



ACCURATE LOCK & HARDWARE

AMERICAN CRAFTED SINCE 1972

2002CPDL | 2002Q SERIES

POCKET DOOR LOCK WITH INTEGRATED EDGE PULL

2002CPDL + 2002Q LOCK

The 2002CPDL sets the standard as the Pocket Door Lock with Integrated Edge Pull for privacy locking applications. Also available as 2002Q featuring a quiet, slow-release edge pull. Pair with a variety of flush pull styles with options of exposed, concealed or Invisi-Mount fasteners.



2002CPDL POCKET DOOR PRIVACY SET
S STYLE FLUSH PULL | EXPOSED FASTENERS

Pocket Door Hardware Sets

2002CPDL + 2002Q



2002CPDL

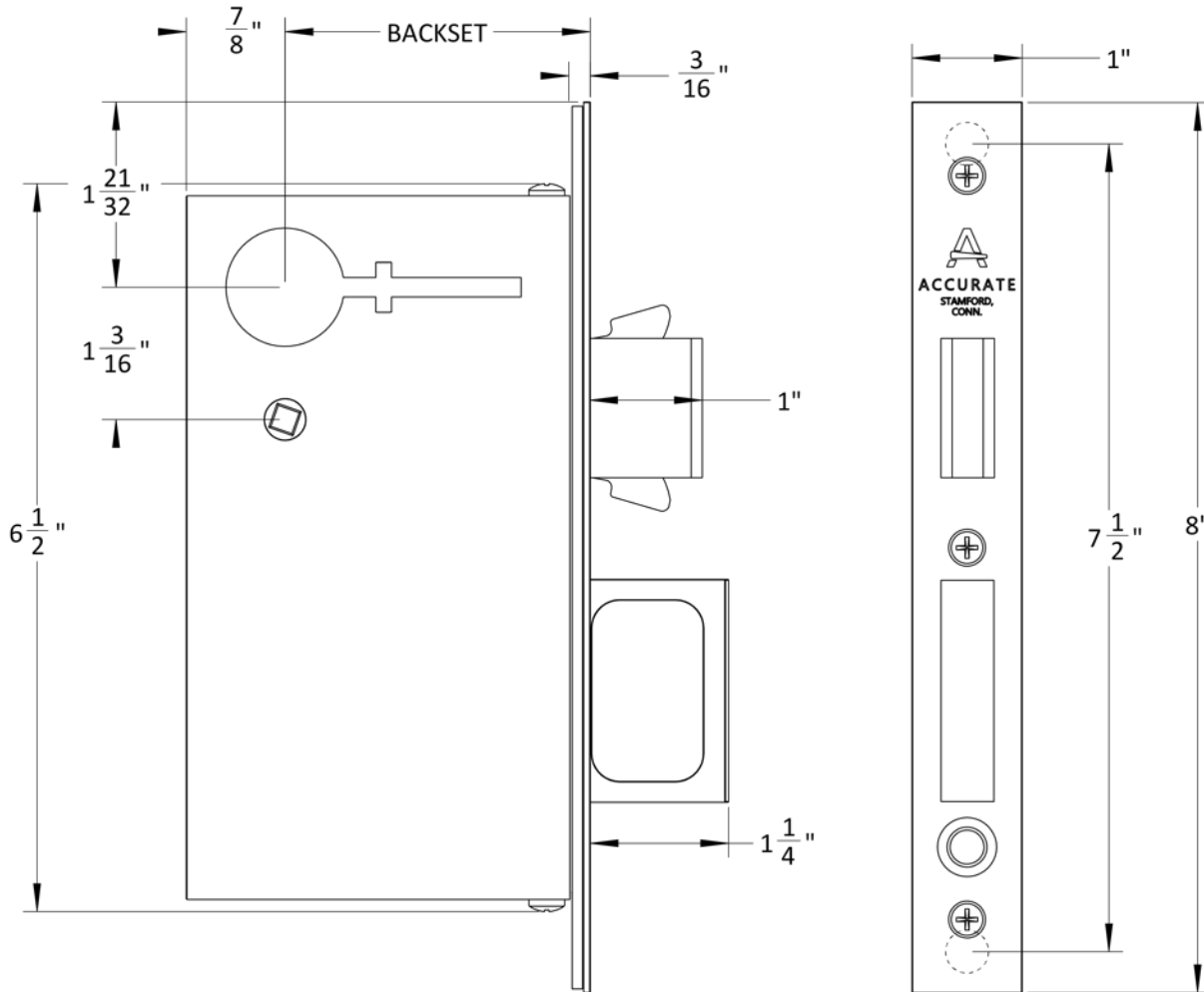


2002Q

Pocket Door Hardware Locksets can be paired with the 2002CPDL Pocket Door Lock with Integrated Edge Pull or the 2002Q Quiet version that features a slow-release of the edge pull resulting in a quieter solution for space-saving pocket doors.

SILENT PAC™ | QUIET POCKET
by ACCURATE | DOOR LOCK

2002CPDL: Technical Details



BACKSET: 2", 2 1/2", 2 3/4", 3 3/4", 5", 6" (other backsets available custom order)

CASE: Heavy gauge, wrought (11/16" thick)

ARMOR FRONT: 1" wide, 8" standard made from brass, bronze or stainless steel and finished as required

DEADBOLT: 1/2" thick, 1 7/32" high, 1" throw

PULL: 1/2" thick, 2" high, 1 1/4" throw

STRIKE: 3 1/2" x 1" deadlock type strike for single doors included (specify SD). 8" tall strike available at an upcharge (Specify SD-8). For double door openings, refer to 2002CPDS.

THUMB TURN HUB: 3/16" (5mm) on the diamond standard (specialty 6mm square hub available as special order)

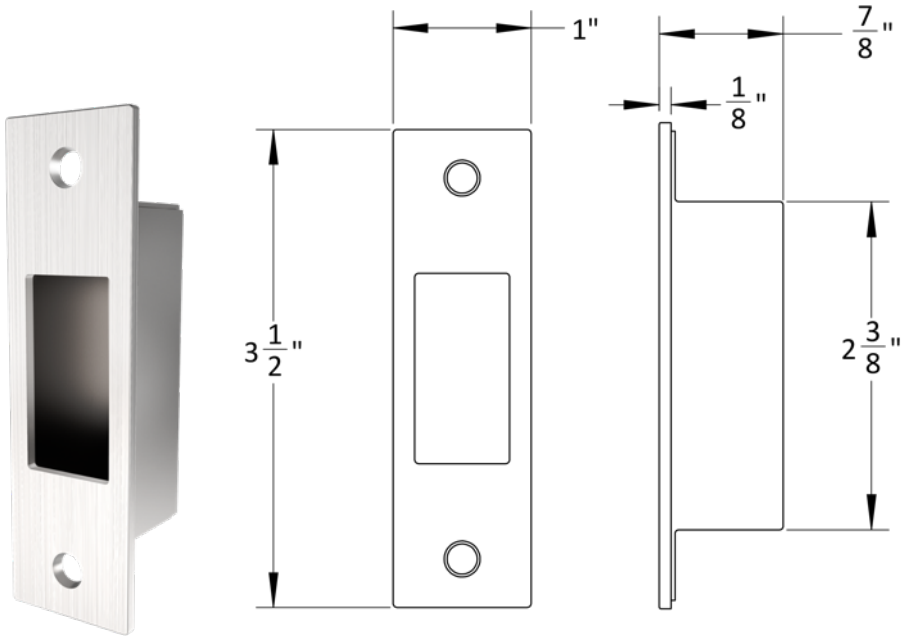
DUST BOX: For single doors, available in brass, stainless steel or US10B



Pocket Door Strikes | Single Doors

SD STRIKE + DUST BOX

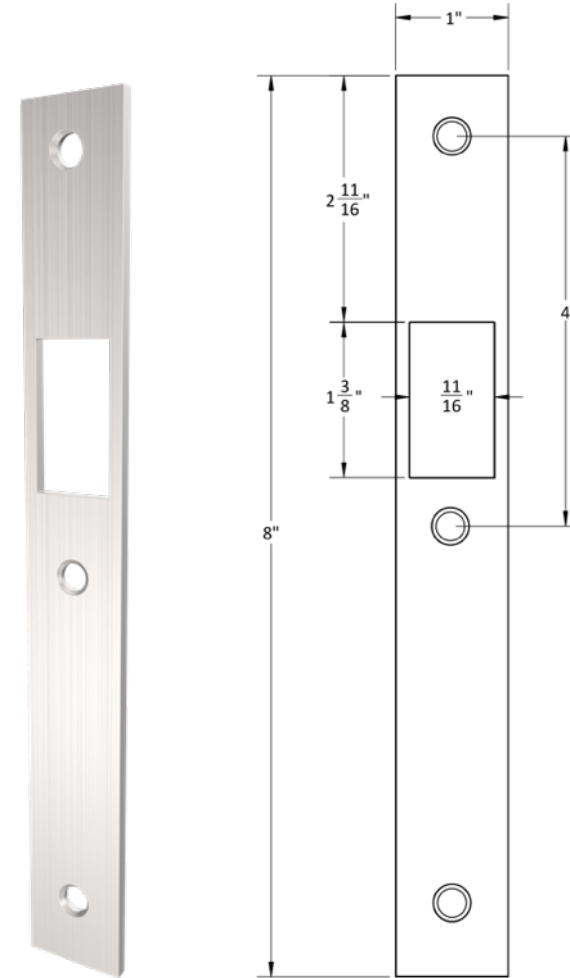
Furnished Standard



SD-8 STRIKE

8" strike plate to oppose 2002CPDL/2002Q.

Available special order.



HOW TO SPECIFY

LOCK.BACKSET.FINISH.OPTIONS



EXAMPLES

Quiet Pocket Door Lock with Integrated Edge Pull

E.g.: 2002Q.212.US26D

Pocket Door Lock with Integrated Edge Pull | 8" Strike

E.g.: 2002CPDL.234.US3.SD-8

Pocket Door Edge Pull | All Bolts Finished

E.g.: 2002CPDL.2.US19.US19BOLTS

FINISHES

GROUP 1: US4, US4NL, US32D*, US26D

GROUP 2: US3, US3NL, US26, US32*, US9*, US10*, US10B, US14, US15, US19

GROUP 3: BN, BB, TN, TB, DURO, ESN, US15A, US5

Applicable finishes come standard with [Cerakote Premium Protective Coating](#). Available in gloss or matte.

* Trim options (including Accurate Levers) may not be available in US32D, US32, US9, or US10 finish. Please call for assistance.

To view example of finishes visit: [Accurate Finishes](#).

**ACCURATE LOCK & HARDWARE
MANUFACTURERS OF LOCKS AND
CUSTOM ARCHITECTURAL HARDWARE**

1 Annie Place | Stamford, CT 06902

P: 203.348.8865

F: 203.348.5234

E: sales@accuratelockandhardware.com

www.accuratelockandhardware.com



AMERICAN CRAFTED
— SINCE 1972 —