



# ACCURATE LOCK & HARDWARE

AMERICAN CRAFTED SINCE 1972

---

## 2000 + 200Q SERIES

POCKET DOOR EDGE PULL

BRASS	US15	22pcs
FC3004		

## 2000 POCKET DOOR EDGE PULL

The standard 2000 is a 5" Pocket Door

Edge Pull designed for passage, non-

locking applications on space-saving

doors. Also available as 2000Q Quiet

Pocket Door Edge Pull featuring a quiet,

slow-release edge pull. Pair with Blank

Flush Pulls.



# Pocket Door Edge Pull

## 2000 + 2002Q



**2000**



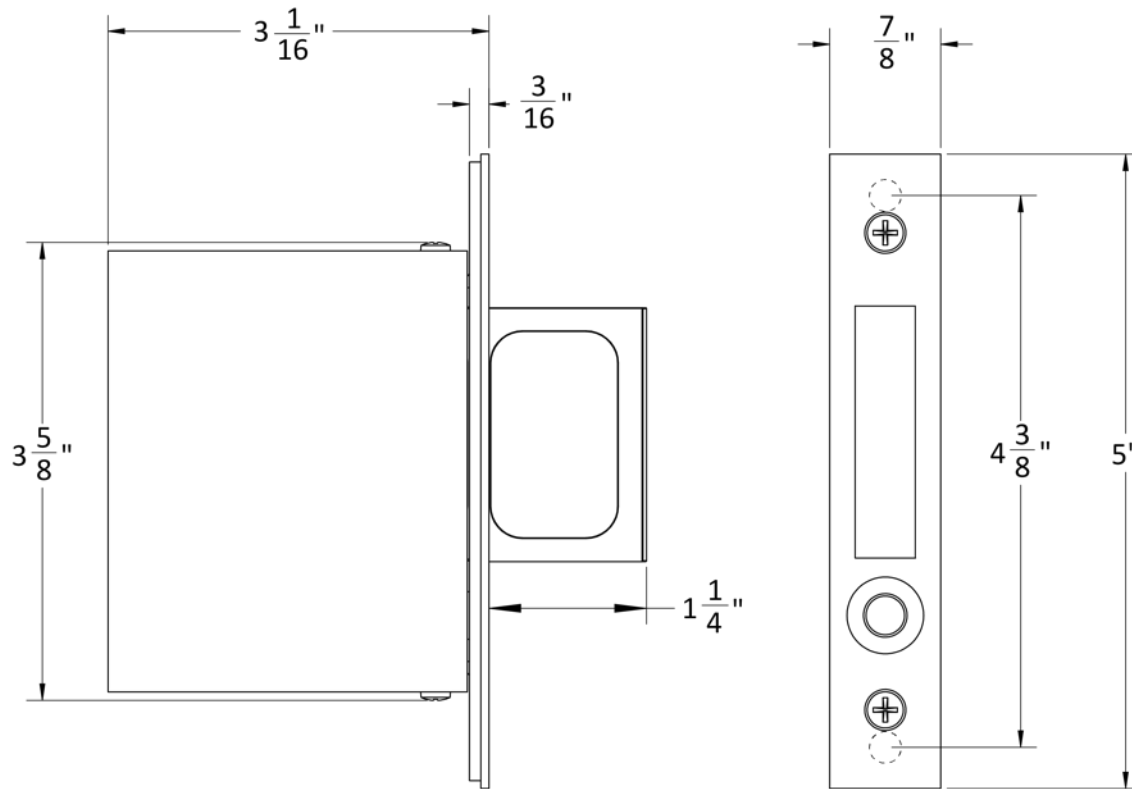
**2000Q**

### 2000 + 2000Q 5" POCKET DOOR EDGE PULL

- For passage, non-locking pocket doors (pair with Blank Flush Pulls)
- Available with Quiet Pocket Door Pull that features a Quiet slow release edge pull pops out of the lock with press of a button allowing for comfortable operation to pull door out of pocket.

SILENT **PAC**™  
by ACCURATE | QUIET POCKET  
DOOR PULL

# 2000: Technical Details



$3\frac{1}{16}$ " overall depth standard

**CASE:** Heavy gauge, wrought ( $\frac{1}{16}$ " thick)

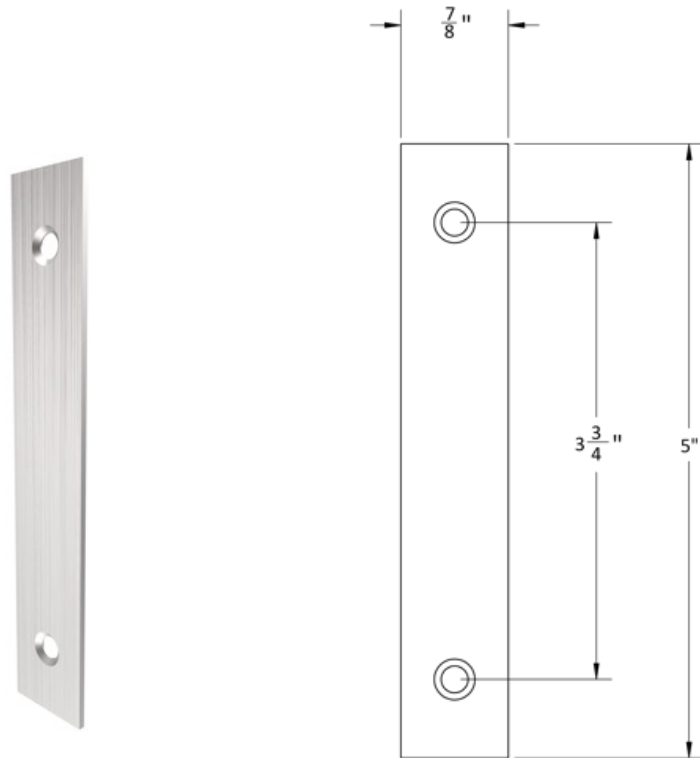
**ARMOR FRONT:** 1" wide, 5" standard made from brass, bronze or stainless steel and finished as required

**PULL:**  $\frac{1}{2}$ " thick, 2" high,  $1\frac{1}{4}$ " throw

# Pocket Door Jamb Protector Plate

**2000JPP**

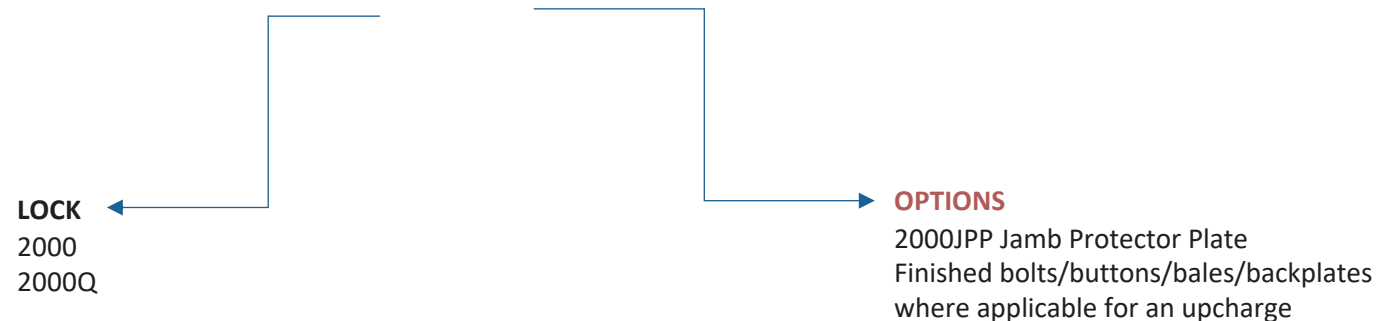
To oppose 2000





# HOW TO SPECIFY

## LOCK. FINISH. OPTIONS



## EXAMPLES

Quiet Pocket Door Edge Pull

E.g.: 2000Q.**US26D**

Pocket Door Edge Pull | Jamb Protector Plate

E.g.: 2000.**US3.2000JPP**

Pocket Door Edge Pull | All Bolts Finished

E.g.: 2000.**US19.US19BOLTS**

## FINISHES

**GROUP 1:** US4, US4NL, US32D\*, US26D

**GROUP 2:** US3, US3NL, US26, US32\*, US9\*, US10\*, US10B, US14, US15, US19

**GROUP 3:** BN, BB, TN, TB, DURO, ESN, US15A, US5

Applicable finishes come standard with [Cerakote Premium Protective Coating](#). Available in gloss or matte.

*\* Trim options (including Accurate Levers) may not be available in US32D, US32, US9, or US10 finish. Please call for assistance.*

To view example of finishes visit: [Accurate Finishes](#).

**ACCURATE LOCK & HARDWARE  
MANUFACTURERS OF LOCKS AND  
CUSTOM ARCHITECTURAL HARDWARE**

1 Annie Place | Stamford, CT 06902

**P:** 203.348.8865

**F:** 203.348.5234

**E:** sales@accuratelockandhardware.com

**www.accuratelockandhardware.com**



**AMERICAN CRAFTED  
— SINCE 1972 —**