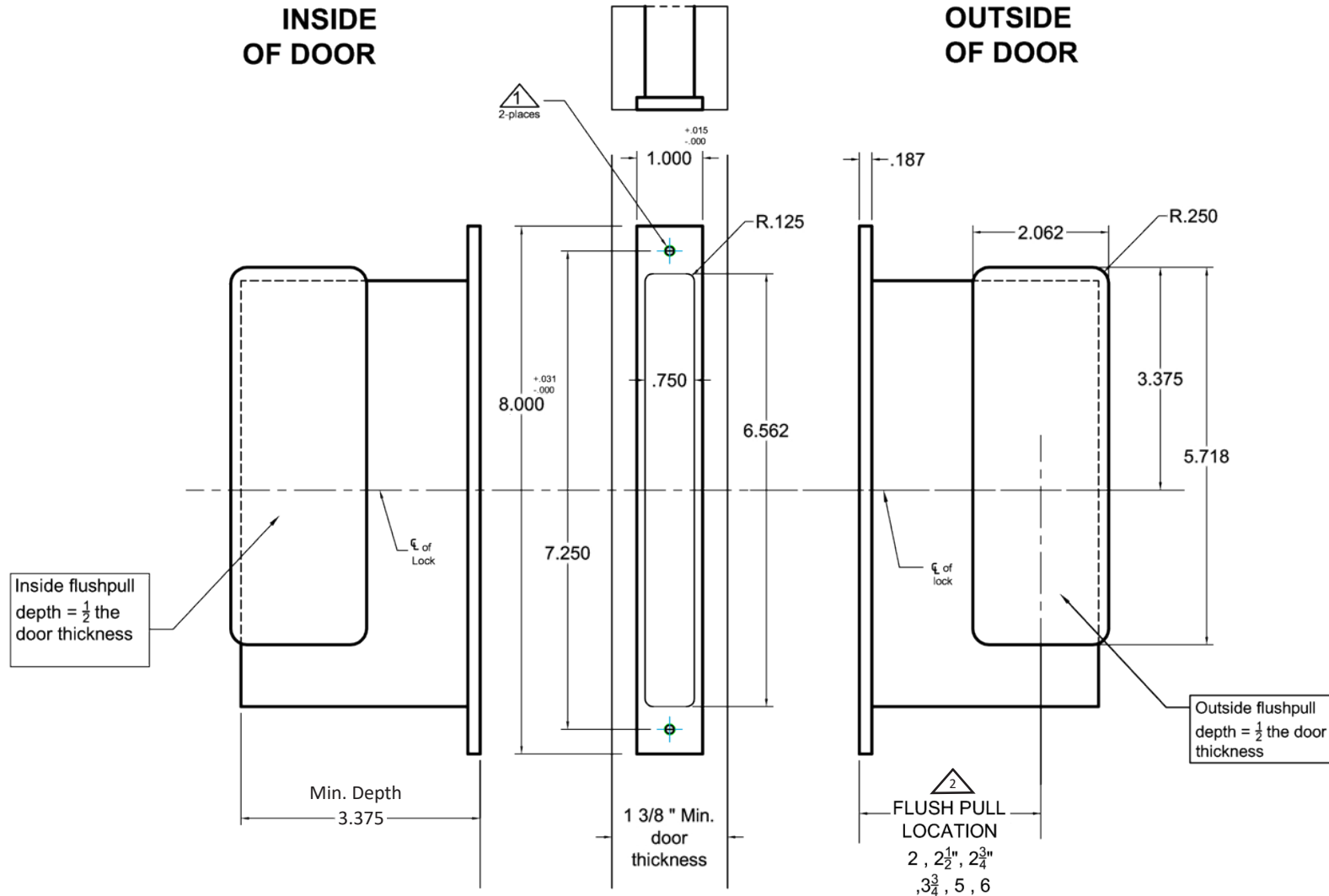


INSIDE  
OF DOOR

OUTSIDE  
OF DOOR



**Notes:**

- ▲ Prep for #8 wood or 8-32 machine screws.
- ▲ Horizontally and vertically spacing of the flush pull is up to the end user. However, we do suggest to line up the backset with the other locks on the project, i.e. 2", 2½", 2¾", 3¾", 4", 5" and 6".

**Additional Notes:**

- a) **Responsibility:** Door and frame manufacturers are responsible for providing adequate construction or re-inforcement for proper installation of hardware shown.
- b) See Spec.2011PDP/2011PDP-Q for additional information.



Standard 2011PDP/2011PDP-Q Quiet  
Pocket Door Edge Pull CS2002

T-ALH.2011PDP.2011PDP-Q.CS