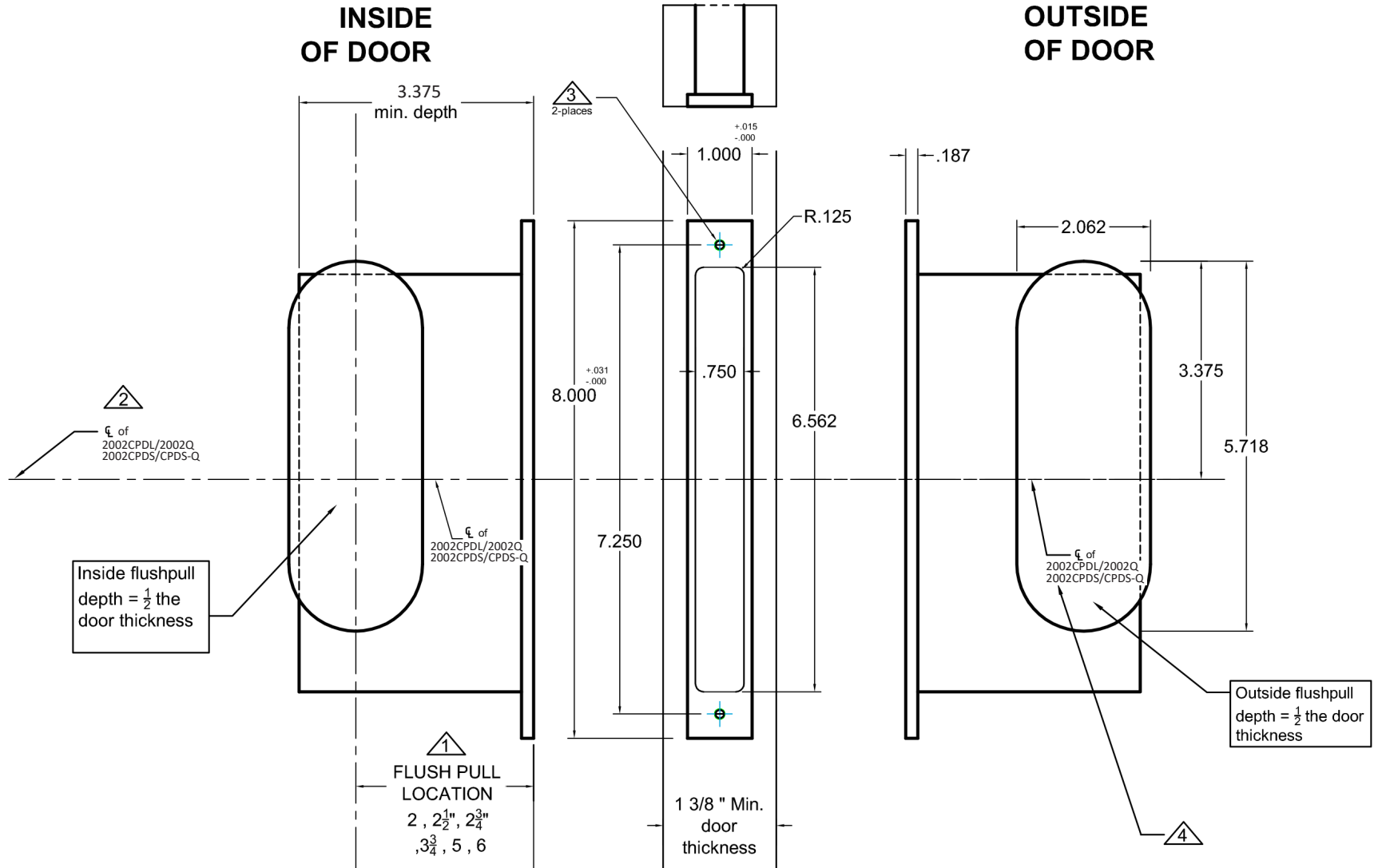


INSIDE OF DOOR

OUTSIDE OF DOOR



Notes:

- ⚠ The flush pull should be located in accordance to the rest of the project 2", 2 $\frac{1}{2}$ ", 2 $\frac{3}{4}$ ", 3 $\frac{3}{4}$ ", 5", 6" (ie if your 2002CPDL/2002Q is a 2 $\frac{3}{4}$ " backset then place your 2002CPDS/CPDS-Q at the 2 $\frac{3}{4}$ " location).
- ⚠ The 2002CPDS/CPDS-Q is in line w/ the corresponding 2002CPDL/2002Q in the active door.
- ⚠ Prep for #8 wood or 8-32 machine screws
- ⚠ If you have flush pulls on both sides of the door, you may simply drill the flush cup thru. NOTE: in a few rare situations, the flush pull may be mounted on one side only.

Additional Notes:

- a) **Responsibility:** Door and frame manufacturers are responsible for providing adequate construction or re-inforcement for proper installation of hardware shown.
- b) See catalog / spec sheets for additional details.
- c) See T-ALH.2002CPDL.2002Q



ACCURATE
LOCK & HARDWARE
AMERICAN CRAFTED SINCE 1972

Standard 2002CPDS/CPDS-Q Quiet
Pocket Door Strike with Integrated Edge
Pull IA2002, IN2002, IO2002

T-ALH.2002CPDS.CPDS-Q.IA.IN.IO