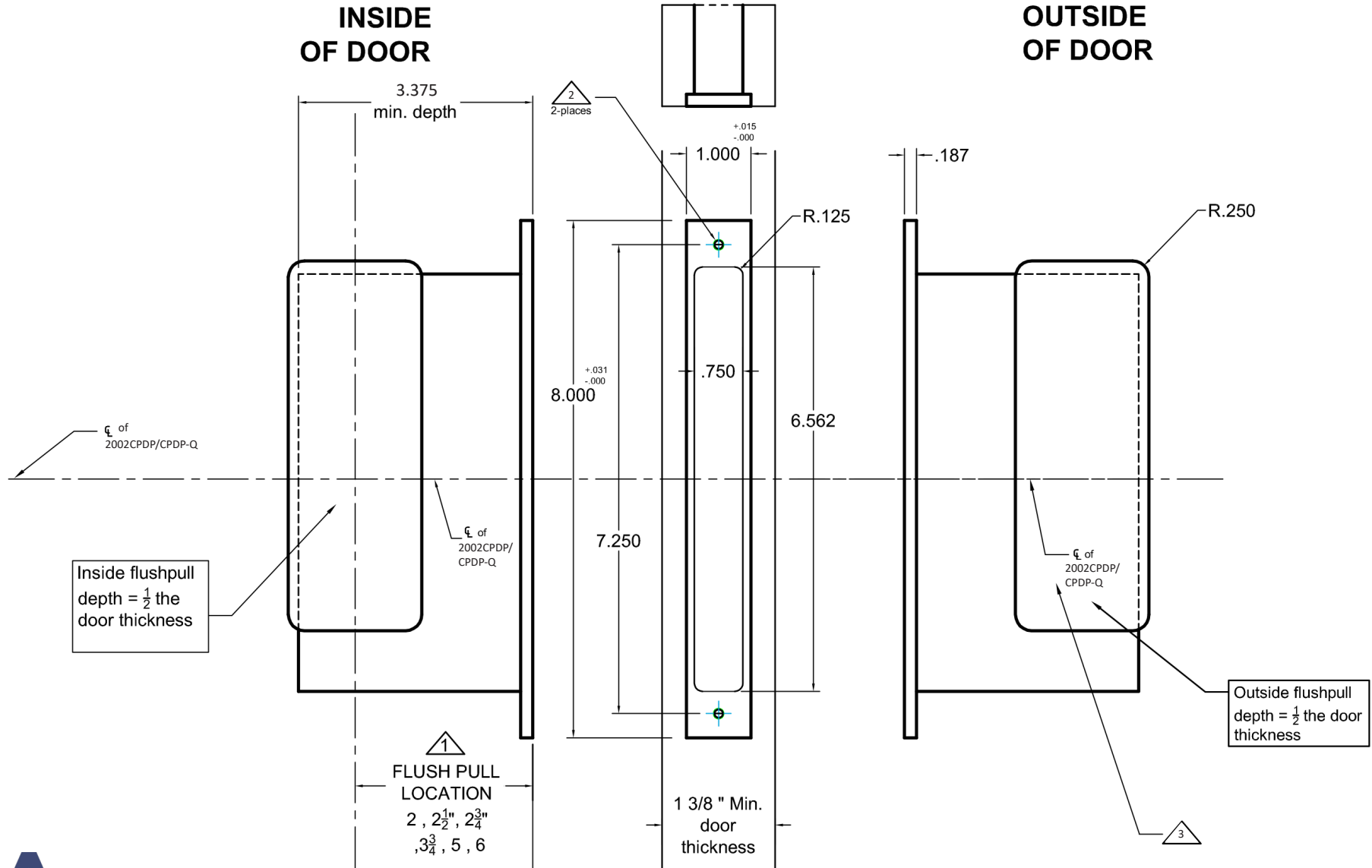


INSIDE OF DOOR

OUTSIDE OF DOOR



Notes:

- △ The flush pull should be located in accordance to the rest of the project 2", 2 1/2", 2 3/4", 3 3/4", 5", 6"
- △ Prep for #8 wood or 8-32 machine screws
- △ If you have flush pulls on both sides of the door, you may simply drill the flush cup thru NOTE: in a few rare situations, the flush pull may be mounted on one side only.

Additional Notes:

- a) **Responsibility:** Door and frame manufacturers are responsible for providing adequate construction or re-inforcement for proper installation of hardware shown.
- b) See Spec.2002CPDP/2002CPDP-Q and Spec.CS2002for additional lock details.



Standard 2002CPDP/2002CPDP-Q
Quiet Pocket Door Edge Pull S2002

T-ALH.2002CPDP.CPDP-Q.S