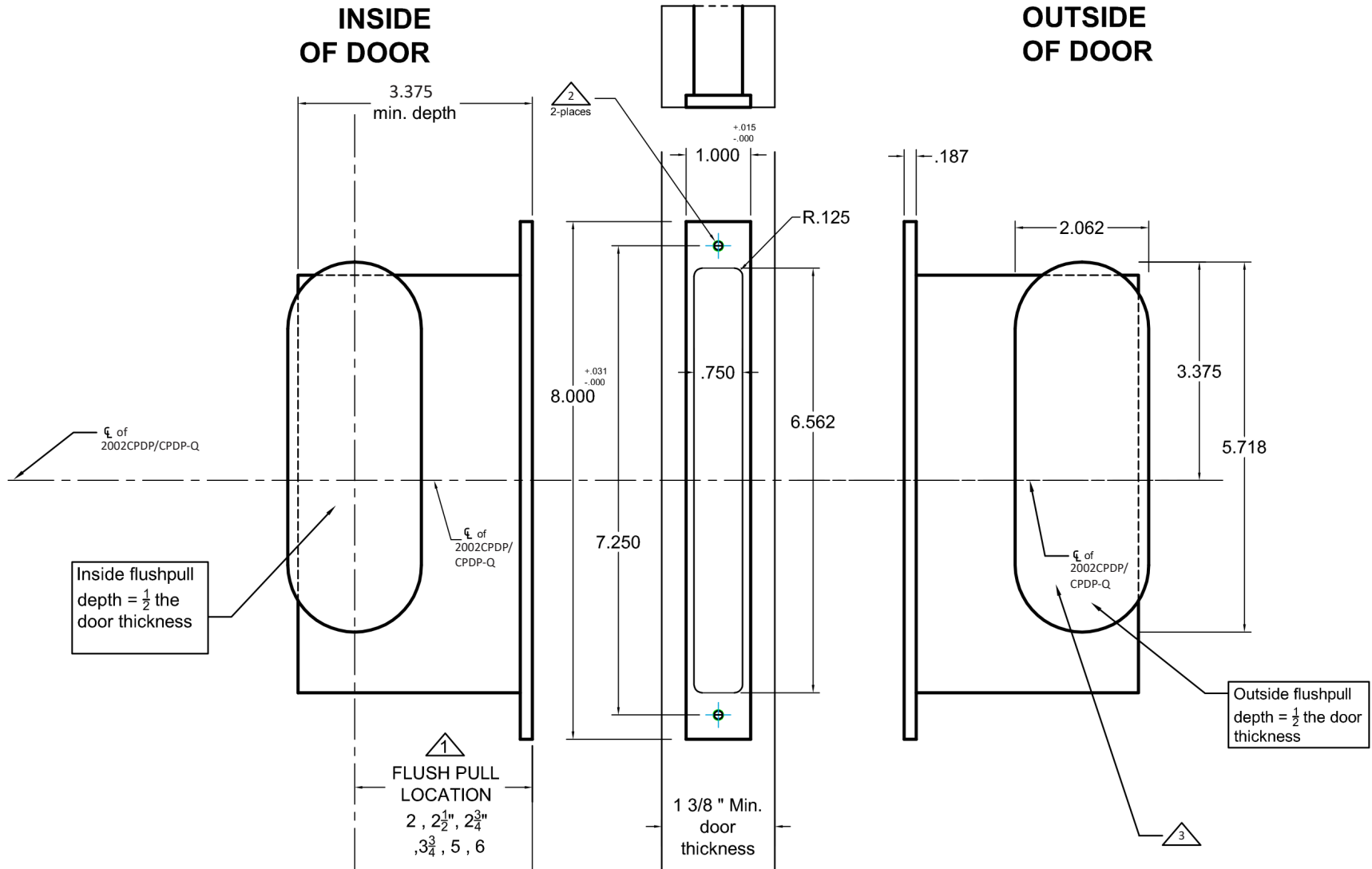


INSIDE OF DOOR

OUTSIDE OF DOOR



Notes:

- △ The flush pull should be located in accordance to the rest of the project 2", 2 $\frac{1}{2}$ ", 2 $\frac{3}{4}$ ", 3 $\frac{3}{4}$ ", 5", 6"
- △ Prep for #8 wood or 8-32 machine screws
- △ If you have flush pulls on both sides of the door, you may simply drill the flush cup thru NOTE: in a few rare situations, the flush pull may be mounted on one side only.

Additional Notes:

- a) **Responsibility:** Door and frame manufacturers are responsible for providing adequate construction or re-inforcement for proper installation of hardware shown.
- b) See Spec.2002CPDP/2002CPDP-Q and Spec.IA2002/IN2002/IO2002 for additional lock details.



ACCURATE
LOCK & HARDWARE
AMERICAN CRAFTED SINCE 1972

Standard 2002CPDP/2002CPDP-Q
Quiet Pocket Door Edge Pull IA2002,
IN2002, IO2002

T-ALH.2002CPDP.CPDP-Q.IA.IN.IO