



ACCURATE

LOCK & HARDWARE

AMERICAN CRAFTED SINCE 1972

6500 SERIES

SCREEN DOOR HARDWARE

BRASS	US15	22pcs
QUANTITY: 22		
PART NUMBER: FC3004		

6500 SERIES SCREEN DOOR HARDWARE

These sets are comprised of small mortise locks that are popular for screen doors or can be used on interior doors that may require smaller locks and trim. Available in privacy or passage functions to pair with a variety of lever, knob, escutcheon or rose trim styles.



6539 PRIVACY SCREEN DOOR LOCK WITH
STAMFORD LEVER AND TRADITIONAL ESCUTCHEON

6500 Series Screen Door Locks



PRIVACY

6539 Privacy Screen Door Lock Paired with Stamford Lever + Traditional Escutcheon with Emergency Access on Screen Door (Main Entry Door Features 5000TG Thumb Grip Entry Set)

PASSAGE

6525 Passage Screen Door Lock Paired with Stamford Lever + Traditional Escutcheon on Screen Door (Main Entry Door Features 5000TG Thumb Grip Entry Set)



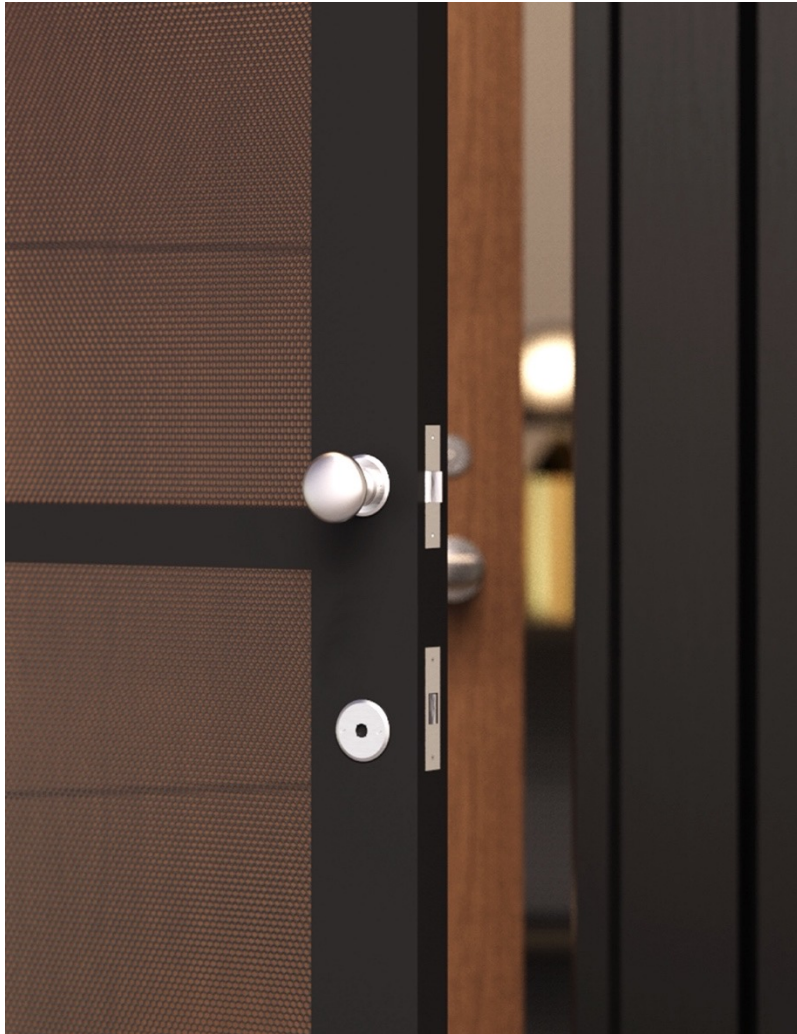


6500 SERIES SCREEN DOOR HARDWARE

Locks are made from almost entirely stainless steel (non-corrosive) with limited parts in brass (non-ferrous) for use in narrow stile doors. Also available with rabbeted fronts and strikes.

6500LB + 6500DB shown on entry screen door paired with Colonial Knob + 6R Rose.

6500LB + 6500DB Screen Door Locks



Shown installed together on a screen door.

6500LB LATCH BOLT

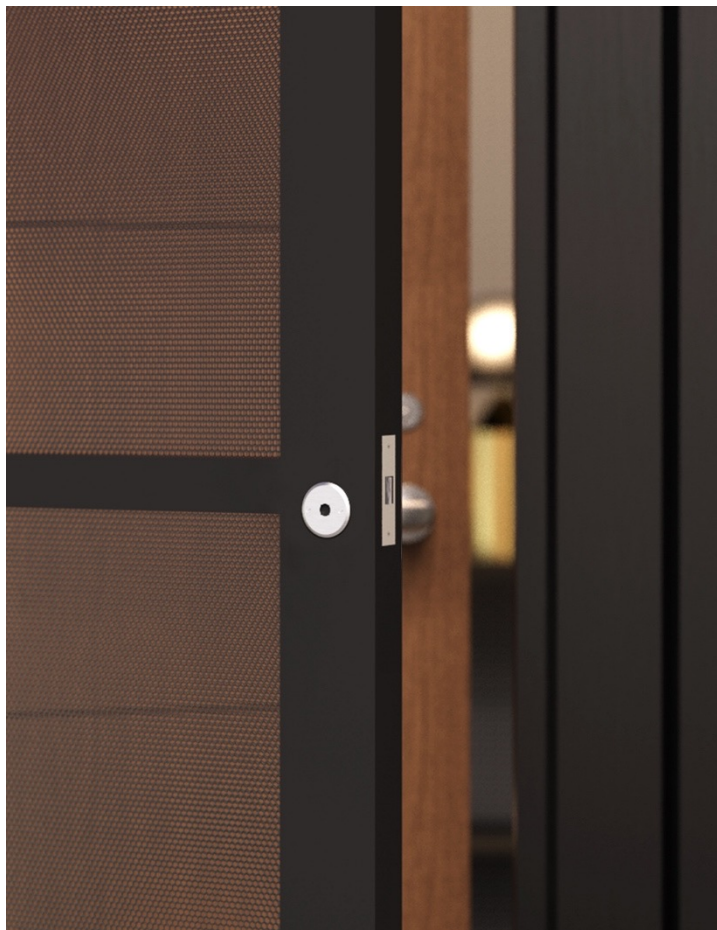
Latch bolt only lock sits above and is paired with a Colonial Knob and 6R Rose.

6500DB DEADBOLT

Deadbolt only lock sits below and is paired 6R-E Rose featuring Emergency Access.

6500DB Screen Door Lock

OUTSIDE VIEW



6500DB with 6RS-E Rose with Emergency Access.

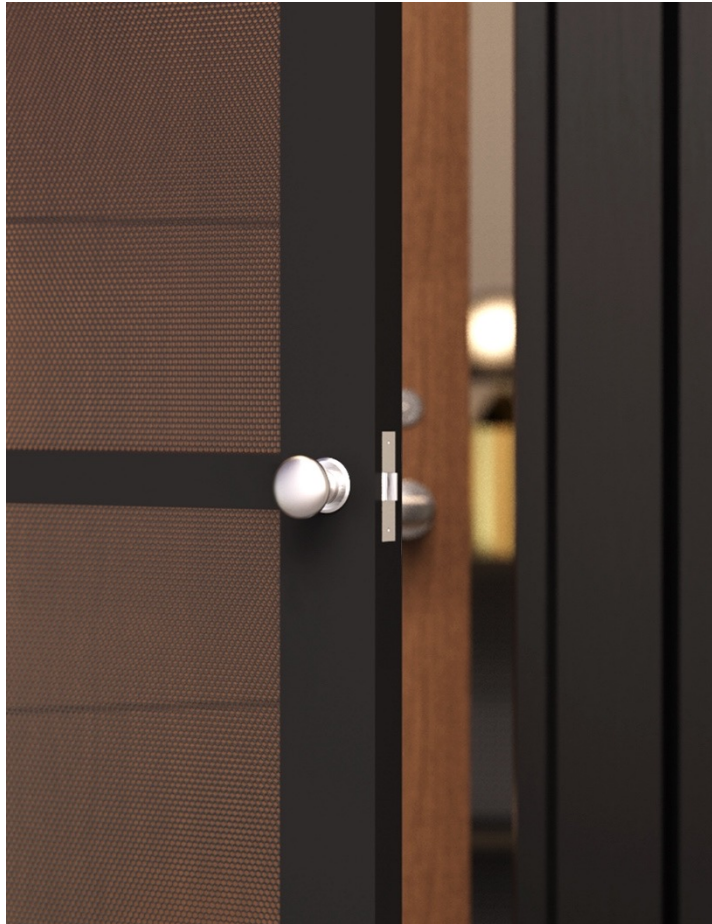
OUTSIDE VIEW



6500DB with 6RS-T Rose with Thumb Turn.

6500LB Screen Door Lock

OUTSIDE VIEW



6500LB Latch Bolt only paired with 6C Colonial Knob and

6RS Rose for non-locking function.

6500 Series: Technical Details



6525
PASSAGE SCREEN DOOR LOCK



6539
PRIVACY SCREEN DOOR LOCK

BACKSETS: 1 $\frac{1}{2}$ " , 1 $\frac{3}{4}$ " , 2". For door stiles 2 $\frac{11}{16}$ " wide and up

CASE: Stainless steel (1/2" thick)

LATCH BOLT: Brass or stainless steel, 3/8" throw

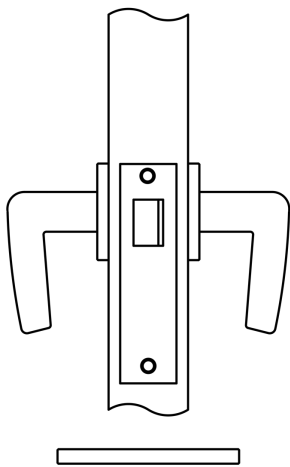
DEADBOLT: Brass or stainless steel, 7/16" throw

HUBS: Available in different sizes to be compatible with various trim.

THUMB TURN HUB: 3/16" (5mm) on the diamond

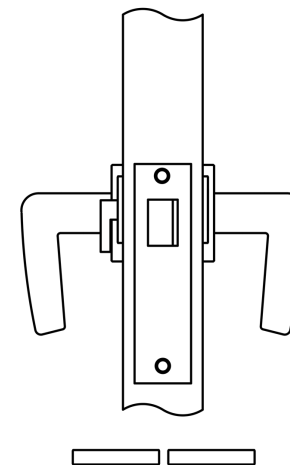
DUST BOX: Brass, stainless steel or US10B oil rubbed bronze

6500 Series: Functions



6525
PASSAGE SCREEN DOOR LOCK

Latch bolt by lever either side.

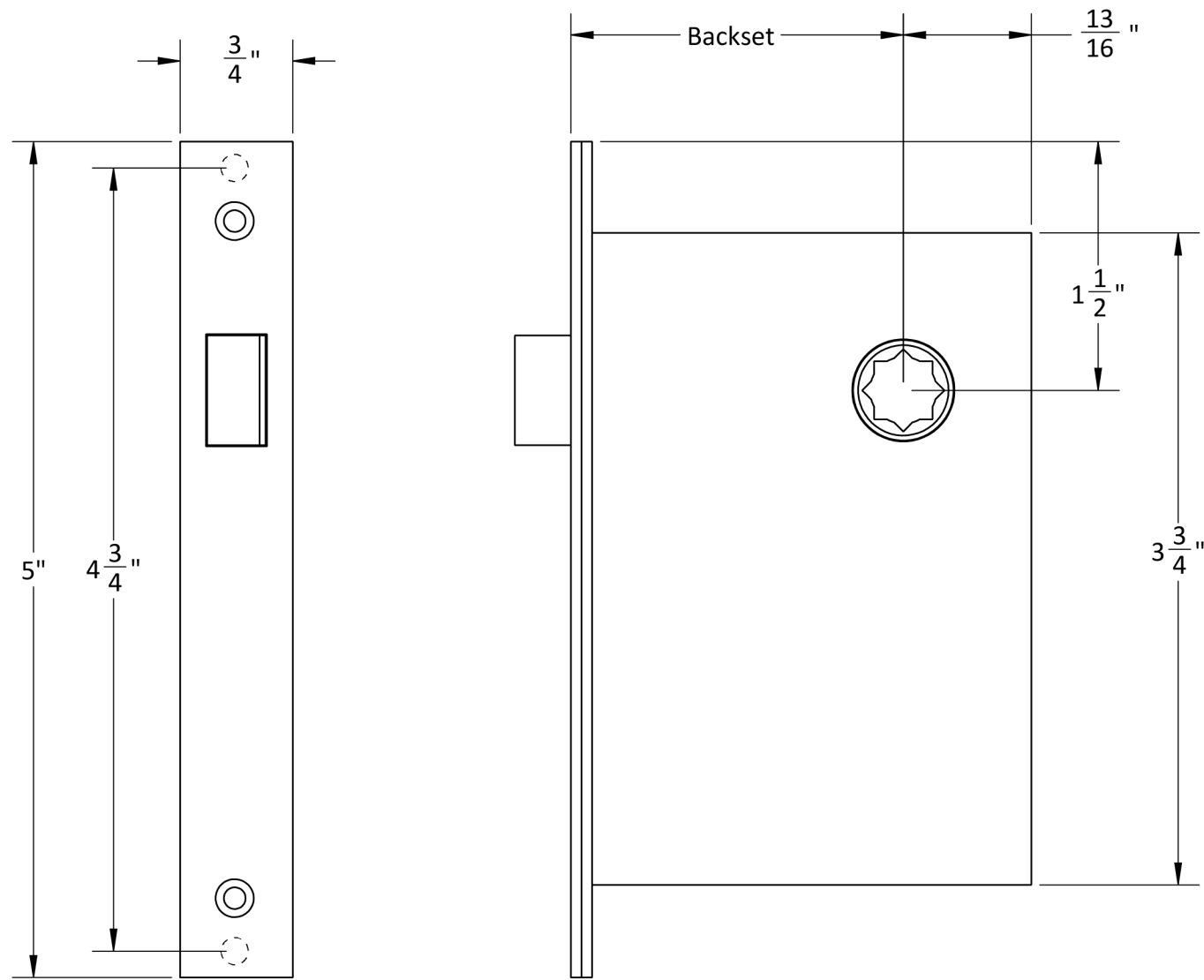


6539
PRIVACY SCREEN DOOR LOCK

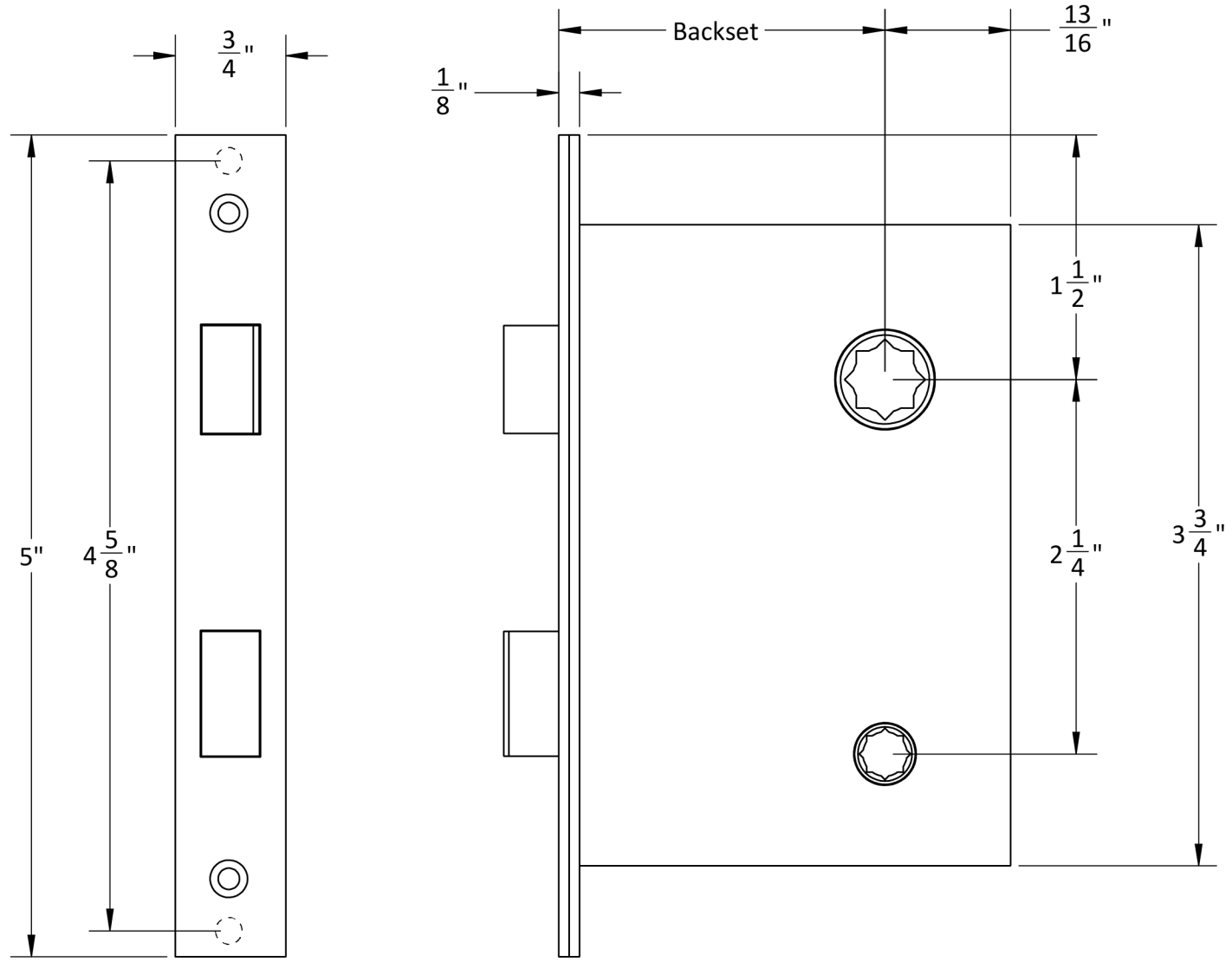
Latch bolt by knob or lever either side.

Deadbolt by turn piece inside and
optional emergency key outside.

6525 Dimensions



6539 Dimensions



6500LB | 6500DB: Technical Details



**6500DB
DEADBOLT ONLY**



**6500LB
LATCHBOLT ONLY**

BACKSETS: 1 $\frac{1}{2}$ "", 1 $\frac{3}{4}$ "", 2". For door stiles 2 $\frac{11}{16}$ " wide and up

CASE: Stainless steel (1/2" thick)

LATCH BOLT: Brass or stainless steel, 3/8" throw

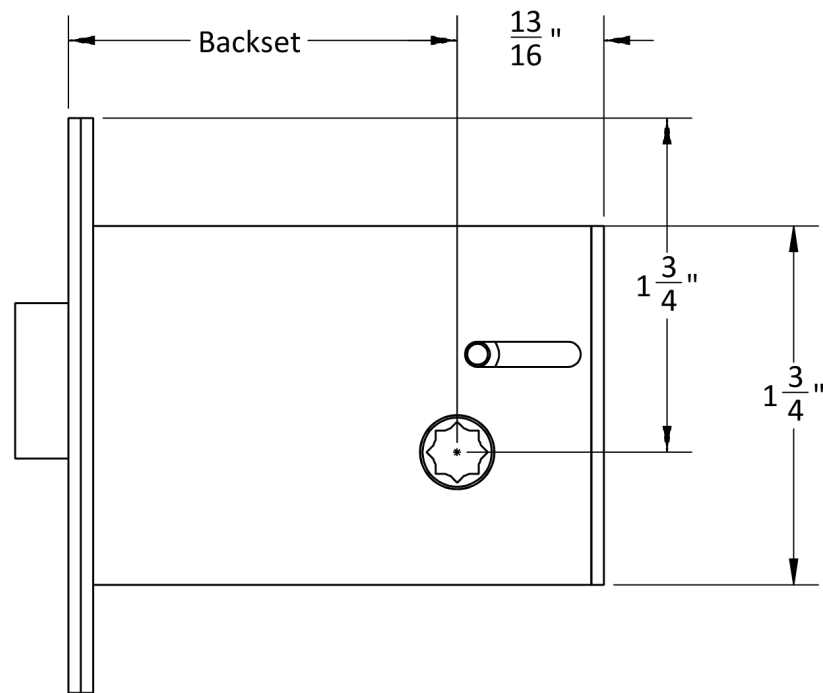
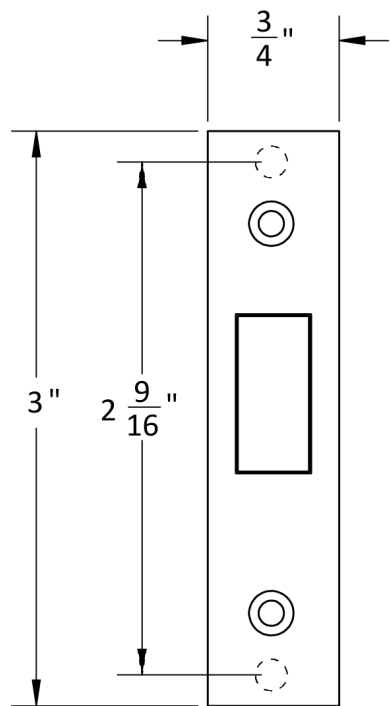
DEADBOLT: Brass or stainless steel, 7/16" throw

HUBS: Available in different sizes to be compatible with various trim.

THUMB TURN HUB: 3/16" (5mm) on the diamond

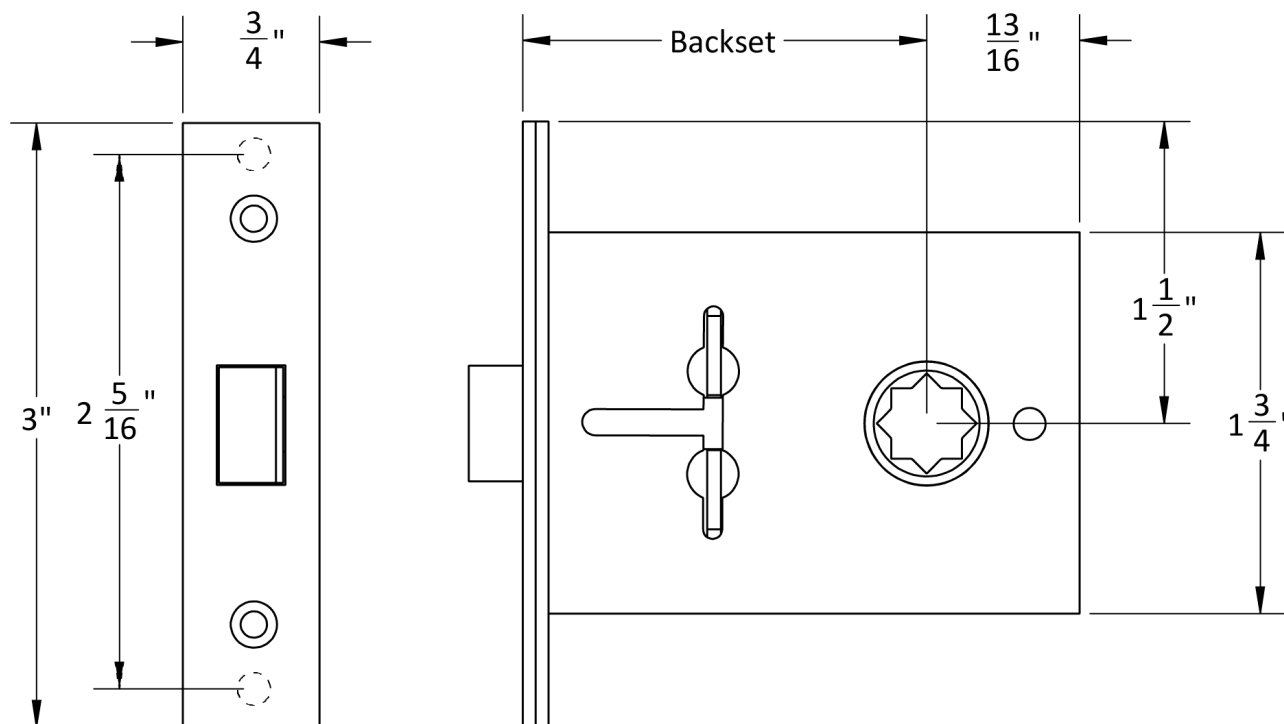
DUST BOX: Brass, stainless steel or US10B oil rubbed bronze

6500DB Dimensions



6500DB DEADBOLT ONLY

6500LB Dimensions



6500LB LATCH BOLT ONLY

Screen Door Levers + Knobs

**6Y
YORK LEVER**



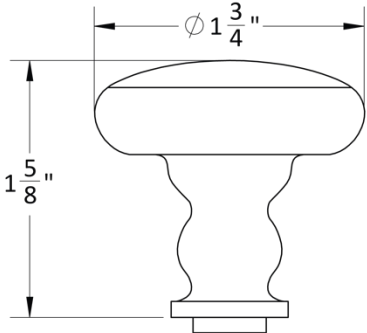
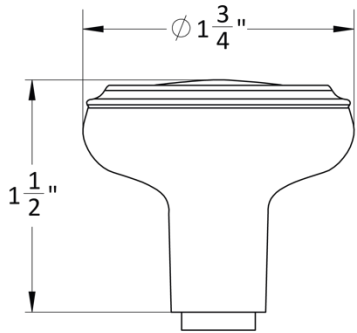
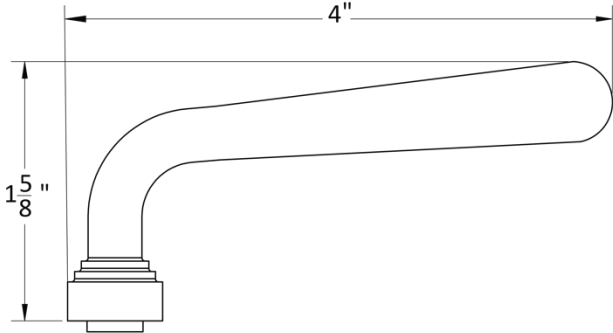
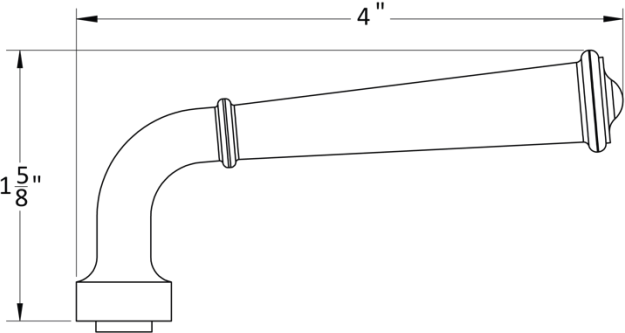
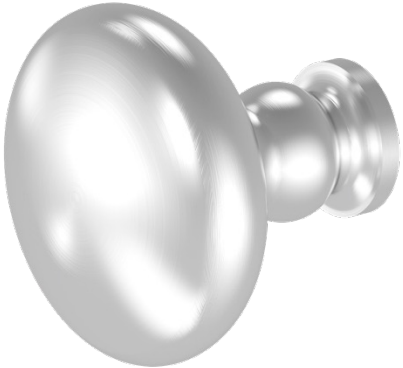
**6S
STAMFORD LEVER**



**6R
REDONDO KNOB**



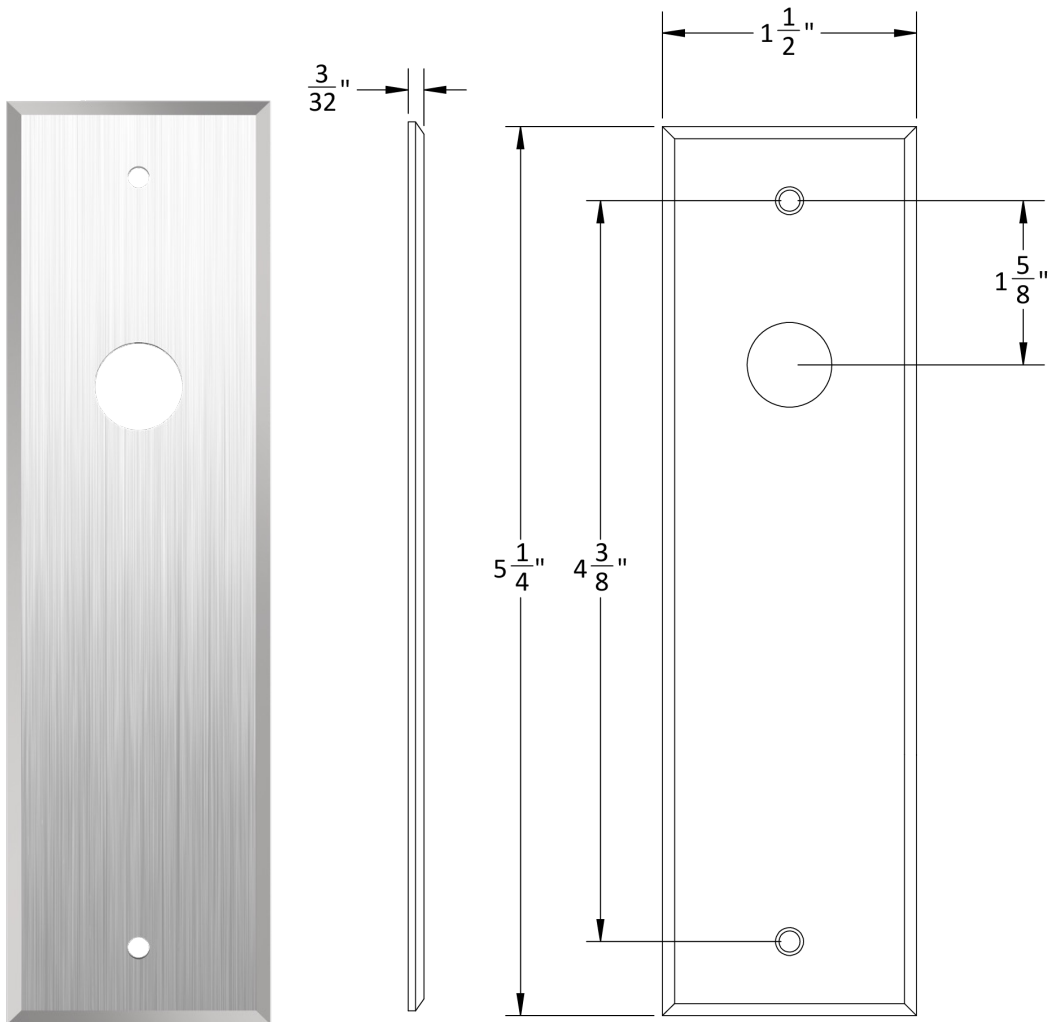
**6C
COLONIAL KNOB**



SPECIFY: 6X-D for Dummy Trim

Screen Door Traditional Escutcheons

6T
TRADITIONAL ESCUTCHEON



60-T
THUMB TURN

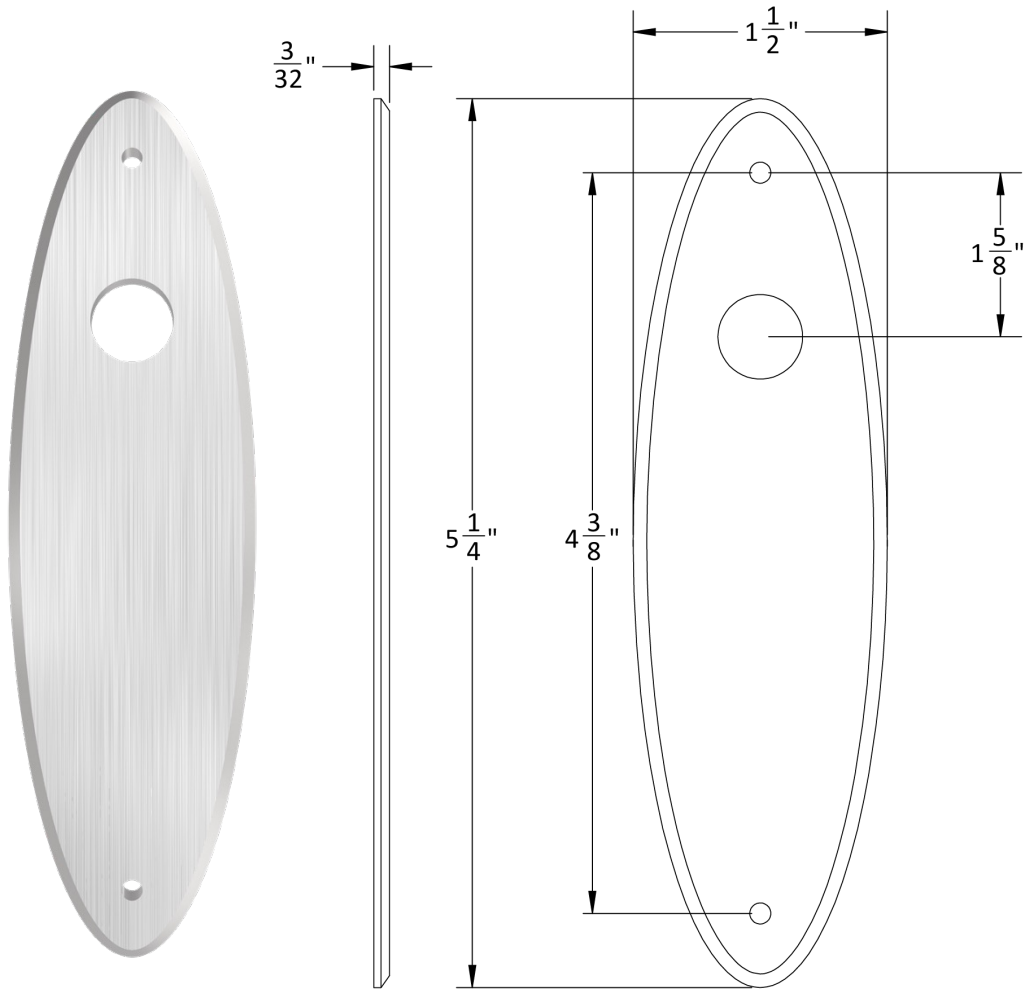


6T-E
EMERGENCY ACCESS



Screen Door Ovalo Escutcheons

**60
OVALO ESCUTCHEON**



**60-T
THUMB TURN**

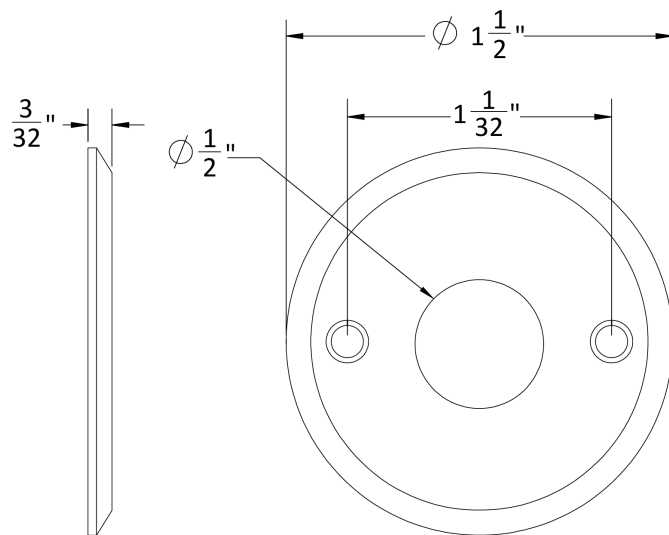
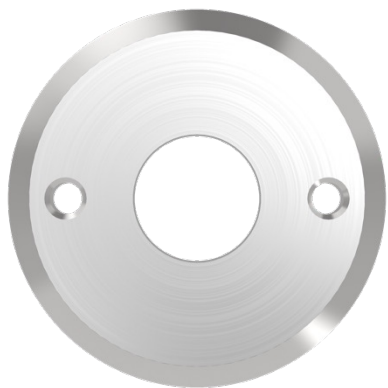


**60-E
EMERGENCY ACCESS**



Screen Door Roses

**6RS
ROSE**



**6RS-T
THUMB TURN**



**6RS-E
EMERGENCY ACCESS**



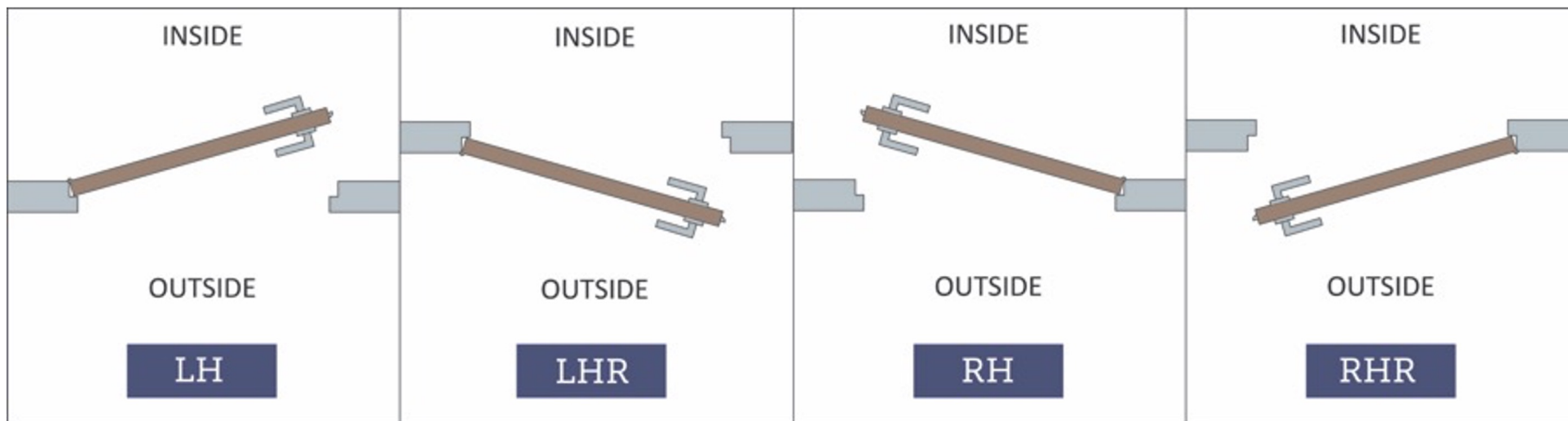
SPECIFY:

6RS-HD for one-sided dummy

6RS-FC for dummy rose pair

HOW TO SPECIFY

HANDING



FINISHES

GROUP 1: US4, US4NL, US32D*, US26D

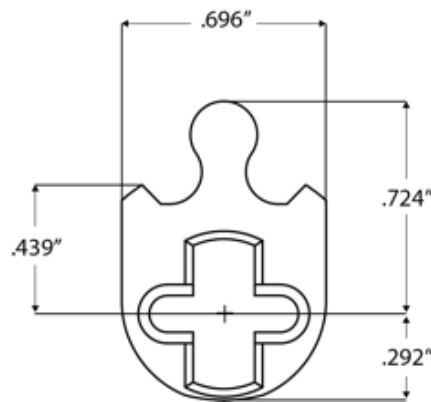
GROUP 2: US3, US3NL, US26, US32*, US9*, US10*, US10B, US14, US15, US19

GROUP 3: BN, BB, TN, TB, DURO, ESN, US15A, US5

Applicable finishes come standard with [Cerakote Premium Protective Coating](#). Available in gloss or matte.

** Trim options (including Accurate Levers) may not be available in US32D, US32, US9, or US10 finish. Please call for assistance.*

CYLINDERS & KEYING



6500 Series locks accept any standard American mortise cylinder. For details on required cams and compatibility with other manufacturers' cylinders, please visit: [Accurate Support](#).

HOW TO SPECIFY

FUNCTION.BACKSET.TRIM.FINISH.HAND.DOORTHICKNESS

FUNCTIONS

6525
6539
6500LB
6500DB

BACKSET

1 1/2", 1 3/4", 2"

TRIM

Specify:
6Y, 6S, 6R, 6C Lever or Knob
6T, 6O, 6RS Escutcheon or Rose

FINISHES

See available finishes (pg. 19)

EXAMPLES

Passage Screen Door Latch | Stamford Lever | Traditional Escutcheon

E.g.: 6525.2.6S/6T.US15.RH.118

Privacy Screen Door Lock | Colonial Knob | Ovalo Escutcheon

E.g.: 6539.2.6C/6O.US4.LH.118

Latch Bolt Only Screen Door Lock | Redondo Knob | Traditional Escutcheon

E.g.: 6500LB.134.6R/6T.US10B.RH.118

Deadbolt Only Screen Door Lock | Other Manufacturers' Trim

E.g.: 6500DB.2.LxL.8mm.US5.118

NOTES

- All standard 6500 Series Mortise Locks include standard strikes for 1-1/8" thick doors.

**ACCURATE LOCK & HARDWARE
MANUFACTURERS OF LOCKS AND
CUSTOM ARCHITECTURAL HARDWARE**

1 Annie Place | Stamford, CT 06902

P: 203.348.8865

F: 203.348.5234

E: sales@accuratelockandhardware.com

www.accuratelockandhardware.com



**AMERICAN CRAFTED
— SINCE 1972 —**