



ACCURATE LOCK & HARDWARE

AMERICAN CRAFTED SINCE 1972

AL500EP EDGE PULL

FOR PASSAGE POCKET DOORS

POCKET DOOR EDGE PULL

AL500EP

Touch the face of this slender edge pull and an obround bail will be presented.

This shape allows for a strong, yet comfortable grip to pull your door from its pocket. Pair with blank flush pulls for passage pocket door openings.

Available in a variety of finishes to match any décor aesthetic.



AL500EP SHOWN
WITH CS2002B BLANK FLUSH PULL



AL500EP

SINGLE DOOR

DOUBLE DOOR



AL500EP

CLOSED



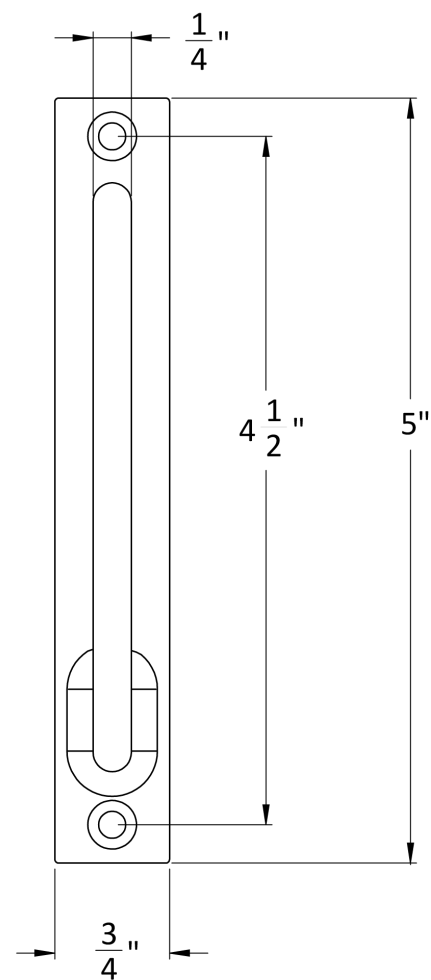
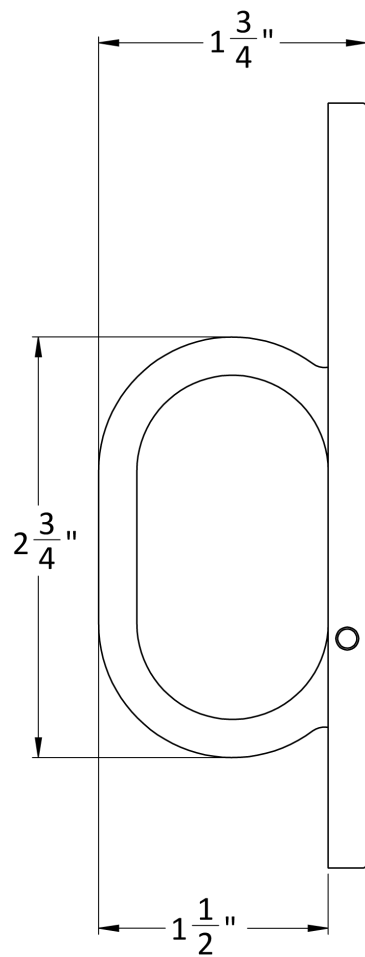
PARTIALLY OPEN



FULLY OPEN



AL500EP



HOW TO SPECIFY

AL500EP.FINISH

EXAMPLES

AL500EP | Satin Brass

E.g: AL5000EP.**US4**

AL500EP | Burnished Brass

E.g.: AL500EP.**BB**

AL500EP | Satin Nickel

E.g.: AL500EP.**US26**

AVAILABLE FINISHES

GROUP 1: US4, US4NL, US26D

GROUP 2: US3, US3NL, US26, US32, US10B, US14, US15, US19

GROUP 3: BN, BB, TN, TB, DURO, ESN, US15A, US5

SPECIAL ORDER FINISHES: US32D, US9, US10

To view examples of finishes visit: [Accurate Finishes](#)

**CUSTOM SIZES + SHAPES ARE AVAILABLE
UPON REQUEST.**

**ACCURATE LOCK & HARDWARE
MANUFACTURERS OF LOCKS AND
CUSTOM ARCHITECTURAL HARDWARE**

1 Annie Place | Stamford, CT 06902

P: 203.348.8865

F: 203.348.5234

E: sales@accuratelockandhardware.com

www.accuratelockandhardware.com



AMERICAN CRAFTSMAN
— SINCE 1972 —