



ACCURATE LOCK & HARDWARE

AMERICAN CRAFTED SINCE 1972

BIT KEY MORTISE LOCKS

MAINTAIN A HISTORICAL AESTHETIC

9524 BIT KEY MORTISE LOCK

Also known as a skeleton key lock, this small body mortise lock features a bit key to serve an aesthetically historical appeal and operation. It is commonly used on interior doors or special openings that may require smaller locks and trim. Pair with a variety of lever, knob, escutcheon or rose trim styles.



9524 PRIVACY BIT KEY LOCK WITH YORK LEVER AND TRADITIONAL ESCUTCHEON

9524 Bit Key Mortise Lock



BACKSETS: 2", 2¹/₂" , 2³/₄"
For door stiles 3 ³/₄" wide and up.

CASE: Heavy gauge stainless steel (1/2" thick)

LATCH BOLT: Brass or stainless steel, 7/16" throw

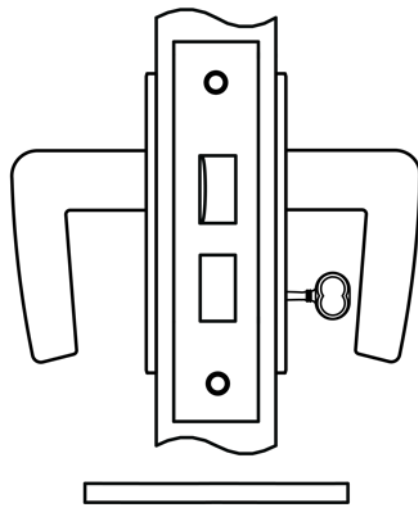
DEADBOLT: Brass or stainless steel, 1/2" throw

HUBS: Available in different sizes to be compatible with various trim

DUST BOX: Brass, stainless steel or US10B oil rubbed bronze

VERTICAL SPACING: 2¹/₄" vertical spacing

9524 Bit Key Mortise Lock



9524

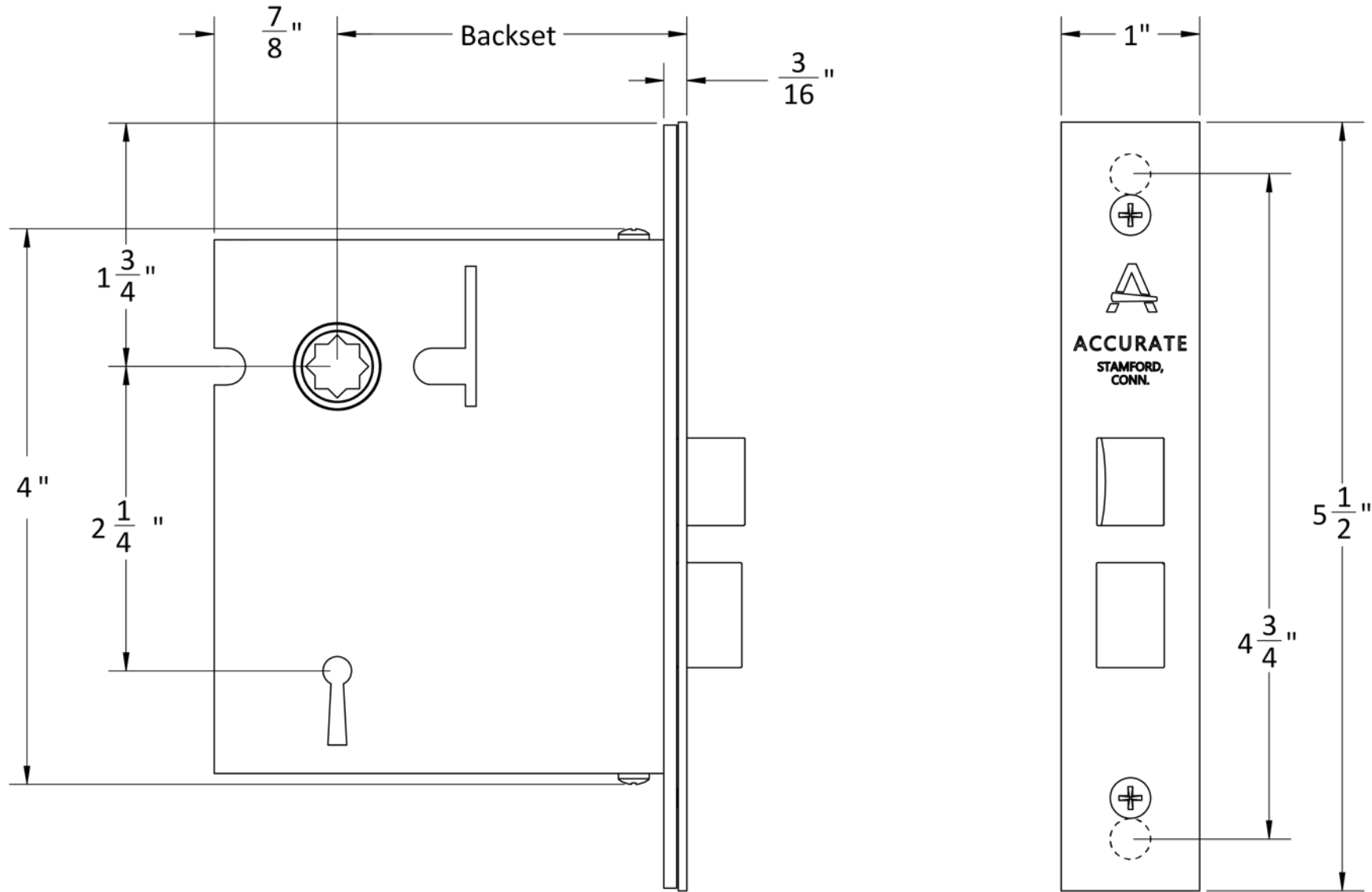
INTERIOR BIT KEY LOCK

Latch bolt by knob or lever either side.

Deadbolt by bit key inside and outside.

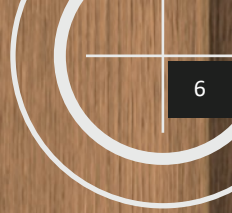
(One solid brass bit key furnished with each lock.)

9524 Bit Key Mortise Lock Dimensions



9524LLB BIT KEY DEADLOCK

This mortise lock shares the same lock body with the 9524 but features no latch bolt. This deadbolt only bit key lock is commonly used on interior doors or special openings that may require smaller locks and trim and no need for a latch bolt. Shown here with rigid dummy lever trim and escutcheon.



9524LLB BIT KEY DOOR LOCK WITH
DUMMY YORK LEVER AND TRADITIONAL ESCUTCHEON

9524LLB Bit Key Deadlock



BACKSETS: 2", 2¹/₂" , 2³/₄"
For door stiles 3 ³/₄" wide and up.

CASE: Heavy gauge stainless steel (1/2" thick)

LATCH BOLT: Brass or stainless steel, 7/16" throw

DEADBOLT: Brass or stainless steel, 1/2" throw

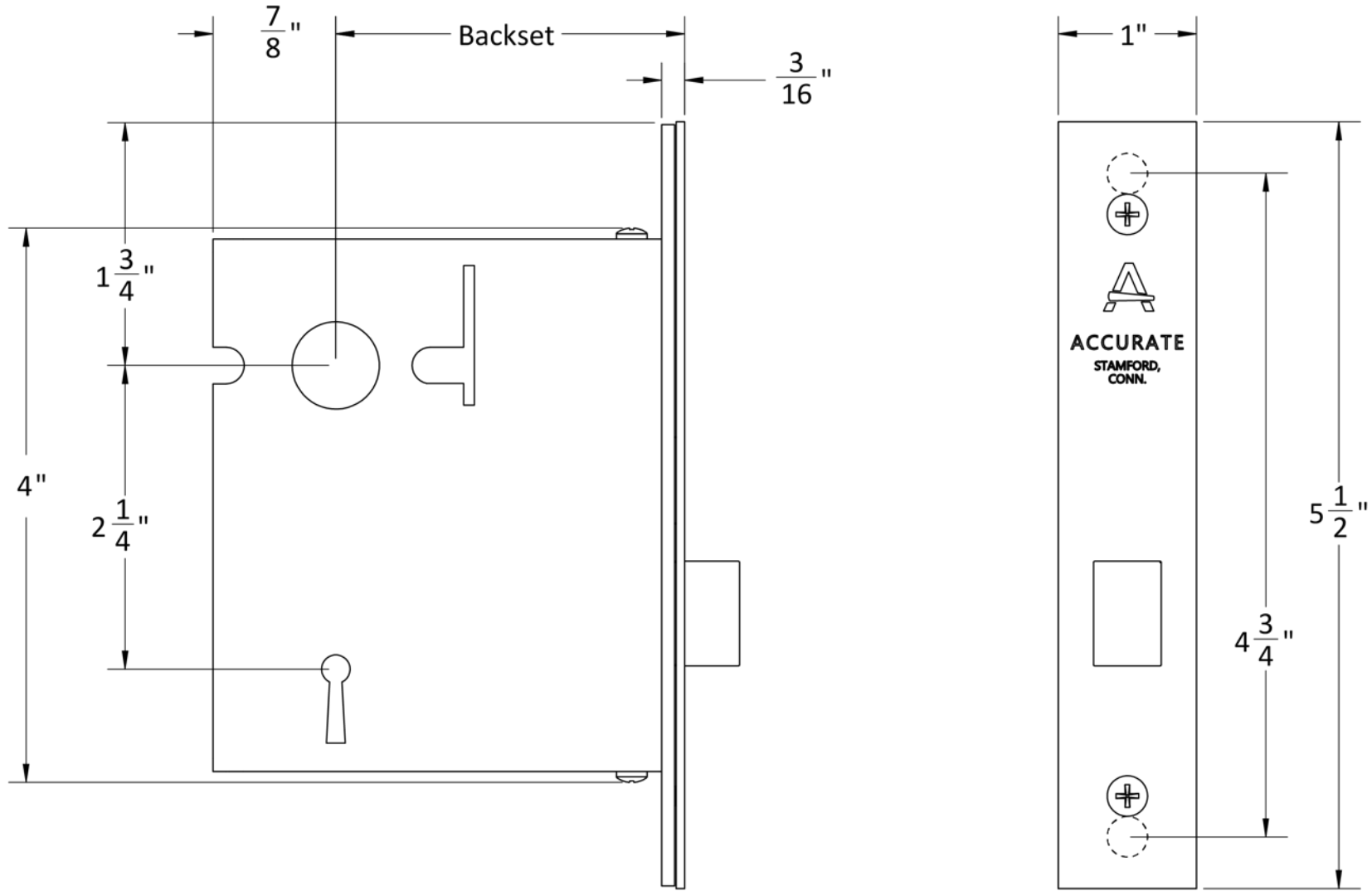
HUBS: Available in different sizes to be compatible with various trim

DUST BOX: Brass, stainless steel or US10B oil rubbed bronze

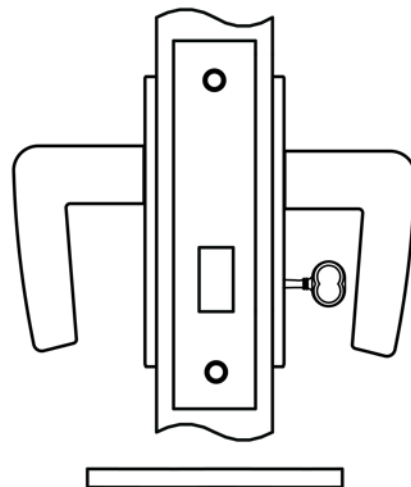
VERTICAL SPACING: 2¹/₄" vertical spacing

5 step, or US10B

9524LLB Bit Key Deadlock Dimensions



9524LLB Bit Key Deadlock



**9524LLB
BIT KEY DEADLOCK**

Latch bolt by rigid knob or lever either side.

(One solid brass bit key furnished with each lock.)

9500BK BIT KEY DEADLOCK

The smallest lock in the bit key family deadbolt only small body mortise lock features a bit key to serve an aesthetically historical appeal and operation. It is commonly used on interior doors or special openings that may require smaller locks and trim and no need for a latch bolt.



9500BK Bit Key Deadlock



BACKSETS: 1 1/2", 1 3/4", 2 1/2", 2 3/4"
For door stiles 3 3/4" wide and up.

CASE: Heavy gauge stainless steel (1/2" thick)

LATCH BOLT: Brass or stainless steel, 7/16" throw

DEADBOLT: Brass or stainless steel, 1/2" throw

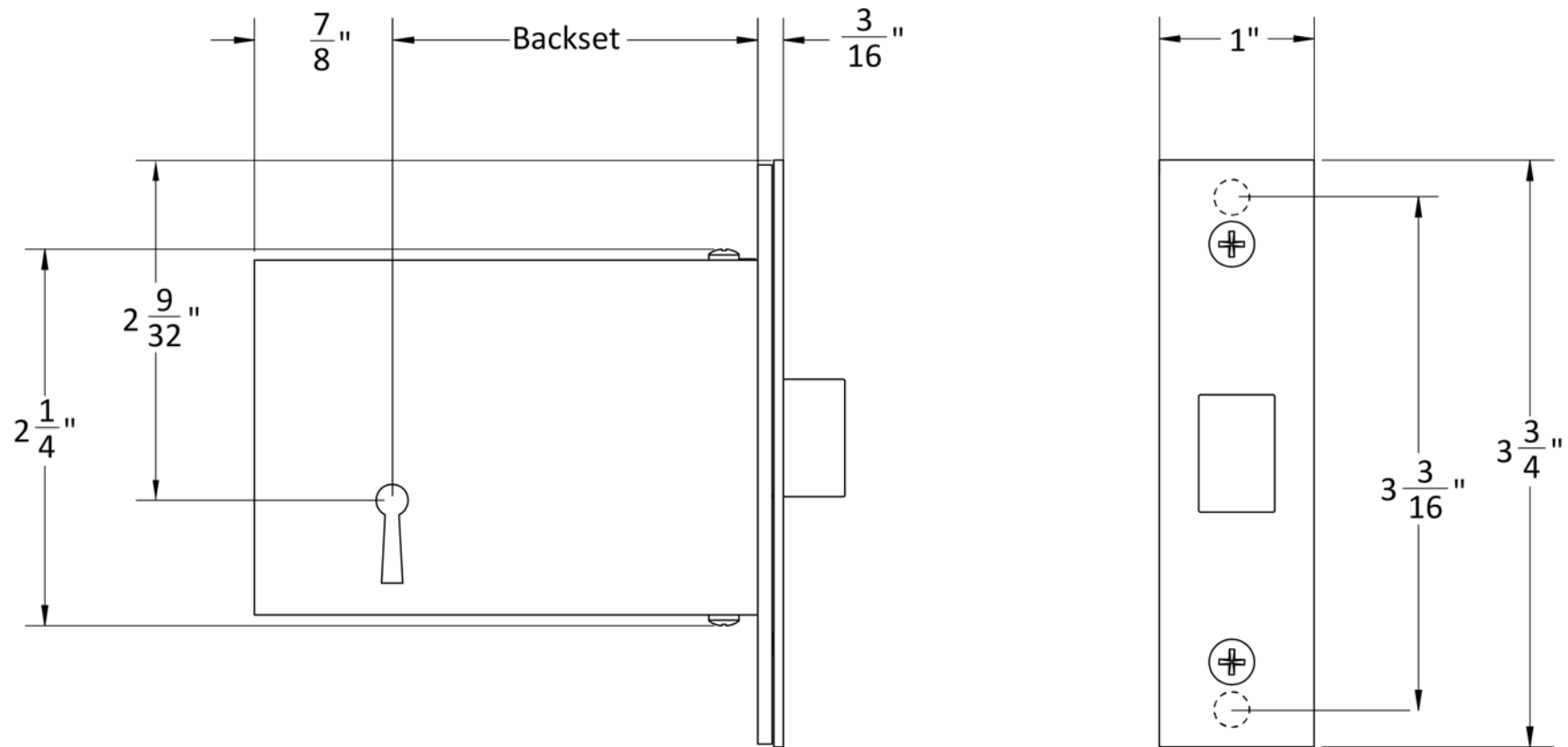
HUBS: Available in different sizes to be compatible with various trim

DUST BOX: Brass, stainless steel or US10B oil rubbed bronze

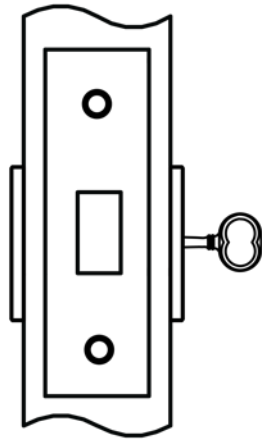
VERTICAL SPACING: 2 1/4" vertical spacing

STEEL or US10B

9500BK Bit Key Deadlock Dimensions



9500BK Bit Key Mortise Lock



**9500BK
BIT KEY DEADLOCK**

Latch bolt by rigid knob or lever either side.

(One solid brass bit key furnished with each lock.)



9824 BIT KEY MORTISE LOCK

This small body mortise lock features a bit key to serve an aesthetically historical appeal and operation. The 9824 features increased vertical spacing to accommodate the use of larger trim and more space between the knob and key. It is commonly used on interior doors or special openings that may require smaller locks and trim. Available in privacy or passage functions to pair with a variety of lever, knob, escutcheon or rose trim styles.



9824 PRIVACY BIT KEY LOCK WITH REDONDO KNOB AND TRADITIONAL ESCUTCHEON

9824 Bit Key Mortise Lock



BACKSETS: 2", 2¹/₂" , 2³/₄"
For door stiles 3 ³/₄" wide and up.

CASE: Heavy gauge stainless steel (1/2" thick)

LATCH BOLT: Brass or stainless steel, 7/16" throw

DEADBOLT: Brass or stainless steel, 1/2" throw

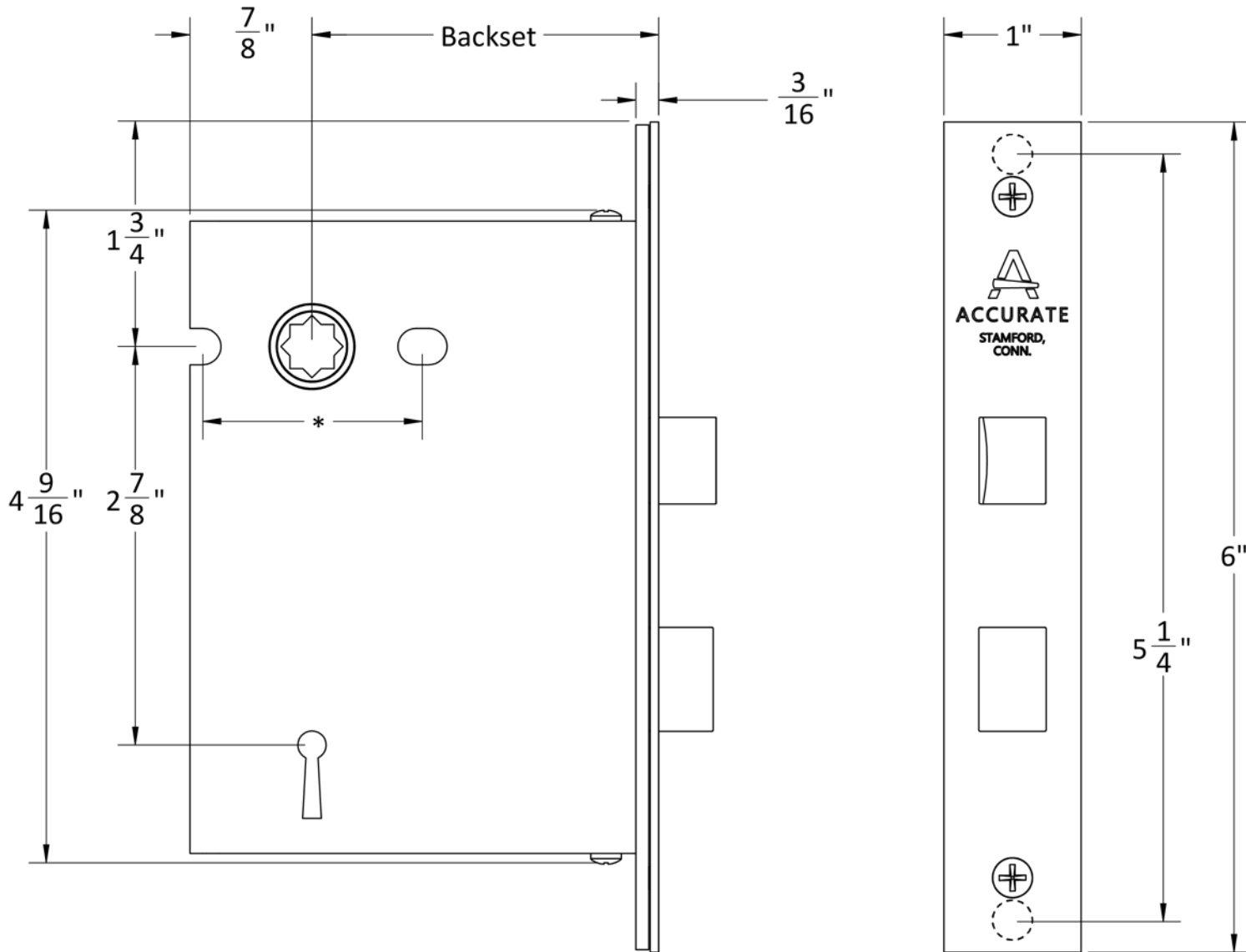
HUBS: Available in different sizes to be compatible with various trim

DUST BOX: Brass, stainless steel or US10B oil rubbed bronze

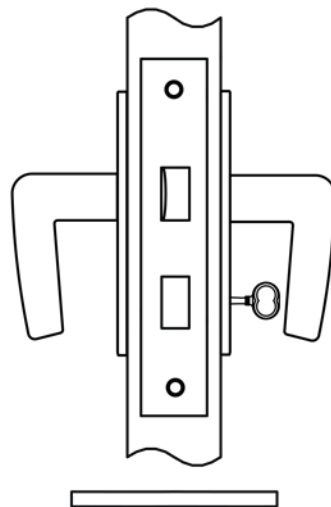
VERTICAL SPACING: 2⁷/₈" vertical spacing

System of US10B

9824 Bit Key Mortise Lock Dimensions



9824 Bit Key Mortise Lock



9824

INTERIOR BIT KEY MORTISE LOCK

Latch bolt by rigid knob or lever either side.

Deadbolt by bit key inside and outside.

(One solid brass bit key furnished with each lock.)

9824LLB BIT KEY DEADLOCK

This small body mortise lock shares the same lock body with the 9824 but features no latch bolt. This deadbolt only bit key lock is commonly used on interior doors or special openings that may require smaller locks and trim and no need for a latch bolt. 9824 features increased vertical spacing to accommodate the use of larger trim and more space between the knob and key. Shown here with rigid dummy lever trim and escutcheon.



9824LLB PRIVACY BIT KEY LOCK WITH
DUMMY REDONDO KNOB AND TRADITIONAL ESCUTCHEON

9824LLB Bit Key Deadlock



BACKSETS: 2", 2¹/₂" , 2³/₄"
For door stiles 3 ³/₄" wide and up.

CASE: Heavy gauge stainless steel (1/2" thick)

LATCH BOLT: Brass or stainless steel, 7/16" throw

DEADBOLT: Brass or stainless steel, 1/2" throw

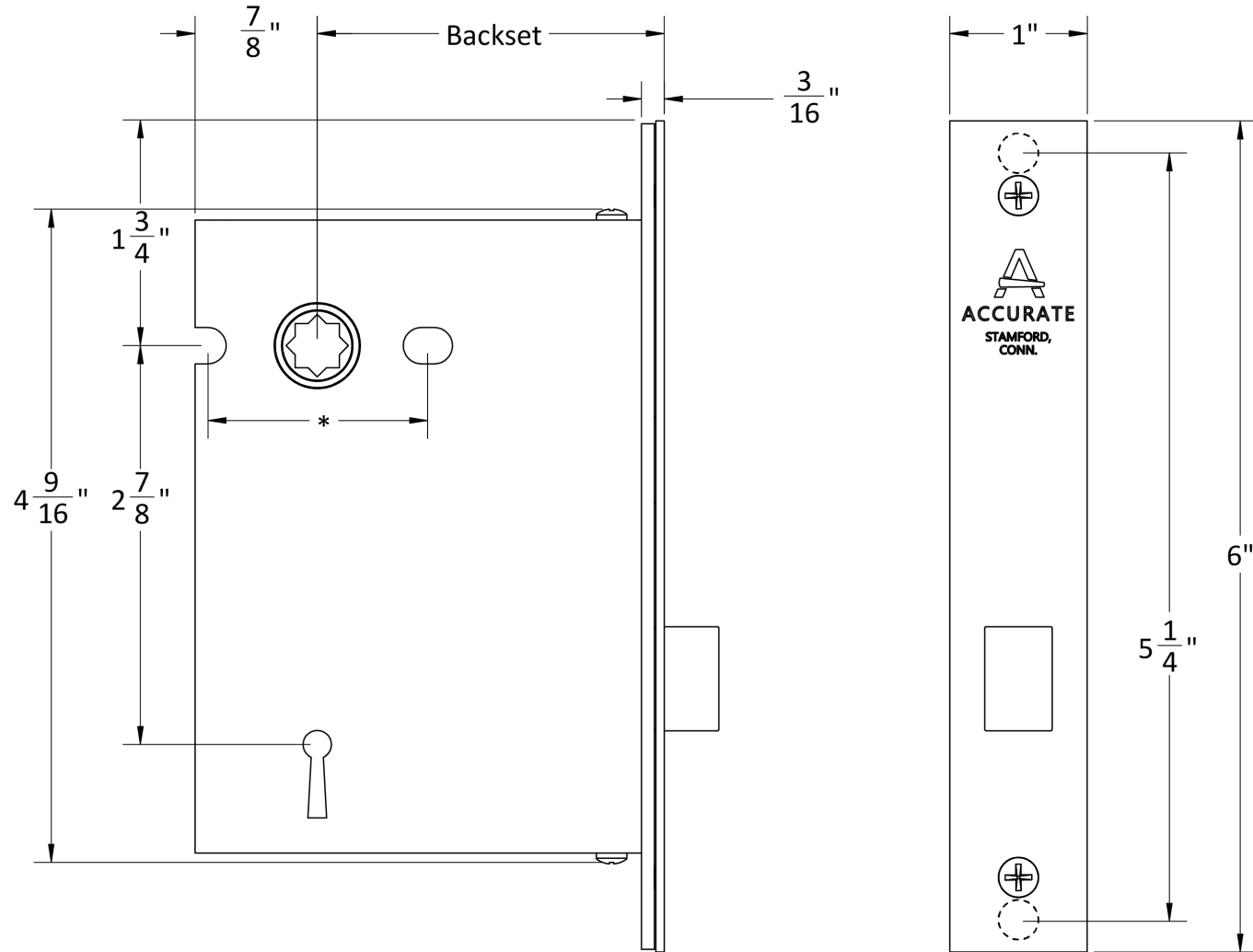
HUBS: Available in different sizes to be compatible with various trim

DUST BOX: Brass, stainless steel or US10B oil rubbed bronze

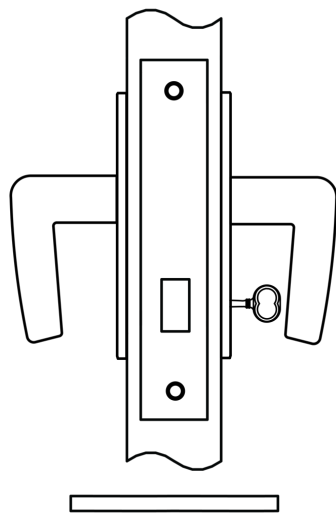
VERTICAL SPACING: 2⁷/₈" vertical spacing

System of US10B

9824LLB Bit Key Deadlock Dimensions



9824LLB Bit Key Deadlock



9824LLB INTERIOR BIT KEY DEADLOCK

Latch bolt by rigid knob or lever either side.

(One solid brass bit key furnished with each lock.)

Levers + Knobs

**6Y
YORK LEVER**



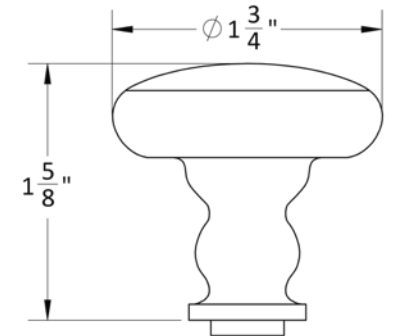
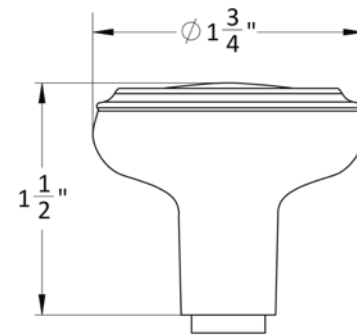
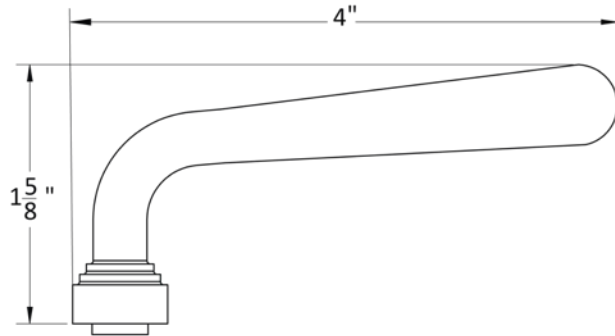
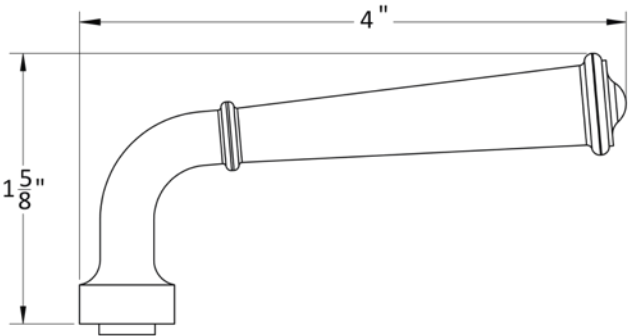
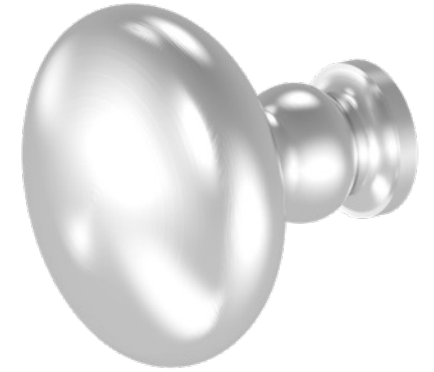
**6S
STAMFORD LEVER**



**6R
REDONDO KNOB**



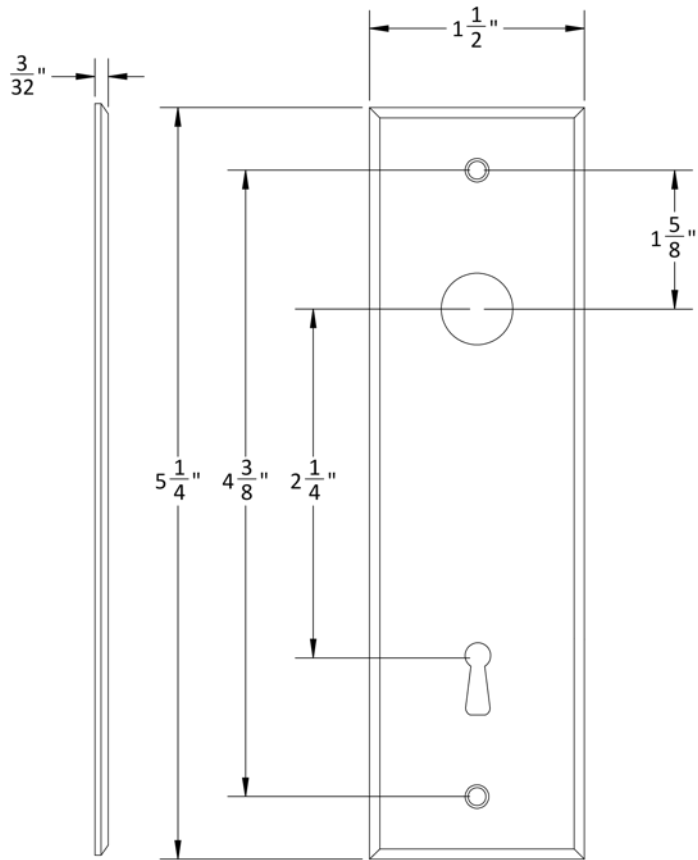
**6C
COLONIAL KNOB**



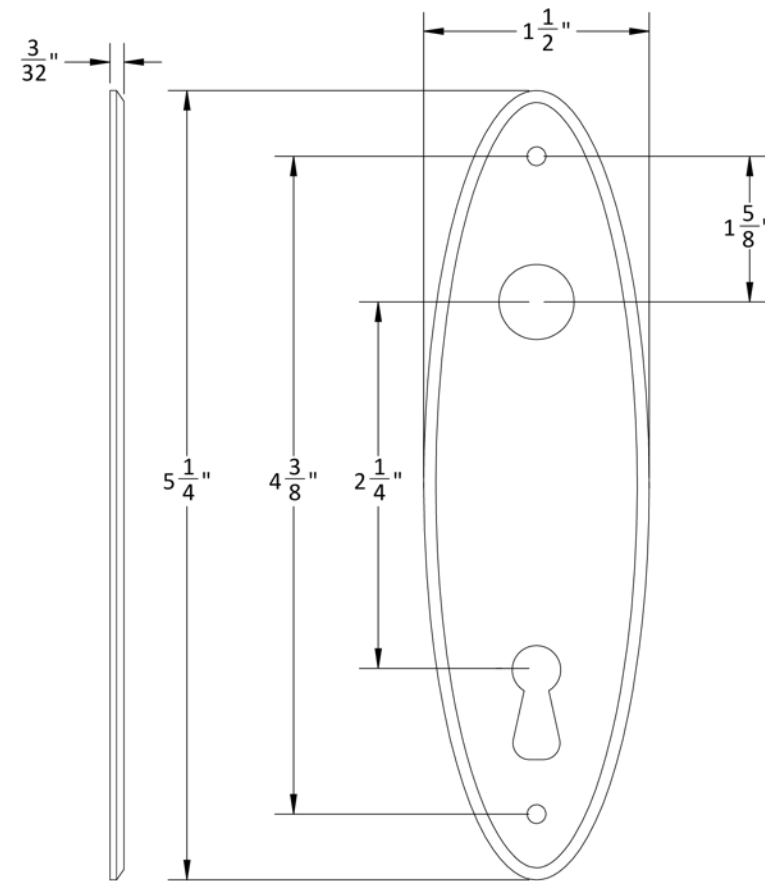
SPECIFY: 6X-D for Dummy Trim

Bit Key Escutcheons

9T-K TRADITIONAL ESCUTCHEON

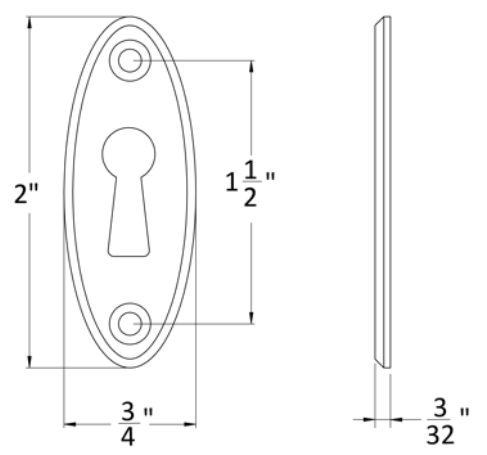


90-K OVALO ESCUTCHEON

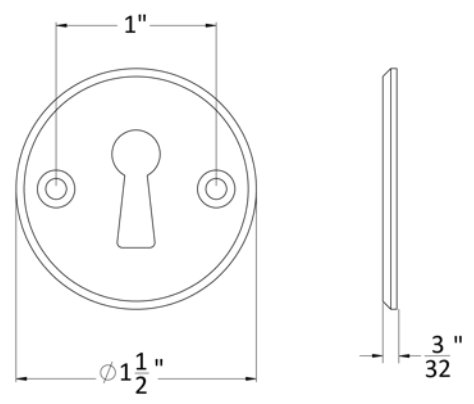
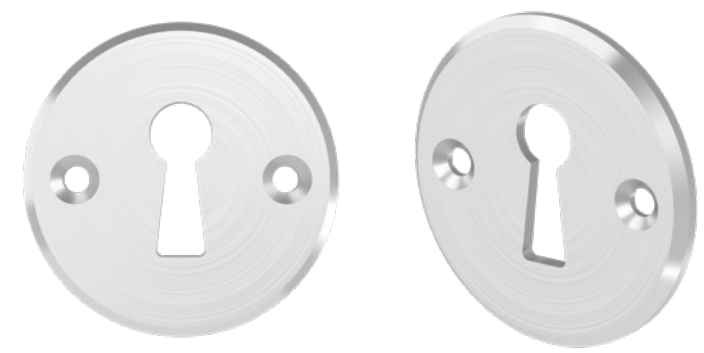


Bit Key Escutcheons

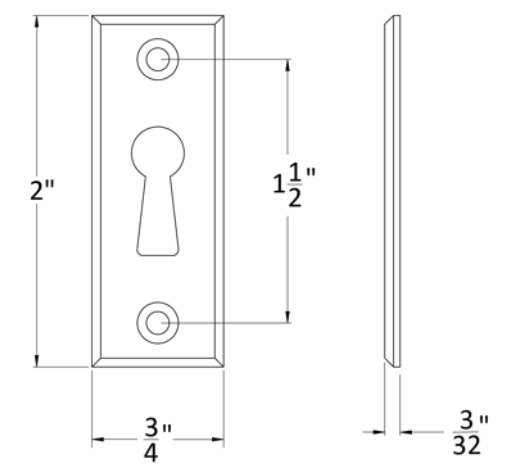
90-BK
OVAL ESCUTCHEON



9R-BK
ROUND ESCUTCHEON

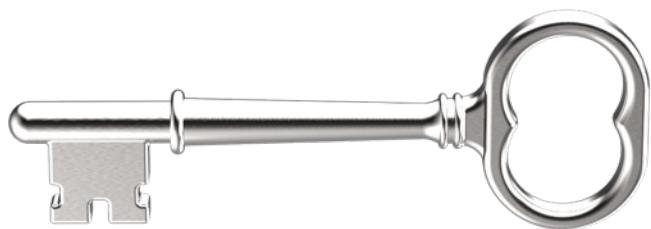


9T-BK
RECTANGULAR ESCUTCHEON



Bit Key

9-BK BIT KEY

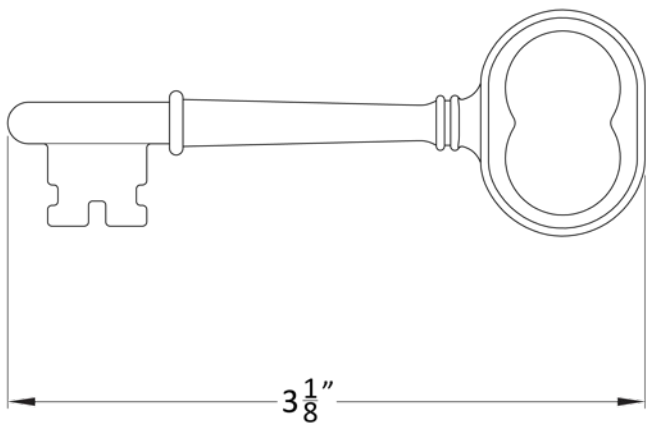


One solid brass, raw mill finish bit key is furnished with each bit key lock.

Additional key are available to order, specify 9-BK.

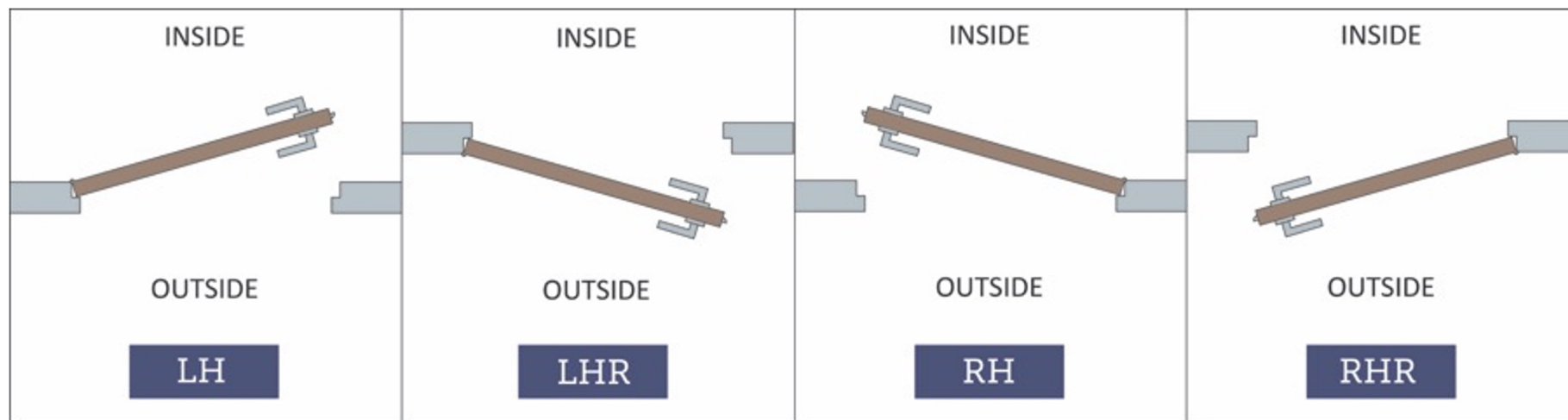
Different finishes are available.

5 steel, or US10B



HOW TO SPECIFY

HANDING



FINISHES

GROUP 1: US4, US4NL, US32D*, US26D

GROUP 2: US3, US3NL, US26, US32*, US9*, US10*, US10B, US14, US15, US19

GROUP 3: BN, BB, TN, TB, DURO, ESN, US15A, US5

Applicable finishes come standard with [Cerakote Premium Protective Coating](#). Available in gloss or matte.

** Trim options (including Accurate Levers) may not be available in US32D, US32, US9, or US10 finish. Please call for assistance.*

To view example of finishes visit: [Accurate Finishes](#).

HOW TO SPECIFY

LOCK.BACKSET.TRIM.FINISH.HAND.DOORTHICKNESS

LOCKS

9524
9524LLB
9500BK
9824

BACKSET

2", 2-1/2", 2-3/4"
1-1/2", 1-3/4" (9500BK ONLY)

TRIM

Specify:
6Y, 6S, 6R, 6C Lever or Knob
9T-K, 9O-K, 9O-BK, 9R-BK, 9T-BK Escutcheons

FINISHES

See available finishes (pg. 26)

EXAMPLES

Bit Key Mortise Lock | Stamford Lever | Traditional Escutcheon

E.g.: 9524.212.6S/9T-K.US15.RH.134

Bit Key Deadlock | Colonial Knob | Ovalo Escutcheon

E.g.: 9524LLB.234.6C-D/9O-K.US4.LH.134

Bit Key Deadlock | Oval Bit Key Escutcheon

E.g.: 9500BK.112.9O-BK.US10B.RH.134

Bit Key Mortise Lock | Other Manufacturers' Trim

E.g.: 9824.212.LxL.8mm.US5.134

NOTES

- All standard Bit Key Mortise Locks include standard strikes for 1-3/4" thick doors.
- Each lock is furnished standard with (1) bit key, additional keys sold separately (specify 9-BK).

**ACCURATE LOCK & HARDWARE
MANUFACTURERS OF LOCKS AND
CUSTOM ARCHITECTURAL HARDWARE**

1 Annie Place | Stamford, CT 06902

P: 203.348.8865

F: 203.348.5234

E: sales@accuratelockandhardware.com

www.accuratelockandhardware.com



**AMERICAN CRAFTED
— SINCE 1972 —**