



ACCURATE
LOCK & HARDWARE
AMERICAN CRAFTED SINCE 1972

CH 9100ML-VRT LIGATURE RESISTANT MAGNETIC VERTICAL ROD LOCK

INNOVATIVE DOOR TECHNOLOGY TO IMPROVE SAFETY



CH 9100ML-VRT

The Ligature Resistant Magnetic Vertical Rod Top Lock is designed to stay flush until it is pulled into the strike by a rare-earth magnet, essentially removing the latch as a ligature point and creating a safer opening for areas of all risk levels. There is no visible strike and the handle will retract back to the starting position.

CH 9100ML-VRT | Vertical Rod Top Latch

DOOR OPEN



Blank Faceplate Eliminates Ligature Point

DOOR OPEN



Vertical Rod Does Not Protrude From Top of Door in Open Position

DOOR CLOSED



Vertical Rod Locks into Top of Door Jamb



CH 9100ML-VRT Vertical Rod Top Latch

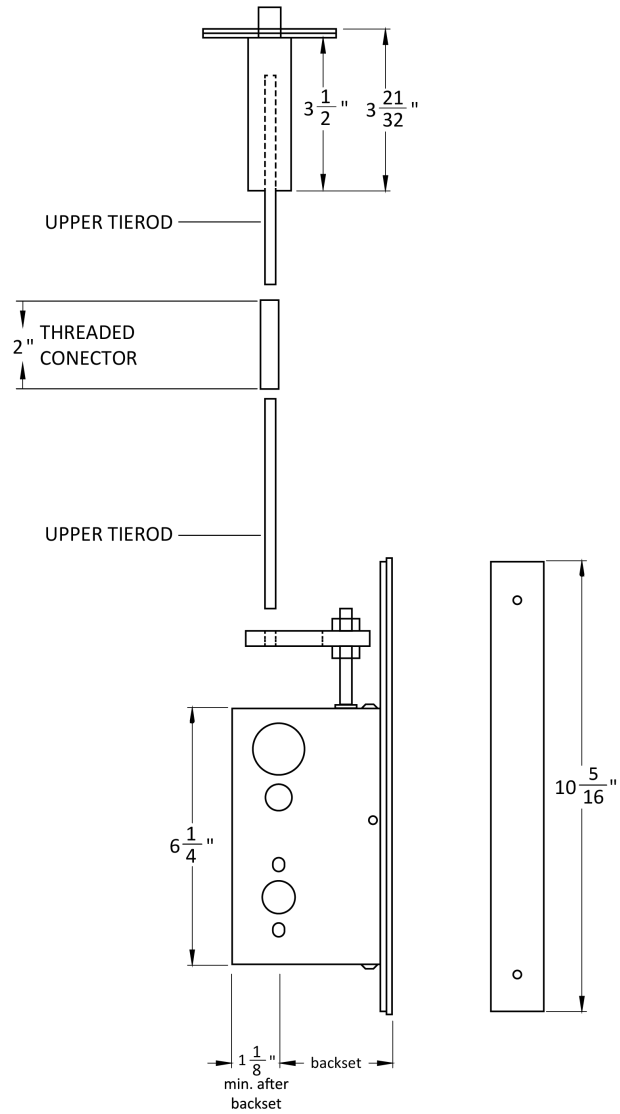
Ligature Resistant Crescent

Handle Trim paired with 9100

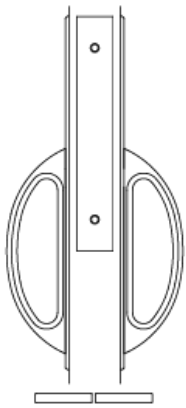
Vertical Rod Lock with

Magnetic Top Latch.

CH 9100ML-VRT Dimensions

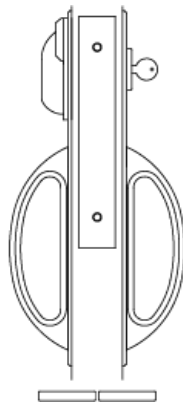


CH 9100ML-VRT FUNCTIONS



CH 9125ML-VRT PASSAGE

Latch bolt by handle either side.



CH 9144ML-VRT INSTITUTIONAL PRIVACY

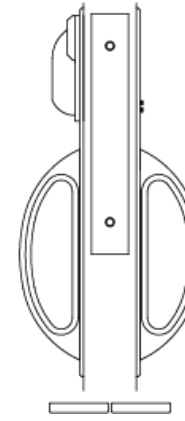
Latch bolt by handle either side unless outside handle is locked by thumb turn.

Thumb turn locks or unlocks outside handle.

Key locks or unlocks outside handle.

Key will not retract latch as an override. Clutch* on inside thumb turn required to enable key to unlock the outside handle if inside thumb turn forcibly held.

Outside handle unlocks when inside handle is turned (closing door will not unlock outside handle).



CH 9144E-ML-VRT INSTITUTIONAL PRIVACY

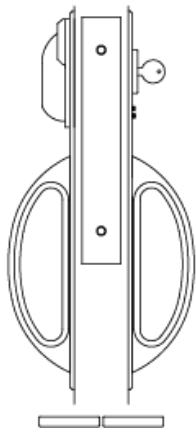
Latch bolt by handle either side unless outside handle is locked by thumb turn.

Thumb turn locks or unlocks outside handle.

Emergency release locks or unlocks outside handle.

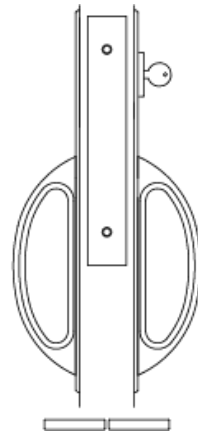
Clutch* on inside thumb turn required to enable emergency release to unlock the outside handle if inside thumb turn forcibly held.

Outside handle unlocks when inside handle is turned (closing door will not unlock outside handle).



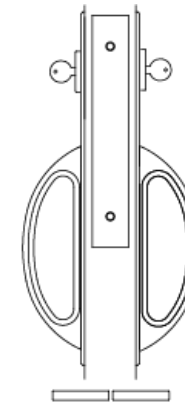
CH 9144i-ML-VRT INSTITUTIONAL PRIVACY WITH OCCUPANCY INDICATOR

Same operation as 9144ML-VRT Institutional Privacy except outside plate has an occupancy indicator.



CH 9145ML-VRT CLASSROOM

Latch bolt by key outside and handle either side unless outside handle is locked by key.



CH 9146ML-VRT CLASSROOM DOUBLE LOCKING

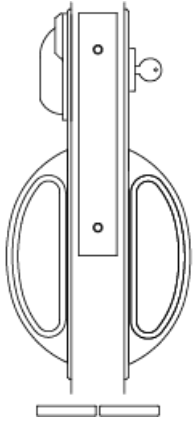
Latch bolt by key from either side.

Key from either side locks and unlocks outside **and** inside handles.*

**Verify code compliance before specifying this function.*

*See page 8 for Clutch.

CH 9100ML-VRT FUNCTIONS



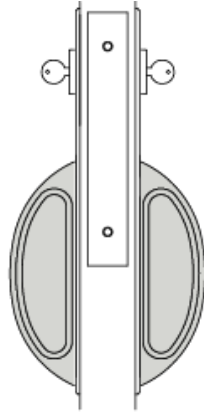
CH 9153ML-VRT ENTRANCE

Latch bolt by key outside and handle either side unless outside handle is locked by thumb turn or key.

Key or thumb turn locks or unlocks outside handle.

Key will not retract latch as an override. Clutch* on inside thumb turn required to enable key to unlock the outside handle if inside thumb turn forcibly held.

Operating inside handle will not unlock outside handle if locked.

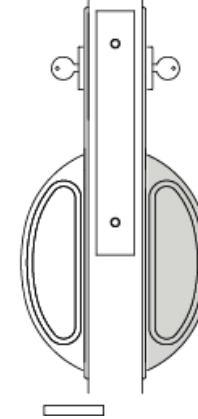


CH 9158ML-VRT INSTITUTIONAL OR ASYLUM

Latch by key either side.

Inside and outside handle always **rigid**.*

**Verify code compliance before using this function.*



CH 9159ML-VRT STOREROOM

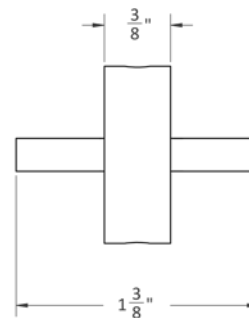
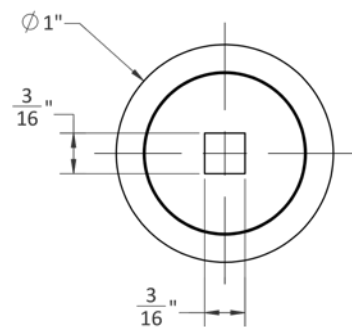
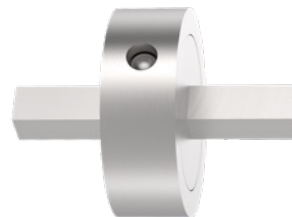
Latch by handle inside and key outside.

Outside handle always **rigid**.

*See page 8 for Clutch.

CH 9100ML-VRT | CLUTCH

To enable authorized override



FURNISHED WITH LOCK FUNCTIONS:

CH 9144ML-VRT

CH 9145ML-VRT

CH 9146ML-VRT

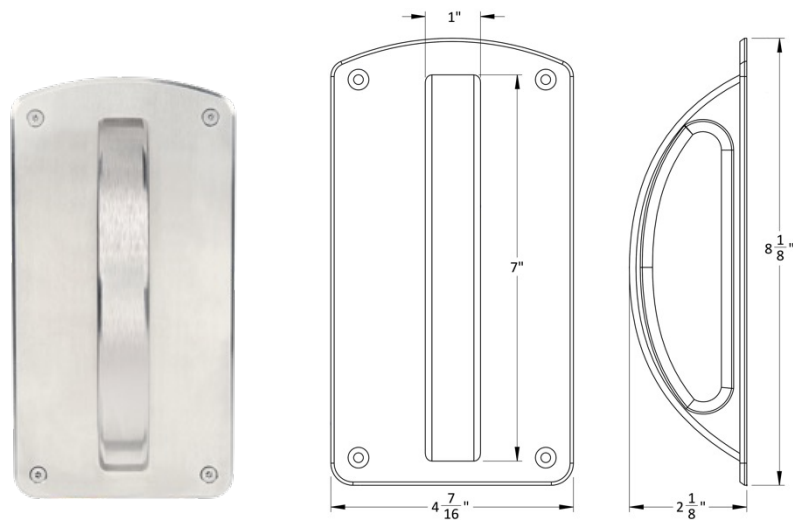
CH 9153ML-VRT

CH 9159ML-VRT

CH 9160ML-VRT

CRESCENT TRIM: SMALL PLATE (S.PC)

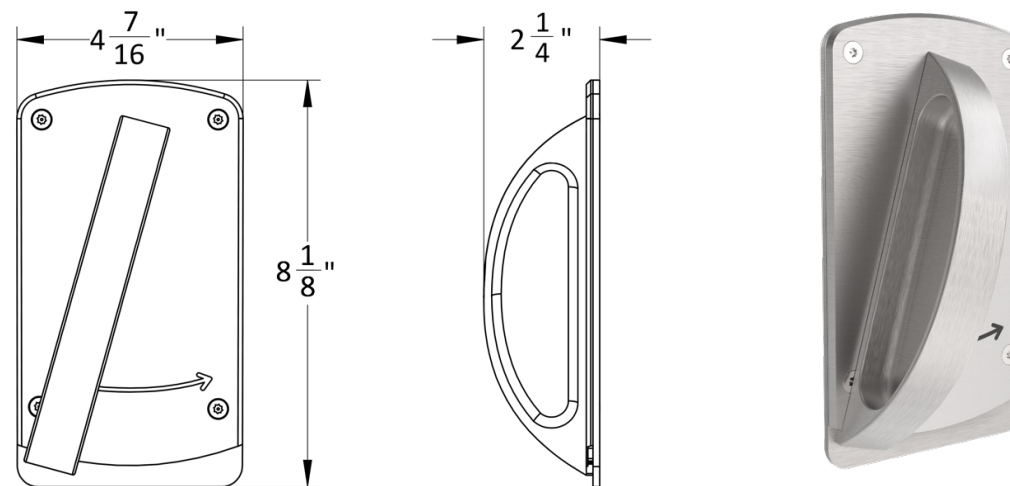
**CP-S
SMALL PLATE
(Rigid)**



FURNISHED WITH LOCK FUNCTIONS:

CH 9158ML-VRT, CH 9159ML-VRT

**CH-S
SMALL PLATE
(Active)**



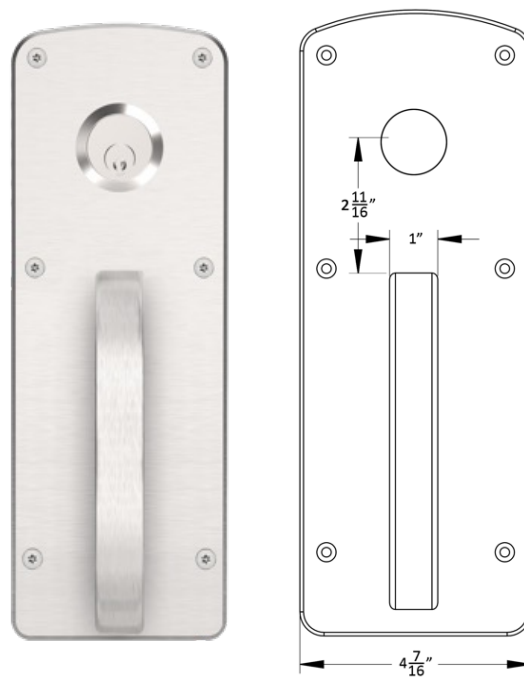
CAN BE FURNISHED WITH ALL LOCK FUNCTIONS

THAT REQUIRE AN ACTIVE HANDLE

CH TRIM FURNISHED BASED ON LOCK FUNCTION WHEN INDICATING S.PC (SEE HOW TO SPECIFY).
RETROFIT PLATE OPTIONS AVAILABLE UPON REQUEST.

CRESCENT TRIM: LARGE PLATE (L.PC)

CP-C CYLINDER CUTOUT (Rigid)



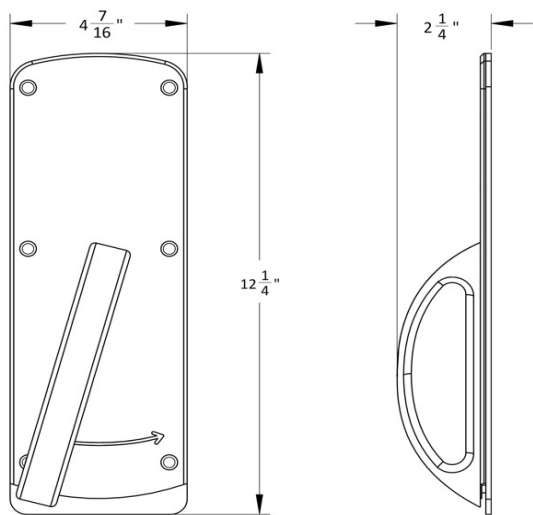
FURNISHED WITH LOCK FUNCTIONS:

CH 9158ML-VRT, CH 9159ML-VRT,

CH TRIM FURNISHED BASED ON LOCK FUNCTION WHEN INDICATING L.PC (SEE HOW TO SPECIFY).
RETROFIT PLATE OPTIONS AVAILABLE UPON REQUEST.

CRESCENT TRIM: LARGE PLATE (L.PC)

CH HANDLE DIMENSIONS



**APPLIES TO ALL ACTIVE
CRESCENT HANDLES**

CH-B BLANK



FURNISHED WITH LOCK FUNCTIONS:
CH 9125ML-VRT, CH 9145ML-VRT
CH 9159ML-VRT

CH-C CYLINDER CUTOUT



FURNISHED WITH LOCK FUNCTIONS:
CH 9144ML-VRT, CH 9145ML-VRT,
CH 9146ML-VRT CH 9153ML-VRT,
CH 9158ML-VRT, CH 9159ML-VRT

CH-Ci CYLINDER CUTOUT WITH INDICATOR



FURNISHED WITH LOCK FUNCTIONS:
CH 9144i-ML-VRT

CH TRIM FURNISHED BASED ON LOCK FUNCTION
WHEN INDICATING L.PC (SEE HOW TO SPECIFY).
RETROFIT PLATE OPTIONS AVAILABLE UPON REQUEST.

CRESCENT TRIM: LARGE PLATE (L.PC)

CH-E

**FLUSH EMERGENCY
RELEASE**



FURNISHED WITH LOCK FUNCTIONS:

CH 9144E-ML-VRT

CH-T

INTEGRATED THUMB TURN



FURNISHED WITH LOCK FUNCTIONS:

CH 9144ML-VRT, CH 9144E-ML-VRT,
CH 9153ML-VRT

CH-Ti

**INTEGRATED THUMB TURN
WITH INDICATOR**



FURNISHED WITH LOCK FUNCTIONS:

CH 9144i-ML-VRT

CH TRIM FURNISHED BASED ON LOCK FUNCTION
WHEN INDICATING L.PC (SEE HOW TO SPECIFY).
RETROFIT PLATE OPTIONS AVAILABLE UPON REQUEST.

CRESCENT TRIM: LARGE PLATE (L.PC)

**CH-C
CYLINDER CUTOUT**



FURNISHED WITH LOCK FUNCTIONS:

CH 9144ML-VRT, CH 9145ML-VRT,
CH 9153ML-VRT, CH 9156ML-VRT,
CH 9158ML-VRT, CH 9159ML-VRT

**CH-T
INTEGRATED THUMB TURN**



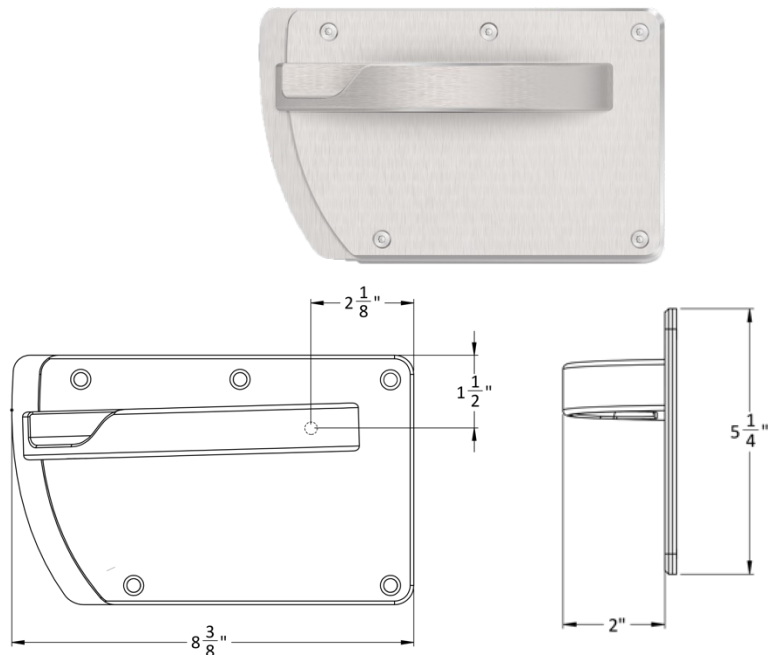
FURNISHED WITH LOCK FUNCTIONS:

CH 9144ML-VRT, CH 9153ML-VRT

CH TRIM FURNISHED BASED ON LOCK FUNCTION
WHEN INDICATING L.PC (SEE HOW TO SPECIFY).
RETROFIT PLATE OPTIONS AVAILABLE UPON REQUEST.

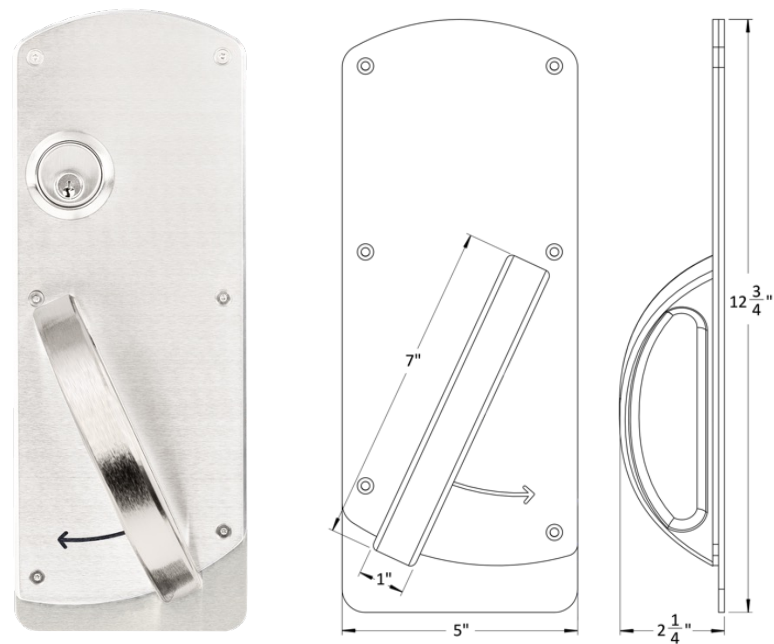
OTHER CRESCENT TRIM

HCH HORIZONTAL CRESCENT HANDLE



Operation and appearance of horizontal lever with a crescent shape for ligature resistance. Specify as HCH.

BA BREAKAWAY TRIM



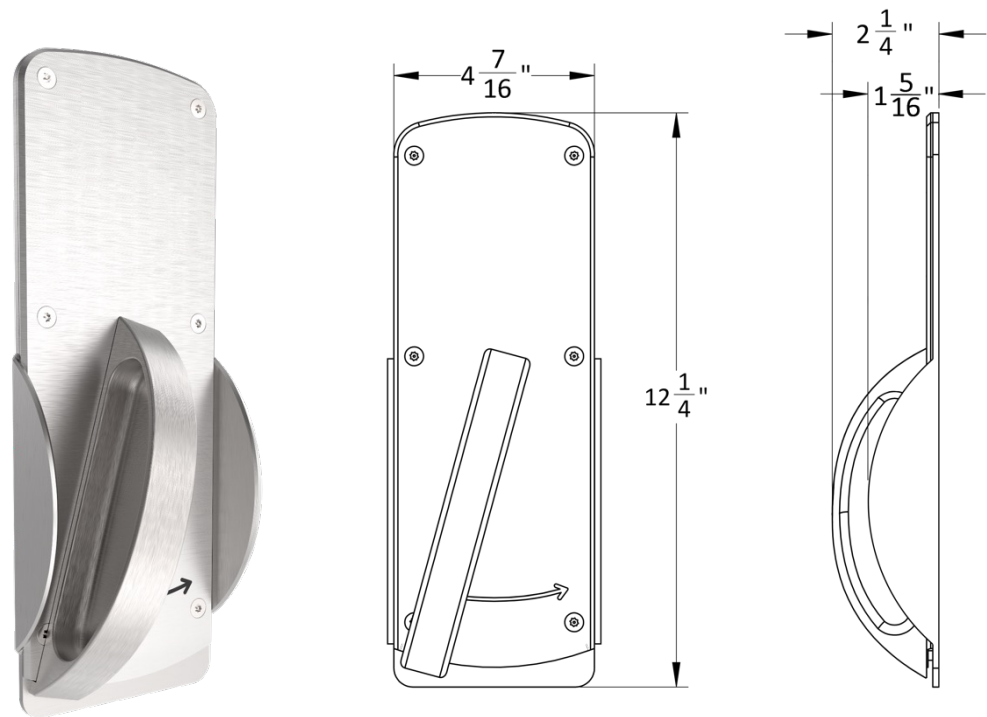
Safety trim designed to work with anti-barricade strategies including specialty stops (e.g. Kingsway, Pemko, etc). Specify as BA.

CH TRIM FURNISHED BASED ON LOCK FUNCTION
(SEE HOW TO SPECIFY).
RETROFIT PLATE OPTIONS AVAILABLE UPON REQUEST.

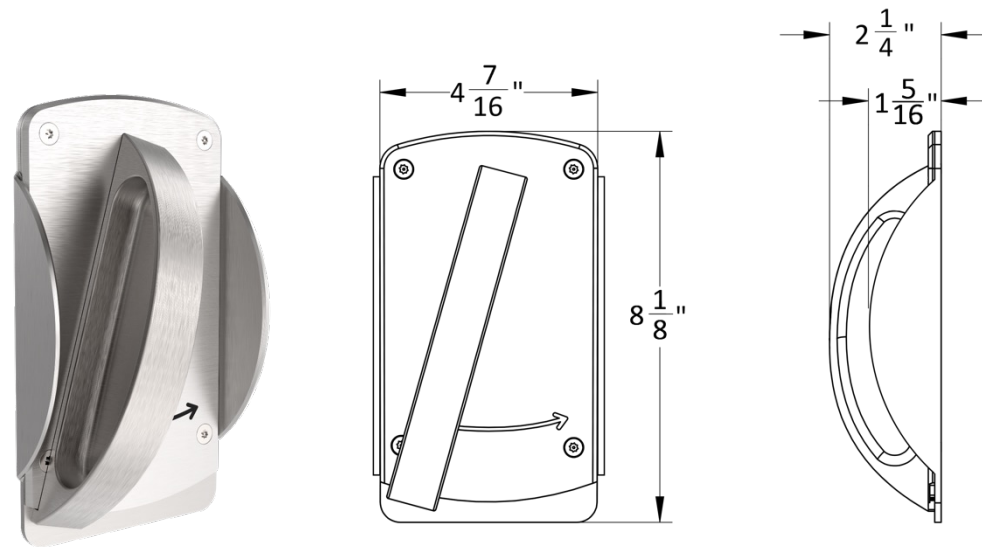
OTHER CRESCENT TRIM

Anti-vandal crescent trim provides additional protection with its 'winged' design, preventing damage caused by carts or other heavy items hitting the doors.

ANTI-VANDAL TRIM (L.PC)



ANTI-VANDAL TRIM (S.PC)

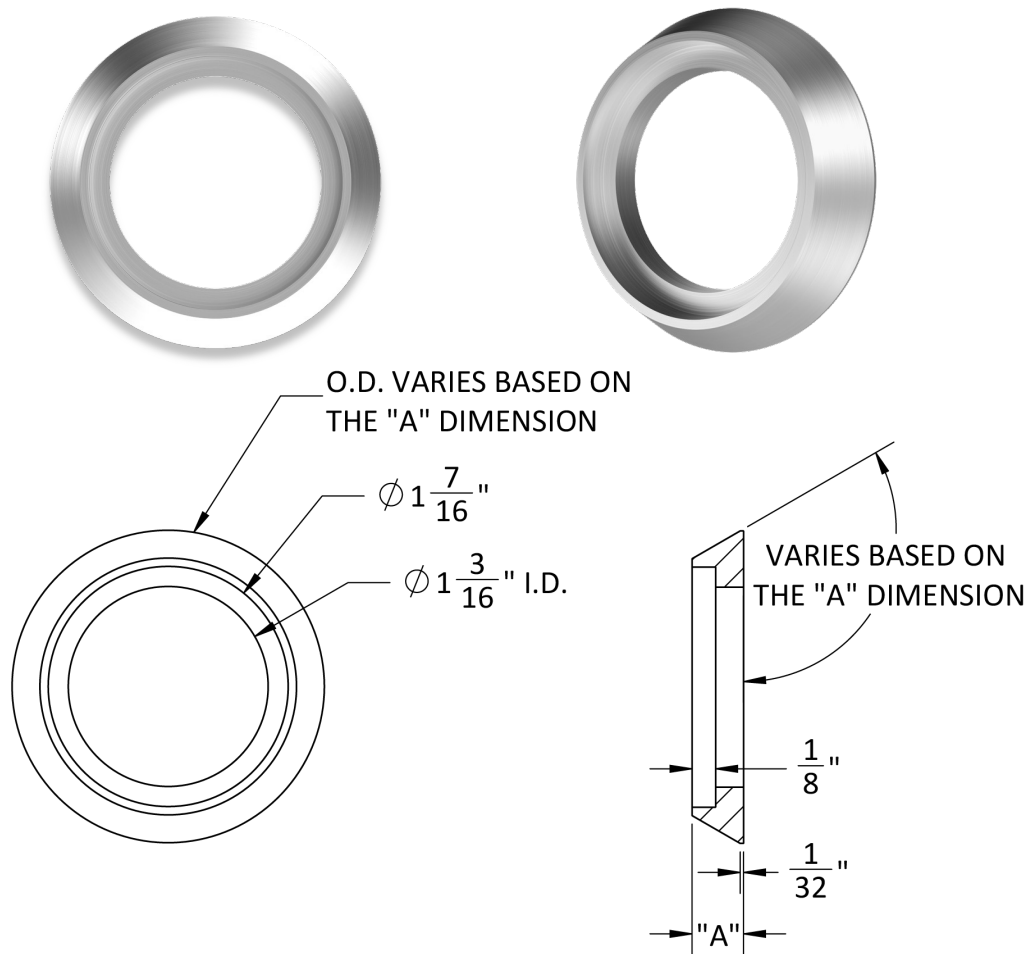


CH TRIM FURNISHED BASED ON LOCK FUNCTION.
SPECIFY AV AS SPECIAL OPTION (SEE HOW TO SPECIFY).
RETROFIT PLATE OPTIONS AVAILABLE UPON REQUEST.

LIGATURE RESISTANT CYLINDER COLLARS

FOR MORTISE TYPE CYLINDERS

LRCC



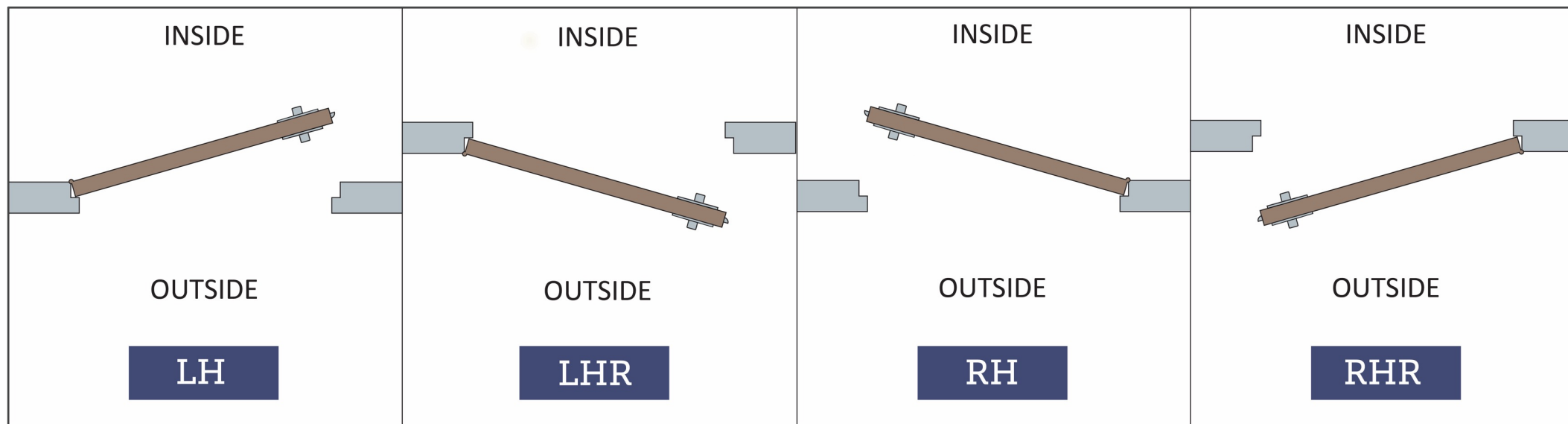
Cylinder Length	P/N (for CH Mortise Sets with Active Crescent Plates)*	P/N (for CH Mortise Sets with Dummy Crescent Plates)*
1 1/8"	LRCC.187	LRCC.312
1 1/4"	LRCC.312	LRCC.437
1 3/8"	LRCC.437	LRCC.562
1 1/2"	LRCC.562	LRCC.687
OTHER	LRCC.A Indicate required thickness OR specify cylinder length and lockset from list below	LRCC.A Indicate required thickness OR specify cylinder length and lockset from list below
	For CH9122, CH9124, CH9142, CH9143, CH9143i, CH9144, CH9144i, CH9145, CH9145S, CH9146, CH9148, CH9153, CH9156, CHM9158E, CHM9159E sets	For CH9158, CH9159, CH9147i, CH9160 sets

*Part numbers/sizes are based on sets for 1 3/4" thick doors, using L-PC style Crescent plates.

SPECIFY LRCC.A AS SPECIAL OPTION BASED ON CYLINDER APPLICATION OR LENGTH (SEE HOW TO SPECIFY).

HOW TO SPECIFY

HANDING

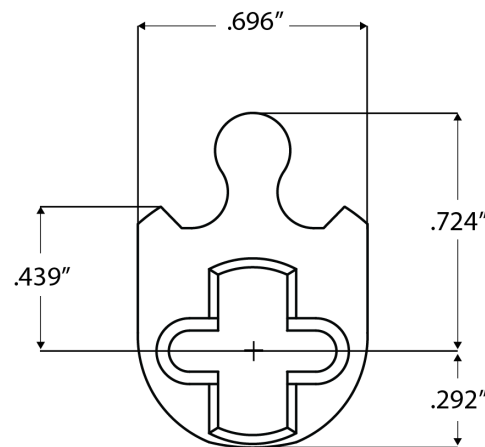


FINISHES

Standard Finish US26D/US32D.

AM anti-microbial coating is available.

Please [contact us](#) regarding availability of other finishes.



CYLINDERS & KEYING

CH 9100ML-VRT Mortise Sets accept any standard American mortise cylinder. For details on required cams and compatibility with other manufacturers' cylinders, please visit: [Accurate Support](#).

HOW TO SPECIFY

CH FUNCTION-VRT.BACKSET.TRIM OPTIONS.FINISH.HAND.134.DOORHEIGHT.SPECIAL OPTIONS

Functions
See available
functions
(pgs. 6-7)

Backset
Standard 2-3/4"
(3-3/4", 5" or 6" available)

Trim Options
S.PC – Small Plate
L.PC – Large Plate
HCH – Horizontal Crescent
BA - Breakaway

Finishes
US26D/US32D
AM Anti-microbial

Door Height
Specify in inches
(84")

Special Options

- **Specify SP:** SilentPac™ Lever Dampening Disc
- **Specify ETCH:** Custom Etching
- **Specify AV:** Anti-Vandal Trim
- **Specify LRCC.A:** Ligature Resistant Cylinder Collar ('A' based on cylinder application or length)

EXAMPLES

Crescent Magnetic Vertical Rod Lock | Institutional Privacy | Large Plate

E.g.: CH 9144E-ML-VRT.234.L.PC.US26D.RH.134.84

Crescent Magnetic Vertical Rod Lock | Passage | Small Plate | Custom Etched

E.g.: CH 9125ML-VRT.234.S.PC.US26D.RH.134.96.ETCH

Crescent Magnetic Vertical Rod Lock | Classroom Lock | Small Plate

E.g.: CH 9145ML-VRT.234.S.PC.US26D.AM.LH.134.96

Crescent Magnetic Vertical Rod Lock | Classroom Double Locking | Horizontal Crescent Handle | Cylinder Collar (1¹/₈" Cylinder Length)

E.g.: CH 9146ML-VRT.234.HCH.US26D.RHR.134.96.LRCC.187

Crescent Magnetic Vertical Rod Lock | Storeroom Door | Large Plate
Anti-Vandal Trim

E.g.: CH 9159ML-VRT.234.L.PC.US26D.RH.134.84.AV

Crescent Magnetic Vertical Rod Lock | Storeroom | Large Plate

E.g.: CH 9159ML-VRT.234.L.PC.US26D.LHR.134.84

**ACCURATE LOCK & HARDWARE
MANUFACTURERS OF LOCKS AND
CUSTOM ARCHITECTURAL HARDWARE**

1 Annie Place | Stamford, CT 06902

P: 203.348.8865

F: 203.348.5234

E: sales@accuratelockandhardware.com

www.accuratelockandhardware.com



**AMERICAN CRAFTED
— SINCE 1972 —**