



ACCURATE  
LOCK & HARDWARE  
AMERICAN CRAFTED SINCE 1972

---

CH 9100ML MAGNETIC SUITE OF LIGATURE RESISTANT DOOR SOLUTIONS

INNOVATIVE DOOR TECHNOLOGY TO IMPROVE SAFETY



## CH 9100ML

The Magnetic Suite of Ligature Resistant Door

Solutions includes **CH 9100ML** Standard Magnetic Latch and **CH 9100MBL** Magnetic Beveled Latch.

The latch is designed to stay flush until it is pulled into the strike by the rare-earth magnet, essentially removing the latch as a key ligature point while improving aesthetics.

# CH 9100ML | Standard Latch



**DOOR CLOSED**



**STRIKE**

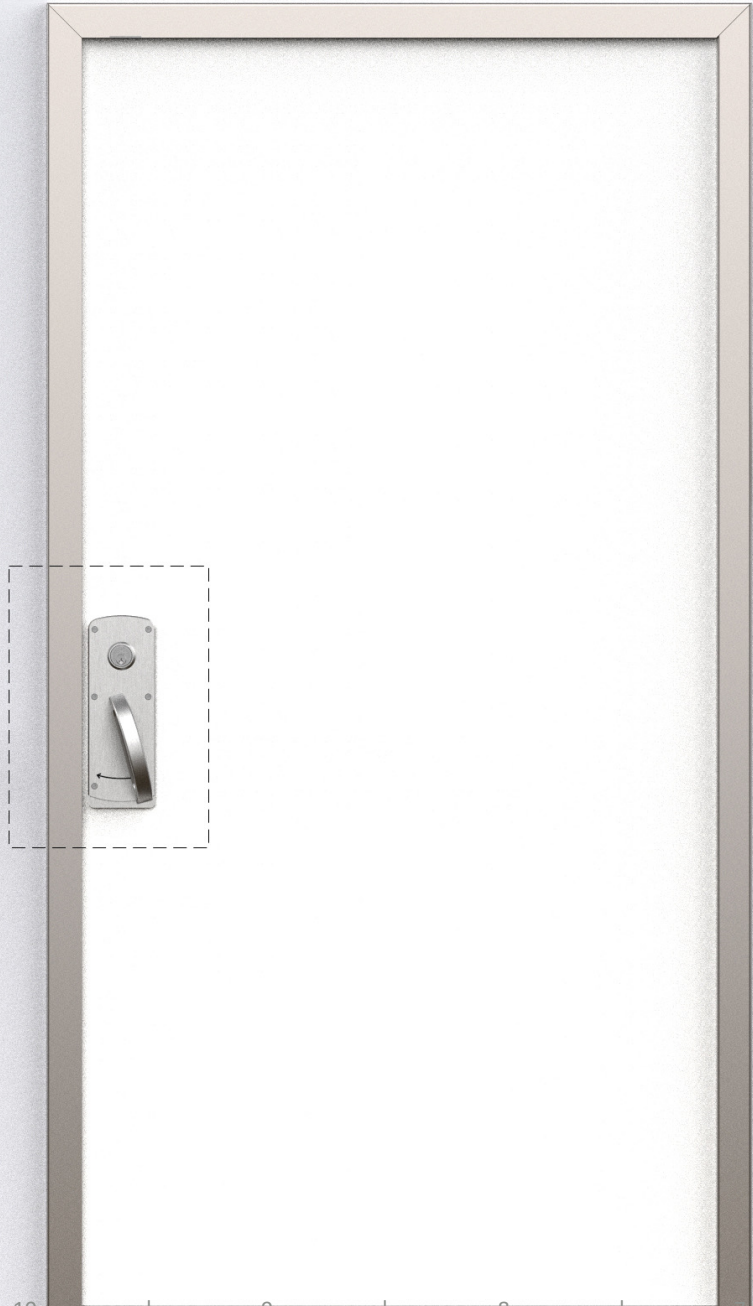


**DOOR OPEN**



Rare-earth Magnet Pulls  
Latch into Strike

Latch Does Not Protrude from Lock,  
Eliminating Ligature Point



# CH 9100ML Standard Latch

Ligature Resistant Crescent

Handle Trim paired with the

9100ML Magnetic Latch and

Strike.

# CH 9100MBL | Beveled Latch



**DOOR CLOSED**

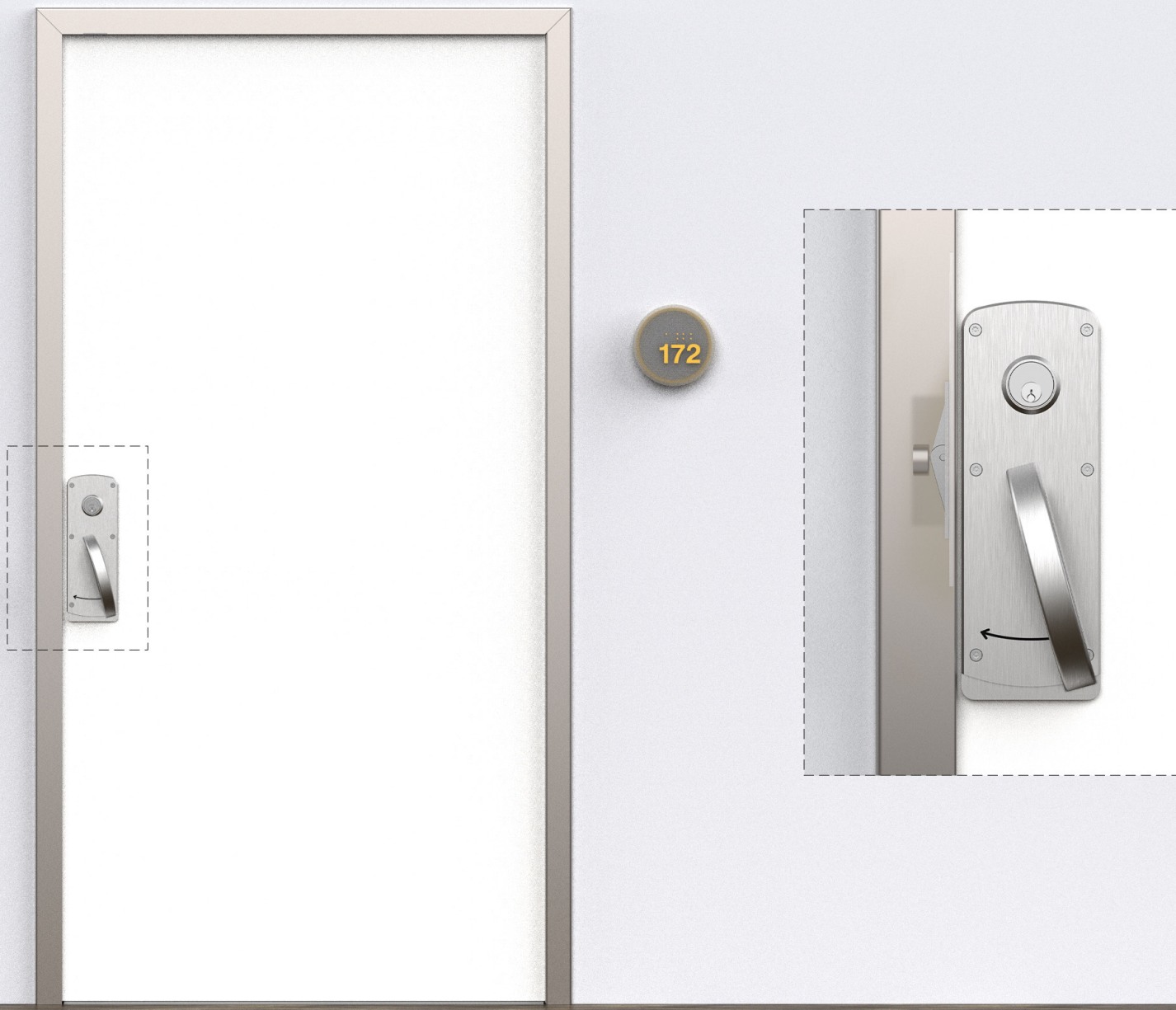


Rare-earth Magnet Pulls Latch into Strike

**DOOR OPEN**



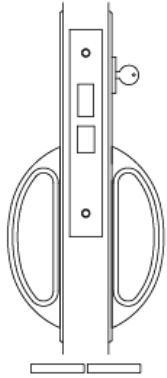
Latch Does Not Protrude from Lock, Eliminating Ligature Point  
*Please specify with caution, evaluating every opening for what is most important: safety or security.*



## CH 9100MBL Beveled Latch

Beveled Safety Latches were developed to further diminish ligature risks in behavioral healthcare settings. An upward, downward, or horizontal force from inside the room will cause the latch to retract and release a ligature attempt making it a safe option for high-risk areas.

# CH 9100ML MORTISE SET FUNCTIONS

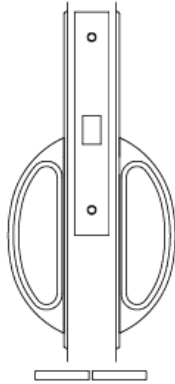


## CH 9124ML DORMITORY

Latch bolt by handle either side unless deadbolt is thrown, in which case outside handle becomes rigid.

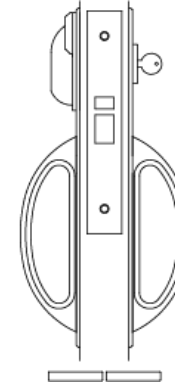
A turn of inside handle retracts latch and deadbolt simultaneously, automatically unlocking outside handle.

Deadbolt by key outside.



## CH 9125ML PASSAGE

Latch bolt by handle either side.



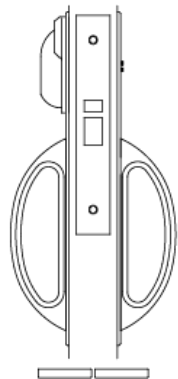
## CH 9143ML INSTITUTIONAL PRIVACY

Latch bolt by handle either side unless outside handle is locked by thumb turn.

Thumb turn locks or unlocks outside handle.

Key will not retract latch as an override. Clutch\* on inside thumb turn required to enable key to unlock the outside handle if inside thumb turn forcibly held.

Outside handle unlocks when inside handle is turned **or** door closes.



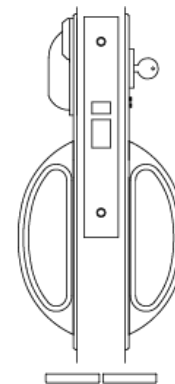
## CH 9143E-ML INSTITUTIONAL PRIVACY EMERGENCY RELEASE

Latch bolt by handle either side unless outside handle is locked by thumb turn.

Thumb turn locks or unlocks outside handle. Emergency release locks or unlocks outside handle.

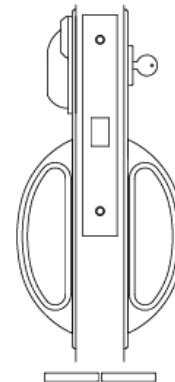
Clutch\* on inside thumb turn required to enable emergency release to unlock the outside handle if inside thumb turn forcibly held.

Outside handle unlocks when inside handle is turned **or** door closes.



## CH 9143i-ML INSTITUTIONAL PRIVACY WITH OCCUPANCY INDICATOR

Same operation as 9143 Institutional Privacy except outside plate has an occupancy indicator.



## CH 9144ML INSTITUTIONAL PRIVACY

Latch bolt by handle either side unless outside handle is locked by thumb turn.

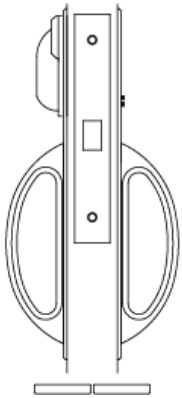
Thumb turn locks or unlocks outside handle.

Key will not retract latch as an override. Clutch\* on inside thumb turn required to enable key to unlock the outside handle if inside thumb turn forcibly held.

Outside handle unlocks when inside handle is turned (closing door will not unlock outside handle).

\*See page 8 for Clutch.

# CH 9100ML MORTISE SET FUNCTIONS



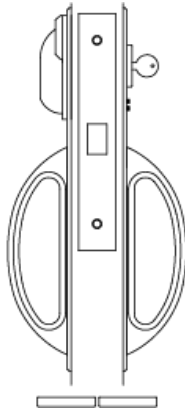
## CH 9144E-ML INSTITUTIONAL PRIVACY

Latch bolt by handle either side unless outside handle is locked by thumb turn.

Thumb turn locks or unlocks outside handle.  
Emergency release locks or unlocks outside handle.

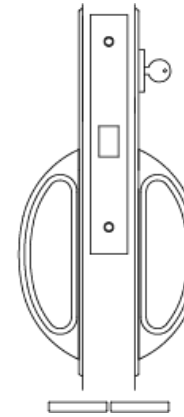
Clutch\* on inside thumb turn required to enable emergency release to unlock the outside handle if inside thumb turn forcibly held.

Outside handle unlocks when inside handle is turned (closing door will not unlock outside handle).



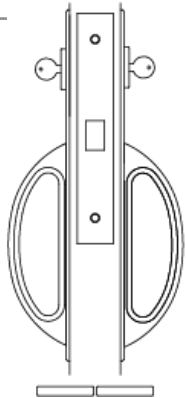
## CH 9144i-ML INSTITUTIONAL PRIVACY WITH OCCUPANCY INDICATOR

Same operation as 9144 Institutional Privacy except outside plate has an occupancy indicator.



## CH 9145ML CLASSROOM

Latch bolt by key outside and handle either side unless outside handle is locked by key.

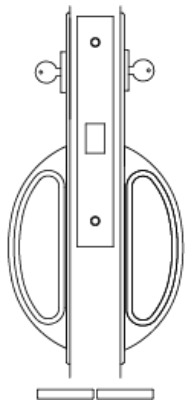


## CH 9145S-ML CLASSROOM SECURITY

Latch bolt by handle either side unless outside handle is locked by key outside or inside.

When locked, latch bolt retracted by key inside or outside or handle inside.

Inside handle is always free.

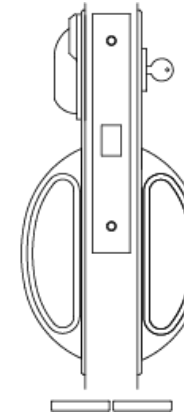


## CH 9146ML CLASSROOM DOUBLE LOCKING

Latch bolt by key from either side.

Key from either side locks and unlocks outside **and** inside handles.\*

*\*Verify code compliance before specifying this function.*



## CH 9153ML ENTRANCE

Latch bolt by key outside and handle either side unless outside handle is locked by thumb turn or key.

Thumb turn locks or unlocks outside handle.

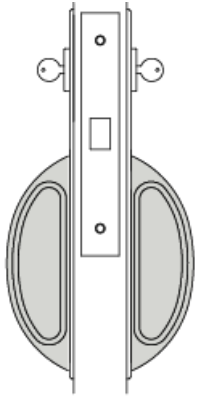
Key will not retract latch as an override. Clutch\* on inside thumb turn required to enable key to unlock the outside handle if inside thumb turn forcibly held.

Operating inside handle will not unlock outside handle if locked.

\*See page 8 for Clutch.



# CH 9100ML MORTISE SET FUNCTIONS

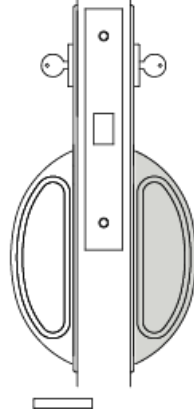


## CH 9158ML INSTITUTIONAL OR ASYLUM

Latch by key either side.

Inside and outside handle always **rigid**.\*

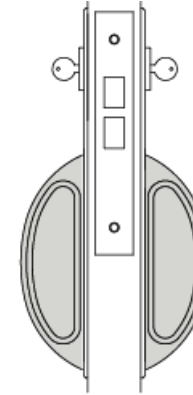
*\*Verify code compliance before using this function.*



## CH 9159ML STOREROOM

Latch by handle inside and key outside.

Outside handle always **rigid**.



## CH 9160ML ASYLUM WITH DEADBOLT

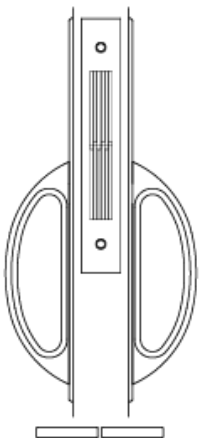
Latch by key either side. Deadbolt by key either side (key projects deadbolt and retracts latch bolt and deadbolt).

Inside and outside handle always **rigid**.\*

*\*Verify code compliance before using this function.*

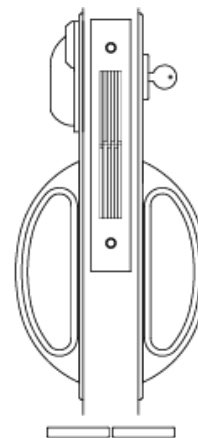
\*See page 8 for Clutch.

# CH 9100MBL MORTISE SET FUNCTIONS



## CH 9125MBL PASSAGE

Latch bolt by handle either side.



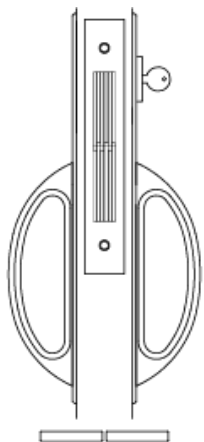
## CH 9144MBL INSTITUTIONAL PRIVACY

Latch bolt by handle either side unless outside handle is locked by thumb turn.

Thumb turn locks or unlocks outside handle.

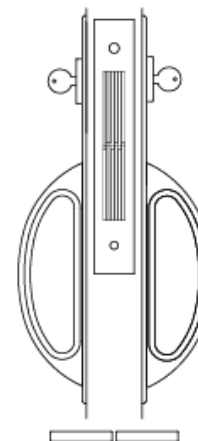
Key will not retract latch as an override. Clutch\* on inside thumb turn required to enable key to unlock the outside handle if inside thumb turn forcibly held.

Outside handle unlocks when inside handle is turned (closing door will not unlock outside handle).



## CH 9145MBL CLASSROOM

Latch bolt by key outside and handle either side unless outside handle is locked by key.



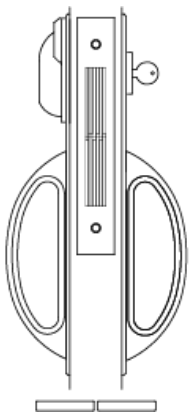
## CH 9146MBL CLASSROOM DOUBLE LOCKING

Latch bolt by key from either side.

Key from either side locks and unlocks outside **and** inside handles.\*

*\*Verify code compliance before specifying this function.*

# CH 9100MBL MORTISE SET FUNCTIONS



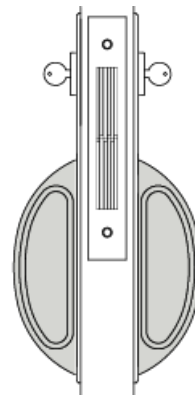
## CH 9153MBL ENTRANCE

Latch bolt by key outside and handle either side unless outside handle is locked by thumb turn or key.

Thumb turn locks or unlocks outside handle.

Key will not retract latch as an override. Clutch\* on inside thumb turn required to enable key to unlock the outside handle if inside thumb turn forcibly held.

Operating inside handle will not unlock outside handle if locked.

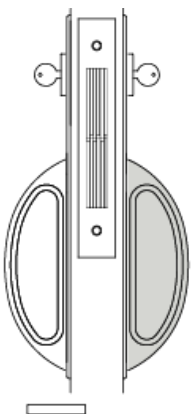


## CH 9158MBL INSTITUTIONAL OR ASYLUM

Latch by key either side.

Inside and outside handle always **rigid**.\*

*\*Verify code compliance before using this function.*



## CH 9159MBL STOREROOM

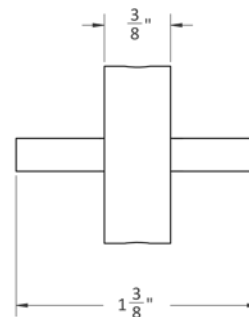
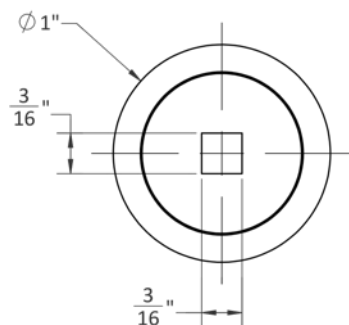
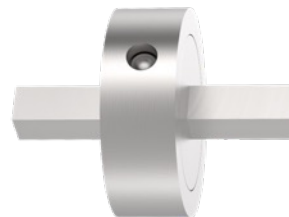
Latch by handle inside and key outside.

Outside handle always **rigid**.

\*See page 8 for Clutch.

# CH 9100ML | CLUTCH

To enable authorized override



## FURNISHED WITH LOCK FUNCTIONS:

CH 9143ML

CH 9143E-ML

CH 9143i-ML

CH 9144ML/ CH 9144MBL

CH 9145ML/CH 9144MBL

CH 9146ML/CH 9146MBL

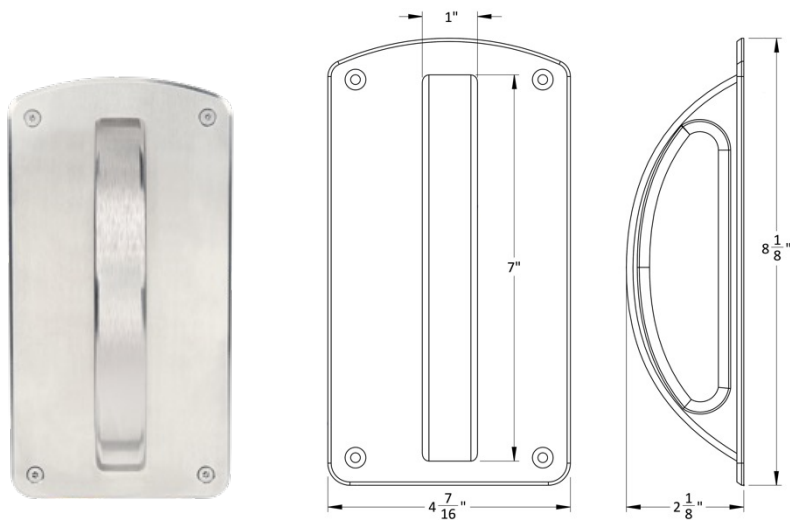
CH 9153ML/CH 9153MBL

CH 9159ML/CH 9159MBL

CH 9160ML

# CRESCENT TRIM: SMALL PLATE (S.PC)

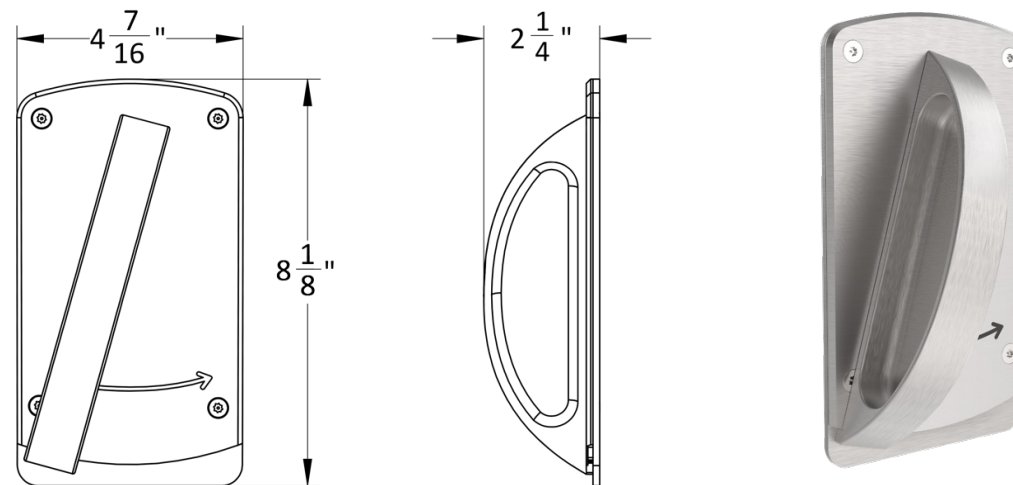
**CP-S  
SMALL PLATE  
(Rigid)**



**FURNISHED WITH LOCK FUNCTIONS:**

CH 9158ML/MBL, CH 9159ML/MBL, CH 9160ML/MBL

**CH-S  
SMALL PLATE  
(Active)**

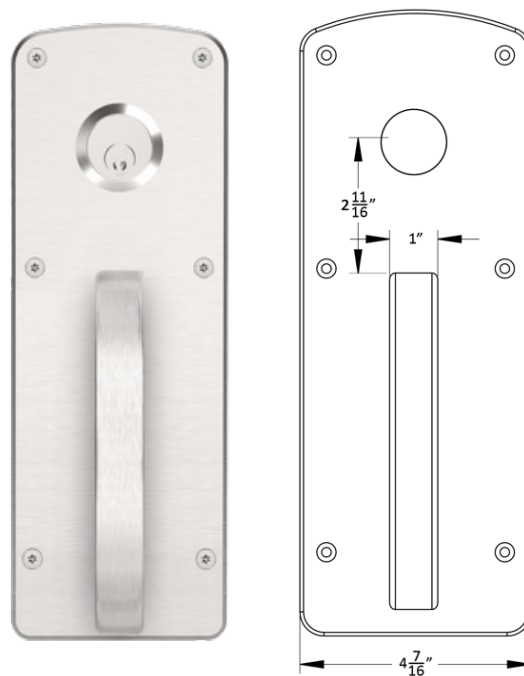


**CAN BE FURNISHED WITH ALL LOCK FUNCTIONS  
THAT REQUIRE AN ACTIVE HANDLE**

CH TRIM FURNISHED BASED ON LOCK FUNCTION WHEN INDICATING S.PC (SEE HOW TO SPECIFY).  
RETROFIT PLATE OPTIONS AVAILABLE UPON REQUEST.

# CRESCENT TRIM: LARGE PLATE (L.PC)

## CP-C CYLINDER CUTOUT (Rigid)



### FURNISHED WITH LOCK FUNCTIONS:

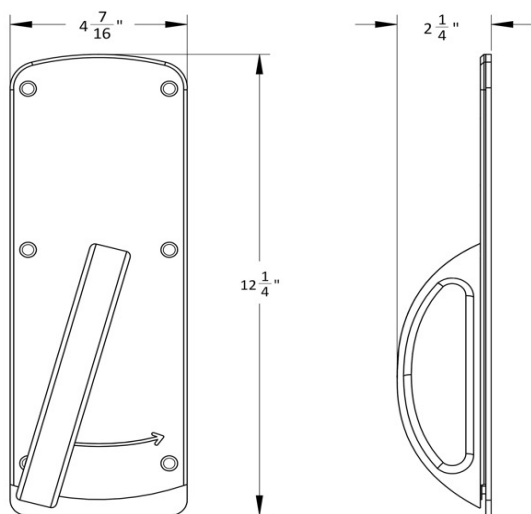
CH 9158ML/MBL, CH 9159ML/MBL,

CH 9160ML

CH TRIM FURNISHED BASED ON LOCK FUNCTION WHEN INDICATING L.PC (SEE HOW TO SPECIFY).  
RETROFIT PLATE OPTIONS AVAILABLE UPON REQUEST.

# CRESCENT TRIM: LARGE PLATE (L.PC)

## CH HANDLE DIMENSIONS



**APPLIES TO ALL ACTIVE  
CRESCENT HANDLES**

## CH-B BLANK



**FURNISHED WITH LOCK FUNCTIONS:**  
CH 9125ML/MBL, CH 9145ML/MBL,  
CH 9159ML/MBL

## CH-C CYLINDER CUTOUT



**FURNISHED WITH LOCK FUNCTIONS:**  
CH 9124ML, CH 9143ML/MBL,  
CH 9144ML/MBL, CH 9145ML/MBL,  
CH 9146ML/MBL, CH 9153ML/MBL,  
CH 9158ML/MBL, CH 9159ML/MBL

## CH-Ci CYLINDER CUTOUT WITH INDICATOR



**FURNISHED WITH LOCK FUNCTIONS:**  
CH 9143i-ML, CH 9144i-ML

**CH TRIM FURNISHED BASED ON LOCK FUNCTION  
WHEN INDICATING L.PC (SEE HOW TO SPECIFY).  
RETROFIT PLATE OPTIONS AVAILABLE UPON REQUEST.**

# CRESCENT TRIM: LARGE PLATE (L.PC)

**CH-E**  
**FLUSH EMERGENCY**  
**RELEASE**



**FURNISHED WITH LOCK FUNCTIONS:**

CH 9143E-ML, CH 9144E-ML

**CH-T**  
**INTEGRATED THUMB TURN**



**FURNISHED WITH LOCK FUNCTIONS:**

CH 9143ML, CH 9143E-ML,  
 CH 9144ML/MBL, CH 9144E-ML, CH 9153ML/MBL

**CH-Ti**  
**INTEGRATED THUMB TURN**  
**WITH INDICATOR**



**FURNISHED WITH LOCK FUNCTIONS:**

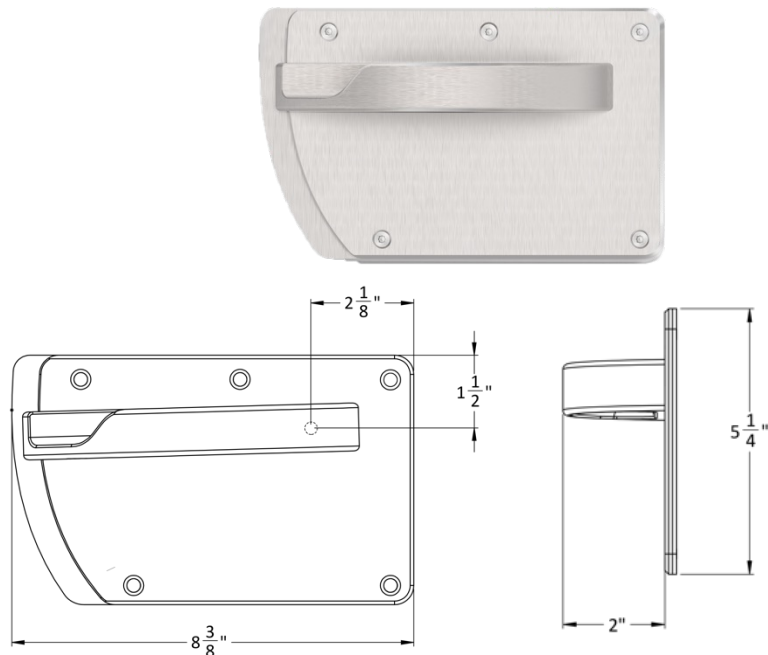
CH 9143i-ML, CH 9144i-ML

CH TRIM FURNISHED BASED ON LOCK FUNCTION  
 WHEN INDICATING L.PC (SEE HOW TO SPECIFY).  
 RETROFIT PLATE OPTIONS AVAILABLE UPON REQUEST.



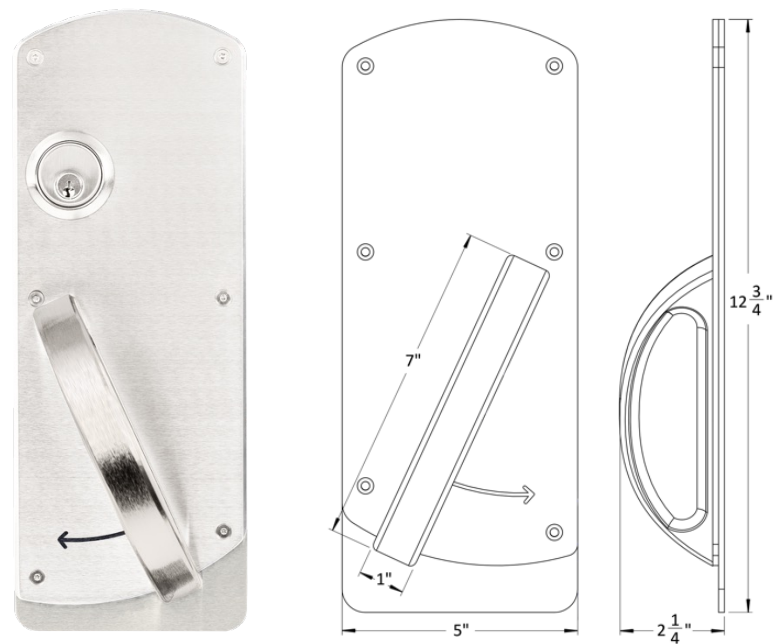
# OTHER CRESCENT TRIM

## HCH HORIZONTAL CRESCENT HANDLE



Operation and appearance of horizontal lever with a crescent shape for ligature resistance. Specify as HCH.

## BA BREAKAWAY TRIM



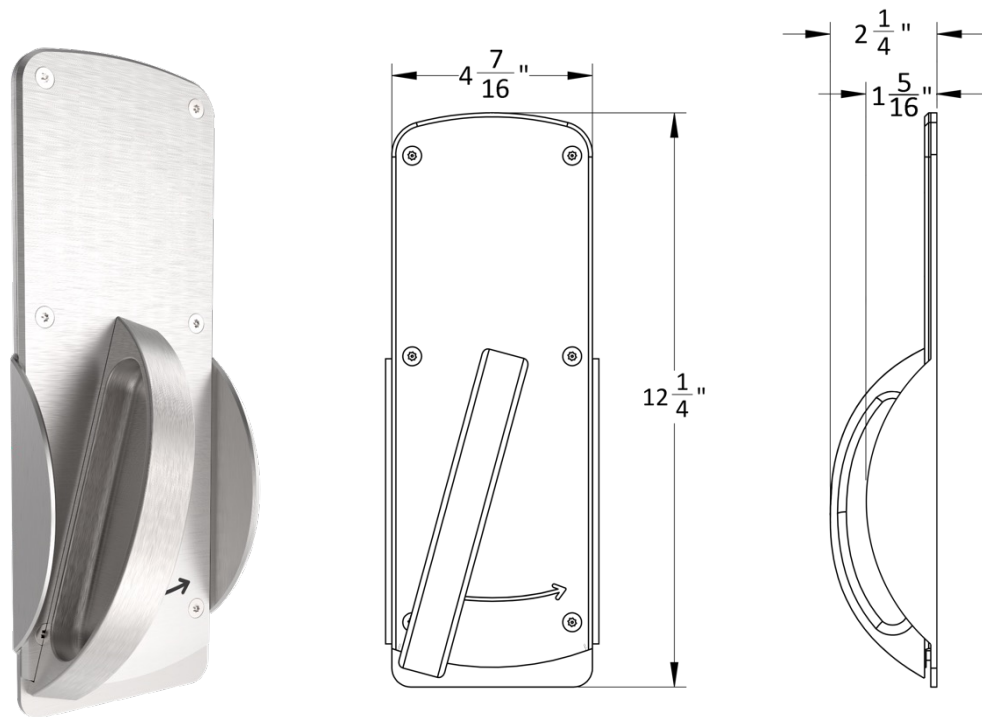
Safety trim designed to work with anti-barricade strategies including specialty stops (e.g. Kingsway, Pemko, etc). Specify as BA.

CH TRIM FURNISHED BASED ON LOCK FUNCTION  
(SEE HOW TO SPECIFY).  
RETROFIT PLATE OPTIONS AVAILABLE UPON REQUEST.

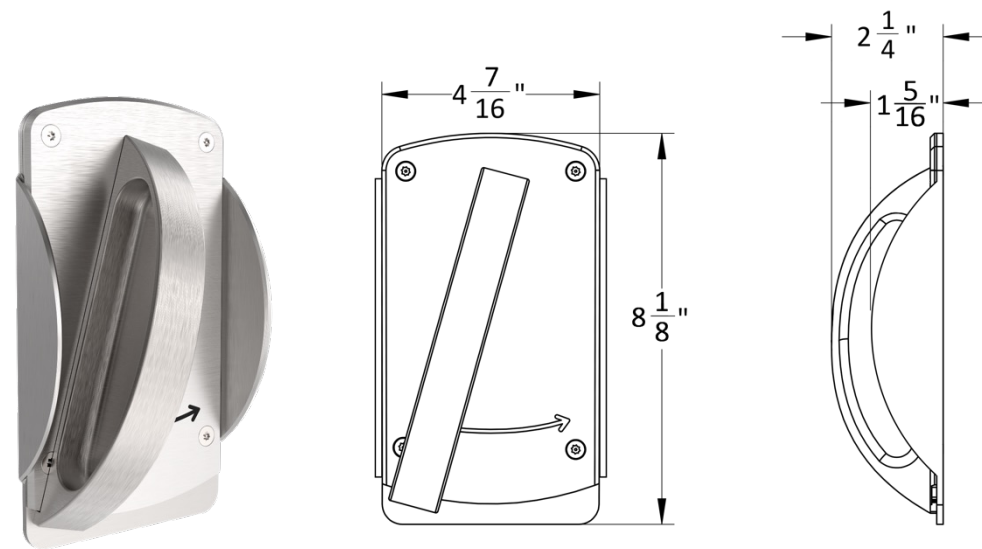
# OTHER CRESCENT TRIM

Anti-vandal crescent trim provides additional protection with its 'winged' design, preventing damage caused by carts or other heavy items hitting the doors.

## ANTI-VANDAL TRIM (L.PC)



## ANTI-VANDAL TRIM (S.PC)

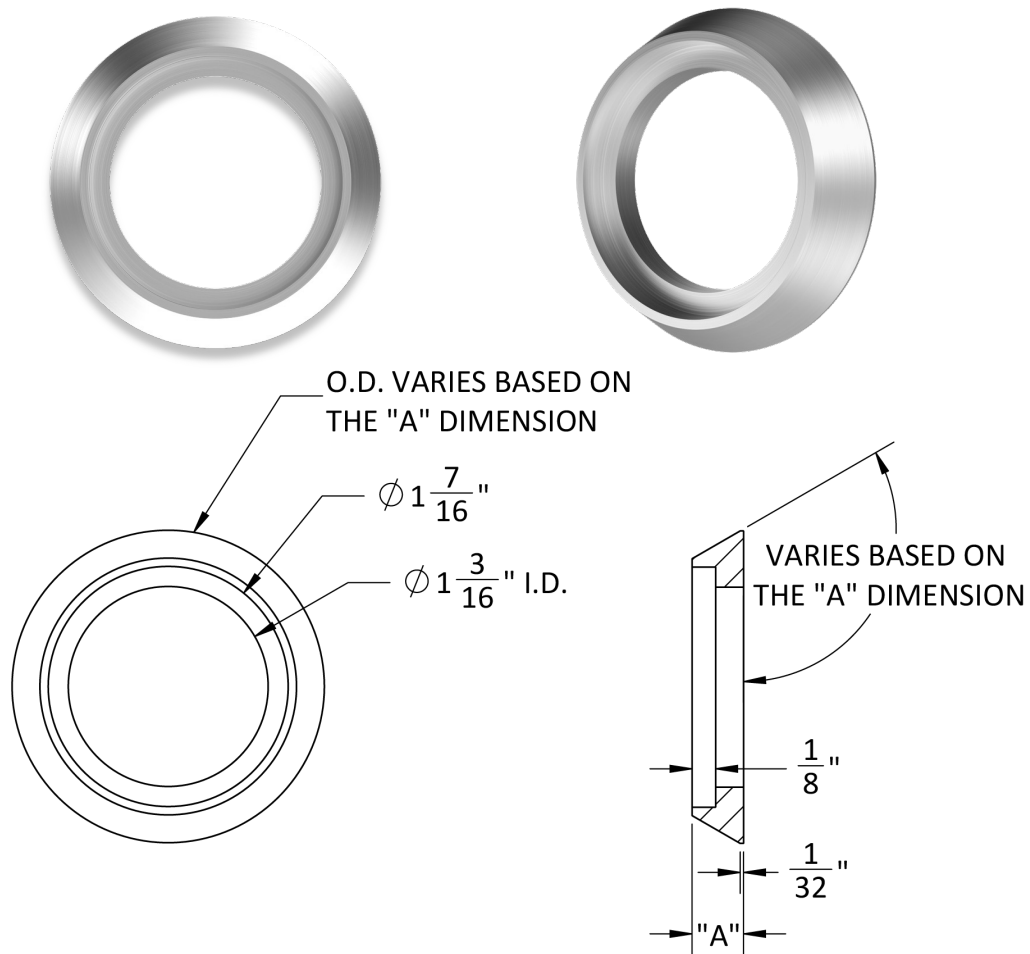


CH TRIM FURNISHED BASED ON LOCK FUNCTION.  
SPECIFY AV AS SPECIAL OPTION (SEE HOW TO SPECIFY).  
RETROFIT PLATE OPTIONS AVAILABLE UPON REQUEST.

# LIGATURE RESISTANT CYLINDER COLLARS

## FOR MORTISE TYPE CYLINDERS

### LRCC



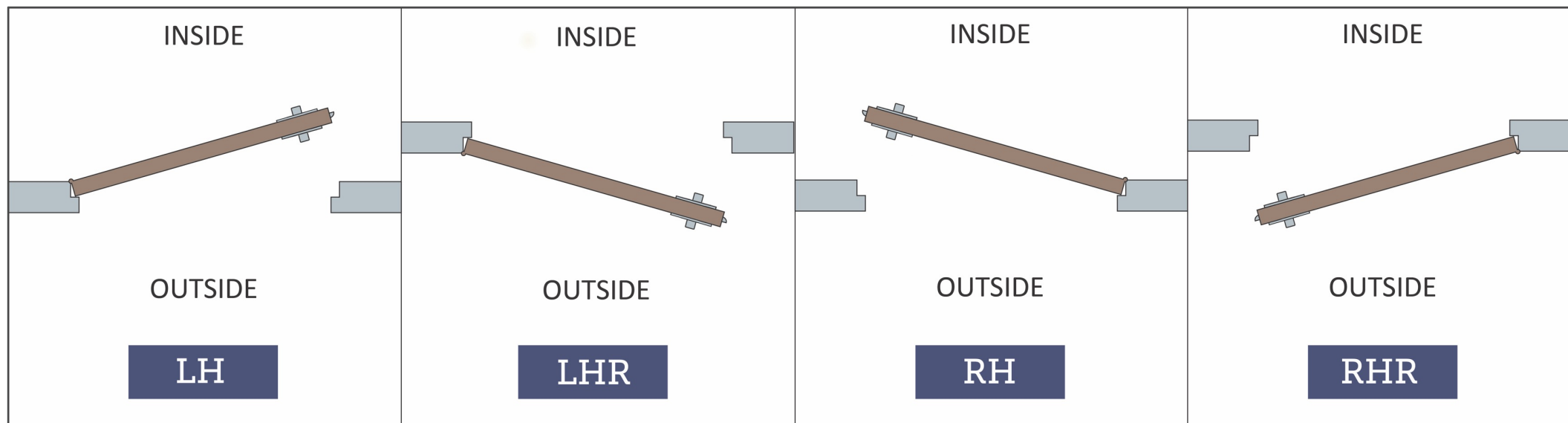
Cylinder Length	P/N (for CH Mortise Sets with Active Crescent Plates)*	P/N (for CH Mortise Sets with Dummy Crescent Plates)*
1 1/8"	LRCC.187	LRCC.312
1 1/4"	LRCC.312	LRCC.437
1 3/8"	LRCC.437	LRCC.562
1 1/2"	LRCC.562	LRCC.687
OTHER	LRCC.A Indicate required thickness OR specify cylinder length and lockset from list below	LRCC.A Indicate required thickness OR specify cylinder length and lockset from list below
	For CH9122, CH9124, CH9142, CH9143, CH9143i, CH9144, CH9144i, CH9145, CH9145S, CH9146, CH9148, CH9153, CH9156, CHM9158E, CHM9159E sets	For CH9158, CH9159, CH9147i, CH9160 sets

\*Part numbers/sizes are based on sets for 1 3/4" thick doors, using L-PC style Crescent plates.

**SPECIFY LRCC.A AS SPECIAL OPTION BASED ON CYLINDER APPLICATION OR LENGTH (SEE HOW TO SPECIFY).**

# HOW TO SPECIFY

## HANDING

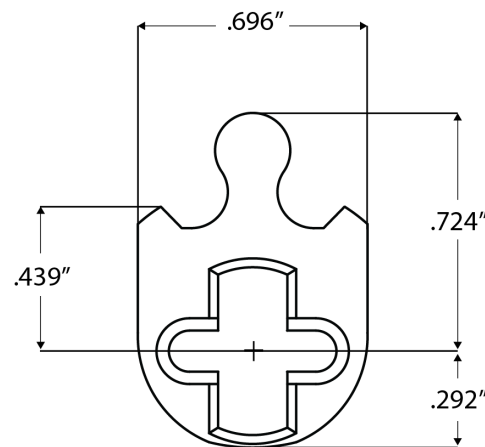


## FINISHES

Standard Finish US26D/US32D.

AM anti-microbial coating is available.

Please [contact us](#) regarding availability of other finishes.



## CYLINDERS & KEYING

CH 9100ML Mortise Sets accept any standard American mortise cylinder. For details on required cams and compatibility with other manufacturers' cylinders, please visit: [Accurate Support](#).

# HOW TO SPECIFY

## CH FUNCTION [ML or MBL].BACKSET.TRIM OPTIONS.FINISH.HAND.134.SPECIAL OPTIONS

### Functions

See available functions  
(pgs. 7-11)

### ML

Standard Magnetic Latch

### MBL

Magnetic Beveled Latch

### Backset

Standard 2-3/4"  
(3-3/4", 5" or 6" available)

### Trim Options

S.PC – Small Plate  
L.PC – Large Plate  
HCH – Horizontal Crescent  
BA - Breakaway

### Finishes

US26D/US32D  
AM Anti-microbial

### Special Options

- **Specify SP:** SilentPac™ Lever Dampening Disc
- **Specify ETCH:** Custom Etching
- **Specify AV:** Anti-Vandal Trim
- **Specify LRCC.A:** Ligature Resistant Cylinder Collar ('A' based on cylinder application or length)

## EXAMPLES

Crescent Magnetic Latch | Institutional Privacy | Large Plate

E.g.: CH 9144E-ML.234.L.PC.US26D.RH.134

Crescent Magnetic Beveled Latch | Passage | Small Plate

E.g.: CH 9125MBL.234.S.PC.US26D.RH.134

Crescent Magnetic Beveled Latch | Classroom Lock | Small Plate

E.g.: CH 9145MBL.234.S.PC.US26D.AM.LH.134

Crescent Magnetic Latch | Institutional Privacy | Horizontal Crescent Handle  
Cylinder Collar (1<sup>1/8</sup>" Cylinder Length)

E.g.: CH 9143ML.234.HCH.US26D.RHR.134.LRCC.187

Crescent Magnetic Latch | Storeroom Door | Anti-Vandal Trim

E.g.: CH 9159ML.234.L.PC.US26D.RH.134.AV

Crescent Magnetic Latch | Storeroom | Large Plate

E.g.: CH M9159ML.234.L.PC.US26D.LHR.134

**ACCURATE LOCK & HARDWARE  
MANUFACTURERS OF LOCKS AND  
CUSTOM ARCHITECTURAL HARDWARE**

1 Annie Place | Stamford, CT 06902

**P:** 203.348.8865

**F:** 203.348.5234

**E:** sales@accuratelockandhardware.com

**www.accuratelockandhardware.com**



**AMERICAN CRAFTED  
— SINCE 1972 —**