



ACCURATE
LOCK & HARDWARE
AMERICAN CRAFTED SINCE 1972

LR-SW LIGATURE RESISTANT SWINGING DOOR SYSTEM
TO PROVIDE SAFETY + PRIVACY FOR PATIENT BATHROOMS



LR-SW SWINGING DOOR SYSTEM

Designed to be a heavy-duty, cost-effective solution that provides increased safety and privacy in the bathroom.

This patented swinging door solution can hold over 300lbs of weight and operates without springs, which removes possible ligature points and allows the door to swing in both directions. It can open to 90° in either direction, stay open by design, and when moved to approximately 60° will self-close centered to the opening.



LR SWINGING DOOR

TOP VIEW



BOTTOM VIEW



LR SWINGING DOOR

DOOR CAN STAY IN OPEN POSITION



WATCH THE VIDEO



LR-SW DOOR OPTIONS

FROSTED POLYCARBONATE (Standard)



WOOD GRAIN (Simulated Wood Finish Option on Plastic Shown, Crescent Handle Optional)



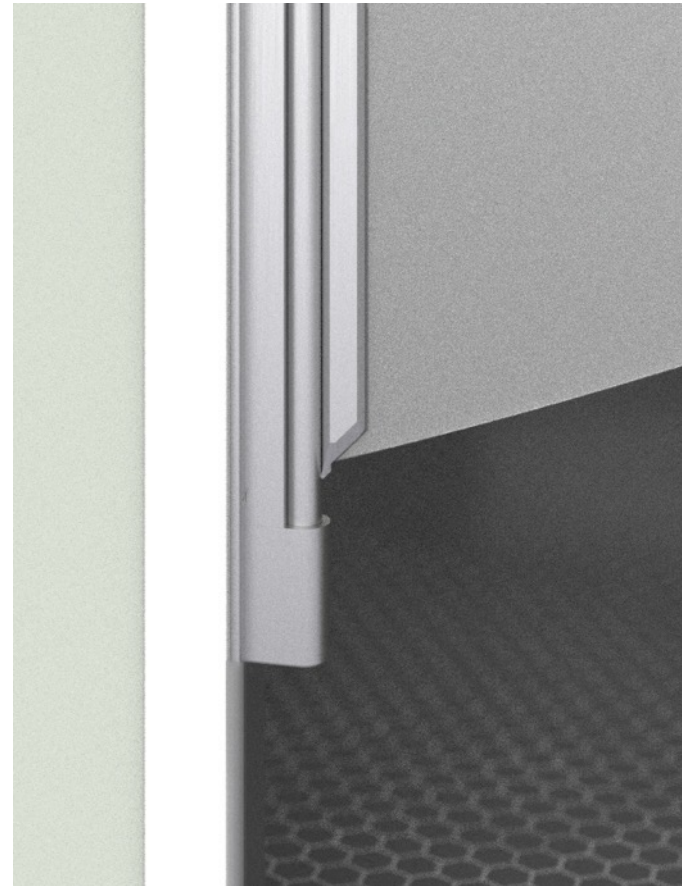
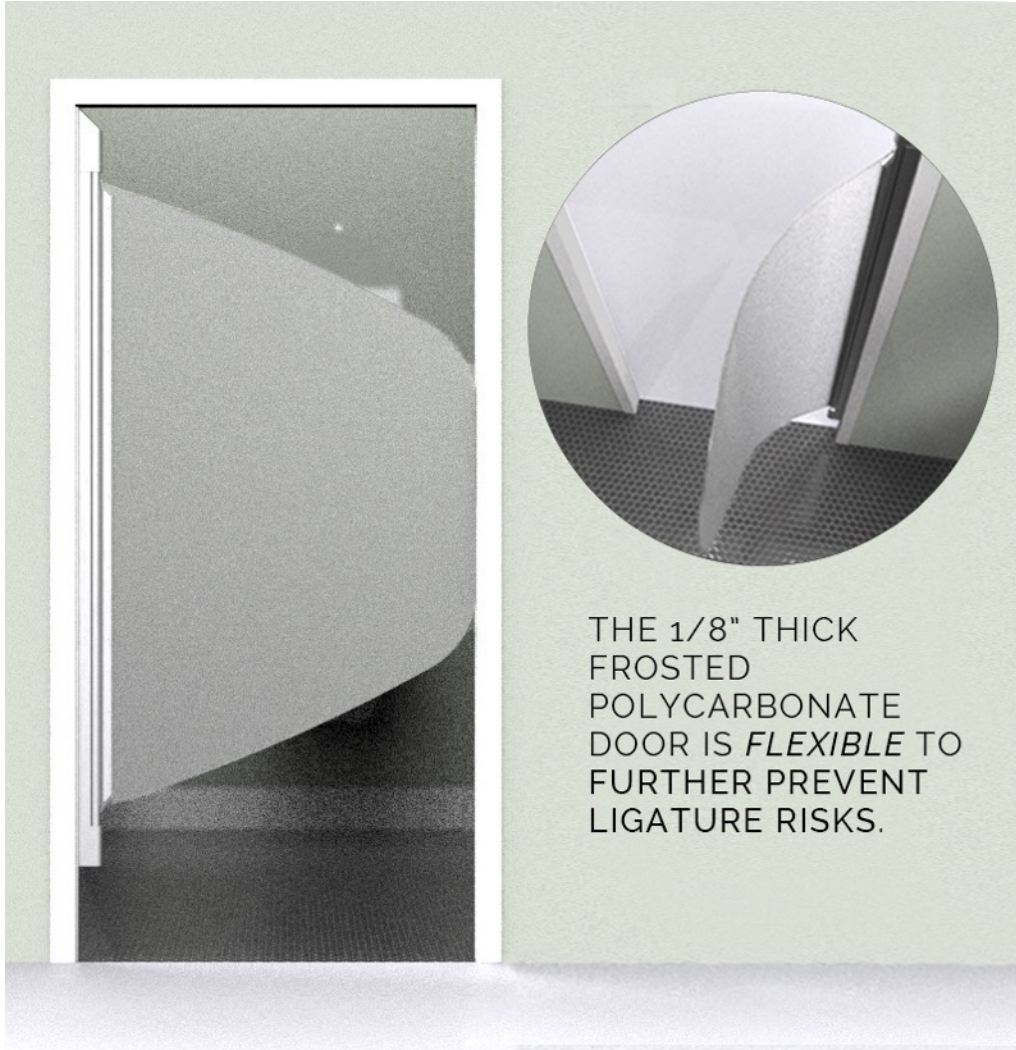
The top of the door can be crowned, square or customized to meet specifications.



LR-SW DOOR OPTIONS

LR-SW-DS

Double Slope Door



BOTTOM CLOSE UP



TOP CLOSE UP

LR-SW FOR POSITIVE DISTRACTION

HDPE PLASTIC COLOR OPTIONS



Any HDPE plastic door option can act as one large interactive panel offering a positive distraction. Patients can draw on the door with marker to personalize their own space. The door can be easily wiped clean with rubbing alcohol and a cloth.

[WATCH THE VIDEO](#)



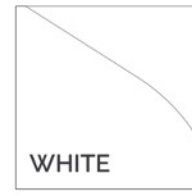
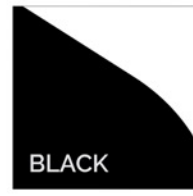
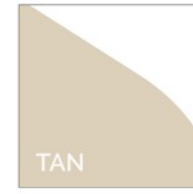
The top of the door can be crowned, square or customized to meet specifications. Contact us for additional color options.

LR-SW DOOR OPTIONS

HDPE PLASTIC COLOR OPTIONS

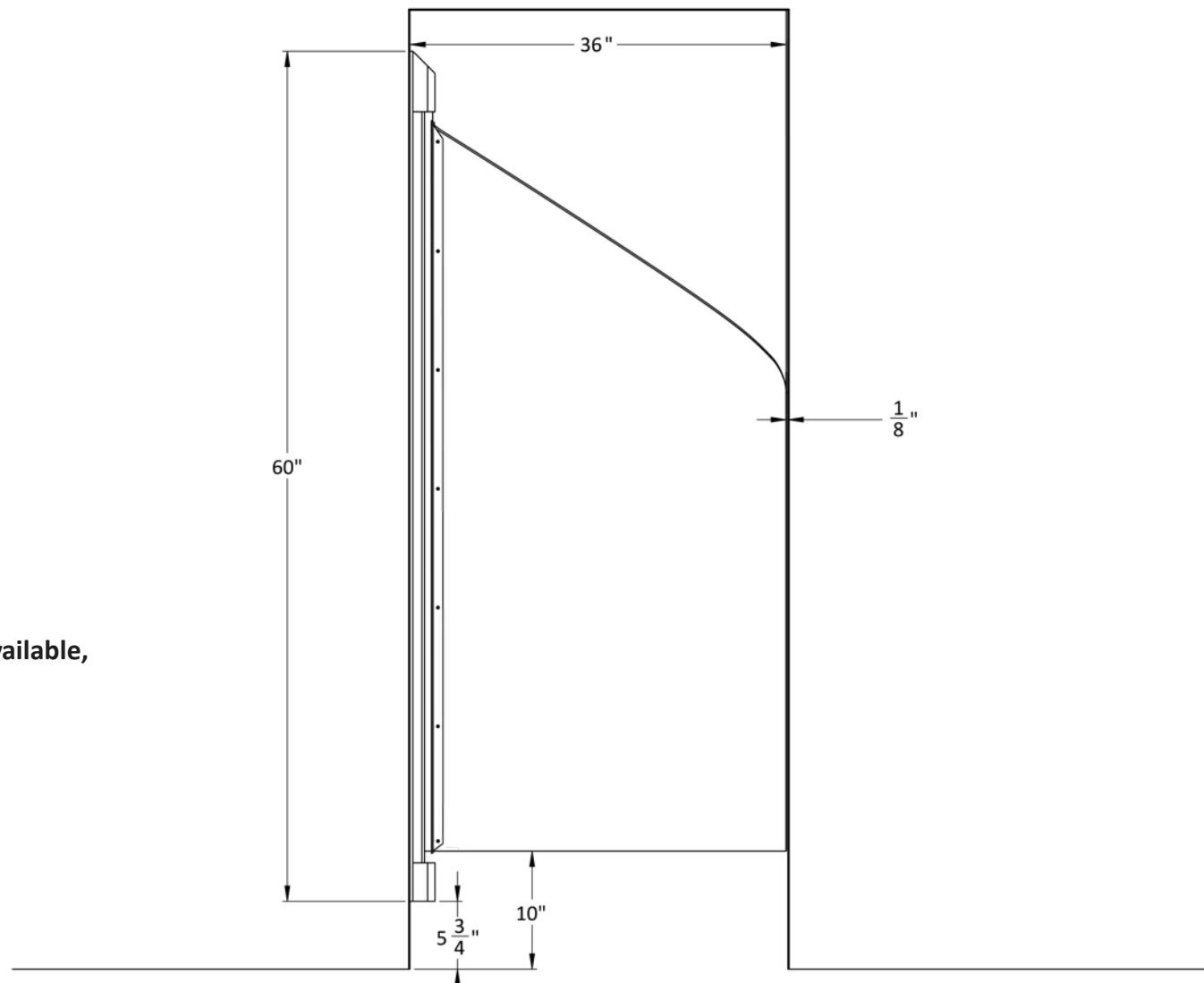
Specify HDPE.COLOR

E.g. HDPE.BLUE



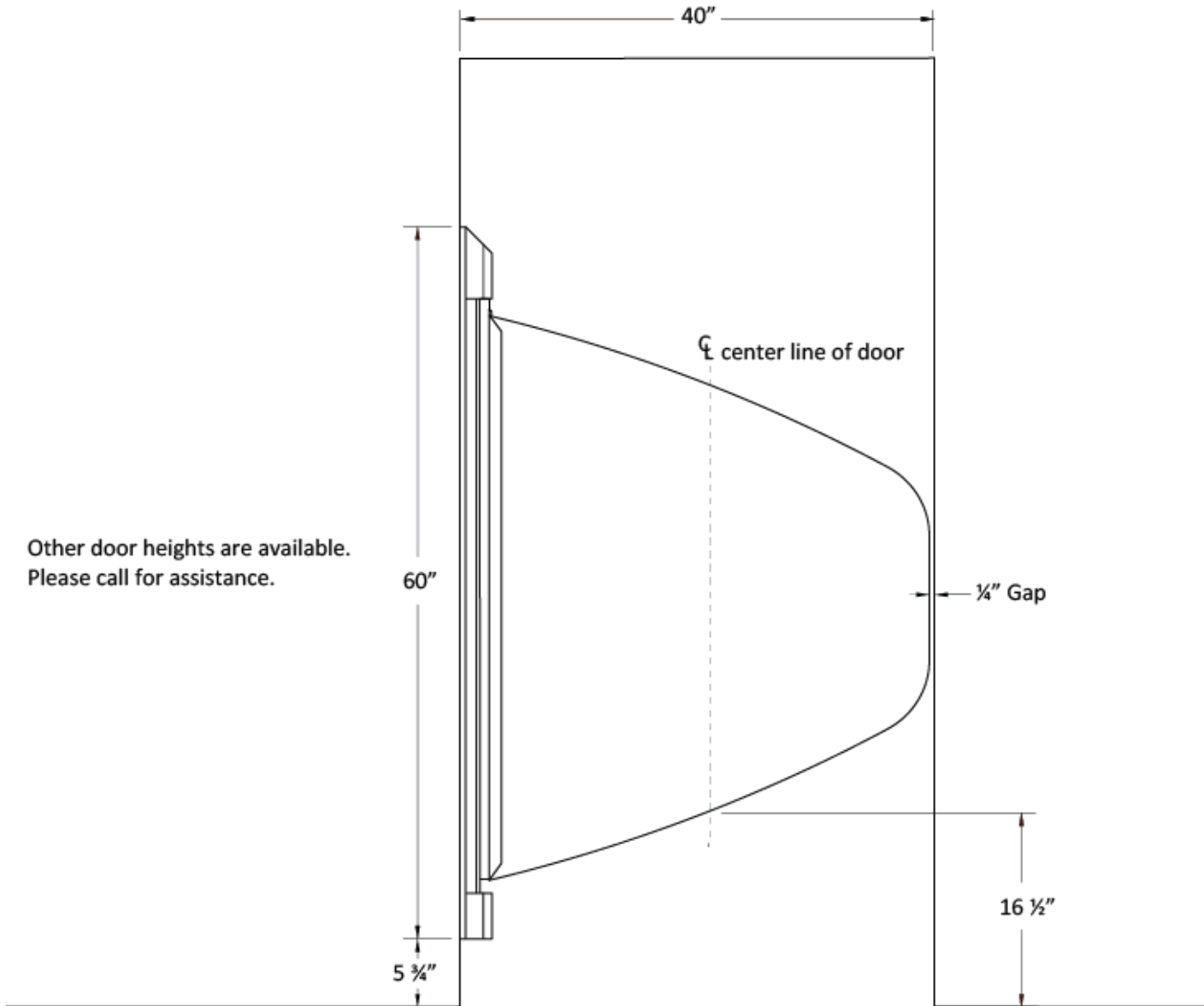
The top of the door can be crowned, square or customized to meet specifications. Contact us for additional color options.

LR-SW EXAMPLE DIMENSIONS

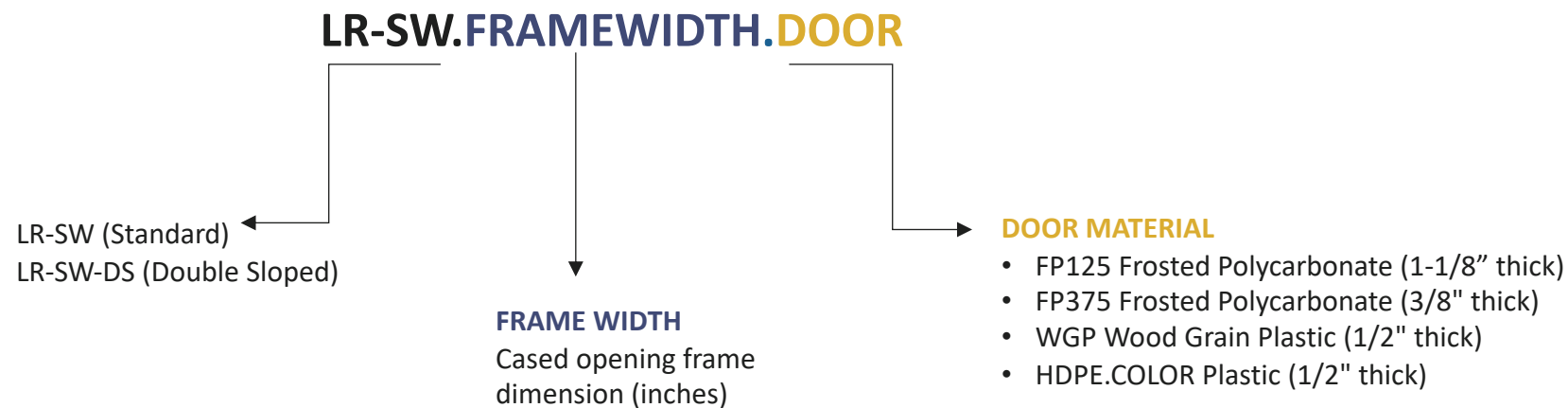


Other door heights are available,
please call for assistance.

LR-SW-DS EXAMPLE DIMENSIONS



HOW TO SPECIFY



EXAMPLES

LR-SW | Frosted Polycarbonate Standard

E.g. LR-SW.36.FP375

LR-SW-DS | Frosted Polycarbonate Double Slope Door

E.g. LR-SW-DS.36.FP125

LR-SW | HDPE Plastic Door Color

E.g. LR-SW.40.HDPE.BLUE

LR-SW | Wood Grain Plastic Door

E.g. LR-SW.48.WGP

NOTES

- When using other manufacturers' doors, please specify door thickness (3/4" maximum).
- Custom system heights available, please call for assistance.
- The top of the door can be crowned, square or customized to meet specifications.
- Optional Crescent Pull, please call for assistance.

**ACCURATE LOCK & HARDWARE
MANUFACTURERS OF LOCKS AND
CUSTOM ARCHITECTURAL HARDWARE**

1 Annie Place | Stamford, CT 06902

P: 203.348.8865

F: 203.348.5234

E: sales@accuratelockandhardware.com

www.accuratelockandhardware.com



**AMERICAN CRAFTED
— SINCE 1972 —**