



ACCURATE

LOCK & HARDWARE

AMERICAN CRAFTED SINCE 1972

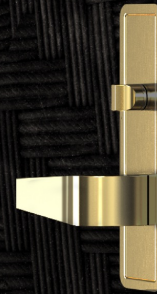
9800ML INTERIOR MAGNETIC LATCH

FOR A SEAMLESS + MINIMALISTIC DOORWAY

INTERIOR MAGNETIC LATCH

9800ML

The Magnetic Latch offers a seamless doorway to complement the most discerning design vision. A powerful, rare-earth magnet projects the latch bolt to secure the door with no visible strike. For use on standard and narrow stile doors in privacy and passage functions in a variety of finishes.



9839ML-USD PRIVACY MAGNETIC LATCH SHOWN WITH ACCESS BY ACCURATE TRIBECA LEVER

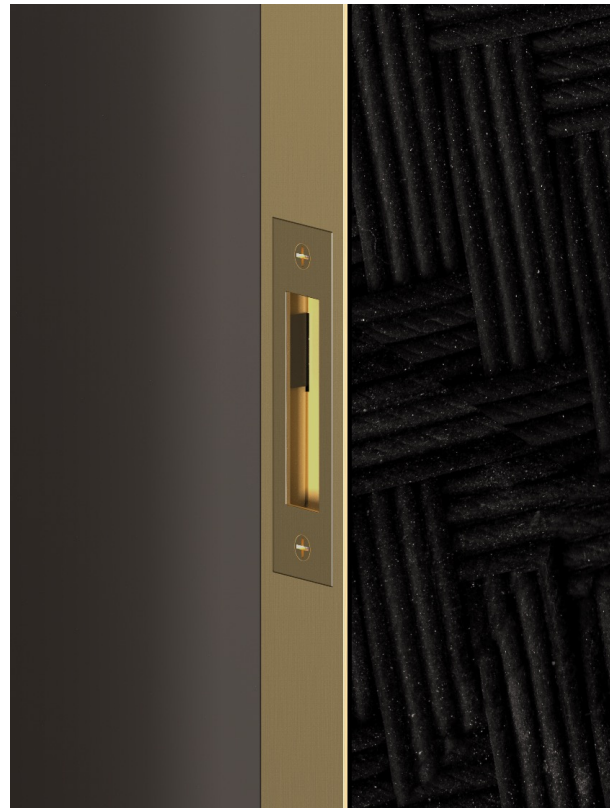
9800ML Magnetic Latch

DOOR CLOSED



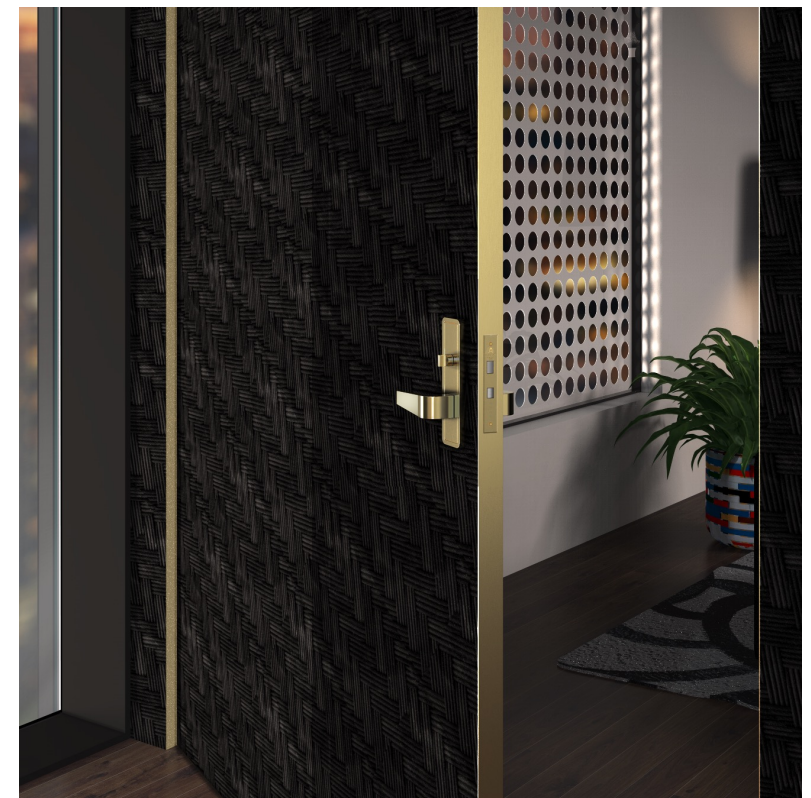
Rare-earth Magnet Pulls Latch into Strike

STRIKE



Non-lipped Strike is Flush to Door Jamb

DOOR OPEN



Latch Does Not Protrude from Lock in Open Position

9800ML Magnetic Latch



The invisible strike allows for a clean, minimalistic doorway. The rare-earth magnet pulls the latch into the strike, quietly securing the door.



9800ML Product Benefits

TRIM

- Features 2-7/8" vertical spacing to allow for larger trim designs. For use with [Accurate Trim](#) or prepared for other manufacturers' trim, for compatibility please verify vertical spacing as well as through-bolting locations.

HUB ADJUST

- Furnished standard with Hub Adjust Feature which keeps levers perfectly level and can easily be adjusted onsite. *(Not available on 2" backset.)*

FUNCTIONS

- Passage, privacy and bit key functions.
- Furnished standard with European style installation (Lever High), available to order as Upside Down (Lever Low).

SPECIAL OPTIONS

- Custom backsets, marine grade, rabbeted kits available.
- Pair with [SilentPac™ Lever Dampening Disc](#) to diminish noise by making lever return smooth and slow, avoiding the abrupt snapback of levers into place.



9839ML PRIVACY MAGNETIC LATCH

9800ML Technical Details

BACKSETS: 2", 2¹/₂", 2³/₄" backset for door stiles starting at 3¹/₄"

(Note: lock body measures 2⁷/₈" overall for a 2" backset)

CASE: Heavy Gauge Steel (³/₄" thick)

ARMOR FRONT: Adjustable bevel. Made from brass, bronze or stainless steel and finished as required.

LATCH BOLT: ⁷/₁₆" throw. Magnetic stainless steel.

DEADBOLT: Brass or stainless steel. ¹/₂" throw.

HUBS: Available in different sizes to be compatible with various trim options.

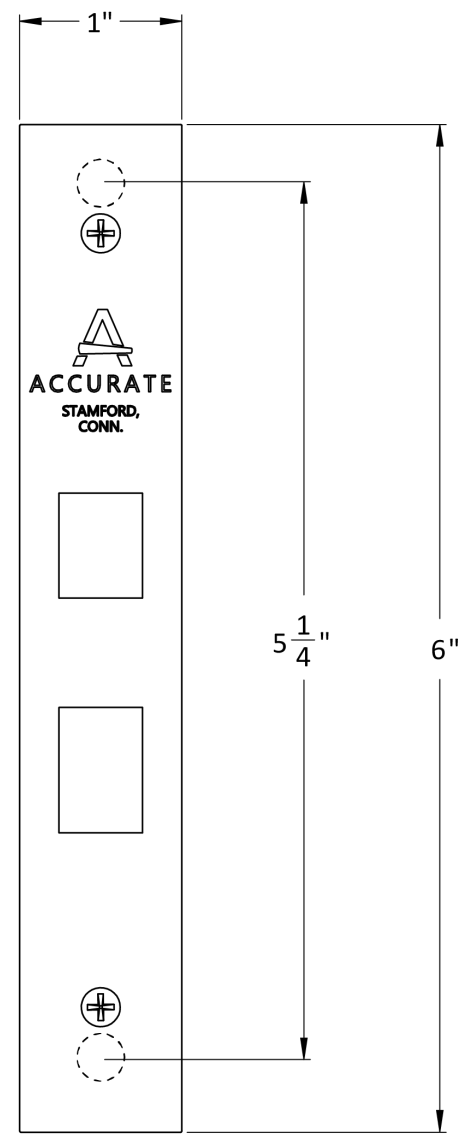
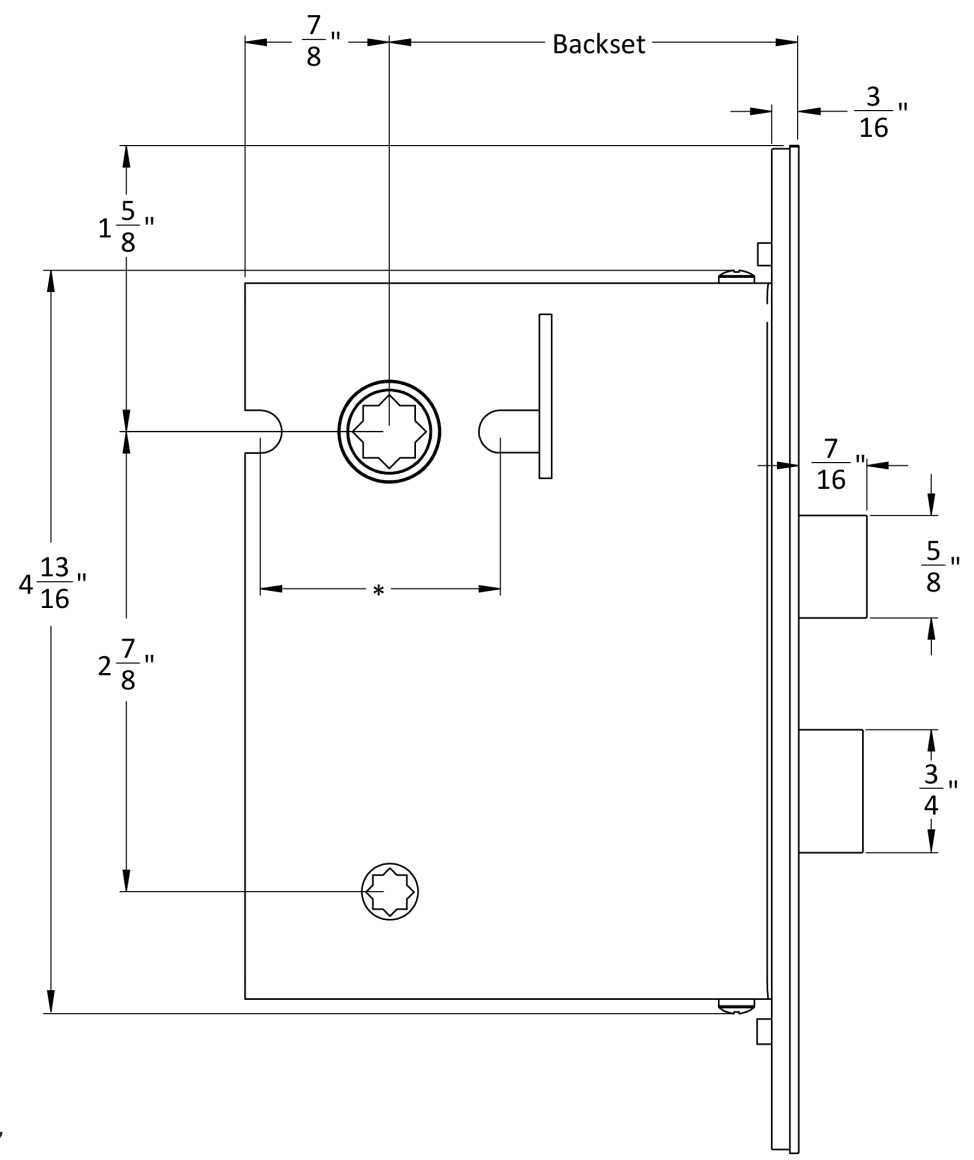
THUMB TURN HUB: ³/₁₆" (5mm). Special 6mm square hub available as special order.



9839ML PRIVACY MAGNETIC LATCH



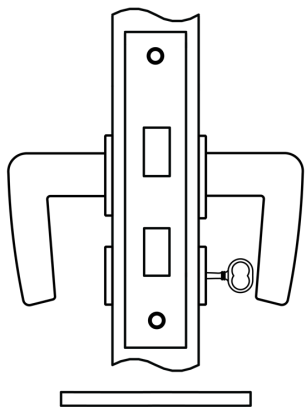
9800ML Dimensions



Backset 2", 2 $\frac{1}{2}$ ", or 2 $\frac{3}{4}$ "
 Custom backsets are available upon request.

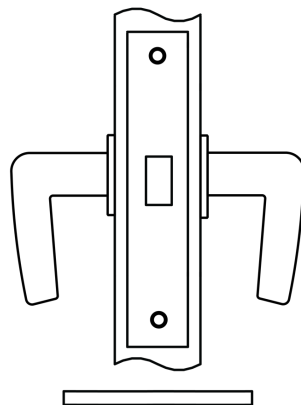
9839ML PRIVACY MAGNETIC LATCH

9500ML Functions



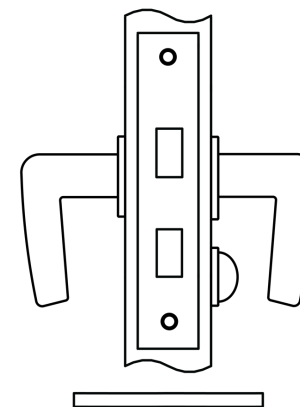
9824ML **INTERIOR BIT KEY MAGNETIC LATCH**

Latch bolt by knob or lever either side.
Deadbolt by bit key inside and outside.
One solid brass bit key furnished with each
lock.



9825ML **INTERIOR PASSAGE MAGNETIC LATCH**

Latch bolt by lever either side



9839ML **INTERIOR PRIVACY MAGNETIC LATCH**

Latch bolt by knob or lever either side.
Deadbolt by turn piece inside and optional
emergency key outside.

9800ML Trim Example

**ACCESS BY ACCURATE
TRIBECA PRIVACY SET**



SEE MORE: [Access by Accurate Trim Options](#)

SEE MORE: [Accurate Trim Options](#)

HOW TO SPECIFY

FUNCTION.BACKSET.TRIM.FINISH.DOORTHICKNESS

FUNCTION

See available functions (pg. 8)

BACKSET

2", 2¹/₂", 2³/₄"
Other backsets
available upon
request

TRIM

[Accurate trim](#)
or specify other trim
manufacturers or spindle size

FINISHES

See available
finishes (below)

EXAMPLES

Interior Magnetic Latch | Privacy | Accurate Trim
E.g.: 9839ML.212.29L/1R.US26D.134

Interior Magnetic Latch | Passage | Accurate Trim
E.g.: 9825ML.234.19L/1R.US4.134

Interior Magnetic Latch | Bit Key | Other Manufacturers' Trim
E.g.: 9824ML.2.LxL.8mm.US19.134

ACCURATE TRIM

Specify Accurate levers, roses, escutcheons,
pulls, etc. [Click or scan to see trim options.](#)



SCAN HERE

FINISHES

GROUP 1: US4, US4NL, US32D*, US26D

GROUP 2: US3, US3NL, US26, US32*, US9*, US10*,
US10B, US14, US15, US19

GROUP 3: BN, BB, TN, TB, DURO, ESN, US15A,
US5,US19LL

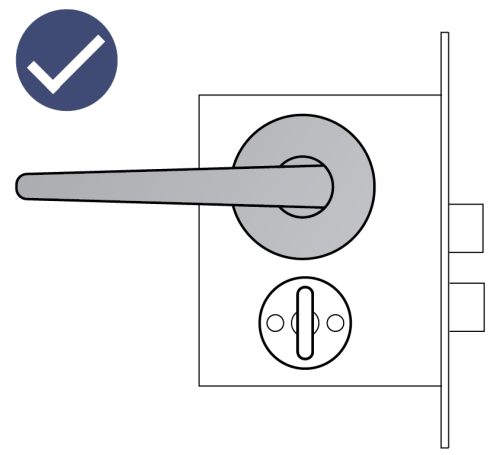
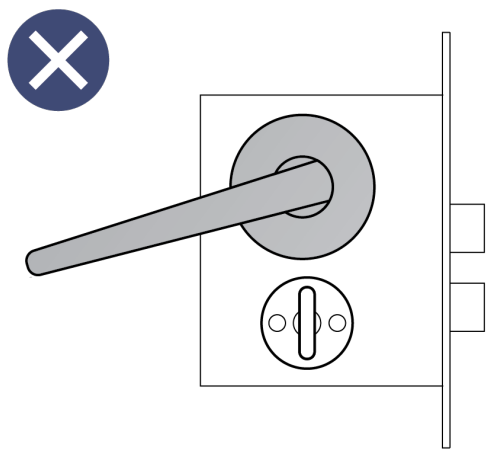
* Trim options (including Accurate Levers) may not be
available in US32D, US32, US9, or US10 finish. Please
call for assistance.

To view example of finishes visit: [Accurate Finishes.](#)

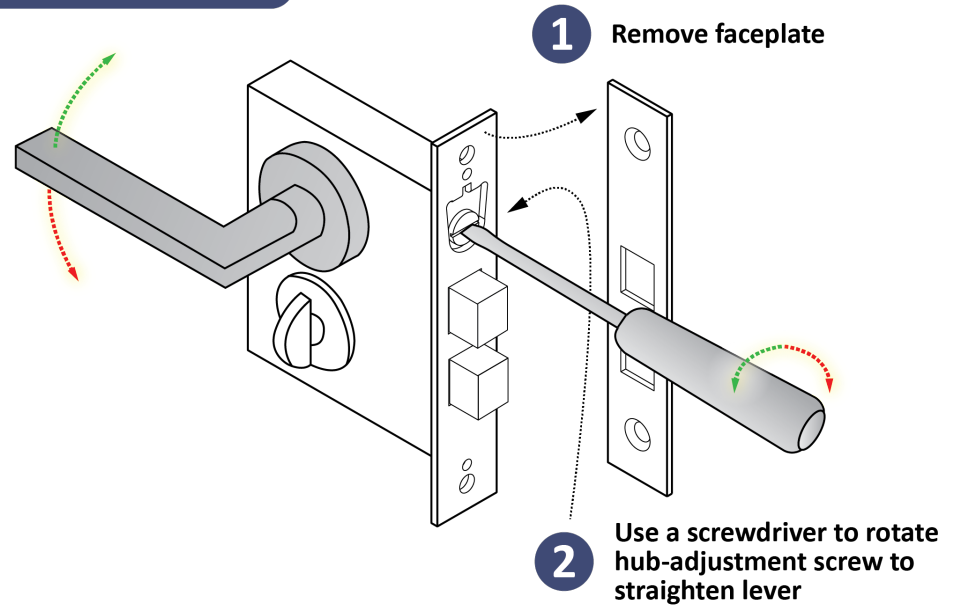
*Note: For compatibility with other manufacturers' trim please call for assistance.

HUB ADJUST FEATURE

Standard feature on 9500ML/9800ML
(Not available on 2" Backset)



How To:



**ACCURATE LOCK & HARDWARE
MANUFACTURERS OF LOCKS AND
CUSTOM ARCHITECTURAL HARDWARE**

1 Annie Place | Stamford, CT 06902

P: 203.348.8865

F: 203.348.5234

E: sales@accuratelockandhardware.com

www.accuratelockandhardware.com



AMERICAN CRAFTED
— SINCE 1972 —