



ACCURATE LOCK & HARDWARE

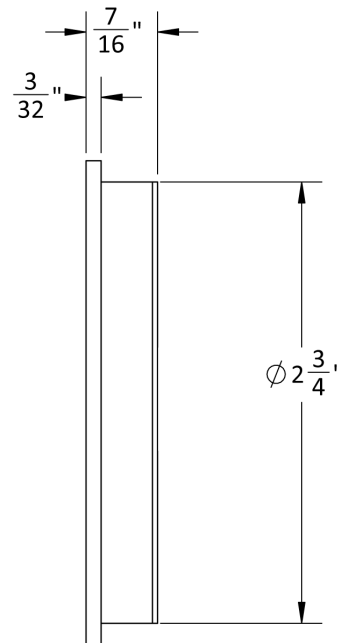
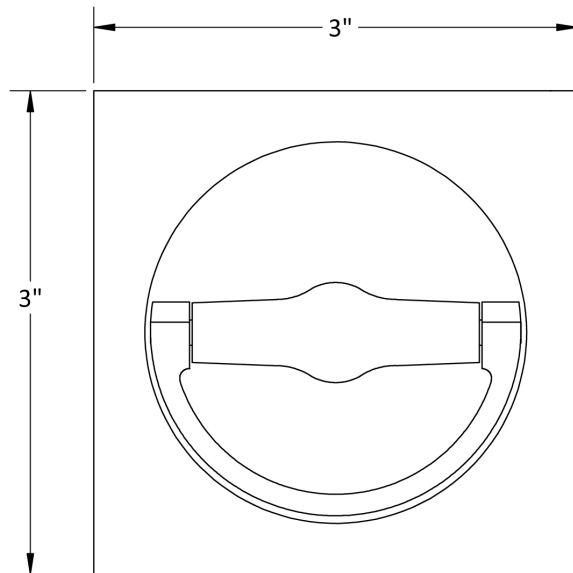
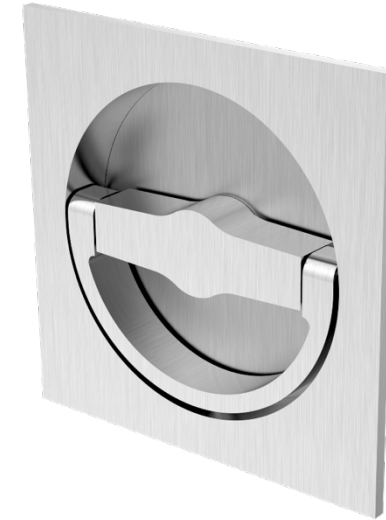
AMERICAN CRAFTED SINCE 1972

Drop Ring Pulls

BRASS	US15	22pcs
FC3004		

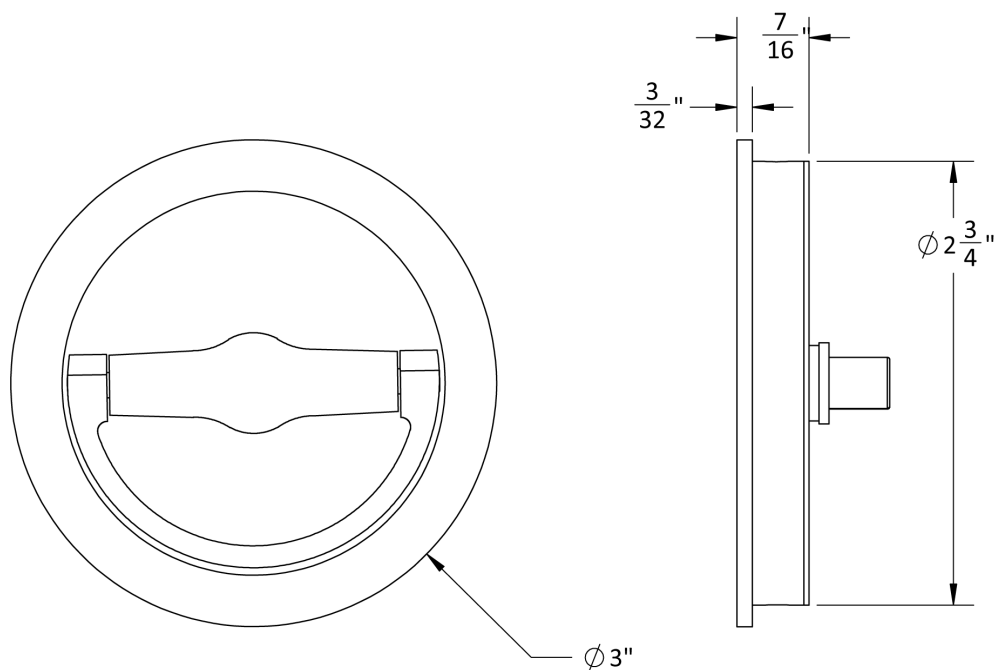
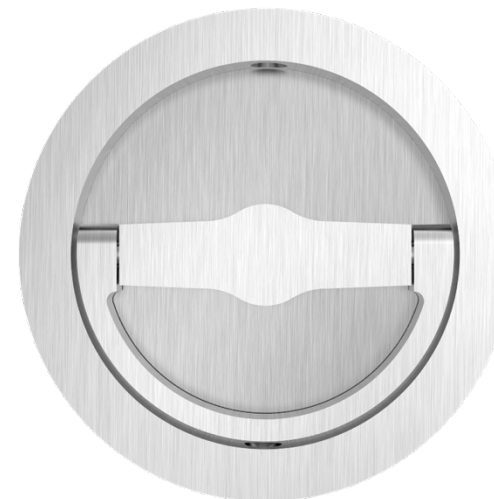
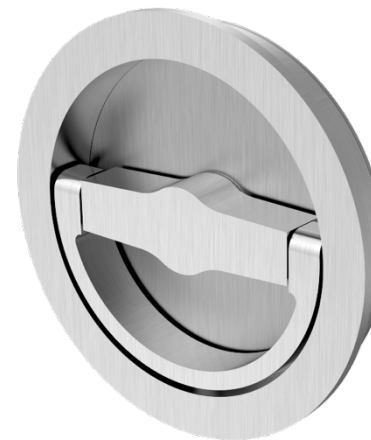
22DR: Square Drop Ring Pull | Concealed Fasteners

- Dummy ring pull
- Surface mounted installation
- Can be customized for:
 - Use with mortise locks in lieu of knobs
 - Through-bolted installation
 - To oppose knob or lever on the other side – call for assistance



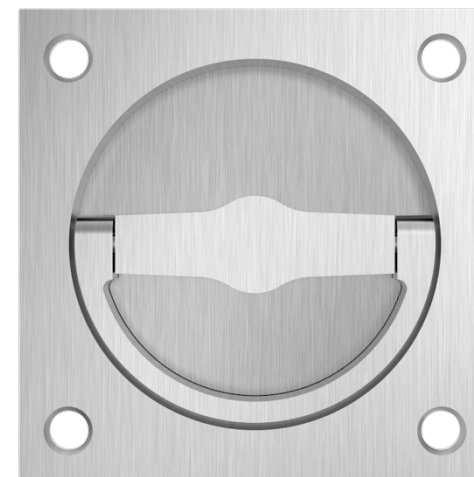
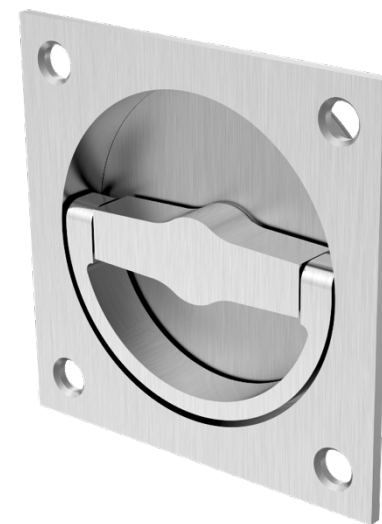
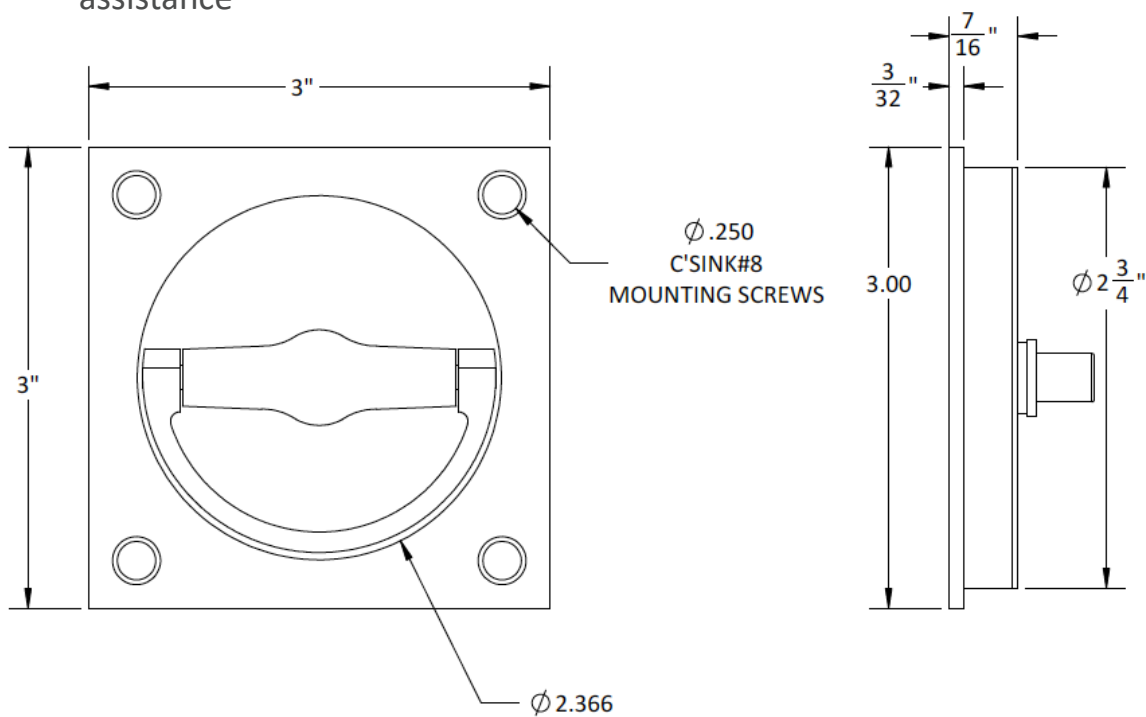
23DR: Drop Ring Pull | Concealed fasteners

- Dummy ring pull
- Surface mounted installation
- Can be customized for:
 - Use with mortise locks in lieu of knobs
 - Through-bolted installation
 - To oppose knob or lever on the other side – call for assistance



24DR: Drop Ring Pull | Exposed Fasteners

- Dummy ring pull
- Surface mounted installation
- Can be customized for:
 - Use with mortise locks in lieu of knobs
 - Through-bolted installation
 - To oppose knob or lever on the other side – call for assistance



**ACCURATE LOCK & HARDWARE
MANUFACTURERS OF LOCKS
AND CUSTOM ARCHITECTURAL HARDWARE**

1 Annie Place | Stamford, CT 06902

P: 203.348.8865

F: 203.348.5234

E: sales@accuratelockandhardware.com

www.accuratelockandhardware.com



**AMERICAN CRAFTED
— SINCE 1972 —**