



ACCURATE
LOCK & HARDWARE
AMERICAN CRAFTED SINCE 1972

8500 / 8600 Mortise Locks
FOR NARROW STILE DOORS

DESIGNED WITH STILE IN MIND

8500 / 8600 NARROW BACKSET MORTISE LOCKS

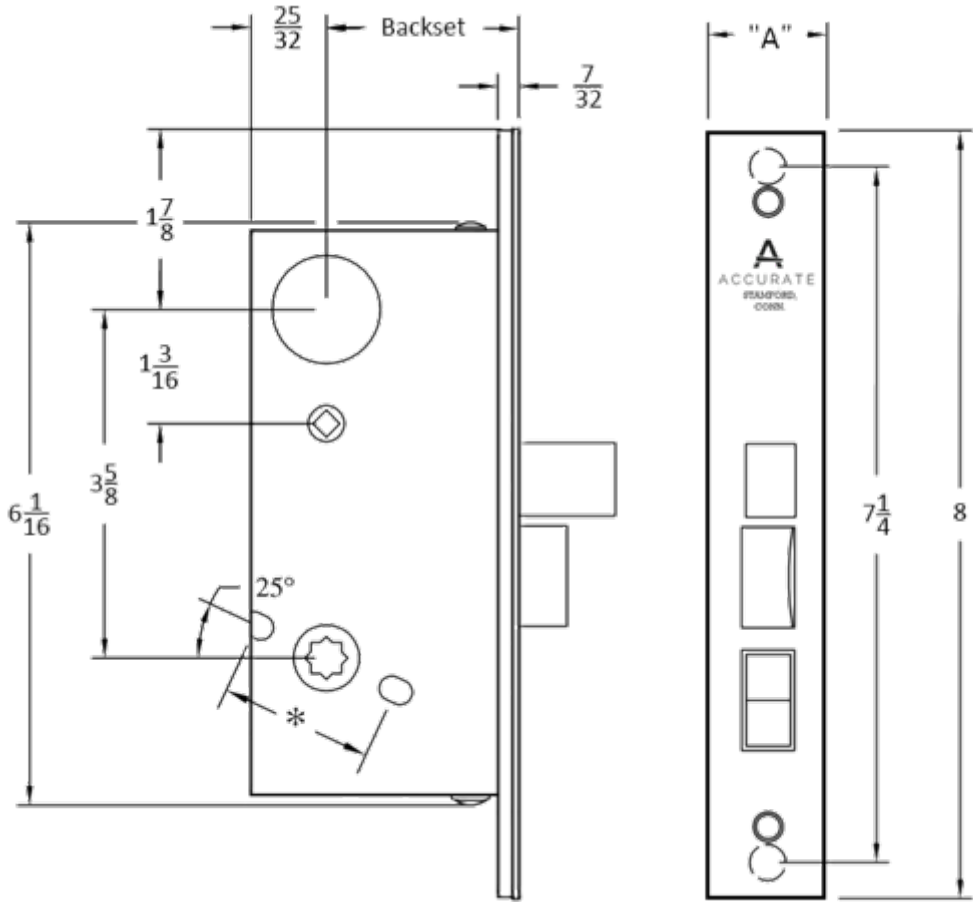
- Narrow backsets including $1\frac{1}{4}$ " , $1\frac{1}{2}$ " , $1\frac{3}{4}$ " , 2" , and $2\frac{1}{4}$ " - ideal for narrow stile doors (minimum $2\frac{3}{8}$ " stile recommended)
- For lever x lever applications (knob x knob functionality available with some applications)
- For use with Accurate's Levers or custom fitted for most manufacturers' sectional (rose) trim*
- Compatible with [SilentPac™ Lever Dampening Disc](#)
- Available for upside down, European-style installation (not all functions)
- Can be customized for use on rabbeted doors (with standard or traditional style rabbeted kits)



8524 ENTRY LOCK

** Please call for assistance when using escutcheons*

8500/8600 Series: Technical Details



* To accommodate thru bolting 1 1/2" to 1 11/16" center to center

A: 1 1/4" (8500 locks, for 1 3/4" thick doors) or 1" (8600 locks, for 1 3/8" thick doors)

BACKSET: 1 1/4", 1 1/2", 1 3/4", 2", 2 1/4"

CASE: Heavy gauge, plated steel (27/32" thick)

ARMOR FRONT: Adjustable bevel brass, bronze, or stainless steel, finished as required (see all finish options pg. 9)

LATCH BOLT: Brass, solid type 1/2" throw

DEADBOLT: Brass, 1" throw. (Other throw sizes available as a custom order. Please call for assistance.)

STRIKE: 4 7/8" ASA

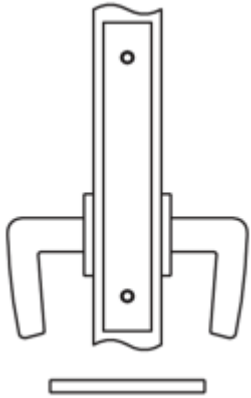
HUBS: Available in different sizes to be compatible with various trims

THUMB TURN HUB: 3/16" (5mm) on the diamond

DUST BOX: Brass, stainless steel or US10B

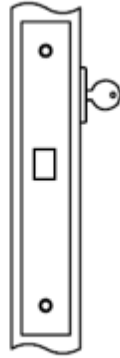


8500/8600 Series: Functions



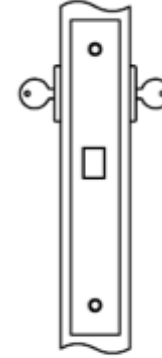
**8500ADL/8600ADL
ACTIVE DUMMY LOCK**

Active handles inside and out.



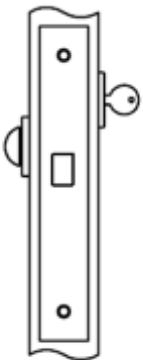
**8501/8601
DEADLOCK
(ANSI SERIES 1000-F18)**

Deadbolt by key outside.



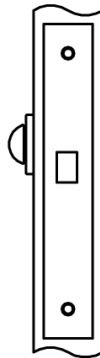
**8502/8602
DEADLOCK
(ANSI SERIES 1000-F16)**

Deadbolt by key either side.



**8503/8603
DEADLOCK
(ANSI SERIES 1000-F17)**

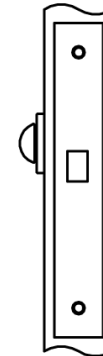
Deadbolt by key outside and
turn piece inside.



**8504/8604
DEADLOCK**

Deadbolt by turn piece inside.

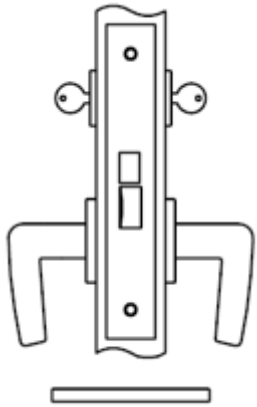
No outside operation.



**8505/8605
DEADLOCK**

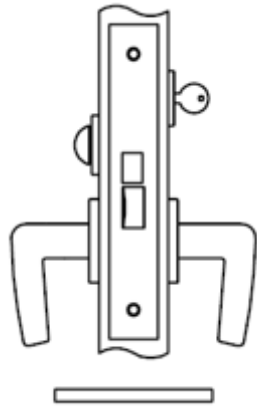
Deadbolt by turn piece inside and
emergency key outside.

8500/8600 Series: Functions



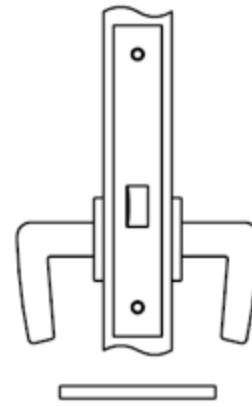
8522/8622
STORE DORE LOCK
(ANSI SERIES 1000-F14)

Latch bolt by lever either side.
Deadbolt by key either side.



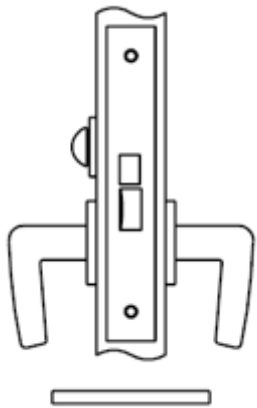
8524/8624
DORMITORY
(ANSI SERIES 1000-F21)

Latch bolt by lever either side.
Deadbolt by key outside and turn piece inside.



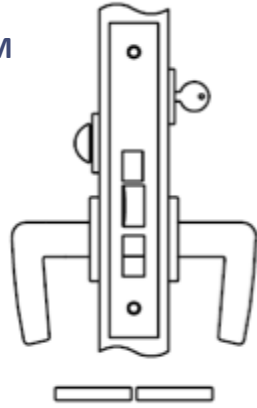
8525/8625
PASSAGE AND CLOSET LATCH
(ANSI SERIES 1000-F01)

Latch bolt by lever either side.



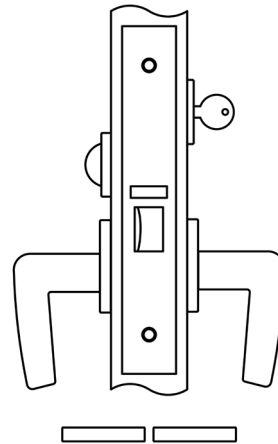
8539/8639
PRIVACY BEDROOM OR BATHROOM

Latch bolt by lever either side.
Deadbolt by turn piece inside and optional emergency key outside.



8548/8648
ENTRANCE OR APARTMENT
(ANSI SERIES 1000-F12)

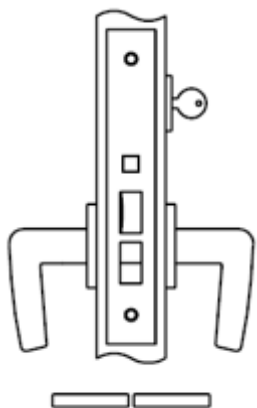
Latch bolt by key outside and handle either side unless outside handle is locked by toggle-action stop.
Deadbolt by key outside and turn piece inside.



8553/8653
ENTRANCE OR OFFICE
(ANSI SERIES 1000-F04)

Latch bolt by key outside and lever either side unless outside lever is locked by thumb turn or key.
Key or thumb turn locks or unlocks outside lever.
Auxiliary latch deadlocks latch bolt.

8500/8600 Series: Functions + Special Options



8556/8656 ENTRANCE OR OFFICE (ANSI SERIES 1000-F04)

Latch bolt by key outside and handle either side unless outside handle is locked by toggle-action stop.

Auxiliary latch deadlocks latch bolt.

8500/8600 SPECIAL OPTIONS

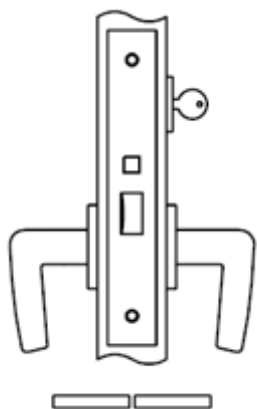
The 8500 / 8600 locks are “lever locks”.

They can be configured for use with knobs (rotation both ways) on most functions with the exception of 8559/8659 and 8556/8656 functions (knob will rotate one way only).

UPSIDE DOWN LOCKS

The 8500 / 8600 locks are available for upside down configuration (lever or knob high) with the exception of the 8548/8648, 8556/8656, and 8559/8659 functions.

Please note that on upside down locks that accept cylinders, the cylinder core will be upside down as well—we recommend specifying cylinders without face markings.



8559/8659 STOREROOM OR CLOSET

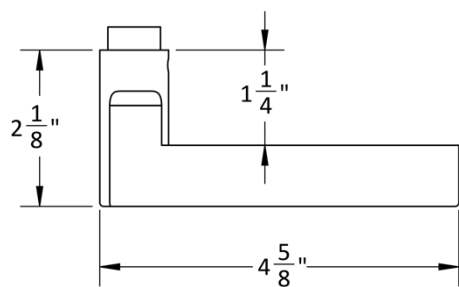
Latch by handle inside and key outside.

Outside handle always **rigid**.

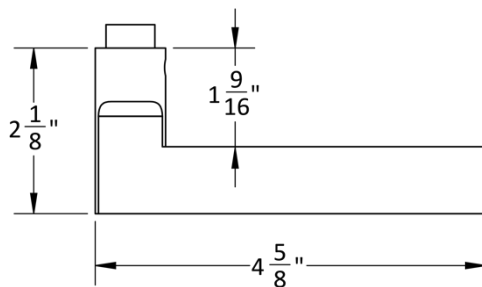
Auxiliary latch deadlocks latch bolt.

Accurate Lever Trim

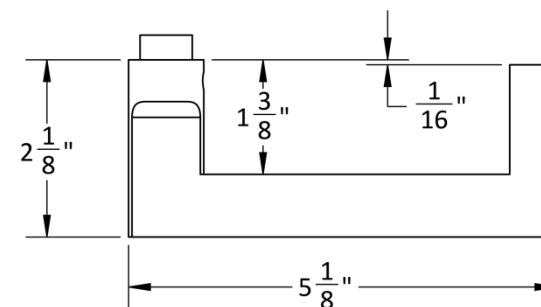
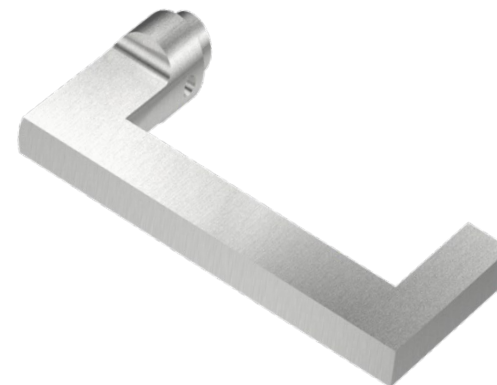
18L LEVER



19L LEVER

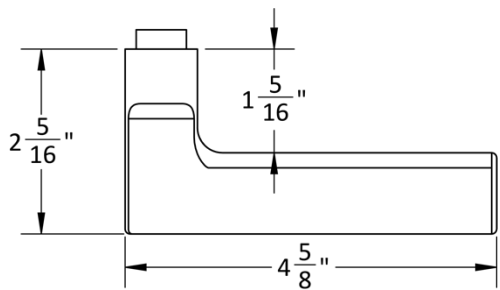


20L LEVER

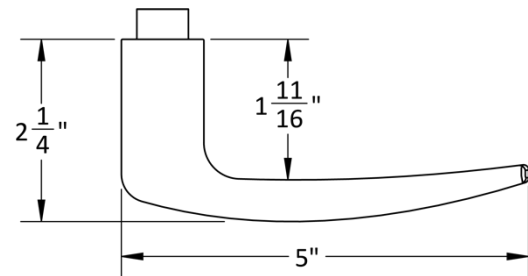


Accurate Lever Trim

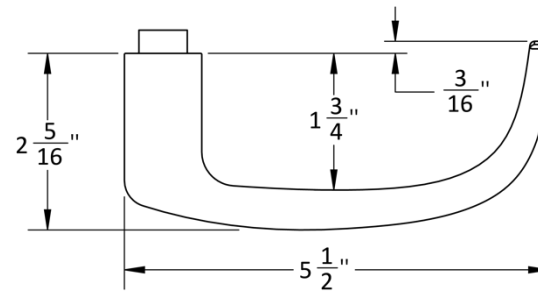
21L LEVER



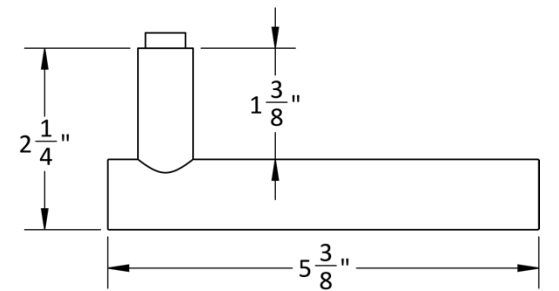
29L LEVER



39L LEVER



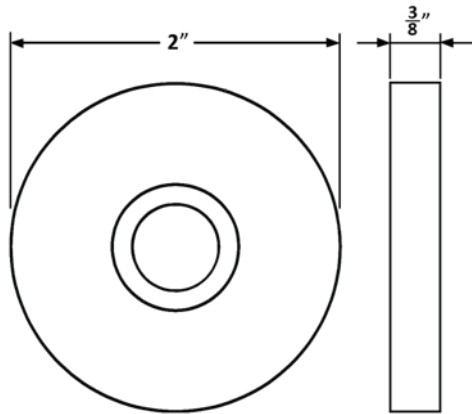
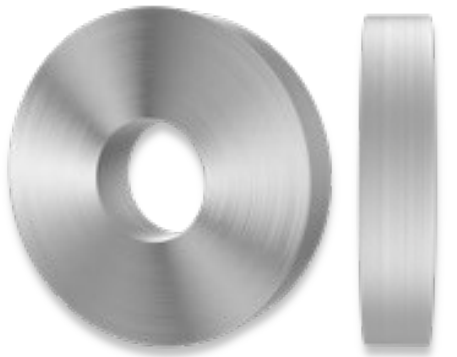
72L LEVER



Accurate Rose Options

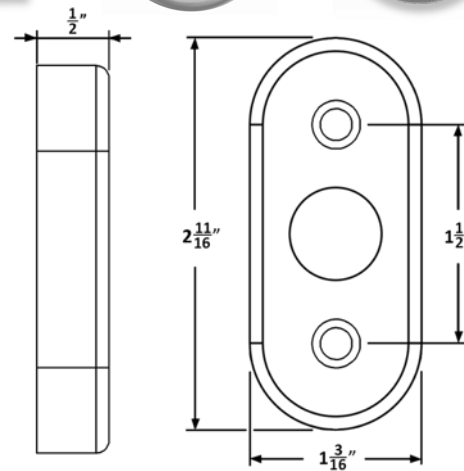
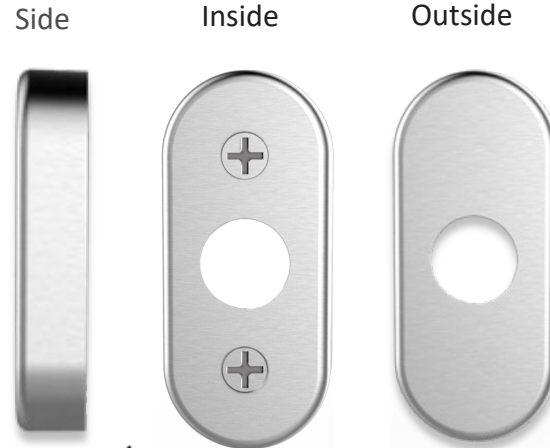
COMPATIBLE WITH ALL ACCURATE LEVERS

1R ROSE

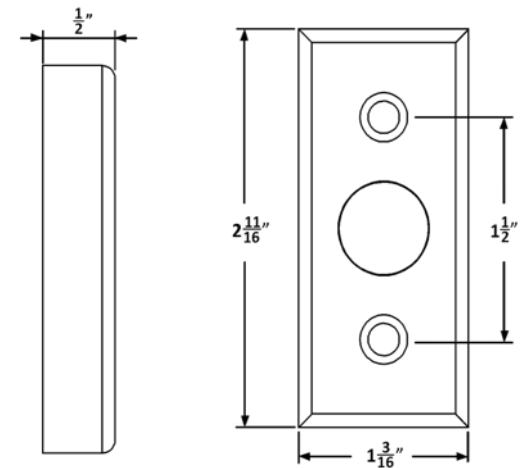
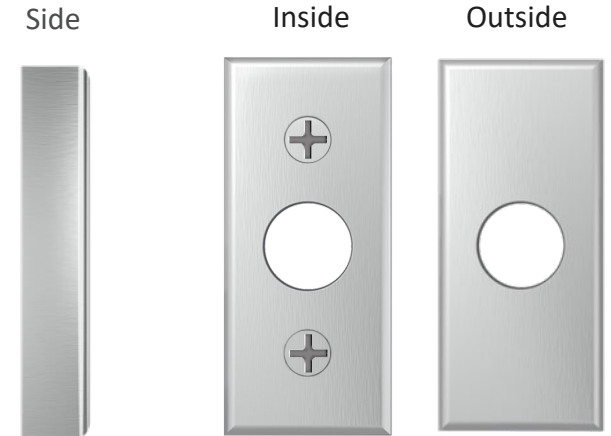


SILENTPAC™ LEVER DAMPENING DISC CAN BE SPECIFIED WITH THE 1R ROSE
VISIT SILENTPACSOLUTIONS.COM

2R ROSE



4R ROSE



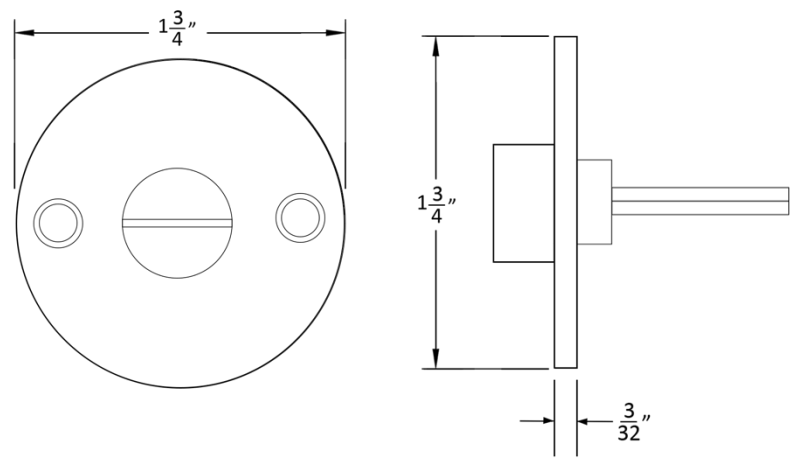
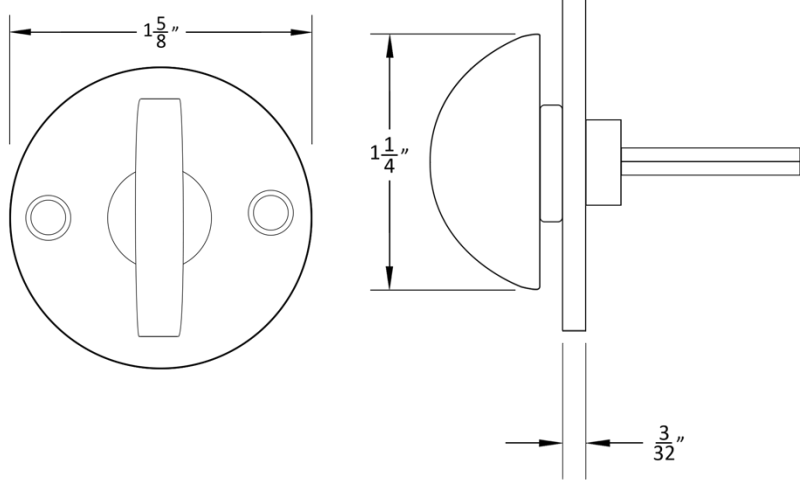
2R AND 4R ROSES TO BE SURFACE MOUNTED ONLY
(due to thru bolting hole locations on the lock body)

Accessories

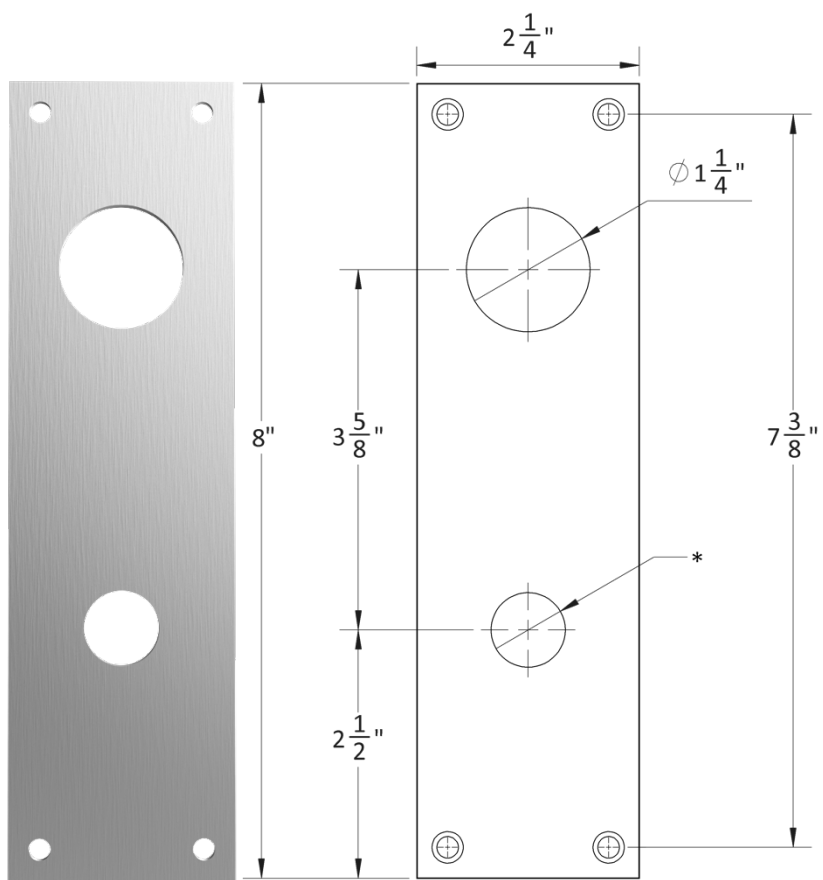
GF1106



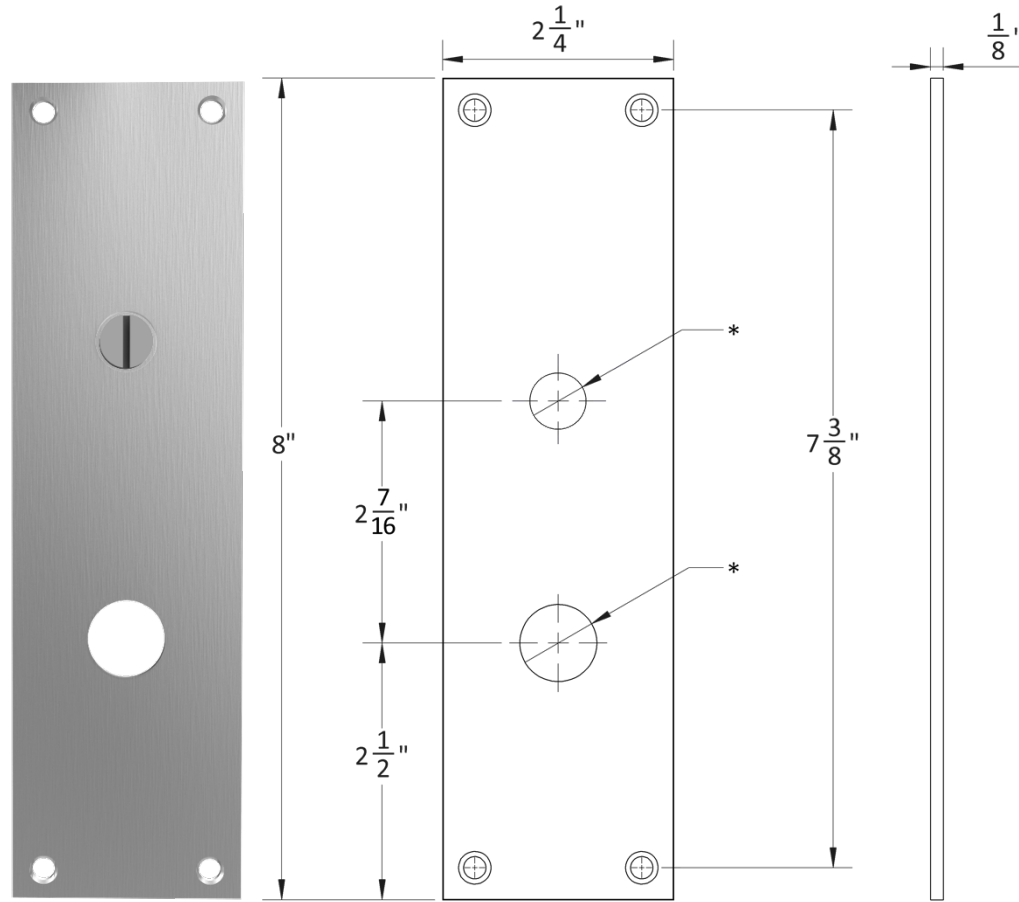
7200ER



Accurate Escutcheons: 1E

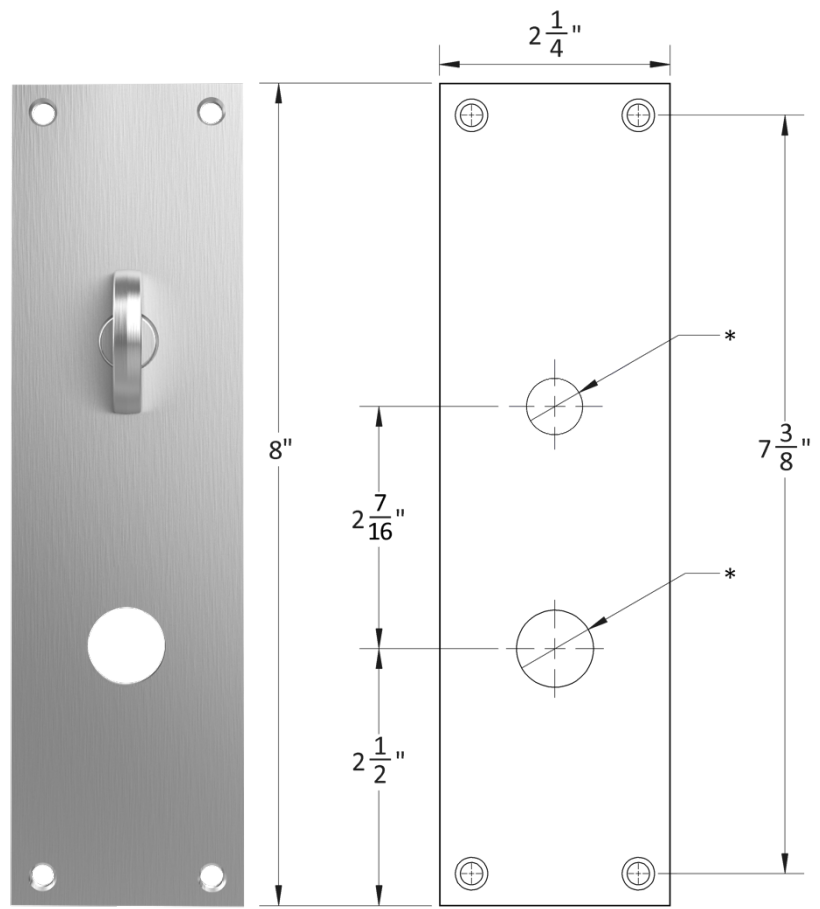


1E-C
Cylinder
Cutout



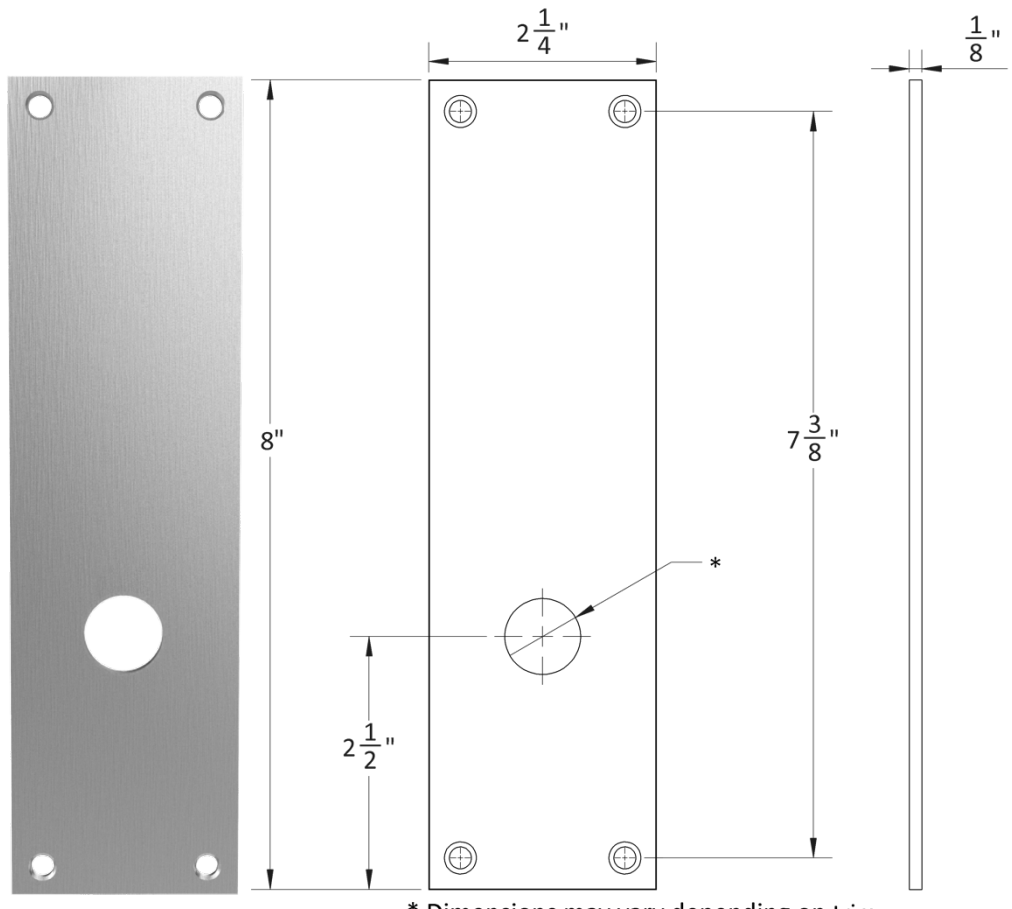
1E-E
Coin emergency
release

Accurate Escutcheons: 1E



1E-T
Thumb Turn

* Dimensions may vary depending on trim

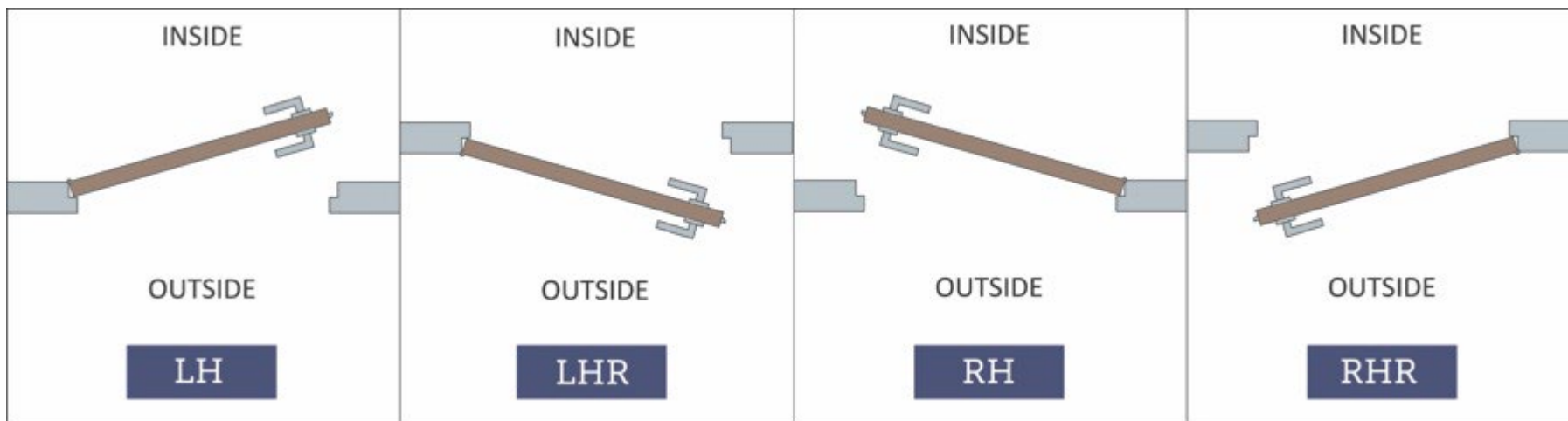


1E-B
Blank

* Dimensions may vary depending on trim

HOW TO SPECIFY

HANDING



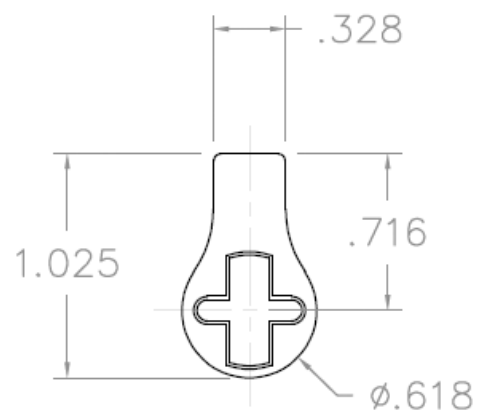
FINISHES

GROUP 1: US4, US4NL, US32D, US26D

GROUP 2: US3, US3NL, US26, US32, US9, US10, US10B, US14, US15, US19

GROUP 3: BN, BB, TN, TB, DURO, ESN, US15A, US5

To view example of finishes visit: [Accurate Finishes](#)



CYLINDERS & KEYING

8500/8600 series locks accept any standard American mortise cylinder. For details on required cams and compatibility with other manufacturers' cylinders, please visit:

[Accurate Support](#)

HOW TO SPECIFY

FUNCTION.BACKSET.TRIM.FINISH.HAND.DOORTHICKNESS

Functions

See available functions (pg. 4-6)



Backset

1 ¼", 1 ½", 1 ¾", 2", 2 ¼"



Trim

Accurate Trim (pg. 7-12)

Other Manufacturers' Sectional (rose) Trim (specify hub size or brand)*

Configurations:

- LxL, KxK



Finishes

See available finishes (pg.13)



EXAMPLES

Storeroom Lock | Other Manufacturers' Trim

E.g.: 8559.2.LxL.8mm.US26D.RH.214

Entry Lock | Other Manufacturers' Sectional Knobs

E.g.: 8524.214.KxK-7.2mm.US3. RH.134

Office Lock | Accurate Trim

E.g.: 8556.114.18L/2R.US26D.LH.134

Privacy Lock, Upside Down (Lever Above Thumb Turn) | Accurate Trim

E.g.: 8639USD.134.LxL.18L/1R.US4.LHR.138

Passage Lock, Upside Down (Knob High) | Other Manufacturers' Trim

E.g.: 8525USD.112.KxK-7mm.US3NL.RH.134

*Note: For compatibility please verify vertical spacing as well as thru bolting locations or call for assistance.

**ACCURATE LOCK & HARDWARE
MANUFACTURERS OF LOCKS AND
CUSTOM ARCHITECTURAL HARDWARE**

1 Annie Place | Stamford, CT 06902

P: 203.348.8865

F: 203.348.5234

E: sales@accuratelockandhardware.com

www.accuratelockandhardware.com



**AMERICAN CRAFTED
— SINCE 1972 —**