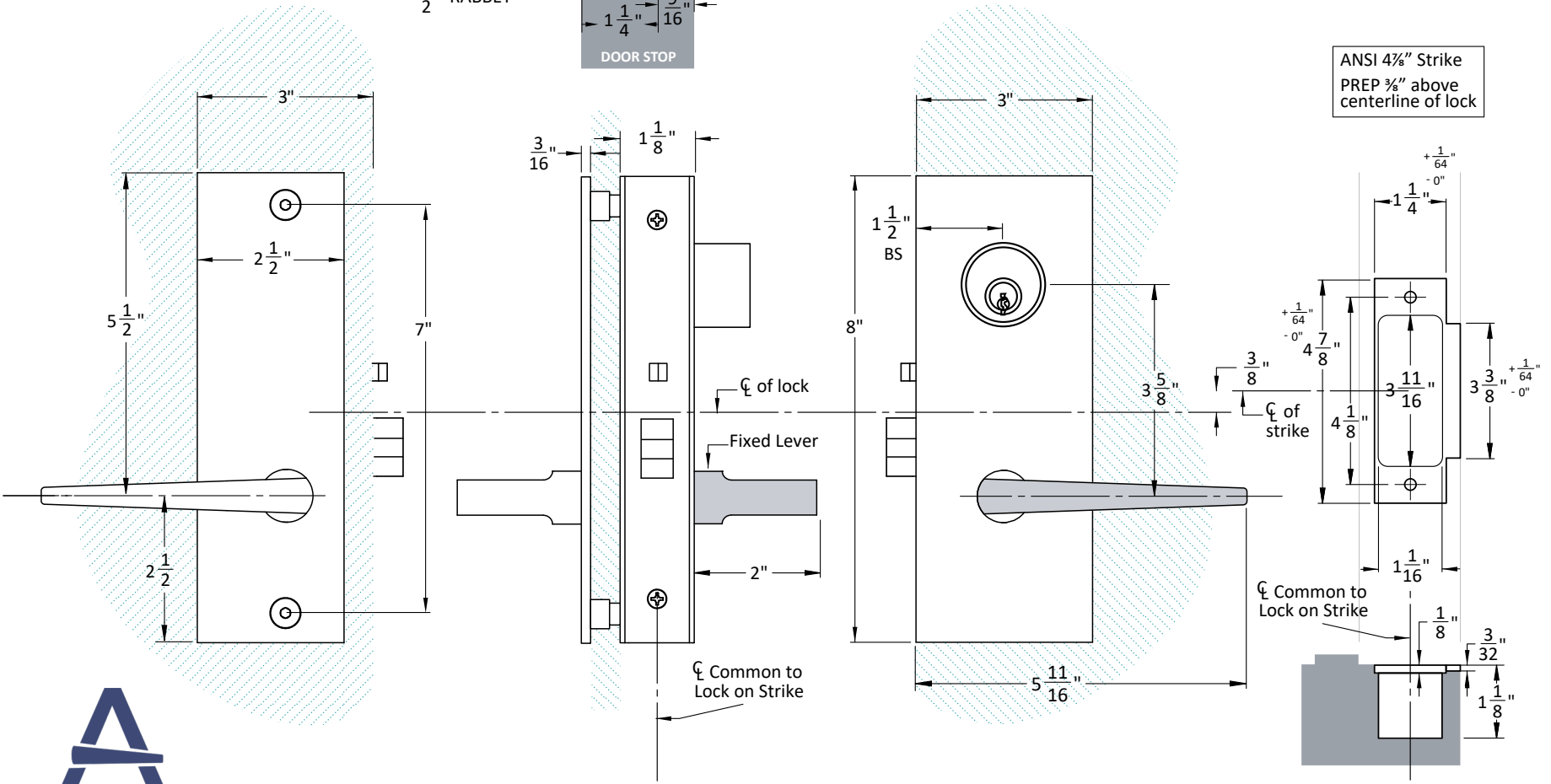


CYLINDER GUIDELINES		
Cylinder Length	Collar Size	
	Inswing	Outswing
3/4"	N/A	3/8"
1"		1/2"
1-1/8"		5/8"
1-1/4"		3/4"
1-3/8"	1/8"	7/8"
1-1/2"	3/8"	1"



RHR Glass Patch with 18L Levers.

**ACCURATE**  
LOCK & HARDWARE  
AMERICAN CRAFTED SINCE 1972

GR8759 Glass Patch Storeroom Set

Spec.GR8759-RHR.LHR