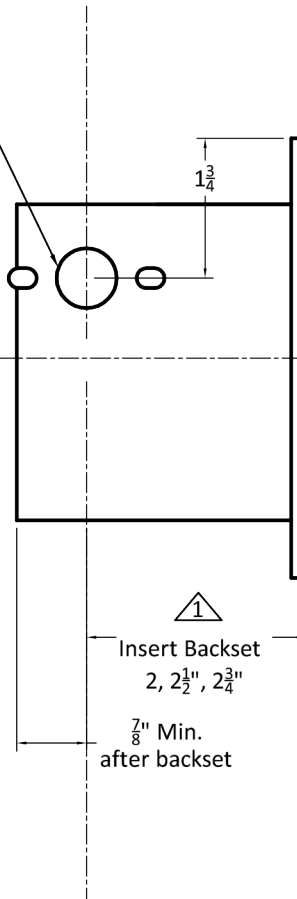
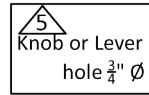
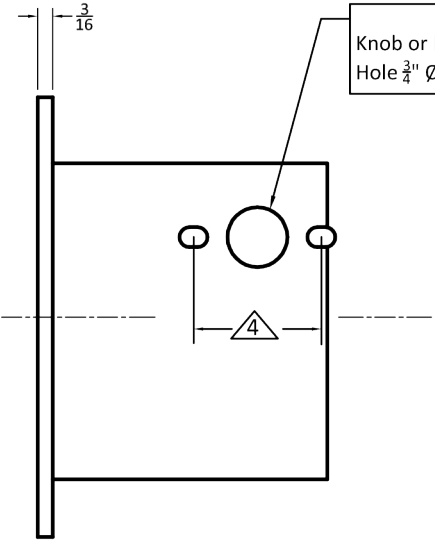
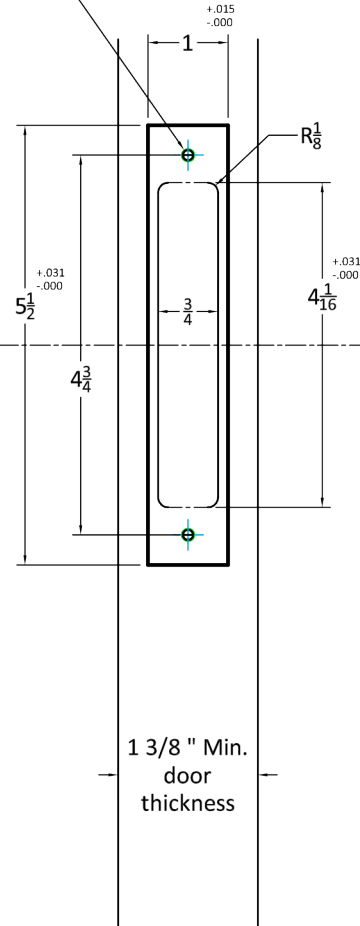
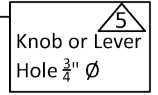


INSIDE OF DOOR



OUTSIDE OF DOOR



Notes:

- ▲ Insert backset here 2, 2 1/2" or 2 3/4"
 - ▲ Centerline of strike and front are the same.
 - ▲ Prep for #8 wood or 8-32 machine screws.
 - ▲ Through-bolting holes **ONLY** if required. See trim manufacturers standard template for details.
- Accurate lock's accommodates 1 1/2" to 1 11/16" center to centers and up to 1/4" dia. post.
IMPORTANT: Through-bolting holes only apply to 2 1/2" and 2 3/4" backset locks (there is no through-bolting on the 2" backset version)
- ▲ Knob holes may vary from different trim manufacturers. Please refer to their templates to confirm these dimensions.

Additional Notes:

- a) **Responsibility:** Door and frame manufacturers are responsible for providing adequate construction or re-inforcement for proper installation of hardware shown.
- b) See catalog / spec sheets for additional lock details.



Standard 9525ML Magnetic Passage Latch - All Backsets

T-ALH.9525ML