



ACCURATE LOCK & HARDWARE

AMERICAN CRAFTED SINCE 1972

POCKET DOOR HARDWARE SETS | EXPOSED FASTENERS

POCKET DOOR LOCK + FLUSH PULLS WITH EXPOSED FASTENERS

POCKET DOOR HARDWARE SETS | EXPOSED FASTENERS

The original design of pocket door flush pulls features exposed fasteners on each corner of the pull. Pocket Door Sets are available in privacy and passage functions for space-saving and passage functions for space-saving doors. Pair with a variety of flush pulls in most architectural finishes. Available with SilentPac™ Quiet Pocket Door Pull lock options featuring a quiet, slow release edge pull.



POCKET DOOR PRIVACY SET
EXPOSED FASTENERS

Pocket Door Hardware Flush Pull Options

S2002



**EXPOSED
FASTENERS**

CS2002



**CONCEALED
FASTENERS**

IS2002



**INVISI-MOUNT
SCREWLESS MOUNTING**

Pocket Door Hardware Sets

2002CPDL + 2002Q



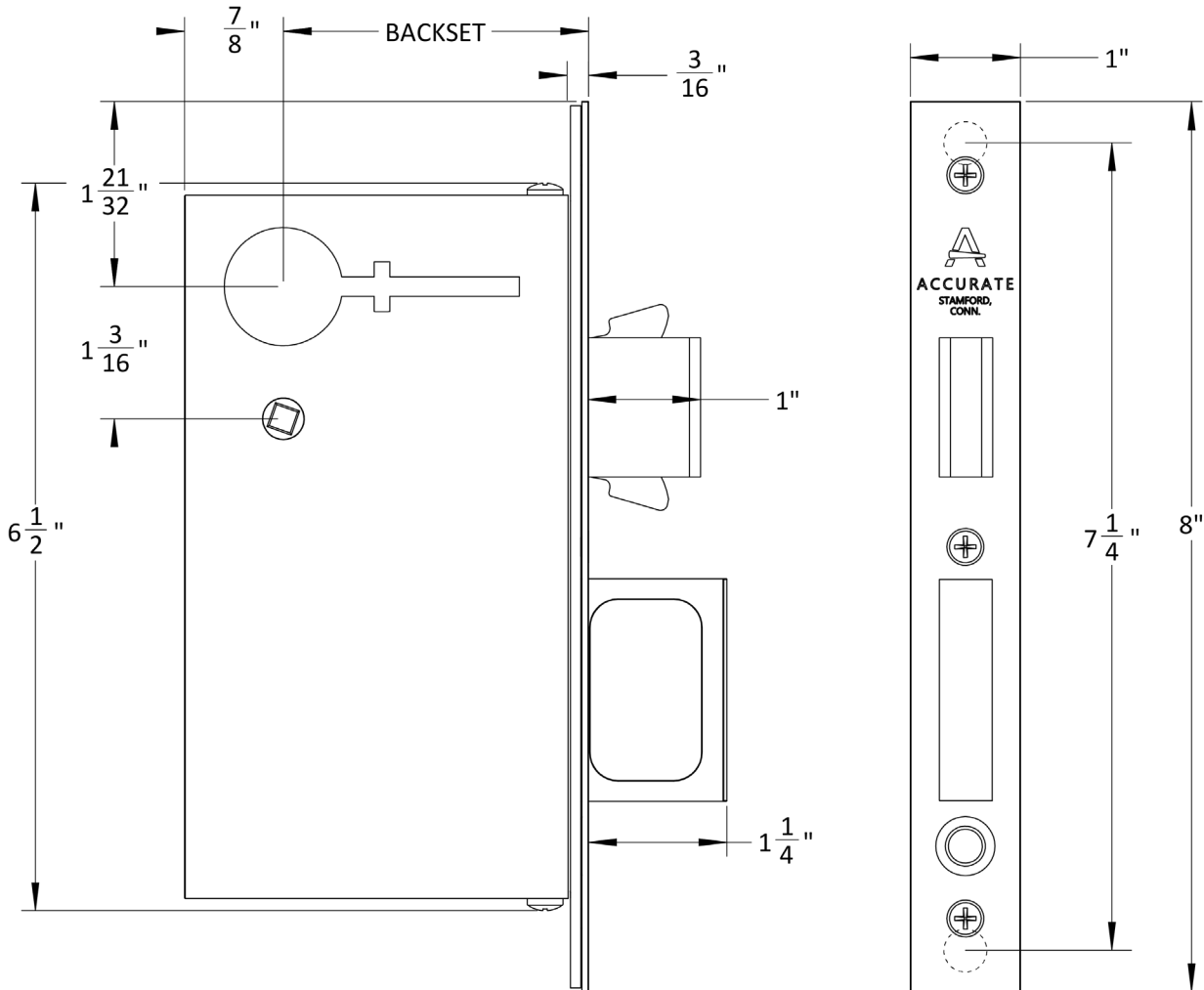
2002CPDL



2002Q

Pocket Door Hardware Locksets can be paired with the 2002CPDL Pocket Door Lock with Integrated Edge Pull or the 2002Q Quiet version that features a slow-release of the edge pull resulting in a quieter solution for space-saving pocket doors.

2002CPDL: Technical Details



BACKSET: 2", 2 $\frac{1}{2}$ ", 2 $\frac{3}{4}$ ", 3 $\frac{3}{4}$ ", 5", 6" (other backsets available custom order)

CASE: Heavy gauge, wrought ($1\frac{1}{16}$ " thick)

ARMOR FRONT: 1" wide, 8" standard made from brass, bronze or stainless steel and finished as required

DEADBOLT: $\frac{1}{2}$ " thick, $1\frac{7}{32}$ " high, 1" throw

PULL: $\frac{1}{2}$ " thick, 2" high, $1\frac{1}{4}$ " throw

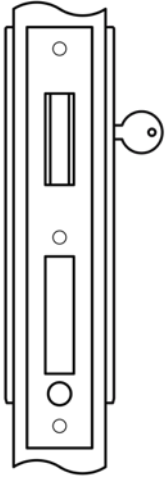
STRIKE: 3 $\frac{1}{2}$ " x 1" deadlock type strike for single doors included (specify SD). 8" tall strike available at an upcharge (Specify SD-8). For double door openings, refer to 2002CPDS.

THUMB TURN HUB: $\frac{3}{16}$ " (5mm) on the diamond standard (specialty 6mm square hub available as special order)

DUST BOX: For single doors, available in brass, stainless steel or US10B

Pocket Door Hardware Functions

Single Doors



2002CPDL-1 | 2002Q-1 SINGLE CYLINDER

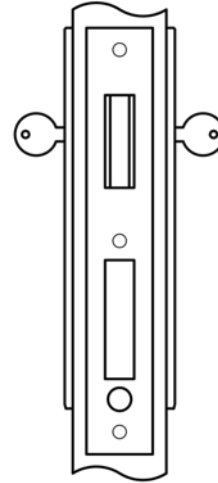
By key outside only.

Includes:

2002CPDL or 2002Q Quiet Pocket Door Lock with
Integrated Edge Pull.

Flush Pull Trim: Cylinder Cutout x Blank.

2002C Cylinder Collar.



2002CPDL-2 | 2002Q-2 DOUBLE CYLINDER

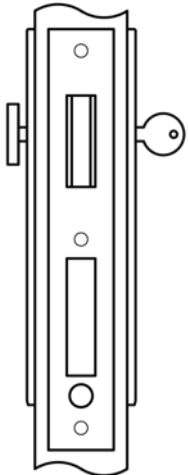
By key outside and inside.

Includes:

2002CPDL or 2002Q Quiet Pocket Door Lock with Integrated
Edge Pull.

Flush Pull Trim: Cylinder Cutout x Cylinder Cutout.

2002C Cylinder Collar (2).



2002CPDL-3 | 2002Q-3 ENTRY

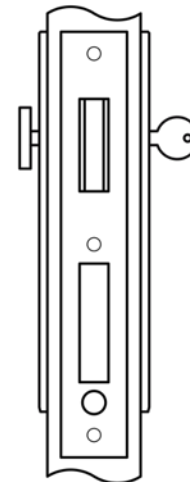
By key outside x T-turn inside.

Includes:

2002CPDL or 2002Q Quiet Pocket Door Lock with
Integrated Edge Pull.

Flush Pull Trim: Cylinder Cutout x T-turn.

2002C Cylinder Collar.



2002CPDL-3i | 2002Q-3i ENTRY WITH INDICATOR

By key outside x thumb turn inside.

Includes:

2002CPDL or 2002Q Quiet Pocket Door Lock with
Integrated Edge Pull.

Flush Pull Trim: Cylinder Cutout with Indicator x T-turn.

2002C Cylinder Collar.

Specify handing.

Pocket Door Hardware Functions

Single Doors



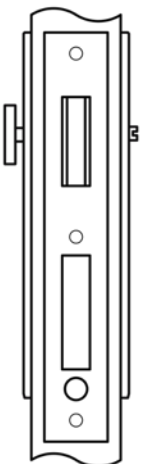
2002CPDL-4 | 2002Q-4 PRIVACY

By T-turn inside only.

Includes:

2002CPDL or 2002Q Quiet Pocket Door Lock with Integrated Edge Pull.

Flush Pull Trim: Blank x T-turn.



2002CPDL-5i | 2002Q-5i PRIVACY WITH INDICATOR

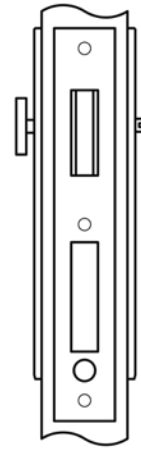
By T-turn inside, ERi outside.

Includes:

2002CPDL-5i or 2002Q Quiet Pocket Door Lock with Integrated Edge Pull.

Flush Pull Trim: Emergency Coin Release with Indicator x T-turn.

Specify handing.



2002CPDL-5 | 2002Q-5 PRIVACY

By T-turn inside, ER outside.

Includes:

2002CPDL or 2002Q Quiet Pocket Door Lock with Integrated Edge Pull.

Flush Pull Trim: Emergency Coin Release x T-turn.

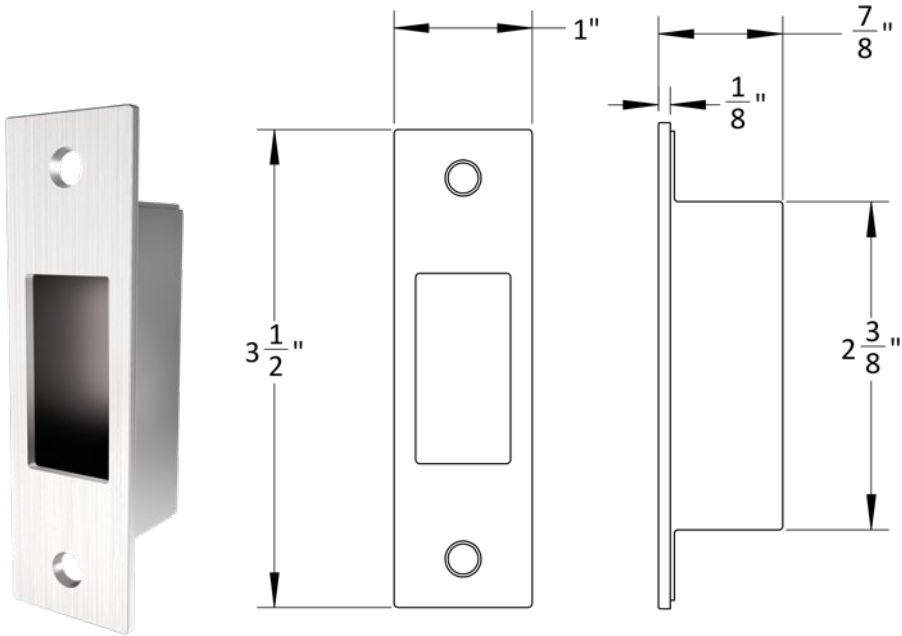
NOTE: Function drawings are shown with thumb turns and emergency releases to clearly demonstrate each function. These elements will not protrude from the flush pull as shown but will sit flush inside.



Pocket Door Strikes | Single Doors

SD STRIKE + DUST BOX

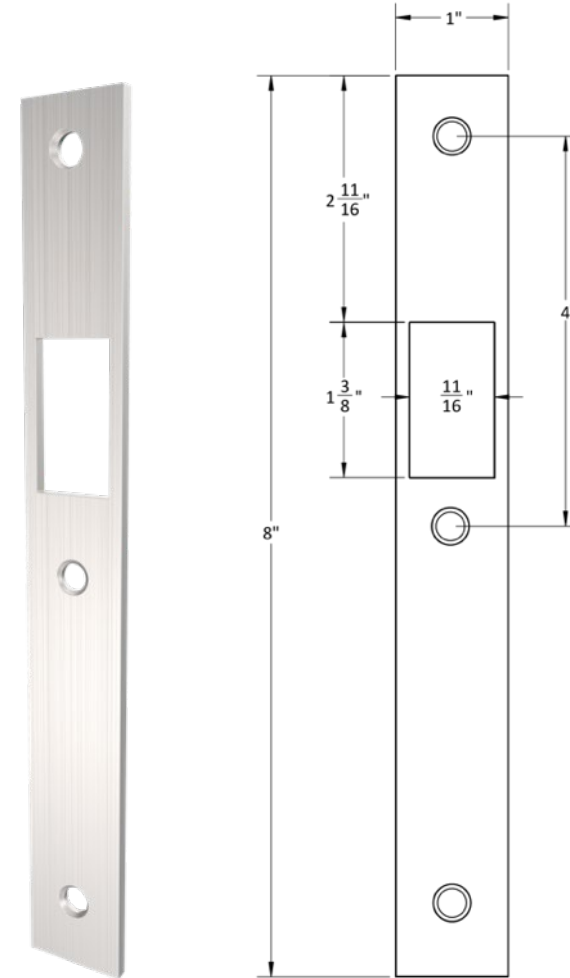
Furnished Standard



SD-8 STRIKE

8" strike plate to oppose 2002CPDL/2002Q.

Available special order.



PAIR OF DOOR HARDWARE SETS

Pocket Door Hardware Sets with Exposed Fasteners are available for locking double pocket doors. Pair 2002CPDL or 2002Q with 2002CPDS or 2002CPDS-Q Quiet Pocket Door Strike with Integrated Edge Pull and Blank Flush Pulls with Exposed Fasteners.

PAIR OF DOORS
POCKET DOOR PRIVACY SET
EXPOSED FASTENERS

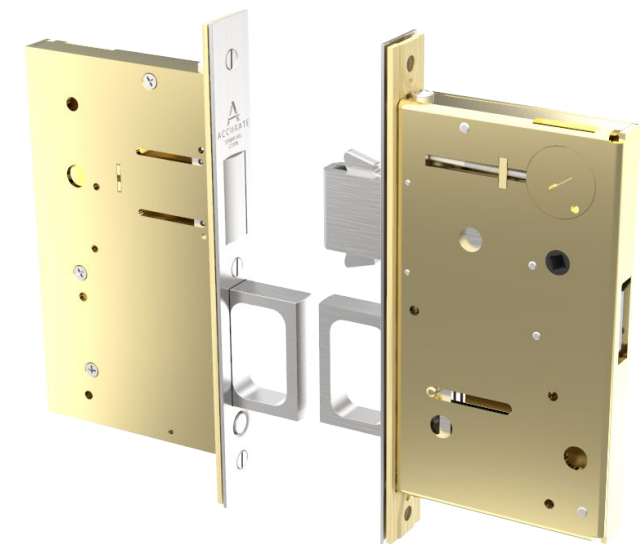
Pocket Door Hardware Sets

2002CPDS + 2002CPDS-Q

2002CPDS + 2002CPDS-Q

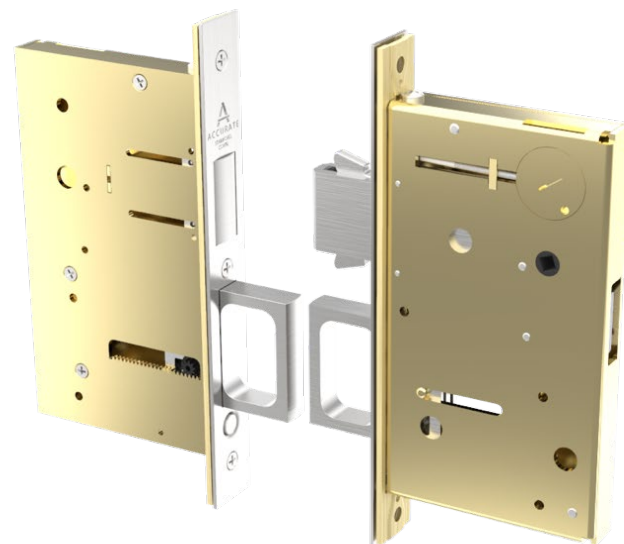
POCKET DOOR STRIKE WITH INTEGRATED EDGE PULL

- Pair with 2002CPDL/2002Q for privacy double pocket doors
- The 2002CPDS is designed for dummy doors on double door openings (pair with Blank Flush Pulls)
- Available with Quiet Pocket Door Pull that features a slow release edge pull that pops out of the lock with press of a button allowing for comfortable operation to pull door out of pocket.



2002CPDS-Q

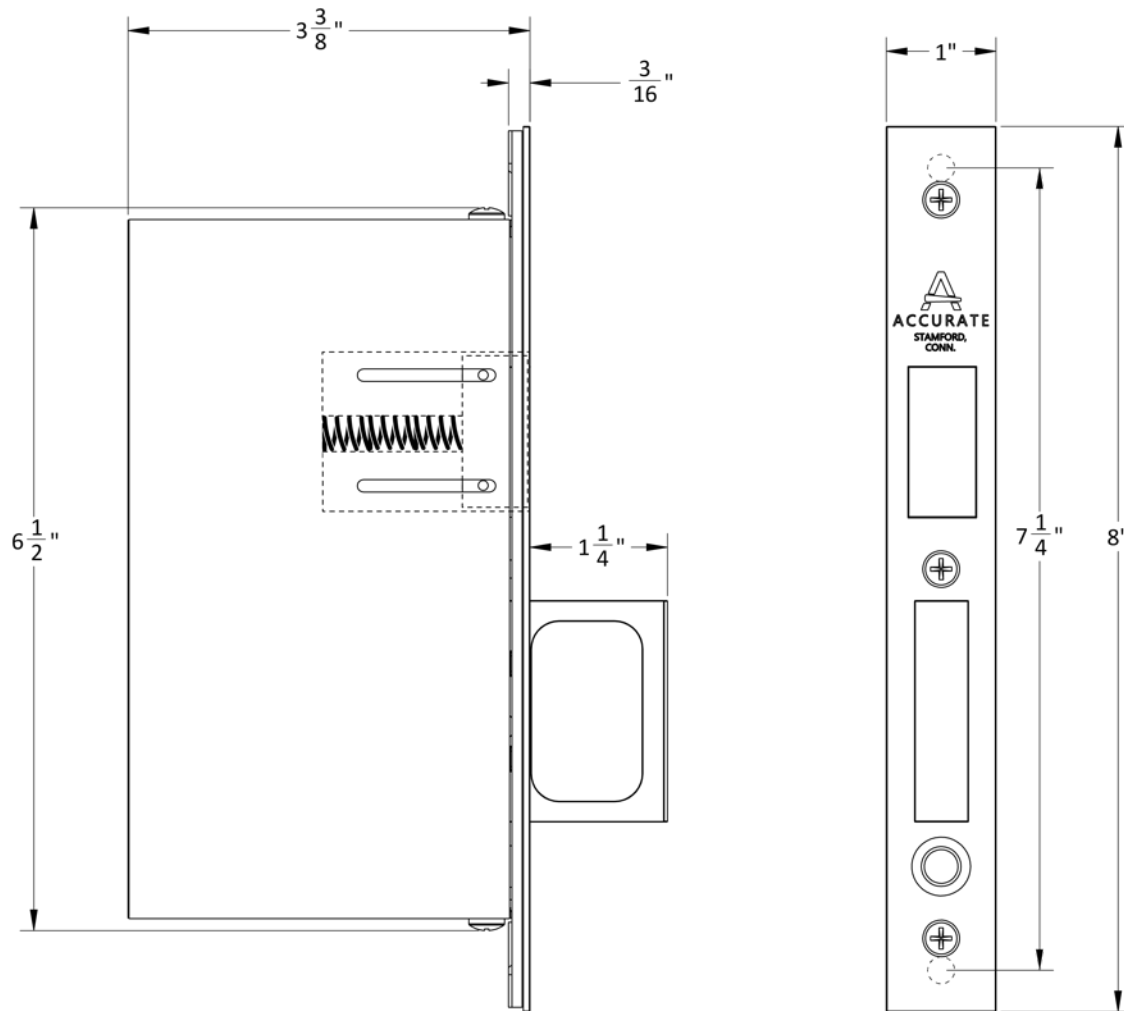
2002CPDL



2002CPDS-Q

2002Q

2002CPDS: Technical Details



3 ³/₈" overall depth standard

3 ⁷/₈" overall depth available (specify as 2002CPDS-SD-Q)

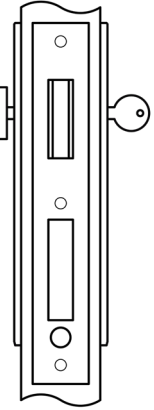
CASE: Heavy gauge, wrought (¹¹/₁₆" thick)

ARMOR FRONT: 1" wide, 8" standard made from brass, bronze or stainless steel and finished as required

PULL: ¹/₂" thick, 2" high, 1 ¹/₄" throw

Pocket Door Hardware Functions

Pair of Doors



2002CPDL-3 | 2002Q-3 PRIVACY

By key outside, T-turn inside.

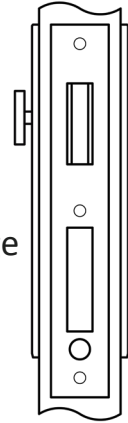
Includes:

2002CPDL or 2002Q Quiet Pocket Door Lock with Integrated Edge Pull.

Flush Pull Trim: Cylinder Cutout x T-turn.

2002C Cylinder Collar.

2002CPDS or 2002CPDS-Q Quiet Pocket Door Strike with Integrated Edge Pull and Pair of Blank Flush Pulls.



2002CPDL-5 | 2002Q-5 PRIVACY

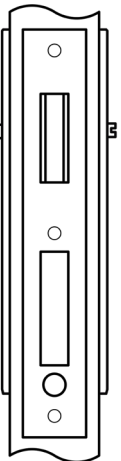
By T-turn inside, ER outside.

Includes:

2002CPDL or 2002Q Quiet Pocket Door Lock with Integrated Edge Pull.

Flush Pull Trim: Emergency Coin Release x T-turn.

2002CPDS or 2002CPDS-Q Quiet Pocket Door Strike with Integrated Edge Pull and Pair of Blank Flush Pulls.



2002CPDL-5i | 2002Q-5i PRIVACY WITH INDICATOR

By T-turn inside, ERi outside.

Includes:

2002CPDL or 2002Q Quiet Pocket Door Lock with Integrated Edge Pull.

Flush Pull Trim: Emergency Coin Release with Indicator x T-turn.

2002CPDS-Q Quiet Pocket Door Strike with Integrated Edge Pull and Pair of Blank Flush Pulls.

Specify handing.

NOTE: Function drawings are shown with thumb turns and emergency releases to clearly demonstrate each function. These elements will not protrude from the flush pull as shown but will sit flush inside.

PASSAGE POCKET DOOR HARDWARE SETS

Pocket Door Hardware Sets with Concealed Fasteners are available for passage non-locking doors. Pair with the standard 5" 2000 or 2000Q Pocket Door Edge Pull and Blank Flush Pulls.



**2000 PASSAGE SET
EXPOSED FASTENERS**

Pocket Door Hardware Sets

2000 + 2002Q



2000

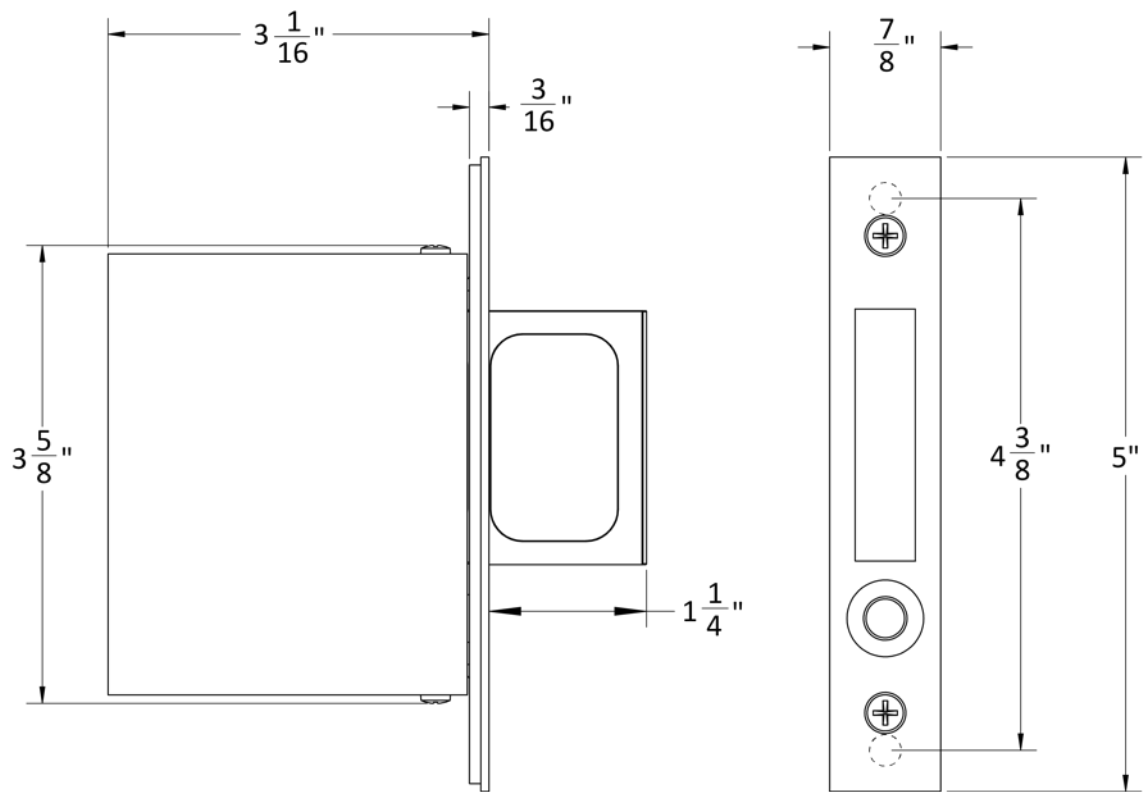


2000Q

2000 + 2000Q 5" POCKET DOOR EDGE PULL

- For passage, non-locking pocket doors (pair with Blank Flush Pulls)
- Available with Quiet Pocket Door Pull that features a Quiet slow release edge pull pops out of the lock with press of a button allowing for comfortable operation to pull door out of pocket.

2000: Technical Details



$3 \frac{1}{16}$ " overall depth standard

CASE: Heavy gauge, wrought ($1 \frac{1}{16}$ " thick)

ARMOR FRONT: 1" wide, 5" standard made from brass, bronze or stainless steel and finished as required

PULL: $\frac{1}{2}$ " thick, 2" high, $1 \frac{1}{4}$ " throw

PASSAGE POCKET DOOR HARDWARE SETS

Pocket Door Hardware Sets with Exposed Fasteners are available for passage non-locking doors. Pair with the larger 8" 2002CPDP or 2002CPDP-Q Quiet Pocket Door Pull and Blank Flush Pulls with Exposed Fasteners.



**2002CPDP PASSAGE SET
EXPOSED FASTENERS**

Pocket Door Hardware Sets

2002CPDP + 2002CPDP-Q



2002CPDP



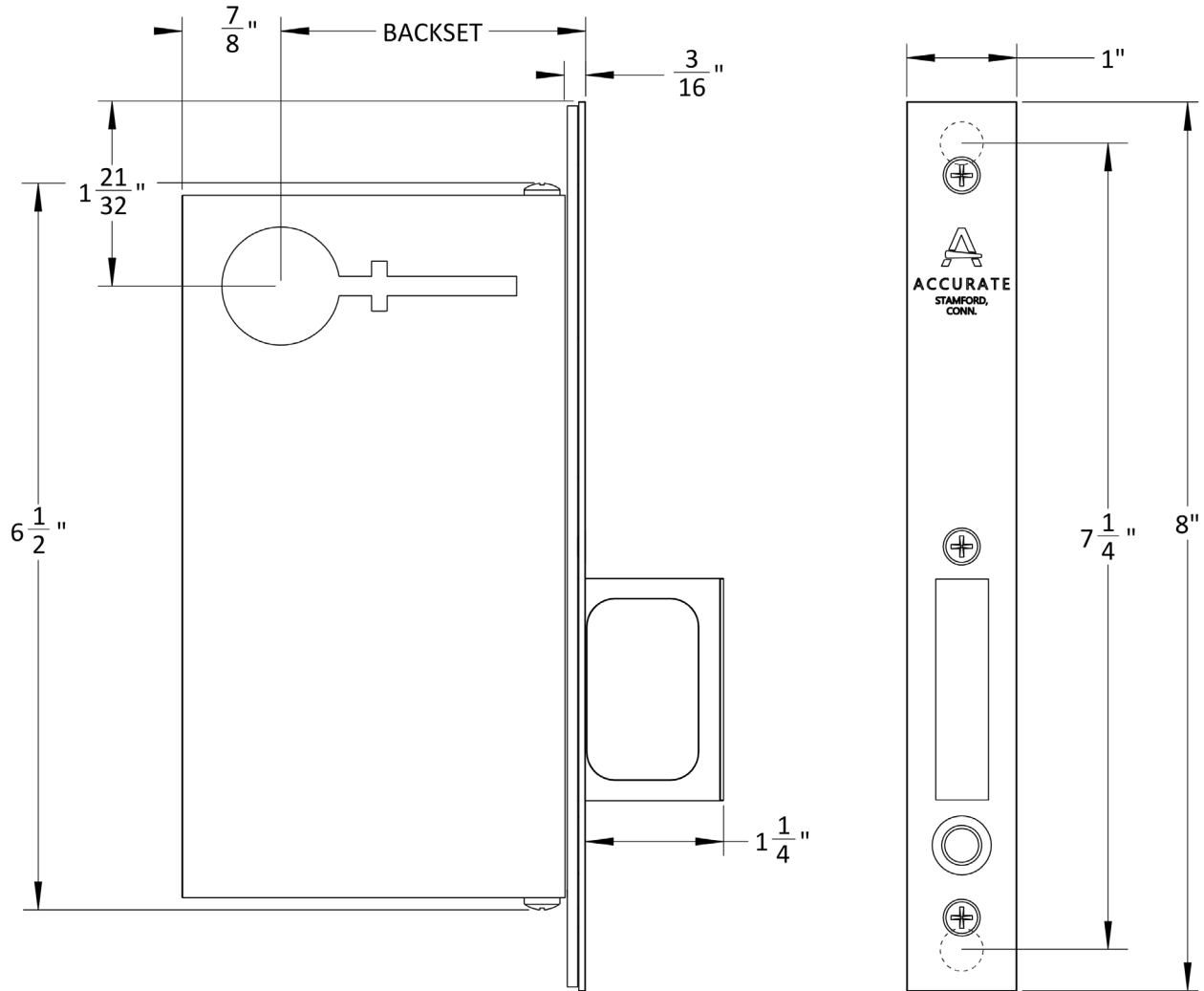
2002CPDP-Q

2002CPDP + 2002CPDP-Q POCKET DOOR EDGE PULL

- For passage, non-locking pocket doors (pair with Blank Flush Pulls)
- Available with Quiet Pocket Door Pull that features a Quiet slow release edge pull pops out of the lock with press of a button allowing for comfortable operation to pull door out of pocket.



2002CPDP: Technical Details



3 3/8" overall depth standard
 2 7/8" overall depth available (specify as 2002CPDP-SD)

CASE: Heavy gauge, wrought (11/16" thick)

ARMOR FRONT: 1" wide, 8" standard made from brass, bronze or stainless steel and finished as required

PULL: 1/2" thick, 2" high, 1 1/4" throw

PASSAGE POCKET DOOR HARDWARE SETS

Pocket Door Hardware Sets with
Concealed Fasteners are available for
passage non-locking doors. Pair with
the 2011PDP or 2011PDP-Q Quiet
Pocket Door Pull with Large Bale and
Blank Flush Pulls.



**2011PDP PASSAGE SET
EXPOSED FASTENERS**

Pocket Door Hardware Sets 2011PDP + 2011PDP-Q



2011PDP

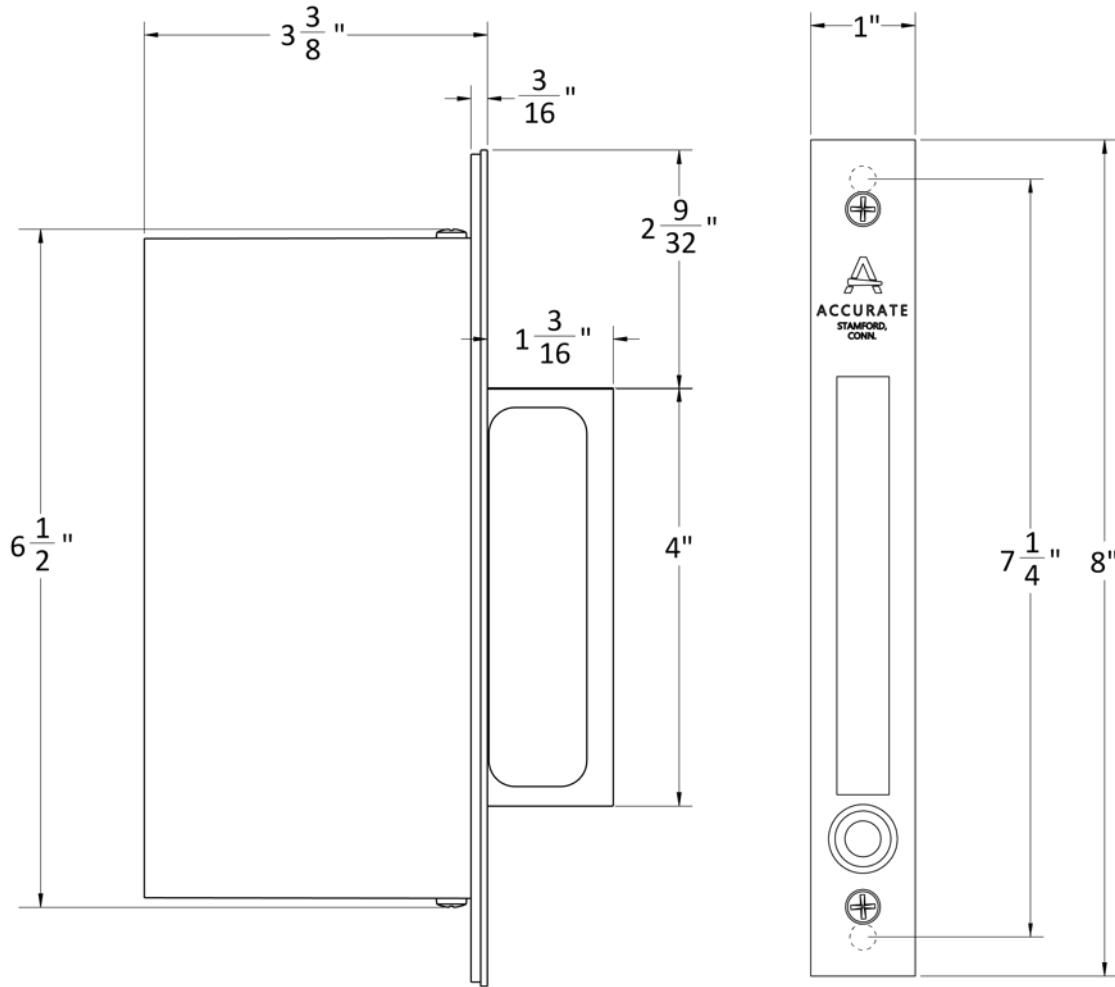


2011PDP-Q

2011PDP + 2011PDP-Q POCKET DOOR EDGE PULL WITH LARGE BALE

- For passage, non-locking pocket doors (pair with Blank Flush Pulls)
- Available with Quiet Pocket Door Pull that features a Quiet slow release edge pull pops out of the lock with press of a button allowing for comfortable operation to pull door out of pocket.

2011PDP: Technical Details



$3\frac{3}{8}$ " overall depth standard

CASE: Heavy gauge, wrought ($1\frac{1}{16}$ " thick)

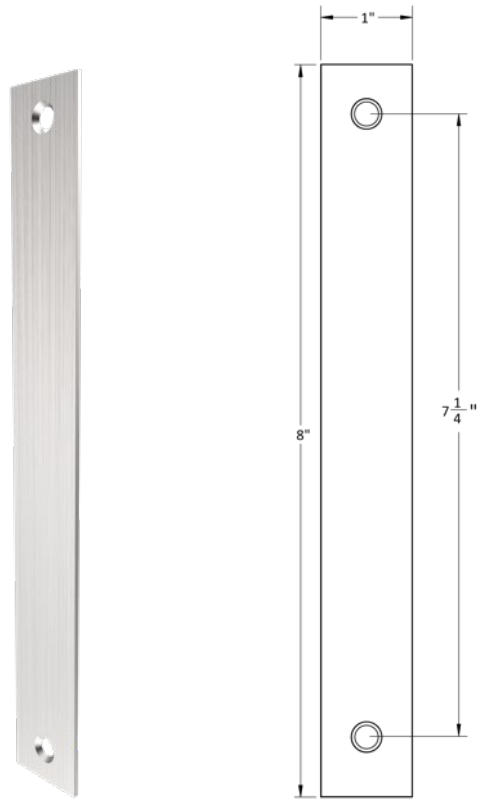
ARMOR FRONT: 1 " wide, 8 " standard made from brass, bronze or stainless steel and finished as required

PULL: $\frac{1}{2}$ " thick, 4 " high, $1\frac{3}{16}$ " throw

Pocket Door Jamb Protector Plates

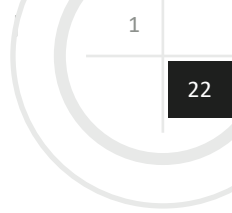
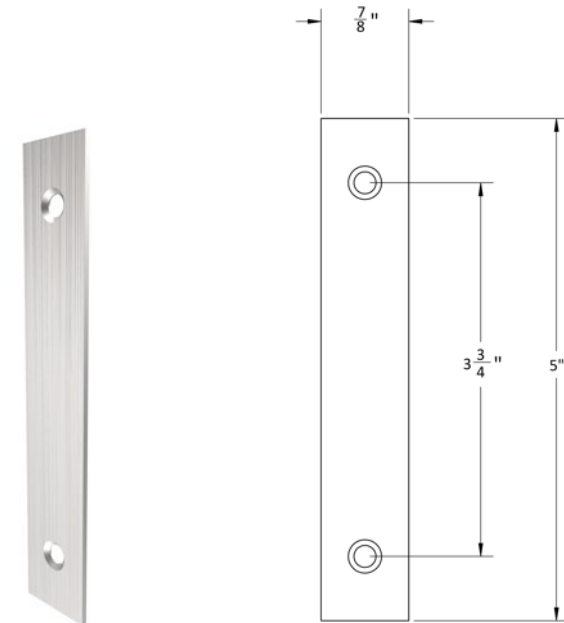
2002JPP

To oppose 2002CPDP or 2011PDP



2000JPP

To oppose 2000



S Style | Exposed Fasteners

S2002B

S2002E

S2002T

S2002C

S2002-Oi

S2002-COi



A Style | Exposed Fasteners

A2002B



A2002E



A2002T



A2002C



A2002-Oi



A2002-COi



N Style | Exposed Fasteners

N2002B



N2002E



N2002T



N2002C



N2002-Oi



N2002-COi



O Style | Exposed Fasteners

O2002B



O2002E



O2002T



O2002C



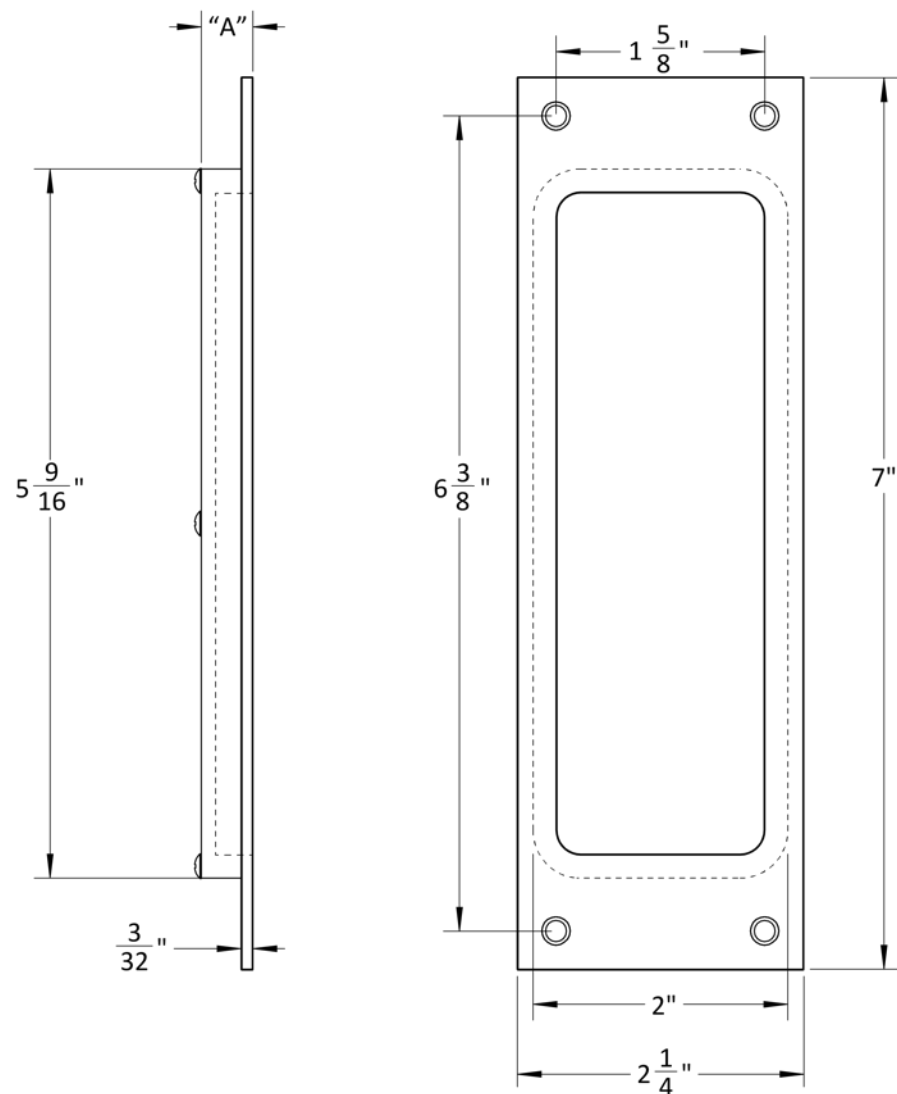
O2002-Oi



O2002-COi



Exposed Pocket Door Flush Pull Fasteners Dimensions



Dimensions apply to all Flush Pull Styles:

S2002

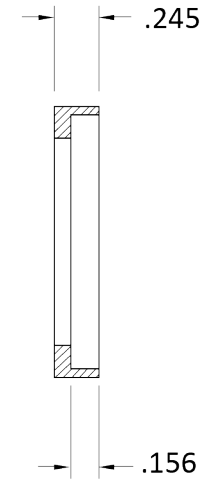
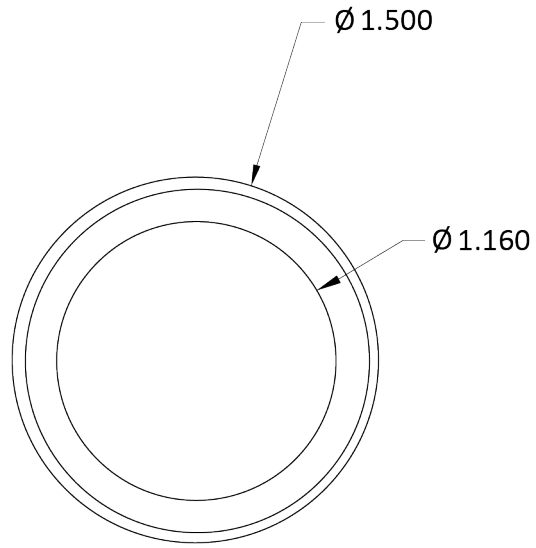
A2002

N2002

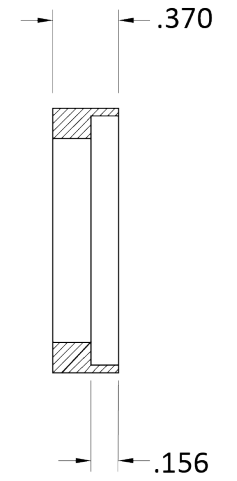
O2002

'A' = $\frac{7}{16}$ " for doors $1 \frac{3}{4}$ " minimum
 $\frac{5}{16}$ " for doors $1 \frac{3}{8}$ " minimum

2002C | Cylinder Collar



2002C.138



2002C.134

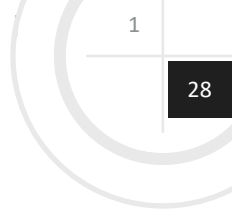
2002C Cylinder Collar is furnished standard with:

S2002C, S2002-COi

A2002C, A2002-COi

N2002C, N2002-COi

O2002C, O2002-COi



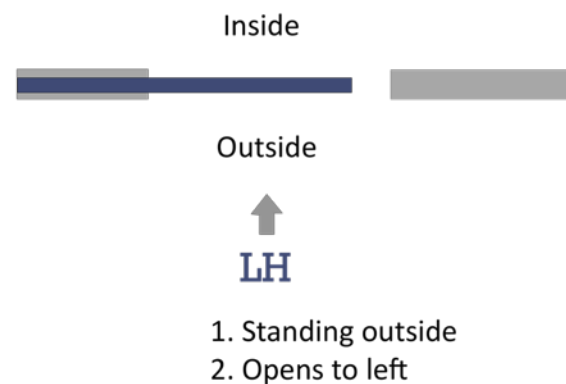
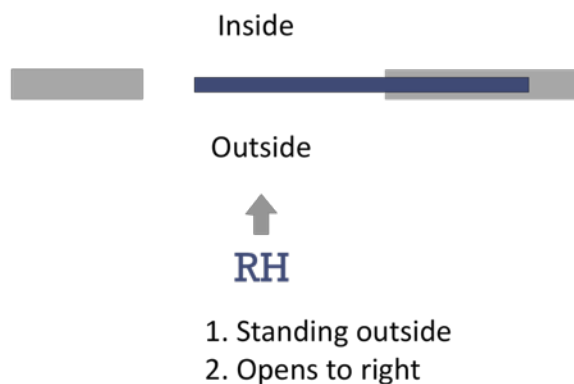
HOW TO SPECIFY

HANDING

Specify Handing on the following functions:

2002Q-3i

2002Q-5i



FINISHES

GROUP 1: US4, US4NL, US32D*, US26D

GROUP 2: US3, US3NL, US26, US32*, US9*, US10*, US10B, US14, US15, US19

GROUP 3: BN, BB, TN, TB, DURO, ESN, US15A, US5

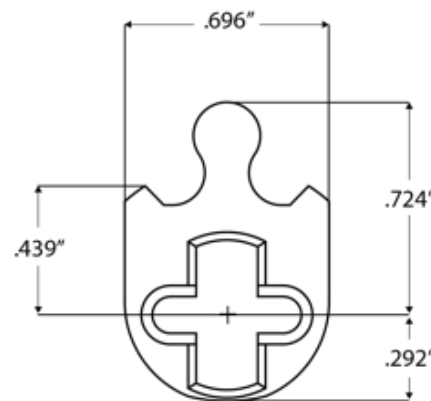
Applicable finishes come standard with [Cerakote Premium Protective Coating](#). Available in gloss or matte.

* Trim options (including Accurate Levers) may not be available in US32D, US32, US9, or US10 finish. Please call for assistance.

To view example of finishes visit: [Accurate Finishes](#).

CYLINDERS & KEYING

2002 Series locks accept any standard American mortise cylinder. For details on required cams and compatibility with other manufacturers' cylinders, please visit: [Accurate Support](#).





HOW TO SPECIFY

TRIM.FUNCTION.BACKSET.FINISH.HAND.DOOR THICKNESS.DOOR TYPE.OPTIONS

TRIM
Flush Pulls
S, A, N, O (pg. 23-26)

FUNCTION
See (pg. 6-7, 12)

BACKSET
2, 2 1/2", 2 3/4"
3 3/4", 5" 6"

FINISHES
See (pg.29)

HAND
See (pg.29)

DOOR THICKNESS
For 1-3/4" thick
doors (unless
specified)

DOOR TYPE
SD (single door)
PD (pair of doors)

STRIKE
SD (single door)
SD-8
2002JPP
PD (pair of doors)
2002CPDS/2002CPDS-Q)
OPTIONS
Finished
bolts/buttons/bales/
backplates where
applicable for an
upcharge

EXAMPLES

Quiet Pocket Door Set | Exposed Fasteners | Double Cylinder | Single Door
E.g.: **S.2002Q-2.212.US26D.134.SD**

Pocket Door Set | Exposed Fasteners | Passage | Single Door | Jamb Protector Plate
E.g.: **O.2002CPDP.234.US3.134.SD.2002JPP**

Pocket Door Set | Exposed Fasteners | Privacy with Indicator | Pair of Doors | All Bolts Finished
E.g.: **S.2002CPDL-5i.2.US19.RH.134.PD.US19BOLTS**

Quiet Pocket Door Set | Exposed Fasteners | Entry | Pair of Doors
E.g.: **A.2002Q-3.5.US14.134.PD**

NOTES

- Furnished standard with 2002CPDL Pocket Door Lock with Integrated Edge Pull (2002Q Quiet Pocket Door Lock with Integrated Edge Pull available, specify 2002Q).
- Custom narrow and large backsets are available. 1 3/4" backset available for non-cylinder functions.
- SD Strike and Dust Box are included in the lock cost. (SD-8, 2002JPP and 2002CPDS/2002CPDS-Q require an upcharge).

**ACCURATE LOCK & HARDWARE
MANUFACTURERS OF LOCKS AND
CUSTOM ARCHITECTURAL HARDWARE**

1 Annie Place | Stamford, CT 06902

P: 203.348.8865

F: 203.348.5234

E: sales@accuratelockandhardware.com

www.accuratelockandhardware.com



**AMERICAN CRAFTED
— SINCE 1972 —**