



# ACCURATE

## LOCK & HARDWARE

AMERICAN CRAFTED SINCE 1972

---

### POCKET DOOR HARDWARE SETS | CONCEALED FASTENERS

POCKET DOOR LOCK + FLUSH PULLS WITH CONCEALED FASTENERS

## POCKET DOOR HARDWARE SETS | CONCEALED FASTENERS

Pocket door flush pulls feature concealed fasteners on the inside ledge of the pull.

Pocket Door Sets are available in privacy and passage functions for space-saving doors. Pair with a variety of flush pulls in most architectural finishes. Available with SilentPac™ Quiet Pocket Door Pull lock options featuring a quiet, slow release edge pull.



POCKET DOOR PRIVACY SET  
CONCEALED FASTENERS



# Pocket Door Hardware Flush Pull Options

**S2002**



**EXPOSED  
FASTENERS**

**CS2002**



**CONCEALED  
FASTENERS**

**IS2002**



**INVISI-MOUNT  
SCREWLESS MOUNTING**

# Pocket Door Hardware Sets

## 2002CPDL + 2002Q



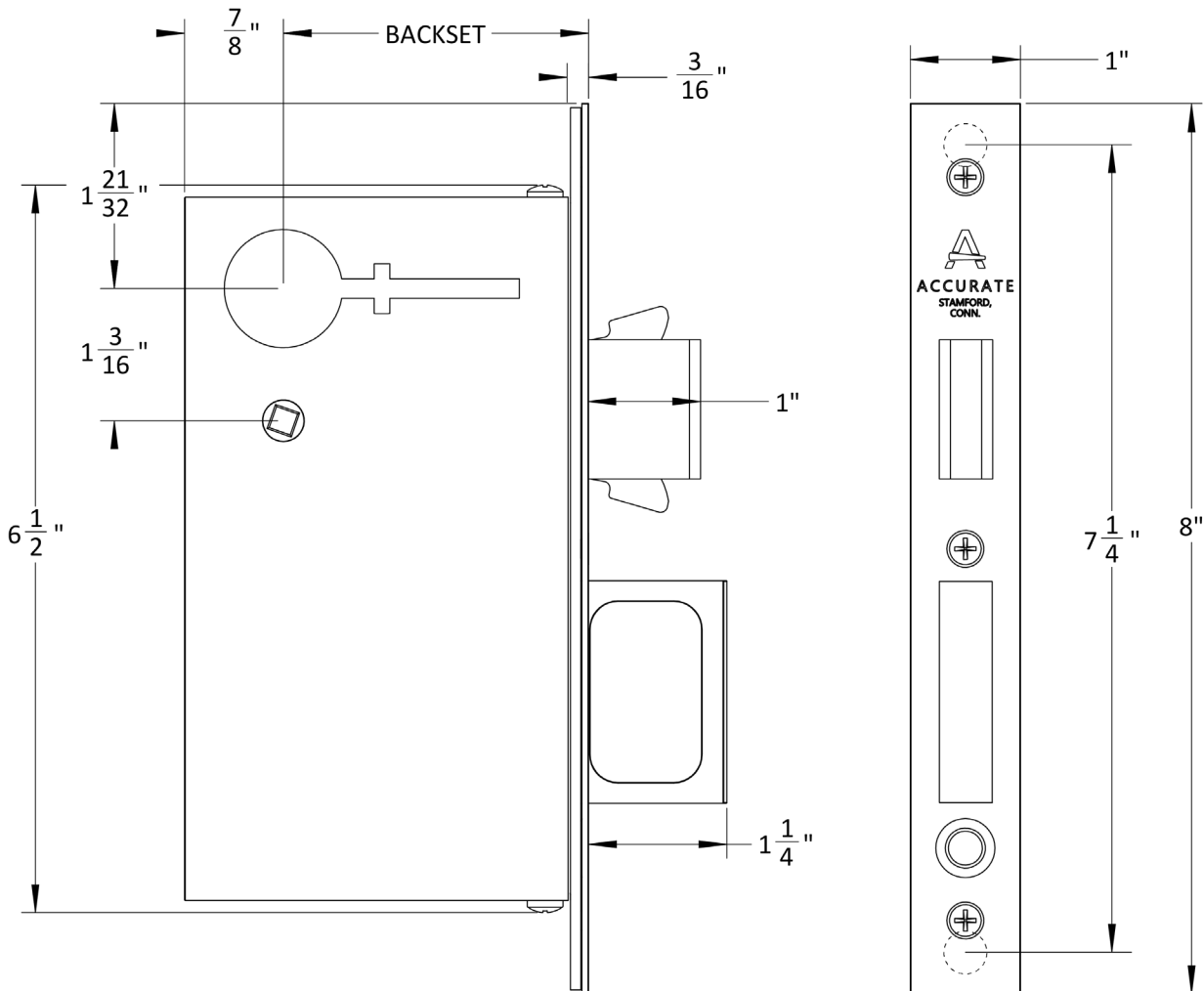
2002CPDL



2002Q

Pocket Door Hardware Locksets can be paired with the 2002CPDL Pocket Door Lock with Integrated Edge Pull or the 2002Q Quiet version that features a slow-release of the edge pull resulting in a quieter solution for space-saving pocket doors.

# 2002CPDL: Technical Details



**BACKSET:** 2", 2 1/2", 2 3/4", 3 3/4", 5", 6" (other backsets available custom order)

**CASE:** Heavy gauge, wrought (1 1/16" thick)

**ARMOR FRONT:** 1" wide, 8" standard made from brass, bronze or stainless steel and finished as required

**DEADBOLT:** 1/2" thick, 1 7/32" high, 1" throw

**PULL:** 1/2" thick, 2" high, 1 1/4" throw

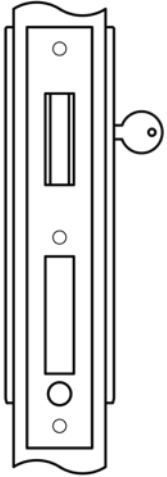
**STRIKE:** 3 1/2" x 1" deadlock type strike for single doors included (specify SD). 8" tall strike available at an upcharge (Specify SD-8). For double door openings, refer to 2002CPDS.

**THUMB TURN HUB:** 3/16" (5mm) on the diamond standard (specialty 6mm square hub available as special order)

**DUST BOX:** For single doors, available in brass, stainless steel or US10B

# Pocket Door Hardware Functions

## Single Doors



### 2002CPDL-1 | 2002Q-1 SINGLE CYLINDER

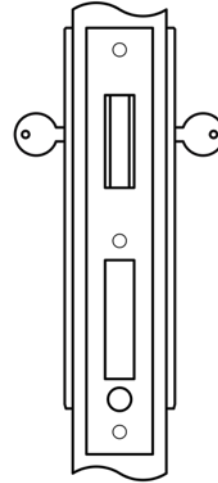
By key outside only.

Includes:

2002CPDL or 2002Q Quiet Pocket Door Lock with  
Integrated Edge Pull.

Flush Pull Trim: Cylinder Cutout x Blank.

2002C Cylinder Collar.



### 2002CPDL-2 | 2002Q-2 DOUBLE CYLINDER

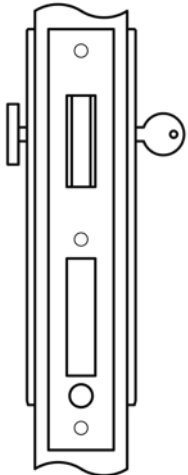
By key outside and inside.

Includes:

2002CPDL or 2002Q Quiet Pocket Door Lock with Integrated  
Edge Pull.

Flush Pull Trim: Cylinder Cutout x Cylinder Cutout.

2002C Cylinder Collar (2).



### 2002CPDL-3 | 2002Q-3 ENTRY

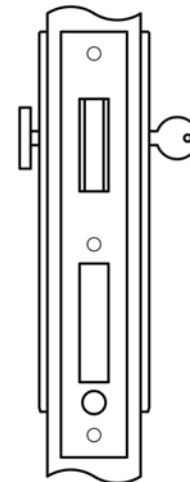
By key outside x T-turn inside.

Includes:

2002CPDL or 2002Q Quiet Pocket Door Lock with  
Integrated Edge Pull.

Flush Pull Trim: Cylinder Cutout x T-turn.

2002C Cylinder Collar.



### 2002CPDL-3i | 2002Q-3i ENTRY WITH INDICATOR

By key outside x thumb turn inside.

Includes:

2002CPDL or 2002Q Quiet Pocket Door Lock with  
Integrated Edge Pull.

Flush Pull Trim: Cylinder Cutout with Indicator x T-turn.

2002C Cylinder Collar.

Specify handing.

# Pocket Door Hardware Functions

## Single Doors



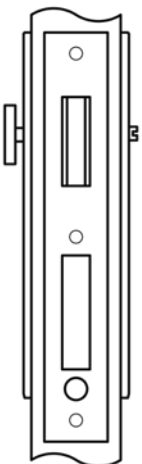
### 2002CPDL-4 | 2002Q-4 PRIVACY

By T-turn inside only.

Includes:

2002CPDL or 2002Q Quiet Pocket Door Lock with Integrated Edge Pull.

Flush Pull Trim: Blank x T-turn.



### 2002CPDL-5i | 2002Q-5i PRIVACY WITH INDICATOR

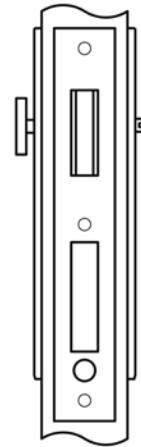
By T-turn inside, ERi outside.

Includes:

2002CPDL-5i or 2002Q Quiet Pocket Door Lock with Integrated Edge Pull.

Flush Pull Trim: Emergency Coin Release with Indicator x T-turn.

Specify handing.



### 2002CPDL-5 | 2002Q-5 PRIVACY

By T-turn inside, ER outside.

Includes:

2002CPDL or 2002Q Quiet Pocket Door Lock with Integrated Edge Pull.

Flush Pull Trim: Emergency Coin Release x T-turn.

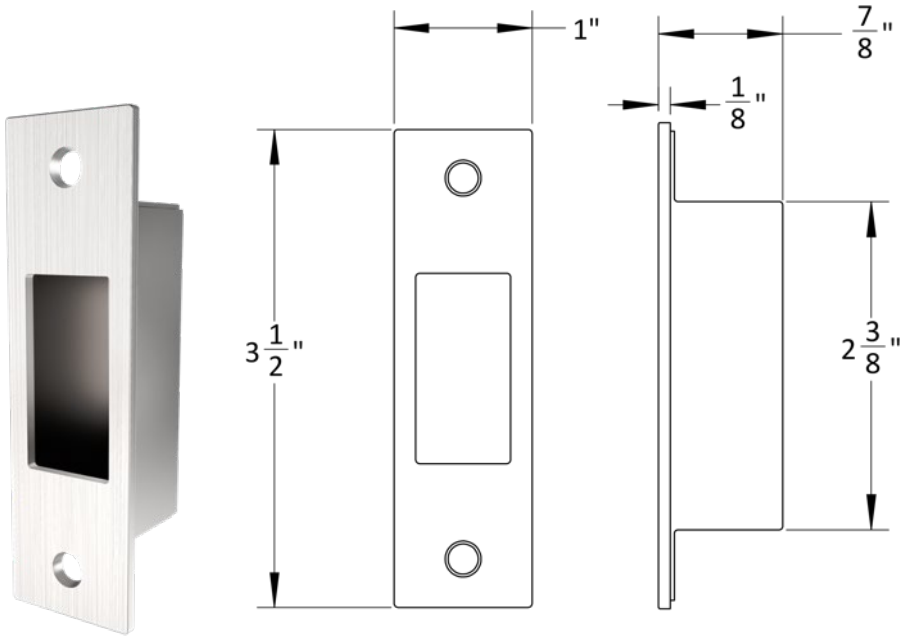
**NOTE:** Function drawings are shown with thumb turns and emergency releases to clearly demonstrate each function. These elements will not protrude from the flush pull as shown but will sit flush inside.



# Pocket Door Strikes | Single Doors

## SD STRIKE + DUST BOX

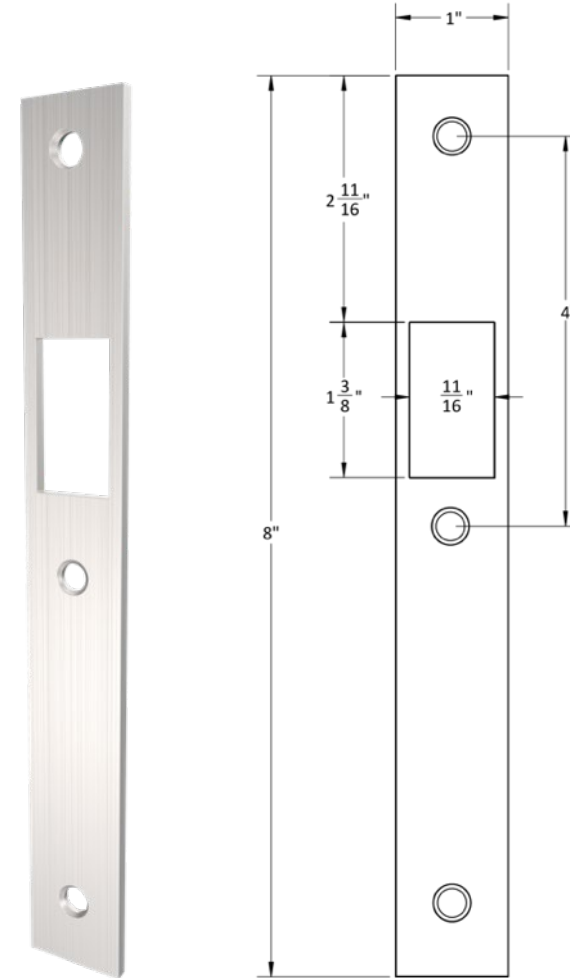
Furnished Standard



## SD-8 STRIKE

8" strike plate to oppose 2002CPDL/2002Q.

Available special order.





## PAIR OF DOOR HARDWARE SETS

Pocket Door Hardware Sets with  
Concealed Fasteners are available  
for locking double pocket doors.

Pair with 2002CPDL or 2002Q  
with 2002CPDS or 2002CPDS-Q

Quiet Pocket Door Strike with  
Integrated Edge Pull and Blank  
Flush Pulls.

Flush Pulls.

PAIR OF DOORS  
POCKET DOOR PRIVACY SET  
CONCEALED FASTENERS

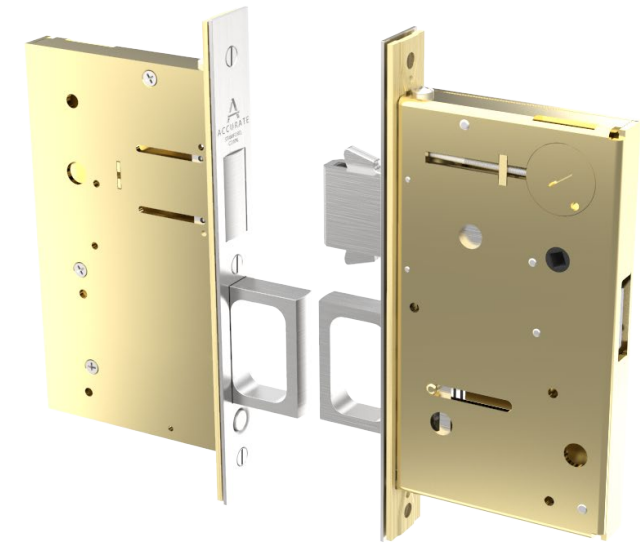
# Pocket Door Hardware Sets

## 2002CPDS + 2002CPDS-Q

### 2002CPDS + 2002CPDS-Q

#### POCKET DOOR STRIKE WITH INTEGRATED EDGE PULL

- Pair with 2002CPDL/2002Q for privacy double pocket doors
- The 2002CPDS is designed for dummy doors on double door openings (pair with Blank Flush Pulls)
- Available with Quiet Pocket Door Pull that features a slow release edge pull that pops out of the lock with press of a button allowing for comfortable operation to pull door out of pocket.



2002CPDS-Q

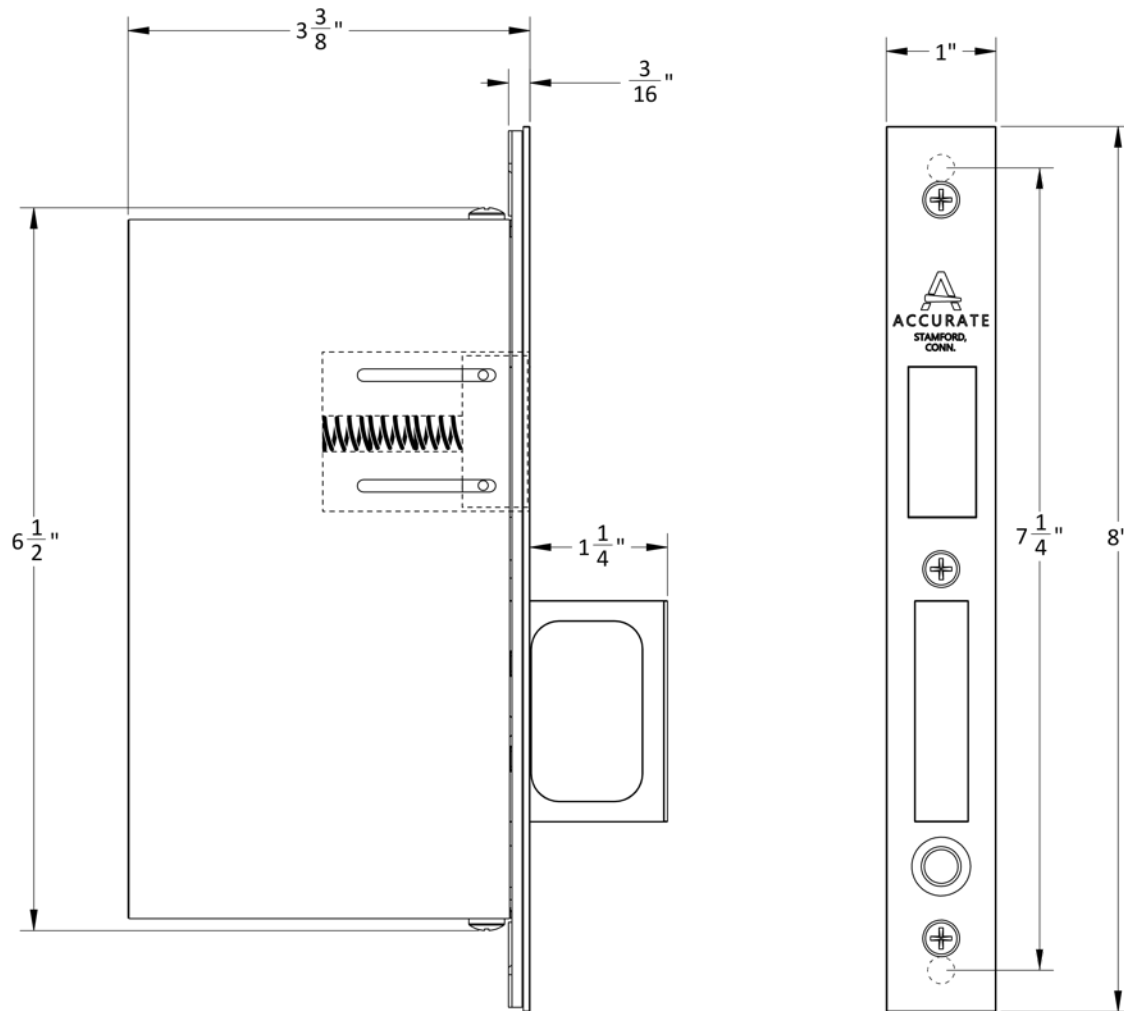
2002CPDL



2002CPDS-Q

2002Q

# 2002CPDS: Technical Details



3 <sup>3</sup>/<sub>8</sub>" overall depth standard

3 <sup>7</sup>/<sub>8</sub>" overall depth available (specify as 2002CPDS-SD-Q)

**CASE:** Heavy gauge, wrought (<sup>11</sup>/<sub>16</sub>" thick)

**ARMOR FRONT:** 1" wide, 8" standard made from brass, bronze or stainless steel and finished as required

**PULL:** <sup>1</sup>/<sub>2</sub>" thick, 2" high, 1 <sup>1</sup>/<sub>4</sub>" throw

# Pocket Door Hardware Functions

## Pair of Doors

### 2002CPDL-3 | 2002Q-3 PRIVACY

By key outside, T-turn inside.

Includes:

2002CPDL or 2002Q Quiet Pocket Door Lock with Integrated Edge Pull.

Flush Pull Trim: Cylinder Cutout x T-turn.

2002C Cylinder Collar.

2002CPDS or 2002CPDS-Q Quiet Pocket Door Strike with Integrated Edge Pull and Pair of Blank Flush Pulls.

### 2002CPDL-5 | 2002Q-5 PRIVACY

By T-turn inside, ER outside.

Includes:

2002CPDL or 2002Q Quiet Pocket Door Lock with Integrated Edge Pull.

Flush Pull Trim: Emergency Coin Release x T-turn.

2002CPDS or 2002CPDS-Q Quiet Pocket Door Strike with Integrated Edge Pull and Pair of Blank Flush Pulls.

### 2002CPDL-5i | 2002Q-5i PRIVACY WITH INDICATOR

By T-turn inside, ERi outside.

Includes:

2002CPDL or 2002Q Quiet Pocket Door Lock with Integrated Edge Pull.

Flush Pull Trim: Emergency Coin Release with Indicator x T-turn.

2002CPDS-Q Quiet Pocket Door Strike with Integrated Edge Pull and Pair of Blank Flush Pulls.

Specify handing.

**NOTE:** Function drawings are shown with thumb turns and emergency releases to clearly demonstrate each function. These elements will not protrude from the flush pull as shown but will sit flush inside.

## PASSAGE POCKET DOOR HARDWARE SETS

Pocket Door Hardware Sets with  
Concealed Fasteners are available for  
passage non-locking doors. Pair with  
the standard 5" 2000 or 2000Q Pocket  
Door Edge Pull and Blank Flush Pulls.



**2000 PASSAGE SET  
CONCEALED FASTENERS**

# Pocket Door Hardware Sets

## 2000 + 2002Q



**2000**

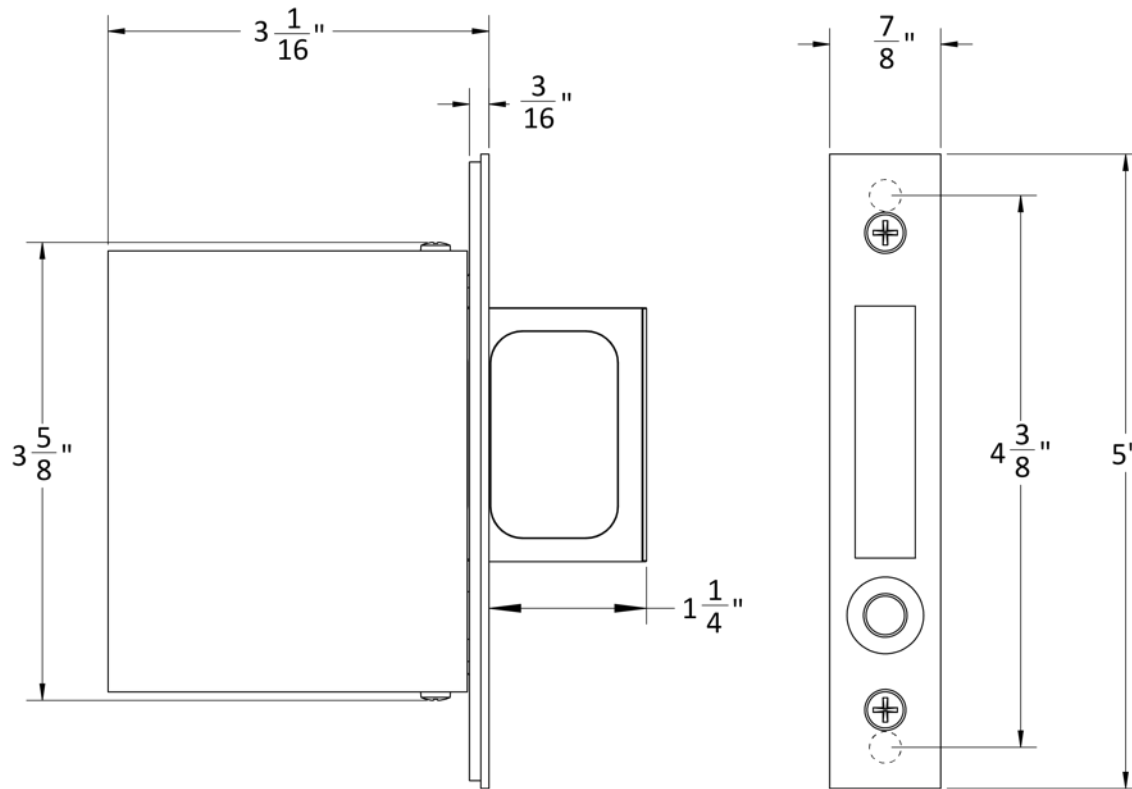


**2000Q**

### **2000 + 2000Q 5" POCKET DOOR EDGE PULL**

- For passage, non-locking pocket doors (pair with Blank Flush Pulls)
- Available with Quiet Pocket Door Pull that features a Quiet slow release edge pull pops out of the lock with press of a button allowing for comfortable operation to pull door out of pocket.

# 2000: Technical Details



$3\frac{1}{16}$ " overall depth standard

**CASE:** Heavy gauge, wrought ( $1\frac{1}{16}$ " thick)

**ARMOR FRONT:** 1" wide, 5" standard made from brass, bronze or stainless steel and finished as required

**PULL:**  $\frac{1}{2}$ " thick, 2" high,  $1\frac{1}{4}$ " throw

## PASSAGE POCKET DOOR HARDWARE SETS

Pocket Door Hardware Sets with  
Concealed Fasteners are available for  
passage non-locking doors. Pair with  
the larger 8" 2002CPDP or 2002CPDP-Q  
Quiet Pocket Door Edge Pull.



2002CPDP PASSAGE SET  
CONCEALED FASTENERS



# Pocket Door Hardware Sets

## 2002CPDP + 2002CPDP-Q



**2002CPDP**



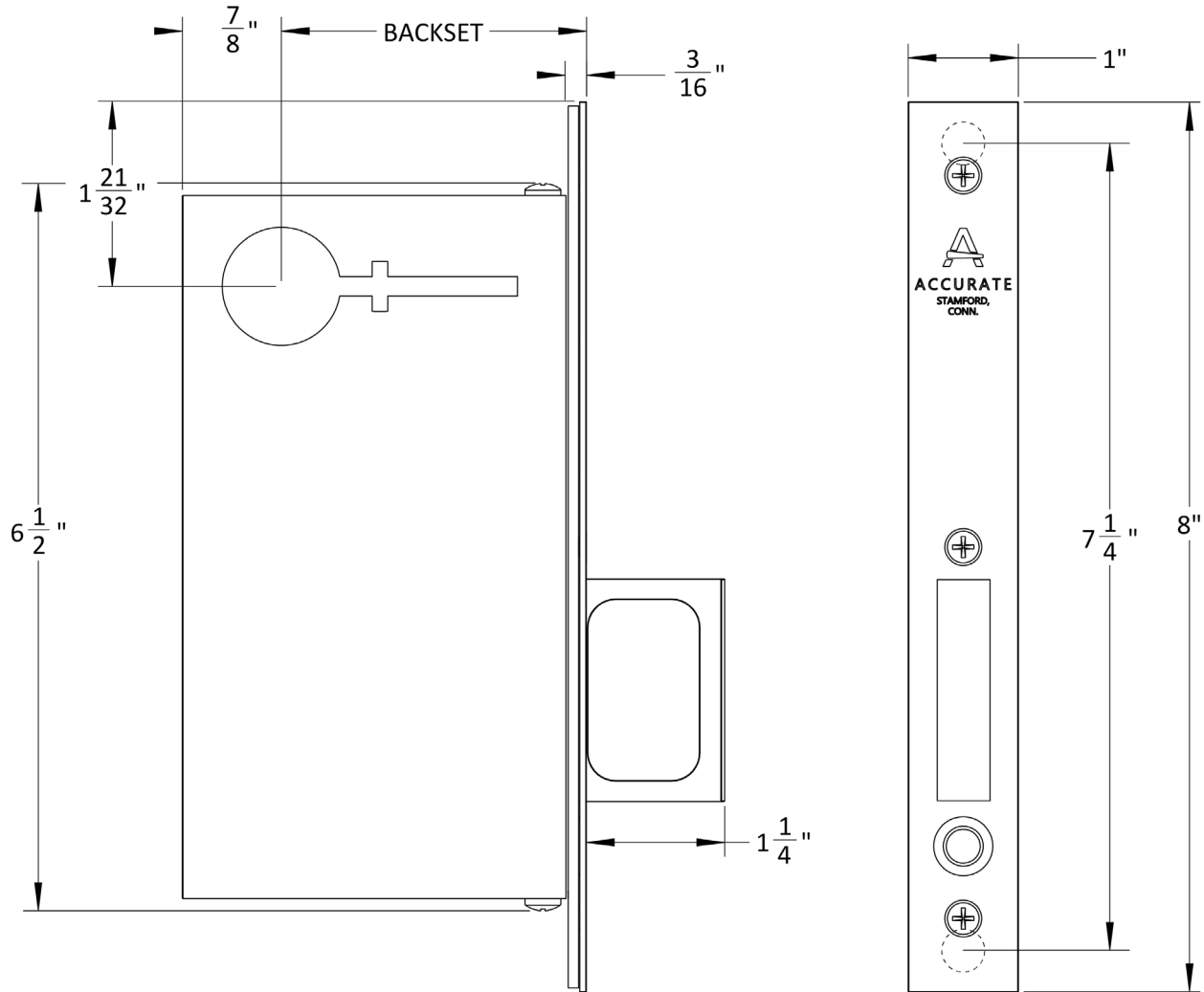
**2002CPDP-Q**

### 2002CPDP + 2002CPDP-Q POCKET DOOR EDGE PULL

- For passage, non-locking pocket doors (pair with Blank Flush Pulls)
- Available with Quiet Pocket Door Pull that features a Quiet slow release edge pull pops out of the lock with press of a button allowing for comfortable operation to pull door out of pocket.



# 2002CPDP: Technical Details



$3\frac{3}{8}$ " overall depth standard  
 $2\frac{7}{8}$ " overall depth available (specify as 2002CPDP-SD)

**CASE:** Heavy gauge, wrought ( $\frac{11}{16}$ " thick)

**ARMOR FRONT:**  $1$ " wide,  $8$ " standard made from brass, bronze or stainless steel and finished as required

**PULL:**  $\frac{1}{2}$ " thick,  $2$ " high,  $1\frac{1}{4}$ " throw

## PASSAGE POCKET DOOR HARDWARE SETS

Pocket Door Hardware Sets with Concealed Fasteners are available for passage non-locking doors. Pair with the 2011PDP or 2011PDP-Q Quiet Pocket Door Pull with Large Bale and Blank Flush Pulls.



**2011PDP PASSAGE SET  
CONCEALED FASTENERS**

# Pocket Door Hardware Sets

## 2011PDP + 2011PDP-Q



**2011PDP**

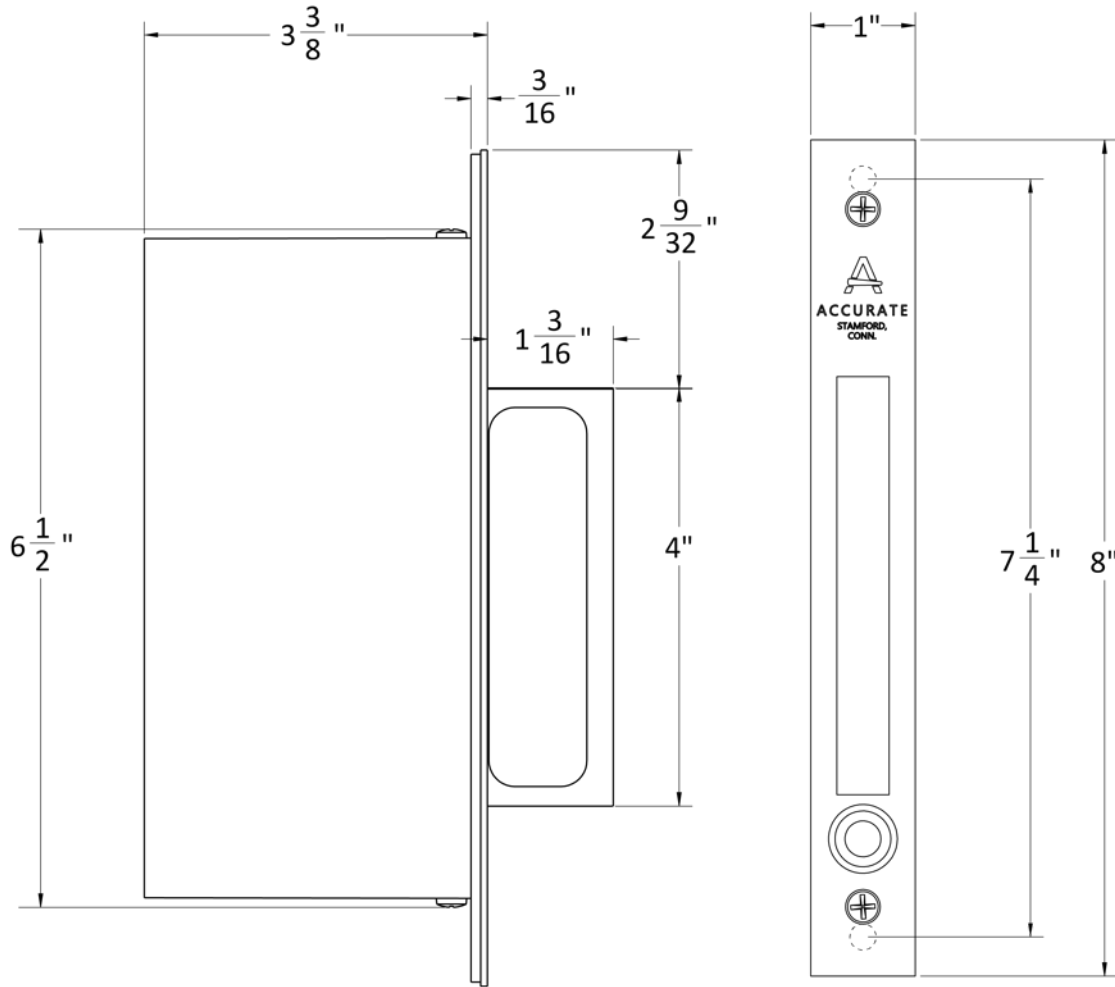


**2011PDP-Q**

### 2011PDP + 2011PDP-Q POCKET DOOR EDGE PULL WITH LARGE BALE

- For passage, non-locking pocket doors (pair with Blank Flush Pulls)
- Available with Quiet Pocket Door Pull that features a Quiet slow release edge pull pops out of the lock with press of a button allowing for comfortable operation to pull door out of pocket.

# 2011PDP: Technical Details



$3 \frac{3}{8}$ " overall depth standard

**CASE:** Heavy gauge, wrought ( $1 \frac{1}{16}$ " thick)

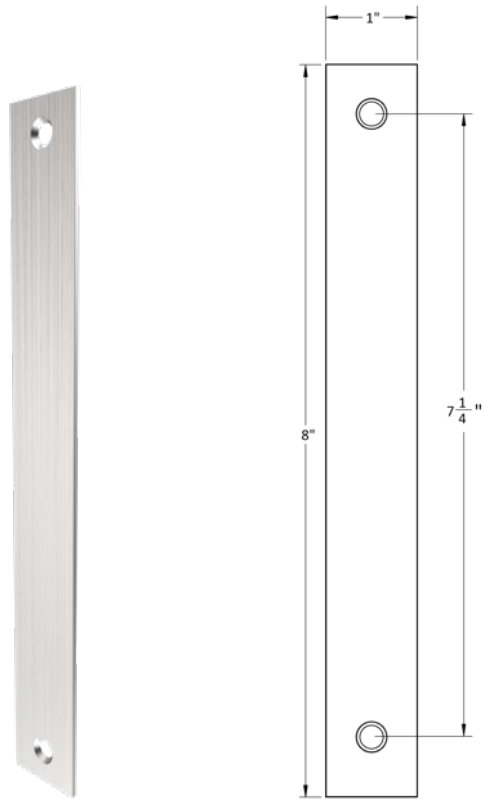
**ARMOR FRONT:**  $1$ " wide,  $8$ " standard made from brass, bronze or stainless steel and finished as required

**PULL:**  $\frac{1}{2}$ " thick,  $4$ " high,  $1 \frac{3}{16}$ " throw

# Pocket Door Jamb Protector Plates

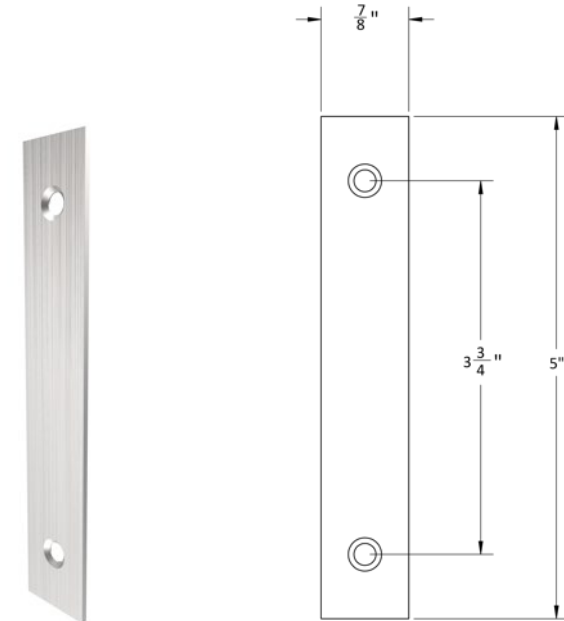
## 2002JPP

To oppose 2002CPDP or 2011PDP



## 2000JPP

To oppose 2000



# CS Style | Concealed Fasteners

CS2002B



CS2002E



CS2002T



CS2002C



CS2002-Oi



CS2002-COI



# CA Style | Concealed Fasteners

CA2002B



CA2002E



CA2002T



CA2002C



CA2002-Oi



CA2002-COi





# CN Style | Concealed Fasteners

CN2002B



CN2002E



CN2002T



CN2002C



CN2002-Oi



CN2002-COi



# CO Style | Concealed Fasteners

CO2002B



CO2002E



CO2002T



CO2002C



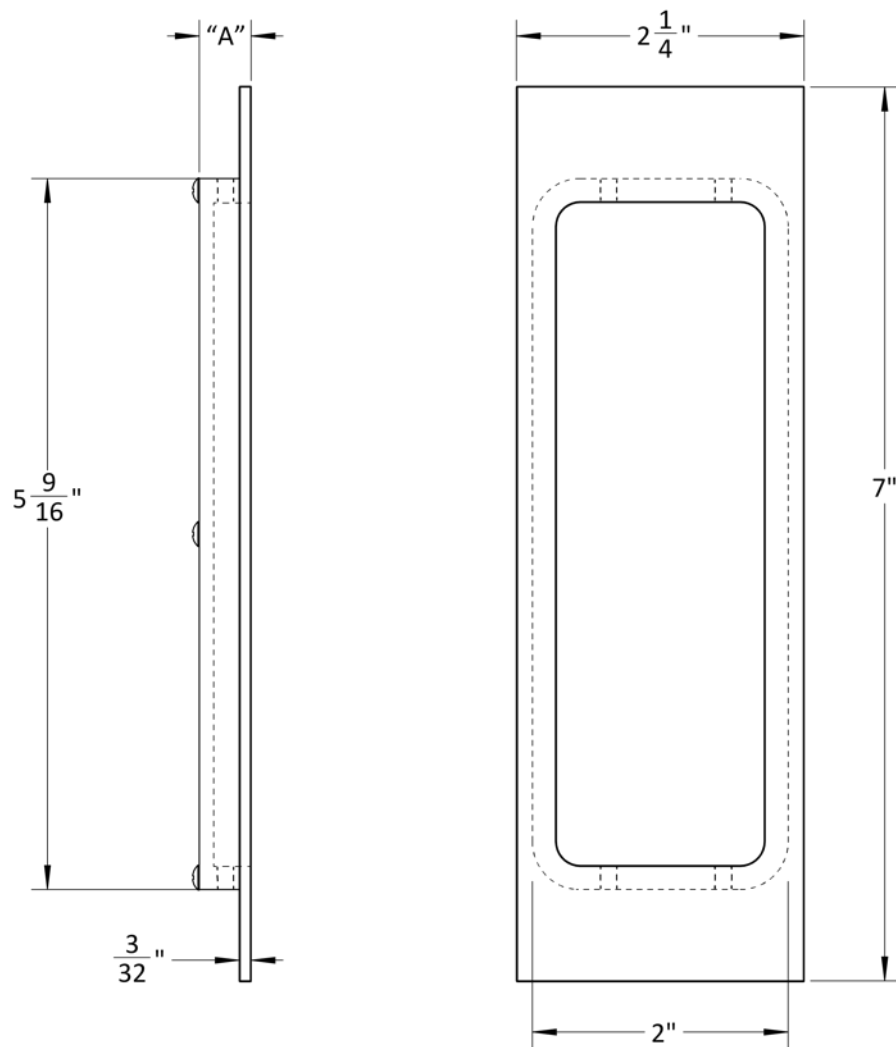
CO2002-Oi



O2002-COi



# Concealed Pocket Door Flush Pull Fasteners Dimensions



Dimensions apply to all Flush Pull Styles:

CS2002

CA2002

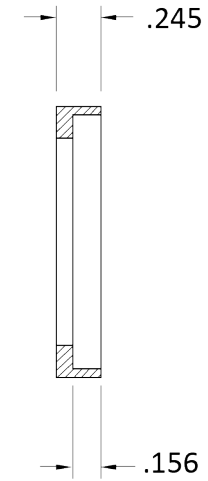
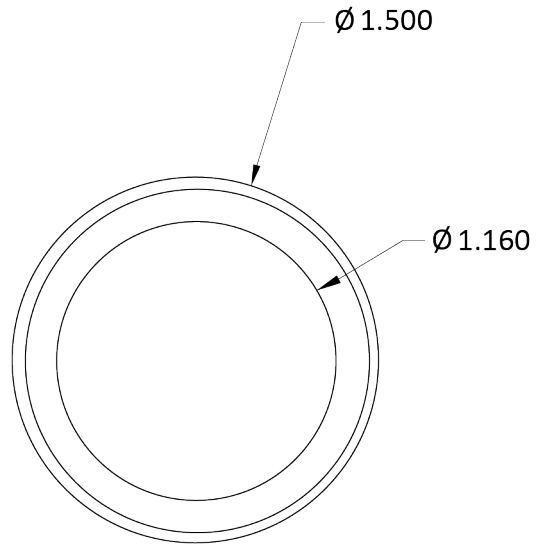
CN2002

CO2002

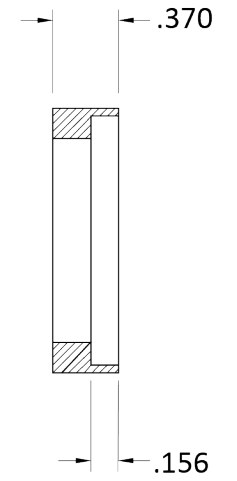
'A' =  $\frac{7}{16}$ " for doors  $1\frac{3}{4}$ " minimum

$\frac{5}{16}$ " for doors  $1\frac{3}{8}$ " minimum

# 2002C | Cylinder Collar



2002C.138



2002C.134

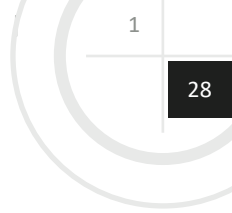
2002C Cylinder Collar is furnished standard with:

CS2002C, CS2002-COi

CA2002C, CA2002-COi

CN2002C, CN2002-COi

CO2002C, CO2002-COi



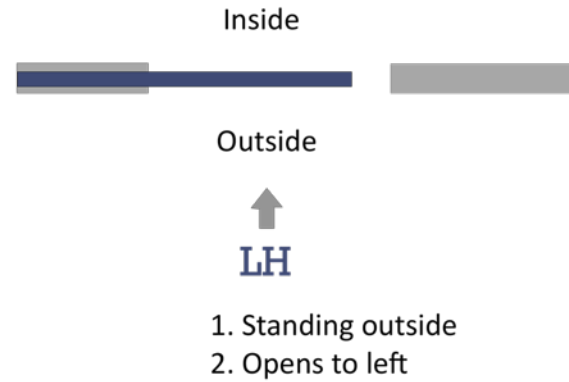
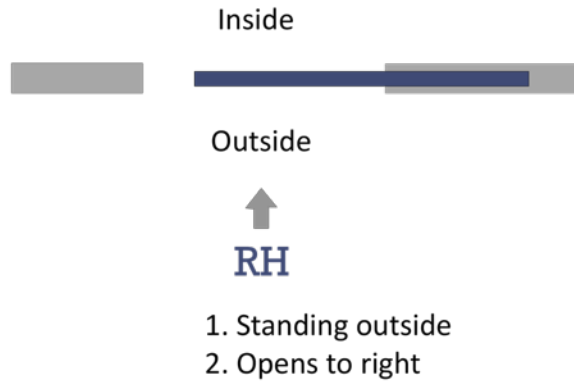
# HOW TO SPECIFY

## HANDING

Specify Handing on the following functions:

2002Q-3i

2002Q-5i



## FINISHES

**GROUP 1:** US4, US4NL, US32D\*, US26D

**GROUP 2:** US3, US3NL, US26, US32\*, US9\*, US10\*, US10B, US14, US15, US19

**GROUP 3:** BN, BB, TN, TB, DURO, ESN, US15A, US5

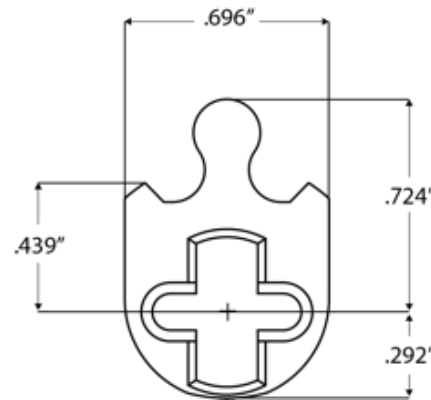
Applicable finishes come standard with [Cerakote Premium Protective Coating](#). Available in gloss or matte.

*\* Trim options (including Accurate Levers) may not be available in US32D, US32, US9, or US10 finish. Please call for assistance.*

To view example of finishes visit: [Accurate Finishes](#).

## CYLINDERS & KEYING

2002 Series locks accept any standard American mortise cylinder. For details on required cams and compatibility with other manufacturers' cylinders, please visit: [Accurate Support](#).





# HOW TO SPECIFY

**TRIM.FUNCTION.BACKSET.FINISH.HAND.DOOR THICKNESS.DOOR TYPE.OPTIONS**

**TRIM**  
Flush Pulls  
CS, CA, CN, CO (pg. 23-26)

**FUNCTION**  
See (pg. 6-7, 12)

**BACKSET**  
2, 2 1/2", 2 3/4"  
3 3/4", 5" 6"

**FINISHES**  
See (pg.29)

**HAND**  
See (pg.29)

**DOOR THICKNESS**  
For 1-3/4" thick  
doors (unless  
specified)

**DOOR TYPE**  
SD (single door)  
PD (pair of doors)

**STRIKE**  
SD (single door)  
SD-8  
PD (pair of doors)  
2002CPDS/2002CPDS-Q  
2000JPP/2002JPP  
**OPTIONS**  
Finished  
bolts/buttons/bales/  
backplates where  
applicable for an  
upcharge

## EXAMPLES

**Pocket Door Set | Concealed Fasteners | Double Cylinder | Single Door**

E.g.: **CS.2002Q-2.212.US26D.134.SD**

**Quiet Pocket Door Set | Concealed Fasteners | Passage | Single Door | Jamb Protector Plate**

E.g.: **CO.2002CPDP-Q.234.US3.134.SD.2002JPP**

**Pocket Door Set | Concealed Fasteners | Privacy | Pair of Doors | All Bolts Finished**

E.g.: **CS.2002Q-5.2.US19.134.PD.US19BOLTS**

**Quiet Pocket Door Set | Passage Large Bale | Single Door**

E.g.: **CA.2011PDP-Q.5.US14.134.PD**

## NOTES

- Furnished standard with 2002CPDL Pocket Door Lock with Integrated Edge Pull (2002Q Quiet Pocket Door Lock with Integrated Edge Pull available, specify 2002Q).
- Custom narrow and large backsets are available. 1 3/4" backset available for non-cylinder functions.
- SD Strike and Dust Box are included in the lock cost. (SD-8, 2002JPP and 2002CPDS/2002CPDS-Q require an upcharge).

**ACCURATE LOCK & HARDWARE  
MANUFACTURERS OF LOCKS AND  
CUSTOM ARCHITECTURAL HARDWARE**

1 Annie Place | Stamford, CT 06902

**P:** 203.348.8865

**F:** 203.348.5234

**E:** sales@accuratelockandhardware.com

**[www.accuratelockandhardware.com](http://www.accuratelockandhardware.com)**



**AMERICAN CRAFTED  
— SINCE 1972 —**