



# ACCURATE LOCK & HARDWARE

AMERICAN CRAFTED SINCE 1972

---

## INVISI-MOUNT POCKET DOOR HARDWARE SETS

2002Q QUIET POCKET DOOR LOCK + INVISI-MOUNT FLUSH PULLS

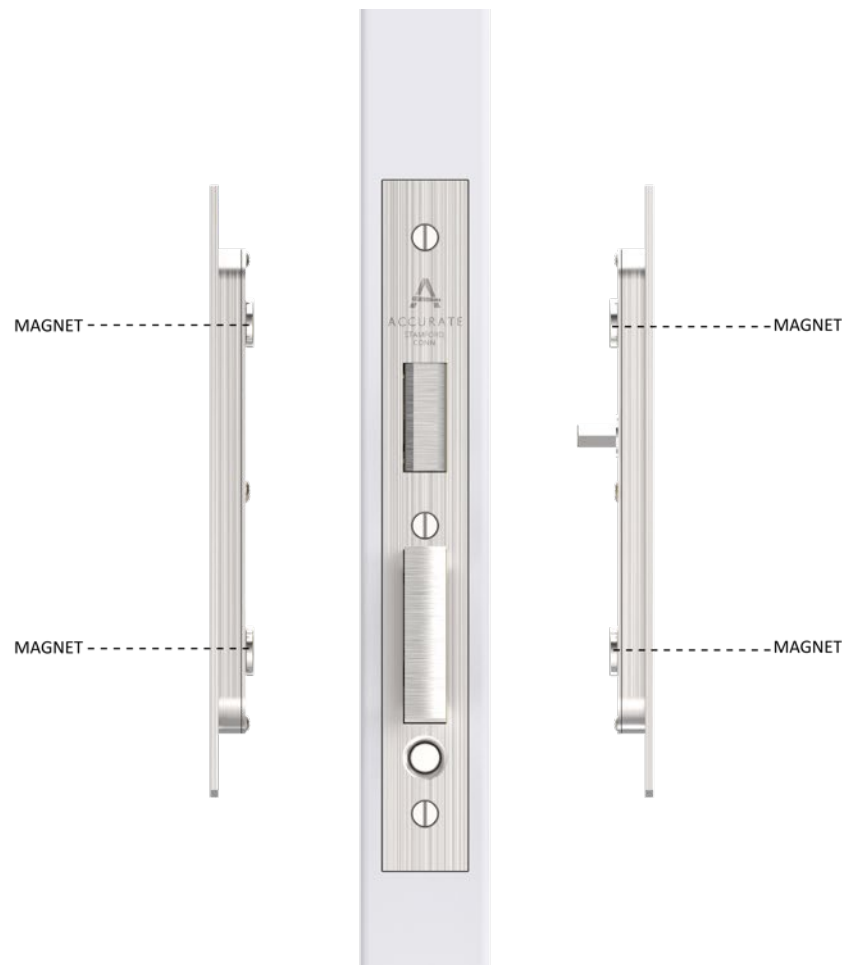


## INVISI-MOUNT POCKET DOOR HARDWARE SETS

Pocket door trim is now available with Invisi-Mount innovative mounting system offering the simplest and cleanest screwless installation on the market. Utilizing rare-earth magnets for secure and precise installation, this is an upgrade to exposed or concealed fastener options.

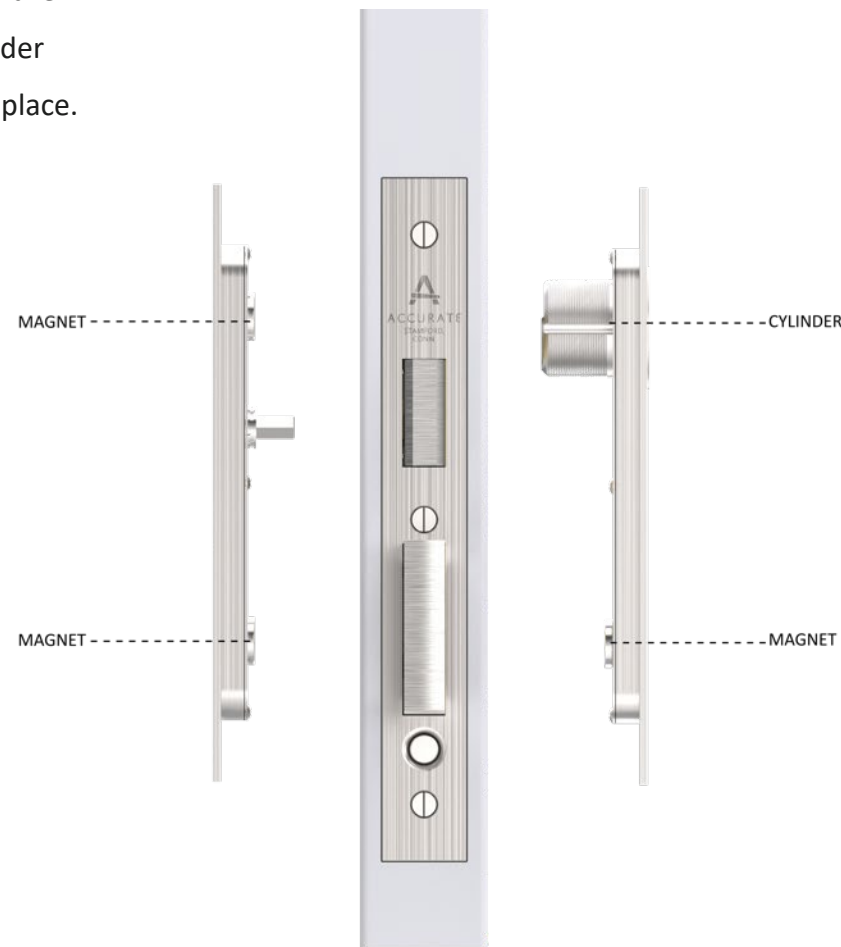
# Invisi-Mount Pocket Door Hardware Sets

Invisi-Mount Flush Pulls are mounted to the door with 2 rare-earth magnets.



# Invisi-Mount Pocket Door Hardware Sets Cylinder Function

Invisi-Mount Flush Pulls with a cylinder have one magnet on the bottom as the cylinder itself will hold the top of the flush pull in place.



# Pocket Door Flush Pull Options

**IS2002**



**INVISI-MOUNT  
SCREWLESS MOUNTING**

**CS2002**



**CONCEALED  
FASTENERS**

**S2002**



**EXPOSED  
FASTENERS**

# Invisi-Mount Pocket Door Hardware Sets 2002Q



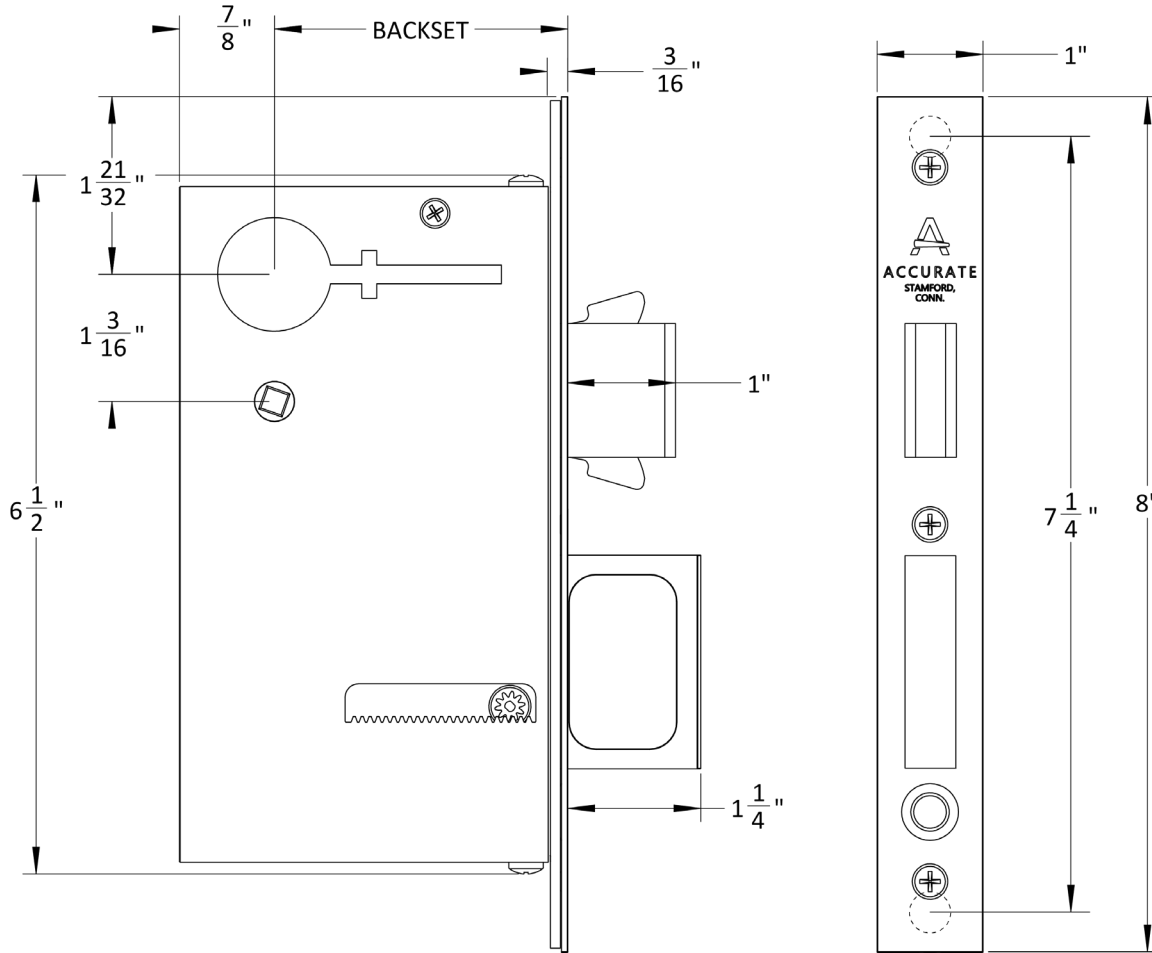
**2002Q**

SILENT **PAC**<sup>™</sup>  
by ACCURATE

**QUIET POCKET  
DOOR LOCK**

Invisi-Mount Flush Pulls are paired with the 2002Q SilentPac Quiet Pocket Door Pull that features a slow-release of the edge pull resulting in a quieter solution for space-saving pocket doors.

# 2002Q: Technical Details



**BACKSET:** 2", 2  $\frac{1}{2}$ ", 2  $\frac{3}{4}$ ", 3  $\frac{3}{4}$ ", 5", 6" (other backsets available custom order)

**CASE:** Heavy gauge, wrought ( $1\frac{1}{16}$ " thick)

**ARMOR FRONT:** 1" wide, 8" standard made from brass, bronze or stainless steel and finished as required

**DEADBOLT:**  $\frac{1}{2}$ " thick,  $1\frac{7}{32}$ " high, 1" throw

**PULL:**  $\frac{1}{2}$ " thick, 2" high,  $1\frac{1}{4}$ " throw

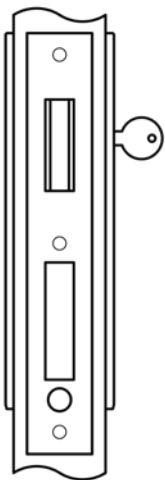
**STRIKE:** 3  $\frac{1}{2}$ " x 1" deadlock type strike for single doors included (specify SD). 8" tall strike available at an upcharge (Specify SD-8). For double door openings, refer to 2002CPDS.

**THUMB TURN HUB:**  $\frac{3}{16}$ " (5mm) on the diamond standard (specialty 6mm square hub available as special order)

**DUST BOX:** For single doors, available in brass, stainless steel or US10B

# Invisi-Mount Pocket Door Hardware Functions

## Single Doors



### 2002Q-1 SINGLE CYLINDER

By key outside only.

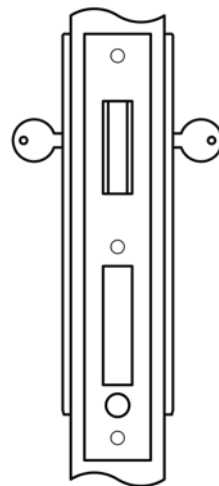
Includes:

2002Q Quiet Pocket Door Lock with Integrated Edge Pull.

Flush Pull Trim: Cylinder Cutout x Blank.

2002C Cylinder Collar.

*Specify handing.*



### 2002Q-2 DOUBLE CYLINDER

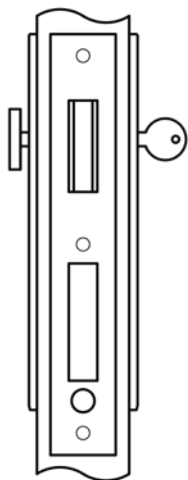
By key outside and inside.

Includes:

2002Q Quiet Pocket Door Lock with Integrated Edge Pull.

Flush Pull Trim: Cylinder Cutout x Cylinder Cutout.

2002C Cylinder Collar (2).



### 2002Q-3 ENTRY

By key outside x T-turn inside.

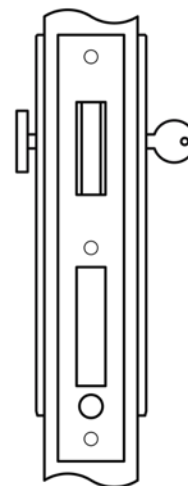
Includes:

2002Q Quiet Pocket Door Lock with Integrated Edge Pull.

Flush Pull Trim: Cylinder Cutout x T-turn.

2002C Cylinder Collar.

*Specify handing.*



### 2002Q-3i ENTRY WITH INDICATOR

By key outside x thumb turn inside.

Includes:

2002Q Quiet Pocket Door Lock with Integrated Edge Pull.

Flush Pull Trim: Cylinder Cutout with Indicator x T-turn.

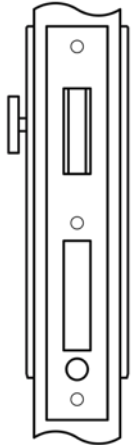
2002C Cylinder Collar.

*Specify handing.*



# Invisi-Mount Pocket Door Hardware Functions

## Single Doors



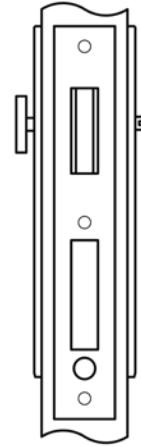
### 2002Q-4 PRIVACY

By T-turn inside only.

Includes:

2002Q Quiet Pocket Door Lock with Integrated Edge Pull.

Flush Pull Trim: Blank x T-turn.



### 2002Q-5 PRIVACY

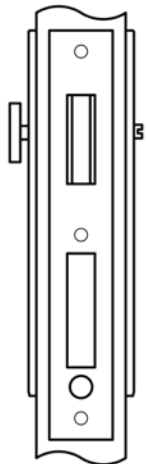
By T-turn inside, ER outside.

Includes:

2002Q Quiet Pocket Door Lock with Integrated Edge Pull.

Flush Pull Trim: Emergency Coin Release x T-turn.

*Specify handing.*



### 2002Q-5i PRIVACY WITH INDICATOR

By T-turn inside, ERi outside.

Includes:

2002Q Quiet Pocket Door Lock with Integrated Edge Pull.

Flush Pull Trim: Emergency Coin Release with Indicator x

T-turn.

*Specify handing.*

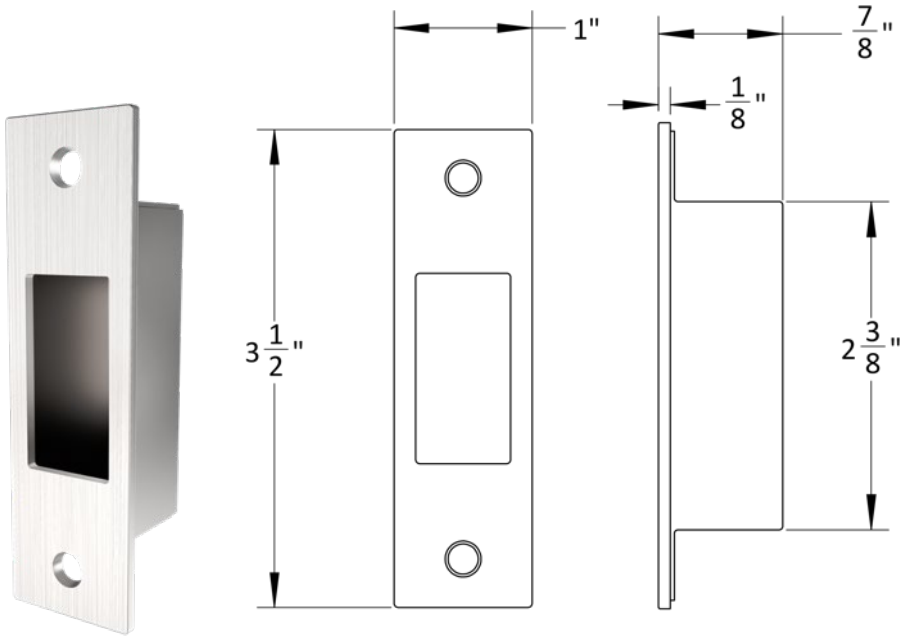
**NOTE:** Function drawings are shown with thumb turns and emergency releases to clearly demonstrate each function. These elements will not protrude from the flush pull as shown but will sit flush inside.



# Pocket Door Strikes | Single Doors

## SD STRIKE + DUST BOX

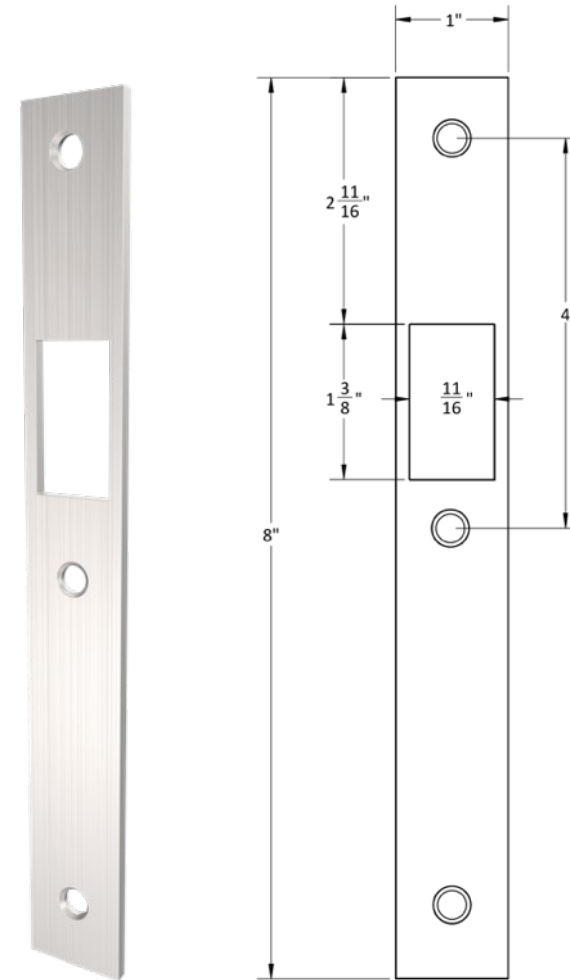
Furnished Standard



## SD-8 STRIKE

8" strike plate to oppose 2002Q.

Available special order.



## INVISI-MOUNT PAIR OF DOOR HARDWARE SETS

Invisi-Mount Hardware Sets are available for locking double pocket doors. Pair with 2002Q with 2002CPDS-Q Quiet Pocket Door Strike with Integrated Edge Pull and Blank Invisi-Mount Flush Pulls.

# Invisi-Mount Pocket Door Hardware Sets

## 2002CPDS-Q



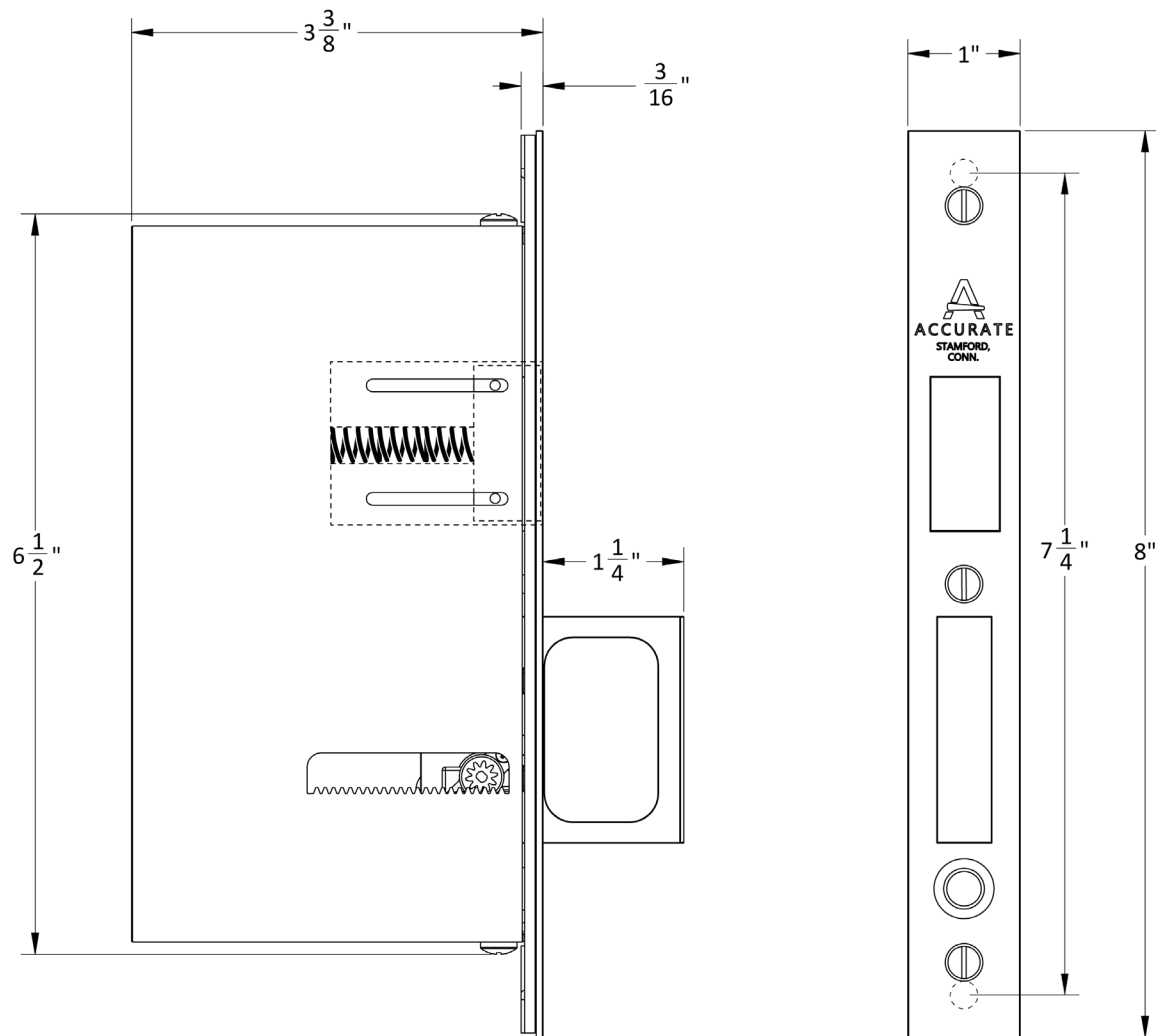
**2002CPDS-Q**

**2002Q**

### **2002CPDS-Q POCKET DOOR STRIKE WITH INTEGRATED EDGE PULL**

- For dummy doors on double door openings (pair with Blank Invisi-Mount Flush Pulls)
- Quiet slow release edge pull pops out of the lock with press of a button allowing for comfortable operation to pull door out of pocket.

# 2002CPDS-Q: Technical Details



3 <sup>3</sup>/<sub>8</sub>" overall depth standard

3 <sup>7</sup>/<sub>8</sub>" overall depth available (specify as 2002CPDS-SD-Q)

**CASE:** Heavy gauge, wrought (<sup>11</sup>/<sub>16</sub>" thick)

**ARMOR FRONT:** 1" wide, 8" standard made from brass, bronze or stainless steel and finished as required

**PULL:** <sup>1</sup>/<sub>2</sub>" thick, 2" high, 1 <sup>1</sup>/<sub>4</sub>" throw

# Invisi-Mount Pocket Door Hardware Functions

## Pair of Doors

### 2002Q-3 PRIVACY

By key outside, T-turn inside.

Includes:

2002Q Quiet Pocket Door Lock with Integrated Edge Pull.

Flush Pull Trim: Cylinder Cutout x T-turn.

2002C Cylinder Collar.

2002CPDS-Q Quiet Pocket Door Strike with Integrated Edge Pull  
and Pair of Blank Flush Pulls.

*Specify handing.*

### 2002Q-5i PRIVACY WITH INDICATOR

By T-turn inside, ERi outside.

Includes:

2002Q Quiet Pocket Door Lock with Integrated Edge Pull.

Flush Pull Trim: Emergency Coin Release with Indicator x T-turn.

Quiet Pocket Door Strike with Integrated Edge Pull  
and Pair of Blank Flush Pulls.

*Specify handing.*

### 2002Q-5 PRIVACY

By T-turn inside, ER outside.

Includes:

2002Q Quiet Pocket Door Lock with Integrated Edge Pull.

Flush Pull Trim: Emergency Coin Release x T-turn.

2002CPDS-Q Quiet Pocket Door Strike with Integrated Edge  
Pull and Pair of Blank Flush Pulls.

*Specify handing.*

**NOTE:** Function drawings are shown with thumb turns and emergency releases to clearly demonstrate each function. These elements will not protrude from the flush pull as shown but will sit flush inside.

## INVISI-MOUNT PASSAGE HARDWARE SETS

Invisi-Mount Hardware Sets are available for passage non-locking doors. Pair with 2002CPDP-Q Quiet Pocket Door Pull and Blank Invisi-Mount Flush Pulls.



# Invisi-Mount Pocket Door Hardware Sets

## 2002CPDP-Q



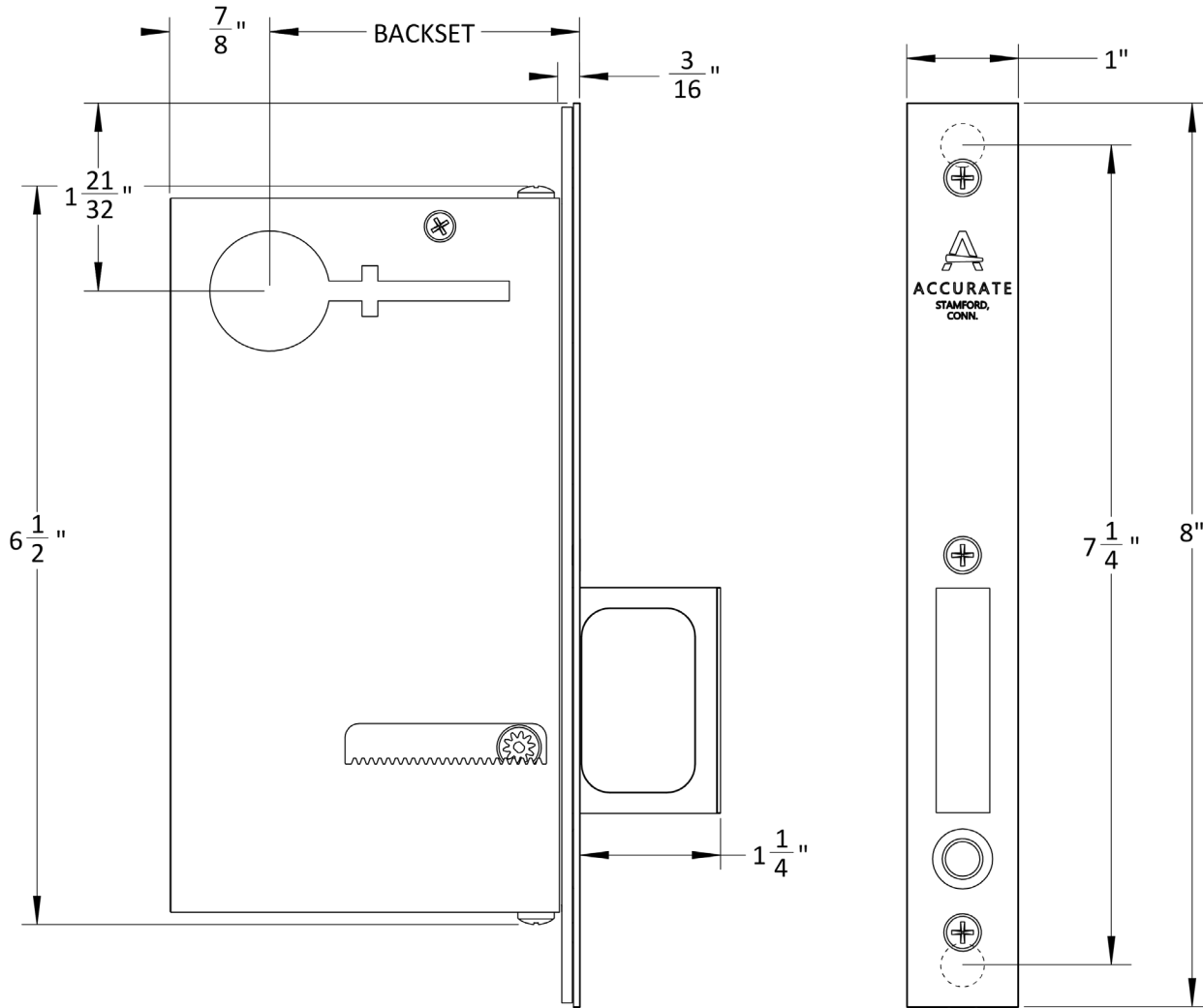
**2002CPDP-Q**

### **2002CPDP-Q POCKET DOOR EDGE PULL**

- For passage, non-locking pocket doors (pair with Blank Invisi-Mount Flush Pulls)
- Quiet slow release edge pull pops out of the lock with press of a button allowing for comfortable operation to pull door out of pocket.



# 2002CPDP-Q: Technical Details



$3\frac{3}{8}$ " overall depth standard  
 $2\frac{7}{8}$ " overall depth available (specify as 2002CPDP-SD-Q)

**CASE:** Heavy gauge, wrought ( $1\frac{1}{16}$ " thick)

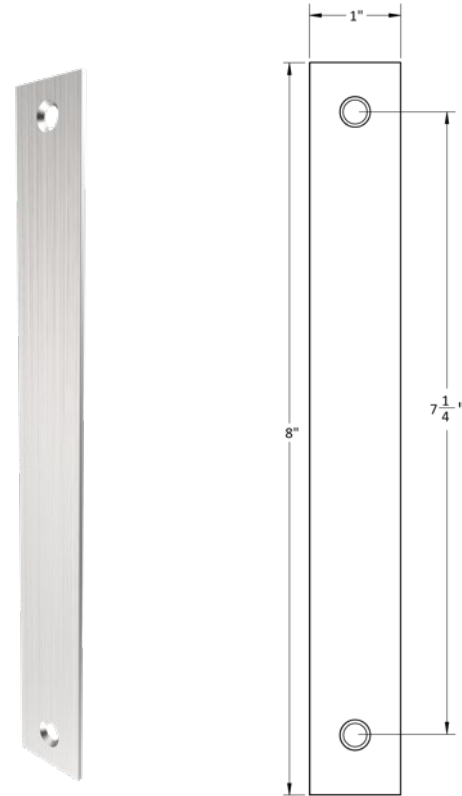
**ARMOR FRONT:** 1" wide, 8" standard made from brass, bronze or stainless steel and finished as required

**PULL:**  $\frac{1}{2}$ " thick, 2" high,  $1\frac{1}{4}$ " throw

# Pocket Door Jamb Protector Plate

**2002JPP**

To oppose 2002CPDP



# IS Style | Invisi-Mount (Screwless Mounting)

IS2002B



IS2002E



IS2002T



IS2002C



IS2002-Oi



IS2002-COi



# A Style | Invisi-Mount (Screwless Mounting)

IA2002B



IA2002E



IA2002T



IA2002C



IA2002-Oi



IA2002-COi



# N Style | Invisi-Mount (Screwless Mounting)

IN2002B



IN2002E



IN2002T



IN2002C



IN2002-Oi



IN2002-COi



# O Style | Invisi-Mount (Screwless Mounting)

IO2002B



IO2002E



IO2002T



IO2002C



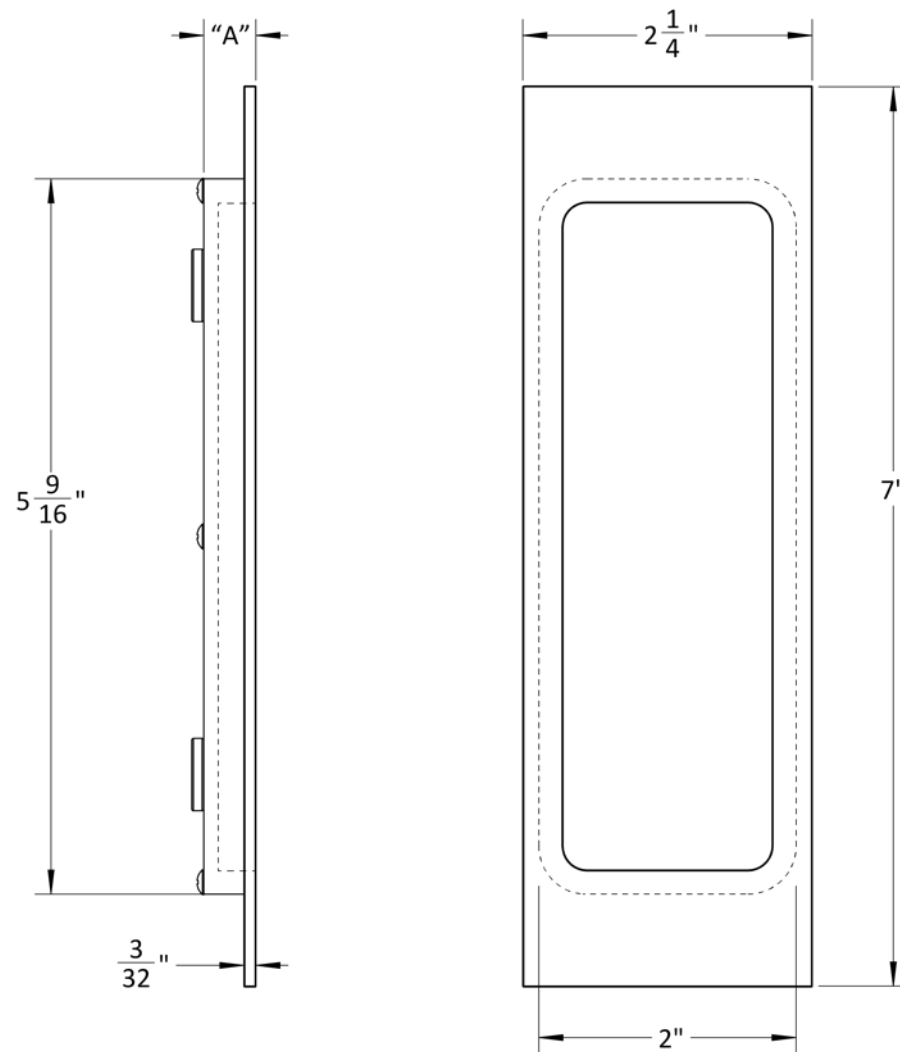
IO2002-Oi



IO2002-COi



# Invisi-Mount Pocket Door Flush Pull Dimensions



Dimensions apply to all Invisi-Mount

Flush Pull Styles:

IS2002

IA2002

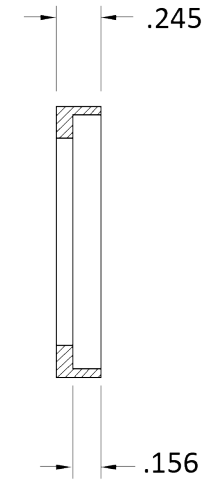
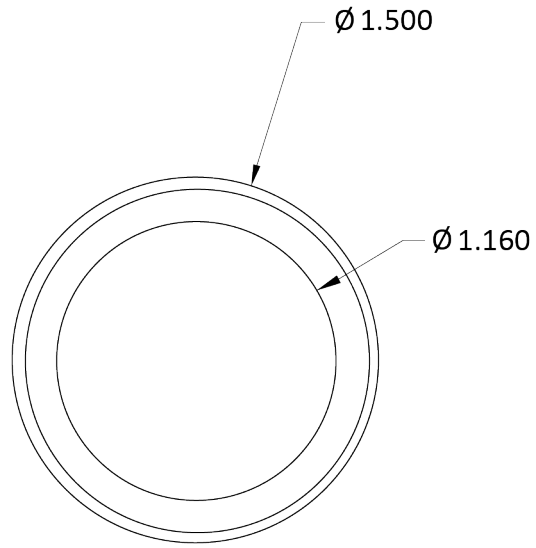
IN2002

IO2002

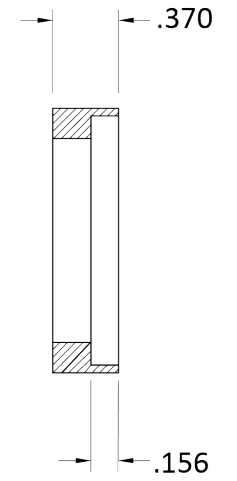
'A' =  $\frac{7}{16}$ " for doors  $1 \frac{3}{4}$ " minimum

$\frac{5}{16}$ " for doors  $1 \frac{3}{8}$ " minimum

# 2002C | Cylinder Collar



2002C.138



2002C.134

2002C Cylinder Collar is furnished standard with:

IS2002C, IS2002-COi

IA2002C, IA2002-COi

IN2002C, IN2002-COi

IO2002C, IO2002-COi





# HOW TO SPECIFY

## HANDING

Specify Handing on the following functions:

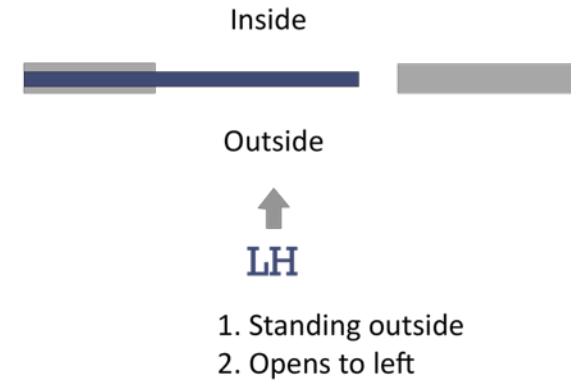
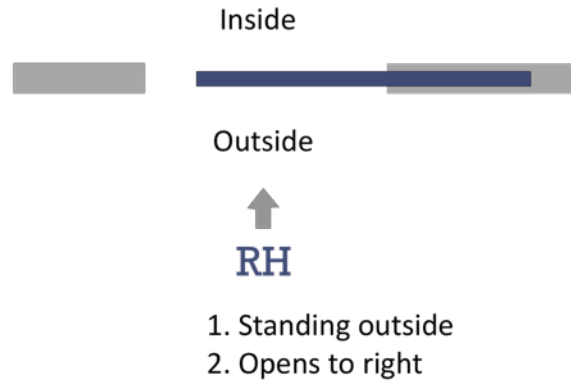
2002Q-1

2002Q-3

2002Q-3i

2002Q-5

2002Q-5i



## FINISHES

**GROUP 1:** US4, US4NL, US32D\*, US26D

**GROUP 2:** US3, US3NL, US26, US32\*, US9\*, US10\*, US10B, US14, US15, US19

**GROUP 3:** BN, BB, TN, TB, DURO, ESN, US15A, US5

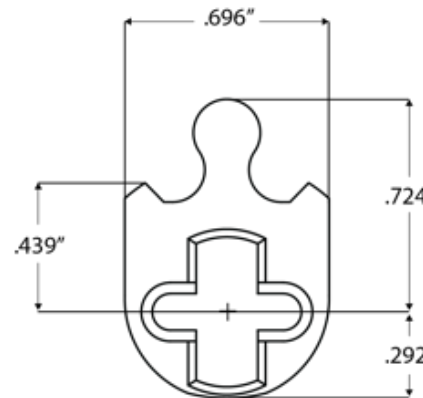
Applicable finishes come standard with [Cerakote Premium Protective Coating](#). Available in gloss or matte.

*\* Trim options may not be available in US32D, US32, US9, or US10 finish. Please call for assistance.*

To view example of finishes visit: [Accurate Finishes](#).

## CYLINDERS & KEYING

2002Q Series locks accept any standard American mortise cylinder. For details on required cams and compatibility with other manufacturers' cylinders, please visit: [Accurate Support](#).



# HOW TO SPECIFY

**TRIM.FUNCTION.BACKSET.FINISH.HAND.DOOR THICKNESS.DOOR TYPE.OPTIONS**

**TRIM**  
Invisi-Mount Flush Pulls  
IS, IA, IN, IO (pg. 19-22)

**FUNCTIONS**  
See (pg. 8-9, 14)

**BACKSET**  
2, 2 1/2", 2 3/4"  
3 3/4", 5" 6"

**FINISHES**  
See (pg.24)

**HAND**  
See (pg.25)

**DOOR THICKNESS**  
For 1-3/4" thick  
doors (unless  
specified)

**DOOR TYPE**  
SD (single door)  
PD (pair of doors)

**STRIKE**  
SD (single door)  
SD-8  
PD (pair of doors  
2002CPDS-Q)  
2002JPP

**OPTIONS**  
Finished  
bolts/buttons/bales/  
backplates where  
applicable for an  
upcharge

## EXAMPLES

**Invisi-Mount Quiet Pocket Door Set | Double Cylinder | Single Door**

E.g.: **IS.2002Q-2.212.US26D.134.SD**

**Invisi-Mount Quiet Pocket Door Set | Passage | Single Door | Jamb Protector Plate**

E.g.: **IO.2002CPDP-Q.234.US3.134.SD.2002JPP**

**Invisi-Mount Quiet Pocket Door Set | Privacy | Pair of Doors | All Bolts Finished**

E.g.: **IS.2002Q-5.2.US19.RH.134.PD.US19BOLTS**

**Invisi-Mount Quiet Pocket Door Set | Entry | Pair of Doors**

E.g.: **IA.2002Q-3.5.US14.LH.134.PD**

## NOTES

- Furnished standard with 2002Q SilentPac Quiet Pocket Door Lock (2002CPDL Pocket Door Lock with Integrated Edge Pull available, specify 2002CPDL-X).
- Custom narrow and large backsets are available. 1 3/4" backset available for non-cylinder functions.
- SD Strike and Dust Box are included in the lock cost. (SD-8, 2002JPP and 2002CPDS-Q require an upcharge).
- Specify handing for relevant functions (see pg. 25)

**ACCURATE LOCK & HARDWARE  
MANUFACTURERS OF LOCKS AND  
CUSTOM ARCHITECTURAL HARDWARE**

1 Annie Place | Stamford, CT 06902

**P:** 203.348.8865

**F:** 203.348.5234

**E:** sales@accuratelockandhardware.com

**www.accuratelockandhardware.com**



**AMERICAN CRAFTED**  
**— SINCE 1972 —**