



# ACCURATE LOCK & HARDWARE

AMERICAN CRAFTED SINCE 1972

---

## T2200 TUBULAR LATCH

PREMIUM QUALITY, REIMAGINED TECHNOLOGY

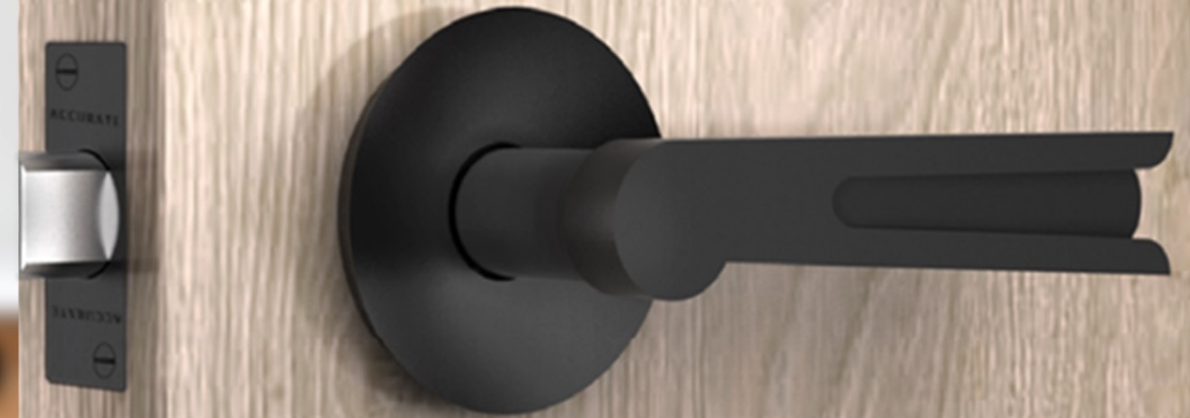
# TUBULAR LATCH

## T2200

Accurate's Tubular Latch combines the simplicity of tubular design with a variety of premium upgrades to make it the most durable and feature-rich product in its class.

Including:

- Stainless steel construction
- Field adjustable hub orientation to prevent lever tilt
- Adjustable latch projection
- Removable latch bolt to conveniently complement faceplate finish
- Removable faceplate allows for finish flexibility



TUBULAR LATCH PAIRED WITH THOM FILICIA FOR  
ACCURATE GRANBY LEVER IN US19

# T2200 Tubular Latch: Technical Details



**BACKSET:**  $2\frac{3}{8}$ " ,  $2\frac{3}{4}$ " standard

**CASE:** Heavy gauge, stainless steel

**FRONT:** Brass, bronze, aluminum or stainless steel, finished as required.  
Field removable faceplate, swivel front for bevel or flat doors.

**LATCH BOLT:** Brass, stainless steel or plastic (for quiet option).

**THROW:** Standard  $\frac{1}{2}$ " throw. Projection can be increased up to  $\frac{1}{8}$ " in the field to help accommodate a larger gap.

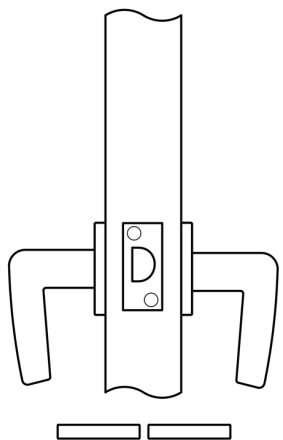
**STRIKE:** T-Strike.

**HUBS:** Field adjustable.  $3^\circ$  up or  $3^\circ$  down to compensate for lever pitch tilt.\*

**DUST BOX:** Brass, stainless steel or oil rubbed bronze

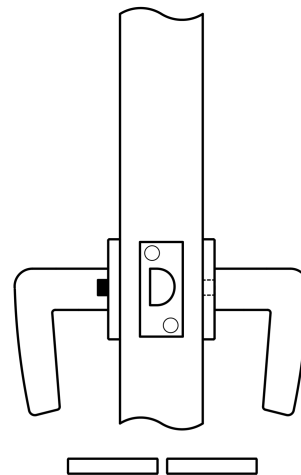
*\*Hub sizes available to fit most decorative hardware brands.*

# T2200 Tubular Latch Functions



## TL2225/TK2225 PASSAGE

Latch bolt by lever either side.

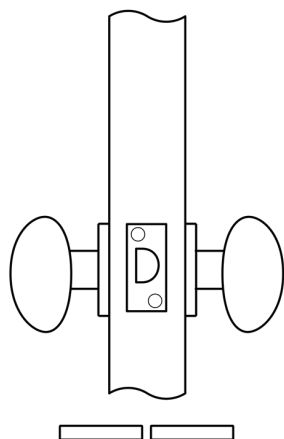


## TL2239 PRIVACY BEDROOM/BATHROOM

Latch bolt by lever either side except when outside lever is locked by inside push pin.

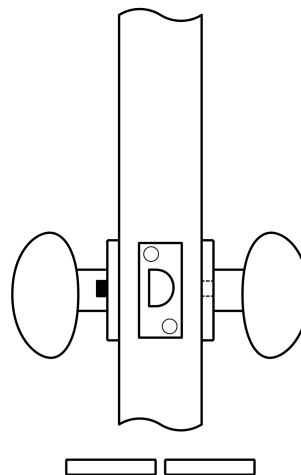
Operating inside lever or outside emergency release unlocks outside lever.

Closing door will retract latch and unlock outside lever.



## TK2225 PASSAGE

Latch bolt by knob either side.



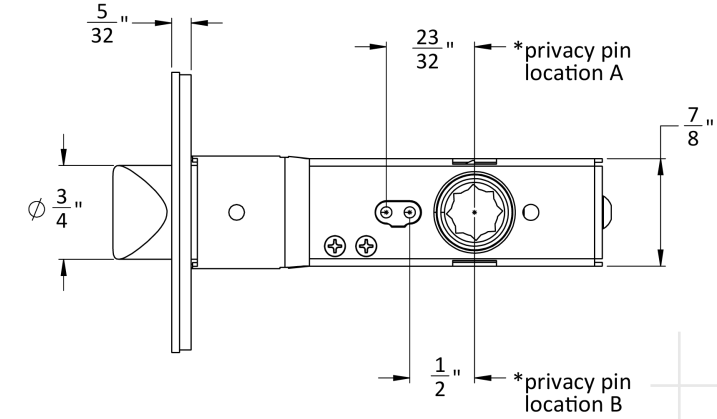
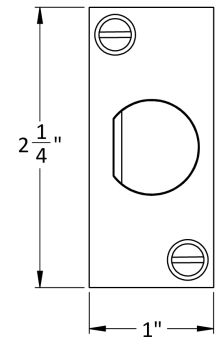
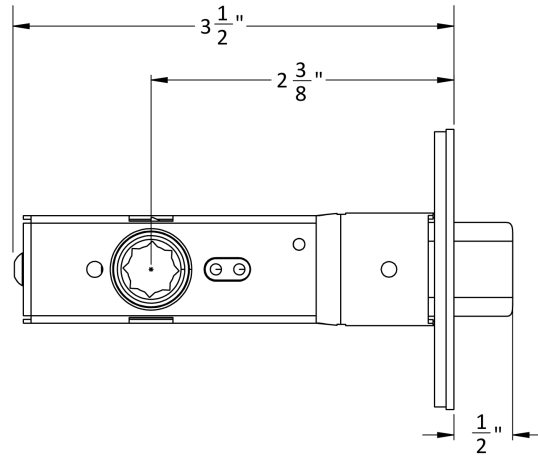
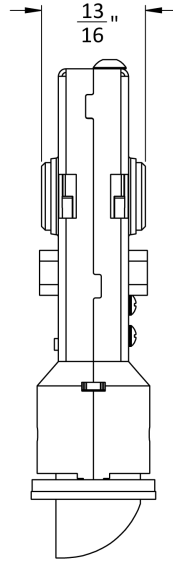
## TK2239 PRIVACY BEDROOM/BATHROOM

Latch bolt by knob either side except when outside knob is locked by inside push pin.

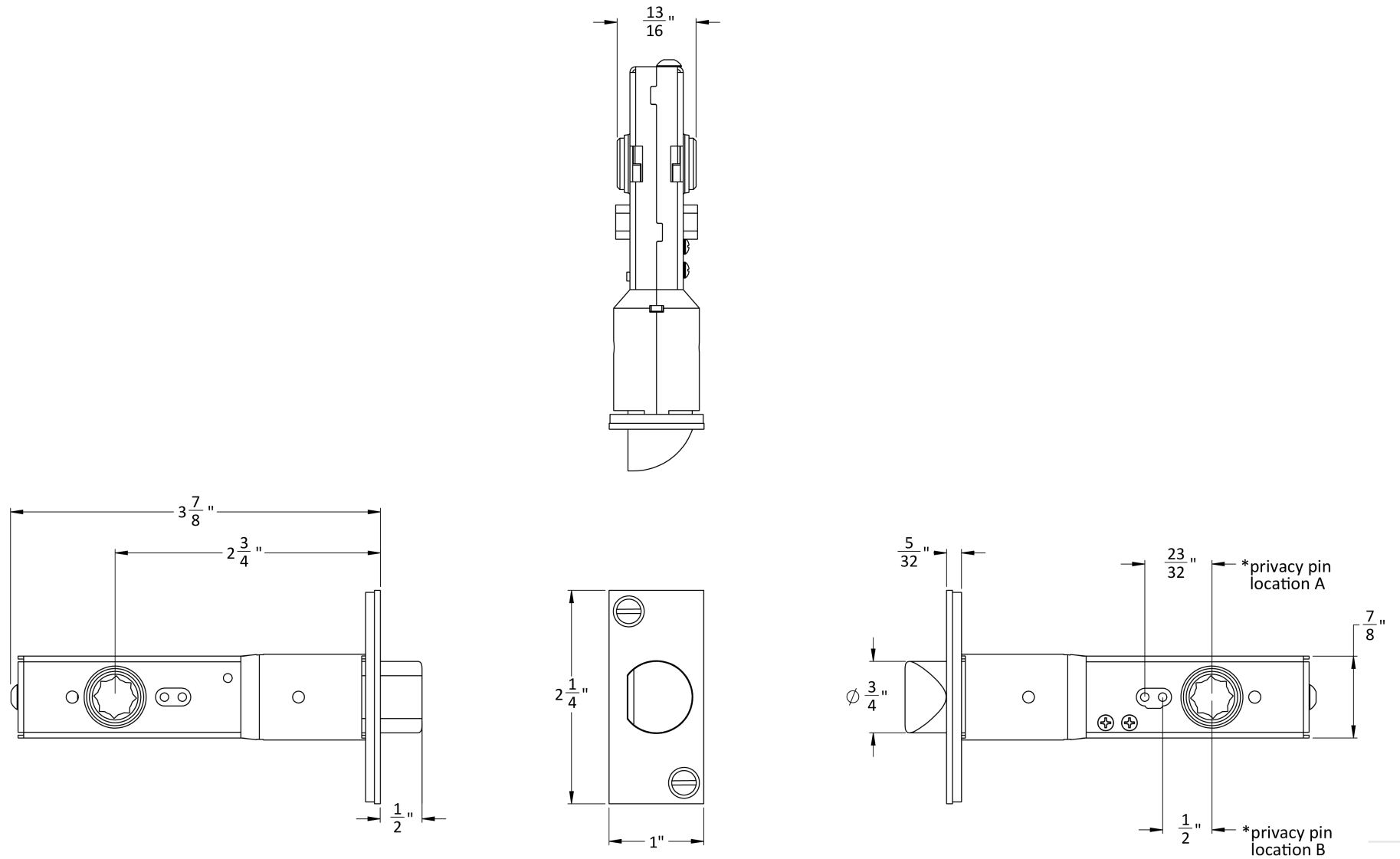
Operating inside knob or outside emergency release unlocks outside knob.

Closing door will retract latch and unlock outside knob.

# T2200 Tubular Latch Dimensions | 2-3/8" Backset

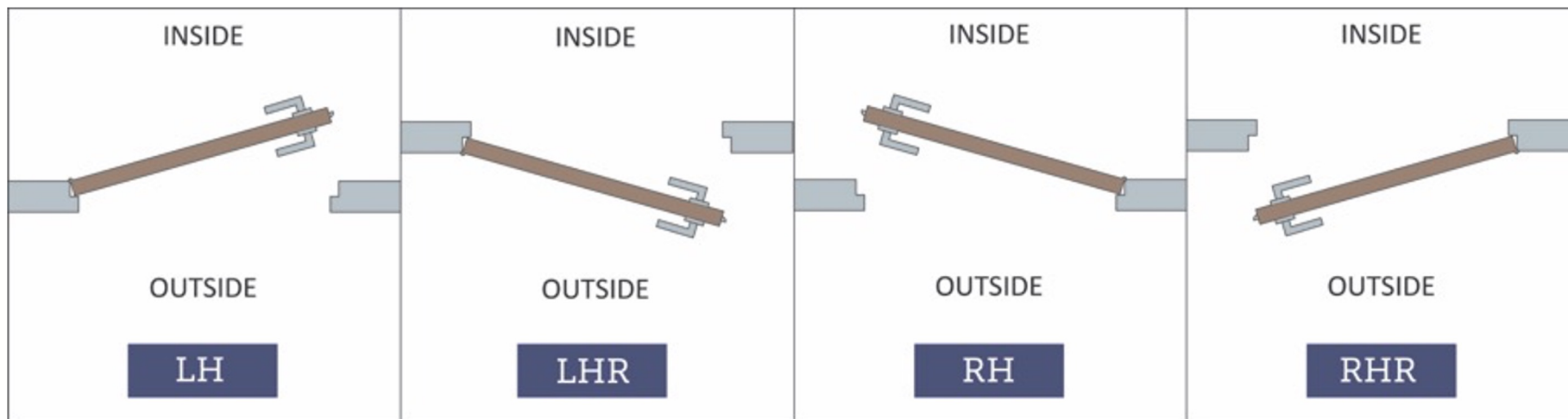


# T2200 Tubular Latch Dimensions | 2-3/4" Backset



# HOW TO SPECIFY

## HANDING



## FINISHES

**GROUP 1:** US4, US4NL, US32D\*, US26D

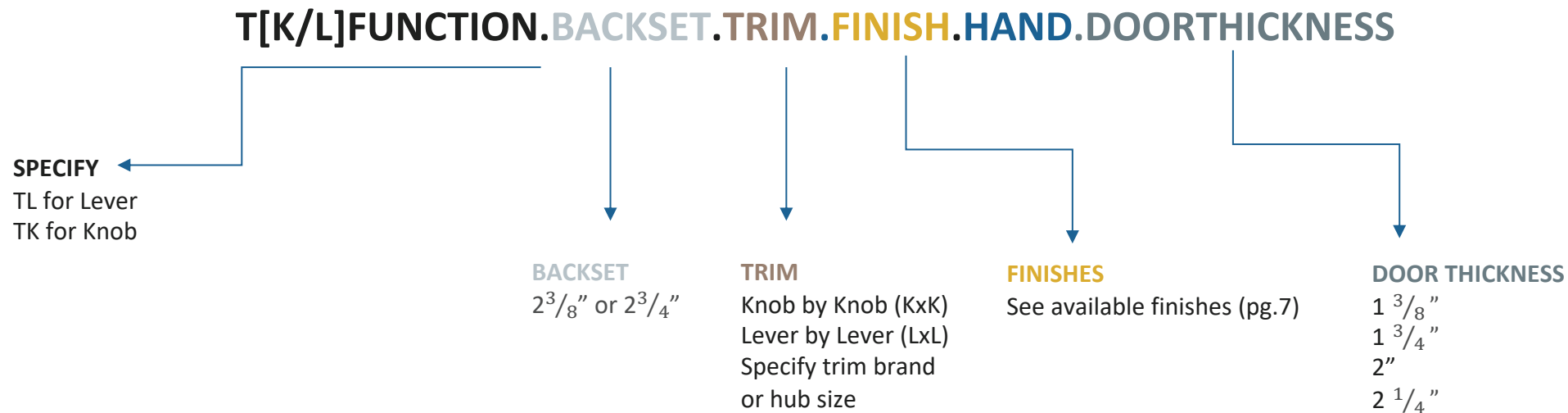
**GROUP 2:** US3, US3NL, US26, US32\*, US9\*, US10\*, US10B, US14, US15, US19

**GROUP 3:** BN, BB, TN, TB, DURO, ESN, US15A, US5

\* Trim options (including Accurate Levers) may not be available in US32D, US32, US9, or US10 finish. Please call for assistance.

To view example of finishes visit: [Accurate Finishes](#).

# HOW TO SPECIFY



## EXAMPLES

**Tubular Latch | Passage | Accurate Lever Trim**

E.g.: TL2225.238.T-19L/T-1R.US4.RH.134

**Tubular Latch | Passage | Other Manufacturers' Knob Trim**

E.g.: TK2225.234.KxK.8mm.US19.RH.134

**Tubular Latch | Privacy | Accurate Lever Trim**

E.g.: TL2239.238.T-21L/T-2R.US10B.LH.138

**Tubular Latch | Privacy | Other Manufacturers' Knob Trim**

E.g.: TK2239.238.KxK.8mm.US3NL.LH.214

## NOTES

- For other manufacturers' trim, specify push pin position for privacy functions, call for compatibility.
- Accurate trim available for use with tubular lock, specify T-XXL, or T-XR (e.g. T-19L, T-1R)



**ACCURATE LOCK & HARDWARE  
MANUFACTURERS OF LOCKS AND  
CUSTOM ARCHITECTURAL HARDWARE**

1 Annie Place | Stamford, CT 06902

**P:** 203.348.8865

**F:** 203.348.5234

**E:** sales@accuratelockandhardware.com

**www.accuratelockandhardware.com**



**AMERICAN CRAFTSMAN**  
— SINCE 1972 —