



ACCURATE
LOCK & HARDWARE
AMERICAN CRAFTED SINCE 1972

7800 SERIES DEADLATCHES

7800 SERIES DEADLATCHES TECHNICAL DETAILS

- With optional Hold Open Features
- For use in schools, public restrooms, teller gates, vestibules, closets, storage rooms
- For use with electric strikes
- Also offered for marine use

LATCH BOLT HELD RETRACTED BY STOP IN FRONT

7802 By key outside, handle inside

7802 ¼ By key either side

CYLINDER HOLD BACK OF LATCH BOLT AVAILABLE

7804 By key outside, handle inside. No hold back feature.

7804 ¼ By key either side. No hold back feature.

H7804 By key outside, handle inside. Latch bolt held retracted by depressing, then turning outside key.

H7804 ¼ By key either side. Latch bolt held retracted by depressing, then turning inside key.

H7805 ¼ By key either side, handle inside. Latch bolt held retracted by depressing, then turning inside key.

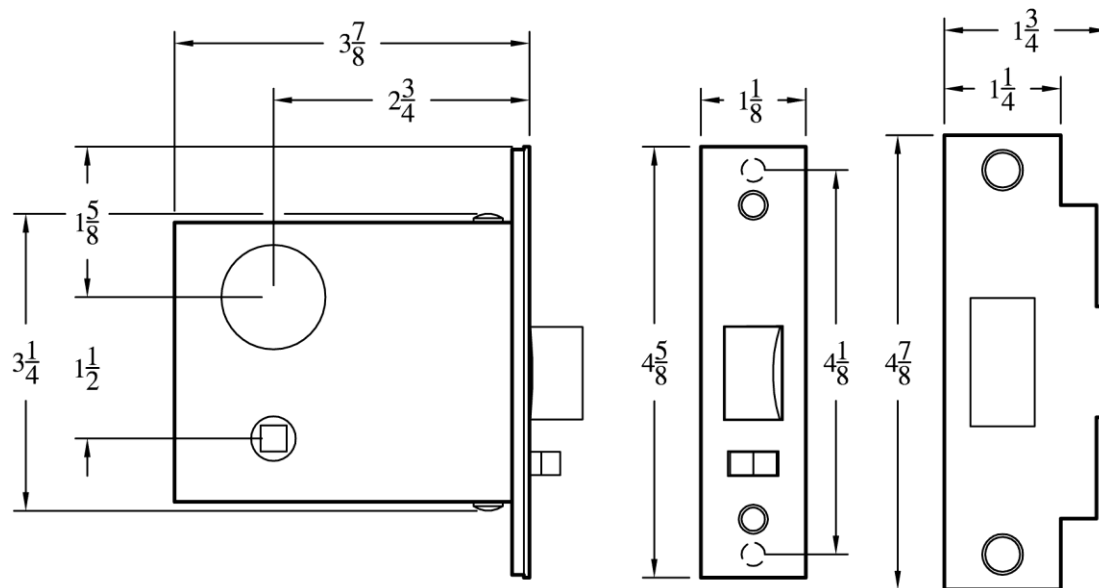
**Numbers are for specification and door preparation purposes – Inside and Outside trim must be specified separately*

CASE: Heavy gauge steel (15/16" thick)

ARMOR FRONT: Adjustable bevel. Brass, bronze, or stainless steel

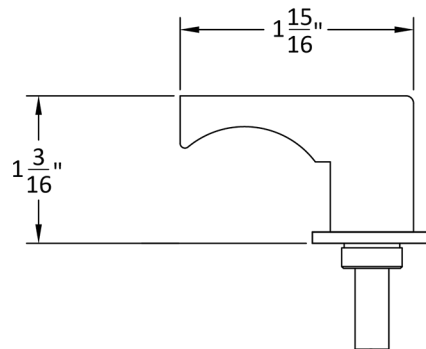
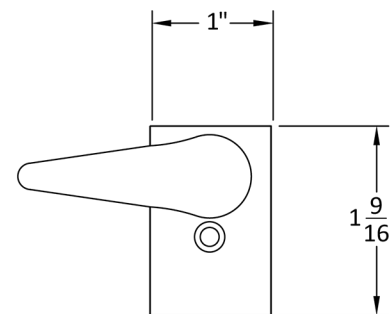
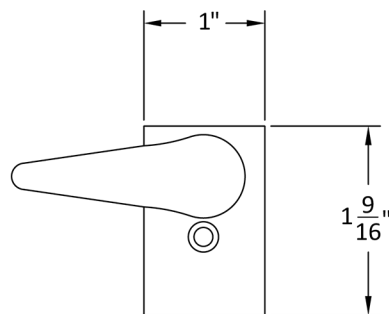
LATCH BOLT: Bronze – 5/8" x 1" x ½" throw

FOR MARINE USE: For locks completely made of stainless steel and other non-ferrous materials, prefix part number with SS (e.g. SS H7804)

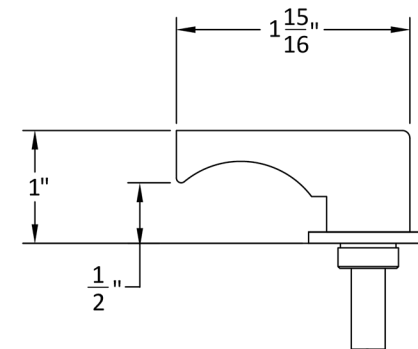


7800 HANDLE

- 7800 Handle available and furnished at extra cost – please specify
- A modified version of the 7800 handle is offered to meet California code (P/N 7800CA)



STANDARD



CA COMPLIANT

**ACCURATE LOCK & HARDWARE
MANUFACTURERS OF CUSTOM LOCKS
AND ARCHITECTURAL HARDWARE**

1 Annie Place | Stamford, CT 06902

P: 203.348.8865

F: 203.348.5234

E: sales@accuratelockandhardware.com

www.accuratelockandhardware.com



**AMERICAN CRAFTED
— SINCE 1972 —**