



ACCURATE LOCK & HARDWARE

AMERICAN CRAFTED SINCE 1972

8700ARL | 8800ARL

ADJUSTABLE ROLLER LATCH NARROW BACKSET MORTISE LOCK



8800ARL ADJUSTABLE ROLLER LATCH NARROW BACKSET MORTISE LOCK

Narrow Backset Roller Latch Mortise Locks are now available with an adjustment to address both tension and latch projection. Designed for doors that do not have any active levers, knobs or thumb latches, the Adjustable Roller Latch can be adjusted in the door for wind, weather and climate changes while maintaining security.

8700ARL | 8800ARL

FIELD ADJUSTABILITY

- Adjust latch projection and spring tension onsite to provide greater holding capacity and security

CLIMATE PROTECTION

- Adapt to different weather conditions that can cause pressure on the opening including wind, change in temperatures, etc. by adjusting latch accordingly

TRIM OPTIONS

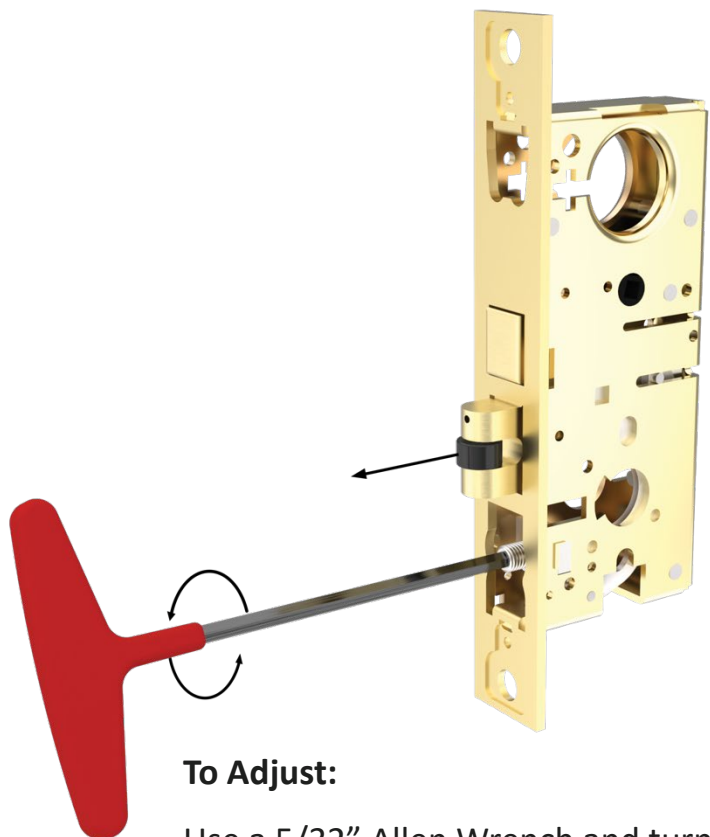
- Pair with push plates, flush pulls, rigid 7200P back-to-back pulls, or custom architectural pulls in a variety of finishes or custom sizes.



NEW
ADJUSTABLE ROLLER LATCH

Adjustable Latch Projection + Tension

LATCH PROJECTION

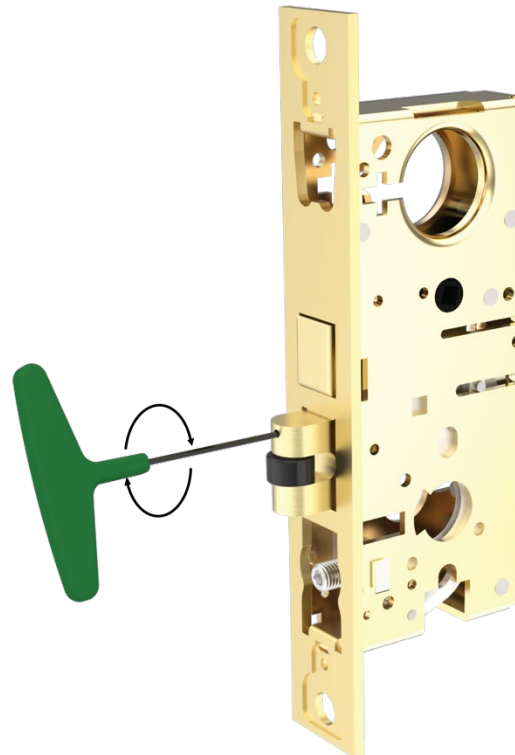


To Adjust:

Use a 5/32" Allen Wrench and turn clockwise to retract the latch bolt (adjustment is from approximately 1/2" to 3/8" projection).

To reverse, turn counterclockwise.

SPRING TENSION



To Adjust:

Use a 5/64" Allen Wrench and turn clockwise to adjust the spring tension of the lock (adjustment is from 12 to 45 pounds).

To reverse, turn counterclockwise.

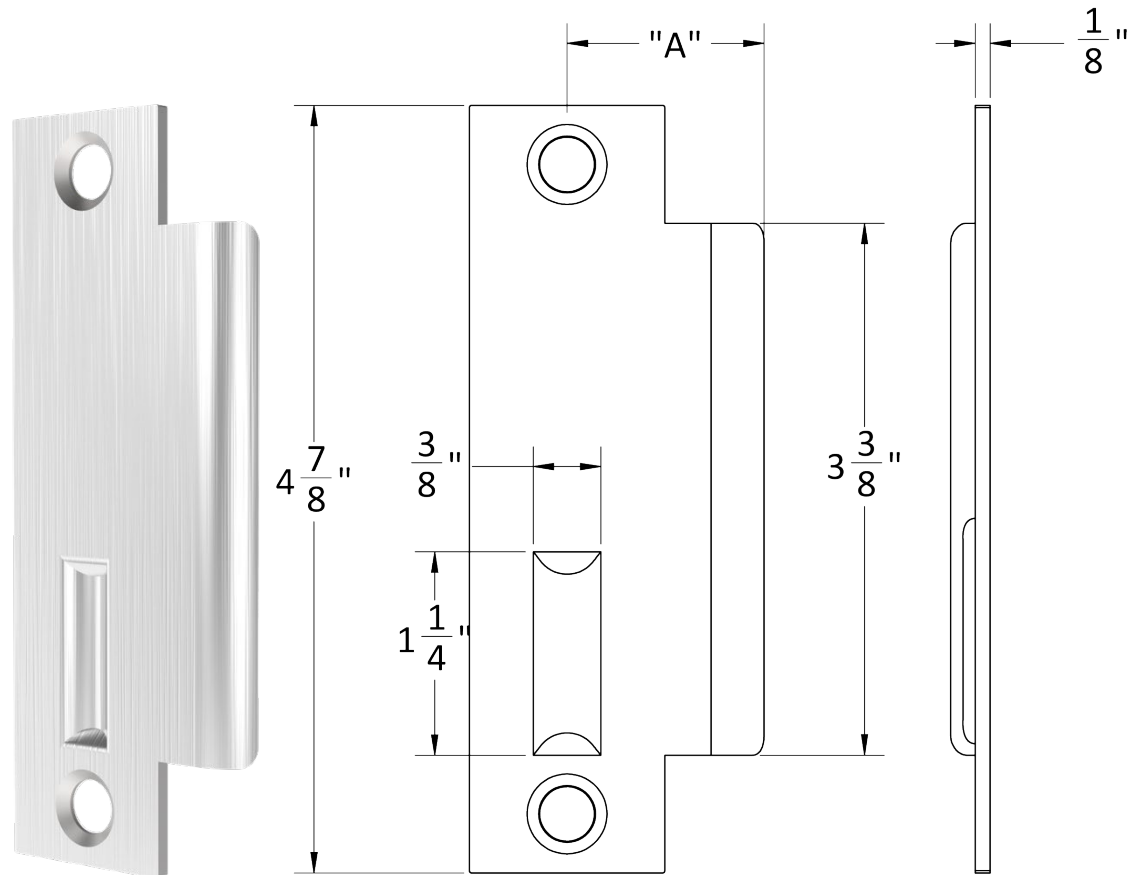


Roller Latch Strikes

Designed with strike detent to accommodate roller latch. Furnished Standard.

PASSAGE ROLLER LATCH STRIKE

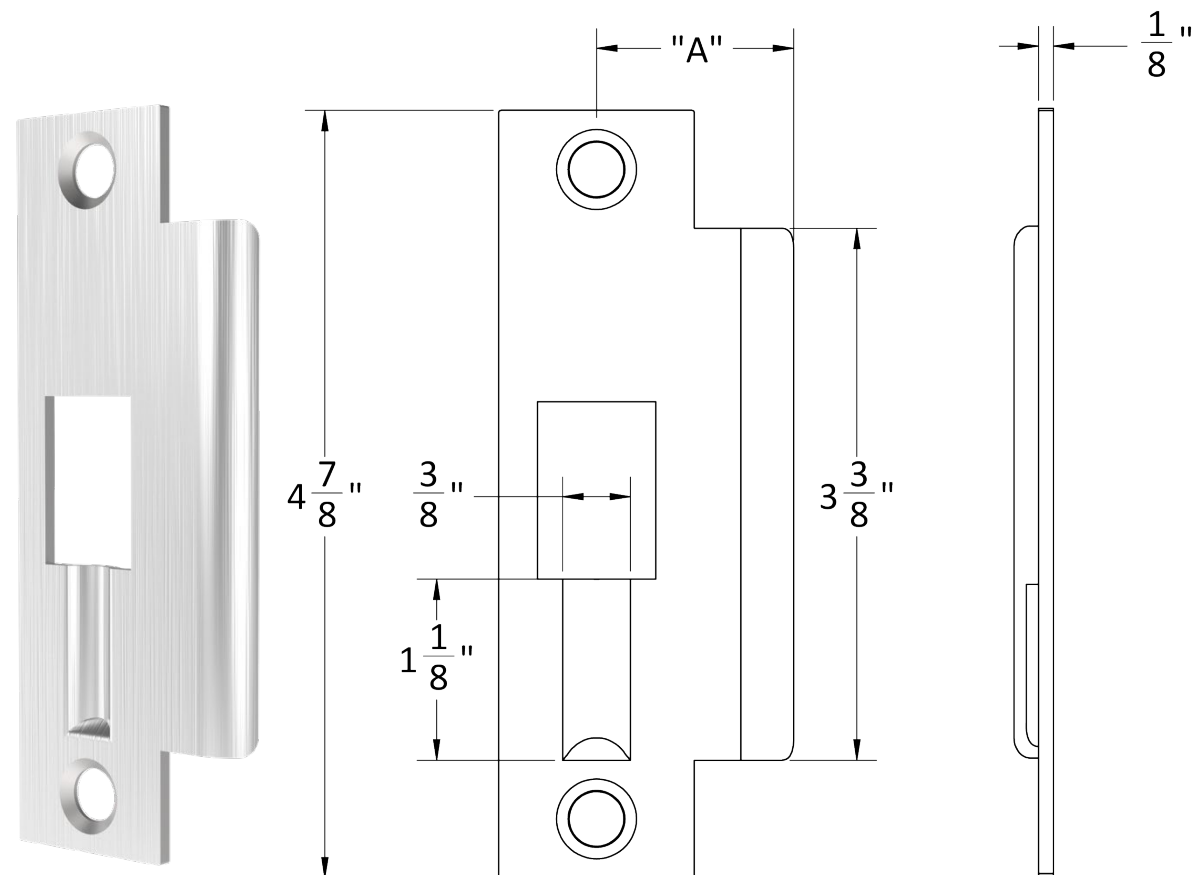
For 8825ARL Function



"A" $1 \frac{1}{4}$ " for $1 \frac{3}{4}$ " thick doors
 $1 \frac{1}{2}$ " for $2 \frac{1}{4}$ " thick doors

DEADBOLT ROLLER LATCH STRIKE

For 8822ARL, 8824ARL, 8839ARL Functions



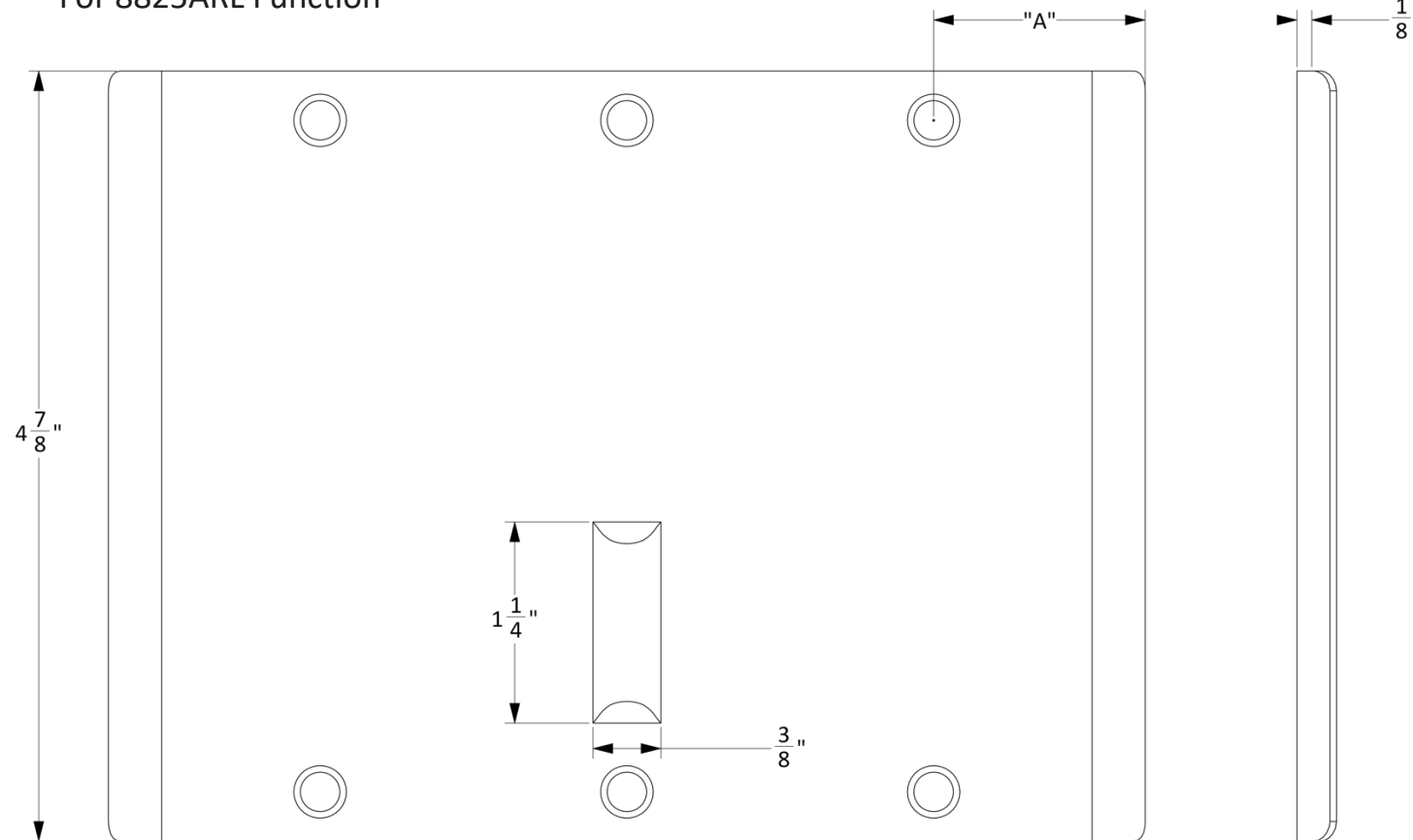
"A" $1 \frac{1}{4}$ " for $1 \frac{3}{4}$ " thick doors
 $1 \frac{1}{2}$ " for $2 \frac{1}{4}$ " thick doors

Double Lipped Roller Latch Strikes

Designed with strike detent to accommodate roller latch. Specify separately.

8800ARL.DLS | PASSAGE

For 8825ARL Function



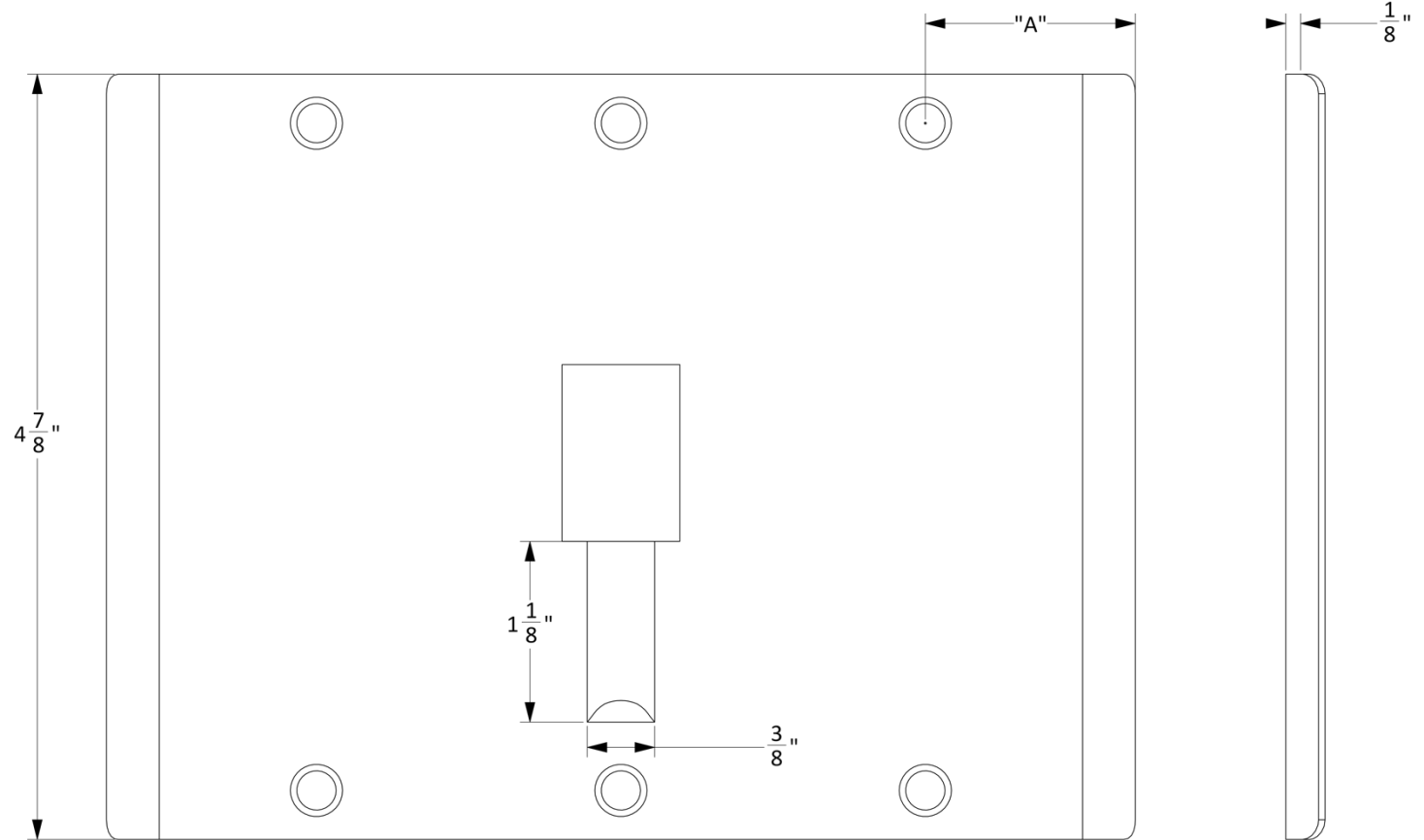
"A" Varies based on door frame size.

Double Lipped Roller Latch Strikes

Designed with strike detent to accommodate roller latch. Specify separately.

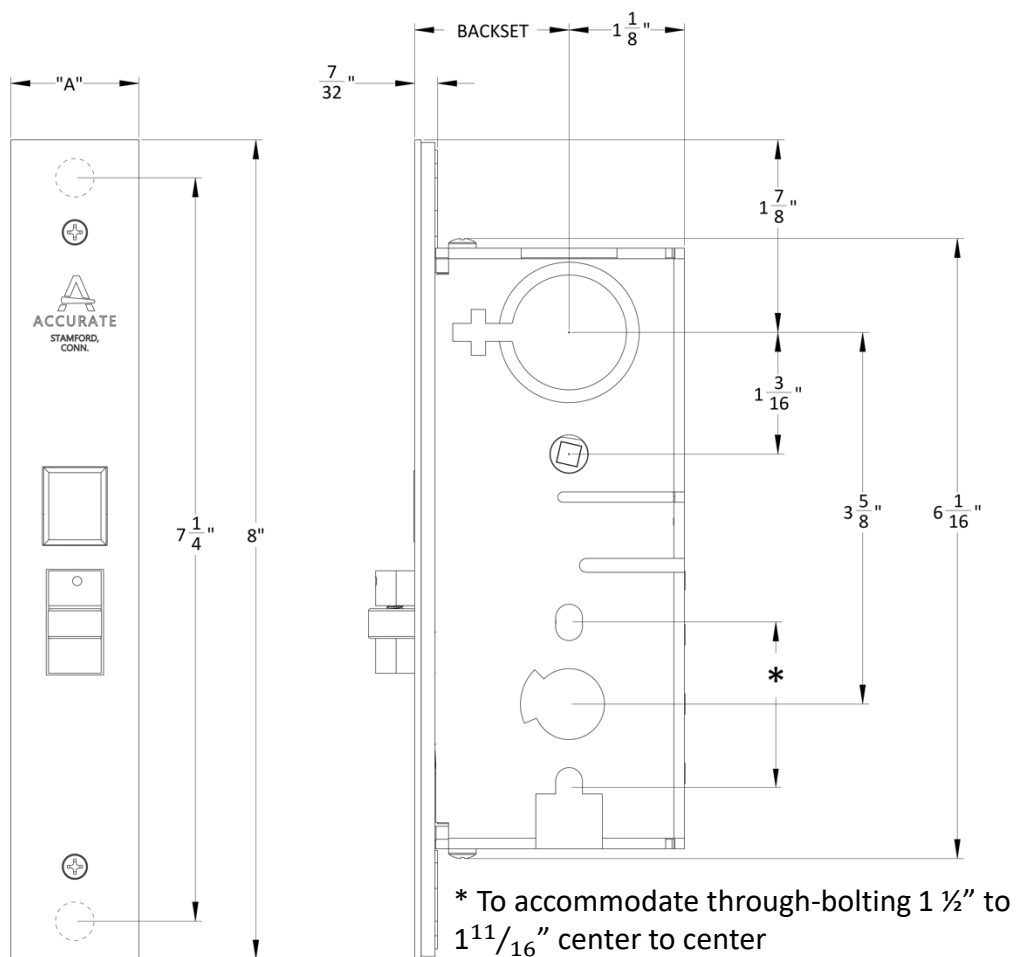
8800ARL.DLS | DEADBOLT

For 8822ARL, 8824ARL, 8839ARL Functions



"A" Varies based on door frame size.

8700ARL | 8800ARL: Technical Details



A:

$1\frac{1}{4}$ " (8800ARL locks, for $1\frac{3}{4}$ " thick doors)

1" (8700ARL locks, for $1\frac{3}{8}$ " thick doors)

BACKSET: $1\frac{1}{2}$ ", $1\frac{3}{4}$ ", 2", $2\frac{1}{4}$ "

CASE: Heavy gauge, plated steel ($\frac{15}{16}$ " thick)

ARMOR FRONT: Adjustable bevel brass, bronze, or stainless steel, finished as required.

LATCH BOLT: Brass/Delrin $\frac{1}{2}$ " throw

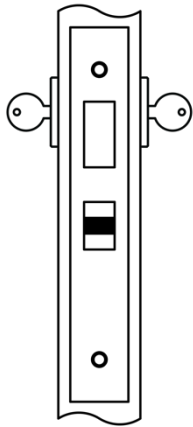
DEADBOLT: Brass, 1" throw. (Other throw sizes available as a custom order. Please call for assistance.)

STRIKE: $4\frac{7}{8}$ " ASA

HUBS: No hubs standard. If rigid hubs are required, please specify -F suffix for rigid handles, indicate spindle size or trim manufacturer.

DUST BOX: Brass, stainless steel or oil rubbed bronze

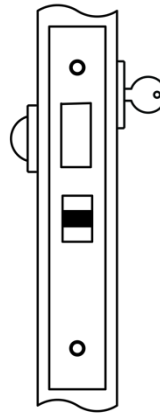
8700ARL | 8800ARL Functions



8722ARL | 8822ARL DOUBLE CYLINDER ROLLER LATCH

For push/pull entry applications.

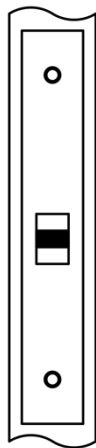
Deadbolt by key outside and inside.



8724ARL | 8824ARL ROLLER LATCH LOCK

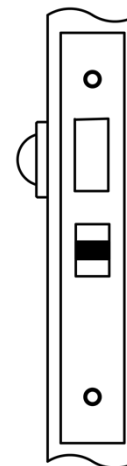
For push/pull entry applications.

Deadbolt by key outside and thumb turn inside.



8725ARL | 8825ARL PASSAGE OR CLOSET ROLLER LATCH

For push/pull passage applications.



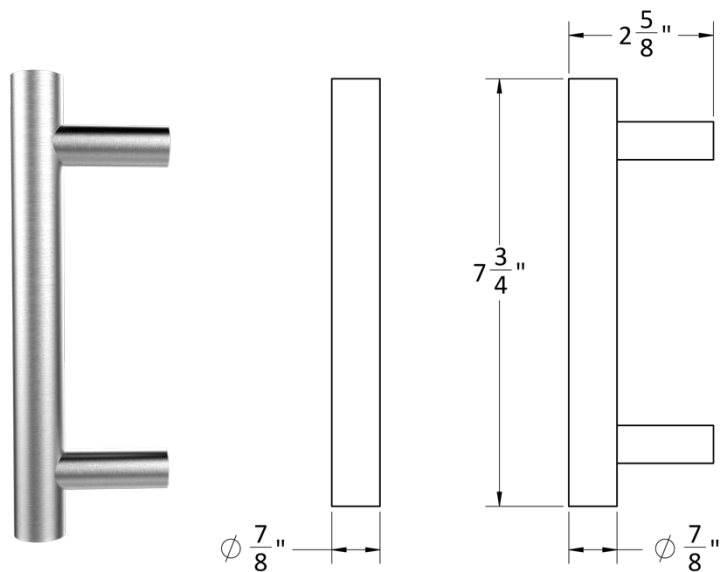
8739ARL | 8839ARL PRIVACY ROLLER LATCH

For push/pull privacy applications.

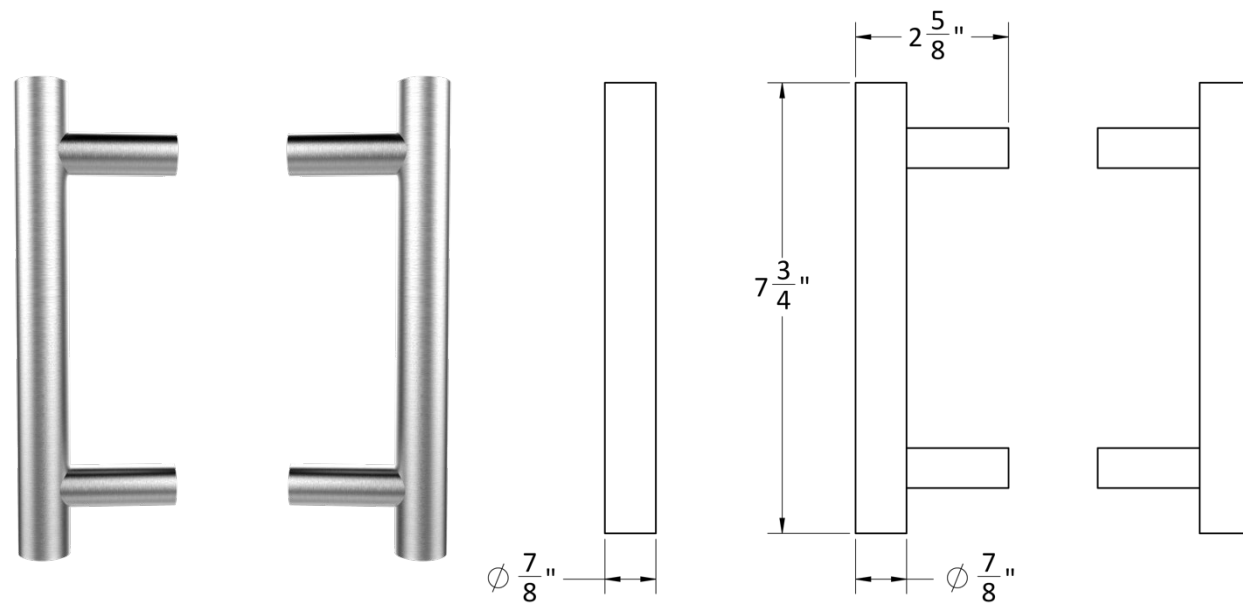
Deadbolt by thumb turn inside and optional emergency key outside.

Accurate Trim

**7200P-S
SINGLE RIGID PULL**

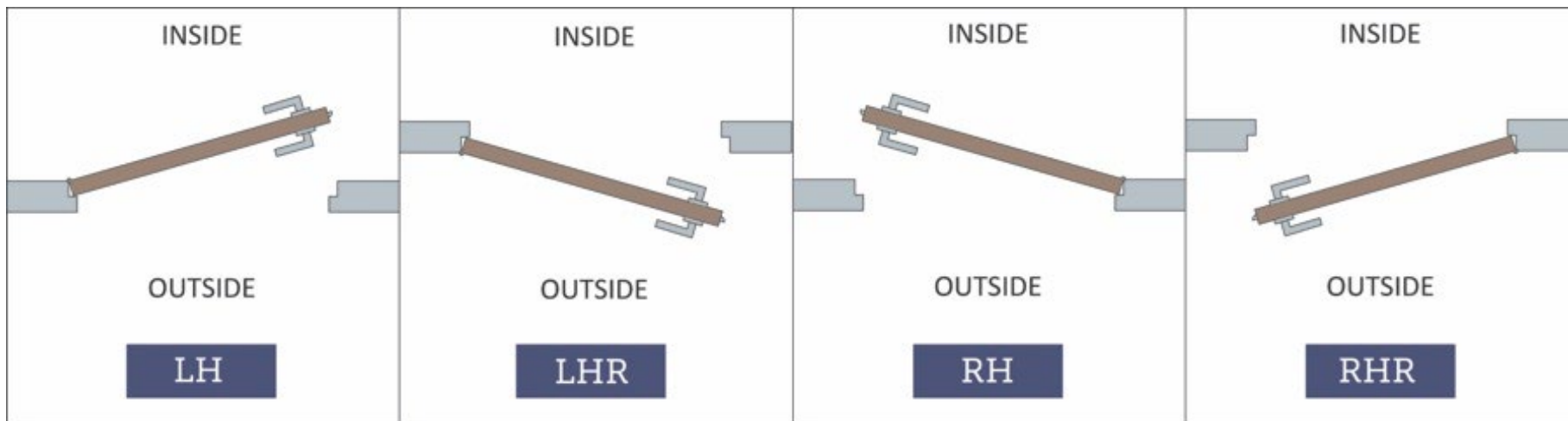


**7200P
DOUBLE SIDED PULL**



HOW TO SPECIFY

HANDING



FINISHES

GROUP 1: US4, US4NL, US32D*, US26D

GROUP 2: US3, US3NL, US26, US32*, US9*, US10*, US10B, US14, US15, US19

GROUP 3: BN, BB, TN, TB, DURO, ESN, US15A, US5

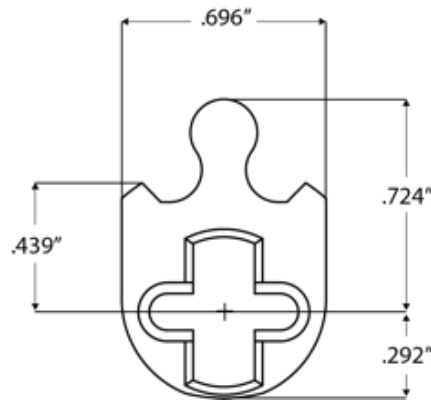
Applicable finishes come standard with [Cerakote Premium Protective Coating](#). Available in gloss or matte.

** Trim options (including Accurate Levers) may not be available in US32D, US32, US9, or US10 finish. Please call for assistance.*

To view example of finishes visit: [Accurate Finishes](#).

CYLINDERS & KEYING

8800ARL Series locks accept any standard American mortise cylinder. For details on required cams and compatibility with other manufacturers' cylinders, please visit: [Accurate Support](#).





HOW TO SPECIFY

FUNCTION.BACKSET.TRIM.FINISH.HAND.DOOR THICKNESS.STRIKE

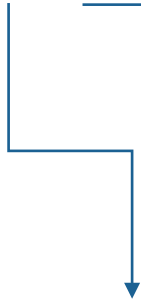
FUNCTIONS
See available functions (pg. 9)



BACKSET
1 1/2", 1 3/4", 2", 2 1/4"



TRIM
Accurate Rigid Pulls (pg. 10)
If rigid hubs are required, please specify -F suffix for rigid handles, indicate spindle size or trim manufacturer



FINISHES
See available finishes (pg.9)



STRIKE OPTIONS
See available strike options (pg. 5-7)
Roller Latch Strike furnished standard.
Specify 8800ARL.DPS for Double Lipped Strike Option.



EXAMPLES

Adjustable Roller Latch | Narrow Backset | Double Cylinder | Accurate Trim
E.g.: 8822ARL.2.7200P.US26D.RH.134

Adjustable Roller Latch | Narrow Backset | Passage | Other Manufacturers' Trim
Double Lipped Strike
E.g.: 8825ARL-F.214.8mm.US3.LH.134.8800ARL.DLS

Adjustable Roller Latch | Narrow Backset | Privacy | Accurate Trim
E.g.: 8839ARL.112.7200P.US10B.RH.134

Adjustable Roller Latch | Narrow Backset | Privacy | Accurate Lever Trim
E.g.: 8739ARL-F.134.21L/1R.US19.RH.134

NOTES

FURNISHED STANDARD WITH ADJUSTABLE LATCH BOLT
For compatibility, please call for assistance.

**ACCURATE LOCK & HARDWARE
MANUFACTURERS OF LOCKS AND
CUSTOM ARCHITECTURAL HARDWARE**

1 Annie Place | Stamford, CT 06902

P: 203.348.8865

F: 203.348.5234

E: sales@accuratelockandhardware.com

www.accuratelockandhardware.com



**AMERICAN CRAFTED
— SINCE 1972 —**