



ACCURATE
LOCK & HARDWARE
AMERICAN CRAFTED SINCE 1972

G17 + G017 Series

NARROW BACKSET GLASS PATCH MORTISE SETS



MODERN MINIMALISM

G17 + GO17 SERIES

Accurate's smallest glass patch makes a minimal statement that enhances the beauty of glass doors. Offered as a complete package including lock body, patch assembly and levers; as well as cylinder and thumb turn if required.

Available in a range of finishes and functions, the G17 Series allows for sleek and modern open-space design.

1759 FUNCTION GLASS PATCH WITH 18L LEVERS

G17 + GO17 Series

SMALL BODY GLASS PATCH LOCK

EUROPEAN-INSPIRED STYLE

- Maintain the sleek, modern aesthetic where glass doors are prominent

DESIGN VERSATILITY

- Compatible with various partition system configurations
- Fits $1/2$ " and $3/8$ " tempered glass standard, other door thicknesses available

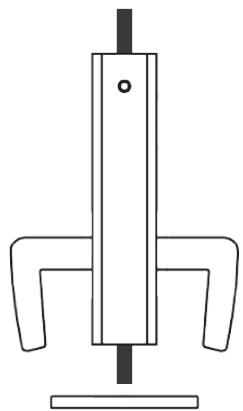
FUNCTIONALITY

- Available in a variety of functions
- Can be used with standard mortise cylinders
- Features latch holdback by cylinder
- Quick installation



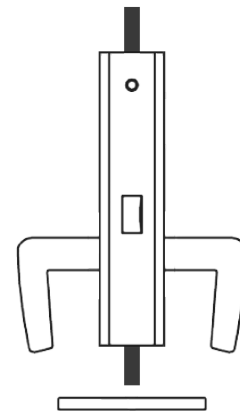
G1758 FUNCTION

G17 Series Functions



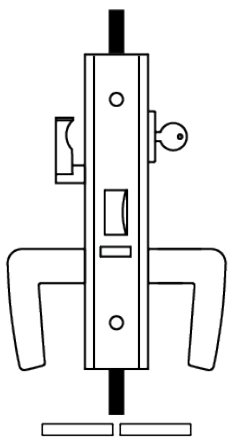
G1700ADL ACTIVE DUMMY LOCK

Active handles inside and outside.



G1725 PASSAGE

Latch bolt by lever either side.



G1753 ENTRANCE

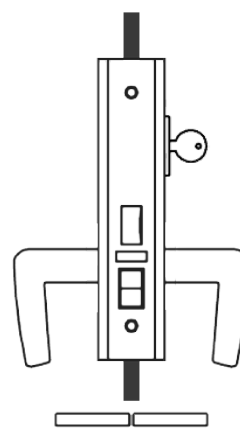
Latch bolt by key outside

Latch bolt by lever either side unless locked by thumb turn inside (both levers become rigid).

Auxiliary latch deadlocks latch bolt.

Latch can be held retracted by key.

No emergency egress.



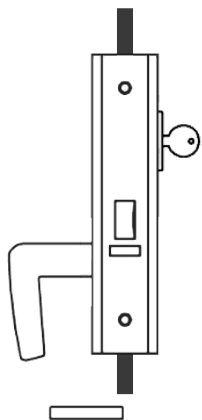
G1756 ENTRANCE OR OFFICE

Latch bolt by key outside and lever either side unless outside lever is locked by toggle-action stop.

Auxiliary latch deadlocks latch bolt.

Latch can be held retracted by key.

G17 Series Functions



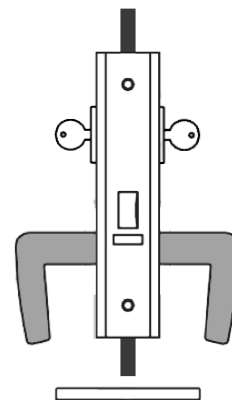
G1757 ENTRANCE OR OFFICE

Latch by lever inside and key outside.

No outside lever.

Auxiliary latch deadlocks latch bolt.

Latch can be held retracted by key.



G1758 INSTITUTION OR ASYLUM

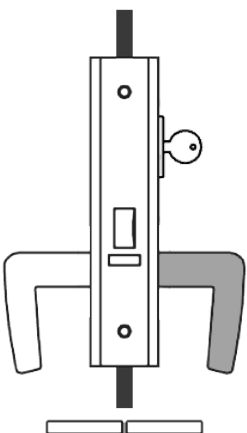
Latch by key either side.

Inside and outside levers always **rigid**.*

Auxiliary latch deadlocks latch bolt.

Latch can be held retracted by key.

** Verify code compliance before using this function*



G1759 STOREROOM OR CLOSET

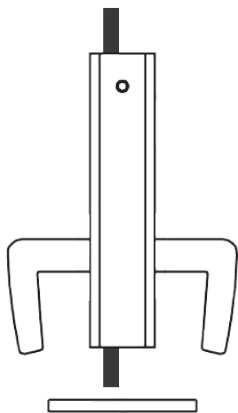
Latch by lever inside and key outside.

Outside lever always **rigid**.

Auxiliary latch deadlocks latch bolt.

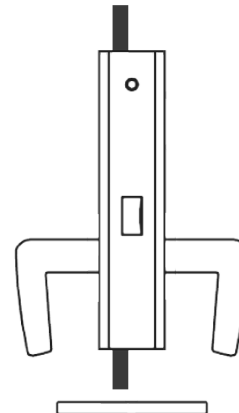
Latch can be held retracted by key.

G17 Series Functions



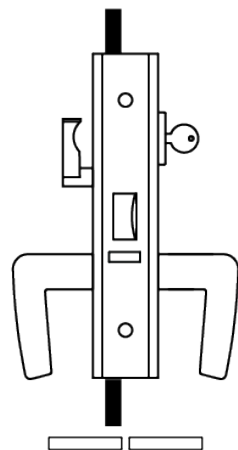
GO1700ADL ACTIVE DUMMY LOCK

Active handles inside and outside.



GO1725 PASSAGE

Latch bolt by lever either side.



GO1753 ENTRANCE

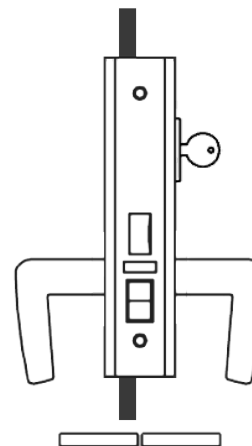
Latch bolt by key outside

Latch bolt by lever either side unless locked by thumb turn inside (both levers become rigid).

Auxiliary latch deadlocks latch bolt.

Latch can be held retracted by key.

No emergency egress.



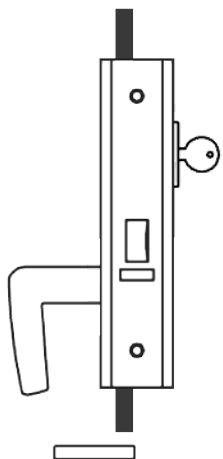
GO1756 ENTRANCE OR OFFICE

Latch bolt by key outside and lever either side unless outside lever is locked by toggle-action stop.

Auxiliary latch deadlocks latch bolt.

Latch can be held retracted by key.

GO17 Series Functions



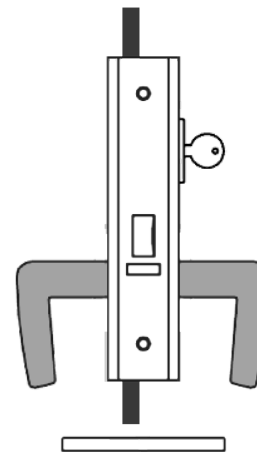
GO1757 ENTRANCE OR OFFICE

Latch by lever inside and key outside.

No outside lever.

Auxiliary latch deadlocks latch bolt.

Latch can be held retracted by key.



GO1758 INSTITUTION OR ASYLUM

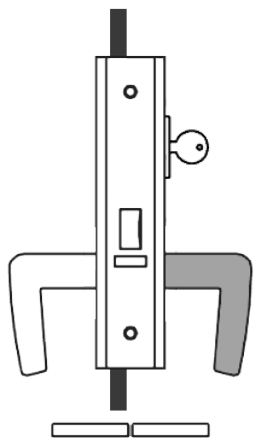
Latch by key either side.

Inside and outside levers always **rigid**.*

Auxiliary latch deadlocks latch bolt.

Latch can be held retracted by key.

** Verify code compliance before using this function*



GO1759 STOREROOM OR CLOSET

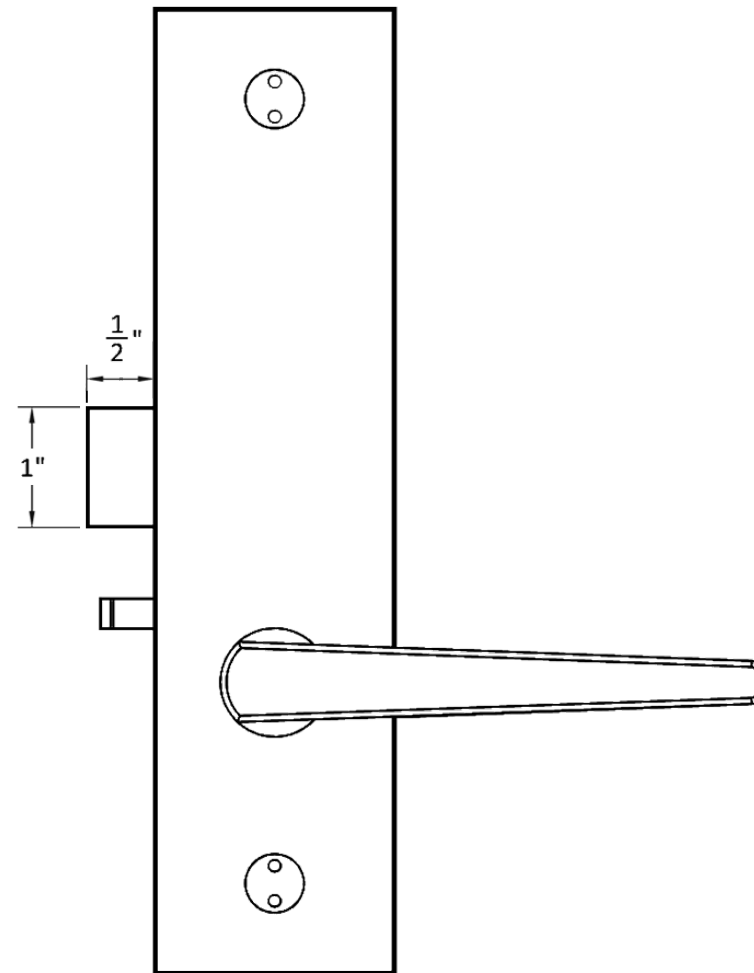
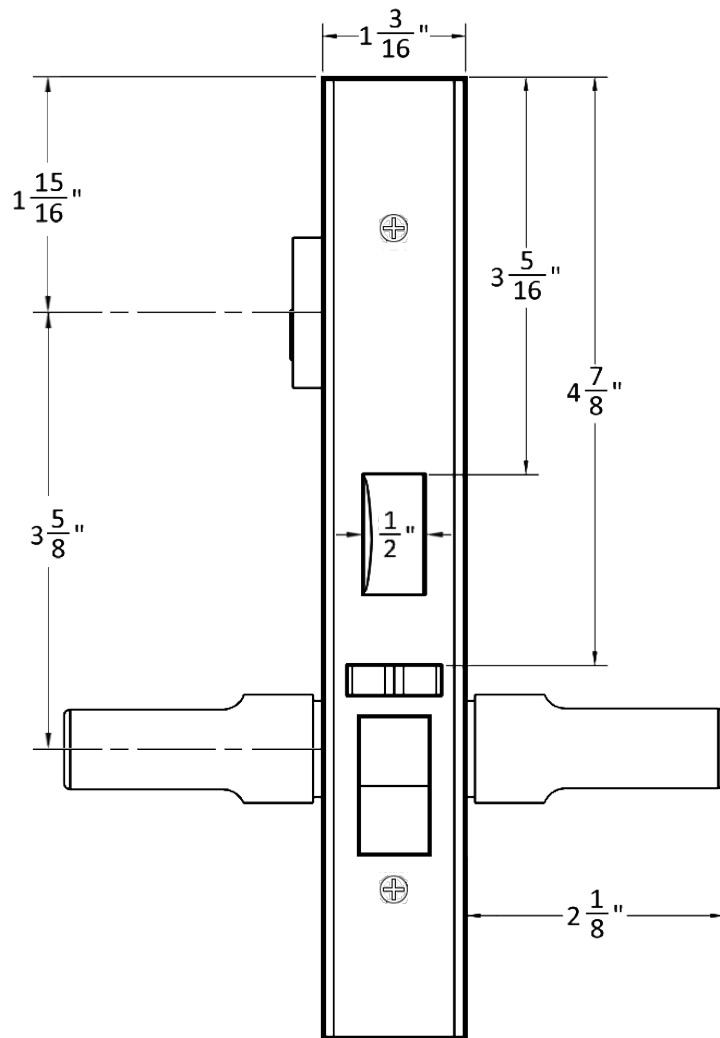
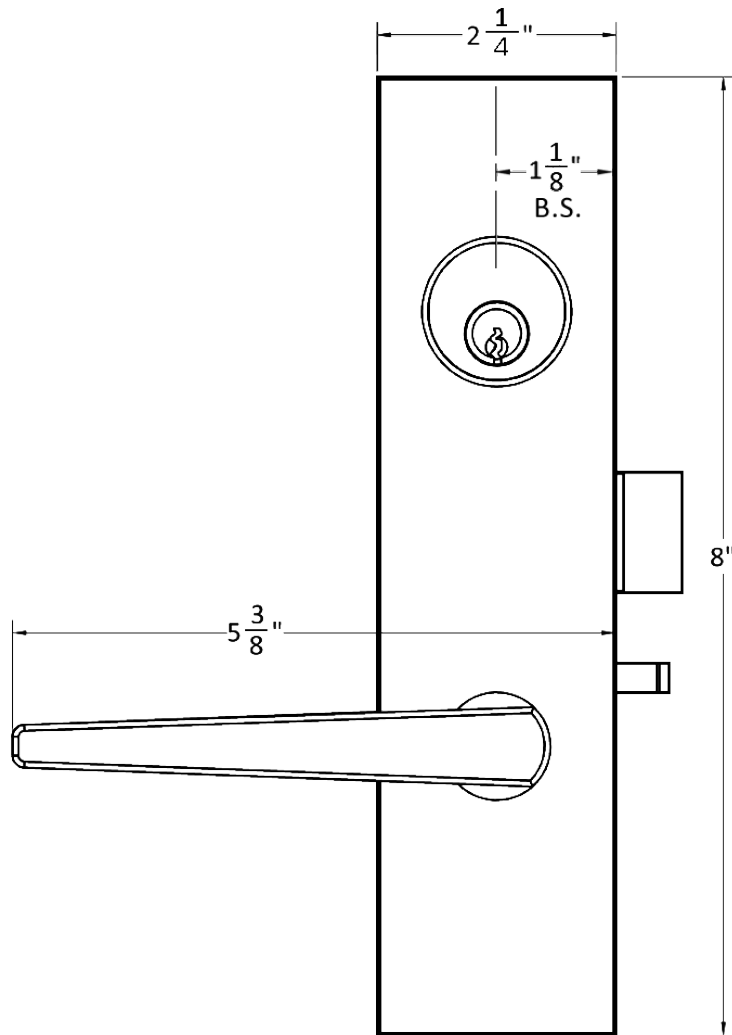
Latch by lever inside and key outside.

Outside lever always **rigid**.

Auxiliary latch deadlocks latch bolt.

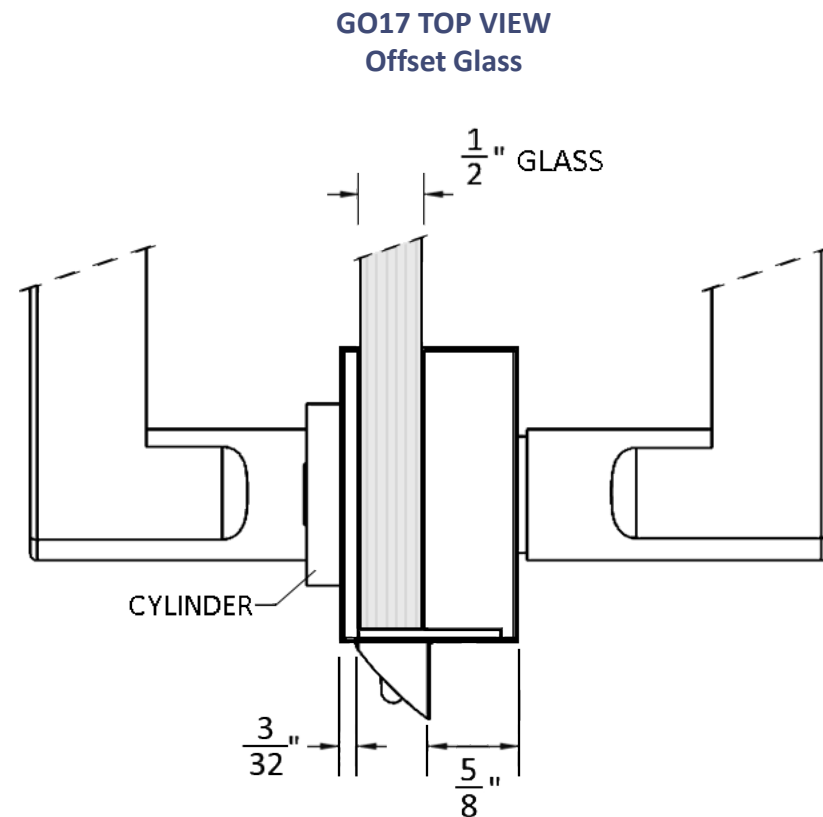
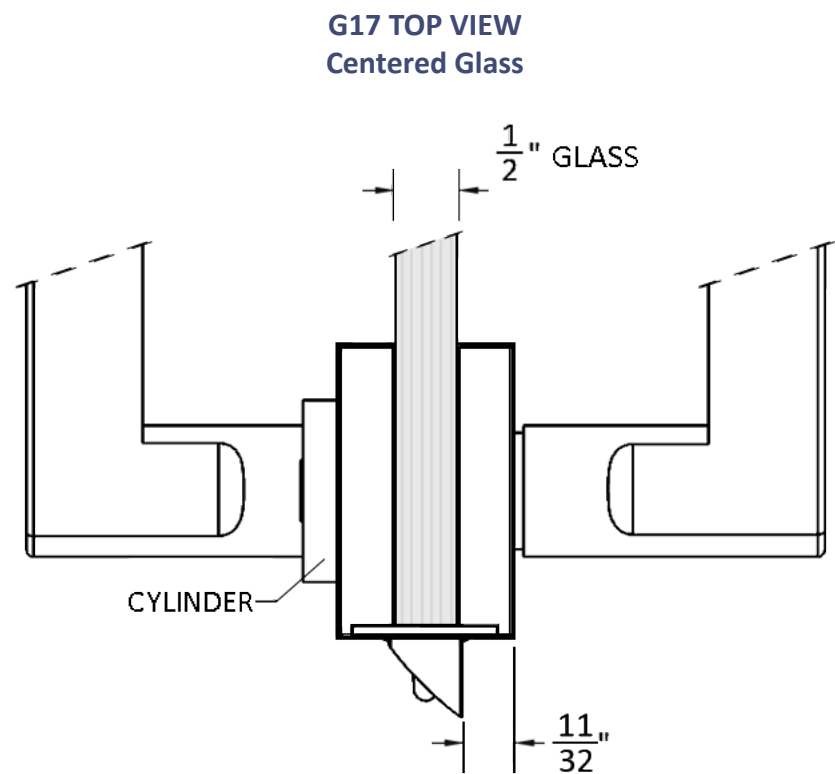
Latch can be held retracted by key.

G17 + GO17 Glass Patch Latch Bolt Dimensions



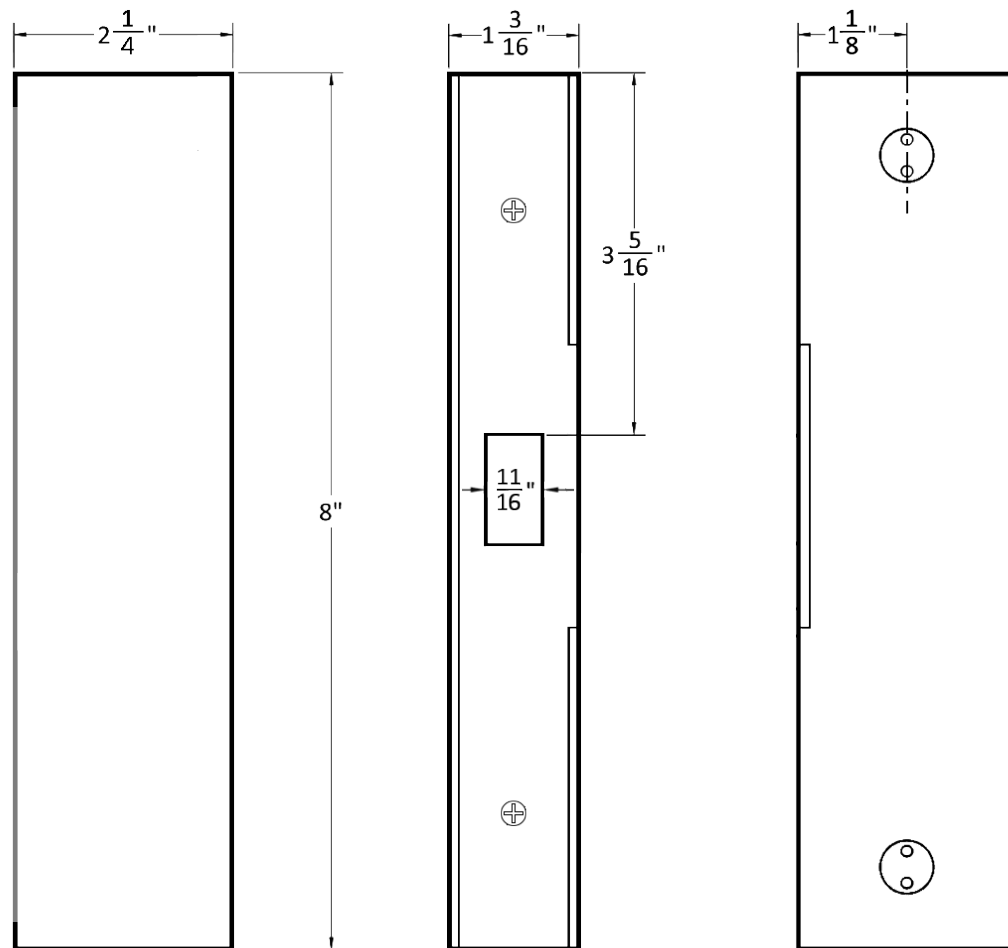
G1756 ENTRANCE FUNCTION WITH 18L LEVERS
(other levers available)

G17 + GO17 Glass Patch Latch Bolt Dimensions

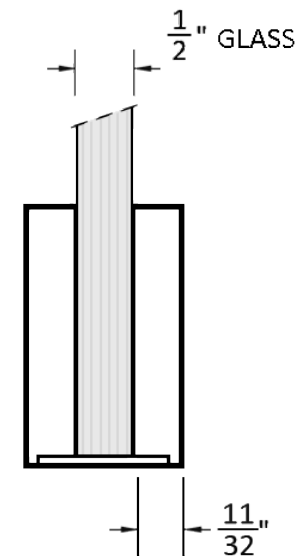


Shown on 1/2" thick glass.
Also available standard on 3/8" thick glass and
custom door thicknesses upon request.

G17-GPS Strike Dimensions



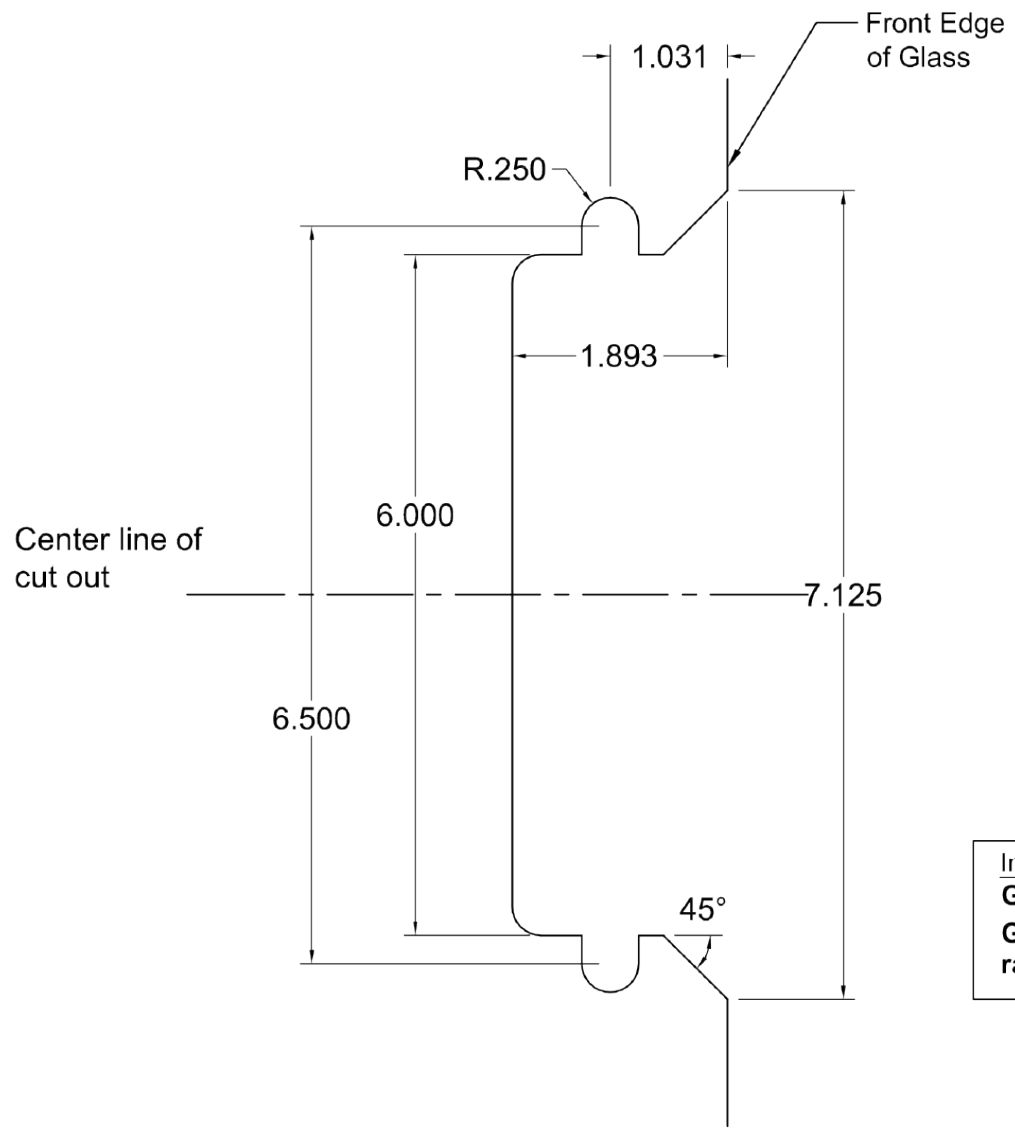
G17-GPS TOP VIEW



Specify for frameless and glass wall partition systems

Shown on 1/2" thick glass.
Also available standard on 3/8" thick glass and custom door thicknesses upon request.

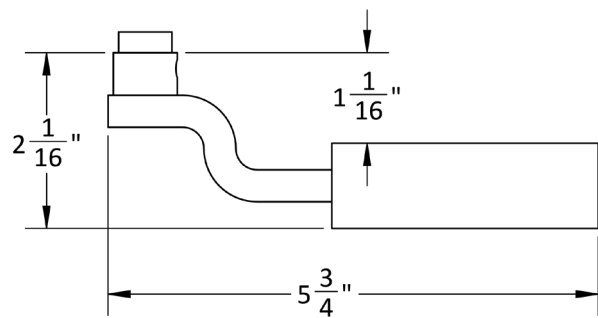
G17 Template



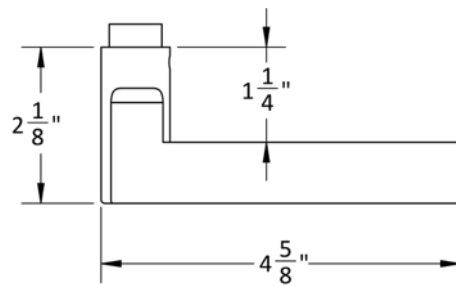
Important Note:
**Glass template for
 Glass 1/2" thick
 range: .469 to .531**

Accurate Lever Trim

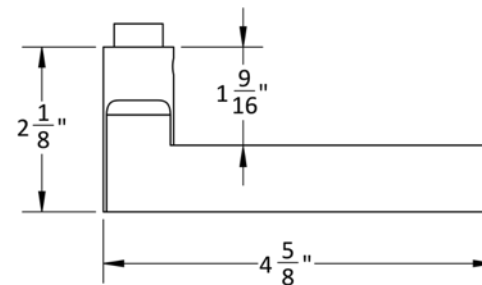
17L LEVER



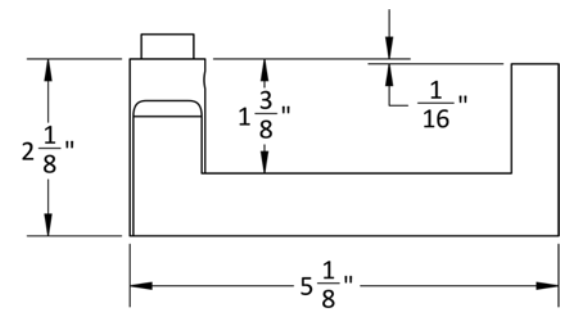
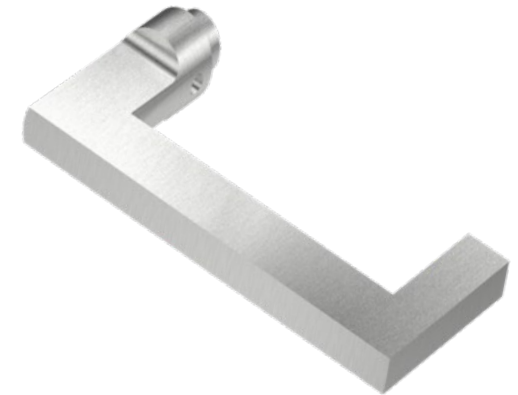
18L LEVER



19L LEVER

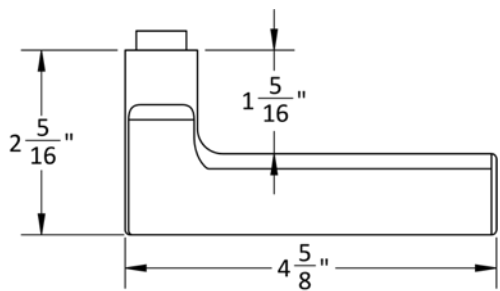


20L LEVER

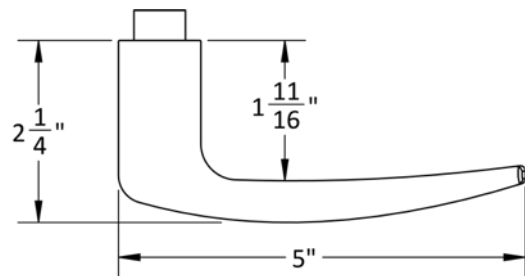


Accurate Lever Trim

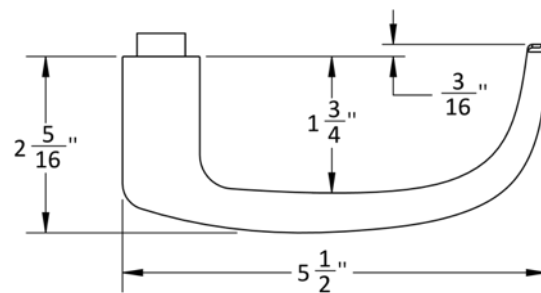
21L LEVER



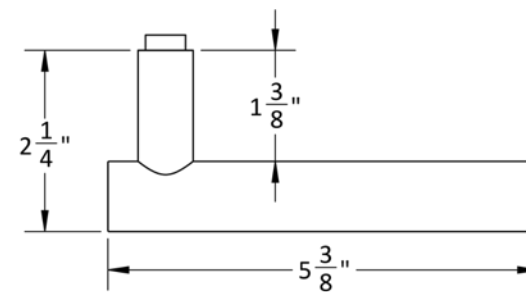
29L LEVER



39L LEVER

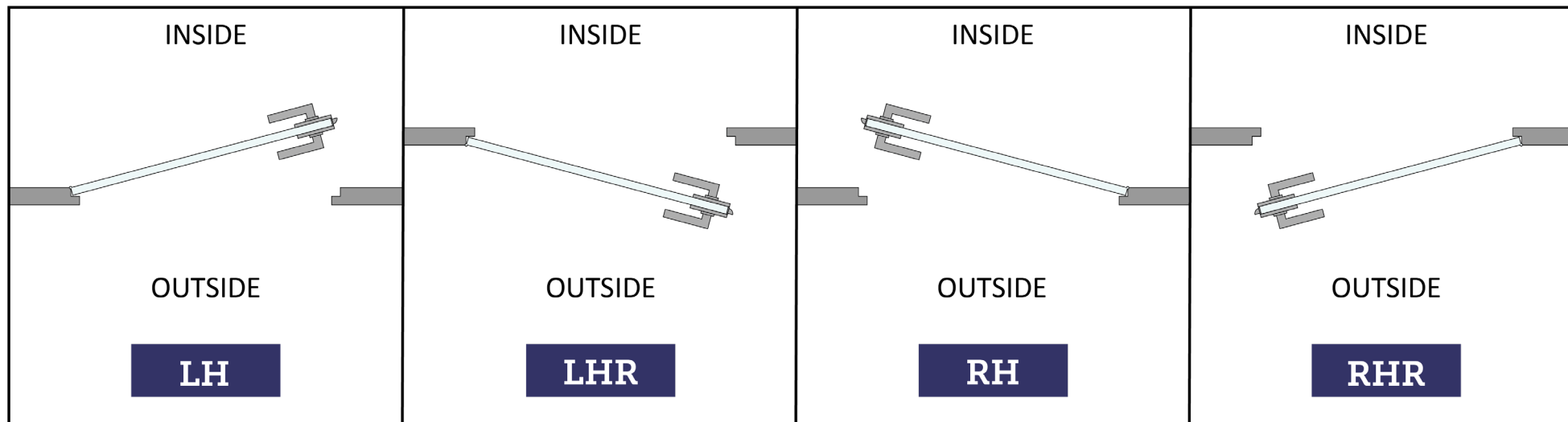


72L LEVER



HOW TO SPECIFY

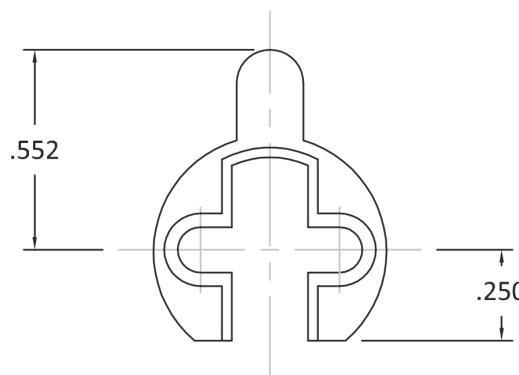
HANDING



FINISHES

US28, ESN, US19

Other finishes available, please [contact us](#) for assistance.



CYLINDERS & KEYING

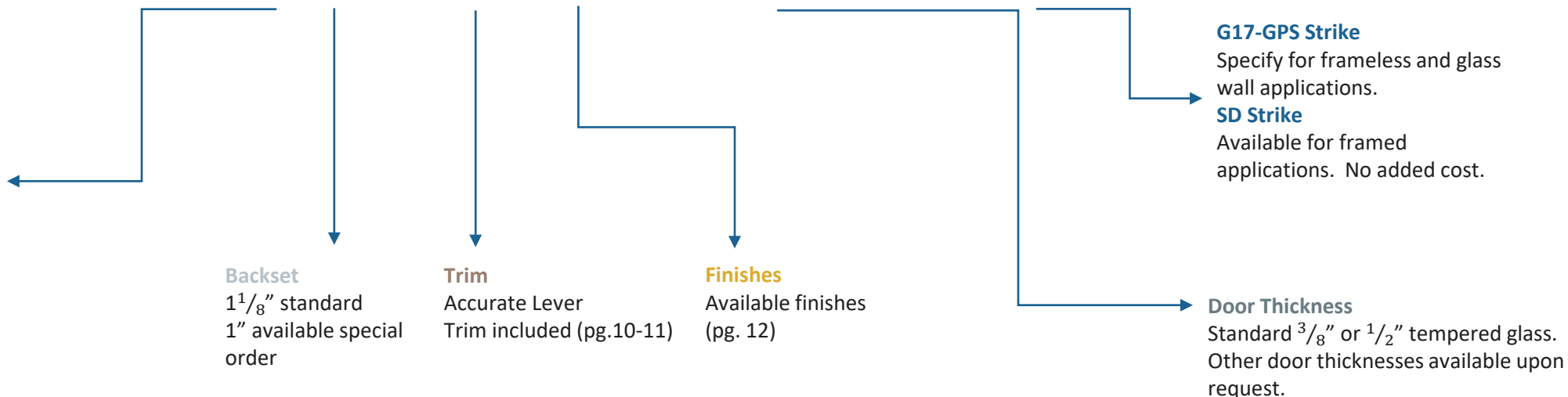
G17 + GO17 Series locks accept any standard American mortise cylinder. For details on required cams and compatibility with other manufacturers' cylinders, please visit: [Accurate Support](#).

HOW TO SPECIFY

FUNCTION.BACKSET.TRIM.FINISH.HAND.DOORTHICKNESS.STRIKE

Functions

Available functions (pg. 4-5)



EXAMPLES

G17 Entrance | Glass Wall | Matching Patch Strike

E.g.: G1757.118.29L.US28.RH.1/2.G17-GPS

G17 Entrance | Aluminum Frame (4⁷/₈" Strike)

E.g.: G1756.118.18L.US19.RH.1/2.SD

GO17 Passage | Offset

E.g.: G1725.118.19L.ESN.RH.1/2

CUSTOM OPTIONS AVAILABLE

- G17 can be set up for levers by other manufacturers upon request.
- Access control applications available
- Sliding door and self-latching functionality
- G17-GPS Strike specified and sold separately

Cylinders and cylinder thumb turns must be specified separately if required.

See 1700 Series for lock body information.

**Note: For compatibility please verify vertical spacing as well as through-bolting locations or call for assistance.*

**ACCURATE LOCK & HARDWARE
MANUFACTURERS OF LOCKS AND
CUSTOM ARCHITECTURAL HARDWARE**

1 Annie Place | Stamford, CT 06902

P: 203.348.8865

F: 203.348.5234

E: sales@accuratelockandhardware.com

www.accuratelockandhardware.com



**AMERICAN CRAFTED
— SINCE 1972 —**