



ACCURATE
LOCK & HARDWARE
AMERICAN CRAFTED SINCE 1972

GS87 SERIES

GLASS PATCH MORTISE SETS FOR SLIDING DOORS



Sleek, Sophisticated & Space Saving

GS87 SERIES

The GS87 Glass Patch Mortise Set for Sliding Doors is a modern solution designed to maximize capacity and transparency in any room. The GS87 is offered as a complete package including lock body, patch assembly, and levers with emergency egress features that allow the inside handle to retract the deadbolt while pulling the door open in one continuous operation.



GS87-3 FUNCTION WITH 72L LEVER

GS87 Series

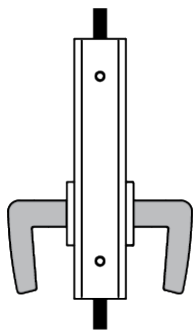
GLASS PATCH MORTISE SETS FOR SLIDING DOORS

- Offered as a complete package including lock body, thumb turn (emergency release when applicable), patch assembly and levers
- Standard set up is for 2" backset onto 1/2" thick tempered glass
- Custom options available including: other backsets, other door thicknesses, custom anodized aluminum finishes/colors
- Glass Patch and Dry Wall Strikes specified and sold separately.



GS87 SERIES WITH 72L LEVERS

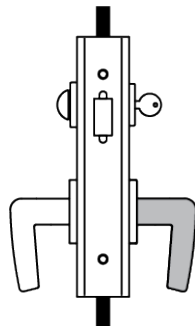
GS87 Functions



GS87-0 PASSAGE

No latch bolt or deadbolt.

Rigid levers either side.

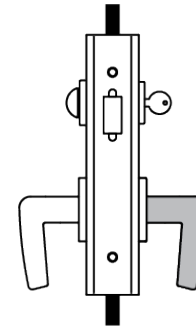


GS87-3 ENTRY

Sliding door lock with emergency egress.

Inside lever retracts deadbolt.

Deadbolt by key outside or turn piece inside.

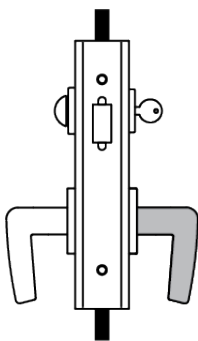


GS87-3i ENTRY WITH INDICATOR

Sliding door lock with emergency egress.

Inside lever retracts deadbolt.

Deadbolt by key outside or turn piece inside (with indicator).

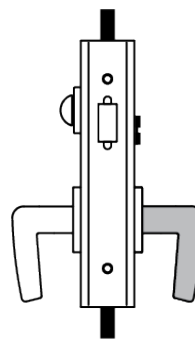


GS87-3ST CLASSROOM DEADLOCK

Sliding door lock with emergency egress.

Inside lever retracts deadbolt.

Deadbolt by key outside.

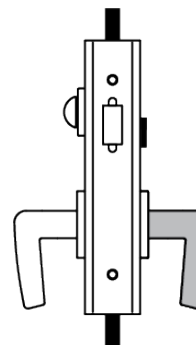


GS87-5 PRIVACY

Sliding door lock with emergency egress.

Inside lever retracts deadbolt.

Deadbolt by emergency release outside, turn piece inside.



GS87-5i PRIVACY WITH INDICATOR

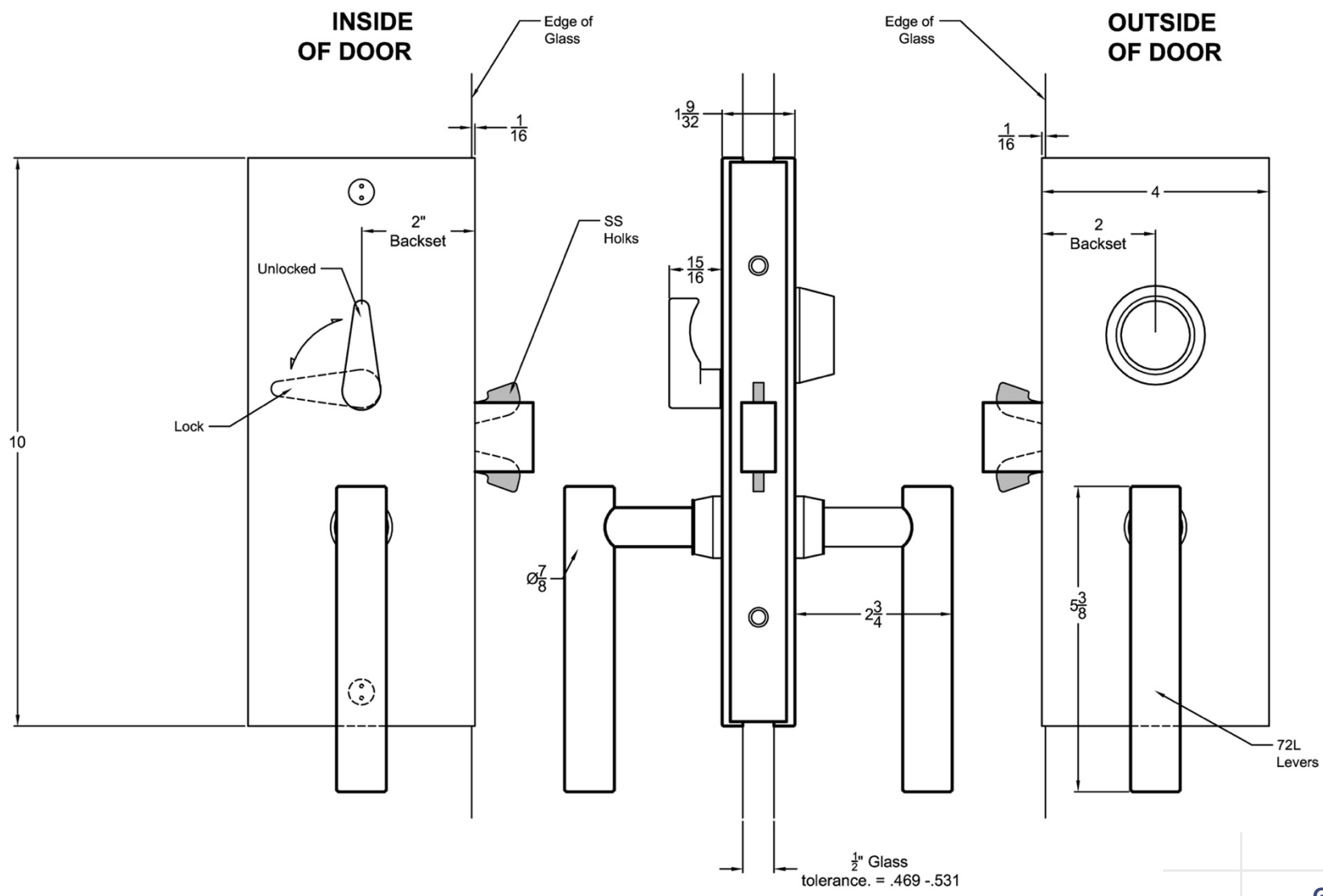
Sliding door with emergency egress.

Inside lever retracts deadbolt.

Deadbolt by emergency release outside, turn piece inside.

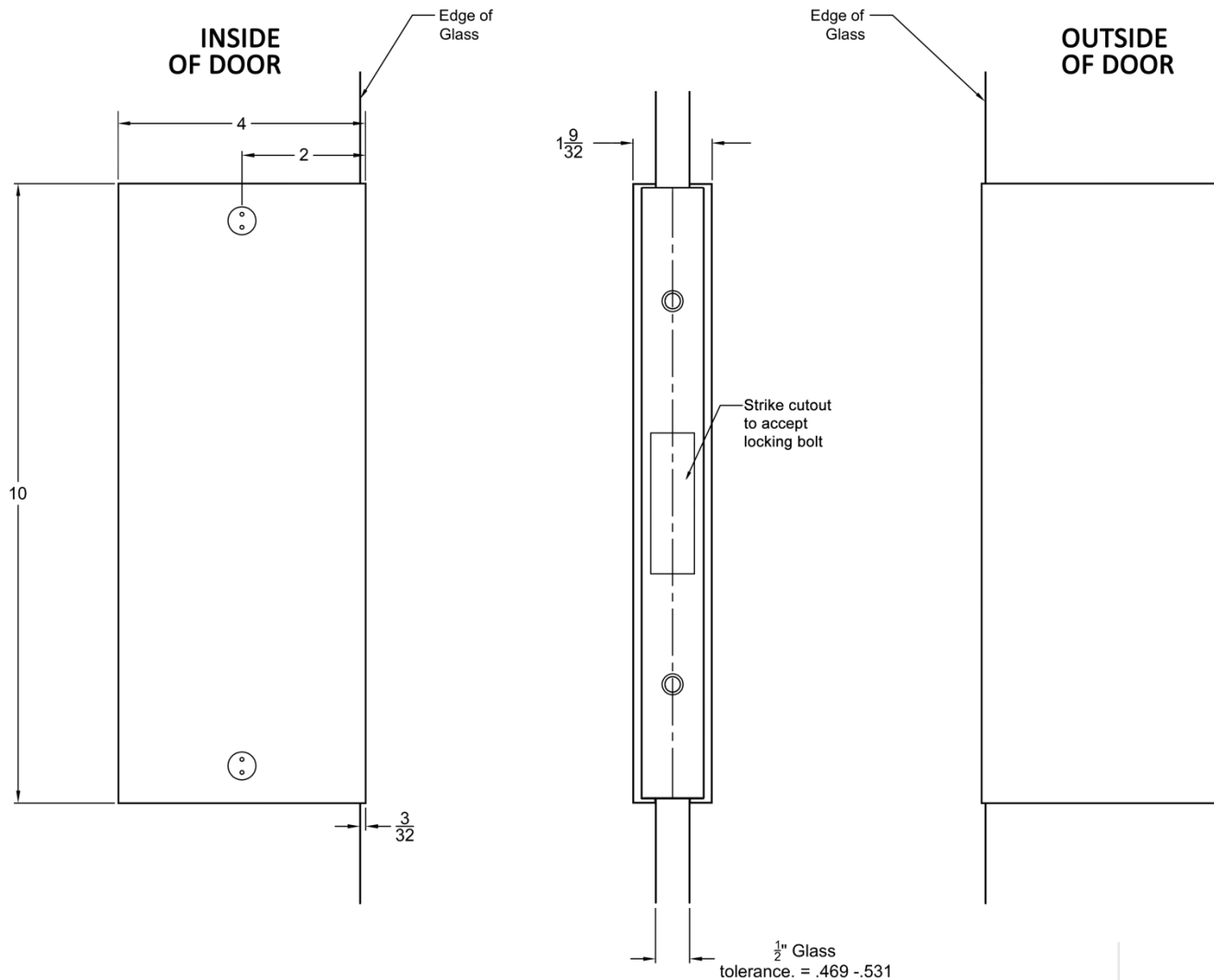


GS87 Sliding Glass Patch Dimensions



GS87-3 ENTRANCE | 72L LEVERS
(other levers available)

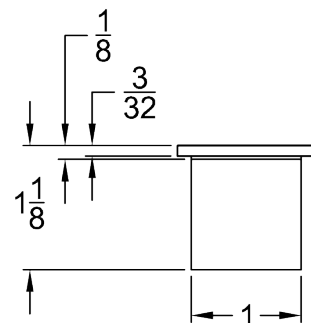
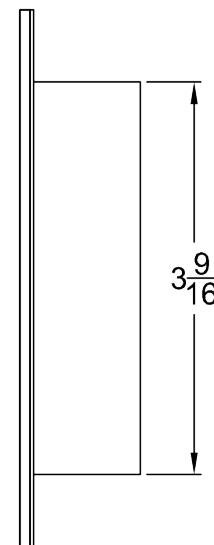
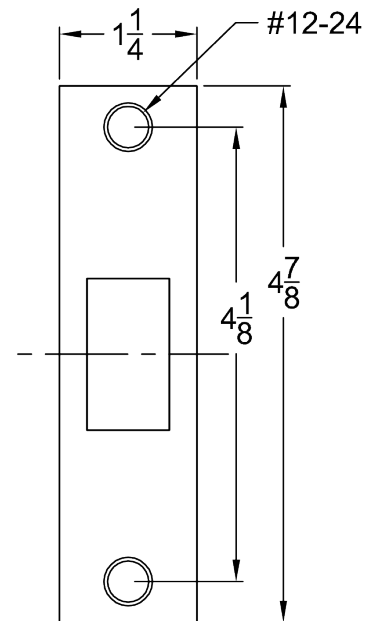
GS87-GPS Glass Patch Strike



GS87-GPS
(specified and sold separately)

Standard Strike

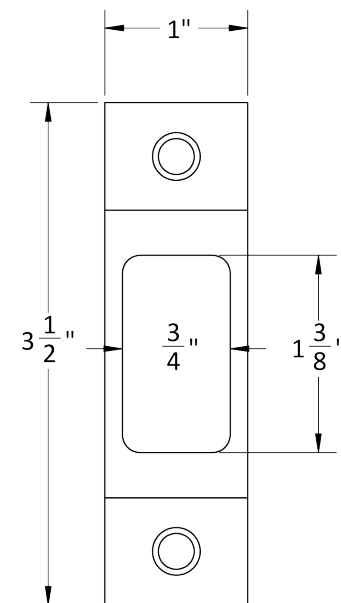
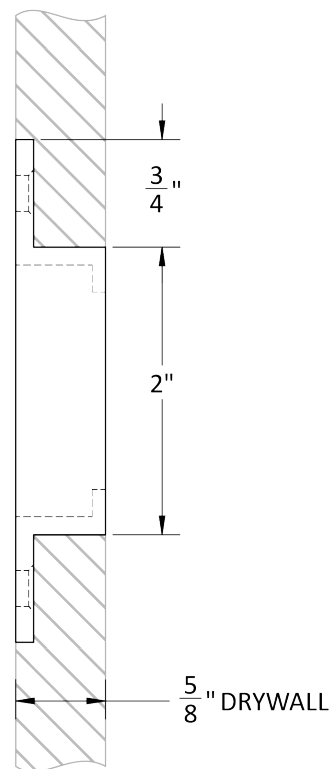
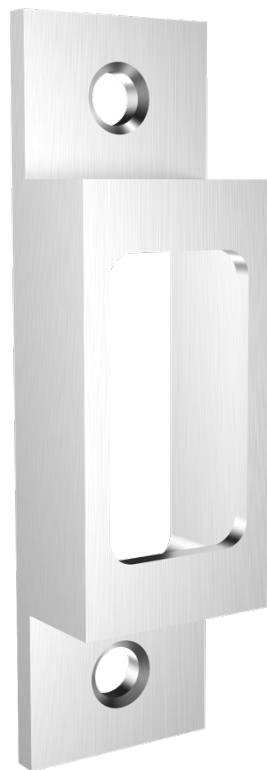
FOR USE WITH WOOD OR METAL DOOR JAMBS



STANDARD STRIKE
(specified and sold separately)

GS87-DWSTK Drywall Strike

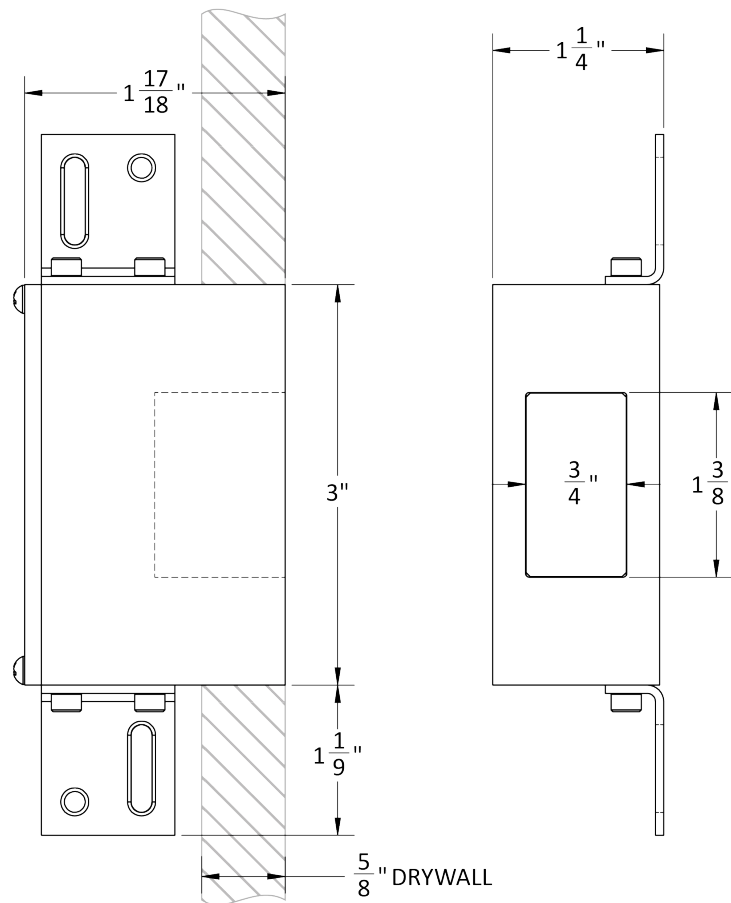
MOUNTS FLUSH TO THE DRYWALL



GS87-DWSTK DRYWALL STRIKE
(specified and sold separately)

DWSTK-DP Dust Proof Drywall Strike

FOR USE WITH DRYWALL | INSTALLED ON STUD (PRIOR TO SHEETROCK)



GS87-DWSTK-DP DUST PROOF DRYWALL STRIKE
(specified and sold separately)

Accurate Lever Trim Options

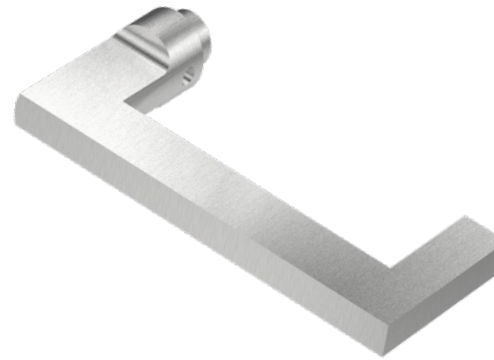
18L LEVER



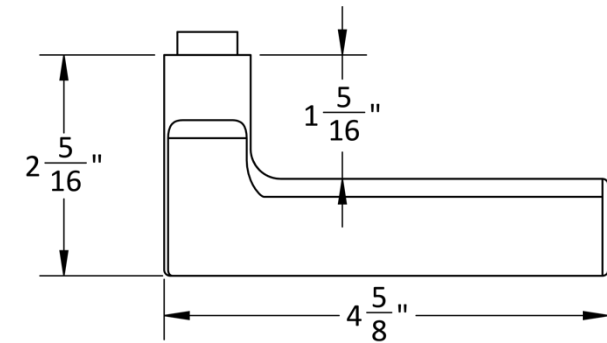
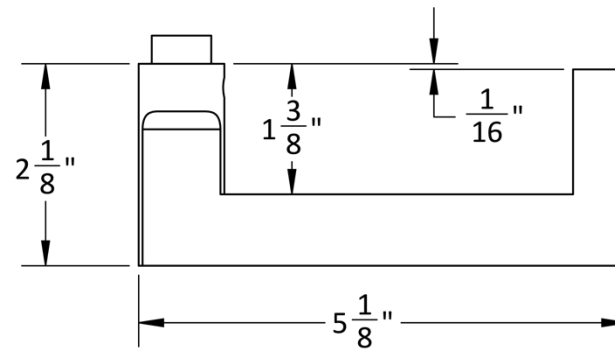
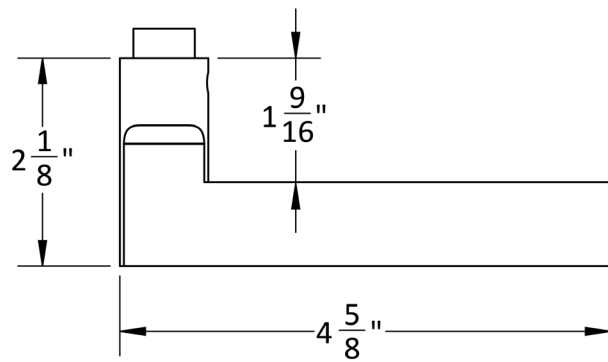
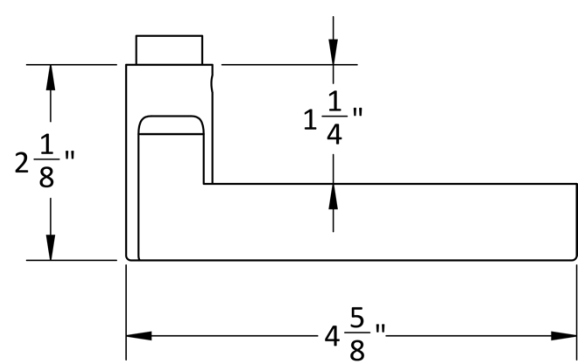
19L LEVER



20L LEVER

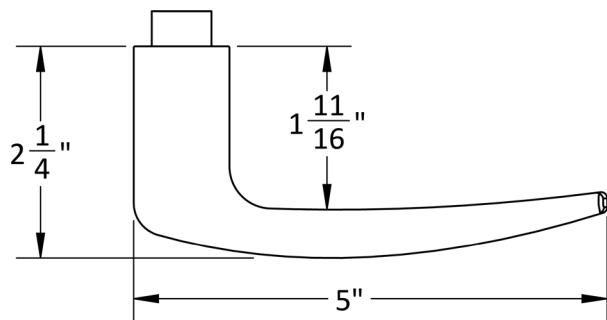


21L LEVER

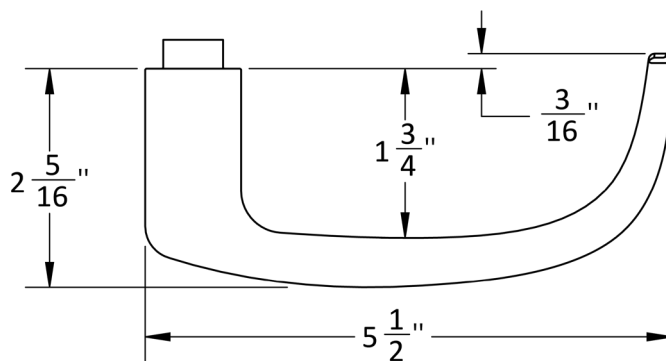


Accurate Lever Trim Options

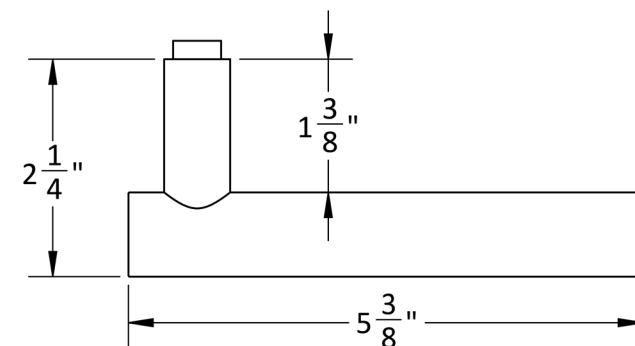
29L LEVER



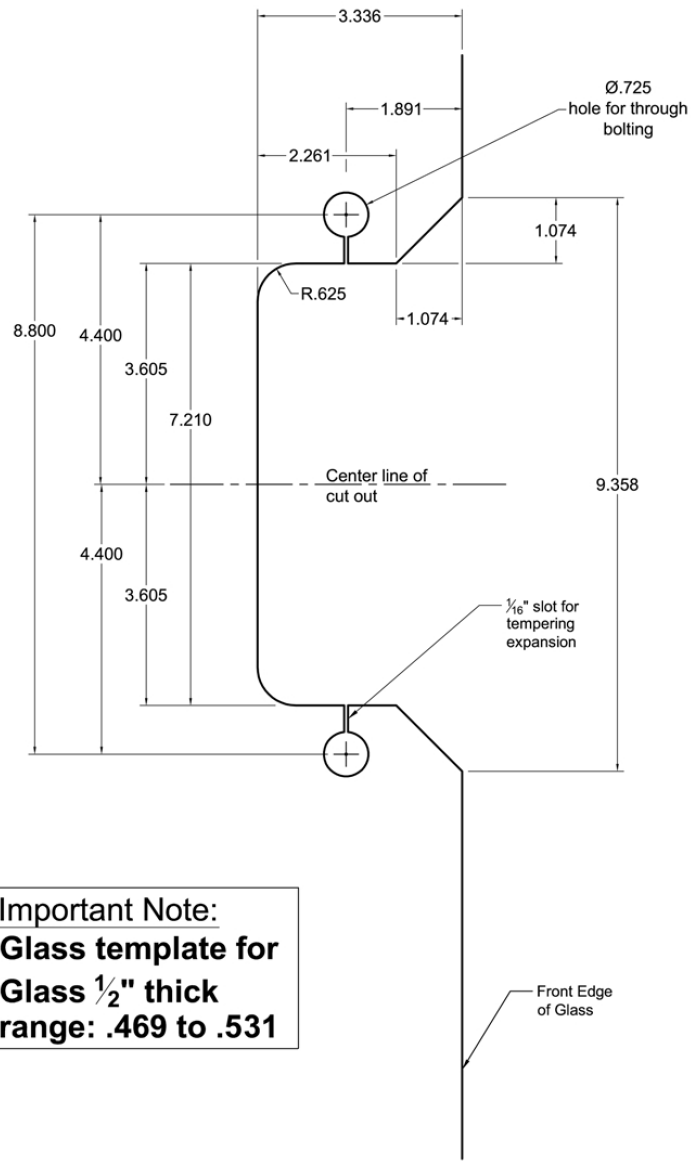
39L LEVER



72L LEVER



GS87-GPS Glass Prep Template

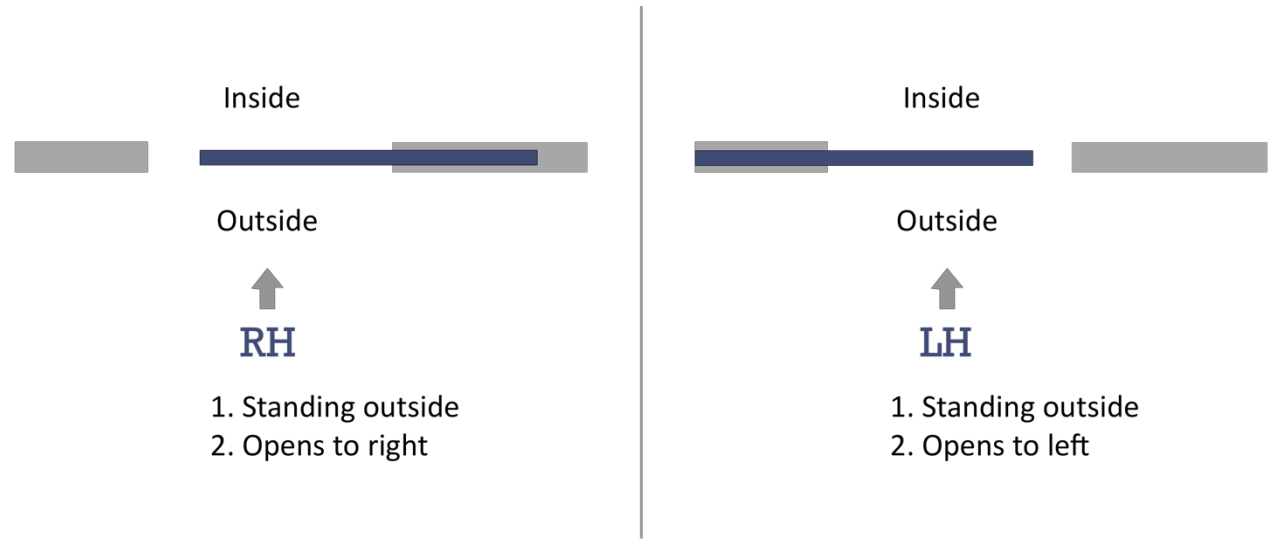


Important Note:
Glass template for
Glass 1/2" thick
range: .469 to .531

GS87-GPS GLASS PREP TEMPLATE
(specified and sold separately)

HOW TO SPECIFY

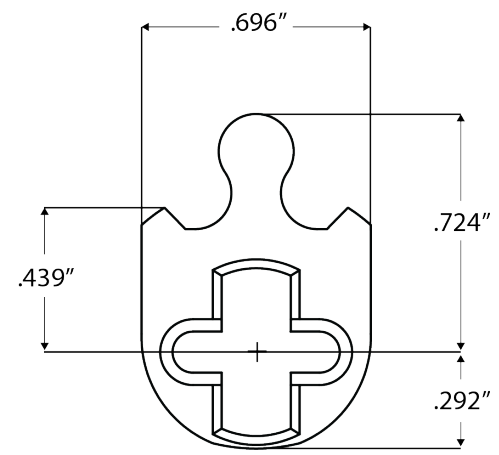
HANDING



FINISHES

US28, ESN, US19

Other finishes available, please [contact us](#) for assistance.

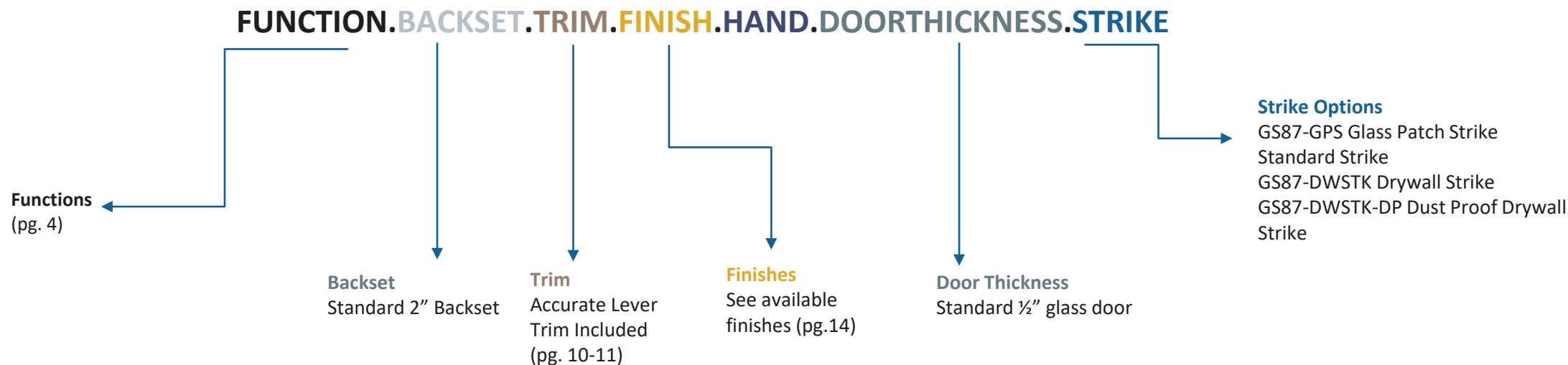


CYLINDERS & KEYING

GS87 Series accepts any standard American mortise cylinder. For details on required cams and compatibility with other manufacturers' cylinders, please visit:

[Accurate Support](#)

HOW TO SPECIFY



EXAMPLES

Sliding Door Glass Patch Set | Entry | Matching Patch Strike

E.g. GS87-3.2.72L.ESN.RH.1/2.GS87-GPS

Sliding Door Glass Patch Set | Privacy | Dust Proof Dry Wall Strike

E.g. GS87-5.2.18L.US19.LH.1/2.GS87-DWSTK-DP

Sliding Door Glass Patch Set | Classroom Deadlock | Dry Wall Strike

E.g. GS87-3ST.2.21L.US28.RH.1/2.GS87-DWSTK

CUSTOM OPTIONS AVAILABLE

- GS87 Series can be set up for levers by other manufacturers.
- Access control applications available.
- Strikes specified and sold separately.

**ACCURATE LOCK & HARDWARE
MANUFACTURERS OF LOCKS AND
CUSTOM ARCHITECTURAL HARDWARE**

1 Annie Place | Stamford, CT 06902

P: 203.348.8865

F: 203.348.5234

E: sales@accuratelockandhardware.com

www.accuratelockandhardware.com



**AMERICAN CRAFTED
— SINCE 1972 —**