



ACCURATE

LOCK & HARDWARE

AMERICAN CRAFTED SINCE 1972

LR-SDS Ligature Resistant Sliding Door System

IMPROVE SAFETY. SAVE SPACE. ENHANCE PATIENT DIGNITY.

LR-SDS

LIGATURE RESISTANT SLIDING DOOR SYSTEM

SEAMLESS

- Concealed track system hangs a 1³/₄" thick door with minimal surface applied gap without any exposed anchor points or cavities
- Concealed floor guide keeps door flush against wall (optional LR-SDS-TRANSOM, see pg. 17-18)
- Concealed vertical rod bolt locks into track providing privacy with no accessible latch bolt or strike
- Ligature resistant thumb turn and flush pull

SAFE

- Top door edge not accessible as a ligature point
- Eliminates barricade tactics and using door as a weapon

SECURE

- Privacy function and keyed deadbolt available with clutch override feature so staff can gain entry in barricade situations
- In addition to locking in the "closed" position, other positions can be added (e.g. locked in open position)

SILENT

- Rubber cladding dampens closure allowing quieter operation and more resistance to abuse (Stop Kit)

SPACE SAVING

- Contributes to a smaller patient room design saving up to 45% of space



REMOVABLE STOP



TRACK CLOSE UP



TRACK CUTAWAY



FLOOR GUIDE



LR-SDS

FOR BEHAVIORAL HEALTHCARE ENVIRONMENTS

DURABILITY

- Strength tested to meet or exceed one 150 ft-lb impact per section 6.1.1.2 of ANSI A250.13-2014. System withstands abuse and continues to function even after door failure.
- The LR-SDS is available with a Ligature Resistant Shoe (when ordered) that provides structural integrity against lateral forces applied by patient abuse.* This captures the lower leading edge of the door when in the closed position.
- Withstood simulated abuse testing by architectural consultant with door 6" open.

**The use of reinforced hollow metal doors is recommended for high abuse environments.*

LOAD CAPACITY

- There are two ball bearing blocks, each having a dynamic load capacity of 1240lbs

Please note: There is currently no "Open Door" ASTM/ANSI/ASHE performance standards for sliding doors beyond ADA compliance, acoustics and force applied to them. Existing standards only evaluate a closed and secure door.



LR-SDS: Functions

Nightingale
Awards



Nightingale
Awards



THE
SYMPOSIUM
DISTINCTION
AWARDS

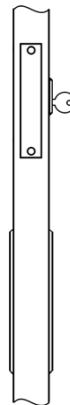


LR-SDS-0 PASSAGE

Non-locking function.

Solution includes:

- Ligature resistant track
- (2) U7001AL flush pulls



LR-SDS-9501 SINGLE CYLINDER FUNCTION

Vertical rod bolt operated by cylinder outside to lock/unlock door.

Solution includes:

- Ligature resistant track
- 9501VRT vertical rod lock
- (2) U7001AL flush pulls

Mortise cylinders and collars required (specify separately).



LR-SDS-9502 DOUBLE CYLINDER FUNCTION

Vertical rod bolt operated by cylinder either side to lock/unlock door.

Solution includes:

- Ligature resistant track
- 9502VRT vertical rod lock
- (2) U7001AL flush pulls

Mortise cylinders and collars required (specify separately).



LR-SDS-9503 CYLINDER/THUMB TURN FUNCTION

Vertical rod bolt operated by cylinder outside or thumb turn inside to lock/unlock door.

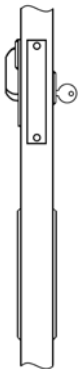
Thumb turn provided with clutch override feature to allow cylinder operation when thumb turn held in locked position

Solution includes:

- Ligature resistant track
- 9503VRT mortise vertical rod
- LR-ADA thumb turn with clutch
- (2) U7001AL flush pulls

Mortise cylinder and collar required (specify separately).

LR-SDS: Functions



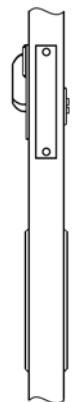
LR-SDS-9503ST CLASSROOM DEADLOCK FUNCTION

Vertical rod bolt operated by cylinder outside to lock/unlock door.
When door is locked, thumb turn inside will retract the bolt to allow egress (thumb turn will not lock door)

Solution includes:

- Ligature resistant track
- 9503STVRT mortise vertical rod
- LR-ADA thumb turn
- (2) U7001AL flush pulls

Mortise cylinder and collar required (specify separately).



LR-SDS-9505 PRIVACY

Vertical rod bolt operated by thumb turn inside, emergency release outside.
Outside emergency release will override inside thumb turn if forcibly held.

Solution includes:

- Ligature resistant track
- 9505VRT vertical rod
- LR-ADA thumb turn with clutch
- LR-ER emergency release
- (2) U7001AL flush pulls



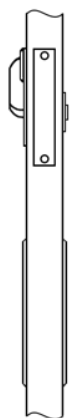
LR-SDS-9503ST-i CLASSROOM DEADLOCK WITH INDICATOR

Vertical rod bolt operated by cylinder outside to lock/unlock door.
When door is locked (reflected on cylinder indicator outside), thumb turn inside will retract the bolt to allow egress (thumb turn will not lock door).

Solution includes:

- Ligature resistant track
- 9503STVRT mortise vertical rod
- 7200SCi cylinder indicator
- LR-ADAI turn piece
- (2) U7001AL flush pulls

Mortise cylinder and collar required (specify separately).



LR-SDS-9505i PRIVACY WITH INDICATOR

Vertical rod bolt operated by LR-ERi emergency release outside.
LR-ADA thumb turn inside.
Outside LR-ERi will override inside thumb turn if forcibly held.

Solution includes:

- Ligature resistant track
- 9505VRT mortise vertical bolt
- LR-ADAI thumb turn with clutch
- LR-ERi emergency release with indicator
- (2) U7001AL flush pulls

**SELF LATCHING FUNCTIONS
ALSO AVAILABLE (REFER TO THE
SL-LR-SDS FOR DETAILS)**

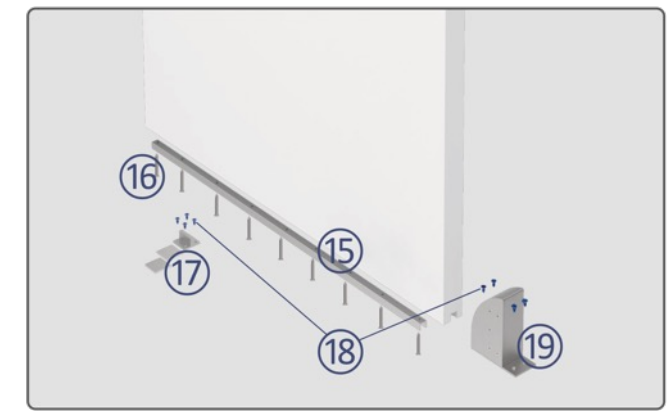
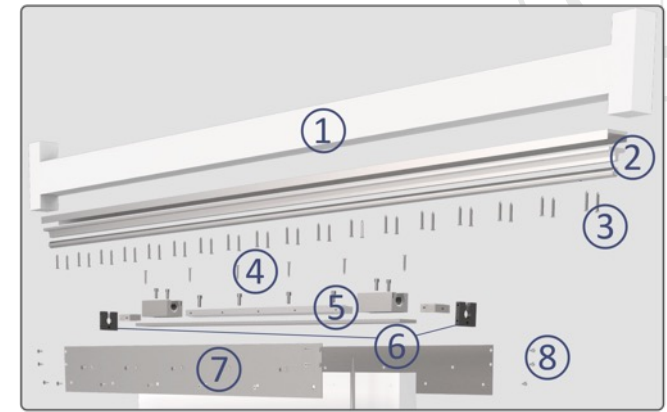
**OTHER SPECIALTY FUNCTIONS
MAY BE AVAILABLE AS A SPECIAL
ORDER. PLEASE CALL FOR
ASSISTANCE.**



LR-SDS: Assembly

LR-SDS-9503ST CLASSROOM DEADLOCK FUNCTION

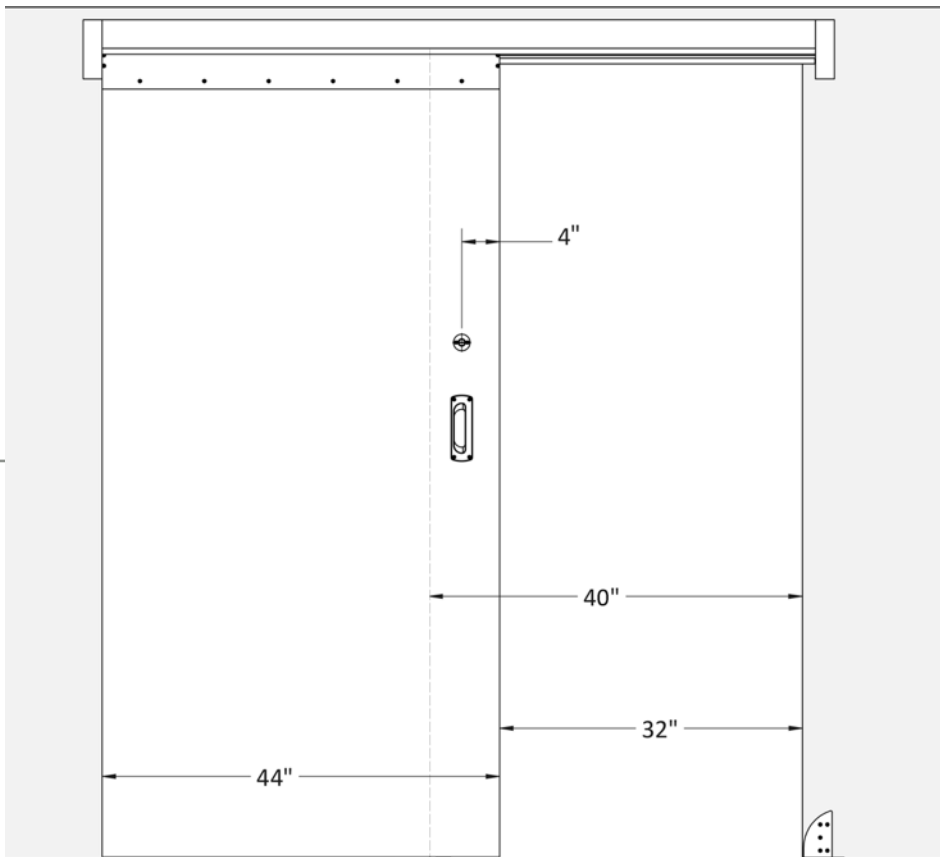
LR-SDS-9503ST ASSEMBLY	
1	Header (by others)
2	Bearing Track Assembly: <ul style="list-style-type: none"> • Ligature Resistant Skirt • Bearing Guide Assembly
3	#8 x 2" Construction Screws
4	#9 x 2 1/2" Construction Screws
5	Bearing Mounting Assembly: <ul style="list-style-type: none"> • Bearing Mounting Screws • Ball Bearing Blocks • Bearing Mounting Bracket • Support Bearing Blocks
6	Ligature Resistant Caps
7	Cover Plates
8	#8 x 1/2" Pin-in Torx® Mounting Screws
9	Locking Rod
10	9503STVRT Vertical Rod Bolt
11	LR-ADA Thumb Turn
12	Mortise Cylinder (specify separately)
13	9500VR Faceplate
14	U7001AL Flush Pull
15	Bottom Guide Channel Liner
16	#8 x 3/4" Construction Screws
17	Bottom Guide with Shim Kit*
18	Tapcon® Anchors for Concrete
19	Ligature Resistant Shoe (when ordered)



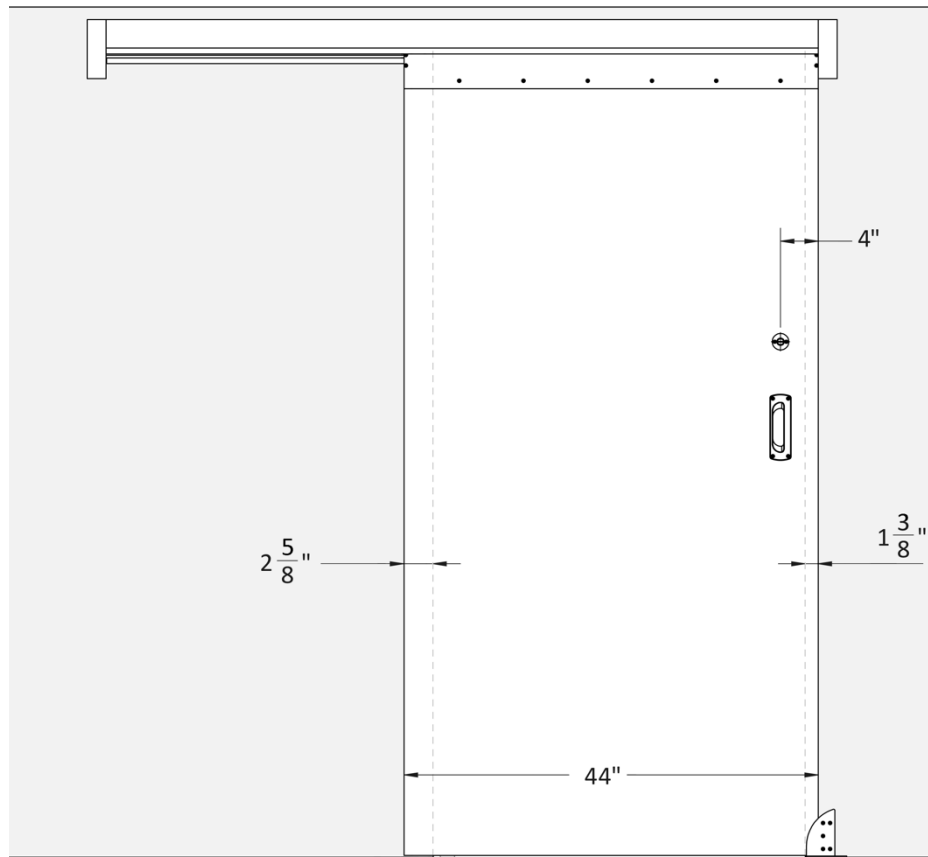
*Optional LR-SDS-TRANSOM available, see page 17-18.

LR-SDS: Opening Specifications, Outside View

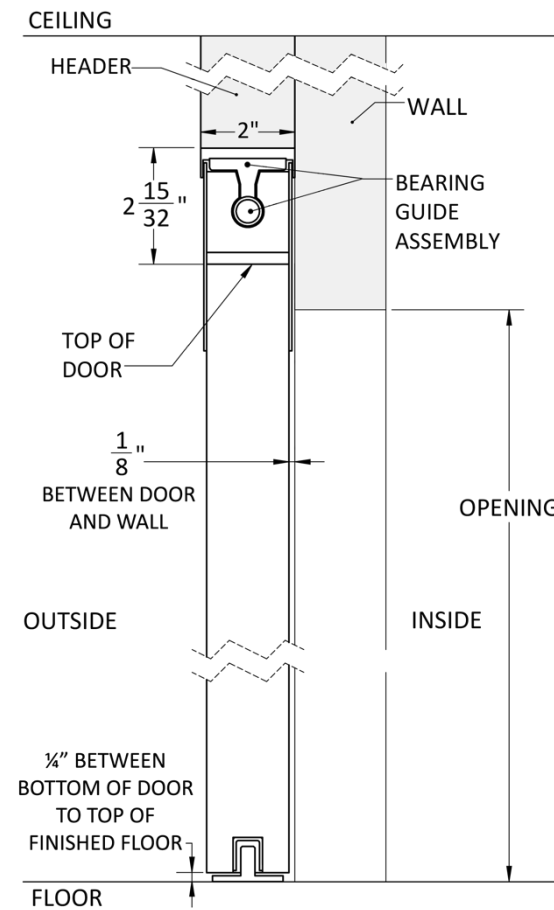
LR-SDS-9505 PRIVACY FUNCTION



OPEN



CLOSED

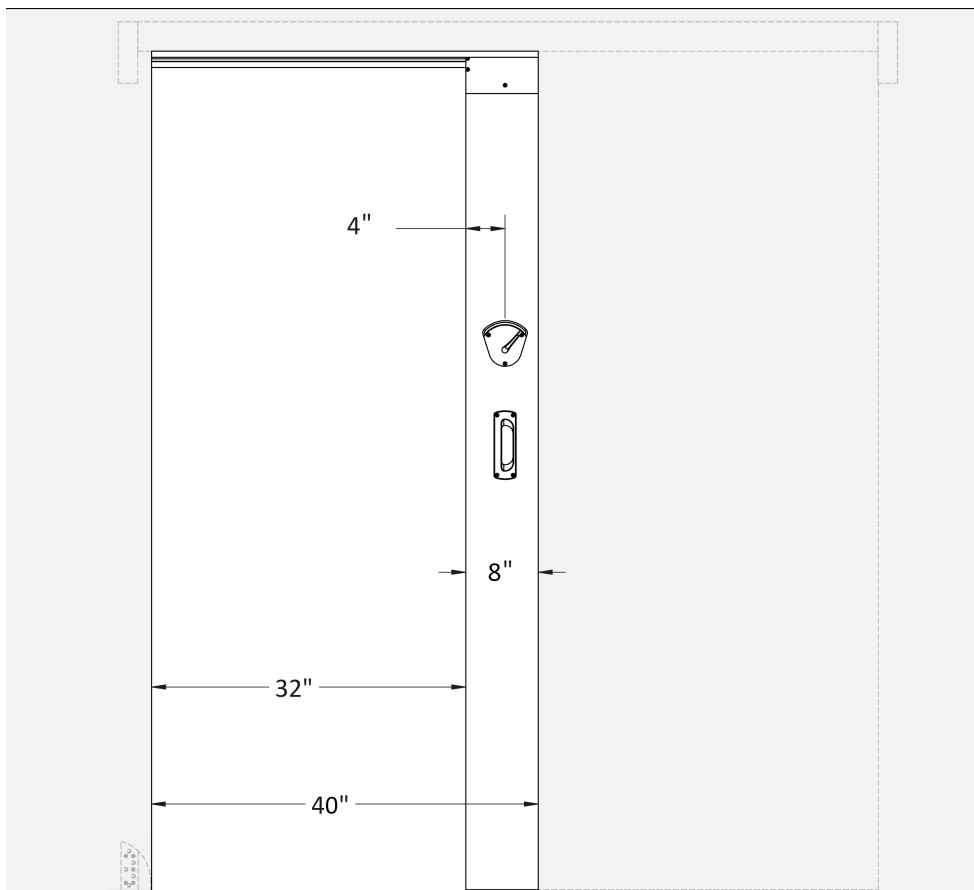


**RECOMMENDED
HEADER**

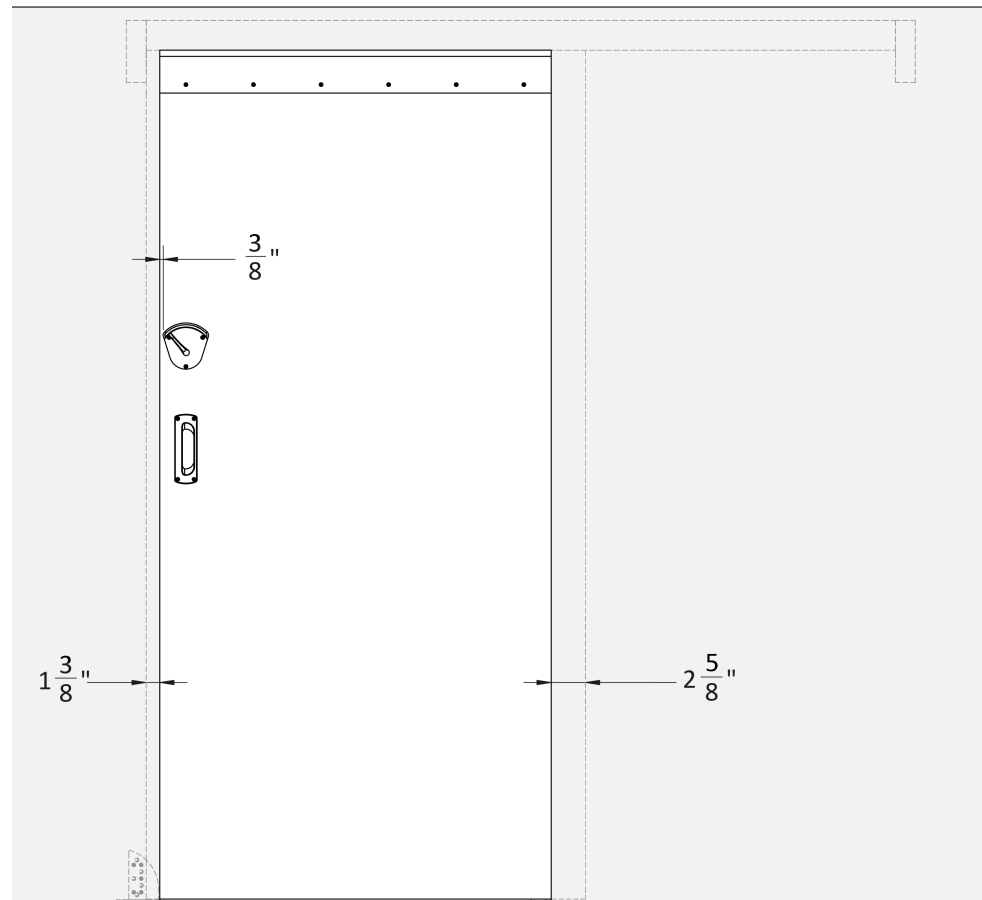


LR-SDS: Opening Specifications, Inside View

LR-SDS-9505 PRIVACY FUNCTION



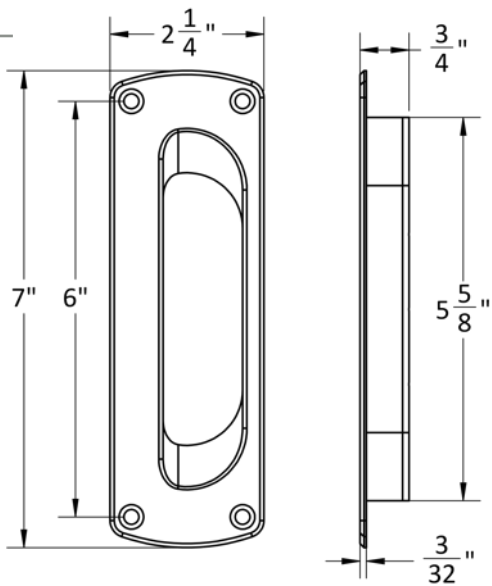
OPEN



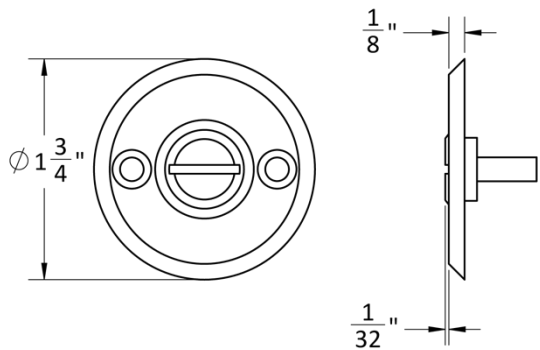
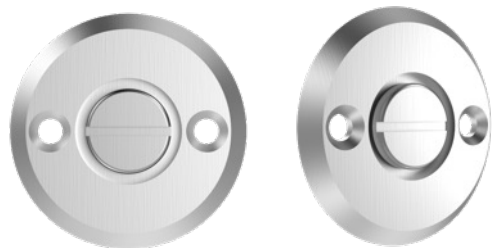
CLOSED

LR-SDS: Components

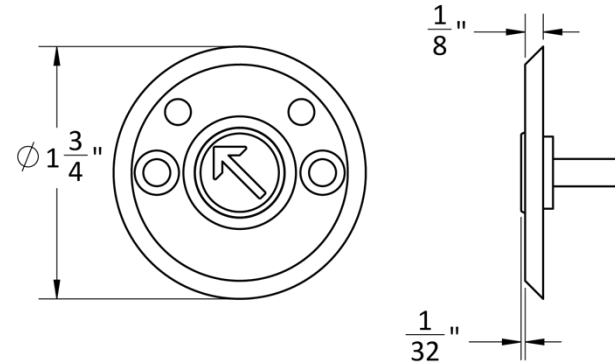
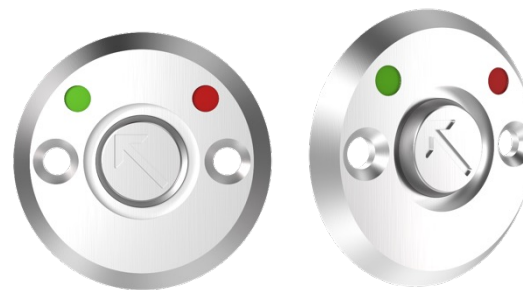
**U7001AL
FLUSH PULL**



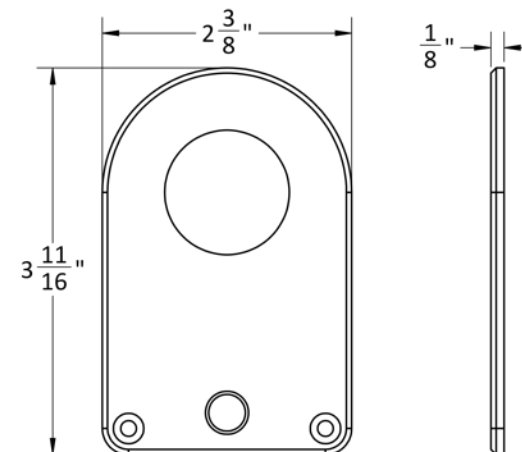
**LR-ER
EMERGENCY RELEASE**



**LR-ERi
EMERGENCY RELEASE WITH
INDICATOR**

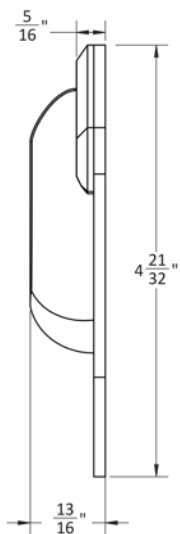
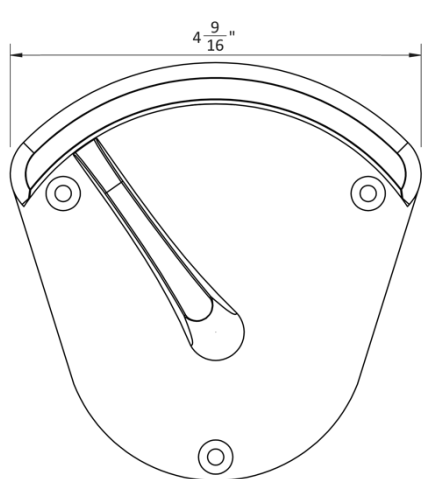


**7200SCi
CYLINDER INDICATOR**



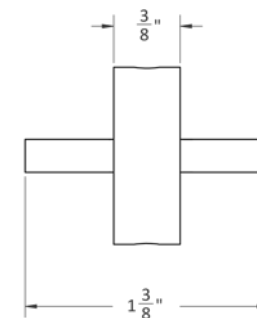
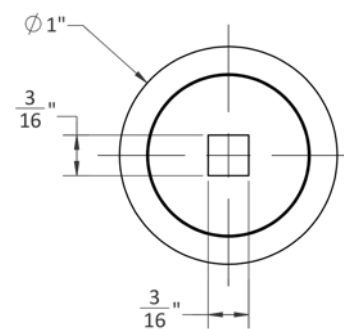
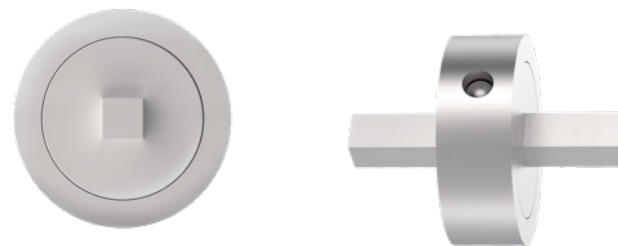
LR-SDS: Components

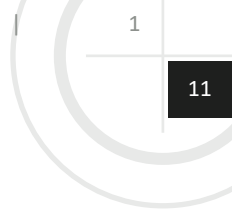
LR-ADA THUMB TURN



CLUTCH

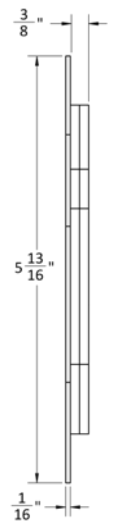
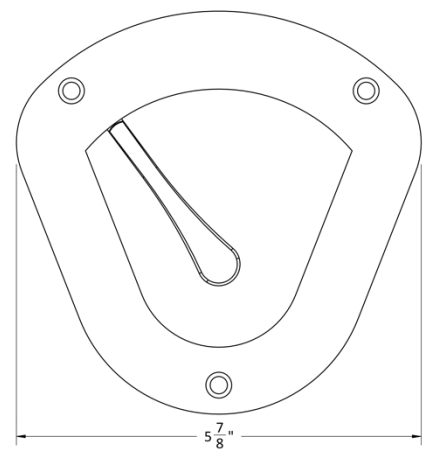
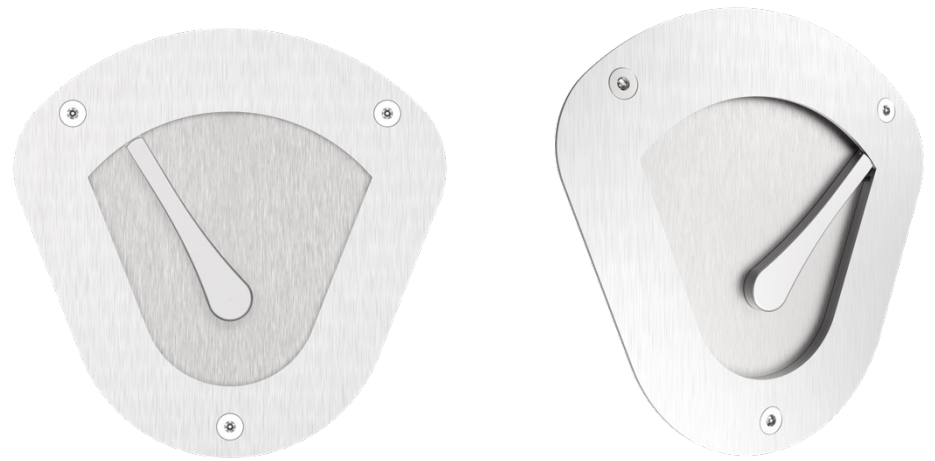
To enable authorized override



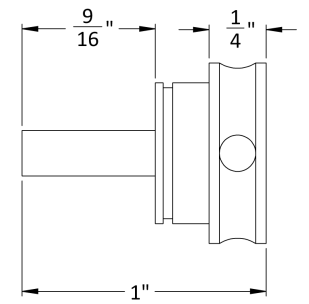
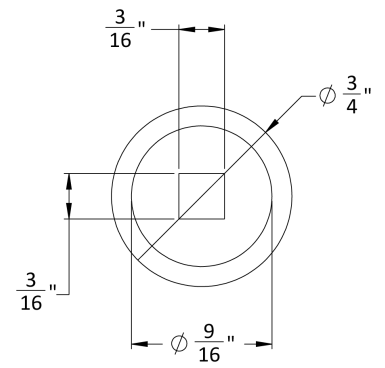
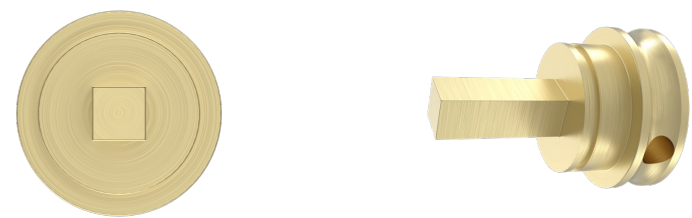


LR-SDS: Components

**LR-ADA-F
FLUSH THUMB TURN**



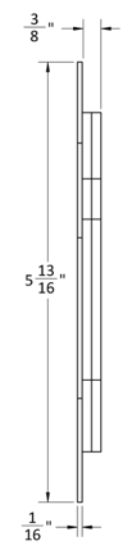
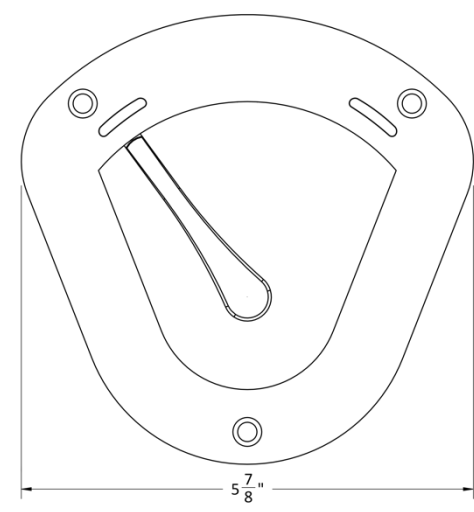
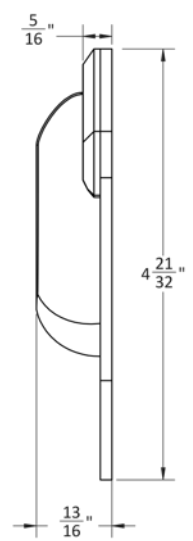
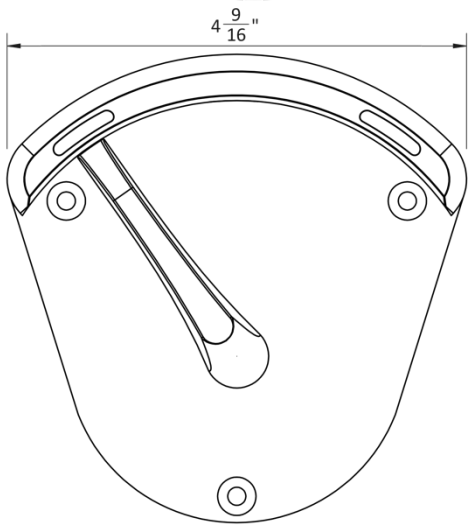
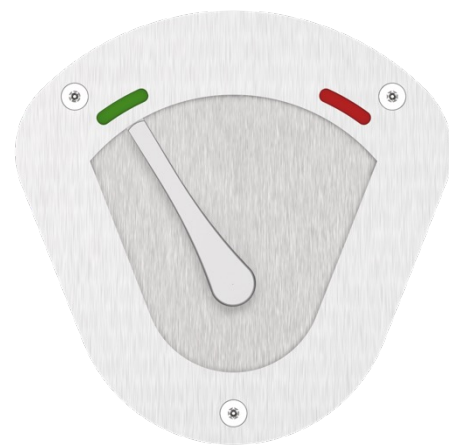
CLUTCH
To enable authorized override



LR-SDS: Components

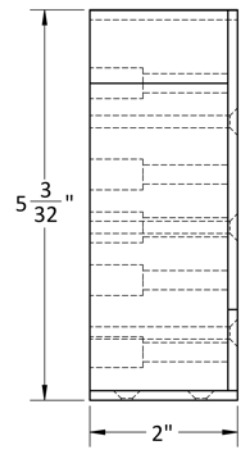
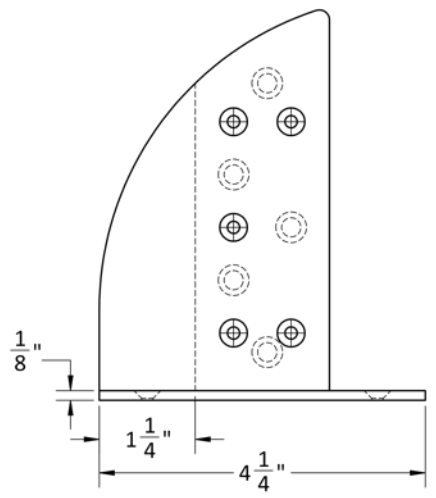
LR-ADAI THUMB TURN WITH INDICATOR

LR-ADA-Fi FLUSH THUMB TURN



LR-SDS: Shoe

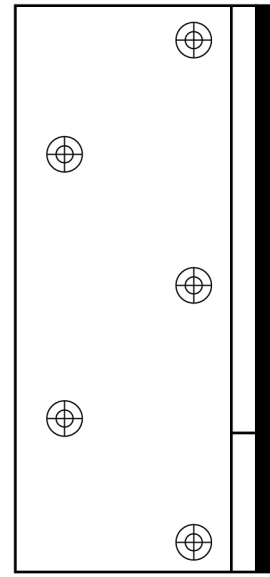
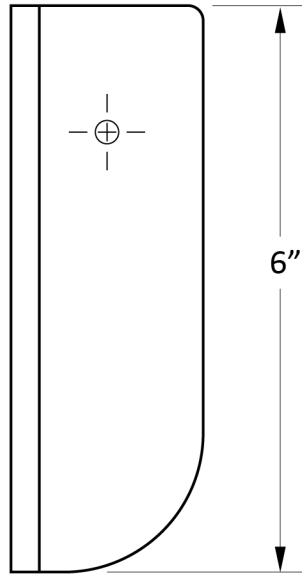
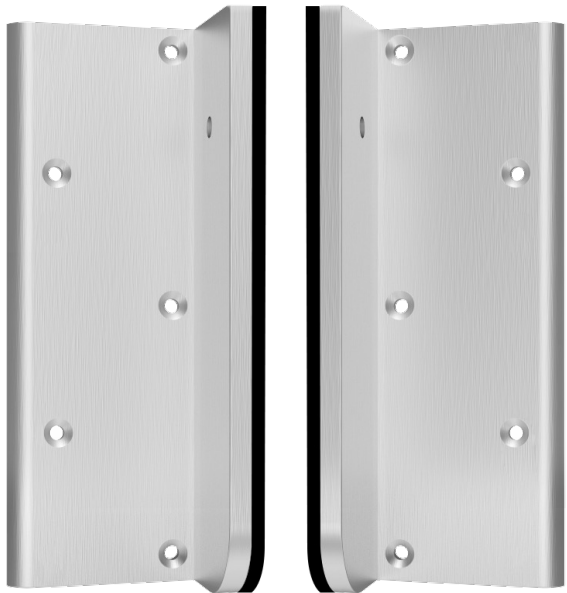
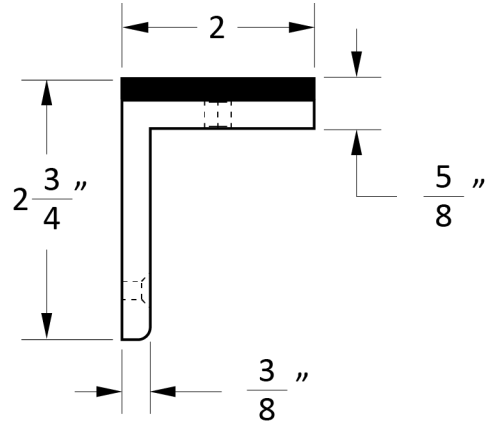
Available upon request, specify LR-SHOE



Tapcon® Anchor screws included:
Each screw has a pullout strength of 1,090lbs and a shear strength of 860lbs.

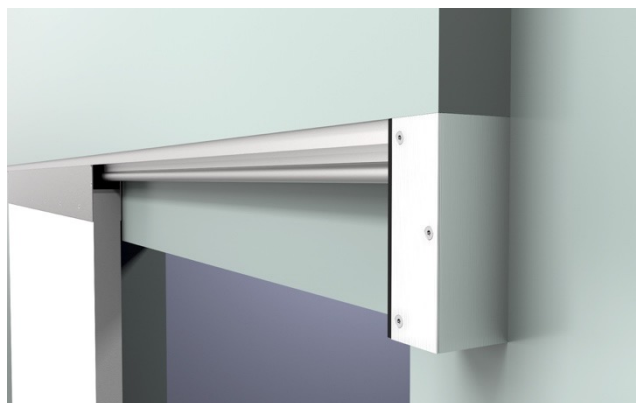
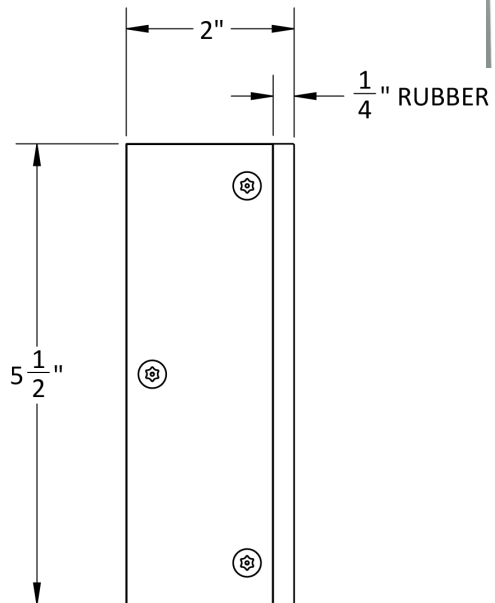
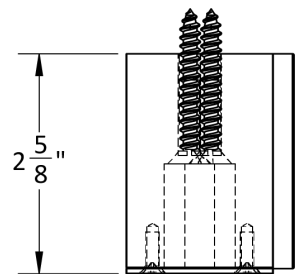
LR-SDS-Stop Kit A (Angle)

Available upon request, specify Stop Kit A.



LR-SDS-Stop Kit B (Block)

Available upon request, specify Stop Kit B.



LR-SDS: Fast Frame Kit

Available upon request, specify FF

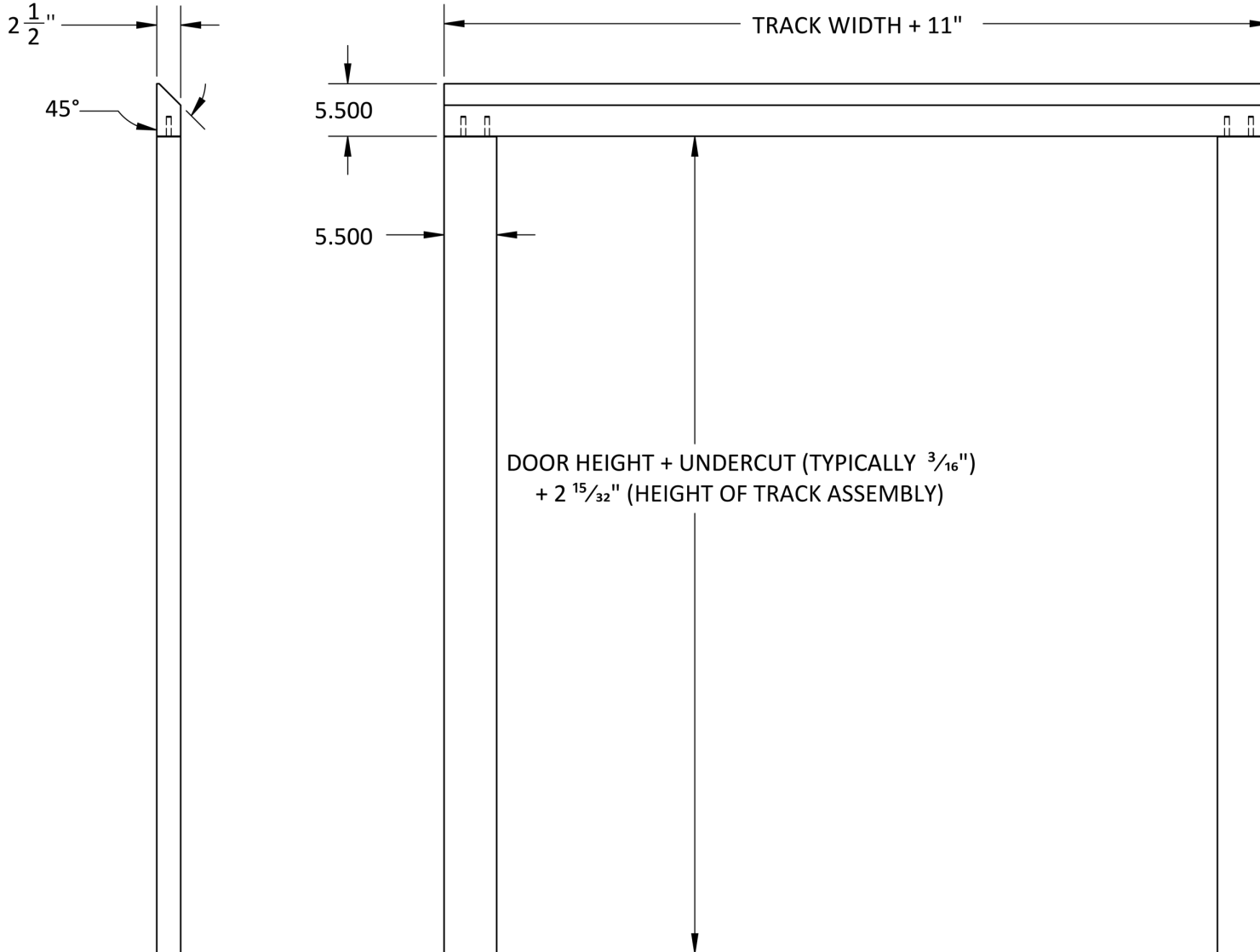


FAST FRAME KIT

- Includes: 2 side rails, 1 top rail
- Allows 2 people to install the door in approximately 20 minutes
- Once simple blocking has been added to the wall studs surrounding the door, side rails can be installed first, followed by the time frame with track
- Results in a seamless frame around the door

LR-SDS: Fast Frame Kit Specs

Available upon request, specify FF



LR-SDS: Sliding Door Transom

Available upon request, specify LR-SDS-TRANSOM

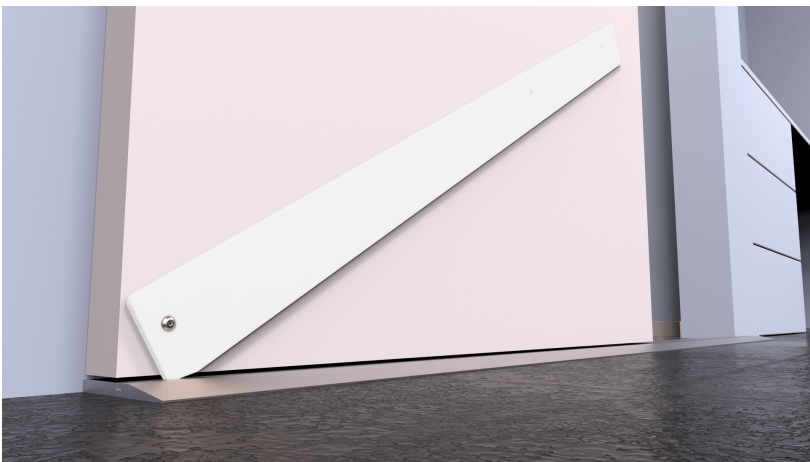


SLIDING DOOR TRANSOM

The transom closes the bottom gap and provides support to guide the door making it a safer opening.

LR-SDS: Sliding Door Transom

Available upon request, specify LR-SDS-TRANSOM



Specialty Applications

ELECTRIFIED SOLUTION

SL-LR-SDS-CHM9159E

Ligature resistant handle inside always free to retract latch.

Electronic operation** will unlock outside handle.

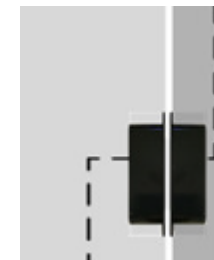
Key cylinder (by others) will override electronics.

** Access control is enabled by utilizing [SDC WPT Wireless Power Transfer Device](#) (not continuous duty).

Solution includes:

- Ligature resistant track with Top Door Mount System (door to be supplied by others)
- SL-M9159ECVR Self-latching Electrified Concealed Vertical Rod Sliding Door Latch – backset to be determined based on opening details (min. 3-3/4" backset required)
- LR-SDS-CH-B Crescent Handle Inside (or flush handle if overlaps do not allow surface mounted trim)
- LR-SDS.CH-C Crescent Handle outside with cylinder cutout (mortise cylinder to be provided by others)
- SDC's WPT Wireless Power Transfer
- Available with Fast Frame Kit modified to house power transfer

Other access control components (including card reader) to be supplied by others.





How to Specify

LR-SDS-X.FINISH.DOORTHICKNESS.DOORTYPE.DOORWIDTH.OPTIONS

FUNCTIONS
See (pg 4-5)

FINISH
Standard
US26D/US32D.
Call for assistance with
other architectural
finishes

DOOR THICKNESS
Standard 1³/₄" doors

DOOR TYPE
Wood or
Hollow Metal

DOOR WIDTH
Door recommended
minimum 10" wider
than the opening (pg.
7-8)

- Specify:
- LR-SHOE
 - Stop Kit A or B
 - FF Fast Frame Kit
 - LR-SDS-TRANSOM
 - Special Requests

EXAMPLES

LR-SDS | Passage | Angled Stop Kit
E.g. LR-SDS-0.US26D.134.WOOD.44.STOPKITA

LR-SDS | Double Cylinder Deadlock | Fast Frame Kit
E.g. LR-SDS-9502.US26D.134.WOOD.44.FF

LR-SDS | Classroom Deadlock
E.g. LR-SDS-9503ST.US26D.134.METAL.44

**ACCURATE LOCK & HARDWARE
MANUFACTURERS OF LOCKS AND
CUSTOM ARCHITECTURAL HARDWARE**

1 Annie Place | Stamford, CT 06902

P: 203.348.8865

F: 203.348.5234

E: sales@accuratelockandhardware.com

www.accuratelockandhardware.com



**AMERICAN CRAFTED
— SINCE 1972 —**