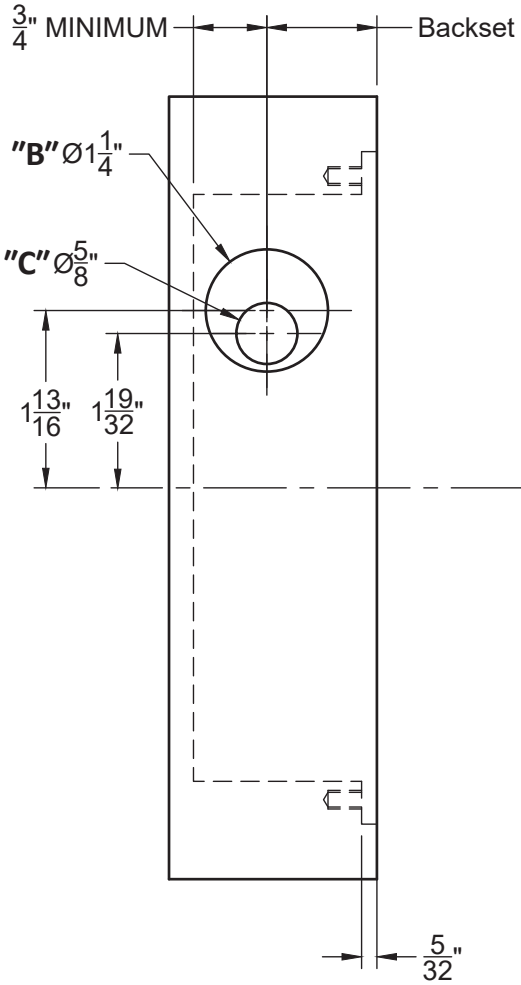
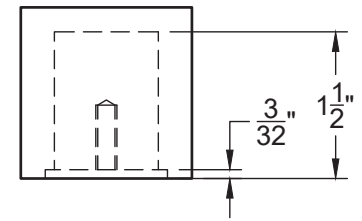
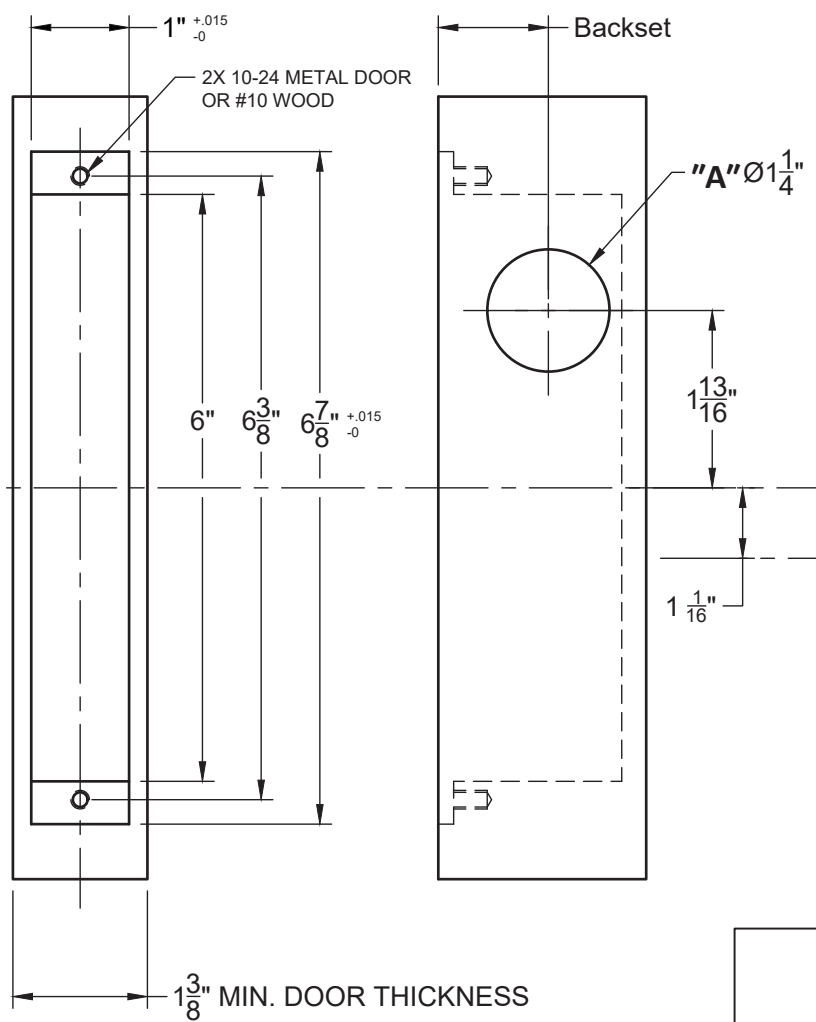


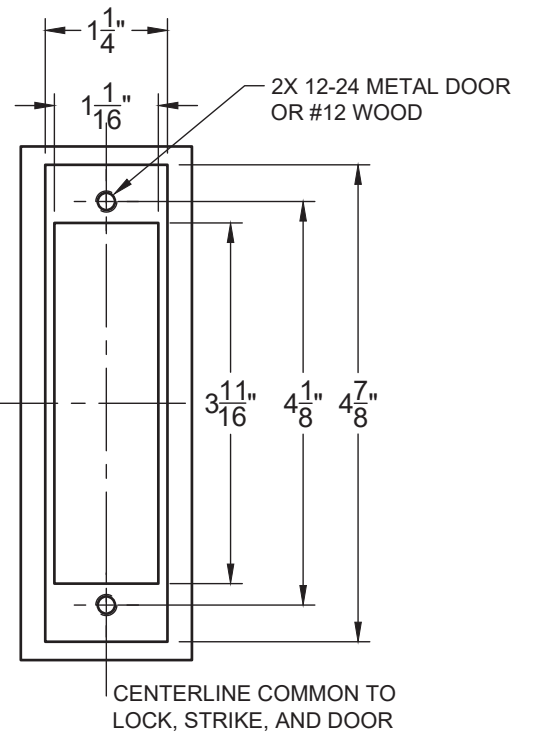
INSIDE OF DOOR



OUTSIDE OF DOOR



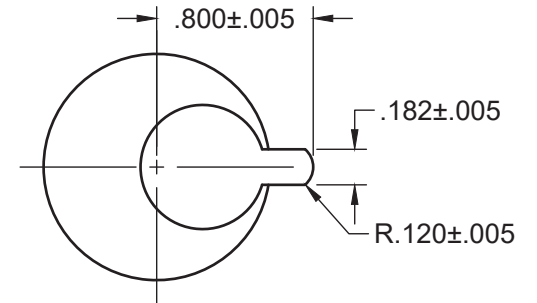
STRIKE



Function	A	B	C
1601SDL	●		
1602SDL	●	●	
1603SDL	●		●
1604SDL			●

X - Required Holes

Available Backsets
1"
1 1/8"
1 1/4"
1 1/2"



THE 1600 SERIES LOCKS ARE OPERABLE BY ANY STANDARD 1 5/32" DIAMETER MORTISE CYLINDER WITH ADAMS RITE MS CAM DIMENSIONED AS ABOVE

Standard 1600SDL Deadbolt Template
All Backsets

T-ALH.1600SDL