



# ACCURATE LOCK & HARDWARE

AMERICAN CRAFTED SINCE 1972

---

## G-CYL-NDE + GO-CYL-NDE SERIES

CYLINDRICAL GLASS PATCH FOR SCHLAGE® NDE SERIES WIFI LOCK

## G-CYL-NDE SERIES

Designed to work with the Schlage® NDE Series Wifi Lock, this patch makes it compatible with glass wall partition systems with frameless openings. The G-CYL-NDE Patch houses the cylindrical lock to provide a contemporary and sleek solution for swinging glass door applications. The two-piece patch kit will support NDE with or without the door positioning switch.



# G-CYL-NDE + GO-CYL-NDE Series

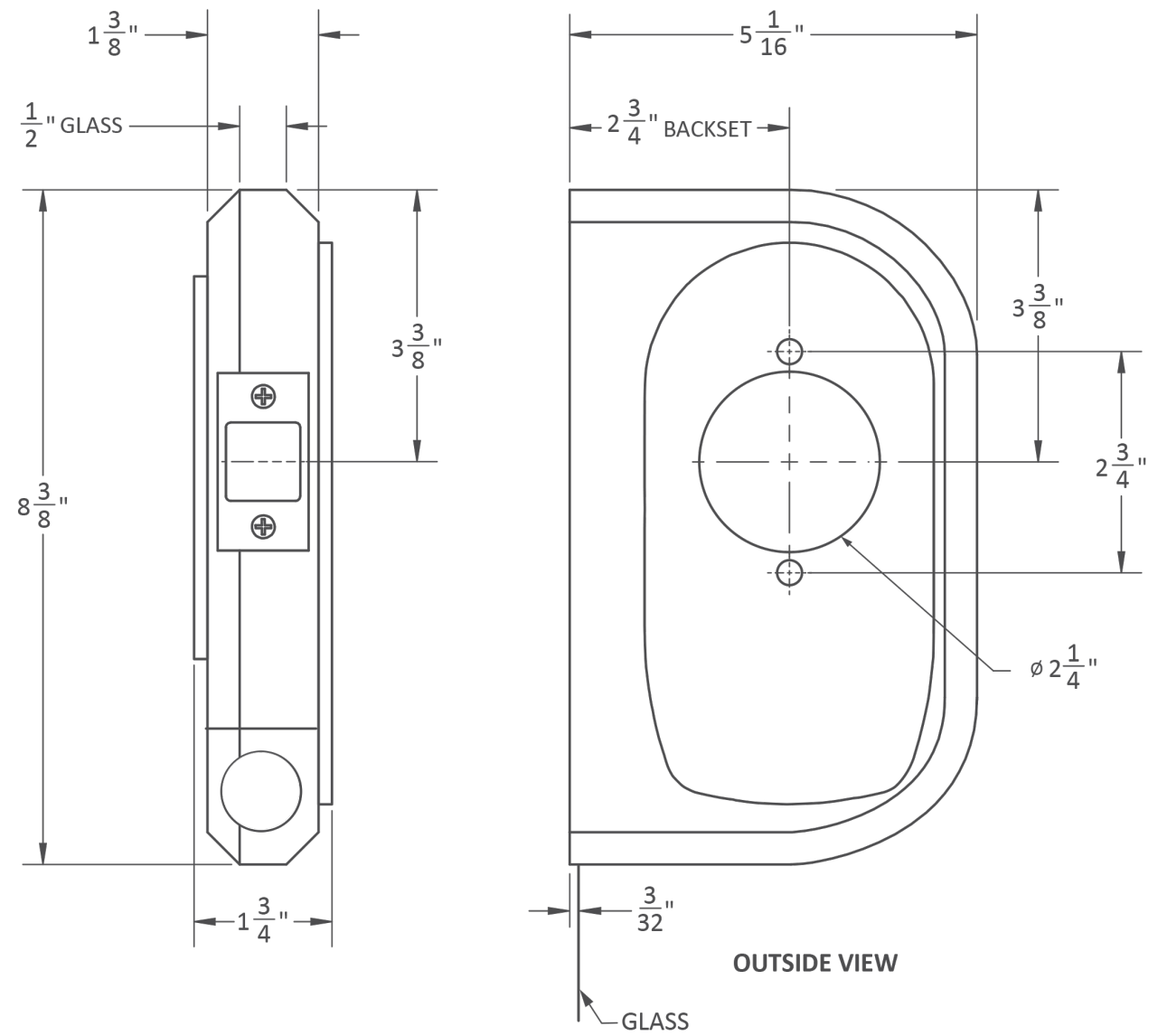
## GLASS PATCH FOR SCHLAGE® NDE WIFI LOCKS

- Available centered on glass (G-CYL-NDE) or offset on glass (GO-CYL-NDE)
- Designed for glass wall partition systems with frameless openings
- Standard set up is for 2<sup>3</sup>/<sub>4</sub>" backset onto 1/2" thick tempered glass
- Designed to work with all versions of the Schlage® G-CYL-NDE. (Will support NDE with or without door positioning switch.)
- Note: Schlage® NDE Cylindrical locks to be supplied by others and can be installed onsite once G-CYL-NDE patch is installed.

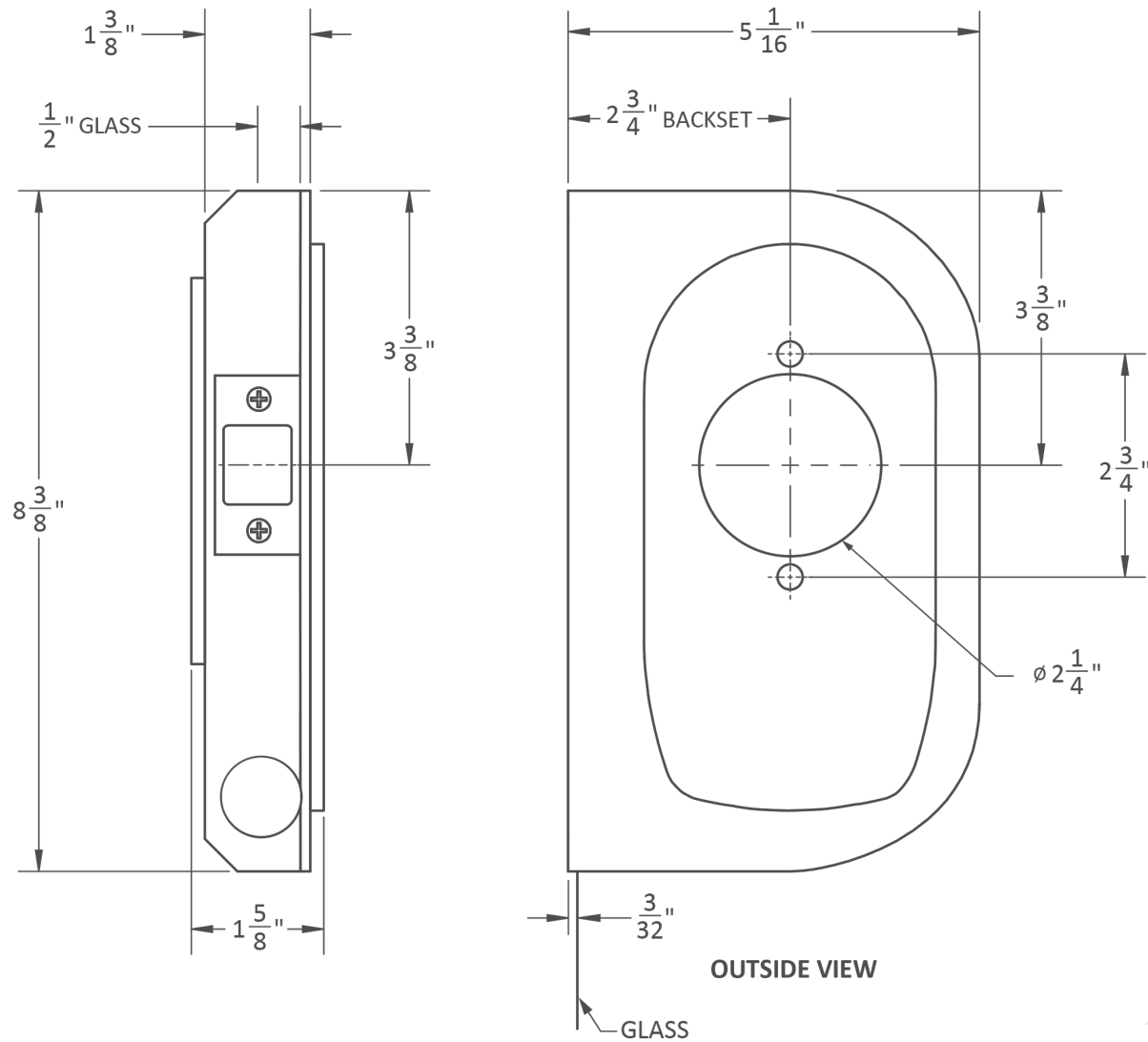


**G-CYL-NDE Patch with G-CYL-NDE-GPS**  
*(strike specified and sold separately)*

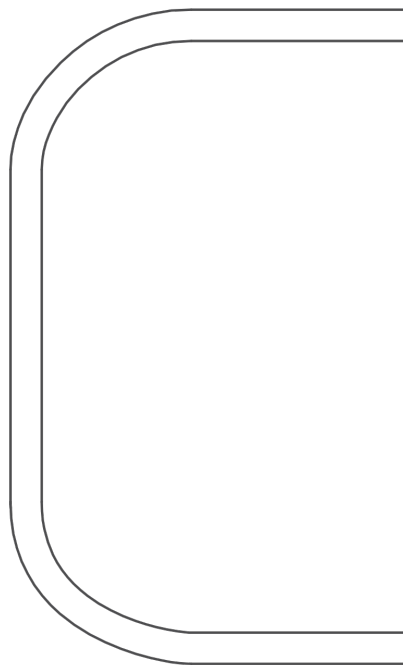
# G-CYL-NDE Centered on Glass Patch Dimensions



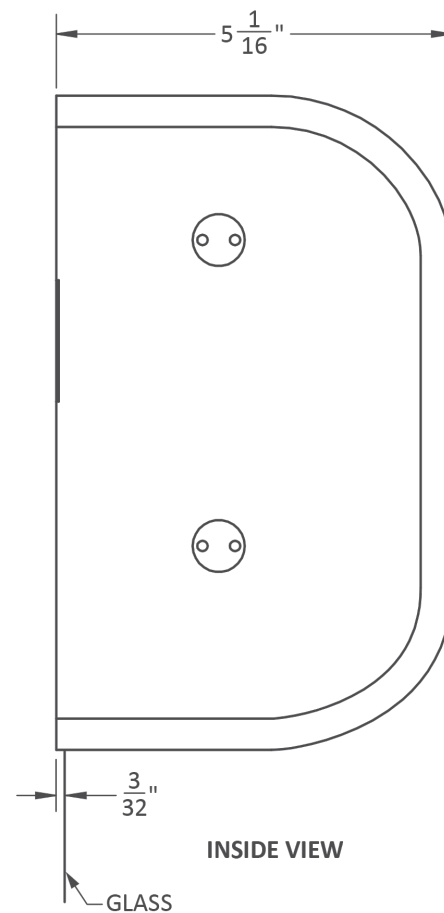
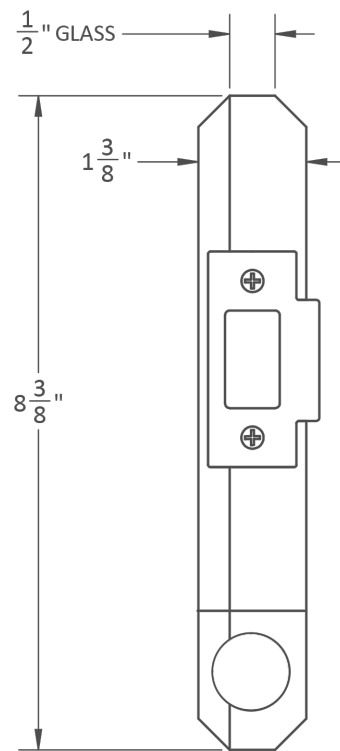
# GO-CYL-NDE Offset on Glass Patch Dimensions



# G-CYL-NDE-GPS Glass Patch Strike



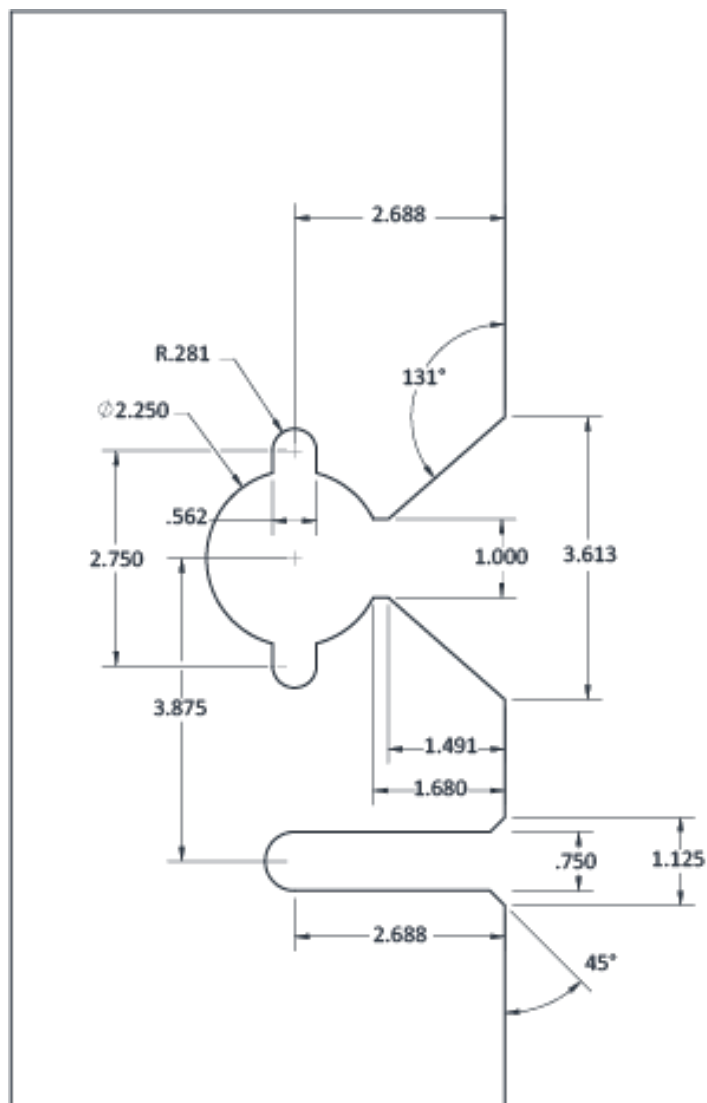
OUTSIDE VIEW



INSIDE VIEW

**G-CYL-NDE-GPS GLASS PATCH STRIKE  
(specified and sold separately)**

# G-CYL-NDE Glass Prep Template



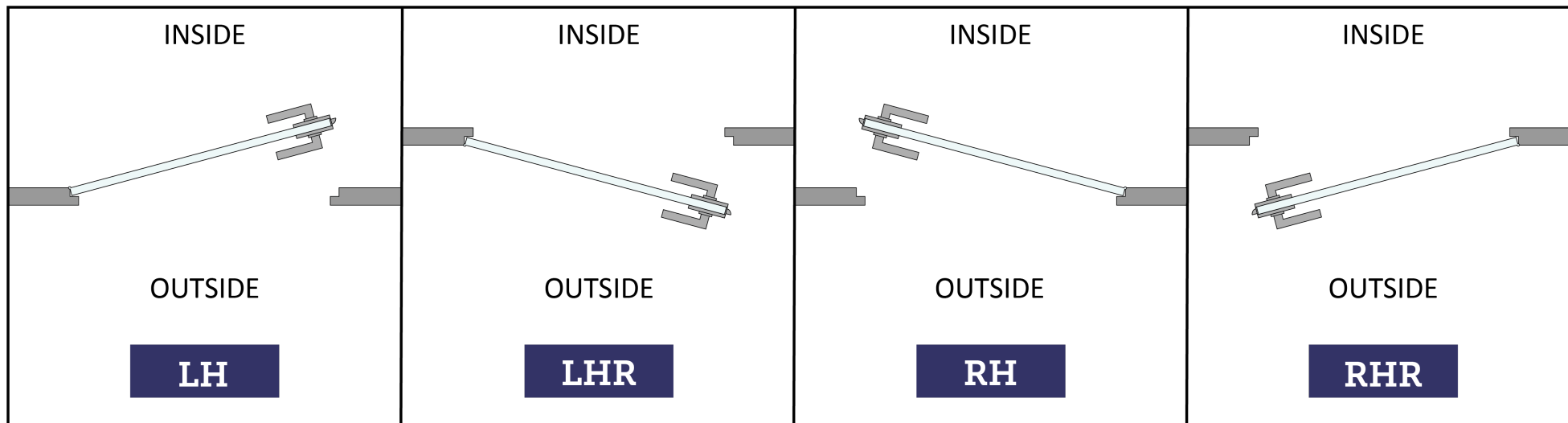
For use with:  
 G-CYL-NDE  
 GO-CYL-NDE  
 G-CYL-NDE-GPS

Note: GPS = glass patch strike  
 (G-CYL patch locks and  
 patch strikes are  
 prepped the same)

G-CYL-NDE GLASS TEMPLATE

# HOW TO SPECIFY

## HANDING



## FINISHES

US28, ESN, US19

Other finishes available, please [contact us](#) for assistance.



# G-CYL-NDE | HOW TO SPECIFY

**MODEL**.**BACKSET**.**SCHLAGE-NDE**.**FINISH**.**HAND**.**DOORTHICKNESS**.**STRIKEOPTION**

**MODEL**  
G-CYL-NDE  
GO-CYL-NDE

**BACKSET**  
Standard 2<sup>3</sup>/<sub>4</sub>"  
Backset

**LOCK SERIES**  
Manufacturer's  
Lock Series

**FINISHES**  
See available  
finishes (pg. 8)

**DOOR THICKNESS**  
Standard 1/2" glass  
door

**STRIKE OPTION**  
G-CYL-NDE-GPS

*\*Strike Patches are specified and sold separately.*

## EXAMPLES

**Glass Patch | Centered | To Accept Schlage NDE Series | Matching Patch Strike**

E.g. G-CYL-NDE.234.SCHLAGE-NDE.US19.RH.1/2.G-CYL-NDE-GPS

**Glass Patch | Centered | To Accept Schlage NDE Series | No Strike**

E.g. G-CYL-NDE.234.SCHLAGE-NDE.US19.LH.1/2

**Glass Patch | Offset | To Accept Schlage NDE Series | No Strike**

E.g. GO-CYL-NDE.234.SCHLAGE-NDE.US28.RH.1/2

## NOTES

- Schlage® NDE to be supplied by others and can be installed onsite once G-CYL-NDE patch is installed.
- Patch Kit is designed to work with all versions of the Schlage® G-CYL-NDE lock. Will support NDE with or without door positioning switch.
- Glass Patch Strikes specified and sold separately.

**ACCURATE LOCK & HARDWARE  
MANUFACTURERS OF LOCKS AND  
CUSTOM ARCHITECTURAL HARDWARE**

1 Annie Place | Stamford, CT 06902

**P:** 203.348.8865

**F:** 203.348.5234

**E:** sales@accuratelockandhardware.com

**www.accuratelockandhardware.com**



**AMERICAN CRAFTED  
— SINCE 1972 —**