



ACCURATE
LOCK & HARDWARE
AMERICAN CRAFTED SINCE 1972

M9100ELR Motor Drive Electrified Latch Retraction Mortise Lock

ALLOWS TOUCHLESS ENTRY FOR INFECTION CONTROL

MOTOR DRIVE ELECTRIFIED LATCH RETRACTION MORTISE LOCK

For commercial or residential use, the new M9100ELR utilizes Motor Drive Electrification to retract the latch of the mechanical lock allowing access without grasping exterior door hardware. Also ideal for power operated openings that facilitate accessibility/ADA compliance.

This electrified solution helps stop the spread of infection by allowing access with a simple push.



M9100ELR latch retracts without exterior trim

M9100ELR Motor Drive Electrified Latch Retraction

DOOR LOCKED

Door is locked when latch is extended.



DOOR UNLOCKED

When the hands-free motion detector* is activated, latch is retracted to open door.



***Note: Access Control Components by Others.**

M9100ELR lock is ideal to pair with a low energy power operator (by others).

M9100ELR Product Benefits

LONGER LIFE

- Adaptable to new technology

SAVE POWER, SAVE MONEY

- A motor drive lock costs significantly less per year to operate at \$0.25, compared to a solenoid lock that costs \$8.33*

STAY COOL

- Low current draw produces minimal heat eliminated “hot levers”

BE GREEN

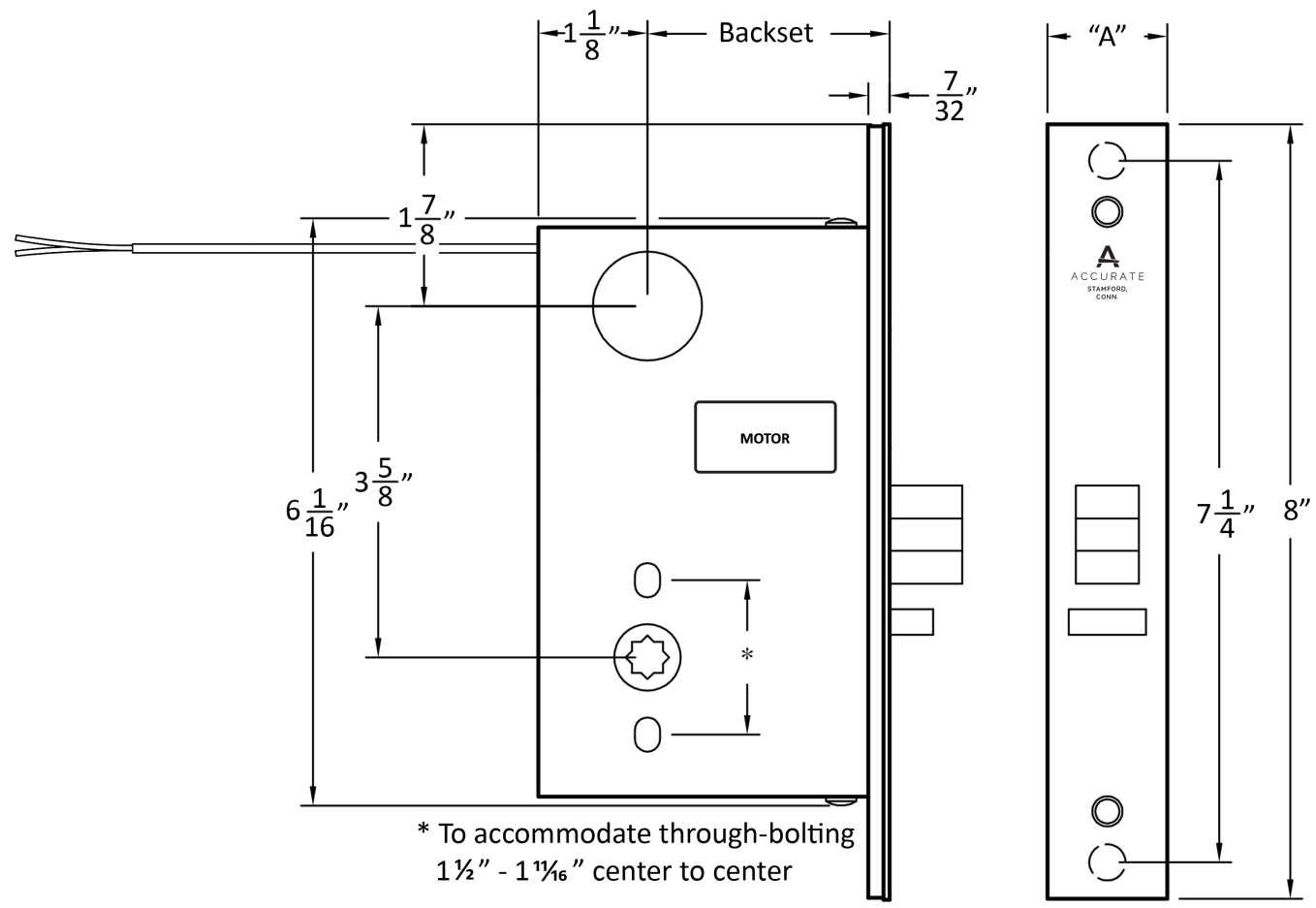
- Low power requirement is ideal for environmentally friendly access control systems

SMOOTH OPERATION

- Ample power to overcome sideload on latch.



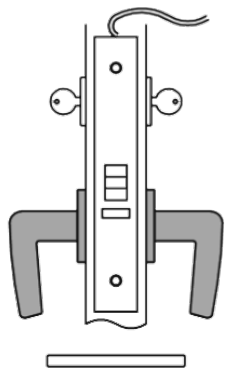
M9100ELR Dimensions



* To accommodate through-bolting
 $1 \frac{1}{2}$ " - $1 \frac{1}{16}$ " center to center

"A" M9100ELR SERIES - $1 \frac{1}{4}$ "
 M9000ELR SERIES - 1"

M9100ELR Technical Details



M9158ELR

Latch bolt by key either side.

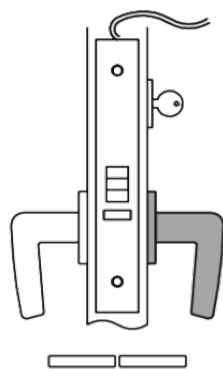
Inside and outside trim always rigid.

Auxiliary latch deadlocks latch bolt.

(AE Monitor not available.)

FAIL SECURE OPERATION ONLY:

Latch retracts when power is applied.



M9159ELR

Latch bolt by key outside.

Inside trim always free.

Outside trim always rigid.

Auxiliary latch deadlocks latch bolt.

FAIL SECURE OPERATION ONLY:

Latch retracts when power is applied.

M9058ELR/M9059ELR for doors 1³/₈" minimum (1" armor front)

M9158ELR/M9159ELR for doors 1³/₄" minimum (1¹/₄" armor front)

UL Listed 3 Hour (Mechanics R13846/R27504 and Electronics R10121).

Grade 1 Certified to ANSI/BHMA A156.13.2005 Standard

BACKSETS: 2¹/₂" , 2³/₄" , 3³/₄" , 5" or 6"

OPERATION: Key Cylinder (by others) will override electronics to retract latch bolt

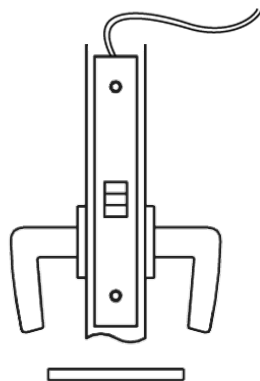
24VDC +/-10%

500mA MAX Inrush

200mA MAX Holding

Non-polarized Leads

M9100ELR Technical Details



M9125ELR

Latch bolt by handle either side.
Inside and outside trim always free.

FAIL SECURE OPERATION ONLY:

Latch retracts when power is applied.

M9025ELR for doors 1³/₈" minimum (1" armor front)

M9125ELR for doors 1³/₄" minimum (1¹/₄" armor front)

UL Listed 3 Hour (Mechanics R13846/R27504 and Electronics R10121).

Grade 1 Certified to ANSI/BHMA A156.13.2005 Standard

BACKSETS: 2¹/₂" , 2³/₄" , 3³/₄" , 5" or 6"

24VDC +/-10%

500mA MAX Inrush

200mA MAX Holding

Non-polarized Leads

M9100ELR Monitoring Function

AE - AUTHORIZED EGRESS*

Also referred to as REQUEST TO EXIT (or REX switch), monitors the use of the INSIDE trim when the OUTSIDE trim is locked.

ELECTRICAL SPECIFICATIONS:

SPDT Mechanical switch

Voltage	Current
125 VAC	1 AMP
30 VDC	0.5 AMP

LMR – LATCH BOLT MONITOR RETRACTED

Dry Contact Non-polarized Leads

CONTACTS RATED:

250mA @30VDC

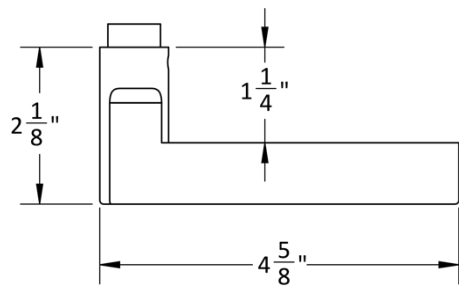
A dry contact closure will occur 0.5 seconds** after the full retraction of the main latch bolt under power and will remain until power is removed or if the main latch bolt unintentionally extends.

*AE Monitoring is not available on TP x TP locks or M9158ELR function.

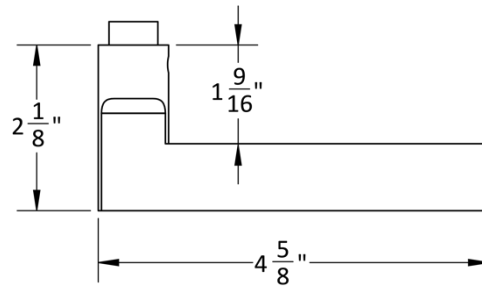
**This translates into 1 second after power is applied to retract the latch.

Accurate Lever Trim

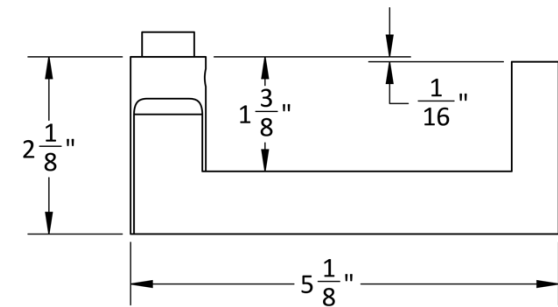
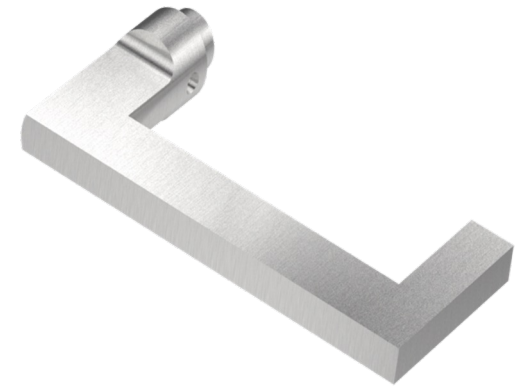
18L LEVER



19L LEVER

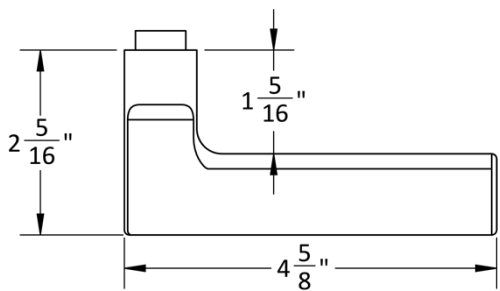


20L LEVER

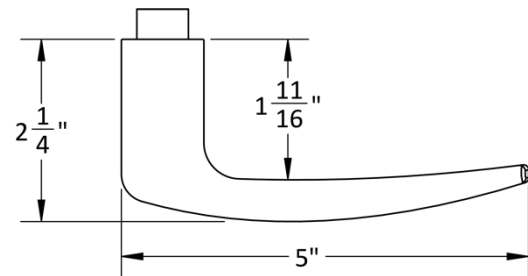


Accurate Lever Trim

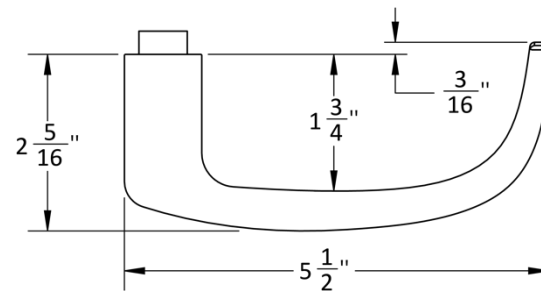
21L LEVER



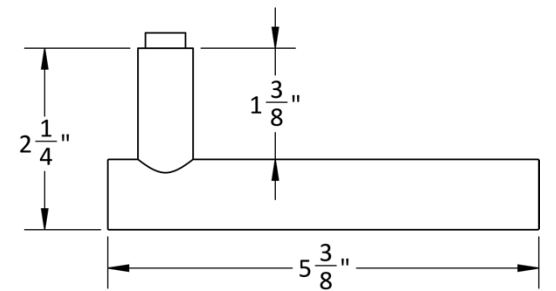
29L LEVER



39L LEVER



72L LEVER

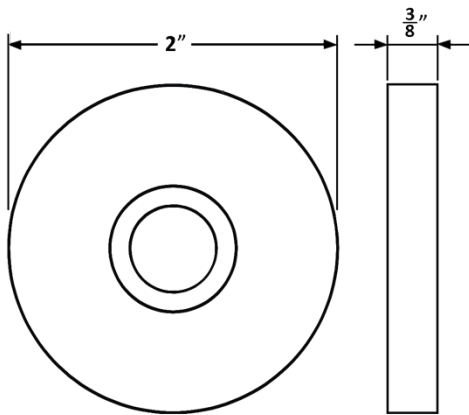


Accurate Rose Options

1R ROSE

Front

Side



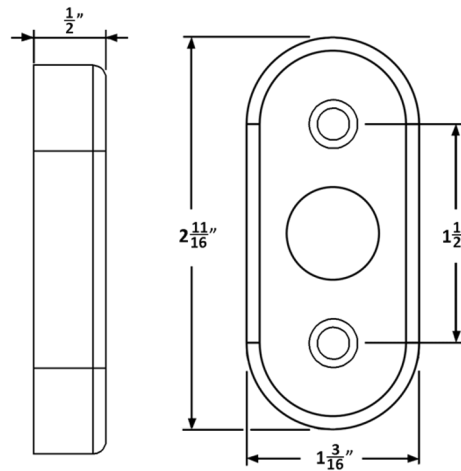
SILENTPAC™ LEVER DAMPENING DISC CAN BE SPECIFIED WITH THE 1R ROSE VISIT SILENTPACSOLUTIONS.COM

2R ROSE

Side

Inside

Outside

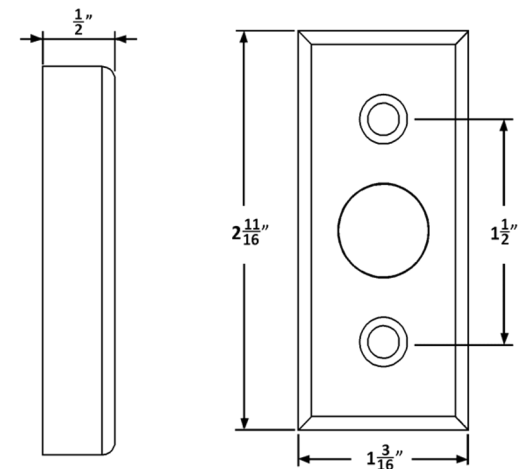


4R ROSE

Side

Inside

Outside

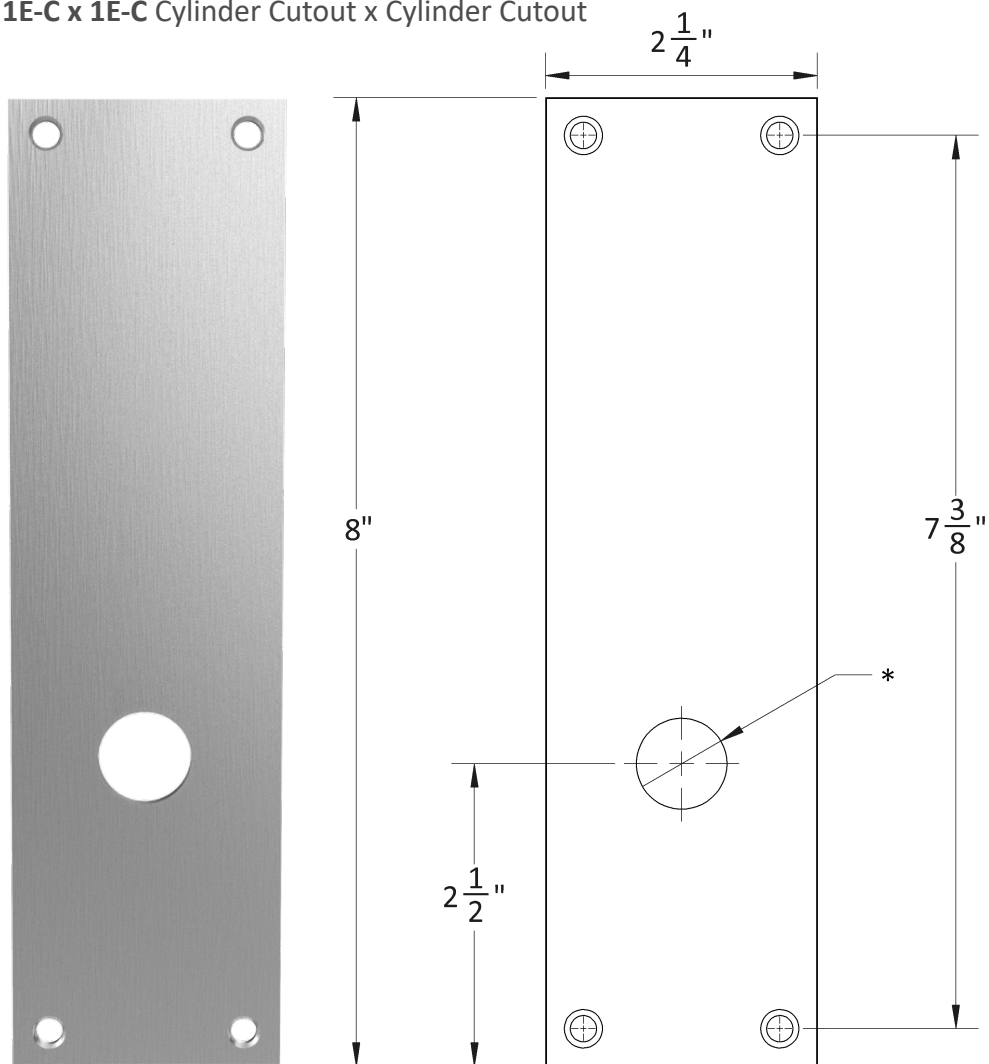


Accurate Escutcheon Options

POSSIBLE ESCUTCHEON COMBINATIONS*:

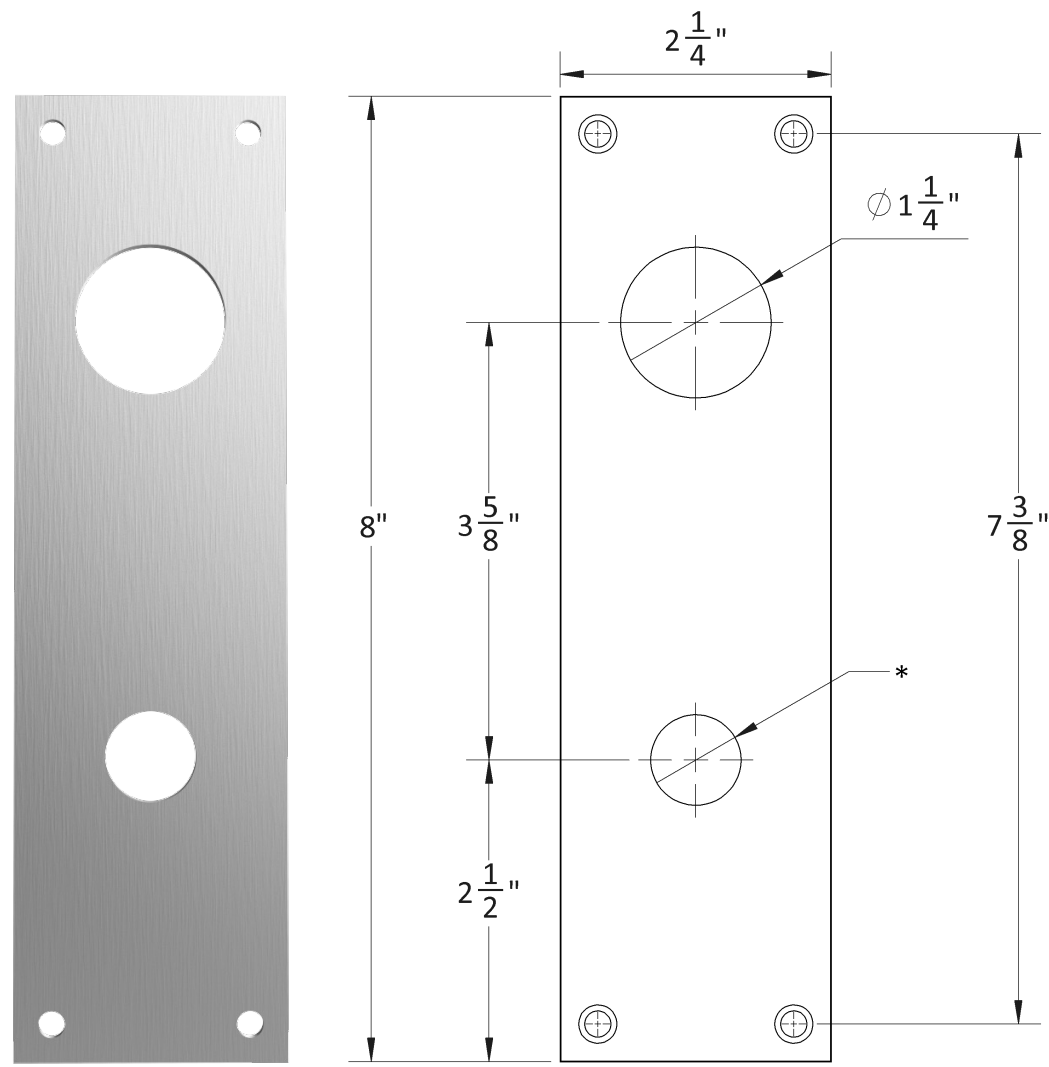
1E-B x 1E-C Blank x Cylinder Cutout

1E-C x 1E-C Cylinder Cutout x Cylinder Cutout



1E-B
Blank

* Dimensions may vary depending on trim

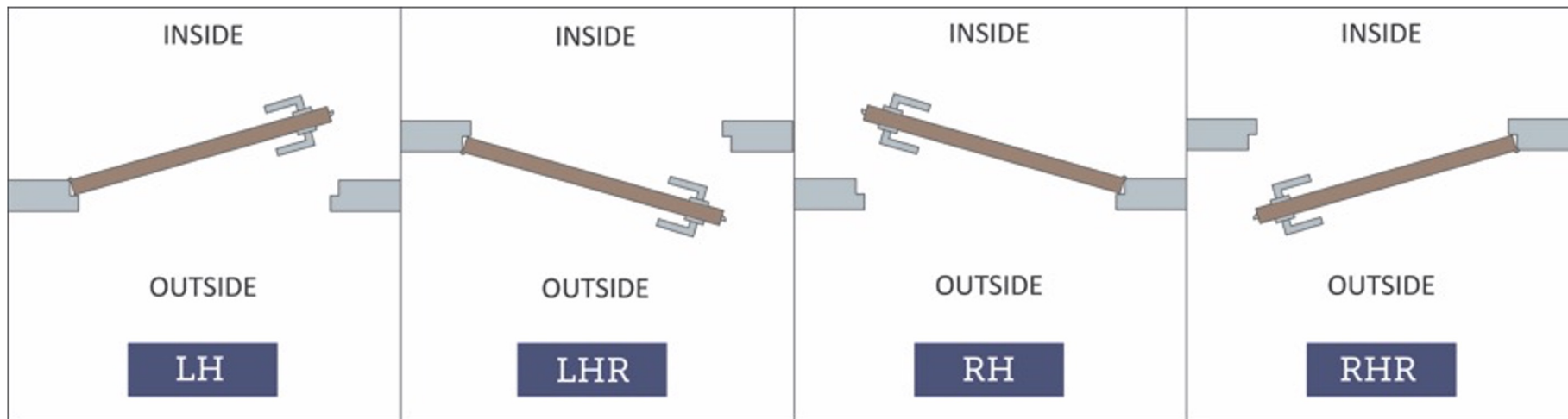


1E-C
Cylinder Cutout

* Dimensions may vary depending on trim

HOW TO SPECIFY

HANDING



FINISHES

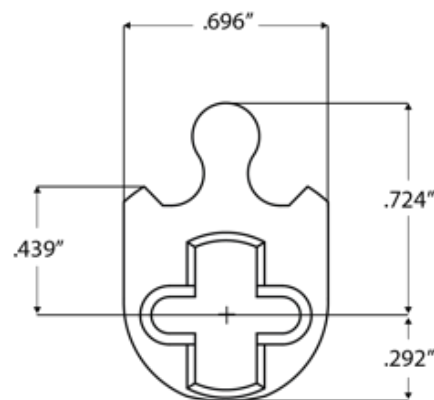
GROUP 1: US4, US4NL, US32D*, US26D

GROUP 2: US3, US3NL, US26, US32*, US9*, US10*, US10B, US14, US15, US19

GROUP 3: BN, BB, TN, TB, DURO, ESN, US15A, US5

* Trim options (including Accurate Levers) may not be available in US32D, US32, US9, or US10 finish. Please call for assistance.

To view example of finishes visit: [Accurate Finishes](#).

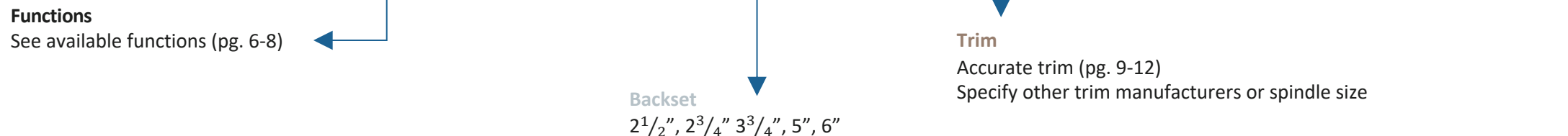


CYLINDERS & KEYING

M9100ELR Series locks accept any standard American mortise cylinder. For details on required cams and compatibility with other manufacturers' cylinders, please visit: [Accurate Support](#).

HOW TO SPECIFY

FUNCTION-MONITOR.BACKSET.TRIM.FINISH.HAND.DOORTHICKNESS



EXAMPLES

Electrified Latch Retraction | Inside Handle Active | Authorized Egress | Accurate Trim
E.g.: M9159ELR-AE.212.29L/2R.US26D.RH.134

Electrified Latch Retraction | Handles Inactive Both Sides | Accurate Trim
E.g.: M9158ELR.234.19L/1R.US4.LH.134

Electrified Latch Retraction | Both Handles Active | Accurate Trim
E.g.: M9125ELR.234.21L/1E.US26D.RH.134

Note: Access Control Components by Others.
M9100ELR lock is ideal to pair with a low energy power operator (by others).

**Note: For compatibility with other manufacturers' trim please call for assistance.*

SPECIAL OPTIONS AVAILABLE

- SS-Security Strikes
- USD K x K Upside Down (cylinder/thumb turn below knobs)
- USD L x L Upside Down (cylinder/thumb turn below levers)
- K x L Knob Outside, Lever Inside
- L x K Lever Outside, Knob Inside
- Compatible with the following add-ons: SilentPac™ Lever Dampening Disc

**ACCURATE LOCK & HARDWARE
MANUFACTURERS OF LOCKS AND
CUSTOM ARCHITECTURAL HARDWARE**

1 Annie Place | Stamford, CT 06902

P: 203.348.8865

F: 203.348.5234

E: sales@accuratelockandhardware.com

www.accuratelockandhardware.com



**AMERICAN CRAFTED
— SINCE 1972 —**