



ACCURATE

LOCK & HARDWARE

AMERICAN CRAFTED SINCE 1972

M8800ELR Motor Drive Electrified Latch Retraction Narrow Backset Mortise Lock

ACCESS CONTROL FOR NARROW STILE DOORS

MOTOR DRIVE ELECTRIFIED LATCH RETRACTION NARROW BACKSET MORTISE LOCK

The M8800ELR utilizes low voltage Motor Drive Electrification to retract the latch of the mechanical lock for easy access when presenting a credential. Outside trim is rigid, active lever on interior.

It is ideal for power operated openings that facilitate accessibility/ADA compliance in commercial settings. The lock also features 'continuous duty' available for doors on hold open schedules.

MOTOR DRIVE ELECTRIFIED
LATCH RETRACTION NARROW
BACKSET MORTISE LOCK

M8800ELR

In a residential setting, this lock is popular on special function openings like wine rooms and offices.

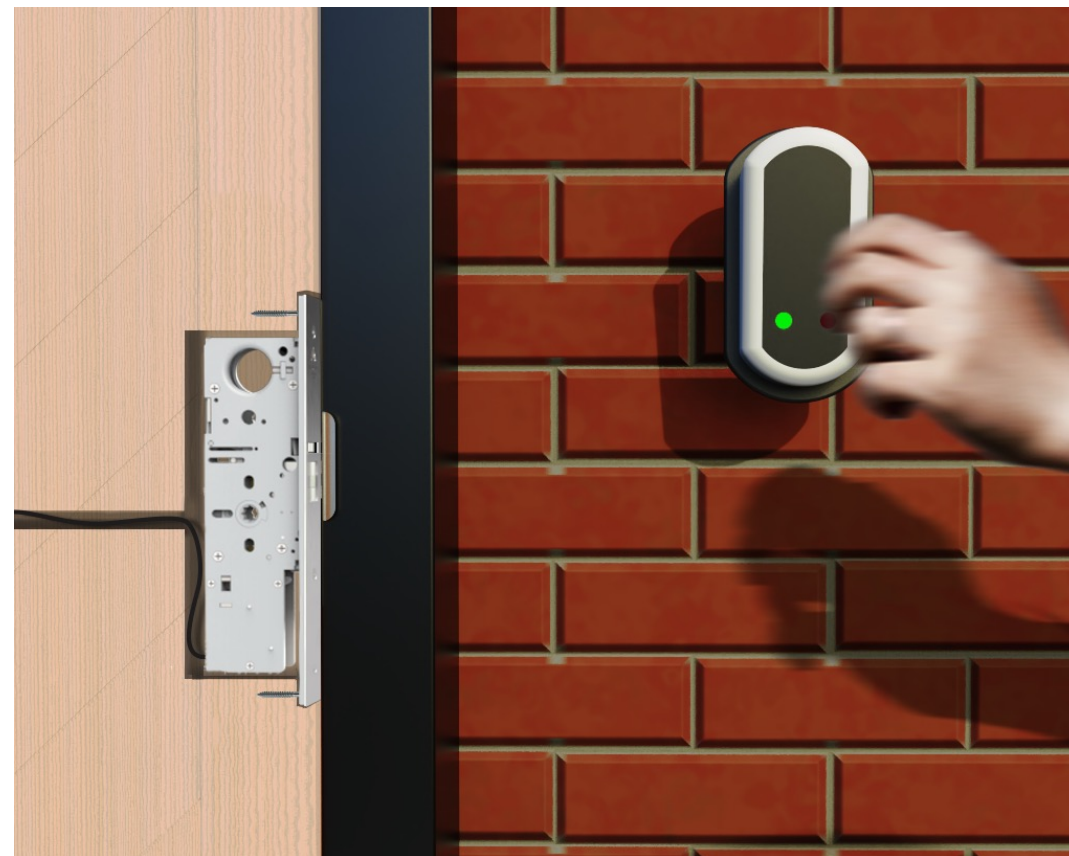
M8800ELR Motor Drive Electrified Latch Retraction

DOOR LOCKED



Door is locked when latch is extended.

DOOR UNLOCKED



When using the credential (hands-free motions detector shown here), latch is retracted to open door.

***Note: Access Control Components by Others.**

M8800ELR lock can be paired with a low energy power operator (by others).

M8800ELR

OPERATION

- Commercial grade mortise lock provides fail secure locking during power outage
- Anti-friction, vandal-resistant latch results in more reliable closing and overall better operation by reducing friction when it engages with the strike.
- Compatible with standard 24VDC power supplies.

EASY INSTALLATION

- Ideal for use in hollow metal frames with standard mortise prep

HOLD OPEN SCHEDULES

- Schedule or program the system to be unlocked during business hours, or certain times of the day (via access control system)

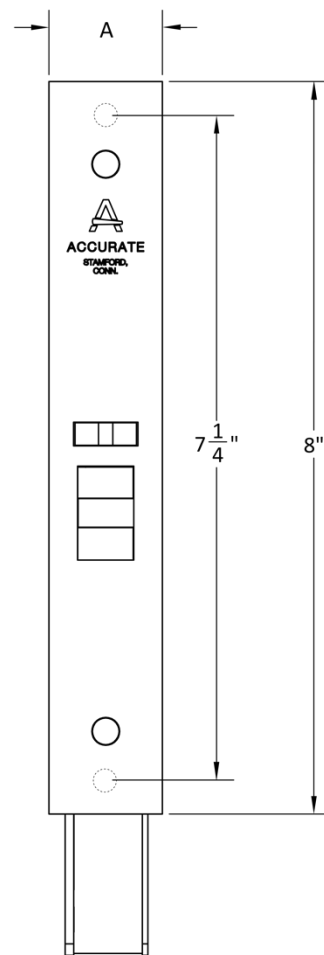
COMMON APPLICATIONS

- Narrow stile pivot entry doors
- Handicapped openings equipped with power operator (restrooms, ADA entry)
- Special function rooms (wine rooms, offices)



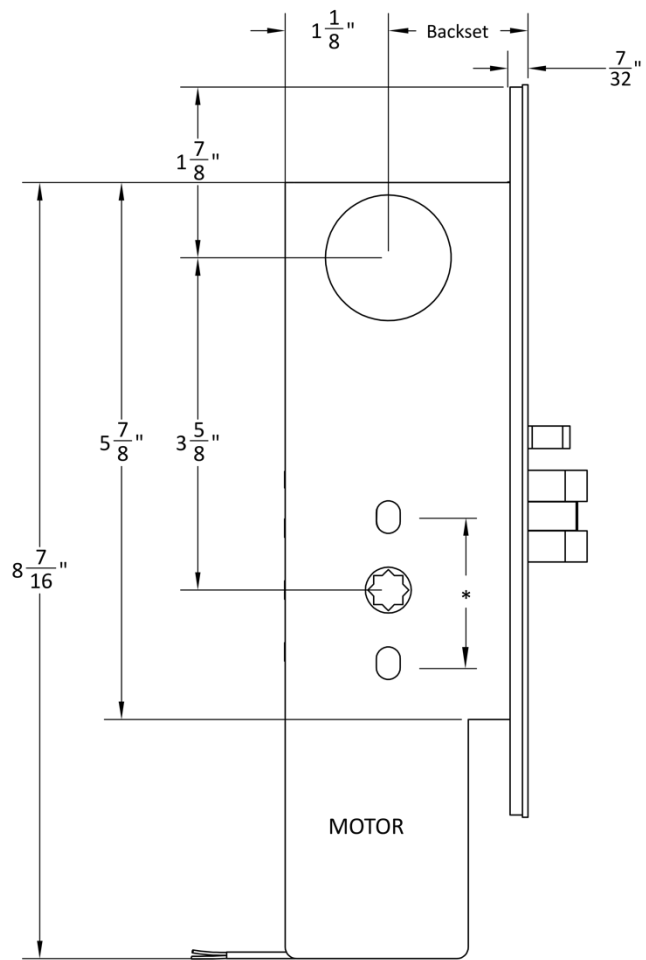
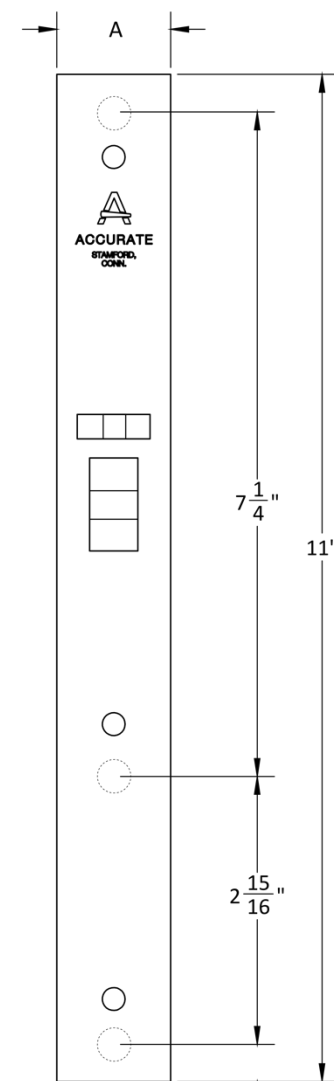
M8800ELR Dimensions

METAL DOOR STANDARD FACEPLATE



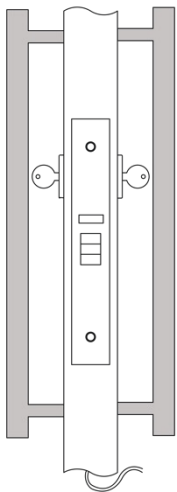
"A" M8800ELR SERIES - 1 1/4"
M8700ELR SERIES - 1"

WOOD DOORS LONG FACEPLATE



* To accommodate through-bolting 1 1/2" - 1 1/16" center to center

M8800ELR Technical Details



M8858ELR

Latch bolt by key either side.

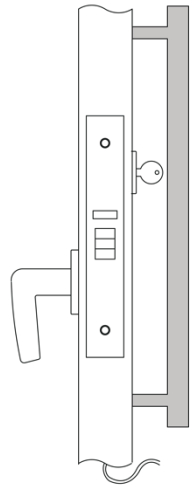
Inside and outside trim always rigid.

Auxiliary latch deadlocks latch bolt.

(AE Monitoring not available.)

FAIL SECURE OPERATION ONLY:

Latch retracts when power is applied.



M8859ELR

Latch bolt by key outside.

Inside trim always free.

Outside trim always rigid.

Auxiliary latch deadlocks latch bolt.

FAIL SECURE OPERATION ONLY:

Latch retracts when power is applied.

M8758ELR/M8759ELR for doors 1" minimum (1" armor front)

M8858ELR/M8859ELR for doors 1¹/₄" minimum (1¹/₄" armor front)

BACKSETS: 1¹/₂" , 1³/₄" , 2" , 2¹/₄"

OPERATION:

Key Cylinder (by others) will override electronics to retract latch bolt.

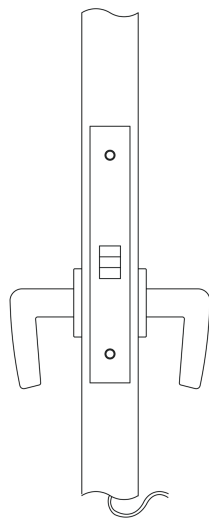
24VDC +/-10%

500mA MAX Inrush

200mA MAX Holding

Non-polarized Leads

M8800ELR Technical Details



M8825ELR

Latch bolt by handle either side.
Inside and outside trim always free.

FAIL SECURE OPERATION ONLY:
Latch retracts when power is applied.

M8725ELR/M8725ELR for doors 1" minimum (1" armor front)
M8825ELR/M8825ELR for doors 1¹/₄" minimum (1¹/₄" armor front)

BACKSETS: 1¹/₂" , 1³/₄" , 2" , 2¹/₄"

OPERATION:
24VDC +/-10%
500mA MAX Inrush
200mA MAX Holding
Non-polarized Leads

Optional Monitoring Functions

AE - AUTHORIZED EGRESS

Also referred to as REQUEST TO EXIT (or REX switch), monitors the use of the INSIDE trim when the OUTSIDE trim is locked.*

ELECTRICAL SPECIFICATIONS:

SPDT Mechanical switch

Voltage	Current
125 VAC	1 AMP
30 VDC	0.5 AMP

LM – LATCH BOLT MONITORING

(Available on 1³/₄" backset and larger.)

Monitors the full extension of the main latch.

ELECTRICAL SPECIFICATIONS:

SPDT Mechanical switch

Voltage	Current
125 VAC	1 AMP
30 VDC	0.5 AMP

LMR – LATCH BOLT MONITOR RETRACTED

Dry Contact Non-polarized Leads

CONTACTS RATED:

250mA @30VDC

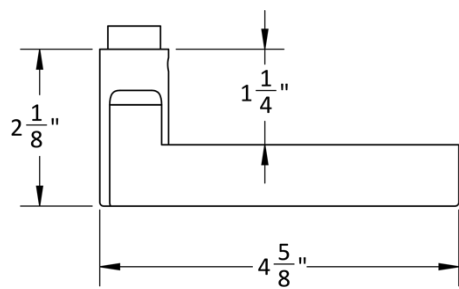
A dry contact closure will occur 0.5 seconds** after the full retraction of the main latch bolt under power and will remain until power is removed or if the main latch bolt unintentionally extends.

*Not available on M8858ELR.

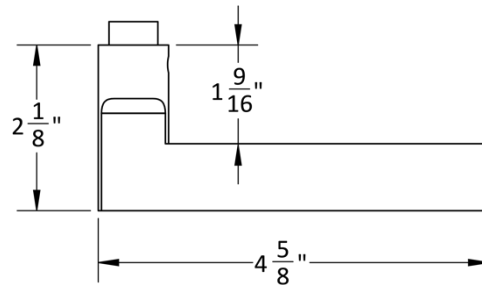
**This translates into 1 second after power is applied to retract the latch.

Accurate Lever Trim

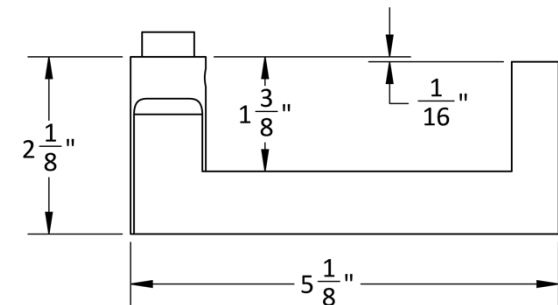
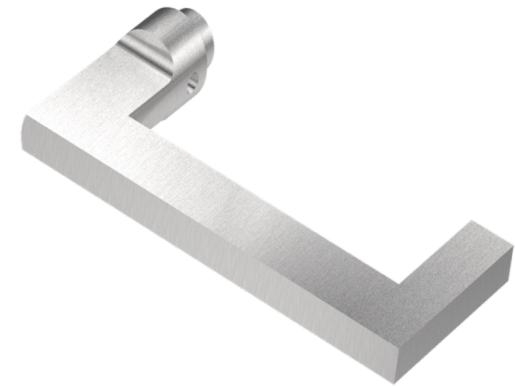
18L LEVER



19L LEVER

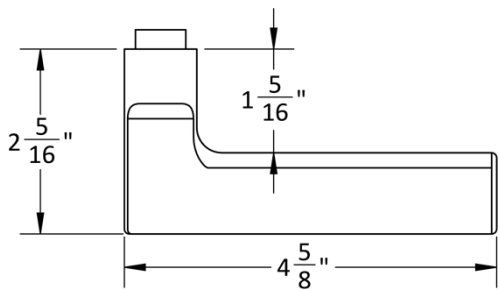


20L LEVER

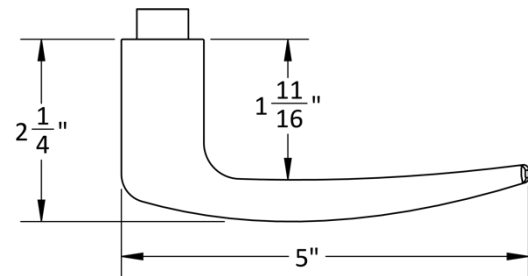


Accurate Lever Trim

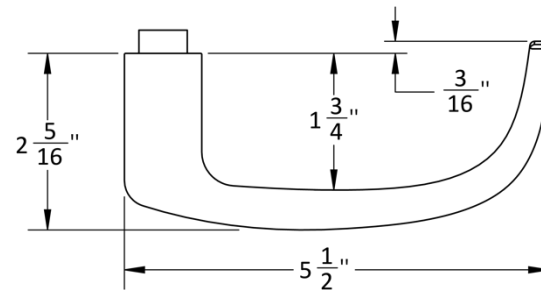
21L LEVER



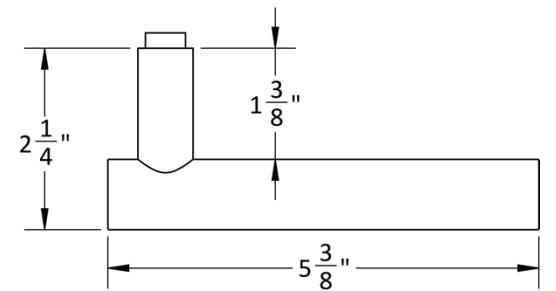
29L LEVER



39L LEVER



72L LEVER

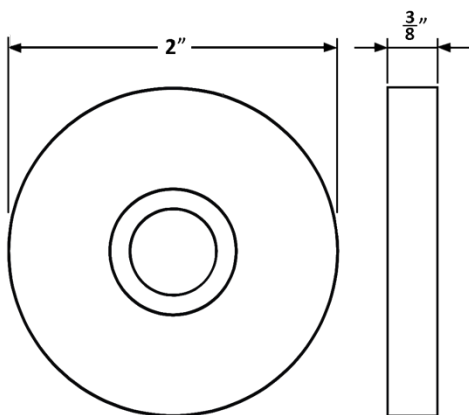


Accurate Rose Options

1R ROSE

Front

Side



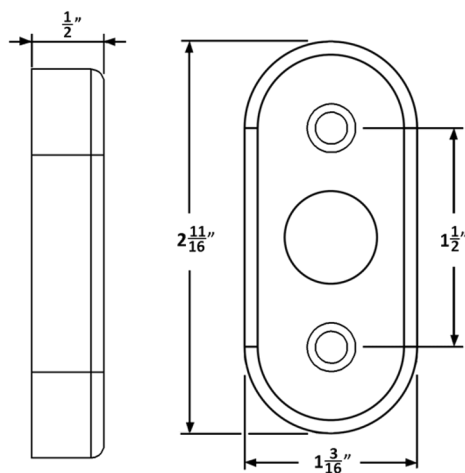
SILENTPAC™ LEVER DAMPENING DISC CAN BE SPECIFIED WITH THE 1R ROSE VISIT SILENTPACSOLUTIONS.COM

2R ROSE

Side

Inside

Outside

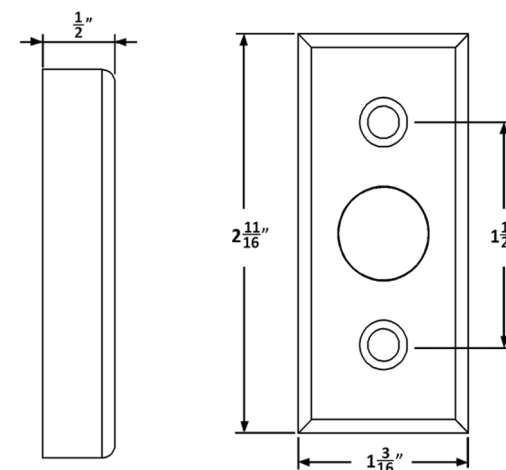


4R ROSE

Side

Inside

Outside



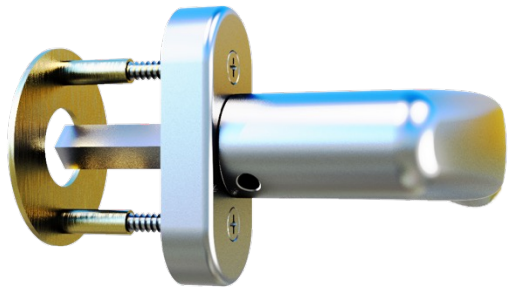
Through-Bolting Option

SSD SINGLE SIDED DISC

Facilitates through-bolting for half sided trim.

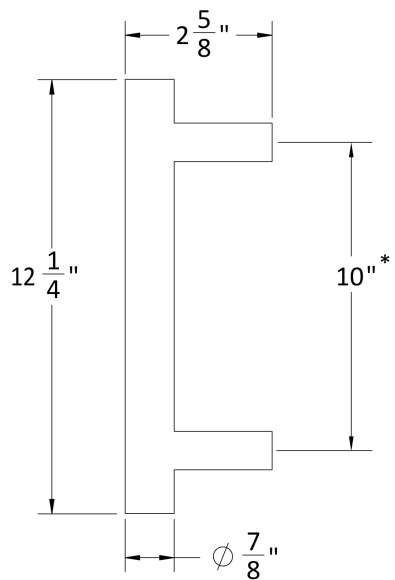
Must be attached to lock prior to installation.

SSD SINGLE SIDED THROUGH-BOLTING DISC

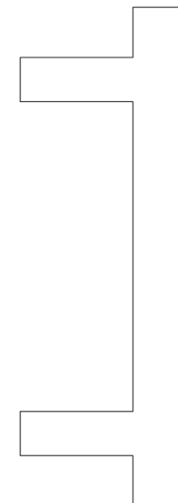
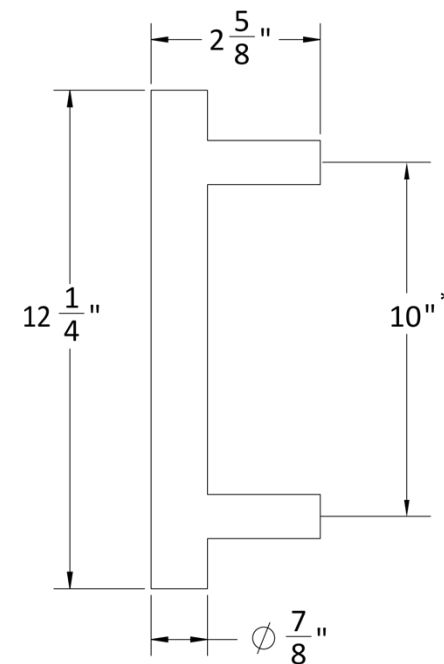


Accurate Trim

**7200P-S-10
SINGLE RIGID PULL**



**7200P-10
DOUBLE SIDED PULL**



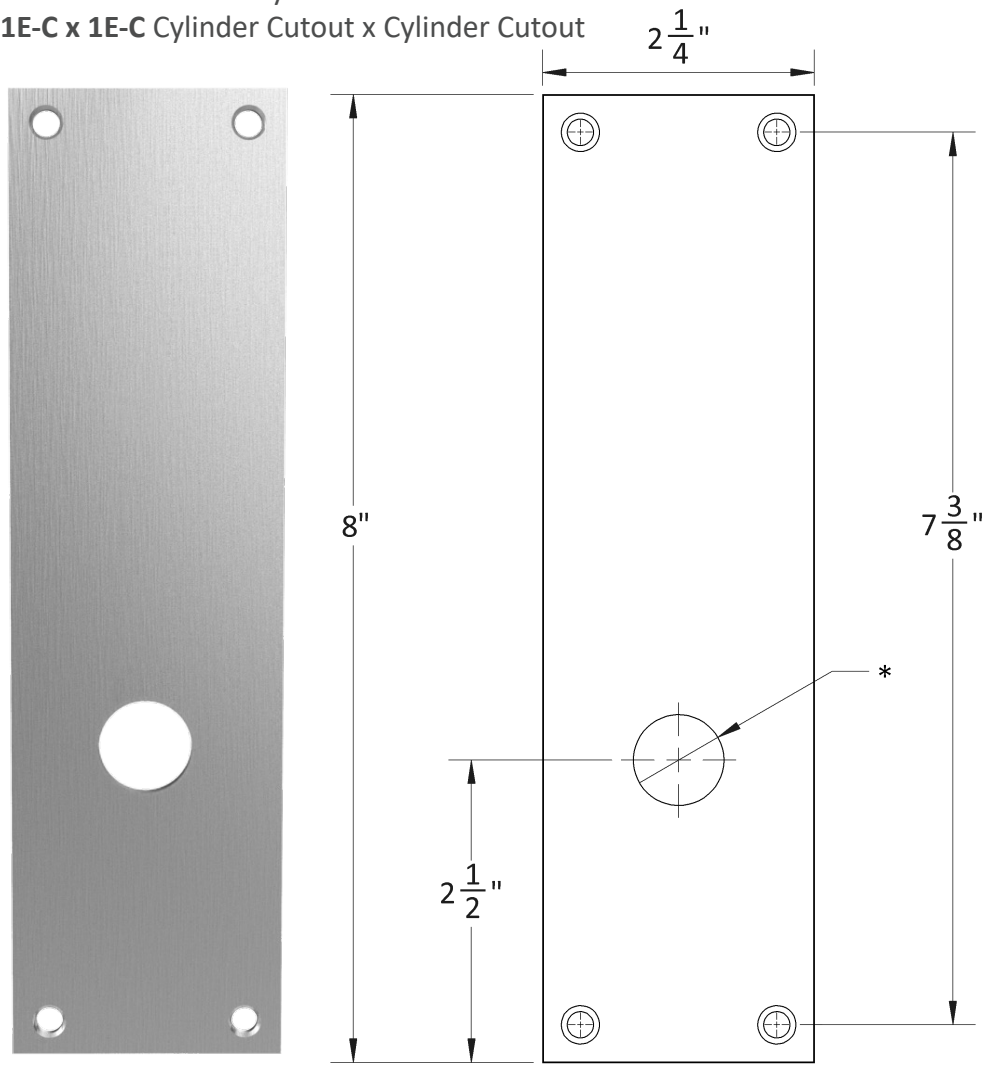
*10" minimum center to center dimension. Custom sizes available.

Accurate Escutcheon Options

POSSIBLE ESCUTCHEON COMBINATIONS*:

1E-B x 1E-C Blank x Cylinder Cutout

1E-C x 1E-C Cylinder Cutout x Cylinder Cutout

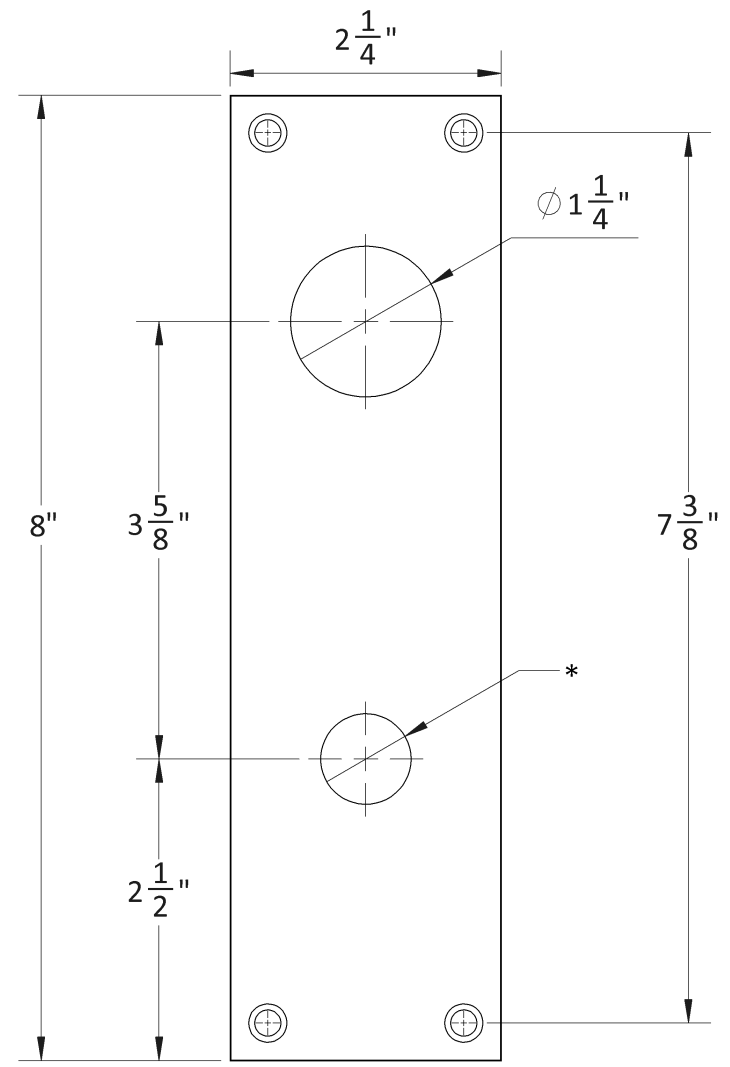


1E-B
Blank

* Dimensions may vary depending on trim



1E-C
Cylinder Cutout

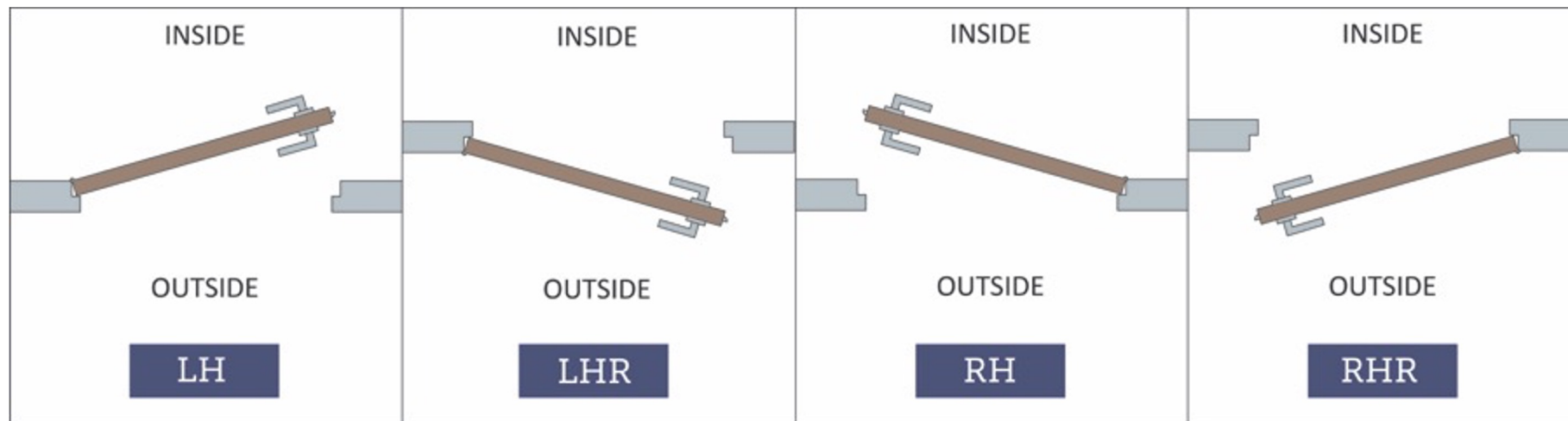


* Dimensions may vary depending on trim

Escutcheons can be surface mounted only.

HOW TO SPECIFY

HANDING



FINISHES

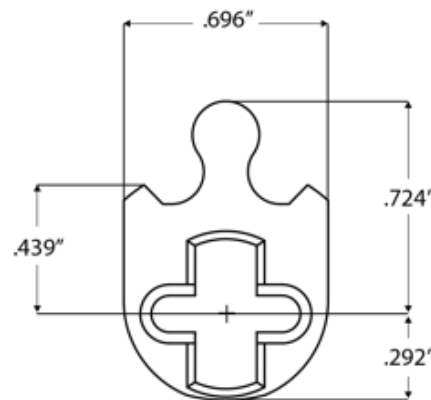
GROUP 1: US4, US4NL, US32D*, US26D

GROUP 2: US3, US3NL, US26, US32*, US9*, US10*, US10B, US14, US15, US19

GROUP 3: BN, BB, TN, TB, DURO, ESN, US15A, US5, US19LL

* Trim options (including Accurate Levers) may not be available in US32D, US32, US9, or US10 finish. Please call for assistance.

To view example of finishes visit: [Accurate Finishes](#).



CYLINDERS & KEYING

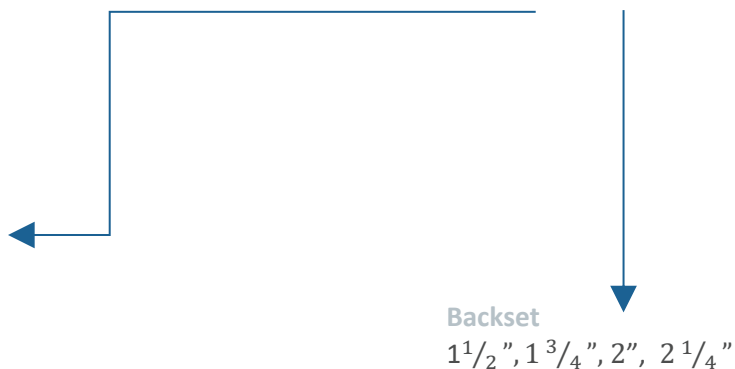
M8800ELR Series locks accept any standard American mortise cylinder. For details on required cams and compatibility with other manufacturers' cylinders, please visit: [Accurate Support](#).

HOW TO SPECIFY

FUNCTION-MONITOR.BACKSET.TRIM.FINISH.HAND.DOORTHICKNESS

Functions

See available functions (pg. 7-8)



Trim

Accurate trim (pg. 9-14)
Specify other trim manufacturers or spindle size.

Finishes

See available finishes (pg. 15)

EXAMPLES

Electrified Latch Retraction | Inside Handle Active/Rigid Pull | Authorized Egress

E.g.: M8859ELR-AE.112.29L/2R/7200P-S-10.US26D.RH.134

Electrified Latch Retraction | Pair of Rigid Pulls

E.g.: M8858ELR.2.7200P-10.US4.LH.134

Electrified Latch Retraction | Both Handles Active | Accurate Trim

E.g.: M8825ELR.214.21L/1E.US26D.RH.134

Note: Access Control Components by Others.

M8800ELR lock is ideal to pair with a low energy power operator (by others).

SPECIAL OPTIONS AVAILABLE

- SS-Security Strikes
- USD K x K Upside Down (cylinder/thumb turn below knobs)
- USD L x L Upside Down (cylinder/thumb turn below levers)

**Note: For compatibility with other manufacturers' trim please call for assistance.*

**ACCURATE LOCK & HARDWARE
MANUFACTURERS OF LOCKS AND
CUSTOM ARCHITECTURAL HARDWARE**

1 Annie Place | Stamford, CT 06902

P: 203.348.8865

F: 203.348.5234

E: sales@accuratelockandhardware.com

www.accuratelockandhardware.com



**AMERICAN CRAFTED
— SINCE 1972 —**