



ACCURATE LOCK & HARDWARE

AMERICAN CRAFTED SINCE 1972

M9134ELR

MOTOR DRIVE ELECTRIFIED LATCH RETRACTION MORTISE LOCK WITH DEADBOLT



**MOTOR DRIVE ELECTRIFIED
LATCH RETRACTION
MORTISE LOCK WITH
DEADBOLT**

M9134ELR

For commercial or residential use, the M9134ELR utilizes low voltage Motor Drive Electrification to retract the latch and deadbolt of the mechanical lock when a credential is presented allowing access without grasping exterior door hardware. Pair with a rigid pull (or flush push plate) on the outside, active trim on the inside.

M9134ELR Motor Drive Electrified Latch Retraction

DOOR LOCKED

Door is locked when latch is extended.
Deadbolt can be thrown for extra security.



DOOR UNLOCKED

When the hands-free motion detector* is activated,
latch and deadbolt (if extended) will retract.**



**For applications requiring the deadbolt not to retract via electronics,
please add DM Monitor and program access control system accordingly.

***Note: Access Control Components by Others.**

M9134ELR lock is ideal to pair with a low energy power operator (by others).

M9134ELR Product Benefits

OPERATION

- Commercial grade mortise lock provides fail secure locking during power outage.
- Compatible with standard 24VDC power supplies.

EASY INSTALLATION

- Ideal for use in hollow metal frames with standard mortise prep. (Solid wood door applications achieved by special door preparation.)

HOLD OPEN SCHEDULES

- Schedule or program the system to be unlocked during certain times of the day via access control system (e.g. party mode).

APPLICATIONS

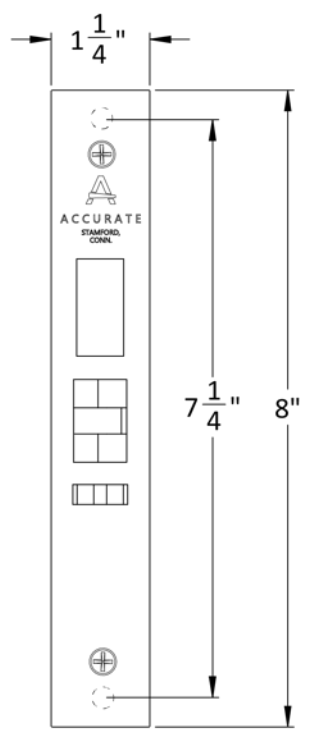
- Provides security against physical attack for individual office suites, residences and a variety of entrances that require enhanced protection.





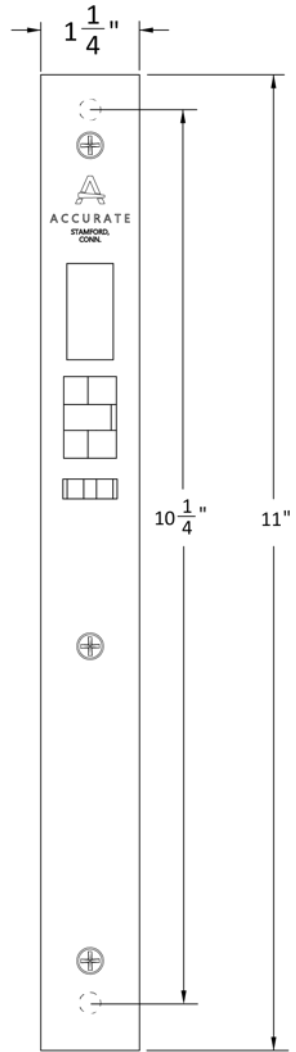
M9134ELR

METAL DOOR STANDARD FACEPLATE



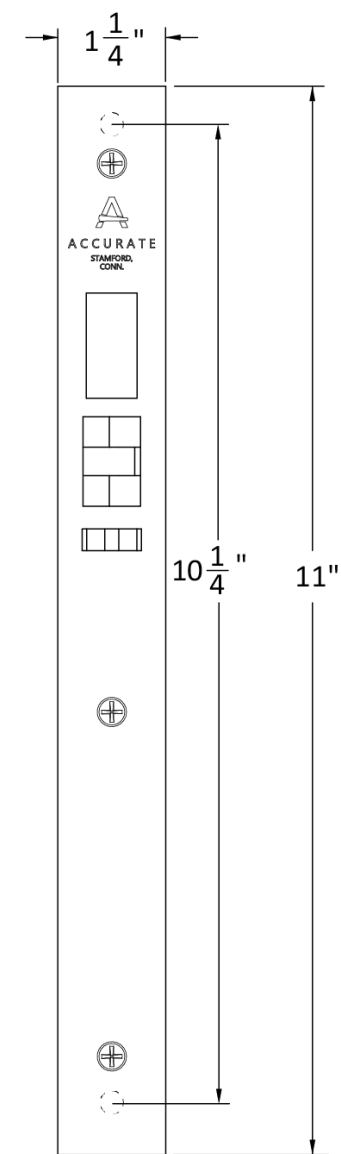
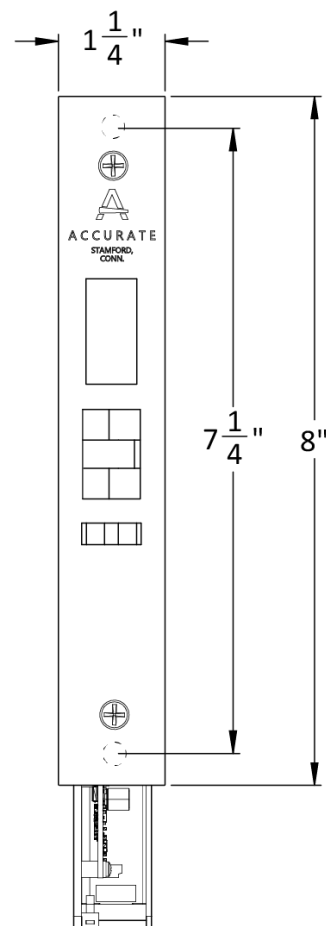
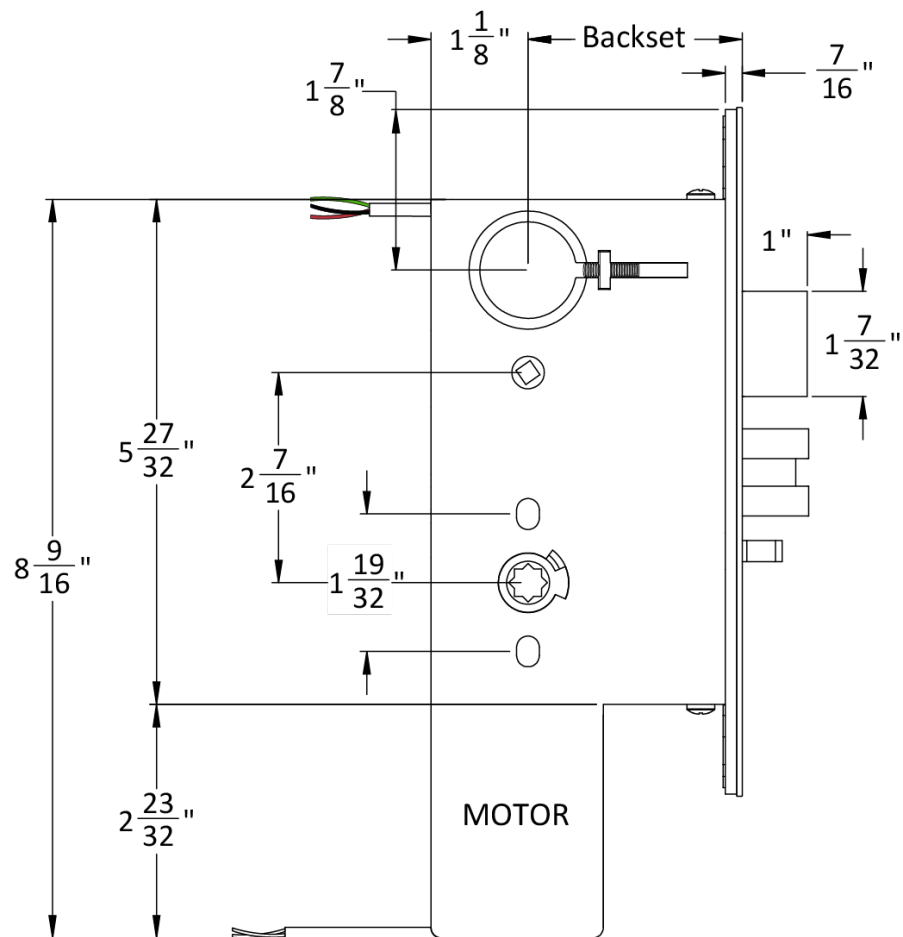
1 3/4" THICK DOOR MINIMUM

WOOD DOOR LONG FACEPLATE



1 3/4" THICK DOOR MINIMUM

M9134ELR Dimensions

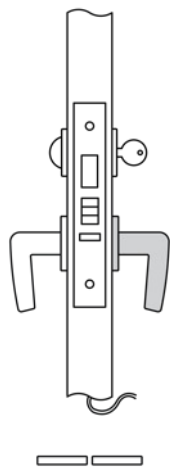


1 $\frac{3}{4}$ " THICK DOOR MINIMUM

Backset 2 $\frac{1}{2}$ " or 2 $\frac{3}{4}$ "

Larger and custom backsets are available upon request.

M9134ELR Technical Details



M9134ELR

Rotating inside handle or using electronics simultaneously retract latch and deadbolt (when extended).*

Latch bolt by key outside or using electronics, egress by handle inside.

Deadbolt manually projected by thumb turn inside or key outside.

Outside trim (if applicable) always rigid.

FAIL SECURE OPERATION ONLY: Latch retracts when power is applied.

**For applications requiring the deadbolt not to retract the latch via electronics, please add DM Monitor and program access accordingly.*

M9134ELR for doors $1\frac{3}{4}$ minimum ($1\frac{1}{4}$ " armor front)

UL Listed 3 Hour (Mechanics R13846/R27504 and Electronics R10121).

Grade 1 Certified to ANSI/BHMA A156.13.2005 Standard.

BACKSETS: $2\frac{1}{2}$ " , $2\frac{3}{4}$ " (larger backsets available upon request).

Key Cylinder (by others) will override electronics to retract latch bolt and deadbolt (if projected).

Outside trim always rigid.

Voltage: 24VDC (21VDC – 30VDC).

Current: 625mA MAX Inrush, 150mA MAX Holding.

Non-polarized Leads.

Optional Monitoring Functions

M9134ELR Allowable Monitoring Combinations

Applies to: M9134ELR | All Backsets

Standard and Upside Down (USD) Configurations

AE Authorized Egress Inside Hub When Outside Locked	DM Deadbolt Monitoring	LMR Latch Bolt Monitor Retracted
X	X	X

AE - AUTHORIZED EGRESS

Also referred to as REQUEST TO EXIT (or REX switch), monitors the use of the INSIDE trim.

ELECTRICAL SPECIFICATIONS:

SPDT Mechanical switch

Voltage **Current**

125 VAC 1 AMP

30 VDC 0.5 AMP

DM – DEADBOLT MONITOR

Monitors deadbolt position.

ELECTRICAL SPECIFICATIONS:

SPDT Mechanical switch

Voltage **Current**

125 VAC 1 AMP

30 VDC 0.5 AMP

LMR – LATCH BOLT MONITOR

Dry Contact Non-polarized Leads

CONTACTS RATED:

250mA @30VDC

A dry contact closure will occur 0.5 seconds* after the full retraction of the main latch bolt under power and will remain until power is removed or if the main latch bolt unintentionally extends.

**This translates into 1 second after power is applied to retract the latch.*

M9134ELR Trim Examples

Inside



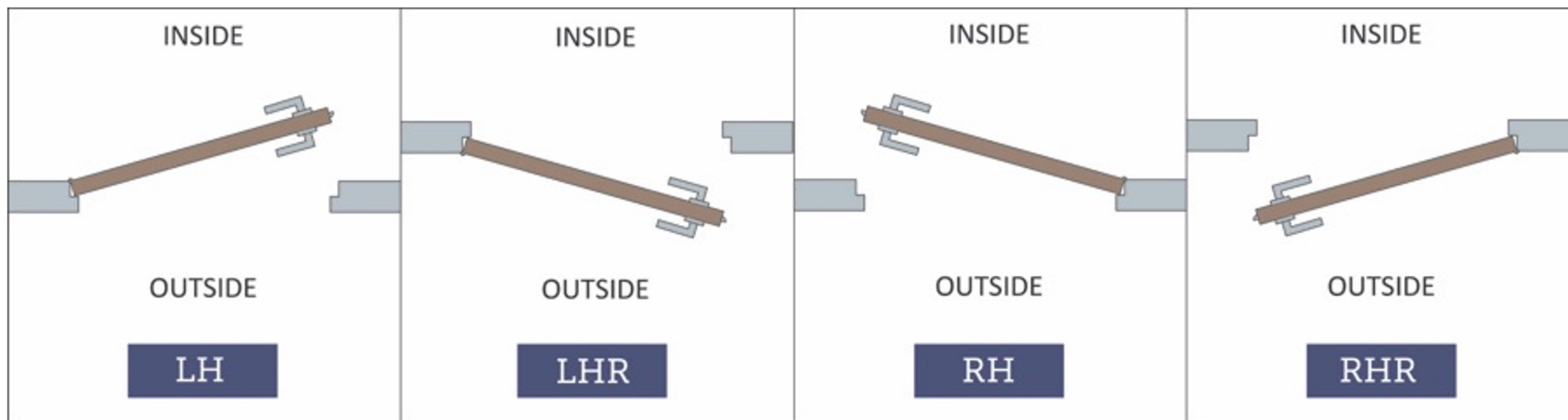
Outside



• See [Accurate Trim options](#)

HOW TO SPECIFY

HANDING



FINISHES

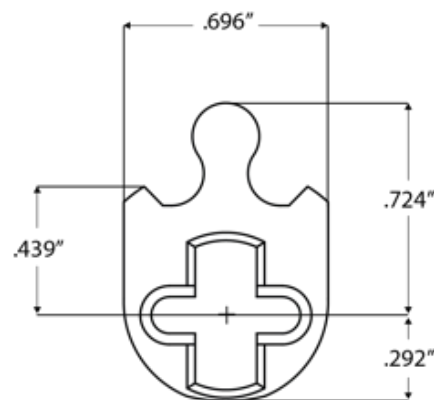
GROUP 1: US4, US4NL, US32D*, US26D

GROUP 2: US3, US3NL, US26, US32*, US9*, US10*, US10B, US14, US15, US19

GROUP 3: BN, BB, TN, TB, DURO, ESN, US15A, US5

* Trim options (including Accurate Levers) may not be available in US32D, US32, US9, or US10 finish. Please call for assistance.

To view example of finishes visit: [Accurate Finishes](#).

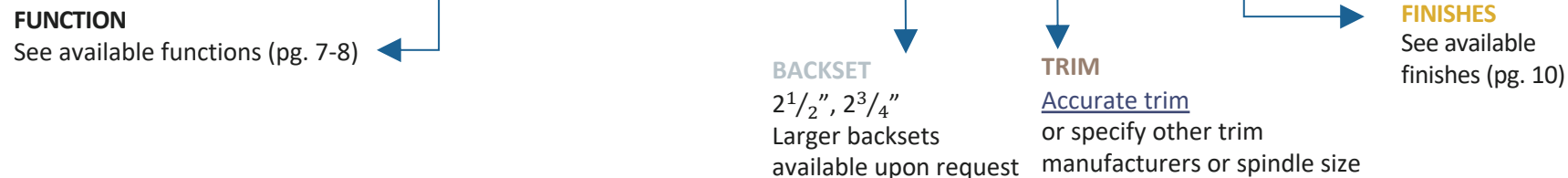


CYLINDERS & KEYING

M9134ELR locks accept any standard American mortise cylinder. For details on required cams and compatibility with other manufacturers' cylinders, please visit: [Accurate Support](#).

HOW TO SPECIFY

FUNCTION-MONITOR.BACKSET.TRIM.FINISH.HAND.DOORTHICKNESS.DOORTYPE



EXAMPLES

Electrified Latch Retraction with Deadbolt | Authorized Egress | Accurate Trim Inside

E.g.: M9134ELR-AE.212.29L/1R.US26D.RH.134.WOOD

Electrified Latch Retraction with Deadbolt | Accurate Trim Inside

E.g.: M9134ELR.234.19L/1R.US4.LH.134.METAL

Electrified Latch Retraction with Deadbolt | Other Manufacturers' Trim

E.g.: M9134ELR.234.8mm.US26D.RH.134.WOOD

Note: Access Control Components by Others.

M9134ELR lock is ideal to pair with a low energy power operator (by others).

ACCURATE TRIM

Specify Accurate levers, roses, escutcheons, pulls, etc.

[Click or scan to see trim options.](#)

SCAN HERE



**Note: For compatibility with other manufacturers' trim please call for assistance.*

**ACCURATE LOCK & HARDWARE
MANUFACTURERS OF LOCKS AND
CUSTOM ARCHITECTURAL HARDWARE**

1 Annie Place | Stamford, CT 06902

P: 203.348.8865

F: 203.348.5234

E: sales@accuratelockandhardware.com

www.accuratelockandhardware.com



**AMERICAN CRAFTED
— SINCE 1972 —**