



ACCURATE
LOCK & HARDWARE
AMERICAN CRAFTED SINCE 1972

THE VANTAGE COLLECTION | CONCEALED FASTENERS
PREMIUM POCKET DOOR HARDWARE FEATURING NARROW FLUSH PULLS

VANTAGE POCKET DOOR SETS CONCEALED FASTENERS

Contemporary, space-saving pocket doors come alive with sleek and easy-to-operate hardware. Ideal for narrow stiles, the Vantage Collection is compatible with a variety of privacy and passage door locks. Dramatically reduce door noise when paired with the Quiet Pocket Door Pull featuring an ultra quiet, slow releasing edge pull.



VTC VANTAGE PRIVACY POCKET DOOR TRIM PAIRED WITH SILENTPAC™ QUIET POCKET DOOR LOCK

Vantage Pocket Door Hardware Sets Concealed Fasteners

VTC SIDE VIEW



VTC FRONT VIEW

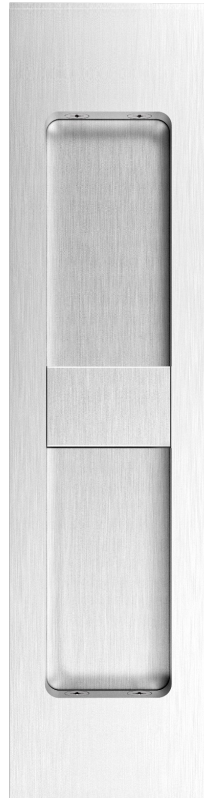


Vantage Privacy Pocket Door Flush Pulls

VTC PRIVACY CONCEALED FASTENERS



VTC-T



VTC-E

VTC PRIVACY:

- Easy to operate pocket door hardware
- Vertical thumb turn makes it easy to lock or unlock a door with one finger pressing up or down

SET INCLUDES:

- VTC-T Thumb Turn Flush Pull
- VTC-E Emergency Trim
- 2002Q-5 Quiet Pocket Door Lock with Integrated Edge Pull

DOOR THICKNESS

- For $1\frac{3}{8}$ " - $2\frac{1}{4}$ " thick doors standard; for other door thicknesses, please specify: VTC.DT (e.g. VTC.234.FINISH)

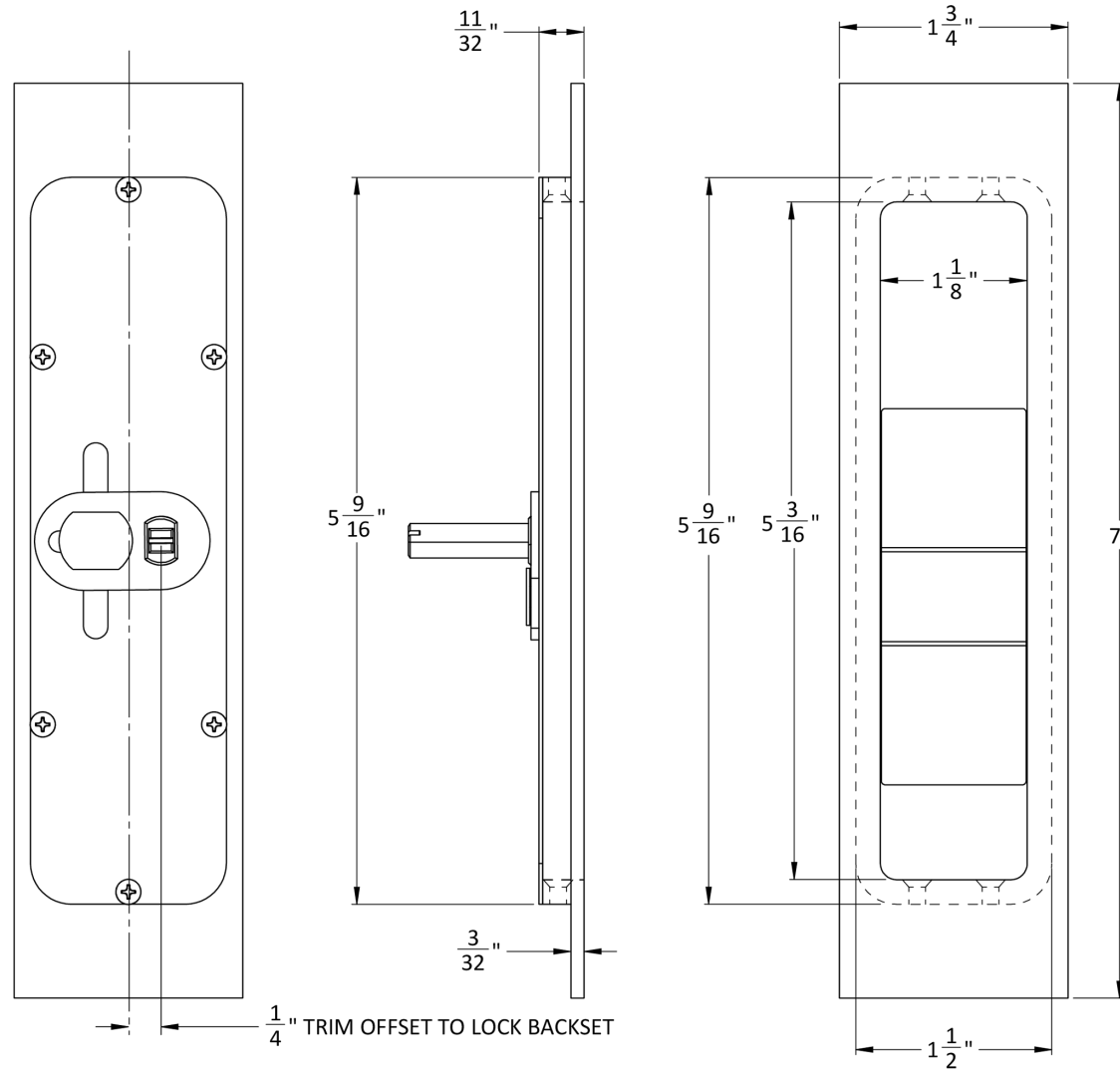
SPECS:

- 7" tall by $1\frac{3}{4}$ " wide

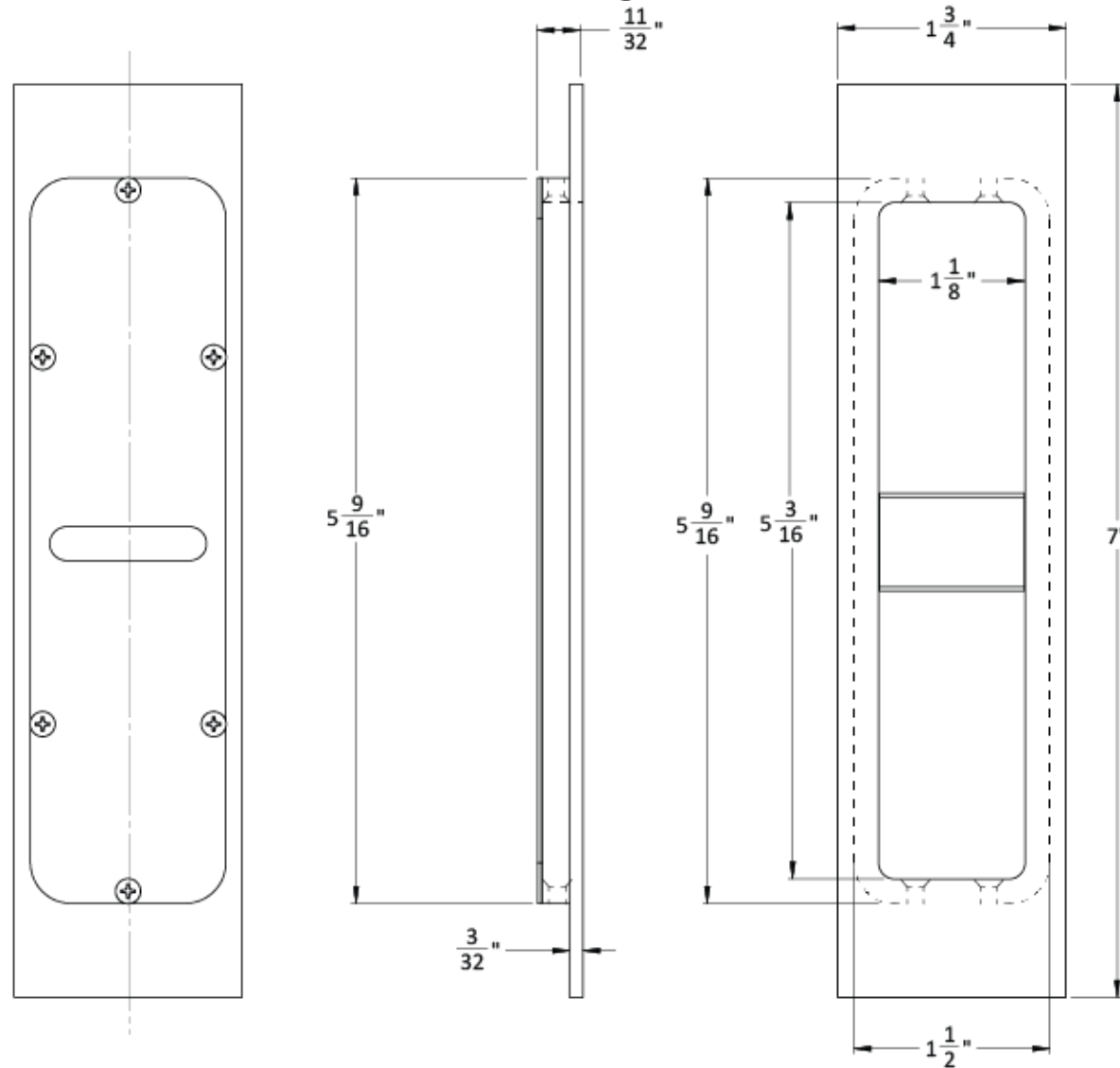
FUNCTION:

- Thumb Turn inside, ER outside
- To open the door from the outside in an emergency situation, flip the Emergency Release cover to expose the access hole (use a screwdriver or an emergency release key like the 09-EK-Flat, sold separately).

Vantage Privacy Pocket Door Flush Pulls VTC-T Thumb Turn



Vantage Privacy Pocket Door Flush Pulls VTC-E Emergency Release



Vantage Pocket Door Hardware Sets 2002Q



2002Q

SILENT **PAC**[™]
by ACCURATE

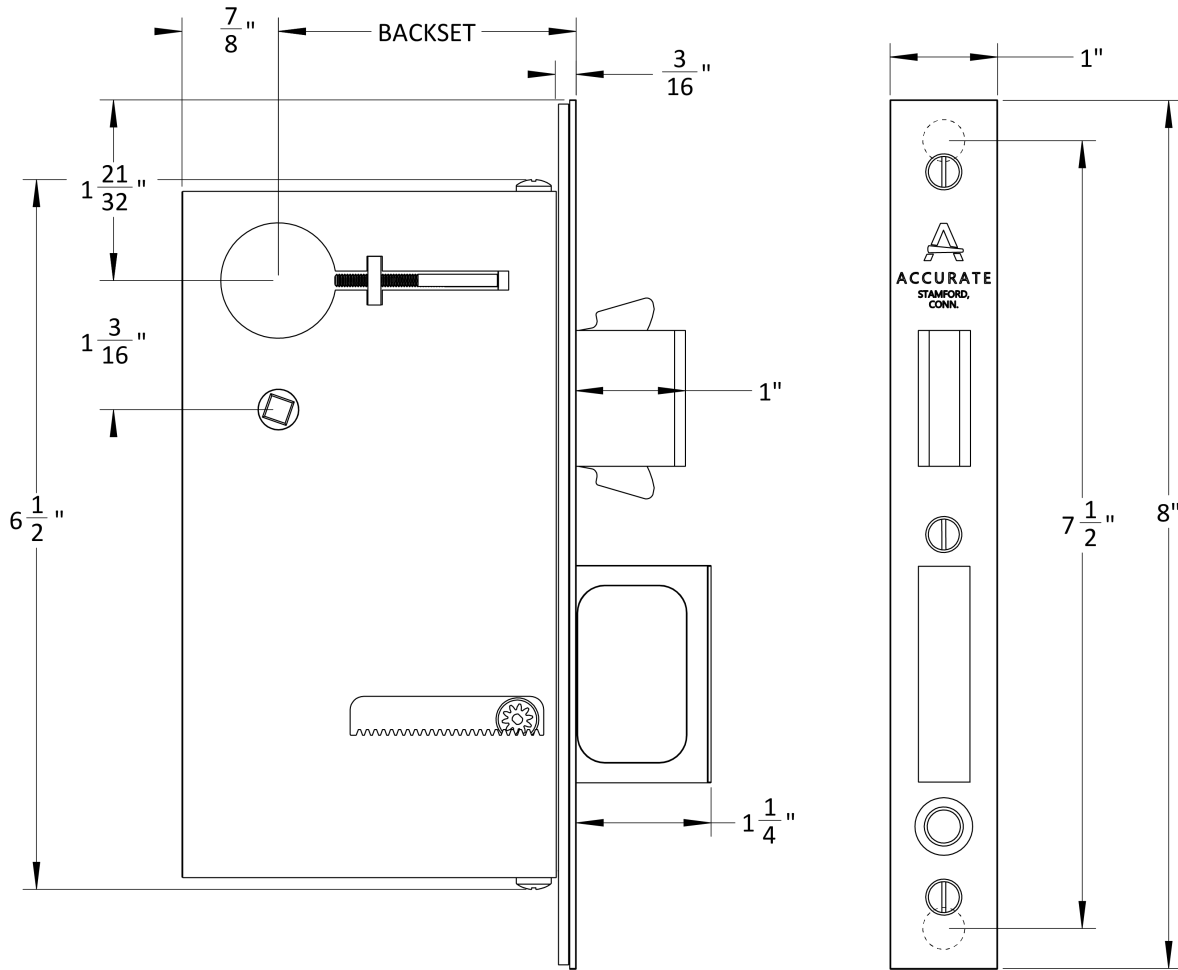
**QUIET POCKET
DOOR LOCK**

Vantage Flush Pulls are paired with the 2002Q SilentPac Quiet Pocket Door Pull that features a slow-release of the edge pull resulting in a quieter solution for space-saving pocket doors.

WATCH THE VIDEO TO
SEE AND HEAR THE DIFFERENCE



2002Q: Technical Details



BACKSET: $2\frac{1}{2}$ ", $2\frac{3}{4}$ "

The pulls are installed $\frac{1}{4}$ " further.

CASE: Heavy gauge, wrought ($\frac{11}{16}$ " thick)

ARMOR FRONT: 1" wide, 8" standard made from brass, bronze or stainless steel and finished as required

DEADBOLT: $\frac{1}{2}$ " thick, $1\frac{7}{32}$ " high, 1" throw

PULL: $\frac{1}{2}$ " thick, 2" high, $1\frac{1}{4}$ " throw

STRIKE: $3\frac{1}{2}$ " x 1" deadlock type strike for single doors included (specify SD). 8" tall strike available at an upcharge (Specify SD-8). For double door openings, refer to 2002CPDS.

THUMB TURN HUB: $\frac{3}{16}$ " (5mm) on the diamond standard (specialty 6mm square hub available as special order)

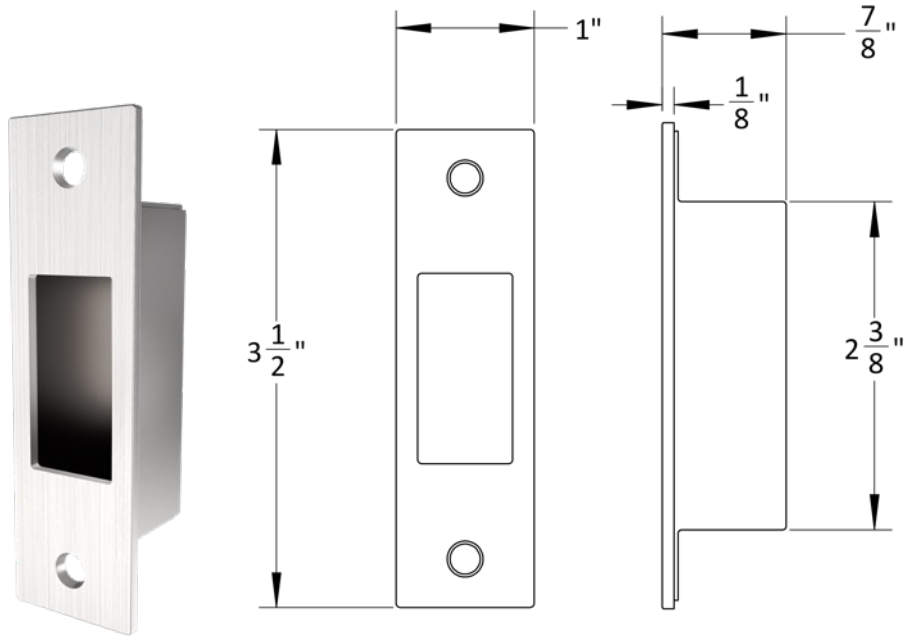
DUST BOX: For single doors, available in brass, stainless steel or US10B



Pocket Door Strikes | Single Doors

SD STRIKE + DUST BOX

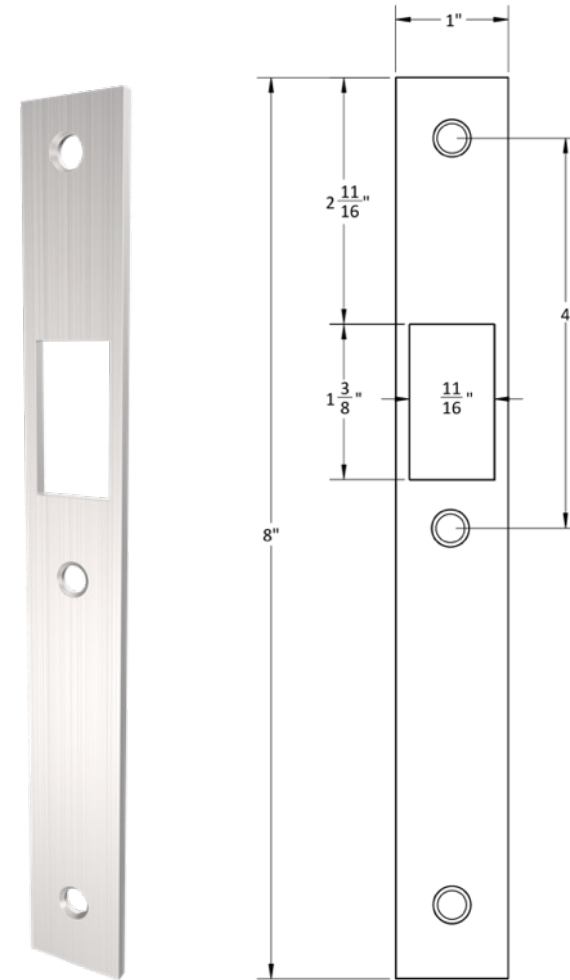
Furnished Standard



SD-8 STRIKE

8" strike plate to oppose 2002Q.

Available special order.



VANTAGE PASSAGE SETS CONCEALED FASTENERS

Vantage Hardware Sets are available for passage non-locking doors. Pair with **2002CPDP-Q** Quiet Pocket Door Pull and Blank Vantage Flush Pulls.



VTC VANTAGE PASSAGE POCKET DOOR TRIM PAIRED
WITH SILENTPAC™ QUIET POCKET DOOR LOCK

Vantage Passage Pocket Door Flush Pulls

VTC PASSAGE CONCEALED FASTENERS



VTC-B

VTC PASSAGE:

- Easy to operate pocket door hardware
- Blank narrow flush pulls for sliding or non-locking pocket doors
- Use on one side (specify VTC-B) or pair with 2000Q, 2002CPDP-Q or 2002CPDS-Q (Specify VTC-PA)

SET INCLUDES:

- (2) VTC-B Blank Flush Pulls
- 2002CPDP-Q **OR** 2002Q Quiet Pocket Door Edge Pull

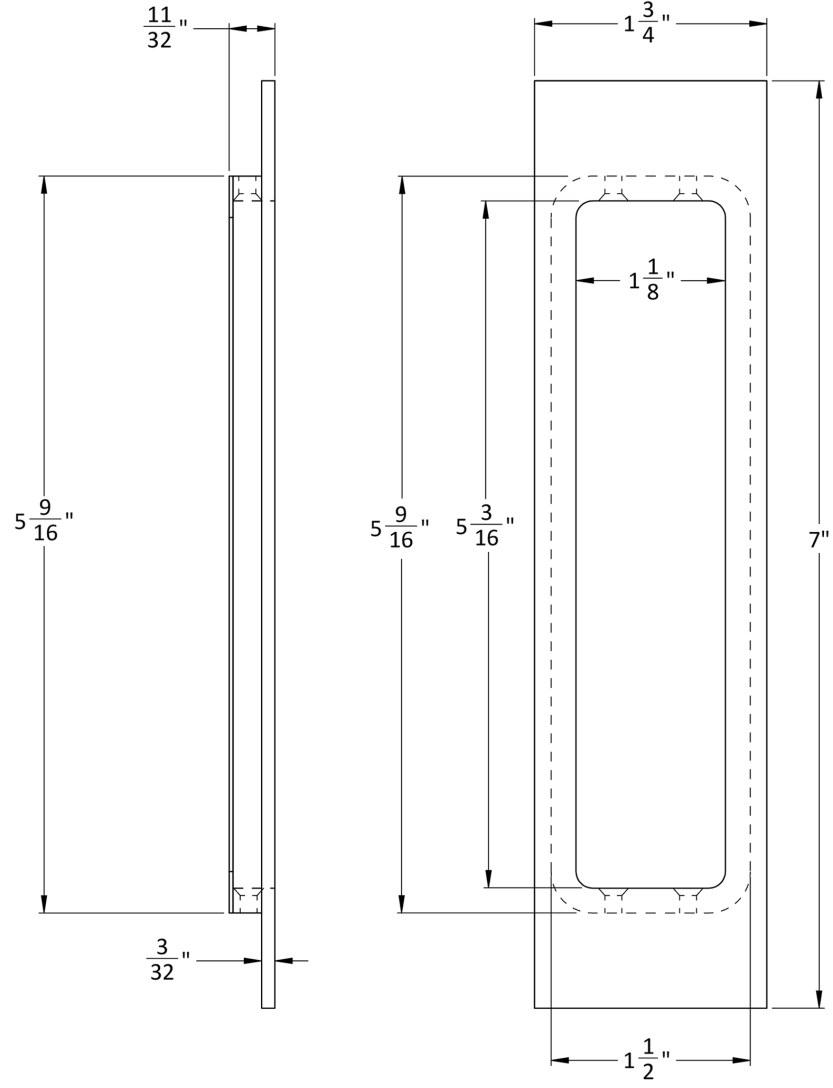
DOOR THICKNESS

- For $1\frac{3}{8}$ " - $2\frac{1}{4}$ " thick doors standard; for other door thicknesses, please specify: VTC.DT (E.g. VTC.234.FINISH)

SPECS:

- 7" tall by $1\frac{3}{4}$ " wide

Vantage Passage Pocket Door Flush Pulls



Vantage Pocket Door Hardware Sets

2002CPDP-Q

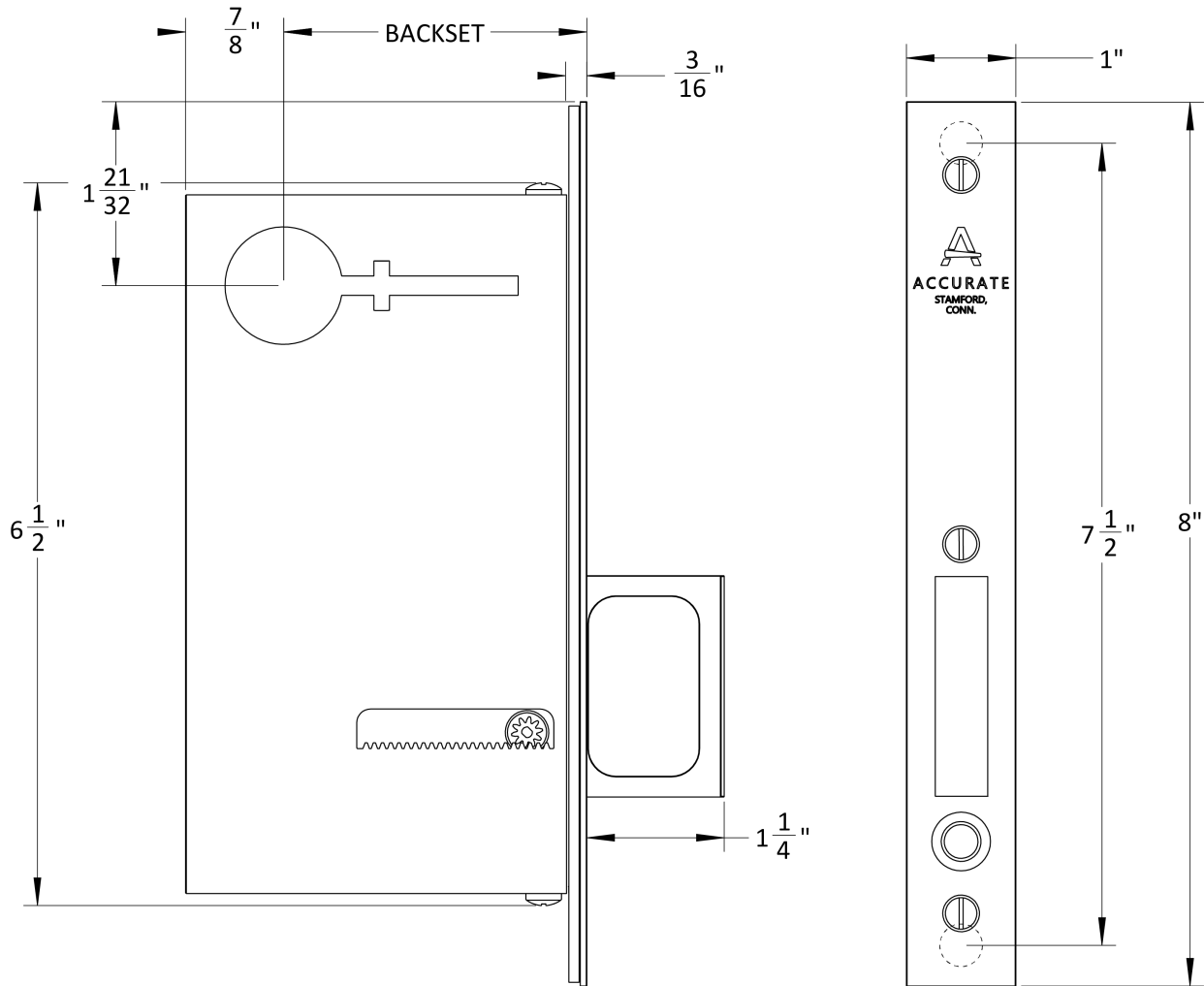


2002CPDP-Q

2002CPDP-Q POCKET DOOR EDGE PULL

- For passage, non-locking pocket doors (pair with Blank Vantage Flush Pulls)
- Quiet slow release edge pull pops out of the lock with press of a button allowing for comfortable operation to pull door out of pocket.

2002CPDP-Q: Technical Details



$3\frac{3}{8}$ " overall depth standard

$2\frac{7}{8}$ " overall depth available (specify as 2002CPDP-SD-Q)

CASE: Heavy gauge, wrought ($1\frac{1}{16}$ " thick)

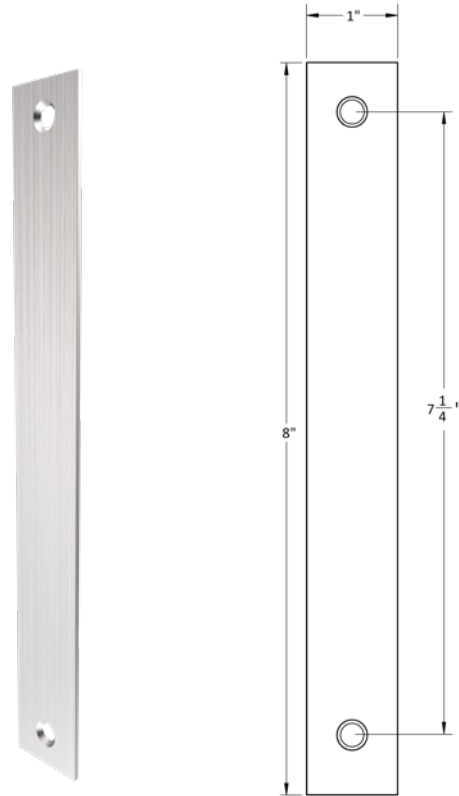
ARMOR FRONT: 1" wide, 8" standard made from brass, bronze or stainless steel and finished as required

PULL: $\frac{1}{2}$ " thick, 2" high, $1\frac{1}{4}$ " throw

Pocket Door Jamb Protector Plate

2002JPP

To oppose 2002CPDP



VANTAGE PASSAGE SETS CONCEALED FASTENERS

Vantage Hardware Sets are available for passage non-locking doors. Pair with the 5" **2000Q** petite pocket door edge pull.



VTC VANTAGE PASSAGE POCKET DOOR TRIM PAIRED WITH SILENTPAC™ QUIET POCKET DOOR LOCK

Vantage Pocket Door Hardware Sets 2000Q

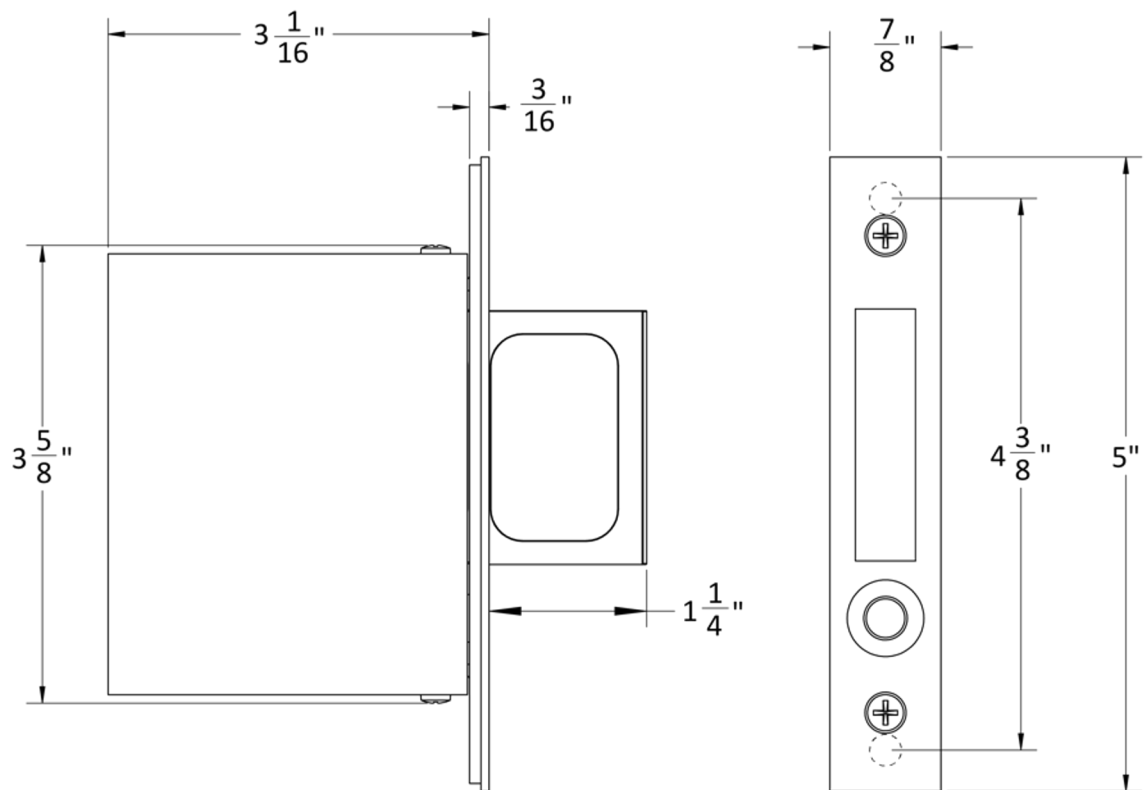


2000Q

2000Q 5" POCKET DOOR EDGE PULL

- For passage, non-locking pocket doors (pair with Blank Flush Pulls)
- Available with Quiet Pocket Door Pull that features a Quiet slow release edge pull pops out of the lock with press of a button allowing for comfortable operation to pull door out of pocket.

2000Q: Technical Details



$3\frac{1}{16}$ " overall depth standard

CASE: Heavy gauge, wrought ($1\frac{1}{16}$ " thick)

ARMOR FRONT: 1" wide, 5" standard made from brass, bronze or stainless steel and finished as required

PULL: $\frac{1}{2}$ " thick, 2" high, $1\frac{1}{4}$ " throw

HOW TO SPECIFY

VTC.FUNCTION.BACKSET.FINISH.DOORTHICKNESS.OPTIONS

FUNCTIONS

- 2002Q-5
- 2002CPDP-Q
- 2002CPDP-SD-Q
- 2000Q
- To specify standard lock (not quiet), omit the -Q

BACKSETS

2¹/₂" , 2³/₄"

DOOR THICKNESS

1³/₈" - 2¹/₄" Standard

STRIKE

SD (single door)
SD-8
PD (pair of doors 2002CPDS-Q)
2002JPP

OPTIONS

Finished bolts/buttons/bales/backplates where applicable for an upcharge.

EXAMPLES

Vantage Privacy Quiet Pocket Door Set

E.g. VTC.2002Q-5.212.US3NL.214

Vantage Passage Quiet Pocket Door Set | Small Bale Lock

E.g. VTC-PA.2000Q.234.TN.138

Vantage Passage Quiet Pocket Door Set | Large Bale Lock

E.g. VTC-PA.2002CPDP-Q.234.US15.2

*VTC TRIM TEMPLATE MUST BE USED. DO NOT USE STANDARD TEMPLATE.
CUSTOM BACKSETS AVAILABLE.

AVAILABLE FINISHES

GROUP 1: US4, US4NL, US26D

GROUP 2: US3, US3NL, US26, US32, US10B*, US14, US15, US19*

GROUP 3: BN, BB, TN, TB, DURO*, ESN, US15A, US5

SPECIAL ORDER FINISHES: US32D, US9, US10

*Furnished standard with lacquered satin brass bolt/button/bail.

Patinated components are available as a special order, please specify accordingly. To view examples of finishes visit: [Accurate Finishes](#)

**ACCURATE LOCK & HARDWARE
MANUFACTURERS OF LOCKS AND
CUSTOM ARCHITECTURAL HARDWARE**

1 Annie Place | Stamford, CT 06902

P: 203.348.8865

F: 203.348.5234

E: sales@accuratelockandhardware.com

www.accuratelockandhardware.com



**AMERICAN CRAFTED
— SINCE 1972 —**