



ACCURATE
LOCK & HARDWARE
AMERICAN CRAFTED SINCE 1972

THE VANTAGE COLLECTION | INVISI-MOUNT

PREMIUM POCKET DOOR HARDWARE FEATURING NARROW FLUSH PULLS

VANTAGE POCKET DOOR SETS INVISI-MOUNT

Contemporary, space-saving pocket doors come alive with sleek and easy-to-operate hardware. Ideal for narrow stiles, the Vantage Collection is compatible with a variety of privacy and passage door locks. Available with Invisi-Mount innovative mounting system offering the simplest and cleanest screwless flush pulls on the market. Utilizing rare-earth magnets for secure and precise installation, this is an upgrade to exposed or concealed fastener options.



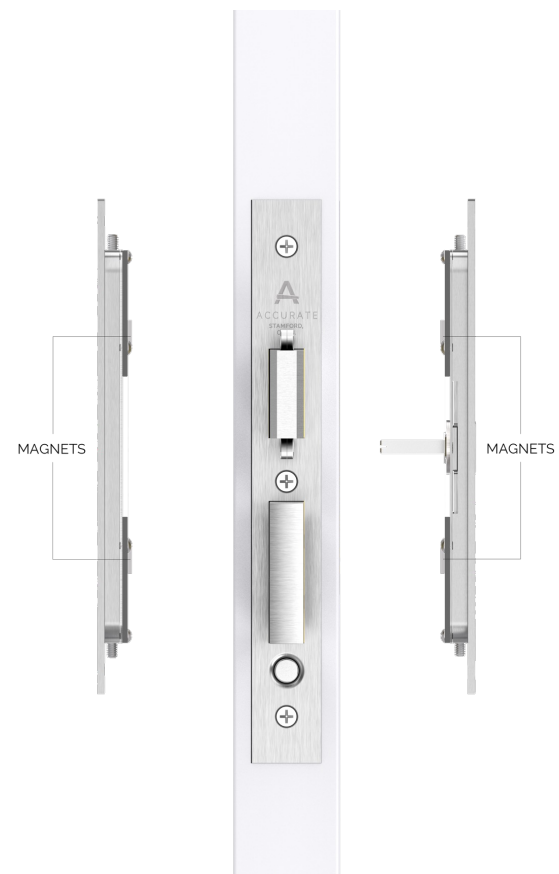
VTI VANTAGE PRIVACY POCKET DOOR TRIM PAIRED
WITH SILENTPAC™ QUIET POCKET DOOR LOCK

Vantage Pocket Door Hardware Sets Invisi-Mount

VTI SIDE VIEW



VTI FRONT VIEW

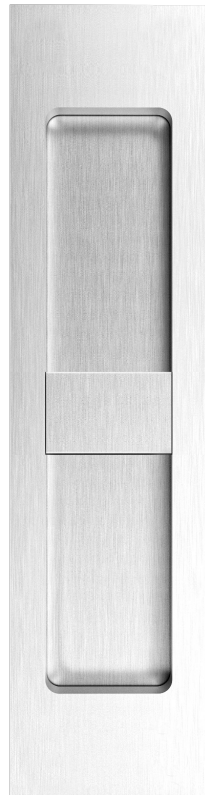


Vantage Privacy Pocket Door Flush Pulls

VTI PRIVACY INVISI-MOUNT



VTI-T



VTI-E

VTC PRIVACY:

- Easy to operate pocket door hardware
- Vertical thumb turn makes it easy to lock or unlock a door with one finger pressing up or down
- Invisi-Mount utilizes rare-earth magnets for secure and precise installation

SET INCLUDES:

- VTI-T Thumb Turn Flush Pull
- VTI-E Emergency Trim
- 2002Q-5 Quiet Pocket Door Lock with Integrated Edge Pull

DOOR THICKNESS

- For 1³/₈" - 2¹/₄" thick doors standard; for other door thicknesses, please specify: VTI.DT (e.g. VTI.234.FINISH)

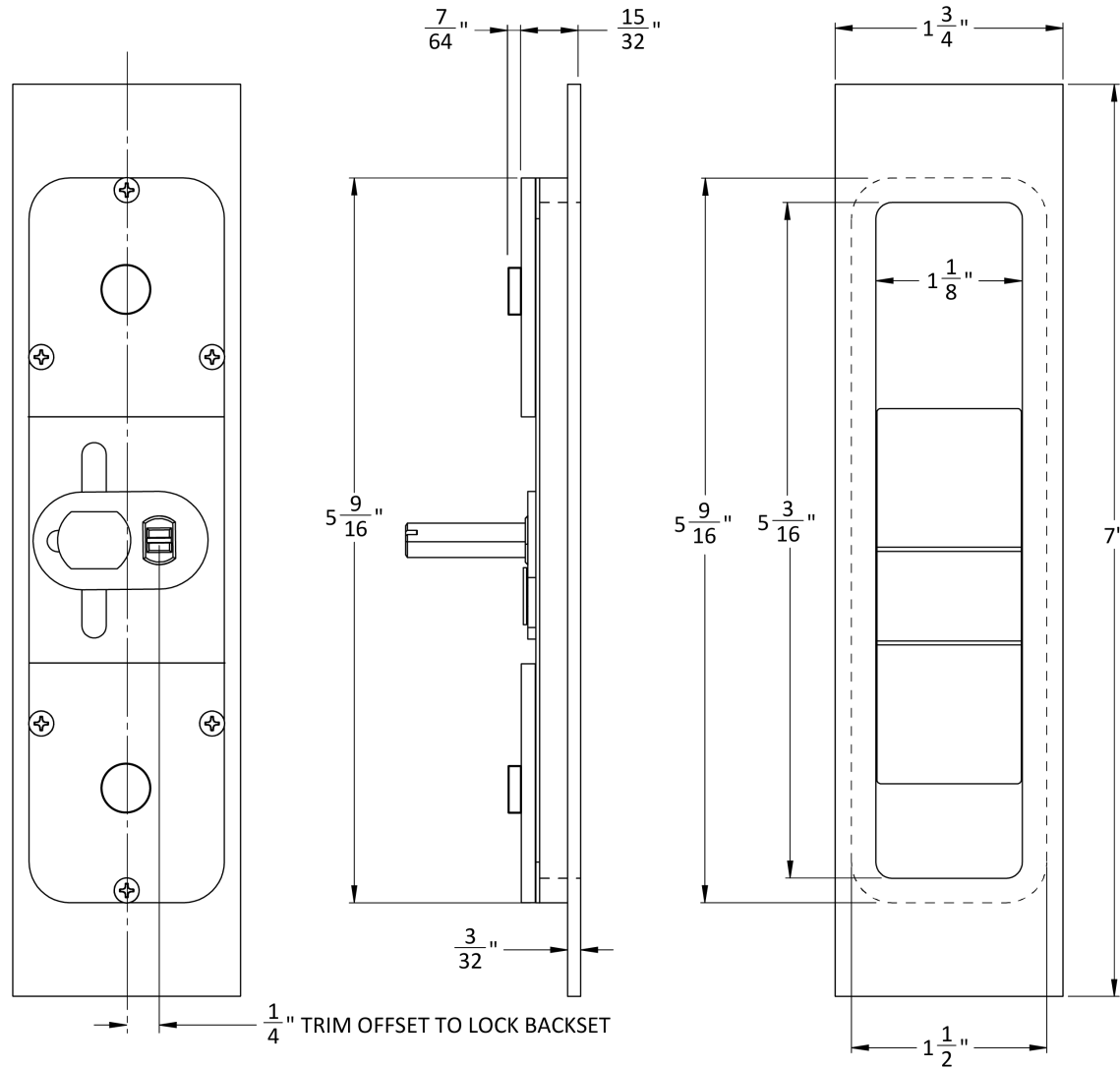
SPECS:

- 7" tall by 1 ³/₄" wide

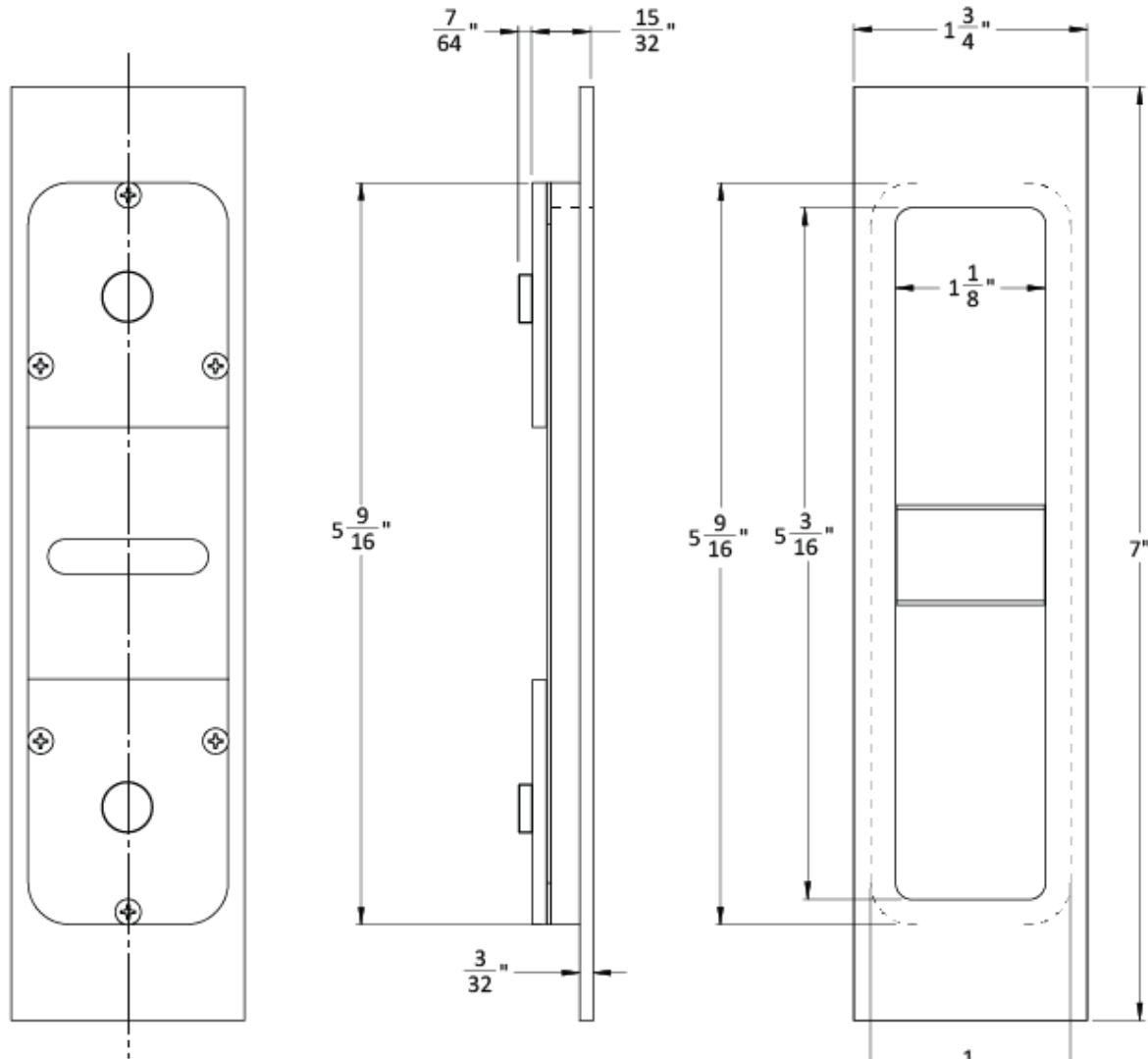
FUNCTION:

- Thumb Turn inside, ER outside
- To open the door from the outside in an emergency situation, flip the Emergency Release cover to expose the access hole (use a screwdriver or an emergency release key like the 09-EK-Flat, sold separately).

Vantage Privacy Pocket Door Flush Pulls VTI-T Thumb Turn



Vantage Privacy Pocket Door Flush Pulls VTI-E Emergency Release



Vantage Pocket Door Hardware Sets 2002Q



2002Q

SILENT **PAC**[™]
by ACCURATE

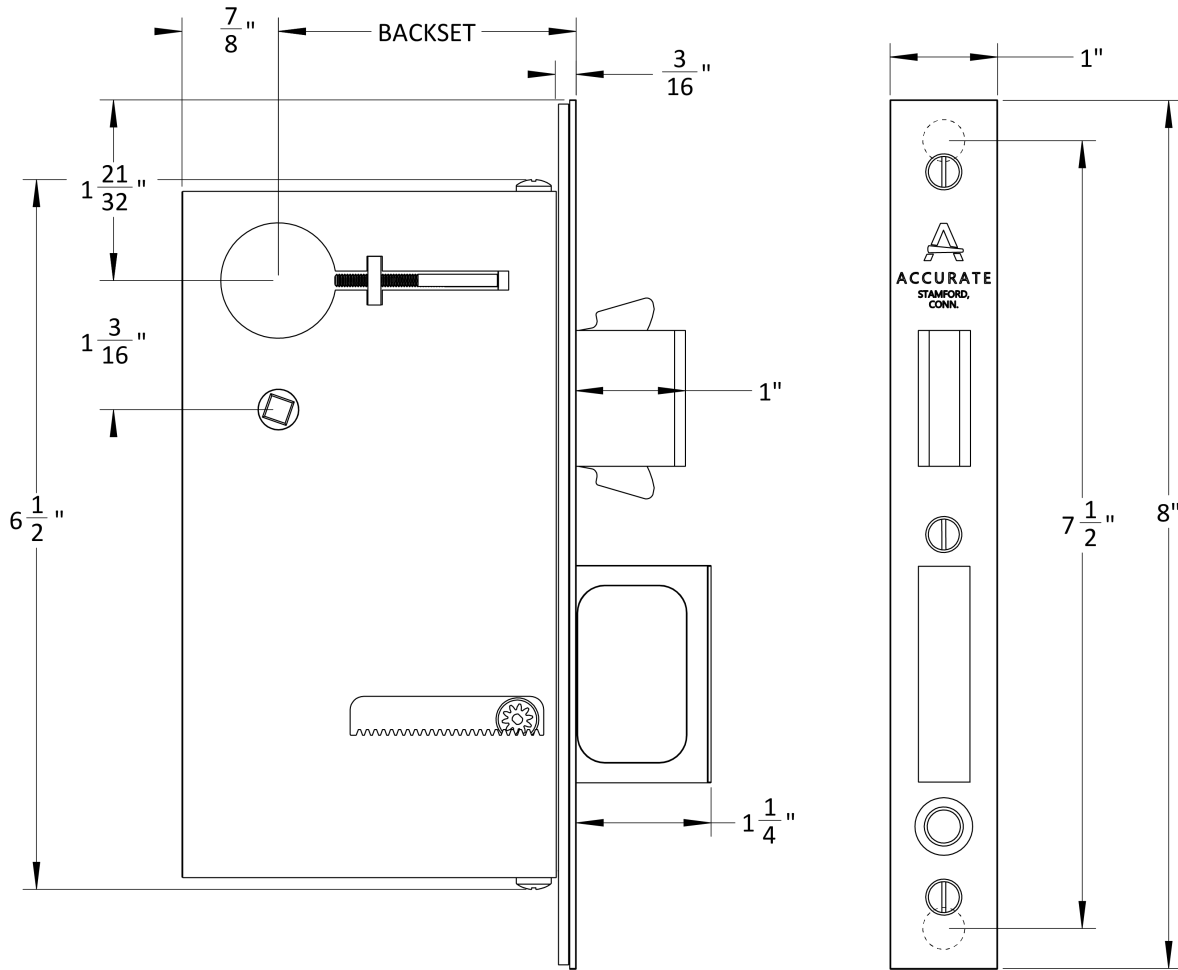
**QUIET POCKET
DOOR LOCK**

Vantage Flush Pulls are paired with the 2002Q SilentPac Quiet Pocket Door Pull that features a slow-release of the edge pull resulting in a quieter solution for space-saving pocket doors.

WATCH THE VIDEO TO
SEE AND HEAR THE DIFFERENCE



2002Q: Technical Details



BACKSET: $2\frac{1}{2}$ ", $2\frac{3}{4}$ "

The pulls are installed $\frac{1}{4}$ " further.

CASE: Heavy gauge, wrought ($1\frac{1}{16}$ " thick)

ARMOR FRONT: 1" wide, 8" standard made from brass, bronze or stainless steel and finished as required

DEADBOLT: $\frac{1}{2}$ " thick, $1\frac{7}{32}$ " high, 1" throw

PULL: $\frac{1}{2}$ " thick, 2" high, $1\frac{1}{4}$ " throw

STRIKE: $3\frac{1}{2}$ " x 1" deadlock type strike for single doors included (specify SD). 8" tall strike available at an upcharge (Specify SD-8). For double door openings, refer to 2002CPDS.

THUMB TURN HUB: $\frac{3}{16}$ " (5mm) on the diamond standard (specialty 6mm square hub available as special order)

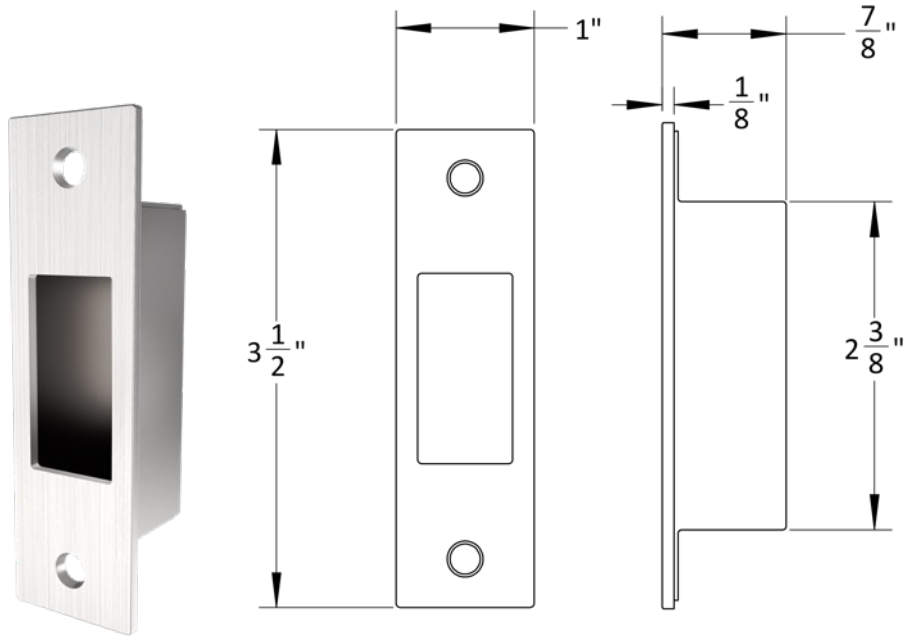
DUST BOX: For single doors, available in brass, stainless steel or US10B



Pocket Door Strikes | Single Doors

SD STRIKE + DUST BOX

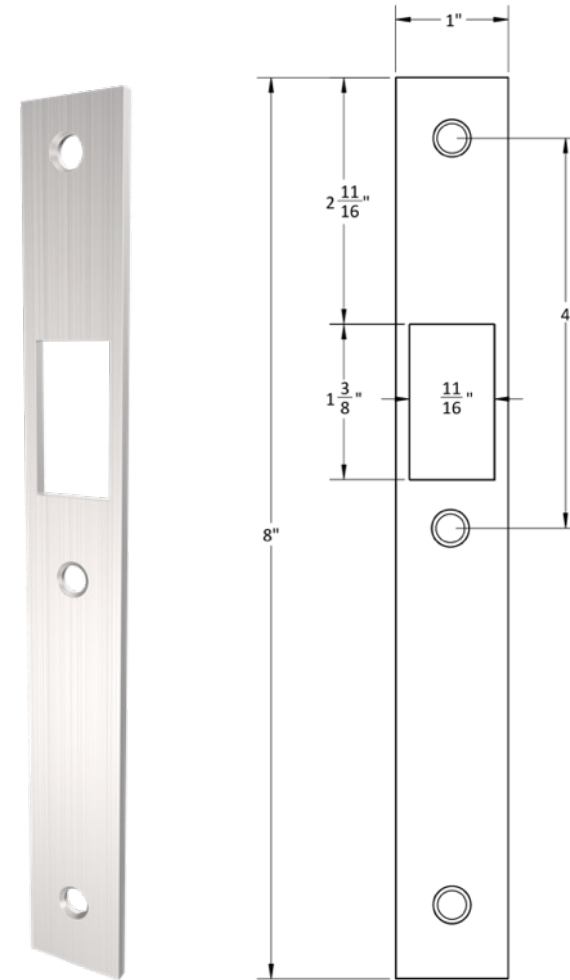
Furnished Standard



SD-8 STRIKE

8" strike plate to oppose 2002Q.

Available special order.



VANTAGE PASSAGE SETS INVISI-MOUNT

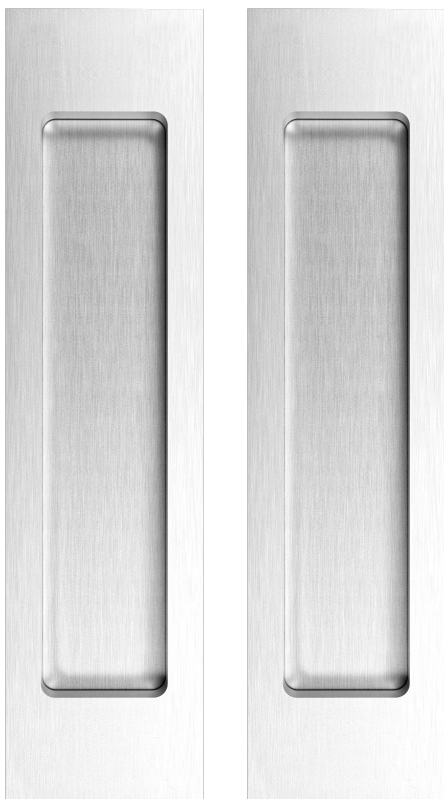
Vantage Hardware Sets are available for passage non-locking doors. Pair with 2002CPDP-Q Quiet Pocket Door Pull and Blank Vantage Flush Pulls.



VTI VANTAGE PASSAGE POCKET DOOR TRIM PAIRED WITH SILENTPAC™ QUIET POCKET DOOR LOCK

Vantage Passage Pocket Door Flush Pulls

VTI PASSAGE INVISI-MOUNT



VTI-B

VTI PASSAGE:

- Easy to operate pocket door hardware
- Blank narrow flush pulls for sliding or non-locking pocket doors
- Use on one side (specify VTI-B) or pair with 2000Q, 2002CPDP-Q or 2002CPDS-Q (Specify VTI-PA)
- Invisi-Mount utilizes rare-earth magnets for secure and precise installation

SET INCLUDES:

- (2) VTI-B Blank Flush Pulls
- 2002CPDP-Q **OR** 2002Q Quiet Pocket Door Edge Pull

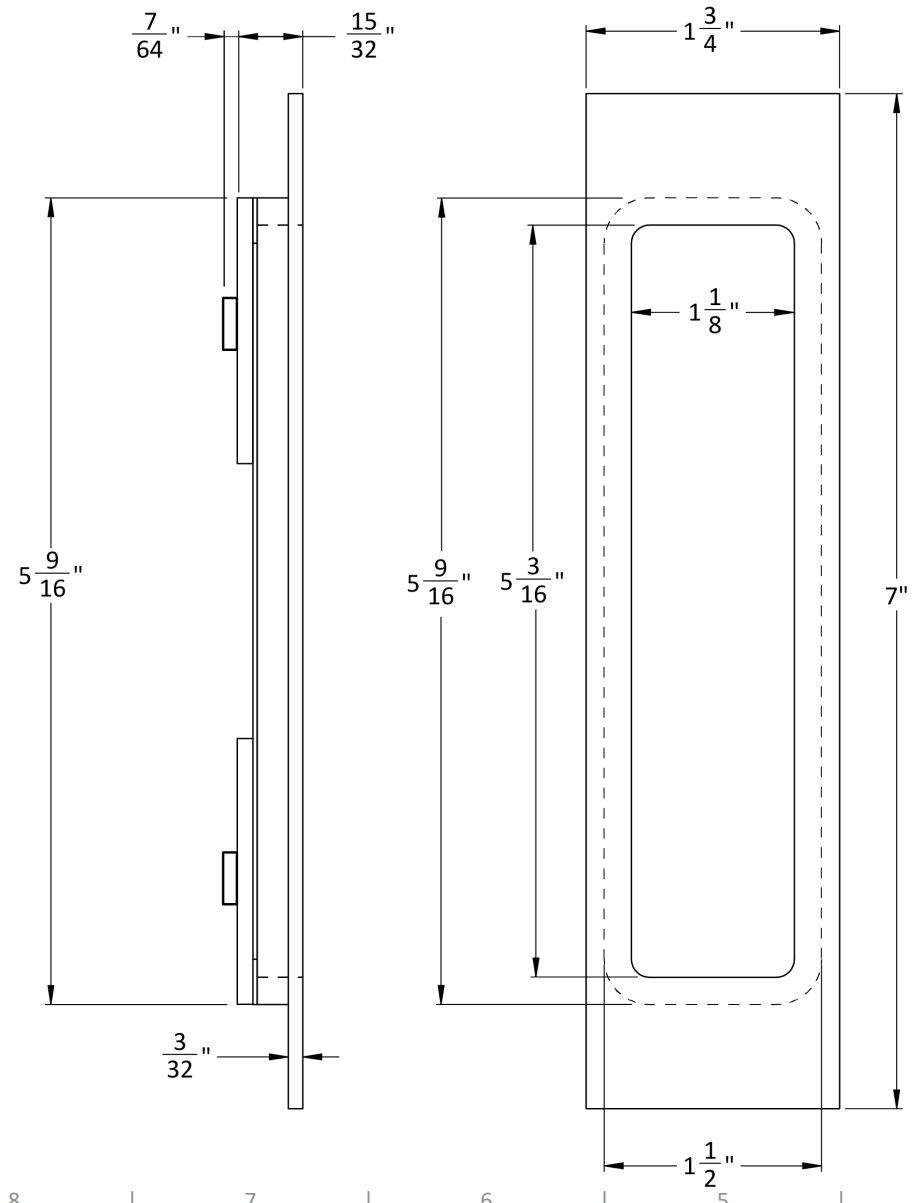
DOOR THICKNESS

- For $1\frac{3}{8}$ " - $2\frac{1}{4}$ " thick doors standard; for other door thicknesses, please specify: VTI.DT (E.g. VTI.234.FINISH)

SPECS:

- 7" tall by $1\frac{3}{4}$ " wide

Vantage Passage Pocket Door Flush Pulls



Vantage Pocket Door Hardware Sets

2002CPDP-Q

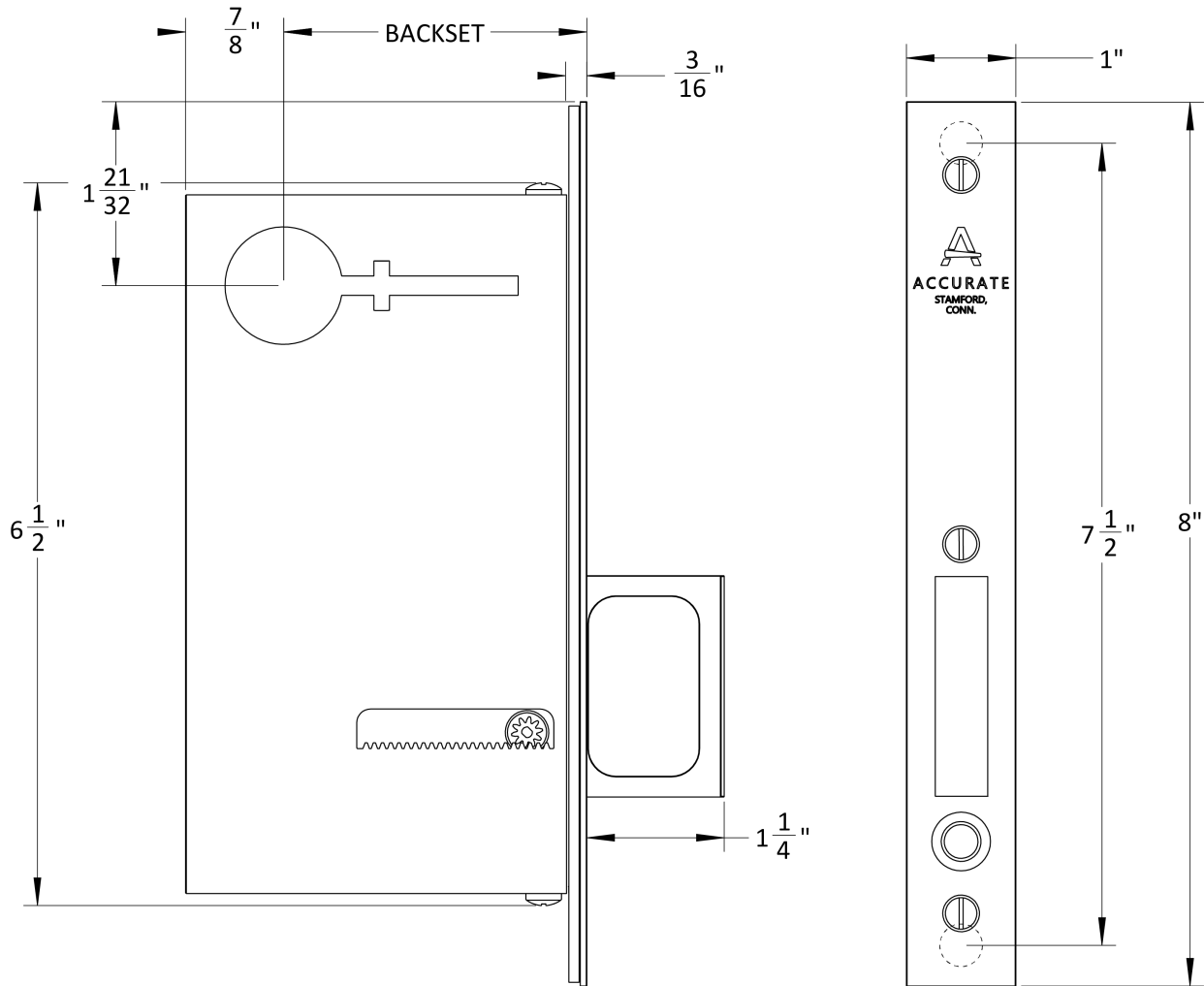


2002CPDP-Q

2002CPDP-Q POCKET DOOR EDGE PULL

- For passage, non-locking pocket doors (pair with Blank Vantage Flush Pulls)
- Quiet slow release edge pull pops out of the lock with press of a button allowing for comfortable operation to pull door out of pocket.

2002CPDP-Q: Technical Details



$3\frac{3}{8}$ " overall depth standard

$2\frac{7}{8}$ " overall depth available (specify as 2002CPDP-SD-Q)

CASE: Heavy gauge, wrought ($1\frac{1}{16}$ " thick)

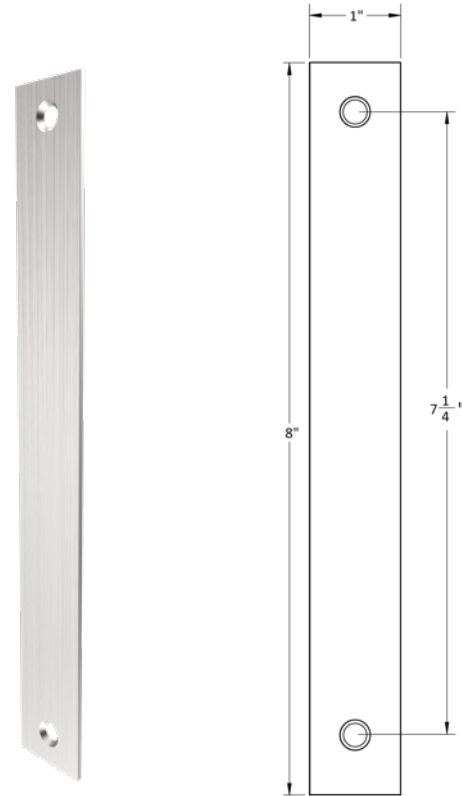
ARMOR FRONT: 1" wide, 8" standard made from brass, bronze or stainless steel and finished as required

PULL: $\frac{1}{2}$ " thick, 2" high, $1\frac{1}{4}$ " throw

Pocket Door Jamb Protector Plate

2002JPP

To oppose 2002CPDP



VANTAGE PASSAGE SETS INVISI-MOUNT

Vantage Hardware Sets are available for passage non-locking doors. Pair with the 5" 2000Q petite pocket door edge pull.



VTI VANTAGE PRIVACY POCKET DOOR TRIM PAIRED WITH SILENTPAC™ QUIET POCKET DOOR LOCK

Vantage Pocket Door Hardware Sets 2000Q

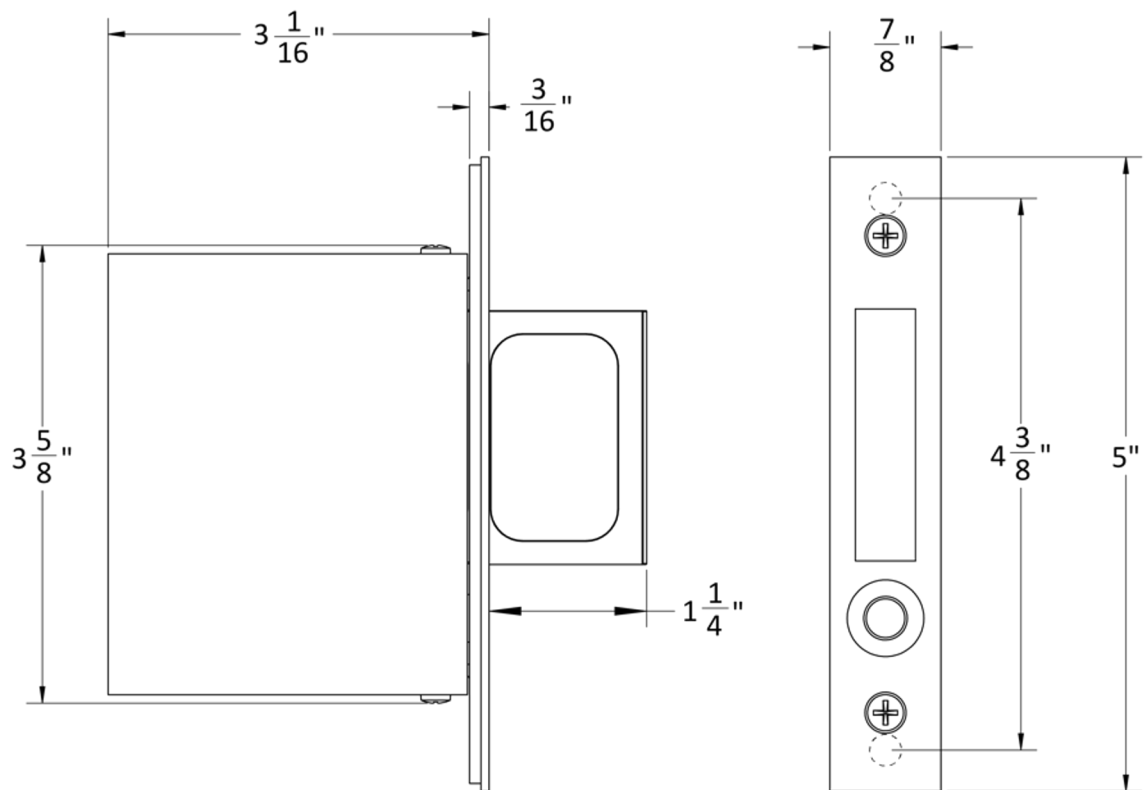


2000Q

2000Q 5" POCKET DOOR EDGE PULL

- For passage, non-locking pocket doors (pair with Blank Flush Pulls)
- Available with Quiet Pocket Door Pull that features a Quiet slow release edge pull pops out of the lock with press of a button allowing for comfortable operation to pull door out of pocket.

2000Q: Technical Details



$3\frac{1}{16}$ " overall depth standard

CASE: Heavy gauge, wrought ($1\frac{1}{16}$ " thick)

ARMOR FRONT: 1" wide, 5" standard made from brass, bronze or stainless steel and finished as required

PULL: $\frac{1}{2}$ " thick, 2" high, $1\frac{1}{4}$ " throw

HOW TO SPECIFY

VTI.FUNCTION.BACKSET.FINISH.DOORTHICKNESS.OPTIONS

FUNCTIONS

- 2002Q-5
- 2002CPDP-Q
- 2002CPDP-SD-Q
- 2000Q
- To specify standard lock (not quiet), omit the -Q

BACKSETS

2¹/₂" , 2³/₄"

DOOR THICKNESS

1³/₈" - 2¹/₄" Standard

STRIKE

SD (single door)
SD-8
PD (pair of doors 2002CPDS-Q)
2002JPP

OPTIONS

Finished
bolts/buttons/bales/backplates where applicable for an upcharge.

EXAMPLES

Vantage Privacy Quiet Pocket Door Set

E.g. **VTI.2002Q-5.212.US3NL.214**

Vantage Passage Quiet Pocket Door Set | Small Bale Lock

E.g. **VTI-PA.2000Q.234.TN.138**

Vantage Passage Quiet Pocket Door Set | Large Bale Lock

E.g. **VTI-PA.2002CPDP-Q.234.US15.2**

*VTI TRIM TEMPLATE MUST BE USED. DO NOT USE STANDARD TEMPLATE.
CUSTOM BACKSETS AVAILABLE.

AVAILABLE FINISHES

GROUP 1: US4, US4NL, US26D

GROUP 2: US3, US3NL, US26, US32, US10B*, US14, US15, US19*

GROUP 3: BN, BB, TN, TB, DURO*, ESN, US15A, US5

SPECIAL ORDER FINISHES: US32D, US9, US10

*Furnished standard with lacquered satin brass bolt/button/bail.

Patinated components are available as a special order, please specify accordingly. To view examples of finishes visit: [Accurate Finishes](#)

**ACCURATE LOCK & HARDWARE
MANUFACTURERS OF LOCKS AND
CUSTOM ARCHITECTURAL HARDWARE**

1 Annie Place | Stamford, CT 06902

P: 203.348.8865

F: 203.348.5234

E: sales@accuratelockandhardware.com

www.accuratelockandhardware.com



AMERICAN CRAFTED
— SINCE 1972 —