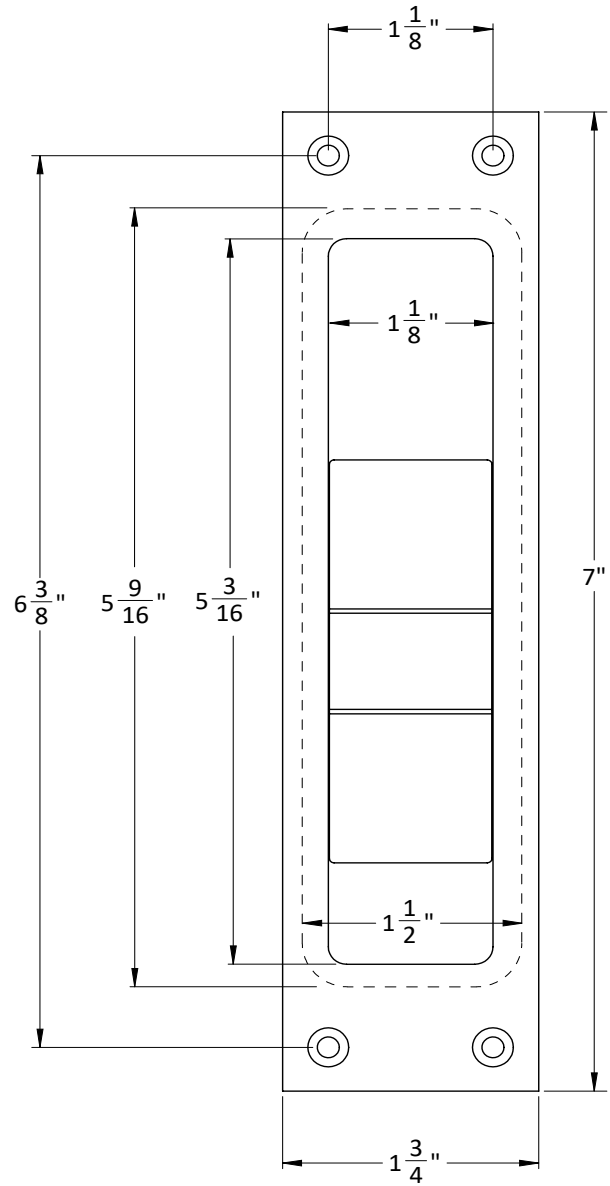
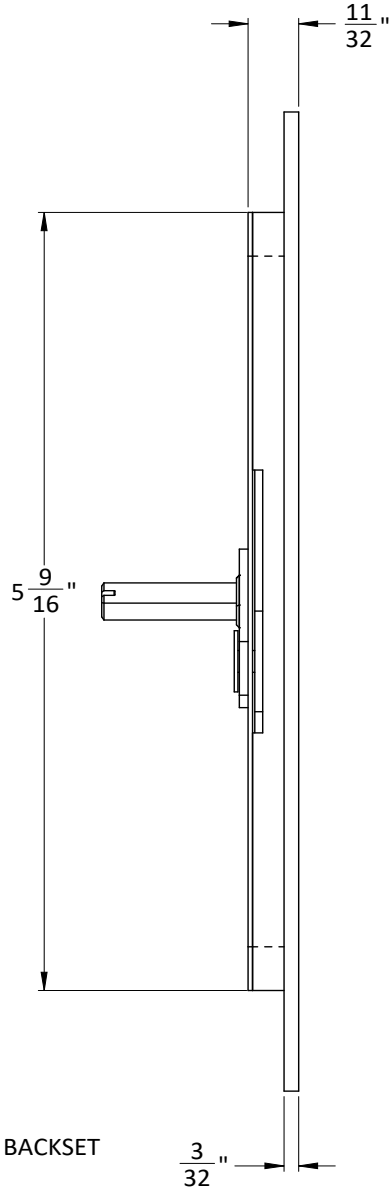


$\frac{1}{4}$ " TRIM OFFSET TO LOCK BACKSET



ACCURATE
LOCK & HARDWARE
AMERICAN CRAFTED SINCE 1972

VT Vantage Privacy Flush Pull

Spec.VT-T.PRIVACY