



ACCURATE  
LOCK & HARDWARE  
AMERICAN CRAFTED SINCE 1972

---

1600 Series

NARROW BACKSET MORTISE DEADLOCKS

## 1600 SERIES NARROW BACKSET DEADLOCK

The 1600 Series ideal for narrow stile aluminum doors in storefront or retail applications. It is a direct retrofit for popular Adams Rite Series locks and is most commonly paired with ADA compliant rigid pulls.

The 1600 Series features a flip deadbolt for swinging doors and a flip hookbolt for sliding doors.

# 1600 SERIES

## NARROW BACKSET DEADLOCK

### SLEEK AESTHETICS

- Maintain sleek lines where narrow stile door are prominent, ideal for aluminum storefronts
- Narrow backsets: including 1", 1<sup>1</sup>/<sub>8</sub>", 1<sup>1</sup>/<sub>4</sub>", 1<sup>1</sup>/<sub>2</sub>"

### VERSATILITY

- Pair with rigid 7200P or custom architectural pulls in a variety of finishes or custom sizes.

### FUNCTIONALITY

- Available in a variety of deadbolt functions
- Can be used with standard mortise cylinders or thumb turn cylinders (by others)
- Retrofit for popular Adams Rite Series locks



**1600 SERIES DEADLOCK + 7200P PULL**

# 1600 SERIES

## FLIP DEADBOLT FOR SWINGING DOORS

### DOOR UNLOCKED POSITION



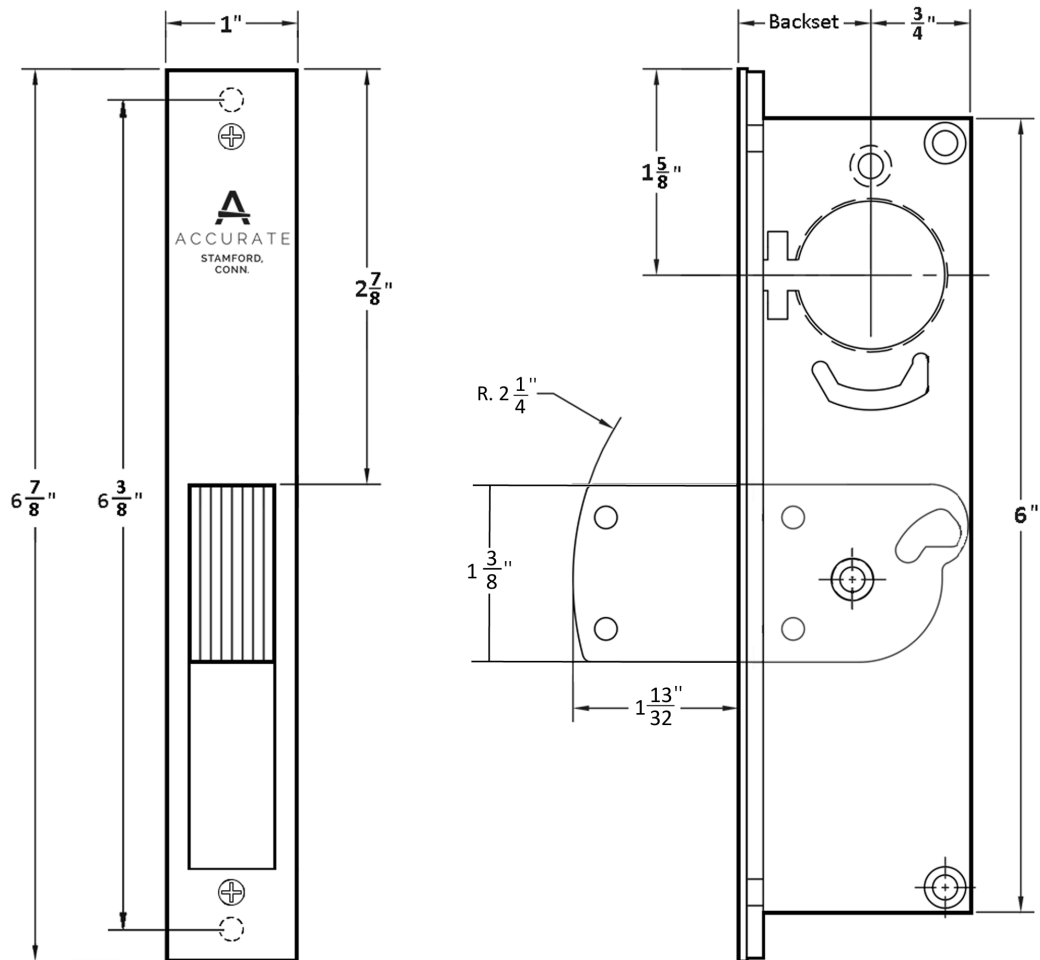
### DEADBOLT FLIPS UP TO LOCK



### DOOR LOCKED POSITION



# 1600 Technical Details



**BACKSET:** 1", 1 1/8", 1 1/4", 1 1/2"

**CASE:** Heavy gauge, stainless steel

**ARMOR FRONT:** Brass, bronze, aluminum or stainless steel, finished as required. Faceplate options: flat (default), radius or beveled (see How to Specify)

**STRIKE:** 4 7/8" x 1 1/4"

**DEADBOLT:** Laminated stainless steel with anti-lift feature, 1 1/2" throw

**DUST BOX:** Brass, stainless steel or oil rubbed bronze

# 1600SDL SERIES

## HOOK DEADBOLT FOR SLIDING DOORS

DOOR UNLOCKED POSITION



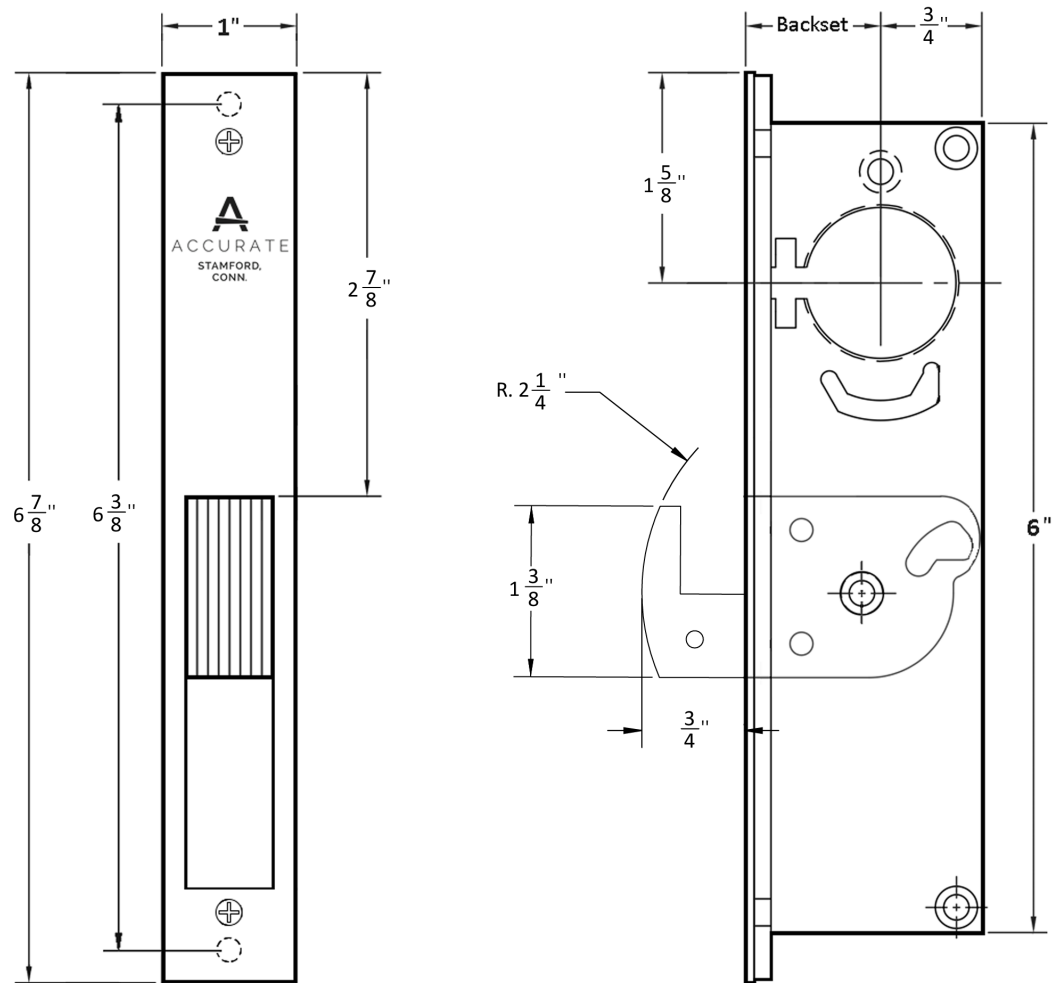
FLIP UP HOOK DEADBOLT TO LOCK



DOOR LOCKED POSITION



# 1600SDL Technical Details



**BACKSET:** 1", 1<sup>1</sup>/<sub>8</sub>", 1<sup>1</sup>/<sub>4</sub>", 1<sup>1</sup>/<sub>2</sub>"

**CASE:** Heavy gauge, stainless steel

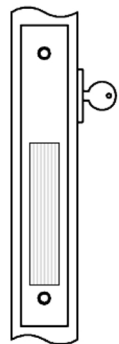
**ARMOR FRONT:** Brass, bronze, aluminum or stainless steel, finished as required. Faceplate options: flat (default), radius or beveled (see How to Specify)

**STRIKE:** 4<sup>7</sup>/<sub>8</sub>" x 1<sup>1</sup>/<sub>4</sub>"

**DEADBOLT:** Laminated stainless steel with anti-lift feature, 1<sup>1</sup>/<sub>2</sub>" throw

**DUST BOX:** Brass, stainless steel or oil rubbed bronze

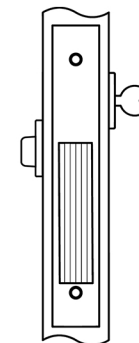
# 1600 Series Functions



## 1601 | 1601SDL DEADLOCK

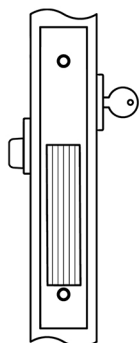
Deadbolt by key outside.

No inside operation.



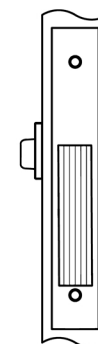
## 1602 | 1602SDL DEADLOCK

Deadbolt by key or thumb turn  
cylinder either side.



## 1603 | 1603SDL DEADLOCK

Deadbolt by key outside and thumb turn inside.



## 1604 | 1604SDL DEADLOCK

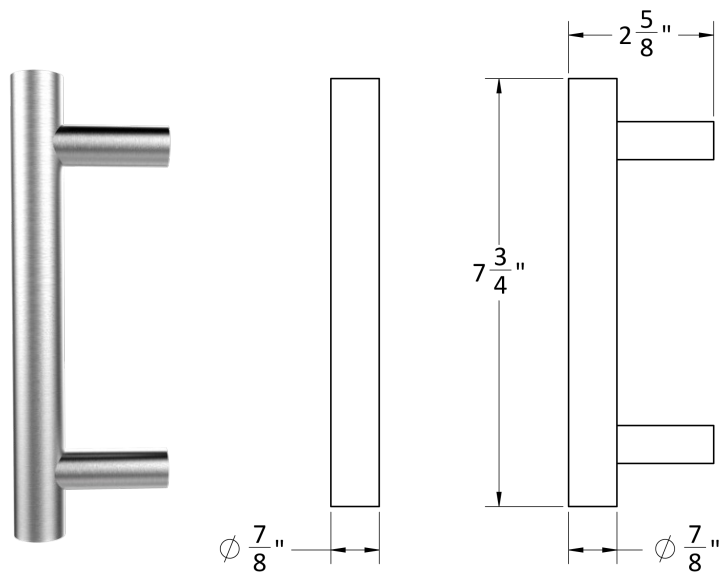
Deadbolt by thumb turn inside.

No outside operation.

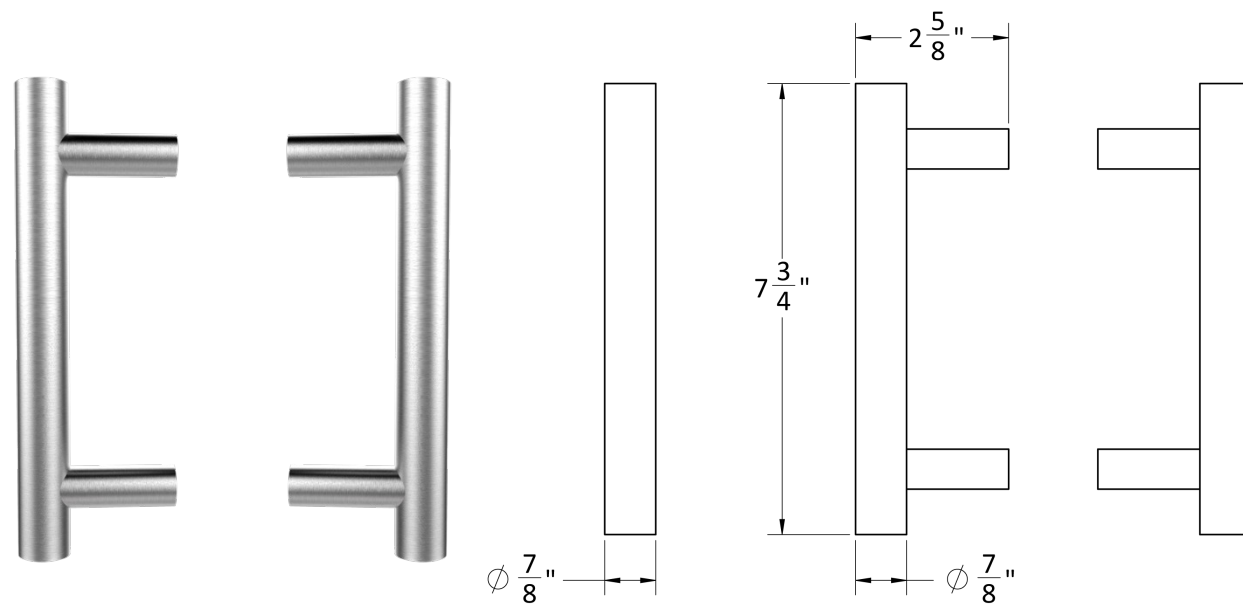


# Accurate Trim

### 7200P-S SINGLE RIGID PULL

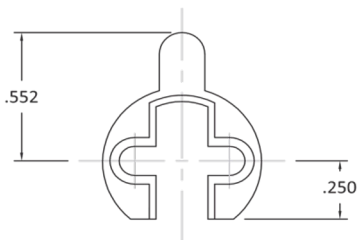


### 7200P DOUBLE SIDED PULL



# HOW TO SPECIFY

## CYLINDERS & KEYING



1600 Series locks accept any standard American mortise cylinder. For details on required cams and compatibility with other manufacturers' cylinders, please visit:

[Accurate Support.](#)

## FINISHES

**GROUP 1:** US4, US4NL, US32D, US26D

**GROUP 2:** US3, US3NL, US26, US32, US9, US10, US10B, US14, US15, US19

**GROUP 3:** BN, BB, TN, TB, DURO, ESN, US15A, US5, US19LL

\* Trim options (including Accurate Levers) may not be available in US32D, US32, US9, or US10 finish. Please call for assistance.

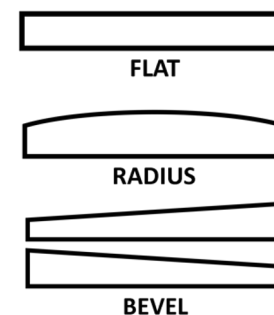
To view example of finishes visit: [Accurate Finishes.](#)

## THUMB TURN CYLINDERS

1600 Series thumb turn operation can be achieved by using thumb turn cylinders (by others). Accurate offers ILCO Mortise thumb turn cylinders in limited lengths and finishes. Please click [here](#) for details

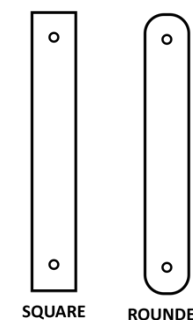
## FACEPLATE

### FACEPLATE EDGE



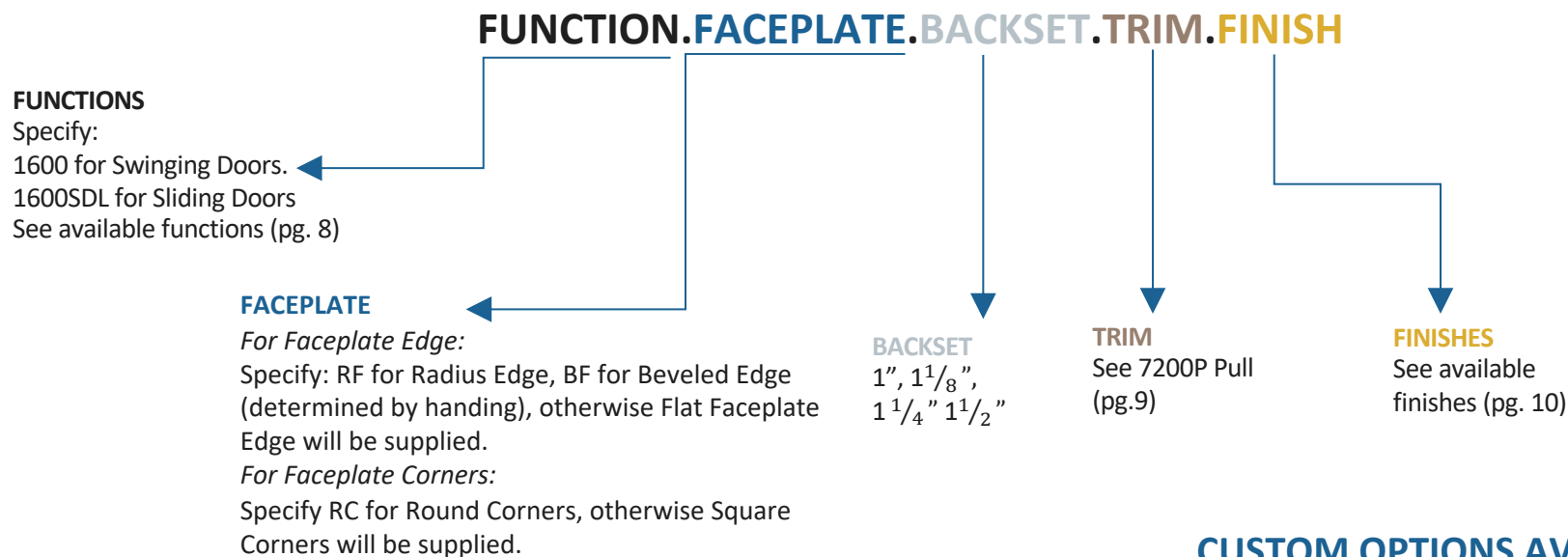
Flat Faceplate Edge furnished unless otherwise specified. Bevel Faceplate determined by handing.

### FACEPLATE CORNERS



Square Faceplate Corners furnished unless otherwise specified.

# HOW TO SPECIFY



## EXAMPLES

Single Cylinder Deadlock | Swinging Door | Radius Faceplate Round Corners

E.g.: 1601.**RFRC.118.7200P.US32D**

Entry Function | Swinging Door | Flat Faceplate Square Corners

E.g.: 1603.**1.7200P.US10B**

Single Cylinder Deadlock | Sliding Door | Beveled Faceplate Square Corners

E.g.: 1602SDL.**BF.118.7200P.US4**

## CUSTOM OPTIONS AVAILABLE

- Set up for inactive trim by other manufacturers.
- Glass Patch Narrow Backset Locks (G16).

Please contact us for assistance.

**Cylinders and cylinder thumb turns are not included.  
Please specify separately.**

\*Note: For compatibility with other manufacturers' trim please call for assistance.

**ACCURATE LOCK & HARDWARE  
MANUFACTURERS OF LOCKS AND  
CUSTOM ARCHITECTURAL HARDWARE**

1 Annie Place | Stamford, CT 06902

**P:** 203.348.8865

**F:** 203.348.5234

**E:** sales@accuratelockandhardware.com

**www.accuratelockandhardware.com**



**AMERICAN CRAFTSMAN**  
— SINCE 1972 —