



# ACCURATE

## LOCK & HARDWARE

AMERICAN CRAFTED SINCE 1972

---

### 9800ML INTERIOR MAGNETIC LATCH

FOR A SEAMLESS + MINIMALISTIC DOORWAY

## INTERIOR MAGNETIC LATCH

### 9800ML

The Magnetic Latch offers a seamless doorway to complement the most discerning design vision. A powerful, rare-earth magnet projects the latch bolt to secure the door with no visible strike. For use on standard and narrow stile doors in privacy and passage functions in a variety of finishes.



9839ML-USD PRIVACY MAGNETIC LATCH SHOWN WITH ACCESS BY ACCURATE TRIBECA LEVER



# 9800ML Magnetic Latch

**DOOR CLOSED**



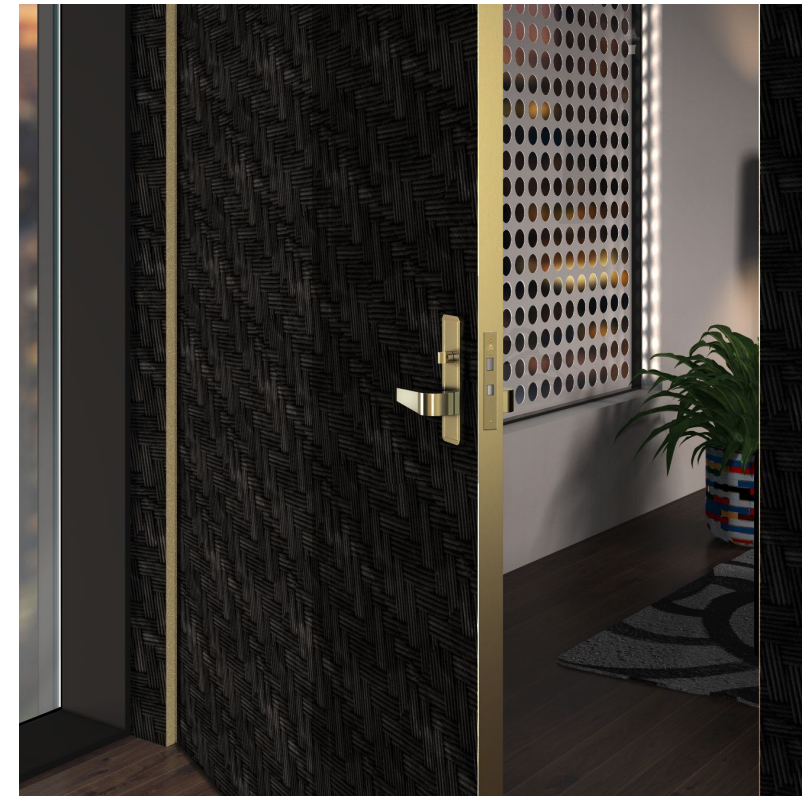
Rare-earth Magnet Pulls Latch into Strike

**STRIKE**



Non-lipped Strike is Flush to Door Jamb

**DOOR OPEN**



Latch Does Not Protrude from Lock in Open Position

# 9800ML Magnetic Latch



The invisible strike allows for a clean, minimalistic doorway. The rare-earth magnet pulls the latch into the strike, quietly securing the door.



# 9800ML Product Benefits

## TRIM

- Features 2-7/8" vertical spacing to allow for larger trim designs. For use with Accurate Trim or prepared for other manufacturers' trim, for compatibility please verify vertical spacing as well as through-bolting locations.

## HUB ADJUST

- Furnished standard with Hub Adjust Feature which keeps levers perfectly level and can easily be adjusted onsite. *(Not available on 2" backset.)*

## FUNCTIONS

- Passage, privacy and bit key functions.
- Furnished standard with European style installation (Lever High), available to order as Upside Down (Lever Low).

## SPECIAL OPTIONS

- Custom backsets, marine grade, rabbeted kits available.
- Pair with SilentPac™ Lever Dampening Disc to diminish noise by making lever return smooth and slow, avoiding the abrupt snapback of levers into place.



**9839ML PRIVACY MAGNETIC LATCH**



# 9800ML Technical Details

**BACKSETS:** 2", 2<sup>1</sup>/<sub>2</sub>", 2<sup>3</sup>/<sub>4</sub>" backset for door stiles starting at 3<sup>1</sup>/<sub>4</sub>"

(Note: lock body measures 2<sup>7</sup>/<sub>8</sub>" overall for a 2" backset)

**CASE:** Heavy Gauge Steel (<sup>3</sup>/<sub>4</sub>" thick)

**ARMOR FRONT:** Adjustable bevel. Made from brass, bronze or stainless steel and finished as required.

**LATCH BOLT:** <sup>7</sup>/<sub>16</sub>" throw. Magnetic stainless steel.

**DEADBOLT:** Brass or stainless steel. <sup>1</sup>/<sub>2</sub>" throw.

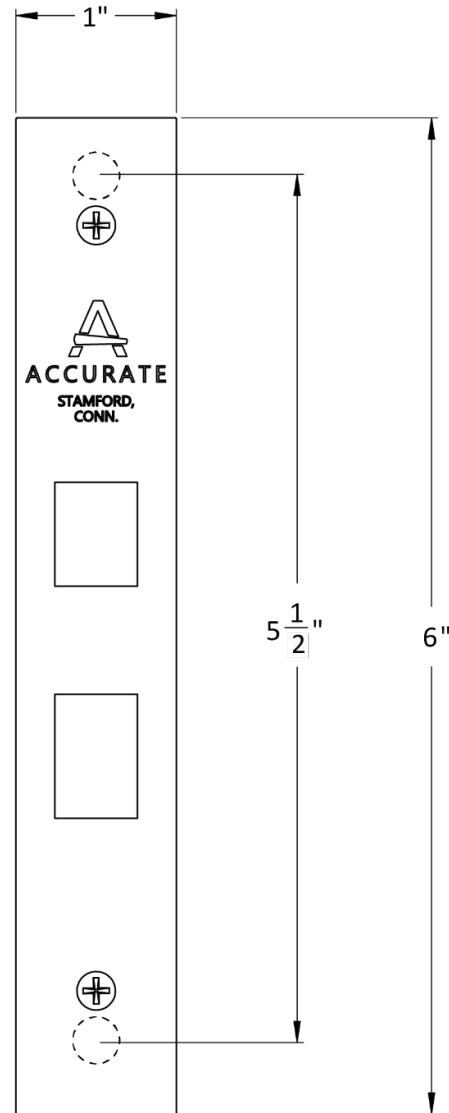
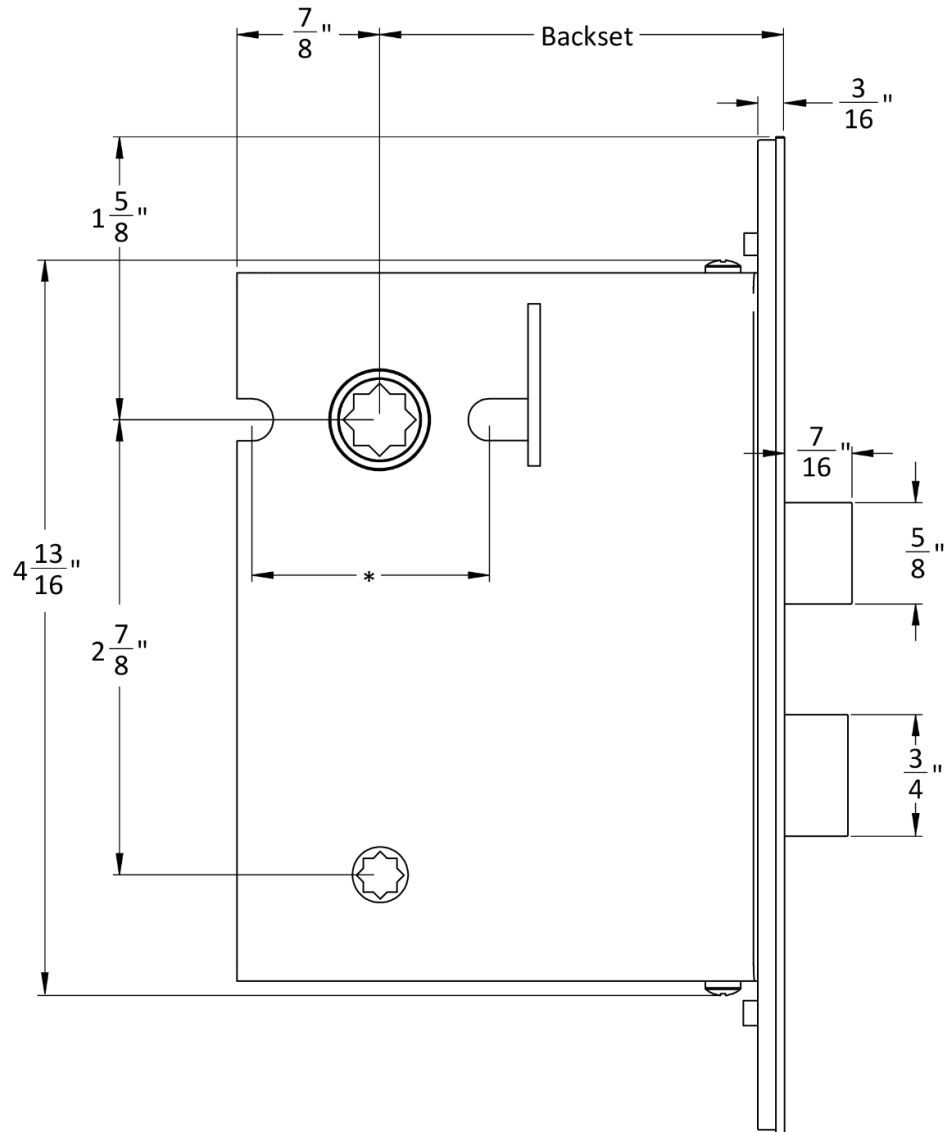
**HUBS:** Available in different sizes to be compatible with various trim options.

**THUMB TURN HUB:** <sup>3</sup>/<sub>16</sub>" (5mm). Special 6mm square hub available as special order.



**9839ML PRIVACY MAGNETIC LATCH**

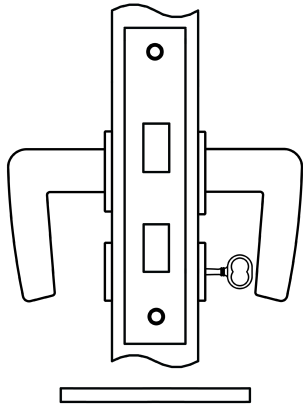
# 9800ML Dimensions



Backset 2", 2 $\frac{1}{2}$ ", or 2 $\frac{3}{4}$ "  
 Custom backsets are available upon request.

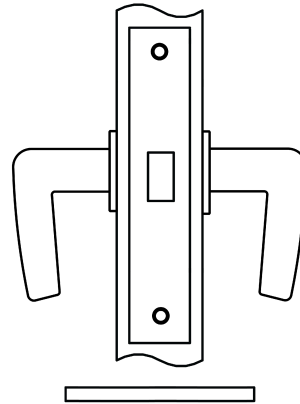
9839ML PRIVACY MAGNETIC LATCH

# 9500ML Functions



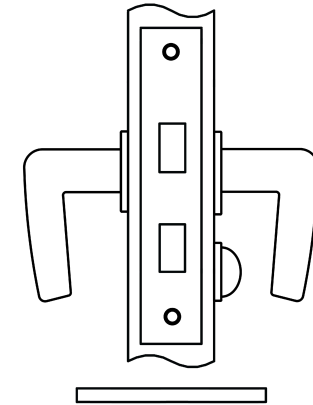
## **9824ML** **INTERIOR BIT KEY MAGNETIC LATCH**

Latch bolt by knob or lever either side.  
Deadbolt by bit key inside and outside.  
One solid brass bit key furnished with each lock.



## **9825ML** **INTERIOR PASSAGE MAGNETIC LATCH**

Latch bolt by lever either side



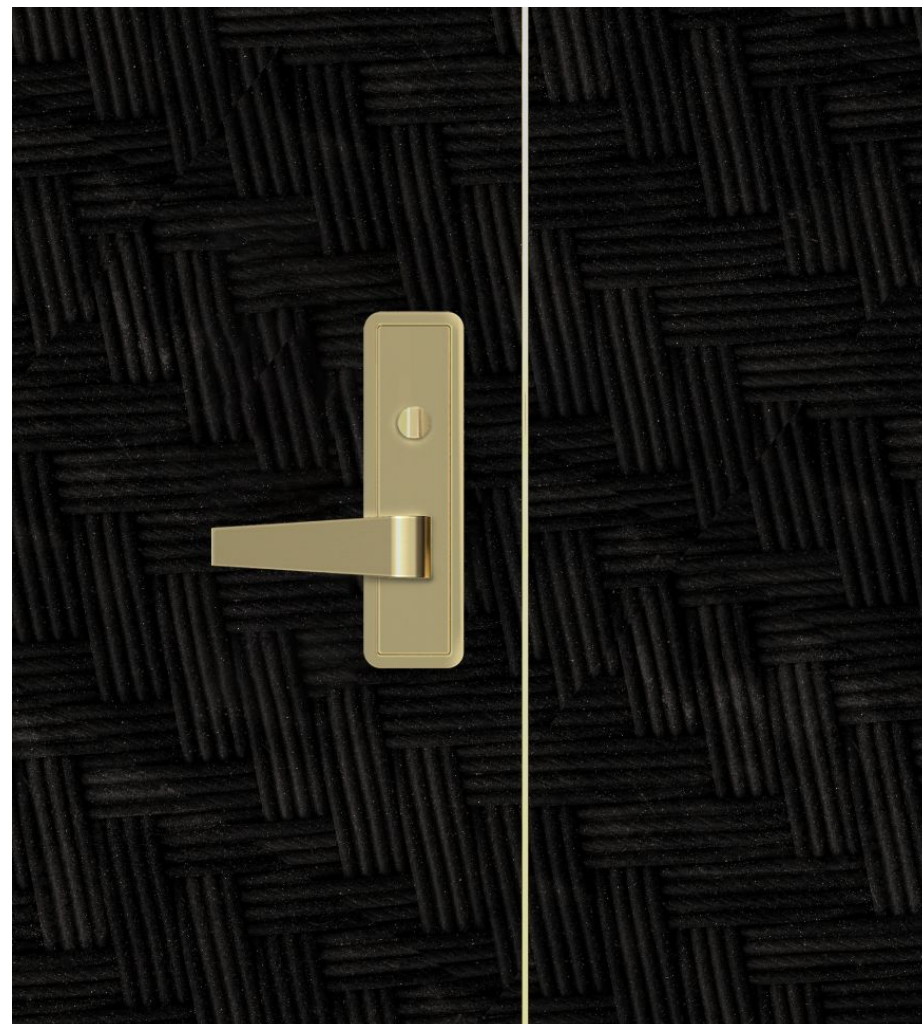
## **9839ML** **INTERIOR PRIVACY MAGNETIC LATCH**

Latch bolt by knob or lever either side.  
Deadbolt by turn piece inside and optional emergency key outside.



# 9800ML Trim Example

**ACCESS BY ACCURATE  
TRIBECA PRIVACY SET**

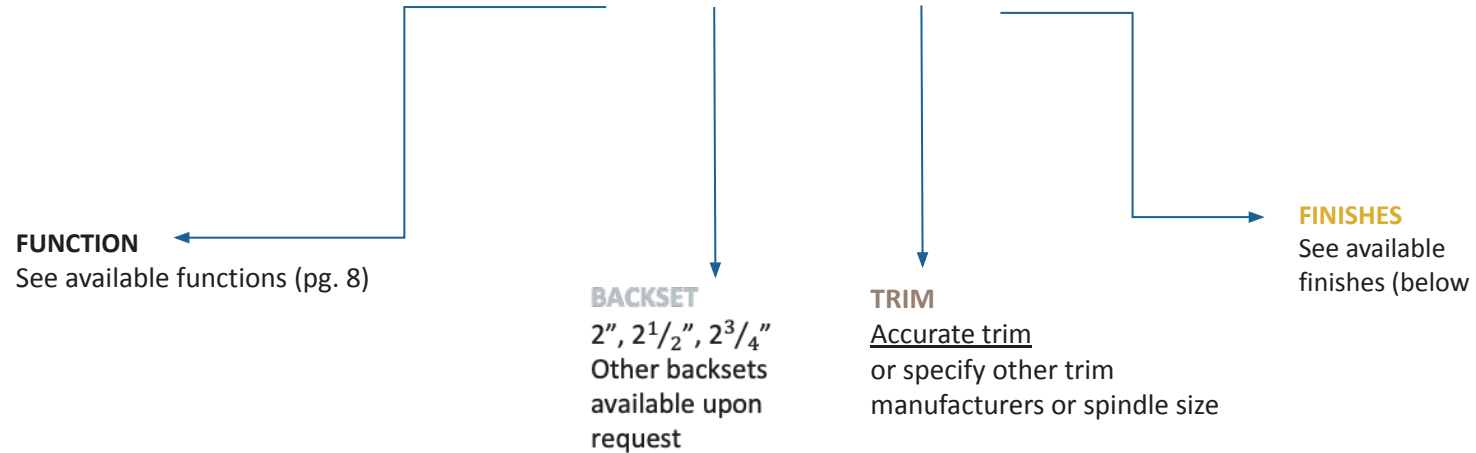


**SEE MORE: [Access by Accurate Trim Options](#)**

**SEE MORE: [Accurate Trim Options](#)**

# HOW TO SPECIFY

FUNCTION.BACKSET.TRIM.FINISH.DOORTHICKNESS



## EXAMPLES

Interior Magnetic Latch | Privacy | Accurate Trim  
E.g.: 9839ML.212.29L/1R.US26D.134

Interior Magnetic Latch | Passage | Accurate Trim  
E.g.: 9825ML.234.19L/1R.US4.134

Interior Magnetic Latch | Bit Key | Other Manufacturers' Trim  
E.g.: 9824ML.2.LxL.8mm.US19.134

*\*Note: For compatibility with other manufacturers' trim please call for assistance.*

## ACCURATE TRIM

Specify Accurate levers, roses, escutcheons, pulls, etc. [Click or scan to see trim options.](#)



SCAN HERE

## FINISHES

**GROUP 1:** US4, US4NL, US32D\*, US26D

**GROUP 2:** US3, US3NL, US26, US32\*, US9\*, US10\*, US10B, US14, US15, US19

**GROUP 3:** BN, BB, TN, TB, DURO, ESN, US15A, US5, US19LL

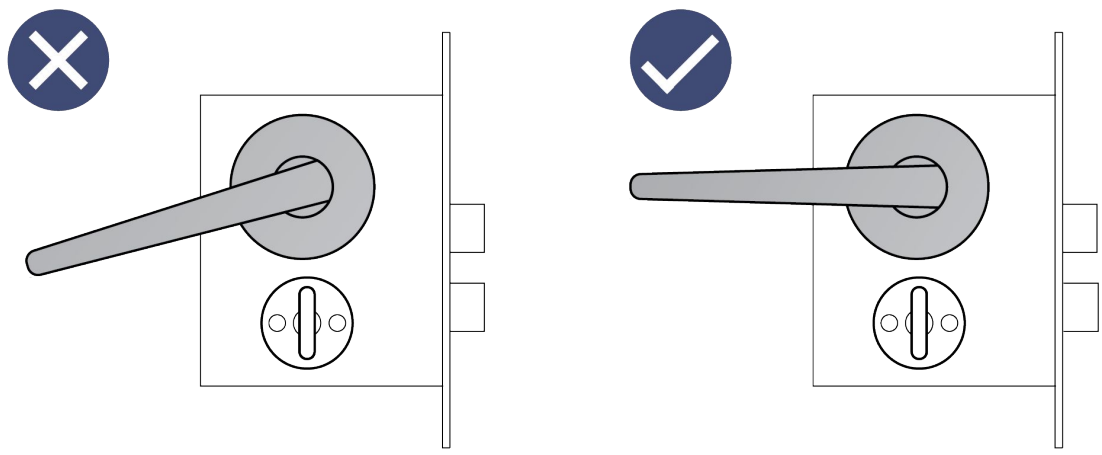
\* Trim options (including Accurate Levers) may not be available in US32D, US32, US9, or US10 finish. Please call for assistance.

To view example of finishes visit: [Accurate Finishes.](#)

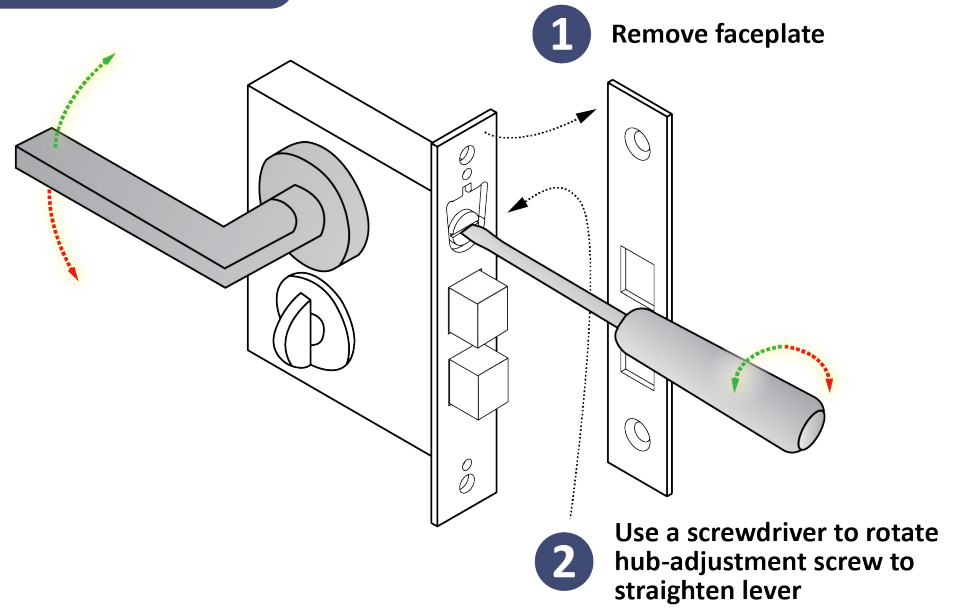
# HUB ADJUST FEATURE

Standard feature on 9500ML/9800ML

*(Not available on 2" Backset)*



## How To:



**ACCURATE LOCK & HARDWARE**  
**MANUFACTURERS OF LOCKS AND**  
**CUSTOM ARCHITECTURAL HARDWARE**

1 Annie Place | Stamford, CT 06902

**P:** 203.348.8865

**F:** 203.348.5234

**E:** sales@accuratelockandhardware.com

**www.accuratelockandhardware.com**



**AMERICAN CRAFTED**  
**— SINCE 1972 —**