



ACCURATE LOCK & HARDWARE

AMERICAN CRAFTED SINCE 1972

8700/8800 Mortise Locks

STRONG, VERSATILE LOCKS FOR NARROW STILE DOORS



8700/8800 SERIES NARROW BACKSET MORTISE LOCK

NEW | ANTI-FRICTION LATCH

The popular lock for narrow stile doors will now feature an anti-friction latch. This smoother, upgraded latch will result in more reliable closing, higher performance and overall better operation by reducing friction when it engages with the strike. Pair with Accurate lever trim in a variety of finishes and functions.

8700/8800 Series

DESIGNED WITH 'STILE' IN MIND

- Narrow backsets including 1¹/₂" , 1³/₄" , 2" , and 2¹/₄"

EMERGENCY EGRESS

- Single-action egress on functions with latch and deadbolts, activating the inside handle will retract latch bolt and deadbolt simultaneously

APPLICATIONS

- Standard Lever x Lever (LxL) or Knob x Knob (KxK) applications (can be custom made to accept Thumb Grip x Lever or Thumb Grip x Knob)
- Available for upside down, European-style installation
- Can be customized for use on rabbeted doors (with standard or traditional style rabbeted kits)

VARIETY OF TRIM

- For use with Accurate's trim or custom fitted for most manufacturers' sectional (rose) trim*

UPGRADE OPTIONS

- Available in [Motor Drive Electrified](#) options and compatible with [SilentPac™ Lever Dampening Disc](#)

* Please call for assistance when using escutcheons

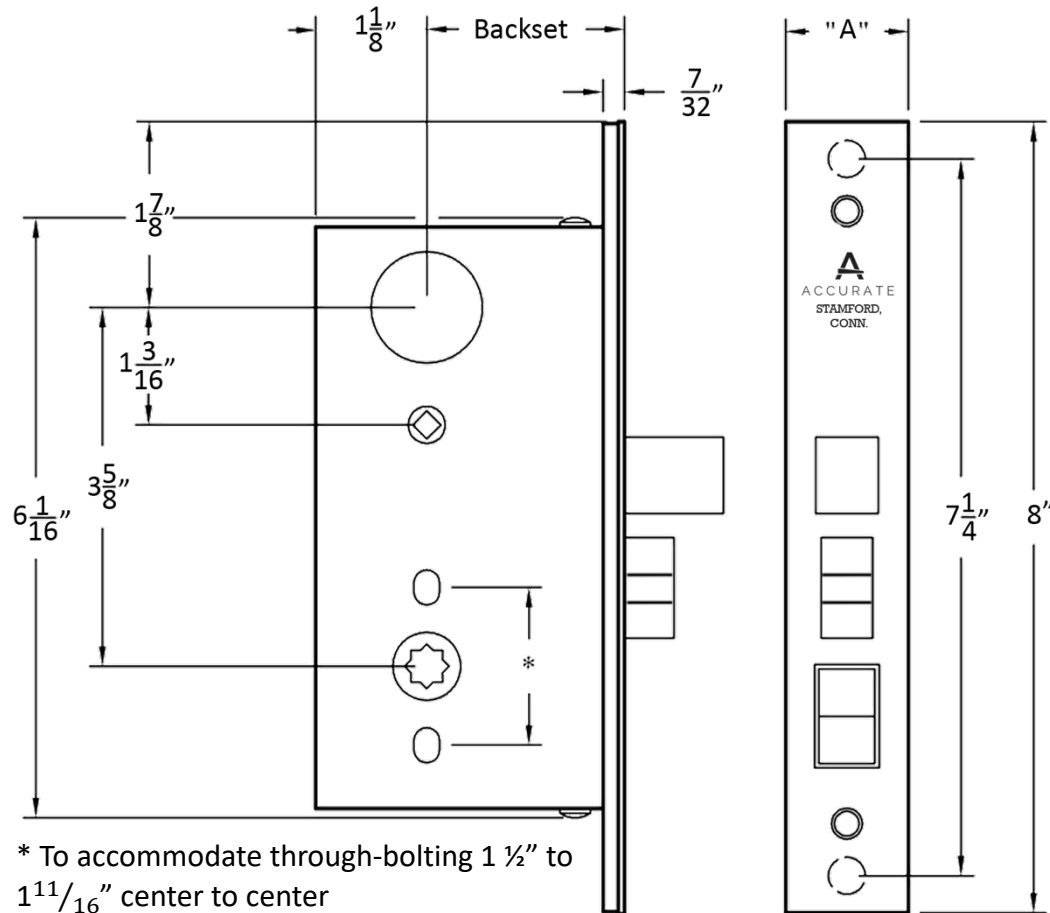


NEW ANTI-FRICTION LATCH

For smoother operation and improved performance.

**Furnished standard as of
August 1, 2021**

8700/8800 Series: Technical Details



BACKSET: $1\frac{1}{2}$ ", $1\frac{3}{4}$ ", 2", $2\frac{1}{4}$ "

CASE: Heavy gauge, plated steel ($\frac{15}{16}$ " thick)

ARMOR FRONT: Adjustable bevel brass, bronze, or stainless steel, finished as required (see all finish options [here](#)).

LATCH BOLT: Brass, anti-friction type $\frac{1}{2}$ " throw (solid latch bolt available as a special order). See lock functions for certain exclusions.

DEADBOLT: Brass, 1" throw. (Other throw sizes available as a custom order. Please call for assistance.)

STRIKE: $4\frac{7}{8}$ " ASA

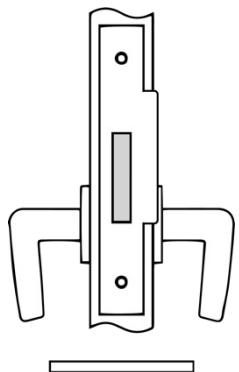
HUBS: Available in different sizes to be compatible with various trims.

THUMB TURN HUB: $\frac{3}{16}$ " (5mm) on the diamond

DUST BOX: Brass, stainless steel or oil rubbed bronze

A:
 $1\frac{1}{4}$ " (8800 locks, for $1\frac{3}{4}$ " thick doors)
 1" (8700 locks, for $1\frac{3}{8}$ " thick doors)

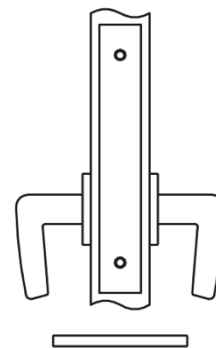
8700/8800 Series: Functions



8700ADLS/8800ADLS ACTIVE DUMMY LOCK AS STRIKE

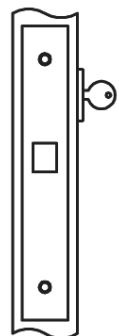
Active handles inside and outside.

For use on “dummy door” (in double door applications).



8700ADL/8800ADL ACTIVE DUMMY LOCK

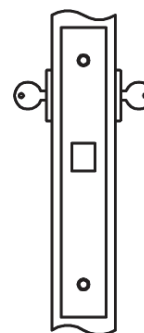
Active handles inside and outside.



8701/8801 DEADLOCK (ANSI SERIES 1000-F18)

Deadbolt by key outside.

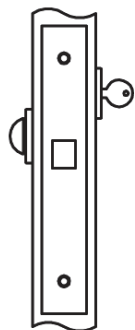
No inside operation.



8702/8802 DEADLOCK (ANSI SERIES 1000-F16)

Deadbolt by key either side.

8700/8800 Series: Functions



8703/8803 **DEADLOCK (ANSI SERIES 1000-F17)**

Deadbolt by key outside and turn piece inside.



8704/8804 **DEADLOCK**

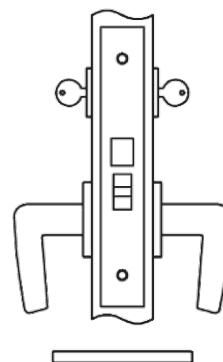
Deadbolt by turn piece inside.

No outside operation.



8705/8805 **DEADLOCK**

Deadbolt by turn piece inside and emergency key outside.



8722/8822* **STORE DOOR (ANSI SERIES 1000-F14)**

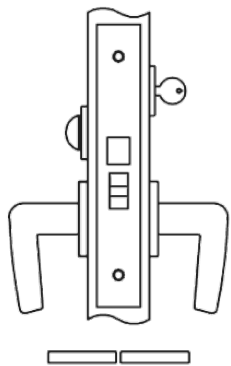
Latch bolt by lever either side.

Deadbolt by key either side.

No emergency egress.

***Solid latch bolt furnished standard on 1-1/2" backset**

8700/8800 Series: Functions

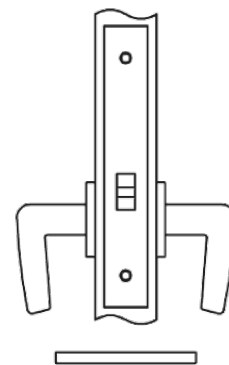


8724/8824* **DORMITORY (ANSI SERIES 1000-F13)**

Latch bolt by lever either side.

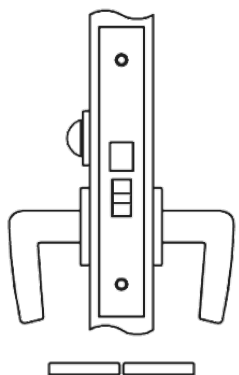
Deadbolt by key outside, thumb turn inside.

A turn of the inside lever retracts latch and deadbolt simultaneously, automatically unlocking outside lever.



8725/8825 **PASSAGE (ANSI SERIES 1000-F01)**

Latch bolt by lever either side.

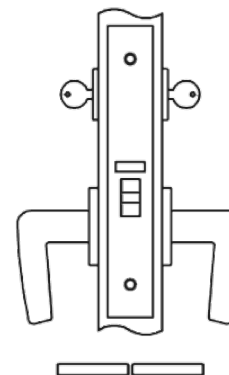


8739/8839* **PRIVACY (ANSI SERIES 1000-F19)**

Latch bolt by lever either side.

Deadbolt by turn piece inside, optional emergency key outside.

A turn of inside lever retracts latch and deadbolt simultaneously, automatically unlocking outside lever.



8742/8842 **ENTRANCE/PUBLIC RESTROOM** **(ANSI SERIES 1000-F09)**

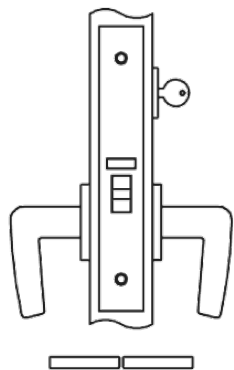
Latch bolt by lever either side unless outside lever is locked by Master Key from inside.

When outside lever is locked, latch bolt by key outside and lever inside.

Auxiliary latch deadlocks latch bolt.

***Solid latch bolt furnished standard on 1-1/2" backset**

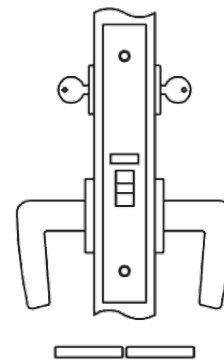
8700/8800 Series: Functions



8745/8845 CLASSROOM (ANSI SERIES 1000-F05)

Latch bolt by key outside and lever either side unless outside lever is locked by key.

Auxiliary latch deadlocks latch bolt.

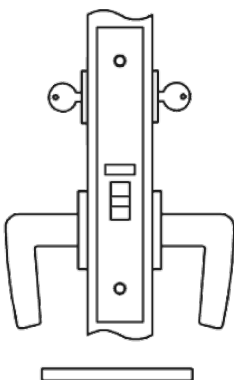


8745S/8845S CLASSROOM SECURITY (ANSI SERIES 1000-F88)

Latch bolt by lever either side unless outside lever is locked by Master Key from inside.

When outside lever is locked, latch bolt by key outside and lever inside.

Auxiliary latch deadlocks latch bolt.



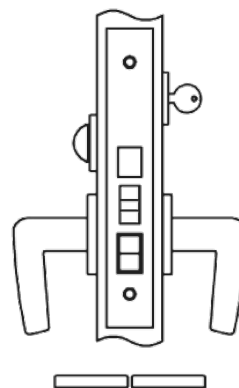
8746/8846 CLASSROOM DOUBLE LOCKING

Latch bolt by key from either side.

Key from either side locks and unlocks outside **and** inside* levers.

Auxiliary latch deadlocks latch bolt.

**Inside lever is not always free. Verify code compliance before using this function*



8748/8848* ENTRANCE/APARTMENT (ANSI SERIES 1000-F12)

Latch bolt by key outside and lever either side unless outside lever is locked by toggle action stop.

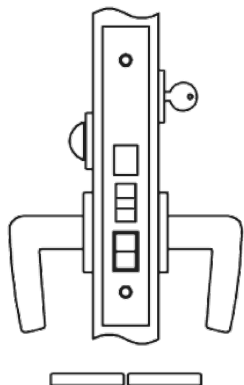
Deadbolt by key outside and turn piece inside.

Turning inside lever retracts latch and deadbolt simultaneously.

Outside lever remains locked until manually unlocked by toggle.

***Solid latch bolt furnished standard on 1-1/2" backset**

8700/8800 Series: Functions



8749/8849*

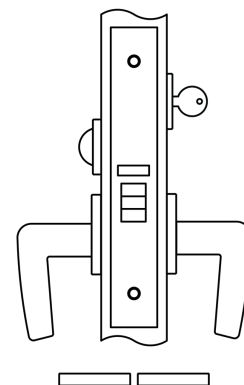
ENTRANCE OR APARTMENT

Latch bolt by key outside and lever either side unless outside lever is locked by toggle action stop.

Deadbolt by key outside and turn piece inside.

Turning inside lever retracts latch and deadbolt simultaneously.

Outside lever remains unlocked until manually locked by toggle or projection of deadbolt.



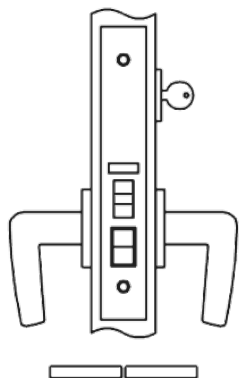
8753/8853

ENTRANCE OR OFFICE (ANSI SERIES 1000-F04)

Latch bolt by key outside and lever either side unless outside lever is locked by thumb turn or key.

Key or thumb turn locks or unlocks outside lever.

Auxiliary latch deadlocks latch bolt.



8756/8856

ENTRANCE OR OFFICE (ANSI SERIES 1000-F04)

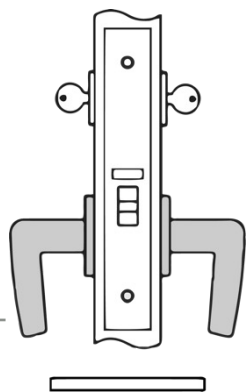
Latch bolt by key outside and lever either side unless outside lever is locked by toggle-action stop.

Auxiliary latch deadlocks latch bolt.

***Electrified lock functions available under
M8800E and M8800ELR***

***Solid latch bolt furnished standard on 1-1/2" backset**

8700/8800 Series: Functions



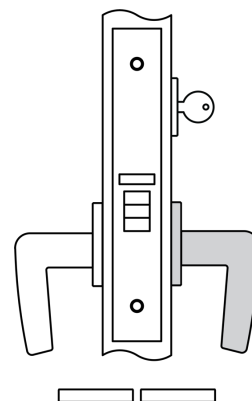
8758/8858 INSTITUTIONAL

Latch bolt by key either side.

Inside* and outside lever always **rigid**.

Auxiliary latch deadlocks latch bolt.

**Verify code compliance before using this function.*



8759/8859 STOREROOM OR CLOSET (ANSI SERIES 1000-F07)

Latch by lever inside and key outside.

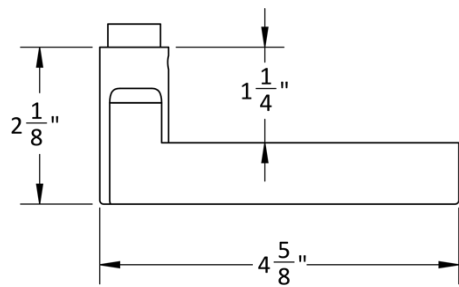
Outside lever always **rigid**.

Auxiliary latch deadlocks latch bolt.

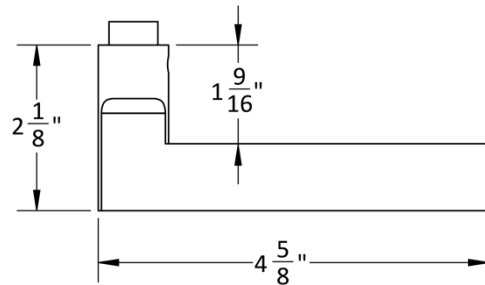
***Solid latch bolt furnished standard on 1-1/2" backset**

Accurate Lever Trim

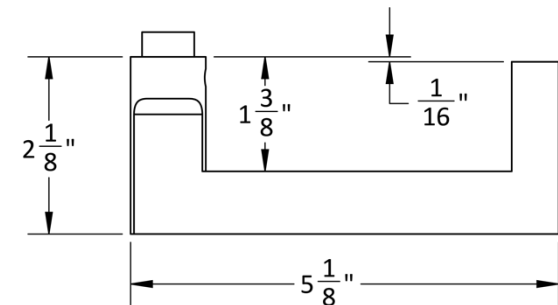
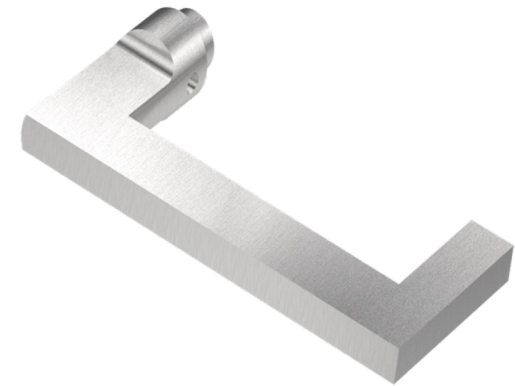
18L LEVER



19L LEVER

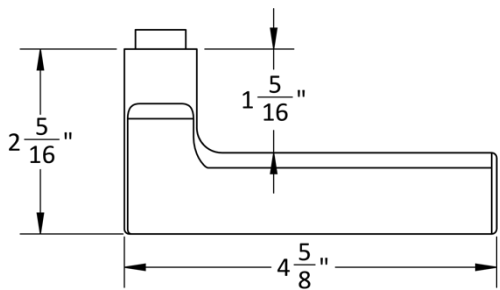


20L LEVER

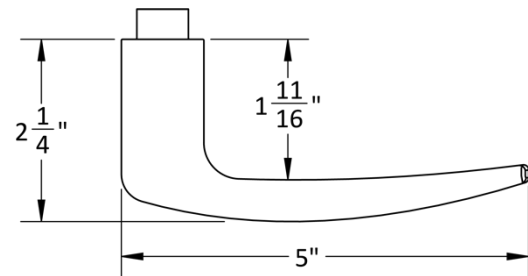


Accurate Lever Trim

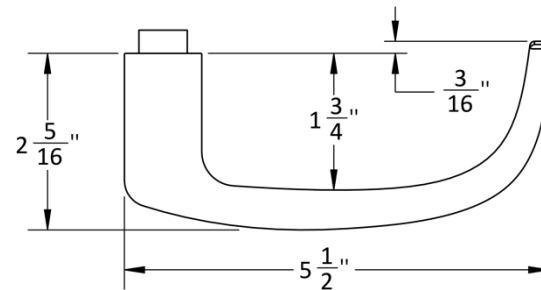
21L LEVER



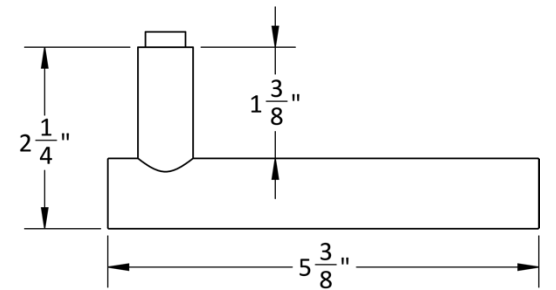
29L LEVER



39L LEVER



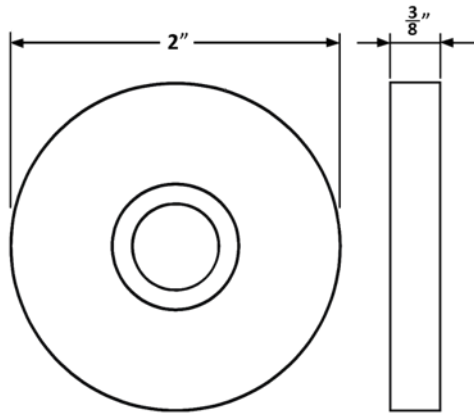
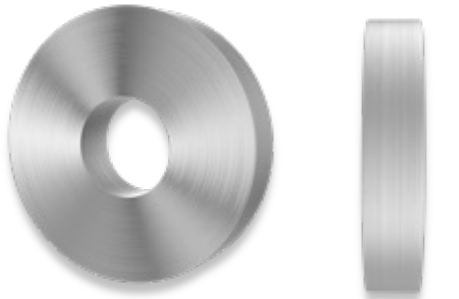
72L LEVER



Accurate Rose Options

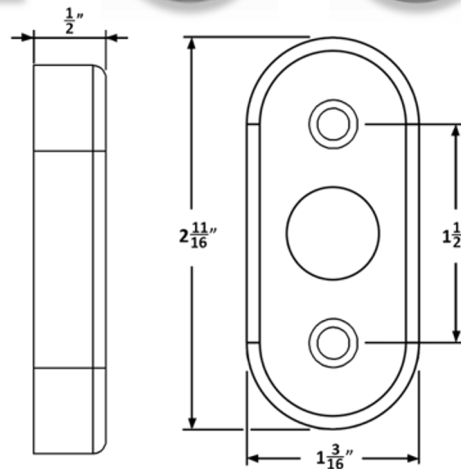
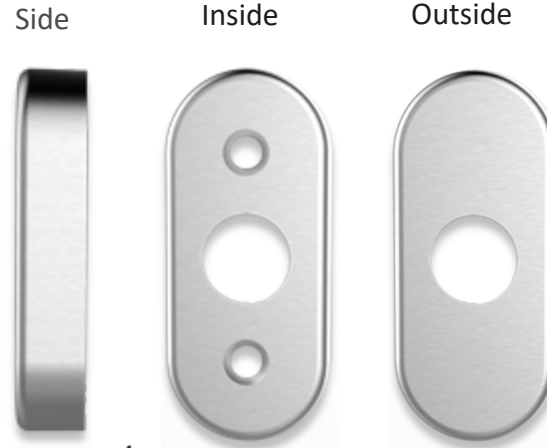
COMPATIBLE WITH ALL ACCURATE LEVERS

1R ROSE



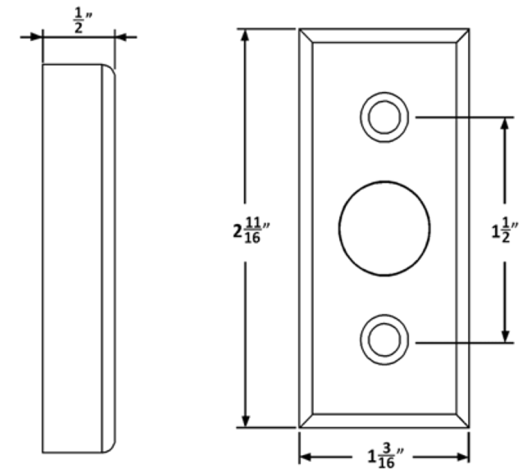
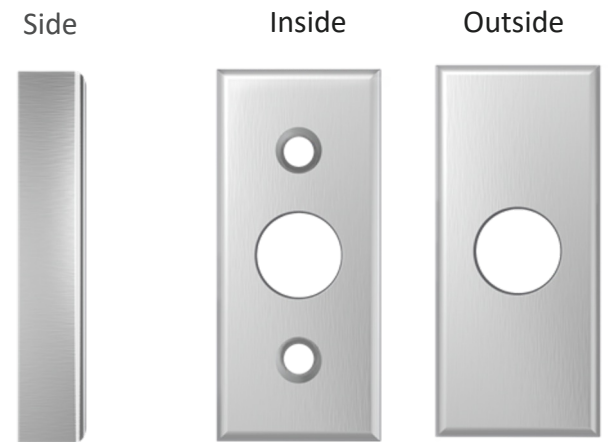
SILENTPAC™ LEVER DAMPENING DISC CAN BE SPECIFIED WITH THE 1R ROSE VISIT SILENTPACSOLUTIONS.COM

2R ROSE



SURFACE MOUNTED ONLY (due to thru bolting hole locations on the lock body)

4R ROSE

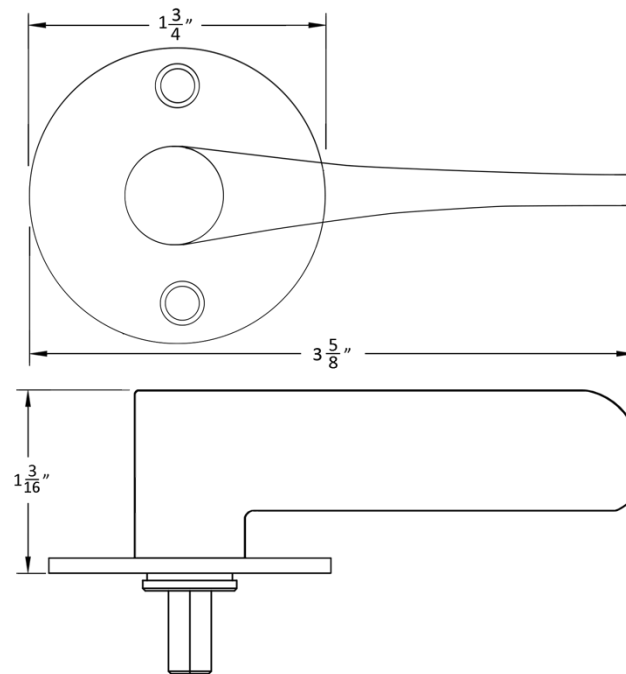
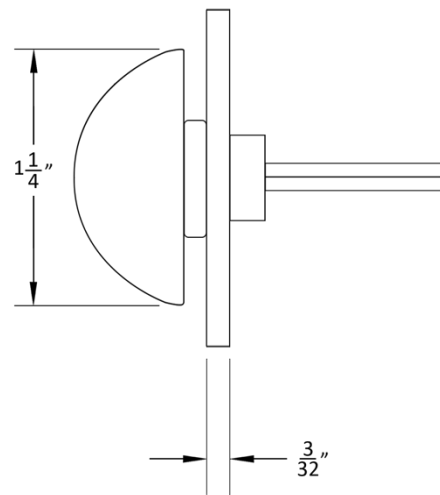
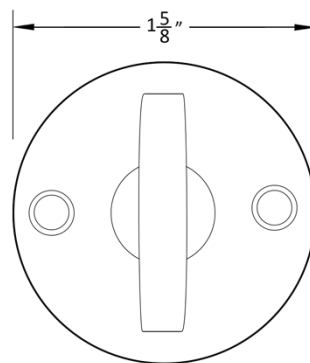


Accurate Thumb Turns

GF1106

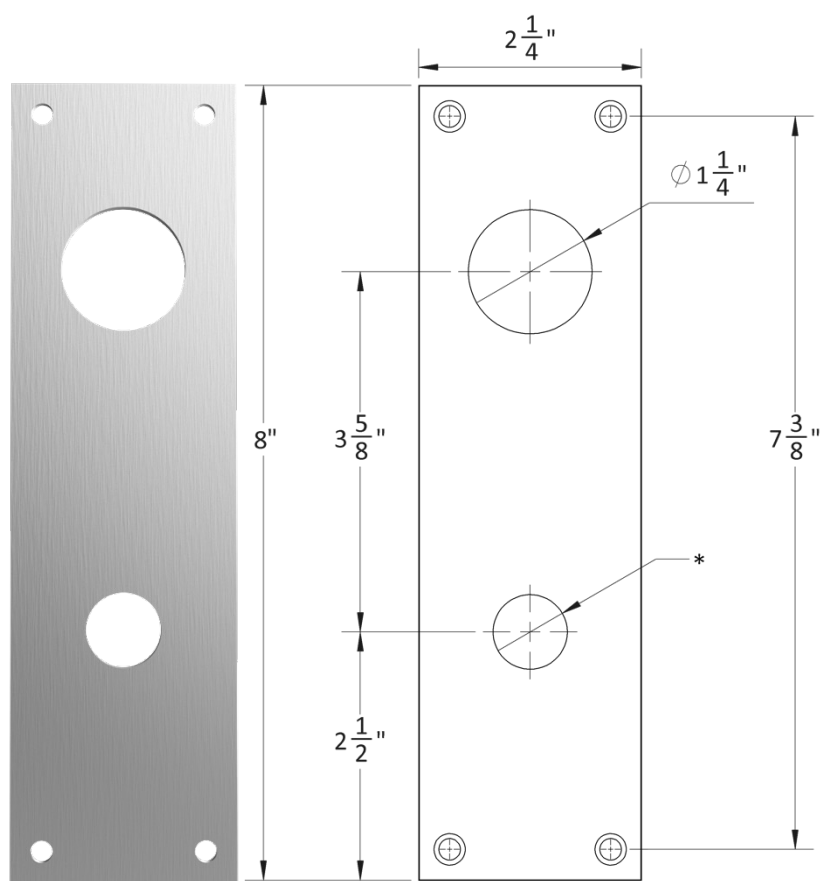


7200ADA



Accurate Escutcheons

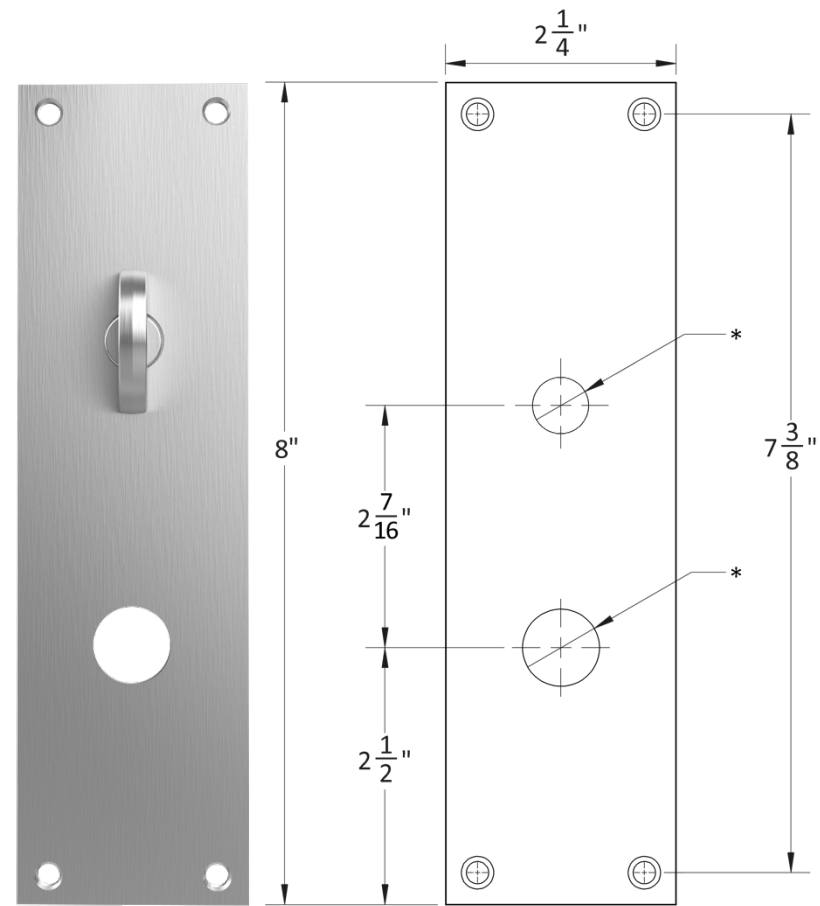
1E-C x 1E-T



1E-C

Cylinder
Cutout

* Dimensions may vary depending on trim



1E-T

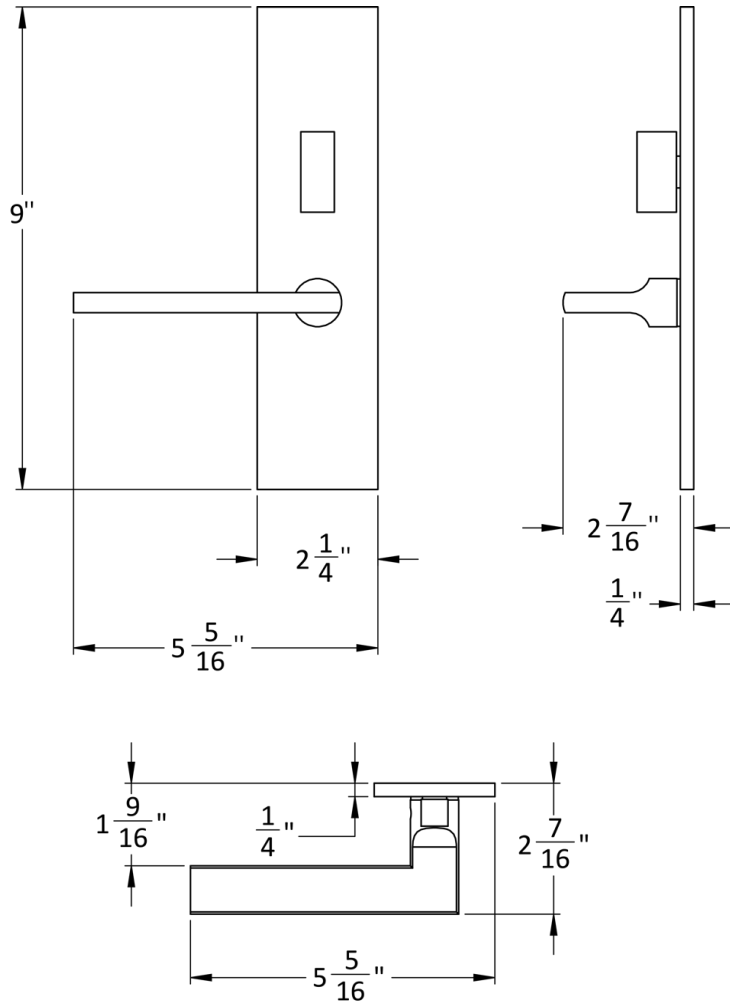
Thumb Turn

* Dimensions may vary depending on trim

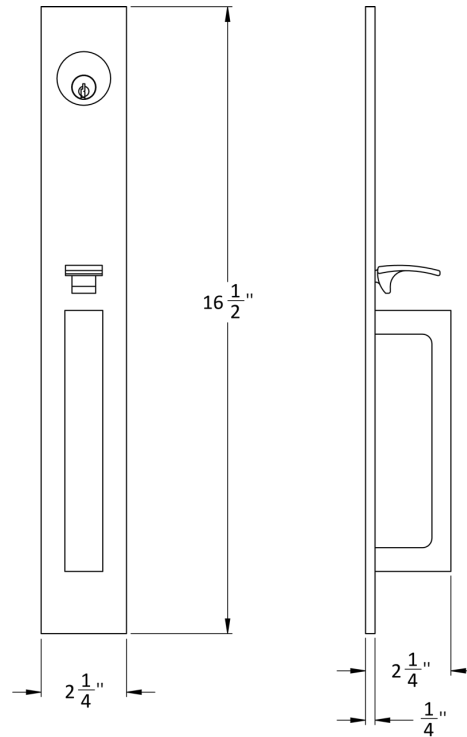
5000TG Thumb Grip Entry Set Trim

INTERIOR TRIM

Shown with 19L Lever



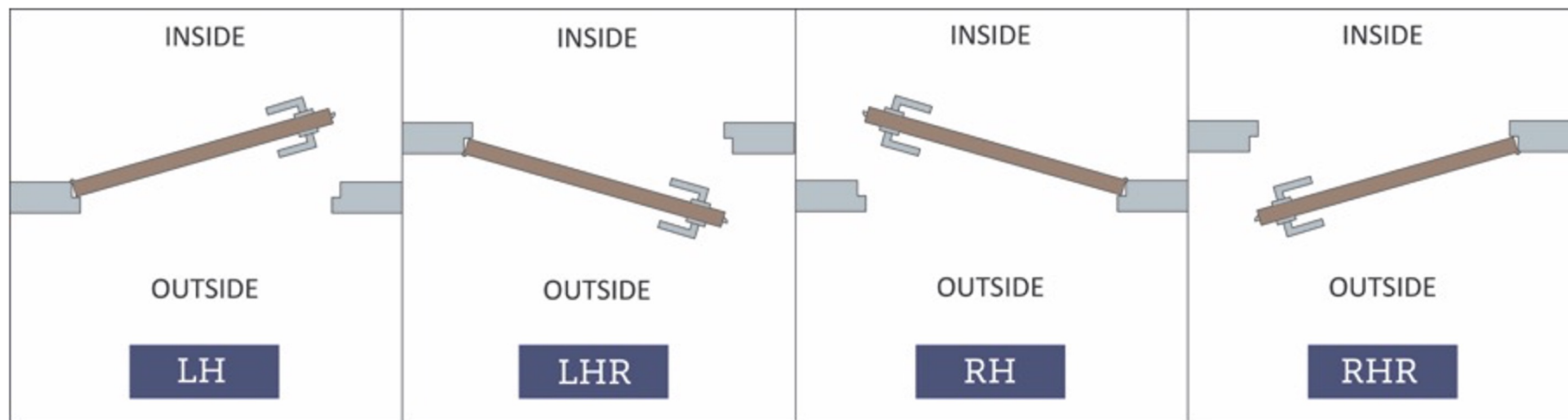
EXTERIOR TRIM



SCAN TO LEARN MORE

HOW TO SPECIFY

HANDING



FINISHES

GROUP 1: US4, US4NL, US32D*, US26D

GROUP 2: US3, US3NL, US26, US32*, US9*, US10*, US10B, US14, US15, US19

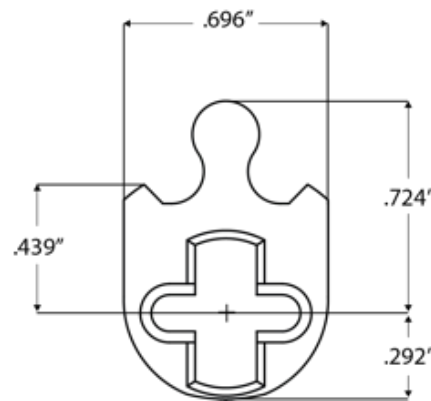
GROUP 3: BN, BB, TN, TB, DURO, ESN, US15A, US5

Cerakote Premium Protective Coating available (gloss or matte).

** Trim options (including Accurate Levers) may not be available in US32D, US32, US9, or US10 finish. Please call for assistance.*

To view example of finishes visit: [Accurate Finishes](#).

CYLINDERS & KEYING



8700/8800 Series locks accept any standard American mortise cylinder. For details on required cams and compatibility with other manufacturers' cylinders, please visit: [Accurate Support](#).

HOW TO SPECIFY

FUNCTION.BACKSET.TRIM.FINISH.HAND.DOORTHICKNESS

FUNCTIONS

See available functions (pg. 5-9)

BACKSET

1 ½", 1 ¾", 2", 2 ¼"

TRIM

Accurate Trim (pg. 10-15)

Other manufacturers' sectional (rose) Trim (specify hub size or brand)**

Standard Configurations:

- LxL, KxK
 - (Custom TPxK/TPxL where applicable (call for assistance))

FINISHES

See available finishes (pg.16)

EXAMPLES

Classroom Lock | Other Manufacturers' Trim

E.g.: 8845.2.LxL.8mm.US26D.RH.214

Entry Lock | Custom Set Up for Thumb Grip x lever | Other Manufacturers' Trim

E.g.: 8824.214.TPxL.7.2mm.US3.LH.134

Office Lock | Accurate Trim | Cerakote Gloss

E.g.: 8856.134.29L/2R.US10B.CG.RH.134

Privacy Lock | Upside Down | Accurate Trim

E.g.: 8739USD.134.LxL.18L/1R.US4.LHR.138

NOTES

FURNISHED STANDARD WITH ANTI-FRICTION LATCH BOLT AS OF AUGUST 1, 2021 (solid latch bolt available, special order).

****Solid latch bolt furnished standard on 1-1/2" backset functions with deadbolts. See functions for certain exclusions.***

*****For compatibility, please verify vertical spacing as well as through-bolting locations or call for assistance.***

**ACCURATE LOCK & HARDWARE
MANUFACTURERS OF LOCKS AND
CUSTOM ARCHITECTURAL HARDWARE**

1 Annie Place | Stamford, CT 06902

P: 203.348.8865

F: 203.348.5234

E: sales@accuratelockandhardware.com

www.accuratelockandhardware.com



AMERICAN CRAFTED
— SINCE 1972 —