



ACCURATE
LOCK & HARDWARE
AMERICAN CRAFTED SINCE 1972

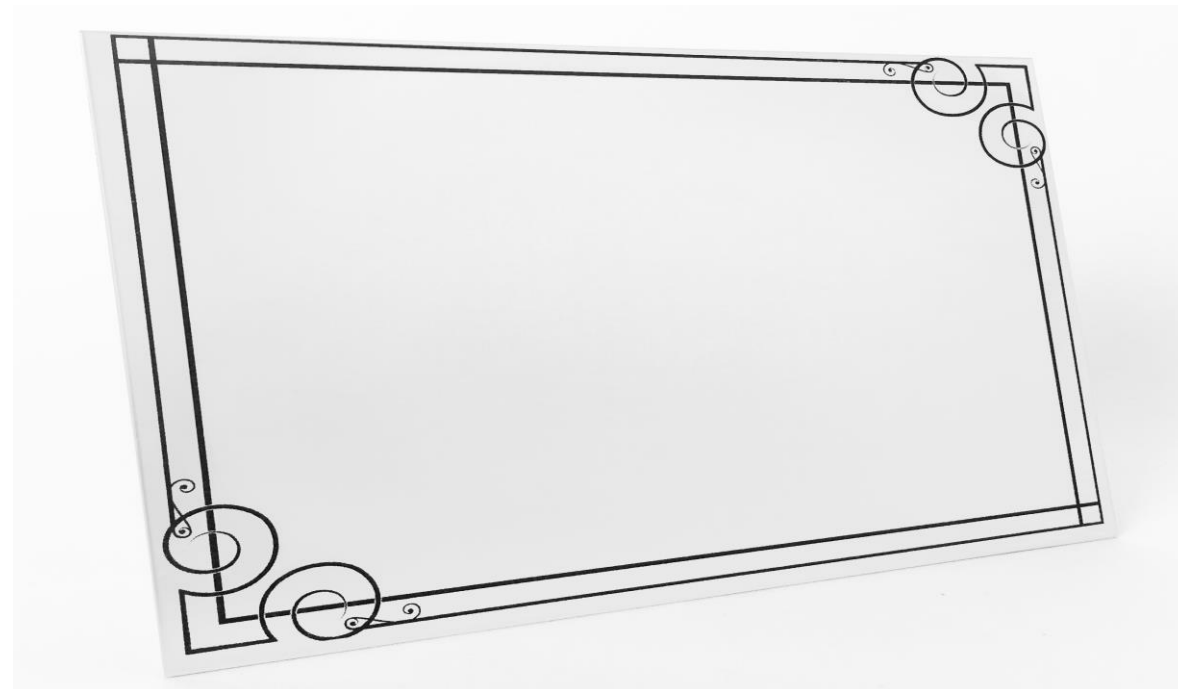
Ligature Resistant Mirrors

Stainless Steel Mirrors for Behavioral Healthcare Applications

Ligature Resistant Mirrors

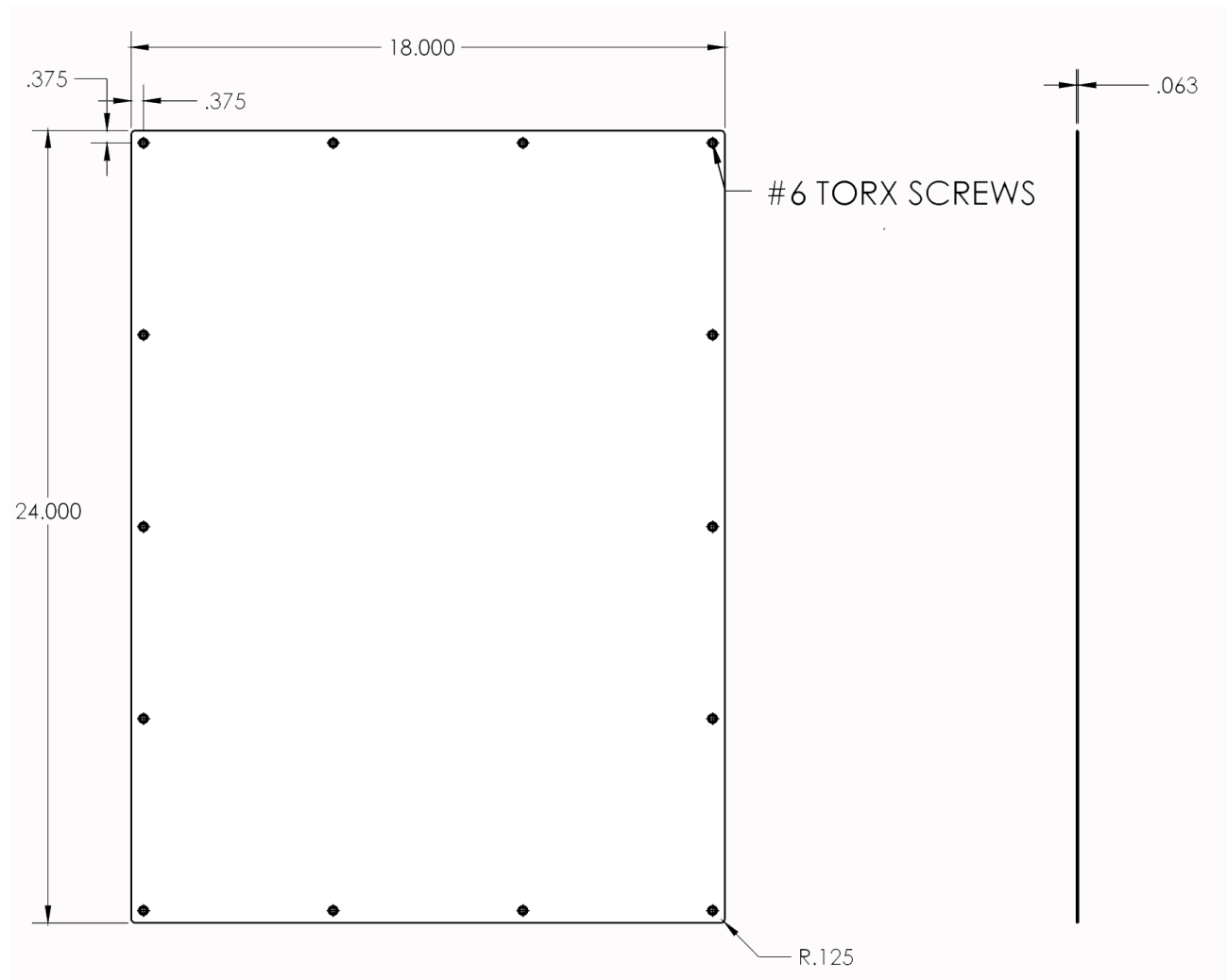
LR-MIRROR

- Shatter-proof, made from STAINLESS STEEL material
- Frameless, 1/16" thick for minimal projection from wall
- Easy installation
- Supplied with Torx® screws
- Available in different sizes and shapes
- Custom etching available for a non-institutional look



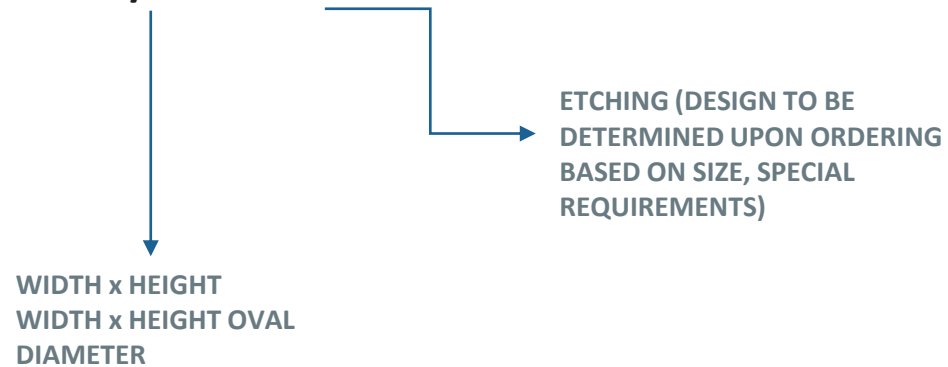


LR-MIRROR.18x24 SPEC



HOW TO SPECIFY

LR-MIRROR.SIZE/SHAPE.OPTIONS



EXAMPLES

18 x 24 rectangular, no etching

E.g. LR-MIRROR.18x24

18 x 24 oval, no etching

E.g. LR-MIRROR.18x24 OVAL

16 ROUND, no etching

E.g. LR-MIRROR.16 ROUND

**ACCURATE LOCK & HARDWARE
MANUFACTURERS OF LOCKS AND
CUSTOM ARCHITECTURAL HARDWARE**

1 Annie Place | Stamford, CT 06902

P: 203.348.8865

F: 203.348.5234

E: sales@accuratelockandhardware.com

www.accuratelockandhardware.com



**AMERICAN CRAFTED
— SINCE 1972 —**