



ACCURATE  
LOCK & HARDWARE  
AMERICAN CRAFTED SINCE 1972

---

M1700E Motor Drive Electrified Narrow Backset Mortise Lock

ACCESS CONTROL FOR ULTRA NARROW STILE DOORS



## MOTOR DRIVE ELECTRIFIED NARROW BACKSET MORTISE LOCK

This ultra narrow backset lock is the newest introduction to our electromechanical line of mortise locks is designed for use on glass doors with aluminum stiles and eliminates the need for unsightly electric strikes. Pair with a variety of decorative or commercial trim options to do more with less.

# M1700E

**BACKSET:** 1<sup>1</sup>/<sub>8</sub>"

**CASE:** Heavy gauge, stainless steel

**ARMOR FRONT:** Brass, bronze, aluminum or stainless steel, finished as required. Faceplate options: flat (default), radius or beveled

**LATCH BOLT:** Brass or stainless steel, solid type 1/2" throw

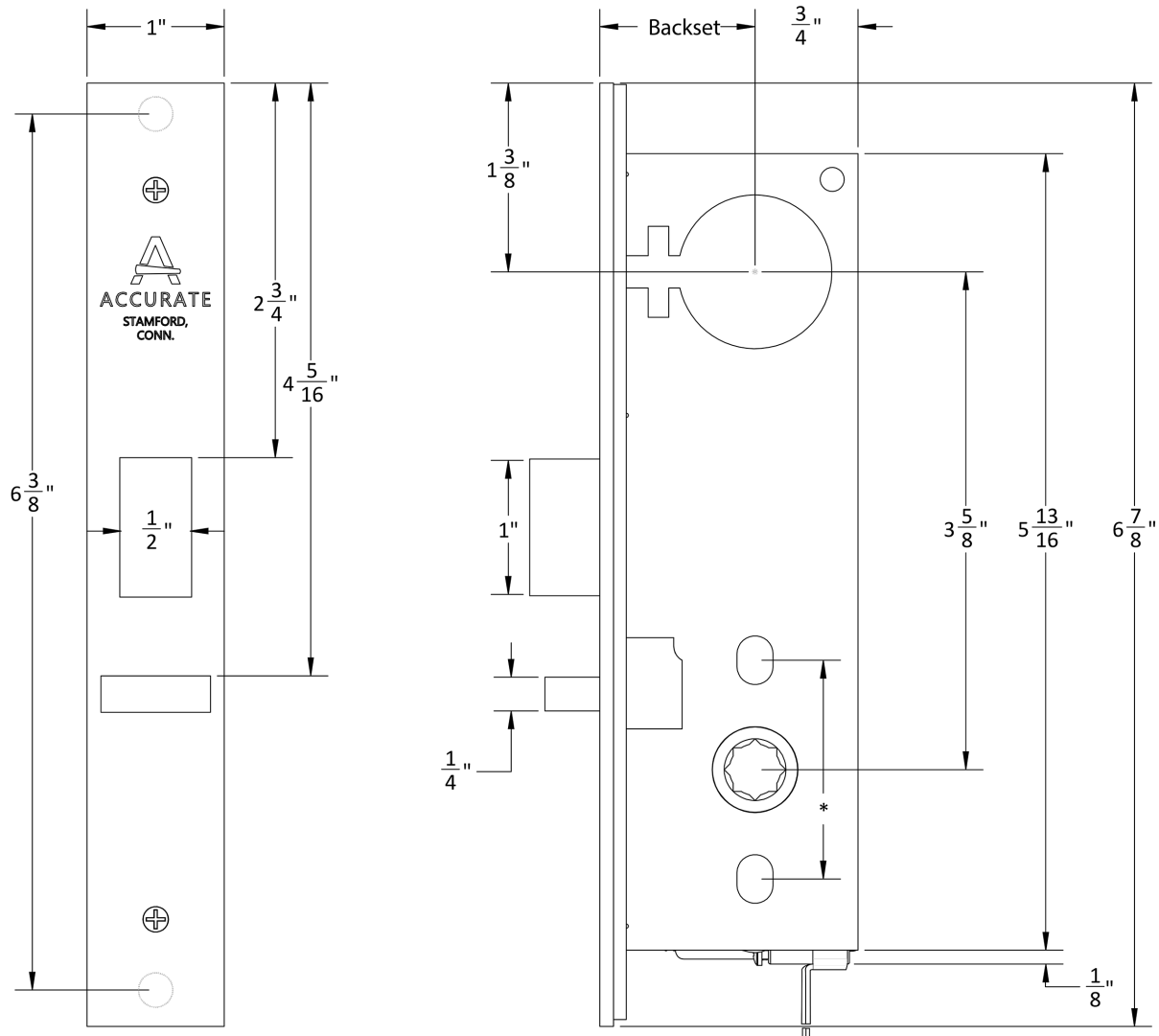
**STRIKE:** 4<sup>7</sup>/<sub>8</sub>" ASA

**HUBS:** Available in different sizes to be compatible with various trim

**DUST BOX:** Brass, stainless steel or oil rubbed bronze

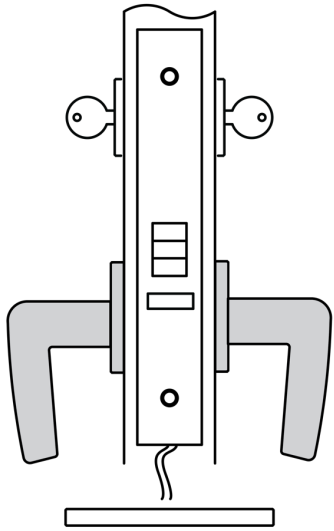


# M1700E Dimensions



\* To accommodate through-bolting  
 1 1/2" - 1 1/16" center to center

# M1700E Technical Details

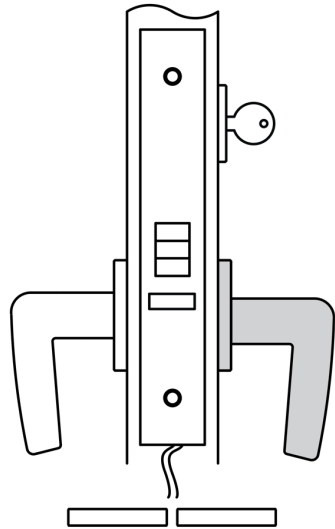


**M1758E**  
**INSTITUTIONAL OR ASYLUM**

Latch bolt by key either side.  
Auxiliary latch deadlocks latch bolt.

**FAIL SECURE OPERATION\*:** Inside and outside trim unlocked when power is applied and locked when power is removed.

**FAIL SAFE OPERATION:** Inside and outside trim locked when power is applied and unlocked when power is removed. Lockset will unlock in the event of power failure.



**M1759E**  
**STOREROOM**

Inside trim always free.  
Latch bolt by key outside.  
Auxiliary latch deadlocks latch bolt.

**FAIL SECURE OPERATION\*:** Outside trim unlocked when power is applied and locked when power is removed.

**FAIL SAFE OPERATION:** Outside trim locked when power is applied and unlocked when power is removed. Lockset will unlock in the event of power failure.

**BACKSET:** 1<sup>1</sup>/<sub>8</sub>"

**OPERATION:**

Key Cylinder (by others) will override electronics to retract latch bolt.  
12-24 AC/DC VDC (11V – 30V Operating Range)  
500mA MAX Inrush  
200mA MAX Holding  
Non-polarized Leads

# Accurate Lever Trim

17L LEVER



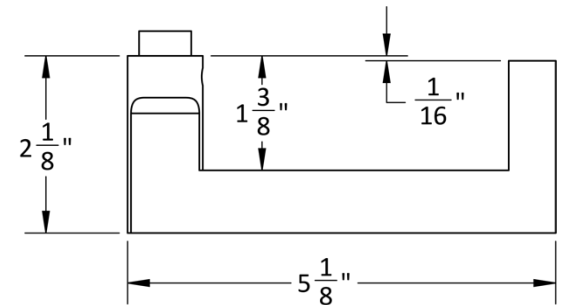
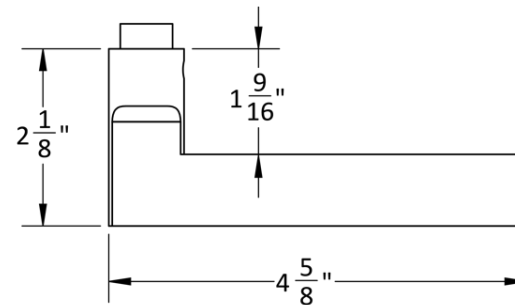
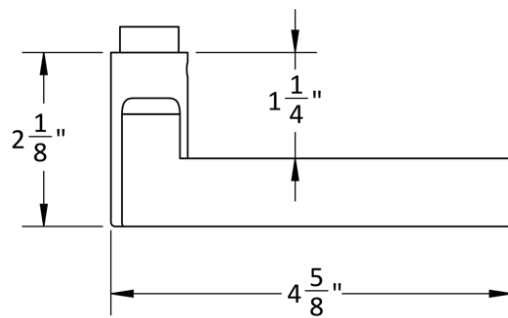
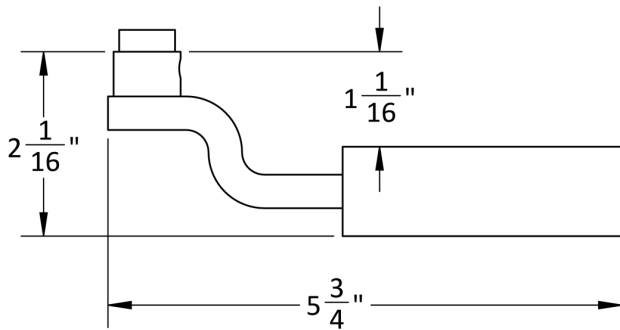
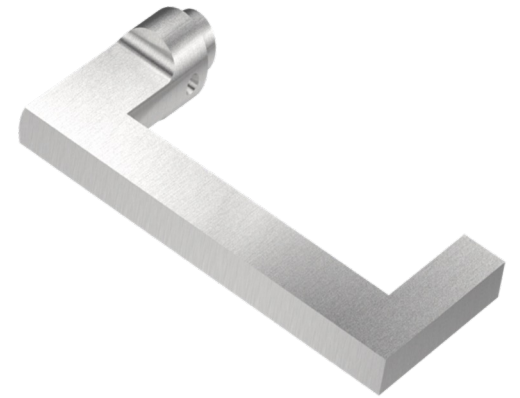
18L LEVER



19L LEVER

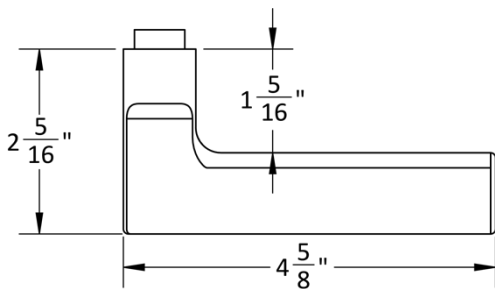


20L LEVER

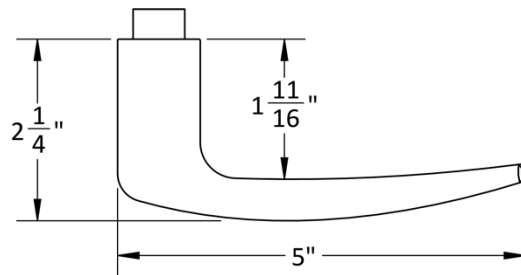


# Accurate Lever Trim

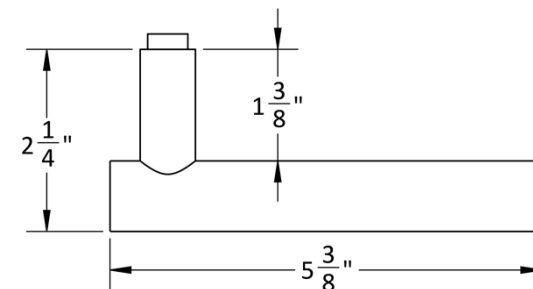
**21L LEVER**



**29L LEVER**



**72L LEVER**



# Accurate Rose Options

### 2R ROSE

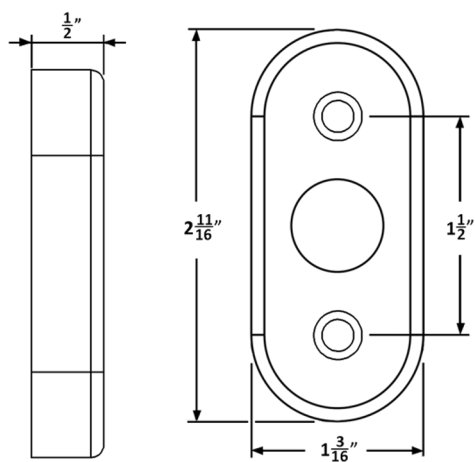
Side



Inside



Outside



### 4R ROSE

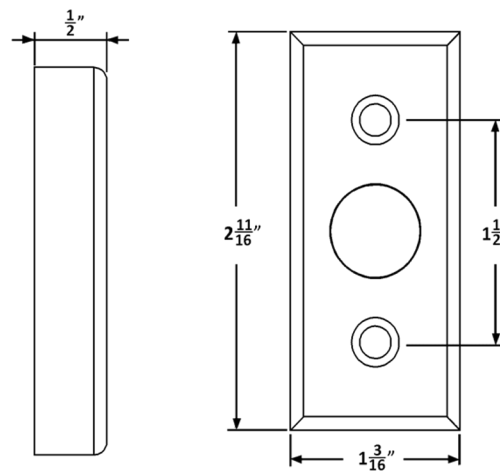
Side



Inside



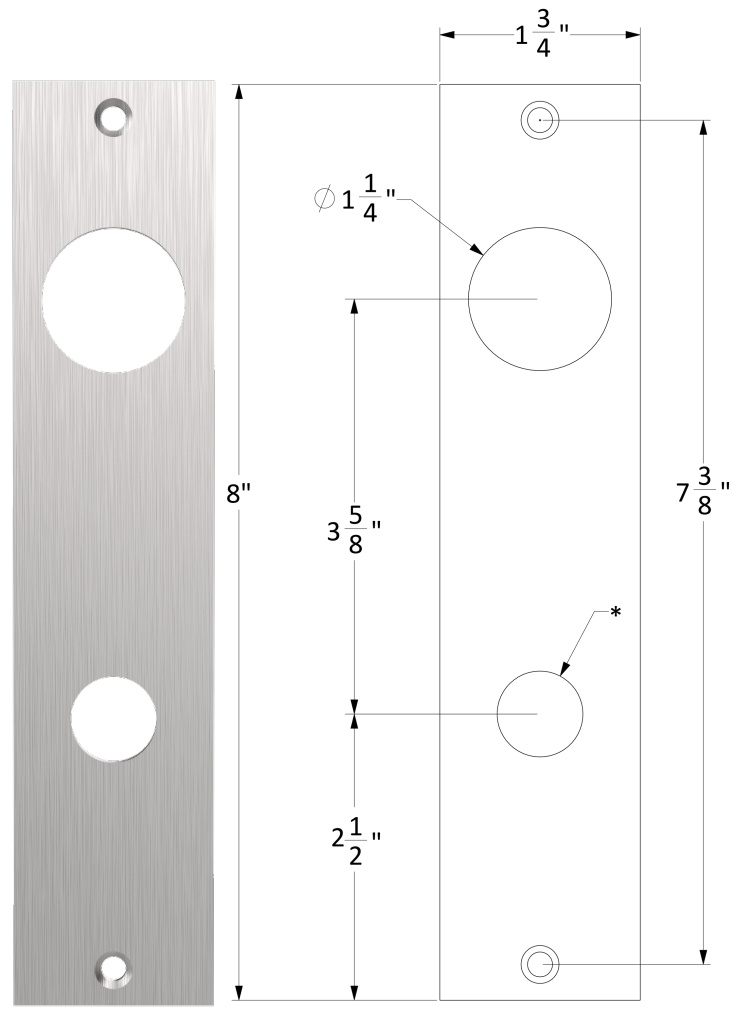
Outside





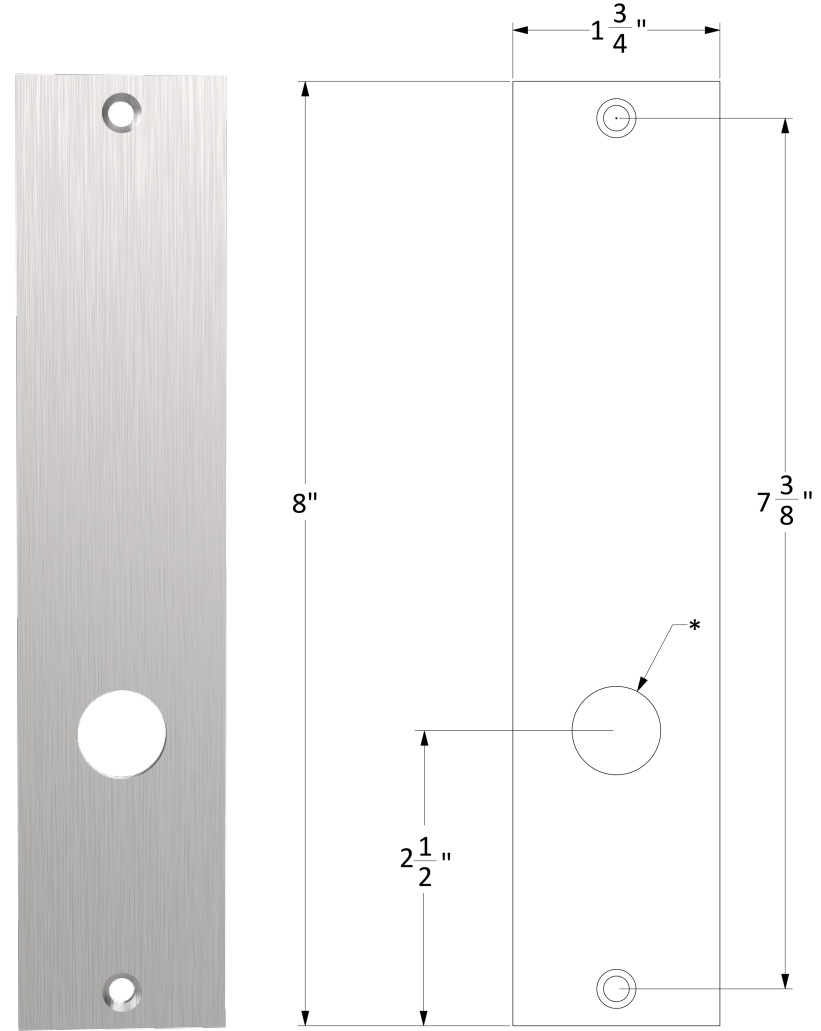
# Accurate Escutcheon Options

**1E-175C**  
**NARROW ESCUTCHEON WITH CYLINDER CUTOUT**



\*Dimension may vary based on trim.

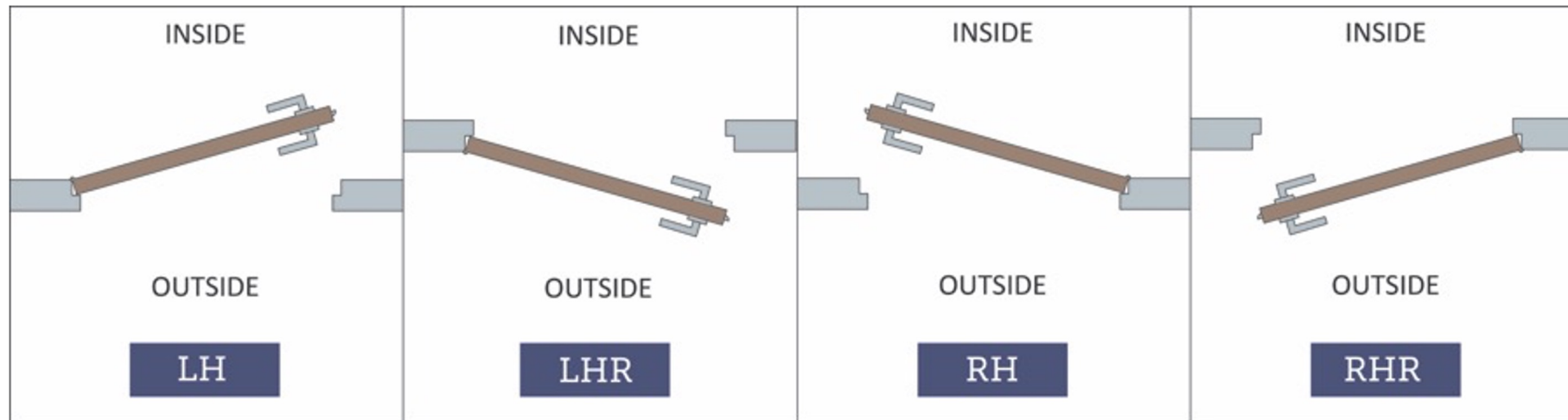
**1E-175B**  
**BLANK NARROW ESCUTCHEON**



\*Dimension may vary based on trim.

# HOW TO SPECIFY

## HANDING



## FINISHES

**GROUP 1:** US4, US4NL, US32D\*, US26D

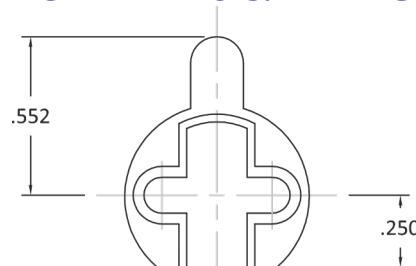
**GROUP 2:** US3, US3NL, US26, US32\*, US9\*, US10\*, US10B, US14, US15, US19

**GROUP 3:** BN, BB, TN, TB, DURO, ESN, US15A, US5

\* Trim options (including Accurate Levers) may not be available in US32D, US32, US9, or US10 finish. Please call for assistance.

To view example of finishes visit: [Accurate Finishes](#).

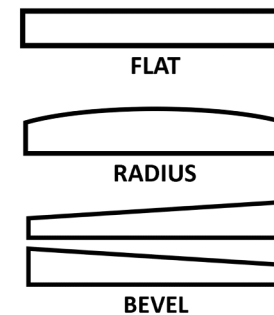
## CYLINDERS & KEYING



M1700E Series locks accept any standard American mortise cylinder. For details on required cams and compatibility with other manufacturers' cylinders, please visit: [Accurate Support](#).

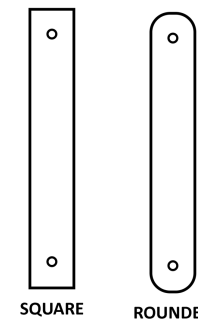
## FACEPLATE

### FACEPLATE EDGE



Flat Faceplate Edge furnished unless otherwise specified.  
Bevel Faceplate determined by handing.

### FACEPLATE CORNERS



Square Faceplate Corners furnished unless otherwise specified.

# HOW TO SPECIFY

**FUNCTION.FACEPLATE.BACKSET.TRIM.FINISH.HAND.DOORTHICKNESS**

## FUNCTIONS

See available functions (pg. 5)

## FACEPLATE

*For Faceplate Edge:*

Specify: RF for Radius Edge, BF for Beveled Edge (determined by handing), otherwise Flat Faceplate Edge will be supplied.

*For Faceplate Corners:*

Specify RC for Round Corners, otherwise Square Corners will be supplied.

## BACKSET

1<sup>1</sup>/<sub>8</sub>"

## TRIM

Accurate trim (pg. 6-9)

Specify other trim manufacturers or spindle size.

## FINISHES

See available finishes (pg. 10)

## EXAMPLES

**Electrified Lock | Storeroom | Radius Faceplate Round Corners | Accurate Trim**

E.g.: M1759E.RFRC.118.29L/2R.US26D.RH.134

**Electrified Lock | Asylum | Flat Faceplate Round Corners | Accurate Trim**

E.g.: M1758E.RC.118.18L/1E-175.US4.LH.134

**Electrified Lock | Storeroom | Beveled Faceplate Square Corners | Other Manufacturers' Narrow Backset Trim**

E.g.: M1759E.BF.118.LxL.8mm.US26D.RH.138

## SPECIAL OPTIONS AVAILABLE

- Set up for levers by other manufacturers
- Sliding door functionality available
- Cylinders are not included, please specify separately.

*\*Note: For compatibility with other manufacturers' trim please call for assistance.*

**ACCURATE LOCK & HARDWARE  
MANUFACTURERS OF LOCKS AND  
CUSTOM ARCHITECTURAL HARDWARE**

1 Annie Place | Stamford, CT 06902

**P:** 203.348.8865

**F:** 203.348.5234

**E:** sales@accuratelockandhardware.com

**www.accuratelockandhardware.com**



**AMERICAN CRAFTED  
— SINCE 1972 —**