



ACCURATE LOCK & HARDWARE

AMERICAN CRAFTED SINCE 1972

1700 Narrow Backset Mortise Lock

REDEFINING OPTIONS FOR ULTRA NARROW STILE DOORS



STILE INNOVATION

1700 SERIES

Accurate's lock innovation makes its debut to allow more flexibility for ultra narrow stile aluminum doors. Pair with a variety of decorative or commercial trim options to do more with less. Available in a range of finishes and functions, the 1700 Series opens the door to endless possibilities.

1756 FUNCTION SHOWN WITH 17L LEVERS AND 2R ROSE

STILE INNOVATION

1700 SERIES NARROW BACKSET LOCK

SLEEK AESTHETICS

- Maintain sleek lines where narrow stile doors are prominent
- Narrow backsets (1¹/₈") are ideal for aluminum storefront and glass wall partition systems with narrow stile framing (minimum 1 ⁷/₈" stile recommended)

DESIGN VERSATILITY

- Compatible with Accurate Lever Trim or custom fitted for most manufacturers' sectional lever trim (narrow roses/escutcheon)

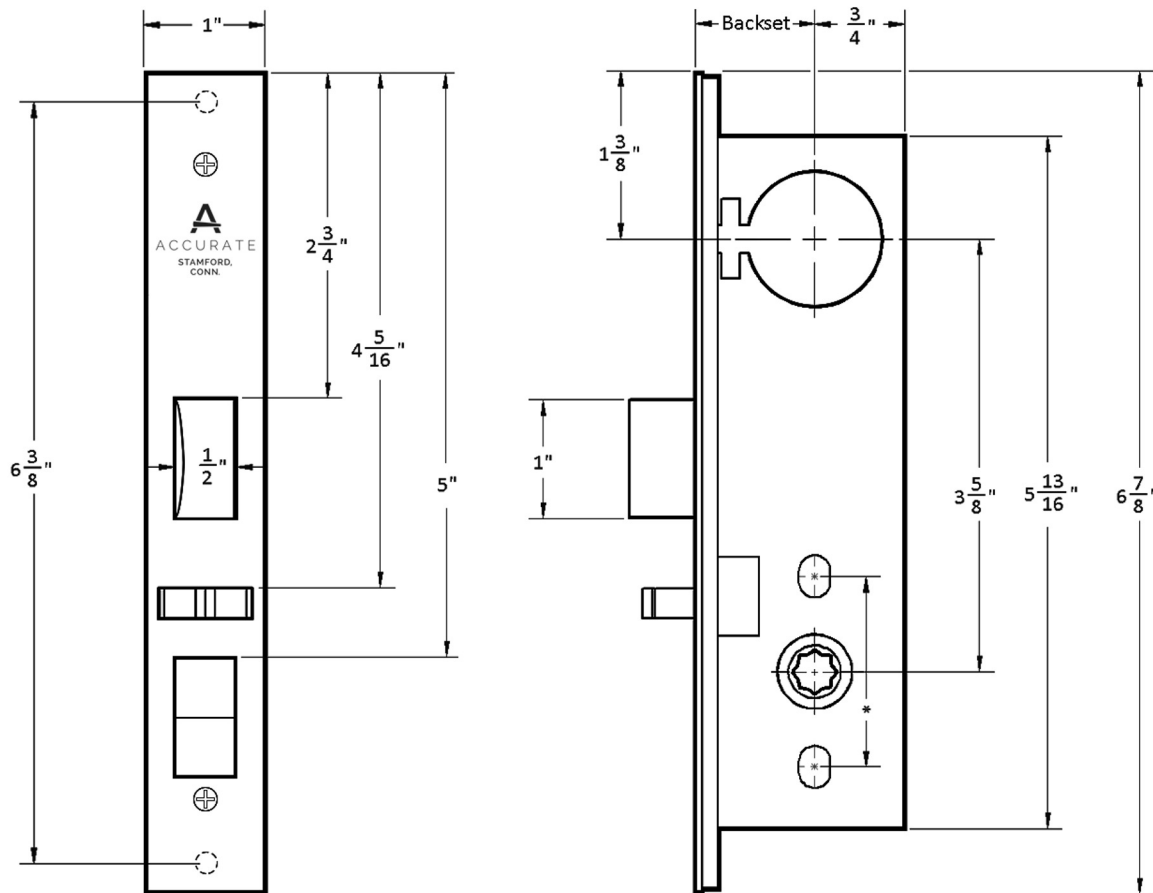
FUNCTIONALITY

- Can be used with standard mortise cylinders
- Features latch holdback by cylinder option



1757 ENTRANCE OR OFFICE FUNCTION

1700 Series: Technical Details



BACKSET: $1\frac{1}{8}$ " (Special order 1" backset available, please contact us for assistance).

CASE: Heavy gauge, stainless steel

ARMOR FRONT: Brass, bronze, aluminum or stainless steel, finished as required. Faceplate options: flat (default), radius or beveled (see How to Specify pgs. 10-11)

LATCH BOLT: Brass or stainless steel, solid type $\frac{1}{2}$ " throw

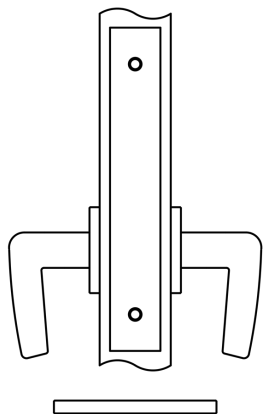
STRIKE: $4\frac{7}{8}$ " ASA

HUBS: Available in different sizes to be compatible with various trim

DUST BOX: Brass, stainless steel or oil rubbed bronze

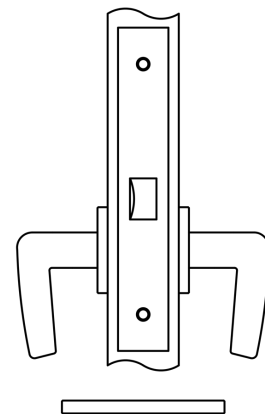
*To accommodate through-bolting
 $1\frac{1}{2}$ to $1\frac{1}{16}$ center to center

1700 Series: Functions



1700ADL ACTIVE DUMMY LOCK

Active handles inside and outside

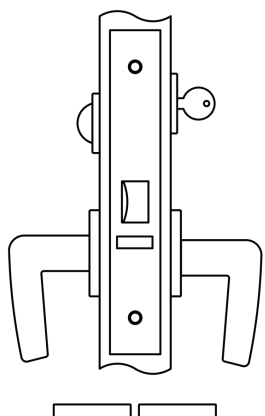


1725 PASSAGE

Latch bolt by lever either side.

Latch bolt can be held retracted by depressing, then turning key.*

**Optional, please specify 1725H*



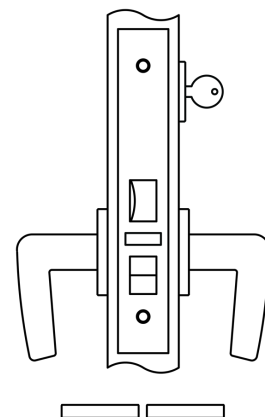
1753 ENTRANCE

Latch bolt by key outside.

Latch bolt by lever either side unless locked by thumb turn inside (both levers become rigid).

Auxiliary latch deadlocks latch bolt.

No emergency egress.



1756 ENTRANCE OR OFFICE

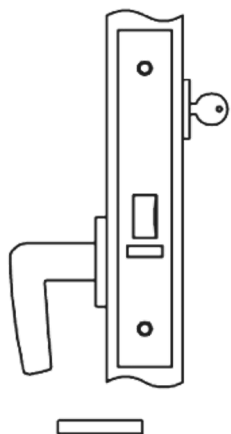
Latch bolt by key outside and lever either side unless outside lever is locked by toggle-action stop.

Auxiliary latch deadlocks latch bolt.

Latch bolt can be held retracted by depressing, then turning key.*

**Optional, please specify 1756H*

1700 Series: Functions



1757 ENTRANCE OR OFFICE

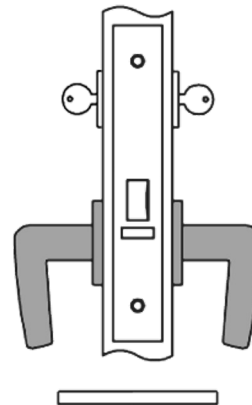
Latch by lever inside and key outside.

No outside lever.

Auxiliary latch deadlocks latch bolt.

Latch bolt can be held retracted by depressing, then turning key.*

**Optional, please specify 1757H*



1758 INSTITUTION OR ASYLUM

Latch by key either side.

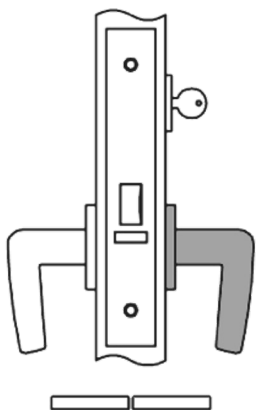
Inside and outside levers always **rigid**.*

Auxiliary latch deadlocks latch bolt.

Latch bolt can be held retracted by depressing, then turning key.**

**Verify code compliance before using this function*

***Optional, please specify 1758H*



1759 STOREROOM OR CLOSET

Latch by lever inside and key outside.

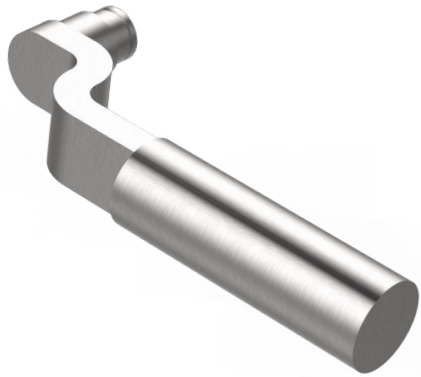
Outside lever always **rigid**.

Auxiliary latch deadlocks latch bolt.

**Optional, please specify 1759H*

Accurate Lever Trim

17L LEVER



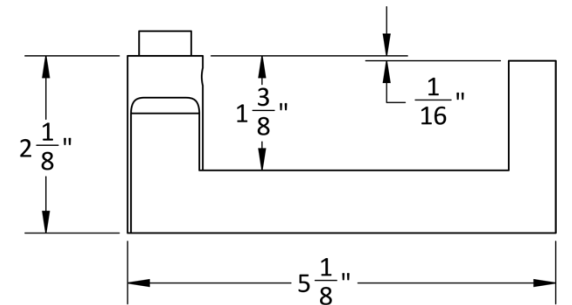
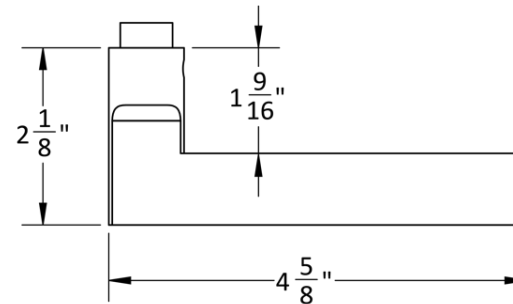
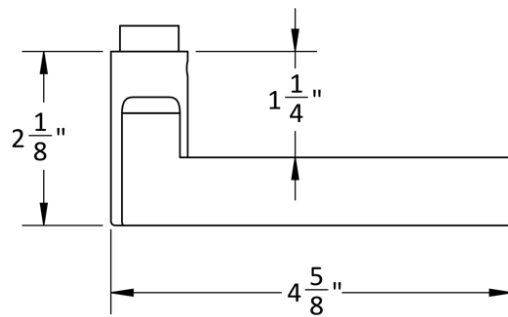
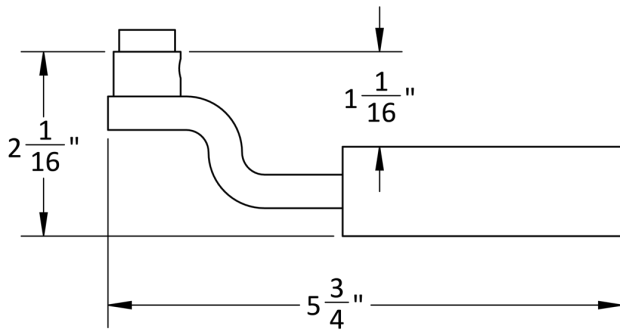
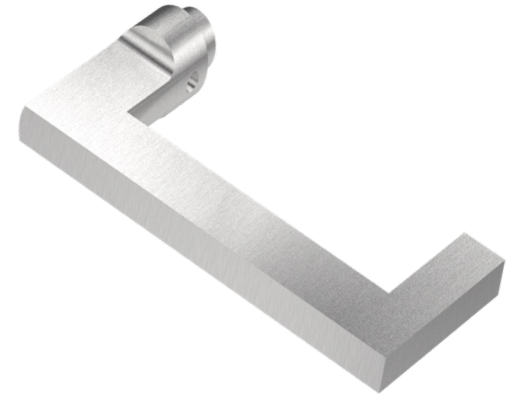
18L LEVER



19L LEVER

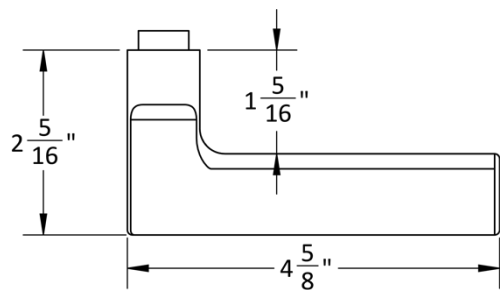


20L LEVER

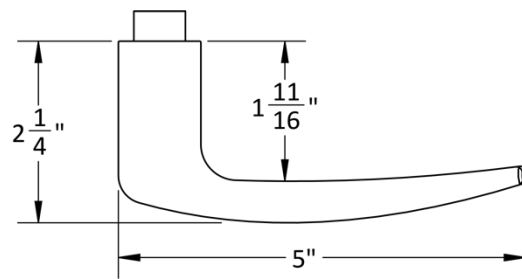


Accurate Lever Trim

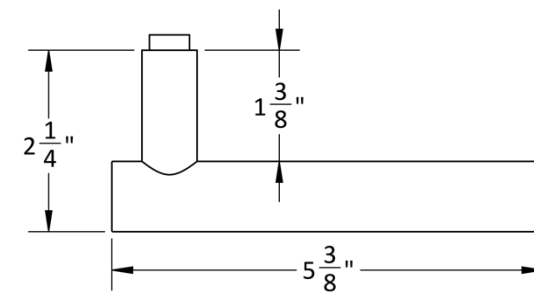
21L LEVER



29L LEVER



72L LEVER



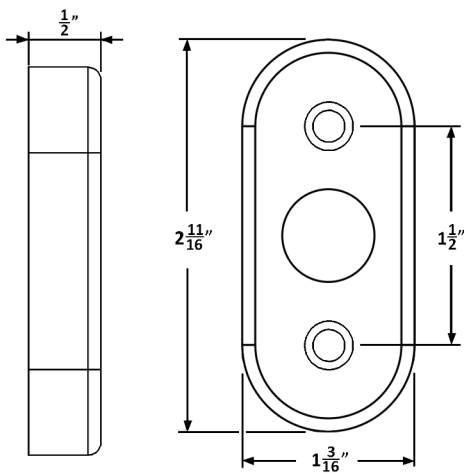
ACCURATE TRIM OPTIONS

2R ROSE

Side

Inside

Outside

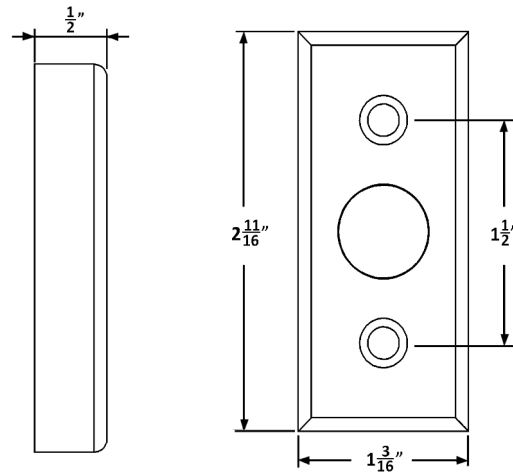
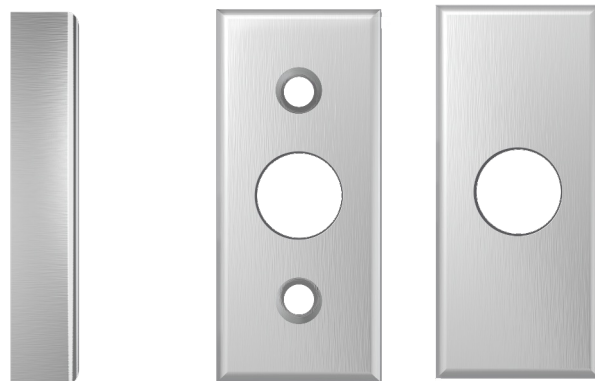


4R ROSE

Side

Inside

Outside

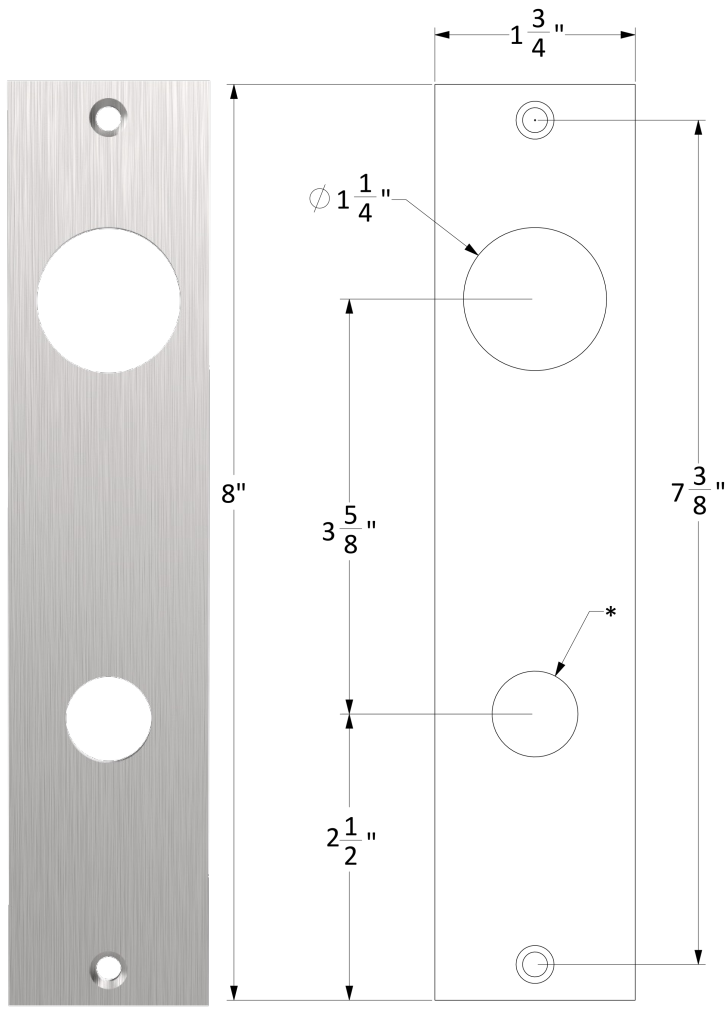


STANDARD 29L LEVER/2R ROSE SET



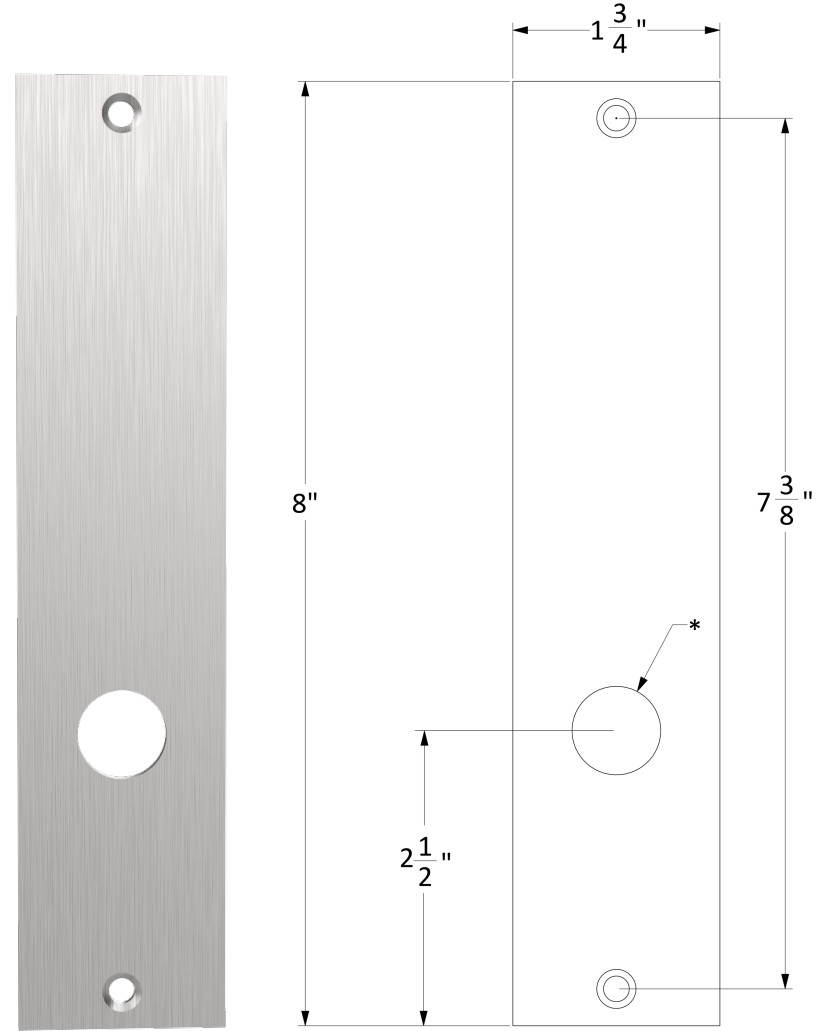
Accurate Escutcheon Options

1E-175C
NARROW ESCUTCHEON WITH CYLINDER CUTOUT



*Dimension may vary based on trim.

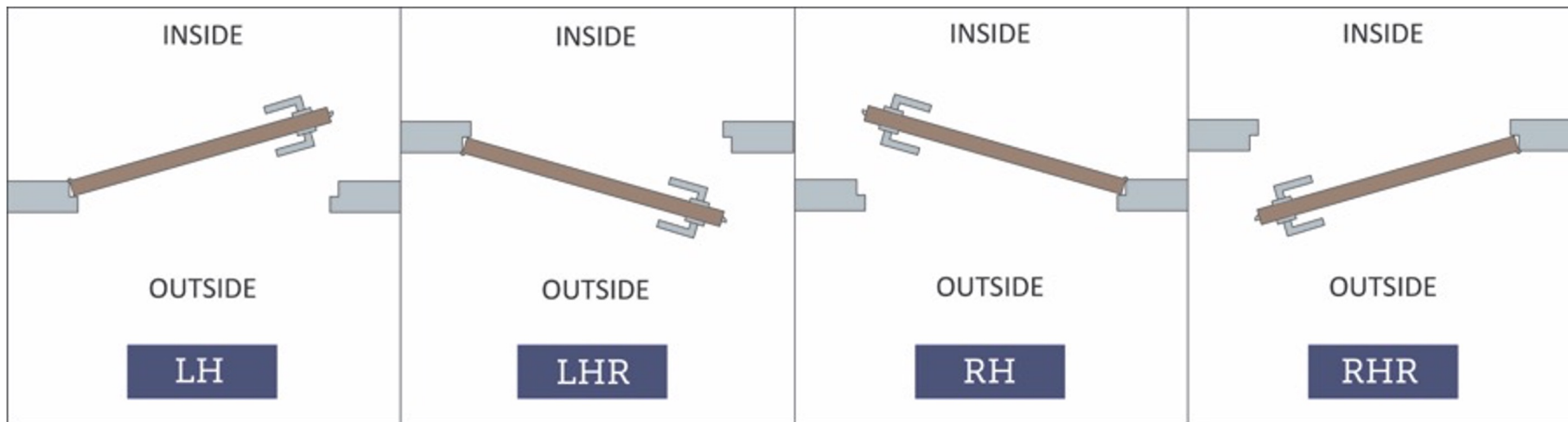
1E-175B
BLANK NARROW ESCUTCHEON



*Dimension may vary based on trim.

HOW TO SPECIFY

HANDING



FINISHES

GROUP 1: US4, US4NL, US32D*, US26D

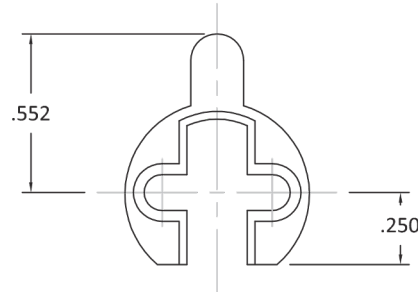
GROUP 2: US3, US3NL, US26, US32*, US9*, US10*, US10B, US14, US15, US19

GROUP 3: BN, BB, TN, TB, DURO, ESN, US15A, US5

* Trim options (including Accurate Levers) may not be available in US32D, US32, US9, or US10 finish. Please call for assistance.

To view example of finishes visit: [Accurate Finishes](#).

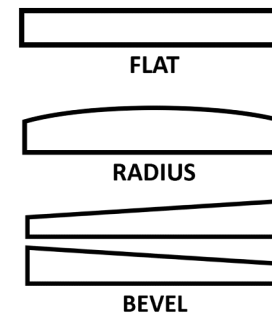
CYLINDERS & KEYING



1700 Series locks accept any standard American mortise cylinder. For details on required cams and compatibility with other manufacturers' cylinders, please visit: [Accurate Support](#).

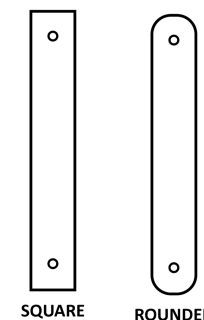
FACEPLATE

FACEPLATE EDGE



Flat Faceplate Edge furnished unless otherwise specified.
Bevel Faceplate determined by handing.

FACEPLATE CORNERS



Square Faceplate Corners furnished unless otherwise specified.



HOW TO SPECIFY

FUNCTION.FACEPLATE.BACKSET.TRIM.FINISH.HAND.DOORTHICKNESS

FUNCTIONS
See available functions (pg. 5)

FINISHES
See available finishes (pg. 10)

FACEPLATE
For Faceplate Edge:
Specify: RF for Radius Edge, BF for Beveled Edge (determined by handing), otherwise Flat Faceplate Edge will be supplied.
For Faceplate Corners:
Specify RC for Round Corners, otherwise Square Corners will be supplied.

BACKSET
1 1/8" (Special order 1" backset available, please contact us for assistance).

TRIM

- Accurate trim (see pg. 6-9)
- Other manufacturers' sectional rose trim, please call for assistance.

EXAMPLES

Office Lock | Radius Faceplate Round Corners | Accurate Trim
E.g.: 1756.RFRC.1.29L/1E-175.US26D.RH.134

Storeroom Lock | Flat Faceplate Round Corners | Accurate Trim
E.g.: 1759.RC.1.29L/2R.US26D.RH.134

Entry Lock | Beveled Faceplate Square Corners | Other Manufacturers' Trim*
E.g.: 1757.BF.1125.8mm.US26D.RH.138

Passage Lock with Hold Back | Flat Faceplate Round Corners | Other Manufacturers' Trim*
E.g.: 1725H.RC.1125.7mm.US3NL.RH.138

CUSTOM OPTIONS AVAILABLE

- Set up for levers by other manufacturers
- Sliding door functionality
- Glass Patch Narrow Backset Locks (G17)

Cylinders are not included. Please specify separately.

**Note: For compatibility with other manufacturers' trim please call for assistance.*

**ACCURATE LOCK & HARDWARE
MANUFACTURERS OF LOCKS AND
CUSTOM ARCHITECTURAL HARDWARE**

1 Annie Place | Stamford, CT 06902

P: 203.348.8865

F: 203.348.5234

E: sales@accuratelockandhardware.com

www.accuratelockandhardware.com



AMERICAN CRAFTSMAN
— SINCE 1972 —