



ACCURATE

LOCK & HARDWARE

AMERICAN CRAFTED SINCE 1972

LR-SW LIGATURE RESISTANT SWINGING DOOR SYSTEM

TO PROVIDE SAFETY + PRIVACY FOR PATIENT BATHROOMS



LR-SW SWINGING DOOR SYSTEM

Designed to be a heavy-duty, cost-effective solution that provides increased safety and privacy in bathroom and shower applications. This patented swinging door solution can hold over 300lbs of weight and operates without springs, which removes possible ligature points and allows the door to swing in both directions. It can open to 90° in either direction, stay open by design, and when moved to approximately 60° will self-close centered to the opening.

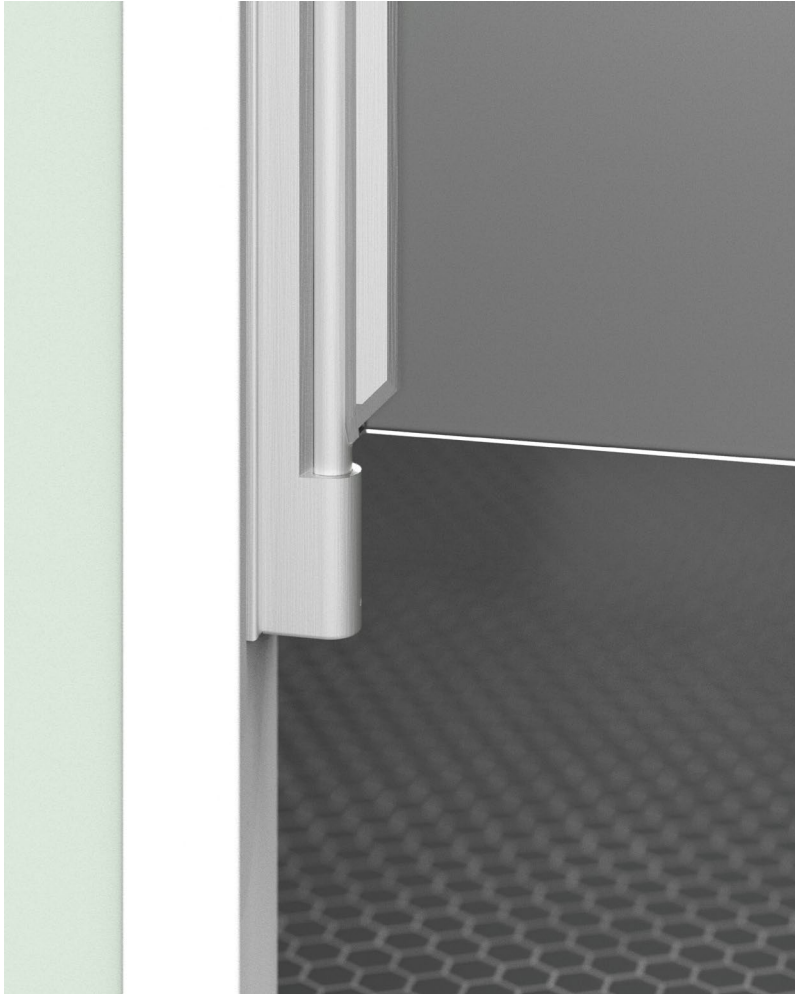


LR SWINGING DOOR

TOP VIEW



BOTTOM VIEW

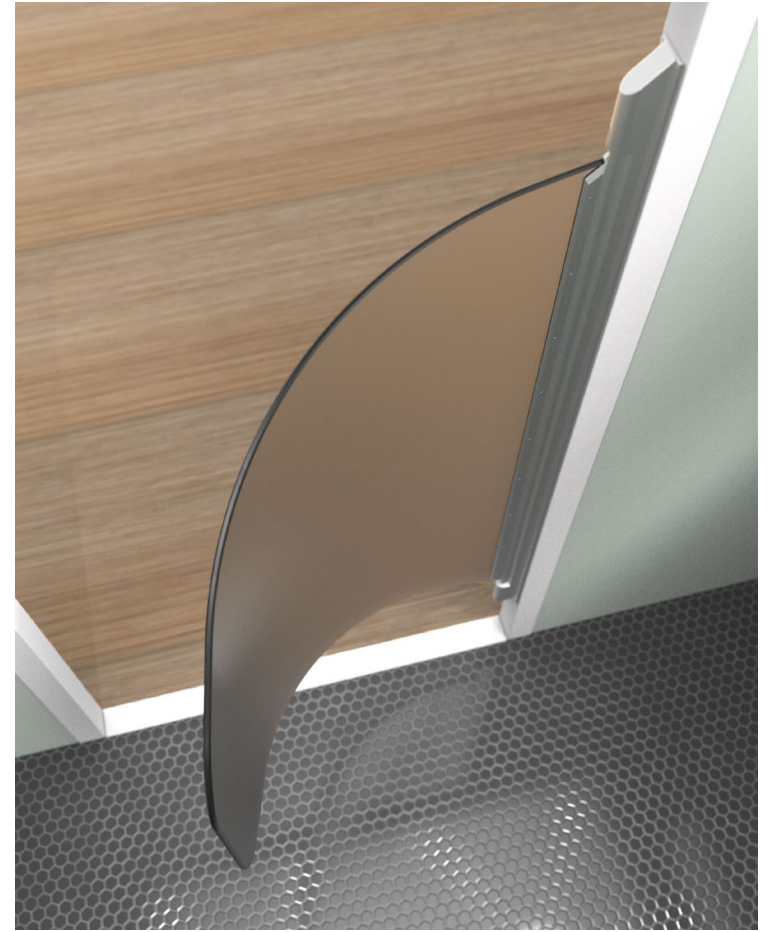


LR SWINGING DOOR

DOOR CAN STAY IN OPEN POSITION AND IS FLEXIBLE TO FURTHER PREVENT LIGATURE RISKS



WATCH THE VIDEO



LR-SW DOOR OPTIONS

- The LR-SW system is ideal for en suite bathroom doors and can be customized for shower applications.
- To designate a shower door application, simply add “.SH” to the part number (e.g. LR-SW.36.FP125.SH). This ensures the system includes anodized aluminum, hard-coated components, and a stainless-steel rod for durability.
- Optional seals available for shower door applications (see LR-SW-SH-G for details)
- For proper installation, specify the hinge surface to ensure the correct fasteners are provided (e.g., TAPCON screws for concrete installations).



LR-SW DOOR OPTIONS

FROSTED POLYCARBONATE

(Standard)

Offered in 1/8" or 3/8"
thick panels (1/8"
recommended)

Polycarbonate panel also
available in white (PW)
and black (PB)



LR-SW DOOR OPTIONS

HDPE PLASTIC COLOR OPTIONS

1/2" Thick

Specify HDPE.COLOR

E.g. HDPE.BLUE

Limited availability - Call for assistance with your color selection



RED



ORANGE



YELLOW



GREEN



BLUE



TAN



BLACK

LR-SW FOR POSITIVE DISTRACTION

HDPE PLASTIC COLOR OPTIONS

Limited availability - Call for assistance with your color selection



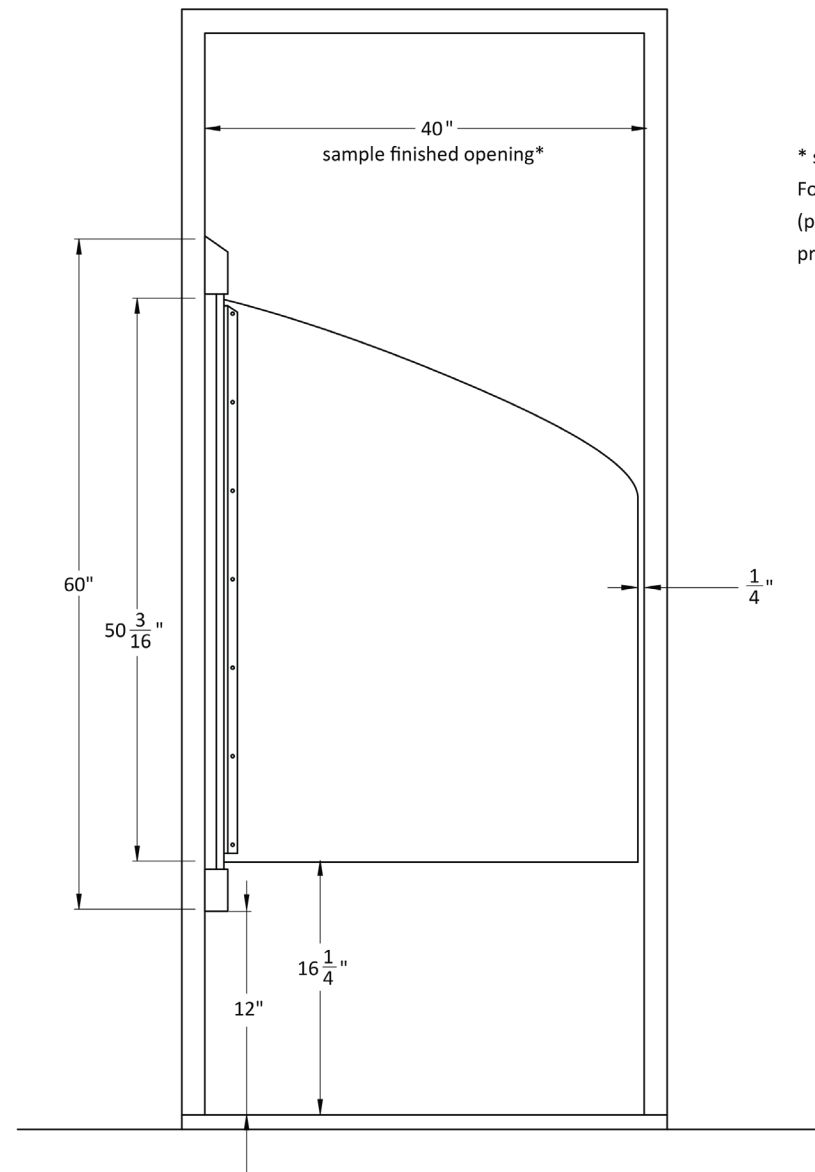
Any HDPE plastic door option can act as one large interactive panel offering a positive distraction. Patients can draw on the door with marker to personalize their own space. The door can be easily wiped clean with rubbing alcohol and a cloth.

WATCH THE VIDEO



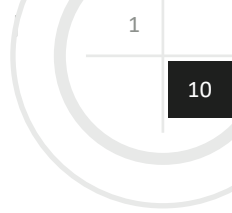
LR-SW EXAMPLE DIMENSIONS

Standard hinge is 60" tall.
72" and 78" tall hinges available as
special order (door panels are
62 3/16" and 68 3/16" respectively)

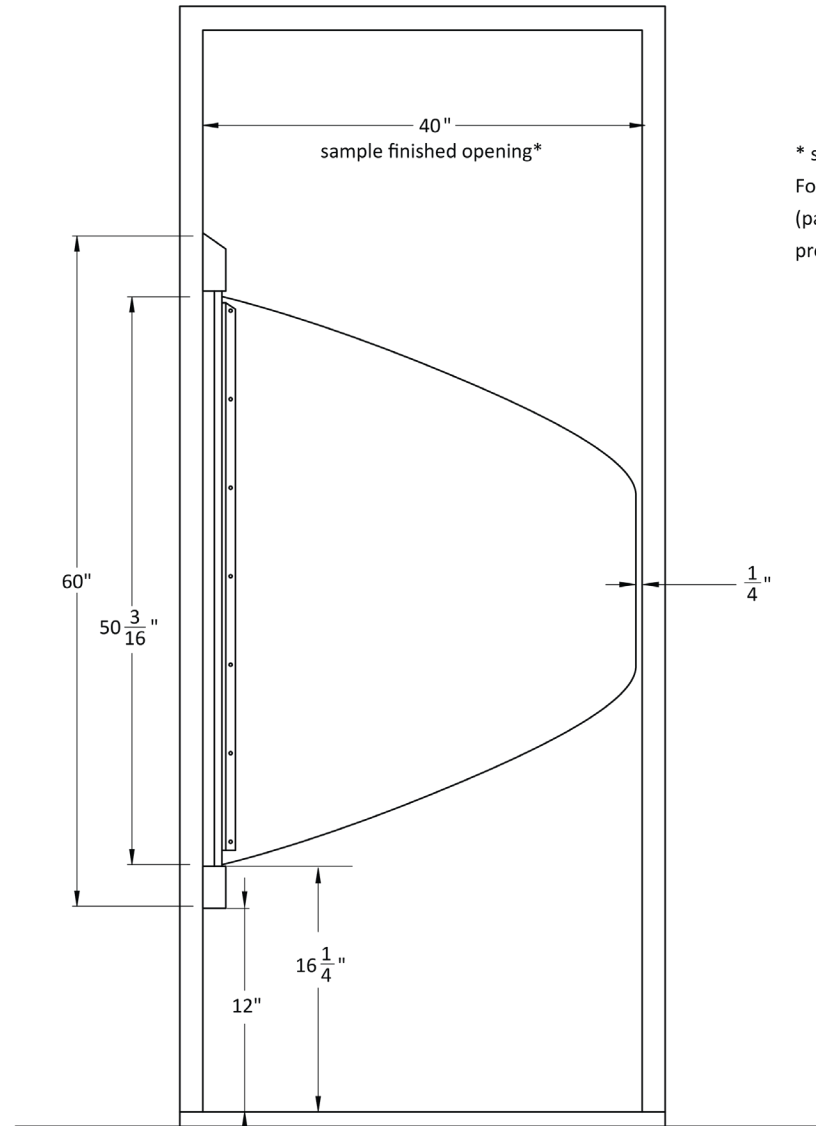


* system can be set up for any finished opening width
For openings 42" or wider, specify "PD" for pair of doors
(panels will be sized based on finished opening width
provided leaving a gap of 1/4" between the two doors)

LR-SW-DS EXAMPLE DIMENSIONS



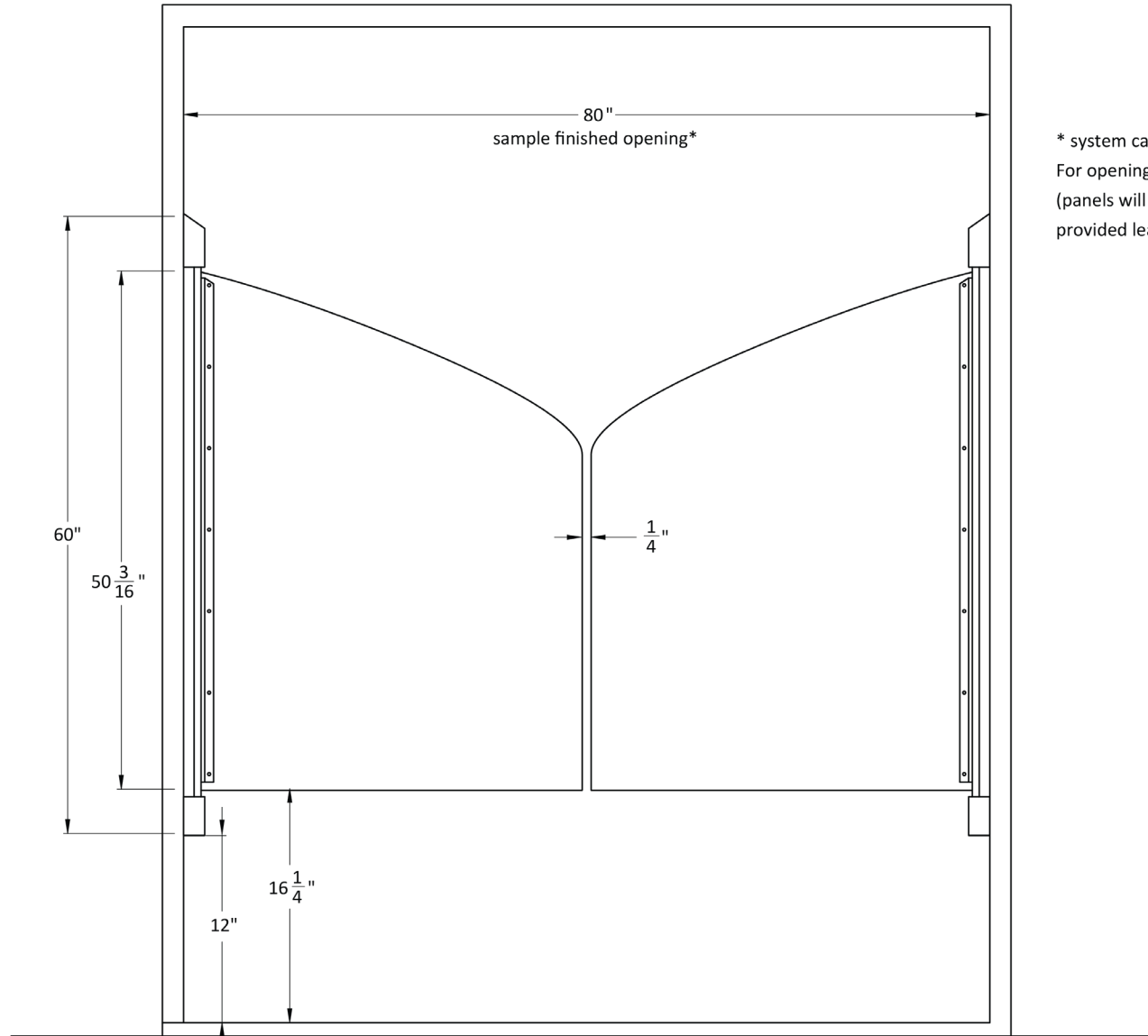
Standard hinge is 60" tall.
72" and 78" tall hinges available as
special order (door panels are
62 3/16" and 68 3/16" respectively)



* system can be set up for any finished opening width
For openings 42" or wider, specify "PD" for pair of doors
(panels will be sized based on finished opening width
provided leaving a gap of 1/4" between the two doors)

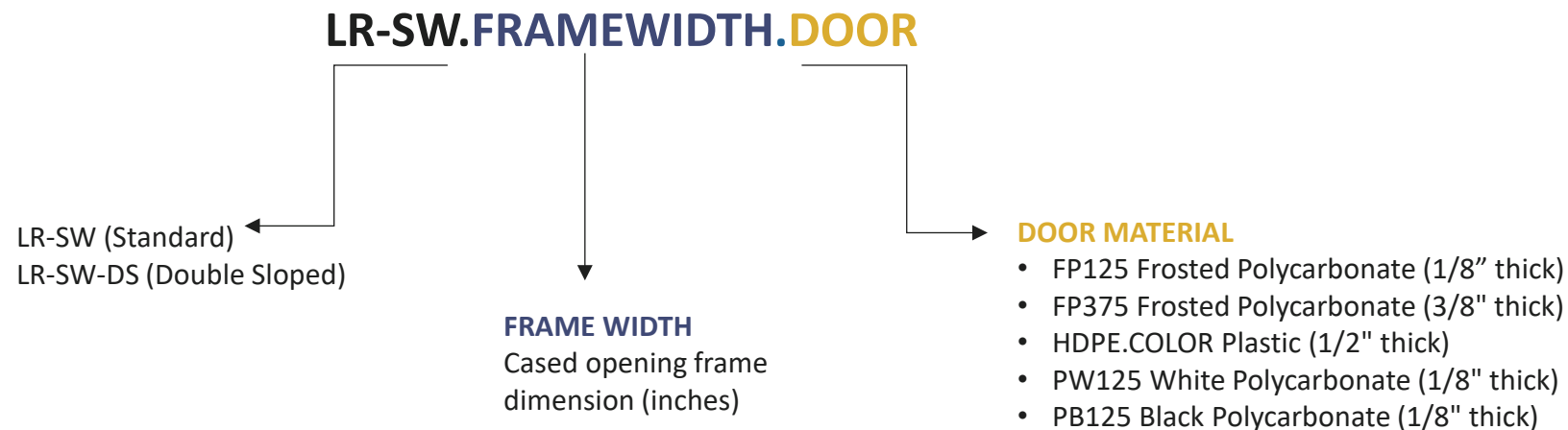
LR-SW SAMPLE DIMENSIONS

Standard hinge is 60" tall.
72" and 78" tall hinges available as special order (door panels are 62 3/16" and 68 3/16" respectively)



* system can be set up for any finished opening width
For openings 42" or wider, specify "PD" for pair of doors
(panels will be sized based on finished opening width provided leaving a gap of 1/4" between the two doors)

HOW TO SPECIFY



EXAMPLES

LR-SW | Frosted Polycarbonate Standard

E.g. LR-SW.36.FP375

LR-SW-DS | Frosted Polycarbonate Double Slope Door

E.g. LR-SW-DS.36.FP125

LR-SW | HDPE Plastic Door Color

E.g. LR-SW.40.HDPE.BLUE

NOTES

- Custom system heights available, please call for assistance.
- Optional Crescent Pull, please call for assistance.

**ACCURATE LOCK & HARDWARE
MANUFACTURERS OF LOCKS AND
CUSTOM ARCHITECTURAL HARDWARE**

1 Annie Place | Stamford, CT 06902

P: 203.348.8865

F: 203.348.5234

E: sales@accuratelockandhardware.com

www.accuratelockandhardware.com



AMERICAN CRAFTED
— SINCE 1972 —