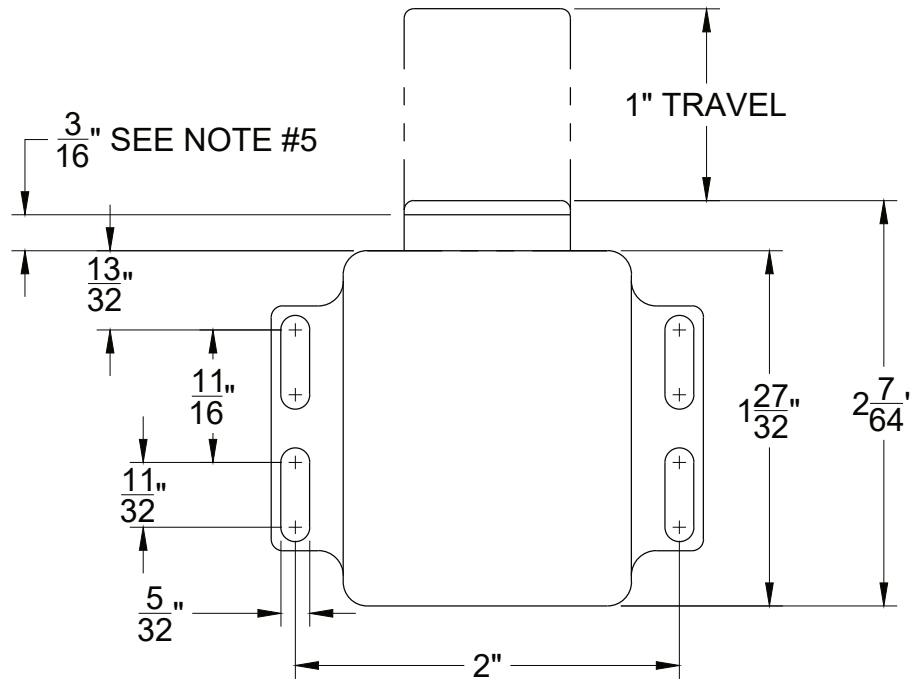


STRIKE PLATE



NOTES:

1. SPRING FORCE: 10 Lbs
2. MAGNETIC PULL: 6 Lbs
3. TRAVEL REQUIRED TO UNLOCK: .08"
4. INSTALL STRIKE PLATE WITH #6 FLAT HEAD SCREW, USE 4X #6 PAN HEAD SCREWS TO SECURE LATCH
5. A STOP BLOCK OR DOOR STOP MUST BE USED. LOCATE $\frac{3}{16}$ " FORWARD OF LATCH, ADJUST LATCH LOCATION USING PROVIDED SLOTS.



ACCURATE
LOCK & HARDWARE
AMERICAN CRAFTED SINCE 1972

MTL23 Magnetic Touch Latch

Spec.MTL23