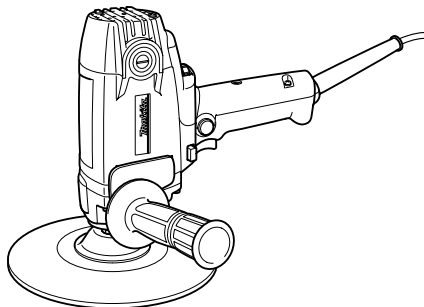
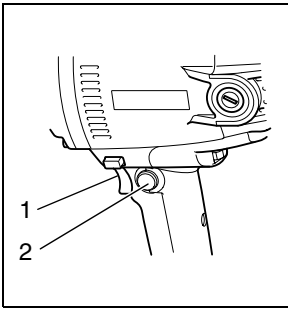




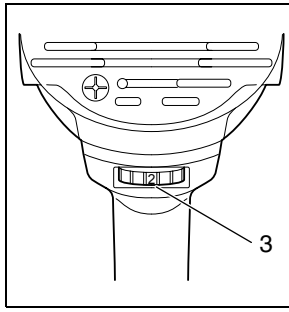
GB	Disc Sander Electronic Disc Sander	Instruction Manual
F	Ponceuse à disc Ponceuse à disc électronique	Manuel d'instructions
D	Tellerschleifer Elektronik-tellerschleifer	Betriebsanleitung
I	Levigatrice a disco Levigatrice a disco elettronica	Istruzioni per l'uso
NL	Schuurmachine Elektronische schuurmachine	Gebruiksaanwijzing
E	Lijadora de disco Lijadora de disco	Manual de instrucciones
P	Lixadora de disco Lixadora de disco electrónica	Manual de instruções
DK	Vinkelsliber Elektronisk vinkelsliber	Brugsanvisning
S	Rondellslipmaskin Elektronisk rondellslipmaskin	Bruksanvisning
N	Slipemaskin med skive Elektronisk slipemaskin med skive	Bruksanvisning
FIN	Pystyhiomakone Elektroninen pystyhiomakone	Käyttöohje
GR	Δίσκος γυαλίσματος Ηλεκτρονικός δίσκος γυαλίσματος	Οδηγίες χρήσεως

**GV7000
GV7000C**

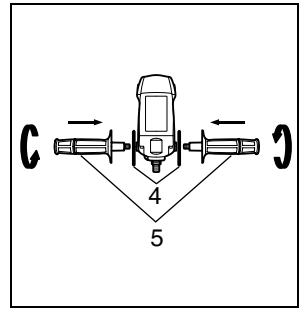




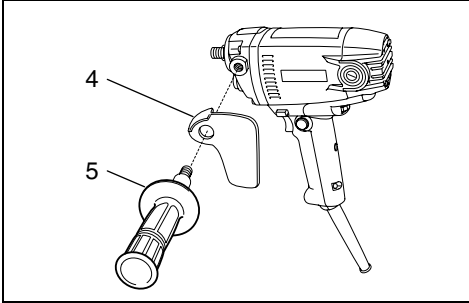
1



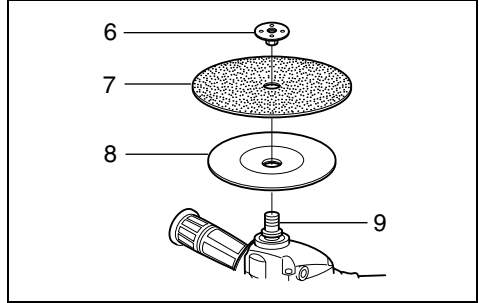
2



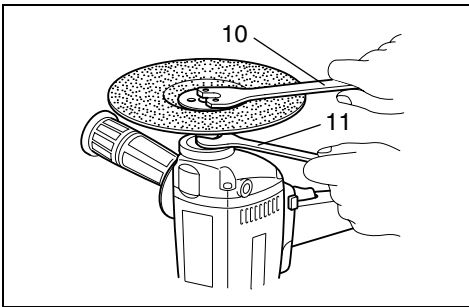
3



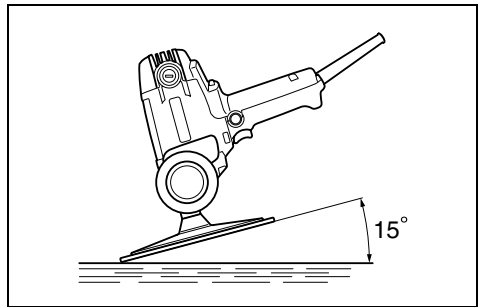
4



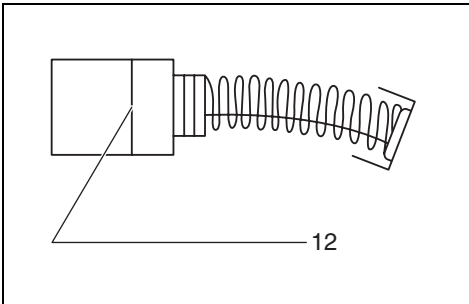
5



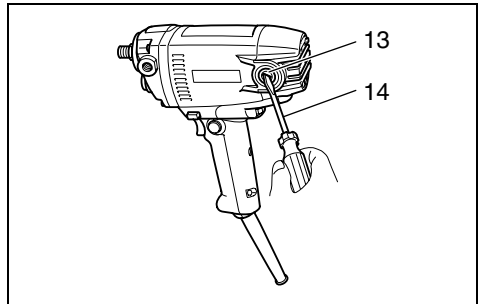
6



7



8



9

Explanation of general view

1 Switch trigger	6 Lock nut	11 Wrench
2 Lock button	7 Abrasive disc	12 Limit mark
3 Speed adjusting dial	8 Rubber pad	13 Brush holder cap
4 Cover	9 Spindle	14 Screwdriver
5 Side grip	10 Lock nut wrench	

SPECIFICATIONS

Model	GV7000	GV7000C
Abrasive disc diameter	180 mm	180 mm
Spindle thread	M14	M14
No load speed (n ₀) / Rated speed (n).....	4,700 (min ⁻¹)	2,500 – 4,700 (min ⁻¹)
Overall length	210 mm	210 mm
Net weight.....	2.1 kg	2.1 kg

- Due to our continuing program of research and development, the specifications herein are subject to change without notice.
- Specifications may differ from country to country.
- Weight according to EPTA-Procedure 01/2003

Intended use

The tool is intended for the sanding of large surface of wood, plastic and metal materials as well as painted surfaces.

Power supply

The tool should be connected only to a power supply of the same voltage as indicated on the nameplate, and can only be operated on single-phase AC supply. They are double-insulated in accordance with European Standard and can, therefore, also be used from sockets without earth wire.

GEA010-1

General Power Tool Safety Warnings

⚠ WARNING Read all safety warnings and all instructions. Failure to follow the warnings and instructions may result in electric shock, fire and/or serious injury.

Save all warnings and instructions for future reference.

DISC SANDER SAFETY WARNINGS

GEB036-3

Safety Warnings Common for Sanding Operation:

1. **This power tool is intended to function as a sander. Read all safety warnings, instructions, illustrations and specifications provided with this power tool.** Failure to follow all instructions listed below may result in electric shock, fire and/or serious injury.
2. **Operations such as grinding, wire brushing, polishing or cutting-off are not recommended to be performed with this power tool.** Operations for which the power tool was not designed may create a hazard and cause personal injury.
3. **Do not use accessories which are not specifically designed and recommended by the tool manufacturer.** Just because the accessory can be attached to your power tool, it does not assure safe operation.

4. **The rated speed of the accessory must be at least equal to the maximum speed marked on the power tool.** Accessories running faster than their rated speed can break and fly apart.
5. **The outside diameter and the thickness of your accessory must be within the capacity rating of your power tool.** Incorrectly sized accessories cannot be adequately guarded or controlled.
6. **The arbour size of backing pads or any other accessory must properly fit the spindle of the power tool.** Accessories with arbour holes that do not match the mounting hardware of the power tool will run out of balance, vibrate excessively and may cause loss of control.
7. **Do not use a damaged accessory. Before each use inspect the accessory such as backing pad for cracks, tear or excess wear. If power tool or accessory is dropped, inspect for damage or install an undamaged accessory. After inspecting and installing an accessory, position yourself and bystanders away from the plane of the rotating accessory and run the power tool at maximum no-load speed for one minute.** Damaged accessories will normally break apart during this test time.
8. **Wear personal protective equipment. Depending on application, use face shield, safety goggles or safety glasses. As appropriate, wear dust mask, hearing protectors, gloves and workshop apron capable of stopping small workpiece fragments.** The eye protection must be capable of stopping flying debris generated by various operations. The dust mask or respirator must be capable of filtering particles generated by your operation. Prolonged exposure to high intensity noise may cause hearing loss.
9. **Keep bystanders a safe distance away from work area. Anyone entering the work area must wear personal protective equipment.** Fragments of workpiece or of a broken accessory may fly away and cause injury beyond immediate area of operation.
10. **Hold power tool by insulated gripping surfaces only, when performing an operation where the cutting accessory may contact hidden wiring or its own cord.** Cutting accessory contacting a "live" wire may make exposed metal parts of the power tool "live" and shock the operator.

11. **Position the cord clear of the spinning accessory.** If you lose control, the cord may be cut or snagged and your hand or arm may be pulled into the spinning accessory.
12. **Never lay the power tool down until the accessory has come to a complete stop.** The spinning accessory may grab the surface and pull the power tool out of your control.
13. **Do not run the power tool while carrying it at your side.** Accidental contact with the spinning accessory could snag your clothing, pulling the accessory into your body.
14. **Regularly clean the power tool's air vents.** The motor's fan will draw the dust inside the housing and excessive accumulation of powdered metal may cause electrical hazards.
15. **Do not operate the power tool near flammable materials.** Sparks could ignite these materials.
16. **Do not use accessories that require liquid coolants.** Using water or other liquid coolants may result in electrocution or shock.
17. **Kickback and Related Warnings**
Kickback is a sudden reaction to a snagged rotating backing pad or any other accessory. Snagging causes rapid stalling of the rotating accessory which in turn causes the uncontrolled power tool to be forced in the direction opposite of the accessory's rotation at the point of the binding. Kickback is the result of power tool misuse and/or incorrect operating procedures or conditions and can be avoided by taking proper precautions as given below.
 - a) **Maintain a firm grip on the power tool and position your body and arm to allow you to resist kickback forces. Always use auxiliary handle, if provided, for maximum control over kickback or torque reaction during start-up.** The operator can control torque reactions or kickback forces, if proper precautions are taken.
 - b) **Never place your hand near the rotating accessory.** Accessory may kickback over your hand.
 - c) **Do not position your body in the area where power tool will move if kickback occurs.** Kickback will propel the tool in direction opposite to the wheel's movement at the point of snagging.
 - d) **Use special care when working corners, sharp edges etc. Avoid bouncing and snagging the accessory.** Corners, sharp edges or bouncing have a tendency to snag the rotating accessory and cause loss of control or kickback.
 - e) **Do not attach a saw chain woodcarving blade or toothed saw blade.** Such blades create frequent kickback and loss of control.
20. **NEVER use tool with wood cutting blades or other sawblades.** Such blades when used on a sander frequently kick and cause loss of control leading to personal injury.
 21. **Hold the tool firmly.**
 22. **Keep hands away from rotating parts.**
 23. **Make sure the abrasive disc is not contacting the workpiece before the switch is turned on.**
 24. **When sanding metal surfaces, watch out for flying sparks. Hold the tool so that sparks fly away from you and other persons or flammable materials.**
 25. **Do not leave the tool running. Operate the tool only when hand-held.**
 26. **Do not touch the workpiece immediately after operation; it may be extremely hot and could burn your skin.**
 27. **Check that the workpiece is properly supported.**
 28. **Pay attention that the wheel continues to rotate after the tool is switched off.**
 29. **This tool has not been waterproofed, so do not use water on the workpiece surface.**
 30. **Ventilate your work area adequately when you perform sanding operations.**
 31. **Use of this tool to sand some products, paints and wood could expose user to dust containing hazardous substances. Use appropriate respiratory protection.**
 32. **Always be sure that the tool is switched off and unplugged before carrying out any work on the tool.**
 33. **If working place is extremely hot and humid, or badly polluted by conductive dust, use a short-circuit breaker (30 mA) to assure operator safety.**
 34. **Do not use the tool on any materials containing asbestos.**
 35. **Some material contains chemicals which may be toxic. Take caution to prevent dust inhalation and skin contact. Follow material supplier safety data.**
 36. **Always use the correct dust mask/respirator for the material and application you are working with.**
 37. **Ensure that ventilation openings are kept clear when working in dusty conditions. If it should become necessary to clear dust, first disconnect the tool from the mains supply (use non metallic objects) and avoid damaging internal parts.**

SAVE THESE INSTRUCTIONS.

WARNING:

DO NOT let comfort or familiarity with product (gained from repeated use) replace strict adherence to safety rules for the subject product. **MISUSE** or failure to follow the safety rules stated in this instruction manual may cause serious personal injury.

Safety Warnings Specific for Sanding Operations:

18. **Do not use excessively oversized sanding disc paper. Follow manufacturers recommendations, when selecting sanding paper.** Larger sanding paper extending beyond the sanding pad presents a laceration hazard and may cause snagging, tearing of the disc or kickback.
19. **Check the backing pad carefully for cracks, damage or deformity before operation. Replace cracked, damaged or deformed pad immediately.**

FUNCTIONAL DESCRIPTION

CAUTION:

- Always be sure that the tool is switched off and unplugged before adjusting or checking function on the tool.

Switch action (Fig. 1)

CAUTION:

- Before plugging in the tool, always check to see that the switch trigger actuates properly and returns to the "OFF" position when released.
- Switch can be locked in "ON" position for ease of operator comfort during extended use. Apply caution when locking tool in "ON" position and maintain firm grasp on tool.

To start the tool, simply pull the switch trigger. Release the switch trigger to stop.

For continuous operation, pull the switch trigger and then push in the lock button.

To stop the tool from the locked position, pull the switch trigger fully, then release it.

Speed adjusting dial (Fig. 2)

The tool speed can be changed by turning the speed adjusting dial to a given number setting from 1 to 5.

Higher speed is obtained when the dial is turned in the direction of number 5. And lower speed is obtained when it is turned in the direction of number 1.

Refer to the table below for the relationship between the number settings on the dial and the approximate tool speed.

Number	RPM (/min)
1	2,500
2	2,800
3	3,500
4	4,200
5	4,700

CAUTION:

- If the tool is operated continuously at low speeds for a long time, the motor will get overloaded and heated up.
- The speed adjusting dial can be turned only as far as 5 and back to 1. Do not force it past 5 or 1, or the speed adjusting function may no longer work.

The tools equipped with electronic function are easy to operate because of the following features.

Constant speed control

Electronic speed control for obtaining constant speed. Possible to get fine finish, because the rotating speed is kept constant even under load condition.

Soft start feature

Safety and soft start because of suppressed starting shock.

ASSEMBLY

CAUTION:

- Always be sure that the tool is switched off and unplugged before carrying out any work on the tool.

Installing side grip (auxiliary handle) & cover (Fig. 3 & 4)

CAUTION:

- Always be sure that the side grip is installed securely before operation.

Install the cover, then screw the side grip on the tool securely. The side grip and the cover can be installed on either side of the tool.

Installing or removing abrasive disc (Fig. 5 & 6)

Mount the rubber pad onto the spindle. Fit the abrasive disc on over the rubber pad and screw the lock nut onto the spindle.

To tighten the lock nut, hold the spindle with the wrench so that it cannot revolve, then use the lock nut wrench and securely tighten clockwise.

To remove the disc, follow the installation procedure in reverse.

OPERATION

Sanding operation (Fig. 7)

CAUTION:

- Always wear safety goggles or a face shield during operation.
- Never run the tool without the abrasive disc. You may seriously damage the pad.

Hold the tool firmly. Turn the tool on and then apply the abrasive disc to the workpiece.

In general, keep the abrasive disc at an angle of about 15 degrees to the workpiece surface. Apply slight pressure only. Excessive pressure will result in poor performance and premature wear to abrasive disc.

MAINTENANCE

CAUTION:

- Always be sure that the tool is switched off and unplugged before attempting to perform inspection or maintenance.

Replacing carbon brushes (Fig. 8 & 9)

Remove and check the carbon brushes regularly. Replace when they wear down to the limit mark. Keep the carbon brushes clean and free to slip in the holders. Both carbon brushes should be replaced at the same time. Use only identical carbon brushes.

Use a screwdriver to remove the brush holder caps. Take out the worn carbon brushes, insert the new ones and secure the brush holder caps.

To maintain product SAFETY and RELIABILITY, repairs, any other maintenance or adjustment should be performed by Makita Authorized or Factory Service Centers, always using Makita replacement parts.

ACCESSORIES

CAUTION:

- These accessories or attachments are recommended for use with your Makita tool specified in this manual. The use of any other accessories or attachments might present a risk of injury to persons. Only use accessory or attachment for its stated purpose.

If you need any assistance for more details regarding these accessories, ask your local Makita Service Center.

- Rubber pad
- Abrasive discs
- Lock nut
- Wrench 17
- Lock nut wrench 28

ENG102-3

For Model GV7000C

Noise

The typical A-weighted noise level determined according to EN60745:

- Sound pressure level (L_{pA}): 81 dB (A)
- Sound power level (L_{WA}): 92 dB (A)
- Uncertainty (K): 3 dB (A)

Wear ear protection.

ENG210-4

Vibration

The vibration total value (tri-axial vector sum) determined according to EN60745:

- Work mode: disc sanding
- Vibration emission ($a_{h, DS}$): 5.5 m/s²
- Uncertainty (K): 1.5 m/s²

If the tool is used for other applications, the vibration emission values may be different.

ENG901-1

- The declared vibration emission value has been measured in accordance with the standard test method and may be used for comparing one tool with another.
- The declared vibration emission value may also be used in a preliminary assessment of exposure.

WARNING:

- The vibration emission during actual use of the power tool can differ from the declared emission value depending on the ways in which the tool is used.
- Be sure to identify safety measures to protect the operator that are based on an estimation of exposure in the actual conditions of use (taking account of all parts of the operating cycle such as the times when the tool is switched off and when it is running idle in addition to the trigger time).

For European countries only

ENH101-13

EC Declaration of Conformity

We Makita Corporation as the responsible manufacturer declare that the following Makita machine(s):

Designation of Machine: Electronic Disc Sander
Model No./ Type: GV7000C
are of series production and

Conforms to the following European Directives:

98/37/EC until 28th December 2009 and then with
2006/42/EC from 29th December 2009

And are manufactured in accordance with the following standards or standardised documents:
EN60745

The technical documentation is kept by our authorized representative in Europe who is:

Makita International Europe Ltd.
Michigan Drive, Tongwell,
Milton Keynes, MK15 8JD, England

30th January 2009



Tomoyasu Kato
Director

Makita Corporation
3-11-8, Sumiyoshi-cho,
Anjo, Aichi, JAPAN

Descriptif

1 Gâchette de l'interrupteur	6 Écrou du plateau	11 Clé plate
2 Bouton de blocage	7 Disque abrasif	12 Repère d'usure
3 Cadran de réglage de la vitesse	8 Plateau caoutchouc	13 Bouchon du porte-charbon
4 Couvercle	9 Axe	14 Tournevis
5 Poignée latérale	10 Clé à ergots	

SPÉCIFICATIONS

Modèle	GV7000	GV7000C
Diamètre du disque abrasif.....	180 mm	180 mm
Filetage de l'arbre	M14	M14
Vitesse à vide (n_0) / Vitesse nominale (n)	4 700 (min^{-1})	2 500 – 4 700 (min^{-1})
Longueur totale	210 mm	210 mm
Poids net.....	2,1 kg	2,1 kg

- Étant donné l'évolution constante de notre programme de recherche et de développement, les spécifications contenues dans ce manuel sont sujettes à modification sans préavis.
- Les spécifications peuvent varier suivant les pays.
- Poids selon la procédure EPTA 01/2003

Utilisations

L'outil est conçu pour le ponçage des grandes surfaces de bois, de plastique et de métal, ainsi que des surfaces peintes.

Alimentation

L'outil ne devra être raccordé qu'à une alimentation de la même tension que celle qui figure sur la plaque signalétique, et il ne pourra fonctionner que sur un courant secteur monophasé. Réalisé avec une double isolation, il est conforme à la réglementation européenne et peut de ce fait être alimenté sans mise à la terre.

GEA010-1

Consignes de sécurité générales pour outils électriques

⚠ MISE EN GARDE Veuillez lire toutes les mises en garde et toutes les instructions. Il y a un risque de choc électrique, d'incendie et/ou de blessure grave si les mises en garde et les instructions ne sont pas respectées.

Conservez toutes les mises en garde et instructions pour référence ultérieure.

CONSIGNES DE SÉCURITÉ POUR PONCEUSE À DISC

GEB036-3

Consignes de sécurité communes aux travaux de ponçage :

- 1. Cet outil électrique est conçu pour l'utilisation en tant que ponceuse. Veuillez lire les consignes de sécurité, instructions, illustrations et spécifications qui accompagnent cet outil électrique.** Il y a un risque de choc électrique, d'incendie et/ou de blessure grave si les instructions ci-dessous ne sont pas toutes respectées.
- 2. Il n'est pas recommandé d'exécuter de travaux de meulage, de brossage métallique, de polissage ou de tronçonnage avec cet outil électrique.** Il y a un risque de danger et de blessure si l'outil électrique est utilisé pour exécuter des travaux pour lesquels il n'a pas été conçu.

- 3. N'utilisez pas d'accessoires non spécifiquement conçus et recommandés par le fabricant de l'outil.** Même s'il est possible de fixer un accessoire à l'outil électrique, cela ne garantit pas qu'il fonctionnera de manière sûre.
- 4. La vitesse nominale de l'accessoire doit être au moins égale à la vitesse maximale indiquée sur l'outil électrique.** Les accessoires utilisés à une vitesse supérieure à leur vitesse nominale peuvent se casser et voler en éclats.
- 5. Le diamètre extérieur et l'épaisseur de l'accessoire ne doivent pas dépasser la capacité nominale de l'outil électrique.** La maîtrise et la protection des accessoires de format incorrect ne peuvent être garantis.
- 6. La taille de l'alésage des semelles ou autres accessoires doit être bien adaptée à la taille de l'axe de l'outil électrique.** Un accessoire dont les alésages ne sont pas bien adaptés à la taille de la pièce où il est monté sur l'outil électrique se déséquilibrera, vibrera trop et pourra entraîner une perte de maîtrise de l'outil.
- 7. N'utilisez pas l'accessoire s'il est endommagé. Avant chaque utilisation, vérifiez les accessoires tels que la semelle, pour y détecter la présence de fissures ou d'usure excessive. Si vous échappez l'outil électrique ou un accessoire, assurez-vous qu'il n'est pas endommagé et remplacez-le en cas de dommage. Après avoir vérifié et installé un accessoire, assurez-vous que personne, y compris vous-même, ne se trouve au même niveau que l'accessoire rotatif, et faites tourner l'outil électrique à vitesse maximale, sans charge, pendant une minute.** Normalement l'accessoire se cassera lors de ce test s'il est endommagé.
- 8. Portez des dispositifs de protection personnelle. Suivant le type de travail à effectuer, utilisez un écran facial, des lunettes étanches ou des lunettes de sécurité. Au besoin, portez un masque antipoussières, des protecteurs d'oreilles, des gants ou un tablier de travail assurant une protection contre les petits fragments de pièce.** La protection des yeux doit pouvoir arrêter les débris éjectés lors des divers travaux. Le masque antipoussières ou le masque filtrant doit pouvoir filtrer les particules générées lors des travaux. L'exposition prolongée à un bruit d'intensité élevée peut entraîner la surdité.

9. **Assurez-vous que les curieux demeurent à une distance sûre de la zone de travail. Toute personne pénétrant dans la zone de travail doit porter des dispositifs de protection personnelle.** Des fragments de pièce ou un accessoire cassé peuvent être éjectés et blesser les personnes présentes dans la zone de travail.
 10. **Saisissez l'outil électrique uniquement par ses surfaces de poigne isolées lorsque vous effectuez des travaux au cours desquels l'accessoire tranchant peut entrer en contact avec des fils cachés ou avec le cordon d'alimentation de l'outil.** Le contact de l'accessoire tranchant avec un fil sous tension peut également mettre sous tension les parties métalliques exposées de l'outil électrique, causant ainsi un choc électrique chez l'utilisateur.
 11. **Placez le cordon à l'écart de l'accessoire tournant.** Si vous perdez la maîtrise de l'outil, vous risquez de couper ou d'accrocher le cordon, et l'accessoire tournant risque de vous happer une main ou un bras.
 12. **Ne déposez jamais l'outil électrique avant que l'accessoire n'ait complètement cessé de tourner.** L'accessoire tournant risquerait d'accrocher la surface et d'entraîner une perte de maîtrise de l'outil électrique.
 13. **Ne laissez pas tourner l'outil électrique lorsque vous le transportez.** L'accessoire tournant risquerait d'entrer accidentellement en contact avec vos vêtements et d'être ensuite attiré vers votre corps.
 14. **Nettoyez régulièrement les orifices de ventilation de l'outil électrique.** Le ventilateur du moteur attire la poussière à l'intérieur du carter et l'accumulation excessive de poudre métallique peut causer un danger électrique.
 15. **N'utilisez pas l'outil électrique près des matériaux inflammables.** Les étincelles peuvent allumer ces matériaux.
 16. **N'utilisez pas d'accessoires pour lesquels l'utilisation d'un liquide de refroidissement est nécessaire.** L'utilisation d'eau ou d'un liquide de refroidissement comporte un risque d'électrocution ou de choc électrique.
 17. **Mises en garde concernant les chocs en retour**
Le choc en retour est une réaction soudaine qui survient lorsque la semelle ou un autre accessoire en rotation accroche. Cela provoque l'arrêt rapide de l'accessoire en rotation et l'utilisateur perd alors la maîtrise de l'outil électrique projeté dans le sens contraire de sa rotation au point où il se coince dans la pièce. Le choc en retour est le résultat d'une mauvaise utilisation de l'outil électrique et/ou de procédures ou conditions inadéquates de travail. Il peut être évité en prenant les mesures appropriées, tel qu'indiqué ci-dessous.
 - a) **Maintenez une poigne ferme sur l'outil électrique, et placez corps et bras de façon à assurer une bonne résistance aux forces de choc en retour. Utilisez toujours la poignée auxiliaire lorsque cette dernière est disponible, pour assurer une maîtrise maximale de l'outil en cas de choc en retour ou de couple de réaction au moment du démarrage.** L'utilisateur peut maîtriser l'effet du couple de réaction ou du choc en retour s'il prend les précautions nécessaires.
 - b) **Ne placez jamais la main près d'un accessoire en rotation.** L'accessoire risquerait de passer sur la main en cas de choc en retour.
 - c) **Ne vous placez pas dans la zone vers laquelle l'outil électrique se déplacera en cas de choc en retour.** Le choc en retour projetera l'outil dans le sens opposé au mouvement de la meule au point où elle accroche dans la pièce.
 - d) **Soyez tout particulièrement prudent lorsque vous travaillez dans les coins, sur des bords tranchants, etc. Évitez de laisser l'accessoire bondir ou accrocher.** L'accessoire en rotation a tendance à accrocher, entraînant une perte de maîtrise ou un choc en retour, au contact des coins et des bords tranchants, ou lorsqu'il bondit.
 - e) **Ne fixez pas une lame de tronçonneuse ou une lame dentée.** De telles lames causent fréquemment des chocs en retour et des pertes de maîtrise.
- Consignes de sécurité spécifiques aux travaux de ponçage :**
18. **N'utilisez pas du papier abrasif de trop grande taille. Suivez les recommandations du fabricant pour choisir le papier abrasif.** Il y a risque de lacération si le papier abrasif dépasse de la semelle, et le disque risque alors d'accrocher, de s'user plus vite ou de provoquer un choc en retour.
 19. **Avant l'utilisation, assurez-vous que la semelle ne comporte aucune fissure et qu'elle n'est pas endommagée ou déformée. Veuillez remplacer immédiatement toute semelle fissurée, endommagée déformée.**
 20. **NE JAMAIS utiliser cet outil avec des lames à bois ou autres lames de scie. Les lames de ce type sautent fréquemment lorsque utilisées sur une ponceuse, et elles peuvent alors entraîner une perte de maîtrise pouvant causer des blessures.**
 21. **Tenez l'outil fermement.**
 22. **Gardez les mains éloignées des pièces en rotation.**
 23. **Assurez-vous que le disque abrasif n'entre pas en contact avec la pièce à travailler avant de mettre l'interrupteur sous tension.**
 24. **Lorsque vous poncez des surfaces métalliques, prenez garde aux étincelles. Tenez l'outil de sorte que les étincelles ne jaillissent pas vers vous, vers une personne présente ou vers un matériau inflammable.**
 25. **Ne laissez pas tourner l'outil après l'utilisation. Ne faites fonctionner l'outil qu'une fois que vous l'avez bien en main.**
 26. **Ne touchez pas la pièce immédiatement après avoir terminé le travail ; elle peut être très chaude et vous brûler la peau.**
 27. **Vérifiez que la pièce est correctement soutenue.**
 28. **Soyez conscient que la meule continue de tourner une fois l'outil mis hors tension.**
 29. **Cet outil n'ayant pas été imperméabilisé, la surface de la pièce à travailler doit être exempte d'eau.**
 30. **Aérez votre aire de travail de manière adéquate lorsque vous effectuez des travaux de ponçage.**

31. L'utilisation de cet outil pour poncer certains produits, les surfaces peintes et le bois peut exposer l'utilisateur à des poussières qui contiennent des substances dangereuses. Utilisez une protection des voies respiratoires appropriée.
32. Avant d'effectuer toute intervention sur l'outil, assurez-vous toujours qu'il est hors tension et débranché.
33. Si le site de travail est extrêmement chaud et humide, ou s'il y a beaucoup de poussières conductrices dans l'air, utilisez un coupe-circuit (30 mA) pour assurer votre sécurité.
34. N'utilisez l'outil sur aucun matériau contenant de l'amiante.
35. Certains matériaux contiennent des produits chimiques qui peuvent être toxiques. Prenez les précautions nécessaires pour ne pas inhaler les poussières qu'ils dégagent et pour éviter tout contact avec la peau. Conformez-vous aux consignes de sécurité du fabricant.
36. Utilisez toujours un masque antipoussières ou un masque filtrant approprié au matériau à travailler et à l'outil utilisé.
37. Assurez-vous que les orifices de ventilation sont toujours bien dégagés lorsque vous travaillez dans des conditions poussiéreuses. Lorsqu'il devient nécessaire de retirer la poussière accumulée, débranchez d'abord l'outil de la prise secteur (utilisez un objet non métallique) et prenez garde d'endommager les pièces internes.

CONSERVEZ CES INSTRUCTIONS.

AVERTISSEMENT :

NE vous laissez PAS tromper (avec l'usage répété) par un sentiment de confort ou de familiarité avec l'outil, au point de ne pas respecter rigoureusement les consignes de sécurité qui accompagnent l'outil. La MAUVAISE UTILISATION de l'outil ou l'ignorance des consignes de sécurité indiquées dans ce manuel d'instructions peut entraîner une blessure grave.

DESCRIPTION DU FONCTIONNEMENT

ATTENTION :

- Assurez-vous toujours que l'outil est hors tension et débranché avant de l'ajuster ou de vérifier son fonctionnement.

Interrupteur (Fig. 1)

ATTENTION :

- Avant de brancher l'outil, vérifiez toujours que la gâchette fonctionne correctement et revient sur la position OFF une fois relâchée.
- Il est possible de verrouiller l'interrupteur en position de marche pour rendre le travail de l'utilisateur plus confortable lors d'une utilisation prolongée. Faites preuve de prudence lorsque vous verrouillez l'outil en position de marche et gardez une prise ferme sur l'outil.

Pour mettre l'outil en route, il suffit de tirer sur la gâchette de l'interrupteur. Pour arrêter l'outil, relâchez la gâchette de l'interrupteur.

Pour obtenir un fonctionnement continu, tirez sur la gâchette de l'interrupteur et appuyez sur le bouton de blocage.

Pour arrêter l'outil lorsqu'il fonctionne en continu, tirez à fond sur la gâchette de l'interrupteur et relâchez-la.

Cadran de réglage de la vitesse (Fig.2)

La vitesse de l'outil peut être modifiée en tournant le cadran de réglage de la vitesse sur un numéro de réglage donné, de 1 à 5.

Une vitesse plus élevée est obtenue lorsque le cadran est tourné dans le sens du numéro 5.

Une vitesse plus basse est obtenue lorsqu'il est tourné dans le sens du numéro 1.

Reportez-vous au tableau qui suit pour le rapport entre les réglages numérotés sur le cadran et la vitesse approximative de l'outil.

Numéro	RPM (/min)
1	2 500
2	2 800
3	3 500
4	4 200
5	4 700

ATTENTION :

- Si l'outil est utilisé de manière continue à basse vitesse sur une période prolongée, le moteur surchargera et chauffera.
- Le cadran de réglage de la vitesse ne peut pas être tourné plus haut que 5 ou plus bas que 1. N'essayez pas de le placer au-delà de 5 ou en dessous de 1, sinon le réglage de la vitesse risque de ne plus fonctionner.

Les outils dotés de fonctions électroniques sont faciles à utiliser grâce aux caractéristiques suivantes.

Commande de vitesse constante

Commande électronique de la vitesse pour l'obtention d'une vitesse constante. Permet la précision du travail de finition, puisque la vitesse de rotation est maintenue constante même en condition de charge.

Démarrage en douceur

Sécurité et douceur du démarrage grâce à la suppression du "choc de démarrage".

ASSEMBLAGE

ATTENTION :

- Assurez-vous toujours que l'outil est hors tension et débranché avant d'effectuer tout travail dessus.

Installation de la poignée latérale (poignée auxiliaire) et du couvercle (Fig. 3 et 4)

ATTENTION :

- Avant l'utilisation, assurez-vous toujours que la poignée latérale est installée de manière sûre.

Installez le couvercle, puis vissez à fond la poignée latérale sur l'outil. La poignée latérale et le couvercle peuvent être installés d'un côté ou de l'autre de l'outil.

Installation ou retrait du disque abrasif

(Fig. 5 et 6)

Placez le plateau caoutchouc sur l'arbre. Ajustez le disque abrasif sur le plateau caoutchouc et vissez l'écrou sur l'arbre.

Pour serrer l'écrou du plateau, retenez l'axe à l'aide de la clé pour l'empêcher de tourner, et serrez fermement l'écrou du plateau en tournant la clé à ergots dans le sens des aiguilles d'une montre.

Pour retirer le disque abrasif, suivez la procédure d'installation en sens inverse.

UTILISATION

Ponçage (Fig. 7)

ATTENTION :

- Portez toujours des lunettes de protection ou un écran facial pendant l'opération.
- Ne faites jamais fonctionner l'outil sans le disque abrasif. Vous pourriez endommager gravement le coussinet.

Tenez l'outil fermement. Faites démarrer l'outil puis appliquez le disque abrasif sur la pièce à travailler.

En général, maintenez le disque abrasif sur un angle d'environ 15 degrés par rapport à la surface de la pièce. N'appliquez qu'une légère pression. Une pression excessive résulterait en un rendement médiocre et accélérerait l'usure du disque abrasif.

ENTRETIEN

ATTENTION :

- Assurez-vous toujours que l'outil est hors tension et débranché avant d'y effectuer tout travail d'inspection ou d'entretien.

Remplacement des charbons (Fig. 8 et 9)

Retirez et vérifiez régulièrement les charbons. Remplacez-les lorsqu'ils sont usés jusqu'au trait de limite d'usure. Maintenez les charbons propres et en état de glisser aisément dans les porte-charbon. Les deux charbons doivent être remplacés en même temps. N'utilisez que des charbons identiques.

Utilisez un tournevis pour retirer les bouchons de porte-charbon. Enlevez les charbons usés, insérez-en de nouveaux et revissez solidement les bouchons de porte-charbon.

Pour assurer la SÉCURITÉ et la FIABILITÉ du produit, les réparations et autres travaux de maintenance ou de réglage doivent être confiés au centre de service après-vente agréé d'un revendeur ou d'une usine Makita, et toujours effectués au moyen de pièces de rechange Makita.

ACCESSOIRES

ATTENTION :

- Ces accessoires ou pièces complémentaires sont recommandés pour l'utilisation avec l'outil Makita spécifié dans ce mode d'emploi. L'utilisation de tout autre accessoire ou pièce peut comporter un risque de blessure. N'utilisez les accessoires ou pièces qu'aux fins mentionnées dans le présent mode d'emploi.

Si vous désirez obtenir plus de détails concernant ces accessoires, veuillez contacter le centre de service après-vente Makita le plus près.

- Plateau caoutchouc
- Disque abrasif
- Ecrou du plateau
- Clé plate 17
- Clé à ergots 28

ENG102-3

Pour le modèle GV7000C

Bruit

Niveau de bruit pondéré A typique, déterminé selon EN60745 :

Niveau de pression sonore (L_{pA}) : 81 dB (A)

Niveau de puissance sonore (L_{WA}) : 92 dB (A)

Incertitude (K) : 3 dB (A)

Porter des protecteurs anti-bruit.

ENG210-4

Vibrations

Valeur totale de vibrations (somme de vecteur triaxial) déterminée selon EN60745 :

Mode de travail : ponçage avec disque

Emission de vibrations ($a_{h, DS}$) : 5,5 m/s²

Incertitude (K) : 1,5 m/s²

Si l'outil est utilisé pour d'autres applications, il se peut que les valeurs de vibration soient différentes.

ENG901-1

- La valeur d'émission de vibrations déclarée a été mesurée conformément à la méthode de test standard et peut être utilisée pour comparer les outils entre eux.
- La valeur d'émission de vibrations déclarée peut aussi être utilisée pour l'évaluation préliminaire de l'exposition.

AVERTISSEMENT :

- L'émission de vibrations lors de l'usage réel de l'outil électrique peut être différente de la valeur d'émission déclarée, suivant la façon dont l'outil est utilisé.
- Les mesures de sécurité à prendre pour protéger l'utilisateur doivent être basées sur une estimation de l'exposition dans des conditions réelles d'utilisation (en tenant compte de toutes les composantes du cycle d'utilisation, comme par exemple le moment de sa mise hors tension, lorsqu'il tourne à vide et le moment de son déclenchement).

Pour les pays d'Europe uniquement

Déclaration de conformité CE

Makita Corporation, en tant que fabricant responsable,

déclare que la ou les machines suivantes :

Désignation de la machine : Ponceuse à disc électronique

N° de modèle / Type : GV7000C

sont produites en série et

sont conformes aux Directives européennes suivantes :

98/37/CE jusqu'au 28 décembre 2009, puis 2006/

42/CE à compter du 29 décembre 2009

et qu'elles sont fabriquées conformément aux normes ou documents normalisés suivants :

EN60745

La documentation technique est conservée par notre représentant agréé en Europe, à savoir :

Makita International Europe Ltd.

Michigan Drive, Tongwell,

Milton Keynes, MK15 8JD, Angleterre

30 janvier 2009



Tomoyasu Kato
Directeur

Makita Corporation
3-11-8, Sumiyoshi-cho,
Anjo, Aichi, JAPAN

Übersicht

1	Elektronikschalter	6	Sicherungsmutter	11	Schraubenschlüssel
2	Schalterarretierung	7	Schleifscheibe	12	Verschleißgrenze
3	Drehzahl-Stellrad	8	Elastischer Schleifteller	13	Kohlebürstenkappe
4	Abdeckung	9	Spindel	14	Schraubendreher
5	Seitengriff	10	Stirnlochschlüssel		

TECHNISCHE DATEN

Modell	GV7000	GV7000C
Schleifscheibendurchmesser	180 mm	180 mm
Spindelgewinde	M14	M14
Leerlaufdrehzahl (n_0) / Nenndrehzahl (n).....	4 700 (min ⁻¹)	2 500 – 4 700 (min ⁻¹)
Gesamtlänge	210 mm	210 mm
Nettogewicht.....	2,1 kg	2,1 kg

- Wir behalten uns vor, Änderungen im Zuge der Entwicklung und des technischen Fortschritts ohne vorherige Ankündigung vorzunehmen.
- Die technischen Daten können von Land zu Land abweichen.
- Gewicht nach EPTA-Verfahren 01/2003

Vorgesehene Verwendung

Das Werkzeug ist für das Schleifen großer Flächen aus Holz, Kunststoff und Metall sowie lackierter Flächen vorgesehen.

Netzanschluss

Die Maschine darf nur an die auf dem Typenschild angegebene Netzspannung angeschlossen werden und arbeitet nur mit Einphasen-Wechselspannung. Sie ist entsprechend den Europäischen Richtlinien doppelt schutzisoliert und kann daher auch an Steckdosen ohne Erdanschluß betrieben werden.

GEA010-1

Allgemeine Sicherheitswarnungen für Elektrowerkzeuge

⚠️ WARNUNG Lesen Sie alle Sicherheitswarnungen und Anweisungen durch. Eine Missachtung der unten aufgeführten Warnungen und Anweisungen kann zu einem elektrischen Schlag, Brand und/oder schweren Verletzungen führen.

Bewahren Sie alle Warnungen und Anweisungen für spätere Bezugnahme auf.

SICHERHEITSWARNUNGEN FÜR TELLERSCHLEIFER

GEB036-3

Allgemeine Sicherheitswarnungen für Schleifbetrieb:

1. **Dieses Elektrowerkzeug ist für den Einsatz als Schleifer vorgesehen. Lesen Sie alle mit diesem Elektrowerkzeug gelieferten Sicherheitswarnungen, Anweisungen, Abbildungen und technischen Daten durch.** Eine Missachtung der unten aufgeführten Anweisungen kann zu einem elektrischen Schlag, Brand und/oder schweren Verletzungen führen.

2. **Arbeiten, wie Trennschleifen, Drahtbürsten, Polieren oder Abschneiden mit diesem Elektrowerkzeug, sind nicht zu empfehlen.** Benutzungswarnungen, für die das Elektrowerkzeug nicht ausgelegt ist, können Gefahren erzeugen und Verletzungen verursachen.
3. **Verwenden Sie kein Zubehör, das nicht speziell vom Werkzeughersteller vorgesehen ist und empfohlen wird.** Die bloße Tatsache, dass ein Zubehörteil an Ihrem Elektrowerkzeug angebracht werden kann, gewährleistet noch keinen sicheren Betrieb.
4. **Die Nenndrehzahl des Zubehörteils muss mindestens der am Elektrowerkzeug angegebenen Maximaldrehzahl entsprechen.** Zubehörteile, die schneller als ihre Nenndrehzahl rotieren, können bersten und auseinander fliegen.
5. **Außendurchmesser und Dicke des Zubehörteils müssen innerhalb der Kapazitätsgrenzen Ihres Elektrowerkzeugs liegen.** Zubehörteile der falschen Größe können nicht angemessen geschützt oder kontrolliert werden.
6. **Die Wellengröße von Schleiftellern oder anderen Zubehörteilen muss genau der Spindelgröße des Elektrowerkzeugs entsprechen.** Zubehörteile, deren Spindelbohrung nicht genau auf den Montageflansch des Elektrowerkzeugs passt, laufen unruhig, vibrieren übermäßig und können einen Verlust der Kontrolle verursachen.
7. **Verwenden Sie keine beschädigten Zubehörteile. Überprüfen Sie das Zubehörteil (z. B. Schleifteller) vor jedem Gebrauch auf Brüche, Risse oder übermäßigen Verschleiß. Falls das Elektrowerkzeug oder das Zubehörteil herunterfällt, überprüfen Sie es auf Beschädigung, oder montieren Sie ein unbeschädigtes Zubehörteil. Achten Sie nach der Überprüfung und Installation eines Zubehörteils darauf, dass Sie selbst und Umstehende nicht in der Rotationsebene des Zubehörteils stehen, und lassen Sie das Elektrowerkzeug eine Minute lang mit maximaler Leerlaufdrehzahl laufen.** Ein beschädigtes Zubehörteil bricht normalerweise während dieses Probelaufs auseinander.

8. **Tragen Sie Schutzausrüstung. Benutzen Sie je nach der Arbeit einen Gesichtsschutz bzw. eine Sicherheits- oder Schutzbrille. Tragen Sie bei Bedarf eine Staubmaske, Ohrenschützer, Handschuhe und eine Arbeitsschürze, die in der Lage ist, kleine Werkstücksplitter abzuwehren.** Der Augenschutz muss in der Lage sein, den bei verschiedenen Arbeiten anfallenden Flugstaub abzuwehren. Die Staubmaske oder Atemschutzmaske muss in der Lage sein, durch die Arbeit erzeugte Partikel herauszufiltern. Lang anhaltende Lärmbelastung kann zu Gehörschäden führen.
 9. **Halten Sie Umstehende in sicherem Abstand vom Arbeitsbereich. Jeder, der den Arbeitsbereich betritt, muss Schutzausrüstung tragen.** Bruchstücke des Werkstücks oder eines beschädigten Zubehörteils können weggeschleudert werden und Verletzungen über den unmittelbaren Arbeitsbereich hinaus verursachen.
 10. **Halten Sie das Elektrowerkzeug nur an den isolierten Griffflächen, wenn Sie Arbeiten ausführen, bei denen die Gefahr besteht, dass verborgene Kabel oder das eigene Kabel kontaktiert werden.** Bei Kontakt mit einem Strom führenden Kabel werden die freiliegenden Metallteile des Elektrowerkzeugs ebenfalls Strom führend, so dass der Benutzer einen elektrischen Schlag erleiden kann.
 11. **Halten Sie das Kabel vom rotierenden Zubehörteil fern.** Falls Sie die Kontrolle verlieren, kann das Kabel durchgetrennt oder erfasst werden, so dass Ihre Hand oder Ihr Arm in das rotierende Zubehörteil hineingezogen wird.
 12. **Legen Sie das Elektrowerkzeug erst ab, nachdem das Zubehörteil zum vollständigen Stillstand gekommen ist.** Anderenfalls kann das rotierende Zubehörteil die Oberfläche erfassen und das Elektrowerkzeug aus Ihren Händen reißen.
 13. **Lassen Sie das Elektrowerkzeug nicht laufen, während Sie es an Ihrer Seite tragen.** Das rotierende Zubehörteil könnte sonst bei versehentlichem Kontakt Ihre Kleidung erfassen und auf Ihren Körper zu gezogen werden.
 14. **Reinigen Sie die Ventilationsöffnungen des Elektrowerkzeugs regelmäßig.** Der Lüfter des Motors saugt Staub in das Gehäuse an, und starke Ablagerungen von Metallstaub können elektrische Gefahren verursachen.
 15. **Betreiben Sie das Elektrowerkzeug nicht in der Nähe von brennbaren Materialien.** Funken könnten diese Materialien entzünden.
 16. **Verwenden Sie keine Zubehörteile, die Kühlfüssigkeiten erfordern.** Die Verwendung von Wasser oder anderen Kühlfüssigkeiten kann zu einem Stromschlag führen.
 17. **Warnungen vor Rückschlag und damit zusammenhängenden Gefahren**
Ein Rückschlag ist eine plötzliche Reaktion auf das Hängenbleiben eines Schleiftellers oder eines anderen Zubehörteils. Hängenbleiben verursacht sofortiges Stocken des rotierenden Zubehörteils, was wiederum dazu führt, dass das außer Kontrolle geratene Elektrowerkzeug am Stockpunkt in die entgegengesetzte Drehrichtung des Zubehörts geschleudert wird. Rückschlag ist das Resultat falscher Handhabung des Elektrowerkzeugs und/oder falscher Arbeitsverfahren oder -bedingungen und kann durch Anwendung der nachstehenden Vorichtsmaßnahmen vermieden werden.
 - a) **Halten Sie das Elektrowerkzeug mit festem Griff, und positionieren Sie Ihren Körper und Arm so, dass Sie die Rückschlagkräfte auffangen können. Benutzen Sie stets den Zusatzgriff, wenn vorhanden, um maximale Kontrolle über Rückschlag oder Drehbewegungen während des Anlaufs zu haben.** Drehbewegungen oder Rückschlagkräfte können kontrolliert werden, wenn entsprechende Vorkehrungen getroffen werden.
 - b) **Halten Sie Ihre Hand niemals in die Nähe des rotierenden Zubehörteils.** Bei einem Rückschlag könnte das Zubehörteil Ihre Hand verletzen.
 - c) **Stellen Sie sich nicht in den Bereich, in den das Elektrowerkzeug bei Auftreten eines Rückschlags geschleudert wird.** Der Rückschlag schleudert die Maschine am Stockpunkt in die entgegengesetzte Drehrichtung der Schleifscheibe.
 - d) **Lassen Sie beim Bearbeiten von Ecken und scharfen Kanten usw. besondere Vorsicht walten. Vermeiden Sie Anstoßen und Verhaken des Zubehörteils.** Ecken, scharfe Kanten oder Anstoßen führen leicht zu Hängenbleiben des rotierenden Zubehörteils und verursachen Verlust der Kontrolle oder Rückschlag.
 - e) **Montieren Sie keine Sägeketten, Holzfräsen oder gezahnte Sägeblätter.** Solche Zubehörteile verursachen häufige Rückschläge und Verlust der Kontrolle.
- Spezielle Sicherheitswarnungen für Schleifbetrieb:**
18. **Verwenden Sie keine übergroßen Schleifscheiben. Befolgen Sie die Herstellerempfehlungen bei der Wahl des Schleifpapiers.** Größeres Schleifpapier, das über den Schleifteller hinausragt, stellt eine Gefahr für Schnittwunden dar und kann Hängenbleiben oder Zerreißen der Schleifscheibe oder Rückschlag verursachen.
 19. **Überprüfen Sie den Schleifteller vor dem Betrieb sorgfältig auf Risse, Beschädigung oder Verformung. Ein gerissener, beschädigter oder verformter Schleifteller muss unverzüglich ausgewechselt werden.**
 20. **Verwenden Sie die Maschine NIEMALS mit Holz- und anderen Sägeblättern. Solche Sägeblätter verursachen bei Verwendung an einer Schleifmaschine häufiges Rückschlagen und Verlust der Kontrolle, was zu Verletzungen führen kann.**
 21. **Halten Sie die Maschine mit festem Griff.**
 22. **Halten Sie die Hände von rotierenden Teilen fern.**

23. Vergewissern Sie sich vor dem Einschalten der Maschine, dass die Schleifscheibe nicht das Werkstück berührt.
24. Achten Sie beim Schleifen von Metalloberflächen auf Funkenflug. Halten Sie die Maschine so, dass Sie und andere Personen oder leicht entzündliche Materialien nicht von den Funken getroffen werden.
25. Lassen Sie die Maschine nicht unbeaufsichtigt laufen. Benutzen Sie die Maschine nur mit Handhaltung.
26. Vermeiden Sie eine Berührung des Werkstücks unmittelbar nach der Bearbeitung, weil es dann noch sehr heiß ist und Hautverbrennungen verursachen kann.
27. Vergewissern Sie sich, dass das Werkstück sicher abgestützt ist.
28. Beachten Sie, dass sich die Schleifscheibe nach dem Ausschalten der Maschine noch weiterdreht.
29. Benutzen Sie die Werkstückoberfläche nicht mit Wasser, weil diese Maschine nicht wasserdicht ist.
30. Sorgen Sie für angemessene Belüftung des Arbeitsbereichs während der Durchführung von Schleifarbeiten.
31. Der Gebrauch dieser Maschine zum Schleifen bestimmter Produkte, Lacke und Holz kann den Benutzer Staub aussetzen, der gefährliche Substanzen enthält. Verwenden Sie einen geeigneten Atemschutz.
32. Vergewissern Sie sich vor der Ausführung von Arbeiten an der Maschine stets, dass sie ausgeschaltet und vom Stromnetz getrennt ist.
33. Falls der Arbeitsplatz sehr heiß, feucht oder durch leitfähigen Staub stark verschmutzt ist, verwenden Sie einen Kurzschlusschalter (30 mA) zum Schutz des Bedieners.
34. Verwenden Sie diese Maschine nicht zur Bearbeitung von asbesthaltigen Materialien.
35. Manche Materialien können giftige Chemikalien enthalten. Treffen Sie Vorsichtsmaßnahmen, um das Einatmen von Arbeitsstaub und Hautkontakt zu verhüten. Befolgen Sie die Sicherheitsdaten des Materialherstellers.
36. Verwenden Sie stets die korrekte Staubschutz- oder Atemmaske für das jeweilige Material und die Anwendung.
37. Achten Sie beim Arbeiten unter staubigen Bedingungen darauf, dass die Ventilationsöffnungen frei gehalten werden. Sollte die Beseitigung von Staub notwendig sein, trennen Sie die Maschine zuerst vom Stromnetz (nichtmetallische Gegenstände verwenden), und vermeiden Sie eine Beschädigung der Innenteile.

BEWAHREN SIE DIESE HINWEISE SORGFÄLTIG AUF.

WARNUNG:

Lassen Sie sich NICHT durch Bequemlichkeit oder Vertrautheit mit dem Produkt (durch wiederholten Gebrauch erworben) von der strikten Einhaltung der Sicherheitsregeln für das vorliegende Produkt abhalten. MISSBRAUCH oder Missachtung der Sicherheitsvorschriften in dieser Anleitung können schwere Verletzungen verursachen.

FUNKTIONSBESCHREIBUNG

VORSICHT:

- Vergewissern Sie sich vor jeder Einstellung oder Funktionsprüfung der Maschine stets, dass sie ausgeschaltet und vom Stromnetz getrennt ist.

Schalterfunktion (Abb. 1)

VORSICHT:

- Vor dem Anschließen der Maschine an das Stromnetz stets überprüfen, ob der EIN-/AUS-Schalter ordnungsgemäß funktioniert und beim Loslassen in die AUS-Stellung zurückkehrt.
- Der Schalter kann zur Arbeitserleichterung bei längerem Einsatz in der EIN-Stellung verriegelt werden. Lassen Sie Vorsicht walten, wenn Sie den Schalter in der EIN-Stellung verriegeln, und halten Sie die Maschine mit festem Griff.

Zum Einschalten drücken Sie den Elektronikschalter. Zum Ausschalten lassen Sie den Schalter los.

Für Dauerbetrieb drücken Sie den Elektronikschalter und gleichzeitig die Schalterarretierung.

Zum Ausschalten des Dauerbetriebs den Elektronikschalter drücken und wieder loslassen.

Drehzahl-Stellrad (Abb. 2)

Die Drehzahl kann durch Drehen des Drehzahl-Stellrads auf eine der Stufen von 1 bis 5 verstellt werden.

Durch Drehen des Stellrads in Richtung der Stufe 5 wird die Drehzahl erhöht. Durch Drehen des Stellrads in Richtung der Stufe 1 wird die Drehzahl verringert.

Die ungefähren Drehzahlen für die einzelnen Stellrad-Positionen sind aus der nachstehenden Tabelle ersichtlich.

Position	RPM (/min)
1	2 500
2	2 800
3	3 500
4	4 200
5	4 700

VORSICHT:

- Wird die Maschine über längere Zeitspannen im Dauerbetrieb mit niedriger Drehzahl betrieben, wird der Motor überlastet und überhitzt.
- Das Drehzahl-Stellrad lässt sich nur bis 5 und zurück auf 1 drehen. Wird es gewaltsam über 5 oder 1 hinaus gedreht, lässt sich die Drehzahl möglicherweise nicht mehr einstellen.

Die mit Elektronikfunktionen ausgestatteten Maschinen weisen die folgenden Merkmale zur Bedienungserleichterung auf.

Konstantdrehzahlregelung

Elektronische Drehzahlregelung zur Aufrechterhaltung einer konstanten Drehzahl. Feine Bearbeitung wird ermöglicht, weil die Drehzahl selbst unter Belastung konstant gehalten wird.

Soft-Start-Funktion

Diese Funktion gewährleistet Sicherheit und ruckfreies Anlaufen durch Anlaufstoßunterdrückung.

MONTAGE

VORSICHT:

- Vergewissern Sie sich vor der Ausführung von Arbeiten an der Maschine stets, dass sie ausgeschaltet und vom Stromnetz getrennt ist.

Installieren von Seitengriff (Zusatzgriff) & Abdeckung (Abb. 3 u. 4)

VORSICHT:

- Vergewissern Sie sich vor dem Betrieb stets, dass der Seitengriff einwandfrei montiert ist.

Installieren Sie die Abdeckung, und schrauben Sie dann den Seitengriff am Werkzeug fest. Seitengriff und Abdeckung können je nach Bevorzugung auf beiden Seiten des Werkzeugs angebracht werden.

Montage und Demontage der Schleifscheibe (Abb. 5 u. 6)

Befestigen Sie den Gummiteller an der Spindel. Legen Sie die Schleifscheibe auf den Gummiteller, und schrauben Sie die Sicherungsmutter auf die Spindel.

Zum Anziehen der Sicherungsmutter die Spindel mit dem Schraubenschlüssel halten, um sie zu blockieren; dann die Sicherungsmutter mit dem Sicherungsmutter-schlüssel im Uhrzeigersinn anziehen.

Zum Demontieren der Schleifscheibe ist das Montageverfahren umgekehrt anzuwenden.

BETRIEB

Schleifbetrieb (Abb. 7)

VORSICHT:

- Tragen Sie bei der Arbeit stets eine Schutzbrille und einen Gesichtsschutz.
- Benutzen Sie das Werkzeug niemals ohne Schleifscheibe. Der Schleifteller könnte sonst schwer beschädigt werden.

Halten Sie die Maschine mit festem Griff. Schalten Sie die Maschine ein, und setzen Sie dann die Schleifscheibe an das Werkstück an.

Halten Sie die Schleifscheibe im Allgemeinen in einem Winkel von etwa 15° zur Werkstückoberfläche. Üben Sie nur leichten Druck aus. Übermäßiger Druck führt zu schlechter Schleifleistung und vorzeitigem Verschleiß der Schleifscheibe.

WARTUNG

VORSICHT:

- Denken Sie vor der Durchführung von Überprüfungen oder Wartungsarbeiten stets daran, die Maschine auszuscha-len und vom Stromnetz zu trennen.

Auswechseln der Kohlebürsten (Abb. 8 u. 9)

Die Kohlebürsten müssen regelmäßig entfernt und überprüft werden. Wenn sie bis zur Verschleißgrenze abgenutzt sind, müssen sie erneuert werden. Halten Sie die Kohlebürsten stets sauber, damit sie ungehindert in den Haltern gleiten können. Beide Kohlebürsten sollten gleichzeitig erneuert werden. Verwenden Sie nur identische Kohlebürsten.

Drehen Sie die Bürstenhalterkappen mit einem Schraubendreher heraus. Nehmen Sie die abgenutzten Kohlebürsten heraus, setzen Sie die neuen ein, und drehen Sie dann die Bürstenhalterkappen wieder ein.

Um die SICHERHEIT und ZUVERLÄSSIGKEIT dieses Produkts zu gewährleisten, sollten Reparaturen und andere Wartungs- oder Einstellarbeiten nur von Makita-Vertragswerkstätten oder Makita-Kundendienstzentren unter ausschließlicher Verwendung von Makita-Originalersatzteilen ausgeführt werden.

ZUBEHÖR

VORSICHT:

- Die folgenden Zubehörteile oder Vorrichtungen werden für den Einsatz mit der in dieser Anleitung beschriebenen Makita-Maschine empfohlen. Die Verwendung anderer Zubehörteile oder Vorrichtungen kann eine Verletzungsgefahr darstellen. Verwenden Sie Zubehörteile oder Vorrichtungen nur für ihren vorgesehenen Zweck.

Wenn Sie weitere Einzelheiten bezüglich dieser Zubehörteile benötigen, wenden Sie sich bitte an Ihre Makita-Kundendienststelle.

- Elastischer Schleifteller
- Schleifscheibe
- Sicherungsmutter
- Schraubenschlüssel 17
- Stirnlochschlüssel 28

ENG102-3

Für Modell GV7000C

Geräusch

Typischer A-bewerteter Geräuschpegel ermittelt gemäß EN60745:

Schalldruckpegel (L_{pA}): 81 dB (A)

Schalleistungspegel (L_{WA}): 92 dB (A)

Ungewissheit (K): 3 dB (A)

Gehörschutz tragen.

ENG210-4

Vibration

Vibrationsgesamt看wert (Drei-Achsen-Vektorsumme) ermittelt gemäß EN60745:

Arbeitsmodus: Schleifbetrieb

Vibrationsemission ($a_{h, DS}$): 5,5 m/s²

Ungewissheit (K): 1,5 m/s²

Wenn die Maschine für andere Anwendungen verwendet wird, können die Vibrationswerte abweichen.

ENG901-1

- Der angegebene Vibrationsemissionswert wurde im Einklang mit der Standardprüfmethode gemessen und kann für den Vergleich zwischen Maschinen herangezogen werden.
- Der angegebene Vibrationsemissionswert kann auch für eine Vorbewertung des Gefährdungsgrads verwendet werden.

WARNUNG:

- Die Vibrationsemission während der tatsächlichen Benutzung des Elektrowerkzeugs kann je nach der Benutzungsweise der Maschine vom angegebenen Emissionswert abweichen.
- Identifizieren Sie Sicherheitsmaßnahmen zum Schutz des Benutzers anhand einer Schätzung des Gefährdungsgrads unter den tatsächlichen Benutzungsbedingungen (unter Berücksichtigung aller Phasen des Arbeitszyklus, wie z. B. Ausschalt- und Leerlaufzeiten der Maschine zusätzlich zur Betriebszeit).

ENH101-13

Nur für europäische Länder

EG-Übereinstimmungserklärung

Wir, die Firma Makita als verantwortlicher Hersteller, erklären, dass die folgende(n) Makita-Maschine(n):

Bezeichnung der Maschine: Elektronik-tellerschleifer

Modell-Nr./ Typ: GV7000C

der Serienproduktion entstammen und

den folgenden europäischen Richtlinien entsprechen:

98/37/EG bis 28. Dezember 2009 und dann 2006/

42/EG ab 29. Dezember 2009

und gemäß den folgenden Standards oder standardisierten Dokumenten hergestellt werden:

EN60745

Die technische Dokumentation befindet sich im Bestand unserer autorisierten Vertretung in Europa, nämlich:

Makita International Europe Ltd.

Michigan Drive, Tongwell,

Milton Keynes, MK15 8JD, England

30. Januar 2009



Tomoyasu Kato
Direktor

Makita Corporation
3-11-8, Sumiyoshi-cho,
Anjo, Aichi, JAPAN

Visione generale

1 Interruttore a grilletto	6 Controdado	11 Chiave
2 Bottone di bloccaggio	7 Disco abrasivo	12 Linea di delimitazione
3 Ghiera di regolazione velocità	8 Tampone di gomma	13 Tappo portaspazzola
4 Coperchio	9 Alberino	14 Cacciavite
5 Impungatura laterale	10 Chiave per controdadi	

DATI TECNICI

Modello	GV7000	GV7000C
Diametro disco abrasivo	180 mm	180 mm
Filettatura mandrino	M14	M14
Velocità a vuoto (n_0) / Velocità nominale (n)	4.700 (min^{-1})	2.500 – 4.700 (min^{-1})
Lunghezza totale	210 mm	210 mm
Peso netto.....	2,1 kg	2,1 kg

- Per il nostro programma di ricerca e sviluppo continui, i dati tecnici sono soggetti a modifiche senza preavviso.
- I dati tecnici potrebbero differire a seconda del paese di destinazione del modello.
- Peso in base alla procedura EPTA 01/2003

Utilizzo previsto

Questo utensile serve alla smerigliatura di grandi superfici di legno, plastica e metallo, come pure quelle verniciate.

Alimentazione

L'utensile deve essere collegato ad una presa di corrente con la stessa tensione indicata sulla targhetta del nome, e può funzionare soltanto con la corrente alternata monofase. Esso ha un doppio isolamento in osservanza alle norme europee, per cui può essere usato con le prese di corrente sprovviste della messa a terra.

GEA010-1

Avvertimenti generali per la sicurezza dell'utensile elettrico

⚠ AVVERTIMENTO Leggere tutti gli avvertimenti per la sicurezza e le istruzioni. La mancata osservanza degli avvertimenti e delle istruzioni può causare scosse elettriche, incendio e/o gravi incidenti.

Conservare tutti gli avvertimenti e le istruzioni per riferimenti futuri.

AVVERTIMENTI PER LA SICUREZZA DELLA LEVIGATRICE A DISCO

GEB036-3

Avvertimenti comuni di sicurezza per il funzionamento della smerigliatrice:

1. **Questo utensile elettrico è progettato per l'uso come smerigliatrice. Leggere tutti gli avvertimenti per la sicurezza, le istruzioni, le illustrazioni e le specifiche forniti con questo utensile elettrico.** La mancata osservanza di tutte le istruzioni seguenti potrebbe causare scosse elettriche, incendi e/o gravi incidenti.
2. **Con questo utensile elettrico si sconsigliano le operazioni quali la macinazione, la spazzolatura metallica, la lucidatura o la troncatura.** Le operazioni per le quali questo utensile elettrico non è stato progettato possono creare pericoli e causare incidenti.

3. **Non si devono usare accessori che non sono stati designati e consigliati appositamente dal produttore dell'utensile.** Anche se un accessorio può essere attaccato a questo utensile elettrico, esso non garantisce il funzionamento sicuro.
4. **La velocità nominale dell'accessorio deve essere almeno uguale alla velocità massima indicata sull'utensile elettrico.** Gli accessori che girano a una velocità maggiore di quella nominale possono rompersi e volare via.
5. **Il diametro esterno e lo spessore dell'accessorio devono essere entro la taratura nominale dell'utensile elettrico.** Gli accessori con le dimensioni sbagliate non possono essere adeguatamente protetti o controllati.
6. **L'albero dei tamponi di rinforzo o di qualsiasi altro accessorio deve avere le dimensioni adatte al mandrino dell'utensile elettrico.** Gli accessori con fori dell'albero inadatti all'attrezzatura di montaggio dell'utensile elettrico girano sbilanciati, vibrano eccessivamente e possono causare una perdita di controllo.
7. **Non si deve usare un accessorio danneggiato.** Prima di ogni utilizzo, controllare se l'accessorio, come un tampone di rinforzo, presenta crepe, rotture o usura eccessiva. Se l'utensile elettrico o l'accessorio sono caduti, controllare se sono danneggiati o installare un accessorio non danneggiato. Dopo l'ispezione e l'installazione di un accessorio, posizionarsi e tenere gli astanti lontani dal piano dell'accessorio rotante e far girare l'utensile elettrico al massimo senza carico per un minuto. Gli accessori danneggiati si rompono generalmente durante questo periodo di prova.
8. **Indossare l'equipaggiamento personale di protezione.** A seconda del lavoro, usare una visiera, occhiali di protezione o occhiali di sicurezza. Secondo il caso, mettersi la mascherina antipolvere, le protezioni per gli orecchi, i guanti e un grembiale da lavoro in grado di fermare i piccoli frammenti del pezzo. Gli occhiali di protezione devono poter fermare i frammenti volanti prodotti dalle varie operazioni. La mascherina antipolvere o respiratore devono essere capaci di filtrare le particelle generate dal lavoro. L'esposizione prolungata al rumore di alta intensità potrebbe causare la perdita dell'udito.

9. **Tenere gli astanti a una distanza di sicurezza dall'area di lavoro. Chiunque entri nell'area di lavoro deve indossare l'equipaggiamento personale di protezione.** I frammenti del pezzo o di un accessorio che si rompe potrebbero volare via causando incidenti fuori dall'area immediata del lavoro.
 10. **Tenere l'utensile elettrico soltanto per le superfici di presa isolate quando si esegue una operazione in cui l'accessorio di taglio potrebbe fare contatto con fili elettrici nascosti o con il cavo di alimentazione dell'utensile.** Il contatto dell'accessorio di taglio con un filo elettrico "sotto tensione" potrebbe mettere "sotto tensione" le parti metalliche esposte dell'utensile elettrico dando una scossa all'operatore.
 11. **Posizionare il cavo di alimentazione dell'utensile discosto dall'accessorio che gira.** Se si perde il controllo dell'utensile, il cavo potrebbe essere tagliato o rimanere impigliato, e la mano o il braccio potrebbero essere attirati nell'accessorio che gira.
 12. **Non si deve mai posare l'utensile elettrico finché l'accessorio non si è fermato completamente.** L'accessorio che gira potrebbe fare presa sulla superficie causando la perdita di controllo dell'utensile elettrico.
 13. **Non si deve far funzionare l'utensile elettrico mentre lo si trasporta sul proprio fianco.** Il contatto accidentale con l'accessorio che gira potrebbe fare presa sul vestito spingendo l'accessorio nel corpo.
 14. **Pulire regolarmente le aperture di ventilazione dell'utensile elettrico.** La ventola del motore attira la polvere all'interno dell'alloggiamento, e l'accumulazione eccessiva della polvere di metallo potrebbe causare pericoli elettrici.
 15. **Non si deve far funzionare l'utensile elettrico vicino a materiali infiammabili, perché le scintille potrebbero incendiarli.**
 16. **Non si devono usare accessori che richiedono refrigeranti liquidi.** L'impiego di acqua o di altri refrigeranti liquidi potrebbe causare elettrocuzione o scosse elettriche.
 17. **Contraccolpi e relativi avvertimenti**
Il contraccolpo è una reazione improvvisa a un tampone di rinforzo rotante o qualsiasi altro accessorio ostacolato. L'ostacolo potrebbe causare l'arresto rapido dell'accessorio rotante, che a sua volta causa la forzatura incontrollata dell'utensile elettrico nella direzione opposta di rotazione dell'accessorio sul punto di inceppamento. Il contraccolpo è il risultato dell'uso sbagliato dell'utensile elettrico e/o delle procedure o condizioni sbagliate di funzionamento, e può essere evitato prendendo le precauzioni appropriate come indicato di seguito.
 - a) **Tenere saldamente l'utensile elettrico e posizionare il corpo e le braccia in modo da poter resistere alla forza del contraccolpo. Per il massimo controllo del contraccolpo o della reazione alla coppia di avviamento, usare sempre il manico ausiliario, se fornito.** Prendendo le precauzioni appropriate, l'operatore può controllare la reazione alla coppia di avviamento e la forza del contraccolpo.
 - b) **Non si devono mai mettere le mani vicino all'accessorio rotante.** Si potrebbe verificare un contraccolpo dell'accessorio sulle mani.
 - c) **Non si deve posizionare il corpo nell'area di spostamento dell'utensile elettrico se si verifica un contraccolpo.** Il contraccolpo spinge l'utensile nella direzione opposta al movimento del disco sul punto dell'inceppamento.
 - d) **Fare particolarmente attenzione lavorando gli angoli, i bordi affilati, ecc. Evitare di far rimbalzare o di ostacolare l'accessorio.** Gli angoli, i bordi affilati o i rimbalzi tendono a inceppare l'accessorio rotante causando una perdita di controllo o un contraccolpo.
 - e) **Non si devono attaccare una lama di intaglio del legno per sega a catena o una lama dentata.** Tali lame causano frequenti contraccolpi e perdite di controllo.
- Avvertimenti speciali di sicurezza per le operazioni di smerigliatura:**
18. **Non si deve usare carta dei dischi per smerigliatura di dimensioni eccessivamente grandi. Seguire le raccomandazioni del produttore per la selezione della carta vetrata.** La carta vetrata grande che si estende oltre il tampone di smerigliatura presenta pericoli di lacerazioni e potrebbe causare inceppamenti, strappi del disco o contraccolpi.
 19. **Prima dell'utilizzo, controllare attentamente che il tampone di rinforzo non presenti crepe, danni o deformità. Sostituire immediatamente il tampone se presenta crepe, danni o deformità.**
 20. **Con questo utensile non si devono MAI usare lame per il taglio del legno o altre lame per seghe. Se vengono usate con la smerigliatrice, tali lame causano frequenti contraccolpi e perdite di controllo, con pericolo di incidenti.**
 21. **Tenere saldamente l'utensile.**
 22. **Tenere le mani lontane dalle parti rotanti.**
 23. **Accertarsi che il disco abrasivo non faccia contatto con il pezzo prima di attivare l'interruttore.**
 24. **Fare attenzione alle scintille sprigionate durante la smerigliatura delle superfici di metallo. L'utensile deve essere tenuto in modo che le scintille non colpiscano l'operatore e gli astanti o materiali infiammabili.**
 25. **Non lasciare solo l'utensile mentre funziona. Farlo funzionare soltanto tenendolo in mano.**
 26. **Il pezzo non va toccato immediatamente dopo una operazione. Esso potrebbe essere estremamente caldo e causare bruciate.**
 27. **Accertarsi che il pezzo sia supportato in modo appropriato.**
 28. **Tenere presente che il disco continua a girare dopo che si è spento l'utensile.**
 29. **Questo utensile non è a prova d'acqua, per cui non si deve usare acqua sulla superficie del pezzo.**
 30. **Ventilare adeguatamente l'area di lavoro quando si esegue una operazione di smerigliatura.**
 31. **L'utilizzo di questo utensile per la smerigliatura di alcuni prodotti, vernici e legno potrebbe esporre l'operatore a polvere contenente sostanze nocive. Usare la protezione appropriata per la respirazione.**
 32. **Accertarsi sempre che l'utensile sia spento e staccato dalla presa di corrente prima di qualsiasi intervento su di esso.**

33. Se il posto di lavoro è estremamente caldo e umido, oppure molto contaminato da polveri conduttive, usare un interruttore di corto circuito (30 mA) per garantire la sicurezza dell'operatore.
34. L'utensile non deve essere usato su materiali contenenti amianto.
35. Alcuni materiali contengono sostanze chimiche che potrebbero essere tossiche. Fare attenzione a non inalare la polvere e a evitare il contatto con la pelle. Seguire i dati per la sicurezza del fornitore del materiale.
36. Usare sempre la mascherina antipolvere/respiratore corretti secondo il materiale e l'applicazione con cui si lavora.
37. Lavorando dove c'è polvere, accertarsi che le aperture di ventilazione non siano ostruite. Se è necessario togliere la polvere, staccare prima l'utensile dalla presa di corrente (usare oggetti che non siano di metallo) ed evitare di danneggiare le parti interne.

CONSERVATE QUESTE ISTRUZIONI.

AVVERTIMENTO:

NON lasciare che la comodità o la familiarità d'utilizzo con il prodotto (acquisita con l'uso ripetuto) sostituisca la stretta osservanza delle norme di sicurezza per il prodotto stesso. L'utilizzo SBAGLIATO o la mancata osservanza delle norme di sicurezza di questo manuale di istruzioni potrebbero causare lesioni serie.

DESCRIZIONE FUNZIONALE

ATTENZIONE:

- Accertarsi sempre che l'utensile sia spento e staccato dalla presa di corrente prima di regolarlo o di controllare il suo funzionamento.

Azionamento dell'interruttore (Fig. 1)

ATTENZIONE:

- Prima di collegare l'utensile alla presa di corrente, accertatevi sempre che l'interruttore funzioni normalmente e che torni sulla posizione "OFF" quando viene rilasciato.
- L'interruttore può essere bloccato in posizione "ON" per maggiore comodità dell'operatore durante l'utilizzo prolungato. Fare attenzione quando si blocca l'utensile in posizione "ON", e tenere saldamente l'utensile.

Per avviare l'utensile, schiacciare semplicemente l'interruttore a grilletto. Rilasciare l'interruttore a grilletto per arrestare l'utensile.

Per il funzionamento continuo, schiacciare l'interruttore a grilletto e spingere dentro il bottone di bloccaggio.

Per arrestare l'utensile dalla posizione di bloccaggio, schiacciare completamente l'interruttore e rilasciarlo.

Ghiera di regolazione velocità (Fig. 2)

La velocità dell'utensile può essere cambiata girando la ghiera di regolazione della velocità su un dato numero di regolazione da 1 a 5.

Le velocità più alte si ottengono girando la leva nella direzione del numero 5. Le velocità più basse si ottengono girando la leva nella direzione del numero 1.

Per il rapporto tra i numeri delle regolazioni della ghiera e la velocità approssimativa dell'utensile, riferirsi alla tabella sotto.

Numero	RPM (/min)
1	2.500
2	2.800
3	3.500
4	4.200
5	4.700

ATTENZIONE:

- Se l'utensile viene fatto funzionare per un lungo periodo di tempo alle basse velocità, il motore si sovraccarica e si surriscalda.
- La ghiera di regolazione della velocità può essere girata soltanto fino a 5 e indietro fino a 1. Non forzarla oltre il 5 o l'1, perché altrimenti la regolazione della velocità potrebbe diventare impossibile.

Gli utensili dotati di funzioni elettroniche sono facili da usare per le caratteristiche seguenti:

Controllo costante della velocità

Controllo elettronico della velocità, per una velocità costante. Possibilità di rifiniture fini, perché la velocità di rotazione viene mantenuta costante anche nelle condizioni di carico.

Caratteristica di avvio dolce

L'avvio è sicuro e dolce perché la scossa di avvio viene soppressa.

MONTAGGIO

ATTENZIONE:

- Accertarsi sempre che l'utensile sia spento e staccato dalla presa di corrente prima di un qualsiasi intervento su di esso.

Installazione dell'impugnatura laterale (manico ausiliario) e del coperchio (Fig. 3 e 4)

ATTENZIONE:

- Accertarsi sempre che l'impugnatura laterale sia installata saldamente prima di cominciare un lavoro.

Installare il coperchio e avvitare poi saldamente l'impugnatura laterale sull'utensile. L'impugnatura laterale e il coperchio possono essere installati su entrambi i fianchi dell'utensile.

Installazione o rimozione del disco abrasivo

(Fig. 5 e 6)

Montare il tampone di gomma sul mandrino. Montare il disco abrasivo sul tampone di gomma e avvitare il contro dado sul mandrino.

Per stringere il contro dado, tenere fermo il mandrino con la chiave in modo che non possa girare e usare poi la chiave per contro dadi per stringerlo saldamente in senso orario. Per rimuovere il disco abrasivo, seguire il procedimento opposto di installazione.

FUNZIONAMENTO

Operazione di sabbiatura (Fig. 7)

ATTENZIONE:

- Indossare sempre occhiali di protezione o una maschera durante il lavoro.
- Mai far funzionare l'utensile senza il disco abrasivo. Si potrebbe danneggiare seriamente il tampone.

Tenere saldamente l'utensile. Accendere l'utensile e applicare il disco abrasivo sul pezzo.

Mantenere generalmente il disco abrasivo a un angolo di circa 15 gradi rispetto alla superficie del pezzo. Applicare soltanto una leggera pressione. La pressione eccessiva causa scarse prestazioni e l'usura prematura del disco abrasivo.

MANUTENZIONE

ATTENZIONE:

Accertarsi sempre che l'utensile sia spento e staccato dalla presa di corrente prima di eseguire l'ispezione o la manutenzione.

Sostituzione delle spazzole di carbone (Fig. 8 e 9)

Rimuovere e controllare regolarmente le spazzole di carbone. Sostituirle quando sono usurate fino al segno del limite. Mantenere le spazzole di carbone pulite e libere di slittare nei portaspazzole. Entrambe le spazzole di carbone devono essere sostituite allo stesso tempo. Usare soltanto spazzole di carbone identiche.

Usare un cacciavite per rimuovere i tappi dei portaspazzole. Estrarre le spazzole di carbone usurate, inserire le nuove spazzole e fissare i tappi dei portaspazzole.

Per mantenere la SICUREZZA e l'AFFIDABILITÀ del prodotto, riparazione, qualsiasi altra manutenzione o regolazione deve essere eseguita presso un rivenditore o centro di assistenza Makita autorizzato usando sempre ricambi Makita.

ACCESSORI

ATTENZIONE:

- Per l'utensile specificato in questo manuale, si consigliano questi accessori o ricambi. L'utilizzo di altri accessori o ricambi può costituire un pericolo. Usare soltanto gli accessori o ricambi specificati per il loro utilizzo.

Per maggiori dettagli e l'assistenza, rivolgersi al Centro Assistenza Makita locale.

- Tampone di gomma
- Disco abrasivo
- Contro dado
- Chiave 17
- Chiave per contro dadi 28

ENG102-3

Per Modello GV7000C

Rumore

Il tipico livello di rumore pesato A determinato secondo EN60745:

Livello pressione sonora (L_{pA}): 81 dB (A)

Livello potenza sonora (L_{WA}): 92 dB (A)

Incertezza (K): 3 dB (A)

Indossare i paraorecchi.

ENG210-4

Vibrazione

Il valore totale di vibrazione (somma vettore triassiale) determinato secondo EN60745:

Modalità operativa: Smerigliatura con disco

Emissione di vibrazione ($a_{h, DS}$): 5,5 m/s²

Incertezza (K): 1,5 m/s²

Se l'utensile viene usato per altre applicazioni, i valori di vibrazione potrebbero essere diversi.

ENG901-1

- Il valore di emissione delle vibrazioni dichiarato è stato misurato conformemente al metodo di test standard, e può essere usato per paragonare un utensile con un altro.
- Il valore di emissione delle vibrazioni dichiarato può anche essere usato per una valutazione preliminare dell'esposizione.

AVVERTIMENTO:

- L'emissione delle vibrazioni durante l'uso reale dell'utensile elettrico può differire dal valore di emissione dichiarato a seconda dei modi in cui viene usato l'utensile.
- Identificare le misure di sicurezza per la protezione dell'operatore basate sulla stima dell'esposizione nelle condizioni reali d'utilizzo (tenendo presente tutte le parti del ciclo operativo, come le volte in cui l'utensile viene spento e quando gira a vuoto, oltre al tempo di funzionamento).

Modello per l'Europa soltanto

Dichiarazione CE di conformità

Noi della Makita Corporation, come produttori responsabili, dichiariamo che le macchine Makita seguenti:

Designazione della macchina: Levigatrice a disco elettronica
Modello No./Tipo: GV7000C

sono una produzione di serie e

conformi alle direttive europee seguenti:

98/37/CE fino al 28 dicembre 2009 e poi 2006/42/
CE dal 29 dicembre 2009

E sono fabbricate conformemente ai seguenti standard o documenti standardizzati:

EN60745

La documentazione tecnica è tenuta dal nostro rappresentante autorizzato in Europa, che è:

Makita International Europe Ltd.
Michigan Drive, Tongwell,
Milton Keynes, MK15 8JD, England

30 gennaio 2009



Tomoyasu Kato
Amministratore

Makita Corporation
3-11-8, Sumiyoshi-cho,
Anjo, Aichi, JAPAN

Verklaring van algemene gegevens

1 Trekschakelaar	6 Sluitmoer	11 Steeksleutel
2 Vastzetknop	7 Schuurschijf	12 Limietmarkering
3 Snelheidsregelknop	8 Rubberen steunschijf	13 Koolborsteldop
4 Deksel	9 As	14 Schroevendraaier
5 Zijhandgreep	10 Nokkensleutel	

TECHNISCHE GEGEVENS

Model	GV7000	GV7000C
Diameter schuurschijf.....	180 mm	180 mm
Asschroefdraad	M14	M14
Toerental onbelast (n_0) / Nominaal toerental (n)	4 700 (min^{-1})	2 500 – 4 700 (min^{-1})
Totale lengte	210 mm	210 mm
Netto gewicht.....	2,1 kg	2,1 kg

- In verband met ononderbroken research en ontwikkeling behouden wij ons het recht voor bovenstaande technische gegevens te wijzigen zonder voorafgaande kennisgeving.
- De technische gegevens kunnen van land tot land verschillen.
- Gewicht volgens de EPTA-procedure 01/2003

Doeleinden van gebruik

Dit gereedschap is bedoeld voor het schuren van grote oppervlakken van hout-, kunststof- en metaalmaterialen, en ook geschilderde oppervlakken.

Stroomvoorziening

De machine mag alleen worden aangesloten op een stroombron van hetzelfde voltage als aangegeven op de naamplaat, en kan alleen op enkel-fase wisselstroom worden gebruikt. De machine is dubbel-geïsoleerd volgens de Europese standaard en kan derhalve ook op een niet-geaard stopcontact worden aangesloten.

GEA010-1

Algemene veiligheids waarschuwingen voor elektrisch gereedschap

⚠ WAARSCHUWING! Lees alle veiligheids waarschuwingen en alle instructies. Het niet volgen van de waarschuwingen en instructies kan leiden tot elektrische schokken, brand en/of ernstig letsel.

Bewaar alle waarschuwingen en instructies om in de toekomst te kunnen raadplegen.

VEILIGHEIDSWAARSCHUWINGEN SPECIFIEK VOOR EEN SCHUURMACHINE

GEB036-3

Gemeenschappelijke veiligheids waarschuwingen voor schuurwerkzaamheden:

1. Dit elektrisch gereedschap is bedoeld voor gebruik als schuurgereedschap. Lees alle veiligheids waarschuwingen, instructies, afbeeldingen en technische gegevens die bij dit elektrisch gereedschap worden geleverd. Als u nalaat alle onderstaande instructies te volgen, kan dit leiden tot een elektrische schok, brand en/of ernstig letsel.
2. Wij adviseren u werkzaamheden zoals slijpen, draadborstelen, polijsten of doorslijpen niet uit te voeren met dit elektrisch gereedschap. Werkzaamheden waarvoor dit elektrisch gereedschap niet is bedoeld kunnen gevaarlijke situaties opleveren en tot persoonlijk letsel leiden.

3. **Gebruik geen accessoires die niet specifiek zijn ontworpen en aanbevolen door de fabrikant van het gereedschap.** Ook wanneer het accessoire kan worden bevestigd op uw elektrisch gereedschap, is een veilige werking niet gegarandeerd.
4. **Het nominaal toerental van het accessoire moet minstens gelijk zijn aan het maximumtoerental vermeld op het elektrisch gereedschap.** Accessoires die met een hoger toerental draaien dan hun nominaal toerental kunnen stuk breken en in het rond vliegen.
5. **De buitendiameter en de dikte van het accessoire moet binnen het capaciteitsbereik van het elektrisch gereedschap vallen.** Accessoires met verkeerde afmetingen kunnen niet afoedende worden afgeschermd of beheerst.
6. **De as diameter van rugschijven en andere accessoires moeten goed passen rond de as van het elektrisch gereedschap.** Accessoires met een as diameter die niet overeenkomt met de standaard hardware voor het elektrisch gereedschap zullen niet in balans draaien, buitensporig trillen en kunnen tot verlies van controle over het gereedschap leiden.
7. **Gebruik nooit een beschadigd accessoire. Vóór ieder gebruik moeten accessoires, zoals rugschijven, worden geïnspecteerd op barsten, scheuren of buitensporige slijtage. Nadat het elektrisch gereedschap of accessoire is gevallen, inspecteert u het op schade of monteert u een onbeschadigd accessoire. Na inspectie en montage van een accessoire, zorgt u ervoor dat u en omstanders niet in het rotatie vlak van het accessoire staan, en laat u het elektrisch gereedschap draaien op het maximaal, onbelast toerental gedurende één minuut. Beschadigde accessoire breken normaal gesproken in stukken gedurende deze testduur.**

8. **Gebruik persoonlijke-veiligheidsmiddelen. Afhankelijk van de toepassing gebruikt u een gezichts-
scherm, een beschermende bril of een
veiligheidsbril. Al naar gelang van toepassing
draagt u een stofmasker, gehoorbeschermers,
handschoenen en een werkschort die in staat zijn
kleine werkstukfragmenten te weerstaan.** De oogbescherming moet in staat zijn rondvliegend afval te stoppen dat ontstaat bij de diverse werkzaamheden. Het stofmasker of ademhalingsapparaat moet in staat zijn deeltjes te filteren die ontstaat bij de werkzaamheden. Langdurige blootstelling aan zeer intens geluid kan leiden tot gehoorbeschadiging.
 9. **Houd omstanders op veilige afstand van het
werkgebied. Iedereen die zich binnen het werk-
gebied begeeft, moet persoonlijke-veiligheids-
middelen gebruiken.** Fragmenten van het werkstuk of van een uiteengevallen accessoire kunnen rondvliegen en letsel veroorzaken buiten de onmiddellijk werkomgeving.
 10. **Houd elektrisch gereedschap uitsluitend vast
aan het geïsoleerde oppervlak van de handgre-
pen wanneer u werkt op plaatsen waar het slijp-
accessoire met verborgen bedrading of zijn
eigen snoer in aanraking kan komen.** Wanneer het slijpaccessoire in aanraking komt met onder spanning staande draden, zullen ook de niet-geïsoleerde metalen delen van het elektrisch gereedschap onder spanning komen te staan zodat de gebruiker een elektrische schok kan krijgen.
 11. **Houd het snoer goed uit de buurt van het rond-
draaiende accessoire.** Als u de controle verliest over het gereedschap, kan het snoer worden doorsneden of bekneld raken, en kan uw hand of arm tegen het ronddraaiende accessoire worden aange-
trokken.
 12. **Leg het elektrisch gereedschap nooit neer voor-
dat het accessoire volledig tot stilstand is geko-
men.** Het ronddraaiende accessoire kan de ondergrond pakken zodat u de controle over het elektrisch gereedschap verliest.
 13. **Laat het elektrisch gereedschap niet draaien ter-
wijl u het naast u draagt.** Als het ronddraaiende accessoire u per ongeluk raakt, kan het verstrikt raken in uw kleding waardoor het accessoire in uw lichaam wordt getrokken.
 14. **Maak de ventilatieopeningen van het gereed-
schap regelmatig schoon.** De ventilator van de motor zal het stof de behuizing in trekken, wat kan leiden tot elektrisch gevaarlijke situaties.
 15. **Gebruik het elektrisch gereedschap niet in de
buurt van brandbare materialen.** Vonken kunnen deze materialen doen ontvlammen.
 16. **Gebruik geen accessoires die met vloeistof moe-
ten worden gekoeld.** Het gebruik van water of andere vloeibare koelmiddelen kan leiden tot elek-
trotutie of elektrische schokken.
 17. **Terugslag en aanverwante waarschuwingen**
Terugslag is een plotselinge reactie op een vastgelo-
pen draaiende rugschijf of enig ander accessoire.
Vastlopen veroorzaakt een snelle stilstand van het draaiende accessoire dat op zijn beurt ertoe leidt dat het elektrisch gereedschap zich ongecontroleerd beweegt in de tegenovergestelde richting van de draairichting van het accessoire op het moment van vastlopen. Terugslag is het gevolg van misgebruik van het elektrisch gereedschap en/of onjuiste gebruiksprocedures of -omstandigheden, en kan worden voorkomen door goede voorzorgsmaatregelen te treffen, zoals hieronder vermeld:
 - a) **Houd het gereedschap stevig vast en houd uw armen en lichaam zodanig dat u in staat bent een terugslag op te vangen. Gebruik altijd de extra handgreep (indien aanwezig) voor een maximale controle over het gereedschap in geval van terugslag en de koppelreactiekrachten bij het starten.** De gebruiker kan een terugslag of de koppelreactiekrachten opvangen indien de juiste voorzorgsmaatregelen worden getroffen.
 - b) **Plaats uw hand nooit in de buurt van het draaiende accessoire.** Het accessoire kan terugslaan over uw hand.
 - c) **Plaats uw lichaam niet in het gebied waar het elektrisch gereedschap naar toe gaat wanneer een terugslag optreedt.** Een terugslag zal het gereedschap bewegen in de tegenovergestelde richting van de draairichting van de schijf op het moment van beknellen.
 - d) **Wees bijzonder voorzichtig bij het werken met hoeken, scherpe randen, enz. Voorkom dat het accessoire springt of bekneld raakt.** Hoeken, scherpe randen of springen veroorzaken vaak beknellen van het draaiende accessoire wat leidt tot terugslag of verlies van controle over het gereedschap.
 - e) **Bevestig geen houtbewerkingsblad van een zaagketting of getand zaagblad.** Dergelijke bladen leiden vaak tot terugslag of verlies van controle over het gereedschap.
- Veiligheidswaarschuwingen specifiek voor schuurwerkzaamheden:**
18. **Gebruik geen veel te grote schuurpapierschijven. Volg de aanwijzingen van de fabrikant bij uw keuze van het schuurpapier.** Te groot schuurpapier dat uitsteekt tot voorbij de rand van het schuurkussen levert snijgevaar op en kan beknellen of scheuren van de schuurpapierschijf of terugslag veroorzaken.
 19. **Controleer de rugschijf voorzichtig op barsten, beschadigingen of vervormingen voordat u deze gebruikt. Vervang gebarsten, beschadigde of vervormde schijven onmiddellijk.**
 20. **Gebruik het gereedschap NOOIT met zaagbladen en dergelijke. Als dergelijke zaagbladen op een schuurmachine worden gebruikt, springen ze veelal waardoor u de controle over het gereedschap verliest en persoonlijk letsel kan ontstaan.**
 21. **Houd het gereedschap stevig vast.**
 22. **Houd uw handen uit de buurt van draaiende delen.**

23. Zorg ervoor dat de schuurschijf niet in aanraking is met het werkstuk voordat u het gereedschap hebt ingeschakeld.
24. Bij het schuren van metalen oppervlakken, kijkt u uit voor rondvliegende vonken. Houd het gereedschap zodanig vast dat de vonken wegvliegen van u en andere personen of brandbare materialen.
25. Laat het gereedschap niet ingeschakeld liggen. Bedien het gereedschap alleen wanneer u het vasthoudt.
26. Raak het werkstuk niet onmiddellijk na gebruik aan. Deze kan bijzonder heet zijn en brandwonden op uw huid veroorzaken.
27. Controleer dat het werkstuk goed wordt ondersteund.
28. Wees erop bedacht dat de schijf blijft draaien nadat het gereedschap is uitgeschakeld.
29. Dit gereedschap is niet waterdicht. Gebruik dus geen water op het oppervlak van het werkstuk.
30. Zorg voor afdoende ventilatie van uw werkplek wanneer u schuurwerkzaamheden uitvoert.
31. Als dit gereedschap wordt gebruikt voor het schuren van bepaalde producten, verflagen en hout, kan de gebruiker worden blootgesteld aan stof waarin gevaarlijke bestanddelen zitten. Gebruik geschikte ademhalingsbeschermingsapparatuur.
32. Controleer altijd of het gereedschap is uitgeschakeld en de stekker uit het stopcontact is getrokken alvorens enige werk aan het gereedschap uit te voeren.
33. Als de werkruimte bijzonder heet en vochtig is, of sterk vervuild is met geleidend stof, gebruik dan een kortsluitonderbreker (30 mA) om de veiligheid van de gebruiker te garanderen.
34. Gebruik het gereedschap niet op materiaal dat asbest bevat.
35. Sommige materialen bevatten chemische stoffen die giftig kunnen zijn. Neem voorzorgsmaatregelen tegen het inademen van stof en contact met de huid. Volg de veiligheidsinstructies van de leverancier van het materiaal op.
36. Gebruik altijd het juiste stofmasker/ademhalingsapparaat voor het materiaal en de toepassing waarmee u werkt.
37. Zorg ervoor dat de ventilatie-openingen niet verstopt raken bij gebruik in een stoffige omgeving. Als het noodzakelijk is het stof te verwijderen, moet u het gereedschap eerst loskoppelen van de netvoeding (gebruik hiervoor niet-metalen voorwerpen) en wees voorzichtig geen inwendige onderdelen te beschadigen.

BEWAAR DEZE VOORSCHRIFTEN.

WAARSCHUWING:

Laat u NIET misleiden door een vals gevoel van comfort en bekendheid met het gereedschap (na veelvuldig gebruik) en neem alle veiligheidsvoorschriften van het betreffende product altijd strikt in acht. **VERKEERD GEBRUIK** of het niet naleven van de veiligheidsvoorschriften in deze gebruiksaanwijzing kan leiden tot ernstige verwondingen.

BESCHRIJVING VAN DE FUNCTIES

LET OP:

- Zorg altijd dat het gereedschap is uitgeschakeld en de stekker uit het stopcontact is verwijderd alvorens functies op het gereedschap af te stellen of te controleren.

Werking van de trekschakelaar (Fig. 1)

LET OP:

- Alvorens de machine op netstroom aan te sluiten, dient u altijd te controleren of de trekschakelaar juist werkt en bij het loslaten naar de "OFF" positie terugkeert.
- De trekschakelaar kan worden vergrendeld in de "ON" positie voor comfortabele bediening tijdens doorlopend gebruik. Wees voorzichtig wanneer u de trekschakelaar in de "ON" positie vergrendelt en houd het gereedschap stevig vast.

Om de machine te starten, drukt u gewoon de trekschakelaar in. Om de machine uit te schakelen, de trekschakelaar loslaten.

Voor continuë werking, drukt u de trekschakelaar in en dan drukt u de vastzetknop in.

Om de machine vanuit deze vergrendelde stand te stoppen, de trekschakelaar volledig indrukken en deze dan loslaten.

Toerentalregelknop (Fig. 2)

U kunt de draaisnelheid veranderen door de toerentalregelknop te draaien en in te stellen op een cijfer van 1 tot 5.

De snelheid verhoogt wanneer u de draaiknop in de richting van het cijfer 5 draait. De snelheid verlaagt wanneer u deze in de richting van het cijfer 1 draait.

Zie de onderstaande tabel voor de verhouding tussen de cijfers op de draaiknop en de approximatieve draaisnelheid.

Cijfer	RPM (/min)
1	2 500
2	2 800
3	3 500
4	4 200
5	4 700

LET OP:

- Als het gereedschap continu gedurende een lange tijd op lage snelheid wordt gebruikt, zal de motor overbelast en oververhit raken.
- De toerentalregelknop kan niet verder dan 5 en niet verder terug dan 1 worden gedraaid. Forceer de draaiknop niet voorbij 5 of 1, aangezien de toerentalregeling dan niet meer juist zal werken.

Gereedschappen die voorzien zijn van een elektronische functie zijn gemakkelijk te bedienen dank zij de volgende kenmerken.

Handhaving van een constant toerental

Elektronische toerentalregeling verzekert een constant toerental. U kunt fijn afwerken, aangezien de draaisnelheid tijdens belast draaien constant gelijk wordt gehouden.

Zachte start

De aanloopshock wordt onderdrukt zodat u veilig kunt werken en zacht kunt starten.

INEENZETTEN

LET OP:

Controleer altijd of het gereedschap is uitgeschakeld en de stekker uit het stopcontact is verwijderd voordat u enig werk aan het gereedschap uitvoert.

Installeren van de zijhandgreep (hulphandgreep) en het deksel (Fig. 3 en 4)

LET OP:

- Controleer altijd voor gebruik dat de zijhandgreep stevig vastzit.

Installeer het deksel en schroef vervolgens de zijhandgreep stevig vast op het gereedschap. De zijhandgreep en het deksel kunnen aan een van beide zijden van het gereedschap worden bevestigd.

Installeren of verwijderen van de schuurschijf (Fig. 5 en 6)

Monteer de rubberen steunschijf op de as. Monteer de schuurschijf over de rubberen steunschijf en schroef de borgmoer op de as.

Om de sluitmoer vast te draaien, houdt u met behulp van de steeksleutel de as vast zodat deze niet kan draaien, en gebruikt u vervolgens de nokkensleutel om de sluitmoer stevig rechtsom vast te draaien.

Voor de installatieprocedure in de omgekeerde volgorde uit om de schuurschijf te verwijderen.

BEDIENING

Schuren (Fig. 7)

LET OP:

- Draag tijdens het werk altijd een veiligheidsbril of een gezichtsbescherming.
- Schuur nooit met het gereedschap zonder de schuurschijf. Als u dit doet, kan de steunschijf ernstig beschadigd raken.

Houd het gereedschap stevig vast. Schakel het gereedschap in en breng daarna de schuurschijf in aanraking met het werkstuk.

In het algemeen geldt: houd de rand van de schuurschijf onder een hoek van ongeveer 15 graden op het oppervlak van het werkstuk. Oefen slechts lichte druk uit. Een te hoge druk zal leiden tot slechte prestaties en voortijdige slijtage van de schuurschijf.

ONDERHOUD

LET OP:

- Zorg altijd dat het gereedschap is uitgeschakeld en de stekker uit het stopcontact is verwijderd alvorens inspectie of onderhoud aan het gereedschap uit te voeren.

Vervangen van de koolborstels (Fig. 8 en 9)

Verwijder en controleer regelmatig de koolborstels. Vervang de koolborstels wanneer ze tot aan de limietmarkering versleten zijn. Houd de koolborstels schoon zodat ze goed in de houders glijden. Beide koolborstels dienen tegelijkertijd te worden vervangen. Gebruik uitsluitend identieke koolborstels.

Gebruik een schroevendraaier om de doppen van de koolborstelhouders te verwijderen. Haal de versleten borstels eruit, steek de nieuwe erin, en zet de doppen weer goed vast.

Om de VEILIGHEID en BETROUWBAARHEID van het gereedschap te handhaven, dienen alle reparaties, onderhoud en afstellingen te worden uitgevoerd door een erkend Makita-servicecentrum of de Makita-fabriek, en altijd met gebruikmaking van originele Makita-ervangingsonderdelen.

ACCESSOIRES

LET OP:

- Deze accessoires of hulpstukken worden aanbevolen voor gebruik met het Makita gereedschap dat in deze gebruiksaanwijzing wordt beschreven. Het gebruik van andere accessoires of hulpstukken kan gevaar voor persoonlijke verwonding opleveren. Gebruik de accessoires of hulpstukken uitsluitend voor het gespecificeerde doel.

Wenst u meer informatie over deze accessoires, neem dan contact op met het dichtstbijzijnde Makita servicecentrum.

- Rubberen steunschijf
- Schuurschijf
- Sluitmoer
- Steeksleutel 17
- Nokkensleutel 28

ENG102-3

Voor de model GV7000C

Geluidsniveau

De typisch, A-gewogen geluidsniveaus vastgesteld volgens EN60745:

- Geluidsdruk niveau (L_{pA}): 81 dB (A)
- Geluidsenergie-niveau (L_{WA}): 92 dB (A)
- Onnauwkeurigheid (K): 3 dB (A)

Draag oorbeschermers.

ENG210-4

Trilling

De totaalwaarde van de trillingen (triaxiale vectorsom) vastgesteld volgens EN60745:

- Toepassing: schuren met schijf
- Trillingsemissie ($a_{h, DS}$): 5,5 m/s²
- Onnauwkeurigheid (K): 1,5 m/s²

Als het gereedschap voor andere toepassingen wordt gebruikt, kunnen de trillingswaarden anders zijn.

ENG901-1

- De opgegeven trillingsemissiewaarde is gemeten volgens de standaardtestmethode en kan worden gebruikt om dit gereedschap te vergelijken met andere gereedschappen.
- De opgegeven trillingsemissiewaarde kan ook worden gebruikt voor een beoordeling vooraf van de blootstelling.

WAARSCHUWING:

- De trillingsemissie tijdens het gebruik van het elektrisch gereedschap in de praktijk kan verschillen van de opgegeven trillingsemissiewaarde afhankelijk van de manier waarop het gereedschap wordt gebruikt.
- Zorg ervoor dat veiligheidsmaatregelen worden getroffen ter bescherming van de operator die zijn gebaseerd op een schatting van de blootstelling onder praktijkomstandigheden (rekening houdend met alle fasen van de bedrijfscyclus, zoals de tijdsduur gedurende welke het gereedschap is uitgeschakeld en stationair draait, naast de ingeschakelde tijdsduur).

ENH101-13

Alleen voor Europese landen

EU-Verklaring van Conformiteit

Wij, Makita Corporation, als de verantwoordelijke fabrikant, verklaren dat de volgende Makita-machine(s):

Aanduiding van de machine: Elektronische schuurmachine

Modelnr./Type: GV7000C

in serie zijn geproduceerd en

Voldoen aan de volgende Europese richtlijnen:

98/37/EC tot en met 28 december 2009 en daarna aan 2006/42/EC vanaf 29 december 2009

En zijn gefabriceerd in overeenstemming met de volgende normen of genormaliseerde documenten:

EN60745

De technische documentatie wordt bewaard door onze erkende vertegenwoordiger in Europa, te weten:

Makita International Europe Ltd.

Michigan Drive, Tongwell,

Milton Keynes, MK15 8JD, Engeland

30 januari 2009



Tomoyasu Kato
Directeur

Makita Corporation
3-11-8, Sumiyoshi-cho,
Anjo, Aichi, JAPAN

Explicación de los dibujos

1 Interruptor de gatillo	6 Contratuerca	11 Llave
2 Botón de bloqueo	7 Disco abrasivo	12 Marca del límite
3 Anillo de ajuste de velocidad	8 Plato de goma	13 Tapón de escobilla
4 Cubierta	9 Eje	14 Destornillador
5 Empuñadura lateral	10 Llave de contratuerca	

ESPECIFICACIONES

Modelo	GV7000	GV7000C
Diámetro del disco abrasivo	180 mm	180 mm
Rosca del mandril	M14	M14
Velocidad en vacío (n_0) / Velocidad especificada (n).....	4.700 (min^{-1})	2.500 – 4.700 (min^{-1})
Longitud total	210 mm	210 mm
Peso neto.....	2,1 kg	2,1 kg

- Debido a un programa continuo de investigación y desarrollo, las especificaciones aquí dadas están sujetas a cambios sin previo aviso.
- Las especificaciones pueden ser diferentes de país a país.
- Peso, de acuerdo con el procedimiento EPTA 01/2003

Uso previsto


La herramienta ha sido diseñada para lijar superficies grandes de madera, plástico y materiales metálicos, así como también superficies pintadas.

Alimentación

La herramienta ha de conectarse solamente a una fuente de alimentación de la misma tensión que la indicada en la placa de características, y sólo puede funcionar con corriente alterna monofásica. El sistema de doble aislamiento de la herramienta cumple con la norma europea y puede, por lo tanto, usarse también en enchufes hembra sin conductor de tierra.

GEA010-1

Advertencias de seguridad generales para herramientas eléctricas

 **¡ADVERTENCIA!** Lea todas las advertencias de seguridad y todas las instrucciones. Si no sigue todas las advertencias e instrucciones podrá ocasionar una descarga eléctrica, un incendio y/o heridas graves.

Guardé todas las advertencias e instrucciones para futuras referencias.

ADVERTENCIAS DE SEGURIDAD PARA LA LIJADORA DE DISCO

GEB036-3

Advertencias de seguridad comunes para la operación de lijado:

1. Esta herramienta eléctrica ha sido pensada para funcionar como lijadora. Lea todas las advertencias de seguridad, instrucciones, ilustraciones y especificaciones provistas con esta herramienta eléctrica. Si no sigue todas las instrucciones indicadas a continuación, podrá ocasionar una descarga eléctrica, un incendio y/o heridas graves.
2. Se recomienda no realizar operaciones tales como de amolar, cepillar con grata de alambres, pulir o cortar con esta herramienta eléctrica. La realización de operaciones para las que esta herramienta eléctrica no ha sido diseñada podrá crear un riesgo y ocasionar heridas.

3. **No utilice accesorios que no estén específicamente diseñados y recomendados por el fabricante de la herramienta.** El simple hecho de que el accesorio pueda ser instalado en su herramienta eléctrica no garantiza una operación segura.
4. **La velocidad especificada del accesorio deberá ser por lo menos igual a la máxima velocidad marcada en la herramienta eléctrica.** Los accesorios utilizados por encima de su velocidad especificada podrán romperse y salir despedidos.
5. **El diámetro exterior y el grosor de su accesorio deberán estar dentro del rango de capacidad de su herramienta eléctrica.** Los accesorios de tamaño incorrecto no podrán ser protegidos y controlados debidamente.
6. **El tamaño del agujero para eje de las almohadillas de apoyo o cualquier otro accesorio deberá encajar debidamente en el eje de la herramienta eléctrica.** Los accesorios con agujero para eje que no coincida con el eje de montaje de la herramienta eléctrica se desequilibrarán, vibrarán excesivamente y podrán ocasionar una pérdida de control.
7. **No utilice accesorios dañados. Antes de cada utilización, inspeccione el accesorio, tal como la almohadilla de apoyo para ver si tiene grietas, rajos o desgaste excesivo. Si deja caer la herramienta eléctrica o el accesorio, inspecciónelos para ver si están dañados o instale uno que no esté dañado. Después de inspeccionar e instalar un accesorio, póngase usted y cualquier curioso alejados del plano del accesorio giratorio y haga funcionar la herramienta a la máxima velocidad sin carga durante un minuto.** Los accesorios dañados normalmente se desintegrarán durante este tiempo de prueba.
8. **Póngase equipo de protección personal. En función de la aplicación, utilice pantalla facial, gafas de protección o gafas de seguridad. Según corresponda, póngase mascarilla contra el polvo, protectores auditivos, guantes y delantal de taller que pueda detener los pequeños fragmentos que salgan despedidos de la pieza de trabajo.** La protección de los ojos deberá poder detener los desechos despedidos generados en distintas operaciones. La mascarilla contra el polvo o respirador deberá poder filtrar las partículas generadas por la operación que realice. Una exposición prolongada a ruido de alta intensidad podrá ocasionar pérdida auditiva.

9. **Mantenga a los curiosos a una distancia segura del área de trabajo. Cualquier persona que entre en el área de trabajo deberá ponerse equipo de protección personal.** Los fragmentos de la pieza de trabajo o de un accesorio roto podrán salir despedido y ocasionar heridas más allá del área de operación.
 10. **Cuando realice una operación en la que la herramienta de corte pueda entrar en contacto con cableado oculto o con su propio cable, sujete la herramienta eléctrica por las superficies de aislamiento aisladas.** El contacto con un cable con corriente hará que la corriente circule por las partes metálicas expuestas de la herramienta y podrá electrocutar al operario.
 11. **Coloque el cable de alimentación apartado del accesorio giratorio.** Si pierde el control, el cable de alimentación podrá ser cortado o enredado y su mano o brazo ser arrastrado hacia el accesorio giratorio.
 12. **No deje nunca la herramienta eléctrica hasta que el accesorio se haya detenido completamente.** El accesorio giratorio podrá agarrarse a la superficie y tirar de la herramienta eléctrica haciéndole perder el control de la misma.
 13. **No tenga en marcha la herramienta eléctrica mientras la transporta en su costado.** Un contacto accidental con el accesorio giratorio podrá enredar sus ropas, y atraer el accesorio hacia su cuerpo.
 14. **Limpie regularmente los orificios de ventilación de la herramienta eléctrica.** El ventilador del motor conducirá el polvo hacia el interior de la carcasa y una acumulación excesiva de metal en polvo podrá ocasionar peligros eléctricos.
 15. **No utilice la herramienta eléctrica cerca de materiales inflamables.** Las chispas podrán encender estos materiales.
 16. **No utilice accesorios que requieran refrigerantes líquidos.** La utilización de agua u otros refrigerantes líquidos podrá resultar en una descarga eléctrica o electrocución.
 17. **Advertencias sobre retrocesos bruscos y otros peligros relacionados**
El retroceso brusco es una reacción repentina a una almohadilla de apoyo o cualquier otro accesorio enredado. El enredo ocasiona un detenimiento rápido del accesorio giratorio que a su vez hace que la herramienta eléctrica descontrolada sea forzada en dirección opuesta a la rotación del accesorio en el punto de bloqueo. El retroceso brusco es el resultado de un mal manejo de la herramienta eléctrica y/o procedimientos o condiciones de operación incorrectos y pueden evitarse tomando las precauciones apropiadas ofrecidas a continuación.
 - a) **Mantenga agarrada firmemente la herramienta eléctrica y coloque su cuerpo y brazo de forma que le permitan resistir las fuerzas del retroceso brusco. Utilice siempre el mango auxiliar, si está provisto, para tener el máximo control sobre el retroceso brusco o reacción de torsión durante la puesta en marcha.** El operario puede controlar las reacciones de torsión o fuerzas del retroceso brusco, si toma las precauciones adecuadas.
 - b) **No ponga nunca su mano cerca del accesorio giratorio.** El accesorio podrá retroceder bruscamente sobre su mano.
 - c) **No ponga su cuerpo en el área donde vaya a desplazarse la herramienta eléctrica si ocurre un retroceso brusco.** El retroceso brusco propulsará la herramienta en dirección opuesta al movimiento del disco en el punto del enredo.
 - d) **Tenga cuidado especial cuando trabaje esquinas, bordes afilados, etc. Evite que el accesorio rebote o se enrede. Las esquinas, bordes afilados o los rebotes tienen una tendencia a enredar el accesorio giratorio y causar una pérdida de control o retroceso brusco.**
No coloque un disco de tallar madera de cadena de sierra ni un disco de sierra dentado. Tales discos crean retrocesos bruscos y pérdida de control frecuentes.
 - e) **No coloque un disco de tallar madera de cadena de sierra ni un disco de sierra dentado.** Tales discos crean retrocesos bruscos y pérdida de control frecuentes.
- Advertencias de seguridad específicas para operaciones de lijado:**
18. **No utilice discos de lijar de papel de tamaño excesivamente grandes. Siga las recomendaciones del fabricante a la hora de seleccionar papel de lijar.** Un papel de lijar más grande que sobresalga del plato de lijar presentará un peligro de laceración y puede ocasionar un enredo, desgarro del disco o un retroceso brusco.
 19. **Inspeccione la almohadilla de apoyo cuidadosamente para ver si tiene grietas, daño o deformidad antes de comenzar la operación. Reemplace inmediatamente la almohadilla si está agrietada, dañada o deformada.**
 20. **No utilice NUNCA la herramienta con discos para cortar madera u otros discos de sierra.** Tales discos, cuando se utilizan en una lijadora, saltan frecuentemente y ocasionan pérdida de control ocasionando heridas personales.
 21. **Sujete la herramienta firmemente.**
 22. **Mantenga las manos alejadas de las partes giratorias.**
 23. **Asegúrese de que el disco abrasivo no esté haciendo contacto con la pieza de trabajo antes de activar el interruptor.**
 24. **Quando lije superficies metálicas, tenga cuidado de las chispas que salen volando. Sujete la herramienta de forma que las chispas salgan volando en dirección contraria a usted y otras personas o materiales inflamables.**
 25. **No deje la herramienta en marcha. Tenga en marcha la herramienta solamente cuando la tenga en la mano.**
 26. **No toque la pieza de trabajo inmediatamente después de la operación; podría estar muy caliente y quemarle la piel.**
 27. **Compruebe que la pieza de trabajo esté debidamente apoyada.**
 28. **Tenga presente que el disco continuará girando después de haber apagado la herramienta.**
 29. **Esta herramienta no es a prueba de agua, por lo que no deberá utilizar agua en la superficie de trabajo.**
 30. **Ventile debidamente su área de trabajo cuando realice operaciones de lijado.**

31. La utilización de esta herramienta para lijar algunos productos, pinturas y madera podrá exponer al usuario a polvo que contenga sustancias peligrosas. Utilice protección respiratoria apropiada.
32. Asegúrese siempre de que la herramienta esté apagada y desenchufada antes de realizar cualquier trabajo en ella.
33. Si el lugar de trabajo es muy caluroso y húmedo, o si está muy contaminado con polvo conductor, utilice un disyuntor (30 mA) para garantizar la seguridad del operario.
34. No utilice la herramienta con ningún material que contenga asbestos.
35. Algunos materiales contienen sustancias químicas que podrán ser tóxicas. Tenga precaución para evitar la inhalación de polvo y el contacto con la piel. Siga los datos de seguridad del abastecedor del material.
36. Utilice siempre la mascarilla contra el polvo o el respirador correcto para el material con que esté trabajando y la aplicación que realice.
37. Asegúrese de que las aberturas de ventilación se mantengan despejadas cuando trabaje en condiciones polvorientas. Si fuera necesario quitar el polvo, primero desconecte la herramienta de la toma de corriente, luego limpie (utilice objetos no metálicos) evitando dañar las partes internas.

GUARDE ESTAS INSTRUCCIONES.

ADVERTENCIA:

NO deje que la comodidad o familiaridad con el producto (a base de utilizarlo repetidamente) sustituya la estricta observancia de las normas de seguridad para el producto en cuestión. El MAL USO o el no seguir las normas de seguridad establecidas en este manual de instrucciones podrá ocasionar graves heridas personales.

DESCRIPCIÓN FUNCIONAL

PRECAUCIÓN:

- Asegúrese siempre de que la herramienta esté apagada y desenchufada antes de ajustar o comprobar cualquier función de la herramienta.

Accionamiento del interruptor (Fig. 1)

PRECAUCIÓN:

- Antes de enchufar la herramienta, compruebe siempre que el interruptor de gatillo se acciona correctamente y regresa a la posición "OFF" cuando se libera.
- El interruptor puede ser bloqueado en la posición "ON" para mayor comodidad del operario durante una utilización prolongada. Tenga precaución cuando bloquee la herramienta en la posición "ON" y mantenga la herramienta firmemente empuñada.

Para encender la herramienta, simplemente presione el interruptor de gatillo. Suelte el interruptor de gatillo para apagar la herramienta.

Para una operación continua, presione el interruptor de gatillo y luego empuje el botón de bloqueo.

Para parar la herramienta cuando funciona en la posición de bloqueo, presione el interruptor de gatillo completamente y suéltelo.

Dial de ajuste de velocidad (Fig. 2)

La velocidad de herramienta puede cambiarse girando el dial de ajuste de velocidad hasta un número de ajuste dado de 1 a 5.

Girando el dial en dirección del número 5 se obtiene una velocidad más alta. Y girándolo hacia el número 1 se obtiene una velocidad más baja.

Consulte la siguiente tabla para ver la relación existente entre los números de ajuste del dial y la velocidad de herramienta aproximada.

Número	RPM (/min)
1	2.500
2	2.800
3	3.500
4	4.200
5	4.700

PRECAUCIÓN:

- Si la herramienta funciona continuamente a baja velocidad durante largo tiempo, el motor se sobrecargará y recalentará.
- El dial de ajuste de velocidad sólo puede ser girado hasta 5 y retornar hasta 1. No lo fuerce a pasar del 5 o del 1, porque estropeará la función de ajuste de velocidad y no se podrá volver a utilizar.

Las herramientas equipadas con funciones electrónicas son fáciles de manejar gracias a las siguientes características.

Control de velocidad constante

Control de velocidad electrónico para obtener una velocidad constante. Como la velocidad de rotación se mantiene constante aun en condiciones de carga, se puede lograr un acabado fino.

Inicio progresivo

Seguridad e inicio progresivo gracias a la supresión del choque de inicio.

MONTAJE

PRECAUCIÓN:

- Asegúrese siempre de que la herramienta esté apagada y desenchufada antes de realizar cualquier trabajo en la herramienta.

Instalación de la empuñadura lateral (mango auxiliar) y la cubierta (Fig. 3 y 4)

PRECAUCIÓN:

- Antes de la operación, asegúrese siempre de que la empuñadura lateral está instalada firmemente.

Instale la cubierta, y a continuación rosque la empuñadura lateral en la herramienta firmemente. La empuñadura lateral y la cubierta pueden instalarse en cualquiera de los lados de la herramienta.

Instalación sntaje o desmontaje del disco abrasivo (Fig. 5 y 6)

Monte el plato de goma en el eje. Ponga el disco abrasivo en el plato de goma y rosque la contratuerca en el eje.

Para apretar la contratuerca, sujete el eje con la llave para que no pueda girar, después apriete firmemente hacia la derecha utilizando la llave de contratuerca.

Para desmontar el disco abrasivo, siga el procedimiento de instalación a la inversa.

OPERACIÓN

Para lijar (Fig. 7)

PRECAUCIÓN:

- Póngase siempre gafas de seguridad o máscara facial durante la tarea.
- No utilice nunca la herramienta sin el disco abrasivo. Podrá dañar seriamente el plato.

Sujete la herramienta firmemente. Encienda la herramienta y después aplique el disco abrasivo a la pieza de trabajo.

En general, mantenga el disco abrasivo a un ángulo de unos 15 grados con la superficie de la pieza de trabajo. Aplique una ligera presión solamente. Una presión excesiva resultará en un rendimiento deficiente y en un desgaste prematuro del disco abrasivo.

MANTENIMIENTO

PRECAUCIÓN:

- Asegúrese siempre de que la herramienta esté apagada y desenchufada antes de intentar realizar una inspección o mantenimiento.

Reemplazo de las escobillas de carbón (Fig. 8 y 9)

Extraiga e inspeccione las escobillas de carbón regularmente. Reemplácelas cuando se hayan desgastado hasta la marca límite. Mantenga las escobillas de carbón limpias de forma que entren libremente en los portaescobillas. Deberán reemplazarse ambas escobillas de carbón al mismo tiempo. Utilice únicamente escobillas de carbón idénticas.

Utilice un destornillador para quitar los tapones portaescobillas. Extraiga las escobillas desgastadas, inserte las nuevas y vuelva a colocar los tapones portaescobillas.

Para mantener la SEGURIDAD y FIABILIDAD del producto, las reparaciones, cualquier otro mantenimiento o ajuste deberán ser realizados en Centros Autorizados o Servicio de Fábrica de Makita, empleando siempre repuestos Makita.

ACCESORIOS

PRECAUCIÓN:

- Estos accesorios o acoplamientos están recomendados para utilizar con la herramienta Makita especificada en este manual. El empleo de otros accesorios o acoplamientos conllevará un riesgo de sufrir heridas personales. Utilice los accesorios o acoplamientos solamente para su fin establecido.

Si necesita cualquier ayuda para más detalles en relación con estos accesorios, pregunte al centro de servicio Makita local.

- Plato de goma
- Disco abrasivo
- Contratuerca
- Llave 17
- Llave de contratuerca 28

ENG102-3

Para le modelo GV7000C

Ruido

El nivel de ruido A-ponderado típico determinado de acuerdo con la norma EN60745:

Nivel de presión sonora (L_{pA}): 81 dB (A)

Nivel de potencia sonora (L_{WA}): 92 dB (A)

Error (K): 3 dB (A)

Póngase protectores en los oídos.

ENG210-4

Vibración

El valor total de la vibración (suma de vectores triaxiales) determinado de acuerdo con la norma EN60745:

Modo tarea: lijado con disco

Emisión de vibración ($a_{h, DS}$): 5,5 m/s²

Error (K): 1,5 m/s²

Si la herramienta se utiliza para otras aplicaciones, es posible que los valores de vibración sean diferentes.

ENG901-1

- El valor de emisión de vibración declarado ha sido medido de acuerdo con el método de prueba estándar y se puede utilizar para comparar una herramienta con otra.
- El valor de emisión de vibración declarado también se puede utilizar en una valoración preliminar de exposición.

ADVERTENCIA:

- La emisión de vibración durante la utilización real de la herramienta eléctrica puede variar del valor de emisión declarado dependiendo de las formas en las que la herramienta sea utilizada.
- Asegúrese de identificar medidas de seguridad para proteger al operario que estén basadas en una estimación de la exposición en las condiciones reales de utilización (teniendo en cuenta todas las partes del ciclo operativo tal como las veces cuando la herramienta está apagada y cuando está funcionando en vacío además del tiempo de gatillo).

Para países europeos solamente

Declaración de conformidad CE

Makita Corporation como fabricante responsable declara que la(s) siguiente(s) máquina(s) de Makita:

Designación de máquina: Lijadora de disco

Modelo N°/Tipo: GV7000C

son producidas en serie y

Cumplen con las directivas europeas siguientes:

98/37/EC hasta el 28 de diciembre de 2009 y después

con 2006/42/EC desde el 29 de diciembre de 2009

Y que están fabricadas de acuerdo con las normas o documentos normalizados siguientes:

EN60745

Los documentos técnicos los guarda nuestro representante autorizado en Europa cuya persona es:

Makita International Europe Ltd.

Michigan Drive, Tongwell,

Milton Keynes, MK15 8JD, Inglaterra

30 de enero de 2009



Tomoyasu Kato
Director

Makita Corporation
3-11-8, Sumiyoshi-cho,
Anjo, Aichi, JAPAN

Explicação geral

1 Gatilho do interruptor	6 Contraporca	12 Marca limite
2 Botão de bloqueio	7 Disco abrasivo	13 Tampa do porta-escovas
3 Marcador de regulação da velocidade	8 Disco de borracha	14 Chave de fendas
4 Cobertura	9 Eixo	
5 Punho lateral	10 Chave de contraporca	
	11 Chave	

ESPECIFICAÇÕES

Modelo	GV7000	GV7000C
Diâmetro do disco abrasivo.....	180 mm	180 mm
Rosca do eixo	M14	M14
Velocidade em vazio (n_0) / Velocidade nominal (n).....	4.700 (min^{-1})	2.500 – 4.700 (min^{-1})
Comprimento total.....	210 mm	10 mm
Peso líquido.....	2,1 kg	2,1 kg

- Devido a um programa contínuo de pesquisa e desenvolvimento, estas especificações podem ser alteradas sem aviso prévio.
- As especificações podem variar de país para país.
- Peso de acordo com o Procedimento 01/2003 da EPTA (European Power Tool Association)

Utilização pretendida

A ferramenta foi concebida para lixamento de grandes superfícies de madeira, plásticos e materiais de metal assim como superfícies pintadas.

Alimentação

A ferramenta só deve ser ligada a uma fonte de alimentação com a mesma voltagem da indicada na placa de características, e só funciona com alimentação corrente alterna monofásica. Tem um sistema de isolamento duplo de acordo com as normas europeias e pode, por isso, utilizar tomadas sem ligação à terra.

GEA010-1

Avisos gerais de segurança para ferramentas eléctricas

⚠ AVISO! Leia todos os avisos de segurança e todas as instruções. O não cumprimento de todos os avisos e instruções pode originar choque eléctrico, incêndio e/ou ferimentos graves.

Guarde todos os avisos e instruções para futuras referências.

AVISOS DE SEGURANÇA PARA A LIXADORA DE DISCO

GEA036-3

Advertências de segurança gerais para lixamento

1. Esta ferramenta eléctrica tem por finalidade funcionar como uma lixadeira. Leia os avisos de segurança, instruções, ilustrações e especificações fornecidas com a ferramenta. O não seguimento de todas as instruções que se seguem poderá resultar em choque eléctrico, incêndio e/ou graves ferimentos.
2. Operações como esmerilhamento, limpeza com escova metálica, polimento ou serragem não são recomendadas com esta ferramenta eléctrica. Operações diferentes daquelas para as quais a ferramenta foi projectada podem criar situações perigosas e causar ferimentos ao operador.

3. **Não utilize acessórios que não sejam especificamente projectados e recomendados pelo fabricante.** O fato de poder instalar o acessório na ferramenta eléctrica não garante um funcionamento com segurança.
4. **A velocidade nominal do acessório deve ser pelo menos igual à velocidade máxima indicada na ferramenta.** Os acessórios que funcionam em velocidade mais alta do que a velocidade nominal podem quebrar e se estilhaçar.
5. **O diâmetro externo e a espessura do acessório devem estar dentro da capacidade nominal da ferramenta eléctrica.** Não é possível proteger ou controlar adequadamente os acessórios de tamanho incorrecto.
6. **O tamanho da haste da base protectora ou qualquer outro acessório deve encaixar devidamente no eixo da ferramenta.** Acessórios com orifícios de haste que não correspondem com o hardware de instalação da ferramenta eléctrica ficam desbalanceados, vibram excessivamente e podem causar a perda de controlo.
7. **Não utilize acessórios danificados.** Antes de utilizar, inspeccione o acessório como a base protectora para ver se há trincos, rasgos ou desgaste demasiado. Se a ferramenta ou acessório cair, verifique se há danos e, em caso positivo, instale um acessório em boas condições. Após inspeccionar ou instalar um acessório, certifique-se de que os espectadores bem como você mesmo estejam afastados do acessório rotativo, e funcione a ferramenta em velocidade máxima em vazio por um minuto. Os acessórios danificados geralmente se quebram durante esta prova.
8. **Utilize equipamento de protecção pessoal. Utilize um protector facial, óculos de segurança ou protectores oculares, conforme a aplicação. Utilize uma máscara contra pó, protectores auriculares, luvas e avental capazes de resguardar contra estilhaços pequenos da peça de trabalho.** Os protectores oculares devem ter capacidade de resguardar contra fragmentos gerados por diversas operações. A máscara contra pó ou de respiração deve ter capacidade de filtrar partículas geradas pela operação com a lixadeira. A exposição prolongada a ruídos de alta intensidade pode causar a perda de audição.

9. **Mantenha os espectadores a uma distância segura da área de trabalho. Todas as pessoas que entram na área de trabalho devem utilizar equipamento de protecção pessoal.** Estilhaços da peça de trabalho ou um acessório quebrado podem ser atirados e causar ferimentos além da área imediata de operação.
 10. **Segure a ferramenta pelas partes isoladas ao executar uma operação onde a ferramenta de corte possa tocar em fios ocultos ou no seu próprio fio.** O contacto com um fio "ligado" carregará as partes metálicas da ferramenta e causará choque eléctrico no operador.
 11. **Coloque o fio afastado do acessório rotativo.** Se perder o controlo, o fio pode ser cortado ou ficar preso e sua mão ou braço pode ser puxado para o acessório em rotação.
 12. **Nunca pouse a ferramenta eléctrica antes que o acessório tenha parado completamente.** O acessório rotativo pode engancha na superfície e descontrolar a ferramenta.
 13. **Não funcione a ferramenta eléctrica enquanto a carga ao seu lado.** O contacto accidental com o acessório rotativo pode prender as roupas, puxando o acessório na direcção do seu corpo.
 14. **Limpe os orifícios de ventilação da ferramenta eléctrica regularmente.** A ventoinha do motor aspira o pó dentro da caixa e a acumulação excessiva de metal pulverizado pode causar choque eléctrico.
 15. **Não funcione a ferramenta eléctrica próximo de materiais inflamáveis.** Asagulhas podem incendiar esses materiais.
 16. **Não utilize acessórios que requerem refrigerantes líquidos.** A utilização de água ou outros refrigerantes líquidos pode resultar em choque ou eletrocussão.
 17. **Advertências sobre contragolpes**
O contragolpe é uma reacção repentina a um acessório ou base protectora presa. O bloqueio causa a parada imediata do acessório rotativo que, por sua vez, causa o impulso da ferramenta descontrolada na direcção oposta à da rotação do acessório, no ponto onde foi preso. O contragolpe é o resultado de utilização imprópria da ferramenta eléctrica e/ou condições ou procedimentos incorrectos para o funcionamento e pode ser evitado tomando-se as medidas de precaução relacionadas abaixo.
 - a) **Segure firme a ferramenta eléctrica e posicione-se de tal forma que o seu corpo e braço permitam-lhe resistir à força do contragolpe. Utilize sempre o punho auxiliar, se fornecido, para controlo máximo sobre o contragolpe ou reacção do torque durante a partida.** O operador poderá controlar as reacções do torque ou as forças do contragolpe se tomar as precauções necessárias.
 - b) **Nunca coloque as mãos perto do acessório rotativo.** O acessório pode recuar sobre a sua mão.
 - c) **Posicione-se de forma a ficar afastado da área onde a ferramenta será lançada no caso de um contragolpe.** O contragolpe lança a ferramenta na direcção oposta ao movimento do disco no ponto onde prende.
 - d) **Tenha cuidado especialmente ao trabalhar em cantos, arestas cortantes, etc. Evite bater com a ferramenta e prender o acessório.** Os cantos, arestas cortantes ou as batidas com a ferramenta tendem a prender o acessório rotativo e causar perda de controlo ou contragolpe.
 - e) **Não instale uma lâmina para esculpir de moto-serra nem uma lâmina de serra dentada.** Essas lâminas criam contragolpes frequentes e perda de controlo.
- Advertências de segurança específicas para lixamento:**
18. **Não utilize uma lixa grande demais. Siga as recomendações do fabricante ao escolher a lixa.** Lixas grandes, que se estendem além da base de lixamento apresentam perigo de ferimentos e podem prender ou rasgar o disco ou ainda causar contragolpe.
 19. **Antes de utilizar a ferramenta, verifique cuidadosamente se a base protectora não está trincada, danificada ou deformada. Troque uma base trincada, danificada ou deformada imediatamente.**
 20. **NUNCA utilize a ferramenta com lâminas de cortar madeira e outras serras. A utilização dessas lâminas na lixadeira frequentemente causa contragolpe e perda de controlo, resultando em ferimentos pessoais.**
 21. **Segure a ferramenta com firmeza.**
 22. **Mantenha as mãos afastadas das peças rotativas.**
 23. **Antes de ligar a ferramenta, certifique-se de que o disco abrasivo não faz contacto com a peça de trabalho.**
 24. **Ao lixar superfícies de metal, tenha cuidado com asagulhas. Segure a ferramenta de forma que asagulhas voem longe de si e outras pessoas ou de materiais inflamáveis**
 25. **Não deixe a ferramenta a funcionar sozinha. Funcione a ferramenta somente quando estiver segurando-a.**
 26. **Não toque na peça de trabalho imediatamente após a operação; ela poderá estar muito quente e causar queimaduras.**
 27. **Verifique se a peça de trabalho está devidamente apoiada.**
 28. **Tenha cuidado, pois o disco continua girando após desligar a ferramenta.**
 29. **Dado que esta ferramenta não é à prova d'água, não utilize água na superfície da peça de trabalho.**
 30. **Ventile a área de trabalho adequadamente quando lixando.**
 31. **A utilização desta ferramenta para lixar certos produtos, pinturas e madeiras pode expor o utilizador a pó que contém substâncias nocivas. Utilize equipamentos adequados de protecção de respiração.**
 32. **Certifique-se sempre de que a ferramenta esteja desligada e a ficha desligada da tomada antes de executar qualquer trabalho de manutenção na mesma.**
 33. **Se o local de trabalho for quente ou húmido demais, ou tiver muito pó conductivo, utilize um disjuntor de curto-circuito (30 mA) para garantir a segurança do operador.**
 34. **Não utilize a ferramenta em materiais contendo asbesto.**

35. Alguns materiais contêm produtos químicos que podem ser tóxicos. Tenha cuidado para evitar a inalação do pó e o contacto com a pele. Siga as instruções de segurança do fabricante do material.
36. Utilize sempre a máscara de pó/respiração adequada para o material e aplicação com que estiver a trabalhar.
37. Se estiver a trabalhar em locais com muito pó, verifique se as aberturas de ventilação estão limpas e desobstruídas. Se for necessário limpar o pó, desligue primeiro a ferramenta da tomada de corrente (utilize objectos não metálicos) e tenha cuidado para não danificar as peças internas.

GUARDE ESTAS INSTRUÇÕES.

AVISO:

NÃO permita que o conforto ou a familiaridade com o produto (adquirido com a utilização repetida) substitua a aderência estrita às regras de segurança da ferramenta. **MÁ INTERPRETAÇÃO** ou não seguimento das regras de segurança estabelecidas neste manual de instruções pode causar danos pessoais sérios.

DESCRIÇÃO FUNCIONAL

PRECAUÇÃO:

- Certifique-se de que a ferramenta está desligada e a ficha retirada da tomada antes de regular ou verificar qualquer função na ferramenta.

Interruptor (Fig. 1)

PRECAUÇÃO:

- Antes de ligar a ferramenta à corrente, certifique-se de que o gatilho do interruptor funciona correctamente e volta para a posição "OFF" quando desligado.
- O interruptor pode ser bloqueado na posição "ON" para conforto do operador durante a utilização prolongada. Tenha cuidado quando bloquear a ferramenta na posição "ON" e segure-a com firmeza.

Para ligar a ferramenta carregue simplesmente no gatilho do interruptor. Liberte o gatilho do interruptor para parar.

Para operação contínua, carregue no gatilho do interruptor e em seguida empurre o botão de bloqueio.

Para parar a ferramenta a partir da posição de bloqueio, carregue completamente no gatilho do interruptor e liberte-o em seguida.

Marcador de regulação da velocidade (Fig. 2)

A velocidade de ferramenta pode ser alterada rodando o marcador de regulação da velocidade para dado número de ajuste de 1 a 5.

Obtém maior velocidade quando o marcador está voltado para a direcção do número 5. Obtém velocidade inferior quando está voltado para a direcção do número 1.

Refira-se à tabela abaixo para a relação entre o número do ajuste no marcador e a velocidade de ferramenta aproximada.

Número	RPM (/min)
1	2.500
2	2.800
3	3.500
4	4.200
5	4.700

PRECAUÇÃO:

- Se operar a ferramenta em velocidade baixa continuamente por um longo período de tempo, ocorrerá a sobrecarga e o superaquecimento do motor.
- O marcador de regulação da velocidade só pode ser rodado até ao 5 e até ao 1. Não force para passar o 5 ou o 1 pois pode estragar a função de regulação da velocidade.

As ferramentas equipadas com função electrónica são fáceis de utilizar devido às seguintes características.

Controlo da velocidade constante

Controlo electrónico da velocidade para obter velocidade constante. É possível obter acabamentos perfeitos pois a velocidade de rotação é mantida constante mesmo sob condição de carga.

Característica de início suave

Segurança e início suave devido à supressão do choque inicial.

ASSEMBLAGEM

PRECAUÇÃO:

- Certifique-se sempre de que a ferramenta está desligada e a ficha retirada da tomada antes de executar qualquer manutenção na ferramenta.

Colocação do punho lateral (pega auxiliar) e cobertura (Fig. 3 e 4)

PRECAUÇÃO:

- Certifique-se sempre de que o punho lateral esteja instalado seguramente antes de utilizar a ferramenta.

Coloque a cobertura e em seguida aparafuse o punho lateral seguramente. O punho lateral e a cobertura podem ser colocados em qualquer dos lados da ferramenta.

Colocar ou retirar o disco abrasivo (Fig. 5 e 6)

Monte o disco de borracha no eixo. Encaixe o disco abrasivo sobre o disco de borracha e aparafuse a contraporca no eixo.

Para apertar a contraporca, prenda o eixo com uma chave de forma que mesmo não rode e use a chave de contraporca para apertar bem, rodando para a direita.

Para retirar o disco abrasivo, execute inversamente o procedimento de colocação.

OPERAÇÃO

Operação de lixamento (Fig. 7)

PRECAUÇÃO:

- Utilize sempre óculos de segurança ou uma máscara durante a operação.
- Nunca utilize a ferramenta sem o disco abrasivo. Pode estragar seriamente a almofada.

Segure a ferramenta com firmeza. Ligue-a e aplique o disco abrasivo na peça de trabalho.

Normalmente, mantenha o disco abrasivo em um ângulo de mais ou menos 15 graus em relação à superfície da peça de trabalho. Aplique apenas uma pressão leve. Pressão excessiva resulta em desempenho inferior e desgaste prematuro do disco abrasivo.

MANUTENÇÃO

PRECAUÇÃO:

- Certifique-se sempre de que a ferramenta está desligada e a ficha retirada da tomada antes de executar qualquer inspeção ou manutenção.

Substituição das escovas de carvão (Fig. 8 e 9)

Retire e inspecione as escovas de carvão regularmente. Substitua-as quando estiverem gastas até à marca limite. Mantenha as escovas de carvão limpas e a deslizarem livremente nos suportes. As duas escovas de carvão devem ser substituídas ao mesmo tempo. Utilize só escovas de carvão idênticas.

Utilize uma chave de parafusos para retirar as tampas do porta escovas. Tire as escovas gastas, coloque as novas e prenda as tampas do porta escovas.

Para manter a SEGURANÇA e a CONFIABILIDADE do produto, os reparos, manutenção ou ajustes deverão ser realizados por centros de assistência técnica autorizada Makita, sempre utilizando peças de reposição originais Makita.

ACESSÓRIOS

PRECAUÇÃO:

- Estes acessórios ou acoplamentos são os recomendados para uso na ferramenta MAKITA especificada neste manual. A utilização de qualquer outro acessório ou acoplamento poderá ser perigosa para o operador. Os acessórios ou acoplamentos devem ser utilizados de maneira adequada e apenas para os fins a que se destinam.

No caso de necessitar ajuda para mais detalhes sobre estes acessórios, consulte ao departamento de assistência local da Makita.

- Disco de borracha
- Disco abrasivo
- Contraporca
- Chave 17
- Chave de contraporca 28

ENG102-3

Para Modelo GV7000C

Ruído

A característica do nível de ruído A determinado de acordo com EN60745:

Nível de pressão de som (L_{pA}): 81 dB (A)

Nível do som (L_{WA}): 92 dB (A)

Variabilidade (K): 3 dB (A)

Utilize protectores para os ouvidos.

ENG210-4

Vibração

Valor total da vibração (soma vectorial tri-axial) determinado conforme EN60745:

Modo de funcionamento: lixamento

Emissão de vibração ($a_{h, DS}$): 5,5 m/s²

Variabilidade (K): 1,5 m/s²

Se a ferramenta for utilizada para outros fins, os valores do nível de vibração podem ser diferentes.

ENG901-1

- O valor da emissão de vibração indicado foi medido de acordo com o método de teste padrão e pode ser utilizado para comparar duas ferramentas.
- O valor da emissão de vibração indicado pode também ser utilizado na avaliação preliminar da exposição.

AVISO:

- A emissão de vibração durante a utilização real da ferramenta eléctrica pode diferir do valor de emissão indicado, dependendo das formas como a ferramenta é utilizada.
- Certifique-se de identificar as medidas de segurança para protecção do operador que sejam baseadas em uma estimativa de exposição em condições reais de utilização (considerando todas as partes do ciclo de operação, tal como quando a ferramenta está desligada e quando está a funcionar em marcha lenta além do tempo de accionamento).

Só para países Europeus

Declaração de conformidade CE

Nós, a Makita Corporation, fabricante responsável, declaramos que a(s) seguinte(s) ferramenta(s) Makita:

Designação da ferramenta: Lixadora de disco electrónica
Modelos nº/Tipo: GV7000C
são de produção de série e

Em conformidade com as seguintes directivas europeias:

98/37/EC até 28 de dezembro de 2009 e 2006/42/EC a partir de 29 de dezembro 2009

E estão fabricados de acordo com as seguintes normas ou documentos normativos:

EN60745

A documentação técnica é mantida pelo nosso representante autorizado na Europa:

Makita International Europe Ltd.
Michigan Drive, Tongwell,
Milton Keynes, MK15 8JD, Inglaterra

30 de janeiro de 2009



Tomoyasu Kato
Director

Makita Corporation
3-11-8, Sumiyoshi-cho,
Anjo, Aichi, JAPAN

Illustrationsoversigt

1 Afbryderkontakt	6 Sikringsmøtrik	11 Gaffelnøgle
2 Låseknop	7 Sandpapirsskive	12 Slidmarkering
3 Hastighedsvælgerknop	8 Gummibagskive	13 Børsteholderhætte
4 Afskærmning	9 Spindel	14 Skruetrækker
5 Sidegreb	10 Tapnøgle	

SPECIFIKATIONER

Model	GV7000	GV7000C
Diameter på sandpapirskive.....	180 mm	180 mm
Spindelgevind	M14	M14
Omdrejninger (n ₀) / Nominelle hastighed (n).....	4 700 (min ⁻¹)	2 500 – 4 700 (min ⁻¹)
Længde	210 mm	210 mm
Vægt.....	2,1 kg	2,1 kg

- Ret til tekniske ændringer forbeholdes.
- Specifikationer data kan variere fra land til land.
- Vægt i henhold til EPTA-Procedure 01/2003

Tilslaget anvendelse

Denne maskine beregnet til slibning af større flader af træ, plast- og metalmaterialer samt malede overflader.

Netsspænding

Maskinen må kun tilsluttes den netspænding, der er angivet på typeskiltet. Maskinen arbejder på enkeltfasede vekselspænding og er dobbeltisoleret iht. de europæiske normer og må derfor tilsluttes en stikkontakt uden jordtilslutning.

GEA010-1

Almindelige sikkerhedsregler for el-værktøj

⚠ ADVARSEL! Læs alle sikkerhedsadvarsler og alle sikkerhedsinstruktioner. Hvis nedenstående advarsler og instruktioner ikke overholdes, kan resultatet blive elektrisk stød, brand og/eller alvorlig personskade.

Gem alle advarsler og instruktioner til fremtidig reference.

SIKKERHEDSADVARSLER FOR VINKELSLIBER

GEB036-3

Almindelige sikkerhedsregler for pudsning:

- 1. Denne maskine er en polermaskine. Læs alle de sikkerhedsadvarsler, instruktioner, illustrationer og specifikationer, som følger med denne maskine.** Forsømmelse af at følge alle instruktionerne herunder kan resultere i elektrisk stød, brand og/eller alvorlig tilskadekomst.
- 2. Anvendelse til arbejde, som maskinen ikke er beregnet til, kan være årsag til farlige situationer og personskade.** Anvendelse, som maskinen ikke er beregnet til, kan være farligt og føre til personskade.
- 3. Anvend ikke tilbehør, som ikke er specifikt lavet og anbefalet af maskinens fabrikant.** Den omstændighed, at tilbehøret kan monteres på din maskine, er ingen garanti for, at anvendelsen bliver sikkerhedsmæssig forsvarlig.
- 4. Tilbehøret skal være beregnet til mindst den nominelle hastighed, som er anført på maskinen.** Tilbehør, som kører med en større hastighed end den, som tilbehøret er beregnet til, kan brække og slynges af.

- 5. Tilbehørets ydre diameter og tykkelse skal være inden for din maskines kapacitet.** Tilbehør med en forkeret størrelse kan ikke beskyttes eller styres tilstrækkeligt.
- 6. Dornstørrelsen på bagskiverne eller andet tilbehør skal passe nøjagtigt til spindelen på maskinen.** Tilbehør med dornhuller, som ikke passer til maskinens monteringsdele, vil miste balancen, vibrere ekstremt og kan føre til tab af kontrol.
- 7. Anvend ikke beskadiget tilbehør. Inspicer tilbehøret før hver brug, som for eksempel bagskiven, for revner, slitage eller nedslidning.** Hvis maskinen eller tilbehøret tabes, skal de efterses for skade, eller en ubeskadiget tilbehørsdel skal monteres. Efter inspektion og montering af tilbehør, skal De og omkringstående stå på god afstand af det roterende tilbehørs høvl, og maskinen skal køres på højeste, ubelastede hastighed i et minut. Beskadiget tilbehør vil normalt brække under prøvetiden.
- 8. Bør altid personligt beskyttelsesudstyr. Afhængigt af arbejdets art, skal der anvendes ansigtsmaske, beskyttelsesbriller eller sikkerhedsbriller. Bør støvmaske, høreværn, handsker og forklæde, som er i stand til at stoppe mindre stykker af arbejdsnemnet.** Øjenbeskyttelsen skal kunne stoppe afslyngede stykker, som er frembragt af forskelligt arbejde. Støvmaske og respirator skal kunne stoppe filteringspartikler, som er frembragt af arbejdet. Længere tids udsættelse for støj af høj intensitet kan føre til høretab.
- 9. Hold tilskuere på god afstand af arbejdsområdet. Enhver person, som befinder sig i arbejdsområdet, skal bære personligt beskyttelsesudstyr.** Fragmenter fra arbejdsnemner eller fra brækket tilbehør kan blive slynget af og være årsag til tilskadekomst, også uden for det umiddelbare arbejdsområde.
- 10. Hold kun maskinen i de isolerede håndtagsflader, når der udføres et arbejde, hvor det skærende tilbehør kan komme i berøring med skjulte ledninger eller dets egen ledning.** Skærende tilbehør, som kommer i berøring med en strømførende ledning, kan bevirke, at udsatte metaldele af maskinen bliver ledende, hvorved operatøren kan få stød.

11. **Anbring altid ledningen, så den ikke kommer i kontakt med drejende tilbehør.** Hvis De mister herredømmet over maskinen, kan ledningen blive skåret over, og Deres hånd eller arm kan komme i kontakt med det roterende tilbehør.
12. **Læg aldrig maskinen fra Dem, før tilbehøret er stoppet fuldstændigt.** Det roterende tilbehør kan gribe fat i overfladen, hvilket kan bevirke, at De mister herredømmet over maskinen.
13. **Lad ikke maskinen køre, mens De bærer den ved siden.** Utilsigtet kontakt med det roterende tilbehør kan gribe fat i tøjet og derved trække tilbehøret ind mod kroppen.
14. **Rengør maskinens ventilationsåbninger med jævne mellemrum.** Motorens vifte vil trække støv ind i huset, og en kraftig ophobning af metalstøv kan skabe elektrisk fare.
15. **Anvend ikke maskinen i nærheden af brændbare materialer.** Disse materialer kan blive antændt af gnister.
16. **Anvend ikke tilbehør, der kræver kølevæske.** Anvendelse af vand eller anden kølevæske kan resultere i dødelige stød eller elektriske stød.
17. **Tilbageslag og relaterede advarsler**
Tilbageslag er en pludselig reaktion på en blokeret, roterende bagskive eller andet tilbehør. Blokering forårsager hurtigt standsning af det roterende tilbehør, som derved bliver årsag til, at den ukontrollerede maskine bliver tvunget i den modsatte retning på tidspunktet for bindingen. Tilbageslag er resultatet af misbrug af maskinen og/eller fejlagtig anvendelse eller forkerte brugforhold og kan undgås ved at man tager de rigtige forholdsregler som vist herunder.
 - a) **Hold godt fast i maskinen og hold kroppen og armen således, at De kan modvirke tilbageslagskraften.** Anvend altid hjælpehåndtaget, hvis et sådant medfølger, til at opnå maksimal kontrol af tilbageslag og drejningsmoment under starten. Operatøren kan kontrollere drejningsmomentreaktion eller tilbageslagskraft, hvis de rigtige forholdsregler tages.
 - b) **Anbring aldrig hænderne i nærheden af roterende tilbehør.** De risikerer at få hånden ind i tilbageslagets bane.
 - c) **Stil Dem ikke i det område, hvor maskinen vil bevæge sig, hvis er opstår tilbageslag.** Tilbageslag vil slynge maskinen i den modsatte retning af hjulets omdrejning på blokeringstidspunktet.
 - d) **Vær særlig omhyggelig, når De arbejder på hjørner, skarpe kanter etc. Undgå at bumpe eller blokere tilbehøret.** Hjørner, skarpe kanter eller bumpen har tendens til at blokere det roterende tilbehør og forårsage tab af kontrol eller tilbageslag.
 - e) **Monter ikke en kædesavs træskæreklinge eller en savklinge med tænder.** Sådanne klinger giver hyppige tilbageslag og tab af kontrol.
19. **Kontroller bagskiven omhyggeligt for revner, beskadigelse eller deformerede steder før anvendelse.** Udskift øjeblikkeligt en revnet, beskadiget eller deformeret skive.
20. **Anvend ALDRIG maskinen med træskæreklinger eller andre savklinger.** Sådanne klinger er hyp-pigt årsag til tilbageslag, hvis de anvendes på en polermaskine, og kan medføre tab af kontrol, hvilket kan føre til personskade.
21. **Hold godt fast på maskinen.**
22. **Hold hænderne væk fra de roterende dele.**
23. **Sørg for, at slibeskiven ikke er i kontakt med arbejdsområdet, før der tændes med afbryderen.**
24. **Når der pudses metaloverflader med sandpapir, skal De være opmærksom på flyvende gnister.** Hold maskinen, så gnisterne flyver væk fra Dem selv og andre personer eller brandbare materialer.
25. **Læg ikke maskinen fra Dem, mens den stadig kører.** Anvend kun maskinen som håndværktøj.
26. **Berør ikke arbejdsområdet lige efter at arbejdet er udført.** Det kan blive meget varmt og være årsag til forbrændinger.
27. **Kontroller, at arbejdsområdet er ordentligt understøttet.**
28. **Vær opmærksom på, at hjulet bliver ved med at dreje, efter at maskinen er stoppet.**
29. **Denne maskine er ikke vandtæt, så kom ikke vand på arbejdsområdets overflade.**
30. **Sørg for tilstrækkelig udluftning af arbejdsstedet, når De udfører pudsnings.**
31. **Anvendelse af denne maskine til at pudse visse produkter, malede flader og træ, kan bevirke, at brugeren udsættes for støv, som indeholder farlige substanser.** Anvend en passende støvmaske.
32. **Sørg altid for, at maskinen er afbrudt og taget ud af forbindelse, inden De udfører arbejde på maskinen.**
33. **Hvis arbejdsstedet er ekstremt varmt eller fugtigt, eller er slemt forurenet af ledende støv, bør der anvendes en kortslutningsafbryder (30 mA) for at garantere operatørens sikkerhed under arbejdet.**
34. **Anvend aldrig denne maskine på materialer, som indeholder asbest.**
35. **Nogle materialer indeholder kemikalier, som kan være giftige.** Vær omhyggelig med at forhindre inhalering af støv og hudkontakt. Følg fabrikantens sikkerhedsforskrifter.
36. **Benyt altid den/det korrekte støvmaske/ånde-drætsværn til det materiale og den anvendelse, som De arbejder med.**
37. **Sørg altid for, at ventilationsåbningerne forbliver ublokerede, når der arbejdes under støvede forhold.** Hvis det skulle blive nødvendigt at fjerne støv, skal De først tage maskinens netledning ud af stikkontakten og derefter rengøre maskinen (med anvendelse af ikke-metalliske genstande), idet der udvises forsigtighed, så de indvendige dele ikke beskadiges.

Særlige sikkerhedsadvarsler for pudsnings:

18. **Anvend ikke sandpapir i overstørrelse til skiven.** Følg fabrikantens anbefalinger, når De vælger sandpapir. Sandpapir af en størrelse, som går ud over polerskiven udgør en fare for sønderrivelse og kan føre til blokering, ødelæggelse af skiven og/eller tilbageslag.

GEM DISSE FORSKRIFTER.

ADVARSEL:

Lad IKKE bekvemmelighed eller kendskab til produktet (opnået gennem gentagen anvendelse) erstatte nøje overholdelse af sikkerhedsreglerne for det pågældende produkt. MISBRUG eller forsømmelse af at følge de i denne brugsvejledning givne sikkerhedsforskrifter kan føre til, at De kommer alvorligt til skade.

FUNKTIONSBESKRIVELSE

FORSIGTIG:

- Kontroller altid at maskinen er slukket, og at netledningen er taget ud af stikkontakten, før funktioner på maskinen justeres eller kontrolleres.

Afbryderkontaktbetjening (Fig. 1)

FORSIGTIG:

- Før maskinen sættes til netstikket, skal De altid kontrollere, at afbryderkontakten fungerer korrekt og returnerer til "OFF" positionen, når den slippes.
- Afbryderen kan låses i "ON" positionen, så operatørens arbejde lettes ved længere tids anvendelse. Udvis forsigtighed, når De låser maskinen i "ON" positionen, og hold hele tiden godt fast i maskinen.

Maskinen startes ved blot at trykke på afbryderkontakten. Slip afbryderkontakten for at stoppe.

Ved vedvarende arbejde trykkes afbryderkontakten ind og låseknappen skubbes ind.

For at frigøre maskinen fra denne låste position trykkes afbryderkontakten helt ind hvorefter den slippes.

Hastighedsvælger (Fig. 2)

Maskinens hastigheden kan ændres ved at dreje hastighedsvælgeren til en given talindstilling fra 1 til 5.

Højere hastighed opnås, når vælgeren drejes i retning af 5. Langsommere hastighed opnås, når vælgeren drejes i retning af 1.

Se nedenstående tabel for forholdet mellem talindstillingerne på vælgeren og den omtrentlige maskinens hastighed.

Tal	RPM (/min)
1	2 500
2	2 800
3	3 500
4	4 200
5	4 700

FORSIGTIG:

- Hvis maskinen køres uafbrudt ved lave hastigheder i et længere tidsrum, vil motoren blive overbelastet og overophedet.
- Hastighedsreguleringsknappen kan kun drejes til 5 og tilbage til 1. Forsøg ikke at tvinge den forbi 5 eller 1, da anordningen til regulering af hastigheden kan blive ødelagt.

Maskiner udstyret med elektronisk funktion er nemme at anvende takket være følgende egenskaber.

Konstant hastighedskontrol

Elektronisk hastighedskontrol sikrer konstant hastighed. Fornem finish kan opnås, fordi rotationshastigheden holdes konstant selv under belastning.

Blød opstart

Sikkerhed og blød opstart, da startschok undertrykkes.

SAMLING

FORSIGTIG:

- Kontroller altid, at maskinen er slået fra, og at netstikket er trukket ud af stikkontakten, før der udføres noget arbejde på maskinen.

Montering af sidegreb (ekstrahåndtag) og afskærmning (Fig. 3 og 4)

FORSIGTIG:

- Sørg altid for, at sidegrebet er monteret forsvarligt, inden arbejdet påbegyndes.

Monter afskærmningen, og skru derefter sidegrebet godt fast på maskinen. Sidegrebet og afskærmningen kan monteres på begge sider af maskinen.

Montering og afmontering af slibeskive (Fig. 5 og 6)

Sæt gummibagskiven på spindlen. Sæt slibeskiven på gummibagskiven og skru sikringsmøtrikken på spindlen.

For at stramme låsemøtrikken, skal man holde spindelen med nøglen, så den ikke kan dreje, og derefter anvende tapnøglen til at stramme godt til i retningen med uret.

Ved afmontering af slibeskiven følges ovenstående fremgangsmåde i omvendt rækkefølge.

BETJENING

Slibning (Fig. 7)

FORSIGTIG:

- Bær altid sikkerhedsbriller eller ansigtsskærm under brugen.
- Brug aldrig maskinen uden at slibeskiven er monteret. Gummibagskiven kan blive alvorligt beskadiget.

Hold godt fast i maskinen. Tænd for maskinen og sæt derefter sandpapirskiven ned på arbejdsemnet.

Generelt skal sandpapirskiven holdes i en vinkel på omkring 15 grader i forhold til arbejdsemnets overflade. Anvend kun et lille tryk. Et for stort tryk vil føre til en dårlig ydelse og at sandpapirskiven slides for hurtigt.

VEDLIGEHOJDELSE

FORSIGTIG:

- Kontrollér altid, at maskinen er slået fra, og netledningen taget ud af stikkontakten, inden De udfører inspektion eller vedligeholdelse.

Udskiftning af kul (Fig. 8 og 9)

Udtag og efterse kullene med regelmæssige mellemrum. Udskift kullene, når de er slidt ned til slidmarkeringen. Hold kullene rene og i stand til frit at glide ind i holderne. Begge kul skal udskiftes parvist samtidigt. Anvend kun identiske kulbørster.

Benytt en skruetrækker til at afmontere kulholderdækslerne. Tag de slidte kul ud, isæt de nye og fastgør derefter kulholderdækslerne.

For at opretholde SIKKERHED og PÅLIDELIGHED for produktet bør enhver anden vedligeholdelse eller justering kun udføres af en fagmand, som er autoriseret af Makita, eller af et fabrikksservicecenter, og kun udskiftningsdele fra Makita bør anvendes.

TILBEHØR

FORSIGTIG:

- Det i denne manual specificerede tilbehør og anordninger anbefales til brug sammen med Deres Makita maskine. Brug af andet tilbehør og andre anordninger kan udgøre en risiko for personskade. Anvend kun tilbehør og anordninger til de beskrevne formål.

Hvis De behøver assistance eller yderligere detaljer om dette tilbehør, bedes De kontakte Deres lokale Makita servicecenter.

- Gummibagskive
- Sandpapirsskive
- Sikringsmøtrik
- Gaffelnøgle 17
- Tapnøgle 28

ENG102-3

For model GV7000C

Lyd

Det typiske A-vægtede støjniveau bestemt i overensstemmelse med EN60745:

Lydtryksniveau (L_{pA}): 81 dB (A)
Lydeffektniveau: (L_{WA}): 92 dB (A)
Usikkerhed (K): 3 dB (A)

Bær høreværn.

ENG210-4

Vibration

Vibrations totalværdi (tre-aksial vektorsum) bestemt i overensstemmelse med EN60745:

Arbejdsindstilling: skivepudsning
Vibrationsafgivelse ($a_{h, DS}$): 5,5 m/s²
Usikkerhed (K): 1,5 m/s²

Hvis maskinen anvendes til andre formål, kan værdierne for vibration være anderledes.

ENG901-1

- Den angivne vibrationsemissionsværdi er blevet målt i overensstemmelse med standardtestmetoden og kan anvendes til at sammenligne en maskine med en anden.
- Den angivne vibrationsemissionsværdi kan også anvendes i en preliminær eksponeringsvurdering.

ADVARSEL:

- Vibrationsemissionen under den faktiske anvendelse af maskinen kan være forskellig fra den erklærede emissionsværdi, afhængigt af den måde, hvorpå maskinen anvendes.
- Sørg for at identificere de sikkerhedsforskrifter til beskyttelse af operatøren, som er baseret på en vurdering af eksponering under de faktiske brugsforhold (med hensyntagen til alle dele i brugscyklen, som f.eks. de gange, hvor maskinen er slukket og når den kører i tomgang i tilgift til afbrydertiden).

ENH101-13

Kun for lande i Europa

EU-konformitetserklæring

Vi, Makita Corporation, erklærer, som den ansvarlige fabrikant, at den (de) følgende Makita maskine(r):

Maskinens betegnelse: Elektronisk vinkelsliber

Model nr./Type: GV7000C

er af serieproduktion og

opfylder betingelserne i de følgende EU-direktiver:

98/37/EC indtil 28. december 2009 og derefter med 2006/42/EC fra 29. december 2009

og er fremstillet i overensstemmelse med de følgende standarder eller standardiserede dokumenter:

EN60745

Den tekniske dokumentation opbevares af vores autoriserede repræsentant i Europa, som er:

Makita International Europe Ltd.

Michigan Drive, Tongwell,

Milton Keynes, MK15 8JD, England

30. januar 2009



Tomoyasu Kato
Direktør

Makita Corporation
3-11-8, Sumiyoshi-cho,
Anjo, Aichi, JAPAN

Förklaring av allmän översikt

1 Strömställare	6 Låsmutter	11 Skruvnyckel
2 Spärrknapp	7 Slipskiva	12 Slitagegränsmarkering
3 Ratt för varvtalsreglering	8 Gummiplatta	13 Lock för borsthållare
4 Skydd	9 Spindel	14 Skruvmejsel
5 Sidogrepp	10 Nyckel för låsmutteren	

TEKNISKA DATA

Modell	GV7000	GV7000C
Slipskivans diameter.....	180 mm	180 mm
Spindelns gänga.....	M14	M14
Obelastat varvtal (n ₀) / Märkt varvtal (n)	4 700 (min ⁻¹)	2 500–4 700 (min ⁻¹)
Totallängd.....	210 mm	210 mm
Nettovikt.....	2,1 kg	2,1 kg

- På grund av det kontinuerliga programmet för forskning och utveckling, kan här angivna tekniska data ändras utan föregående meddelande.
- Tekniska data kan variera i olika länder.
- Vikt enligt EPTA-proceduren 01/2003

Avsedda användningsområden

Maskinen är avsedd för slipning av stora ytor på trä-, plast- och metallmaterial, samt även målade ytor.

Strömförsörjning

Maskinen får endast anslutas till nät med samma spänning som anges på typplåten och kan endast köras med enfas växelström. Den är dubbelisolerad i enlighet med europeisk standard och kan därför anslutas till vägguttag som saknar skyddsjord.

GEA010-1

Allmänna säkerhetsvarningar för verktygsmaskiner

⚠ VARNING Läs alla säkerhetsvarningar och alla instruktioner. Underlåtenhet att följa varningarna och instruktionerna kan resultera i elektrisk stöt, brand och/eller allvarlig skada.

Spara alla varningar och instruktioner för framtida referens.

RONDELLSLIPMASKINENS SÄKERHETSVARNINGAR

GEB036-3

Allmänna säkerhetsvarningar för slipning:

1. Den här maskinen är avsedd att användas som en slipmaskin. Läs alla säkerhetsvarningar, instruktioner, illustrationer och specifikationer som medföljer den här maskinen. Om man inte följer alla instruktioner som anges nedan kan detta resultera i elektrisk stöt, brand och/eller allvarlig skada.
2. Den här maskinen rekommenderas inte för arbete såsom skärande bearbetning, stålborstning, polering eller kapning. Om maskinen används för arbeten för vilka den inte är avsedd kan detta skapa fara och orsaka personskador.
3. Använd inte tillbehör som inte är specifikt utformade och rekommenderade av maskinens tillverkare. Bara för att ett tillbehör kan monteras på maskinen, innebär det inte att det är säkert att använda.

4. Tillbehörets märkvarvtal måste vara minst lika med det maximala varvtal som finns angivet på maskinen. Tillbehör som snurrar fortare än deras märkvarvtal kan splittras.
5. Tillbehörets utvändiga diameter och tjocklek måste ligga inom maskinens angivna kapacitet. Tillbehör av olämplig storlek kan inte skyddas och kontrolleras på lämpligt sätt.
6. Stödplattornas och tillbehörens spindelhål måste passa maskinens spindel på lämpligt sätt. Tillbehör med spindelhål som inte passar maskinens monteringsselement kommer att bli obalanserade, vibrera kraftigt och kan orsaka att användaren tappar kontrollen över maskinen.
7. Använd inte skadade tillbehör. Före varje användning ska man kontrollera tillbehör såsom stödplattor så att de inte är spruckna eller utslitna. Om maskinen eller tillbehöret tappas, ska tillbehöret kontrolleras eller bytas ut. När tillbehöret har kontrollerats och monterats, ska du placera dig själv och andra närvarande utanför tillbehörets rotationsplan. Kör sedan maskinen i högsta hastighet under en minut. Skadade tillbehör går normalt sönder inom denna testtid.
8. Bär personlig skyddsutrustning. Beroende på användning ska du bära ansiktsskydd eller skyddsglasögon. När så är lämplig ska du bära andningsskydd, hörselskydd, handskar och förkläde som kan stoppa fragment av arbetsstycket. Ögonskydden måste kunna stoppa flygande fragment från olika användningssätt. Andningsskyddet eller andningsutrustningen måste kunna filtrera partiklar som uppkommer av ditt arbete. Långvarig exponering för kraftiga ljud kan skada din hörsel.
9. Håll andra personer på behörigt avstånd från arbetsområdet. Alla som befinner sig i arbetsområdet måste bära lämplig personlig säkerhetsutrustning. Fragment från arbetsstycket eller ett splittrat tillbehör kan flyga iväg och orsaka skada utanför arbetets omedelbara närhet.
10. Håll maskinen endast i de isolerade greppytorna när maskinen utför ett arbete där en skärande skiva kan komma i kontakt med dolda elektriska ledningar eller maskinens kabel. Skärande tillbehör som kommer i kontakt med strömförande ledningar kan göra att maskinens metalldelar blir strömförande, vilket kan ge användaren en elektrisk stöt.

11. **Placera kabeln så att den inte kan komma i kontakt med det snurrande tillbehöret.** Om du förlorar kontrollen kan kabeln skäras av eller skadas och din hand eller arm kan dras in i det snurrande tillbehöret.
12. **Lägg aldrig ner maskinen förrän tillbehöret fullständigt har slutat snurra.** Ett snurrande tillbehör kan greppa ytan och göra så att du tappar kontrollen över maskinen.
13. **Ha aldrig maskinen igång när du bär den vid din sida.** Oavsiktlig kontakt med det snurrande tillbehöret kan trassla in dina kläder och göra så att tillbehöret skadar din kropp.
14. **Rengör maskinens ventilationsöppningar regelbundet.** Motorns fläkt drar in dammet i maskinen och ansamlingar av metallpulver kan orsaka elektriska risker.
15. **Använd inte maskinen i närheten av brandfarliga material.** Gnistor kan antända dessa material.
16. **Använd inte tillbehör som kräver vätskekyllning.** Användning av vatten eller andra kylmedel kan resultera i elektrisk stöt.
17. **Bakslag och relaterade varningar**
Bakslag är en hastig reaktion som uppkommer av att en roterande stödskiva eller tillbehör fastnar. Då stannar det snurrande tillbehöret hastigt vilket i sin tur gör att maskinen tvingas till en kraftig motgående rörelse runt punkten där tillbehöret fastnat. Bakslag är ett resultat av felaktig användning av maskinen och/eller felaktig arbetsmetod/arbetsförhållande och det kan undvikas genom att man följer försiktighetsåtgärderna nedan.
 - a) **Bibehåll ett stadigt grepp om maskinen. Placera din arm och din kropp så att du kan hantera bakslagskrafterna.** Använd alltid i förekommande fall det medföljande stödhandtaget för att få maximal kontroll över bakslag- eller momentreaktioner vid start av maskinen. Användaren kan hantera momentreaktioner och bakslagskrafter om man följer lämpliga försiktighetsåtgärder.
 - b) **Placera aldrig din hand i närheten av ett roterande tillbehör.** Tillbehör kan slå tillbaka över din hand.
 - c) **Placera dig inte på den plats dit maskinen kommer att röra sig vid ett bakslag.** Ett bakslag kommer att skicka maskinen i motsatt riktning mot skivans rörelse vid klämpunkten.
 - d) **Var extra försiktig när du bearbetar hörn, skarpa kanter etc. Undvik att tillbehöret studsar eller fastnar.** Hörn, skarpa kanter och studsande har en tendens att göra så att tillbehöret fastnar, vilket gör att du tappar kontrollen över maskinen eller får ett bakslag.
 - e) **Montera inte ett sågkedjeblad för trä eller ett tandat sågblad.** Sådana blad orsakar ofta bakslag och förlust av kontroll.
19. **Kontrollera stödplattan noga före användning så att den inte är sprucken, skadad eller deformerad. Byt omedelbart ut en sprucken, skadad eller deformerad stödskiva.**
20. **Använd ALDRIG maskinen tillsammans med sågblad eller andra träskärande blad.** När sådana blad används tillsammans med en slipmaskin orsakar det ofta bakslag som gör att du förlorar kontrollen över maskinen, vilket leder till personsador.
 21. **Håll stadigt i maskinen.**
 22. **Håll händerna borta från roterande delar.**
 23. **Se till att slipskivan inte har kontakt med arbetsstycket innan maskinen startas.**
 24. **Se upp för gnistor vid slipning av metall.** Håll maskinen så att gnistorna flyger bort från dig, andra personer eller brandfarliga material.
 25. **Lämna inte maskinen igång.** Maskinen får endast vara igång då du håller i den.
 26. **Rör inte arbetsstycket omedelbart efter bearbetning** då detta kan vara mycket varmt och kan orsaka brännskador.
 27. **Kontrollera att arbetsstycket är lämpligt fastsatt.**
 28. **Var medveten om att skivan fortsätter att snurra efter att maskinen stängts av.**
 29. **Den här maskinen är inte vattentät så du får inte använda vatten på arbetsstyckets yta.**
 30. **Ventilera arbetsområdet på lämpligt sätt när du utför sliparbeten.**
 31. **Användningen av den här maskinen för att slipa vissa produkter, färg och trä kan utsätta användaren för damm som innehåller farliga ämnen. Använd lämpligt andningsskydd.**
 32. **Var noga med att stänga av maskinen och koppla bort den från elnätet innan du utför något arbete på maskinen.**
 33. **Om arbetsplatsen är mycket varm och fuktig eller mycket förorenad, ska du använda en jordfelsbrytare (30 mA) för att säkerställa användarens säkerhet.**
 34. **Använd inte maskinen på några material som innehåller asbest.**
 35. **Vissa material innehåller kemikalier som kan vara giftiga. Var försiktig så att du inte utsätter dig för inandning eller hudkontakt. Följ materialets säkerhetsanvisningar.**
 36. **Använd alltid rätt typ av dammskydd/andningsmask för det material och arbete du utför.**
 37. **Kontrollera att alla ventilationsöppningar är öppna när du arbetar under dammiga förhållanden. Om det skulle bli nödvändigt att ta bort damm, ska du först koppla bort maskinen från elnätet (utan att använda metallverktyg) och undvik att skada de invändiga delarna.**

SPARA DESSA ANVISNINGAR.

VARNING:

Låt INTE bekvämlighet eller vana vid produkten (från upprepad användning) ersätta strikt åtltydande av säkerhetsföreskrifterna för den berörda produkten. **OVARSAM** hantering eller användning som inte följer säkerhetsanvisningarna i denna bruksanvisning kan orsaka allvarliga personsador.

Specifika säkerhetsvarningar för slipning:

18. **Använd inte slippapper av för stor storlek. Följ tillverkarens rekommendationer vid val av slippapper.** Slippapper som är större än slipskivan är en skaderisk och de kan fastna, skada skivan eller orsaka bakslag.

FUNKTIONSBESKRIVNING

FÖRSIKTIGHET!

- Se alltid till att maskinen är avstängd och kontakten utdragen ur nätuttaget innan du justerar eller kontrollerar några funktioner på maskinen.

Strömställarens funktion (Fig. 1)

FÖRSIKTIGHET!

- Kontrollera alltid att strömställaren fungerar normalt och återgår till det avstängda läget "OFF" när den släpps innan maskinens nätkontakt sätts i.
- Strömställaren kan låsas i påslaget läge "ON" för att underlätta långvarig användning. Var försiktig när maskinen är låst i påslaget läge och bibehåll alltid ett stadigt grepp om maskinen.

Tryck helt enkelt på strömställaren för att starta maskinen. Släpp strömställaren för att stanna.

Tryck på strömställaren och tryck sedan in låsknappen för kontinuerlig drift.

Tryck in strömställaren helt och släpp den sedan för att stanna maskinen från det låsta läget.

Ratt för inställning av varvtalet (Fig. 2)

Maskinens varvtal kan ändras genom att ratten för inställning av varvtalet vrids och ställs in mot en av de givna siffrorna från 1 till 5.

Högre varvtal erhålles om ratten vrids i riktning mot siffran 5. Lägre varvtal erhålles om den vrids i riktning mot siffran 1.

Se tabellen nedan för information om förhållandet mellan de angivna siffrorna på ratten, och den ungefärliga maskinens varvtal.

Siffra	RPM (/min)
1	2 500
2	2 800
3	3 500
4	4 200
5	4 700

FÖRSIKTIGHET!

- Om maskinen används vid lågt varvtal under lång tid kommer motorn att överbelastas och överhettas.
- Ratten för inställning av varvtalet kan endast vridas till 5, och sedan tillbaka till 1. Försök inte att med våld vrida den förbi 5 eller 1, eftersom funktionen för inställning av varvtalet då kan upphöra att fungera.

Verktyg och maskiner som är utrustade med elektroniska funktioner är enkla att använda tack vare följande egenskaper.

Kontroll för konstant varvtal

Elektronisk varvtalskontroll för att erhålla konstant hastighet (varvtal). Denna funktion gör det möjligt att erhålla en än finare finish, eftersom rotationshastigheten hålls konstant även under belastning.

Mjuk startfunktion

Mjuk och säker start tack vare att startchocken dämpas.

MONTERING

FÖRSIKTIGHET:

- Se alltid till att maskinen är avstängd och nätkontakten utdragen innan du utför något arbete på själva maskinen.

Montering av sidogreppet (extra handtag) och skyddet (Fig. 3 och 4)

FÖRSIKTIGHET!

- Var noga med att montera sidogreppet ordentligt före användning.

Montera skyddet, och skruva sedan fast sidogreppet ordentligt på verktyget. Sidogreppet och skyddet kan monteras på endera sidan av verktyget.

Montering och borttagning av sliprondellen (Fig. 5 och 6)

Montera gummisulan på spindeln. Passa in sliprondellen över gummisulan, och skruva fast låsmuttern på spindeln.

För att dra åt låsmuttern håller du spindeln med en nyckel så att den inte kan rotera. Använd sedan låsmutternyckeln och dra åt ordentligt medurs.

Följ monteringsanvisningen i omvänd ordning för att ta bort sliprondellen.

DRIFT

Slipningsdrift (Fig. 7)

FÖRSIKTIGHET!

- Bär alltid skyddsglasögon eller ansiktsmask under driften.
- Kör aldrig verktyget utan sliprondellen. Det kan ge svåra skador på sulan.

Håll stadigt i maskinen. Starta maskinen och för slipskivan till arbetsstycket.

I allmänhet ska du hålla slipskivan i cirka 15 graders vinkel mot arbetsytan. Använd endast lättare tryck. För högt tryck resulterar i dålig prestanda och för tidigt utsliten slipskiva.

UNDERHÅLL

FÖRSIKTIGHET!

- Förvissa dig alltid om att nätkabeln dragits ut ur vägguttaget och att maskinen är fränkopplad innan något arbete utförs på maskinen.

Utbyte av kolborstar (Fig. 8 och 9)

Ta ur kolborstarna och kontrollera dem med regelbundna intervaller. Byt ut dem när de är nerslitna till slitgränsmarkeringen. Se till att kolborstarna är rena, och lätt glider i sina hållare. Båda kolborstarna ska bytas ut samtidigt. Använd endast identiska kolborstar.

Tag bort kolborsthållarnas lock med en skruvmejsel. Tar ur de slitna kolborstarna, sätt i de nya och sätt återigen fast kolborsthållarnas lock.

För att bibehålla produktens SÄKERHET och TILLFÖRLITLIGHET får reparationer, annat underhåll och justeringar endast utföras av Makita eller av Makita auktoriserade serviceverkstäder samt endast med Makita original reservdelar.

TILLBEHÖR

FÖRSIKTIGHET:

- Dessa tillbehör och tillsatser rekommenderas för att användas tillsammans med den Makita-maskin som anges i denna bruksanvisning. Om några andra tillbehör eller tillsatser används kan det uppstå risk för personskador. Använd endast tillbehören och tillsatserna för de syften de är avsedda för.

Kontakta ditt lokala Makita servicecenter om du behöver hjälp med ytterligare detaljer om dessa tillbehör.

- Gummiplatta
- Slipskiva
- Låsmutter
- Skruvnyckel 17
- Nyckel för låsmutteren 28

ENG102-3

För modell GV7000C

Buller

Den typiska A-vägda brusnivån är fastställd i enlighet med EN60745:

Ljudtrycksnivå (L_{pA}): 81 dB (A)

Ljudeffektnivå (L_{WA}): 92 dB (A)

Osäkerhet (K): 3 dB (A)

Bär hörselskydd

ENG210-4

Vibration

Vibrationernas totala värde (trippelaxial vektorsumma) bestämd i enlighet med EN60745:

Arbetsläge: slipskiva

Vibrationsvärde ($a_{h, DS}$): 5,5 m/s²

Osäkerhet (K): 1,5 m/s²

Om maskinen används för andra ändamål kan vibrationsvärdet vara ett annat.

ENG901-1

- Uppgivna vibrationsvärden har mätts enligt standardtestmetod och kan användas för att jämföra olika maskiner.
- Uppgivna vibrationsvärden kan dessutom användas som preliminär bedömning av vibrationsexponering.

WARNING:

- Vibrationsexponering under faktisk användning av maskinen kan skilja sig från uppgivna värden beroende på att maskinen kan användas på olika sätt.
- Vidta skyddsåtgärder för användaren baserat på en bedömning av exponering under aktuella förhållanden (med hänsyn tagen till hela arbetet såsom hur många gånger maskinen stängs av och hur stor del av tiden som den körs obelastad).

Endast för Europa

Försäkran om överensstämmelse (CE)

Makita Corporation försäkrar i egenskap av ansvarig tillverkare att följande Makita-maskiner:

Maskinbeteckning: Elektronisk rondellslipmaskin

Modellnr./typ: GV7000C

Här serietillverkade och

Uppfyller följande EU-direktiv:

98/37/EC t.o.m. den 28 december 2009 och sedan 2006/42/EC fr.o.m. den 29 december 2009

Och är tillverkad i enlighet med följande normer eller normdokument:

EN60745

Teknisk dokumentation finns tillgänglig hos vår auktoriserade representant i Europa:

Makita International Europe Ltd.

Michigan Drive, Tongwell,

Milton Keynes, MK15 8JD, England

30 januari 2009



Tomoyasu Kato
Direktör

Makita Corporation
3-11-8, Sumiyoshi-cho,
Anjo, Aichi, JAPAN

Forklaring til generell oversikt

1 Bryter	6 Låsemutter	11 Skrunøkkel
2 Låseknapp	7 Slipeskive	12 Grensemarkering
3 Hastighetsskive	8 Gummironde	13 Børsteholderkappe
4 Deksel	9 Spindel	14 Skrutrekker
5 Sidegrep	10 Skrunøkkel til låsemutter	

TEKNISKE DATA

Modell	GV7000	GV7000C
Slipeskivediameter	180 mm	180 mm
Spindelgjenge	M14	M14
Tomgangshastighet (n ₀) / Merkehastighet (n)	4 700 (min ⁻¹)	2 500–4 700 (min ⁻¹)
Totallänge	210 mm	210 mm
Nettovekt	2,1 kg	2,1 kg

- Grunnet det kontinuerlige forsknings- og utviklingsprogrammet, forbeholder vi oss retten til å foreta endringer i tekniske data uten forvarsel.
- Tekniske data kan variere fra land til land.
- Vekt i henhold til EPTA-prosedyre 01/2003

Bruksområde

Maskinen er beregnet til sliping av treflater, plast, metallmaterialer og malte flater.

Strømforsyning

Maskinen må kun koples til den spenning som er angitt på typeskiltet og arbeider kun med enfas-vekselstrøm. Den er dobbelt verneisoleret i henhold til de Europeiske Direktiver og kan derfor også koples til stikkontakter uten jording.

GEA010-1

Generelle sikkerhetsanvisninger for elektroverktøy

⚠ ADVARSEL Les alle sikkerhetsrelevante advarsler og alle instruksjoner. Hvis du ikke følger alle advarslene og instruksjonene, kan det føre til elektriske støt, brann og/eller alvorlige helseskader.

Ta vare på alle advarslene og instruksjonene for fremtidig bruk.

SIKKERHETSANVISNINGER FOR SLIPEMASKIN MED SKIVE

GEB036-3

Sikkerhetsanvisninger for all sliping:

1. Dette elektroverktøyet er beregnet på å skulle brukes som slipemaskin. Studer illustrasjonene og les alle sikkerhetsanvisningene, instruksjonene og spesifikasjonene som fulgte med denne maskinen. Hvis du ikke følger alle instruksjonene som er oppført nedenfor, kan det føre til elektrisk støt, brann og/eller alvorlige helseskader.
2. Arbeidsoperasjoner som sliping, børsting, polering og kapping anbefales ikke utført med denne maskinen. Arbeidsoperasjoner som maskinen ikke er konstruert for, kan være farlige og medføre helseskader.
3. Ikke bruk tilbehør som ikke er spesielt konstruert og anbefalt av verktøyprodusenten. Selv om et tilbehør kan festes på maskinen, betyr ikke det automatisk at det er trygt å bruke.

4. Merkehastigheten til tilbehøret må være lik eller høyere enn den maksimale hastigheten som er avmerket på maskinen. Tilbehør som roterer fortere enn merkehastigheten sin, kan gå i stykker og fly fra hverandre.
5. Den ytre diameteren og tykkelsen av tilbehøret må ligge innenfor merkekapasiteten til maskinen din. Tilbehør med feil størrelse kan ikke beskyttes eller kontrolleres skikkelig.
6. Akselhullet til bakputene og annet tilbehør må passe til spindelen på maskinen. Tilbehør med akselhull som ikke passer til monteringsmekanismen på maskinen, vil rotere med kast, vibrere kraftig og kan bli umulig å kontrollere.
7. Ikke bruk tilbehør som er skadet. Før hver gangs bruk må du inspisere tilbehøret, f.eks. bakputene, og se etter sprekker, hakk eller kraftig slitasje. Hvis maskinen eller tilbehøret har falt ned, må du se etter skader og montere uskadet tilbehør ved behov. Etter at du har sjekket og montert tilbehør, må verken du eller andre komme i nærheten av planet til det roterende tilbehøret, og deretter kjøre maskinen ved høyeste ubelastede turtall i minst ett minutt. Tilbehør som er skadet, vil normalt gå i stykker i løpet av denne testtiden.
8. Bruk personlig verneutstyr. Avhengig av bruksområdet må du bruke visir eller vernebriller. Ved behov må du bruke støvmaske, hørselvern, hansker og et arbeidsforkle som er i stand til å stoppe små biter av arbeidsemnet. Øyevernet må kunne stoppe flygende biter forårsaket av ulike arbeidsoperasjoner. Støvmasken eller åndedrettsvernet må kunne filtrere ut partikler som oppstår under arbeidet. Lang tids eksponering for høy lyd kan gi hørselskader.
9. Alle tilskuere må holdes på trygg avstand fra arbeidsområdet. Ingen må komme inn i arbeidsområdet uten å bruke personlig verneutstyr. Fragmenter av et arbeidsemne eller ødelagt tilbehør kan fly avgårde og forårsake helseskader utenfor det umiddelbare arbeidsområdet.
10. Hold elektroverktøyet kun i de isolerte håndtakene når du utfører en operasjon der skjærende deler kan komme i kontakt med skjulte ledninger eller ledningen til maskinen selv. Skjærende tilbehør som får kontakt med en strømførende ledning kan gjøre uisolerte deler av maskinen strømførende og gi operatøren elektrisk støt.

11. **Plasser ledningen slik at den ikke kommer i veien for det roterende tilbehøret.** Hvis du mister kontrollen, kan ledningen kappes eller strammes, og hånden eller armen din kan bli trukket inn mot det roterende tilbehøret.
12. **Ikke legg ned maskinen før tilbehøret har stoppet helt.** Det roterende tilbehøret kan "sparke fra" mot bakken eller benken og trekke maskinen ut av din kontroll.
13. **Ikke la maskinen være på mens du bærer den med deg.** Ved utilsiktet kontakt med det roterende tilbehøret kan dette ta tak i klærne dine og bli trukket inn i kroppen din.
14. **Gjør ren maskinens luftenåpninger med jevne mellomrom.** Viften i motoren vil trekke inn støv i huset, og for store mengder oppsamlet metallstøv kan utgjøre et elektrisk faremoment.
15. **Ikke bruk maskinen i nærheten av brennbare materialer.** Gnister kan antenne slike materialer.
16. **Ikke bruk tilbehør som krever bruk av kjølevæsker.** Bruk av vann eller andre kjølevæsker kan føre til livsfarlig elektriske støt.
17. **Tilbakeslag og tilhørende advarsler**
Tilbakeslag er en plutselig bevegelse i maskinen som følge av at den roterende bakputen eller annet tilbehør har satt seg fast. Bråstopp av det roterende tilbehøret fører til at maskinen gjør en ukontrollert bevegelse i motsatt retning av tilbehørets rotasjonsretning, ut fra fastkjøringspunktet. Tilbakeslag er et resultat av feil bruk av maskinen og/eller feilaktige arbeidsprosedyrer eller arbeidsforhold, og kan unngås hvis man tar de rette forholdsregler (se nedenfor).
 - a) **Hold maskinen i et fast grep, og hold kroppen og armene dine slik at de kan motstå kraften fra maskinen i tilfelle den slår tilbake mot deg.** Hvis maskinen har et hjelpehåndtak, må du alltid bruke dette for å gi deg maksimal kontroll over tilbakeslag eller momentreaksjoner under oppstart. Operatøren kan kontrollere momentreaksjoner eller kraften fra et tilbakeslag hvis de riktige forholdsreglene tas.
 - b) **Plasser aldri hånden din i nærheten av det roterende tilbehøret.** Tilbehøret kan slå tilbake over hånden din.
 - c) **Ikke plasser deg eller noen av kroppsdelenes dine i det området maskinen vil bevege seg til hvis det oppstår et tilbakeslag.** Et tilbakeslag vil kaste maskinen i motsatt retning av skivens rotasjonsretning, ut fra fastkjøringspunktet.
 - d) **Vær spesielt forsiktig ved arbeid på hjørner, skarpe kanter osv. Unngå at tilbehøret hopper eller setter seg fast.** Hjørner, skarpe kanter eller en maskin som hopper kan føre til at det roterende tilbehøret setter seg fast og forårsake tap av kontroll eller tilbakeslag.
 - e) **Ikke monter et sagkjedeblad for treskjæring eller et tannet sagblad.** Slike blader forårsaker ofte tilbakeslag og tap av kontroll.
19. **Før du begynner å bruke verktøyet, må du kontrollere nøye at rondellen ikke er deformert eller har sprekker eller andre skader.** En deformert, sprukket eller skadet rondell må skiftes ut omgående.
20. **Maskinen må ALDRI brukes med skjæreblader for tre eller andre sagblader.** Hvis slike blader brukes på en slipemaskin, kan de ofte føre til slag fra maskinen, slik at operatøren mister kontrollen og blir skadet.
21. **Hold maskinen godt fast.**
22. **Hold hendene unna roterende deler.**
23. **Forviss deg om at slipeskiven ikke har kontakt med arbeidsstykket før av/på-bryteren er slått på.**
24. **Ved sliping av metalloverflater må du se opp for flygende gnister.** Hold maskinen slik at gnist-spruten står bort fra deg og andre personer eller brennbare materialer.
25. **Ikke gå fra verktøyet mens det er i gang.** Verktøyet må bare brukes mens operatøren holder det i hendene.
26. **Ikke berør arbeidsstykket umiddelbart etter bruk.** Det kan være svært varmt og kan gi deg brannskader.
27. **Forviss deg om at arbeidsstykket står støtt.**
28. **Ta hensyn til at skiven fortsetter å rotere etter at maskinen er slått av.**
29. **Denne maskinen er ikke vannrett, så ikke bruk vann på overflaten av arbeidsemnet.**
30. **Ventiler arbeidsområdet godt når du sliper.**
31. **Når denne maskinen brukes til å slippe visse produkter, tresorter eller malte flater, kan brukeren utsettes for støv som inneholder farlige stoffer.** Bruk egnet åndedrettsvern.
32. **Forviss deg alltid om at maskinen er slått av og støpselet trukket ut av kontakten før du utfører noe arbeid på maskinen.**
33. **Hvis arbeidsplassen er ekstremt varm og fuktig, eller svært forurenset med elektrisk ledende støv, må du bruke en kortslutningsbryter (30 mA) for å ivareta operatørens sikkerhet.**
34. **Ikke bruk maskinen på materialer som inneholder asbest.**
35. **Enkelte materialer inneholder kjemikalier som kan være giftige.** Treff tiltak for å hindre hudkontakt og innånding av støv. Følg leverandørens sikkerhetsanvisninger.
36. **Bruk alltid riktig støvmaske/pustemaske for det materialet og det bruksområdet du arbeider med.**
37. **Forviss deg om at luftenåpningene holdes åpne når du arbeider under støvete forhold.** Hvis det skulle bli nødvendig å fjerne støv, må du først koble maskinen fra strømmettet. Bruk ikke-metalliske gjenstander til rengjøringen, og unngå å skade indre deler.

TA VARE PÅ DISSE INSTRUKSENE.

ADVARSEL:

IKKE LA hensynet til hva som er "behagelig" eller det faktum at du kjenner produktet godt (etter mange gangers bruk) gjøre deg mindre oppmerksom på sikkerhetsreglene for bruken av det aktuelle produktet. MISBRUK av verktøyet eller mislighold av sikkerhetsreglene i denne brukerhåndboken kan resultere i alvorlige helseskader.

FUNKSJONELL BESKRIVELSE

NB!

- Sørg for at maskinen er slått av og kontakten dratt ut før det foretas justeringer eller inspeksjon.

Bryter (Fig. 1)

NB!

- Før maskinen koples til strømmettet, må man alltid sjekke at startbryteren fungerer som den skal og går tilbake til "OFF" når den slippes.
- Bryteren kan låses i PÅ-stilling (ON) for å gjøre arbeidsstillingen mer behagelig for operatøren under lengre tids bruk. Vær forsiktig når verktøyet er låst i PÅ-stilling (ON), og hold verktøyet godt fast.

For å starte maskinen, trekk simpelthen i bryteren. Slipp bryteren for å stanse.

For uavbrutt drift, trekk i bryteren og trykk deretter inn låseknappen.

For å stanse maskinen med låseknappen inne, trekk bryteren helt inn og deretter slipp den.

Hastighetsskive (Fig. 2)

Maskinens hastighet kan endres ved å dreie hastighetsskiven til et nummer fra 1 til 5.

Høyere hastighet oppnås ved å dreie mot 5. Og lavere hastighet oppnås ved å dreie mot 1.

Se tabellen under for forholdet mellom nummerinnstilling på skiven og cirka maskinens hastighet.

Nummer	Turtall (/min)
1	2 500
2	2 800
3	3 500
4	4 200
5	4 700

NB!

- Hvis verktøyet brukes lenge og kontinuerlig ved lavt turtall, vil motoren bli overbelastet og for varm.
- Hastighetsskiven kan bare dreies til 5 og tilbake til 1. Hastighetens justeringsfunksjon kan ødelegges hvis skiven dreies med makt forbi 5 eller 1.

Verktøy som er utstyrt med elektroniske funksjoner er enkle å betjene grunnet følgende egenskaper.

Konstant hastighetskontroll

Elektronisk hastighetskontroll for konstant hastighet. Mulighet for finpusning siden rotasjonshastigheten kan holdes konstant også i belastet tilstand.

My startfunksjon

Sikker og myk start grunnet dempet oppstarting.

MONTERING

NB!

- Sørg alltid for at boremaskinen er slått av og kontakten trukket ut før det utføres arbeid på maskinen.

Montere sidegrep (hjelpelandtak) & deksel (Fig. 3 og 4)

NB!

- Forviss deg alltid om at støttehåndtaket er skikkelig montert før du tar maskinen i bruk.

Monter dekslet og skru sidegrepet godt fast på verktøyet. Sidegrepet og dekslet kan monteres på begge sider av verktøyet.

Montering og demontering av slipeskiven (Fig. 5 og 6)

Monter gummiputen på spindelen. Sett slipeskiven oppå gummiputen og skru låsemutteren fast på spindelen.

Stram låsemutteren ved å holde spindelen med nøkkelen så spindelen ikke kan rotere, og bruk låsemutternøkkelen til å stramme mutteren godt i klokkeretningen.

Slipeskiven demonteres ved å følge monteringsprosedyren i omvendt rekkefølge.

BRUK

Sliping (Fig. 7)

NB!

- Bruk alltid vernebriller eller ansiktsmaske under arbeidet.
- Kjør aldri verktøyet uten slipeskiven. Det vil ødelegge puten.

Hold maskinen godt fast. Slå på verktøyet og sett så slipeskiven i berøring med arbeidsstykket.

Generelt skal slipeskiven holdes i en vinkel på omtrent 15 grader mot overflaten av arbeidsstykket. Trykk bare forsiktig. Overdrevent trykk på verktøyet gir dårlig ytelse, og slipeskiven blir fort slitt.

SERVICE

NB!

Sørg for at vinkelboremaskinen er slått av og kontakten trukket ut før det settes i gang med vedlikeholdsarbeid eller inspeksjon.

Skifte kullbørster (Fig. 8 og 9)

Fjern og kontroller kullbørstene med jevne mellomrom. Skift dem når de begynner å bli slitt ned mot grensemarkeringen. Hold kullbørstene rene, og la dem gli fritt i holderne. Begge kullbørstene bør skiftes samtidig. Bruk kun identiske kullbørster.

Bruk en skrutrekker til å fjerne hettene på børsteholderne. Ta ut de slitte kullbørstene, sett inn de nye og fest hettene på børsteholderne.

For å opprettholde produktets SIKKERHET og PÅLITELIGHET, må reparasjoner, vedlikehold og justeringer utføres av Makitas autoriserte servicesentre eller fabrikk-servicesentre, og det må alltid brukes reservedeler fra Makita.

TILLEGGSUTSTYR

ENH101-13

NB!

- Tilleggsutstyr eller tilbehør som anbefales for din Makita-maskin er spesifisert i denne bruksanvisningen. Bruk av annet tilleggsutstyr eller tilbehør enn dette kan øke risikoen for personskader. Tilleggsutstyr eller annet tilbehør må bare brukes for de formål det er beregnet for.

Hvis du har behov for flere detaljer som gjelder dette ekstrautstyret, spør ditt lokale Makita servicesenter om hjelp.

- Gummirondell
- Slipeskive
- Låsemutter
- Skrunøkkel 17
- Skrunøkkel til låsemutter 28

ENG102-3

For modell GV7000C

Støy

Typisk A-vektet lydtrykknivå bestemt i samsvar med EN60745:

Lydtrykknivå (L_{pA}): 81 dB (A)
Lydstyrkenivå (L_{WA}): 92 dB (A)
Usikkerhet (K): 3 dB (A)

Bruk hørselvern

ENG210-4

Vibrasjoner

Den totale vibrasjonsverdien (triaksial vektorsum) bestemt i henhold til EN60745:

Arbeidsmåte: skivesliping
Genererte vibrasjoner ($a_{h, DS}$): 5,5 m/s²
Usikkerhet (K): 1,5 m/s²

Hvis maskinen brukes til andre formål, kan verdien for vibrasjon være forskjellig.

ENG901-1

- Den angitte verdien for de genererte vibrasjonene er blitt målt i samsvar med standardtestmetoden og kan brukes til å sammenlikne et verktøy med et annet.
- Den angitte verdien for de genererte vibrasjonene kan også brukes til en foreløpig vurdering av eksponeringen.

ADVARSEL:

- De genererte vibrasjonene ved faktisk bruk av elektroverktøyet kan avvike fra den oppgitte vibrasjonsverdien, avhengig av hvordan verktøyet brukes.
- Sørg for å identifisere sikkerhetstiltak som er basert på et estimat av eksponeringen under de faktiske bruksforholdene (idet det tas hensyn til alle deler av driftssyklusen, dvs. hvor lenge verktøyet er slått av, hvor lenge det går på tomgang, og hvor lenge startbryteren faktisk holdes trykket), for å beskytte operatøren.

Gjelder bare land i Europa

EF-samsvarserklæring

Som ansvarlig produsent erklærer vi, Makita Corporation, at følgende Makita-maskin(er):

Maskinbetegnelse: Elektronisk slipesmaskin med skive

Modellnr./type: GV7000C

Her serieprodusert og

samsvarer med følgende EU-direktiver:

98/37/EC inntil 28. desember 2009 og deretter med 2006/42/EC fra 29. desember 2009

og er produsert i henhold til følgende standarder eller standardiserte dokumenter:

EN60745

Den tekniske dokumentasjonen oppbevares av vår autoriserte representant i Europa, som er:

Makita International Europe Ltd.

Michigan Drive, Tongwell,

Milton Keynes, MK15 8JD, England

30. januar 2009



Tomoyasu Kato
Direktor

Makita Corporation
3-11-8, Sumiyoshi-cho,
Anjo, Aichi, JAPAN

Yleiselustus

1 Liipaisinkytkin	6 Lukkomutteri	11 Ruuviavain
2 Lukitusnuppi	7 Hiomalaikka	12 Rajamerkki
3 Nopeudensäätökehä	8 Kumilevy	13 Harjapidike
4 Suojus	9 Akseli	14 Ruuvinväänin
5 Sivukädensija	10 Lukkomutteriavain	

TEKNISET TIEDOT

Malli	GV7000	GV7000C
Hiomislaikan läpimitta.....	180 mm	180 mm
Karan kierre	M14	M14
Tyhjäkäyntinopeus (n_0) / Nimellinopeus (n)	4 700 (min^{-1})	2 500–4 700 (min^{-1})
Kokonaispituus	210 mm	210 mm
Nettopaino	2,1 Kg	2,1 Kg

- Jatkuvan tutkimus- ja kehitysohjelman vuoksi pidämme oikeuden muuttaa tässä mainittuja teknisiä ominaisuuksia ilman ennakoilmoitusta.
- Tekniset ominaisuudet saattavat vaihdella eri maissa.
- Paino EPTA-menetelmän 01/2003 mukaan

Käyttötarkoitus

Tämä kone on tarkoitettu suurten puupintojen muovin, metallien ja maalattujen pintojen hiomiseen.

Virransyöttö

Laitteen saa kytkeä ainoastaan virtalähteeseen, jonka jännite on sama kuin tyyppikivessä ilmoitettu. Laitetta voidaan käyttää ainoastaan yksivaiheisella vaihtovirralla. Laite on kaksinkertaisesti suojaeristetty eurooppalaisten standardien mukaisesti, ja se voidaan tästä syystä liittää maadoittamattomaan pistorasiaan.

GEA010-1

Sähkötyökalujen yleiset turvavaroitukset

VAROITUS Lue kaikki turvavaroitukset ja kaikki ohjeet. Jos et noudata kaikkia varoituksia ja ohjeita, voi seurauksena olla sähköisku, tulipalo ja/tai vaikea vamma.

Säilytä kaikki varoitukset ja ohjeet myöhempää käyttöä varten.

PYSTYHIOMAKONEEN VAROITUKSIA

GEB0036-3

Hiomistoimenpidettä koskevia turvallisuusvaroituksia:

1. Tämä sähkötyökalu on tarkoitettu käytettäväksi hiomakoneena. Tutki kaikki tämän laitteen mukana tulevat turvavaroitukset, ohjeet, kuvat ja tekniset tiedot. Jos et noudata kaikkia alla lueteltuja ohjeita, voi seurauksena olla sähköisku, tulipalo ja/tai vaikea vamma.
2. Tällä sähkötyökalulla ei ole suositeltavaa suorittaa toimenpiteitä kuten esimerkiksi tahkoamista, teräsharjausta, kiillottamista tai leikkausta. Toimenpiteet joita varten tätä laitetta ei ole suunniteltu saattavat aiheuttaa vaaran ja henkilövahinkoja.
3. Älä käytä varaosia, joita ei ole erityisesti suunniteltu ja joita laitteen valmistaja ei suosittele. Se että lisävaruste voidaan kiinnittää koneeseen ei takaa turvallista käyttöä.

4. Lisävarusteen nimellinopeuden täytyy olla vähintään sama kuin koneeseen merkitty maksiminopeus. Nimellinopeutta nopeammin käyvät lisävarusteet voivat rikkoutua ja singota erilleen.
5. Lisävarusteen ulkolämpimän ja paksuuden täytyy olla koneen kapasiteetin rajoissa. Väärän kokoisia lisävarusteita ei voida riittävästi suojata tai hallita.
6. Tukityynyjen tai muiden lisävarusteiden akseliin täytyy sopia kunnolla koneen telaan. Lisävarusteet, joiden akselireiät eivät ole samat kuin koneen asennusosan, menettävät tasapainon, värisevät liikaa ja saattavat aiheuttaa hallinnan menetyksen.
7. Älä käytä vaurioitunutta lisävarustetta. Tarkasta aina ennen käyttöä, onko esimerkiksi lisävarusteen tukityynyssä halkeamia, repeämiä tai kulumisia. Jos kone tai lisävaruste putoaa, tarkasta vauriot tai asenna vahingoittumaton lisävaruste. Tarkastettuasi ja asennettuasi lisävarusteen asetu itse ja aseta sivustakatsojat kauas pyörivän lisävarusteen tasolta ja käytä konetta suurimmalla mahdollisella joutokäyntinopeudella minuutin ajan. Vaurioituneet lisävarusteet normaalisti hajoavat tämän koeajan aikana.
8. Käytä suojavarustusta. Käyttötavasta riippuen käytä kasvosuojaa tai turvalaseja. Jos tuntuu sopivalta, käytä pölynaamaria, kuulosuojaimia, käsineitä ja esiliinaa, jotta työkappaleen palaset eivät aiheuttaisi vahinkoa. Silmäsuojaimien täytyy voida estää ei työväiheissa syntyvien lentävien roskien joutuminen silmiin. Pölynaamarin tai hengityssuojaimen täytyy voida suodattaa käytössä syntyviä hiukkasia. Pitkäaikainen altistuminen voimakkaalle melulle saattaa aiheuttaa kuulon menetyksen.
9. Pidä sivustakatsojat turvallisen välimatkan päässä työskentelyalueelta. Kaikkien työskentelyalueella liikkuvien täytyy käyttää suojavarustusta. Työkappaleen tai rikkoutuneen lisävarusteen palasia saattaa lennellä ja aiheuttaa vahinkoa jopa työskentelyalueen ulkopuolella.
10. Tartu koneeseen kiinni vain eristetyistä pinnoista suorittaessasi toimenpidettä, jossa leikkausosa saattaa joutua kosketuksiin piilossa olevan johdon tai oman johtonsa kanssa. Jos leikkausosa joutuu kosketuksiin jännitteisen johdon kanssa, koneen ulkoiset metalliosat saattavat tulla jännitteisiksi ja aiheuttaa käyttäjälle sähköiskun.

11. **Aseta johto niin, että se ei ole pyörivän lisävarusteen lähellä.** Jos menetät koneen hallinnan, johto saattaa katketa tai sotkeutua ja kätesi tai käsivartesi voi joutua pyörivään lisävarusteeseen.
12. **Älä koskaan laske konetta maahan ennen kuin lisävaruste on pysähtynyt kokonaan.** Pyörivä lisävaruste saattaa tarttua maanpintaan ja vetää konetta niin, että et voi enää hallita sitä.
13. **Älä käytä konetta sitä kantaessasi.** Kun vahingossa kosket pyörivään lisävarusteeseen, voi vaatteesi tarttua siihen vetäen lisävarusteen vartaloasi vasten.
14. **Puhdistu koneen ilmaventtiilit säännöllisesti.** Moottorin tuuletin vetää pölyn kotelon sisään ja liian suuri määrä metallipölyä voi aiheuttaa sähkövikoja.
15. **Älä käytä konetta liian lähellä helposti palavia materiaaleja.** Kipinät saattavat sytyttää nämä materiaalit palamaan.
16. **Älä käytä lisävarusteita, jotka vaativat nestemäistä jäähdytysainetta.** Jos käytät vettä tai muita nestemäisiä jäähdytysaineita, seurauksena saattaa olla sähköisku.
17. **Ponnahdus ja siihen liittyvät varoitukset**
Ponnahdus on akallinen vastareaktio kiristetylle pyörivälle tukityynylle tai muulle lisävarusteelle. Kiristämisen aiheuttaa pyörivän lisävarusteen nopean kiinnijuuttumisen, mikä taas saa hallinnan menettäneen koneen kääntymään lisävarusteen pyörintäsuunnan vastakkaiseen suuntaan reunuksen kohdalla. Ponnahdus on tulos koneen väärästä käytöstä ja/tai vääristä käyttötavoista tai olosuhteista ja se voidaan estää noudattamalla alla annettuja oikeita turvaohjeita.
 - a) **Ota tukeva ote koneesta ja asetu niin, että vartalosi ja käsivartesi auttavat sinua taistelemaan ponnahdusvoimaa vastaan.** Käytä aina apukahvaa, jos se kuuluu varusteisiin, varmistaaksesi maksimin kontrolliin ponnahdusta tai vääntömomentin vastareaktiota vastaan käynnistykseen aikana. Käyttäjää voi kontrolloida vääntömomentin vastareaktioita tai ponnahdusvoimia, jos oikeat varotoimenpiteet on tehty.
 - b) **Älä koskaan aseta kättäsi pyörivän lisävarusteen lähelle.** Lisävaruste saattaa ponnahtaa kätesi yli.
 - c) **Älä asetu paikkaan, mihin kone siirtyy jos ponnahdus tapahtuu.** Ponnahdus pakottaa laitteen vastakkaiseen suuntaan kuin mikä on laitteen liike kiristyskohdassa.
 - d) **Ole erityisen tarkka, kun työstät kulumia, teräviä reunoja jne. Vältä lisävarusteen pompotamista ja kiristämistä.** Kulmat, terävät reunat tai pompotus pyrkivät kiristämään pyörivää lisävarustetta ja aiheuttamaan hallinnan menetyksen tai ponnahduksen.
 - e) **Älä kiinnitä puunleikkaukseen tarkoitettua sahanterää tai hammastettua sahanterää.** Sellaiset terät aiheuttavat jatkuvaa ponnahdusta ja hallinnan menetystä.
18. **Hiomistoimenpidettä koskevia turvallisuusvaroituksia:**
 18. **Älä käytä liian suurta hiomislaikkapaperia.** Noudata valmistajan suosituksia valitessasi hiomispaperia. Suuri hiomispaperi joka ulottuu hiomistyynyn ulkopuolelle on vaarassa repeytyä ja saattaa aiheuttaa kiristymistä, laikan repeytymisen tai ponnahduksen.
 19. **Ennen käyttöä tarkasta huolellisesti, onko tukityynyssä halkeamia, vaurioita tai epämuodostumia.** Vaihda haljennut, vaurioitunut tai epämuodostunut tyyny heti uuteen.
 20. **ÄLÄ KOSKAAN käytä koneessa puunleikkaukseen tarkoitettuja teriä tai muita sahanteräitä.** Seläisten terien käyttö hiomakoneen kanssa aiheuttaa ponnahduksen ja hallinnan menetyksen, josta on seurauksena loukkaantuminen.
 21. **Pidä koneesta tukevasti kiinni.**
 22. **Pidä kädet kaukana pyörivistä osista.**
 23. **Ennen kuin kytket virran päälle, varmista, että hiomislaikka ei kosketa työkalpaletta.**
 24. **Hiotessasi metallipintoja varo lenteleviä kipinöitä.** Pidä koneesta kiinni niin, että kipinät lentävät sinusta, muista henkilöistä tai helposti syttyvistä materiaaleista pois päin.
 25. **Älä jätä konetta käymään yksin.** Käytä konetta ainoastaan silloin kun pidät sitä kädessäsi.
 26. **Älä koske työkalpaaleeseen heti käytön jälkeen.** Se saattaa olla erittäin kuuma ja aiheuttaa palovamman.
 27. **Tarkasta, että työkalpalle on tuettu kunnolla.**
 28. **Huomaa, että laikka jatkaa pyörimistään sen jälkeen kun laitteen virta on katkaistu.**
 29. **Tämä kone ei ole vedenkestävä, älä siis käytä vettä työkalpalleen pinnalla.**
 30. **Tuuleta työskentelyaluetta riittävästi hiomistoimenpiteen aikana.**
 31. **Tämän koneen käyttö joidenkin tuotteiden, maalien ja puun hiomiseen saattaa altistaa käyttäjän pölylle, joka sisältää vaarallisia aineita.** Käytä siis tarkoitukseen sopivaa hengityssuojainta.
 32. **Varmista aina, että koneen virta on sammutettu ja johto irrotettu, ennen kuin suoritat koneella mitään toimenpidettä.**
 33. **Jos työskentelytila on erittäin kuuma ja kostea tai johtavaa pölyä täynnä, varmista käyttäjän turvallisuus ottamalla oikosulkujarru (30 mA) käyttöön.**
 34. **Älä käytä konetta asbestia sisältävien materiaalien kanssa.**
 35. **Joissakin materiaaleissa on kemikaaleja, jotka saattavat olla myrkyllisiä.** Yritä estää pölyn joutuminen hengitykseen ja iholle. Noudata materiaalin valmistajan turvaohjeita.
 36. **Käytä aina käyttämällesi materiaalille ja sovelukselle sopivaa pölynaamaria/hengityssuojainta.**
 37. **Varmista, että tuuletusaukot ovat puhtaat työskennellessäsi pölyisissä olosuhteissa.** Jos tulee tarve poistaa pölyä, irrota ensin kone virtapiiristä (käytä ei-metallisia aineita) ja vältä vahingoittamasta sisäosia.

SÄILYTÄ NÄMÄ OHJEET.

VAROITUS:

ÄLÄ anna mukavuudenhalun ja tuotteen tutunomaisuuden (johtuen toistuvasta käytöstä) häiritä turvallisuussääntöjen noudattamista. **VÄÄRINKÄYTTÖ** tai tässä ohjekirjassa mainittujen turvaohjeiden noudattamatta jättäminen voi aiheuttaa vakavan loukkaantumisen.

TOIMINTOJEN KUVAUS

VARO:

- Varmista aina ennen koneelle tehtävien toimenpiteiden tekemistä, että kone on sammutettu ja irrotettu pistorasiasta.

Kytkimen käyttäminen (Kuva 1)

VARO:

- Tarkasta aina ennen virtajohdon liittämistä pistorasiin, että liipaisinkytkin toimii moitteettomasti ja että se palautuu "OFF" -asentoon vapautettaessa.
- Katkaisijakytkin voidaan lukita "ON"-asentoon, jotta käyttäjän olisi helpompi käyttää konetta pitkäaikaisessa käytössä. Ole varovainen lukitessasi konetta "ON"-asentoon ja pidä koneesta tiukasti kiinni.

Kone käynnistetään yksinkertaisesti liipaisinta painamalla. Kone pysähtyy vapautettaessa liipaisin.

Kone saadaan käymään jatkuvasti painamalla liipaisinta ja painamalla sitten lukituspainiketta.

Tämä lukitustila saadaan purettua painamalla liipaisin koneaan pohjaan ja vapauttamalla se.

Nopeudensäätökehä (Kuva 2)

Koneen käyntinopeutta voidaan muuttaa kiertämällä nopeudensäätökehä numeroasetukselle 1–5.

Kiertonopeus kasvaa käännettäessä kehää numeron 5 suuntaan. Kiertonopeus pienenee käännettäessä kehää numeron 1 suuntaan.

Katso kehän numeroasetusten ja koneen likimääräisen käyntinopeuden välinen suhde alla olevasta taulukosta.

Numero	RPM (/min)
1	2 500
2	2 800
3	3 500
4	4 200
5	4 700

VARO:

- Jos konetta käytetään jatkuvasti ja pitkän aikaa alhaisella nopeudella, moottori ylikuormittuu ja kuumenee.
- Nopeudensäätökehää voidaan kiertää vain 5:een saakka ja takaisin 1:een. Älä pakota kehää 5:n tai 1:n ohi. Muutoin nopeudensäätö saattaa lakata toimimasta.

Seuraavat ominaisuudet helpottavat elektronisilla toiminoilla varustettujen työkalujen käyttöä.

Vakionopeuden säädin

Elektroninen nopeudensäätö tasaisen käyntinopeuden aikaansaamiseksi. Kuormituksen aikanakin tasaisena pysyvä kiertonopeus mahdollistaa tarkan viimeistelylajin.

Pehmennetty käynnisty

Käynnistysnykäyksen vaimennus lisää turvallisuutta pehmentämällä käynnistystä.

KOKOAMINEN

VARO:

- Varmista aina ennen koneelle tehtävien toimenpiteiden tekemistä, että kone on sammutettu ja irrotettu pistorasiasta.

Sivukädensijan (apukahvan) ja suojuksen kiinnittäminen (Kuva 3 ja 4)

VARO:

- Varmista aina, että sivukahva asennetaan kunnolla ennen käyttöä.

Kiinnitä suojuks ja ruuvaa sitten sivukädensija tiukasti kiinni koneeseen. Sivukädensija ja suojuks voidaan kiinnittää koneen kummalle puolelle tahansa.

Hiomalaikan kiinnittäminen ja irrottaminen

(Kuva 5 ja 6)

Aseta kumilevy karalle. Sovita hiomalaikka kumilevyn päälle ja ruuvaa lukkomutteri karaan.

Lukkomutteri kiristetään pitämällä avaimella telasta kiinni niin, että se ei voi pyöriä, ja sen jälkeen kiristämällä se tiukasti myötäpäivään lukkomutteriavaimella.

Hiomalaikka irrotetaan tekemällä kiinnitystoimet päinvas-
taisessa järjestyksessä.

KONEEN KÄYTTÄMINEN

Hiominen (Kuva 7)

VARO:

- Käytä työskentelyn aikana aina suojalaseja tai kasvosuojusta.
- Älä koskaan käytä konetta ilman hiomalaikkaa. Tämä voi vahingoittaa laippaa vakavasti.

Pidä koneesta kunnolla kiinni. Kytke koneen virta päälle ja soviita sitten hiomislaikka työkappaleeseen.

Normaalisti hiomislaikkaa pidetään noin 15 asteen kulmassa työkappaleen pintaan nähden. Käytä vain hieman voimaa. Liika voiman käyttö johtaa huonoon työtulokseen ja hiomislaikan ennenaikaiseen kulumiseen.

HUOLTO

VARO:

- Varmista aina ennen tarkistus- ja kunnossapitotoita, että kone on sammutettu ja irrotettu pistorasiasta.

Harjahiiltien vaihtaminen (Kuva 8 ja 9)

Irrota ja tarkista harjahiilet säännöllisesti. Vaihda ne, kun ne ovat kuluneet rajamerkkiin saakka. Pidä harjahiilet puhtaina ja vapaina liukumaan pitimissään. Molemmat harjahiilet tulee vaihtaa kerralla. Käytä vain keskenään samanlaisia harjahiiliä.

Irrota harjanpitimen kannet ruuvitaitalla. Irrota kuluneet harjahiilet, aseta uudet paikalleen ja kiinnitä harjanpitimen kannet.

Jos haluat varmistaa tuotteen TURVALLISUUDEN ja LUOTETTAVUUDEN, korjaukset, muu huolto tai säädöt tulee suorittaa Makitan valtuuttamassa huoltamossa tai tehtaan huoltokeskuksessa käyttäen vain Makitan varosia.

LISÄVARUSTEET

VARO:

- Näitä lisävarusteita ja -laitteita suositellaan käytettäväksi tässä ohjekirjassa mainitun Makitan koneen kanssa. Minkä tahansa muun lisävarusteen tai -laitteen käyttäminen voi aiheuttaa loukkaantumisvaaran. Käytä lisävarusteita ja -laitteita vain niiden käyttötarkoituksen mukaisesti.

Jos tarvitset apua tai yksityiskohtaisempia tietoja seuraavista lisävarusteista, ota yhteys paikalliseen Makitan huoltoon.

- Kumilevy
- Hiomalaiikka
- Lukkomutteri
- Ruuviavain 17
- Lukkomutteriavain 28

ENG102-3

Malli GV7000C

Melutaso

Tyypillinen A-painotettu melutaso normin EN60745 mukaan on:

Äänenpainetaso (L_{pA}): 81 dB (A)

Äänen tehotaso (L_{WA}): 92 dB (A)

Epävarmuus (K): 3 dB (A)

Käytä kuulosuojaimia

ENG210-4

Tärinä

Tärinän kokonaisarvo (triaksiaalinen vektorisumma) normin EN60745 on:

Työmoodi: laikan hiominen

Tärinäsäteily ($a_{h, DS}$): 5,5 m/s²

Epävarmuus (K): 1,5 m/s²

Jos konetta käytetään muihin sovelluksiin, värähtelyn emissioarvot saattavat olla erilaiset.

ENG901-1

- Ilmoitettu tärinäpäästöarvo on mitattu vakioestimene-
telmän mukaan, ja sitä voidaan käyttää työkalujen ver-
tailuun keskenään.
- Ilmoitettua tärinäpäästöarvoa voidaan käyttää myös
altistumisen alustavan arviointiin.

VAROITUS:

- Työkalun käytönaikainen tärinäpäästö voi poiketa ilmoi-
tetusta päästöarvosta työkalun käyttötavan mukaan.
- Muista tutustua käyttäjän suojelemiseen tarkoitettuihin
turvallisuustoimenpiteisiin, jotka perustuvat todellisiin
käyttöolosuhteisiin (ottaen huomioon kaikki toimintajak-
son osat, kuten työkalun sammuttaminen ja sen käynti
joutokäynnillä, liipaisuajan lisäksi).

Vain Euroopan maat

EC-yhdenmukaisuusjulistus

Makita Corporation julistaa vastuullisen valmistajan ominaisuudessa, että seuraava/seuraavat Makita-kone/-koneet:

Koneen nimi: Elektroninen pystyhiomakone
Mallinumero/tyyppi: GV7000C

ovat sarjatuotteita ja

**Yhdenmukainen seuraavien eurooppalaisten direktii-
vien kanssa:**

98/37/EC:n kanssa 28.joulukuuta 2009 saakka
ja sen jälkeen 2006/42/EC:n kanssa alkaen
29.joulukuuta 2009

Ja ne on valmistettu seuraavien standardien tai standar-
doitujen asiakirjojen mukaisesti:

EN60745

Teknillisestä asiakirjoilla todistamisesta vastaa valtuutta-
mamme edustaja Euroopassa, joka on:

Makita International Europe Ltd.
Michigan Drive, Tongwell,
Milton Keynes, MK15 8JD, England

30.tammikuuta 2009



Tomoyasu Kato
Johtaja

Makita Corporation
3-11-8, Sumiyoshi-cho,
Anjo, Aichi, JAPAN

Περιγραφή γενικής άποψης

1 Σκανδάλη διακόπτης	6 Κοχλίας κλειδώματος	11 Κλειδί
2 Μπουτόν σφαλίσματος	7 Αποξυστικός δίσκος	12 Οριακό μαρκάρισμα
3 Καντράν ρύθμισης ταχύτητας	8 Ελαστικό υπόθεμα	13 Καπάκι θήκης καρβουνάκι
4 Κάλυμμα	9 Αξόνιο	14 Κατσαβίδι
5 Πλάγια λαβή	10 Κλειδί κοχλία κλειδώματος	

ΤΕΧΝΙΚΑ ΧΑΡΑΚΤΗΡΙΣΤΙΚΑ

Μοντέλο	GV7000	GV7000C
Διάμετρος δίσκου λείανσης.....	180 χιλ.	180 χιλ.
Σπείρωμα ατράκτου	M14	M14
Ταχύτητα χωρίς φορτίο (n_0) / Ονομαστική ταχύτητα (n).....	4.700 (λεπ ⁻¹)	2.500–4.700 (λεπ ⁻¹)
Ολικό μήκος	210 χιλ.	210 χιλ.
Βάρος καθαρό	2,1 Χγρ.	2,1 Χγρ.

- Λόγω του συνεχιζόμενου προγράμματος έρευνας και ανάπτυξης, οι παρούσες προδιαγραφές υπόκεινται σε αλλαγή χωρίς προειδοποίηση.
- Τα τεχνικά χαρακτηριστικά μπορεί να διαφέρουν από χώρα σε χώρα.
- Βάρος σύμφωνα με διαδικασία ΕΡΤΑ 01/2003

Προοριζόμενη χρήση

Το εργαλείο προορίζεται για λείανση μεγάλων επιφανειών από ξύλο, πλαστικών και μεταλλικών υλικών καθώς και βαμμένων επιφανειών.

Ρευματοδότηση

Το μηχανήμα πρέπει να συνδέεται μόνο σε παροχή ρεύματος της ίδιας τάσης με αυτή που αναφέρεται στην πινακίδα κατασκευαστού και μπορεί να λειτουργήσει μόνο με εναλλασσόμενο μονοφασικό ρεύμα. Τα μηχανήματα αυτά έχουν διπλή μόνωση σύμφωνα με τα Ευρωπαϊκά Πρότυπα και κατά συνέπεια, μπορούν να συνδεθούν σε ακροδότες χωρίς σύρμα γείωσης.

GEA010-1

Γενικές προειδοποιήσεις ασφαλείας για το ηλεκτρικό εργαλείο

⚠ ΠΡΟΕΙΔΟΠΟΙΗΣΗ Διαβάστε όλες τις προειδοποιήσεις ασφαλείας και όλες τις οδηγίες. Η μη τήρηση των προειδοποιήσεων και οδηγιών ενδέχεται να καταλήξει σε ηλεκτροπληξία, πυρκαγιά ή/και σοβαρό τραυματισμό.

Φυλάξτε όλες τις προειδοποιήσεις και τις οδηγίες για μελλοντική παραπομπή.

ΠΡΟΕΙΔΟΠΟΙΗΣΕΙΣ ΑΣΦΑΛΕΙΑΣ ΔΙΣΚΟΥ ΓΥΑΛΙΣΜΑΤΟΣ

GEB036-3

Προειδοποιήσεις ασφάλειας κοινές για λειαντικές λειτουργίες:

1. Αυτό το ηλεκτρικό εργαλείο προορίζεται για λειτουργία ως λειαντήρας. Διαβάστε όλες τις προειδοποιήσεις ασφαλείας, οδηγίες, εικονογραφίες και προδιαγραφές που παρέχονται με αυτό το ηλεκτρικό εργαλείο. Αμέλεια να ακολουθησετε όλες τις οδηγίες που αναγράφονται παρακάτω μπορεί να έχει ως αποτέλεσμα ηλεκτροπληξία, φωτιά και/ή προσωπικό τραυματισμό.

2. **Λειτουργίες όπως τρόχισμα, ξύσιμο συρμάτων, στίλβωμα ή κόψιμο δεν συνιστάται να εκτελούνται με αυτό το ηλεκτρικό εργαλείο.** Λειτουργίες για τις οποίες το ηλεκτρικό αυτό εργαλείο δεν έχει σχεδιαστεί μπορεί να δημιουργήσουν κίνδυνο και να προκαλέσουν προσωπικό τραυματισμό.
3. **Μη χρησιμοποιείτε εξαρτήματα που δεν είναι ειδικά σχεδιασμένα και συνιστώμενα από τον κατασκευαστή του εργαλείου.** Απλώς και μόνο επειδή το εξάρτημα μπορεί να προσαρτηθεί στο εργαλείο, αυτό δεν εξασφαλίζει ασφαλή λειτουργία.
4. **Η αναγραφόμενη ταχύτητα του εξαρτήματος πρέπει να είναι τουλάχιστον ίση με την μέγιστη ταχύτητα που είναι σημειωμένη στο ηλεκτρικό εργαλείο.** Εξαρτήματα που λειτουργούν ταχύτερα από την αναγραφόμενη ταχύτητα τους μπορεί να σπάσουν και να εκτοξευθούν.
5. **Η εξωτερική διάμετρος και το πάχος του εξαρτήματός σας πρέπει να είναι μέσα στα όρια ικανότητας του εργαλείου σας.** Εξαρτήματα μη σωστού μεγέθους δεν μπορούν να επιτηρηθούν ή να ελεγχθούν επαρκώς.
6. **Το μέγεθος στελέχους των βάσεων υποστήριξης ή οποιοδήποτε άλλο εξαρτήματος πρέπει να εφαρμόζει στον άξονα του ηλεκτρικού εργαλείου.** Εξαρτήματα με τρύπες στελεχών που δεν ταιριάζουν με τον εξοπλισμό εγκατάστασης του ηλεκτρικού εργαλείου θα λειτουργούν χωρίς ισορροπία, θα δονούνται υπερβολικά και μπορεί να προκαλέσουν απώλεια ελέγχου.
7. **Μη χρησιμοποιείτε εξαρτήματα που έχουν ζημιές.** Πριν από κάθε χρήση ελέγχετε το εξάρτημα όπως τις βάσεις υποστήριξης για ρωγμές, σχίσμο ή υπερβολική φθορά. Εάν το ηλεκτρικό εργαλείο ή το εξάρτημα πέσει κάτω, ελέγξτε το για ζημιές ή προσαρμόστε ένα καλό εξάρτημα. Μετά τον έλεγχο και την προσαρμογή ενός εξαρτήματος, απομακρυνθείτε εσεις και οι γύρω σας από το επίπεδο περιστροφής του εξαρτήματος και λειτουργήστε το ηλεκτρικό εργαλείο σε μέγιστη ταχύτητα χωρίς φορτίο για ένα λεπτό. Εξαρτήματα με ζημιές θα τεθούν κανονικά εκτός λειτουργίας κατά τον χρόνο αυτής της δοκιμής.

8. **Φοράτε προσωπικό προστατευτικό εξοπλισμό. Ανάλογα με την εφαρμογή, χρησιμοποιείτε ασπίδα προσώπου, προστατευτικά ματιών ή γυαλιά ασφάλειας. Ανάλογα με την περίπτωση, Φορέστε μάσκα σκόνης, ωτασπίδες, γάντια και ποδιά εργαστηρίου με ικανότητα σταματήματος μικρών τεμαχιδίων. Η προστασία ματιών πρέπει να είναι σε θέση να σταματάει ιπτάμενα σωματίδια παραγόμενα από διάφορες λειτουργίες.** Η μάσκα σκόνης ή αναπνευστήρας πρέπει να είναι ικανή να φιλτράρει σωματίδια παραγόμενα από τις λειτουργίες σας. Παρατεταμένη έκθεση σε θόρυβο υψηλής συχνότητας μπορεί να προκαλέσει απώλεια ακοής.
 9. **Κρατάτε τους γύρω σας σε μία ασφαλή απόσταση από τον χώρο εργασίας. Οποιοσδήποτε εισερχόμενος στον χώρο εργασίας πρέπει να φορά προσωπικό προστατευτικό εξοπλισμό.** Τεμαχίδια από το αντικείμενο εργασίας ή από ένα σπασμένο εξάρτημα μπορεί να εκτιναχθούν μακριά και να προκαλέσουν τραυματισμό πέραν της άμεσης περιοχής λειτουργίας.
 10. **Κρατάτε το ηλεκτρικό εργαλείο μόνο από τις μονωμένες επιφάνειες κρατητήματος, όταν εκτελείτε μία εργασία όπου το εξάρτημα κοπής μπορεί να έρθει σε επαφή με κρυμμένες καλωδιώσεις ή και με το δικό του καλώδιο.** Το εξάρτημα κοπής που έρχεται σε επαφή με ένα ηλεκτροφόρο καλώδιο μπορεί να κάνει τα εκτεθειμένα μεταλλικά μέρη του ηλεκτρικού εργαλείου ηλεκτροφόρα και να προκαλέσει ηλεκτροπληξία στον χρήστη.
 11. **Κρατήστε το καλώδιο μακριά από το περιστρεφόμενο εξάρτημα.** Εάν χάσετε τον έλεγχο, το καλώδιο μπορεί να κοπεί ή να πιαστεί και το χέρι σας μπορεί να τραβηχτεί μέσα στο περιστρεφόμενο εξάρτημα.
 12. **Ποτέ μη τοποθετείτε το ηλεκτρικό εργαλείο κάτω μέχρι το εξάρτημα να έχει σταματήσει τελείως.** Το περιστρεφόμενο εξάρτημα μπορεί να πιάσει την επιφάνεια και να τραβήξει το ηλεκτρικό εργαλείο έξω από τον έλεγχο σας.
 13. **Μη λειτουργείτε το ηλεκτρικό εργαλείο ενώ το μεταφέρετε στο πλευρό σας.** Τυχαία επαφή με το περιστρεφόμενο εξάρτημα μπορεί να προκαλέσει πιάσιμο στα ρούχα σας και να τραβήξει το εξάρτημα μέσα στο σώμα σας.
 14. **Καθαρίζετε τακτικά τις εξόδους αερισμού του ηλεκτρικού εργαλείου.** Ο ανεμιστήρας του κινητήρα θα ταβήξει την σκόνη μέσα στο περιβλήμα και υπερβολική συγκέντρωση ριζισμάτων μετάλλου μπορεί να προκαλέσει ηλεκτρικούς κινδύνους.
 15. **Μη λειτουργείτε το ηλεκτρικό εργαλείο κοντά σε εύφλεκτα υλικά.** Σπινθήρες μπορεί να αναφλέξουν τα υλικά αυτά.
 16. **Μη χρησιμοποιείτε εξάρτηματα που χρειάζονται ψυκτικά υγρά.** Η χρήση νερού ή άλλων ψυκτικών υγρών μπορεί να προκαλέσουν ηλεκτροπληξία ή σοκ.
 17. **Οπισθολάκτισμα και σχετικές προειδοποιήσεις**
 Το οπισθολάκτισμα είναι μια ξαφνική αντίδραση σε μία εμπλοκή της περιστρεφόμενης βάσης υποστήριξης ή οποιοδήποτε άλλου εξαρτήματος. Μία εμπλοκή προκαλεί γρήγορο σταμάτημα του περιστρεφόμενου εξαρτήματος το οποίο με την σειρά του αναγκάζει το μη ελεγχόμενο ηλεκτρικό εργαλείο να κινηθεί προς την αντίθετη διεύθυνση της περιστροφής του εξαρτήματος στο σημείο της εμπλοκής. Το οπισθολάκτισμα είναι αποτέλεσμα κακής χρήσης του ηλεκτρικού εργαλείου και/ή εσφαλμένων χειρισμών ή συνθηκών και μπορεί να αποφευχθεί με τις κατάλληλες προφυλάξεις όπως δίδονται παρακάτω.
 - a) **Κρατάτε σταθερά το ηλεκτρικό εργαλείο και τοποθετήστε το σώμα σας και τον βραχίονα έτσι ώστε να ανθίστανται στις δυνάμεις του οπισθολακτίσματος. Πάντοτε χρησιμοποιείτε την βοηθητική λαβή, εάν παρέχεται για μέγιστο έλεγχο οπισθολακτίσματος ή αντίδρασης ροπής κατά το ξεκίνημα.** Ο χειριστής μπορεί να ελέγχει τις αντιδράσεις ροπής ή δυνάμεις οπισθολακτίσματος, εάν έχουν ληφθεί οι κατάλληλες προφυλάξεις.
 - b) **Ποτέ μη βάλετε το χέρι σας κοντά στο περιστρεφόμενο εξάρτημα.** Το εξάρτημα μπορεί να οπισθολακτίσει στο χέρι σας.
 - c) **Μη τοποθετήσετε το σώμα σας στην περιοχή όπου το ηλεκτρικό εργαλείο θα κινηθεί εάν συμβεί οπισθολάκτισμα.** Το οπισθολάκτισμα θα οδηγήσει το εργαλείο σε διεύθυνση αντίθετη της κίνησης του τροχού στο σημείο εμπλοκής.
 - d) **Χρησιμοποιείτε πολύ προσοχή όταν εργάζεστε σε γωνίες, αιχμηρές άκρες κλπ. Αποφεύγετε αναπηδήσεις και εμπλοκές του εξαρτήματος.** Γωνίες, αιχμηρές άκρες ή αναπηδήσεις έχουν τάση να προκαλούν εμπλοκή στο περιστρεφόμενο εξάρτημα και προκαλούν απώλεια ελέγχου και οπισθολάκτισμα.
 - e) **Μη προσαρμόζετε λάμα αλυσοπρίονου για ξυλογλυπτική ή λάμα πριονιού με δόντια.** Τέτοιες λάμες προκαλούν συχνό οπισθολάκτισμα και απώλεια ελέγχου.
- Προειδοποιήσεις ασφάλειας ειδικές για λειαντικές εργασίες:**
18. **Μη χρησιμοποιείτε υπερβολικά μεγάλο μεγέθους χαρτί λειαντικού δίσκου.** Ακολουθείτε τις συστάσεις του κατασκευαστή, όταν επιλέγετε χαρτί λείανσης. Μεγάλο χαρτί λείανσης που εξέρχεται από τον δίσκο λείανσης παρουσιάζει κίνδυνο σχισίματος και μπορεί να προκαλέσει εμπλοκή, σχίσσιμο δίσκου ή οπισθολάκτισμα.
 19. **Ελέγχετε προσεκτικά την βάση υποστήριξης για ρωγμές, ζημιές ή παραμόρφωση πριν από την λειτουργία.** Αντικαταστήστε αμέσως βάσεις με ρωγμές, ζημιές ή παραμόρφωση.
 20. **ΠΟΤΕ μη χρησιμοποιείτε το εργαλείο με λάμες για κοπή ξύλου ή άλλες πριονολάμες.** Τέτοιες λάμες όταν χρησιμοποιούνται σε ένα λειαντήρα συχνά προκαλούν λακτίσματα και απώλεια ελέγχου που οδηγούν σε προσωπικό τραυματισμό.
 21. **Κρατάτε το εργαλείο σταθερά.**

22. Κρατάτε τα χέρια μακριά από περιστρεφόμενα μέρη.
23. Βεβαιώνετε ότι ο αποξεστικός δίσκος δεν έρχεται σε επαφή με το τεμάχιο εργασίας πριν ανάψετε τον διακόπτη.
24. Όταν λειάνετε μεταλλικές επιφάνειες, προσέχετε για ιπτάμενους σπινθήρες. Κρατάτε το εργαλείο έτσι ώστε οι σπινθήρες να πετάνονται μακριά από σας και από άλλα πρόσωπα ή εύφλεκτα υλικά.
25. Μην αφήνετε το εργαλείο αναμμένο. Λειτουργείτε το εργαλείο μόνο όταν το κρατάτε στο χέρι.
26. Μην αγγίζετε το τεμάχιο εργασίας αμέσως μετά την λειτουργία. Μπορεί να είναι υπερβολικά καυτό και να προκαλέσει έγκαυμα.
27. Ελέγξτε ότι το τεμάχιο εργασίας είναι καλά υποστηριγμένο.
28. Έχετε υπόψη σας ότι ο τροχός συνεχίζει να περιστρέφεται αφού το εργαλείο έχει σβηστεί.
29. Αυτό το εργαλείο δεν είναι αδιάβροχο, γι αυτό μη χρησιμοποιείτε νερό στην επιφάνεια του εργαλείου.
30. Εξαερίζετε επαρκώς τον χώρο εργασίας σας όταν εκτελείτε λειαντικές εργασίες.
31. Η χρησιμοποίηση αυτού του εργαλείου για να λειάνετε μερικά προϊόντα, χρώματα και ξύλα μπορεί να εκθέσουν τον χρήστη σε σκόνη που περιέχει επικίνδυνες ουσίες. Χρησιμοποιείτε κατάλληλη αναπνευστική προστασία.
32. Πάντοτε βεβαιώνετε ότι το εργαλείο είναι σβηστό και αποσυνδεδεμένο από το ρεύμα πριν εκτελέσετε οποιαδήποτε εργασία στο εργαλείο.
33. Εάν ο χώρος εργασίας είναι εξαιρετικά ζεστός και υγρός, ή πολύ άσχημα μολυσμένος από αβίαση σκόνη, χρησιμοποιήστε ένα βραχυκυκλωτή (30 mA) για να σιγουρέψετε την ασφάλεια του χειριστή.
34. Μη χρησιμοποιήσετε το εργαλείο σε οποιαδήποτε υλικά που περιέχουν άσβεστο.
35. Μερικά υλικά περιέχουν χημικά που μπορεί να είναι τοξικά. Προσέχετε να μην εισπνεύσετε σκόνη και να μην κάνετε δερματική επαφή. Ακολουθείστε τα δεδομένα ασφάλειας του παροχέα υλικών.
36. Πάντοτε χρησιμοποιείτε τη σωστή μάσκα σκόνης / αναπνευστήρα για το υλικό και την εφαρμογή για την οποία εργάζεστε.
37. Βεβαιώνετε ότι τα ανοίγματα εξαερισμού διατηρούνται καθαρά όταν εργάζεστε σε συνθήκες σκόνης. Εάν γίνει απαραίτητο να καθαρίσετε τη σκόνη, πρώτα αποσυνδέστε το εργαλείο από την παροχή ρεύματος (χρησιμοποιείτε μη μεταλλικά αντικείμενα) και αποφύγετε ζημιές στα εσωτερικά μέρη.

ΦΥΛΑΞΕΤΕ ΑΥΤΕΣ ΤΙΣ ΟΔΗΓΙΕΣ.

ΠΡΟΕΙΔΟΠΟΙΗΣΗ:

ΜΗΝ επιτρέψετε το βαθμό άνεσης ή εξοικείωσης με το προϊόν (λόγω επανειλημμένης χρήσης) να αντικαταστήσει την αυστηρή τήρηση των κανόνων ασφαλείας του παρόντος εργαλείου. ΚΑΚΗ ΧΡΗΣΗ ή αμέλεια να ακολουθήσετε τους κανόνες ασφαλείας που διατυπώνονται σ'αυτό το εγχειρίδιο οδηγιών μπορεί να προκαλέσει σοβαρό προσωπικό τραυματισμό.

ΠΕΡΙΓΡΑΦΗ ΛΕΙΤΟΥΡΓΙΑΣ

ΠΡΟΣΟΧΗ:

- Πάντοτε βεβαιώνετε ότι το εργαλείο είναι σβηστό και αποσυνδεδεμένο από το ρεύμα πριν ρυθμίσετε ή ελέγξετε κάποια λειτουργία στο εργαλείο.

Λειτουργία διακόπτη (Εικ. 1)

ΠΡΟΣΟΧΗ:

- Πρωτού συνδέσετε το μηχάνημα στο ρεύμα, πάντοτε ελέγχετε να δείτε ότι ο διακόπτης σκανδάλης ενεργοποιεί κανονικά και επιστρέφει στη θέση "OFF" όταν ελευθερώνεται.
- Ο διακόπτης μπορεί να ασφαλιστεί στη θέση "ON" προς διευκόλυνση του χειριστή στη διάρκεια παρατεταμένης χρήσης. Να είστε προσεκτικοί όταν ασφαλίσετε το εργαλείο στη θέση "ON" και να κρατάτε το εργαλείο σταθερά.

Για να ξεκινήσει το μηχάνημα τραβήξτε τη σκανδάλη διακόπτη. Για να σταματήσει ελευθερώστε τη σκανδάλη διακόπτη.

Για συνεχή λειτουργία, τραβήξτε τη σκανδάλη διακόπτη και μετά σπρώξτε μέσα το κουμπί ασφάλισης.

Για να σταματήσετε το μηχάνημα από τη θέση ασφάλισης, τραβήξτε τη σκανδάλη διακόπτη πλήρως και μετά αφήστε τη.

Καντράν ρύθμισης ταχύτητας (Εικ. 2)

Η ταχύτητα του μηχανήματος μπορεί να αλλάξει γυρίζοντας το καντράν ρύθμισης ταχύτητας σε ένα δεδομένο αριθμό ρύθμισης από το 1 έως το 5.

Υψηλότερη ταχύτητα επιτυγχάνεται όταν το καντράν γυρισθεί προς την κατεύθυνση του νούμερου 5, και χαμηλότερη ταχύτητα επιτυγχάνεται όταν το καντράν γυρισθεί προς την κατεύθυνση του νούμερου 1.

Αναφερθείτε στον παρακάτω πίνακα για την σχέση μεταξύ της ρύθμισης στο καντράν και της κατά προσέγγιση ταχύτητας του μηχανήματος.

Νούμερο	ΣΑΛ (/λεπ)
1	2.500
2	2.800
3	3.500
4	4.200
5	4.700

ΠΡΟΣΟΧΗ:

- Εάν χειρίζεστε το εργαλείο συνεχώς σε χαμηλές ταχύτητες για μεγάλα χρονικά διαστήματα, θα επέλθει υπερφόρτωση και υπερθέρμανση του ηλεκτροκινητήρα.
- Το καντράν ρύθμισης ταχύτητας μπορεί να ρυθμιστεί μεταξύ του 5 και του 1. Μην το πιέζετε να ξεπεράσει το 5 ή το 1, αλλιώς η λειτουργία ρύθμισης της ταχύτητας μπορεί να χαλάσει.

Τα μηχανήματα που είναι εφοδιασμένα με ηλεκτρονικά συστήματα είναι εύκολα στο χειρισμό εξαιτίας των ακόλουθων χαρακτηριστικών.

Ελεγχος σταθερής ταχύτητας

Ηλεκτρονικός έλεγχος ταχύτητας για την επίτευξη σταθερής ταχύτητας. Δυνατότητα επίτευξης ομαλού τελειώματος, επειδή η περιστροφική ταχύτητα διατηρείται σταθερή ακόμη και υπό συνθήκες φορτίου.

Δυνατότητα μαλακού ξεκινήματος

Ασφαλές και μαλακό ξεκίνημα εξαιτίας μειωμένου σοκ εκκίνησης.

ΣΥΝΑΡΜΟΛΟΓΗΣΗ

ΠΡΟΕΙΔΟΠΟΙΗΣΗ:

- Πάντοτε βεβαιώνετε ότι το εργαλείο είναι σβηστό και αποσυνδεδεμένο από το ρεύμα πριν εκτελέσετε οποιαδήποτε εργασία με το εργαλείο.

Τοποθέτηση πλάγιας λαβής (βοηθητική λαβή) & κάλυμμα (Εικ. 3 και 4)

ΠΡΟΣΟΧΗ:

- Να ελέγχετε πάντα εάν η πλευρική λαβή έχει τοποθετηθεί με ασφάλεια, πριν από τη χρήση.

Τοποθετήστε το κάλυμμα, κατόπιν βιδώστε την πλάγια λαβή στο εργαλείο με ασφάλεια. Η πλάγια λαβή και το κάλυμμα μπορούν να τοποθετηθούν είτε στη μία είτε στην άλλη πλευρά του εργαλείου.

Τοποθέτηση ή απομάκρυνση του λειαντικού δίσκου (Εικ. 5 και 6)

Τοποθετήστε το ελαστικό υπόθεμα στην άτρακτο. Βιδώστε τον κοχλία κλειδώματος στην άτρακτο.

Για να σφίξετε το περικόχλιο ασφάλισης, συγκρατήστε τον άξονα μετάδοσης της κίνησης με το κλειδί ώστε να μην είναι εφικτή η περιστροφή του, στη συνέχεια χρησιμοποιήστε το κλειδί του περικόχλιου ασφάλισης και σφίξτε κατάλληλα στρέφοντας δεξιόστροφα.

Για να απομακρύνετε τον λειαντικό δίσκο, κάνετε την διαδικασία τοποθέτησης αντίστροφα.

ΛΕΙΤΟΥΡΓΙΑ

Λειτουργία αμμογυαλισματος (Εικ. 7)

ΠΡΟΣΟΧΗ:

- Πάντοτε να φοράτε γυαλιά προστασίας ή μάσκα προσώπου κατά τη διάρκεια της λειτουργίας.
- Ποτέ μη λειτουργείτε το μηχανήμα χωρίς τον λειαντικό δίσκο. Ίσως χτυπήσετε σοβαρά το υπόθεμα.

Κρατήστε το εργαλείο σταθερό. Θέστε το εργαλείο σε λειτουργία και στη συνέχεια εφαρμόστε τον δίσκο λείανσης στο τεμάχιο εργασίας.

Γενικώς, κρατήστε τον δίσκο λείανσης υπό γωνία 15 μοιρών περίπου προς την επιφάνεια του τεμαχίου εργασίας. Ασκήστε ελαφρά πίεση μόνο. Η υπερβολική πίεση θα οδηγήσει σε κακή απόδοση και πρόωρη φθορά του δίσκου λείανσης.

ΣΥΝΤΗΡΗΣΗ

ΠΡΟΣΟΧΗ:

- Πάντοτε βεβαιώνετε ότι το εργαλείο είναι σβηστό και αποσυνδεδεμένο από το ρεύμα πριν επιχειρήσετε να εκτελέσετε επιθεώρηση ή συντήρηση.

Αντικατάσταση ψηκτρών άνθρακα (Εικ. 8 και 9)

Αφαιρείτε και ελέγχετε τις ψήκτρες άνθρακα τακτικά. Αντικαθιστάτε τις όταν φθαρούν μέχρι το σημάδι ορίου. Κρατάτε τις ψήκτρες άνθρακα καθαρές και ελεύθερες να γλιστρούν στις θήκες. Και οι δύο ψήκτρες άνθρακα πρέπει να αντικαθίστανται ταυτόχρονα. Χρησιμοποιείτε μόνο ταυτόσημες ψήκτρες άνθρακα.

Χρησιμοποιήστε ένα κατσαβίδι για να αφαιρέσετε τα καπάκια των θηκών των ψηκτρών. Αφαιρέστε τις φθαρμένες ψήκτρες, βάλτε τις νέες και ασφαλίστε τα καπάκια των θηκών των ψηκτρών.

Για διατήρηση της ΑΣΦΑΛΕΙΑΣ και ΑΞΙΟΠΙΣΤΙΑΣ του προϊόντος, τυχόν επισκευές, συντήρηση ή ρύθμιση θα πρέπει να εκτελούνται από εξουσιοδοτημένα κέντρα σέρβις ή κέντρα εργοστασιακού σέρβις της Makita, χρησιμοποιώντας πάντα ανταλλακτικά εξαρτήματα της Makita.

ΕΞΑΡΤΗΜΑΤΑ

ΠΡΟΣΟΧΗ:

- Αυτά τα εξαρτήματα ή προσαρτήματα συνιστώνται για χρήση με το εργαλείο Μάκιτα που περιγράφηκε στις οδηγίες αυτές. Η χρήση οτιδήποτε άλλων εξαρτημάτων ή προσαρτημάτων μπορεί να προκαλέσει κίνδυνο τραυματισμού σε άτομα. Χρησιμοποιείτε τα εξαρτήματα ή προσαρτήματα μόνο για την χρήση που προορίζονται.

Εάν χρειάζεστε οποιαδήποτε βοήθεια για περισσότερες πληροφορίες σε σχέση με αυτά τα εξαρτήματα, απευθυνθείτε στο τοπικό σας κέντρο εξυπηρέτησης Μάκιτα.

- Ελαστικό υπόθεμα
- Αποξυστικός δίσκος
- Κοχλίας κλειδώματος
- Κλειδί 17
- Κλειδί κοχλία κλειδώματος 28

Για Μοντέλα GV7000C**Θορύβος**

Το τυπικό Α επίπεδο μετρημένου θορύβου καθορίζεται σύμφωνα με το EN60745:

Επίπεδο πίεσης θορύβου (L_{pA}): 81 dB(A)

Επίπεδο δύναμης ήχου (L_{WA}): 92 dB (A)

Αβεβαιότητα (K): 3 dB (A)

Φοράτε ωτοασπίδες.

ENG210-4

Κραδασμός

Η ολική τιμή δόνησης (άθροισμα τρι-αξονικού διανύσματος) καθορίζεται σύμφωνα με το EN60745:

Είδος εργασίας: δίσκος λείανσης

Εκπομπή δόνησης ($a_{h, DS}$): 5,5 m/s²

Αβεβαιότητα (K): 1,5 m/s²

Εάν το εργαλείο χρησιμοποιείται για άλλες εφαρμογές, το εύρος τιμών των κραδασμών ενδέχεται να είναι διαφορετικό.

ENG901-1

- Η δηλωμένη τιμή εκπομπής κραδασμών έχει μετρηθεί σύμφωνα με την πρότυπη μέθοδο δοκιμής και μπορεί να χρησιμοποιηθεί για τη σύγκριση ενός εργαλείου με άλλο.
- Η δηλωμένη τιμή εκπομπής κραδασμών μπορεί να χρησιμοποιηθεί και στην προκαταρκτική αξιολόγηση έκθεσης.

ΠΡΟΕΙΔΟΠΟΙΗΣΗ:

- Η εκπομπή κραδασμών κατά τη χρήση του ηλεκτρικού εργαλείου σε πραγματικές συνθήκες μπορεί να διαφέρει από τη δηλωμένη τιμή εκπομπής ανάλογα με τον τρόπο χρήσης του εργαλείου.
- Φροντίστε να λάβετε τα κατάλληλα μέτρα προστασίας του χειριστή βάσει υπολογισμού της έκθεσης σε πραγματικές συνθήκες χρήσης (λαμβάνοντας υπόψη όλες τις συνιστώσες του κύκλου λειτουργίας όπως τους χρόνους που το εργαλείο είναι εκτός λειτουργίας και όταν βρίσκεται σε αδρανή λειτουργία πέραν του χρόνου ενεργοποίησης).

Μόνο για χώρες της Ευρώπης**Δήλωση Συμμόρφωσης ΕΚ**

Η Makita Corporation, ως ο υπεύθυνος κατασκευαστής, δηλώνει ότι το/τα ακόλουθο(α) μηχάνημα(τα) της Makita:

Χαρακτηρισμός μηχανήματος: Ηλεκτρονικός δίσκος γυαλίσματος

Αρ. μοντέλου/ Τύπος: GV7000C

είναι εν σειρά παραγωγή και

συμμορφώνονται με τις ακόλουθες Ευρωπαϊκές Οδηγίες:

98/37/ΕΚ έως 28 Δεκεμβρίου 2009 και

ακολούθως με την 2006/42/ΕΚ από 29

Δεκεμβρίου 2009

και κατασκευάζονται σύμφωνα με τα ακόλουθα πρότυπα ή έγγραφα τυποποίησης:

EN60745

Η τεχνική τεκμηρίωση φυλάσσεται από τον εξουσιοδοτημένο εκπρόσωπό μας στην Ευρώπη, δηλαδή τη

Makita International Europe Ltd.

Michigan Drive, Tongwell,

Milton Keynes, MK15 8JD, England (Αγγλία)

30 Ιανουαρίου 2009



Tomoyasu Kato

Διευθυντής

Makita Corporation
3-11-8, Sumiyoshi-cho,
Anjo, Aichi, JAPAN

Makita Corporation
Anjo, Aichi, Japan
884357H992