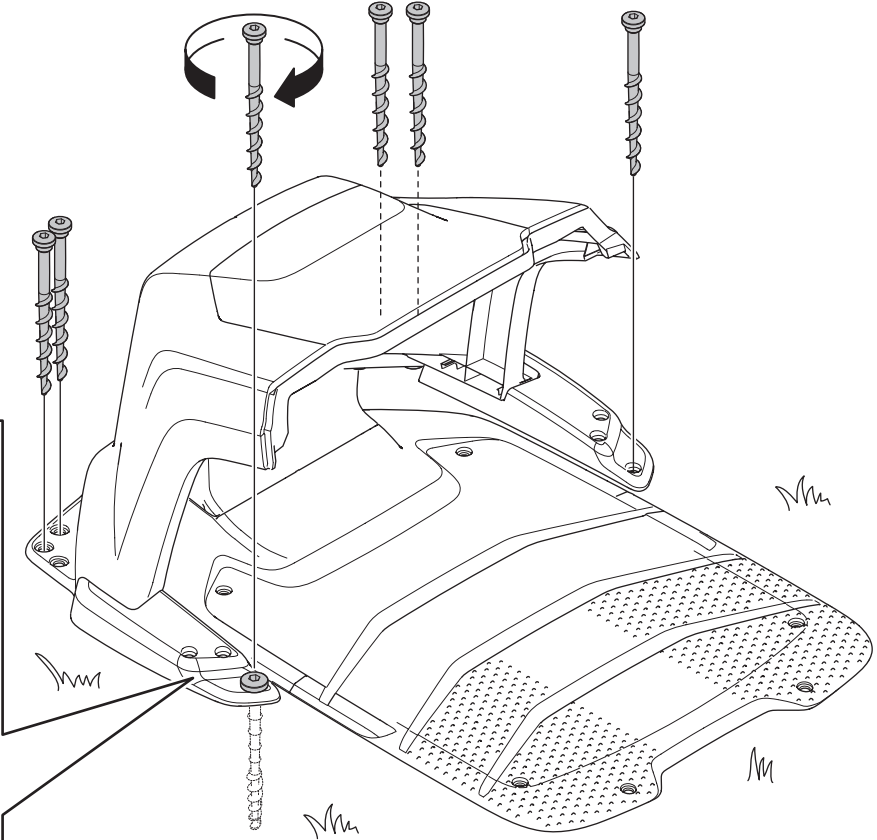
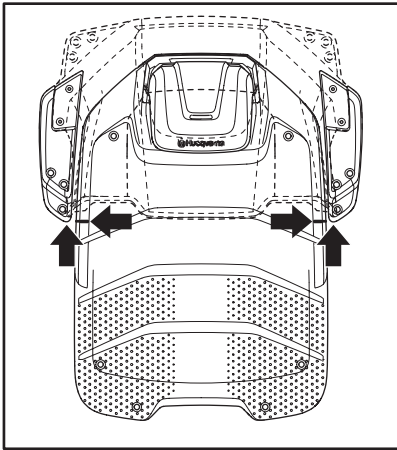
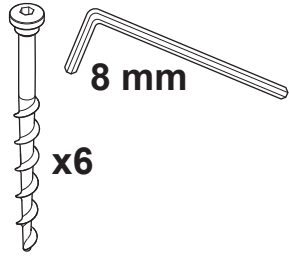
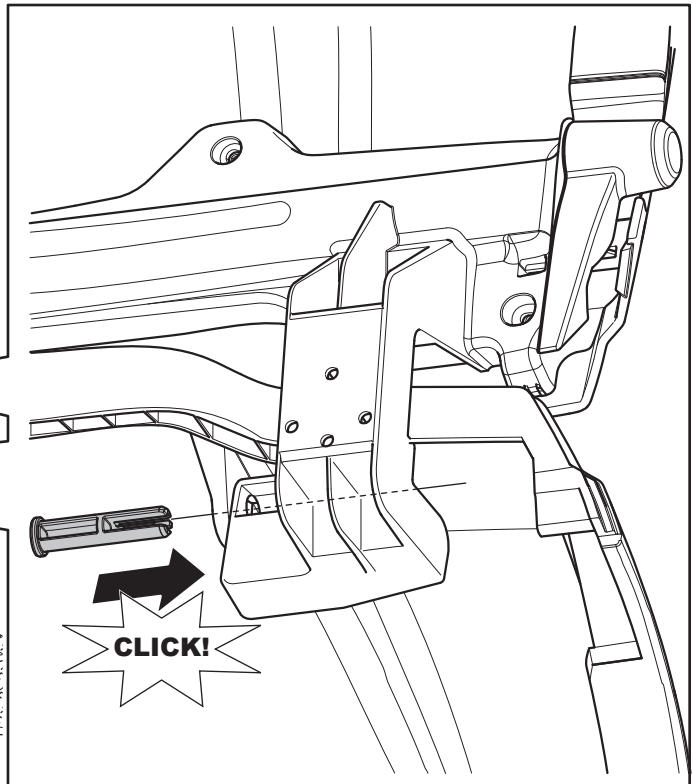
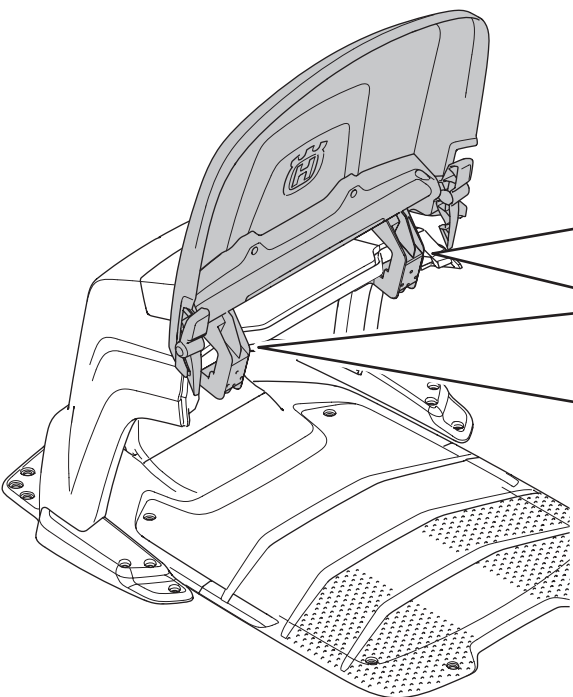
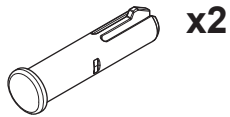
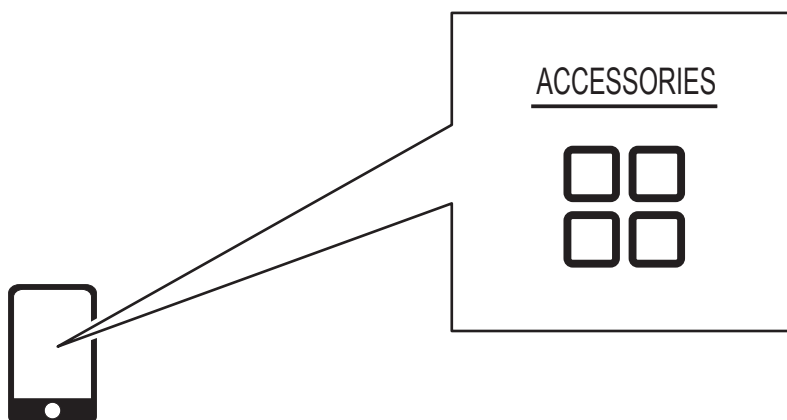
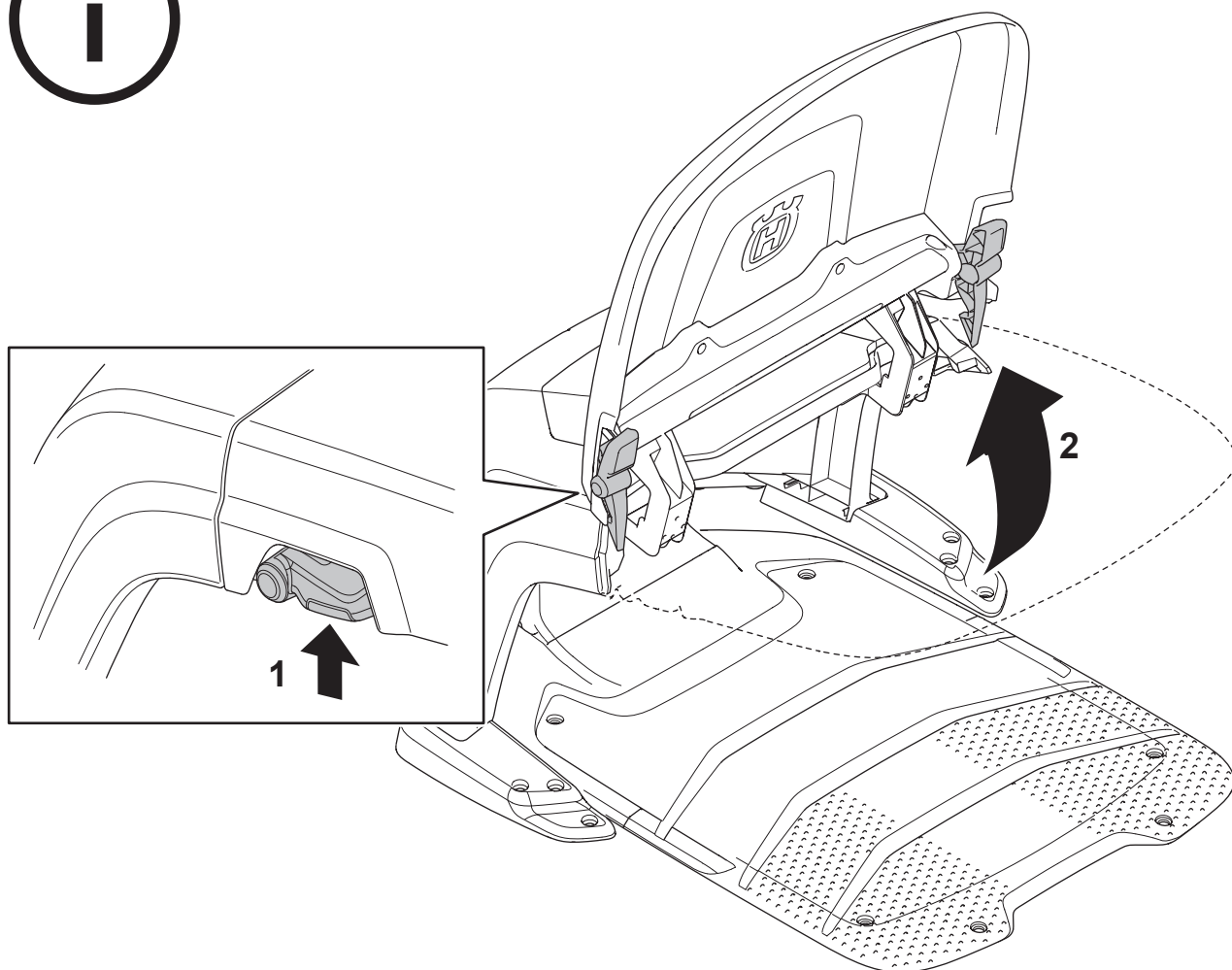


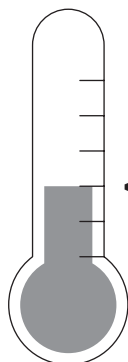
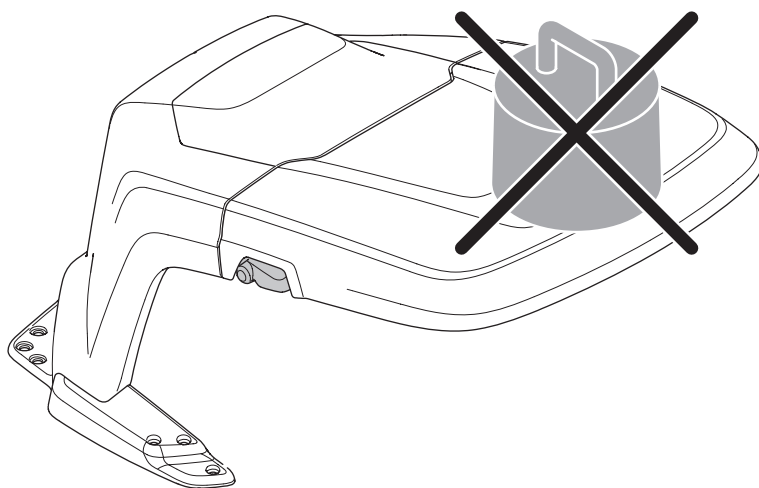
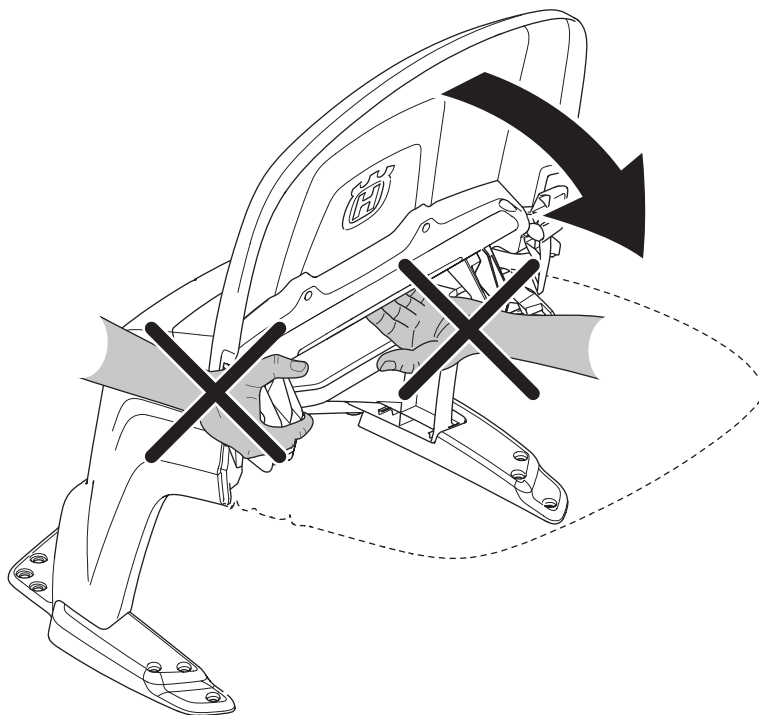
2



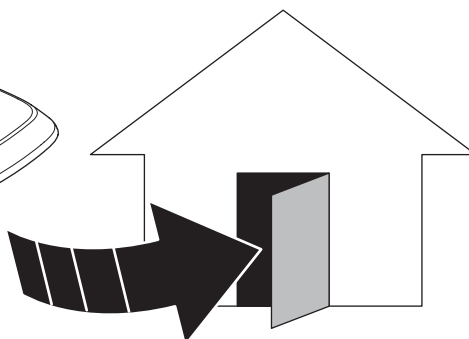
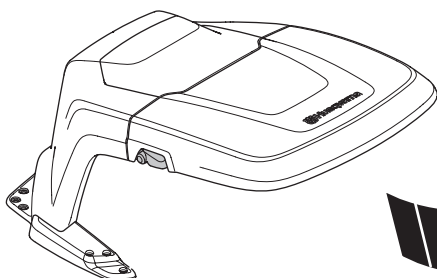
3

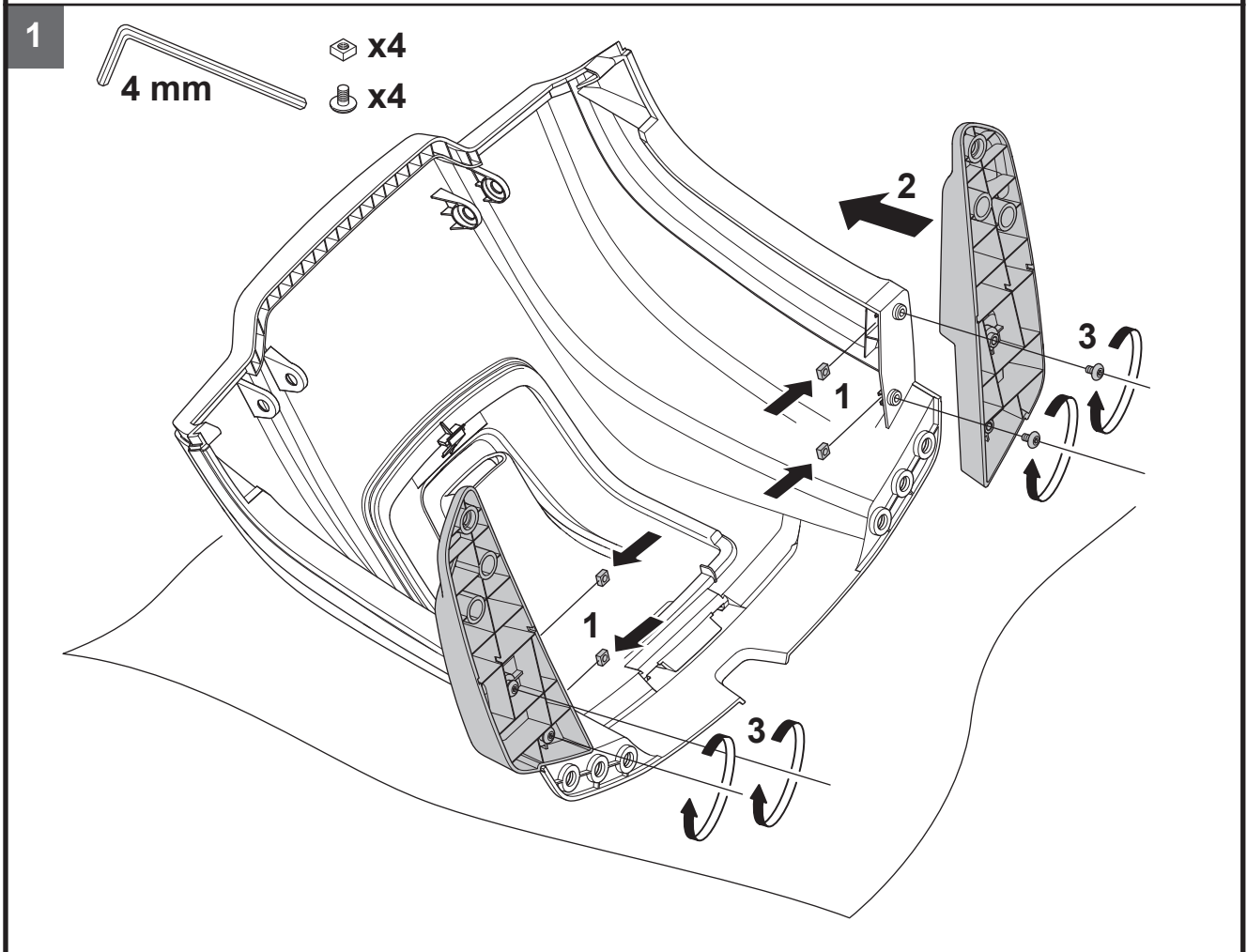
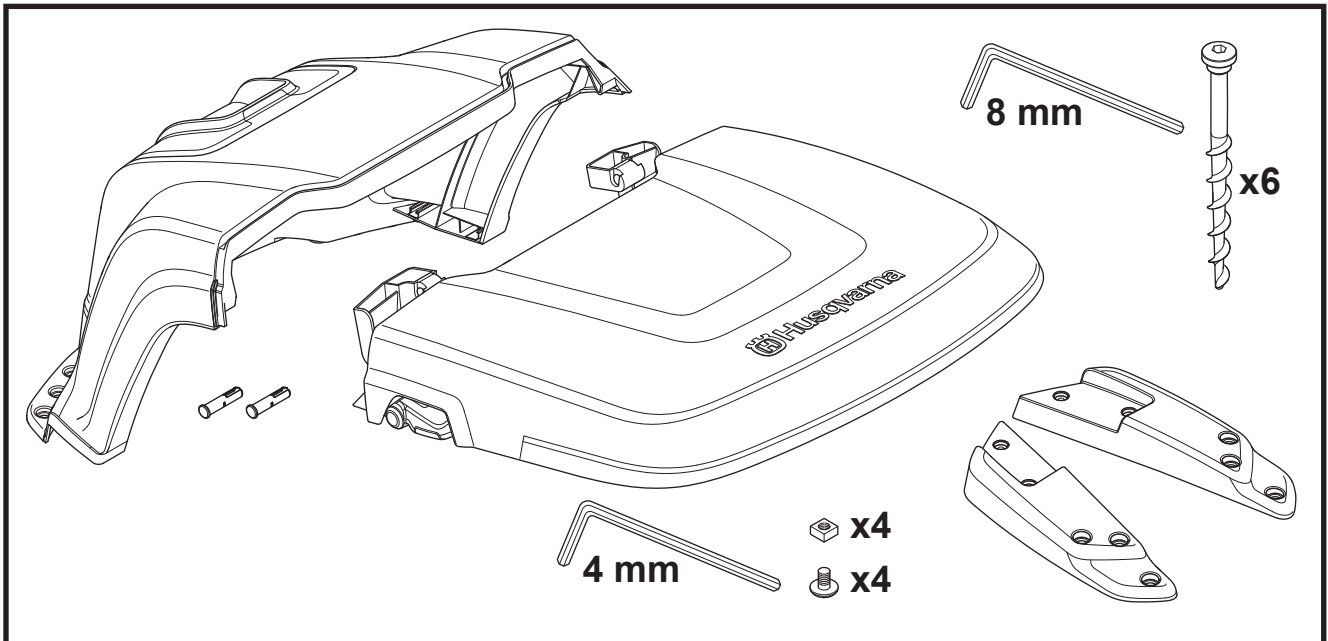




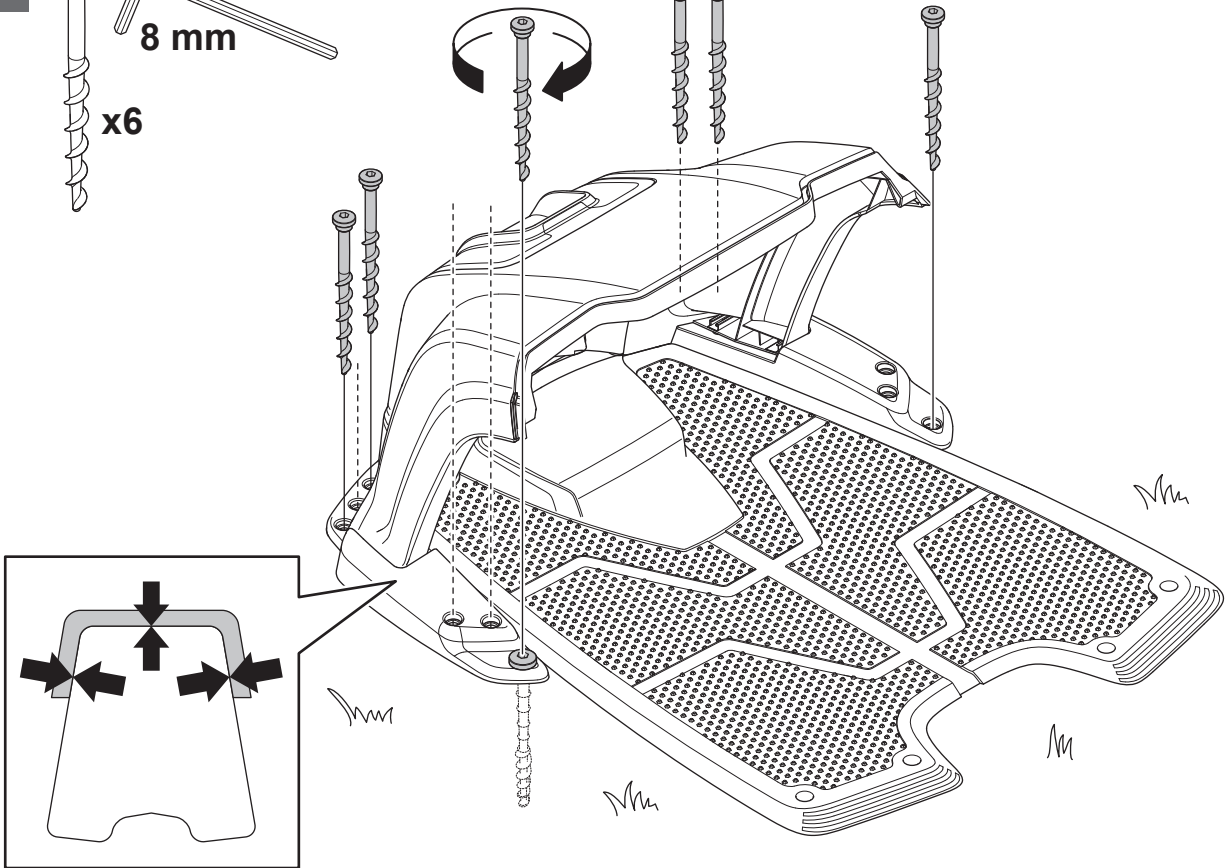
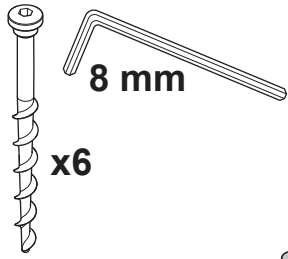


$<0^{\circ}\text{C}$

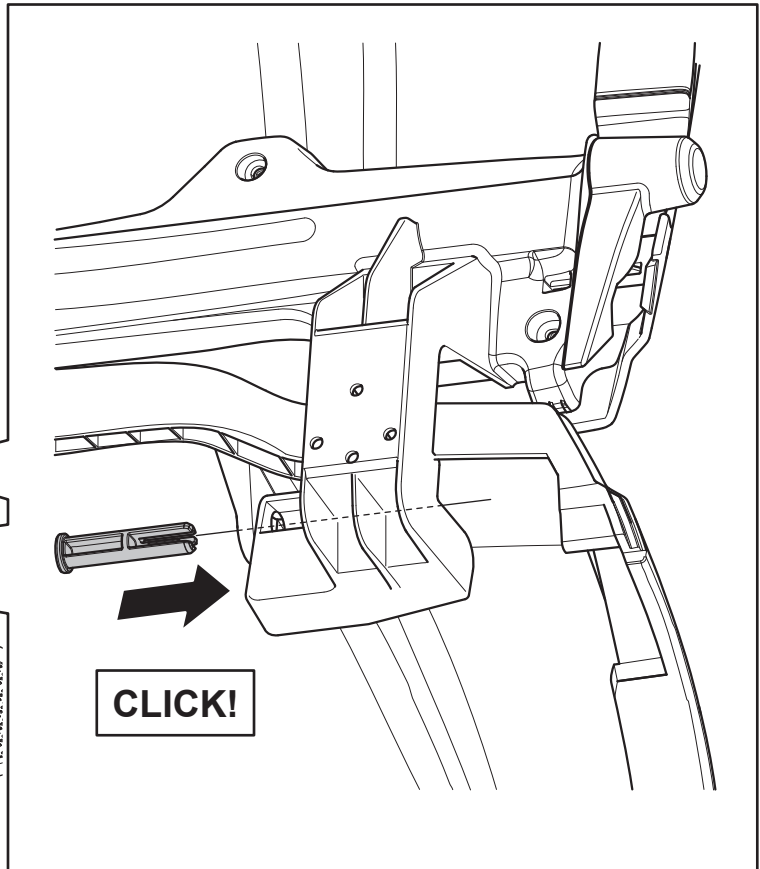
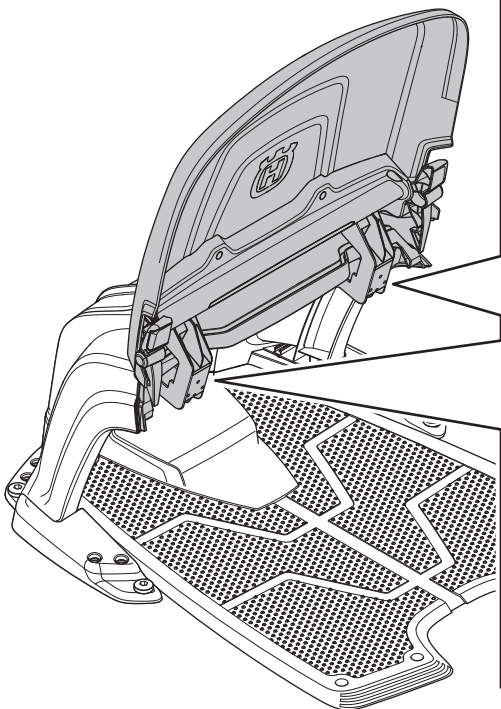
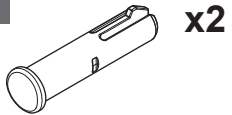


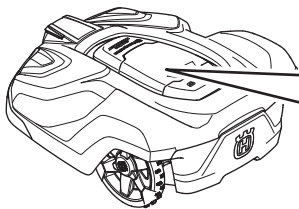
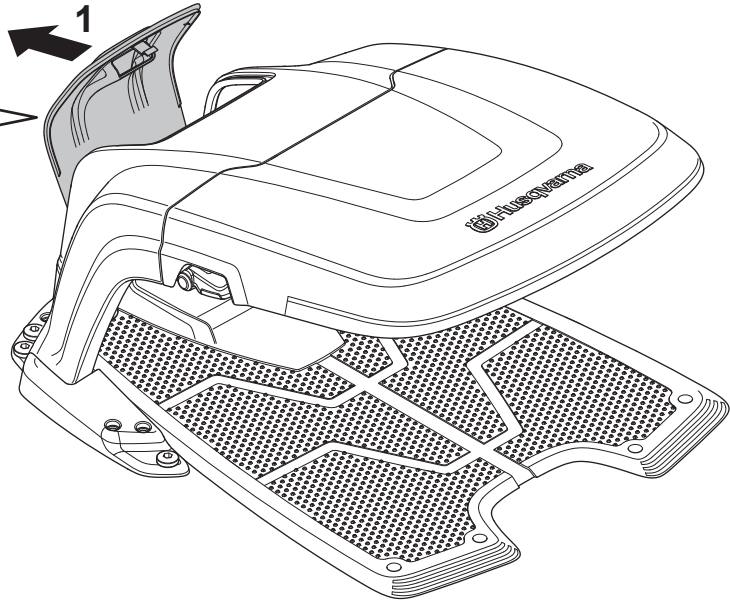
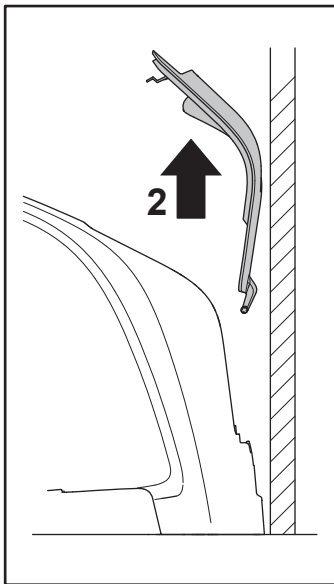
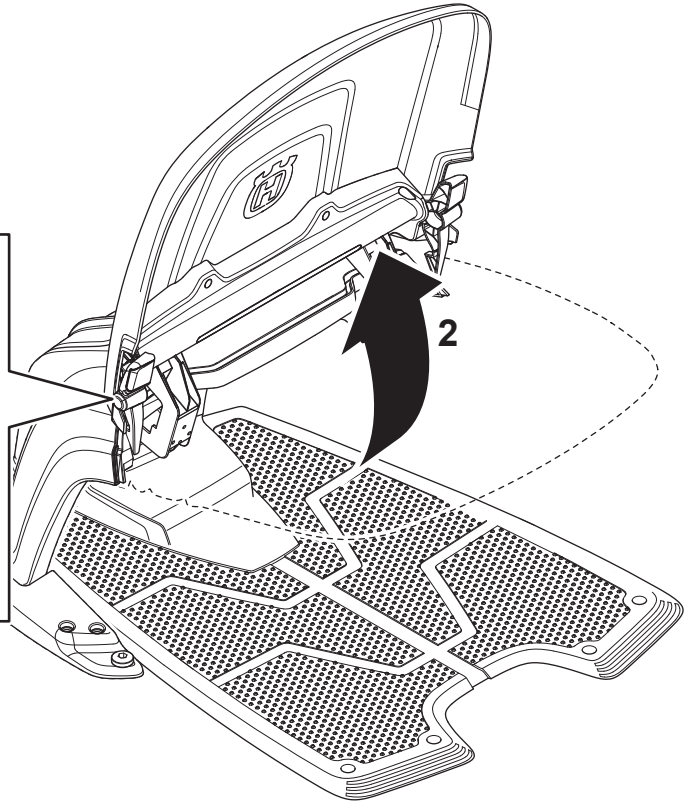
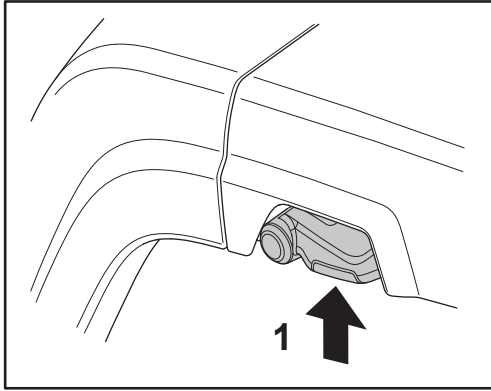


2

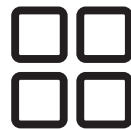


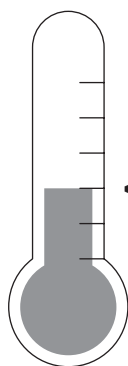
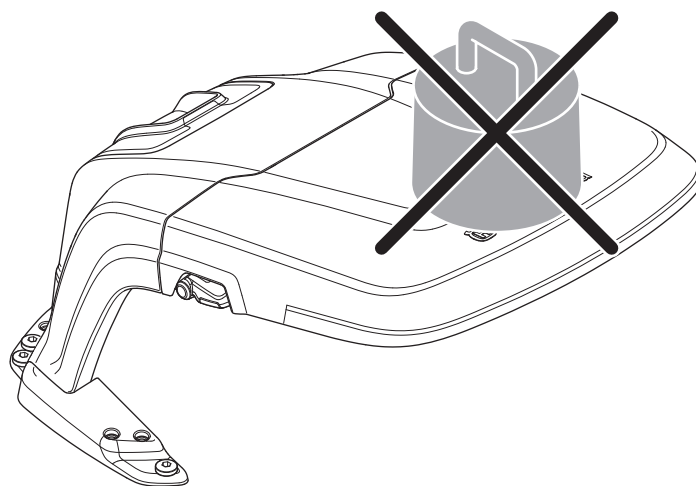
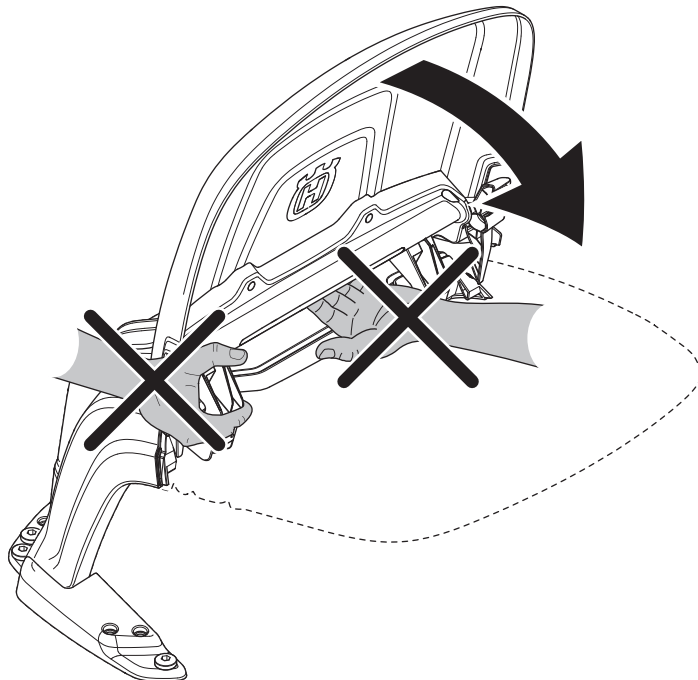
3



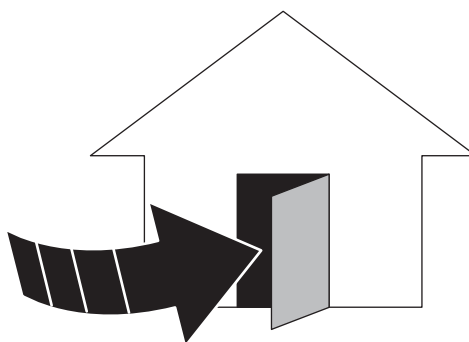
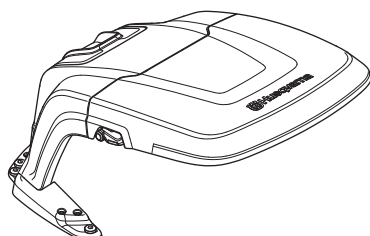


ACCESSORIES





<0°C



FR

