



# Husqvarna®



## 522HD60X, 522HDR60X, 522HDR75X

**EAC**

EN	Operator's manual	2-16
BG	Ръководство за експлоатация	17-32
CS	Návod k použití	33-47
DA	Bruksanvisning	48-61
DE	Bedienungsanweisung	62-76
EL	Οδηγίες χρήσης	77-92
ES	Manual de usuario	93-107
ET	Kasutusjuhend	108-121
FI	Käyttöohje	122-135
FR	Manuel d'utilisation	136-150
HR	Priručnik za korištenje	151-165
HU	Használati utasítás	166-180
IT	Manuale dell'operatore	181-195
LT	Operatoriaus vadovas	196-209
LV	Lietošanas pamācība	210-224
NL	Gebbruiksaanwijzing	225-239
NO	Bruksanvisning	240-253
PL	Instrukcja obsługi	254-268
PT	Manual do utilizador	269-283
RO	Instrucțiuni de utilizare	284-298
RU	Руководство по эксплуатации	299-314
SK	Návod na obsluhu	315-328
SL	Navodila za uporabo	329-342
SV	Bruksanvisning	343-356
TR	Kullanım kılavuzu	357-371

---

# Contents

---

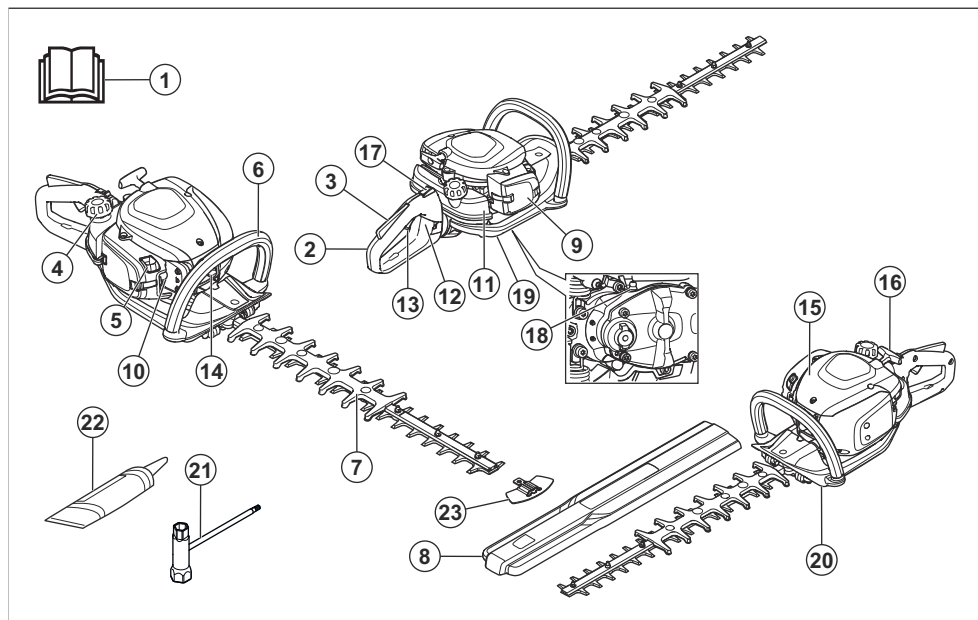
Introduction.....	2	Transportation, storage and disposal.....	13
Safety.....	3	Technical data.....	13
Operation.....	7	Declaration of Conformity.....	15
Maintenance.....	10		

---

## Introduction

---

### Product overview



1. Operator's manual
2. Rear handle
3. Throttle trigger lockout
4. Fuel tank cap
5. Choke control
6. Front handle
7. Blade and blade guard
8. Transport guard
9. Air filter cover
10. Air purge bulb
11. Fuel tank
12. Handle lock
13. Throttle trigger
14. Spark plug cap and spark plug
15. Cylinder cover
16. Starter rope handle

17. Stop switch
18. Grease nipple
19. Gear housing
20. Hand guard
21. Combination wrench
22. Tube of grease
23. Blade tip protection

### Product description

The product is a hedge trimmer with a combustion engine.

### Intended use

Use the product to cut branches and twigs. Do not use the product for other tasks.

## Symbols on the product



Stop.



Be careful and use the product correctly. This product can cause serious injury or death to the operator or others.



Read the operator's manual carefully and make sure that you understand the instructions before use.



Use approved hearing protection and approved eye protection.



Use approved protective gloves.



Use heavy-duty slip-resistant boots.

T

Idle adjustment screw.

H

High speed needle.

L

Low speed needle.



Noise emissions to the environment according to European Directive 2000/14/EC and New South Wales legislation "Protection of the Environment Operations (Noise Control) Regulation 2017". Noise emission data can be found on the machine label and in the Technical data chapter.

CE

The product agrees with the applicable EC directives.

UK  
CA

This product conforms to applicable UK regulations.

yyyyywwxxxx

The rating plate shows serial number. **yyyy** is the production year and **ww** is the production week.

**Note:** Other symbols/decals on the product refer to certification requirements for some markets.

## Euro V Emissions



**WARNING:** Tampering with the engine voids the EU type-approval of this product.

## Safety

### Safety definitions

Warnings, cautions and notes are used to point out specially important parts of the manual.



**WARNING:** Used if there is a risk of injury or death for the operator or bystanders if the instructions in the manual are not obeyed.



**CAUTION:** Used if there is a risk of damage to the product, other materials or the adjacent area if the instructions in the manual are not obeyed.

**Note:** Used to give more information that is necessary in a given situation.

### General safety instructions



**WARNING:** Read the warning instructions that follow before you use the product.

- Incorrect or careless use of the product can turn it into a dangerous tool that can cause serious or even fatal injury. It is extremely important that you read and understand the contents of this operator's manual.
- This product produces an electromagnetic field during operation. This field may under some

circumstances interfere with active or passive medical implants. To reduce the risk of serious or fatal injury, we recommend persons with medical implants to consult their physician and the medical implant manufacturer before operating this product.

- Overexposure to vibration can lead to circulatory damage or nerve damage in people who have impaired circulation. Contact your doctor if you experience symptoms of overexposure to vibration. Such symptoms include numbness, loss of feeling, tingling, pricking, pain, loss of strength, changes in skin color or condition. These symptoms normally appear in the fingers, hands or wrists. The risk increases at low temperatures.
- If you encounter a situation where you are uncertain how to proceed you should ask an expert. Contact your dealer or your service workshop. Avoid all usage which you consider to be beyond your capability.
- Keep in mind that the operator is responsible for accidents or hazards occurring to other people or their property.
- Never allow anyone else to use the product without first ensuring that they have understood the contents of the operator's manual.
- Never allow children to use or be in the vicinity of the product. As the product is equipped with a spring-loaded stop switch and can be started by low speed and force on the starter handle, even small children under some circumstances can produce the force necessary to start the product. This can mean a risk of serious personal injury. Therefore remove the spark plug cap when the product is not under close supervision.
- Store the product out of reach of children.
- Never use the product if you are tired, if you have drunk alcohol, or if you are taking medication that could affect your vision, your judgement or your coordination.
- Never use a product that is faulty. Carry out the checks, maintenance and service instructions described in this manual. Some maintenance and service measures must be carried out by trained and qualified specialists. Refer to instructions under the heading Maintenance.
- Never use a product that has been modified in any way from its original specification.

## Safety instructions for operation



**WARNING:** Read the warning instructions that follow before you use the product.

- Never use the product in extreme weather conditions such as severe cold, very hot and/or humid climates.
- Faulty blades can increase the risk of accidents.
- Ensure that no-one comes closer than 15 m / 50 ft while you are working.

- Observe your surroundings and make sure that there is no risk of people or animals coming into contact with the cutting equipment.
- Inspect the working area. Remove any objects that could be thrown out.
- Always ensure you have a safe and stable working position.
- Never leave the product unsupervised with the motor running.
- Make sure that your hands and feet do not come near the cutting unit when the engine is running.
- If anything jams in the blades while you are working, switch off the engine and wait until it has stopped completely before cleaning the blades. Disconnect the HT lead from the spark plug. Refer to *To examine the blades on page 12*.
- When the engine is switched off, keep your hands and feet away from the cutting unit until it has stopped completely.
- Watch out for stumps of branches that can be thrown out during cutting.
- Listen out for warning signals or shouts when you are wearing hearing protection. Always remove your hearing protection as soon as the engine stops.
- Never work from a ladder, stool or any other raised position that is not fully secured.
- Always use both hands to hold the product. Hold the product in front of your body.
- If any foreign object is hit or if vibrations occur stop the product immediately. Disconnect the HT lead from the spark plug. Check that the product is not damaged. Repair any damage.
- Ensure that the spark plug cap and ignition lead are undamaged to avoid the risk of electric shock.
- Check that all nuts and screws are tight.
- Make sure the gear housing is lubricated correctly. Refer to *To lubricate the gear housing on page 12*.
- The gear housing gets hot when the product has been in use. To avoid burning yourself do not touch the gear housing.
- All covers and guards must be fitted before starting.
- The transport guard should always be fitted to the cutting unit when the product is not in use.

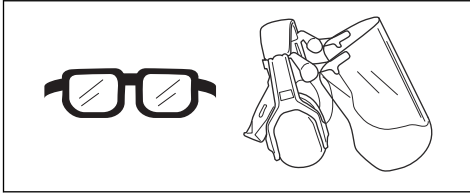
## Personal protective equipment



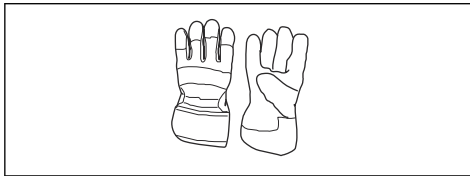
**WARNING:** Read the warning instructions that follow before you use the product.

- Always use approved personal protective equipment when you use the product. Personal protective equipment cannot fully prevent injury but it decreases the degree of injury if an accident does occur. Let your dealer help you select the right equipment.

- Use approved hearing protection that provides adequate noise reduction. Long-term exposure to noise can result in permanent hearing impairment.
- Use approved eye protection. If you use a visor, you must also use approved protective goggles. Approved protective goggles must comply with the ANSI Z87.1 standard in the USAs or EN 166 in EU countries.



- Use gloves when necessary, for example when you attach, examine or clean the cutting equipment.



- Use sturdy non-slip boots or shoes.



- Use clothing made of a strong fabric. Always use heavy, long pants and long sleeves. Do not use loose clothing that can catch on twigs and branches. Do not wear jewelry, short pants, sandals or go with bare feet. Put your hair up safely above shoulder level.
- Keep first aid equipment close at hand.



## Safety devices on the product



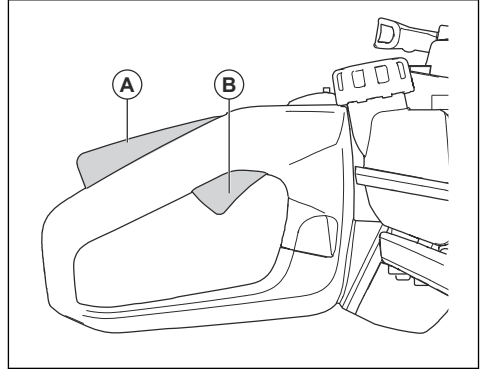
**WARNING:** Read the warning instructions that follow before you use the product.

- Do not use a product with defective safety devices.

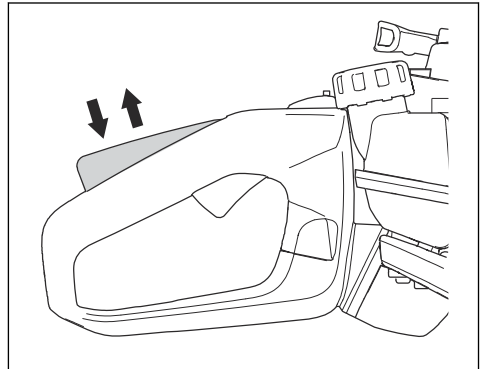
- Do a check of the safety devices regularly. If the safety devices are defective, speak to your Husqvarna service agent.

## To do a check of the throttle trigger lockout

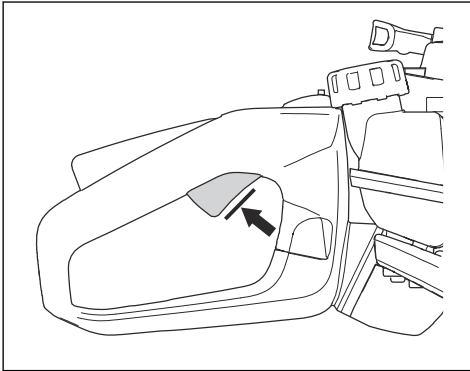
1. Make sure that the throttle trigger lockout (A) and throttle trigger (B) move freely and that the return spring works correctly.



2. Push down the throttle trigger lockout and make sure that it goes back to its initial position when you release it.



3. Make sure that the throttle trigger is locked at the idle position when the throttle trigger lockout is released.



4. Start the product and apply full throttle.
5. Release the throttle trigger and make sure that the blades stop and stay stationary.



**WARNING:** If the blades move when the throttle trigger is in the idle position, then the carburetor idle speed must be adjusted. Refer to *To adjust the idle speed on page 11*.

#### To do a check of the stop switch

1. Start the engine.
2. Push the stop switch to the stop position and make sure that the engine stops.



**WARNING:** The stop switch automatically goes back to start position. To prevent accidental start, remove the spark plug cap from the spark plug when you assemble or do maintenance on the product.

#### To do a check of the hand guard

The hand guard prevents injuries from the blades.

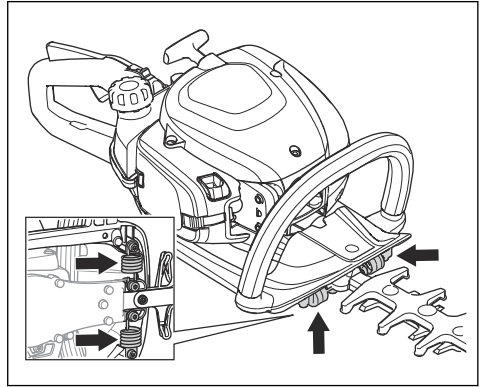
1. Stop the engine.
2. Make sure that the hand guard is attached correctly.
3. Examine the hand guard for damages.

#### To do a check of the vibration damping system

The vibration damping system decreases vibration in the handles. Vibration damping units operate as a separation between the product body and the handle unit.

1. Do a visual check for deformation and damage.

2. Make sure that the vibration damping units are correctly attached.



#### To do a check of the muffler



**WARNING:** Do not operate the product without a muffler or a defective muffler. A defective muffler can increase the noise level and the risk of fire. Do not use the product without, or with a broken, spark arrester screen. The spark arrester screen must be replaced if it is damaged.



**WARNING:** The mufflers become very hot during and after operation, also at idle speed.



**CAUTION:** If the spark arrester screen is frequently blocked it can be a sign that performance of the catalytic converter is decreased. Turn to your servicing dealer to examine the muffler. A blocked spark arrester screen will cause overheating and result in damage to the cylinder and piston.

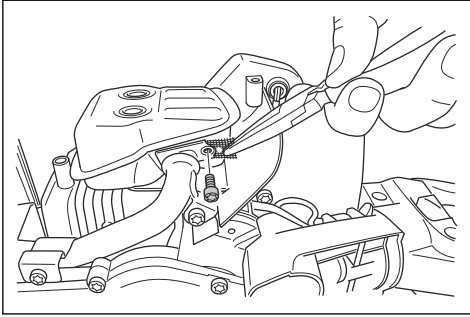


**WARNING:** The inner surfaces of the muffler contain chemicals that can cause cancer. Be careful not to touch these elements if the muffler is damaged.

The muffler keeps the noise levels to a minimum and points the exhaust fumes away from the operator. A muffler with a catalytic converter decrease harmful exhaust gases.

1. Stop the engine.
2. Do a visual check for damage and deformation.
3. Make sure that the muffler is correctly attached to the product.

- Clean the spark arrester screen with a wire brush.



#### To do a check of the blades and blade guard

The outer part of the blades has the function of a blade guard. The blade guard prevents cut injuries.

- Stop the engine and make sure that the blades stop.
- Remove the spark plug cap from the spark plug.
- Put on protective gloves.
- Make sure that the blade and blade guard is not damaged or bent. Always replace a damaged or bent blade, or a damaged blade guard.
- Make sure that the screws to the blades and blade guard are tight.

#### Fuel safety



**WARNING:** Read the warning instructions that follow before you use the product.

- Do not start the product if there is fuel or engine oil on the product. Remove the unwanted fuel/oil and let the product dry.
- If you spill fuel on your clothing, change clothing immediately.
- Do not get fuel on your body, it can cause injury. If you get fuel on your body, use soap and water to remove the fuel.
- Do not start the product if the engine has a leak. Examine the engine for leaks regularly.
- Be careful with fuel. Fuel is flammable and the fumes are explosive and can cause injuries or death.
- Do not breathe in the fuel fumes, it can cause injury. Make sure that there is a sufficient airflow.

- Do not smoke near the fuel or the engine.
- Do not put warm objects near the fuel or the engine.
- Do not add the fuel when the engine is on.
- Make sure that the engine is cool before you refuel.
- Before you refuel, open the fuel tank cap slowly and release the pressure carefully.
- Do not add fuel to the engine in an indoor area. Not sufficient airflow can cause injury or death because of asphyxiation or carbon monoxide.
- Tighten the fuel tank cap fully. If the fuel tank cap is not tightened, there is a risk of fire.
- Move the product a minimum of 3 m / 10 ft from the position where you filled the tank before a start.
- Do not fill the fuel tank fully. Heat causes the fuel to expand. Keep a space at the top of the fuel tank.

#### Safety instructions for maintenance



**WARNING:** Read the warning instructions that follow before you use the product.

- Stop the engine and make sure that the cutting equipment stops. Let the product become cool before you do the maintenance.
- Disconnect the spark plug cap before you do the maintenance.
- The exhaust fumes from the engine contain carbon monoxide, an odourless, poisonous and very dangerous gas that can cause death. Do not run the product indoors or in closed spaces.
- The exhaust fumes from the engine are hot and can contain sparks. Do not run the product indoors or near flammable material.
- Accessories and changes to the product that are not approved by the manufacturer, can cause serious injury or death. Do not change the product. Always use original accessories.
- If the maintenance is not done correctly and regularly, there is an increased risk of injury and damage to the product.
- Only do the maintenance as this operator's manual recommends. Let an approved Husqvarna service agent do all other servicing.
- Let an approved Husqvarna service agent do servicing on the product regularly.
- Replace damaged, worn or broken parts.

## Operation

### Introduction



**WARNING:** Read and understand the safety chapter before you use the product.

### Fuel

This product has a two-stroke engine.



**CAUTION:** Incorrect type of fuel can result in engine damage. Use a mixture of gasoline and two-stroke oil.

### Premixed fuel

- Use Husqvarna premixed alkylate fuel for best performance and extension of the engine life. This fuel contains less harmful chemicals compared to regular fuel, which decreases harmful exhaust fumes. The quantity of remains after combustion is lower with this fuel, which keeps the components of the engine more clean.

### To mix fuel

#### Gasoline

- Use good quality unleaded gasoline with a maximum of 10% ethanol contents.



**CAUTION:** Do not use gasoline with an octane grade less than 90 RON/87 AKI. Use of a lower octane grade can cause engine knocking, which causes engine damages.

#### Two-stroke oil

- For best results and performance use Husqvarna two-stroke oil.
- If Husqvarna two-stroke oil is not available, use a two-stroke oil of good quality for air-cooled engines. Speak to your servicing dealer to select the correct oil.



**CAUTION:** Do not use two-stroke oil for water-cooled outboard engines, also referred to as outboard oil. Do not use oil for four-stroke engines.

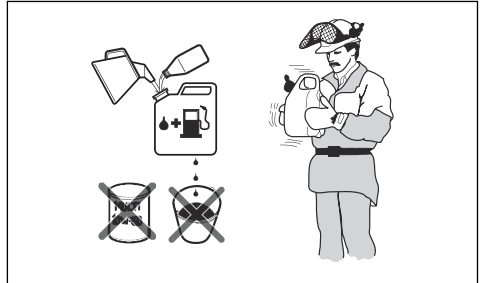
### To mix gasoline and two-stroke oil

Gasoline, liter	Two-stroke oil, liter
	<b>2% (50:1)</b>
5	0.10
10	0.20
15	0.30
20	0.40



**CAUTION:** Small errors can influence the ratio of the mixture drastically when you mix small quantities of fuel. Measure the

quantity of oil carefully and make sure that you get the correct mixture.



1. Fill half the quantity of gasoline in a clean container for fuel.
2. Add the full quantity of oil.
3. Shake the fuel mixture.
4. Add the remaining quantity of gasoline to the container.
5. Carefully shake the fuel mixture.



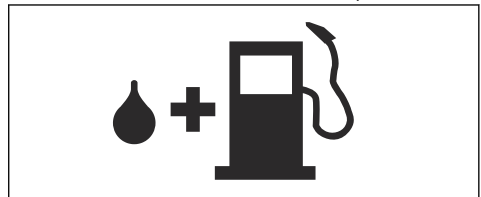
**CAUTION:** Do not mix fuel for more than 1 month at a time.

### To fill the fuel tank



**WARNING:** Obey the procedure that follows for your safety.

1. Stop the engine and let the engine become cool.
2. Clean the area around the fuel tank cap.



3. Shake the container and make sure that the fuel is fully mixed.
4. Remove the fuel tank cap slowly to release the pressure.
5. Fill the fuel tank.



**CAUTION:** Make sure that there is not too much fuel in the fuel tank. The fuel expands when it becomes hot.

6. Tighten the fuel tank cap carefully.
7. Clean fuel spillage on and around the product.



8. Move the product 3 m/10 ft or more away from the refueling area and fuel source before you start the engine.

**Note:** To see where the fuel tank is on your product, refer to *Product overview on page 2*.

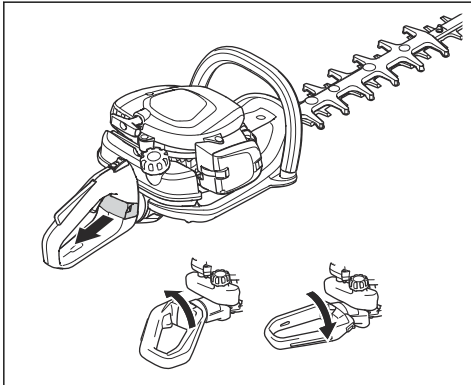
## To install the blade tip protection

1. Remove the nut and the bolt on the blade tip.
2. Install the blade tip protection on the blade tip.
3. Install the bolt and tighten it to 7 Nm.
4. Install the nut and tighten it to 5 Nm.

## To adjust the handle

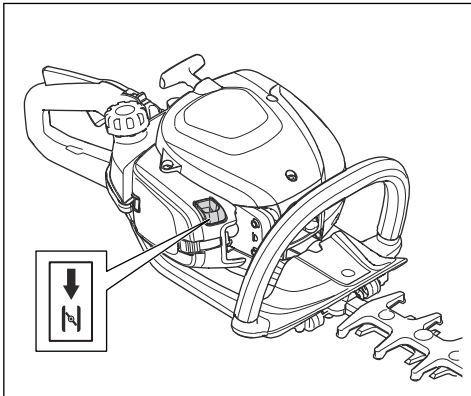
The rear handle can be adjusted into 3 positions.

- Release the handle lock and turn the handle.



## To start the product with a cold engine

1. Pull the choke control to choke position.



2. Push the air purge bulb approximately 6 times or until the bulb starts to fill with fuel. It is not necessary to fill the air purge bulb fully.

3. Hold the body of the product on the ground with your left hand. Do not step on the product.
4. Pull the starter rope handle slowly with your right hand until you feel some resistance, then pull the starter rope handle quickly and with force.



**WARNING:** Do not wind the starter rope around your hand.



**CAUTION:** Do not pull the starter rope to full extension and do not let go of the starter rope handle.

5. Continue to pull the starter rope handle until the engine fires, then push the choke control to its initial position.



**WARNING:** The blades move when the engine starts.

6. Continue to pull the starter rope handle until the engine starts.
7. Push and release the throttle trigger to set the engine to idle speed.
8. Push the throttle trigger gradually to increase the engine speed.
9. Make sure that the engine runs smoothly.

## To start the product with a warm engine

1. Hold the body of the product on the ground with your left hand. Do not step on the product.
2. Pull the starter rope handle slowly with your right hand until you feel some resistance, then pull the starter rope handle quickly and with force. Continue until the engine starts.

**Note:** For more information about how to start the product, refer to *To start the product with a cold engine on page 9*.

## To stop the product

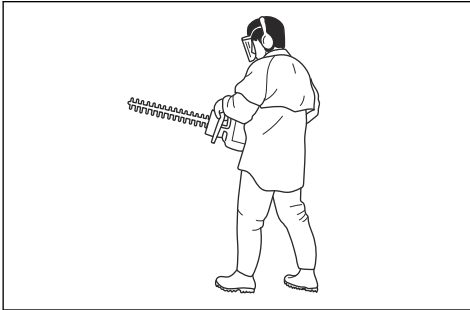
- Move the stop switch to the stop position to stop the engine.



**CAUTION:** The stop switch automatically goes back to run position.

## To operate the product

1. Start near the ground and move the product up along the hedge when you cut the sides. Make sure that the body of the product does not touch the hedge.



**WARNING:** Make sure that the front of the cutting equipment does not touch the ground.

2. Adjust the speed to align with the work load.
3. Hold the product near your body for a stable work position.
4. Be careful and operate the product slowly.

## Maintenance

### Introduction



**WARNING:** Read and understand the safety chapter before you do maintenance on the product.

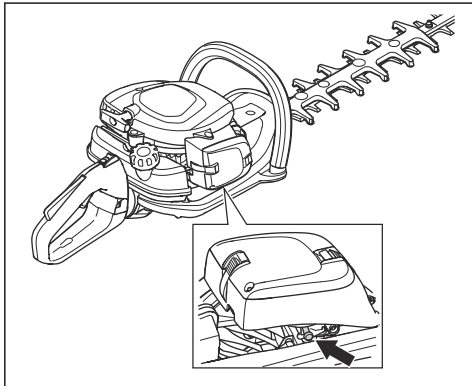
### Maintenance schedule

Maintenance	Before operation	After 40 h	After 100 h
Clean the external surface.	After each operation.		
Clean the muffler, exhaust pipe and engine from leaves, dirt and unwanted lubricant.	After each operation.		
Make sure that the cutting attachment does not move at idle speed.	X		
Do a check of the stop switch.	X		
Examine the cutting attachment and the cutting attachment guard for damages and cracks. Replace if it is damaged.	X		
Examine the hand guard for damages and cracks. Replace if it is damaged.	X		
Do a check of the throttle trigger lockout and the throttle trigger.	X		
Examine the engine, the fuel tank and the fuel lines for leaks.	X		
Tighten nuts and screws.	X		
Examine the fuel filter for contamination and the fuel hose for cracks and other defects. Replace if necessary.	X		
Examine the starter and the starter rope for damages.		X	
Clean the air filter. Replace if it is necessary.		X	
Examine the vibration damping units for damages and cracks.		X	

Maintenance	Before operation	After 40 h	After 100 h
Examine the spark plug, refer to <i>To examine the spark plug on page 11.</i>		X	
Clean the cooling system.		X	
Clean the external surface of the carburetor and the area around it.		X	
Clean or replace the spark arrester mesh.			X
Clean the inner surface of the fuel tank.			X
Examine the spark plug.			X
Make sure that the gear housing is filled with grease.			X

## To adjust the idle speed

1. Clean the air filter and attach the air filter cover.
2. Start the product, refer to *To start the product with a cold engine on page 9.*
3. Turn the idle adjustment screw T clockwise until the cutting attachment starts to move.



4. Turn the idle adjustment screw counterclockwise until the cutting attachment stops.



**WARNING:** If the cutting attachment does not stop when you adjust the idle speed, speak to your nearest servicing dealer. Do not use the product until it is correctly adjusted or repaired.

**Note:** The idle speed is correct when the engine operates smoothly in all positions. Refer to *Technical data on page 13* for the recommended idle speed.

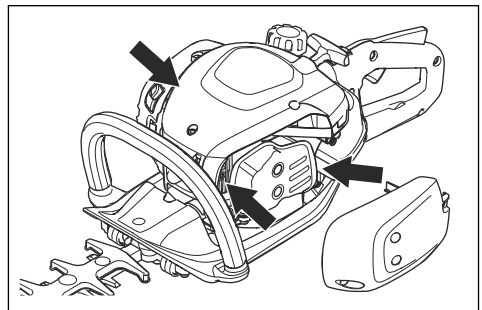
## To clean the cooling system

The cooling system keeps the engine temperature down. The cooling system includes the cooling fins on the cylinder and the starter housing.



**CAUTION:** The air intake between the fuel tank and crankcase is easily blocked by leaves. Clean the air intake fully.

1. Clean the cooling system with a brush weekly or more frequently if it is necessary.
2. Make sure that the cooling system is not dirty or blocked.



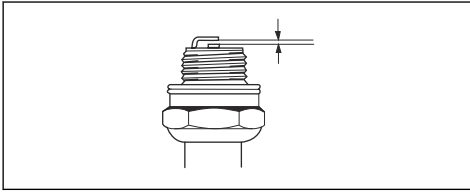
## To examine the spark plug



**CAUTION:** Always use the recommended spark plug type. Incorrect spark plug type can cause damage to the product.

- Examine the spark plug if the engine is low on power, is not easy to start or does not operate correctly at idle speed.
- To decrease the risk of unwanted material on the spark plug electrodes, obey these instructions:
  - a) Make sure that the idle speed is correctly adjusted.
  - b) Make sure that the fuel mixture is correct.
  - c) Make sure that the air filter is clean.

- If the spark plug is dirty, clean it and make sure that the electrode gap is correct, refer to *Technical data on page 13*.

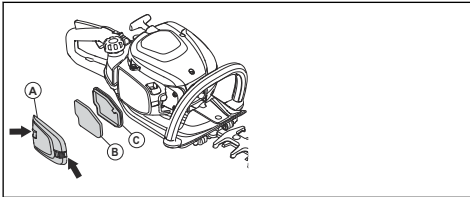


- Replace the spark plug if it is necessary.

## To clean the air filter

Clean the air filter regularly from dirt and dust. This prevents carburetor malfunctions, starting problems, loss of engine power, wear to engine parts and more fuel consumption than usual.

1. Remove the air filter cover (A).
2. Remove the foam filter (B) and the felt filter (C) from the filter frame.



3. Replace the felt filter (C).
4. Clean the foam filter (B) with warm soap water.

**Note:** An air filter that is used for a long time can not be fully cleaned. Replace the air filter regularly and always replace a defective air filter.

5. Make sure that the foam filter (B) is dry.
6. Apply air filter oil to the foam filter (B). Refer to *To apply oil to the air filter on page 12*
7. Clean the inner surface of the air filter cover (A). Use compressed air or a brush.

## To apply oil to the air filter



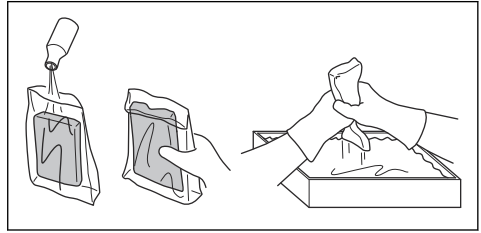
**CAUTION:** Always use Husqvarna special air-filter oil. Do not use other types of oil.



**WARNING:** Put on protective gloves. The air-filter oil can cause skin irritation.

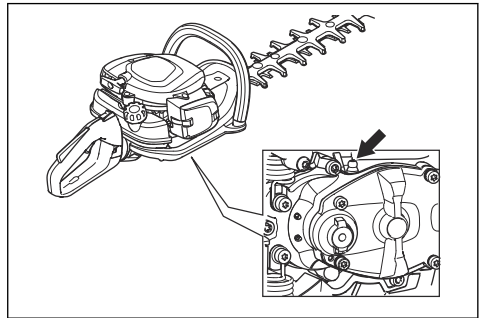
1. Put the air filter in a plastic bag.
2. Put the oil in the plastic bag.
3. Rub the plastic bag to supply the oil equally across the air filter.

4. Push the unwanted oil out of the air filter while in the plastic bag.



## To lubricate the gear housing

- Use Husqvarna special grease. Speak to your servicing dealer for more information about recommended grease.
- Add the grease through the grease nipple.



**CAUTION:** Do not fill the gear housing fully.

## To clean and lubricate the blades

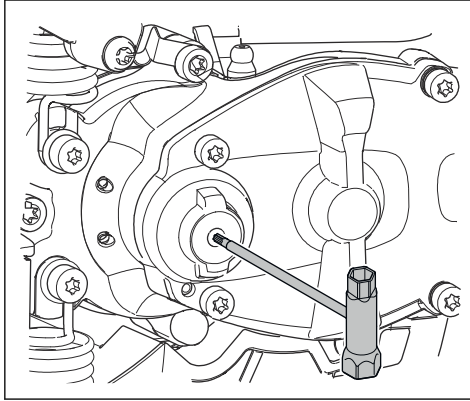
1. Clean the blades from unwanted materials before and after you use the product.
2. Lubricate the blades before long periods of storage.

**Note:** Speak to your servicing dealer for more information about recommended cleaning agents and lubricants.

## To examine the blades

1. Remove the cap on the gear housing.

2. Make sure that the blades move freely. Put the combination wrench in the gear housing and turn clockwise and counterclockwise.



3. Examine the edges of the blades for damages and deformation.
4. Use a file to remove burrs on the blades.

---

## Transportation, storage and disposal

---

### Transportation and storage

- Always allow the product to cool down before storage.
  - For storage and transportation of the product and fuel, make sure that there are no leaks or fumes. Sparks or open flames, for example from electrical devices or boilers, can start a fire.
  - Always use approved containers for storage and transportation of fuel.
  - Empty the fuel before transportation or before long-term storage. Discard the fuel at an applicable disposal location.
- Attach the transport guard during transportation and storage.
  - Remove the spark plug cap from the spark plug.
  - Attach the product during transportation. Make sure that it cannot move.
  - Clean and do servicing on the product before long-term storage.

---

## Technical data

---

### Technical data

	522HD60X	522HDR60X	522HDR75X
<b>Engine</b>			
Cylinder displacement, cm <sup>3</sup>	21.7	21.7	21.7
Idle speed, rpm	3000	3000	3000
Recommended max speed, rpm	9200	9200	9200
Maximum engine power acc. to ISO 8893, kW/hp @ rpm	0.6/0.8 @ 7800	0.6/0.8 @ 7800	0.6/0.8 @ 7800
Catalytic converter muffler	Yes	Yes	Yes
<b>Ignition system</b>			
Spark plug	NGK CMR6A	NGK CMR6A	NGK CMR6A

	<b>522HD60X</b>	<b>522HDR60X</b>	<b>522HDR75X</b>
Electrode gap, mm	0.5	0.5	0.5
<b>Fuel</b>			
Fuel tank capacity, l/cm <sup>3</sup>	0.45/450	0.45/450	0.45/450
<b>Weight</b>			
Without fuel, kg	4.9	5.0	5.2
<b>Noise emissions <sup>1</sup></b>			
Sound power level, measured dB (A)	101	101	101
Sound power level, guaranteed L <sub>WA</sub> dB (A)	102	102	102
<b>Sound levels <sup>2</sup></b>			
Equivalent sound pressure level at the operator's ear, measured according to EN ISO 10517, dB(A)	93	93	93
<b>Vibration levels <sup>3</sup></b>			
Equivalent vibration levels (a <sub>hv,eq</sub> ) at handles, measured according to EN ISO 10517, m/s <sup>2</sup> :			
Front/Rear, mm/s <sup>2</sup>	2.7/1.2	2.8/1.3	2.1/2.2
<b>Blades</b>			
Type	Double sided	Double sided	Double sided
Cutting length, mm	600	600	750
Cutting speed, cuts/min	4400	3200	3200

<sup>1</sup> Noise emissions in the environment measured as sound power (L<sub>WA</sub>) in conformity with EC directive 2000/14/EC. Reported sound power level for the product has been measured with the original cutting attachment that gives the highest level. The difference between guaranteed and measured sound power is that the guaranteed sound power also includes dispersion in the measurement result and the variations between different products of the same model according to Directive 2000/14/EC.

<sup>2</sup> Reported data for noise pressure level has a typical statistical dispersion (standard deviation) of 1 dB (A).

<sup>3</sup> Reported data for vibration level has a typical statistical dispersion (standard deviation) of 1 m/s<sup>2</sup>.

---

# Declaration of Conformity

---

## EU Declaration of Conformity

We, **Husqvarna AB**, SE-561 82 Huskvarna, Sweden, tel: +46-36-146500, declare on our sole responsibility that the product:

<b>Description</b>	Hedge trimmer
<b>Brand</b>	Husqvarna
<b>Type / Model</b>	522HD60X, 522HDR60X, 522HDR75X
<b>Identification</b>	Serial numbers dating from 2022 and onwards

complies fully with the following EU directives and regulations:

<b>Regulation</b>	<b>Description</b>
2006/42/EC	"relating to machinery"
2014/30/EU	"relating to electromagnetic compatibility"
2000/14/EC	"relating to the noise emissions in the environment"
2011/65/EU	"on the restriction of the use of certain hazardous substances in electrical and electronic equipment"

and that the following standards and/or technical specifications are applied: EN ISO 12100:2021, CISPR 12: 2009, EN ISO 10517:2009/A1:2013, EN IEC 63000:2018.

RISE SMP Svensk Maskinprovning AB, has performed voluntary type examination on behalf of Husqvarna AB. Certificate number: SEC/18/2518.

RISE SMP Svensk Maskinprovning AB, has verified conformity with Council's Directive of May 8, 2000 "relating to the noise emissions in the environment" 2000/14/EC. Certificate numbers: 01/094/026-522HD60X, 01/094/027-522HDR60X, 522HDR75X.

For information relating to noise emissions, refer to *Technical data on page 13*.

Huskvarna, 2022-05-09

Stefan Holmberg, R&D Director, Technology Management, Husqvarna AB

Responsible for technical documentation



Two handwritten signatures in black ink are visible. The first signature is on the left and the second is on the right, both appearing to be in cursive script.

# UK Declaration of Conformity

We, **Husqvarna AB**, SE-561 82 Huskvarna, Sweden, tel: +46-36-146500, declare on our sole responsibility that the product:

<b>Description</b>	Hedge trimmer
<b>Brand</b>	Husqvarna
<b>Type / Model</b>	522HD60X, 522HDR60X, 522HDR75X
<b>Identification</b>	Serial numbers dating from 2022 and onwards

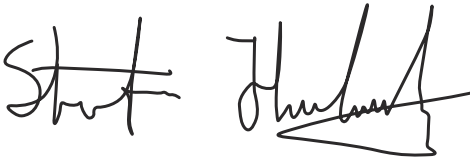
complies fully with the following UK directives and regulations:

<b>Description</b>
The Restriction of the Use of Certain Hazardous Substances in Electrical and Electronic Equipment Regulations 2012
The Supply of Machinery (Safety) Regulations 2008
The Noise Emission in the Environment by Equipment for use Outdoors Regulations 2001, schedule 9
Electromagnetic Compatibility Regulations 2016

and that the following standards and/or technical specifications are applied: EN ISO 12100:2021, CISPR 12: 2009, EN ISO 10517:2009/A1:2013, EN IEC 63000:2018.

For information relating to noise emissions, refer to *Technical data on page 13*.

Huskvarna, 2022-05-09



Stefan Holmberg, R&D Director, Technology Management, Husqvarna AB

Responsible for technical documentation

**UK  
CA**

UK Importer:  
Husqvarna UK Ltd  
Preston Road, Co. Durham  
DL5 6UP

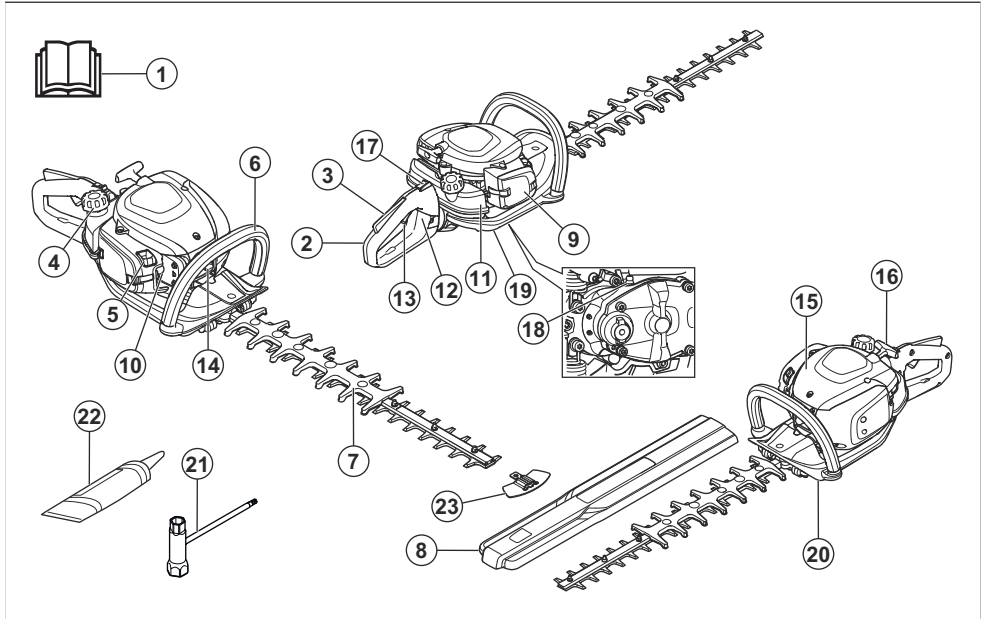


## Съдържание

Въведение.....	17	Транспортиране, съхранение и изхвърляне.....	29
Безопасност.....	18	Технически данни.....	30
Операция.....	23	Декларация за съответствие.....	32
Поддръжка.....	26		

## Въведение

### Общ преглед на продукта



1. Инструкция за експлоатация
2. Задна ръкохватка
3. Блокировка на регулатор за газта
4. Капачка на резервоара за гориво
5. Смукач
6. Предна дръжка
7. Резец и предпазен щит на резеца
8. Защита при транспортиране
9. Капак на въздушния филтър
10. Купол на горивната помпа
11. Резервоар за гориво
12. Заклучване на дръжката
13. Регулатор за газта
14. Капачка на свещ и свещ
15. Капак на цилиндъра
16. Дръжка на въжето на стартера
17. Превключвател за спиране
18. Смазочен нипел
19. Корпус на предавката
20. Защита за ръцете
21. Комбиниран гаечен ключ
22. Туба с грес
23. Защита за върха на острието

### Описание на продукта

Продуктът е ножици за кастрене на жив плет с двигател с вътрешно горене.

### Предназначение

Използвайте продукта за изрязване на клонови и вейки. Не използвайте продукта за други задачи.

## Символи върху продукта



Спиране.



Внимавайте и използвайте продукта правилно. Този продукт може да причини сериозно нараняване или смърт на оператора и други хора.



Прочетете внимателно ръководството за оператора и се уверете, че разбирате инструкциите, преди да използвате машината.



Използвайте одобрена защита на слуха и одобрена защита на очите.



Използвайте одобрени защитни ръкавици.



Използвайте устойчиви на плъзгане ботуши за тежък режим на работа.

# T

Регулиращ винт за обороти на празен ход.

# H

Иглен регулатор за висока скорост.

# L

Иглен регулатор за ниска скорост.



Шумови емисии към околната среда съгласно Европейска директива 2000/14/ЕО и законодателството на Нов Южен Уелс "Регламент от 2017 г. относно защитата от дейности, оказващи влияние на околната среда (контрол на шума)". Данните за шумови емисии могат да бъдат намерени на етикета на машината и в главата "Технически характеристики".

# CE

Продуктът е в съответствие с приложимите директиви на ЕО.

# UK CA

Този продукт съответства на приложимите регламенти на Обединеното кралство.

yyuwwxxxx

На табелката с данни е изписан серийният номер. **yyu** е годината на производство, а **ww** – седмицата на производство.

**Забележка:** Останалите символи/стикери на продукта се отнасят до изисквания по отношение на сертификати за определени пазари.

## Емисии Euro V



**ПРЕДУПРЕЖДЕНИЕ:** Намесата в двигателя прави невалидно ЕС одобрението на тип на този продукт.

## Безопасност

### Дефиниции за безопасност

Предупреждения, знаци за внимание и бележки се използват за указване на особено важни части на инструкцията.



**ПРЕДУПРЕЖДЕНИЕ:** Използва се, ако има опасност от нараняване или смърт за оператора или за околните, ако не се спазват инструкциите в ръководството.



**ВНИМАНИЕ:** Използва се, ако има опасност от повреждане на машината, други материали или съседната зона,

ако не се спазват инструкциите в ръководството.

**Забележка:** Използва се за предоставяне на повече информация, която е необходима в дадена ситуация.

### Общи инструкции за безопасност



**ПРЕДУПРЕЖДЕНИЕ:** Прочетете следващите предупредителни указания, преди да използвате машината.

- Неправилното или невнимателно използване на продукта може да го превърне в опасен инструмент, който може да причини сериозни или дори смъртоносни наранявания. Много е важно да прочетете това ръководство за експлоатация и да разберете съдържанието му.
- Тази машина създава електромагнитно поле по време на работа. При някои условия това поле може да интерферира с активни или пасивни медицински имплантанти. За да намалите риска от сериозно или смъртоносно нараняване, ние препоръчваме лицата с медицински импланти да говорят с лекаря си и производителя на медицинския имплант, преди да започнат да работят с този продукт.
- Прекомерно излагане на вибрации може да доведе до поражения върху кръвоносни съдове и нервната система на хора със смущения в кръвообращението. Потърсете лекарска помощ, ако се появят симптоми, които могат да са резултат от вибрации. Такива симптоми са например изтръпване, загуба на чувствителност, "иглички", "бодежи", болки, физическа отпуснатост, промяна на цвета или състоянието на кожата. Тези симптоми се появяват обикновено на пръстите, ръцете и китките. Рискът може да се увеличи при ниски температури.
- Ако се окажете в ситуация, в която сте неуверени как да постъпите, се посъветвайте със специалист. Свържете се с дистрибутора или със сервиза. Избягвайте всяка употреба, за която се чувствате недостатъчно квалифицирани.
- Имайте предвид, че операторът носи отговорност за нещастни случаи или опасности за други хора или тяхното имущество.
- Не позволявайте никой друг да използва продукта, без първо да сте се уверили, че е разбрал съдържанието на ръководството за оператора.
- Никога не позволявайте на деца да използват продукта или да бъдат в близост до него. Тъй като продуктът е оборудван с пружинен превключвател за спиране и може да бъде стартиран чрез прилагане на ниска скорост и сила върху дръжката на стартера, дори и малките деца при някои обстоятелства могат да са способни да стартират продукта. Това може да означава риск от сериозна телесна повреда. Поради това отстранявайте лулата на запалителната свещ, когато продуктът не е под прякото Ви наблюдение.
- Съхранявайте продукта на място, недостъпно за деца.
- Никога не използвайте продукта, ако сте уморени, употребили сте алкохол или приемате лекарства, които могат да повлияят върху зрението, преценката или координацията Ви.
- Никога не използвайте продукт, който е неизправен. Извършвайте описаните в това

ръководство за експлоатация редовни проверки, поддръжка и сервиз. Определени операции по поддръжката и сервиза се извършват единствено от квалифицирани специалисти. Вижте инструкциите в раздел Поддръжка.

- Никога не използвайте продукт с модификации на оригиналните спецификации.

## Инструкции за безопасност за работа



**ПРЕДУПРЕЖДЕНИЕ:** Прочетете следващите предупредителни указания, преди да използвате машината.

- Никога не използвайте продукта при екстремни атмосферни условия, например много студен, много горещ и/или влажен климат.
- Неизправните остриета могат да повишат риска от злополуки.
- Внимавайте да няма никой в радиус от 15 m/50 ft при работа.
- Съобразете се с средата и се уверете, че няма риск за хора или животни при съприкосновение с режещото оборудване.
- Проверете работния участък. Отстранете всички обекти, които могат да изхвърчат във въздуха.
- Винаги се грижете да заставате в безопасно и стабилно работно положение
- Никога не оставяйте продукта без надзор, докато двигателят работи.
- Уверете се, че ръцете и краката Ви са далеч от режещия модул, когато двигателят работи.
- Ако нещо заседне в ножовете, докато работите, изключете мотора и изчакайте, докато спре напълно, преди да почистите ножовете. Разкачете проводника за високо напрежение от запалителната свещ. Вижте *За проверка на ножовете на страница 29*.
- Когато двигателят е изключен, пазете ръцете и краката си от режещия модул, докато той не спре напълно.
- Внимавайте за парчета от клоните, които могат да изхвърчат по време на рязането.
- Бъдете винаги нащрек за предупредителни сигнали или подвиквания, когато използвате антифони. Винаги сваляйте антифоните незабавно след спиране на двигателя.
- Не работете никога от стълба, столче или друго положение на високо, което не е напълно обезопасено.
- Винаги дръжте продукта с две ръце. Винаги дръжте продукта пред тялото си.
- Ако някакъв чужд обект бъде ударен или ако се получат вибрации, спрете веднага продукта. Разкачете проводника за високо напрежение от запалителната свещ. Проверете дали продуктът не е повреден. Поправете всяка повреда.

- Уверете се дали капачката на запалителната свещ и запалващият кабел са изправни, за да избегнете опасността от електрически удар.
- Проверете дали всички гайки и винтове са затегнати.
- Уверете се, че корпусът на скоростната кутия е смазан правилно. Вижте *За смазване на корпуса на скоростната кутия на страница 29*.
- Корпусът на скоростната кутия се нагрява, когато продуктът е в употреба. За да избегнете изгаряния не докосвайте корпуса на предавката.
- Всички капаци и предпазители трябва да са поставени преди стартиране.
- Защитата при транспортиране трябва винаги да е поставена на режещия модул, когато продуктът не се използва.

- Носете здрави ботуши или обувки, които не се хлъзгат.



- Използвайте дрехи, направени от здрава тъкан. Винаги използвайте здрави, дълги панталони и дълги ръкави. Не носете използвайте дрехи, които могат да се захванат за храсти и клони. Не носете бижута, къси панталони, сандали и не работете боси. Носете косата си безопасно над нивото на рамената.
- Дръжте в близост комплект за първа помощ.



### Приспособления за безопасност на машината



**ПРЕДУПРЕЖДЕНИЕ:** Прочетете следващите предупредителни указания, преди да използвате машината.

- Не използвайте машина с неизправни приспособления за безопасност.
- Проверявайте редовно приспособленията за безопасност. Ако приспособленията за безопасност са дефектни, говорете с Вашия сервиз Husqvarna.

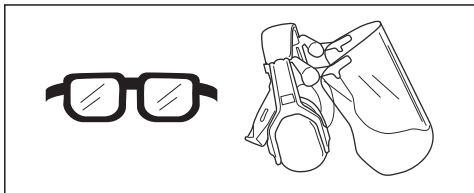
### За проверка на блокировката на регулатора на газта

### Лични предпазни средства

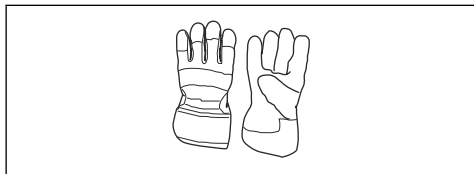


**ПРЕДУПРЕЖДЕНИЕ:** Прочетете следващите предупредителни указания, преди да използвате машината.

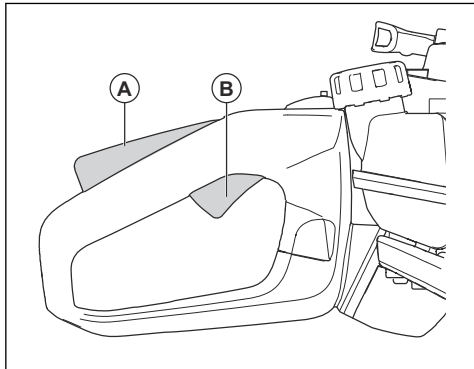
- При работа с продукта винаги използвайте одобрени лични предпазни средства. Личните предпазни средства не изключват изцяло риска от нараняване, но намаляват степента на нараняването при злополука. Нека вашият дилър Ви помогне да изберете подходящото оборудване.
- Използвайте одобрени антифони, осигуряващи подходящо намаляване на шума. Дълготрайното излагане на шум може да доведе до постоянно влошаване на слуха.
- Използвайте одобрени защитни средства за очите. Ако използвате маска, използвайте също и одобрени защитни очила. С одобрени защитни очила се има предвид такива, които отговарят на стандарт ANSI Z87.1 за САЩ или EN 166 за страните от ЕС.



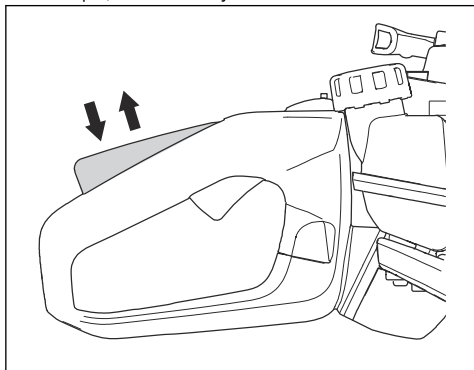
- Когато е необходимо, носете ръкавици, например, когато закрепвате, проверявате или почиствате режещото оборудване.



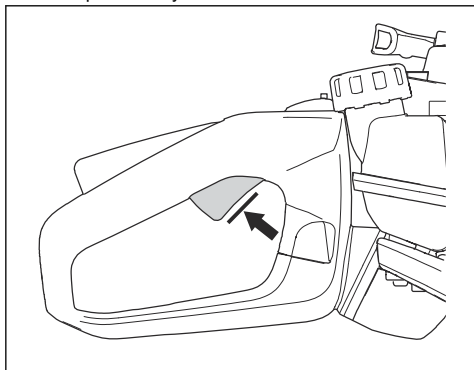
1. Уверете се, че блокировката на регулатора за газта (А) и регулатора за газта (В) се движат свободно и възвратната пружина функционира нормално.



2. Натиснете надолу блокировката на газта и се уверете, че се връща в първоначалната си позиция, когато я отпуснете.



3. Уверете се, че регулаторът на газта се фиксира в позиция на празен ход, когато се освободи блокировката му.



4. Стартирайте продукта и подайте пълна газ.

5. Отпуснете регулатора за газта и се уверете, че ножовете спират и остават неподвижни.



**ПРЕДУПРЕЖДЕНИЕ:** Ако резецът се движи когато регулаторът за газта е на обороти на празен ход тогава трябва да се регулира скоростта на карбуратора за празен ход. Вижте *Регулиране на оборотите на празния ход на страница 27*.

#### За проверка на превключвателя за спиране

1. Стартирайте двигателя.
2. Преместете превключвателя за спиране до положението за спиране и се уверете, че двигателят спира.



#### ПРЕДУПРЕЖДЕНИЕ:

Превключвателят за спиране автоматично се връща в положение за стартиране. За да предотвратите случайно стартиране, махнете лулата на запалителната свещ от свещта, когато монтирате или извършвате техническо обслужване на продукта.

#### За проверка на защитата за ръцете

Защитата за ръце не позволява нараняване от ножовете.

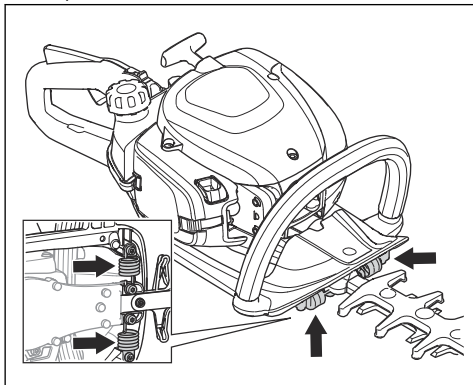
1. Спрете двигателя.
2. Проверете дали защитата за ръце е правилно поставена.
3. Проверете защитата за ръцете за повреди.

#### За проверка на антивибрационната система

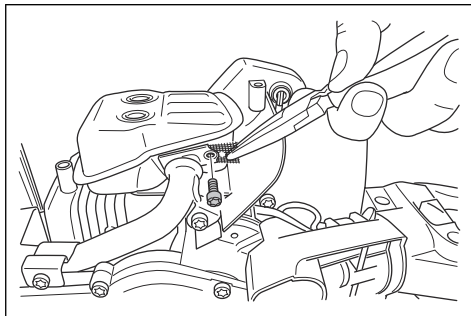
Антивибрационната система намалява вибрациите на дръжките. Антивибрационните модули действат като разделител между корпуса на продукта и модула на дръжките.

1. Извършете визуална проверка за деформация и повреда.

2. Уверете се, че антивибрационните части не са повредени.



1. Спрете двигателя.
2. За извършване на визуална проверка и деформация.
3. Уверете се, че ауспухът е правилно закрепен към продукта.
4. Почистете искрогасителната мрежа с телена четка.



### За проверка на ауспуха



**ПРЕДУПРЕЖДЕНИЕ:** Никога не работете с продукта без ауспух или с повреден ауспух. Дефектният ауспух може да увеличи нивото на шума и опасността от пожар. Не използвайте продукта с повредена или липсваща искрогасителна мрежа. В случай на повреда искрогасителната мрежа трябва да бъде сменена.



**ПРЕДУПРЕЖДЕНИЕ:** Ауспусите се нагряват много по време и след работа и при обороти на празен ход.



**ВНИМАНИЕ:** Ако искрогасителната мрежа се запушва често, това може да е признак, че ефективността на катализатора е намалена. Обърнете се към Вашия сервизен дистрибутор за проверка на ауспуха. Зупушена искрогасителна мрежа ще предизвика прегряване, което ще доведе до повреда на цилиндъра и буталото.



**ПРЕДУПРЕЖДЕНИЕ:** Вътрешните повърхности на ауспуха съдържат химикали, които могат да причинят рак. Внимавайте да не докосвате тези елементи, ако ауспухът е повреден.

Ауспухът е предназначен за максимално намаляване на нивата на шума и за отвеждане на отработените газове настрана от потребителя. Ауспух с катализатор намалява вредните отработените газове.

### За проверка на резците и предпазния щит на резеца

Външните краища на резците функционират като предпазен щит на резеца. Предпазният щит на резеца предотвратява наранявания от порязване.

1. Спрете двигателя и се уверете, че резците спират.
2. Отстранете лулата на запалителната свещ от запалителната свещ.
3. Сложете защитни ръкавици.
4. Уверете се, че резецът и предпазният щит на резеца не са повредени или огнати. Винаги сменяйте повреден или огнат резец или повреден предпазен щит на резеца.
5. Уверете се, че винтовете на резците и предпазният щит на резеца са затегнати.

### Безопасност при работа с гориво



**ПРЕДУПРЕЖДЕНИЕ:** Прочетете следващите предупредителни указания, преди да използвате машината.

- Не включвайте продукта, ако върху него има гориво или моторно масло. Отстранете нежеланото гориво/масло и оставете продукта да изсъхне.
- Ако разлеее гориво по дрехите си, сменете ги незабавно.
- Внимавайте да не попадне гориво върху тялото Ви, това може да доведе до телесни увреждания. Ако гориво попадне върху тялото Ви, използвайте сапун и вода, за да го отстраните.
- Не стартирайте продукта, ако от двигателя има теч. Проверявайте редовно двигателя за течове.

- Внимавайте с горивото. Горивото е запалимо, изпаренията са взривоопасни и могат да причинят телесни увреждания или смърт.
- Не вдишвайте горивните изпарения, това може да доведе до телесни увреждания. Уверете се, че има достатъчен въздушен поток.
- Не пушете близо до горивото или двигателя.
- Не поставяйте топли предмети близо до горивото или двигателя.
- Не добавяйте гориво, когато двигателят работи.
- Уверете се, че двигателят е изстинал преди зареждане с гориво.
- Преди зареждане с гориво отворете бавно капачката на резервоара за гориво и освободете внимателно налягането.
- Не добавяйте гориво към двигателя на закрито. Недостатъчният въздушен поток може да доведе до нараняване или смърт поради задушаване или въглероден окис.
- Затегнете капачката на резервоара за гориво докрай. Ако капачката на резервоара за гориво не е затегната, има риск от злополука.
- Преди да включите двигателя, преместете продукта най-малко на 3 м/10 ft от мястото, където сте заредили резервоара.
- Не зареждайте резервоара за гориво догоре. Топлината причинява увеличаване на обема на горивото. Оставете място в горната част на резервоара за гориво.
- Спрете двигателя и се уверете, че режещото оборудване спира. Преди да извършите техническо обслужване, оставете продуктът да се охлади.
- Разкачете лулата на запалителната свещ, преди да извършите техническо обслужване.
- Отработените газове от двигателя съдържат въглероден окис, много опасен, отровен газ без миризма, който може да причини смърт. Не работете с продукта на закрито или в затворени пространства.
- Отработените газове от двигателя са горещи и могат да съдържат искри. Не стартирайте продукта на закрито или близо до запалими материали.
- Аксесоари и промени на продукта, които не са одобрени от производителя, могат да доведат до сериозно нараняване или смърт. Не правете промени по продукта. Винаги използвайте оригинални принадлежности.
- Ако техническото обслужване не се изпълнява правилно и редовно, съществува повишена опасност от нараняване и повреда на продукта.
- Изпълнявайте техническото обслужване, както е посочено в настоящата инструкция за експлоатация. Цялото обслужване трябва да се извършва от одобрен сервиз на Husqvarna.
- Позволете одобрен Husqvarna сервиз редовно да обслужва продукта.
- Заменете повредени, износени или счупени части.

## Инструкции за безопасност при техническо обслужване



**ПРЕДУПРЕЖДЕНИЕ:** Прочетете следващите предупредителни указания, преди да използвате машината.

## Операция

### Въведение



**ПРЕДУПРЕЖДЕНИЕ:** Прочетете и разберете раздела с инструкции за безопасност преди използване на продукта.

### Гориво

Този продукт разполага с двутактов двигател.



**ВНИМАНИЕ:** Неподходящият тип гориво може да доведе до повреда на двигателя. Използвайте смес от бензин и масло за двутактови двигатели.

### Предварително смесено гориво

- За постигане на оптимални работни характеристики и за удължаване на срока на експлоатация на двигателя използвайте предварително смесено алкилатно гориво на Husqvarna. Това гориво съдържа по-малко вредни химикали в сравнение с обикновеното гориво и това намалява вредните отработени газове. С това гориво количеството остатъци след изгарянето е по-ниско, което запазва компонентите на двигателя по-чисти.

### За изготвяне на горивна смес

#### Бензин

- Използвайте качествен безоловен бензин с максимално съдържание на етанол 10%.



**ВНИМАНИЕ:** Не използвайте бензин с октаново число по-малко от 90 RON/87 AKI. Използването на по-ниско октаново число може да доведе до детонационно горене в двигателя, което предизвиква повреди в него.

#### Масло за двутактов двигател

- За постигане на най-добри резултати и работни характеристики използвайте масло за двутактови двигатели на Husqvarna.
- Ако не разполагате с масло за двутактови двигатели на Husqvarna, използвайте друго висококачествено масло за двутактови двигатели, разработено за двигатели с въздушно охлаждане. Говорете с дистрибутора по сервизното обслужване за избор на точното масло.



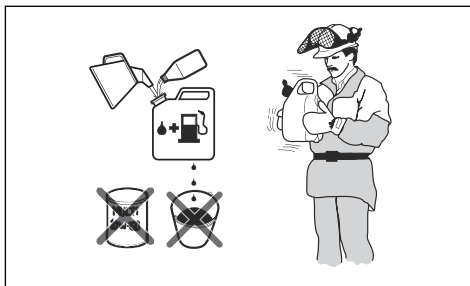
**ВНИМАНИЕ:** Не използвайте масло за извънбордови двутактови двигатели с водно охлаждане, понякога наричано извънбордово масло. Не използвайте масло за четиритактови двигатели.

#### Смесване на бензин и масло за двутактов двигател

Бензин, литри	Масло за двутактов двигател, литри
	<b>2% (50:1)</b>
5	0,10
10	0,20
15	0,30
20	0,40



**ВНИМАНИЕ:** Малки грешки могат да повлияят драстично на съотношението в сместа, когато смесвате малки количества гориво. Измервайте внимателно количеството масло, за да сте сигурни, че ще получите правилната смес.



1. Налейте половината гориво в чист съд за гориво.
2. Добавете цялото количество масло.
3. Разклатете горивната смес.
4. Долейте останалото количество бензин в съда.
5. Разклатете внимателно горивната смес.



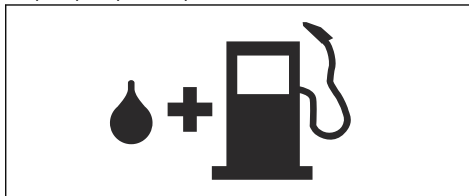
**ВНИМАНИЕ:** Не смесвайте количество гориво, което ще престои повече от 1 месец.

#### Пълнене на резервоара за гориво



**ПРЕДУПРЕЖДЕНИЕ:** Спазвайте следната процедура за Ваша безопасност.

1. Спрете двигателя и го оставете да се охлади.
2. Почистете областта около капачката на резервоара за гориво.



3. Разклатете контейнера и се уверете, че горивото е напълно смесено.
4. Отстранете бавно капачката на резервоара за гориво, за да освободите налягането.
5. Напълнете резервоара за гориво.



**ВНИМАНИЕ:** Уверете се, че в резервоара за гориво няма твърде много гориво. Когато се нагрее, горивото се разширява.

6. Затегнете капачката на резервоара за гориво внимателно.
7. Почистете разлятото гориво върху продукта и около него.



8. Преди стартиране на двигателя преместете продукта на 3 м/10 ft или повече от мястото, където се извършва зареждането с гориво и където се намира източникът на горивото.

**Забележка:** За местоположението на резервоара за гориво на Вашия продукт направете справка с *Общ преглед на продукта на страница 17.*

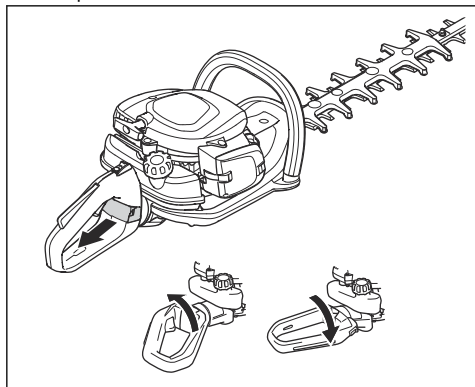
## За монтиране на защитата на върха на резеца

1. Премахнете гайката и болта на върха на резеца.
2. Монтирайте защитата за върха на резеца на върха на резеца.
3. Монтирайте болта и го затегнете до 7 Nm.
4. Монтирайте гайката и я затегнете до 5 Nm.

## За регулиране на ръкохватката

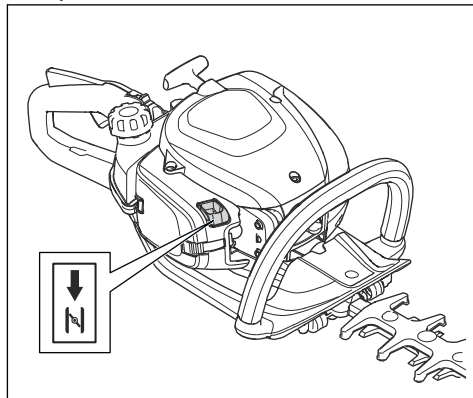
Задната ръкохватка може да се регулира в 3 позиции.

- Освободете заключването на дръжката и я завъртете.



## За да стартирате продукта при студен двигател

1. Дръпнете смучача на положение "задействан смучач".



2. Натиснете купола на горивната помпа приблизително 6 пъти или докато горивото започне да запълва купола. Не е необходимо да се пълни докрай куполът на горивната помпа.
3. Дръжте корпуса на продукта на земята с лявата си ръка. Не стъпвайте върху продукта.
4. Дръпнете бавно дръжката на въжето за стартиране с дясната си ръка, докато не усетите съпротивление, след което дръпнете дръжката на въжето за стартиране бързо и със сила.



**ПРЕДУПРЕЖДЕНИЕ:** Не навивайте въжето за стартиране около ръката си.



**ВНИМАНИЕ:** Не дърпайте докрай въжето на стартера и не пускайте дръжката на въжето на стартера.

5. Продължете да дърпате дръжката на въжето на стартера, докато двигателят запали, след което натиснете смучача до първоначалното му положение.



**ПРЕДУПРЕЖДЕНИЕ:** При стартиране на двигателя резците се движат.

6. Продължете да дърпате ръкохватката на въжето за стартиране, докато двигателят запали.
7. Натиснете и освободете регулатора за газта, за да установите двигателя до обороти на празния ход.
8. Натиснете постепенно регулатора на газта, за да увеличите оборотите на двигателя.

9. Уверете се, че двигателят работи плавно.

## За да стартирате продукта при топъл двигател

1. Дръжте корпуса на продукта на земята с лявата си ръка. Не стъпвайте върху продукта.
2. Дръпнете бавно дръжката на въжето за стартиране с дясната си ръка, докато не усетите съпротивление, след което дръпнете дръжката на въжето за стартиране бързо и със сила. Продължете, докато двигателят стартира.

**Забележка:** За повече информация относно как да стартирате продукта направете справка с *За да стартирате продукта при студен двигател на страница 25.*

## Спиране на продукта

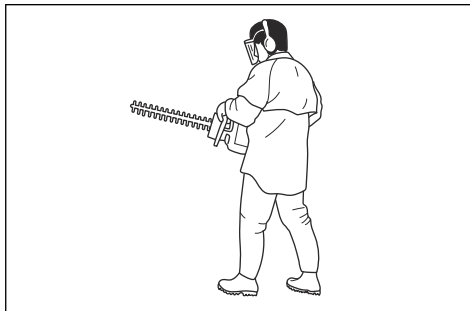
- За да изключите мотора, преместете превключвателя за спиране в положение за спиране.



**ВНИМАНИЕ:** Превключвателят за спиране автоматично се връща в положение за работа.

## За да работите с продукта

1. Започнете близо до земята и местете продукта нагоре по плета, когато режете страните. Уверете се, че корпусът на продукта не докосва плета.



### ПРЕДУПРЕЖДЕНИЕ:

Уверете се, че предната част на режещото оборудване не докосва земята.

2. Регулирайте скоростта за подравняване с работното натоварване.
3. Дръжте продукта близо до тялото си за стабилна работна позиция.
4. Внимавайте и използвайте продукта бавно.

## Поддръжка

### Въведение

за безопасност, преди да започнете техническо обслужване на продукта.



**ПРЕДУПРЕЖДЕНИЕ:** Прочетете и разберете главата с инструкции

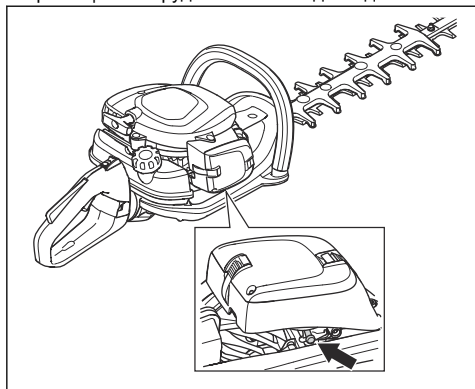
### График за техническо обслужване

Поддръжка	Преди работа	След 40 часа	След 100 часа
Почистете външната повърхност.		След всяка работа.	
Почистете ауспуха, тръбата за отработени газове и двигателят от листа, мръсотия и излишна грес.		След всяка работа.	
Уверете се, че режещото оборудване не се движи при обороти на празен ход.	X		
Проверете превключвателя за спиране.	X		
Проверете режещото оборудване и предпазителя на режещото оборудване за повреди и пукнатини. Сменете при повреда.	X		
Проверете защитата за ръцете за повреда и пукнатини. Сменете при повреда.	X		

Поддръжка	Преди работа	След 40 часа	След 100 часа
Извършете проверка на блокировката на регулатора за газта и на регулатора за газта.	X		
Проверете двигателя, резервоара за гориво и горивните линии за течове.	X		
Затегнете гайките и винтовете.	X		
Проверете горивния филтър за замърсяване и маркуча за горивото за пукнатини и други дефекти. При необходимост подменете.	X		
Проверете стартера и въжето за стартиране за повреди.		X	
Почистете въздушния филтър. Сменете ги при необходимост.		X	
Проверете антивибрационните елементи за повреди и пукнатини.		X	
Проверете запалителната свещ, вижте <i>За проверка на запалителната свещ на страница 28.</i>		X	
Почистете системата за охлаждане.		X	
Почистете външната повърхност на карбуратора и мястото около него.		X	
Почистете или подменете искрогасителната мрежа.			X
Почистете вътрешната повърхност на резервоара за гориво.			X
Проверете запалителната свещ.			X
Уверете се, че корпусът на скоростната кутия е напълнен с грес.			X

## Регулиране на оборотите на празния ход

1. Почистете въздушния филтър и поставете капака на въздушния филтър.
2. Включете продукта, вижте *За да стартирате продукта при студен двигател на страница 25.*
3. Завъртете регулиращия винт за празен ход Т по посока на часовниковата стрелка, докато режещото оборудване започне да се движи.



4. Завъртете регулиращия винт на оборотите обратно на часовниковата стрелка, докато режещото оборудване спре.



**ПРЕДУПРЕЖДЕНИЕ:** Ако режещото оборудване не спира, когато регулирате оборотите на празния ход, обърнете се към най-близкия сервизен търговец. Не използвайте продукта, докато не бъде правилно регулиран или ремонтиран.

**Забележка:** Оборотите на празния ход са правилни, когато двигателят работи плавно във всяко положение. За препоръчителните обороти на празния ход направете справка с *Технически характеристики на страница 30.*

## За почистване на системата за охлаждане

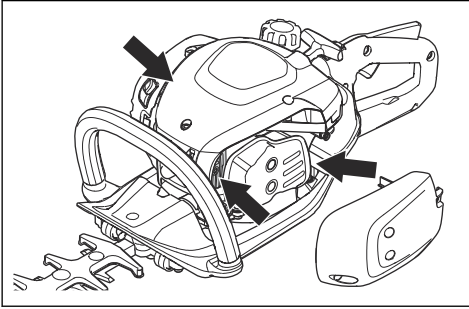
Системата за охлаждане поддържа ниска температурата на двигателя. Системата за охлаждане включва охладителните ребра на цилиндъра и корпуса на стартера.



**ВНИМАНИЕ:** Смукателният въздухопровод между резервоара за гориво и картера лесно може да се

блокира от листа. Почистете изцяло смукателния въздухопровод.

1. Почиствайте с четка системата за охлаждане ежеседмично или по-често, ако е необходимо.
2. Проверете дали системата за охлаждане не е замърсена или задръстена.

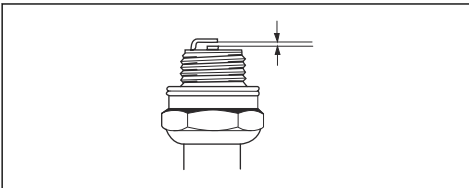


## За проверка на запалителната свещ



**ВНИМАНИЕ:** Използвайте винаги запалителните свещи от препоръчания вид. Използването на запалителна свещ от неправилен тип може да повреди продукта.

- Проверете запалителната свещ, ако двигателят е с понижена мощност, стартира трудно или работи неправомерно при обороти на празен ход.
- За да намалите опасността от попадане на нежелани материали върху електродите на запалителната свещ, следвайте тези инструкции:
  - a) Проверете дали оборотите на празния ход са правилно регулирани.
  - b) Уверете се, че горивната смес е правилна.
  - c) Уверете се, че въздушният филтър е чист.
- Ако запалителната свещ е замърсена, почистете я и проверете дали разстоянието между електродите е правилно, направете справка с *Технически характеристики на страница 30*.



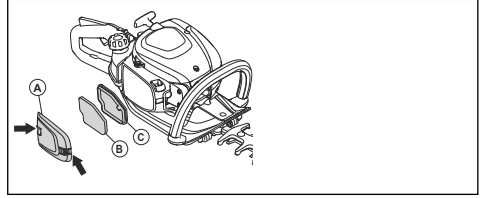
- Сменете запалителната свещ, ако е необходимо.

## Почистване на въздушния филтър

Почиствайте редовно въздушния филтър от замърсявания и прах. Това предотвратява неизправности на карбуратора, проблеми при стартиране, загуба на мощност на двигателя,

износване на части на двигателя и по-голям от обичайния разход на гориво.

1. Махнете капака на въздушния филтър (A).
2. Отстранете масления филтър (B) и филцовия филтър (C) от рамата на филтъра.



3. Сменете филцовия филтър (C).
4. Почистете масления филтър (B) с топла сапунена вода.

**Забележка:** Въздушен филтър, който е използван дълго време, не може да се изчисти напълно. Сменяйте редовно въздушния филтър и винаги сменяйте дефектните въздушни филтри.

5. Уверете се, че масленият филтър (B) е сух.
6. Нанесете масло за въздушен филтър върху въздушния филтър (B). Направете справка с *За нанасяне на масло върху въздушния филтър на страница 28*
7. Почистете вътрешната повърхност на капака на въздушния филтър (A). Използвайте сгъстен въздух или четка.

## За нанасяне на масло върху въздушния филтър



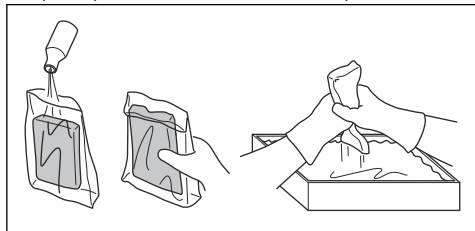
**ВНИМАНИЕ:** Винаги използвайте Husqvarna специално масло за въздушен филтър. Не използвайте други типове масла.



**ПРЕДУПРЕЖДЕНИЕ:** Сложете защитни ръкавици. Маслото за въздушния филтър може да причини раздразнение на кожата.

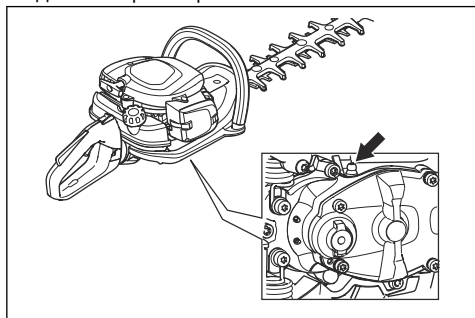
1. Поставете въздушния филтър в найлонова торбичка.
2. Поставете маслото в найлоновата торбичка.
3. Разтрийте найлоновата торбичка, за да разнесете маслото равномерно върху въздушния филтър.

4. Отстранете излишното масло от въздушния филтър, докато е в найоновата торбичка.



## За смазване на корпуса на скоростната кутия

- Използвайте специална грес Husqvarna. Говорете с Вашия дистрибутор по обслужването за повече информация относно препоръчителна грес.
- Добавете греса през смазочния нипел.



**ВНИМАНИЕ:** Не пълнете до горе корпуса на скоростната кутия.

## За почистване и смазване на ножовете

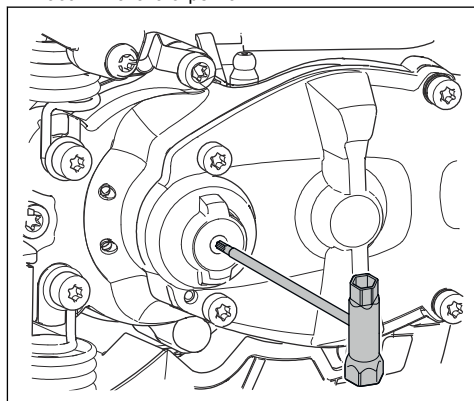
1. Почистете резците от нежелани материали преди и след използване на Вашия продукт.

2. Смажете резците преди дълги периоди на съхранение.

**Забележка:** Обърнете се към Вашия сервизен търговец за повече информация относно препоръчителните почистващи препарати и смазки.

## За проверка на ножовете

1. Отстранете капачката от корпуса на скоростната кутия.
2. Уверете се, че остриетата се движат свободно. Поставете комбинирания гаечен ключ в корпуса на скоростната кутия и завъртете по часовниковата стрелка и обратно на часовниковата стрелка.



3. Проверете ръбовете на остриетата за повреди и деформация.
4. Използвайте пила за отстраняване на неравности върху остриетата.

## Транспортиране, съхранение и изхвърляне

### Транспорт и съхранение

- Винаги оставайте продукта да се охлади преди съхранение.
- При съхранението и транспортирането на продукта и горивото се уверете, че няма течове или изпарения. Искри или открит огън, например от електрически уреди или котли може да възникне пожар.
- Винаги използвайте одобрени контейнери за съхранение и транспортиране на гориво.

- Изпразнете горивото преди транспортиране или преди дългосрочно съхранение. Изхвърлете горивото на подходящо за целта място.
- Закрепете защитата при транспортиране по време на транспортиране и съхранение.
- Отстранете лулата на запалителната свещ от запалителната свещ.
- Закрепете продукта преди транспортиране. Уверете се, че не може да се движи.
- Почистете и извършете обслужване на продукта преди съхранение за дълъг период.

## Технически данни

### Технически характеристики

	522HD60X	522HDR60X	522HDR75X
<b>Двигател</b>			
Обем на цилиндъра, cm <sup>3</sup>	21,7	21,7	21,7
Обороти на празния ход, об/мин	3000	3000	3000
Препоръчителни макс. обороти, об/мин	9200	9200	9200
Максимална мощност на двигателя, в съответствие с ISO 8893, kW/hp @ об/мин	0,6/0,8 при 7800	0,6/0,8 при 7800	0,6/0,8 при 7800
Заглушител на катализатора	Да	Да	Да
<b>Запалителна система</b>			
Запалителна свещ	NGK CMR6A	NGK CMR6A	NGK CMR6A
Разстояние между електродите, mm	0,5	0,5	0,5
<b>Гориво</b>			
Вместимост на резервоара за гориво, l/cm <sup>3</sup>	0,45/450	0,45/450	0,45/450
<b>Тегло</b>			
Без гориво, kg	4,9	5,0	5,2
<b>Шумови емисии <sup>4</sup></b>			
Ниво на звуковата мощност, измерена dB(A)	101	101	101
Ниво на звуковата мощност, гарантирана [L <sub>WA</sub> dB(A)]	102	102	102
<b>Нива на шума <sup>5</sup></b>			
Еквивалентно ниво на шума при ухото на оператора, измерено по EN ISO 10517, dB(A)	93	93	93
<b>Нива на вибрациите <sup>6</sup></b>			
Еквивалентни нива на вибрации (a <sub>hν,eq</sub> ) в ръкохватките, измерени съгласно EN ISO 10517, m/s <sup>2</sup> :			
Предна/задна, mm/s <sup>2</sup>	2,7/1,2	2,8/1,3	2,1/2,2

<sup>4</sup> Шумови емисии в околната среда, измерени като звукова мощност (L<sub>WA</sub>) в съответствие с директива на ЕО 2000/14/ЕО. Отчетеното ниво на шум за продукта е измерено с оригиналното режещо оборудване, което създава най-високото ниво. Разликата между гарантираното и измереното ниво на шума е в това, че гарантираното ниво на шума включва също и дисперсията в резултата от измерването, както и вариациите между различните продукти от един и същи модел в съответствие с Директива 2000/14/ЕО.

<sup>5</sup> Отчетените данни за нивото на звуковото налягане имат типична статистическа дисперсия (стандартно отклонение) от 1 dB (A).

<sup>6</sup> Отчетените данни за равнището на вибрации имат типична статистическа дисперсия (стандартно отклонение) от 1 m/s<sup>2</sup>.

	522HD60X	522HDR60X	522HDR75X
<b>Дискове</b>			
Тип	Двустрaнен	Двустрaнен	Двустрaнен
Ширина на рязане, mm	600	600	750
Скорост на рязане, срез/мин	4400	3200	3200

# Декларация за съответствие

## Декларация за съответствие на ЕС

Ние, **Husqvarna AB**, SE-561 82 Huskvarna, Швеция,  
тел.: +46-36-146500, декларираме на своя собствена  
отговорност, че продуктът:

<b>Описание</b>	Ножици за кастрене на жив плет
<b>Марка</b>	Husqvarna
<b>Тип/модел</b>	522HD60X, 522HDR60X, 522HDR75X
<b>Идентификация</b>	Серийни номера от 2022 и нататък

отговаря напълно на следните директиви и  
регламенти на ЕС:

Регламент	Описание
2006/42/EO	"относно машините"
2014/30/EC	"относно електромагнитната съвместимост"
2000/14/EO	"относно шумовите емисии в околната среда"
2011/65/EC	"по отношение на ограничението за използване на определени опасни вещества в електрическо и електронно оборудване"

и че следните стандарти и/или технически  
спецификации са приложени: EN ISO 12100:2021,  
CISPR 12: 2009, EN ISO 10517:2009/A1:2013, EN IEC  
63000:2018.

RISE SMP Svensk Maskinprovning AB, , извърши  
доброволно изпитване на типа от името на  
Husqvarna AB. Номер на сертификат: SEC/18/2518.

RISE SMP Svensk Maskinprovning AB, ,  
сертифицира съответствие с Директивата на  
Съвета от 8 май 2000 г. "по отношение на  
шумови емисии в околната среда" 2000/14/EO.  
Номера на сертификати: 01/094/026-522HD60X,  
01/094/027-522HDR60X, 522HDR75X.

За информация относно шумови емисии направете  
справка с *Технически данни на страница 30*.

Huskvarna, 2022-05-09

Стефан Холмберг, директор по развойна дейност,  
управление на технологиите, Husqvarna AB

Отговорен за техническата документация



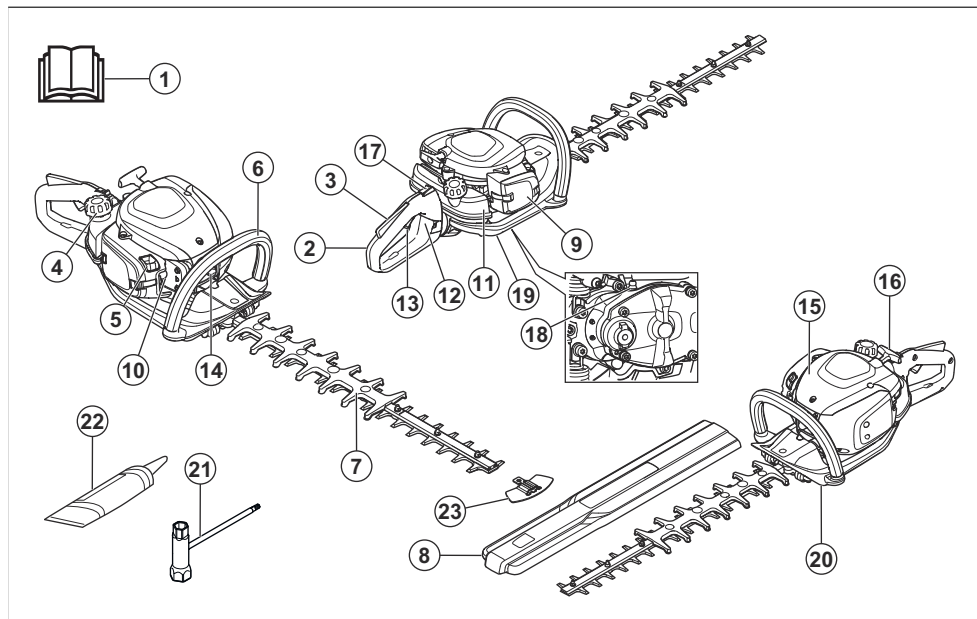


## Obsah

Úvod.....	33	Přeprava, skladování a likvidace.....	44
Bezpečnost.....	34	Technické údaje.....	45
Provoz.....	39	Prohlášení o shodě.....	47
Údržba.....	41		

## Úvod

### Popis výrobku



1. Návod k používání
2. Zadní rukojeť
3. Pojistka páčky plynu
4. Víčko palivové nádrže
5. Ovládání sytiče
6. Přední rukojeť
7. Nůž a kryt nože
8. Převodní kryt
9. Kryt vzduchového filtru
10. Pomocná palivová pumpička
11. Palivová nádrž
12. Zámek rukojeti
13. Páčka plynu
14. Koncovka kabelu zapalovací svíčky a zapalovací svíčka
15. Kryt válce
16. Rukojeť startéru
17. Stop spínač (vypínač zapalování)
18. Maznice
19. Skříň převodky
20. Ochranný kryt ruky
21. Kombinovaný klíč
22. Tuba s mazivem
23. Ochrana špičky nože

### Popis výrobku

Výrobek jsou nůžky na živý plot se spalovacím motorem.

### Doporučené použití

Používejte výrobek ke stříhání větvíček. K jiným činnostem výrobek nepoužívejte.

## Symbols na výrobku



Stop.



Buďte opatrní a výrobek používejte správně. Tento výrobek může způsobit obsluze a dalším osobám vážné zranění.



Před použitím si pozorně prostudujte tento návod k používání a nepoužívejte výrobek, pokud návodu zcela nerozumíte.



Vždy používejte schválenou ochranu sluchu a schválenou ochranu očí.



Používejte schválené ochranné rukavice.



Používejte odolnou obuv s protiskluzovou podrážkou.

# T

Šroub seřízení volnoběžných otáček.

# H

Jehlová tryska vysokých otáček.

# L

Jehlová tryska nízkých otáček.



Emise hluku do životního prostředí podle směrnice EU 2000/14/ES a podle nařízení o regulaci hluku v australském Novém Jižním Walesu „Protection of the Environment Operations (Noise Control) Regulation 2017“. Údaje o emisích hluku naleznete na štítku stroje a v kapitole Technické údaje.

# CE

Výrobek odpovídá příslušným směrnicím ES.

# UK CA

Tento výrobek vyhovuje platným předpisům Spojeného království.

yyyywwxxxx

Typový štítek s výrobním číslem. yyyy znamená rok výroby a ww znamená týden výroby.

**Povšimněte si:** Další symboly/štítky na výrobku se týkají certifikačních požadavků pro určité obchodní trhy.

## Emise Euro V



**VÝSTRAHA:** Manipulace s motorem vede k zneplatnění typového schválení EU tohoto výrobku.

## Bezpečnost

### Definice týkající se bezpečnosti

Varování, upozornění a poznámky slouží jako upozornění na specifické důležité části návodu.



**VÝSTRAHA:** Používá se v případě nebezpečí úrazu nebo usmrcení obsluhy nebo okolních osob, pokud nejsou dodrženy pokyny uvedené v této příručce.



**VAROVÁNÍ:** Používá se v případě nebezpečí poškození výrobku, dalších materiálů či škod na majetku v blízkém okolí, pokud nejsou dodrženy pokyny uvedené v této příručce.

**Povšimněte si:** Používá se k poskytnutí dalších informací, které jsou nezbytné v dané situaci.

### Obecné bezpečnostní pokyny



**VÝSTRAHA:** Před použitím výrobku si přečtěte následující varování.

- Nesprávným nebo neopatrným použitím se výrobek může stát nebezpečným nástrojem, který může způsobit vážná nebo dokonce smrtelná zranění. Je velmi důležité přečíst si tento návod a porozumět jeho obsahu.
- Tento výrobek vytváří během provozu elektromagnetické pole. Toto pole může za určitých

- okolností narušovat funkci aktivních či pasivních implantovaných lékařských přístrojů. Za účelem snížení rizika možného zranění nebo smrtelného úrazu doporučujeme osobám s implantovanými lékařskými přístroji poradit se před použitím výrobku s lékařem a s výrobcem implantovaného lékařského přístroje.
- Nadměrné vystavení vibracím může u osob se zhoršenou funkcí krevního oběhu vést k poruchám oběhového nebo nervového systému. V případě, že byste pocítili příznaky obtíží způsobených nadměrným vystavením vibracím, obraťte se na svého lékaře. Mezi tyto příznaky patří strnulost končetin, ztráta citu, mravenčení, píchání, bolest, zeslábnutí, změna barvy nebo plevu nebo pokožky. Tyto příznaky se obvykle objevují v prstech, na rukou nebo v zápěstí. Riziko se může zvýšit při nízkých teplotách.
  - Dostanete-li se do situace, kdy pocítíte jakoukoliv pochybnost co do práce s vybavením, požádejte o radu odborníka. Spojte se s vaším prodejcem nebo servisem. Nepoužívejte vybavení, necítíte-li se dostatečně kvalifikováni.
  - Mějte na paměti, že obsluha je odpovědná za nehody a rizika vzniklá jiným osobám nebo jejich majetku.
  - Nedovolte pracovat s výrobkem nikomu, kdo si předem nepřečetl a neporozuměl obsahu návodu k používání.
  - Nenechte nikdy děti používat výrobek nebo se zdržovat v jeho blízkosti. Jelikož je výrobek vybaven vypínačem se zpětným přerováním a k jeho nastartování je třeba nízká rychlost a malý tlak na rukojeť startovací šňůry, mohou i děti za určitých okolností mít sílu potřebnou k nastartování stroje. Tím může dojít k nebezpečí vážného úrazu. Proto z výrobku v době, kdy není plně pod dozorem, vždy odpojte koncovku kabelu zapalovací svíčky.
  - Výrobek uchovávejte mimo dosah dětí.
  - Nikdy nepoužívejte výrobek, jste-li unaveni, jestliže jste požíli alkohol nebo jestliže užíváte léky, které by mohly ovlivnit váš zrak, úsudek nebo pohybovou koordinaci.
  - Nikdy nepoužívejte produkt, který není zcela v pořádku. Pravidelně provádějte kontroly a údržbu podle servisních pokynů popsanych v této příručce. Některé úkony údržby a opravy mohou provádět pouze vyškolení a kvalifikovaní odborníci. Přečtěte si pokyny v části Údržba.
  - Nikdy nepoužívejte výrobek, jehož konstrukce byla jakkoli pozměněna oproti jeho původním specifikacím.
  - Nikdy nepoužívejte výrobek za zvláště nepříznivých povětrnostních podmínek, např. za silného mrazu nebo ve velkém horku anebo vlhku.
  - Poškozené nože mohou zvýšit nebezpečí vzniku nehod.
  - Během práce zajistěte, aby se k vám nikdo nepřiblížil na méně než 15 m (50 stop).
  - Sledujte své okolí a přesvědčte se, že nehrozí žádné nebezpečí, že by mohly nějaké osoby nebo zvířata přijít do styku se stříhacím zařízením.
  - Zkontrolujte pracovní prostor. Odstraňte všechny předměty, které mohou být odmrštěny.
  - Vždy dbejte na to, abyste při práci převně a stabilně stáli.
  - Pokud je spuštěný motor, nikdy nenechávejte produkt bez dozoru.
  - Jestliže motor běží, zajistěte, aby se vaše ruce a nohy nedostaly do blízkosti žacího ústrojí.
  - Jestliže se při práci něco zachytí mezi čepele, vypněte stroj, a než vyčistíte čepele, počkejte, až se stroj zcela zastaví. Odpojte přívodní vodič od zapalovací svíčky. Další informace naleznete v části *Prohlídka nožů na strani 44*.
  - Je-li motor vypnutý, nepřibližujte ruce ani nohy k žacímu ústrojí, dokud se zcela nezastaví.
  - Dávejte pozor na větve nebo pahýly, které mohou během stříhání vylézat.
  - Používáte-li ochranu sluchu, vždy je nutné dávat pozor na výstražné signály nebo volání. Sejměte vždy ochranu sluchu ihned po zastavení motoru.
  - Nikdy nepracujte ze žebříku, stoličky nebo v jiné zvýšené poloze, která není dokonale zajištěna.
  - K přidržování výrobku vždy používejte obě ruce. Výrobek držte před svým tělem.
  - Pokud dojde k zasažení cizího objektu nebo se objeví vibrace, okamžitě produkt zastavte. Odpojte přívodní vodič od zapalovací svíčky. Zkontrolujte, zda není produkt poškozený. Opravte veškerá poškození.
  - Aby se zabránilo nebezpečí úrazu elektrickým proudem, kontrolujte, zda nejsou koncovka kabelu zapalovací svíčky a kabel zapalování poškozené.
  - Zkontrolujte, zda jsou všechny matice a šrouby dotažené.
  - Ověřte si, zda je skříň převodovky řádně promazána. Další informace naleznete v části *Promazání skříňe převodovky na strani 44*.
  - Skříň převodovky se za provozu výrobku zahřívá. Skříň převodovky se nedotýkejte, abyste se nepopálili.
  - Všechny kryty a ochranné kryty musí být před zahájením práce upevněny.
  - Jestliže výrobek nepoužíváte, na žací ústrojí vždy nasadte přepravní kryt.

## Bezpečnostní pokyny pro provoz



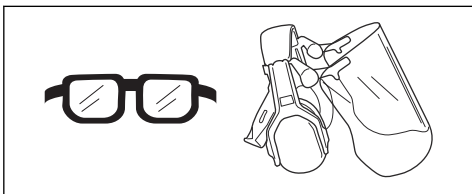
**VÝSTRAHA:** Před použitím výrobku si přečtěte následující varování.

## Osobní ochranné prostředky

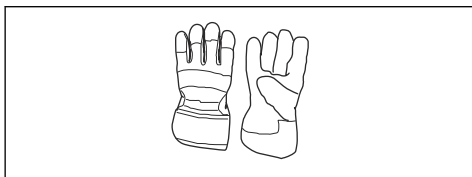


**VÝSTRAHA:** Před použitím výrobku si přečtěte následující varování.

- Při použití výrobku je nutné vždy používat schválené osobní ochranné prostředky. Osobní ochranné prostředky nemohou zcela eliminovat nebezpečí úrazu, ale v případě nehody pomáhají snížit míru poranění. Požádejte prodejce, aby vám pomohl vybrat správné vybavení.
- Použijte schválenou ochranu sluchu s dostatečným tlumícím účinkem. Dlouhodobé vystavování působení hluku může vést k trvalému poškození sluchu.
- Vždy používejte schválenou ochranu očí. Použijete-li štít, je nutno použít i schválené ochranné brýle. Schválené ochranné brýle musí být v souladu s normou ANSI Z87.1 v USA nebo EN 166 v zemích EU.



- Při určitých činnostech používejte rukavice, například při nasazování, prohlídce nebo čištění stříhacího zařízení.



- Používejte pevnou, protiskluzovou obuv.



- Noste oblečení vyrobené z pevné tkaniny. Vždy používejte silné, dlouhé kalhoty a dlouhé rukávy. Nepoužívejte volné oblečení, které se může zachytit o keře nebo větve. Nepoužívejte šperky, krátké kalhoty nebo sandály a nepracujte bosí. Stáhněte si vlasy bezpečně nahoru nad úroveň ramen.

- Mějte při ruce lékárníčku.



## Bezpečnostní zařízení na produktu

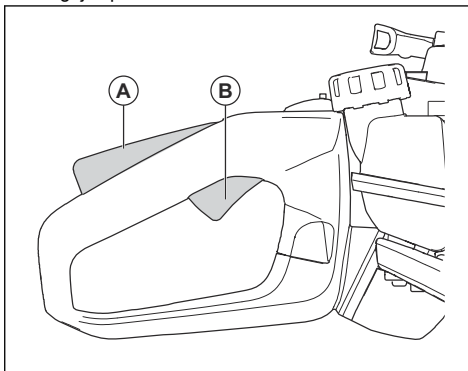


**VÝSTRAHA:** Před použitím výrobku si přečtěte následující varování.

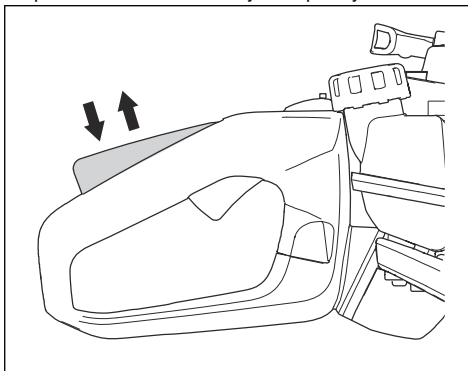
- Nepoužívejte výrobek, jehož bezpečnostní zařízení jsou vadná!
- Pravidelně kontrolujte bezpečnostní zařízení. Pokud je zařízení vadné, obraťte se na servis Husqvarna.

### Kontrola pojistky páčky plynu

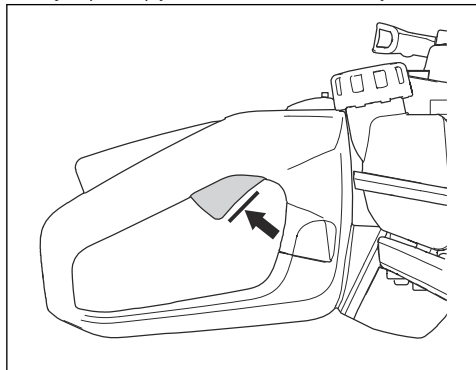
1. Zkontrolujte, zda se pojistka páčky plynu (A) a páčka plynu (B) volně pohybují a zda vratná pružina funguje správně.



2. Stiskněte pojistku páčky plynu a zkontrolujte, zda se po uvolnění vrátí do své výchozí polohy.



3. Zkontrolujte, zda se při uvolnění pojistky páčky plynu zajistí páčka plynu v nastavení volnoběžných otáček.



4. Spusťte výrobek a nastavte plný plyn.
5. Uvolněte páčku plynu a zkontrolujte, zda se nůž zastaví a zůstane v klidu.



**VÝSTRAHA:** Pokud se nože pohybují, když je páčka plynu v poloze volnoběžných otáček, je třeba na karburátoru upravit nastavení volnoběžných otáček. Další informace naleznete v části *Úprava volnoběžných otáček na strani 42*.

#### Kontrola vypínače

1. Nastartujte motor.
2. Stiskněte vypínač do polohy Stop a zkontrolujte, zda se vypne motor.



**VÝSTRAHA:** Vypínač se automaticky vrátí do startovací polohy. Abyste se při montáži nebo údržbě výrobku vyhnuli náhodnému nastartování, odpojte koncovku kabelu zapalovací svíčky ze zapalovací svíčky.

#### Kontrola ochranného krytu ruky

Ochranný kryt ruky brání zraněním způsobeným noží.

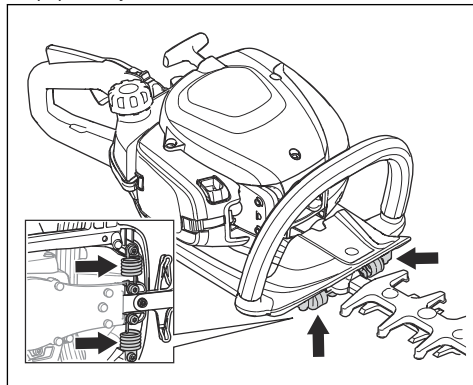
1. Vypněte motor.
2. Zkontrolujte, zda je ochranný kryt ruky řádně připevněn.
3. Zkontrolujte, zda není ochranný kryt ruky poškozený.

#### Kontrola systému tlumení vibrací

Systém tlumení vibrací snižuje vibrace v rukojetích. Antivibrační prvky fungují jako tlumič mezi tělem výrobku a rukojetí.

1. Proveďte vizuální kontrolu ohledně deformací a poškození.

2. Zkontrolujte, zda jsou antivibrační prvky správně připevněny.



#### Kontrola tlumiče výfuku



**VÝSTRAHA:** Nepoužívejte výrobek bez tlumiče výfuku nebo s vadným tlumičem výfuku. Vadný tlumič výfuku může zvýšit hladinu hluku a nebezpečí požáru. Nepoužívejte výrobek bez lapače jisker nebo s poškozeným sítkem lapače jisker. Pokud je sítko lapače jisker poškozené, je nutné jej vyměnit.



**VÝSTRAHA:** Tlumiče výfuku se za provozu velmi zahřívají, a to i při volnoběžných otáčkách.



**VAROVÁNÍ:** Často ucpané sítko lapače jisker indikuje sníženou funkčnost katalyzátoru. Požádejte servis o kontrolu tlumiče výfuku. Znečištěné sítko lapače jisker způsobuje přehřívání, které může vést k poškození válce a pístu.

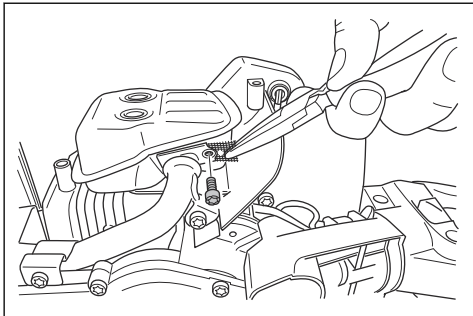


**VÝSTRAHA:** Vnitřní povrchy tlumiče výfuku obsahují chemikálie, které způsobují rakovinu. Nedotýkejte se těchto prvků, pokud je tlumič poškozený.

Tlumič výfuku je určen k omezení úrovně hluku na minimum a k usměrnění výfukových plynů směrem od obsluhy. Tlumič výfuku s katalytickým konvertorem snižuje množství škodlivých výfukových plynů.

1. Vypněte motor.
2. Proveďte vizuální kontrolu ohledně poškození a deformací.
3. Pravidelně kontrolujte, zda je tlumič výfuku správně připevněn k výrobku.

#### 4. Vyčistěte sítko lapače jisker drátěným kartáčkem.



#### Kontrola nožů a krytu nožů

Vnější části nožů mají funkci krytu nože. Kryt nože zabraňuje řezným poraněním.

1. Vypněte motor a přesvědčte se, že se nože zastavily.
2. Ze zapalovací svíčky vyjměte koncovku kabelu zapalovací svíčky.
3. Používejte ochranné rukavice.
4. Zkontrolujte, zda nejsou nůž ani kryt nože poškozené nebo ohnuté. Poškozený nebo ohnutý nůž, či kryt nože vždy vyměňte.
5. Zkontrolujte, že jsou šrouby na nožích a krytu nože utažené.

#### Bezpečnost při manipulaci s palivem



**VÝSTRAHA:** Před použitím výrobku si přečtěte následující varování.

- Pokud je na výrobku palivo nebo olej, nespouštějte ho. Nechtěné palivo/olej z výrobku odstraňte a nechte výrobek uschnout.
- Pokud si palivem polijete oblečení, okamžitě se převlékněte.
- Zabraňte styku paliva s tělem, může způsobit zranění. Pokud se polijete palivem, omyjte zasažené místo vodou a mýdlem.
- Nepouštějte motor, pokud z něj něco uniká. Pravidelně kontrolujte, jestli z motoru nic neuniká.
- Při manipulaci s palivem buďte opatrní. Palivo je hořlavé a výpary jsou výbušné a můžou způsobit zranění nebo smrt.
- Nevdechujte palivové výpary, můžou způsobit zranění. Zajistěte dostatečný průtok vzduchu.
- V blízkosti paliva ani motoru nekuřte.

- Do blízkosti paliva ani motoru neumístejte horké předměty.
- Když je spuštěný motor, nedoplňujte palivo.
- Než začnete doplňovat palivo, přesvědčte se, že je motor studený.
- Než doplníte palivo, pomalu otevřete uzávěr palivové nádrže a opatrně uvolněte tlak.
- Palivo do motoru nedoplňujte ve vnitřních prostorech. Nedostatečné proudění vzduchu může způsobit zranění nebo smrt udušením nebo otravou kyslíčnickem uhelnatým.
- Pevně dotáhněte víčko palivové nádrže. Není-li víčko palivové nádrže dotažené, hrozí nebezpečí požáru.
- Než výrobek spustíte, přejděte s ním minimálně 3 m (10 stop) od místa, kde jste doplňovali palivo.
- Nenaplňujte palivovou nádrž na maximum. Teplem dochází k rozpínání paliva. V horní části palivové nádrže udržujte volný prostor.

#### Bezpečnostní pokyny pro údržbu



**VÝSTRAHA:** Před použitím výrobku si přečtěte následující varování.

- Vypněte motor a přesvědčte se, že se řezací zařízení zastavilo. Před prováděním údržby nechte výrobek vychladnout.
- Před prováděním údržby odpojte koncovku kabelu zapalovací svíčky.
- Výfukové plyny obsahují oxid uhelnatý, jedovatý a velmi nebezpečný plyn bez zápachu, který může způsobit smrt. Nenechávejte výrobek spuštěný ve vnitřních nebo uzavřených prostorech.
- Výfukové plyny z motoru jsou horké a mohou obsahovat jiskry. Nepoužívejte výrobek uvnitř budov ani v blízkosti hořlavých materiálů.
- Příslušenství a změny výrobku, které neschválí výrobce, mohou způsobit vážné zranění nebo úmrtí. Neprovádějte změny na výrobku. Vždy používejte originální příslušenství.
- Při nesprávném nebo nepravdělném provádění údržby se zvyšuje nebezpečí poranění a poškození výrobku.
- Provádějte pouze údržbu uvedenou v tomto návodu k používání. Veškerý další servis musí provést schválený servisní pracovník Husqvarna.
- Servis výrobku by měl provádět schválený servisní pracovník Husqvarna v pravidelných intervalech.
- Poškozené, opotřebené či prasklé součásti vyměňte.

# Provoz

## Úvod



**VÝSTRAHA:** Než začnete s výrobkem pracovat, přečtěte si důkladně kapitolu o bezpečnosti.

## Palivo

Tento výrobek je vybaven dvoudobým motorem.



**VAROVÁNÍ:** Používání nesprávného typu paliva může vést k poškození motoru. Používejte směs benzínu a oleje pro dvoudobé motory.

## Předmíchané palivo

- Používejte předmíchané alkylátové palivo Husqvarna. Zajistí nejlepší výkon výrobku a prodlouží životnost motoru. Toto palivo obsahuje méně škodlivých chemikálií v porovnání s běžným palivem a snižuje množství škodlivých výfukových plynů. Množství zbytků po spálení je s tímto palivem menší a díky tomu jsou součásti motoru čistější.

## Míchání paliva

### Benzín

- Používejte kvalitní bezolovnatý benzín s obsahem etanolu maximálně 10 %.



**VAROVÁNÍ:** Nepoužívejte benzín s oktanovým číslem nižším než 90 RON/87 AKI. Při použití benzínu s nízkým oktanovým číslem může docházet ke klepání motoru, které způsobuje jeho poškození.

### Olej pro dvoudobé motory

- Nejlepších výsledků dosáhnete s olejem pro dvoudobé motory Husqvarna.
- Nemí-li k dispozici olej pro dvoudobé motory Husqvarna, použijte kvalitní olej pro dvoudobé motory určený pro vzduchem chlazené motory. Správný olej vám doporučí servisní prodejce.



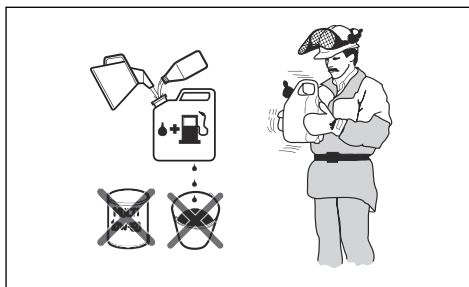
**VAROVÁNÍ:** Nepoužívejte olej pro dvoudobé motory chlazené vodou (olej pro lodní motory). Nepoužívejte olej pro čtyřdobé motory.

## Míchání paliva a oleje pro dvoudobé motory

Benzín, l	Olej pro dvoutaktní motory, l
	<b>2 % (50:1)</b>
5	0,10
10	0,20
15	0,30
20	0,40



**VAROVÁNÍ:** Při míchání pouze malého množství paliva hrozí riziko, že malá chyba v poměru významně ovlivní výslednou směs. Pečlivě odměřte množství oleje, který bude přimíchán do paliva, aby bylo zajištěno, že docílíte správného poměru.



1. Doplňte polovinu množství benzínu do čisté nádoby na palivo.
2. Přidejte celé množství oleje.
3. Směs paliva řádně protřepejte.
4. Přidejte do nádoby zbývající množství benzínu.
5. Směs paliva dobře protřepejte.



**VAROVÁNÍ:** Neskladujte směs paliva déle než 1 měsíc.

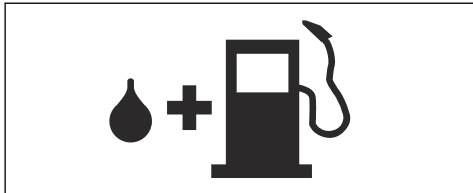
## Doplňování paliva do palivové nádrže



**VÝSTRAHA:** Z bezpečnostních důvodů dodržujte následující postup.

1. Vypněte motor a nechte jej vychladnout.

2. Očistěte plochu kolem víčka palivové nádrže.



3. Protřepejte nádobu, aby se palivo zcela promíchalo.
4. Víčko palivové nádrže otevřete pomalu, aby se uvolnil tlak.
5. Naplňte palivovou nádrž.



**VAROVÁNÍ:** Ujistěte se, že v palivové nádrži není příliš mnoho paliva. Palivo se rozpíná, jakmile se zahřeje.

6. Pevně dotáhněte víčko palivové nádrže.
7. Očistěte rozlité palivo na výrobku a v jeho okolí.
8. Před nastartováním přemístěte výrobek alespoň 3 m (10 stop) od místa, kde jste doplňovali palivo, a zdroje paliva.

**Povšimněte si:** Umístění palivové nádrže na výrobku naleznete v části *Popis výrobku na strani 33*.

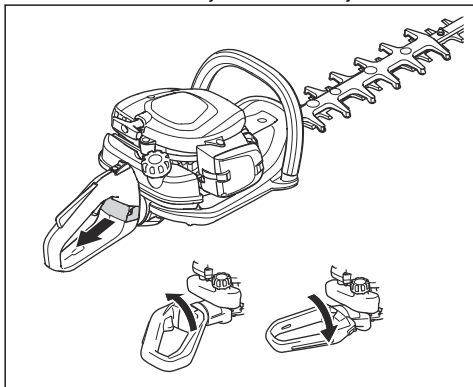
## Montáž ochrany špičky nože

1. Demontujte matici a šroub na špičce nože.
2. Namontujte ochranu špičky nože na špičku nože.
3. Namontujte šroub a utáhněte jej momentem 7 Nm.
4. Namontujte matici a utáhněte ji momentem 5 Nm.

## Nastavení rukojeti

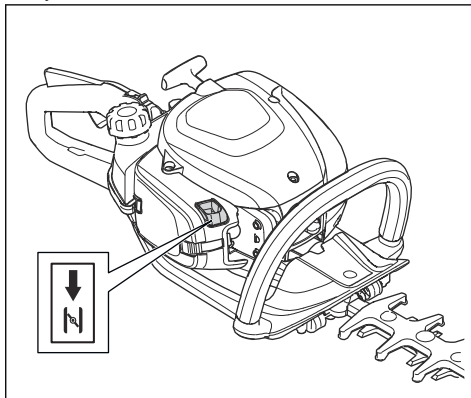
Zadní rukojeť lze nastavit do 3 poloh.

- Uvolněte zámek rukojeti a otočte rukojeť.



## Spouštění výrobku se studeným motorem

1. Vytažením ovládání sytiče jej přesuňte do polohy sycení.



2. Stiskněte přibližně 6x pomocnou palivovou pumpičku, dokud se nezačne plnit palivem. Není nezbytné zcela naplnit pomocnou palivovou pumpičku.
3. Přitiskněte celý výrobek k zemi levou rukou. Na výrobek nešlapejte.
4. Pomalu vytáhněte rukojeť startovací šňůry pravou rukou, než ucítíte odpor, a poté rychle silou zatáhněte za rukojeť startovací šňůry.



**VÝSTRAHA:** Nikdy si neomotávejte startovací šňůru kolem ruky.



**VAROVÁNÍ:** Nevytahujte celou délku startovací šňůry a nepouštějte rukojeť.

5. Tahejte za rukojeť lana startéru, až se motor spustí. Poté zatlačte ovládání sytiče do původní polohy.



**VÝSTRAHA:** Jakmile nastartuje motor, nože se roztočí.

6. Tahejte za rukojeť startovací šňůry, až se motor spustí.
7. Stlačením a uvolněním páčky plynu nastavíte motor na volnoběžné otáčky.
8. Postupným stisknutím páčky plynu zvýšíte otáčky motoru.
9. Zkontrolujte, zda motor běží plynule.



## Spouštění výrobku s teplým motorem

1. Přitiskněte celý výrobek k zemi levou rukou. Na výrobek nešlapejte.
2. Pomalu vytáhněte rukojeť startovací šňůry pravou rukou, než ucítíte odpor, a poté rychle silou zatáhnete za rukojeť startovací šňůry. Pokračujte, dokud motor nenastartuje.

**Povšimněte si:** Další informace týkající se spuštění výrobku naleznete v části *Spouštění výrobku se studeným motorem na strani 40.*

## Zastavení výrobku

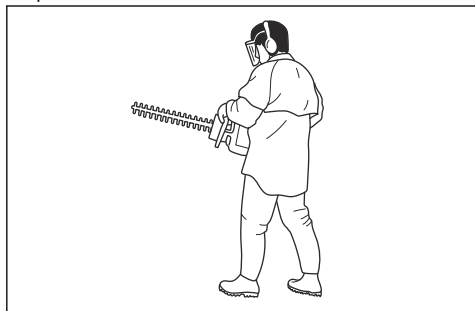
- Posunutím vypínače do vypínací polohy vypněte motor.



**VAROVÁNÍ:** Vypínač se automaticky vrátí do provozní polohy.

## Obsluha výrobku

1. Při stříhání boků začněte v blízkosti země a pohybujte výrobkem nahoru podél živého plotu. Zkontrolujte, zda se tělo výrobku nedotýká živého plotu.



## Údržba

### Úvod



**VÝSTRAHA:** Než začnete na výrobku provádět údržbu, přečtěte si pozorně kapitolu o bezpečnosti.

### Plán údržby

Údržba	Před provozem	Po 40 h	Po 100 h
Vyčistěte vnější povrch.			Po každém použití.



**VÝSTRAHA:** Zkontrolujte, zda se přední část stříhacího zařízení nedotýká země.

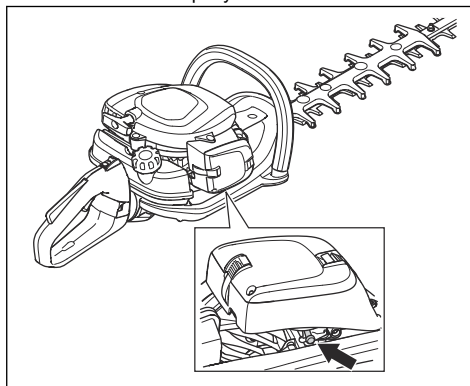
2. Nastavte otáčky podle pracovní zátěže.
3. Drže výrobek v blízkosti těla a udržujte stabilní pracovní polohu.
4. Buďte opatrní a výrobek používejte pomalu.

Údržba	Před provozem	Po 40 h	Po 100 h
Odstraňte z tlumiče výfuku, výfukového potrubí a motoru listí, nečistoty a přebytečné mazivo.	Po každém použití.		
Zkontrolujte, zda se stříhací nástavec nepohybuje při chodu motoru na volnoběžné otáčky.	X		
Proveďte kontrolu vypínače.	X		
Zkontrolujte, zda není stříhací nástavec a kryt stříhacího nástavce poškozený nebo naprasklý. V případě poškození proveďte výměnu.	X		
Zkontrolujte, zda není ochranný kryt ruky poškozený nebo naprasklý. V případě poškození proveďte výměnu.	X		
Proveďte kontrolu pojistky páčky plynu a páčky plynu.	X		
Zkontrolujte těsnost motoru, palivové nádrže a palivových vedení.	X		
Dotáhněte matice a šrouby.	X		
Zkontrolujte, zda není palivový filtr znečištěný nebo hadice přívodu paliva popraskaná nebo zda nejsou přítomny jiné závady. V případě potřeby je vyměňte.	X		
Zkontrolujte startér a startovací šňůru ohledně poškození.		X	
Vyčistěte vzduchový filtr. V případě potřeby proveďte výměnu.		X	
Zkontrolujte, zda nejsou antivibrační prvky poškozené nebo naprasklé.		X	
Zkontrolujte zapalovací svíčku viz <i>Kontrola zapalovací svíčky na strani 43</i> .		X	
Vyčistěte chladicí systém.		X	
Vyčistěte vnější povrch karburátoru a jeho okolí.		X	
Vyčistěte nebo vyměňte lapač jisker.			X
Vyčistěte vnitřní povrch palivové nádrže.			X
Zkontrolujte zapalovací svíčku.			X
Zkontrolujte, zda je skříň převodovky naplněná mazivem.			X

## Úprava volnoběžných otáček

1. Vyčistěte vzduchový filtr a kryt vzduchového filtru.
2. Spusťte výrobek, viz *Spouštění výrobku se studeným motorem na strani 40*.

3. Otáčejte stavěcím šroubem T volnoběžných otáček ve směru hodinových ručiček, dokud se řezací nástavec nezačne pohybovat.



4. Otáčejte stavčím šroubem proti směru hodinových ručiček, dokud se stříhací nástavec nezastaví.



**VÝSTRAHA:** Pokud se řezací nástavec nezastaví po nastavení volnoběžných otáček, obraťte se na nejbližší servis. Nepoužívejte výrobek, dokud není správně seřízen nebo opraven.

**Povšimněte si:** Rychlost volnoběhu je správná tehdy, když má motor klidný chod v každé poloze. Doporučené volnoběžné otáčky naleznete v části *Technické údaje na strani 45*.

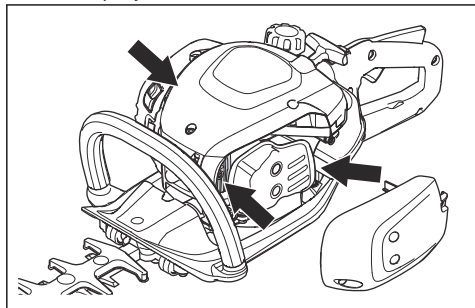
## Čištění chladicího systému

Chladicí systém brání nadměrnému zvýšení teploty motoru. Chladicí systém se skládá z chladicích žeber na válci a krytu startéru.



**VAROVÁNÍ:** Přívod vzduchu mezi palivovou nádrží a klikovou skříň se lehce ucpe listím. Zcela vyčistěte přívod vzduchu.

1. Čistěte chladicí systém kartáčem jednou týdně nebo v případě potřeby častěji.
2. Zkontrolujte, zda není chladicí systém znečištěný nebo ucpaný.



## Kontrola zapalovací svíčky

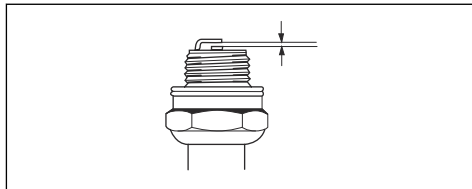


**VAROVÁNÍ:** Vždy používejte doporučený typ zapalovacích svíček. Nesprávný typ zapalovací svíčky může způsobit poškození výrobku.

- Zkontrolujte zapalovací svíčku, pokud má motor malý výkon, špatně startuje nebo nefunguje správně ve volnoběžných otáčkách.
- Aby se snížilo nebezpečí přítomnosti nechtěných materiálů na elektrodách zapalovací svíčky, dodržujte tyto pokyny:
  - a) Zkontrolujte, zda jsou správně nastaveny volnoběžné otáčky.

- b) Zkontrolujte správnost palivové směsi.
- c) Zkontrolujte, zda je vzduchový filtr čistý.

- Jestliže je zapalovací svíčka znečištěná, vyčistěte ji a zkontrolujte, zda je vzdálenost elektrod zapalovací svíčky správná, viz část *Technické údaje na strani 45*.

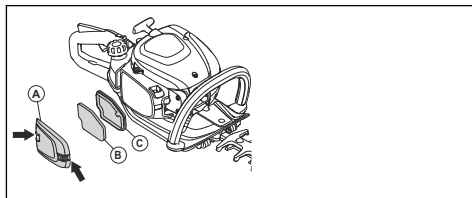


- V případě potřeby zapalovací svíčku vyměňte.

## Čištění vzduchového filtru

Pravidelně odstraňujte nečistoty a prach ze vzduchového filtru. To slouží jako prevence poruch karburátoru, problémů se startováním, ztráty výkonu motoru, opotřebením dílů motoru a větší než obvyklé spotřeby paliva.

1. Demontujte kryt vzduchového filtru (A).
2. Vyměňte pěnový filtr (B) a plstěný filtr (C) z rámu filtru.



3. Vyměňte plstěný filtr (C).
4. Vyčistěte pěnový filtr (B) teplou mýdlovou vodou.

**Povšimněte si:** Vzduchový filtr, který je používán po delší dobu, již nelze zcela vyčistit. Vzduchový filtr pravidelně vyměňujte a vždy vyměňte vadný vzduchový filtr.

5. Ujistěte se, že je pěnový filtr (B) suchý.
6. Naneste na pěnový filtr (B) olej na vzduchové filtry. Viz část *Nanesení oleje na vzduchový filtr na strani 43*
7. Vyčistěte vnitřní povrch krytu vzduchového filtru (A). Použijte stlačený vzduch nebo kartáč.

## Nanesení oleje na vzduchový filtr

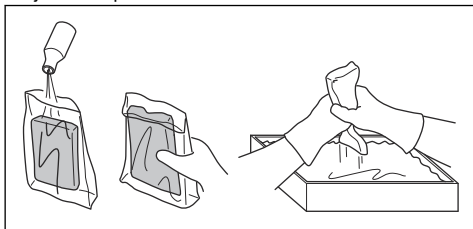


**VAROVÁNÍ:** Vždy používejte speciální olej Husqvarna na vzduchové filtry. Jiné druhy oleje nepoužívejte.



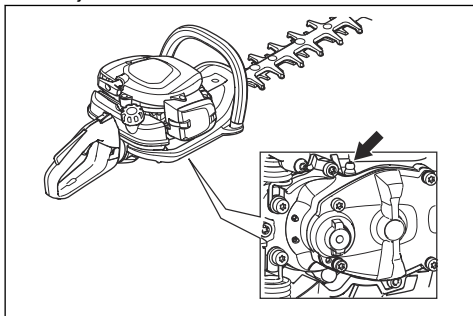
**VÝSTRAHA:** Používejte ochranné rukavice. Olej na vzduchový filtr může způsobit podráždění pokožky.

1. Vložte vzduchový filtr do plastového sáčku.
2. Nalijte olej do plastového sáčku.
3. Plastový sáček promněte, aby se olej rozprostřel po celém vzduchovém filtru.
4. Vytlačte přebytečný olej ze vzduchového filtru, když je stále v plastovém sáčku.



## Promazání skříně převodovky

- Používejte speciální mazivo Husqvarna. Další informace o doporučeném mazivu získáte u svého servisního prodejce.
- Přidejte mazivo do maznice.



**VAROVÁNÍ:** Skříní převodovky neplňte naplno.

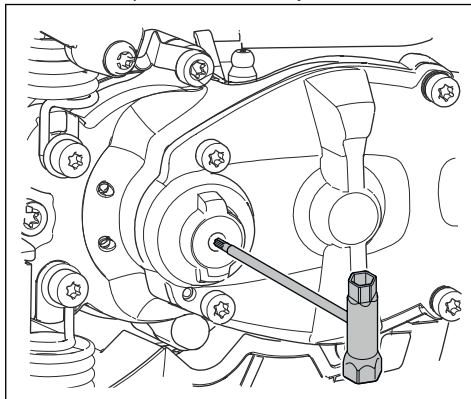
## Čištění a mazání nožů

1. Před a po použití výrobku odstraňte z nožů nežádoucí materiály.
2. Před dlouhodobým uložením namažte nože.

**Povšimněte si:** Další informace o doporučených čisticích prostředcích a mazivu získáte u svého servisního prodejce.

## Prohlídka nožů

1. Odšroubujte víčko na skříní převodovky.
2. Zkontrolujte, zda se nože volně pohybují. Vložte kombinovaný klíč do skříně převodovky a otočte jím ve směru a proti směru hodinových ručiček.



3. Zkontrolujte, zda nejsou ostří nožů poškozená nebo deformovaná.
4. Pomocí pilníku odstraňte z nožů otěpy.

## Přepava, skladování a likvidace

### Přepava a skladování

- Před uložením nechte výrobek vychladnout.
- Před uskladněním a přepravou výrobku či paliva zkontrolujte, zda nejsou přítomny známky úniku nebo výparů. Jiskry a otevřený oheň, například z elektrických zařízení nebo kotlů, mohou zažhnout požár.
- Vždy používejte schválené nádoby na skladování a přepravu paliva.
- Před přepravou nebo dlouhodobým uskladněním vyprázdňte palivovou nádrž. Odevzdejte palivo na příslušném sběrném místě.

- Během přepravy a skladování musí být nasazený přepravní kryt.
- Ze zapalovací svíčky vyjměte koncovku kabelu zapalovací svíčky.
- Během přepravy musí být výrobek řádně upevněný. Ujistěte se, že se nepohybuje.
- Před dlouhodobým uskladněním výrobek vyčistěte a proveďte servis.

## Technické údaje

### Technické údaje

	522HD60X	522HDR60X	522HDR75X
<b>Motor</b>			
Zdvihový objem válce, cm <sup>3</sup>	21,7	21,7	21,7
Volnoběžné otáčky, ot/min	3000	3000	3000
Doporučené maximální otáčky, ot/min	9200	9200	9200
Max. výkon motoru, dle normy ISO 8893, kW/hp při ot/min	0,6/0,8 při 7800	0,6/0,8 při 7800	0,6/0,8 při 7800
Tlumič zaběhnutý s katalyzátorem	Ano	Ano	Ano
<b>Systém zapalování</b>			
Zapalovací svíčka	NGK CMR6A	NGK CMR6A	NGK CMR6A
Vzdálenost elektrod, mm	0,5	0,5	0,5
<b>Palivo</b>			
Objem palivové nádrže, l/cm <sup>3</sup>	0,45/450	0,45/450	0,45/450
<b>Hmotnost</b>			
Bez paliva, kg	4,9	5,0	5,2
<b>Emise hluku <sup>7</sup></b>			
Hladina akustického výkonu, změřená dB (A)	101	101	101
Hladina akustického výkonu, zaručená L <sub>WA</sub> dB (A)	102	102	102
<b>Hladiny hluku <sup>8</sup></b>			
Ekvivalentní hladina akustického tlaku v úrovni uší obsluhy, změřená podle EN ISO 10517, dB (A)	93	93	93
<b>Úrovně vibrací <sup>9</sup></b>			
Ekvivalentní hladiny vibrací (a <sub>hv,eq</sub> ) v rukojetích, měřené podle norem EN ISO 10517, v m/s <sup>2</sup> :			
Přední/zadní, mm/s <sup>2</sup>	2,7/1,2	2,8/1,3	2,1/2.2
<b>Nože</b>			
Typ	Dvoustranné	Dvoustranné	Dvoustranné

<sup>7</sup> Emise hluku v životním prostředí měřené jako akustický výkon (L<sub>WA</sub>) v souladu se směrnici 2000/14/ES. Uváděná hladina akustického výkonu pro výrobek byla měřena s originálním stříhacím nástavcem, který generuje nejvyšší hladinu. Rozdíl mezi garantovaným a měřeným akustickým výkonem je v tom, že garantovaný akustický výkon rovněž zahrnuje rozptýl výsledků měření a rozdílů mezi různými výrobky téhož modelu podle Směrnice 2000/14/ES.

<sup>8</sup> Uváděná data pro hladinu tlaku zvuku mají typickou statistickou odchylku (standardní odchylku) 1 dB (A).

<sup>9</sup> Uváděná data o úrovni vibrací mají typickou statistickou odchylku (standardní odchylku) 1 m/s<sup>2</sup>.

	<b>522HD60X</b>	<b>522HDR60X</b>	<b>522HDR75X</b>
Délka řezu, mm	600	600	750
Rychlost, řezů/min	4400	3200	3200

# Prohlášení o shodě

## Prohlášení o shodě EU

Společnost **Husqvarna AB**, SE-561 82 Huskvarna,  
Švédsko, tel.: +46-36-146500, na svou výhradní  
odpovědnost prohlašuje, že výrobek:

<b>Popis</b>	Nůžky na živý plot
<b>Značka</b>	Husqvarna
<b>Typ/Model</b>	522HD60X, 522HDR60X, 522HDR75X
<b>Identifikace</b>	Výrobní čísla od roku 2022 a dále

je zcela ve shodě s následujícími směrnici a předpisy  
EU:

<b>Nařízení</b>	<b>Popis</b>
2006/42/ES	„o strojních zařízeních“
2014/30/EU	„o elektromagnetické kompatibilitě“
2000/14/ES	„týkající se emisí hluku do okolního prostředí“
2011/65/EU	„o omezení používání některých nebezpečných látek v elektrických a elektronických zařízeních“

a že byly použity následující normy nebo technické  
specifikace: EN ISO 12100:2021, CISPR 12: 2009, EN  
ISO 10517:2009/A1:2013, EN IEC 63000:2018.

Společnost RISE SMP Svensk Maskinprovning  
AB, provedla jménem společnosti Husqvarna AB  
dobrovolnou typovou zkoušku. Číslo certifikátu:  
SEC/18/2518.

Společnost RISE SMP Svensk Maskinprovning AB,  
potvrdila shodu se Směrnicí rady z 8. května  
2000 „týkající se emisí hluku v životním prostředí“  
2000/14/ES. Číslo certifikátu: 01/094/026-522HD60X,  
01/094/027-522HDR60X, 522HDR75X.

Informace o emisích hluku najdete v části *Technické  
údaje na strani 45.*

Huskvarna, 2022-05-09

Stefan Holmberg, ředitel výzkumu a vývoje,  
management technologií, Husqvarna AB

Osoba odpovědná za technickou dokumentaci

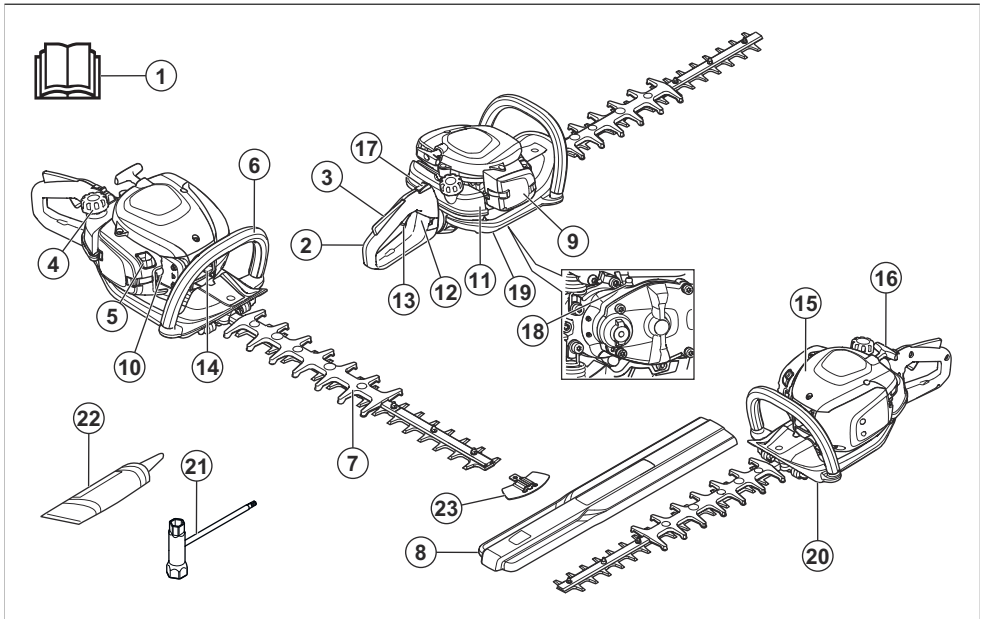


## Indhold

Indledning.....	48	Transport, opbevaring og bortskaffelse.....	59
Sikkerhed.....	49	Tekniske data.....	59
Drift.....	54	Overensstemmelseserklæring.....	61
Vedligeholdelse.....	56		

## Indledning

### Produktoversigt



1. Brugsanvisning
2. Bageste håndtag
3. Gasreguleringslås
4. Brændstoftankdæksel
5. Chokerhåndtag
6. Forreste håndtag
7. Klinge og klingebeskyttelse
8. Transportbeskyttelse
9. Luffilterdæksel
10. Brændstofpumpebold
11. Brændstoftank
12. Håndtagslås
13. Gasregulering
14. Tændhætte og tændrør
15. Cylinderdæksel
16. Startsnorens håndgreb

17. Stopkontakt
18. Smørenippel
19. Gearhus
20. Hånddæksel
21. Ring- og gaffelnøgle
22. Fedttube
23. Skærspidsbeskyttelse

### Produktbeskrivelse

Produktet er en hækkeklipper med en forbrændingsmotor.

### Anvendelsesformål

Brug produktet til beskæring af grene og kviste. Brug ikke produktet til andre opgaver.



## Symboler på produktet



Stop.



Vær forsigtig, og brug produktet korrekt. Dette produkt kan forårsage alvorlig personskade eller død for brugeren eller andre.



Læs brugsanvisningen omhyggeligt igennem, og sørg for at have forstået instruktionerne, inden du bruger produktet.



Brug godkendt høreværn og godkendt øjenværn.



Brug godkendte beskyttelseshandsker.



Brug altid kraftige, skridsikre støvler.

# T

Justerskrue til tomgang.

# H

Højomdrejningsnål.

# L

Lavomdrejningsnål.



Emissioner af støj til omgivelserne i henhold til EU-direktiv 2000/14/EF og New South Wales' lovgivning om "Beskyttelse af miljøet (støjbegrensning) forordning 2017". Data om emission af støj findes på maskinens mærkat og i kapitlet Tekniske data.

# CE

Produktet er i overensstemmelse med gældende EF-direktiver.

# UKCA

Dette produkt er i overensstemmelse med gældende UK-bestemmelser.

yyyywwxxxx

Typekillet viser serienummeret. **yyyy** er produktionsåret, **ww** er produktionsugen.

**Bemærk:** Andre symboler/mærkater på produktet henviser til certificeringskrav på visse markeder.

## Euro V-emissioner



**ADVARSEL:** Ved manipulation af motoren bortfalder EU-typegodkendelsen af dette produkt.

## Sikkerhed

### Sikkerhedsdefinitioner

Advarsler, forholdsregler og bemærkninger bruges til at pege på særligt vigtige dele af brugsanvisningen.



**ADVARSEL:** Bruges, hvis føreren udsætter sig selv eller omkringstående personer for risiko for personskade eller dødsfald ved tilsidesættelse af instruktionerne i brugsanvisningen.



**BEMÆRK:** Bruges, hvis der er risiko for skader på produktet, andre materialer eller det omgivende område ved tilsidesættelse af instruktionerne i brugsanvisningen.

**Bemærk:** Bruges til at give yderligere oplysninger, der er nødvendige i en given situation.

### Generelle sikkerhedsinstruktioner



**ADVARSEL:** Læs følgende advarselinstruktioner, inden du bruger produktet.

- Produktet kan ved forkert eller skødesløs brug være et farligt redskab, som kan forårsage alvorlige, i visse tilfælde livsfarlige skader. Det er meget vigtigt, at du læser og forstår indholdet i denne brugsanvisning.

- Dette produkt danner et elektromagnetisk felt under drift. Dette felt kan i nogle tilfælde påvirke aktive eller passive medicinske implantater. For at reducere risikoen for alvorlige eller dødbringende kvæstelser anbefaler vi, at personer med medicinske implantater kontakter deres læge og producenten af det medicinske implantat, før de tager produktet i brug.
- Overeksponering af vibrationer kan medføre kredsløbsforstyrrelser eller skader på nervesystemet hos personer med kredsløbsforstyrrelser. Hvis du oplever fysiske symptomer, som kan relateres til overeksponering af vibrationer, skal du straks søge læge. Eksempler på sådanne symptomer er følelsesløshed, manglende følesans, kildren, stikken, smerte, manglende eller reduceret styrke i forhold til normalt, forandringer i hudens farve eller i dens overflade. Disse symptomer opleves almindeligvis i fingre, hænder eller håndled. Risiciene kan øges ved lave temperaturer.
- Når du kommer ud for en situation, som gør dig usikker med hensyn til fortsat brug, skal du spørge en ekspert til råds. Henvend dig til din forhandler eller dit serviceværksted. Undgå al brug, som du ikke synes, du er tilstrækkeligt kvalificeret for.
- Vær opmærksom på, at føreren er ansvarlig for uheld eller risici, som andre personer eller disses ejendom udsættes for.
- Lad aldrig andre bruge produktet, uden at du har sikret dig, at vedkommende har forstået indholdet i brugsanvisningen.
- Tillad aldrig børn at anvende eller være i nærheden af produktet. Da produktet er forsynet med en start/stop-kontakt med returfunktion og kan startes med lav hastighed og lille kraft på starthåndtaget, kan selv små børn under visse omstændigheder tilføre den kraft, der er nødvendig for at starte maskinen. Dette kan indebære risiko for alvorlige personskader. Tag derfor tændhætten af, når produktet ikke er under opsyn.
- Opbevar produktet utilgængeligt for børn.
- Brug aldrig produktet, hvis du er træt, hvis du har drukket alkohol, eller hvis du tager medicin, som kan påvirke dit syn, dit overblik eller din kropskontrol.
- Brug aldrig et produkt, som er behæftet med fejl. Følg vedligeholdelses-, kontrol- og serviceanvisningerne i denne brugsanvisning. Visse vedligeholdelses- og serviceforanstaltninger må kun udføres af erfarne og kvalificerede specialister. Se instruktionerne under overskriften Vedligeholdelse.
- Brug aldrig et produkt, der er blevet ændret, så det ikke længere svarer til originalmodellen.
- Anvend aldrig produktet under ekstreme klimaforhold, såsom streng kulde eller i meget varmt og/eller fugtigt klima.
- Beskadigede knive kan øge risikoen for ulykker.
- Sørg for, at ingen kommer nærmere end 15 meter/50 fod under arbejdet.
- Hold øje med omgivelserne, og kontrollér, at der ikke er nogen risiko for, at mennesker eller dyr kan komme i kontakt med skæreudstyret.
- Kontrollér arbejdsområdet. Fjern alle genstande, der kan slynges op.
- Sørg altid for, at du har en sikker og stabil arbejdsposition.
- Efterlad aldrig produktet uden opsyn, mens motoren kører.
- Sørg for, at hænder og fødder ikke kommer i nærheden af skæreenheden, når motoren er i gang.
- Skulle et eller andet sætte sig fast i knivene under arbejdets gang skal motoren slukkes og standse helt inden knivene rengøres. Fjern tændrørskablet fra tændrøret. Se *Sådan efterses knivene på side 59*.
- Når motoren slukkes, skal du holde hænder og fødder væk fra skæreenheden, indtil den er standset helt.
- Pas på grenstumper, som kan slynges væk under klipningen.
- Vær altid opmærksom på advarselssignaler eller tilråb, når høreværnet bruges. Tag altid høreværnet af, så snart motoren er standset.
- Arbejd aldrig på en stige, stol, palle eller fra et andet højt sted, som ikke er helt stabilt.
- Brug altid begge hænder til at holde produktet. Hold produktet foran kroppen.
- Hvis et fremmedlegeme rammes, eller der opstår vibrationer, skal du straks standse produktet. Fjern tændrørskablet fra tændrøret. Kontrollér, at produktet ikke er beskadiget. Reparer eventuelle skader.
- Kontrollér, at tændhætten og tændkablet er intakte, så du ikke får stød.
- Kontrollér, at alle møtrikker og bolte er spændt.
- Kontrollér, at gearet er smurt korrekt. Se *Sådan smøres gearhuset på side 58*.
- Efter arbejde med produktet bliver gearhuset varmt. Rør ikke ved gearkassen for at undgå forbrændinger.
- Samtlige dæksler og beskyttelser skal være monteret før start.
- Transportbeskyttelsen skal altid sættes på skæreenheden, når produktet ikke anvendes.

## Sikkerhedsinstruktioner for drift

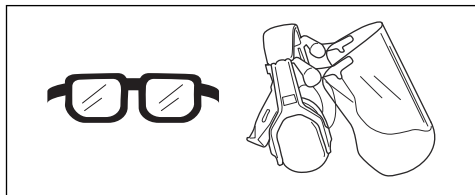


**ADVARSEL:** Læs følgende advarselsinstruktioner, inden du bruger produktet.

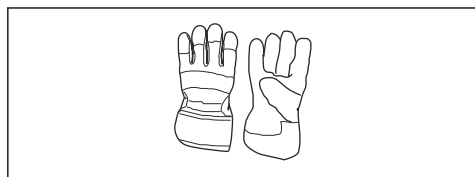


**ADVARSEL:** Læs følgende advarselsinstruktioner, inden du bruger produktet.

- Brug godkendt personligt beskyttelsesudstyr, når du bruger produktet. Personligt beskyttelsesudstyr udelukker ikke fuldstændigt risikoen for personskader, men det mindsker graden af skaderne i tilfælde af, at der skulle ske en ulykke. Lad forhandleren hjælpe dig med at vælge det rigtige udstyr.
- Brug godkendt høreværn med tilstrækkelig dæmpning. Langvarig eksponering for støj kan medføre permanente høreskader.
- Brug godkendt øjenværn. Hvis du bruger et ansigtsværn, skal du også bruge godkendte beskyttelsesbriller. Godkendte beskyttelsesbriller skal overholde den amerikanske standard ANSI Z87.1 eller EU-standarden EN 166.



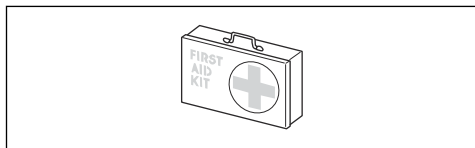
- Brug om nødvendigt beskytteshandsker, f.eks. ved montering, eftersyn og rengøring af skæreudstyret.



- Brug skridsikre og stabile støvler eller sko.



- Brug beklædning, der er lavet af et stærkt materiale. Brug altid kraftige lange bukser og lange ærmer. Brug ikke løstsiddende tøj, som kan sætte sig fast i buske og grene. Undgå smykker, shorts og sandaler, og gå ikke barfodet. Sæt håret op i en sikker højde, dvs. over skulderen.
- Sørg for at have førstehjælpsudstyr ved hånden.



## Sikkerhedsanordninger på produktet

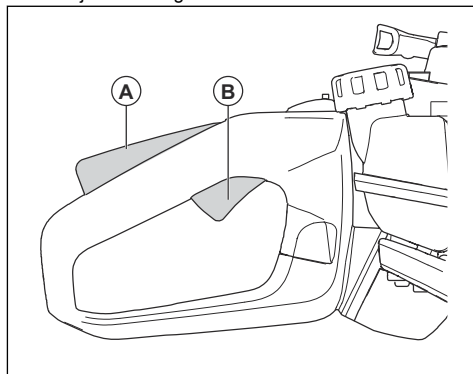


**ADVARSEL:** Læs følgende advarelsinstruktioner, inden du bruger produktet.

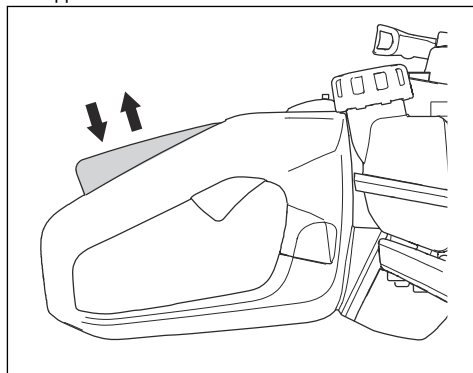
- Brug ikke et produkt med defekte sikkerhedsanordninger.
- Kontrollér sikkerhedsanordningerne regelmæssigt. Hvis sikkerhedsanordningerne er defekte, skal du henvende dig til dit Husqvarna-serviceværksted.

### Sådan kontrolleres gasreguleringslåsen

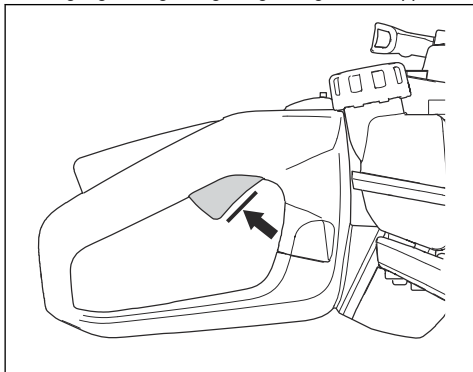
1. Kontrollér, at gasreguleringslåsen (A) og gasreguleringen (B) bevæger sig frit, og at returfjederen fungerer korrekt.



2. Skub låsen på gasreguleringslåsen ned, og sørg for, at den går tilbage til sin oprindelige position, når du slipper den.



3. Kontrollér, at gasreguleringen er låst i tomgangsstilling, når gasreguleringslåsen slippes.



4. Start motorsaven og giv fuld gas.
5. Slip gasreguleringen, og sørg for, at knivene standser, og at de bliver stående stille.



**ADVARSEL:** Hvis knivene bevæger sig med gasreguleringen i tomgangsstilling, skal karburatorens tomgangshastighed justeres. Se *Sådan justerer du tomgangshastigheden på side 57.*

#### Sådan kontrolleres stopkontakten

1. Start motoren.
2. Flyt stopkontakten til stoppositionen, og sørg for, at motoren standser.



**ADVARSEL:** Stopkontakten vender automatisk tilbage til sin startposition. For at forhindre utilsigtet start fjernes tændrørshætten fra tændrøret ved samling eller udførelse af vedligeholdelse på produktet.

#### Sådan kontrolleres håndafskærmningen

Håndafskærmningen skal beskytte mod skader forårsaget af knivene.

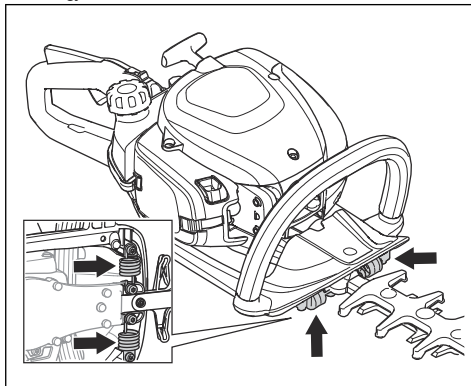
1. Stop motoren.
2. Sørg for, at håndafskærmningen er fastgjort korrekt.
3. Efterse håndafskærmningen for defekter.

#### Sådan kontrolleres vibrationsdæmpningssystemet

Vibrationsdæmpningssystemet reducerer vibrationer i håndtagene. Vibrationsdæmpningsenhederne fungerer som adskillelse mellem produktets hus og håndtagsenheden.

1. Se efter skader og defekter.

2. Sørg for, at vibrationsdæmpningsenhederne er fastgjort korrekt.



#### Sådan kontrolleres lyddæmperen



**ADVARSEL:** Brug aldrig produktet uden en lyddæmper eller med en defekt lyddæmper. En defekt lyddæmper øger støjniveauet og risikoen for brand. Brug ikke produktet uden eller med et knækket gnistfangernet. Ved eventuelle skader på gnistfangerskærmen skal det udskiftes.



**ADVARSEL:** Lyddæmperne bliver meget varme under og efter brug, også i tomgang.



**BEMÆRK:** Hvis gnistfangerskærmen ofte er tilstoppet, kan dette være tegn på, at katalysatorens funktion er nedsat. Kontakt dit serviceværksted, så de kan efterse lyddæmperen. En tilstoppet gnistfangerskærm overopheder enheden med skader på cylinder og stempel til følge.

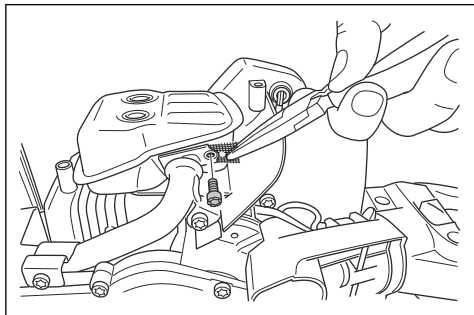


**ADVARSEL:** Lyddæmperens indvendige flader indeholder kemikalier, der kan være kræftfremkaldende. Pas på ikke at berøre disse elementer, hvis lyddæmperen er beskadiget.

Lyddæmperen sikrer et minimalt støjniveau og sender udstødningsgasserne væk fra føreren. En lyddæmper med katalysator reducerer skadelige udstødningsgasser.

1. Stop motoren.
2. Se efter skader og deformation.
3. Sørg for, at lyddæmperen er korrekt monteret på produktet.

4. Rengør gnistfangerskærmen forsigtigt med en stålborste.



### Sådan kontrolleres klinger og klingebeskyttelser

Den yderste del af klingerne fungerer som klingebeskyttelse. Klingebeskyttelsen forhindrer snitsår.

1. Stop motoren, og sørg for, at klingerne stopper.
2. Fjern tændhætten fra tændrørret.
3. Tag beskyttelseshandsker på.
4. Sørg for, at klingen og klingebeskyttelsen ikke er beskadiget eller bøjet. Udskift altid en beskadiget eller bøjet klinge eller en beskadiget klingebeskyttelse.
5. Sørg for, at skrueerne til klingerne og klingebeskyttelsen er strammet.

### Brændstofsikkerhed



**ADVARSEL:** Læs følgende advarelsinstruktioner, inden du bruger produktet.

- Start ikke produktet, hvis der er brændstof eller motorolie på produktet. Fjern uønsket brændstof/olie og lad produktet tørre.
- Hvis du får brændstof på dit tøj, skal du skifte tøj med det samme.
- Undgå at få brændstof på kroppen, da det kan forårsage personskader. Hvis du får brændstof på kroppen, skal du bruge sæbe og vand til at fjerne brændstoffet.
- Start ikke produktet, hvis motoren lækker. Undersøg regelmæssigt motoren for lækager.
- Vær forsigtig med brændstof. Brændstof er letantændeligt og dampe er eksplosive og kan medføre personskader eller dødsfald.
- Undgå at indånde brændstofdampe, da det kan forårsage personskader. Sørg for, at der er tilstrækkelig luftstrøm.
- Ryg ikke i nærheden af brændstof eller motor.

- Anbring ikke varme genstande i nærheden af brændstof eller motor.
- Fyld ikke brændstof på, når motoren er tændt.
- Sørg for, at motoren er afkølet, inden du fylder brændstof på.
- Før du fylder brændstof på, skal du åbne brændstoftankens dæksel langsomt og forsigtigt udløse trykket.
- Fyld ikke brændstof på motoren i et indendørs område. Utilstrækkelig med luftstrøm kan forårsage personskader eller dødsfald på grund af kvælning eller kulilte.
- Spænd brændstoftankens dæksel helt. Hvis brændstoftankens dæksel ikke spændes, opstår der risiko for brand.
- Flyt produktet minimum 3 m / 10 ft fra det sted, hvor du fyldte tanken, før du starter det.
- Fyld aldrig brændstoftanken helt op. Varme får brændstoffet til at udvide sig. Sørg for at bevare ledig plads øverst i brændstoftanken.

### Sikkerhedsinstruktioner for vedligeholdelse



**ADVARSEL:** Læs følgende advarelsinstruktioner, inden du bruger produktet.

- Stop motoren, og sørg for, at skæredstyret stopper. Lad produktet køle af, inden du udfører vedligeholdelse.
- Afmonter tændhætten, før du udfører vedligeholdelsen.
- Udstødningsgasserne fra motoren indeholder kulilte, som er en lugtfri, giftig og meget farlig gasart, som kan medføre dødsfald. Undlad at tænde produktet indendørs eller i lukkede rum.
- Motorens udstødningsgasser er varme og kan indeholde gnister. Lad ikke produktet køre indendørs eller i nærheden af brandfarligt materiale.
- Tilbehør til og ændringer på produktet, som ikke er godkendt af producenten, kan medføre alvorlig personskade eller dødsfald. Undlad at ændre produktet. Brug altid originalt tilbehør.
- Hvis vedligeholdelsen ikke udføres korrekt og regelmæssigt, øges risikoen for personskade og beskadigelse af produktet.
- Foretag kun den form for vedligeholdelse, der er angivet i denne brugervejledning. Lad et Husqvarna-godkendt serviceværksted udføre alle andre former for service.
- Lad et Husqvarna-godkendt serviceværksted foretage regelmæssig service af produktet.
- Udskift beskadigede, slide eller defekte dele.

## Drift

### Indledning



**ADVARSEL:** Læs og forstå kapitlet om sikkerhed, før du bruger produktet.

### Brændstof

Dette produkt har en totaktsmotor.



**BEMÆRK:** Forkert brændstof kan medføre beskadigelse af motoren. Brug en blanding af benzin og totaktsolie.

### Forblandet brændstof

- Brug Husqvarna forblandet alkylatbenzin – det giver det bedste resultat og forlænger af motorens levetid. Dette brændstof indeholder færre skadelige kemikalier sammenlignet med almindeligt brændstof, hvilket reducerer skadelige udstødningsgasser. Mængden af rester efter forbrændingen er lavere med dette brændstof, som holder komponenterne i motoren mere rene.

### Sådan blandes brændstof

#### Benzin

- Brug blyfri benzin af god kvalitet med et ethanolinhold på maks. 10 %.



**BEMÆRK:** Brug ikke benzin med et oktantal mindre end 90 RON/87 AKI. Brug af et lavere oktantal kan forårsage motorbanken, hvilket beskadiger motoren.

#### Totaktsolie

- De bedste resultater opnås ved anvendelse af Husqvarna-totaktsolie.
- Hvis du ikke kan få fat i Husqvarna-totaktsolie, kan du også bruge en anden totaktsolie af høj kvalitet, som er beregnet til luftkølede motorer. Tal med din serviceforhandler om valg af den korrekte olie.



**BEMÆRK:** Brug aldrig totaktsolie til vandafkølede udenbordsmotorer, såkaldt outboardoil. Brug ikke olie beregnet til firetaktsmotorer.

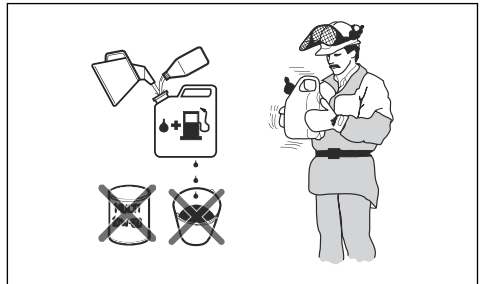
### Sådan blandes benzin og totaktsolie

Benzin, liter	Totaktsolie, liter

	2 % (50:1)
5	0,10
10	0,20
15	0,30
20	0,40



**BEMÆRK:** Små fejl kan påvirke forholdet i blandingen drastisk, hvis du blander små mængder brændstof. Mål omhyggeligt mængden af olie, og sørg for, at du får den rigtige blanding.



1. Fyld halvdelen af mængden af benzin i en ren beholder til brændstof.
2. Tilføj al olien.
3. Ryst brændstofblandingen.
4. Hæld den resterende mængde over i beholderen.
5. Ryst brændstofblandingen omhyggeligt.



**BEMÆRK:** Bland ikke brændstof til mere end 1 måned ad gangen.

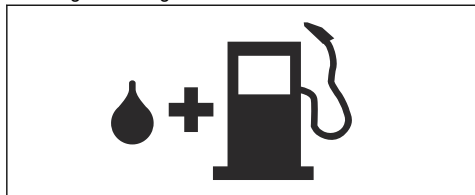
### Sådan fyldes brændstoftanken



**ADVARSEL:** Følg nedenstående fremgangsmåde for din egen sikkerheds skyld.

1. Stands motoren, og lad den blive kold.

2. Rengør omkring brændstoftankens dæksel.



3. Ryst beholderen, og sørg for, at brændstoffet er helt blandet.
4. Afmonter brændstoftankens dæksel langsomt for at aflaste trykket.
5. Fyld brændstoftanken.



**BEMÆRK:** Sørg for, at der ikke er for meget brændstof i tanken. Brændstoffet udvider sig, når det bliver varmt.

6. Spænd brændstoftankens dæksel helt.
7. Afrens spildt brændstof på og omkring produktet.
8. Flyt produktet mindst 3 m/10 fod væk fra tankningsstedet og -kilden, inden det startes.

**Bemærk:** Se *Produktoversigt på side 48* for at se, hvor brændstoftanken sidder på produktet.

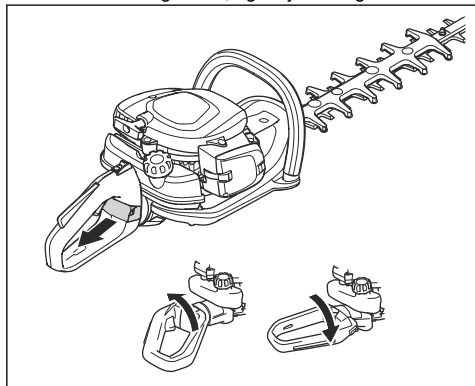
## Sådan monteres skærspidsbeskyttelsen

1. Fjern møtrikken og bolten på skærspidsen.
2. Monter skærspidsbeskyttelsen på skærspidsen.
3. Sæt bolten i, og spænd den til 7 Nm.
4. Sæt møtrikken i, og spænd den til 5 Nm.

## Sådan justeres håndtaget

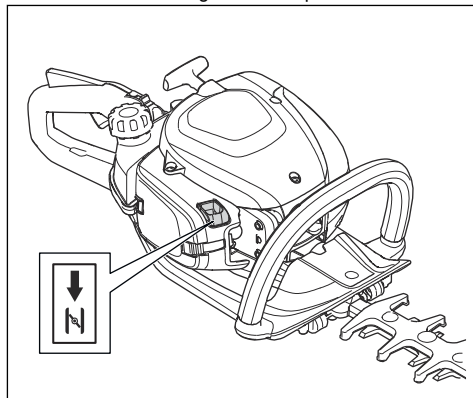
Det bageste håndtag kan justeres i 3 positioner.

- Frakobl håndtagsslåsen, og drej håndtaget.



## Sådan startes produktet med en kold motor

1. Træk chokerhåndtaget til chokerposition.



2. Tryk på brændstofpumpebolden cirka 6 gange, indtil den begynder at fyldes med brændstof. Det er ikke nødvendigt at fylde brændstofpumpebolden helt.
3. Hold hoveddelen af produktet på jorden med venstre hånd. Træd ikke på produktet.
4. Træk langsomt i startsnorens håndtag med højre hånd, indtil du mærker modstand, og træk derefter hurtigt og kraftigt i startsnorens håndtag.



**ADVARSEL:** Sno aldrig startsnoren rundt om hånden.



**BEMÆRK:** Træk ikke startsnoren helt ud, og slip ikke startsnorens håndtag.

5. Fortsæt med at trække i startsnorens håndtag, indtil motoren starter, og skub derefter chokerhåndtaget til sin oprindelige position.



**ADVARSEL:** Klingerne bevæger sig, når motoren starter.

6. Træk i startsnorens håndtag, indtil motoren starter.
7. Tryk på og slip gasreguleringen for at indstille motorens omdrejningstal i tomgang.
8. Skub gasreguleringen gradvist for at øge motorens hastighed.
9. Sørg for, at motoren kører jævnt.

## Sådan startes produktet med en varm motor

1. Hold hoveddelen af produktet på jorden med venstre hånd. Træd ikke på produktet.

- Træk langsomt i startsnorens håndtag med højre hånd, indtil du mærker modstand, og træk derefter hurtigt og kraftigt i startsnorens håndtag. Fortsæt, indtil motoren starter.



**ADVARSEL:** Sørg for, at spidsen af skæreudstyret ikke berører jorden.

- Juster hastigheden, så den passer til arbejdsmængden.
- Hold produktet tæt på kroppen for at opnå en stabil arbejdsstilling.
- Vær forsigtig, og betjen produktet langsomt.

**Bemærk:** For yderligere oplysninger om, hvordan du starter produktet, se *Sådan startes produktet med en kold motor på side 55*.

## Sådan standses produktet

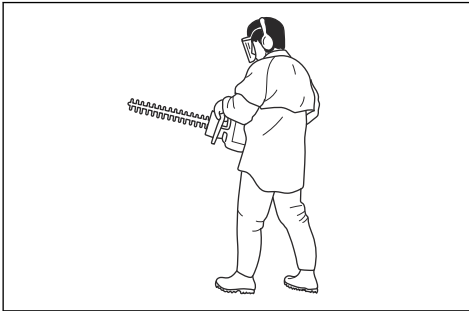
- Flyt stopkontakten til positionen stop for at standse motoren.



**BEMÆRK:** Stopkontakten vender automatisk tilbage til sin driftsposition.

## Betjening af produktet

- Start tæt ved jorden, og bevæg produktet op langs hækken, når du beskærer siderne. Sørg for, at hoveddelen af produktet ikke berører hækken.



## Vedligeholdelse

### Indledning



**ADVARSEL:** Læs og forstå sikkerhedskapitlet, før du udfører vedligeholdelse på produktet.

### Vedligeholdelsesskema

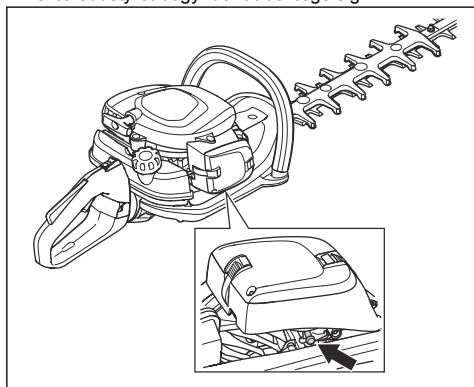
Vedligeholdelse	Før brug	Efter 40 timer	Efter 100 timer
Rens de udvendige flader.	Efter hver brug.		
Rengør lyddæmperen, karburatorrøret og motoren for blade, snavs og uønsket smøremiddel.	Efter hver brug.		
Sørg for, at skæreudstyret ikke bevæger sig i tomgang.	X		
Kontrollér stopkontakten.	X		



Vedligeholdelse	Før brug	Efter 40 timer	Efter 100 timer
Undersøg skæreudstyret og skæreudstyrsskærmen for skader og revner. Udskift dem, hvis de er beskadigede.	X		
Undersøg håndafskærmningen for skader og revner. Udskift dem, hvis de er beskadigede.	X		
Udfør en kontrol af gasreguleringslåsen og gasreguleringen.	X		
Undersøg motoren, brændstoftanken og brændstofslangerne for udsivning.	X		
Spænd møtrikker og skruer.	X		
Undersøg, om brændstoffilteret er rent, og sørg for, at der ikke er revner og andre fejl i brændstofslangen. Udskift om nødvendigt.	X		
Undersøg startmotoren og startsnoren for skader.		X	
Rens luftfilteret. Udskift dem, hvis det er nødvendigt.		X	
Undersøg vibrationsdæmpningsenhederne for skader og revner.		X	
Undersøg tændrøret, se <i>Sådan undersøger du tændrøret på side 58</i> .		X	
Rens kølesystemet.		X	
Rens karburatorens udvendige flader og området omkring den.		X	
Rengør eller udskift gnistfangernetet.			X
Rengør brændstoftanken indvendigt.			X
Efterse tændrøret.			X
Sørg for, at gearhuset er fyldt op med fedt.			X

## Sådan justerer du tomgangshastigheden

1. Rengør luftfilteret, og fastgør luftfilterdækslet.
2. Start produktet, se *Sådan startes produktet med en kold motor på side 55*.
3. Drej tomgangsjusteringsskruen T med uret, indtil skæreudstyret begynder at bevæge sig.



4. Drej tomgangsjusteringsskruen mod uret, indtil skæreudstyret stopper.



**ADVARSEL:** Hvis skæreudstyret ikke stopper, når du justerer omdrejningstallet i tomgang, skal du kontakte din nærmeste serviceforhandler. Undlad at bruge produktet, indtil det er blevet korrekt indstillet eller repareret.

**Bemærk:** Tomgangshastigheden er korrekt, når motoren kører jævnt i alle positioner. Se *Tekniske data på side 59* for det anbefalede omdrejningstal i tomgang.

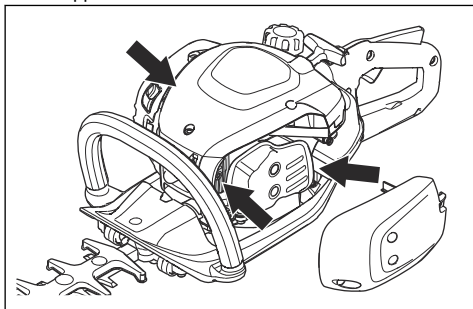
## Sådan renser du kølesystemet

Kølesystemet holder motortemperaturen ned. Kølesystemet omfatter køleribberne på cylinderen og starterhuset.



**BEMÆRK:** Luftindtaget mellem brændstoftanken og krumtaphuset bliver let blokeret af blade. Rengør luftindtaget helt.

1. Rengør kølesystemet med en børste hver uge eller oftere, hvis det er nødvendigt.
2. Sørg for, at kølesystemet ikke er snavset eller tilstoppet.

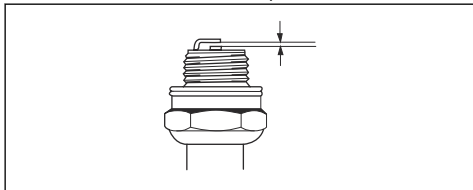


## Sådan undersøger du tændrøret



**BEMÆRK:** Brug altid anbefalet tændrørstype. Forkert tændrørstype kan forårsage skader på produktet.

- Undersøg tændrøret, hvis motoren mangler kraft, ikke starter nemt eller ikke fungerer korrekt i tomgangshastighed.
- Sådan mindsker du risikoen for uønsket materiale på tændrørets elektroder, følg disse instruktioner:
  - a) Sørg for, at omdrejningstallet i tomgang er indstillet korrekt.
  - b) Sørg for, at brændstofblandingen er korrekt.
  - c) Sørg for, at luftfilteret er rent.
- Hvis tændrøret er beskidt, skal det renses, og samtidig skal det kontrolleres, at elektrodeafstanden er korrekt, se *Tekniske data på side 59*.



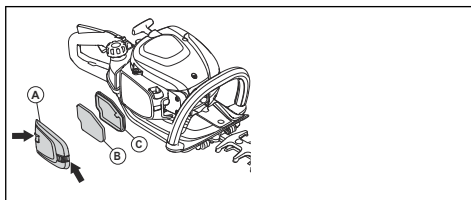
- Udskift tændrøret, når det er nødvendigt.

## Rengøring af luftfilteret

Rens regelmæssigt luftfilteret for snavs og støv. Dette forhindrer karburatorfejle, startproblemer, tab af motoreffekt, slitage på motordelene og et højere brændstofforbrug end normalt.

1. Fjern luftfilterdækslet (A).

2. Fjern skumfilteret (B) og filtfilteret (C) fra filterrammen.



3. Udskift filtfilteret (C).
4. Rens skumfilteret (B) med varmt sæbevand.

**Bemærk:** Et luftfilter, der har været brugt i lang tid, kan ikke blive helt rent. Udskift luftfilteret regelmæssigt, og udskift altid et defekt luftfilter.

5. Sørg for, at skumfilteret (B) er tørt.
6. Påfør luftfilterolie på skumfilteret (B). Se *Sådan påfører du olie på et luftfilter på side 58*
7. Rengør også indersiden af luftfilterdækslet (A). Brug trykluft eller en børste.

## Sådan påfører du olie på et luftfilter

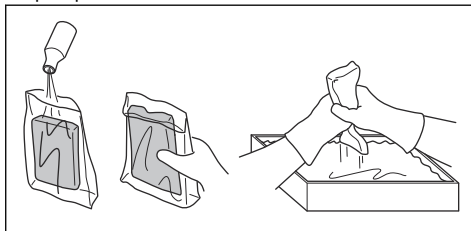


**BEMÆRK:** Brug altid Husqvarna specialluftfilterolie. Brug ikke andre typer olie.



**ADVARSEL:** Tag beskyttelseshandsker på. Luftfilterets olie kan forårsage hudirritation.

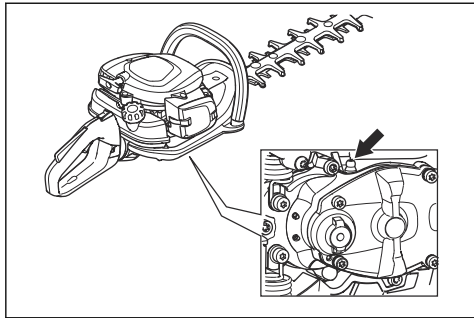
1. Anbring luftfilteret i en plastpose.
2. Anbring olien i plastposen.
3. Gnub plastposen for at sikre, at olien bliver påført jævnt på luftfilteret.
4. Tryk uønsket olie ud af luftfilteret, mens det er i plastposen.



## Sådan smøres gearhuset

- Brug Husqvarna specialfedt. Spørg serviceforhandleren for at få yderligere oplysninger om det anbefalede fedt.

- Tilsæt fedt gennem fedtniplén.



**BEMÆRK:** Fyld ikke gearhuset helt op.

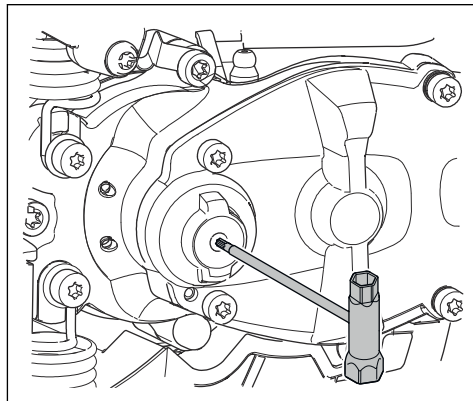
## Sådan rengøres og smøres klingerne

1. Rengør knivene for uønskede materialer før og efter brug af produktet.
2. Smør klingerne før længere tids opbevaring.

**Bemærk:** Spørg serviceforhandleren for at få yderligere oplysninger om anbefalede rengøringsmidler og smøremidler.

## Sådan efterses knivene

1. Fjern dækslet på gearhuset.
2. Sørg for, at knivene bevæger sig frit. Sæt ring- og gaffelnøglen i gearhuset, og drej den med uret og mod uret.



3. Undersøg knivenes ægge for skader og defekter.
4. Brug en fil til at fjerne ujævnheder på knivene.

## Transport, opbevaring og bortskaffelse

### Transport og opbevaring

- Lad altid produktet køle af, før det stilles væk.
- Ved opbevaring og transport af produktet og brændstoffet, skal du sørge for, at der ikke er utætheder eller dampe. Gnister eller åben ild, f.eks. fra elektriske enheder eller kedler, kan starte en brand.
- Brug altid godkendte beholdere til opbevaring og transport af brændstof.
- Tøm brændstoftanken før transport eller langtidsofopbevaring. Bortskaf brændstoffet på en lokal miljøstation.

- Fastgør transportbeskyttelsen under transport og opbevaring.
- Fjern tændhætten fra tændrøret.
- Fastspænd produktet under transporten. Sørg for, at det ikke kan rykke sig.
- Rens og udfør service på produktet inden langtidsofopbevaring.

## Tekniske data

### Tekniske data

	522HD60X	522HDR60X	522HDR75X
<b>Motor</b>			
Cylindervolumen, cm <sup>3</sup>	21,7	21,7	21,7
Omdrejningstal i tomgang, o/min.	3000	3000	3000

	522HD60X	522HDR60X	522HDR75X
Anbefalet maks. hastighed, o/min.	9200	9200	9200
Maks. motoreffekt iht. ISO 8893, kW/hp ved o/min.	0,6/0,8 ved 7800	0,6/0,8 ved 7800	0,6/0,8 ved 7800
Lyddæmper med katalysator	Ja	Ja	Ja
<b>Tændingssystem</b>			
Tændrør	NGK CMR6A	NGK CMR6A	NGK CMR6A
Elektrodeafstand, mm	0,5	0,5	0,5
<b>Brændstof</b>			
Benzintankens kapacitet, l/cm <sup>3</sup>	0,45/450	0,45/450	0,45/450
<b>Vægt</b>			
Uden brændstof, kg	4,9	5,0	5,2
<b>Støjmissioner</b> <sup>10</sup>			
Lydeffektniveau, målt dB (A)	101	101	101
Lydeffektniveau, garanteret L <sub>WA</sub> dB (A)	102	102	102
<b>Lydniveauer</b> <sup>11</sup>			
Ækvivalent lydtrykniveau ved brugerens ører målt i henhold til EN ISO 10517, dB(A)	93	93	93
<b>Vibrationsniveauer</b> <sup>12</sup>			
Ækvivalente vibrationsniveauer (a <sub>nv,eq</sub> ) i håndtag målt i henhold til EN ISO 10517, m/s <sup>2</sup> :			
Forreste/bageste, mm/s <sup>2</sup>	2,7/1,2	2,8/1,3	2,1/2,2
<b>Knive</b>			
Type	Dobbelt	Dobbelt	Dobbelt
Skærelængde, mm	600	600	750
Skærehastighed, klip/min.	4400	3200	3200

<sup>10</sup> Emission af støj til omgivelserne målt som lydeffekt (L<sub>WA</sub>) i henhold til EF-direktiv 2000/14/EF. Rapporteret lydeffektniveau for produktet er målt med det originale skæreudstyr, der giver det højeste niveau. Forskellen mellem garanteret og målt lydeffekt er, at den garanterede lydeffekt også omfatter spredning i måleresultatet og variationerne mellem forskellige produkter af samme model i henhold til direktivet 2000/14/EF.

<sup>11</sup> Rapporterede data for lydtrykniveau har en typisk statistisk spredning (standardafvigelse) på 1 dB (A).

<sup>12</sup> Rapporterede data for vibrationsniveau har en typisk statistisk spredning (standardafvigelse) på 1 m/s<sup>2</sup>.

# Overensstemmelseserklæring

## EU-overensstemmelseserklæring

Vi, **Husqvarna AB**, SE-561 82 Huskvarna, Sverige,  
tlf.: +46-36-146500 erklærer under eneansvar, at det  
pågældende produkt:

<b>Beskrivelse</b>	Hækkeklipper
<b>Varemærke</b>	Husqvarna
<b>Type / model</b>	522HD60X, 522HDR60X, 522HDR75X
<b>Identifikation</b>	Serienumrene fra 2022 og fremefter

overholder følgende EU-direktiver og bestemmelser:

<b>Regulativ</b>	<b>Beskrivelse</b>
2006/42/EF	"vedrørende maskiner"
2014/30/EU	"vedrørende elektromagnetisk kompatibilitet"
2000/14/EF	"vedrørende støjemissioner til omgivelserne"
2011/65/EU	"om begrænsning af anvendelsen af visse farlige stoffer i elektrisk og elektronisk udstyr"

og at følgende standarder og/eller tekniske  
specifikationer anvendes: EN ISO 12100:2021, CISPR  
12: 2009, EN ISO 10517:2009/A1:2013, EN IEC  
63000:2018.

RISE SMP Svensk Maskinprovning AB, har  
foretaget frivillig typegodkendelse for Husqvarna AB.  
Certifikatnummer: SEC/18/2518.

RISE SMP Svensk Maskinprovning AB, har  
bekræftet, at bestemmelserne i bilag V til  
Rådets direktiv af den 8. maj 2000 "angående  
emission af støj til omgivelserne" 2000/14/EF  
opfyldes. Certifikatnumre: 01/094/026-522HD60X,  
01/094/027-522HDR60X, 522HDR75X.

Vedr. oplysninger om støjemission, se *Tekniske data på  
side 59*.

Huskvarna, 2022-05-09

Stefan Holmberg, R&D Director, Technology  
Management, Husqvarna AB

Ansvarlig for teknisk dokumentation

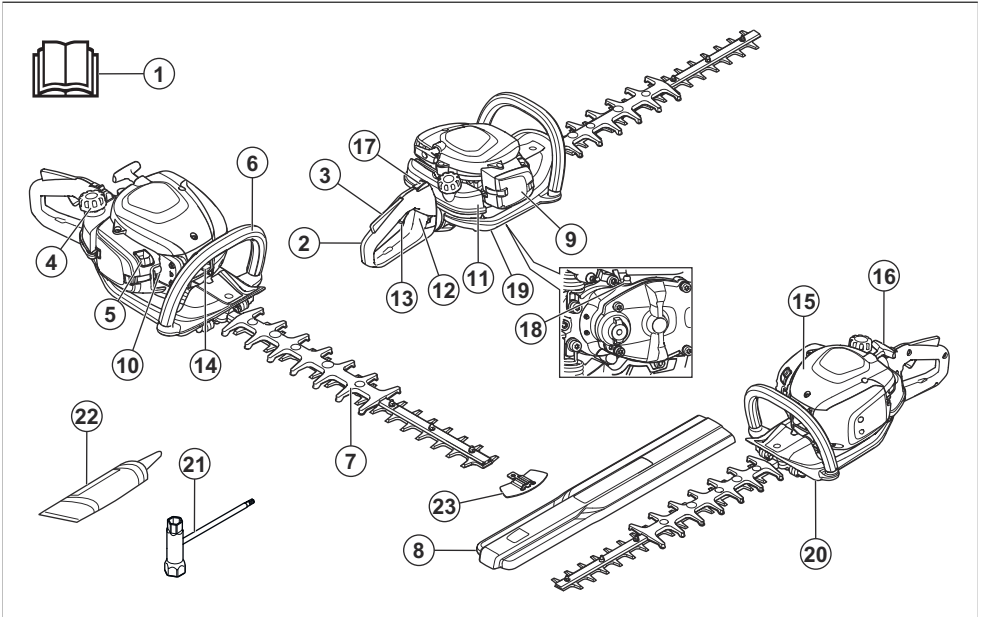


# Inhalt

Einleitung.....	62	Transport, Lagerung und Entsorgung.....	74
Sicherheit.....	63	Technische Angaben.....	74
Betrieb.....	68	Konformitätserklärung.....	76
Wartung.....	71		

# Einleitung

## Produktübersicht



1. Bedienungsanleitung
2. Hinterer Handgriff
3. Gashebelsperre
4. Kraftstofftankdeckel
5. Choke-Hebel
6. Vorderer Handgriff
7. Klinge und Klingenschutz
8. Transportschutz
9. Luftfilterdeckel
10. Kraftstoffpumpe
11. Kraftstofftank
12. Griffverriegelung
13. Gashebel
14. Zündkappe und Zündkerze
15. Zylinderdeckel
16. Startseilhandgriff

17. Stoppschalter
18. Schmiernippel
19. Getriebe
20. Handschutz
21. Kombischlüssel
22. Schmierfetttube
23. Klingenspitzenschutz

## Gerätebeschreibung

Das Gerät ist eine Heckenscherer mit einem Verbrennungsmotor.

## Verwendungszweck

Verwenden Sie das Gerät zum Schneiden von Ästen und Zweigen. Verwenden Sie das Gerät nicht für andere Aufgaben.

## Symbole auf dem Gerät



Stopp.



Gehen Sie vorsichtig vor, und verwenden Sie das Gerät ordnungsgemäß. Dieses Gerät kann schwere oder tödliche Verletzungen des Bedieners oder anderer Personen verursachen.



Lesen Sie die Bedienungsanleitung sorgfältig durch, und machen Sie sich vor der Benutzung mit dem Inhalt vertraut.



Tragen Sie einen geprüften Gehör- und Augenschutz.



Tragen Sie zugelassene Schutzhandschuhe.



Tragen Sie robuste und rutschfeste Stiefel.

# T

Stellschraube für Leerlaufdrehzahl.

# H

Nadel für hohe Drehzahl.

# L

Nadel für niedrige Drehzahl.



Umweltbelastende Geräuschemissionen gemäß der entsprechenden EG-Richtlinie 2000/14/EG und der australischen „Protection of the Environment Operations (Noise Control) Regulation 2017“ (Umweltschutz-/Lärmschutzbestimmung) von New South Wales. Daten zu Geräuschemissionen sind auf dem Geräteschild und im Abschnitt „Technische Daten“ angegeben.

# CE

Dieses Gerät entspricht den geltenden EG-Richtlinien.

# UKCA

Dieses Gerät entspricht den geltenden UK-Richtlinien.

yyyywwxxxx

Auf dem Typenschild ist die Seriennummer angegeben. **yyyy** ist das Produktionsjahr, und **ww** steht für die Produktionswoche.

**Hinweis:** Sonstige Symbole/Aufkleber auf dem Gerät beziehen sich auf Zertifizierungsanforderungen, die in einigen Märkten gelten.

## Emissionen nach Euro V



**WARNUNG:** Bei jeglichen Manipulationen des Motors erlischt die EU-Typgenehmigung für dieses Produkt.

## Sicherheit

### Sicherheitsdefinitionen

Warnungen, Vorsichtsmaßnahmen und Hinweise werden verwendet, um auf besonders wichtige Teile der Bedienungsanleitung hinzuweisen.



**WARNUNG:** Wird verwendet, wenn bei Nichtbeachtung der Gefahren in diesem Handbuch die Gefahr von Verletzung oder Tod des Bedieners oder anderer Personen besteht.



**ACHTUNG:** Wird verwendet, wenn bei Nichtbeachtung der Anweisungen in diesem Handbuch die Gefahr von Schäden am

Gerät, an anderen Materialien oder in der Umgebung besteht.

**Hinweis:** Für weitere Informationen, die in bestimmten Situationen nötig sind.

### Allgemeine Sicherheitshinweise



**WARNUNG:** Lesen Sie die folgenden Warnhinweise, bevor Sie das Gerät benutzen.

- Ein unsachgemäß oder nachlässig verwendetes Gerät kann gefährlich werden und schwere oder

gar lebensgefährliche Verletzungen verursachen. Es ist sehr wichtig, dass Sie den Inhalt dieser Bedienungsanleitung gelesen und verstanden haben.

- Dieses Gerät erzeugt beim Betrieb ein elektromagnetisches Feld. Dieses Feld kann sich unter bestimmten Bedingungen auf die Funktionsweise aktiver oder passiver medizinischer Implantate auswirken. Um die Gefahr von Situationen, die zu schweren oder tödlichen Verletzungen führen können, auszuschließen, sollten Personen mit einem medizinischen Implantat vor der Nutzung dieses Gerätes ihren Arzt und den Hersteller des Implantats konsultieren.
- Personen mit Kreislaufstörungen, die zu oft Vibrationen ausgesetzt werden, laufen Gefahr, Schäden an den Blutgefäßen oder am Nervensystem davonzutragen. Gehen Sie zum Arzt, wenn Sie an Ihrem Körper Symptome feststellen, die darauf hinweisen, dass Sie übermäßigen Vibrationen ausgesetzt waren. Beispiele solcher Symptome sind: Taubheit von Körperteilen, Gefühlsverlust, Jucken, Stechen, Schmerz, Verlust oder Beeinträchtigung der normalen Körperkraft, Veränderungen der Hautfarbe oder der Haut. Diese Symptome treten üblicherweise in Fingern, Händen und Handgelenken auf. Bei niedrigen Temperaturen kann erhöhte Gefahr bestehen.
- Wenn Sie in eine Situation kommen, die Sie in Bezug auf die weitere Anwendung des Gerätes verunsichert, lassen Sie sich von einem Experten beraten. Wenden Sie sich an Ihren Fachhändler oder Ihre Servicewerkstatt. Vermeiden Sie, Arbeiten auszuführen, denen Sie sich nicht gewachsen fühlen.
- Denken Sie daran, dass der Bediener für Unfälle oder Gefahrensituationen verantwortlich ist, die anderen Personen oder deren Eigentum widerfahren.
- Lassen Sie niemals jemand anderen das Gerät benutzen, ohne sich zu vergewissern, dass die Person den Inhalt der Bedienungsanleitung verstanden hat.
- Erlauben Sie niemals Kindern, das Gerät zu benutzen oder sich in seiner Nähe aufzuhalten. Da das Gerät mit einem rückfedernden Stopp-Schalter ausgerüstet ist und mit geringer Geschwindigkeit und Kraft am Starthandgriff gestartet werden kann, können u. U. auch kleine Kinder die Kraft aufbringen, die zum Starten erforderlich ist. Dies kann zu schweren Verletzungen führen. Daher ist stets die Zündkappe zu entfernen, wenn das Gerät ohne Aufsicht ist.
- Das Gerät für Kinder unzugänglich aufbewahren.
- Arbeiten Sie niemals mit dem Gerät, wenn Sie müde sind, Alkohol getrunken oder Medikamente eingenommen haben, da hierdurch Sehkraft, Urteilsvermögen oder Körperkontrolle beeinträchtigt werden können.

- Arbeiten Sie niemals mit einem defekten Gerät. Die Wartungs-, Kontroll- und Serviceanweisungen in dieser Bedienungsanleitung sind sorgfältig zu befolgen. Gewisse Wartungs- und Servicemaßnahmen sind von geschulten, qualifizierten Fachleuten auszuführen. Siehe die Anweisungen unter der Überschrift „Wartung“.
- Arbeiten Sie niemals mit einem Gerät, das ohne Zustimmung des Herstellers modifiziert wurde und nicht mehr mit der Originalausführung übereinstimmt.

## Sicherheitshinweise für den Betrieb



**WARNUNG:** Lesen Sie die folgenden Warnhinweise, bevor Sie das Gerät benutzen.

- Benutzen Sie das Gerät niemals bei extremen Klimaverhältnissen wie strenger Kälte oder sehr heißem und/oder feuchten Klima.
- Falsche Messer können die Unfallgefahr erhöhen.
- Darauf achten, dass bei der Arbeit niemand näher als 15 m herankommt.
- Bei der Arbeit auf die Umgebung achten und sicherstellen, dass weder Menschen noch Tiere mit der Schneidausrüstung in Berührung kommen können.
- Inspizieren Sie den Arbeitsbereich. Entfernen Sie Gegenstände, die weggeschleudert werden können.
- Sorgen Sie immer dafür, dass Sie bei der Arbeit fest und sicher stehen.
- Lassen Sie das Gerät niemals unbeaufsichtigt mit laufendem Motor stehen.
- Stellen Sie sicher, dass Hände und Füße nicht an die Schneideinheit kommen, wenn der Motor läuft.
- Sollte während der Arbeit Material zwischen den Messern hängen bleiben, den Motor abstellen und abwarten, bis er völlig still steht, bevor die Messer gereinigt wird. Das Zündkerzenkabel von der Zündkerze abziehen. Siehe *So überprüfen Sie die Klappen auf Seite 74*.
- Wenn der Motor abgestellt worden ist, Hände und Füße von der Schneideinheit fernhalten, bis diese völlig still steht.
- Auf Aststücken Acht geben, die beim Schneiden weggeschleudert werden können.
- Achten Sie immer genau auf Warnsignale oder Rufe, wenn Sie den Gehörschutz tragen. Nehmen Sie den Gehörschutz immer ab, sobald der Motor abgestellt ist.
- Arbeiten Sie niemals stehend auf einer Leiter oder einem Hocker oder in einer anderen, nicht ausreichend gesicherten erhöhten Position.
- Das Gerät immer mit beiden Händen halten. Das Gerät vor dem Körper halten.
- Wenn ein Fremdkörper getroffen wird oder Vibrationen auftreten, müssen Sie das Gerät abstellen. Das Zündkerzenkabel von der Zündkerze



abziehen. Kontrollieren Sie, ob das Gerät beschädigt ist. Eventuelle Schäden reparieren.

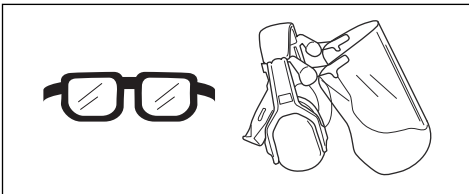
- Stellen Sie sicher, dass Zündkerzenschutz und Zündkabel unversehrt sind, um die Gefahr von elektrischen Schlägen auszuschließen.
- Kontrollieren Sie, ob alle Muttern und Schrauben angezogen sind.
- Dafür sorgen, dass das Getriebe ausreichend geschmiert ist. Siehe *Schmieren des Getriebegehäuses auf Seite 73*.
- Nach der Arbeit mit dem Gerät ist das Getriebegehäuse heiß. Das Getriebegehäuse nicht berühren, um Verbrennungen zu vermeiden.
- Alle Gehäuse- und Schutzteile müssen vor dem Start montiert werden.
- Der Transportschutz ist immer an der Schneideinheit anzubringen, wenn das Gerät nicht benutzt wird.

## Persönliche Schutzausrüstung

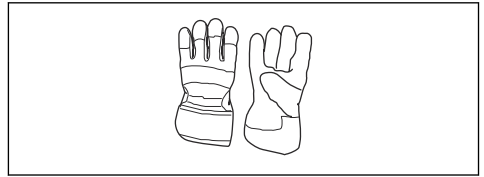


**WARNUNG:** Lesen Sie die folgenden Warnhinweise, bevor Sie das Gerät benutzen.

- Verwenden Sie stets die vorgeschriebene persönliche Schutzausrüstung bei der Benutzung des Geräts. Die persönliche Schutzausrüstung kann Verletzungen nicht vollständig vermeiden, vermindert aber den Umfang der Verletzungen und Schäden bei einem Unfall. Lassen Sie sich von Ihrem Händler bei der Auswahl der richtigen Ausrüstung unterstützen.
- Tragen Sie einen Gehörschutz mit ausreichender Dämmwirkung. Eine längerfristige Beschallung mit Lärm kann zu bleibenden Gehörschäden führen.
- Tragen Sie einen zugelassenen Augenschutz. Bei der Benutzung eines Visiers ist auch eine zugelassene Schutzbrille zu tragen. Zugelassene Schutzbrillen sind in diesem Falle diejenigen, die die Normen ANSI Z87.1 für die USA bzw. EN 166 für EU-Länder erfüllen.



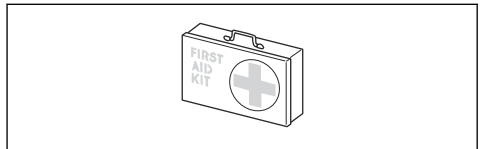
- Tragen Sie bei Bedarf Schutzhandschuhe, beispielsweise bei der Montage, der Untersuchung oder der Reinigung der Schneidausrüstung.



- Verwenden Sie rutschfeste und stabile Stiefel oder Schuhe.



- Tragen Sie Kleidung aus reißfestem Material. Tragen Sie stets eng anliegende Kleidung, lange Hosen aus schwerem Stoff und lange Ärmel. Tragen Sie keine weite Kleidung, die sich leicht an Ästen und Zweigen verfangen könnte. Vermeiden Sie das Tragen von Schmuck, kurzen Hosen und Sandalen. Gehen Sie nicht barfuß. Binden Sie Ihre Haare sicherheitshalber zusammen, sodass sie nicht über Ihre Schulter fallen.
- Halten Sie eine Erste-Hilfe-Ausrüstung und einen Feuerlöscher griffbereit.



## Sicherheitsvorrichtungen am Gerät

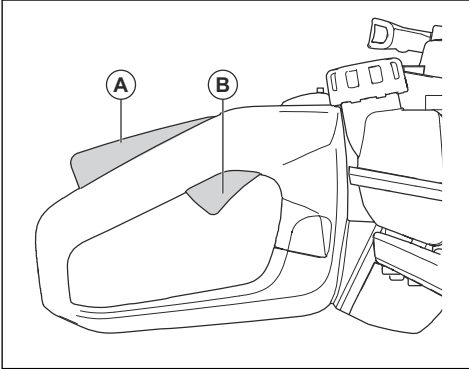


**WARNUNG:** Lesen Sie die folgenden Warnhinweise, bevor Sie das Gerät benutzen.

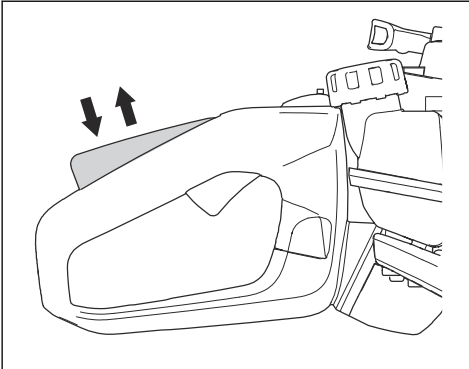
- Benutzen Sie kein Gerät mit defekten Sicherheitsvorrichtungen.
- Führen Sie regelmäßig eine Überprüfung der Sicherheitsvorrichtungen durch. Wenn die Sicherheitsvorrichtungen defekt sind, wenden Sie sich an Ihre Husqvarna-Servicewerkstatt.

## So prüfen Sie die Gashebelsperre

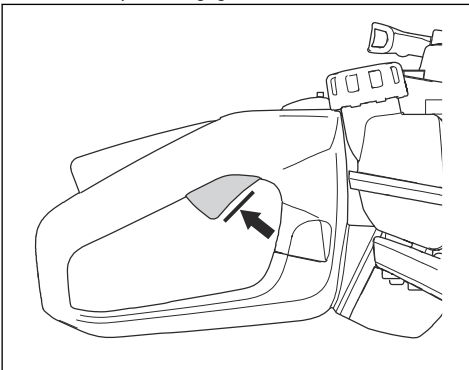
1. Prüfen Sie, ob sich die Gashebelsperre (A) und die Gashebelsperre (B) frei bewegen lassen und ob die Rückholfeder korrekt funktioniert.



2. Drücken Sie die Gashebelsperre herunter, und kontrollieren Sie, ob sie beim Loslassen in die Ausgangsstellung zurückkehrt.



3. Stellen Sie sicher, dass der Gashebel in der Leerlaufstellung verriegelt ist, wenn die Gashebelsperre freigegeben wird.



4. Starten Sie das Gerät, und lassen Sie es mit Vollgas laufen.

5. Lassen Sie den Gashebel los, und prüfen Sie, ob die Klingen stoppen und stehen bleiben.



**WARNUNG:** Wenn die Klingen sich bewegen, während sich der Gashebel in Leerlaufstellung befindet, ist die Leerlaufgeschwindigkeit des Vergasers einzustellen. Siehe *So stellen Sie die Leerlaufdrehzahl ein auf Seite 72*.

#### So prüfen Sie den Stoppschalter

1. Starten Sie den Motor.
2. Drücken Sie den Stoppschalter auf die Position „Aus“, und stellen Sie sicher, dass der Motor zum Stillstand kommt.



**WARNUNG:** Der Stoppschalter kehrt dann automatisch wieder in die Startposition zurück. Um ein versehentliches Starten zu verhindern, entfernen Sie die Zündkappe von der Zündkerze, wenn Sie das Gerät montieren oder warten.

#### So prüfen Sie den Handschutz

Der Handschutz verhindert, dass die Hand das sich bewegende Messer berührt.

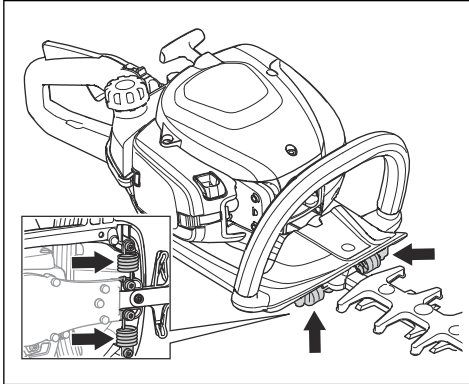
1. Den Motor stoppen.
2. Stellen Sie sicher, dass der Handschutz richtig befestigt ist.
3. Überprüfen Sie den Handschutz auf Beschädigungen.

#### Antivibrationssystem überprüfen

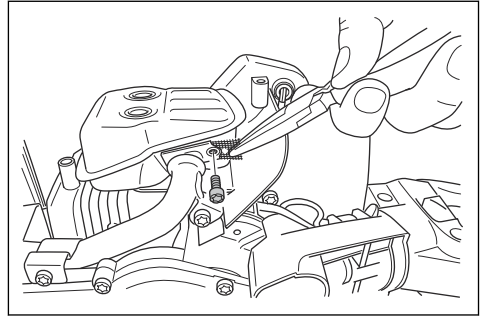
Das Antivibrationssystem verringert Vibrationen in den Griffen. Antivibrationselemente funktionieren als Trennung zwischen Gerät und den Griff.

1. Führen Sie eine Sichtprüfung auf Verformungen und Beschädigungen durch.

2. Stellen Sie sicher, dass die Antivibrationseinheiten korrekt angebracht sind.



2. Führen Sie eine Sichtkontrolle auf Beschädigungen und Verformungen durch.
3. Stellen Sie sicher, dass der Schalldämpfer fest am Gerät montiert ist.
4. Reinigen Sie das Funkenfängernetz vorsichtig mit einer Drahtbürste.



### So prüfen Sie den Schalldämpfer



**WARNUNG:** Betreiben Sie das Gerät niemals ohne oder mit defektem Schalldämpfer. Ein defekter Schalldämpfer kann den Geräuschpegel und die Brandgefahr erhöhen. Verwenden Sie das Gerät nicht ohne und nicht mit einem beschädigten Funkenfängernetz. Weist das Funkenfängernetz Schäden auf, muss es ausgewechselt werden.



**WARNUNG:** Die Schalldämpfer werden während und nach dem Betrieb – auch im Leerlauf – sehr heiß.



**ACHTUNG:** Wenn das Funkenfängernetz häufig verstopft ist, kann dies ein Zeichen dafür sein, dass der Katalysator nicht einwandfrei arbeitet. Lassen Sie den Schalldämpfer von Ihrem Servicehändler kontrollieren. Ein verstopftes Funkenfängernetz kann zu Überhitzung führen, wodurch Schäden an Zylinder und Kolben entstehen können.



**WARNUNG:** Die Innenflächen des Schalldämpfers enthalten Chemikalien, die Krebs verursachen können. Achten Sie darauf, dass Sie diese Teile nicht berühren, wenn der Schalldämpfer beschädigt ist.

Der Schalldämpfer senkt den Geräuschpegel so weit wie möglich und leitet die Abgase des Motors vom Anwender weg. Ein Schalldämpfer mit Katalysator reduziert schädliche Abgase.

1. Stoppen Sie den Motor.

### So prüfen Sie die Klingen und den Klingenschutz

Der äußere Teil der Klingen dient als Klingenschutz. Der Klingenschutz verhindert Schnittverletzungen.

1. Stoppen Sie den Motor, und stellen Sie sicher, dass sich die Klingen nicht mehr bewegen.
2. Entfernen Sie die Zündkappe von der Zündkerze.
3. Ziehen Sie Schutzhandschuhe an.
4. Stellen Sie sicher, dass die Klinge und der Klingenschutz nicht beschädigt oder verbogen sind. Ersetzen Sie stets eine beschädigte oder verbogene Klinge bzw. einen beschädigten Klingenschutz.
5. Achten Sie darauf, dass die Schrauben an den Klingen und am Klingenschutz fest angezogen sind.

### Sicherer Umgang mit Kraftstoff



**WARNUNG:** Lesen Sie die folgenden Warnhinweise, bevor Sie das Gerät benutzen.

- Starten Sie das Gerät nicht, wenn sich Kraftstoff oder Öl darauf befindet. Entfernen Sie den unerwünschten Kraftstoff bzw. das Öl und lassen Sie das Gerät trocknen.
- Wechseln Sie sofort die Kleidung, wenn Sie Kraftstoff darauf verschütten.
- Lassen Sie keinen Kraftstoff auf Ihren Körper gelangen, denn dies kann zu Verletzungen führen. Wenn Kraftstoff auf Ihre Haut gelangt, waschen Sie diesen mit Wasser und Seife ab.
- Starten Sie das Gerät nicht, wenn der Motor undicht ist. Überprüfen Sie den Motor regelmäßig auf Undichtigkeiten.
- Gehen Sie vorsichtig mit Kraftstoff um. Kraftstoff ist feuergefährlich, und die Dämpfe sind explosiv und können zu Verletzungen oder sogar zum Tod führen.

- Atmen Sie die Kraftstoffdämpfe nicht ein, denn sie sind gesundheitsschädigend. Achten Sie auf ausreichende Belüftung.
- Rauchen Sie nicht in der Nähe des Kraftstoffs oder des Motors.
- Stellen Sie keine heißen Gegenstände in der Nähe des Kraftstoffs oder Motors ab.
- Füllen Sie keinen Kraftstoff nach, während der Motor läuft.
- Vergewissern Sie sich, dass der Motor abgekühlt ist, bevor Sie Kraftstoff nachfüllen.
- Öffnen Sie vor dem Nachfüllen den Tankdeckel langsam und lassen Sie den Druck vorsichtig entweichen.
- Füllen Sie keinen Kraftstoff in den Motor, wenn Sie sich in einem Innenraum befinden. Eine mangelhafte Luftzirkulation kann zu schweren oder tödlichen Verletzungen durch Erstickung oder eine Kohlenmonoxidvergiftung führen.
- Schrauben Sie den Kraftstofftankdeckel fest zu. Wenn der Tankverschluss nicht fest zugeschraubt ist, besteht Feuergefahr.
- Bewegen Sie das Produkt vor dem Starten mindestens 3 m von der Stelle fort, an der Sie den Tank befüllt hatten.
- Füllen Sie den Kraftstofftank nicht vollständig auf. Durch Hitze dehnt sich der Kraftstoff aus. Lassen Sie deshalb einen Freiraum im oberen Bereich des Kraftstofftanks.
- Stoppen Sie den Motor und stellen Sie sicher, dass sich die Schneidusrüstung nicht mehr bewegt. Lassen Sie das Gerät abkühlen, bevor Sie Wartungsarbeiten durchführen.
- Trennen Sie die Zündkappe vor Beginn der Wartung.
- Die Abgase des Motors enthalten Kohlenmonoxid, ein geruchloses, giftiges und sehr gefährliches Gas, das zum Tod führen kann. Betreiben Sie das Gerät nicht in geschlossenen Räumen.
- Die Abgase des Motors sind heiß und können Funken schlagen. Lassen Sie das Gerät nicht im Innenbereich oder in der Nähe von brennbaren Materialien laufen.
- Zubehörteile und Änderungen am Gerät, die vom Hersteller nicht genehmigt wurden, können zu schweren Verletzungen oder zum Tod führen. Verändern Sie das Gerät nicht. Verwenden Sie stets Originalzubehör.
- Wenn die Wartung nicht ordnungsgemäß und regelmäßig erfolgt, erhöht sich die Verletzungsgefahr und das Risiko für eine Beschädigung des Geräts.
- Führen Sie die Wartung nur gemäß dieser Betriebsanleitung durch. Lassen Sie alle anderen Wartungsarbeiten von einer autorisierten Husqvarna Servicewerkstatt durchführen.
- Lassen Sie eine autorisierte Husqvarna Servicewerkstatt das Gerät regelmäßig warten.
- Ersetzen Sie beschädigte, abgenutzte oder defekte Teile.

## Sicherheitshinweise für die Wartung



**WARNUNG:** Lesen Sie die folgenden Warnhinweise, bevor Sie das Gerät benutzen.

## Betrieb

### Einleitung



**WARNUNG:** Lesen Sie vor Gebrauch des Geräts das Kapitel über Sicherheit, und machen Sie sich damit vertraut.

### Kraftstoff

Dieses Produkt verfügt über einen Zweitaktmotor.



**ACHTUNG:** Die Verwendung eines falschen Kraftstoffs kann zu einer Beschädigung des Motors führen. Verwenden Sie eine Mischung aus Benzin und Zweitaktöl.

### Vorgemischter Kraftstoff

- Verwenden Sie Husqvarna vorgemischten Alkylatkraftstoff. Dies sorgt für die beste Leistung

und eine Verlängerung der Lebensdauer des Motors. Im Vergleich zu herkömmlichem Kraftstoff enthält dieser Kraftstoff weniger gesundheitsschädliche Substanzen, wodurch der Ausstoß schädlicher Abgase verringert wird. Die Menge von Rückständen nach der Verbrennung ist bei diesem Kraftstoff niedriger. Dadurch bleiben die Bauteile des Motors sauberer.

### So mischen Sie Kraftstoff vor

#### Benzin

- Verwenden Sie hochwertiges bleifreies Benzin mit maximal 10 % Ethanol (E10).



**ACHTUNG:** Verwenden Sie kein Benzin mit einer geringeren Oktanzahl als 90 RON (87 AKI). Bei Einsatz von Kraftstoff mit niedrigerer Oktanzahl kann

es zu einem Klopfen im Motor kommen, das Motorschäden verursacht.

### Zweitaktöl

- Verwenden Sie für beste Ergebnisse und die beste Leistung Husqvarna Zweitaktöl.
- Wenn Husqvarna Zweitaktöl nicht verfügbar ist, verwenden Sie ein qualitativ hochwertiges Zweitaktöl für luftgekühlte Motoren. Wenden Sie sich an Ihren Kundendienst zur Auswahl der richtigen Ölsorte.



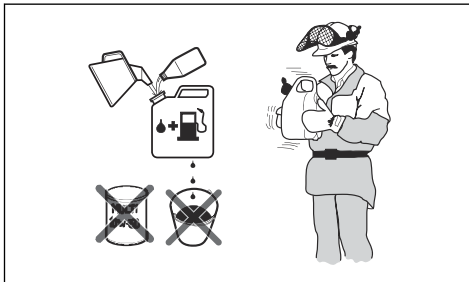
**ACHTUNG:** Verwenden Sie kein Zweitaktöl für wassergekühlte Außenbordmotoren (auch Outboardoil genannt). Verwenden Sie kein Öl für Viertaktmotoren.

### So mischen Sie Benzin und Zweitaktöl

Benzin, Liter	Zweitaktöl, Liter
	<b>2 % (50:1)</b>
5	0,10
10	0,20
15	0,30
20	0,40



**ACHTUNG:** Beim Mischen kleiner Kraftstoffmengen wirken sich auch kleine Abweichungen bei der Ölmenge stark auf das Mischungsverhältnis aus. Um das korrekte Mischungsverhältnis sicherzustellen, muss die beizumischende Ölmenge genau abgemessen werden.



1. Füllen die Hälfte des Benzins in einen sauberen Kraftstoffbehälter.
2. Fügen Sie die gesamte Menge Öl hinzu.
3. Schütteln Sie die Kraftstoffmischung.

4. Geben Sie dann den Rest des Benzins in den Behälter dazu.
5. Schütteln Sie die Kraftstoffmischung sorgfältig.



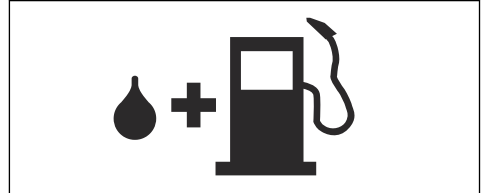
**ACHTUNG:** Mischen Sie Kraftstoff höchstens für einen Monat im Voraus.

### So füllen Sie den Kraftstofftank



**WARNUNG:** Befolgen Sie zu Ihrer eigenen Sicherheit das folgende Verfahren.

1. Stellen Sie den Motor ab, und lassen Sie den Motor abkühlen.
2. Säubern Sie den Bereich rund um den Tankdeckel.



3. Schütteln Sie den Behälter, und stellen Sie sicher, dass der Kraftstoff vollständig vermischt ist.
4. Entfernen Sie den Tankdeckel langsam, damit der Druck entweichen kann.
5. Füllen Sie den Kraftstofftank auf.



**ACHTUNG:** Stellen Sie sicher, dass der Kraftstofftank nicht zu viel Kraftstoff enthält. Der Kraftstoff dehnt sich beim Erwärmen aus.

6. Ziehen Sie den Kraftstofftankdeckel vorsichtig fest.
7. Reinigen Sie das Gerät und den umgebenden Bereich von verschüttetem Kraftstoff.
8. Bewegen Sie das Gerät vor dem Start mindestens 3 m (10 ft) aus dem Auftankbereich und von der Kraftstoff-Auftankquelle weg.

**Hinweis:** Um herauszufinden, wo sich der Kraftstofftank an Ihrem Gerät befindet, siehe *Produktübersicht auf Seite 62*.

### So installieren Sie den Klingenspitzenschutz

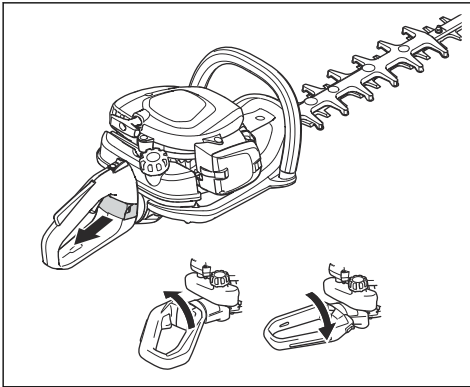
1. Lösen Sie die Mutter und die Schraube an der Klingenspitze.
2. Montieren Sie den Klingenspitzenschutz an der Klingenspitze.
3. Montieren Sie die Schraube, und ziehen Sie diese mit 7 Nm an.

4. Montieren Sie die Mutter, und ziehen Sie diese mit 5 Nm an.

## EINSTELLEN DES HANDGRIFFS

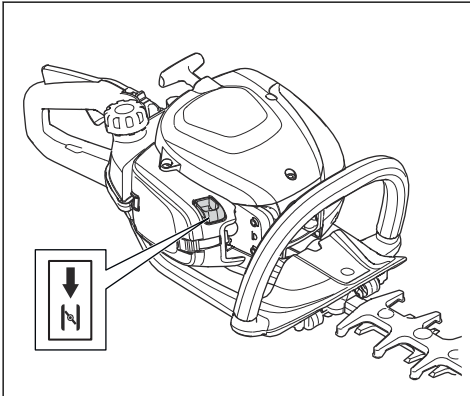
Der hintere Griff kann in 3 Positionen eingestellt werden.

- Lösen Sie die Griffsperrung und drehen Sie den Griff.



## So starten Sie das Gerät bei kaltem Motor

1. Ziehen Sie den Choke-Hebel in die Choke-Lage.



2. Drücken Sie die Kraftstoffpumpenblase ca. 6 Mal, bis sich die Pumpe mit Kraftstoff füllt. Es ist nicht erforderlich, die Kraftstoffpumpe vollständig zu füllen.
3. Drücken Sie den Gerätekörper mit der linken Hand gegen den Boden. Treten Sie nicht auf das Gerät.
4. Ziehen Sie den Startseilhandgriff langsam mit der rechten Hand, bis Sie einen Widerstand spüren, und ziehen Sie schnell und mit Kraft am Startseilhandgriff.



**WARNUNG:** Wickeln Sie das Startseil nicht um Ihre Hand.



**ACHTUNG:** Ziehen Sie das Startseil nicht vollständig heraus, und lassen Sie den Startseilgriff nicht los.

5. Ziehen Sie dann am Startseilhandgriff, bis der Motor startet, und drücken Sie anschließend den Choke-Hebel in die Ausgangsstellung zurück.



**WARNUNG:** Die Klingen bewegen sich, wenn der Motor startet.

6. Ziehen Sie weiter am Startseilhandgriff, bis der Motor startet.
7. Drücken Sie den Gashebel, und lassen Sie ihn dann los, um den Motor im Leerlauf laufen lassen.
8. Drücken Sie den Gashebel langsam, um die Motordrehzahl zu erhöhen.
9. Stellen Sie sicher, dass der Motor einwandfrei läuft.

## Gerät bei warmem Motor starten

1. Drücken Sie den Gerätekörper mit der linken Hand gegen den Boden. Treten Sie nicht auf das Gerät.
2. Ziehen Sie den Startseilhandgriff langsam mit der rechten Hand, bis Sie einen Widerstand spüren, und ziehen Sie schnell und mit Kraft am Startseilhandgriff. Fahren Sie so lange damit fort, bis der Motor startet.

**Hinweis:** Für weitere Informationen zum Starten des Geräts siehe *So starten Sie das Gerät bei kaltem Motor auf Seite 70*.

## Gerät stoppen

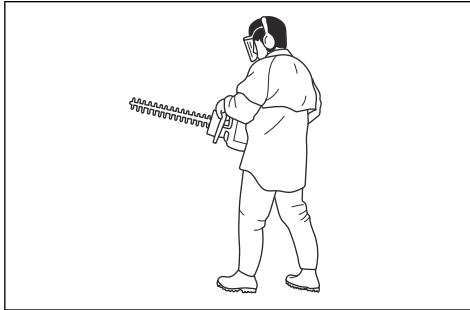
- Legen Sie den Stoppschalter in die Stoppposition, um den Motor abzustellen.



**ACHTUNG:** Der Stoppschalter kehrt dann automatisch wieder in die Position RUN zurück.

## Inbetriebnahme des Geräts

1. Beginnen Sie in Bodennähe und bewegen Sie das Gerät dann nach oben, wenn Sie die Seiten scheiden. Passen Sie auf, dass das Gerätegehäuse nicht die Hecke berührt.



**WARNUNG:** Passen Sie auf, dass die Vorderseite der Schneidausrüstung nicht den Boden berührt.

2. Passen Sie das Tempo je nach Arbeitsaufwand an.
3. Halten Sie das Gerät für eine stabile Arbeitsposition nahe am Körper.
4. Gehen Sie vorsichtig vor, und verwenden Sie das Gerät langsam.

## Wartung

### Einleitung

Sicherheit, und machen Sie sich damit vertraut.



**WARNUNG:** Lesen Sie vor dem Warten des Geräts das Kapitel über

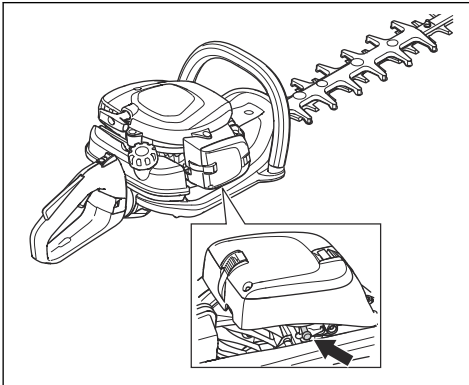
### Wartungsplan

Wartung	Vor dem Betrieb	Nach 40 h	Nach 100 h
Reinigen Sie die Außenfläche.	Nach jedem Gebrauch		
Befreien Sie den Schalldämpfer, die Abgasleitung und den Motor von Laub, Schmutz und unerwünschten Schmiermitteln.	Nach jedem Gebrauch		
Vergewissern Sie sich, dass sich die Schneidausrüstung im Leerlauf nicht bewegt.	X		
Prüfen Sie den Stoppschalter.	X		
Überprüfen Sie die Schneidausrüstung und die Schutzvorrichtung für die Schneidausrüstung auf Beschädigungen oder Risse. Tauschen Sie sie bei Beschädigungen aus.	X		
Überprüfen Sie den Handschutz auf Beschädigung und Risse. Tauschen Sie ihn bei Beschädigungen aus.	X		
Überprüfen Sie die Gashebelsperre und den Gashebel.	X		
Untersuchen Sie den Motor, den Kraftstofftank und die Kraftstoffleitungen auf Undichtigkeiten.	X		
Ziehen Sie alle Muttern und Schrauben an.	X		
Überprüfen Sie den Kraftstofffilter auf Verschmutzungen und den Kraftstoffschlauch auf Risse oder andere Beschädigungen. Tauschen Sie sie bei Bedarf aus.	X		
Überprüfen Sie den Anlasser und das Startseil auf Beschädigungen.		X	

Wartung	Vor dem Betrieb	Nach 40 h	Nach 100 h
Reinigen Sie den Luftfilter. Tauschen Sie sie bei Bedarf aus.		X	
Überprüfen Sie die Antivibrationseinheiten auf Beschädigungen und Risse.		X	
Überprüfen Sie die Zündkerze (siehe <i>So überprüfen Sie die Zündkerze auf Seite 73</i> ).		X	
Reinigen Sie das Kühlsystem.		X	
Reinigen Sie die Außenseite des Vergasers und den umliegenden Bereich.		X	
Reinigen Sie das Funkenfängernetz oder tauschen Sie es aus.			X
Reinigen Sie den Kraftstofftank inwendig.			X
Überprüfen Sie die Zündkerze.			X
Stellen Sie sicher, dass das Getriebegehäuse mit Schmierfett gefüllt ist.			X

## So stellen Sie die Leerlaufdrehzahl ein

1. Reinigen Sie den Luftfilter, und montieren Sie den Luftfilterdeckel.
2. Starten Sie das Gerät, siehe *So starten Sie das Gerät bei kaltem Motor auf Seite 70*.
3. Drehen Sie die Stellschraube T im Uhrzeigersinn, bis die Schneidausrüstung sich zu bewegen beginnt.



4. Drehen Sie die Stellschraube gegen den Uhrzeigersinn, bis die Schneidausrüstung stehen bleibt.



**WARNUNG:** Wenn die Schneidausrüstung nicht stoppt, während Sie die Leerlaufdrehzahl anpassen, wenden Sie sich an Ihren nächsten Servicehändler. Verwenden Sie das Gerät erst wieder, wenn es richtig eingestellt ist oder repariert wurde.

**Hinweis:** Die Leerlaufdrehzahl ist richtig eingestellt, wenn der Motor in allen Stellungen gleichmäßig läuft. Siehe *Technische Angaben auf Seite 74* für die empfohlene Leerlaufdrehzahl.

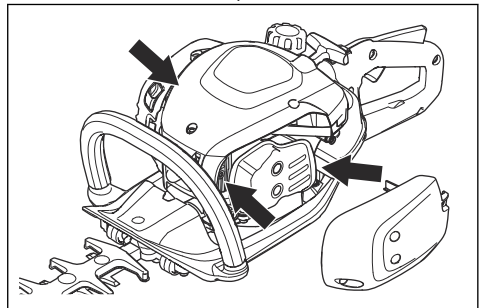
## So reinigen Sie das Kühlsystem

Das Kühlsystem hält die Motortemperatur niedrig. Das Kühlsystem umfasst die Kühlrippen auf dem Zylinder und dem Startvorrichtungsgehäuse.



**ACHTUNG:** Der Lufterlass zwischen dem Kraftstofftank und dem Kurbelgehäuse wird leicht durch Laub blockiert. Reinigen Sie den Lufterlass vollständig.

1. Reinigen Sie das Kühlsystem wöchentlich oder bei Bedarf häufiger mit einer Bürste.
2. Stellen Sie sicher, dass das Kühlsystem nicht verschmutzt oder verstopft ist.



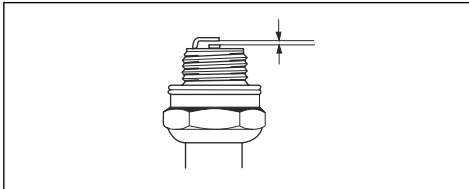


## So überprüfen Sie die Zündkerze



**ACHTUNG:** Verwenden Sie stets den vom Hersteller empfohlenen Zündkerzentyp! Die Verwendung eines falschen Zündkerzentyps kann zu Schäden am Gerät führen.

- Überprüfen Sie die Zündkerze, wenn der Motor nur schwache Leistung bringt, sich nur schwer starten lässt oder im Leerlauf nicht ordnungsgemäß funktioniert.
- Wenn Sie diese Anweisungen befolgen, verringern Sie die Gefahr von unerwünschtem Material an den Elektroden der Zündkerze:
  - a) Stellen Sie sicher, dass die Leerlaufdrehzahl richtig eingestellt ist.
  - b) Vergewissern Sie sich, dass das Kraftstoffgemisch korrekt ist.
  - c) Vergewissern Sie sich, dass der Luftfilter sauber ist.
- Ist die Zündkerze verschmutzt, so ist sie zu reinigen; gleichzeitig ist zu prüfen, ob der Elektrodenabstand korrekt ist, siehe *Technische Angaben auf Seite 74*.

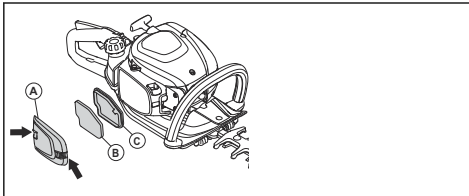


- Tauschen Sie die Zündkerze bei Bedarf aus.

## So reinigen Sie den Luftfilter

Reinigen Sie den Luftfilter regelmäßig von Staub und Schmutz. Dies verhindert Fehlfunktionen des Vergasers, Probleme beim Anlassen, Leistungsverlust des Motors, Verschleiß der Motorteile und einen Kraftstoffverbrauch als gewöhnlich.

1. Nehmen Sie den Luftfilterdeckel (A) ab.
2. Entfernen Sie den Schaumfilter (B) und den Filzfilter (C) vom Filterrahmen.



3. Ersetzen Sie den Filzfilter (C).
4. Reinigen Sie den Schaumfilter (B) mit warmer Seifenlauge.

**Hinweis:** Ein Luftfilter, der über lange Zeit verwendet wurde, kann nicht vollständig gereinigt werden. Wechseln Sie den Luftfilter regelmäßig aus, und wechseln Sie stets defekte Luftfilter aus.

5. Stellen Sie sicher, dass der Schaumfilter (B) trocken ist.
6. Tragen Sie Luftfilteröl auf den Schaumfilter (B) auf. Siehe *So tragen Sie Öl auf den Luftfilter auf auf Seite 73*
7. Reinigen Sie zudem die Innenseite des Luftfilterdeckels (A). Verwenden Sie dazu Druckluft oder eine Bürste.

## So tragen Sie Öl auf den Luftfilter auf

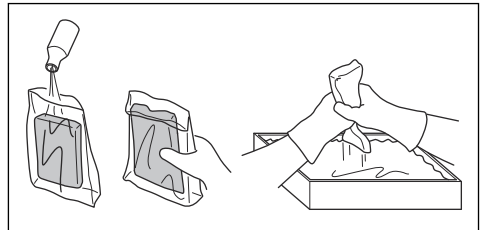


**ACHTUNG:** Immer spezielles Filteröl Husqvarna verwenden. Verwenden Sie keine anderen Arten von Öl.



**WARNUNG:** Ziehen Sie Schutzhandschuhe an. Das Öl des Luftfilters kann Hautreizungen verursachen.

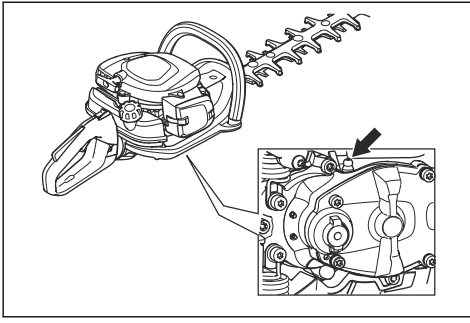
1. Stecken Sie den Luftfilter in einen Plastikbeutel.
2. Schütten Sie das Öl in den Plastikbeutel.
3. Reiben Sie die Plastiktüte, um das Öl gleichmäßig über den Luftfilter zu verteilen.
4. Drücken Sie das unerwünschte Öl aus dem Luftfilter, solange sich dieser in der Plastikhülle befindet.



## Schmieren des Getriebegehäuses

- Verwenden Sie Husqvarna Spezialfett. Ihr Servicehändler steht Ihnen gern für weitere Informationen zu empfohlenen Schmierfetten zur Verfügung.

- Geben Sie das Fett über die Schmiernippel zu.



**ACHTUNG:** Füllen Sie das Getriebegehäuse nicht vollständig.

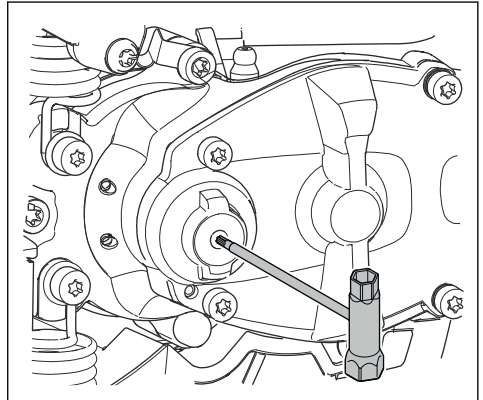
## So reinigen und schmieren Sie die Klingen

1. Reinigen Sie die Klingen vor und nach dem Betrieb des Geräts von unerwünschten Materialien.
2. Schmieren Sie vor der Langzeitaufbewahrung die Klingen.

**Hinweis:** Ihr Servicehändler steht Ihnen gerne für weitere Informationen zu empfohlenen Reinigungsmitteln und Schmierstoffen zur Verfügung.

## So überprüfen Sie die Klingen

1. Entfernen Sie die Kappe am Getriebegehäuse.
2. Stellen Sie sicher, dass sich die Klingen frei bewegen können. Setzen Sie den Kombischlüssel in das Getriebegehäuse, und drehen Sie diese im und gegen den Uhrzeigersinn.



3. Überprüfen Sie die Kanten der Klingen auf Schäden oder Verformungen.
4. Entfernen Sie mit einer Feile Grate auf den Klingen.

## Transport, Lagerung und Entsorgung

### Transport und Lagerung

- Lassen Sie das Gerät vor der Lagerung stets abkühlen.
- Für die Lagerung und den Transport des Geräts und des Kraftstoffs ist darauf zu achten, dass keine Lecks oder Dämpfe vorhanden sind. Funken oder offene Flammen, zum Beispiel von elektrischen Geräten oder einem Boiler, können ein Feuer auslösen.
- Verwenden Sie für die Lagerung und den Transport von Kraftstoff immer zugelassene Behälter.
- Leeren Sie den Kraftstofftank vor dem Transport oder vor der Langzeitaufbewahrung.

Entsorgen Sie den Kraftstoff in einer geeigneten Abfallentsorgungsstelle.

- Bringen Sie den Transportschutz während des Transports und der Lagerung an.
- Entfernen Sie die Zündkappe von der Zündkerze.
- Befestigen Sie das Gerät während des Transports. Sorgen Sie dafür, dass sich das Gerät während des Transports nicht bewegen kann.
- Reinigen und warten Sie das Gerät, bevor Sie es für längere Zeit einlagern.

## Technische Angaben

### Technische Angaben

	522HD60X	522HDR60X	522HDR75X
Motor			

	522HD60X	522HDR60X	522HDR75X
Hubraum, cm <sup>3</sup>	21,7	21,7	21,7
Leerlaufdrehzahl, U/min.	3000	3000	3000
Empfohlenes max. Tempo, U/min.	9200	9200	9200
Motorhöchstleistung nach ISO 8893, kW/PS bei U/min.	0,6/0,8 bei 7800	0,6/0,8 bei 7800	0,6/0,8 bei 7800
Katalysatorschalldämpfer	Ja	Ja	Ja
<b>Zündanlage</b>			
Zündkerze	NGK CMR6A	NGK CMR6A	NGK CMR6A
Elektrodenabstand, mm	0,5	0,5	0,5
<b>Kraftstoff</b>			
Füllmenge Kraftstofftank, (l/cm <sup>3</sup> )	0,45/450	0,45/450	0,45/450
<b>Gewicht</b>			
Ohne Kraftstoff, kg	4,9	5,0	5,2
<b>Geräuschemissionen</b> <sup>13</sup>			
Gemessener Schalleistungspegel dB (A)	101	101	101
Schalleistungspegel, garantiert L <sub>WA</sub> dB (A)	102	102	102
<b>Lautstärke</b> <sup>14</sup>			
Äquivalenter Schalldruckpegel am Ohr des Bedieners, gemessen nach EN ISO 10517, dB (A)	93	93	93
<b>Vibrationswerte</b> <sup>15</sup>			
Äquivalente Vibrationspegel (a <sub>hv,eq</sub> ) an den Griffen, gemessen nach EN ISO 10517, m/s <sup>2</sup> :			
Vorderseite/Hinterseite, mm/s <sup>2</sup>	2,7/1,2	2,8/1,3	2,1/2,2
<b>Messer</b>			
Typ	Doppelseitig	Doppelseitig	Doppelseitig
Messerlänge, mm	600	600	750
Schnittgeschwindigkeit, Schnitte/Min.	4400	3200	3200

<sup>13</sup> Umweltbelastende Geräuschemissionen, gemessen als Schalleistung (L<sub>WA</sub>) gemäß EG-Richtlinie 2000/14/EG. Der aufgezeichnete Lautstärkepegel für das Gerät wurde unter Verwendung der originalen Schneidausrüstung mit dem höchsten Pegel gemessen. Die Differenz zwischen garantiertem und gemessenem Schalleistungspegel besteht darin, dass beim garantierten Schalleistungspegel auch eine Streuung im Messergebnis und Variationen zwischen verschiedenen Geräten desselben Modells gemäß der Richtlinie 2000/14/EG berücksichtigt werden.

<sup>14</sup> Berichten zufolge liegt der Schalldruckpegel normalerweise bei einer Ausbreitungsklasse (standardmäßige Ausbreitung) von 1 dB (A).

<sup>15</sup> Berichten zufolge liegt der Vibrationspegel normalerweise bei einer Ausbreitungsklasse (Standardabweichung) von 1 m/s<sup>2</sup>.

# Konformitätserklärung

## EU-Konformitätserklärung

Die **Husqvarna AB**, SE-561 82 Huskvarna, Schweden,  
Tel.: +46-36-146500, erklärt in alleiniger Verantwortung,  
dass das Gerät:

<b>Beschreibung</b>	Heckenschere
<b>Marke</b>	Husqvarna
<b>Typ/Modell</b>	522HD60X, 522HDR60X, 522HDR75X
<b>Identifizierung</b>	Seriennummern ab 2022

die folgenden EU-Richtlinien und -Verordnungen erfüllt:

<b>Verordnung</b>	<b>Beschreibung</b>
2006/42/EG	„Maschinenrichtlinie“
2014/30/EG	„EMV-Richtlinie“
2000/14/EG	„über umweltbelastende Geräuschemissionen von zur Verwendung im Freien vorgesehenen Geräten und Maschinen“
2011/65/EG	„zur Beschränkung der Verwendung bestimmter gefährlicher Stoffe in Elektro- und Elektronikgeräten“

und dass die folgenden Normen und/oder technischen Daten angewendet werden: EN ISO 12100:2021, CISPR 12: 2009, EN ISO 10517:2009/A1:2013, EN IEC 63000:2018.

RISE SMP Svensk Maskinprovning AB, hat im Auftrag von Husqvarna AB eine freiwillige Typenprüfung durchgeführt. Certificate number: SEC/18/2518.

RISE SMP Svensk Maskinprovning AB, hat die Übereinstimmung mit der Richtlinie des Rats vom 8. Mai 2000 „über umweltbelastende Geräuschemissionen von zur Verwendung im Freien vorgesehenen Geräten und Maschinen“ 2000/14/EG bestätigt. Zertifikatsnummern: 01/094/026-522HD60X, 01/094/027-522HDR60X, 522HDR75X.

Informationen zu Geräuschemissionen finden Sie unter *Technische Angaben auf Seite 74*.

Huskvarna, 2022-05-09

Stefan Holmberg, R&D Director, Technology Management, Husqvarna AB

Verantwortlich für die technische Dokumentation

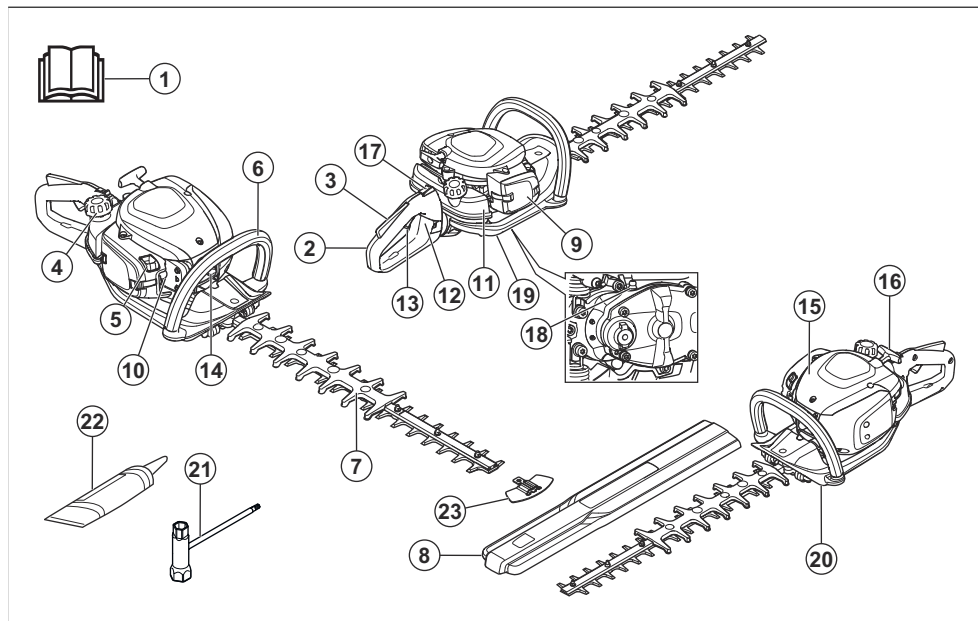


## Περιεχόμενα

Εισαγωγή.....	77	Μεταφορά, αποθήκευση και απόρριψη.....	89
Ασφάλεια.....	78	Τεχνικά στοιχεία.....	90
Λειτουργία.....	83	Δήλωση Συμμόρφωσης.....	92
Συντήρηση.....	86		

## Εισαγωγή

### Επισκόπηση προϊόντος



1. Εγχειρίδιο χρήσης
2. Οπίσθια χειρολαβή
3. Ασφάλεια σκανδάλης γκαζιού
4. Τάπα ντεπόζιτου καυσίμου
5. Χειριστήριο τσok
6. Εμπρόςθια χειρολαβή
7. Λεπίδα και προφυλακτήρας λεπίδας
8. Προστατευτικό μεταφοράς
9. Κάλυμμα φίλτρου αέρα
10. Φούσκα πλήρωσης χειροκίνητης αντλίας καυσίμου (πουάρ)
11. Ντεπόζιτο καυσίμου
12. Ασφάλεια λαβής
13. Σκανδάλη γκαζιού
14. Καπάκι μπουζί και μπουζί
15. Κάλυμμα κυλίνδρου
16. Λαβή εκκίνησης
17. Διακόπτης τερματισμού λειτουργίας
18. Γρασαδόρος
19. Περιβλήμα γραναζιών
20. Προστατευτικό χεριού
21. Γερμανοπολύγωνο κλειδί
22. Σωληνάριο γράσου
23. Προστατευτικό άκρου της λεπίδας

### Περιγραφή προϊόντος

Το προϊόν είναι ένα μπροντουροψάλιδο με κινητήρα εσωτερικής καύσης.

## Προβλεπόμενη χρήση

Το προϊόν χρησιμοποιείται για την κοπή κλαδιών και κλωναριών. Μην χρησιμοποιείτε το προϊόν για άλλες εργασίες.

## Σύμβολα στο προϊόν



Διακοπή.



Να είστε προσεκτικοί και να χρησιμοποιείτε το προϊόν σωστά. Αυτό το προϊόν μπορεί να προκαλέσει σοβαρό τραυματισμό ή θάνατο του χειριστή ή άλλων ατόμων.



Προτού χρησιμοποιήσετε το προϊόν, διαβάστε προσεκτικά το εγχειρίδιο χρήσης και βεβαιωθείτε ότι έχετε κατανοήσει τις οδηγίες.



Πρέπει να χρησιμοποιείτε προστατευτικά ακοής και εγκεκριμένα μέσα προστασίας των ματιών.



Χρησιμοποιείτε εγκεκριμένα προστατευτικά γάντια.



Χρησιμοποιήστε αντιολισθητικές μπότες βαρέος τύπου.

# T

Βίδα ρύθμισης ρελαντί.

# H

Βελόνα υψηλής ταχύτητας.

# L

Βελόνα χαμηλής ταχύτητας.



Εκπομπές θορύβου στο περιβάλλον σύμφωνα με την ευρωπαϊκή οδηγία 2000/14/ΕΚ και τη νομοθεσία της Νότιας Νέας Ουαλίας "Κανονισμός για την προστασία των περιβαλλοντικών δράσεων (έλεγχος θορύβου) του 2017". Τα στοιχεία για τις εκπομπές θορύβου βρίσκονται στην ετικέτα του μηχανήματος και στο κεφάλαιο "Τεχνικά στοιχεία".

# CE

Το προϊόν συμμορφώνεται με τις ισχύουσες οδηγίες ΕΚ.

# UK CA

Αυτό το προϊόν συμμορφώνεται με τις ισχύουσες οδηγίες του Η.Β.

yyyywwxxxx

Η πινακίδα στοιχείων δείχνει τον αριθμό σειράς. Το **yyyy** είναι το έτος παραγωγής και το **ww** είναι η εβδομάδα παραγωγής.

---

**Περιεχόμενα** Άλλα σύμβολα/σήματα που υπάρχουν στο προϊόν αναφέρονται σε απαιτήσεις πιστοποίησης για ορισμένες αγορές.

---

## Εκπομπές Euro V



**ΠΡΟΕΙΔΟΠΟΙΗΣΗ:** Οποιαδήποτε μη εξουσιοδοτημένη παρέμβαση στον κινητήρα ακυρώνει την έγκριση τύπου ΕΕ αυτού του προϊόντος.

---

## Ασφάλεια

### Ορισμοί για την ασφάλεια

Για την επισήμανση ειδικών σημαντικών τμημάτων του εγχειριδίου χρησιμοποιούνται προειδοποιήσεις, συστάσεις προσοχής και σημειώσεις.



**ΠΡΟΕΙΔΟΠΟΙΗΣΗ:** Χρησιμοποιείται όταν υπάρχει κίνδυνος τραυματισμού ή θανάτου του χειριστή ή άλλων

παριστάμενων ατόμων, αν δεν τηρηθούν οι οδηγίες που παρέχονται στο εγχειρίδιο.



**ΠΡΟΣΟΧΗ:** Χρησιμοποιείται όταν υπάρχει κίνδυνος πρόκλησης ζημιάς στο προϊόν, σε άλλα υλικά ή στον παρακείμενο χώρο, αν δεν τηρηθούν οι οδηγίες που παρέχονται στο εγχειρίδιο.

---

**Περιεχόμενα** Χρησιμοποιείται για παροχή περισσότερων πληροφοριών, οι οποίες χρειάζονται σε μια δεδομένη κατάσταση.

## Γενικές οδηγίες ασφαλείας



**ΠΡΟΕΙΔΟΠΟΙΗΣΗ:** Προτού χρησιμοποιήσετε το προϊόν, διαβάστε τις παρακάτω προειδοποιητικές οδηγίες.

- Η εσφαλμένη ή απρόσεκτη χρήση του προϊόντος μπορεί να το καταστήσει ένα επικίνδυνο εργαλείο, ικανό να προκαλέσει σοβαρό ή ακόμα και θανατηφόρο τραυματισμό. Είναι ιδιαίτερα σημαντικό να διαβάσετε και να κατανοείτε τα περιεχόμενα του παρόντος εγχειριδίου χρήστη.
- Αυτό το προϊόν παράγει ηλεκτρομαγνητικό πεδίο κατά τη λειτουργία του. Το πεδίο αυτό, υπό ορισμένες συνθήκες, μπορεί να προκαλέσει παρεμβολές σε ενεργά ή παθητικά ιατρικά εμφυτεύματα. Προκειμένου να μειωθεί ο κίνδυνος παθήσεων που μπορεί να προκαλέσουν τραυματισμό ή θάνατο, συνιστούμε στα άτομα με ιατρικά εμφυτεύματα να συμβουλευτούν το θεράποντα ιατρό τους και τον κατασκευαστή του ιατρικού εμφυτεύματος, πριν να θέσουν το προϊόν σε λειτουργία.
- Η υπερέκθεση σε κραδασμούς μπορεί να προκαλέσει βλάβη στο κυκλοφορικό ή νευρικό σύστημα σε άτομα με βεβαρημένο κυκλοφορικό. Εάν αισθανθείτε συμπτώματα υπερέκθεσης σε κραδασμούς, επικοινωνήστε με το γιατρό σας. Παραδείγματα τέτοιων συμπτωμάτων είναι το μούδιασμα, η απώλεια αίσθησης, οι σουβλιές, ο πόνος, η μυϊκή ατονία και η αλλαγή του χρώμα ή την κατάσταση του δέρματος. Τα συμπτώματα αυτά συνήθως εμφανίζονται στα δάκτυλα, τα χέρια ή τους καρπούς. Ο κίνδυνος αυξάνεται σε χαμηλές θερμοκρασίες.
- Εάν προκύψει μια κατάσταση όπου δεν είστε σίγουροι για το πώς πρέπει να προχωρήσετε, θα πρέπει να ζητήσετε τη συμβουλή ειδικού. Επικοινωνήστε με τον αντιπρόσωπο ή το συνεργείο σας. Αποφεύγετε τις καταστάσεις χρήσης, τις οποίες θεωρείτε πέραν των δυνατοτήτων σας.
- Λάβετε υπόψη ότι ο χειριστής είναι υπεύθυνος για ατυχήματα ή επικίνδυνες καταστάσεις που μπορεί να προκληθούν σε άλλα άτομα ή στην περιουσία τους.
- Μην επιτρέπετε ποτέ σε άλλα άτομα να χρησιμοποιούν το προϊόν χωρίς προηγούμενες να έχετε διασφαλίσει ότι έχουν κατανοήσει τα περιεχόμενα του εγχειριδίου χρήσης.
- Μην επιτρέπετε ποτέ σε παιδιά να χρησιμοποιούν το προϊόν ή να βρίσκονται κοντά σε αυτό. Καθώς το προϊόν είναι εξοπλισμένο με ελατηριωτό διακόπτη διακοπής λειτουργίας και μπορεί να εκκινήσει με χαμηλή ταχύτητα και δύναμη στη λαβή του συστήματος εκκίνησης, ακόμη και μικρά παιδιά, υπό ορισμένες συνθήκες, μπορούν να ασκήσουν

τη δύναμη που χρειάζεται για την εκκίνηση του προϊόντος. Αυτό μπορεί να οδηγήσει σε σοβαρό προσωπικό τραυματισμό. Συνεπώς, πρέπει να αφαιρείτε το καπάκι του μπουζί, όταν το προϊόν δεν βρίσκεται υπό στενή παρακολούθηση.

- Αποθηκεύστε το προϊόν μακριά από παιδιά.
- Μην χρησιμοποιείτε ποτέ το προϊόν εάν είστε κουρασμένοι, έχετε καταναλώσει αλκοόλ ή παίρνετε φάρμακα που μπορεί να επηρεάσουν την όραση, την κρίση ή το συντονισμό σας.
- Μην χρησιμοποιείτε ποτέ το προϊόν εάν παρουσιάζει πρόβλημα. Εκτελείτε όλους τους ελέγχους και τις οδηγίες συντήρησης και επισκευής που αναφέρονται στο παρόν εγχειρίδιο. Μερικά μέτρα συντήρησης και επισκευής πρέπει να εκτελούνται από εκπαιδευμένο και ειδικευμένο προσωπικό. Ανατρέξτε στις οδηγίες της ενότητας με τίτλο Συντήρηση.
- Μην χρησιμοποιείτε ποτέ το προϊόν, εάν έχει τροποποιηθεί με οποιονδήποτε τρόπο από τις αρχικές προδιαγραφές του.

## Οδηγίες ασφαλείας για τη λειτουργία



**ΠΡΟΕΙΔΟΠΟΙΗΣΗ:** Προτού χρησιμοποιήσετε το προϊόν, διαβάστε τις παρακάτω προειδοποιητικές οδηγίες.

- Μην χρησιμοποιείτε ποτέ το προϊόν σε ακραίες καιρικές συνθήκες π.χ. σε δριμύ ψύχος ή σε πολύ θερμά ή/και υγρά κλίματα.
- Οι ελαττωματικές Λεπίδες μπορεί να αυξήσουν τον κίνδυνο ατυχημάτων.
- Διασφαλίστε ότι δεν πλησιάζει κανείς σε απόσταση μικρότερη από 15 m / 50 ft από το μηχάνημα όταν εργάζεστε.
- Παρακολουθείτε τον περιβάλλοντα χώρο και βεβαιωθείτε ότι δεν υπάρχει κίνδυνος να έρθουν σε επαφή άνθρωποι ή ζώα με τον εξοπλισμό κοπής.
- Επιθεωρήστε τον χώρο εργασίας. Απομακρύνετε αντικείμενα που μπορεί να εκτιναχτούν.
- Εξασφαλίστε πάντοτε μια ασφαλή και σταθερή θέση εργασίας.
- Μην αφήνετε ποτέ το μηχάνημα χωρίς επίβλεψη με τον κινητήρα σε λειτουργία.
- Βεβαιωθείτε ότι τα χέρια και τα πόδια σας δεν πλησιάζουν στη μονάδα κοπής όταν ο κινητήρας βρίσκεται σε λειτουργία.
- Εάν μαγκώνετε οδιδήποτε στις λάμες ενώ εργάζεστε, σβήστε τον κινητήρα και περιμένετε να ακινητοποιηθεί εντελώς προτού καθαρίσετε τις λεπίδες. Αποσυνδέστε το καλώδιο ΥΤ από το μπουζί. Ανατρέξτε στην ενότητα *Έλεγχος των λεπίδων στη σελίδα 89*.
- Όταν σβήσει ο κινητήρας, κρατήστε τα χέρια και τα πόδια σας μακριά από τη μονάδα κοπής μέχρι να ακινητοποιηθεί εντελώς.
- Προσέχετε για κομμένα υπολείμματα κλαδιών που μπορεί να εκσφενδονιστούν κατά το κόψιμο.

- Επιδείξτε προσοχή στην ακρόαση προειδοποιητικών σημάτων ή κραυγών κατά τη χρήση προστατευτικών ακοής. Αφαιρείτε πάντα τα προστατευτικά ακοής μόλις σβήσει ο κινητήρας.
- Μην εργάζεστε ποτέ σε σκάλα, σκαμνή ή άλλη ανυψωμένη θέση η οποία δεν είναι απόλυτα ασφαλής.
- Κρατάτε πάντα το προϊόν και με τα δύο χέρια. Φροντίστε να κρατάτε το προϊόν μπροστά από το σώμα σας.
- Σε περίπτωση πρόσκρουσης σε ξένο σώμα ή ύπαρξης κραδασμών, διακόψτε αμέσως τη λειτουργία του μηχανήματος. Αποσυνδέστε το καλώδιο ΥΤ από το μπουζί. Βεβαιωθείτε ότι το μηχάνημα δεν έχει υποστεί ζημιά. Επιδιορθώστε τυχόν ζημιές.
- Βεβαιωθείτε ότι το καπάκι του μπουζί και το μπουζοκαλώδιο δεν έχουν υποστεί ζημιά, για να αποφύγετε τον κίνδυνο ηλεκτροπληξίας.
- Βεβαιωθείτε ότι όλα τα παξιμάδια και οι βίδες είναι σφιγμένα.
- Βεβαιωθείτε ότι το περιβλήμα γραναζιών λιπαίνεται σωστά. Ανατρέξτε στην ενότητα *Λίπανση του περιβλήματος γραναζιών στη σελίδα 89*.
- Το περιβλήμα γραναζιών θερμαίνεται πολύ μετά τη χρήση του προϊόντος. Για να αποφύγετε τυχόν έγκαυμα, μην αγγίζετε το περιβλήμα των γραναζιών.
- Όλα τα καλύμματα και τα προστατευτικά πρέπει να είναι τοποθετημένα στο μηχάνημα πριν το θέσετε σε λειτουργία.
- Το προστατευτικό μεταφοράς θα πρέπει πάντα να τοποθετείται στη μονάδα κοπής όταν το προϊόν δεν χρησιμοποιείται.

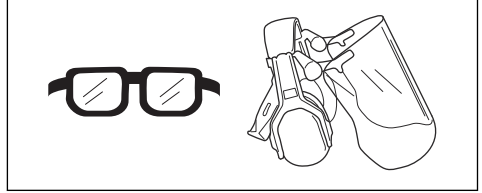
## Προσωπικός εξοπλισμός προστασίας



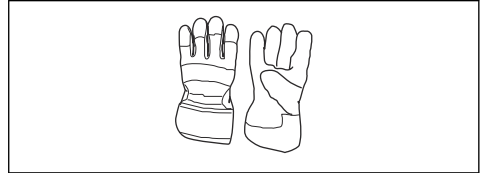
**ΠΡΟΕΙΔΟΠΟΙΗΣΗ:** Προτού χρησιμοποιήσετε το προϊόν, διαβάστε τις παρακάτω προειδοποιητικές οδηγίες.

- Όταν χρησιμοποιείτε το προϊόν, να φοράτε πάντα εγκεκριμένο προσωπικό εξοπλισμό προστασίας. Ο προσωπικός εξοπλισμός προστασίας δεν μπορεί να εξαλείψει τον κίνδυνο τραυματισμών, ωστόσο μειώνει τη σοβαρότητά τους σε περίπτωση ατυχήματος. Ο αντιπρόσωπος θα σας βοηθήσει να επιλέξετε το σωστό εξοπλισμό.
- Να χρησιμοποιείτε εγκεκριμένα προστατευτικά ακοής που παρέχουν επαρκή μείωση θορύβου. Η μακροχρόνια έκθεση στο θόρυβο μπορεί να προκαλέσει μόνιμη βλάβη στην ακοή.
- Χρησιμοποιήστε εγκεκριμένη προστασία των ματιών. Εάν χρησιμοποιείτε προστατευτικό γέισο, πρέπει επίσης να χρησιμοποιείτε πάντα εγκεκριμένα προστατευτικά γυαλιά. Τα εγκεκριμένα προστατευτικά γυαλιά πρέπει να συμμορφώνονται με

το πρότυπο ANSI Z87.1 στις Η.Π.Α. ή το πρότυπο EN 166 στις χώρες της Ε.Ε.



- Όταν χρειάζεται, να χρησιμοποιείτε γάντια, για παράδειγμα κατά την τοποθέτηση, την επιθεώρηση ή τον καθαρισμό του εξοπλισμού κοπής.



- Να χρησιμοποιείτε ανθεκτικές, αντιολισθητικές μπότες ή παπούτσια.



- Να φοράτε ρούχα από ανθεκτικό ύφασμα. Να φοράτε πάντα ανθεκτικό μακρύ παντελόνι και μακριά μανίκια. Να μην φοράτε φαρδιά ρούχα που μπορεί να πιαστούν σε κλωνάρια και κλαδιά. Να μην φοράτε κοσμήματα, κοντά παντελόνια, σανδάλια και να μην είστε ξυπόλυτοι. Να δένετε τα μαλλιά σας με ασφάλεια πάνω από το ύψος των ώμων.
- Να φροντίζετε να υπάρχει εξοπλισμός πρώτων βοηθειών σε κοντινή απόσταση.



## Συσκευές ασφαλείας στο προϊόν



**ΠΡΟΕΙΔΟΠΟΙΗΣΗ:** Προτού χρησιμοποιήσετε το προϊόν, διαβάστε τις παρακάτω προειδοποιητικές οδηγίες.

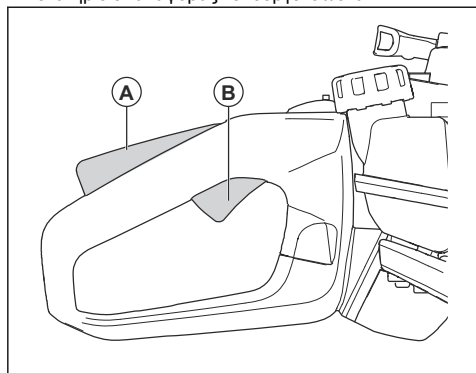
- Μην χρησιμοποιείτε ποτέ το προϊόν, αν υπάρχουν ελαττωματικές συσκευές ασφαλείας.



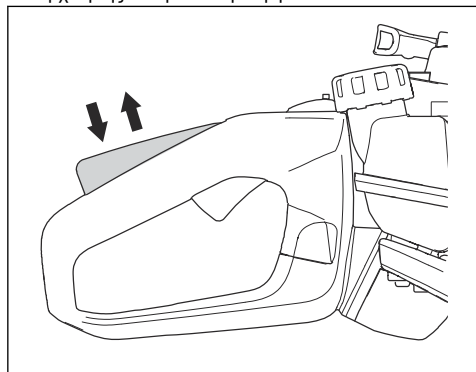
- Πρέπει να κάνετε τακτικά έλεγχο των συσκευών ασφαλείας. Αν οι συσκευές ασφαλείας είναι ελαττωματικές, απευθυνθείτε στον αντιπρόσωπο σέρβις της Husqvarna.

### Για τον έλεγχο της ασφάλειας σκανδάλης γκαζιού

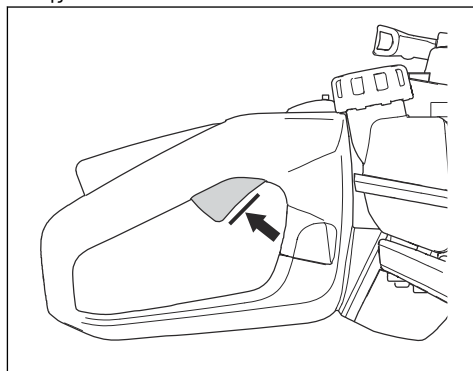
1. Βεβαιωθείτε ότι η ασφάλεια σκανδάλης γκαζιού (A) και η σκανδάλη γκαζιού (B) κινούνται ελεύθερα και το ελατήριο επαναφοράς λειτουργεί σωστά.



2. Πιέστε προς τα κάτω την ασφάλεια της σκανδάλης του γκαζιού και βεβαιωθείτε ότι επιστρέφει στην αρχική της θέση όταν την αφήνετε.



3. Βεβαιωθείτε ότι η σκανδάλη γκαζιού κλειδώνει στη θέση του ρελαντί όταν απελευθερώνεται η ασφάλειά της.



4. Εκκινήστε το προϊόν και ανοίξτε τέρμα το γκάτσι.
5. Απελευθερώστε τη σκανδάλη γκαζιού και βεβαιωθείτε ότι οι λεπίδες σταματούν και παραμένουν ακίνητες.



**ΠΡΟΕΙΔΟΠΟΙΗΣΗ:** Εάν οι λεπίδες κινούνται όταν η σκανδάλη γκαζιού βρίσκεται στη θέση ρελαντί, πρέπει να ρυθμιστούν οι στροφές ανά λεπτό ρελαντί του καρμπυρατέρ. Ανατρέξτε στην ενότητα *Για να ρυθμίσετε τις στροφές ανά λεπτό ρελαντί στη σελίδα 87.*

### Έλεγχος του διακόπτη τερματισμού λειτουργίας

1. Εκκινήστε τον κινητήρα.
2. Τοποθετήστε το διακόπτη διακοπής λειτουργίας στη θέση STOP και βεβαιωθείτε ότι ο κινητήρας σταματά.



**ΠΡΟΕΙΔΟΠΟΙΗΣΗ:** Ο διακόπτης διακοπής λειτουργίας επιστρέφει αυτόματα στη θέση εκκίνησης. Για να αποφευχθεί τυχόν ακούσια εκκίνηση, αφαιρέστε το καπάκι του μπουζι από το μπουζι κατά τη συναρμολόγηση ή κάντε συντήρηση στο προϊόν.

### Έλεγχος του προστατευτικού χεριού

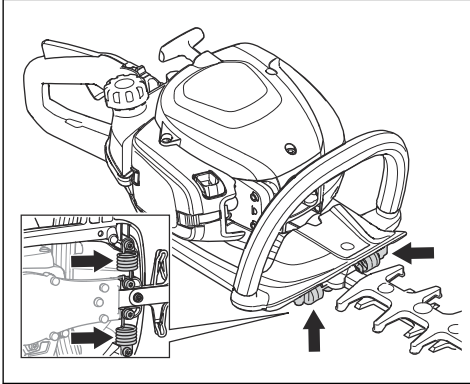
Το προστατευτικό χεριού αποτρέπει τους τραυματισμούς από τις λεπίδες.

1. Σβήστε τον κινητήρα.
2. Βεβαιωθείτε ότι το προστατευτικό χεριού είναι σωστά συνδεδεμένο.
3. Ελέγξτε το προστατευτικό χεριού για ζημιές.

## Για τον έλεγχο του συστήματος απόσβεσης κραδασμών

Το σύστημα απόσβεσης κραδασμών μειώνει τους κραδασμούς στις λαβές. Οι μονάδες απόσβεσης κραδασμών λειτουργούν ως διαχωριστικό ανάμεσα στο κυρίως σώμα του προϊόντος και τη μονάδα της λαβής.

1. Πραγματοποιήστε έναν οπτικό έλεγχο για παραμόρφωση και ζημιά.
2. Βεβαιωθείτε ότι οι μονάδες απόσβεσης κραδασμών έχουν συνδεθεί σωστά.



## Έλεγχος της εξάτμισης (σιγαστήρας)



**ΠΡΟΕΙΔΟΠΟΙΗΣΗ:** Μην χρησιμοποιείτε ποτέ το προϊόν χωρίς εξάτμιση (σιγαστήρα) ή όταν υπάρχει βλάβη στην εξάτμιση (σιγαστήρας). Αν η εξάτμιση (σιγαστήρας) παρουσιάζει βλάβη, αυξάνεται το επίπεδο θορύβου και ο κίνδυνος φωτιάς. Μην χρησιμοποιείτε το προϊόν εάν η σίτα συγκράτησης των σπινθήρων λείπει ή έχει σπάσει. Αν η σίτα συγκράτησης των σπινθήρων έχει υποστεί ζημιά, πρέπει να αντικατασταθεί.



**ΠΡΟΕΙΔΟΠΟΙΗΣΗ:** Οι εξατμίσεις (σιγαστήρες) θερμαίνονται πολύ κατά τη διάρκεια και μετά τη λειτουργία, αλλά και σε στροφές ανά λεπτό ρελαντί.



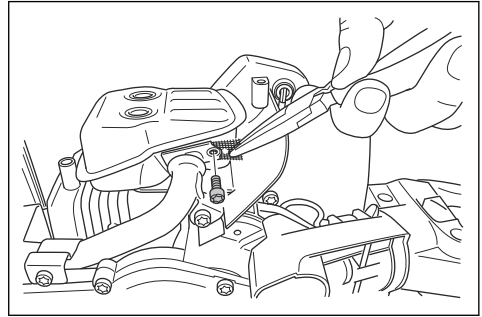
**ΠΡΟΣΟΧΗ:** Αν η σίτα συγκράτησης των σπινθήρων φράζει συχνά, αυτό μπορεί να αποτελεί ένδειξη ότι η απόδοση του καταλυτικού μετατροπέα έχει μειωθεί. Απευθυνθείτε στον αντιπρόσωπο σέρβις για τον έλεγχο της εξάτμισης (σιγαστήρα). Εάν η σίτα συγκράτησης των σπινθήρων είναι φραγμένη, μπορεί να προκληθεί υπερθέρμανση και να υποστεί ζημιά ο κύλινδρος και το έμβολο.



**ΠΡΟΕΙΔΟΠΟΙΗΣΗ:** Οι εσωτερικές επιφάνειες της εξάτμισης (σιγαστήρα) περιέχουν χημικά που μπορούν να προκαλέσουν καρκίνο. Προσέξτε να μην αγγίξετε αυτά τα στοιχεία, αν η εξάτμιση (σιγαστήρας) έχει υποστεί ζημιά.

Η εξάτμιση (σιγαστήρας) διατηρεί τα επίπεδα θορύβου στο ελάχιστο και κατευθύνει τις αναθυμιάσεις της εξάτμισης μακριά από τον χειριστή. Ο καταλυτικός μετατροπέας της εξάτμισης μειώνει τα επιβλαβή καυσαέρια της εξάτμισης.

1. Σβήστε τον κινητήρα.
2. Ελέγξτε οπτικά εάν υπάρχει τυχόν ζημιά ή παραμόρφωση.
3. Βεβαιωθείτε ότι η εξάτμιση (σιγαστήρας) έχει στερεωθεί σωστά στο προϊόν.
4. Καθαρίστε τη σίτα συγκράτησης των σπινθήρων με μια μεταλλική βούρτσα.



## Έλεγχος των λεπίδων και του προφυλακτήρα λεπίδας

Το εξωτερικό τμήμα των λεπίδων λειτουργεί ως προφυλακτήρας για τις λεπίδες. Ο προφυλακτήρας λεπίδας αποτρέπει τραυματισμούς λόγω κοψίματος.

1. Σβήστε τον κινητήρα και βεβαιωθείτε ότι οι λεπίδες έχουν σταματήσει.
2. Αφαιρέστε το καπάκι του μπουζι από το μπουζι.
3. Φορέστε προστατευτικά γάντια.
4. Βεβαιωθείτε ότι η λεπίδα και ο προφυλακτήρας λεπίδας δεν έχουν υποστεί ζημιά και δεν έχουν λυγίσει. Να αντικαθιστάτε πάντα μια κατεστραμμένη ή λυγισμένη λεπίδα, ή έναν κατεστραμμένο προφυλακτήρα λεπίδας.
5. Βεβαιωθείτε ότι οι βίδες που συγκρατούν τις λεπίδες και τον προφυλακτήρα λεπίδας είναι σφιγμένες.

## Ασφάλεια καυσίμου



**ΠΡΟΕΙΔΟΠΟΙΗΣΗ:** Πρωτού χρησιμοποιήσετε το προϊόν, διαβάστε τις παρακάτω προειδοποιητικές οδηγίες.

- Μην θέτετε το προϊόν σε λειτουργία, εάν υπάρχει καύσιμο ή λάδι κινητήρα στο προϊόν. Αφαιρέστε το ανεπιθύμητο καύσιμο/λάδι και αφήστε το προϊόν να στεγνώσει.
- Εάν χύσετε καύσιμο στα ρούχα σας, αλλάξτε τα αμέσως.
- Μην χύσετε καύσιμο στο σώμα σας, καθώς μπορεί να προκληθεί τραυματισμός. Αν χύσετε καύσιμο στο σώμα σας, χρησιμοποιήστε σαπούνι και νερό για να αφαιρέσετε το καύσιμο.
- Μην θέσετε το προϊόν σε λειτουργία, εάν ο κινητήρας έχει διαρροή. Εξετάζετε τακτικά τον κινητήρα για διαρροές.
- Να είστε προσεκτικοί με το καύσιμο. Το καύσιμο είναι εύφλεκτο και οι αναθυμιάσεις είναι εκρηκτικές και μπορούν να προκαλέσουν τραυματισμό ή θάνατο.
- Μην εισπνεύσετε τις αναθυμιάσεις καυσίμου, καθώς μπορεί να προκληθεί τραυματισμός. Βεβαιωθείτε ότι υπάρχει επαρκής ροή αέρα.
- Μην καπνίζετε κοντά στο καύσιμο ή τον κινητήρα.
- Μην τοποθετείτε ζεστά αντικείμενα κοντά στο καύσιμο ή τον κινητήρα.
- Μην προσθέτετε καύσιμο όταν λειτουργεί ο κινητήρας.
- Βεβαιωθείτε ότι ο κινητήρας έχει κρυώσει πριν από τον ανεφοδιασμό.
- Πριν από τον ανεφοδιασμό, ανοίξτε αργά την τάπα του νεποτόζιτου καυσίμου και εκτονώστε προσεκτικά την πίεση.
- Μην προσθέτετε καύσιμο στον κινητήρα σε εσωτερικό χώρο. Η ανεπαρκής ροή αέρα μπορεί να προκαλέσει τραυματισμό ή θάνατο λόγω ασφυξίας ή μονοξειδίου του άνθρακα.
- Να σφίγγετε πλήρως την τάπα του νεποτόζιτου καυσίμου. Αν η τάπα του νεποτόζιτου καυσίμου δεν είναι σφισμένη, υπάρχει κίνδυνος πυρκαγιάς.
- Πριν από την εκκίνηση, μετακινήστε το προϊόν σε απόσταση τουλάχιστον 3 m /10 ft από το σημείο όπου γεμίσατε το νεποτόζιτο.
- Μην γεμίζετε ποτέ εντελώς το νεποτόζιτο καυσίμου. Η υψηλή θερμοκρασία προκαλεί διαστολή του

καυσίμου. Αφήνετε κενό στο επάνω μέρος του νεποτόζιτου.

## Οδηγίες ασφαλείας για τη συντήρηση



**ΠΡΟΕΙΔΟΠΟΙΗΣΗ:** Προτού χρησιμοποιήσετε το προϊόν, διαβάστε τις παρακάτω προειδοποιητικές οδηγίες.

- Σβήστε τον κινητήρα και βεβαιωθείτε ότι ο εξοπλισμός κοπής σταματά. Προτού εκτελέσετε εργασίες συντήρησης, αφήστε το προϊόν να κρυώσει.
- Αποσυνδέστε το καπάκι μπουζι προτού εκτελέσετε τις εργασίες συντήρησης.
- Οι αναθυμιάσεις της εξάτμισης από τον κινητήρα περιέχουν μονοξείδιο του άνθρακα, ένα άοσμο, δηλητηριώδες και ιδιαίτερα επικίνδυνο αέριο που μπορεί να οδηγήσει σε θάνατο. Μην χρησιμοποιείτε το προϊόν σε εσωτερικούς ή κλειστούς χώρους.
- Οι αναθυμιάσεις της εξάτμισης από τον κινητήρα είναι καυτές και μπορεί να περιέχουν σπινθήρες. Μην θέτετε το προϊόν σε λειτουργία σε εσωτερικό χώρο ή κοντά σε εύφλεκτα υλικά.
- Τα αξεσουάρ και οι τροποποιήσεις στο προϊόν που δεν είναι εγκεκριμένες από τον κατασκευαστή, μπορεί να προκαλέσουν σοβαρό τραυματισμό ή θάνατο. Να μην πραγματοποιείτε αλλαγές στο προϊόν. Πρέπει πάντα να χρησιμοποιείτε γνήσια αξεσουάρ.
- Αν οι εργασίες συντήρησης δεν εκτελούνται σωστά και τακτικά, υπάρχει αυξημένος κίνδυνος τραυματισμού και ζημιάς στο προϊόν.
- Εκτελείτε τις εργασίες συντήρησης μόνο όπως συνιστάται στο παρόν εγχειρίδιο χρήσης. Όλες οι υπόλοιπες εργασίες πρέπει να εκτελούνται από έναν εγκεκριμένο αντιπρόσωπο σέρβρις της Husqvarna.
- Να αναθέτετε τη συντήρηση του προϊόντος σε έναν εγκεκριμένο αντιπρόσωπο σέρβρις Husqvarna σε τακτά χρονικά διαστήματα.
- Να αντικαθιστάτε τυχόν κατεστραμμένα, φθαρμένα ή σπασμένα εξαρτήματα.

## Λειτουργία

### Εισαγωγή



**ΠΡΟΕΙΔΟΠΟΙΗΣΗ:** Προτού χρησιμοποιήσετε το προϊόν, διαβάστε και κατανοήστε το κεφάλαιο για την ασφάλεια.

### Καύσιμο

Αυτό το προϊόν διαθέτει δίχρονο κινητήρα.



**ΠΡΟΣΟΧΗ:** Τα καύσιμα εσφαλμένου τύπου μπορεί να προκαλέσουν ζημιά στον

κινητήρα. Χρησιμοποιήστε μείγμα βενζίνης και λαδιού για δίχρονους κινητήρες.

### Προαναμεμιγμένο καύσιμο

- Για βέλτιστη απόδοση και παράταση της διάρκειας ζωής του κινητήρα, χρησιμοποιήστε προαναμεμιγμένο αλκυλιωμένο καύσιμο της Husqvarna. Αυτό το καύσιμο περιέχει λιγότερα επιβλαβή χημικά σε σύγκριση με τα κανονικά καύσιμα, με αποτέλεσμα να μειώνονται οι επιβλαβείς αναθυμιάσεις της εξάτμισης. Η ποσότητα των καταλοίπων της καύσης είναι χαμηλότερη με αυτό το καύσιμο, το οποίο προστατεύει τα εξαρτήματα του κινητήρα και τα διατηρεί πιο καθαρά.

## Ανάμιξη του καυσίμου

### Βενζίνη

- Χρησιμοποιήστε αμόλυβδη βενζίνη καλής ποιότητας με μέγιστο ποσοστό αιθανόλης 10%.



**ΠΡΟΣΟΧΗ:** Μην χρησιμοποιείτε βενζίνη με αριθμό οκτανίων κάτω από 90 RON/87 AKI. Η χρήση βενζίνης χαμηλότερου αριθμού οκτανίων μπορεί να προκαλέσει κύττο ("πειράκια") και ζημιά στον κινητήρα.

### Λάδι για δίχρονους κινητήρες

- Για καλύτερα αποτελέσματα και υψηλότερη απόδοση, χρησιμοποιήστε λάδι Husqvarna για δίχρονους κινητήρες.
- Εάν το λάδι για δίχρονους κινητήρες της Husqvarna δεν είναι διαθέσιμο, χρησιμοποιήστε διαφορετικό λάδι καλής ποιότητας για αερόψυκτους κινητήρες. Για την επιλογή του σωστού λαδιού, απευθυνθείτε στον αντιπρόσωπο σέρβις.



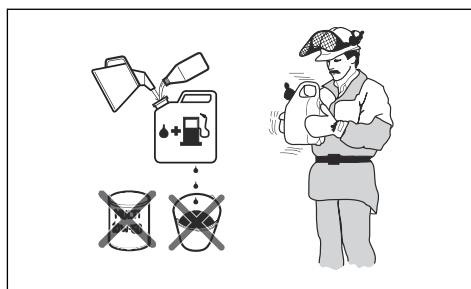
**ΠΡΟΣΟΧΗ:** Μην χρησιμοποιείτε λάδι για δίχρονους υδρόψυκτους εξωλέμβιους κινητήρες, το οποίο αναφέρεται επίσης ως λάδι για εξωλέμβιες. Μην χρησιμοποιείτε λάδι για τετράχρονους κινητήρες.

### Για να αναμίξετε βενζίνη και λάδι για δίχρονους κινητήρες

Βενζίνη, λίτρα	Λάδι για δίχρονους κινητήρες, λίτρα
	<b>2% (50:1)</b>
5	0,10
10	0,20
15	0,30
20	0,40



**ΠΡΟΣΟΧΗ:** Μικρά λάθη μπορεί να επηρεάσουν δραστικά την αναλογία του μείγματος κατά τη ανάμιξη μικρών ποσοτήτων καυσίμου. Μετρήστε προσεκτικά την ποσότητα του λαδιού και βεβαιωθείτε ότι το μείγμα που προκύπτει είναι σωστό.



- Ρίξτε σε ένα καθαρό δοχείο για καύσιμα τη μισή ποσότητα της βενζίνης.
- Προσθέστε ολόκληρη την ποσότητα λαδιού.
- Ανακινήστε το μίγμα καυσίμου.
- Προσθέστε στο δοχείο την υπόλοιπη ποσότητα της βενζίνης.
- Ανακινήστε προσεκτικά το μείγμα καυσίμου.



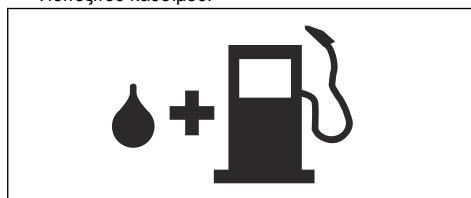
**ΠΡΟΣΟΧΗ:** Μην αναμιγνύετε καύσιμα για περισσότερο από 1 μήνα κάθε φορά.

### Γέμισμα ντεπόζιτου καυσίμου



**ΠΡΟΕΙΔΟΠΟΙΗΣΗ:** Ακολουθήστε την παρακάτω διαδικασία για την ασφάλειά σας.

- Σταματήστε τον κινητήρα και αφήστε τον να κρυώσει.
- Καθαρίστε την περιοχή γύρω από την τάπα του ντεπόζιτου καυσίμου.



- Ανακινήστε το δοχείο και βεβαιωθείτε ότι το καύσιμο έχει αναμειχθεί πλήρως.
- Αφαιρέστε αργά την τάπα του ντεπόζιτου καυσίμου για να εκτονώσετε την πίεση.
- Γεμίστε το ντεπόζιτο καυσίμου.



**ΠΡΟΣΟΧΗ:** Βεβαιωθείτε ότι δεν υπάρχει υπερβολικό καύσιμο στο ντεπόζιτο καυσίμου. Το καύσιμο διογκώνεται όταν ζεσταίνεται.

- Σφίξτε προσεκτικά την τάπα του ντεπόζιτου καυσίμου.
- Καθαρίζετε το καύσιμο που έχει χυθεί επάνω και γύρω από το προϊόν.

8. Πρωτοῦ ξεκινήσετε, απομακρύνετε το προϊόν τουλάχιστον κατά 3 m/10 ft από το σημείο ανεφοδιασμού και την πηγή καυσίμου πρωτοῦ θέσετε σε λειτουργία τον κινητήρα.

**Περιεχόμενα** Για να δείτε πού βρίσκεται το ντεπόζιτο καυσίμου στο προϊόν σας, ανατρέξτε στην ενότητα *Επισκόπηση προϊόντος στη σελίδα 77*.

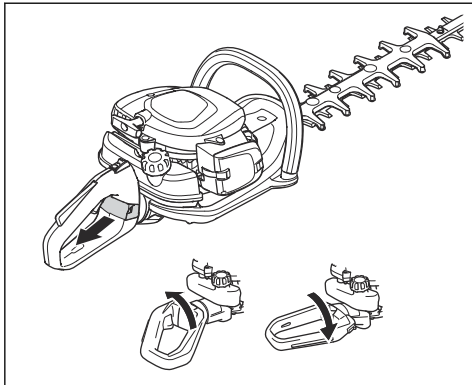
## Εγκατάσταση του προστατευτικό άκρου της λεπίδας

1. Αφαιρέστε το παξιμάδι και τη βίδα στο άκρο της λεπίδας.
2. Τοποθετήστε το προστατευτικό στο άκρο της λεπίδας.
3. Τοποθετήστε τη βίδα και σφίξτε την με 7 Nm.
4. Τοποθετήστε το παξιμάδι και σφίξτε το με 5 Nm.

## Ρύθμιση της λαβής

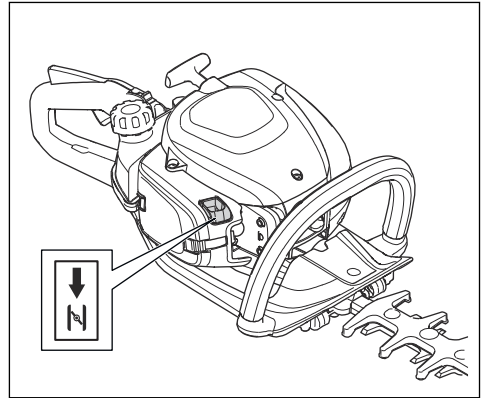
Η οπίσθια χειρολαβή μπορεί να ρυθμιστεί σε 3 θέσεις.

- Απελευθερώστε την ασφάλεια της λαβής και γυρίστε τη λαβή.



## Για να ξεκινήσετε το προϊόν με κρύο κινητήρα

1. Τραβήξτε το χειριστήριο τσοκ στη θέση τσοκ.



2. Πιέστε τη φούσκα πλήρωσης της χειροκίνητης αντλίας καυσίμου (πουάρ) περίπου 6 φορές ή μέχρι η φούσκα πλήρωσης να αρχίσει να γεμίζει με καύσιμο. Δεν χρειάζεται να γεμίσετε πλήρως τη φούσκα της χειροκίνητης αντλίας καυσίμου (πουάρ).
3. Κρατήστε το σώμα του προϊόντος στο έδαφος με το αριστερό σας χέρι. Μην πατάτε επάνω στο προϊόν.
4. Τραβήξτε αργά τη λαβή του σχοινιού εκκίνησης με το δεξί σας χέρι μέχρι να αισθανθείτε αντίσταση και κατόπιν τραβήξτε τη λαβή του σχοινιού εκκίνησης γρήγορα και δυνατά.



**ΠΡΟΕΙΔΟΠΟΙΗΣΗ:** Μην τυλίγετε το κορδόνι του συστήματος εκκίνησης γύρω από το χέρι σας.



**ΠΡΟΣΟΧΗ:** Μην τραβήξετε το σχοινί εκκίνησης μέχρι τέρμα και μην αφήσετε τη λαβή του συστήματος εκκίνησης.

5. Συνεχίστε να τραβάτε τη λαβή του σχοινιού εκκίνησης μέχρι ο κινητήρας να τεθεί σε λειτουργία και, κατόπιν, τοποθετήστε το χειριστήριο τσοκ στην αρχική του θέση.



**ΠΡΟΕΙΔΟΠΟΙΗΣΗ:** Οι λεπίδες κινούνται όταν τίθεται σε λειτουργία ο κινητήρας.

6. Συνεχίστε να τραβάτε τη λαβή του κορδονιού του συστήματος εκκίνησης μέχρι να ξεκινήσει ο κινητήρας.
7. Πιέστε και απελευθερώστε τη σκανδάλη γκαζιού για να θέσετε τον κινητήρα σε στροφές ανά λεπτό ρελαντί.

8. Πιέστε τη σκανδάλη γκαζιού σταδιακά, για να αυξήσετε τις στροφές ανά λεπτό (σ.α.λ) του κινητήρα.
9. Βεβαιωθείτε ότι ο κινητήρας λειτουργεί ομαλά.

## Για να ξεκινήσετε το προϊόν με ζεστό κινητήρα

1. Κρατήστε το σώμα του προϊόντος στο έδαφος με το αριστερό σας χέρι. Μην πατάτε επάνω στο προϊόν.
2. Τραβήξτε αργά τη λαβή του σχοινού εκκίνησης με το δεξί σας χέρι μέχρι να αισθανθείτε αντίσταση και κατόπιν τραβήξτε τη λαβή του σχοινού εκκίνησης γρήγορα και δυνατά. Συνεχίστε μέχρι ο κινητήρας να τεθεί σε λειτουργία.

**Περιεχόμενα** Για περισσότερες πληροφορίες σχετικά με τον τρόπο εκκίνησης του προϊόντος, ανατρέξτε στην ενότητα *Για να ξεκινήσετε το προϊόν με κρύο κινητήρα στη σελίδα 85.*

## Απενεργοποίηση προϊόντος

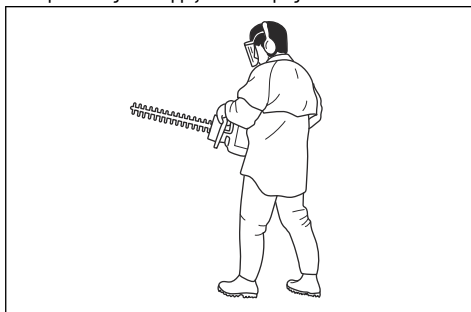
- Για να σβήσετε τον κινητήρα, μετακινήστε το διακόπτη διακοπής λειτουργίας στη θέση "Stop".



**ΠΡΟΣΟΧΗ:** Ο διακόπτης διακοπής λειτουργίας επιστρέφει αυτόματα στη θέση λειτουργίας.

## Λειτουργία του προϊόντος

1. Ξεκινήστε κοντά στο έδαφος και μετακινήστε το προϊόν προς τα πάνω κατά μήκος της μπροντούρας όταν κόβετε τις πλευρές. Βεβαιωθείτε ότι το σώμα του προϊόντος δεν αγγίζει το έδαφος.



**ΠΡΟΕΙΔΟΠΟΙΗΣΗ:** Βεβαιωθείτε ότι το μπροστινό μέρος του εξοπλισμού κοπής δεν αγγίζει το έδαφος.

2. Προσαρμόστε την ταχύτητα σύμφωνα με το φορτίο εργασίας.
3. Κρατήστε το προϊόν κοντά στο σώμα σας για να επιτύχετε σταθερή θέση εργασίας.
4. Να είστε προσεκτικοί και να χρησιμοποιείτε το προϊόν προσεκτικά.

## Συντήρηση

### Εισαγωγή

διαβάστε και κατανοήστε το κεφάλαιο για την ασφάλεια.



**ΠΡΟΕΙΔΟΠΟΙΗΣΗ:** Προτού εκτελέσετε εργασίες συντήρησης στο προϊόν,

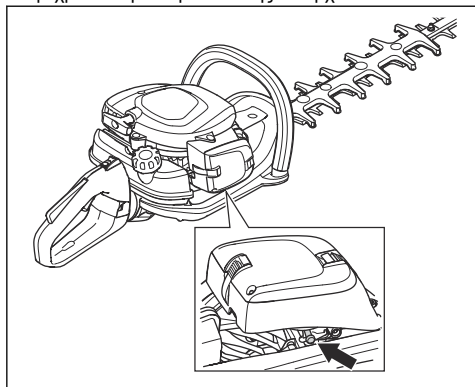
### Πρόγραμμα συντήρησης

Συντήρηση	Πριν από τη λειτουργία	Μετά από 40 ώρες	Μετά από 100 ώρες
Καθαρίστε την εξωτερική επιφάνεια.	Μετά από κάθε χρήση.		
Απομακρύνετε από την εξάτμιση (σιγαστήρα), το σωλήνα εξάτμισης και τον κινητήρα τυχόν φύλλα, ακαθαρσίες και ανεπιθύμητο λιπαντικό.	Μετά από κάθε χρήση.		
Βεβαιωθείτε ότι το παρελκόμενο κοπής δεν κινείται όταν το μηχάνημα λειτουργεί σε στροφές ανά λεπτό ρελαντί.	X		
Ελέγξτε τον διακόπτη τερματισμού λειτουργίας.	X		
Ελέγξτε το παρελκόμενο κοπής και τον προφυλακτήρα του παρελκόμενου κοπής για ζημιές και ρωγμές. Αν υπάρχει ζημιά, αντικαταστήστε τα.	X		
Ελέγξτε το προστατευτικό χεριού για ζημιές και ρωγμές. Αν υπάρχει ζημιά, αντικαταστήστε το.	X		

Συντήρηση	Πριν από τη Λειτουργία	Μετά από 40 ώρες	Μετά από 100 ώρες
Ελέγξτε την ασφάλεια της σκανδάλης γκαζιού και τη σκανδάλη.	X		
Εξετάστε τον κινητήρα, το ντεπόζιτο καυσίμου και τις γραμμές καυσίμου για διαρροές.	X		
Σφίξτε τα παξιμάδια και τις βίδες.	X		
Ελέγξτε το φίλτρο καυσίμου για ρύπους και το σωλήνα καυσίμου για ρωγμές και άλλα ελαττώματα. Αντικαταστήστε, αν χρειάζεται.	X		
Εξετάστε τη μίζα και το κορδόνι της μίζας για ζημιές.		X	
Καθαρίστε το φίλτρο αέρα. Αν χρειάζεται, αντικαταστήστε το.		X	
Ελέγξτε τις μονάδες απόσβεσης κραδασμών για ζημιές και ρωγμές.		X	
Ελέγξτε το μπουζί, βλ. <i>Για να εξετάσετε το μπουζί στη σελίδα 88.</i>		X	
Καθαρίστε το σύστημα ψύξης.		X	
Καθαρίστε την εξωτερική επιφάνεια του καρμπυρατέρ και το χώρο γύρω από αυτό.		X	
Καθαρίστε ή αντικαταστήστε τη σίτα συγκράτησης των σπινθήρων.			X
Καθαρίστε την εσωτερική επιφάνεια του ντεπόζιτου καυσίμου.			X
Εξετάστε το μπουζί.			X
Βεβαιωθείτε ότι το περιβλήμα γραναζιών είναι γεμάτο με γράσο.			X

## Για να ρυθμίσετε τις στροφές ανά λεπτό ρελαντί

1. Καθαρίστε το φίλτρο αέρα και τοποθετήστε το κάλυμμα του φίλτρου αέρα.
2. Θέστε προϊόν σε λειτουργία, βλ. *Για να ξεκινήσετε το προϊόν με κρύο κινητήρα στη σελίδα 85.*
3. Γυρίστε τη βίδα ρύθμισης T ρελαντί δεξιόστροφα μέχρι το παρελκόμενο κοπής να αρχίσει να κινείται.



4. Γυρίστε τη βίδα ρύθμισης ρελαντί προς τα αριστερά μέχρι το παρελκόμενο κοπής να σταματήσει.



**ΠΡΟΕΙΔΟΠΟΙΗΣΗ:** Αν το παρελκόμενο κοπής δεν σταματά κατά τη ρύθμιση των στροφών ανά λεπτό ρελαντί, απευθυνθείτε στον πλησιέστερο αντιπρόσωπο σέρβις. Μην χρησιμοποιείτε το προϊόν μέχρι να ρυθμιστεί σωστά ή να επισκευαστεί.

**Περιεχόμενα** Οι στροφές ανά λεπτό ρελαντί είναι σωστές όταν ο κινητήρας λειτουργεί ομαλά σε όλες τις θέσεις. Ανατρέξτε στην ενότητα *Τεχνικά στοιχεία στη σελίδα 90* για τις συνιστώμενες στροφές ανά λεπτό ρελαντί.

## Καθαρισμός του συστήματος ψύξης

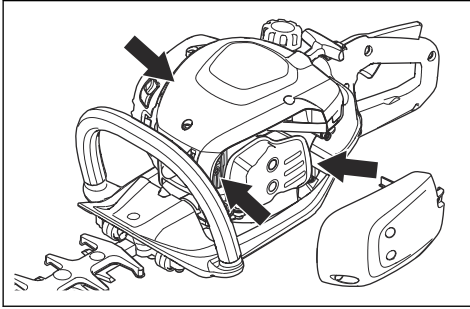
Το σύστημα ψύξης διατηρεί χαμηλή τη θερμοκρασία του κινητήρα. Το σύστημα ψύξης αποτελείται από τα πτερύγια φερωτής (ανεμιστήρα) ψύξης στον κύλινδρο και το περίβλημα συστήματος εκκίνησης.



**ΠΡΟΣΟΧΗ:** Η εισαγωγή αέρα μεταξύ του ντεπόζιτου καυσίμου και του στροφαλοθαλάμου φράσσεται εύκολα από φύλλα. Καθαρίστε καλά την εισαγωγή αέρα.

1. Εκτελείτε καθαρισμό του συστήματος ψύξης με βούρτσα κάθε εβδομάδα ή πιο συχνά, εάν χρειάζεται.

2. Βεβαιωθείτε ότι το σύστημα ψύξης δεν είναι βρώμικο ή φραγμένο.

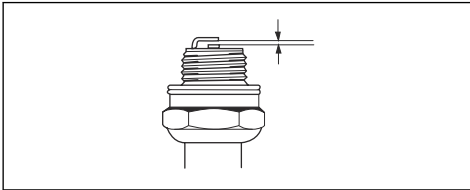


## Για να εξετάσετε το μπουζί



**ΠΡΟΣΟΧΗ:** Χρησιμοποιείτε πάντα τον συνιστώμενο τύπο μπουζί. Η χρήση λάθος τύπου μπουζί μπορεί να προκαλέσει ζημιά στο προϊόν.

- Αν ο κινητήρας έχει χαμηλή ισχύ, δεν εκκινείται εύκολα ή δεν λειτουργεί σωστά στο ρελαντί, ελέγξτε το μπουζί.
- Για να μειώσετε τον κίνδυνο συσσώρευσης ανεπιθύμητων υλικών στα ηλεκτρόδια του μπουζί, ακολουθήστε τις παρακάτω οδηγίες:
  - a) Βεβαιωθείτε ότι οι στροφές ανά λεπτό ρελαντί έχουν ρυθμιστεί σωστά.
  - b) Βεβαιωθείτε ότι το μίγμα καυσίμου είναι σωστό.
  - c) Βεβαιωθείτε ότι το φίλτρο αέρα είναι καθαρό.
- Αν το μπουζί είναι βρώμικο, καθαρίστε το και βεβαιωθείτε ότι το διάκενο του ηλεκτροδίου είναι σωστό, ανατρέξτε στην ενότητα *Τεχνικά στοιχεία στη σελίδα 90*.



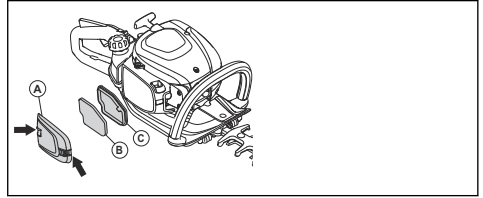
- Αν χρειάζεται, αντικαταστήστε το μπουζί.

## Καθαρισμός του φίλτρου αέρα

Καθαρίζετε τακτικά το φίλτρο αέρα για να απομακρύνετε τη βρομιά και τη σκόνη. Με αυτόν τον τρόπο προλαμβάνονται δυσλειτουργίες του καρμπυρατέρ, προβλήματα εκκίνησης, απώλειες ισχύος του κινητήρα, φθορά στα εξαρτήματα του κινητήρα και μεγαλύτερη κατανάλωση καυσίμου από ό,τι συνήθως.

1. Αφαιρέστε το κάλυμμα του φίλτρου αέρα (A).

2. Αφαιρέστε το φίλτρο τύπου αφρού (B) και το φίλτρο τύπου κετσέ (C) από το πλαίσιο φίλτρου.



3. Αντικαταστήστε το φίλτρο τύπου κετσέ (C).
4. Καθαρίστε το φίλτρο τύπου αφρού (A) με ζεστό σαπουνόνερο.

**Περιεχόμενα** Αν το φίλτρο αέρα έχει χρησιμοποιηθεί για μεγάλο χρονικό διάστημα, δεν καθαρίζει πλήρως. Αντικαθιστάτε το φίλτρο αέρα τακτικά. Πρέπει πάντα να αντικαθιστάτε ένα ελαττωματικό φίλτρο αέρα.

5. Βεβαιωθείτε ότι το φίλτρο τύπου αφρού (B) είναι στεγνό.
6. Εφαρμόστε λάδι φίλτρου αέρα στο φίλτρο τύπου αφρού (B). Ανατρέξτε στην ενότητα *Εφαρμογή λαδιού στο φίλτρο αέρα στη σελίδα 88*
7. Καθαρίστε την εσωτερική επιφάνεια του καλύμματος φίλτρου αέρα (A). Χρησιμοποιήστε πεπιεσμένο αέρα ή βούρτσα.

## Εφαρμογή λαδιού στο φίλτρο αέρα

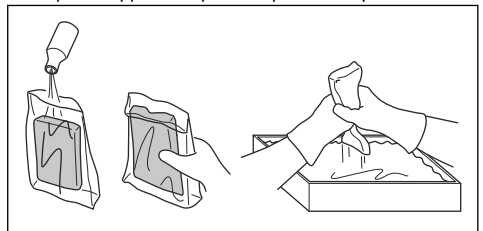


**ΠΡΟΣΟΧΗ:** Χρησιμοποιείτε πάντα ειδικό λάδι φίλτρου αέρα Husqvarna. Μην χρησιμοποιείτε άλλους τύπους λαδιού.



**ΠΡΟΕΙΔΟΠΟΙΗΣΗ:** Φορέστε προστατευτικά γάντια. Το λάδι του φίλτρου αέρα μπορεί να προκαλέσει ερεθισμό στο δέρμα.

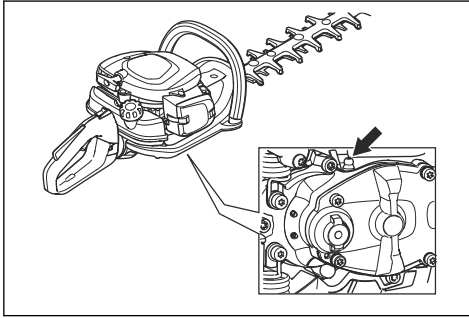
1. Τοποθετήστε το φίλτρο αέρα σε μια πλαστική σακούλα.
2. Ρίξτε το λάδι στην πλαστική σακούλα.
3. Τρίψτε την πλαστική σακούλα για να κατανεμηθεί το λάδι ομοιόμορφα στο φίλτρο αέρα.
4. Απομακρύνετε το ανεπιθύμητο λάδι από το φίλτρο αέρα ενώ βρίσκεται μέσα στην πλαστική σακούλα.





## Λίπανση του περιβλήματος γραναζιών

- Χρησιμοποιήστε ειδικό γράσο Husqvarna. Απευθυνθείτε στον αντιπρόσωπο σέρβις για περισσότερες πληροφορίες σχετικά με το συνιστώμενο γράσο.
- Προσθέστε το γράσο μέσω του γρασαδούρου.



**ΠΡΟΣΟΧΗ:** Μην γεμίζετε εντελώς το περιβλήμα γραναζιών.

## Καθαρισμός και λίπανση των λεπίδων

- Απομακρύνετε από τις λεπίδες τυχόν ανεπιθύμητα υλικά πριν από και μετά τη χρήση του προϊόντος.
- Λιπαίνετε τις λεπίδες πριν από μεγάλα χρονικά διαστήματα αποθήκευσης.

**Περιεχόμενα** Απευθυνθείτε στον αντιπρόσωπο σέρβις της περιοχής σας για περισσότερες πληροφορίες σχετικά με τα συνιστώμενα καθαριστικά και λιπαντικά.

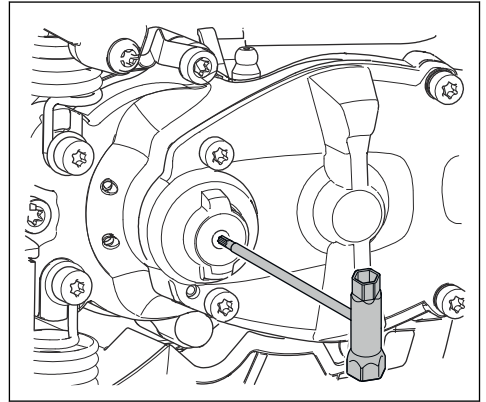
## Μεταφορά, αποθήκευση και απόρριψη

### Μεταφορά και αποθήκευση

- Αφήνετε πάντα το προϊόν να κρυώσει πριν το αποθηκεύσετε.
- Για την αποθήκευση και τη μεταφορά του προϊόντος και του καυσίμου, βεβαιωθείτε ότι δεν υπάρχουν διαρροές ή αναθυμιάσεις. Τυχόν σπινθήρες ή ακάλυπτες φλόγες, για παράδειγμα από ηλεκτρικές συσκευές ή λέβητες, μπορεί να προκαλέσουν πυρκαγιά.
- Να χρησιμοποιείτε πάντα εγκεκριμένα δοχεία για την αποθήκευση και τη μεταφορά των καυσίμων.

## Έλεγχος των λεπίδων

- Αφαιρέστε το καπάκι στο περίβλημα γραναζιών.
- Βεβαιωθείτε ότι οι λεπίδες κινούνται ανεμπόδιστα. Τοποθετήστε το γερμανοπολύγωνο κλειδί μέσα στο περίβλημα γραναζιών και γυρίστε το δεξιόστροφα και αριστερόστροφα.



- Ελέγξτε τα άκρα των λεπίδων για ζημιές και παραμόρφωση.
- Χρησιμοποιήστε μια λίμα για να απομακρύνετε τα ριγίσματα από τις λεπίδες.

- Αδειάζετε το καύσιμο πριν από μεταφορά ή μακροχρόνια αποθήκευση. Απορρίψτε το καύσιμο σε κατάλληλη τοποθεσία απόρριψης.
- Προσαρτήστε το προστατευτικό μεταφοράς κατά τη μεταφορά και την αποθήκευση.
- Αφαιρέστε το καπάκι του μπουζί από το μπουζί.
- Να στερεώνετε το προϊόν κατά τη μεταφορά. Βεβαιωθείτε ότι δεν μπορεί να μετακινηθεί.
- Να καθαρίζετε και να κάνετε συντήρηση στο προϊόν πριν το αποθηκεύσετε για μεγάλο χρονικό διάστημα.

## Τεχνικά στοιχεία

### Τεχνικά στοιχεία

	522HD60X	522HDR60X	522HDR75X
<b>Κινητήρας</b>			
Κυβισμός κυλινδρού, cm <sup>3</sup>	21,7	21,7	21,7
Στροφές ανά λεπτό στο ρελαντί, σ.α.λ.	3000	3000	3000
Μέγ. συνιστώμενες στροφές, σ.α.λ	9200	9200	9200
Μέγιστη ισχύς κινητήρα κατά ISO 8893, kW/hr σε σ.α.λ.	0,6/0,8 στις 7800	0,6/0,8 στις 7800	0,6/0,8 στις 7800
Εξάτμιση (σιγαστήρας) καταλυτικού μετατροπέα	Ναι	Ναι	Ναι
<b>Σύστημα ανάφλεξης</b>			
Μπουζί	NGK CMR6A	NGK CMR6A	NGK CMR6A
Διάκενο ηλεκτροδίου, mm	0,5	0,5	0,5
<b>Καύσιμο</b>			
Χωρητικότητα νεπετόζιτου καυσίμου, l/cm <sup>3</sup>	0,45/450	0,45/450	0,45/450
<b>Βάρος</b>			
Χωρίς καύσιμο, kg	4,9	5,0	5,2
<b>Εκπομπές θορύβου <sup>16</sup></b>			
Στάθμη ηχητικής ισχύος, μετρούμενη τιμή σε dB (A)	101	101	101
Στάθμη ηχητικής ισχύος, εγγυημένη τιμή L <sub>WA</sub> σε dB (A)	102	102	102
<b>Στάθμες ήχου <sup>17</sup></b>			
Ισοδύναμη στάθμη ηχητικής πίεσης στα αυτιά του χειριστή, μετρημένη κατά EN ISO 10517, dB(A):	93	93	93
<b>Επίπεδα κραδασμών <sup>18</sup></b>			
Αντίστοιχα επίπεδα κραδασμών (a <sub>h<sub>v</sub>,eq</sub> ) στις λαβές, μετρημένα κατά EN ISO 10517, m/s <sup>2</sup> :			

<sup>16</sup> Οι εκπομπές θορύβου στο περιβάλλον, οι οποίες μετρούνται ως ηχητική ισχύς (L<sub>WA</sub>), σε συμμόρφωση με την Οδηγία 2000/14/ΕΚ. Η καταγεγραμμένη στάθμη ηχητικής ισχύος για το προϊόν έχει μετρηθεί με το αυθεντικό παρελκόμενο κοπής, που δίνει την υψηλότερη στάθμη. Η διαφορά μεταξύ της εγγυημένης και της μετρούμενης ηχητικής ισχύος είναι ότι η εγγυημένη ηχητική ισχύς περιλαμβάνει επίσης τη διασπορά στο αποτέλεσμα της μέτρησης και τις αποκλίσεις μεταξύ των διαφορετικών προϊόντων του ίδιου μοντέλου σύμφωνα με την Οδηγία 2000/14/ΕΚ.

<sup>17</sup> Τα καταγεγραμμένα στοιχεία για τη στάθμη πίεσης θορύβου έχουν τυπική στατιστική διασπορά (τυπική απόκλιση) 1 dB(A).

<sup>18</sup> Τα καταγεγραμμένα στοιχεία για τη στάθμη κραδασμών έχουν τυπική στατιστική διασπορά (τυπική απόκλιση) της τάξης του 1 m/s<sup>2</sup>.

	<b>522HD60X</b>	<b>522HDR60X</b>	<b>522HDR75X</b>
Εμπρός/πίσω, mm/s <sup>2</sup>	2,7/1,2	2,8/1,3	2,1/2,2
<b>Λεπίδες</b>			
Τύπος	Διπλής όψης	Διπλής όψης	Διπλής όψης
Μήκος κοπής, mm	600	600	750
Ταχύτητα κοπής, τομές/λεπτό	4400	3200	3200

## Δήλωση Συμμόρφωσης

### Δήλωση συμμόρφωσης ΕΕ

Εμείς, η **Husqvarna AB**, SE-561 82 Huskvarna, Σουηδία,  
τηλ.: +46-36-146500, δηλώνουμε με αποκλειστική μας  
ευθύνη ότι το προϊόν:

<b>Περιγραφή</b>	Μπορντουροψάλιδο
<b>Μάρκα</b>	Husqvarna
<b>Τύπος / Μοντέλο</b>	522HD60X, 522HDR60X, 522HDR75X
<b>Αναγνώριση</b>	Αριθμοί σειράς με ημερομηνία από το 2022 και έπειτα

συμμορφώνεται πλήρως με τις ακόλουθες οδηγίες και  
τους κανονισμούς της ΕΕ:

<b>Κανονισμός</b>	<b>Περιγραφή</b>
2006/42/EK	"σχετικά με τα μηχανήματα"
2014/30/EE	"σχετικά με την ηλεκτρομαγνητική συμβατότητα"
2000/14/EK	"σχετικά με τις εκπομπές θορύβου στο περιβάλλον"
2011/65/EE	"σχετικά με τον περιορισμό της χρήσης ορισμένων επικίνδυνων ουσιών σε είδη ηλεκτρικού και ηλεκτρονικού εξοπλισμού"

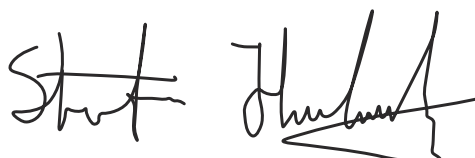
και ότι εφαρμόζονται τα παρακάτω πρότυπα ή/και  
τεχνικές προδιαγραφές: EN ISO 12100:2021, CISPR  
12: 2009, EN ISO 10517:2009/A1:2013, EN IEC  
63000:2018.

Η RISE SMP Svensk Maskinprovning AB, έχει  
διενεργήσει εθελοντικά εξέταση τύπου εκ μέρους της  
Husqvarna AB. Αριθμός πιστοποιητικού: SEC/18/2518.

Ο οργανισμός RISE SMP Svensk Maskinprovning  
AB έχει επαληθεύσει τη συμμόρφωση με την  
Οδηγία του Συμβουλίου 2000/14/EK της 8ης Μαΐου  
2000 "περί εκπομπών θορύβου στο περιβάλλον".  
Αριθμοί πιστοποιητικών: 01/094/026-522HD60X,  
01/094/027-522HDR60X, 522HDR75X.

Για πληροφορίες σχετικά με τις εκπομπές θορύβου,  
ανατρέξτε στην ενότητα *Τεχνικά στοιχεία στη σελίδα 90*.

Huskvarna, 2022-05-09



Stefan Holmberg, Διευθυντής Έρευνας και Ανάπτυξης,  
Διαχείριση τεχνολογίας, Husqvarna AB  
Υπεύθυνος για την τεχνική τεκμηρίωση

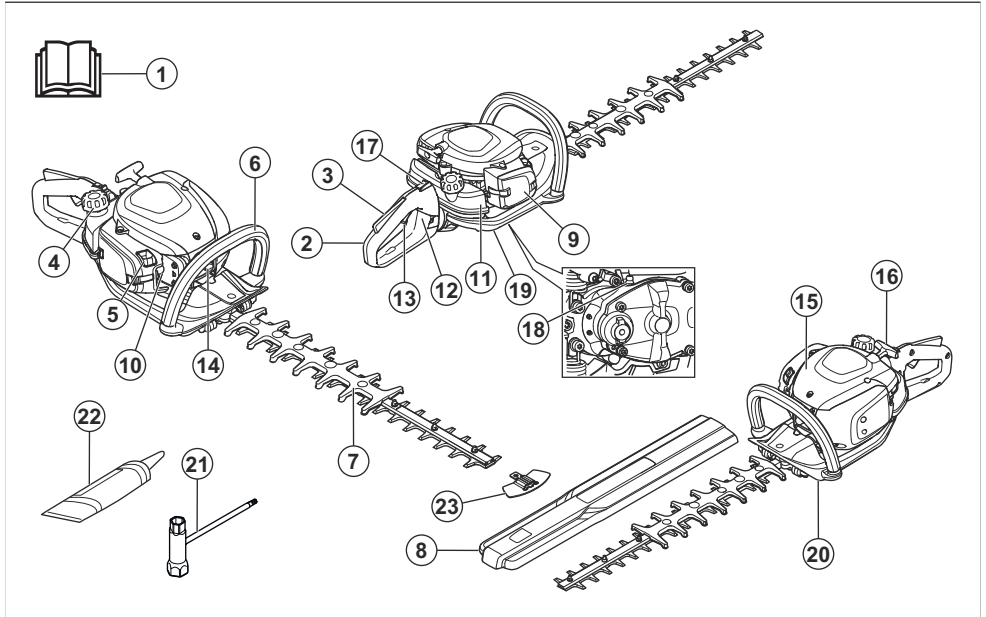


# Contenido

Introducción.....	93	Transporte, almacenamiento y eliminación.....	105
Seguridad.....	94	Datos técnicos.....	105
Funcionamiento.....	99	Declaración de conformidad.....	107
Mantenimiento.....	102		

# Introducción

## Descripción del producto



1. Manual de usuario
2. Mango trasero
3. Bloqueo del acelerador
4. Tapón del depósito de combustible
5. Control del estrangulador
6. Mango delantero
7. Cuchilla y protección de la cuchilla
8. Protección para transportes
9. Tapa del filtro de aire
10. Perilla de la bomba de combustible
11. Depósito de combustible
12. Bloqueo para el mango
13. Acelerador
14. Capuchón de encendido y bujía
15. Cubierta del cilindro
16. Empuñadura de la cuerda de arranque
17. Botón de parada
18. Boquilla de engrase
19. Carcasa de la caja de engrajes
20. Protección para la mano
21. Llave combinada
22. Tubo de grasa
23. Protector de la punta de la cuchilla

## Descripción del producto

El producto es un cortasetos con motor de combustión.

## Uso previsto

Utilice el producto para cortar ramas y ramitas. No utilice el producto para otras tareas.

## Símbolos que aparecen en el producto



Parar.



Tenga cuidado y utilice el producto correctamente. Este producto puede ocasionar lesiones graves o mortales tanto al operador como a cualquier otra persona.



Lea detenidamente el manual de usuario y asegúrese de que entiende las instrucciones antes de usar la máquina.



Utilice protectores auriculares homologados y protección ocular homologada.



Utilice guantes protectores homologados.



Utilice botas de trabajo antideslizantes.

T

Tornillo de ajuste del ralentí.

H

Aguja de régimen alto.

L

Aguja de régimen bajo.



Emisiones sonoras al medio ambiente conformes con la directiva europea 2000/14/CE y con la regulación de 2017 sobre de protección del medioambiente (control de ruidos) (Protection of the Environment Operations - Noise Control) de la legislación de Nueva Gales del Sur. Los datos sobre las emisiones sonoras se pueden encontrar en la etiqueta de la máquina y en el capítulo Datos técnicos.

CE

El producto cumple con las directivas CE vigentes.

UK  
CA

Este producto cumple con las directivas del Reino Unido vigentes.

aaaaassxxxx

La placa de características técnicas indica el número de serie. **aaaa** es el año de producción **yss** es la semana de producción.

**Nota:** Los demás símbolos y etiquetas que aparecen en el producto corresponden a requisitos de homologación específicos en algunos mercados.

## Emisiones Euro V



**ADVERTENCIA:** La manipulación del motor anula la homologación de la UE de este producto.

## Seguridad

### Definiciones de seguridad

Las advertencias, precauciones y notas se utilizan para destacar información especialmente importante del manual.



**ADVERTENCIA:** Indica un riesgo de lesiones o incluso de muerte del usuario o de las personas cercanas si no se respetan las instrucciones del manual.



**PRECAUCIÓN:** Indica un riesgo de daños en el producto, otros materiales o el área adyacente si no se respetan las instrucciones del manual.

**Nota:** Se usa para proporcionar más información necesaria en una situación determinada.

### Instrucciones generales de seguridad



**ADVERTENCIA:** Lea las siguientes instrucciones de advertencia antes de utilizar el producto.

- Usar el producto de modo inadecuado o negligente puede convertirlo en una herramienta peligrosa y causar daños graves, incluso mortales. Es sumamente importante que lea y comprenda el contenido de este manual de instrucciones.

- Este producto genera un campo electromagnético durante el funcionamiento. Este campo magnético puede, en determinadas circunstancias, interferir con implantes médicos activos o pasivos. Para reducir el riesgo de que se den condiciones que provocarían lesiones graves o letales, las personas que utilizan implantes médicos deben consultar con su médico y con el fabricante del implante antes de poner en marcha este producto.
- La sobreexposición a las vibraciones puede provocar problemas circulatorios y dolencias de carácter nervioso, especialmente en personas con patologías circulatorias. Acuda a un médico si nota síntomas corporales que puedan relacionarse con la sobreexposición a las vibraciones. Ejemplos de tales síntomas son la pérdida de sensibilidad, el hormigueo, las «punzadas», el dolor, la pérdida o reducción de la fuerza normal o los cambios en el color y la superficie de la piel. Estos síntomas se presentan normalmente en dedos, manos y muñecas. El riesgo puede ser mayor a bajas temperaturas.
- Cuando se vea en una situación insegura para continuar el trabajo, debe consultar a un experto. Póngase en contacto con su distribuidor o taller de servicio. Evite todo uso para el cual no se sienta suficientemente calificado.
- Debe tenerse en cuenta que el operador es responsable de los accidentes o riesgos que afecten a otras personas o a su propiedad.
- Nunca deje que otras personas utilicen el producto sin asegurarse primero de que hayan entendido el contenido de este manual de usuario.
- No permita nunca que los niños utilicen el producto ni que permanezcan cerca de este. Dado que el interruptor de parada del producto tiene retorno por muelle y se puede arrancar con poca velocidad y fuerza en la empuñadura de arranque, incluso los niños pequeños pueden, en determinadas circunstancias, lograr la fuerza necesaria para arrancar el producto. Ello puede comportar riesgo de daños personales graves. Por consiguiente, quite el sombrerete de bujía cuando vaya a dejar la máquina sin vigilar.
- Guarde el producto lejos del alcance de los niños.
- No utilice nunca el producto si está cansado, si ha ingerido alcohol o si toma medicamentos que puedan afectarle a la vista, la capacidad de discernimiento o la coordinación.
- No utilice nunca un producto defectuoso. Siga las instrucciones de mantenimiento, control y servicio de este manual. Algunas medidas de mantenimiento y servicio deben ser efectuadas por especialistas formados y cualificados. Consulte las instrucciones bajo el título Mantenimiento.
- No utilice nunca un producto que haya sido modificado de modo que ya no coincida con la configuración original.

## Instrucciones de seguridad para el funcionamiento

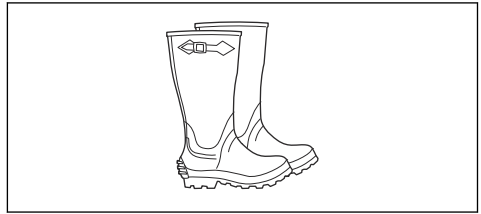


**ADVERTENCIA:** Lea las siguientes instrucciones de advertencia antes de utilizar el producto.

- Nunca utilice el producto en condiciones atmosféricas extremas como frío intenso o clima muy caluroso o húmedo.
- Las cuchillas defectuosas pueden aumentar el riesgo de accidentes.
- Asegúrese de que nadie se acerque a menos de 15 metros (50 pies) durante el trabajo.
- Observe el entorno y asegúrese de que no haya riesgo de tocar a personas o animales con el equipo de corte.
- Inspeccione la zona de trabajo. Retire objetos que puedan ser lanzados.
- Cerciórese siempre de tener una posición de trabajo segura y firme.
- Nunca deje el producto sin supervisión con el motor en marcha.
- Cerciórese de mantener las manos y los pies alejados de la unidad de corte mientras el motor está en marcha.
- Si las cuchillas se atascan en algún objeto durante el corte, apague primero el motor y espere a que las cuchillas se detengan completamente antes de despejar el objeto. Desconecte el cable de encendido de la bujía. Consulte la sección *Examinar las cuchillas en la página 104*.
- Al apagar el motor, mantenga las manos y los pies alejados de la unidad de corte hasta que el motor se detenga por completo.
- Tenga cuidado con los trozos de rama que pueden salir despedidos durante el corte.
- Cuando use protectores auriculares preste siempre atención a las señales o llamadas de advertencia. Quítese siempre la protección de oídos en cuanto se detenga el motor.
- No trabaje nunca desde una escalera, taburete u otra posición elevada que no tenga un apoyo completamente seguro.
- Utilice siempre las dos manos para sostener el producto. Mantenga el producto delante del cuerpo.
- Si choca con algún objeto o si se producen vibraciones fuertes, pare el producto inmediatamente. Desconecte el cable de encendido de la bujía. Compruebe que el producto no esté dañado. Repare posibles averías.
- Comprobar que el sombrerete de la bujía y el cable de encendido están en perfecto estado para evitar el riesgo de sacudida eléctrica.
- Verifique que todas las tuercas y tornillos estén apretados.

- Asegúrese de que el engranaje esté suficientemente lubricado. Consulte la sección *Para lubricar la caja de engranajes en la página 104*.
- Después de trabajar con el producto, la caja de engranajes está caliente. No toque el engranaje para evitar quemaduras.
- Todas las cubiertas y protecciones deben estar montadas antes del arranque.
- Si el producto no se utiliza, coloque siempre la protección para transportes sobre la unidad de corte.

- Utilice botas o zapatos antideslizantes y fuertes.

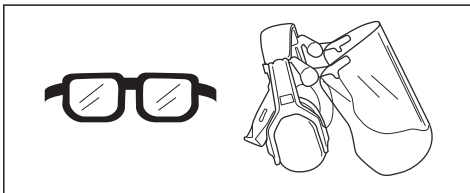


## Equipo de protección personal

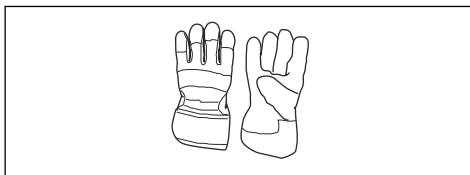


**ADVERTENCIA:** Lea las siguientes instrucciones de advertencia antes de utilizar el producto.

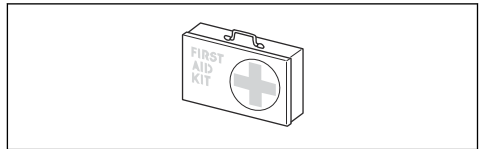
- Para trabajar con el producto, debe utilizar siempre un equipo de protección personal homologado. El equipo de protección personal no elimina completamente el riesgo de lesiones, pero reduce la gravedad de las lesiones en caso de accidente. Deje que el distribuidor le ayude a seleccionar el equipo adecuado.
- Use protectores auriculares homologados con suficiente capacidad de reducción sonora. La exposición prolongada al ruido puede causar daños crónicos en el oído.
- Utilice protección ocular homologada. Si se utiliza visor, deben utilizarse también gafas protectoras homologadas. Por gafas protectoras homologadas se entienden las que cumplen con la norma ANSI Z87.1 para EE. UU. o EN 166 para países de la UE.



- Utilice guantes cuando sea necesario, por ejemplo, para el montaje, inspección o limpieza del equipo de corte.



- Use indumentaria de material resistente. Use siempre pantalones largos y gruesos, y mangas largas. No lleve ropa suelta que pueda quedar atrapada en los arbustos y ramas. No trabaje con joyas, pantalones cortos, sandalias ni los pies descalzos. Recójase el pelo por encima de los hombros.
- Mantenga el equipo de primeros auxilios cerca.



## Dispositivos de seguridad en el producto



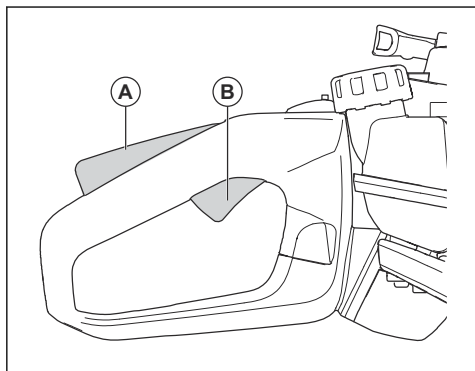
**ADVERTENCIA:** Lea las siguientes instrucciones de advertencia antes de utilizar el producto.

- No utilice un producto que tenga dispositivos de seguridad defectuosos.
- Realice una comprobación de los dispositivos de seguridad con frecuencia. Si los dispositivos de seguridad están defectuosos, hable con su taller de servicio Husqvarna.

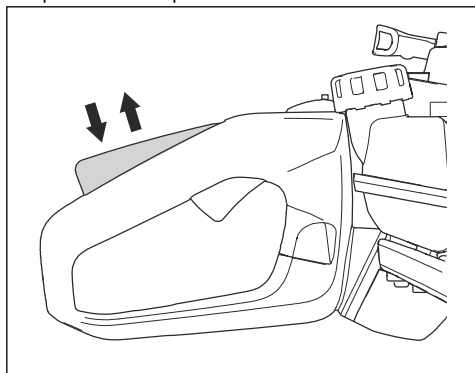
## Comprobación del bloqueo del acelerador



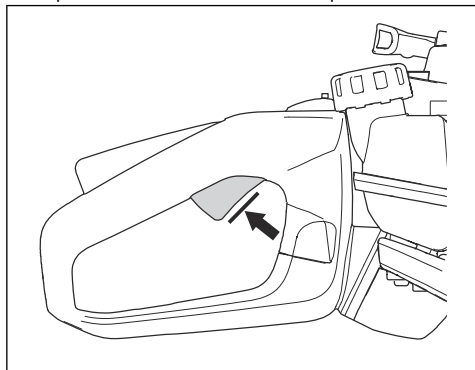
1. Compruebe que el bloqueo del acelerador (A) y el acelerador (B) se muevan con facilidad y que el muelle de retorno funcione correctamente.



2. Presione el bloqueo del acelerador y asegúrese de que vuelve a su posición inicial al soltarlo.



3. Asegúrese de que el acelerador está bloqueado en la posición de ralentí cuando el bloqueo se suelta.



4. Ponga en marcha el producto y acelere al máximo.
5. Suelte el acelerador y asegúrese de que las cuchillas se detienen y mantienen paradas.



**ADVERTENCIA:** Si las cuchillas se mueven con el acelerador en posición de ralentí, se debe regular el ralentí del carburador. Consulte la sección *Para ajustar el régimen de ralentí en la página 103*.

#### Comprobación del interruptor de parada

1. Arranque el motor.
2. Coloque el interruptor de parada a la posición de parada y asegúrese de que el motor se detenga.



**ADVERTENCIA:** El interruptor de parada regresa automáticamente a la posición de arranque. Para evitar un arranque accidental, retire el sombrerete de la bujía cuando monte el producto o realice tareas de mantenimiento en él.

#### Comprobación de la protección para la mano

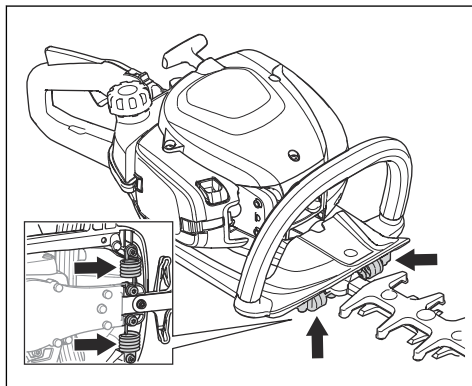
La protección para la mano impide que se produzcan lesiones por las cuchillas.

1. Pare el motor.
2. Asegúrese de que la protección para la mano está fijada correctamente.
3. Examine si hay daños en la protección para la mano.

#### Comprobación del sistema amortiguador de vibraciones

El sistema amortiguador de vibraciones disminuye la vibración en los mangos. Los amortiguadores de vibraciones actúan como separadores entre el cuerpo del producto y el mango.

1. Realice una comprobación visual para detectar deformaciones y daños.
2. Compruebe que los amortiguadores de vibraciones están correctamente instalados.



## Comprobación del silenciador



**ADVERTENCIA:** No utilice el producto sin un silenciador ni con uno defectuoso. Un silenciador defectuoso puede aumentar el nivel de ruido y el riesgo de incendio. No utilice el producto sin un apagachispas ni con uno roto. Si el apagachispas sufre desperfectos, cámbielo.



**ADVERTENCIA:** Los silenciadores se calientan mucho durante y después del funcionamiento, incluso con el motor a ralentí.



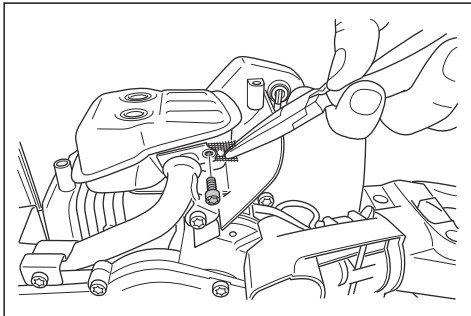
**PRECAUCIÓN:** Si el apagachispas se obstruye con frecuencia, puede ser una señal de que se ha reducido el rendimiento del catalizador. Acuda a su distribuidor para que examine el silenciador. Un apagachispas bloqueado provocará sobrecalentamiento y daños en el cilindro y el pistón.



**ADVERTENCIA:** Las superficies internas del silenciador contienen sustancias químicas que pueden provocar cáncer. Evite el contacto con estos elementos si el silenciador resulta dañado.

El silenciador mantiene al mínimo los niveles de ruido y aparta los gases de escape del operador. Un silenciador con catalizador disminuye los gases de escape nocivos.

1. Pare el motor.
2. Compruebe visualmente si hay daños y deformación.
3. Compruebe que el silenciador esté firmemente montado en el producto.
4. Limpie el apagachispas con un cepillo de alambre.



## Comprobación de las hojas y de la protección de la hoja

El lado exterior de las hojas funciona como protección de las hojas. La protección de las hojas evita que se produzcan lesiones por cortes.

1. Pare el motor y asegúrese de que las hojas se detengan.
2. Desmonte el sombrerete de bujía de la bujía.
3. Use guantes protectores.
4. Asegúrese de que la hoja y la protección de la hoja no estén dañadas ni dobladas. Sustituya siempre las hojas dañadas o dobladas, o la protección de las hojas dañada.
5. Asegúrese de que los tornillos de las hojas y de la protección de las hojas están apretados.

## Seguridad en el uso del combustible



**ADVERTENCIA:** Lea las siguientes instrucciones de advertencia antes de utilizar el producto.

- No arranque el producto si está manchado con combustible o aceite del motor. Retire el combustible/aceite no deseado y deje secar el producto.
- Si derrama combustible sobre la ropa, cámbiese inmediatamente.
- Evite el contacto con el combustible; puede provocarle lesiones. Si entra en contacto con el combustible, utilice agua y jabón para eliminar el combustible.
- No arranque el motor si el producto tiene una fuga. Examine frecuentemente si hay fugas en el motor.
- Tenga cuidado con el combustible. El combustible es inflamable, sus vapores son explosivos y puede provocar lesiones o la muerte.
- No inhale los vapores de combustible, ya que pueden causar lesiones. Asegúrese de que hay ventilación suficiente.
- No fume cerca del combustible o el motor.
- No coloque objetos calientes cerca del combustible o el motor.
- No agregue el combustible con el motor encendido.
- Asegúrese de que el motor esté frío antes de repostar.
- Antes de repostar, abra la tapa del depósito de combustible lentamente y deje salir el exceso de presión con cuidado.
- No añada combustible al motor en interiores. Una circulación de aire insuficiente puede causar lesiones o la muerte por asfixia o inhalación de monóxido de carbono.
- Apriete el tapón del depósito de combustible completamente. Si el tapón del depósito de combustible no se aprieta, existe riesgo de incendio.
- Antes de arrancar el producto, llévalo a 3 m (10 pies) de distancia como mínimo del punto en el que llenó el depósito.

- No llene el depósito de combustible por completo. El calor hace que el combustible se expanda. Deje espacio en la parte superior del depósito de combustible.

## Instrucciones de seguridad para el mantenimiento



**ADVERTENCIA:** Lea las siguientes instrucciones de advertencia antes de utilizar el producto.

- Pare el motor y asegúrese de que el equipo de corte se detenga. Deje que el producto se enfríe antes de llevar a cabo cualquier tarea de mantenimiento.
- Desconecte el sombrerete de bujía antes de realizar el mantenimiento.
- Los gases de escape del motor contienen monóxido de carbono, que es un gas inodoro, tóxico y muy peligroso que puede provocar la muerte. No use el producto en interiores ni en espacios cerrados.

- Los gases de escape del motor están calientes y pueden contener chispas. No haga funcionar el producto en un recinto cerrado ni cerca de material inflamable.
- Los accesorios y modificaciones en el producto que no estén aprobados por el fabricante pueden causar daños graves o la muerte. No modifique el producto. Utilice siempre accesorios originales.
- Si el mantenimiento no se realiza correctamente y de forma regular, aumenta el riesgo de lesiones y daños en el producto.
- Realice únicamente las tareas de mantenimiento que se recomiendan en este manual de usuario. Lleve el producto a un taller de servicio Husqvarna autorizado para que realicen el resto de tareas de mantenimiento.
- Lleve el producto a un taller de servicio Husqvarna autorizado para realizar el mantenimiento de forma regular.
- Cambie las piezas dañadas, desgastadas o rotas.

## Funcionamiento

### Introducción



**ADVERTENCIA:** Asegúrese de leer y comprender el capítulo sobre seguridad antes de usar el producto.



**PRECAUCIÓN:** No utilice gasolina con un octanaje inferior a 90 octanos RON (87 AKI). El uso de gasolina de un octanaje inferior puede causar golpeteo del motor, lo cual puede provocar daños en el motor.

### Carburante

Este producto tiene un motor de dos tiempos.



**PRECAUCIÓN:** Un tipo de combustible incorrecto puede producir daños en el motor. Utilice una mezcla de gasolina y aceite para motores de dos tiempos.

### Aceite para motores de dos tiempos

- Para obtener los mejores resultados y un rendimiento óptimo, utilice aceite para motores de dos tiempos Husqvarna.
- Si no se dispone de aceite para motores de dos tiempos Husqvarna, puede utilizarse un aceite para motores de dos tiempos de buena calidad para motores refrigerados por aire. Póngase en contacto con su taller de servicio para seleccionar el aceite correcto.

### Combustible premezclado

- Utilice gasolina de alquilato premezclada Husqvarna para mejorar el rendimiento y prolongar la vida útil del motor. Este combustible contiene menos productos químicos peligrosos que la gasolina tradicional, lo que reduce los gases de escape tóxicos. Con este combustible, se reduce la cantidad de residuos de la combustión, lo que ayuda a mejorar el nivel de limpieza de los componentes del motor.



**PRECAUCIÓN:** No utilice nunca aceite para motores de dos tiempos fuera de los motores refrigerados por agua. No utilice aceite para motores de cuatro tiempos.

### Mezcla de combustible

#### Gasolina

- Utilice gasolina sin plomo de buena calidad con un máximo de un 10 % de etanol.

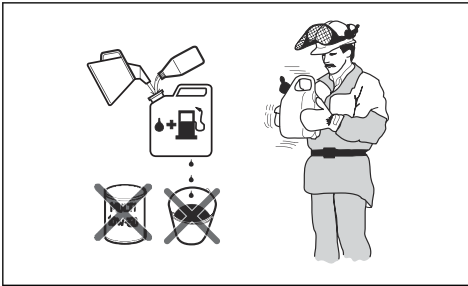
### Mezcla de gasolina y aceite para motores de dos tiempos

Gasolina, litros	Aceite para motores de dos tiempos, litros
	2 % (50:1)

5	0,10
10	0,20
15	0,30
20	0,40



**PRECAUCIÓN:** Los errores, por pequeños que sean, pueden influir en la proporción de la mezcla considerablemente si mezcla pequeñas cantidades de combustible. Mida cuidadosamente la cantidad de aceite para asegurarse de obtener la mezcla adecuada.



1. Agregue la mitad de la cantidad de gasolina a un recipiente limpio homologado para combustible.
2. Añada la cantidad total de aceite.
3. Agite la mezcla de combustible.
4. Añada el resto de gasolina al recipiente.
5. Agite bien la mezcla de combustible.



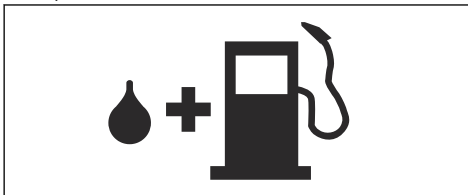
**PRECAUCIÓN:** No mezcle combustible para más de 1 mes como máximo.

## Llenado del depósito de combustible



**ADVERTENCIA:** Por su seguridad, siga el procedimiento que se indica a continuación.

1. Detenga el motor y deje que se enfríe.
2. Limpie minuciosamente alrededor de la tapa del depósito de combustible.



3. Agite el recipiente y asegúrese de que el combustible esté totalmente mezclado.
4. Abra el tapón del depósito de combustible lentamente para liberar la presión.
5. Llene el depósito de combustible.



**PRECAUCIÓN:** Asegúrese de que no haya demasiado combustible en el depósito, ya que este se expande cuando se calienta.

6. Apriete con cuidado el tapón del depósito de combustible.
7. Limpie el combustible derramado sobre el producto y alrededor de él.
8. Aparte el producto 3 m (10 pies) o más del lugar y la fuente de repostaje antes de arrancar el motor.

**Nota:** Para conocer la ubicación del depósito de combustible en el producto, consulte *Descripción del producto* en la página 93.

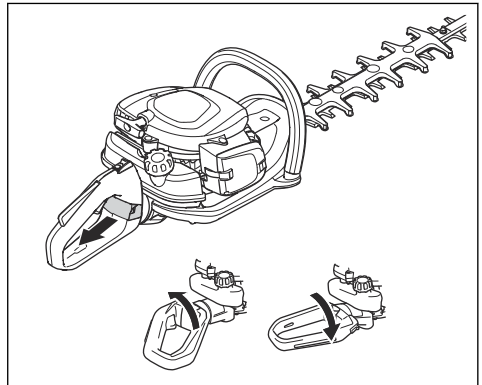
## Instalación de la protección de la punta de las hojas

1. Retire la tuerca y el perno de la punta de las hojas.
2. Instale la protección de la punta de las hojas en la punta de las hojas.
3. Instale el perno y apriételo a 7 Nm.
4. Instale la tuerca y apriétela a 5 Nm.

## Ajuste del mango

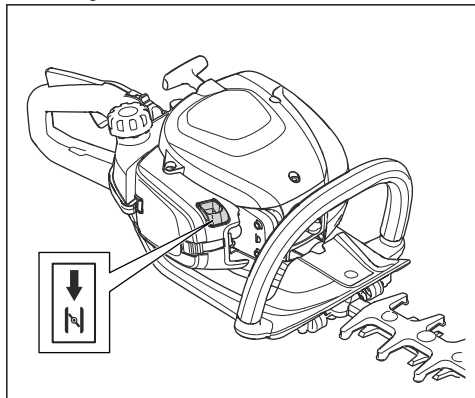
El mango trasero puede ajustarse en 3 posiciones.

- Suelte el bloqueo del mango y gire el mango.



## Arranque del producto con el motor frío

1. Tire del estrangulador hasta la posición de estrangulamiento.



2. Presione la perilla de la bomba de combustible aproximadamente 6 veces o hasta que esta empiece a llenarse de combustible. No es necesario llenar completamente la perilla de la bomba de combustible.
3. Sujete el cuerpo del producto contra el suelo con la mano izquierda. No pise el producto.
4. Tire de la empuñadura de la cuerda de arranque lentamente con la mano derecha hasta que note algo de resistencia. A continuación, tire de la empuñadura de la cuerda de arranque rápidamente y con fuerza.



**ADVERTENCIA:** No se enrolle la cuerda de arranque alrededor de la mano.



**PRECAUCIÓN:** No tire de la cuerda de arranque al máximo y no suelte la empuñadura de arranque.

5. Continúe tirando de la empuñadura de la cuerda de arranque hasta que el motor arranque y, a continuación, mueva el estrangulador a su posición inicial.



**ADVERTENCIA:** Las hojas giran cuando arranca el motor.

6. Siga tirando de la empuñadura de la cuerda de arranque hasta que el motor arranque.
7. Presione y suelte el acelerador para que el motor esté en la posición de ralentí.
8. Presione el acelerador de forma gradual para aumentar el régimen del motor.

9. Asegúrese de que el motor funciona con suavidad.

## Arranque del producto con el motor caliente

1. Sujete el cuerpo del producto contra el suelo con la mano izquierda. No pise el producto.
2. Tire de la empuñadura de la cuerda de arranque lentamente con la mano derecha hasta que note algo de resistencia. A continuación, tire de la empuñadura de la cuerda de arranque rápidamente y con fuerza. Continúe hasta que el motor arranque.

**Nota:** Para obtener más información sobre cómo arrancar el producto, consulte la sección *Arranque del producto con el motor frío* en la página 101.

## Para detener el producto

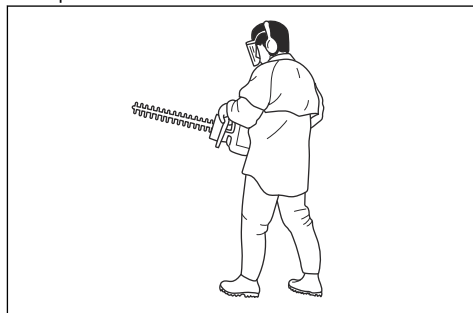
- Mueva el interruptor de parada hasta la posición de parada para detener el motor.



**PRECAUCIÓN:** El interruptor de parada regresa automáticamente a la posición de arranque.

## Manejo del producto

1. Empiece cerca del suelo y mueva el producto hacia arriba a lo largo del seto cuando corte los laterales. Tenga cuidado de que el cuerpo del producto no toque el seto.



**ADVERTENCIA:** Tenga cuidado de que la parte delantera del equipo de corte no toque el suelo.

2. Ajuste la velocidad de acuerdo con la carga de trabajo.
3. Mantenga el producto cerca de su cuerpo para una posición de trabajo estable.
4. Tenga cuidado y utilice el producto lentamente.

# Mantenimiento

## Introducción

antes de realizar tareas de mantenimiento en el producto.



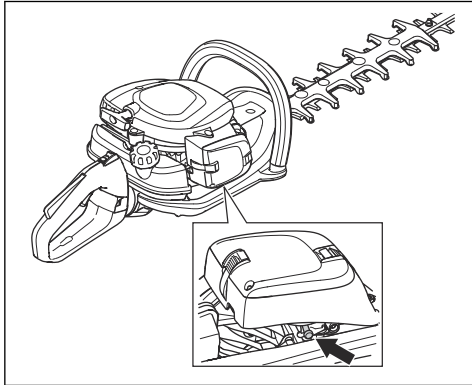
**ADVERTENCIA:** Asegúrese de leer y comprender el capítulo sobre seguridad

## Programa de mantenimiento

Mantenimiento	Antes del uso	Después de 40 h	Después de 100 h
Limpie la superficie externa.		Después de cada uso.	
Limpie el silenciador, el tubo de escape y el motor si hay hojas, suciedad o lubricante no deseado.		Después de cada uso.	
Asegúrese de que el equipo de corte no se mueva a ralentí.	X		
Compruebe el interruptor de parada.	X		
Examine el equipo de corte y la protección del equipo de corte para comprobar si presenta daños o grietas. Sustitúyalo si está dañado.	X		
Examine la protección para la mano para comprobar que no hay daños ni grietas. Sustitúyalo si está dañado.	X		
Realice una comprobación del bloqueo del acelerador y del acelerador.	X		
Examine el motor, el depósito de combustible y los conductos de combustible para detectar posibles fugas.	X		
Apriete las tuercas y los tornillos.	X		
Examine el filtro de combustible para comprobar si está sucio y la manguera de combustible para comprobar si presenta grietas u otros defectos. Sustitúyala si es necesario.	X		
Examine el mecanismo de arranque y la cuerda de arranque en busca de daños.		X	
Limpie el filtro de aire. Proceda con la sustitución si es necesario.		X	
Examine los amortiguadores de vibraciones en busca de posibles daños y grietas.		X	
Inspeccione la bujía; consulte <i>Para examinar la bujía en la página 103</i> .		X	
Limpie el sistema de refrigeración.		X	
Limpie el exterior del carburador y la zona alrededor del mismo.		X	
Limpie o cambie la red apagachispas.			X
Limpie la superficie interior del depósito de combustible.			X
Examine la bujía.			X
Asegúrese de que la caja de engranajes está llena de grasa.			X

## Para ajustar el régimen de ralentí

1. Limpie el filtro de aire y coloque la cubierta del filtro de aire.
2. Arranque el producto; consulte *Arranque del producto con el motor frío en la página 101*.
3. Gire el tornillo de ajuste de ralentí T hacia la derecha hasta que comience a moverse el equipo de corte.



4. Gire el tornillo de ajuste de ralentí hacia la izquierda hasta que el equipo de corte se detenga.



**ADVERTENCIA:** Si el equipo de corte no se detiene al ajustar el ralentí, acuda a su distribuidor más cercano. No utilice el producto hasta que no esté regulado o reparado correctamente.

**Nota:** El régimen de ralentí es correcto cuando el motor funciona con suavidad en todas las posiciones. Consulte *Datos técnicos en la página 105* para obtener información sobre el régimen de ralentí recomendado.

## Para limpiar el sistema de refrigeración

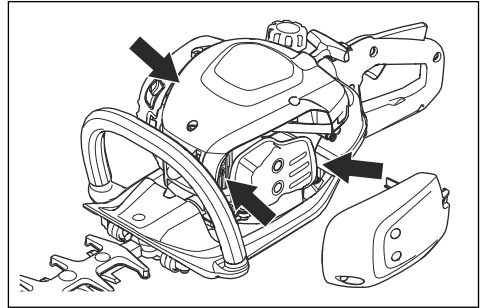
El sistema de refrigeración ayuda a reducir la temperatura del motor. El sistema refrigerante incluye las aletas de refrigeración del cilindro y el cuerpo del mecanismo de arranque.



**PRECAUCIÓN:** La toma de aire entre el depósito de combustible y el cárter se obstruye fácilmente con las hojas. Limpie en profundidad la toma de aire.

1. Limpie el sistema de refrigeración con un cepillo una vez a la semana o con más frecuencia si es necesario.

2. Asegúrese de que el sistema de refrigeración no esté dañado ni obstruido.

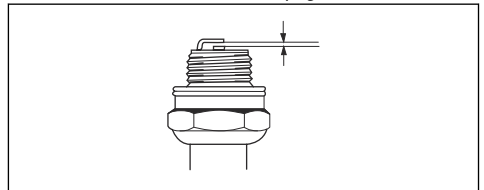


## Para examinar la bujía



**PRECAUCIÓN:** Utilice siempre el tipo de bujía recomendado. El uso de un tipo de bujía incorrecto puede causar averías en el producto.

- Examine la bujía si el motor tiene baja potencia, no es fácil de arrancar o no funciona correctamente al régimen de ralentí.
- Para reducir el riesgo de material no deseado en los electrodos de la bujía, siga estas instrucciones:
  - a) Asegúrese de que el régimen de ralentí está bien ajustado.
  - b) Asegúrese de que la mezcla de combustible sea correcta.
  - c) Asegúrese de que el filtro de aire esté limpio.
- Si la bujía está sucia, límpiela y asegúrese de que la distancia entre los electrodos sea la correcta, consulte *Datos técnicos en la página 105*.



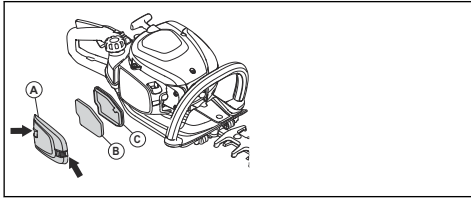
- Sustituya la bujía si fuese necesario.

## Para limpiar el filtro de aire

Limpie el filtro de aire con regularidad para eliminar los restos de suciedad y polvo. De esta forma, se evitarán averías en el carburador, problemas de arranque, la pérdida de potencia del motor, el desgaste de los componentes del motor y un consumo anormalmente alto de combustible.

1. Retire la cubierta del filtro de aire (A).

2. Retire el filtro de espuma (B) y el filtro de fieltro (C) del bastidor del filtro.



3. Sustituya el filtro de fieltro (C).
4. Limpie el filtro de espuma (B) con agua jabonosa tibia.

**Nota:** Un filtro de aire que se haya utilizado durante mucho tiempo no se puede limpiar por completo. Sustituya el filtro de aire periódicamente y cambie siempre el filtro de aire si está defectuoso.

5. Asegúrese de que el filtro de espuma (B) está seco.
6. Aplique aceite para filtro de aire en el filtro de espuma (B). Consulte *Aplicación de aceite al filtro de aire en la página 104*.
7. Limpie la superficie interior de la cubierta del filtro de aire (A). Utilice aire comprimido o un cepillo.

### Aplicación de aceite al filtro de aire

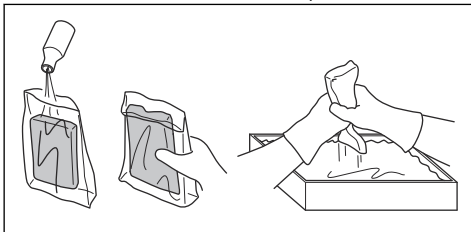


**PRECAUCIÓN:** Utilice siempre aceite especial para filtros de aire Husqvarna. No utilice otros tipos de aceite.



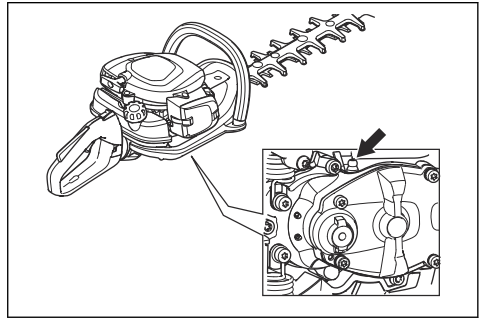
**ADVERTENCIA:** Use guantes protectores. El aceite del filtro de aire puede causar irritación en la piel.

1. Coloque el filtro de aire en una bolsa de plástico.
2. Coloque el aceite en la bolsa de plástico.
3. Frote la bolsa de plástico para suministrar el aceite de forma equilibrada en el filtro de aire.
4. Empuje el aceite sobrante para sacarlo del filtro de aire mientras está en la bolsa de plástico.



### Para lubricar la caja de engranajes

- Use grasa especial Husqvarna. Póngase en contacto con su distribuidor para obtener más información sobre la grasa recomendada.
- Añada la grasa a través de la boquilla de engrase.



**PRECAUCIÓN:** No llene completamente la caja de engranajes.

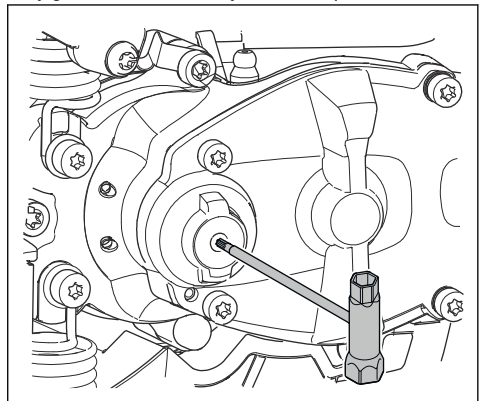
### Limpieza y lubricación de las cuchillas

1. Elimine los materiales no deseados de las hojas antes y después de usar el producto.
2. Lubrique las hojas antes de guardar la máquina durante un periodo prolongado.

**Nota:** Póngase en contacto con su distribuidor para obtener más información sobre los productos de limpieza y los lubricantes recomendados.

### Examinar las cuchillas

1. Retire el tapón de la caja de engranajes.
2. Asegúrese de que las cuchillas giran libremente. Coloque la llave combinada en la caja de engranajes y gire hacia la derecha y hacia la izquierda.





3. Examine los bordes de las cuchillas en busca de daños y deformaciones.

4. Utilice una lima para retirar las rebabas de las cuchillas.

## Transporte, almacenamiento y eliminación

### Transporte y almacenamiento

- Deje siempre que se enfríe el producto antes de almacenarlo.
- Para el transporte y almacenamiento del producto y del combustible, asegúrese de que no haya fugas ni humos. Las chispas o llamas abiertas, por ejemplo, de dispositivos eléctricos o calderas, pueden producir un incendio.
- Use siempre recipientes homologados para el transporte y almacenamiento de combustible.
- Vacíe el combustible antes del transporte o antes de almacenamiento a largo plazo. Deseche el combustible en una ubicación adecuada para su eliminación.
- Fije la protección para transporte cuando vaya a guardar o a transportar el producto.
- Desmonte el sombrerete de bujía de la bujía.
- Fije el producto durante el transporte. Asegúrese de que no pueda moverse.
- Limpie el producto y efectúe las labores de servicio antes de almacenarlo durante un tiempo prolongado.

## Datos técnicos

### Datos técnicos

	522HD60X	522HDR60X	522HDR75X
<b>Motor</b>			
Cilindrada, cm <sup>3</sup>	21,7	21,7	21,7
Régimen de ralentí, rpm	3000	3000	3000
Régimen máximo recomendado, rpm	9200	9200	9200
Potencia máxima del motor según ISO 8893, kW/CV a rpm	0,6/0,8 a 7800	0,6/0,8 a 7800	0,6/0,8 a 7800
Silenciador con catalizador	Sí	Sí	Sí
<b>Sistema de encendido</b>			
Bujía	NGK CMR6A	NGK CMR6A	NGK CMR6A
Distancia entre electrodos, mm	0,5	0,5	0,5
<b>Carburante</b>			
Capacidad del depósito de combustible, l/cm <sup>3</sup>	0,45/450	0,45/450	0,45/450
<b>Peso</b>			
Sin combustible, kg	4,9	5,0	5,2
<b>Emisiones de ruido</b> <sup>19</sup>			
Nivel de potencia acústica, dB(A) medidos	101	101	101

<sup>19</sup> Emisiones sonoras en el entorno medidas como potencia acústica (L<sub>WA</sub>) según la directiva CE 2000/14/CE. El nivel referido de potencia acústica del producto se ha medido con el equipo de corte original que produce el nivel más elevado. La diferencia entre la potencia sonora garantizada y medida es que la potencia sonora garantizada también incluye la dispersión en el resultado de la medición y las variaciones entre diferentes máquinas del mismo modelo, según la directiva 2000/14/CE.

	<b>522HD60X</b>	<b>522HDR60X</b>	<b>522HDR75X</b>
Nivel de potencia acústica garantizado $L_{WA}$ dB(A)	102	102	102
<b>Niveles acústicos</b> <sup>20</sup>			
Nivel de presión sonora equivalente en la oreja del usuario, medido según EN ISO 10517, dB(A)	93	93	93
<b>Niveles de vibraciones</b> <sup>21</sup>			
Niveles de vibración equivalentes ( $a_{hv,eq}$ ) en los mangos, medidos según la norma EN ISO 10517, $m/s^2$ :			
Delantero/trasero, $mm/s^2$	2,7/1,2	2,8/1,3	2,1/2,2
<b>Cuchillas</b>			
Tipo	Doble lado	Doble lado	Doble lado
Longitud de corte, mm	600	600	750
Velocidad de corte, cortes/min	4400	3200	3200

<sup>20</sup> Los datos referidos del nivel de presión sonora tienen una dispersión estadística habitual (desviación típica) de 1 dB (A).

<sup>21</sup> Los datos referidos del nivel de vibración poseen una dispersión estadística habitual (desviación típica) de 1  $m/s^2$ .

## Declaración de conformidad

### Declaración de conformidad CE

Nosotros, **Husqvarna AB**, SE-561 82 Huskvarna (Suecia), tel. +46-36-146500, declaramos bajo nuestra exclusiva responsabilidad que el producto:

<b>Descripción</b>	Cortasetos
<b>Marca</b>	Husqvarna
<b>Tipo/Modelo</b>	522HD60X, 522HDR60X, 522HDR75X
<b>Identificación</b>	Números de serie a partir del año 2022

Cumple las siguientes directivas y normas de la UE:

<b>Norma</b>	<b>Descripción</b>
2006/42/CE	"relativa a las máquinas"
2014/30/UE	"relativa a la compatibilidad electromagnética"
2000/14/CE	"relativa a las emisiones sonoras en el entorno"
2011/65/UE	"relativa a restricciones de utilización de determinadas sustancias peligrosas en aparatos eléctricos y electrónicos"

Y que se aplican las especificaciones técnicas o los estándares siguientes: EN ISO 12100:2021, CISPR 12: 2009, EN ISO 10517:2009/A1:2013, EN IEC 63000:2018.

RISE SMP Svensk Maskinprovning AB, ha llevado a cabo un examen voluntario para Husqvarna AB. Número de certificado: SEC/18/2518.

RISE SMP Svensk Maskinprovning AB ha certificado la conformidad con la directiva del Consejo del 8 de mayo de 2000 "relativa a emisiones sonoras en el entorno" 2000/14/CE. Números de certificado: 01/094/026-522HD60X, 01/094/027-522HDR60X, 522HDR75X.

Para obtener información respecto a las emisiones sonoras, consulte *Datos técnicos en la página 105*.

Huskvarna, 2022-05-09

Stefan Holmberg, Director de I+D, Gestión de tecnología, Husqvarna AB

Responsable de la documentación técnica

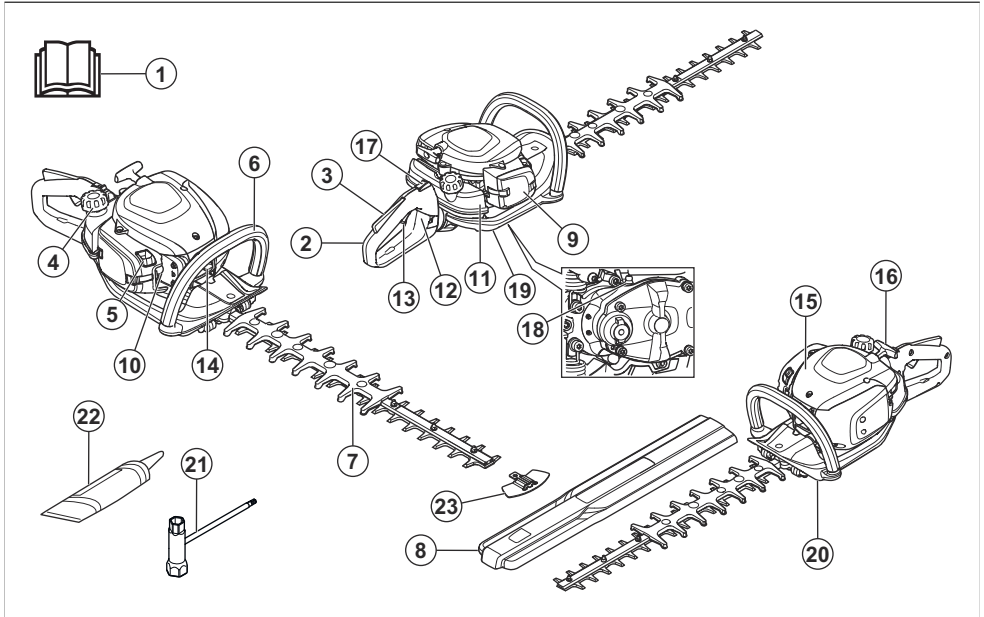


## Sisukord

Sissejuhatus.....	108	Transportimine, hoivlepanek ja utiliseerimine.....	119
Ohutus.....	109	Tehnilised andmed.....	119
Töö.....	113	Vastavusdeklaratsioon.....	121
Hooldamine.....	116		

## Sissejuhatus

### Seadme tutvustus



1. Kasutusjuhend
2. Tagumine käepide
3. Gaasihoovastiku nupu lukk
4. Kütusepaagi kork
5. Õhuklapp
6. Esikäepide
7. Lõiketera ja lõiketera kaitse
8. Transportkaitse
9. Õhufiltri kaas
10. Kütusepump
11. Kütusepaak
12. Käepideme lukustus
13. Gaasihoovastiku nupp
14. Süütepea ja süüteküünal
15. Silindri kate
16. Käivitusnööri käepide
17. Seiskamislüüti
18. Määrdenippel
19. Ülekanne
20. Käekaitse
21. Lehtsilmusvõti
22. Määrdetuub
23. Lõiketera otsakaitse

### Toote kirjeldus

See toode on sisepõlemismootoriga hekilõikur.

### Kasutusotstarve

Kasutage toodet okste ja raagude lõikamiseks. Ärge kasutage toodet muude tööde tegemiseks.

## Sümbolid tootel



Stop.



Olge ettevaatlik ja kasutage toodet õigesti. Toode võib tekitada kasutajale või teistele raske või surmava kehavigastuse.



Enne toote kasutamist lugege kasutusjuhend hoolikalt läbi ja veenduge, et kõik juhised oleksid täiesti arusaadavad.



Kasutage heakskiidetud kõrvaklappe ja kaitseprille.



Kandke heakskiidetud kaitsekindaid.



Kandke vastupidavaid libisemiskindlaid jalanõusid.

# T

Tühikäigu reguleerimiskruvi.

# H

Suure kiiruse segukruvi.

# L

Madala kiiruse segukruvi.



Keskonna müratase vastavalt Euroopa direktiivi 2000/14/EÜ ja Uus-Lõuna-Walesi seaduse „Protection of the Environment Operations (Noise Control) Regulation 2017“ nõuetele. Mürataseme andmed on toodud seadme sildil ja tehniliste andmete peatükis.

# CE

See toode vastab kehtivatele EÜ direktiividele.

# UK CA

See toode vastab kehtivatele UK direktiividele.

aaaaannxxx

Mudeli andmesilt näitab seerianumbrit. **aaaa** on tootmisaasta ja **nn** on tootmisnädal.

**Märkus:** Ülejäänud seadmel toodud sümbolid/ tähised vastavad teatud riikides kehtivatele sertifitseerimisnõuetele.

## Euro V heitmed



**HOIATUS:** Mootori igasugune modifitseerimine, muutmine või rikkumine tühistab toote EL-i tüübikinnituse.

## Ohutus

### Ohutuse määratlused

Mõistetega „hoiatus“, „ettevaatus“ ja „märkus“ juhitakse tähelepanu eriti olulistele kohtadele kasutusjuhendis.



**HOIATUS:** Tähistab kasutusjuhendi juhiste eiramise korral kasutaja või kõrvalseisjate kehavigastuse või surmaga lõppeva õnnetuse ohtu.



**ETTEVAATUST:** Tähistab kasutusjuhendi juhiste eiramise korral seadme, muude esemete või läheduses asuvate objektide kahjustamise ohtu.

**Märkus:** Tähistab antud olukorras vajalikku lisateavet.

### Üldised ohutuseeskirjad



**HOIATUS:** Enne toote kasutamist lugege läbi järgnevad hoiatused.

- Toode võib olla ohtlik, kui seda kasutatakse hooletult või valesti, ning võib põhjustada isegi eluohtlikke vigastusi. Väga tähtis on, et loeksite selle kasutusjuhendi hoolikalt läbi.
- Seade tekitab töötades elektromagnetvälja. Teatud tingimustel võib väli häirida aktiivsete või passiivsete

meditsiiniliste implantaatide tööd. Raskete või surmaga lõppevate kahjustuste ohu vähendamiseks soovime meditsiinilisi implantaate kasutavatel inimestel pidada enne selle toote kasutamist nõu oma arsti ja implantaadi valmistajaga.

- Tugeva vibratsiooniga töötamine võib põhjustada vereringe- või närvikahjustusi, eriti neil, kel on vereringehäireid. Pöörduge toosti kasutamist nõu ilma naha nähte, mis võivad olla vibratsioonist põhjustatud. Sellisteks nähtudeks on näiteks tundetus, surin, torkviv tunne, valu, nõrkus, muutused nahavärvil või naha seisukorras. Nimetatud nähtused esinevad tavaliselt sõrmedes, käelabades ja randmetes. Oht on suurem külma korral.
- Kui olukord on teile tundmatu, katkestage töö ja paluge spetsialistidelt abi ja nõu. Võta ühendust edasimüüja või hoolduspunkti. Ärge tehke tööd, milleks teil puudub väljaõpe või kogemused.
- Ärge unustage, et seadme kasutaja vastutab seadmest tingitud ohtude ja õnnetuste ning varakahjude eest.
- Ärge lubage kellelgi toodet kasutada enne, kui olete kindel, et ta on kasutamiseõpetuse sisust aru saanud.
- Ärge laske lapsi seadme lähedale ega seadet kasutada! Kuna seadmel on vedruka käivitus- ja seiskamisüliliit ning seda saab väikesel kiirusel kerge vaevaga käivituskäepidemest käivitada, võib mõnikord ka laps suuta seadme käima panna. See tähendab raskete vigastuste tekke ohtu. Sellepärast tuleb seadmelt eemaldada süütepea, kui seade jääb valveta.
- Hoidke toodet lastele kättesaamatus kohas.
- Ärge kunagi töötage tootega, kui olete väsinud, alkoholi tarvitanud või kui olete saanud ravimit, mis mõjub teie nägemisele, otsustus- või keskendumisvõimele.
- Ärge kunagi kasutage kahjustatud seadet. Järgige seadet kontrollides ja hooldades seadme kasutusjuhendi nõudeid. Teatud hooldustoiminguid tohib teha ainult vastava väljaõppe saanud spetsialist. Vt juhiseid, mis on toodud alajaotuses Hooldamine.
- Ärge kunagi kasutage toodet, mille ehitust on muudetud.

## Ohutusujuhised kasutamisel



**HOIATUS:** Enne seadme kasutamist lugege läbi järgnevad hoiatused.

- Ärge kasutage toodet eriti rasketes ilmaoludes, väga külma, väga tuulise või niiske ilmaga.
- Kontrollige, et süütepea ja süütekaabel oleksid kahjustusteta, et elektrilööki ära hoida.
- Jälgige, et töötamise ajal ei tuleks keegi lähemale kui 15 m.
- Enne kui käivitatakse seadet, tehke kindlaks, et läheduses ei ole inimesi ega loomi, kellele see võiks ohtlikuks osutada.

- Vaadake üle tööpiirkond. Kõrvaldage kõrvalised esemed, mis võivad eemale paiskuda.
- Jälgi alati, et sul oleks kindel ja püsiv jalgealune.
- Ärge kunagi jätke töötava mootoriga seadet järelevalveta.
- Jälgige, et käed-jalad ei satuks löikeosa tööpiirkonda.
- Kui teradesse on midagi kinni jäänud, tuleb töötav seade välja lülitada, süütejuhe süüteküünalt lahti võtta ja seejärel asuda terasid puhastama. Võtke süütejuhe süüteküünla küljest lahti. Vt jaotist *Lõiketerade kontrollimine lk 118*.
- Hoidke pärast mootori välja lülitamist käed-jalad löikeosast eemal, kuni see seisma jääb.
- Jälgige, et lõigatud oksajupid teie pihta ei paiskuks.
- Kui kasutate kuulmiskaitset, olge tähelepanelik hõigete ja hoiatussignaali suhtes. Eemaldage kõrvaklapid kohe, kui mootor on seiskunud.
- Ärge kunagi töötage redelil, toolil või muus kõrges asendis, mis ei ole täielikult fikseeritud.
- Kasutage toote hoidmiseks alati kahte kätt. Hoidke toodet enda ees.
- Võõrkehadega kokkupõrkamise või vibratsiooni ilmnemise korral peatage seade viivitamatult. Võtke süütejuhe süüteküünla küljest lahti. Kontrollige, et seade pole kahjustatud. Parandage vajadusel.
- Veenduge, et süüteküünla kate ja süütejuhe oleksid kahjustamata, et ära hoida elektrilöögi ohtu.
- Kontrollige, et kõik mutrid ja kruvid oleksid korralikult pingutatud.
- Veenduge, et ülekanne on nõuetekohaselt määritud. Vt jaotist *Ülekande puhastamine lk 118*.
- Toote kasutamisel muutub ülekanne tuliseks. Ärge puudutage ülekanne, sest see võib tekitada põletust.
- Enne käivitamist peavad olema kõik kaitse- ja katted oma kohale paigaldatud.
- Kui te ei kasuta toodet, pange löikeosale kate peale.

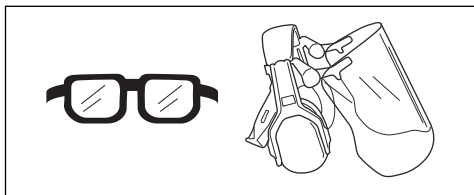
## Isikukaitsevahendid



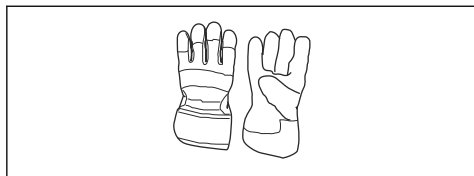
**HOIATUS:** Enne seadme kasutamist lugege läbi järgnevad hoiatused.

- Seadmega töötamisel tuleb kasutada ettenähtud isikukaitsevarustust. Isikukaitsevarustus ei välista täielikult kehavigastuste ohtu, kuid vähendab õnnetusjuhtumi korral kehavigastuse raskusastet. Õige varustuse valimiseks pöörduge edasimüüja poole.
- Kandke alati sobiva summutusvõimega kuulmiskaitsemeid. Pikaajaline müra võib tekitada püsiva kuulmiskahjustuse.
- Kandke heakskiidetud kaitseprille. Näokaitsme kasutamisel tuleb lisaks kasutada heakskiidetud kaitseprille. Heakskiidetud kaitseprillide all mõeldakse selliseid prille, mis vastavad standardile

ANSI Z87.1 USA-s või EN 166 Euroopa Liidu riikides.



- Vajaduse korral kandke kaitsekindaid, näiteks löikeosa kinnitades, kontrollides või puhastades.



- Kandke vastupidavaid, mittelibisevaid jalatseid.



- Kandke vastupidavast materjalist riideid. Kandke alati pikki raskeid pükse ja pikki varrukaid. Hoiduge liiga avaratest rõvastest, mis võivad okstesse takerduda. Ärge kandke ehteid, lühikesi pükse, lahtiseid jalatseid ega käige paljajalu. Kinnitage juukseid ohutult õlgadest kõrgemale.
- Hoidke esmaabikomplekt käepärast.



## Toote ohutusseedised

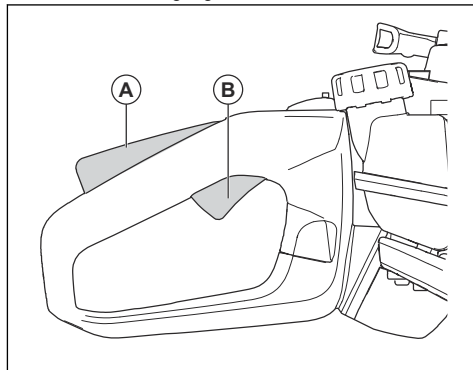


**HOIATUS:** Enne seadme kasutamist lugege läbi järgnevad hoiatused.

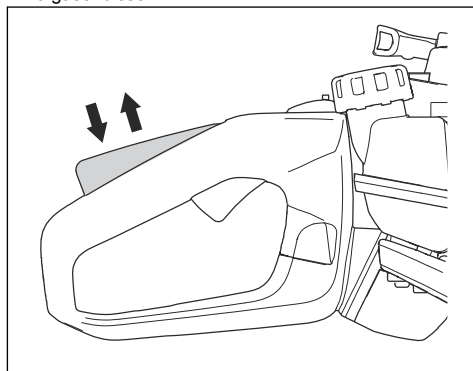
- Ärge kunagi kasutage seadet, kui selle ohutusseedised on defektsed.
- Kontrollige ohutusseediseid regulaarselt. Kui ohutusseedised on defektsed, pöörduge Husqvarna hooldustöökotta.

## Gaasihoovastiku nupu luku kontrollimine

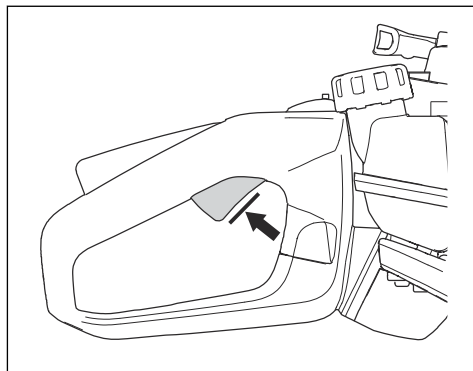
1. Veenduge, et gaasihoovastiku nupu lukustusmutter (A) ja gaasihoovastiku nupp (B) liiguksid takistamatult ning tagastusvedru töötaks korralikult.



2. Vajutage gaasihoovastiku nupu lukk alla ja veenduge, et vabastamisel liiguks see tagasi algasendisse.



3. Veenduge, et gaasihoovastiku nupp lukustus tühikäiguasendis, kui gaasihoovastiku nupu lukk vabastatakse.



- Käivitage seade ja rakendage täisgaas.
- Vabastage gaasihoovastiku nupp ja veenduge, et terad peatuks ja jääks paigale.



**HOIATUS:** Kui gaasihoovastiku nupp paneb tühikäigul terad liikuma, tuleb tühikäigu pöörete arvu seadistada. Vt jaotist *Tühikäigu pöörete arvu reguleerimine lk 117*.

#### Seiskamislüliti kontrollimine

- Käivitage mootor.
- Lükake seiskamislüliti seiskamisasendisse ja veenduge, et mootor seiskuks.



**HOIATUS:** Seiskamislüliti naaseb automaatselt algasendisse. Soovimatu käivitumise vältimiseks eemaldage enne toote kokkupanemise või hooldustööde alustamist süüteküünlka kate.

#### Käekaitse kontrollimine

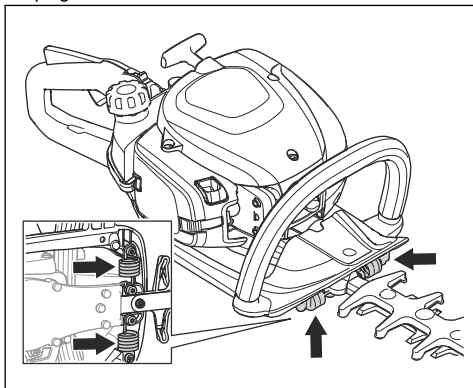
Käekaitse kaitseb käsi vigastuste eest, mida löiketerad põhjustada võivad.

- Seisake mootor.
- Veenduge, et käekaitse oleks õigesti kinnitatud.
- Kontrollige käekaitset kahjustuste suhtes.

#### Vibratsioonisummutussüsteemi kontrollimine

Vibratsioonisummutussüsteem vähendab käepidemete vibratsiooni. Vibratsioonisummutusseadised toimivad eraldajatena seadme korpuse ja käepideme vahel.

- Otsige deformatsioone ja kahjustusi.
- Veenduge, et vibratsioonisummutajad oleks õigesti paigaldatud.



#### Summuti kontrollimine



**HOIATUS:** Ärge kasutage toodet ilma summutita või defektse summutiga. Defektne summuti võib tõsta mürataset ja suurendada tulekahju ohtu. Ärge kasutage toodet ilma sädemepüüduuri restiga või katkise sädemepüüduuri restiga. Kui sädemepüüdurvõrk on kahjustatud, tuleb see välja vahetada.



**HOIATUS:** Summutid muutuvad kasutamise ajal ja pärast kasutamist, samuti tühikäigul, väga kuumaks.



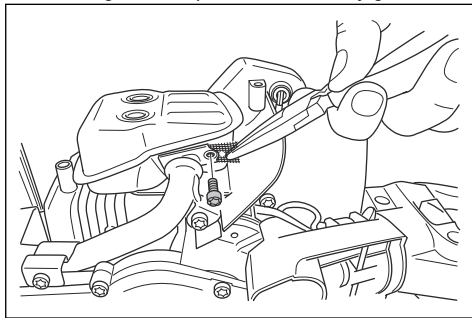
**ETTEVAATUST:** Kui sädemepüüduuri rest ummistub sageli, võib see olla märk sellest, et katalüsaatori jõudlus on vähenenud. Summuti kontrollimiseks võtke ühendust hooldusesindusega. Ummistunud sädemepüüdur põhjustab ülekuumenemist, mille tagajärjeks on silindri ja kolvi kahjustused.



**HOIATUS:** Summuti sisepinnad sisaldavad kemikaale, mis võivad tekitada vähki. Kui summuti on kahjustatud, olge ettevaatlik, et te neid osi ei puudutaks.

Summuti ülesandeks on hoida müratase võimalikult madalal ja suunata heitgaasid kasutajast eemale. Katalüsaatoriga summuti vähendab kahjulike ainete hulka heitgaasides.

- Seisake mootor.
- Otsige kahjustusi ja deformatsioone.
- Veenduge, et summuti oleks õigesti seadme külge kinnitatud.
- Puhastage sädemepüüdurvõrk traatharjaga.



#### Löikeketaste ja löikeketta kaitse kontrollimine

Ketaste välimisel osal on löikeketta kaitse funktsioon. Löikeketta kaitse hoiab ära löikehaavade tekkimise.



1. Seisake mootor ja veenduge, et lõikekera oleks täielikult peatunud.
2. Eemaldage süüteküünla kate süüteküünalt.
3. Pange kätte kaitsekindad.
4. Veenduge, et lõikeketas ja lõikeketta kaitse ei oleks kahjustatud ega väändunud. Vahetage kahjustunud ja paindunud lõikeketas või kahjustunud lõikeketta kaitse alati välja.
5. Veenduge, et lõikeketta ja lõikeketta kaitse kruvid oleksid korralikult kinnitatud.

## Ohutusnõuded kütuse käsitlemisel



**HOIATUS:** Enne seadme kasutamist lugege läbi järgnevad hoiatused.

- Ärge käivitage toodet, kui toote pinnale on sattunud kütust või mootoriõli. Eemaldage kütus/õli toote pinnalt ja laske tootel kuivada.
- Kui kütus satub rõivastele, siis vahetage kohe riideid.
- Vältige kütuse sattumist nahale, see võib põhjustada kehavigastusi. Kui kütus satub kehale, puhastage piirkond seebi ja veega.
- Ärge käivitage toodet, kui mootor lekib. Kontrollige regulaarselt mootori lekkekindlust.
- Olge kütuse käsitlemisel ettevaatlik. Kütus on tuleohtlik ja kütuse aurud on plahvatusohtlikud ning võivad põhjustada kehavigastusi või surma.
- Ärge hingake sisse kütuseaure, see võib põhjustada kehavigastuse. Tagage piisav õhuvahetus.
- Ärge suitsetage kütuse ega mootori läheduses.
- Ärge asetage kuumi esemeid kütuse ega mootori lähedusse.
- Ärge tankige kütust, kui mootor töötab.
- Enne tankimise alustamist veenduge, et mootor oleks külm.
- Enne tankimise alustamist avage aeglaselt kütusepaagi kork ja laske survel alaneda.
- Ärge tankige mootorit siseruumis. Ebapiisav õhuvahetus võib põhjustada lämbumisest või

vingugaasimürgistusest tingitud kehavigastuse või surma.

- Pingutage kütusepaagi korki korralikult. Pingutamata kütusepaagi kork põhjustab tuleohtu.
- Enne käivitamist viige toode vähemalt 3 m kaugusele kohast, kus toimus kütusepaagi täitmine.
- Ärge täitke kütusepaaki täielikult. Soojuse mõjul kütus paisub. Jätke kütusepaagi ülaserava vaba ruumi.

## Ohutusjuhised hooldamisel



**HOIATUS:** Enne seadme kasutamist lugege läbi järgnevad hoiatused.

- Seisake mootor ja veenduge, et lõikeosa oleks täielikult peatunud. Enne hooldustööde alustamist laske seadmel maha jahtuda.
- Enne hooldamist ühendage lahti süüteküünla kate.
- Mootori heitgaasid sisaldavad vingugaasi: lõhnatud, mürgist ja väga ohtlikku gaasi, mis võib põhjustada surma. Ärge laske seadmel töötada siseruumis või väikesel suletud alal.
- Mootori heitgaasid on kuuma ja võivad sisaldada sädemeid. Ärge käivitage toodet siseruumis ega tuleohtlike materjalide ligidal.
- Tootja heakskiiduta tarvikud ja muudatused toote juurest võivad põhjustada tõsiseid kehavigastusi või surma. Ärge muutke toodet. Kasutage alati originaalilisatarkivid.
- Kui seadet regulaarselt ja õigesti ei hooldata, suureneb oht, et seade saab kahjustada ja võib kedagi vigastada.
- Hooldage toodet ainult nii, nagu selles kasutusjuhendis soovitatakse. Laske kõik muud hooldustööd teha Husqvarna heakskiidetud hooldustöökojas.
- Laske toodet regulaarselt hooldada Husqvarna heakskiidud hooldustöökojas.
- Asendage kahjustatud, kulunud ja katkised osad.

## Töö

### Sissejuhatus



**HOIATUS:** Enne toote kasutamist lugege läbi ohutuspeatükk ja veenduge, et oleksite kõigest aru saanud.

### Kütus

Tootel on kahetaktiline mootor.



**ETTEVAATUST:** Vale kütuse kasutamine võib mootorit kahjustada. Kasutage bensiini ja kahetaktiõli segu.

### Eelsegatud kütus

- Parima jõudluse saavutamiseks ja mootori tööea pikendamiseks kasutage Husqvarna eelsegatud alkülaatkütust. See kütus sisaldab tavalise kütusega võrreldes vähem kahjulikke kemikaale, mis omakorda vähendab kahjulikke heitgaase. Selle kütuse korral on põlemisjääkide hulk väiksem ja see aitab hoida mootoriosad puhtamana.

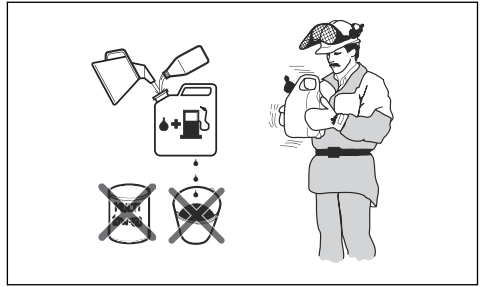
## Kütuse segamine

### Bensiin

- Kasutage kvaliteetset kuni 10% etanoolisisaldusega pliivaba bensiini.



**ETTEVAATUST:** Ärge kasutage bensiini, mille oktaaniarv on alla 90 RON (87 AKI). Madalama oktaaniarvuga bensiini kasutamine võib põhjustada mootori klõppimist, mis omakorda kahjustab mootorit.



- Valage puhtasse kütusenõusse pool bensiinikogusest.
- Valage nõusse kogu vajaminev õlikogus.
- Segage kütusesegu.
- Lisage nõusse ülejäänud bensiinikogus.
- Segage kütusesegu hoolikalt.

### Kahetaktiõli

- Parimate tulemuste ja jõudluse saavutamiseks kasutage Husqvarna kahetaktiõli.
- Kui Husqvarna kahetaktiõli pole saadaval, kasutage õhkjahutusega mootoritele mõeldud kvaliteetset kahetaktiõli. Õige õli valimiseks pöörduge hooldusesindusse.



**ETTEVAATUST:** Ärge kasutage vesijahutusega püramootoritele mõeldud kahetaktiõli, mida tuntakse ka paadimootoriõlina. Ärge kasutage neljatakimootori õlisid.



**ETTEVAATUST:** Ärge segage kütust korraga rohkem, kui on teie ühe kuu varu.

### Kütusepaagi täitmine

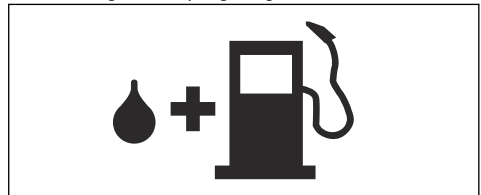
### Bensiini ja kahetaktiõli segamine

Bensiin, l	Kahetaktiõli, l
	<b>2% (50:1)</b>
5	0,10
10	0,20
15	0,30
20	0,40



**HOIATUS:** Ohutuse tagamiseks järgige tegevusjuhiseid.

- Seisake mootor ja laske mootoril maha jahtuda.
- Puhastage kütusepaagi korgi ümbrus.



- Loksutage kütusenõu veendumaks, et kütus on täielikult segunenud.
- Surve vabastamiseks avage kütusepaagi kork aeglaselt.
- Täitke kütusepaak.



**ETTEVAATUST:** Väikeste kütusekoguste segamisel võib väike viga segusuhet oluliselt mõjutada. Mõõte segatava õli kogus väga täpselt ja veenduge, et segu oleks õige.



**ETTEVAATUST:** Veenduge, et paagis ei ole liiga palju kütust. Kuumenedes kütus paisub.

- Pingutage kütusepaagi korki korralikult.
- Eemaldage mahavalgunud kütus tootelt ja selle ümbrusest.
- Enne mootori käivitamist viige seade tankimiskohast ja kütusenõust vähemalt kolme meetri kaugusele.

**Märkus:** Kütusepaagi asukoha leidmiseks oma seadmel vt *Seadme tutvustus lk 108*.

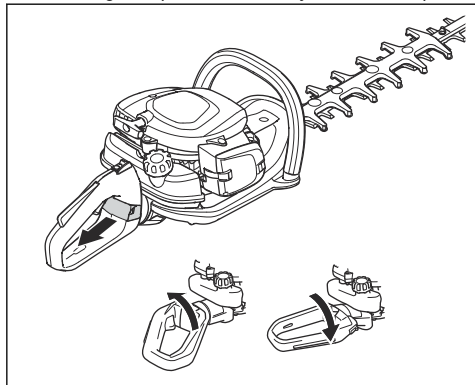
## Lõikeketta otsakaitse paigaldamine

1. Eemaldage lõiketera otsakaitse mutter ja polt.
2. Paigaldage lõiketera otsakaitse lõiketera otsale.
3. Paigaldage polt ja pingutage see momendini 7 Nm.
4. Paigaldage mutter ja pingutage see momendini 5 Nm.

## Käepideme reguleerimine

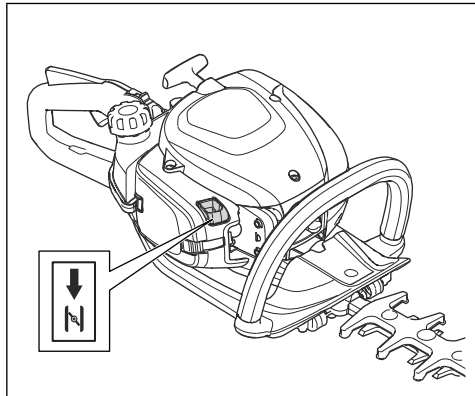
Tagumise käepideme saab seada 3 erinevasse asendisse.

- Vabastage käepideme lukustus ja keerake käepidet.



## Külma mootoriga toote käivitamine

1. Tõmmake õhuklapp õhuklapi asendisse.



2. Vajutage kütusepumpa umbes 6 korda või kuni pump hakkab kütusega täituma. Kütusepumba kuppel ei pea kütusega täituma.
3. Suruge toote korpus vasaku käega vastu maad. Ärge astuge tootele.

4. Tõmmake käivitusnööri käepidet aeglaselt parema käega, kuni tunnete kergest takistust, seejärel tõmmake käivitusnööri käepidet järsult ja jõuga.



**HOIATUS:** Käivitusnööri ei tohi kerida kää ümber.



**ETTEVAATUST:** Ärge tõmmake käivitusnööri lõpuni välja ja ärge laske käivitusnööri käest lahti.

5. Jätka käivitusnööri käepideme tõmbamist, kuni mootor käivitub, ja seejärel lükake õhuklapp algasendisse.



**HOIATUS:** Lõiketerad liiguvad, kui mootor käivitub.

6. Tõmmake käivitusnööri käepidet seni, kuni mootor käivitub.
7. Lükake ja vabastage gaasihoovastiku nupp, et seada mootor tühikäigule.
8. Mootori kiiruse suurendamiseks vajutage gaasihoovastiku nuppu järk-järgult.
9. Veenduge, et mootor töötab sujuvalt.

## Sooja mootoriga toote käivitamine

1. Suruge toote korpus vasaku käega vastu maad. Ärge astuge tootele.
2. Tõmmake käivitusnööri käepidet aeglaselt parema käega, kuni tunnete kergest takistust, seejärel tõmmake käivitusnööri käepidet järsult ja jõuga. Jätka, kuni mootor käivitub.

**Märkus:** Lisateavet toote käivitamise kohta leiab jaotisest *Külma mootoriga toote käivitamine lk 115*.

## Toote seiskamine

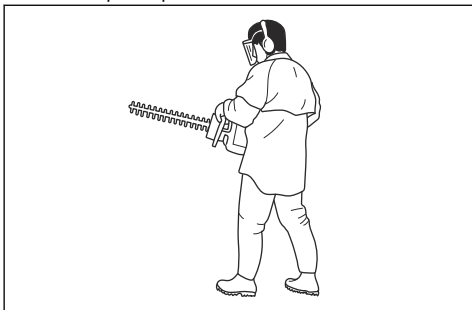
- Mootori seiskamiseks viige seiskamislüliti stoppasendisse.



**ETTEVAATUST:** Seiskamislüliti naaseb automaatselt tööasendisse.

## Toote kasutamine

1. Kui lõikate heki külgi, alustage maapinna lähedalt ja liigutage toodet mööda hekki ülespoole. Jälgige, et toote korpus ei puudutaks hekki.



**HOIATUS:** Jälgige, et lõikeosa ots ei puudutaks maad.

2. Reguleerige kiirust vastavalt töökoormusele.
3. Stabiilse tööasendi hoidmiseks hoidke toodet keha lähedal.
4. Olge ettevaatlik ja käituge toodet aeglaselt.

## Hooldamine

### Sissejuhatus



**HOIATUS:** Enne seadme hooldamist lugege läbi ohutuspeatükk ja veenduge, et see oleks teile täielikult arusaadav.

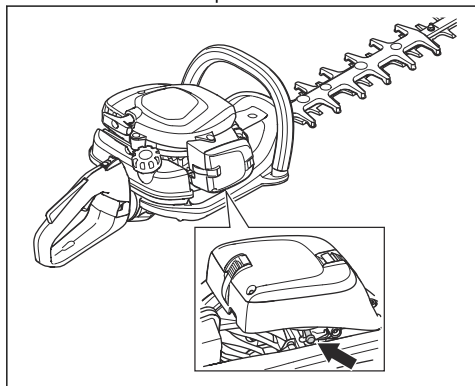
### Hoolduskeem

Hooldamine	Enne kasutamist	40 tunni pärast	100 tunni pärast
Puhastage välispinnad.		Pärast iga kasutamist.	
Puhastage summuti, väljalasketoru ja mootor lehtedest, mustusest ja liigsest määrdest.		Pärast iga kasutamist.	
Veenduge, et lõikeosa ei liiguks tühikäigul.	X		
Kontrollige seiskamisülilit.	X		
Kontrollige, et lõikeosal ega lõikeosa kaitsel ei oleks kahjustusi või mõrasid. Kahjustuste leidmise korral vahetage välja.	X		
Kontrollige käekaitset kahjustuste ja mõrade suhtes. Kahjustuste leidmise korral vahetage välja.	X		
Kontrollige gaasihoovastiku nupu lukustit ja gaasihoovastiku nuppu.	X		
Kontrollige, et mootorist, kütusepaagist ega kütusetorudest ei lekiks kütust.	X		
Keerake kinni mutrid ja poldid.	X		
Kontrollige, kas kütusefilter on puhas ja kütusevoolik terve. Vajaduse korral vahetage välja.	X		
Kontrollige, kas starter ja käivitusnõõr on terved.		X	
Puhastage õhufilter. Vajaduse korral vahetage välja.		X	
Kontrollige vibratsioonisummutusosi kahjustuste ja mõrade suhtes.		X	

Hooldamine	Enne kasutamist	40 tunni pärast	100 tunni pärast
Kontrollige süüteküünalt, vt jaotist <i>Süüteküünla kontrollimine lk 117</i> .		X	
Puhastage jahutussüsteem.		X	
Puhastage karburaatori välispind ja selle ümbrus.		X	
Puhastage või vahetage välja sädemepüüdja võrk.			X
Puhastage kütusepaak seest.			X
Kontrollige süüteküünalt.			X
Veenduge, et ülekannet on määrdega täidetud.			X

## Tühikäigu pöörete arvu reguleerimine

1. Puhastage õhufilter ja õhufiltri kate.
2. Käivitage seade, vt jaotist *Külma mootoriga toote käivitamine lk 115*.
3. Keerake tühikäigu reguleerimiskruvi T päripäeva, kuni löikeosa hakkab pöörlema.



4. Keerake tühikäigu reguleerimiskruvi vastupäeva, kuni löikeosa peatub.



**HOIATUS:** Kui löikeosa tühikäigu pöörlemisageduse reguleerimisel ei seisku, pöörduge lähima hoolduse poole. Ärge kasutage seadet enne, kui see on korralikult reguleeritud või parandatud.

**Märkus:** Tühikäigu pöörete arv on õige siis, kui mootor töötab igas asendis ühtlaselt. Teavet soovitatava tühikäigu pöörete arvu kohta vt jaotisest *Tehnilised andmed lk 119*.

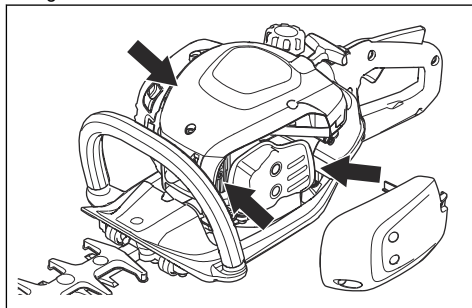
## Jahutussüsteemi puhastamine

Jahutussüsteem hoiab mootori temperatuuri madalana. Jahutussüsteem koosneb silindri jahutusribidest ja käivitist.



**ETTEVAATUST:** Õhuvõtuava kütusepaagi ja karterivahel võib lehtede tõttu ummistuda. Puhastage õhuvõtuava täielikult.

1. Puhastage jahutussüsteemi harjaga kord nädalas, vajaduse korral tihedamini.
2. Veenduge, et jahutussüsteem poleks määrduanud ega ummistunud.



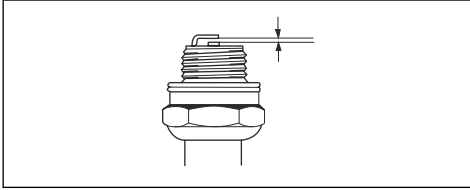
## Süüteküünla kontrollimine



**ETTEVAATUST:** Kasutage alati soovitatud tüüpi süüteküünalt. Vale tüüpi süüteküünal võib toodet kahjustada.

- Kontrollige süüteküünalt, kui mootori võimsus on madal, mootor ei käivitu kergesti või ei tööta tühikäigul korralikult.
- Süüteküünla elektroodidele võõrainete kogunemise ohu vähendamiseks täitke järgmisi juhiseid.
  - a) Veenduge, et tühikäigu pöörete arv on õigesti seadistatud.
  - b) Veenduge, et kütusesegu oleks õige.
  - c) Veenduge, et õhufilter oleks puhas.

- Kui süüteküünal on määrdunud, puhastage see ja kontrollige, kas elektroodide vahe on õige, vt jaotist *Tehnilised andmed lk 119*.

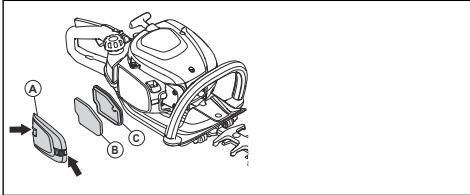


- Vajaduse korral vahetage süüteküünal välja.

## Õhufiltri puhastamine

Puhastage õhufiltrit regulaarselt mustusest ja tolmust. See hoiab ära karburaatori rikkeid, käivitusprobleeme, mootori võimsuse kadu, mootoriosade kulumist ja tavapärasest suuremat kütusekulu.

1. Eemaldage õhufiltri kate (A).
2. Eemaldage vahtplastist filter (B) ja vildist filter (C) filtriraamist.



3. Vahetage välja vildist filter (C).
4. Puhastage vahtplastist filter (B) sooja seebiveega.

**Märkus:** Pikemat aega kasutatud õhufiltrit ei saa enam täiesti puhtaks. Vahetage õhufiltrit regulaarselt, vigane õhufilter vahetage alati välja.

5. Veenduge, et vahtplastist filter (B) oleks kuiv.
6. Kandke õhufiltri õli vahtplastist filtrile (B). Vt jaotist *Õli kandmine õhufiltrile lk 118*
7. Puhastage õhufiltri katte (A) sisepind. Kasutage suruõhku või harja.

## Õli kandmine õhufiltrile



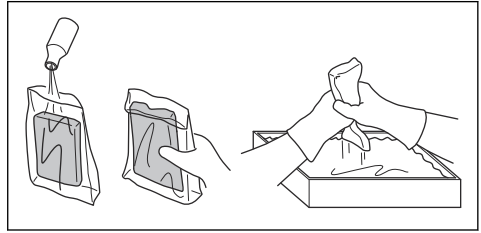
**ETTEVAATUST:** Kasutage alati spetsiaalset Husqvarna õhufiltriõli. Ärge kasutage teist tüüpi õlisid.



**HOIATUS:** Pange kätte kaitsekindad. Õhufiltri õli võib põhjustada nahaärritust.

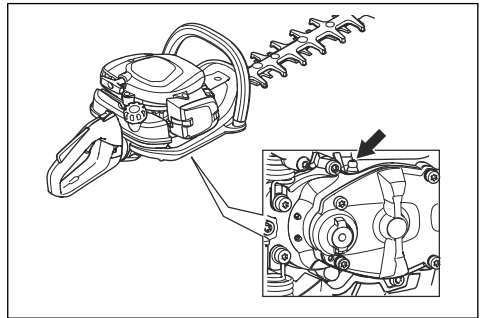
1. Asetage õhufilter kilekotti.
2. Asetage õli kilekotti.
3. Vajutage kilekotti, et õli kanduks ühtlaselt kogu õhufiltrile.

4. Suruge liigne õli õhufiltrist välja, kui see on veel kilekotis.



## Ülekande puhastamine

- Kasutage Husqvarna spetsiaalset määret. Soovitatud määre kohta lisateabe saamiseks võtke ühendust hooldusesindajaga.
- Lisage määret läbi määrenipli.



**ETTEVAATUST:** Ärge täitke ülekannet täielikult.

## Lõiketerade puhastamine ja määrimine

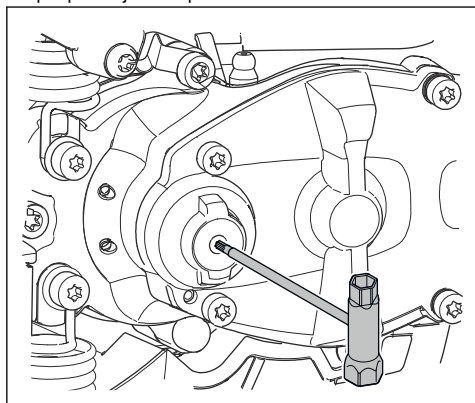
1. Puhastage lõiketerad enne ja pärast toote kasutamist soovimatust materjalist.
2. Enne pikaks ajaks hoiulepanekut määrige lõiketerasid.

**Märkus:** Soovitatud puhastusvahendite ja määrete kohta lisateabe saamiseks võtke ühendust hooldusesindajaga.

## Lõiketerade kontrollimine

1. Eemaldage ülekande kork.

2. Veenduge, et lõiketerad saavad vabalt liikuda. Pange lehtsilmusvõti ülekanndesse ning keerake päripäeva ja vastupäeva.



3. Kontrollige lõiketerade servasid kahjustuste ja deformatsiooni suhtes.
4. Eemaldage viiliga lõiketeradelt kraadid.

## Transportimine, hoiupepanek ja utiliseerimine

### Transportimine ja hoiustamine

- Enne toote hoiukohta panekut laske sellel alati jahtuda.
- Toote ja kütuse transportimisel ning hoiustamisel veenduge, et puuduvad leked ja aarud. Elektriseadmetest või boileritest pärit sädemed ja lahtine leek võivad põhjustada tulekahju.
- Kütuse transportimiseks ja hoiustamiseks kasutage heakskiidetud mahuteid.
- Enne transportimist või pikemaks ajaks hoiupepanemist tühjendage kütusepaak. Kõrvaldage kütus spetsiaalses jäätmejaamas.
- Transpordi ja hoiupepaneku ajaks kinnitage transportkaitse.
- Eemaldage süüteküünla kate süüteküünlalt.
- Kinnitage seade transpordi ajaks. Veenduge, et see ei pääseks liikuma.
- Enne pikaks ajaks hoiupepanekut puhastage ja hooldage toode.

## Tehnilised andmed

### Tehnilised andmed

	522HD60X	522HDR60X	522HDR75X
<b>Mootor</b>			
Silindrimaht, cm <sup>3</sup>	21,7	21,7	21,7
Tühikäigu pöörete arv, p/min	3000	3000	3000
Soovituslik suurim pöörete arv, p/min	9200	9200	9200
Mootori max võimsus ISO 8893 järgi, kW/hj @ p/min	0,6/0,8 @ 7800	0,6/0,8 @ 7800	0,6/0,8 @ 7800
Katalüsaatoriga summuti	Jah	Jah	Jah
<b>Süütesüsteem</b>			
Süüteküünal	NGK CMR6A	NGK CMR6A	NGK CMR6A

	<b>522HD60X</b>	<b>522HDR60X</b>	<b>522HDR75X</b>
Elektroodide vahe, mm	0,5	0,5	0,5
<b>Kütus</b>			
Kütusepaagi maht, l/cm <sup>3</sup>	0,45/450	0,45/450	0,45/450
<b>Mass</b>			
Kaal ilma kütuseta, kg	4,9	5,0	5,2
<b>Müratasemed</b> <sup>22</sup>			
Helitugevuse tase, dB(A)	101	101	101
Müravõimsustase, garanteeritud L <sub>WA</sub> dB(A)	102	102	102
<b>Müratase</b> <sup>23</sup>			
Ekvivalentne mürarõhutase kasutaja kõrva juures, mõõdetud EN ISO 10517 järgi, dB(A):	93	93	93
<b>Vibratsioonitase</b> <sup>24</sup>			
EN ISO 10517 järgi mõõdetud käepidemete ekvivalentsed vibratsioonitasemed (a <sub>hv,eq</sub> ), m/s <sup>2</sup>			
Ees/taga, mm/s <sup>2</sup>	2,7/1,2	2,8/1,3	2,1/2.2
<b>Terad</b>			
Tüüp	Kahepoolne	Kahepoolne	Kahepoolne
Lõikamis pikkus, mm	600	600	750
Lõikamiskiirus, lõiget/min	4400	3200	3200

<sup>22</sup> Müraemissioon ümbritsevasse keskkonda, mõõdetud helivõimsuse tasemena (L<sub>WA</sub>) vastavalt EÜ direktiivile 2000/14/EÜ. Toote antud müratase mõõdeti enim müra tekitava originaalsaagimisseadme kasutamisel. Eri-nevus garanteeritud ja mõõdetud helivõimsustaseme vahel seisneb selles, et direktiivi 2000/14/EÜ alusel hõlmab garanteeritud helivõimsustase ka mõõtmistulemuste dispersiooni ja kõrvalekaldeid sama mudeli erinevate toodete vahel.

<sup>23</sup> Müra rõhutase kohta toodud andmete statistiline dispersioon (standardhälve) on 1 dB(A).

<sup>24</sup> Vibratsioonitase kohta toodud andmete tüüpiline statistiline dispersioon (standardhälve) on 1 m/s<sup>2</sup>.



# Vastavusdeklaratsioon

## EÜ vastavusdeklaratsioon

Husqvarna AB, SE-561 82 Huskvarna, Rootsi, tel: +46  
3614 6500, kinnitab ainuvastutusel, et toode:

<b>Kirjeldus</b>	Hekilõikur
<b>Kaubamärk</b>	Husqvarna
<b>Tüüp/mudel</b>	522HD60X, 522HDR60X, 522HDR75X
<b>Identifitseerimine</b>	Seerianumbrid alates 2022. aastast

vastab täielikult järgmistele EÜ direktiividele ja määrustele:

Määrus	Kirjeldus
2006/42/EÜ	„masinadirektiiv“
2014/30/EL	„elektromagnetilise ühilduvuse direktiiv“
2000/14/EÜ	„seadmete müra kohta käiv direktiiv“
2011/65/EL	„elektri- ja elektroonikaseadmetes teatavate ohtlike ainete kasutamise piiramise direktiiv“

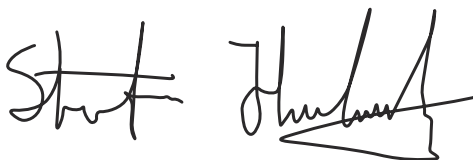
ja et kohalduvad järgmised standardid ja/või tehnilised spetsifikatsioonid: EN ISO 12100:2021, CISPR 12: 2009, EN ISO 10517:2009/A1:2013, EN IEC 63000:2018.

RISE SMP Svensk Maskinprovning AB, on teinud Husqvarna AB tellimisel vabatahtliku tüübihindamise. Sertifikaadi number: SEC/18/2518.

RISE SMP Svensk Maskinprovning AB, on kinnitanud vastavuse nõukogu müradirektiiviga 2000/14/EÜ (8. mai 2000). Sertifikaadinumbrid: 01/094/026-522HD60X, 01/094/027-522HDR60X, 522HDR75X.

Lisateavet mürataseme kohta vt *Tehnilised andmed lk 119*.

Huskvarna, 2022-05-09



Stefan Holmberg, uurimis- ja arendustegevuse juht,  
tehnoloogiahaldus, Husqvarna AB

Tehnilise dokumentatsiooni eest vastutaja

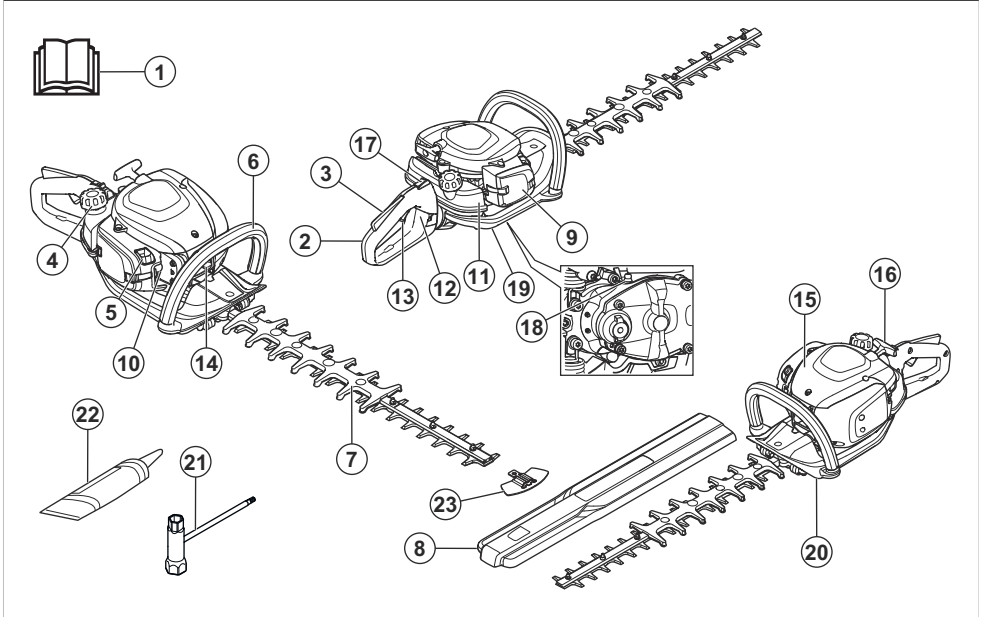


## Sisälllys

Johdanto.....	122	Kuljettaminen, säilyttäminen ja hävittäminen.....	133
Turvallisuus.....	123	Tekniset tiedot.....	133
Käyttö.....	128	Vaatumusten mukaisuusvakuutus.....	135
Huolto.....	130		

## Johdanto

### Laitteen kuvaus



1. Käyttöohjekirja
2. Takakahva
3. Turvaliipaisimen varmistin
4. Polttoainesäiliön korkki
5. Rikastimen ohjain
6. Etukahva
7. Terä ja teränsuojus
8. Kuljetussuojus
9. Ilmansuodattimen kansi
10. Polttoaineen ilmauspumppu
11. Polttoainesäiliö
12. Kahvan lukitus
13. Turvaliipaisin
14. Sytytystulpan suojus ja sytytystulppa
15. Sylinterin kotelo
16. Käynnistysnarun kahva
17. Pysäytin
18. Voitelunippa
19. Vaihde
20. Kädensuojus
21. Yhdistelmäavain
22. Rasvaputki
23. Terän kärkisuojus

### Tuotekuvaus

Laitte on polttomoottorilla toimiva pensasleikkuri.

### Käyttötarkoitus

Käytä laitetta oksien ja risujen katkaisuun. Älä käytä laitetta muihin tehtäviin.

## Laitteen symbolit



Pysähdy.



Ole varovainen ja käytä laitetta oikein. Tämä laite voi aiheuttaa käyttäjälle tai sivullisille vakavia vammoja tai kuoleman.



Lue käyttöohje huolellisesti ja varmista, että ymmärrät sen sisällön, ennen kuin alat käyttää laitetta.



Käytä hyväksytyjä kuulonsuojaimia ja suojalaseja.



Käytä hyväksytyjä suojakäsineitä.



Käytä kestäviä luistamattomia jalkineita.

# T

Joutokäynnin säätöruuvi.

# H

Suurkierrosneula.

# L

Matalakierrosneula.



Melupäästöt ympäristöön eurooppalaisen direktiivin 2000/14/EY ja Uuden Etelä-Walesin lainsäädännön Protection of the Environment Operations (Noise Control) Regulation 2017 -asetuksen mukaisesti. Melupäästötiedot ilmoitetaan koneen arvokilvessä ja luvussa Tekniset tiedot.

# CE

Laitte täyttää voimassa olevien EY-direktiivien vaatimukset.

# UKCA

Tämä tuote täyttää sovellettavien UK-säädösten vaatimukset.

yyyywwxxxx

Tyypikilvessä näkyy sarjanumero, jossa **yyyy** on valmistusvuosi ja **ww** on valmistusviikko.

**Huomaus:** Muita laitteen symboleita/tarroja tarvitaan joillakin markkina-alueilla ilmaisemaan sertifiointivaatimuksia.

## Euro V -päästöt



**VAROITUS:** Moottorin muokkaaminen mitätöi tuotteen EU-tyyppihyväksynnän.

## Turvallisuus

### Turvallisuusmääritelmät

Varoituksia, huomioita ja huomautuksia käytetään, kun jotakin käyttöohjeen osaa halutaan erityisesti korostaa.



**VAROITUS:** Tätä käytetään, jos käyttöohjeen noudattamatta jättämisestä voi seurata käyttäjän tai sivullisen vamma tai kuolema.



**HUOMAUTUS:** Tätä käytetään, jos käyttöohjeen noudattamatta jättämisestä voi seurata koneen, muiden materiaalien tai ympäristön vaurioituminen.

**Huomaus:** Tätä käytetään tietyissä tilanteissa tarvittavien lisätietojen antamiseen.

### Yleiset turvaohjeet



**VAROITUS:** Lue seuraavat varoitusohjeet ennen laitteen käyttämistä.

- Laite voi virheellisesti tai huolimattomasti käytettynä olla vaarallinen työväline, joka voi aiheuttaa vakavan tai jopa hengenvaarallisen tapaturman. On erittäin tärkeää, että luet ja ymmärrät tämän käyttöohjeen sisällön.
- Laite muodostaa käytön aikana sähkömagneettisen kentän. Kenttä saattaa joissakin olosuhteissa

häiritä aktiivisten tai passiivisten lääketieteellisten implanttien toimintaa. Vakavien tai hengenvaarallisten tapaturmien ehkäisemiseksi kehotamme lääketieteellisiä implantteja käyttäviä henkilöitä neuvottelemaan lääkärin ja lääketieteellisen implantin valmistajan kanssa ennen laitteen käyttämistä.

- Liiallinen altistuminen tärinöille saattaa aiheuttaa verisuoni- tai hermovaurioita verenkiertohäiriöistä kärsiville henkilöille. Hakeudu lääkäriin, jos havaitset oireita, jotka voivat liittyä liialliseen tärinöille altistumiseen. Esimerkkejä tällaisista oireista ovat puutuminen, tunnottomuus, kutina, pistely, kipu, voimattomuus tai heikkous sekä ihon värin tai pinnan muutokset. Näitä oireita esiintyy tavallisesti sormissa, käsissä tai ranteissa. Nämä vaarat voivat kasvaa alhaisissa lämpötiloissa.
- Jos käytön jatkaminen tuntuu epävarmalta, kysy neuvoa asiantuntijalta. Käännä jälleennympyjäsi tai huoltoliikkeesi puoleen. Älä tee mitään sellaista, mihin et katso taitosi riittävän.
- Muista, että käyttäjä on vastuussa muille ihmisille tai heidän omaisuudelleen aiheutuneista vahingoista tai niitä uhkaavista vaaroista.
- Älä koskaan anna kenenkään käyttää laitetta varmistamatta ensin, että käyttäjä on ymmärtänyt käyttöohjeen sisällön.
- Älä anna koskaan lasten käyttää laitetta tai oleskella sen läheisyydessä. Koska laitteessa on jousipalautteinen pysäytyskytkin ja se voidaan käynnistää käynnistyskahvasta alhaisella nopeudella ja voimalla, myös pienten lasten voima voi tietyissä olosuhteissa riittää laitteen käynnistämiseen. Tämä voi johtaa vakaviin henkilövahinkoihin. Irrota sen vuoksi sytytystulpan suojus aina, kun laite on ilman valvontaa.
- Säilytä laite lasten ulottumattomissa.
- Älä koskaan käytä laitetta, jos olet väsynyt tai nauttinut alkoholia tai lääkkeitä, jotka voivat vaikuttaa näkökykyysi, harkintakykyysi tai kehosi hallintaan.
- Älä koskaan käytä viallista laitetta. Noudata tässä käyttöohjeessa annettuja kunnossapito-, tarkastus- ja huolto-ohjeita. Tietyt kunnossapito- ja huoltotyöt on annettava koulutettujen ja pätevien asiantuntijoiden tehtäviksi. Lisätietoja on kohdassa Kunnossapito.
- Älä koskaan käytä laitetta, jota on muutettu niin, ettei sen rakenne enää ole alkuperäinen.

## Turvallisuusohjeet käyttöä varten



**VAROITUS:** Lue seuraavat varoitusohjeet ennen laitteen käyttämistä.

- Älä koskaan käytä laitetta äärimmäisissä ilmastolosuhteissa, kuten kovassa pakkasessa tai erittäin lämpimässä ja/tai kosteassa ilmastossa.
- Virheelliset terät voivat lisätä onnettomuuksien vaaraa.

- Pidä sivulliset vähintään 15 metrin päässä laitteesta työn aikana.
- Tarkkaile ympäristöä ja varmista, ettei terälaitte pääse osumaan ihmisiin tai eläimiin.
- Tarkasta työskentelyalue. Poista kaikki esineet, jotka voivat sinkoutua ilmaan.
- Varmista, että seisot turvallisessa ja tukevassa työskentelyasennossa.
- Älä koskaan jätä laitetta ilman valvontaa moottorin käydessä.
- Huolehdi, etteivät kädet ja jalat koske leikkuulaitteeseen, kun moottori on käynnissä.
- Jos teriin tarttuu jotakin työskentelyn aikana, sammuta moottori ja odota, että se pysähtyy kokonaan, ennen kuin alat puhdistaa teriä. Irrota sytytysjohto sytytystulpasta. Katso kohta *Terien tarkistaminen sivulla 133*.
- Kun moottori on pysäytetty, pidä kädet ja jalat etäällä leikkuulaitteesta, kunnes se on täysin pysähtynyt.
- Varo oksanpätkiä, joita voi sinkoutua ilmaan leikkuun aikana.
- Tarkkaile aina varoitussignaaleja ja -huutoja kuulonsuojaimia käytettäessä. Riisu kuulonsuojaimet välittömästi moottorin pysäytyksen jälkeen.
- Älä koskaan työskentele tikkailla tai muulta huonosti kiinnitetyltä korkealta paikalta.
- Pidä laitteesta aina molemmin käsin kiinni. Pidä laite edessäsi.
- Jos laite osuu johonkin esineeseen tai alkaa täristä, pysäytä laite välittömästi. Irrota sytytysjohto sytytystulpasta. Tarkasta, onko laite vaurioitunut. Korjaa mahdolliset vauriot.
- Ehkäise sähköiskuja varmistamalla, sytytystulppa ja sytytysjohdin ovat vahingoittumattomat.
- Tarkista, että kaikki mutterit ja ruuvit on kiristetty.
- Varmista, että vaihde on voideltu riittävästi. Katso *Vaihteen vaihtelemisen sivulla 132*.
- Vaihde kuumentaa laitetta käytettäessä. Älä koske vaihteeseen, sillä se aiheuttaa palovammoja.
- Kaikkien koteloiden ja suojusten on oltava asennettuina ennen käynnistystä.
- Kuljetussuojus on aina asetettava leikkuulaitteeseen, kun laitetta ei käytetä.

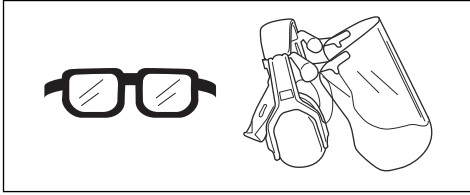
## Henkilökohtainen suojavarustus



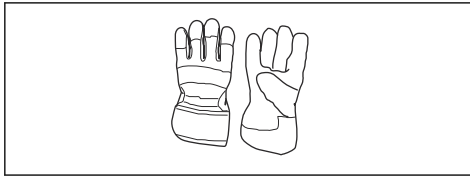
**VAROITUS:** Lue seuraavat varoitusohjeet ennen koneen käyttämistä.

- Käytä aina hyväksytyjä henkilökohtaisia suojavarusteita, kun käytät laitetta. Henkilökohtaiset suojavarusteet eivät poista tapaturmien vaaraa, mutta ne lieventävät vammoja onnettomuusilanteessa. Anna jälleennympyjän auttaa oikeiden varusteiden valinnassa.
- Käytä riittävän tehokkaasti vaimentavia hyväksytyjä kuulonsuojaimia. Pitkäaikainen altistuminen melulle saattaa aiheuttaa pysyviä kuulovammoja.

- Käytä hyväksytyjä silmäsuojaimia. Visiiriä käytettäessä on käytettävä myös hyväksytyjä suojalaseja. Hyväksytyillä suojalaseilla tarkoitetaan laseja, jotka täyttävät standardin ANSI Z87.1 (Yhdysvallat) tai EN 166 (EU-maat) vaatimukset.



- Käytä käsiineitä tarvittaessa esimerkiksi terävarustuksen asennuksen, tarkastuksen ja puhdistuksen aikana.



- Käytä luistamattomia ja tukevia saappaita tai kenkiä.



- Käytä lujasta materiaalista valmistettuja vaatteita. Käytä aina vahvakankaisia pitkiä housuja ja pitkähihaista takkia. Vältä liian löysiä vaatteita, jotka tarttuvat helposti risuihin ja oksiin. Älä pidä koruja, shortseja tai sandaaleja. Älä myöskään kulje paljain jaloin. Sido hiukset turvallisesti olkapäiden yläpuolelle.
- Pidä ensiaputarvikkeet helposti saatavilla.



## Tuotteen turvalaitteet



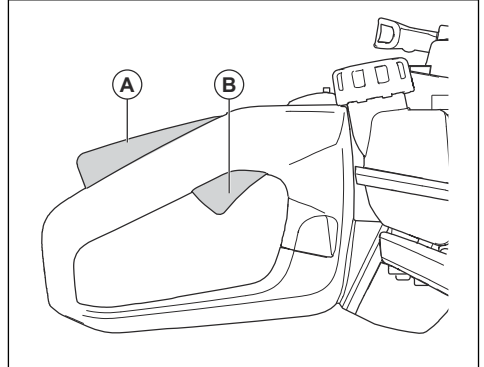
**VAROITUS:** Lue seuraavat varoitusohjeet ennen laitteen käyttämistä.

- Älä käytä laitetta, jos jokin sen turvalaitteista on rikki.

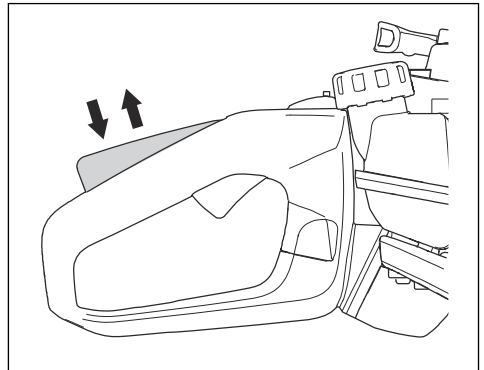
- Tarkasta turvalaitteet säännöllisesti. Jos turvalaitteissa on vikoja, ota yhteyttä Husqvarna-huoltoilikkeeseen.

## Turvaliipaisimen varmistimen tarkistaminen

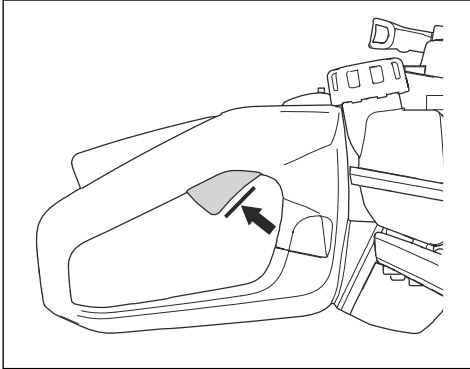
1. Tarkista, että turvaliipaisimen varmistin (A) ja turvaliipaisin (B) liikkuvat vapaasti ja että palautusjousi toimii oikein.



2. Paina turvaliipaisimen varmistin alas ja varmista, että se palautuu vapautettaessa lähtöasentoonsa.



3. Tarkista, että turvaliipaisin on lukittu joutokäyntiasentoon, kun turvaliipaisimen varmistin vapautetaan.



4. Käynnistä laite ja käytä sitä täydellä kaasulla.  
5. Vapauta turvaliipaisin ja tarkista, että terät pysähtyvät ja jäävät paikoilleen.



**VAROITUS:** Jos terät liikkuvat kaasuliipaisimen ollessa joutokäyntiasennossa, on kaasuttimen joutokäyntiä säädettävä. Katso *Joutokäyntinopeuden säätö sivulla 131.*

#### Pysäyttimen tarkistaminen

1. Käynnistä moottori.  
2. Siirrä pysäytin pysäytysasentoon ja varmista, että moottori sammuu.



**VAROITUS:** Pysäytin palaa automaattisesti käynnistysasentoon. Estä tahaton käynnistys irrottamalla sytytystulpan suojuus sytytystulpasta asennuksen tai huollon ajaksi.

#### Kädensuojuksen tarkistaminen

Kädensuojus estää käsiä terien aiheuttamia vammoja.

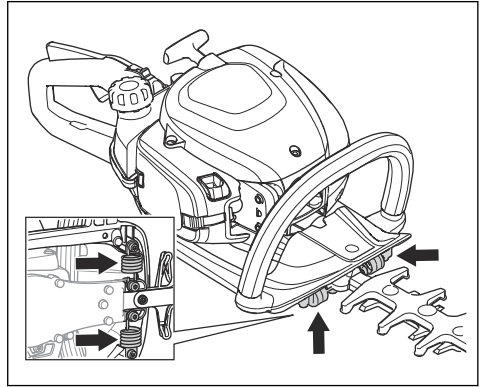
1. Pysäytä moottori.  
2. Varmista, että kädensuojus on kiinnitetty oikein paikalleen.  
3. Tarkista kädensuojus vaurioiden varalta.

#### Tärinänvaimennusjärjestelmän tarkistaminen

Tärinänvaimennusjärjestelmä vähentää kahvojen tärinää. Laitteen rungon ja kahvaston väliin on sijoitettu tärinänvaimennuselementtejä.

1. Tarkista silmämääräisesti, onko vääntymiä tai vaurioita.

2. Tarkista, että tärinänvaimentimet on kiinnitetty oikein.



#### Äänenvaimentimen tarkistaminen



**VAROITUS:** Älä käytä laitetta, jos äänenvaimennin puuttuu tai se on viallinen. Viallinen äänenvaimennin suurentaa melutasoa ja tulipalon vaaraa. Älä käytä laitetta ilman kipinänsammutusverkkoa tai rikkiäisen kipinänsammutusverkon kanssa. Jos kipinänsammutusverkko on vioittunut, se on vaihdettava.



**VAROITUS:** Äänenvaimentimet kuumentuvat huomattavasti käytön aikana ja sen jälkeen, myös joutokäyntinopeudella.



**HUOMAUTUS:** Jos kipinänsammutusverkko tukkeutuu usein, se voi olla merkki katalysaattorin toiminnan heikentymisestä. Ota yhteyttä huoltoliikkeeseen äänenvaimentimen tarkistusta varten. Tukkeutunut kipinänsammutusverkko saa laitteen ylikuumenemaan, mistä seuraa sylinteri- ja mäntävaurioita.

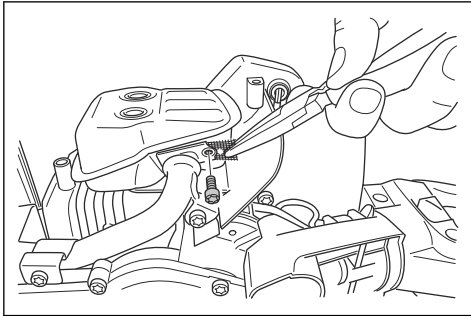


**VAROITUS:** Äänenvaimentimen sisäpinnat sisältävät kemikaaleja, jotka voivat aiheuttaa syöpää. Varo koskemasta näihin osiin, jos äänenvaimennin on vaurioitunut.

Äänenvaimennin pitää äänitason mahdollisimman alhaisena ja ohjaa moottorin pakokaasut käyttäjästä pois päin. Katalysaattorilla varustettu äänenvaimennin vähentää lisäksi pakokaasujen haitallisia aineita.

1. Pysäytä moottori.

2. Tarkista silmämääräisesti, onko vaurioita tai vääntymiä.
3. Varmista, että äänenvaimennin on kiinnitetty oikein laitteeseen.
4. Puhdista kipinänsammutusverkko teräsharjalla.



### Terien ja teränsuojuksen tarkistaminen

Terien ulkoreuna toimii teränsuojuksena. Teränsuojus estää viiltovammoja.

1. Sammuta moottori ja varmista, että terät pysähtyvät.
2. Irrota sytytystulpan suojus sytytystulpasta.
3. Käytä suojakäsineitä.
4. Varmista, että terä ja teränsuojus ovat ehjiä ja etteivät ne ole vaurioituneet tai vääntyneet. Vaihda aina taipunut tai vaurioitunut terä ja vaurioitunut teränsuojus.
5. Varmista, että terien ja teränsuojuksen ruuvit ovat tiukasti kiinni.

### Polttoaineruivalisuus



**VAROITUS:** Lue seuraavat varoitusohjeet ennen koneen käyttämistä.

- Älä käynnistä laitetta, jos sen päällä on polttoainetta tai moottoriöljyä. Poista ylimääräinen polttoaine tai öljy ja anna laitteen kuivua.
- Jos olet läikyttänyt polttoainetta vaatteillesi, vaihda vaatteet heti.
- Varo, ettei iholle pääse polttoainetta, sillä se voi aiheuttaa vamman. Jos ihollesi joutuu polttoainetta, pese se pois vedellä ja saippualla.
- Älä käynnistä laitetta, jos moottori vuotaa. Tarkista moottori säännöllisesti vuotojen varalta.
- Käsittele polttoainetta varoen. Polttoaine on syttyvää ja kaasut ovat räjähdysherkkiä, mikä voi aiheuttaa tapaturman tai kuoleman.
- Älä hengitä polttoainehöyryjä, sillä ne voivat aiheuttaa vamman. Varmista, että ilmanvirtaus on riittävä.

- Älä tupakoi polttoaineen tai moottorin lähistöllä.
- Älä sijoita lämpimiä esineitä polttoaineen tai moottorin lähelle.
- Älä lisää polttoainetta, kun moottori on käynnissä.
- Varmista ennen polttoaineen lisäämistä, että moottori on jäähtynyt.
- Ennen kuin lisäät polttoainetta, avaa polttoainesäiliön korkki hitaasti ja vapauta paine varovasti.
- Älä lisää polttoainetta moottoriin sisätilassa. Jos ilmanvirtaus ei ole riittävä, tukehtuminen tai hiilimonoksidin hengittäminen voi aiheuttaa vamman tai kuoleman.
- Kiristä polttoainesäiliön korkki tiukasti. Polttoainesäiliön korkin riittämätön kiristys aiheuttaa tulipalovaaran.
- Siirrä laite ennen käynnistystä vähintään 3 metrin päähän paikasta, jossa lisäsit polttoainetta.
- Älä täytä polttoainesäiliötä täyteen. Kuumuus saa polttoaineen laajenemaan. Jätä polttoainesäiliön päälle tyhjää tilaa.

### Turvaohjeet huoltoa varten



**VAROITUS:** Lue seuraavat varoitusohjeet ennen laitteen käyttämistä.

- Sammuta moottori ja varmista, että terälaite pysähtyy. Anna laitteen jäähtyä ennen kuin alat tehdä huoltotoimenpiteitä.
- Irrota sytytystulpan suojus ennen huoltoa.
- Moottorin pakokaasut sisältävät hiilimonoksidia, joka on hajuton, myrkyllinen ja erittäin vaarallinen kaasu, joka voi aiheuttaa kuoleman. Älä käytä laitetta sisällä tai suljetussa tilassa.
- Moottorin pakokaasu on kuumaa ja voi sisältää kipinöitä. Älä käytä laitetta sisätiloissa tai lähellä herkästi syttyvää materiaalia.
- Lisävarusteet ja muut kuin valmistajan hyväksymät muutokset laitteeseen voivat aiheuttaa vakavan vamman tai kuoleman. Älä tee laitteeseen muutoksia. Käytä aina alkuperäisiä lisävarusteita.
- Jos laitetta ei ole huollettu asianmukaisesti ja säännöllisesti, tapaturmien ja laitteen vaurioitumisen vaara kasvaa.
- Huolla laite ainoastaan käyttöohjekirjassa annettujen ohjeiden mukaisesti. Anna valtuutetun Husqvarna-huolto liikkeen tehdä kaikki muut huoltotyöt.
- Anna valtuutetun Husqvarna-huolto liikkeen huoltaa laite säännöllisesti.
- Vaihda vaurioituneet, kuluneet tai rikkoutuneet osat.

# Käyttö

## Johdanto



**VAROITUS:** Lue ja sisäistä turvallisuutta käsittelevä luku ennen laitteen käyttöä.

## Polttoaine

Tässä laitteessa on kaksitahtimoottori.



**HUOMAUTUS:** Vääräntyyppinen polttoaine voi vaurioittaa moottoria. Käytä bensiiniin ja kaksitahtiöljyn seosta.

## Valmis polttoainesekoitus

- Käytä valmiiksi sekoitettua Husqvarna-alkylaattibensiiniä, sillä se takaa parhaan suorituskyvyn ja pidentää moottorin käyttöikää. Tällainen polttoaine sisältää tavallista polttoainetta vähemmän haitallisia kemikaaleja, mikä vähentää haitallisia pakokaasuja. Tällaisesta polttoaineesta jää vähemmän karstaa polton jälkeen, jolloin moottorin osat pysyvät puhtaampina.

## Polttoaineen sekoittaminen

### Bensiini

- Käytä korkealaatuista lyijytöntä bensiiniä, jossa on enintään 10 % etanolia-



**HUOMAUTUS:** Älä käytä bensiiniä, jonka oktaaniluku on pienempi kuin 90 RON / 87 AKI. Jos oktaaniluku on pienempi, moottori voi alkaa nakuttaa, mikä vaurioittaa moottoria.

### Kaksitahtiöljy

- Käytä Husqvarna-kaksitahtiöljyä, sillä se takaa parhaat tulokset ja suorituskyvyn.
- Jos Husqvarna-kaksitahtiöljyä ei ole saatavilla, voidaan käyttää jotakin muuta ilmajäähdytteisille moottoreille tarkoitettua korkealaatuista kaksitahtiöljyä. Kysy huoltoilikkeestä ohjeita oikean öljyn valintaan.



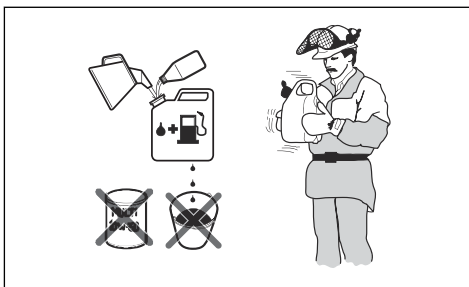
**HUOMAUTUS:** Älä käytä vesijäähdytteisille ulkolaitamoottoreille tarkoitettua kaksitahtiöljyä. Älä käytä nelitahtimoottoreille tarkoitettua öljyä.

## Bensiinin ja kaksitahtiöljyn sekoitus

Bensiini, litraa	Kaksitahtiöljy, litraa
	<b>2 % (50:1)</b>
5	0,10
10	0,20
15	0,30
20	0,40



**HUOMAUTUS:** Kun polttoainetta sekoitetaan pieniä määriä, pienikin mittausvirhe voi vaikuttaa sekoitussuhteeseen suuresti. Mittaa öljymäärä huolellisesti ja varmista, että seoksen suhde on oikea.



- Lisää puhtaaseen polttoainesäiliöön puolet bensiinin kokonaismäärästä.
- Lisää koko öljymäärä.
- Ravista polttoainesekoita.
- Lisää loput bensiinistä säiliöön.
- Ravista polttoainesekoita huolellisesti.



**HUOMAUTUS:** Sekoita korkeintaan yhden kuukauden polttoaineet kerrallaan.

## Polttoainesäiliön täyttö

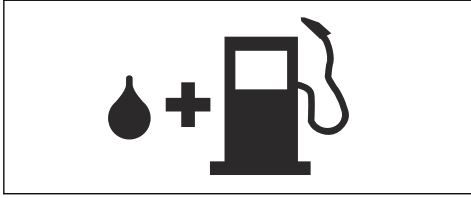


**VAROITUS:** Noudata seuraavia turvallisuustoimenpiteitä.

- Sammuta moottori ja anna sen jäähtyä.



2. Pyyhi polttoainesäiliön korkin ympäristö puhtaaksi.



3. Ravista kannua ja varmista, että polttoaine on sekoittunut kokonaan.
4. Vapauta polttoainesäiliöstä painetta avaamalla polttoainesäiliön korkki hitaasti.
5. Täytä polttoainesäiliö.



**HUOMAUTUS:** Varmista, että polttoainesäiliössä ei ole liikaa polttoainetta. Polttoaine laajenee lämmitessään.

6. Kiristä polttoainesäiliön korkki tiukasti.
7. Puhdista polttoaineroiskeet laitteen päältä ja ympäriltä.
8. Siirrä laite vähintään 3 metrin päähän polttoaineen lisäämis- ja säilytyspaikalta ennen käynnistämistä.

**Huomautus:** Laitteen polttoainesäiliön paikka kerrotaan kohdassa *Laitteen kuvaus sivulla 122*.

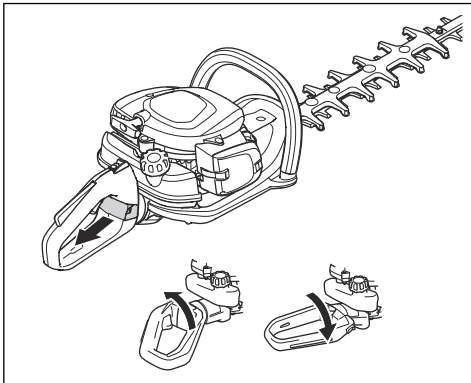
## Terän kärkisuojuksen asentaminen

1. Irrota terän kärkisuojuksen mutteri ja pultti.
2. Asenna terän kärkisuojus paikalleen.
3. Asenna ja kiristä pultti (7 Nm).
4. Asenna ja kiristä mutteri (5 Nm).

## Kahvan säätäminen

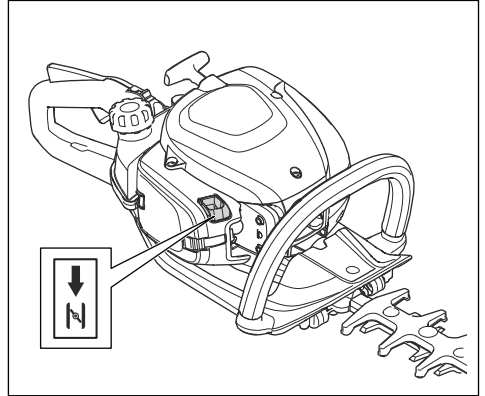
Takakahvan voi säätää kolmeen eri asentoon.

- Vapauta kahvan lukitus ja käännä kahvaa.



## Laitteen käynnistäminen moottorin ollessa kylmä

1. Siirrä rikastinvipu rikastusasentoon.



2. Paina polttoainepumppua noin 6 kertaa tai kunnes polttoainetta menee pumppuun. Polttoaineen ilmauspumppua ei tarvitse täyttää kokonaan.
3. Paina laitteen runkoa maata vasten vasemmalla kädellä. Älä astu laitteen päälle.
4. Vedä käynnistysnarun kahvaa hitaasti oikealla kädellä, kunnes tunnet vastuksen. Vedä sitten käynnistysnarun kahvaa nopeasti ja voimakkaasti.



**VAROITUS:** Älä kiedo käynnistysnarua kätesi ympärille.



**HUOMAUTUS:** Älä vedä käynnistysnarua loppuun asti, äläkä päästä irti käynnistysnarun kahvasta.

5. Jatka käynnistysnarun kahvasta vetämistä, kunnes moottori sytyttää, ja paina rikastin alkuperäiseen asentonsa.



**VAROITUS:** Terät liikkuvat, kun moottori käynnistyy.

6. Jatka käynnistysnarun kahvasta vetämistä, kunnes moottori käynnistyy.
7. Aseta moottori joutokäyntinopeudelle painamalla ja vapauttamalla kaasuliipaisin.
8. Lisää moottorin käyntinopeutta painamalla turvaliipaisinta vähitellen.
9. Varmista, että moottori käy tasaisesti.

## Laitteen käynnistäminen moottorin ollessa kuuma

1. Paina laitteen runkoa maata vasten vasemmalla kädellä. Älä astu laitteen päälle.
2. Vedä käynnistysnarun kahvaa hitaasti oikealla kädellä, kunnes tunnet vastuksen. Vedä sitten käynnistysnarun kahvaa nopeasti ja voimakkaasti. Jatka, kunnes moottori käynnistyy.

**Huomautus:** Lisätietoja laitteen käynnistämisestä on kohdassa *Laitteen käynnistäminen moottorin ollessa kylmä sivulla 129.*

## Laitteen pysäyttäminen

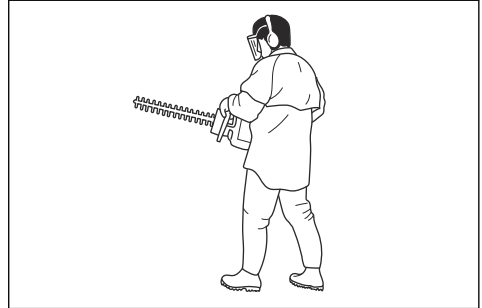
- Sammuta moottori siirtämällä pysäytyskytkin pysäytysasentoon.



**HUOMAUTUS:** Pysäytin palaa automaattisesti käyttöasentoon.

## Laitteen käyttö

1. Käynnistä lähellä maata ja nosta laitetta aitaan pitkin leikatessasi sivuja. Pidä huolta, ettei laitteen runko kosketa aitaan.



**VAROITUS:** Pidä huolta, ettei terälaitteen kärki kosketa maahan.

2. Säädä nopeutta työmäärän mukaan.
3. Pidä laite mahdollisimman lähellä kehoasi, jotta voit työskennellä tasapainoisessa asennossa.
4. Ole varovainen ja käytä laitetta hitaasti.

## Huolto

### Johdanto



**VAROITUS:** Lue ja sisäistä turvallisuutta käsittelevä luku ennen laitteen huoltamista.

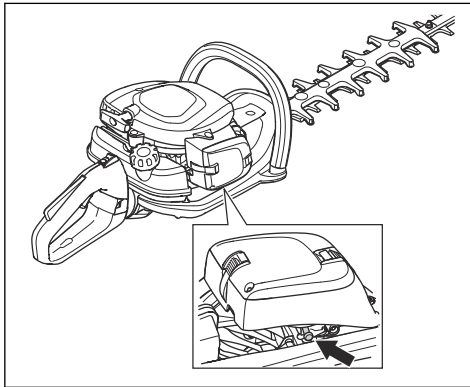
### Huoltokaavio

Huolto	Ennen käyttöä	40 h jäl-keen	100 h jäl-keen
Puhdista ulkopinta.		Jokaisen käytön jälkeen.	
Puhdista äänenvaimennin, pakoputki ja moottori lehdistä, liasta ja liiasta voiteluaineesta.		Jokaisen käytön jälkeen.	
Varmista, ettei terälaitte liiku joutokäyntinopeudella.	X		
Tarkista pysäytin.	X		
Tarkista terälaitte ja terälaitteen suojus vaurioiden tai halkeamien varalta. Vaihda, jos vaurioita on.	X		
Tarkista kädensuojus vaurioiden ja halkeamien varalta. Vaihda, jos vaurioita on.	X		
Tarkista turvaliipaisimen varmistin ja turvaliipaisin.	X		
Tarkista moottori, polttoainesäiliö ja polttoaineletkut vuotojen varalta.	X		
Kiristä mutterit ja ruuvit.	X		

Huolto	Ennen käyttöä	40 h jälkeen	100 h jälkeen
Tarkista polttoainesuodatin likaantumisen ja polttoaineletku halkeamien tai muiden vaurioiden varalta. Vaihda tarvittaessa.	X		
Tarkista käynnistin ja käynnistysnaru vaurioiden varalta.		X	
Puhdista ilmansuodatin. Vaihda tarvittaessa.		X	
Tarkista tärinänvaimennuselementit vaurioiden ja halkeamien varalta.		X	
Tarkista sytytystulppa, katso <i>Sytytystulpan tarkistus sivulla 132</i> .		X	
Puhdista jäähdytysjärjestelmä.		X	
Puhdista kaasuttimen ulkopinta ja sen ympäristö.		X	
Puhdista tai vaihda kipinänsammutusverkko.			X
Puhdista polttoainesäiliö sisäpuolelta.			X
Tarkista sytytystulppa.			X
Varmista, että vaihde on täytetty rasvalla.			X

## Joutokäyntinopeuden säätö

- Puhdista ilmansuodatin ja asenna ilmansuodattimen kansi.
- Käynnistä laite, katso *Laitteen käynnistäminen moottorin ollessa kylmä sivulla 129*.
- Kierrä T-ruuvia ensin myötäpäivään, kunnes terälaite alkaa liikkua.



- Kierrä joutokäyntiruuvia vastapäivään, kunnes terälaite pysähtyy.



**VAROITUS:** Jos terälaite ei pysähdy, kun säädät joutokäyntinopeutta, ota yhteyttä lähimpään huoltoliikkeeseen. Älä käytä laitetta, ennen kuin se on säädetty oikein tai korjattu.

**Huomaus:** Joutokäyntinopeus on oikea, kun moottori käy tasaisesti kaikilla asennoilla. Katso suositeltu joutokäyntinopeus kohdasta *Tekniset tiedot sivulla 133*.

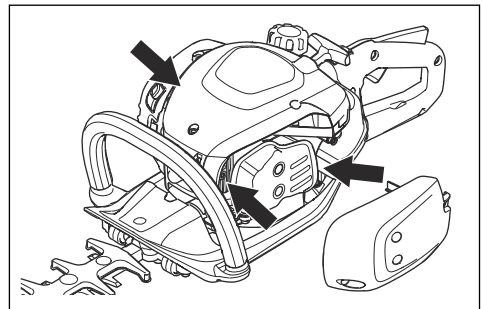
## Jäähdytysjärjestelmän puhdistus

Jäähdytysjärjestelmä pitää moottorin lämpötilan alhaisena. Jäähdytysjärjestelmään kuuluvat sylinterin jäähdytysrivat ja käynnistyslaitteen kotelo.



**HUOMAUTUS:** Lehdet tukkivat helposti polttoainesäiliön ja kampikammion välissä olevan ilmanottoaukon. Puhdista ilmanottoaukko kokonaan.

- Puhdista jäähdytysjärjestelmä harjalla viikoittain tai tarvittaessa useammin.
- Varmista, ettei jäähdytysjärjestelmä ole likainen tai tukossa.

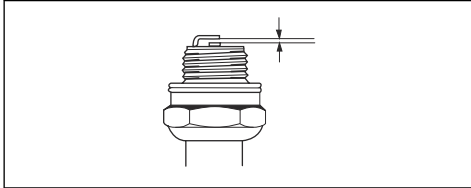


## Sytytystulpan tarkistus



**HUOMAUTUS:** Käytä aina suositeltua sytytystulppaa. Väärä sytytystulpan tyyppi voi aiheuttaa laitteen vaurioitumisen.

- Tarkista sytytystulppa, jos moottorin teho on heikko, moottoria on vaikea saada käyntiin tai se ei toimi oikein joutokäyntinopeudella.
- Ehkäise ylimääräisen materiaalin joutuminen sytytystulpan elektrodeihin noudattamalla seuraavia ohjeita:
  - a) Varmista, että joutokäyntinopeus on säädetty oikein.
  - b) Varmista, että polttoaineseos on oikea.
  - c) Varmista, että ilmansuodatin on puhdas.
- Jos sytytystulppa on karstoittunut, puhdista se ja tarkista samalla, että kärkiväli on oikea, katso *Tekniset tiedot sivulla 133.*

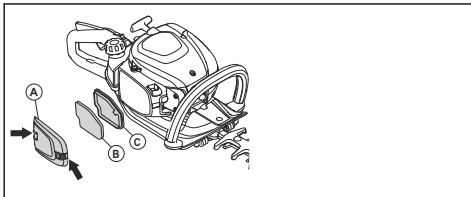


- Vaihda sytytystulppa tarvittaessa.

## Ilmansuodattimen puhdistaminen

Puhdista ilmansuodatin säännöllisesti liasta ja pölystä. Tämä ehkäisee kaasuttimen toimintahäiriöitä, käynnistysongelmia, moottorin tehon menetystä, moottorin osien kulumista ja polttoainekulutuksen kasvua.

1. Irrota ilmansuodattimen kansi (A).
2. Irrota vaahtokumisuoatatin (B) ja huopasuodatin (C) suodattimen kehiksestä.



3. Vaihda huopasuodatin (C).
4. Pese vaahtokumisuoatatin(B) lämpimällä saippuvedellä.

**Huomautus:** Pitkään käytössä ollut ilmansuodatinta ei voi koskaan puhdistaa täysin puhtaaksi. Vaihda ilmansuodatin säännöllisin väliajoin, ja vaihda viallinen ilmansuodatin aina uuteen.

5. Varmista, että huopasuodatin (B) on kuiva.
6. Levitä ilmansuodatinöljyä vaahtokumisuoatattimeen (B). Katso *Öljyn levitys ilmansuodattimeen sivulla 132*
7. Puhdista suodattimen kannen (A) sisäpinta. Käytä paineilmaa tai harjaa.

## Öljyn levitys ilmansuodattimeen

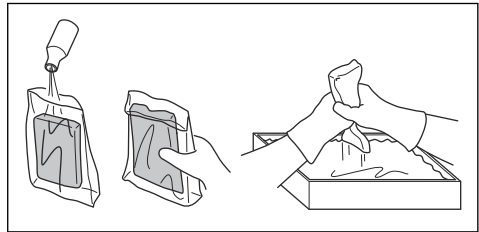


**HUOMAUTUS:** Käytä aina Husqvarna-erikoisilmansuodatinöljyä. Älä käytä muita öljytyyppejä.



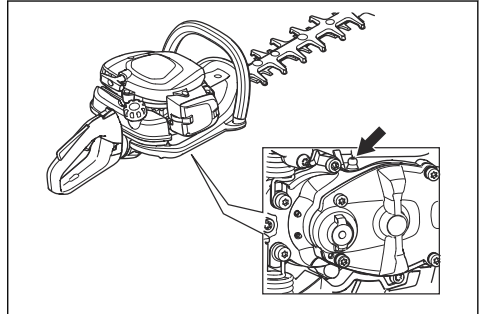
**VAROITUS:** Käytä suojakäsineitä. Ilmansuodatinöljy voi aiheuttaa ihoärsytystä.

1. Siirrä ilmansuodatin muovipussiin.
2. Kaada öljy muovipussiin.
3. Hiero muovipussia, jotta öljy levittyy tasaisesti koko ilmansuodattimeen.
4. Paina ylimääräinen öljy muovipussissa olevasta ilmansuodattimesta.



## Vaihteen voitelemine

- Käytä Husqvarna-erikoisrasvaa. Lisätietoja suositellusta rasvasta saat huoltoliikkeestä.
- Lisää rasva voitelunippojen kautta.



**HUOMAUTUS:** Älä täytä vaihdetta kokonaan.

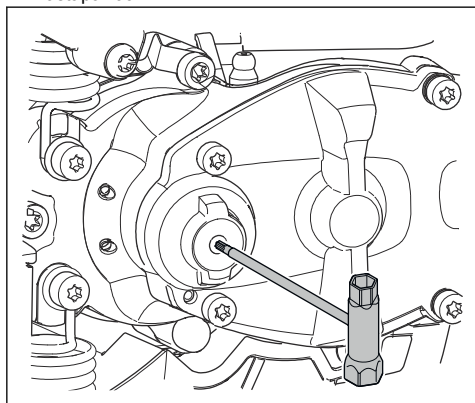
## Terien puhdistaminen ja voiteleminen

1. Puhdista terät ylimääräisistä materiaaleista ennen laitteen käyttöä ja käytön jälkeen.
2. Voitele terät ennen pidempiaikaista säilytystä.

**Huomautus:** Lisätietoja suosituista puhdistus- ja voiteluaineista saat huoltoliikkeestä.

## Terien tarkistaminen

1. Irrota vaihteen kansi.
2. Varmista, että terät liikkuvat vapaasti. Laita yhdistelmäavain vaihteeseen ja käännä myötä- ja vastapäivään.



3. Tutki terien särmät vaurioiden ja vääntymien varalta.
4. Viilaa terien jäysteet pois.

## Kuljettaminen, säilyttäminen ja hävittäminen

### Kuljetus ja säilytys

- Anna laitteen jäähtyä aina ennen varastointia.
- Kun säilytät ja kuljetat laitetta ja polttoainetta, varmista, ettei laite vuoda polttoainetta tai polttoainehöyryä. Esimerkiksi sähkölaitteista tai lämmityskattiloista peräisin olevat kipinät tai avotuli voivat aiheuttaa tulipalon.
- Käytä polttoaineen säilytyksessä ja kuljettamisessa aina hyväksytyjä polttoainesäiliöitä.
- Tyhjennä polttoaine ennen kuljetusta tai pitkäaikaista säilytystä. Hävitä polttoaine viemällä se asianmukaiseen keräyspisteeseen.
- Kiinnitä kuljetussuojus kuljetuksen ja säilytyksen ajaksi.
- Irrota sytytystulpan suojus sytytystulpasta.
- Kiinnitä laite kuljetuksen ajaksi. Varmista, ettei se pääse liikkumaan.
- Puhdista ja huolla laite ennen pitkäaikaista säilytystä.

## Tekniset tiedot

### Tekniset tiedot

	522HD60X	522HDR60X	522HDR75X
<b>Moottori</b>			

	522HD60X	522HDR60X	522HDR75X
Sylinteritilavuus, cm <sup>3</sup>	21,7	21,7	21,7
Joutokäyntinopeus, r/min	3 000	3 000	3 000
Suositeltu enimmäisnopeus, r/min	9 200	9 200	9 200
Standardin ISO 8893 mukainen moottorin enimmäisteho, kW/hv @ r/min	0,6/0,8 @ 7 800	0,6/0,8 @ 7 800	0,6/0,8 @ 7 800
Katalysaattoriäänenvaimennin	Kyllä	Kyllä	Kyllä
<b>Sytytysjärjestelmä</b>			
Sytytystulppa	NGK CMR6A	NGK CMR6A	NGK CMR6A
Kärkiväli, mm	0,5	0,5	0,5
<b>Polttoaine</b>			
Polttoainesäiliön tilavuus, l/cm <sup>3</sup>	0,45/450	0,45/450	0,45/450
<b>Paino</b>			
Ilman polttoainetta, kg	4,9	5,0	5,2
<b>Melupäästöt</b> <sup>25</sup>			
Äänen tehotaso, mitattu dB(A)	101	101	101
Äänen tehotaso, taattu L <sub>WA</sub> dB(A)	102	102	102
<b>Äänitasot</b> <sup>26</sup>			
Ekvivalentti äänenpainetaso käyttäjän korvan tasalla mitattuna standardien EN ISO 10517 mukaan, dB(A)	93	93	93
<b>Tärinätasot</b> <sup>27</sup>			
Kahvojen vastaavat tärinätasot (a <sub>nv,eq</sub> ) mitattuna standardin EN ISO 10517 mukaan, m/s <sup>2</sup> :			
Etu/taka, mm/s <sup>2</sup>	2,7/1,2	1,3	2,1/2,2
<b>Terät</b>			
Tyyppi	Kaksipuolinen	Kaksipuolinen	Kaksipuolinen
Leikkauspituus, mm	600	600	750
Leikkuunopeus leikkuuta minuutissa	4 400	3 200	3 200

<sup>25</sup> Melupäästö ympäristöön äänentehona (L<sub>WA</sub>) EY-direktiivin 2000/14/EY mukaisesti mitattuna. Laitteen ilmoitettu äänentehotaso on mitattu käyttäen alkuperäistä terälaitetta, joka antaa suurimman äänentehotason. Taatun ja mitatun äänentehon erona on se, että taattu äänenteho sisältää myös mitatun tuloksen hajonnan ja vaihtelun saman mallin eri laitteiden välillä direktiivin 2000/14/EY mukaisesti.

<sup>26</sup> Äänenpainetasoista ilmoitettujen tietojen tyypillinen tilastollinen hajonta (keskihajonta) on 1 dB(A).

<sup>27</sup> Tärinätasolle ilmoitetuissa tiedoissa tyypillinen tilastollinen hajonta (vakioepäkeema) on 1 m/s<sup>2</sup>.

# Vaatimustenmukaisuusvakuutus

## EU-vaatimustenmukaisuusvakuutus

Husqvarna AB, SE-561 82 Huskvarna, Ruotsi, puh. +46  
36 146500, vakuuttaa täten, että tuote:

<b>Kuvaus</b>	Pensasleikkuri
<b>Tuotemerkki</b>	Husqvarna
<b>Tyyppi/malli</b>	522HD60X, 522HDR60X, 522HDR75X
<b>Tunniste</b>	Sarjanumerot vuodesta 2022 alkaen

vastaavat täysin seuraavien EU:n direktiivien ja  
asetusten vaatimuksia:

<b>Asetus</b>	<b>Kuvaus</b>
2006/42/EC	konedirektiivi
2014/30/EU	EMC-direktiivi
2000/14/EC	Melupäästädirektiivi
2011/65/EU	Direktiivi tiettyjen vaarallisten aineiden käytön rajoittamisesta sähkö- ja elektroniikkalaitteissa

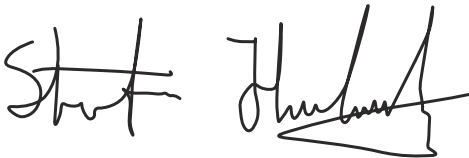
ja että asiassa sovelletaan seuraavia standardeja ja/tai  
teknisiä tietoja: EN ISO 12100:2021, CISPR 12: 2009,  
EN ISO 10517:2009/A1:2013, EN IEC 63000:2018.

RISE SMP Svensk Maskinprovning AB, on  
suorittanut Husqvarna AB:n puolesta vapaaehtoisen  
tyyppitarkastuksen. Sertifikaatin numero: SEC/18/2518.

RISE SMP Svensk Maskinprovning AB, vakuuttaa  
tuotteen olevan laitteiden ympäristöön aiheuttamia  
melupäästöjä koskevan 8. toukokuuta 2000  
annetun direktiivin 2000/14/EY vaatimusten mukainen.  
Sertifikaatin numerot: 01/094/026–522HD60X,  
01/094/027–522HDR60X, 522HDR75X.

Katso lisätietoja melupäästöistä osiosta *Tekniset tiedot*  
*sivulla 133.*

Huskvarna, 2022-05-09



Stefan Holmberg, Tuotekehityspäällikkö, Technology  
Management, Husqvarna AB

Teknisestä dokumentaatiosta vastaava edustaja

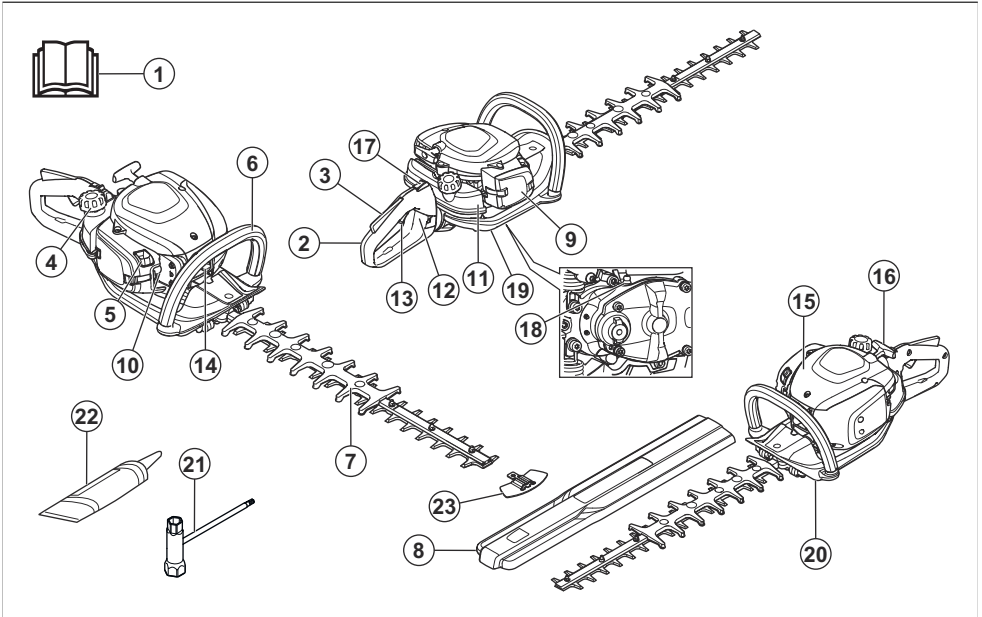


# Sommaire

Introduction.....	136	Transport, entreposage et mise au rebut.....	148
Sécurité.....	137	Caractéristiques techniques.....	148
Utilisation.....	142	Déclaration de conformité.....	150
Entretien.....	145		

# Introduction

## Aperçu du produit



- |  |                                    |
|--|------------------------------------|
| 1. Manuel de l'opérateur                 | 17. Bouton d'arrêt                 |
| 2. Poignée arrière                       | 18. Graisseur                      |
| 3. Blocage de la gâchette d'accélération | 19. Carter                         |
| 4. Bouchon du réservoir d'essence        | 20. Protection de main             |
| 5. Starter                               | 21. Clé mixte                      |
| 6. Poignée avant                         | 22. Tube de graisse                |
| 7. Lame et protège-lame                  | 23. Protection d'extrémité de lame |
| 8. Protection de transport               |                                    |
| 9. Couvercle de filtre à air             |                                    |
| 10. Poire de la pompe à carburant        |                                    |
| 11. Réservoir de carburant               |                                    |
| 12. Poignée de verrouillage              |                                    |
| 13. Gâchette d'accélération              |                                    |
| 14. Chapeau de bougie et bougie          |                                    |
| 15. Capot de cylindre                    |                                    |
| 16. Poignée du câble du démarreur        |                                    |

## Description du produit

Le produit est un taille-haie équipé d'un moteur à combustion.

## Utilisation prévue

Utilisez le produit pour couper les branches et les rameaux. N'utilisez pas ce produit pour d'autres travaux.



## Symboles concernant le produit



Arrêtez la machine.



Soyez prudent et utilisez le produit correctement. Ce produit peut causer des blessures graves, voire mortelles, à l'opérateur ou à d'autres personnes.



Lisez attentivement le manuel d'utilisation et assurez-vous de bien comprendre les instructions avant utilisation.



Utilisez des protège-oreilles et des protections pour les yeux homologués.



Utilisez des gants de protection homologués.



Utilisez des bottes antidérapantes robustes.

# T

Vis de réglage du ralenti.

# H

Pointeau de vitesse élevée.

# L

Pointeau de vitesse lente.



Émissions sonores dans l'environnement selon la directive européenne 2000/14/CE et la législation de la Nouvelle-Galles du Sud « Protection of the Environment Operations (Noise Control) Regulation 2017 ». Les données relatives aux émissions sonores figurent sur l'étiquette de la machine et dans le chapitre Caractéristiques techniques.

# CE

Le produit est conforme aux directives CE en vigueur.

# UK CA

Ce produit est conforme aux directives applicables en vigueur au Royaume-Uni.

yyyywwxxxx

La plaque signalétique indique le numéro de série. **aaaa** désigne l'année de production et **ww** désigne la semaine de production.

---

**Remarque:** les autres symboles/autocollants présents sur le produit concernent des exigences de certification spécifiques à certains marchés.

---

## Émissions Euro V



**AVERTISSEMENT:** toute altération du moteur a pour effet d'annuler l'homologation de type UE de ce produit.

---

## Sécurité

### Définitions de sécurité

Des avertissements, des recommandations et des remarques sont utilisés pour souligner des parties spécialement importantes du manuel.



**AVERTISSEMENT:** Symbole utilisé en cas de risque de blessures ou de mort pour l'opérateur ou les personnes à proximité si les instructions du manuel ne sont pas respectées.



**REMARQUE:** Symbole utilisé en cas de risque de dommages pour le produit, d'autres matériaux ou les environs si

les instructions du manuel ne sont pas respectées.

---

**Remarque:** Symbole utilisé pour donner des informations supplémentaires pour une situation donnée.

---

### Instructions générales de sécurité



**AVERTISSEMENT:** Lisez les instructions qui suivent avant d'utiliser le produit.

---

- Un produit utilisé de manière inappropriée ou imprudente peut devenir un outil dangereux, pouvant

causer des blessures graves, voire mortelles. Il est très important de lire attentivement et de bien comprendre les instructions contenues dans ce manuel de l'opérateur.

- Ce produit génère un champ électromagnétique durant son fonctionnement. Ce champ peut dans certaines circonstances perturber le fonctionnement d'implants médicaux actifs ou passifs. Pour réduire le risque de blessures graves ou mortelles, les personnes portant des implants médicaux doivent consulter leur médecin et le fabricant de leur implant avant d'utiliser cet appareil.
- Une exposition excessive aux vibrations peut entraîner des troubles circulatoires ou nerveux chez les personnes sujettes à des troubles cardio-vasculaires. Consultez un médecin en cas de symptômes liés à une exposition excessive aux vibrations. De tels symptômes peuvent être : engourdissement, perte de sensibilité, chatouillements, picotements, douleur, faiblesse musculaire, décoloration ou modification épidermique. Ces symptômes affectent généralement les doigts, les mains ou les poignets. Les risques peuvent augmenter à basses températures.
- Dans l'éventualité d'une situation rendant la suite du travail incertaine, consultez un expert. Adressez-vous au revendeur ou à l'atelier de réparation. Évitez les tâches pour lesquelles vous ne vous sentez pas suffisamment qualifié.
- N'oubliez pas que l'opérateur est responsable des accidents ou dangers aux tiers et à leurs biens.
- Ne laissez jamais d'autres personnes utiliser le produit sans vous être assuré au préalable que ces personnes ont bien compris le contenu du mode d'emploi.
- Ne laissez jamais des enfants utiliser le produit ou s'en approcher. Le produit est équipé d'un bouton d'arrêt à détente et peut être démarré par une activation à faible vitesse et de faible puissance de la poignée du lanceur ; dans certaines circonstances, de jeunes enfants peuvent produire la force nécessaire au démarrage du produit. Ceci peut entraîner un risque de graves blessures corporelles. Retirez donc le chapeau de bougie lorsque le produit n'est pas sous surveillance.
- Rangez le produit hors de portée des enfants.
- N'utilisez jamais le produit en cas de fatigue, d'absorption d'alcool ou de prise de médicaments susceptibles d'affecter l'acuité visuelle, le jugement ou la maîtrise du corps.
- N'utilisez jamais un produit qui n'est pas en parfait état de marche. Suivez les instructions de contrôle, de maintenance et d'entretien indiquées dans ce manuel. Certaines opérations de maintenance et d'entretien doivent être réalisées par un spécialiste dûment formé et qualifié. Reportez-vous aux instructions du chapitre Entretien.

- N'utilisez jamais un produit qui a été modifié au point de ne plus être conforme aux spécifications d'origine.

## Consignes de sécurité pour le fonctionnement



**AVERTISSEMENT:** Lisez les instructions qui suivent avant d'utiliser le produit.

- N'utilisez jamais le produit dans des conditions climatiques extrêmes telles qu'un froid intense ou un climat très chaud et/ou humide.
- Des couteaux en mauvais état augmentent le risque d'accident.
- Assurez-vous que personne ne s'approche à moins de 15 m/50 pi pendant que vous travaillez.
- Assurez-vous que la zone de travail est bien dégagée et qu'aucune personne et aucun animal ne risquent d'entrer en contact avec l'équipement de coupe.
- Inspecter la zone de travail. Retirer tout objet susceptible d'être projeté.
- Toujours adopter une position de travail sûre et stable.
- Ne laissez jamais le produit sans surveillance pendant que le moteur tourne.
- Veillez à ce que ni les mains ni les pieds ne soient en contact avec l'unité de coupe quand le moteur tourne.
- Si un objet se bloque dans les lames durant le travail, arrêtez le moteur et attendez l'arrêt total du moteur avant de nettoyer les lames. Débranchez le câble de la bougie. Reportez-vous à la section *Pour examiner les lames à la page 148*.
- Après l'arrêt du moteur, maintenez mains et pieds à l'écart de l'unité de coupe jusqu'à l'arrêt total de celui-ci.
- Attention aux éclats de bois pouvant être projetés durant le sciage.
- Restez attentif aux signaux d'alerte ou aux appels lorsque vous portez des protecteurs d'oreille. Enlevez toujours vos protège-oreilles dès que le moteur s'arrête.
- Ne travaillez jamais debout sur une échelle, un tabouret, ou dans toute autre position élevée n'offrant pas une sécurité maximale.
- Tenez toujours la machine des deux mains. Tenez la machine devant vous.
- Arrêtez immédiatement le produit s'il vibre ou bute sur un objet. Débranchez le câble de la bougie. Vérifiez que le produit n'a subi aucun dommage. Réparez tout éventuel dommage.
- Vérifiez que le chapeau de bougie et le câble d'allumage ne sont pas endommagés afin d'éviter tout risque de choc électrique.

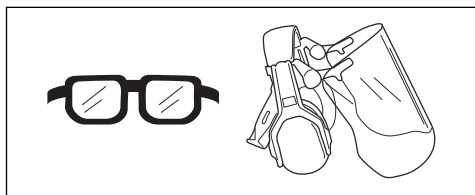
- Contrôler que tous les écrous et boulons sont correctement serrés.
- Contrôler que l'engrenage est correctement lubrifié. Reportez-vous à la section *Pour lubrifier le carter d'engrenage à la page 147.*
- Après l'utilisation du produit, le carter d'engrenage est chaud. Ne pas toucher l'engrenage afin d'éviter les brûlures.
- Tous les carters et toutes les protections doivent être montés avant le démarrage.
- La protection pour le transport doit toujours être mise sur l'unité de coupe quand le produit n'est pas utilisé.

## Équipement de protection individuelle

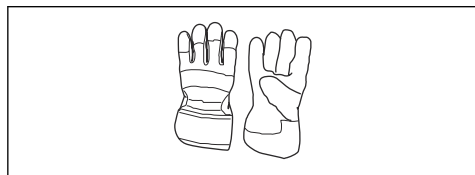


**AVERTISSEMENT:** Lisez les instructions qui suivent avant d'utiliser le produit.

- Portez toujours un équipement de protection individuel homologué lorsque vous utilisez le produit. L'équipement de protection individuel ne protège pas complètement des blessures, mais il diminue la gravité des blessures en cas d'accident. Faites appel à votre revendeur pour vous aider à sélectionner l'équipement adéquat.
- Portez des protège-oreilles homologués ayant un effet atténuateur suffisant. Une exposition prolongée au bruit risque de causer des lésions auditives permanentes.
- Utilisez des protections pour les yeux homologuées. L'usage d'une visière doit toujours s'accompagner du port de lunettes de protection homologuées. Par lunettes de protection homologuées, on entend celles qui sont en conformité avec les normes ANSI Z87.1 (États-Unis) ou EN 166 (pays de l'UE).



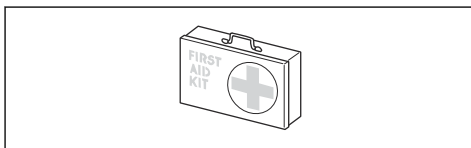
- Portez des gants de protection en cas de besoin, par exemple lorsque vous fixez, examinez ou nettoyez l'équipement de coupe.



- Utilisez des bottes ou des chaussures antidérapantes solides.



- Portez des vêtements fabriqués dans un matériau résistant. Portez toujours des pantalons longs, épais et des manches longues. Ne portez pas de vêtements amples qui risqueraient de se prendre dans les brindilles et les branches. Ne portez pas de bijoux, de shorts, de sandales et ne marchez pas pieds nus. Attachez vos cheveux de façon sécurisée au-dessus de vos épaules.
- Gardez toujours une trousse de premiers soins à portée de main.



## Dispositifs de sécurité sur le produit

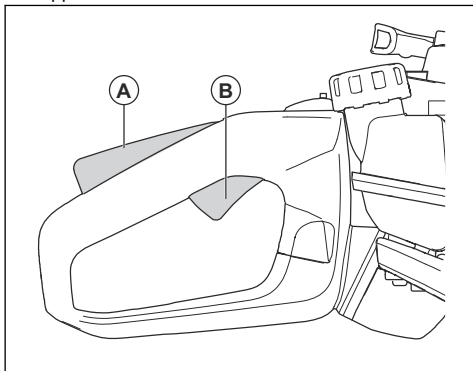


**AVERTISSEMENT:** Lisez les instructions qui suivent avant d'utiliser le produit.

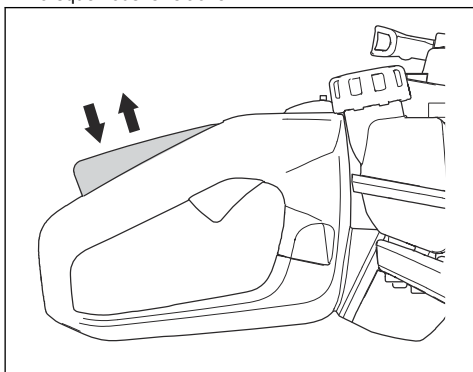
- N'utilisez pas un produit avec des dispositifs de sécurité défectueux.
- Contrôlez les dispositifs de sécurité régulièrement. Si les dispositifs de sécurité sont défectueux, parlez-en à votre agent d'entretien Husqvarna.

## Pour contrôler le blocage de la gâchette d'accélération

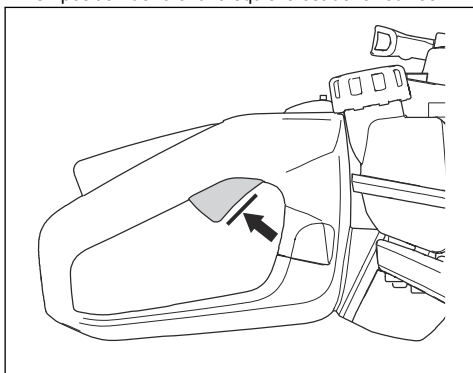
1. Assurez-vous que le blocage de la gâchette d'accélération (A) et que la gâchette d'accélération (B) se déplacent librement et que le ressort de rappel fonctionne correctement.



2. Appuyez sur le blocage de la gâchette d'accélération et assurez-vous qu'il retourne à sa position initiale lorsque vous le relâchez.



3. Vérifiez que la gâchette d'accélération est bloquée en position de ralenti lorsqu'elle est déverrouillée.



4. Démarrez le produit et faites-le fonctionner à plein régime.

5. Relâchez la gâchette d'accélération et vérifiez que les lames sont arrêtées et qu'elles restent immobiles.



**AVERTISSEMENT:** Si les lames bougent lorsque la gâchette d'accélération est sur la position de ralenti, alors le régime de ralenti du carburateur doit être réglé. Reportez-vous à la section *Pour régler le régime de ralenti à la page 146.*

#### Pour contrôler l'interrupteur d'arrêt

1. Démarrez le moteur.
2. Mettez l'interrupteur de marche/arrêt en position d'arrêt et vérifiez que le moteur s'arrête.



**AVERTISSEMENT:** Le bouton marche/arrêt revient automatiquement à la position de démarrage. Afin d'éviter tout démarrage accidentel, retirez le capuchon de la bougie d'allumage lors du montage ou de l'entretien du produit.

#### Pour contrôler la protection anti-rebond

La protection anti-rebond empêche de se blesser avec les lames.

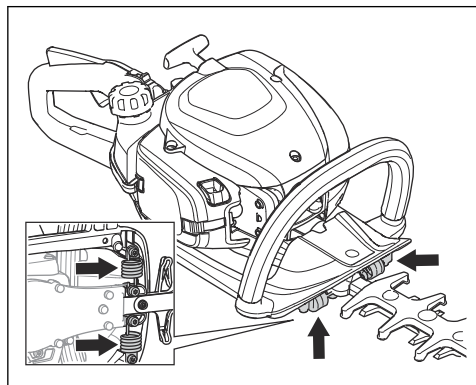
1. Arrêtez le moteur.
2. Assurez-vous que la protection de main est fixée correctement.
3. Vérifiez que la protection anti-rebond n'est pas endommagée.

#### Pour contrôler le système anti-vibrations

Le système anti-vibrations réduit les vibrations dans les poignées. Les dispositifs anti-vibrations agissent comme une séparation entre le corps du produit et les poignées.

1. Réalisez un contrôle visuel pour détecter les déformations et les dommages.

2. Vérifiez que les dispositifs anti-vibrations sont correctement fixés.



#### Pour contrôler le silencieux



**AVERTISSEMENT:** N'utilisez jamais un produit sans silencieux ou avec un silencieux défectueux. Un silencieux en mauvais état peut augmenter le niveau sonore et le risque d'incendie. N'utilisez jamais le produit sans écran pare-étincelles ou avec un écran pare-étincelles cassé. Il est nécessaire de remplacer l'écran pare-étincelles s'il est endommagé.



**AVERTISSEMENT:** Les silencieux deviennent très chauds pendant et après utilisation, même au régime de ralenti.



**REMARQUE:** Si l'écran pare-étincelles est fréquemment obstrué, cela peut indiquer que les performances du pot catalytique commencent à décliner. Faites contrôler le silencieux par votre atelier d'entretien. Un écran pare-étincelles obstrué provoque une surchauffe et la détérioration du cylindre et du piston.

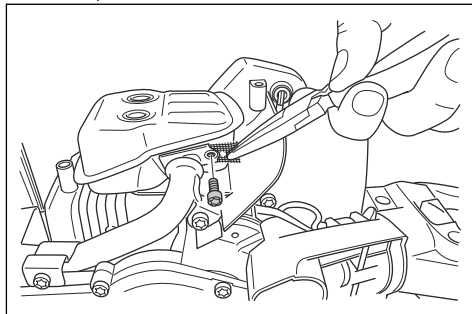


**AVERTISSEMENT:** Les surfaces internes du silencieux contiennent des produits chimiques pouvant causer un cancer. Veillez à ne pas toucher ces éléments si le silencieux est endommagé.

Le silencieux est conçu pour réduire au maximum le niveau sonore et rejeter les gaz d'échappement loin de l'utilisateur. Un silencieux avec un convertisseur catalytique réduit la teneur en substances toxiques des gaz d'échappement.

1. Arrêtez le moteur.

2. Réalisez un contrôle visuel pour détecter les dommages et les déformations.
3. Assurez-vous que le silencieux est correctement fixé à l'appareil.
4. Nettoyez l'écran pare-étincelles à l'aide d'une brosse métallique.



#### Pour contrôler les lames et le protège-lame

La partie extérieure des lames fait office de protège-lame. Le protège-lame évite les risques de coupures.

1. Arrêtez le moteur et assurez-vous que les lames s'arrêtent.
2. Déposez le capuchon de la bougie.
3. Mettez des gants de protection.
4. Assurez-vous que la lame et le protège-lame ne sont pas endommagés ou tordus. Remplacez toujours une lame endommagée ou tordue, ou bien un protège-lame endommagé.
5. Assurez-vous que les vis sur les lames et le protège-lame sont bien serrées.

#### Sécurité carburant



**AVERTISSEMENT:** Lisez les instructions qui suivent avant d'utiliser le produit.

- Ne démarrez pas le produit si du carburant ou de l'huile moteur a été renversé(e) sur le produit. Essayez le carburant/l'huile et attendez que le produit sèche.
- Si vous avez renversé du carburant sur vos vêtements, changez de vêtements immédiatement.
- Évitez tout contact de la peau avec le carburant. Le carburant peut causer des blessures. Si votre peau entre en contact avec le carburant, lavez les parties qui ont été en contact avec de l'eau et du savon.
- Ne démarrez pas le produit s'il y a une fuite de moteur. Vérifiez régulièrement s'il y a des fuites de moteur.
- Faites attention avec le carburant. Le carburant est inflammable et ses vapeurs sont explosives. Il peut causer des blessures graves, voire mortelles.

- Ne respirez pas les vapeurs de carburant, elles peuvent causer des blessures. Assurez-vous que la ventilation est suffisante.
- Ne fumez pas à proximité du carburant ou du moteur.
- Ne mettez pas d'objets chauds à proximité du carburant ou du moteur.
- N'ajoutez pas de carburant lorsque le moteur est allumé.
- Assurez-vous que le moteur est froid avant de faire le plein de carburant.
- Avant de faire le plein, ouvrez le bouchon du réservoir de carburant lentement et relâchez la pression avec précaution.
- N'ajoutez pas de carburant au moteur dans un espace intérieur. Un débit d'air insuffisant peut causer des blessures graves, voire mortelles dues à une asphyxie ou au monoxyde de carbone.
- Serrez complètement le bouchon du réservoir de carburant. Si le bouchon du réservoir de carburant n'est pas serré, il y a un risque d'incendie.
- Déplacez le produit à un minimum de 3 m/10 ft de l'endroit où a été fait le plein de carburant avant de démarrer le produit.
- Ne remplissez pas entièrement le réservoir de carburant. La chaleur entraîne la dilatation du carburant. Laissez un espace en haut du réservoir de carburant.
- Arrêtez le moteur et assurez-vous que l'unité de coupe s'arrête. Laissez la machine refroidir avant de procéder à des tâches d'entretien.
- Débranchez le chapeau de bougie d'allumage avant d'effectuer l'entretien.
- Les gaz d'échappement du moteur contiennent du monoxyde de carbone, un gaz inodore, toxique et très dangereux pouvant entraîner la mort. Ne faites pas tourner le moteur en intérieur ou dans des espaces fermés.
- Les gaz d'échappement du moteur sont très chauds et peuvent contenir des étincelles. N'utilisez pas le produit dans un local clos ou à proximité de matériaux inflammables.
- Les accessoires et les modifications apportées au produit qui ne sont pas approuvés par le fabricant peuvent causer des blessures très graves, voire mortelles. Ne modifiez pas le produit. Utilisez uniquement des accessoires d'origine.
- Si l'entretien n'est pas effectué correctement et régulièrement, le risque de blessures et d'endommagement du produit augmente.
- Effectuez uniquement les tâches d'entretien recommandées dans le présent manuel d'utilisation. Laissez un agent d'entretien Husqvarna approuvé se charger de toutes les autres opérations d'entretien.
- Demandez à un Husqvarna atelier spécialisé d'effectuer régulièrement l'entretien du produit.
- Remplacez les pièces endommagées, usées ou cassées.

## Consignes de sécurité pour l'entretien



**AVERTISSEMENT:** Lisez les instructions qui suivent avant d'utiliser le produit.

## Utilisation

### Introduction



**AVERTISSEMENT:** Assurez-vous de lire et de comprendre le chapitre dédié à la sécurité avant d'utiliser l'appareil.

### Carburant

Ce produit est équipé d'un moteur à deux temps.



**REMARQUE:** L'utilisation d'un type de carburant inadéquat peut endommager le moteur. Utilisez un mélange d'essence et d'huile deux temps.

### Carburant prémélangé

- Utilisez Husqvarna un carburant alkylate prémélangé pour des performances optimales et une plus longue durée de vie du moteur. Ce carburant contient des produits chimiques moins dangereux par rapport au

carburant normal, ce qui réduit la quantité de gaz d'échappement dangereux. Ce carburant génère une faible quantité de résidus, ce qui permet de garder les composants du moteur propres plus longtemps.

### Pour mélanger le carburant

#### Essence

- Utilisez une essence sans plomb de bonne qualité avec un maximum de 10 % d'éthanol.



**REMARQUE:** n'utilisez pas d'essence avec un indice d'octane inférieur à 90 RON/87 AKI. L'utilisation d'une essence d'un indice d'octane inférieur peut entraîner des cognements, et donc endommager le moteur.

## Huile deux temps

- Pour un résultat et un fonctionnement optimaux, utilisez de l'huile deux temps Husqvarna.
- Si l'huile deux temps Husqvarna n'est pas disponible, utilisez une huile deux temps de haute qualité pour moteurs refroidis à l'air. Contactez votre atelier d'entretien pour sélectionner l'huile appropriée.



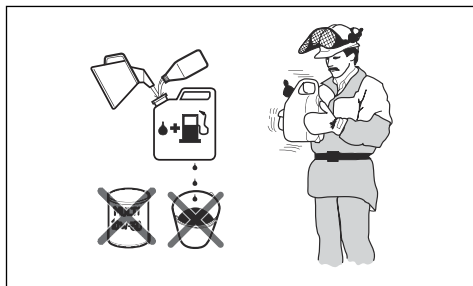
**REMARQUE:** N'utilisez pas d'huile deux temps pour les moteurs hors-bord refroidis par eau (huile outboard). N'utilisez pas d'huile pour moteurs à quatre temps.

## Pour mélanger l'essence et l'huile deux temps

Essence, en litres	Huile deux temps, en litres
	<b>2 % (50:1)</b>
5	0,10
10	0,20
15	0,30
20	0,40



**REMARQUE:** lorsque vous mélangez de faibles quantités de carburant, de petites erreurs peuvent influencer considérablement sur le rapport de mélange. Mesurez soigneusement la quantité d'huile et assurez-vous que vous obtenez le mélange correct.



1. Remplissez la moitié de la quantité d'essence dans un récipient propre et adapté pour l'essence.
2. Ajoutez la quantité totale d'huile.
3. Mélangez en secouant le mélange de carburant.
4. Ajoutez le reste de l'essence dans le récipient.
5. Mélangez avec précaution en secouant le récipient.



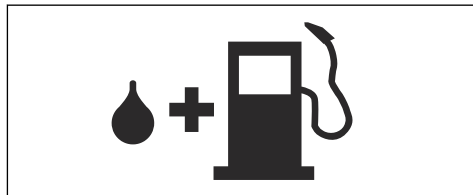
**REMARQUE:** Ne mélangez jamais plus d'un mois de carburant à chaque fois.

## Pour remplir le réservoir de carburant



**AVERTISSEMENT:** Respectez la procédure suivante pour votre sécurité.

1. Arrêtez le moteur et laissez-le refroidir.
2. Essayez le pourtour du bouchon du réservoir de carburant.



3. Secouez le conteneur et assurez-vous que le carburant est complètement mélangé.
4. Déposez lentement le couvercle du réservoir de carburant pour relâcher la pression.
5. Remplissez le réservoir de carburant.



**REMARQUE:** Assurez-vous qu'il n'y a pas de trop de carburant dans le réservoir de carburant. Le carburant se dilate lorsqu'il devient chaud.

6. Serrez soigneusement le bouchon du réservoir de carburant.
7. Nettoyez tout déversement de carburant sur et autour du produit.
8. Positionnez le produit à au moins 3 m/10 pi de la zone et de la source de remplissage avant de démarrer le moteur.

**Remarque:** Pour connaître l'emplacement du réservoir de carburant sur votre produit, reportez-vous à la section *Aperçu du produit* à la page 136.

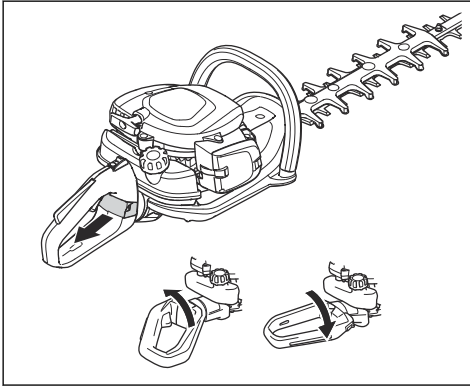
## Pour installer la protection d'extrémité de lame

1. Déposez l'écrou et le boulon de l'extrémité de la lame.
2. Installez la protection d'extrémité de lame sur l'extrémité de la lame.
3. Installez le boulon et serrez-le à 7 Nm.
4. Installez l'écrou et serrez-le à 5 Nm.

## Pour régler la poignée

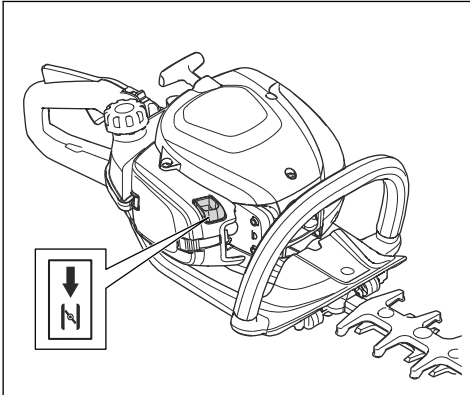
La poignée arrière peut être réglée dans 3 positions différentes.

- Relâchez le levier de verrouillage et tournez la poignée.



## Démarrage du produit lorsque le moteur est froid

1. Tirez la commande de starter en position de starter.



2. Appuyez environ 6 fois sur la poire de la pompe à carburant ou jusqu'à ce qu'elle commence à se remplir de carburant. Il n'est pas nécessaire de remplir entièrement la poire de la pompe à carburant.
3. Plaquez l'appareil contre le sol à l'aide de votre main gauche. Ne marchez pas sur le produit.
4. Tirez lentement la poignée du câble du démarreur à l'aide de votre main droite jusqu'à sentir une résistance, puis tirez la poignée du câble du démarreur rapidement et avec force.



**AVERTISSEMENT:** N'enroulez pas le câble du démarreur autour de votre main.



**REMARQUE:** Ne tirez pas complètement sur le câble du démarreur et ne lâchez pas la poignée du câble du démarreur.

5. Continuez à tirer sur la poignée du câble du démarreur jusqu'à ce que le moteur démarre, puis remettez la commande de starter en position initiale.



**AVERTISSEMENT:** Les lames bougent dès que le moteur démarre.

6. Continuez à tirer la poignée du câble du démarreur jusqu'à ce que le moteur démarre.
7. Appuyez sur la gâchette d'accélérateur puis relâchez-la pour régler le moteur au régime de ralenti.
8. Appuyez sur la gâchette d'accélérateur pour augmenter progressivement la vitesse du moteur.
9. Assurez-vous que le moteur tourne sans à-coups.

## Démarrage du produit lorsque le moteur est chaud

1. Plaquez l'appareil contre le sol à l'aide de votre main gauche. Ne marchez pas sur le produit.
2. Tirez lentement la poignée du câble du démarreur à l'aide de votre main droite jusqu'à sentir une résistance, puis tirez la poignée du câble du démarreur rapidement et avec force. Continuez l'opération jusqu'à ce que le moteur démarre.

**Remarque:** Pour plus d'informations sur le démarrage du produit, reportez-vous à *Démarrage du produit lorsque le moteur est froid* à la page 144.

## Pour arrêter le produit

- Pour arrêter le moteur, passez l'interrupteur d'arrêt en position d'arrêt.

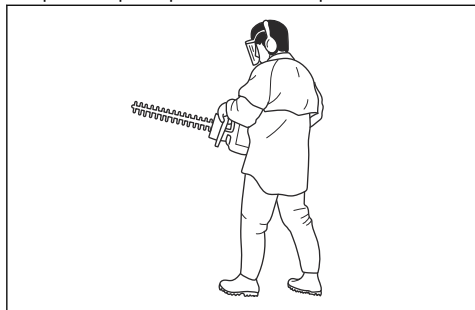


**REMARQUE:** Le bouton d'arrêt revient automatiquement en position de marche.



## Pour utiliser le produit

1. Démarrez à proximité du sol et déplacez le produit le long de la haie lorsque vous taillez. Assurez-vous que le corps du produit ne touche pas la haie.



**AVERTISSEMENT:** Assurez-vous que l'avant de l'équipement de coupe ne touche pas le sol.

2. Réglez la vitesse afin qu'elle corresponde à la charge de travail.
3. Tenez le produit près de votre corps pour une position de travail stable.
4. Soyez prudent et utilisez le produit lentement.

## Entretien

### Introduction

sécurité avant de procéder à l'entretien du produit.



**AVERTISSEMENT:** assurez-vous de lire et de comprendre le chapitre sur la

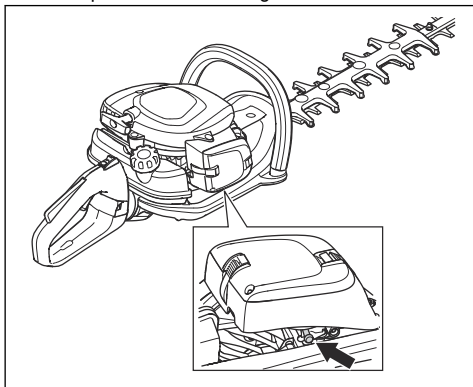
### Calendrier de maintenance

Entretien	Avant utilisation	Après 40 h	Après 100 h
Nettoyez la surface externe.	Après chaque utilisation.		
Nettoyez le silencieux, le tuyau d'échappement et le moteur en retirant les feuilles, la saleté et le lubrifiant indésirable.	Après chaque utilisation.		
Assurez-vous que l'équipement de coupe ne bouge pas lorsque le moteur tourne au ralenti.	X		
Contrôlez l'interrupteur d'arrêt.	X		
Examinez l'équipement de coupe et sa protection pour vérifier l'absence de dommages ou de fissures. Remplacez-le s'il est endommagé.	X		
Vérifiez que la protection anti-rebond est exempte de dommages ou de fissures. Remplacez-la si elle est endommagée.	X		
Contrôlez le blocage de la gâchette d'accélération et la gâchette d'accélération.	X		
Vérifiez si le moteur, le réservoir de carburant et les conduites de carburant présentent des fuites.	X		
Serrez les écrous et les vis.	X		
Vérifiez que le filtre à carburant n'est pas contaminé ou que le tuyau de carburant ne comporte pas de fissures ou d'autres défauts. Remplacez si nécessaire.	X		
Vérifiez si le démarreur et le câble de démarreur sont endommagés.		X	
Nettoyez le filtre à air. Remplacez-les si nécessaire.		X	

Entretien	Avant utilisation	Après 40 h	Après 100 h
Vérifiez que les dispositifs anti-vibrations ne présentent pas de dommages ou de fissures.		X	
Vérifiez la bougie, reportez-vous à <i>Pour vérifier la bougie à la page 147.</i>		X	
Nettoyez le système de refroidissement.		X	
Nettoyez la surface extérieure du carburateur et la zone autour de celui-ci.		X	
Nettoyez ou remplacez la grille pare-étincelles.			X
Nettoyer la surface intérieure du réservoir de carburant.			X
Vérifiez la bougie.			X
Veillez à ce que le carter d'engrenage soit rempli de graisse.			X

## Pour régler le régime de ralenti

1. Nettoyez le filtre à air et fixez le couvercle de filtre à air.
2. Faites démarrer le produit, reportez-vous à la section *Démarrage du produit lorsque le moteur est froid à la page 144.*
3. Tournez le pointeau T de ralenti dans le sens des aiguilles d'une montre jusqu'à ce que l'équipement de coupe commence à bouger.



4. Tournez la vis de réglage T dans le sens contraire des aiguilles d'une montre jusqu'à l'arrêt de l'équipement de coupe.



**AVERTISSEMENT:** Si l'équipement de coupe ne s'arrête pas lorsque vous réglez le régime de ralenti, veuillez contacter l'atelier d'entretien le plus proche. N'utilisez pas le produit tant qu'il n'est pas réglé ou réparé correctement.

positions. Reportez-vous à la section *Caractéristiques techniques à la page 148* pour connaître le régime de ralenti recommandé.

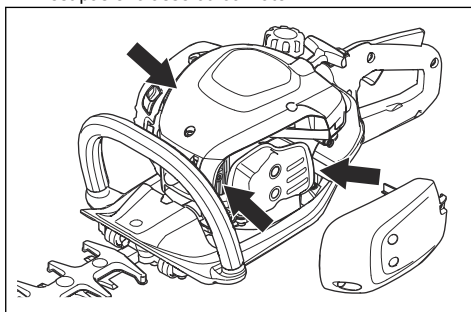
## Pour nettoyer le circuit de refroidissement

Le circuit de refroidissement maintient une température basse dans le moteur. Le système de refroidissement comprend les ailettes de refroidissement sur le cylindre et sur le corps du lanceur.



**REMARQUE:** La prise d'air entre le réservoir de carburant et le carter moteur peut facilement être bloquée par des feuilles. Nettoyez la prise d'air complètement.

1. Nettoyez le circuit de refroidissement avec une brosse une fois par semaine ou plus fréquemment si nécessaire.
2. Assurez-vous que le système de refroidissement n'est pas encrassé ou colmaté.



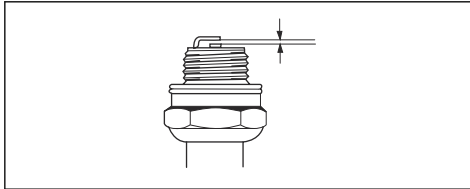
**Remarque:** Le régime de ralenti est correct lorsque le moteur fonctionne sans à-coups dans toutes les

## Pour vérifier la bougie



**REMARQUE:** Utilisez toujours le type de bougie recommandé. Un type de bougie inadéquat peut endommager le produit.

- Inspectez la bougie si le moteur manque de puissance, n'est pas facile à démarrer ou ne fonctionne pas correctement lorsqu'il tourne au régime de ralenti.
- Afin de réduire le risque de matériaux indésirables présents sur les électrodes de la bougie, procédez comme suit :
  - Assurez-vous que le régime de ralenti est correctement réglé.
  - Assurez-vous que le mélange de carburant est correct.
  - Assurez-vous que le filtre à air est propre.
- Si la bougie est encrassée, nettoyez-la et vérifiez que l'écartement des électrodes est correct ; reportez-vous à la section *Caractéristiques techniques à la page 148*.

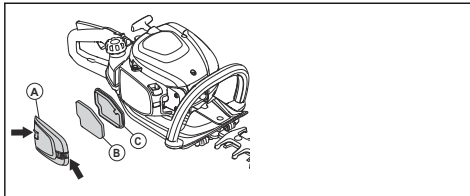


- Remplacez la bougie si nécessaire.

## Pour nettoyer le filtre à air

Nettoyez la saleté et la poussière du filtre à air régulièrement. Cela permet d'éviter un dysfonctionnement du carburateur, des problèmes de démarrage, une perte de puissance du moteur, l'usure des pièces du moteur et l'augmentation de la consommation de carburant.

- Retirez le couvercle du filtre à air (A).
- Déposez le filtre en mousse (B) et le filtre en feutre (C) du cadre du filtre.



- Remplacez le filtre en feutre (C).
- Nettoyez le filtre en mousse (B) avec de l'eau chaude savonneuse.

**Remarque:** un filtre à air ayant servi longtemps ne peut pas être complètement nettoyé. Remplacez

le filtre à air régulièrement et remplacez toujours un filtre à air défectueux.

- Assurez-vous que le filtre en mousse (B) est sec.
- Appliquez de l'huile de filtre à air sur le filtre en mousse (B). Reportez-vous à *Appliquer de l'huile sur le filtre à air à la page 147*
- Nettoyez la surface intérieure du couvercle du filtre à air (A). Utilisez de l'air comprimé ou une brosse.

## Appliquer de l'huile sur le filtre à air

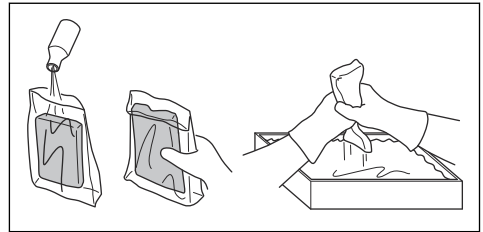


**REMARQUE:** Utilisez toujours une huile spéciale Husqvarna pour filtre à air. N'utilisez pas d'autres types d'huile.



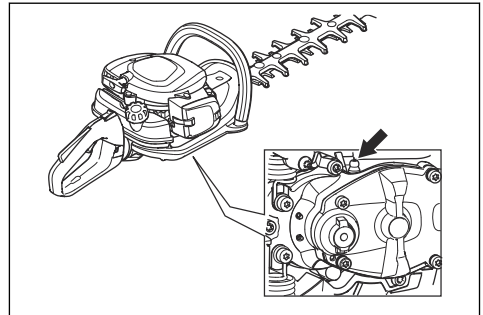
**AVERTISSEMENT:** Mettez des gants de protection. L'huile pour filtre à air peut irriter la peau.

- Mettez le filtre à air dans un sachet en plastique.
- Versez l'huile dans le sachet en plastique.
- Pressez le sachet en plastique pour assurer une répartition uniforme de l'huile dans le filtre à air.
- Retirez l'excédent d'huile du filtre à air pendant qu'il est dans le sachet en plastique.



## Pour lubrifier le carter d'engrenage

- Utilisez de la graisse spéciale Husqvarna. Pour obtenir davantage d'informations sur la graisse recommandée, contactez votre atelier d'entretien.
- Ajoutez la graisse dans le raccord de graissage.





**REMARQUE:** Ne remplissez pas entièrement le carter d'engrenage.

## Pour nettoyer et lubrifier les lames

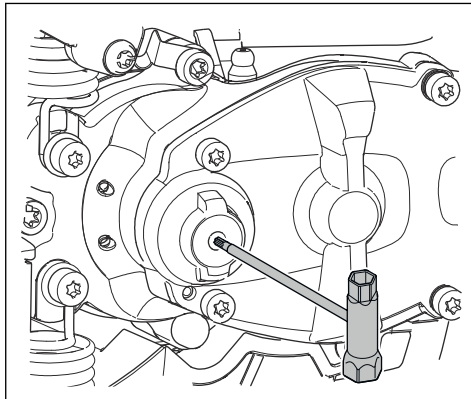
1. Nettoyez les lames afin d'enlever les matériaux indésirables avant et après l'utilisation du produit.
2. Lubrifiez les lames avant les périodes de remisage prolongées.

**Remarque:** Pour davantage d'informations sur les nettoyeurs et lubrifiants recommandés, contactez votre atelier d'entretien.

## Pour examiner les lames

1. Déposez le couvercle du carter d'engrenage.

2. Assurez-vous que les lames tournent librement. Insérez la clé mixte dans le carter d'engrenage et tournez-la dans le sens des aiguilles d'une montre et dans le sens contraire des aiguilles d'une montre.



3. Examinez les bords de la lame pour vérifier si des dommages et des déformations sont présents.
4. Limez les bavures éventuelles sur les lames.

## Transport, entreposage et mise au rebut

### Transport et stockage

- Laissez toujours le produit refroidir avant de le remiser.
- Pour le stocker et transporter le produit et le carburant, assurez-vous qu'il n'y a pas de fuite ou de vapeurs. Les étincelles ou les flammes nues produites par exemple par des appareils électriques ou chaudières peuvent provoquer un incendie.
- Utilisez uniquement des récipients homologués pour le transport et le stockage de carburant.
- Videz le carburant avant le transport ou avant un remisage prolongé. Mettez le carburant au rebut dans une déchetterie appropriée.
- Fixez la protection de transport pendant le transport et le remisage.
- Déposez le capuchon de la bougie.
- Fixez le produit pour le transporter. Assurez-vous qu'il ne puisse pas bouger.
- Nettoyez et effectuez l'entretien sur le produit avant de le remiser pour une période prolongée.

## Caractéristiques techniques

### Caractéristiques techniques

	522HD60X	522HDR60X	522HDR75X
<b>Moteur</b>			
Cylindrée, cm <sup>3</sup>	21,7	21,7	21,7
Régime de ralenti, tr/min	3 000	3 000	3 000
Régime maximal recommandé, tr/min	9 200	9 200	9 200
Puissance moteur maximale selon ISO 8893, kW/ch/tr/min	0,6/0,8 à 7 800	0,6/0,8 à 7 800	0,6/0,8 à 7 800
Silencieux avec pot catalytique	Oui	Oui	Oui

	522HD60X	522HDR60X	522HDR75X
<b>Système d'allumage</b>			
Bougie	NGK CMR6A	NGK CMR6A	NGK CMR6A
Écartement des électrodes, mm	0,5	0,5	0,5
<b>Carburant</b>			
Capacité du réservoir de carburant, l/cm <sup>3</sup>	0,45/450	0,45/450	0,45/450
<b>Poids</b>			
Sans carburant, kg	4,9	5,0	5,2
<b>Émissions sonores</b> <sup>28</sup>			
Niveau de puissance sonore mesuré dB(A)	101	101	101
Niveau de puissance acoustique, garanti L <sub>WA</sub> dB(A)	102	102	102
<b>Niveaux sonores</b> <sup>29</sup>			
Pression acoustique équivalente au niveau des oreilles de l'utilisateur, mesurée selon EN ISO 10517, dB(A)	93	93	93
<b>Niveaux de vibrations</b> <sup>30</sup>			
Niveaux de vibrations équivalents (a <sub>hv,eq</sub> ) mesurés au niveau des poignées selon EN ISO 10517, en m/s <sup>2</sup> :			
Avant/arrière, mm/s <sup>2</sup>	2,7/1,2	2,8/1,3	2,1/2,2
<b>Lames</b>			
Type	Double tranchant	Double tranchant	Double tranchant
Longueur de coupe, mm	600	600	750
Vitesse de coupe, taille/min	4400	3 200	3 200

<sup>28</sup> Émissions sonores dans l'environnement mesurées comme puissance sonore (L<sub>WA</sub>) selon la directive européenne CE 2000/14/CE. Le niveau de puissance sonore reporté pour le produit a été mesuré avec l'équipement de coupe d'origine qui donne le niveau le plus élevé. Le niveau de puissance sonore garanti diffère du niveau mesuré car il prend également en compte la dispersion et les variations d'un produit à l'autre du même modèle, conformément à la directive 2000/14/CE.

<sup>29</sup> Les données reportées pour le niveau de pression sonore montrent une dispersion statistique typique (déviat-ion standard) de 1 dB(A).

<sup>30</sup> Les données reportées pour le niveau de vibrations montrent une dispersion statistique typique (déviat-ion standard) de 1 m/s<sup>2</sup>.

# Déclaration de conformité

## Déclaration de conformité UE

Nous, **Husqvarna AB**, SE-561 82 Huskvarna, Suède,  
tél : +46-36-146500, déclarons sous notre entière  
responsabilité que le produit :

<b>Description</b>	Taille-haie
<b>Marque</b>	Husqvarna
<b>Type/Modèle</b>	522HD60X, 522HDR60X, 522HDR75X
<b>Identification</b>	Les numéros de série à partir de 2022 et ultérieurs

est entièrement conforme à la réglementation et aux  
directives de l'UE suivantes :

Réglementation	Description
2006/42/EC	« relative aux machines »
2014/30/UE	« relative à la compatibilité électromagnétique »
2000/14/EC	« relative aux émissions sonores dans l'environnement »
2011/65/UE	« relative à la limitation de l'utilisation de certaines substances dangereuses au sein d'équipements électriques et électroniques »

et que les normes et/ou les spécifications techniques  
suivantes sont appliquées : EN ISO 12100:2021,  
CISPR 12: 2009, EN ISO 10517:2009/A1:2013, EN IEC  
63000:2018.

RISE SMP Svensk Maskinprovning AB, a procédé à des  
examens volontaires pour le compte de Husqvarna AB.  
Numéro de certificat : SEC/18/2518.

RISE SMP Svensk Maskinprovning AB, a vérifié  
la conformité avec la Directive du Conseil  
du 8 mai 2000 « relative aux émissions  
sonores dans l'environnement » 2000/14/CE.  
Numéros de certificat : 01/094/026-522HD60X,  
01/094/027-522HDR60X, 522HDR75X.

Pour toute information relative aux émissions sonores,  
voir *Caractéristiques techniques à la page 148*.

Huskvarna, 2022-05-09

Stefan Holmberg, Directeur R&D, gestion de la  
technologie, Husqvarna AB

Responsable de la documentation technique



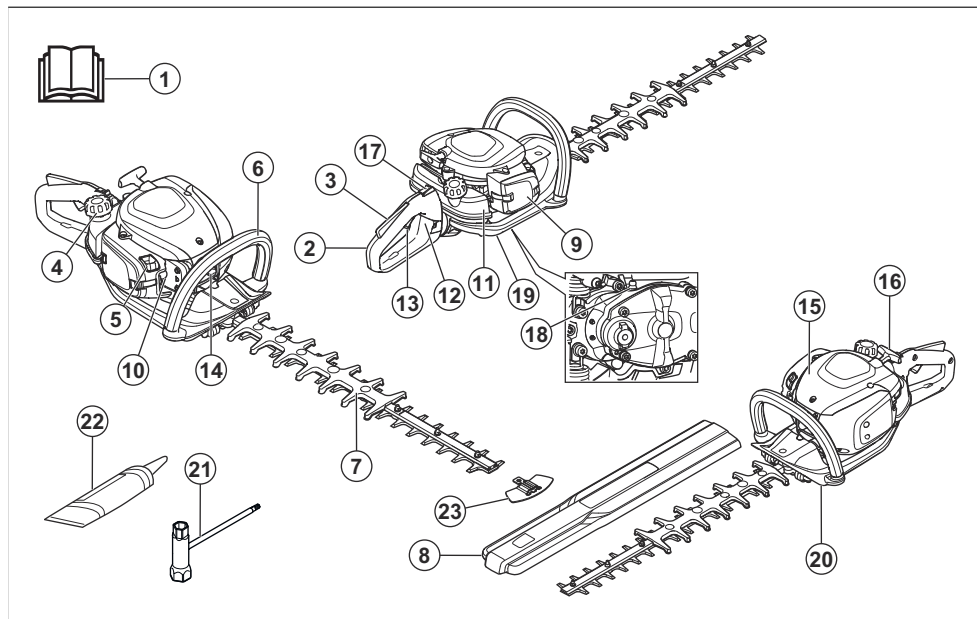
Two handwritten signatures in black ink are visible. The first signature is on the left and the second is on the right, both appearing to be in cursive script.

## Sadržaj

Uvod.....	151	Prijevoz, spremanje i zbrinjavanje.....	162
Sigurnost.....	152	Tehnički podaci.....	163
Rad.....	157	Izjava o sukladnosti.....	165
Održavanje.....	159		

## Uvod

### Pregled proizvoda



1. Korisnički priručnik
2. Stražnja ručka
3. Blokada regulatora gasa
4. Čep spremnika za gorivo
5. Regulator čoka
6. Prednja ručka
7. Nož i štitnik noža
8. Transportni štitnik
9. Poklopac filtra zraka
10. Čašica pumpice za gorivo
11. Spremnik za gorivo
12. Zaključavanje ručke
13. Regulator gasa
14. Kapica svječice i svječica
15. Pokrov cilindra
16. Ručica za paljenje
17. Prekidač za zaustavljanje
18. Mazalica
19. Kucište zupčanika
20. Štitnik za ruku
21. Kombinirani viličasti ključ
22. Tuba maziva
23. Štitnik vrha noža

### Opis proizvoda

Ovaj proizvod su škare za živicu s motorom s unutarnjim sagorijevanjem.

### Namjena

Proizvod se upotrebljava za rezanje grana i grančica. Proizvod nemojte koristiti za druge zadatke.

## Simboli na proizvodu



Stop.



Budite oprezni i pravilno upotrebljavajte ovaj proizvod. Ovaj proizvod može izazvati teške ozljede ili smrt rukovatelja ili drugih osoba.



Pažljivo pročitajte korisnički priručnik i prije upotrebe dobro usvojite sadržaj.



Upotrebljavajte odobrenu zaštitu sluha i odobrenu zaštitu za oči.



Koristite odobrene zaštitne rukavice.



Nosite čizme za teške uvjete rada otporne na klizanje.

# T

Vijak za podešavanje praznog hoda.

# H

Igla za visoku brzinu.

# L

Igla za nisku brzinu.



Emisije buke u okolišu u skladu s europskom Direktivom 2000/14/EC i propisom za zaštitu od radova u okolišu (kontrola buke) Novog Južnog Walesa iz 2017. Podaci o emisiji buke navedeni su na naljepnici i u poglavlju Tehnički podaci.

# CE

Proizvod ispunjava mjerodavne direktive EZ.

# UK CA

Ovaj je proizvod u skladu s važećim direktivama UK-a.

gggg**tt**booox

Na natpisnoj pločici je serijski broj. **gggg** je godina proizvodnje, a **tt** je tje-dan proizvodnje.

**Napomena:** Drugi simboli/naljepnice na proizvodu odnose se na zahtjeve za certifikaciju na pojedinim tržištima.

## Standard za emisije Euro V.



**UPOZORENJE:** Petljanjem po motoru gubite pravo na odobrenje EU-a ovog proizvoda.

## Sigurnost

### Sigurnosne definicije

Upozorenjima, oprezima i napomenama naglašavaju se posebno važni dijelovi priručnika.



**UPOZORENJE:** Koristi se kada nepoštivanje uputa iz priručnika može uzrokovati smrt ili ozljede rukovatelja ili promatrača.



**OPREZ:** Koristi se kada nepoštivanje uputa iz priručnika može uzrokovati oštećenje proizvoda ili drugih materijala u neposrednoj blizini.

**Napomena:** Koristi se prikaz neophodnih dodatnih informacija za zadanu situaciju.

### Opće sigurnosne upute



**UPOZORENJE:** Prije upotrebe proizvoda pročitajte upozoravajuće upute u nastavku.

- Nepravilnom ili nemarnom upotrebom proizvoda postaju opasan alat i mogu prouzročiti ozbiljne ozljede te, u najgorem slučaju, smrt. Izuzetno je važno da pročitate i razumijete sadržaj ovog korisničkog priručnika.
- Proizvod tijekom rada proizvodi elektromagnetsko polje. To polje u određenim okolnostima može



ometati aktivne ili pasivne medicinske implantate. Za smanjenje opasnosti od uvjeta koji mogu uzrokovati ozljede ili smrt, osobama s medicinskim implantatima prije korištenja ovog uređaja preporučujemo obraćanje liječniku i proizvođaču medicinskog implantata.

- Preveliko izlaganje vibracijama može uzrokovati poremećaj cirkulacije ili oštećenje živčanog sustava kod ljudi sa slabom cirkulacijom. Obratite se svom doktoru ukoliko imate simptome uzrokovane prevelikim izlaganjem vibracijama. Simptomi uključuju obamrlost, nedostatak osjećaja, škakljanje, trnce, bol, gubitak snage, promjene boje ili stanja kože. Simptomi se uglavnom javljaju na prstima, rukama ili zglobovima. Opasnost se može povećati pri niskim temperaturama.
- Ako dođete u situaciju u kojoj niste sigurni što napraviti, obratite se stručnjaku. Obratite se zastupniku ili serviseru. Izbjegavajte sve upotrebe za koje procijenite da su izvan vaših mogućnosti.
- Ne zaboravite kako je korisnik odgovoran za nezgode ili dovođenje u opasnost drugih osoba ili njihove imovine.
- Nemojte nikada dopustiti nikome drugom da upotrijebi ovaj proizvod, a da se prije toga ne osigurate da je razumio upute sadržane u priručniku
- Djeca ne smiju koristiti ovaj proizvod niti boraviti u njegovoj blizini. Budući da je ovaj proizvod opremljen prekidačem s oprugom za isključivanje i moguće ga je pokrenuti malom brzinom i silom na ručici pokretača, u određenim okolnostima čak i mala djeca mogu proizvesti dovoljnu silu za pokretanje stroja. To može rezultirati ozbiljnim tjelesnim ozljedama. Stoga uklonite kapicu svječiće ako ovaj proizvod nije pod strogim nadzorom.
- Proizvod spremite izvan dohvata djece.
- Nikada nemojte upotrebljavati ovaj proizvod ako ste umorni, ako ste pili alkohol ili uzeli lijek koji djeluje na vaš vid, sposobnost rasuđivanja ili koordinaciju.
- Nikada nemojte upotrebljavati neispravan proizvod. Izvršavajte redovne provjere, održavanje i servis kao što je opisano u ovom priručniku. Neke od radnji održavanja i servisiranja trebaju vršiti isključivo obučeni i kvalificirani stručnjaci. Pročitajte upute pod naslovom Održavanje.
- Nikada nemojte upotrebljavati proizvod koji je na bilo koji način izmijenjen u odnosu na izvorne specifikacije.

## Sigurnosne upute za rad



**UPOZORENJE:** Prije upotrebe proizvoda pročitajte upozoravajuće upute u nastavku.

- Nikada nemojte koristiti ovaj proizvod u iznimnim klimatskim uvjetima poput velike hladnoće ili velike topline i/ili velike vlažnosti.
- Neispravni noževi mogu povećati opasnost od nezgoda.

- Osigurajte se da nitko ne priđe bliže od 15 m / 50 ft kada radite.
- Pregledajte okolinu i pobrinite se da nema opasnosti da ljudi ili životinje dođu u doticaj s reznom opremom.
- Pregledajte radno područje. Uklonite sva tijela koja mogu biti izbačena strojem.
- Obavezno osigurajte siguran i stabilan radni položaj.
- Proizvod s uključenim motorom nije dopušteno ostaviti bez nadzora.
- Rukama i stopalima nemojte prilaziti reznoj jedinici dok je motor u pogonu.
- Ako se nešto zaglavi u noževima dok radite, ugasite motor i pričekajte dok se potpuno ne zaustavi prije čišćenja noževa. Odvojite visokonaponski vod od svječiće. Pročitajte odjeljak *Pregled noževa na stranici 162*.
- Kada je motor isključen, rukama i stopalima nemojte prilaziti reznoj jedinici dok se potpuno ne zaustavi.
- Pripazite na panjeve ili grane koje stroj može izbaciti prilikom rezanja.
- Uvijek budite pozorni u zapažanju znakova upozorenja ili dovika kada se rabi zaštita sluha. Uvijek uklonite zaštitu sluha čim zaustavite motor.
- Nikada nemojte raditi s ljestvi, stolice ili drugog nepotpuno osiguranog povišenog položaja.
- Uvijek držite ovaj proizvod s obje ruke. Ovaj proizvod držite ispred svojeg tijela.
- Ako udarite u strani predmet ili osjetite vibracije, odmah zaustavite proizvod. Odvojite visokonaponski vod od svječiće. Provjerite je li proizvod oštećen. Po potrebi popravite.
- Kapu svječiće i vod za paljenje moraju biti ispravni kako bi se spriječio rizik od strujnog udara.
- Provjerite zategnutost svih matrica i vijaka.
- Provjerite je li kućište mjenjača pravilno podmazano. Pročitajte odjeljak *Podmazivanje kućišta mjenjača na stranici 162*.
- Kućište mjenjača ostane vruće nakon korištenja proizvoda. Da biste spriječili opekline, ne dodirujte kućište mjenjača.
- Prije pokretanja moraju se montirati svi poklopci i štitići.
- Transportni štitić mora uvijek biti montiran na reznu jedinicu kada ovaj proizvod nije u upotrebi.

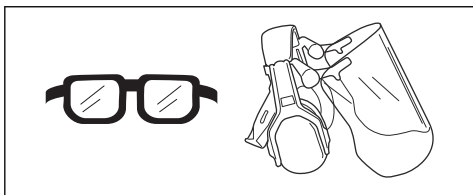
## Oprema za osobnu zaštitu



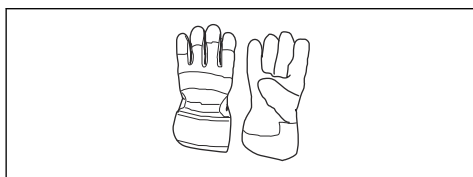
**UPOZORENJE:** Prije upotrebe proizvoda pročitajte upozoravajuće upute u nastavku.

- Prilikom uporabe proizvoda uvijek upotrebljavajte odobrenu osobnu zaštitnu opremu. Oprema za osobnu zaštitu ne može u potpunosti spriječiti ozljede, no smanjuje stupanj ozljede u slučaju nezgode. Pri odabiru odgovarajuće opreme zatražite pomoć ovlaštenog trgovca.

- Upotrebljavajte odobrenu zaštitu sluha koja osigurava odgovarajuće prigušenje zvuka. Dugotrajno izlaganje buci može uzrokovati trajne povrede sluha.
- Koristite odobrenu zaštitu za oči. Ako nosite vizir, morate nositi i odobrene zaštitne naočale. Odobrene zaštitne naočale moraju ispunjavati standard ANSI Z87.1 za SAD ili EN 166 za države EU.



- Prema potrebi nosite rukavice, primjerice prilikom pričvršćenja, pregleda ili čišćenja rezne opreme.



- Nosite čvrste, protuklizne čizme ili cipele.



- Nosite odjeću napravljenu od čvrstog materijala. Uvijek nosite teške duge hlače i duge rukave. Nemojte nositi široku odjeću koja može zapinjati za grane i prutove. Nemojte nositi nakit, kratke hlače, sandale ili biti bos. Kosu podignite iznad ramena.
- Imajte u blizini pribor za prvu pomoć.



## Sigurnosne upute za proizvod



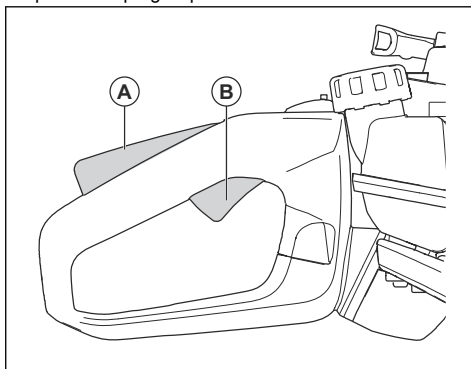
**UPOZORENJE:** Prije korištenja proizvoda pročitajte upozoravajuće upute u nastavku.

- Nemojte koristiti proizvod s oštećenim zaštitnim uređajima.

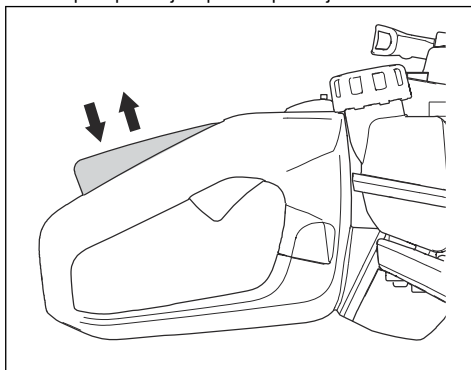
- Redovito pregledavajte sigurnosne uređaje. Ako su sigurnosni uređaji neispravni, obratite se Husqvarna ovlaštenom trgovcu.

## Provjera blokade regulatora gasa

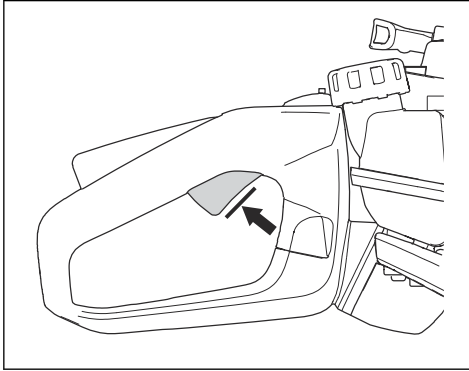
1. Provjerite kreću li se slobodno blokada regulatora gasa (A) i regulator gasa (B) te funkcionira li povratna opruga ispravno.



2. Pritisnite blokadu regulatora gasa pa provjerite vraća li se po otpuštanju u početni položaj.



3. Provjerite je li regulator gasa blokiran u praznom hodu pri otpuštanju blokade regulatora gasa.



4. Pokrenite proizvod i primijenite puni gas.
5. Pustite regulator gasa i provjerite zaustavljaju li se oštrice i ostaju li mirovati.



**UPOZORENJE:** Ako se oštrice okreću kada se regulator nalazi u položaju za prazni hod, potrebno je izmijeniti postavke praznog hoda rasplinjača. Pogledajte *Podešavanje broja okretaja u praznom hodu* na stranici 160.

#### Provjera sklopke za zaustavljanje

1. Pokrenite motor.
2. Sklopku za zaustavljanje gurnite u položaj za zaustavljanje i provjerite zaustavlja li se motor.



**UPOZORENJE:** Prekidač za zaustavljanje automatski se vraća u položaj za pokretanje. Da biste pri sastavljanju ili održavanju proizvoda spriječili nehotično pokretanje, sa svječiće skinite ulicu svječiće.

#### Provjera štitnika za ruku

Štitnik za ruku sprječava ozljede oštricama.

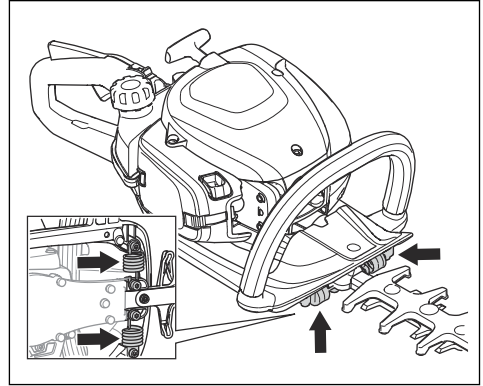
1. Zaustavite motor.
2. Štitnik za ruku mora biti pravilno pričvršćen.
3. Provjerite ima li štitičnik za ruku oštećenja.

#### Provjera sustava za smanjenje vibracija

Sustav za smanjivanje vibracija smanjuje vibracije u ručki. Jedinice za smanjivanje vibracija funkcioniraju kao razdvajanje između tijela proizvoda i jedinice ručke.

1. Vizualno potražite izobličenja i oštećenja.

2. Provjerite jesu li ispravno pričvršćene jedinice za ublažavanje vibracija.



#### Provjera prigušivača



**UPOZORENJE:** Ovaj proizvod nemojte upotrebljavati bez prigušivača ili s neispravnim prigušivačem. Neispravni prigušivač može povećati razinu buke i opasnost od požara. Proizvod nemojte upotrebljavati ako je mrežica za hvatanje iskri oštećena ili ako ne postoji. Ako je mrežica za hvatanje iskri oštećena, morate je zamijeniti.



**UPOZORENJE:** Prigušivači se jako zagrijavaju tijekom i nakon rada, također i u praznom hodu.



**OPREZ:** Ako se mrežica za hvatanje iskri često začepljuje, to može biti znak smanjene učinkovitosti katalizatora. Za pregled prigušivača obratite se distributeru. Začepljena mrežica za hvatanje iskri izazvat će pregrijavanje i rezultirati oštećenjem cilindra i klipa.

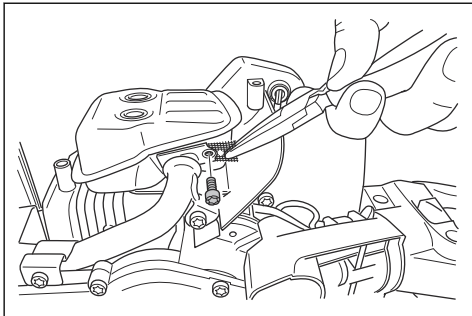


**UPOZORENJE:** Unutarnje površine prigušivača obložene su kancerogenim kemikalijama. Budite pažljivi i nemojte dodirivati te dijelove na oštećenom prigušivaču.

Prigušivač razinu buke održava na minimumu i ispušne plinove usmjerava dalje od rukovatelja. Prigušivač s katalizatorom smanjuje količinu štetnih ispušnih plinova.

1. Zaustavite motor.
2. Vizualno potražite oštećenja i izobličenja.
3. Provjerite pravilnu pričvršćenost prigušivača za proizvod.

4. Žičanom četkom očistite mrežicu za hvatanje iskri.



### Provjera noževa i štitnika noževa

Vanjski dijelovi noževa funkcioniraju kao štitnik noževa. Štitnik noževa sprječava porezotine.

1. Zaustavite motor i provjerite jesu li se noževi zaustavili.
2. Skinite lulicu svječiće sa svječiće.
3. Navucite zaštitne rukavice.
4. Provjerite da nož i štitnik noža nisu oštećeni ni savijeni. Obavezno zamijenite oštećeni ili savijeni nož odnosno oštećeni štitnik noževa.
5. Provjerite jesu li vijci na noževima i štitniku noževa dobro pričvršćeni.

### Sigurnost pri rukovanju s gorivom



**UPOZORENJE:** Prije korištenja proizvoda pročitajte upozoravajuće upute u nastavku.

- Nemojte pokretati proizvod ako u njemu ima goriva ili motornog ulja. Uklonite neželjeno gorivo/ulje i pričekajte na sušenje proizvoda.
- Ako gorivo proljeće po odjeći, odmah ju zamijenite.
- Gorivu nemojte dopustiti kontakt s tijelom jer može uzrokovati ozljede. Ako dođe do kontakta goriva s tijelom, sapunom i vodom isperite gorivo.
- Nemojte pokretati proizvod ako motor propušta. Redovito pregledavajte ima li na motoru propuštanja.
- Budite pažljivo s gorivom. Gorivo je zapaljivo, a pare su eksplozivne i mogu uzrokovati ozljede i smrt.
- Nemojte udisati pare goriva, one mogu uzrokovati ozljede. Osigurajte dovoljan protok zraka.
- U blizini goriva ili motora nemojte pušiti.

- U blizini goriva ili motora nemojte stavljati vruće predmete.
- Nemojte ulijevati gorivo kada je motor uključen.
- Prije ulijevanja goriva provjerite je li motor hladan.
- Prije ulijevanja goriva polako otvorite čep spremnika goriva i pažljivo ispuštite tlak.
- Nemojte ulijevati gorivo u motor u zatvorenom prostoru. Nedovoljan protok zraka može uzrokovati ozljede ili smrt zbog gušenja ili trovanja ugljičnim monoksidom.
- Potpuno zategnite čep spremnika za gorivo. Ako čep spremnika za gorivo nije zategnut, postoji opasnost od požara.
- Prije pokretanja proizvod odmaknite najmanje 3 m / 10' od mjesta punjenja spremnika.
- Spremnik za gorivo nemojte puniti do kraja. Zagrijavanje uzrokuje širenje goriva. Ostavite mjesta pri vrhu spremnika za gorivo.

### Sigurnosne upute za održavanje



**UPOZORENJE:** Prije upotrebe proizvoda pročitajte upozoravajuće upute u nastavku.

- Zaustavite motor i provjerite je li se rezna oprema zaustavila. Prije održavanja pričekajte da se proizvod ohladi.
- Odvojite lulicu svječiće prije provođenja održavanja.
- Ispušni plinovi iz motora sadrže ugljikov monoksid, vrlo opasan otrovni plin bez mirisa koji može uzrokovati smrt. Proizvod nemojte pogoniti u zatvorenom ili uskom prostoru.
- Ispušne pare motora vruće su i mogu sadržavati vruće iskri. Proizvod nemojte pogoniti u zatvorenom prostoru ili u blizini zapaljivog materijala.
- Dodaci i izmjene proizvoda bez odobrenja proizvođača mogu uzrokovati ozbiljne ozljede ili smrt. Nemojte mijenjati proizvod. Obavezno upotrebljavajte originalne dodatke.
- Ako se održavanje ne provodi ispravno i redovno, povećava se opasnost od ozljede i oštećenja proizvoda.
- Održavanje provodite samo prema preporukama iz korisničkog priručnika. Sva druga servisiranja prepustite ovlaštenom serviseru tvrtke Husqvarna.
- Redovno servisirajte proizvod kod ovlaštenog serviseru tvrtke Husqvarna.
- Zamijenite oštećene, istrošene ili polomljene dijelove.

# Rad

## Uvod



**UPOZORENJE:** Prije upotrebe proizvoda pročitajte i usvojite poglavlje o sigurnosti.

## Gorivo

Proizvod ima dvotaktni motor.



**OPREZ:** Neispravna vrsta goriva može uzrokovati oštećenje motora. Upotrebljavajte mješavinu benzina i ulja za dvotaktne motore.

## Prethodno izmiješano gorivo

- Upotrebljavajte Husqvarna prethodno izmiješano alkatilno gorivo za najbolje performanse motora i produljenje njegova životnog vijeka. To gorivo sadrži manje štetnih kemikalija u usporedbi s uobičajenim gorivom koje sadržava štetne ispušne plinove. Količina ostataka nakon sagorijevanja manja je s ovim gorivom, što komponente motora održava čistijima.

## Miješanje goriva

### Benzin

- Upotrebljavajte kvalitetni bezolovni benzin s maksimalnim udjelom etanola od 10 %.



**OPREZ:** Nemojte upotrebljavati benzin s oktanskim brojem manjim od 90 RON / 87 AKI. Upotreba nižeg oktanskog broja može prouzročiti lupanje u motoru, što izaziva oštećenja motora.

### Ulje za dvotaktne motore

- Za najbolje rezultate i performanse upotrebljavajte Husqvarna ulje za dvotaktne motore.
- Ako ulje za dvotaktne motore tvrtke Husqvarna nije dostupno, upotrijebite neko drugo ulje za dvotaktne motore dobre kvalitete za motore sa zračnim hlađenjem. O odabiru ispravne vrste ulja razgovarajte sa svojim servisnim zastupnikom.



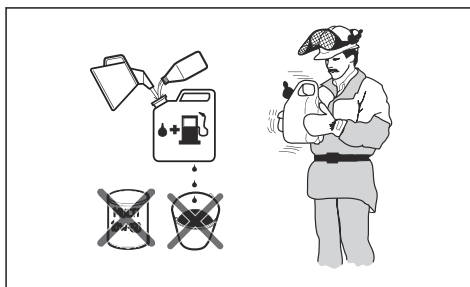
**OPREZ:** Ne upotrebljavajte ulje za dvotaktne vanbrodske motore hlađene vodom, poznato još i kao ulje za vanbrodske motore. Nemojte upotrebljavati ulje za četverotaktne motore.

## Miješanje benzina i ulja za dvotaktne motore

Benzin, litra	Ulje za dvotaktne motore, litra
	<b>2 % (50:1)</b>
5	0,10
10	0,20
15	0,30
20	0,40



**OPREZ:** Čak i male pogreške mogu drastično utjecati na omjer mješavine kada miješate manje količine goriva. Pažljivo izmjerite količinu ulja kako biste bili sigurni da ćete dobiti ispravnu mješavinu.



- Polovicu količine benzina ulijte u čisti spremnik za gorivo.
- Ulijte cijelu količinu ulja.
- Promiješajte mješavinu goriva.
- Ulijte preostalu količinu benzina u spremnik.
- Pažljivo promiješajte mješavinu goriva.



**OPREZ:** Gorivo ne miješajte za razdoblje dulje od 1 mjeseca.

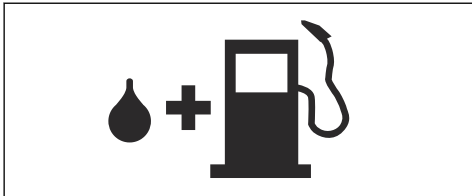
## Punjenje spremnika za gorivo



**UPOZORENJE:** Pratite postupak koji osigurava vašu sigurnost.

- Zaustavite motor i pričekajte na hlađenje motora.

2. Očistite područje oko čepa spremnika za gorivo.



3. Protresite spremnik i provjerite je li gorivo u potpunosti izmiješano.
4. Čep spremnika za gorivo uklonite polako kako biste otpustili tlak.
5. Napunite spremnik za gorivo.



**OPREZ:** U spremniku za gorivo ne smije biti previše goriva. Gorivo se širi kada je vruće.

6. Pažljivo pritegnite čep spremnika za gorivo.
7. Očistite proliveno gorivo s i oko proizvoda.
8. Prije pokretanja motora odmaknite ovaj proizvod 3 m / 10 stopa od mjesta na kojemu nadolijevate gorivo.

**Napomena:** Da biste saznali gdje se na vašem proizvodu nalazi spremnik za gorivo, pročitate odjeljak *Pregled proizvoda na stranici 151*.

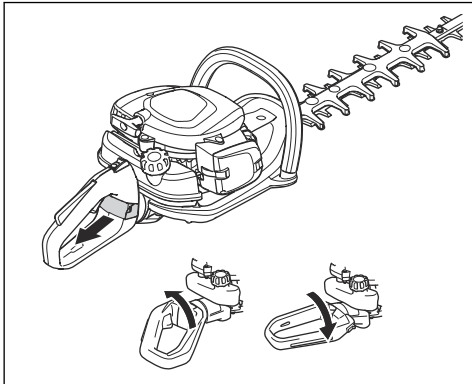
## Ugradnja štitnika vrha noža

1. Uklonite maticu i vijak s vrha noža.
2. Ugradite štitnik vrha noža na vrh noža.
3. Umetnite vijak i zategnite ga na 7 Nm.
4. Umetnite maticu i zategnite je na 5 Nm.

## Prilagodba ručke

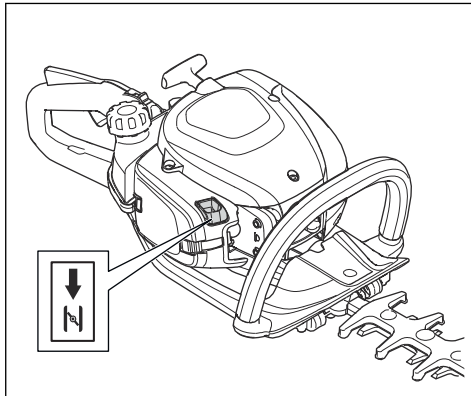
Stražnja se ručka može podesiti u 3 različita položaja.

- Otpustite blokadu ručke i okrenite ručku.



## Pokretanje proizvoda s hladnim motorom

1. Regulator čoka pomaknite u položaj za čok.



2. Otprilike šest puta pritisnite čašicu pumpice za gorivo ili dok se čašica ne počne puniti gorivom. Nije neophodno do kraja napuniti čašicu pumpice za gorivo.
3. Kucište proizvoda lijevom rukom pritisnite uz tlo. Nemojte nagaziti na proizvod.
4. Ručicu užeta pokretača povlačite polako desnom rukom dok ne osjetite otpor, a potom je povucite brzo i snažno.



**UPOZORENJE:** Nikad ne omotavajte užu za paljenje oko ruke.



**OPREZ:** Ne rastežite u potpunosti užu pokretača i ne puštajte ručicu užeta pokretača.

5. Nastavite povlačiti ručicu užeta pokretača dok se motor ne pokrene, a zatim gurnite regulator čoka u prvotni položaj.



**UPOZORENJE:** Noževi se okreću kada se motor pokrene.

6. Nastavite povlačiti ručicu užeta za pokretanje do pokretanja motora.
7. Gurnite i otpustite regulator gasa da biste za motor postavili broj okretaja u praznom hodu.
8. Postupno gurajte regulator gasa kako biste povećali broj okretaja motora.
9. Pogon motora mora biti uglađen.

## Pokretanje proizvoda s toplim motorom

1. Kucište proizvoda lijevom rukom pritisnite uz tlo. Nemojte nagaziti na proizvod.

2. Ručicu užeta pokretača povlačite polako desnom rukom dok ne osjetite otpor, a potom je povucite brzo i snažno. Ponavljajte radnju dok se motor ne pokrene.

**Napomena:** Dodatne informacije o pokretanju proizvoda potražite u odjeljku *Pokretanje proizvoda s hladnim motorom na stranici 158.*

## Zaustavljanje proizvoda

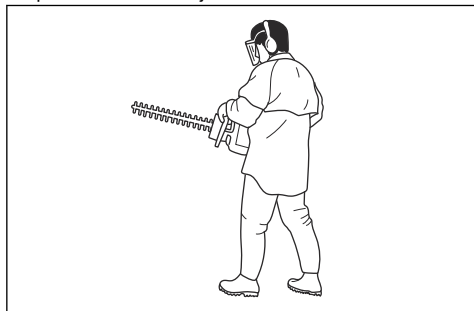
- Za zaustavljanje motora pomaknite prekidač za zaustavljanje u položaj za zaustavljanje.



**OPREZ:** Prekidač za zaustavljanje automatski se vraća u položaj za pokretanje.

## Rad s proizvodom

1. Pri rezanju bočnih strana započnite u blizini tla i pomičite proizvod uz živicu. Pazite da tijelo ovog proizvoda ne dodiruje živicu.



## Održavanje

### Uvod



**UPOZORENJE:** Prije održavanja proizvoda pročitajte i usvojite sigurnosno poglavlje.

### Raspored održavanja

Održavanje	Prije rada	Nakon 40 sati	Nakon 100 sati
Očistite vanjsku površinu.		Poslije svake upotrebe.	
Očistite prigušivač, ispušnu cijev i motor od lišća, prljavštine i viška maziva.		Poslije svake upotrebe.	
Pobrinite se da se rezni nastavak ne okreće u praznom hodu.	X		
Provjerite sklopku za zaustavljanje.	X		



**UPOZORENJE:** Pobrinite se da prednji dio rezne opreme ne dodiruje tlo.

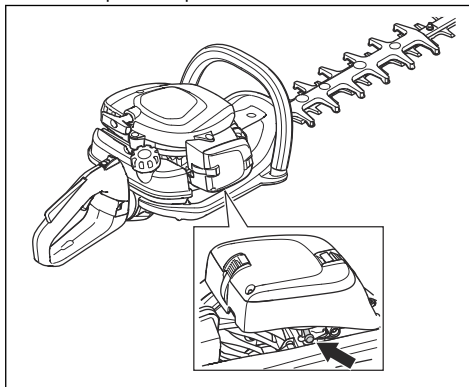
2. Brzinu prilagodite radnom opterećenju.
3. Proizvod držite blizu tijela kako biste ostvarili stabilan radni položaj.
4. Budite oprezni i polako se koristite ovim proizvodom.

Održavanje	Prije rada	Nakon 40 sati	Nakon 100 sati
Pregledajte ima li na reznom nastavku i štitniku reznog nastavka oštećenja ili pukotina. Ako su oštećeni, zamijenite ih.	X		
Pregledajte ima li na štitniku za ruke oštećenja ili pukotina. Ako su oštećeni, zamijenite ih.	X		
Provjerite blokadu regulatora gasa i regulator gasa.	X		
Pregledajte ima li ispuštanja na motoru, spremniku i vodovima za gorivo.	X		
Zategnite matice i vijke.	X		
Provjerite čistoću filtra za gorivo te ima li na crijevu za gorivo pukotina ili drugih oštećenja. Ako je potrebno, zamijenite ga.	X		
Provjerite ima li oštećenja na pokretaču ili užetu pokretača.		X	
Očistite filter zraka. Ako je to potrebno, zamijenite ih.		X	
Pregledajte ima li na oštećenja i pukotina na jedinicama za ublažavanje vibracija.		X	
Pregledajte svječicu, pogledajte <i>Pregled svjećice na stranici 161</i> .		X	
Očistite rashladni sustav.		X	
Očistite vanjsku površinu rasplinjača i prostor oko njega.		X	
Očistite ili zamijenite mrežicu za sprječavanje iskri.			X
Očistite unutarnje površine spremnika za gorivo.			X
Pregledajte svječicu.			X
Pobrinite se da je kućište mjenjača napunjeno mazivom.			X

## Podešavanje broja okretaja u praznom hodu

- Očistite filter za zrak i poklopac filtra za zrak.
- Pokrenite proizvod, pogledajte *Pokretanje proizvoda s hladnim motorom na stranici 158*.

- Vijak T za podešavanje broja okretaja u praznom hodu okrećite u smjeru kretanja kazaljke na satu dok se rezni pribor ne počne okretati.



- Vijak za podešavanje broja okretaja u praznom hodu okrećite u smjeru suprotnom od kazaljke na satu sve dok se rezni pribor ne zaustavi.





**UPOZORENJE:** Ako se rezni pribor ne zaustavi nakon podešavanja broja okretaja u praznom hodu, obratite se najbližem servisnom zastupniku. Proizvod ne upotrebljavajte dok nije ispravno podešen ili popravljen.

**Napomena:** Broj okretaja motora u praznom hodu ispravan je kada motor radi ugladeno u svim položajima. Preporučeni broj okretaja u praznom hodu potražite pod *Tehnički podaci na stranici 163.*

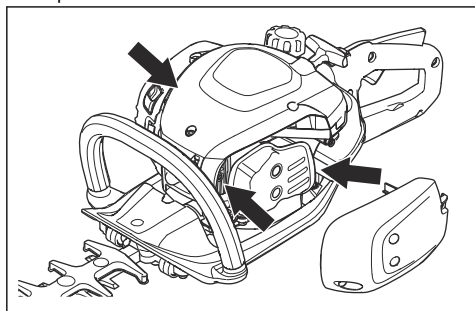
## Čišćenje rashladnog sustava

Rashladni sustav održava temperaturu motora niskom. Rashladni sustav obuhvaća rashladna rebra na cilindru (A) i kućište pokretača.



**OPREZ:** Usis zraka između spremnika za gorivo i kućišta lako se može blokirati lišćem. U potpunosti očistite usis zraka.

1. Rashladni sustav čistite četkom jednom tjedno ili češće ako je to potrebno.
2. Pobrinite se da rashladni sustav nije prljav ili neprohodan.



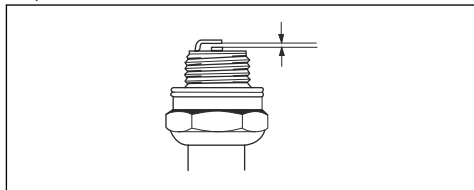
## Pregled svjeće



**OPREZ:** Uvijek koristite preporučenu vrstu svjeće. Neodgovarajuća vrsta svjeće može oštetiti proizvod.

- Ako motor nema snage, teško se pokreće ili ne radi ispravno u praznom hodu, pregledajte svjeću.
- Za smanjenje opasnosti od nepoželjnog materijala na elektrodama svjeće pratite sljedeće upute:
  - a) Provjerite je li broj okretaja pri praznom hodu pravilno podešen.
  - b) Provjerite ispravnost mješavine goriva.
  - c) Provjerite je li filter zraka čist.

- Ako je svjeća prljava, očistite je i provjerite ispravnost zazora elektroda, pogledajte *Tehnički podaci na stranici 163.*

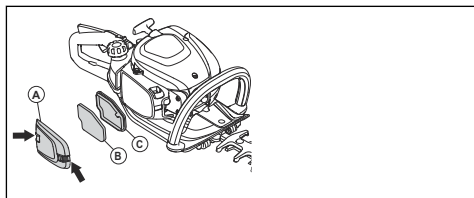


- Ako je potrebno, zamijenite svjeću.

## Čišćenje filtra zraka

Redovito čistite filter zraka od prljavštine i prašine. Time sprječavate kvarove rasplinjača, probleme pri pokretanju, gubitak snage motora, trošenje dijelova motora i povećanu potrošnju goriva od uobičajene.

1. Skinite poklopac filtra zraka (A).
2. Skinite spužvasti filter (B) i filcni filter (C) s okvira za filtre.



3. Zamijenite filcni filter (C).
4. Očistite spužvasti filter (B) toplom sapunicom.

**Napomena:** Dugo upotrebljavani filter zraka nije moguće u potpunosti očistiti. Redovito mijenjajte filter zraka, a uvijek zamijenite neispravni filter zraka.

5. Pobrinite se da spužvasti filter (B) bude suh.
6. Nanesite ulje filtra zraka na spužvasti filter (B). Pogledajte *Nanošenje ulja na filter za zrak na stranici 161*
7. Očistite unutarnju površinu poklopca filtra zraka (A). Upotrijebite komprimirani zrak ili četku.

## Nanošenje ulja na filter za zrak



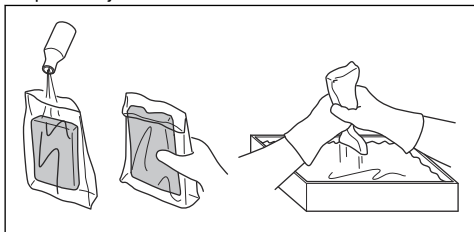
**OPREZ:** Uvijek upotrebljavajte specijalno ulje za filter zraka Husqvarna. Nemojte koristiti druge vrste ulja.



**UPOZORENJE:** Navucite zaštitne rukavice. Ulje filtra za zrak može iritirati kožu.

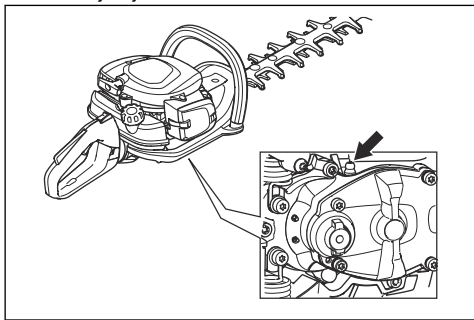
1. Filter za zrak stavite u plastičnu vrećicu.
2. Uljite ulje u plastičnu vrećicu.

3. Proturljajte plastičnu vrećicu kako biste omogućili ravnomjeran raspored ulja u filtru za zrak.
4. Izgurajte višak ulja iz filtra za zrak dok je još u plastičnoj vrećici.



### Podmazivanje kućišta mjenjača

- Koristite posebno mazivo poduzeća Husqvarna. Za više informacija o preporučenoj masti razgovarajte sa svojim servisnim zastupnikom.
- Mast ulijevajte kroz nazuvicu za mast.



**OPREZ:** Kućište mjenjača nemojte potpuno napuniti mazivom.

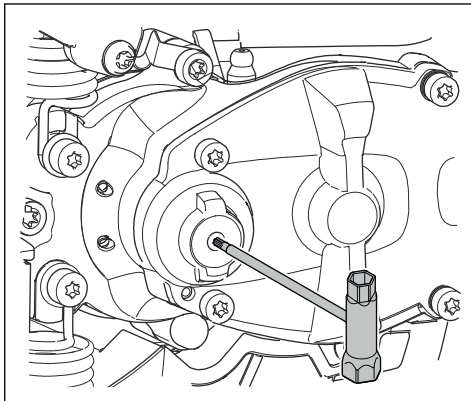
### Čišćenje i podmazivanje noževa

1. Prije i nakon upotrebe proizvoda noževe od neželjenog materijala očistite sredstvom za čišćenje.
2. Podmažite noževe prije duljeg razdoblja skladištenja.

**Napomena:** Više informacija o preporučenim sredstvima za čišćenje i mazivima zatražite od servisnog zastupnika.

### Pregled noževa

1. Skinite poklopac s kućišta mjenjača.
2. Provjerite pomiču li se noževi neometano. Kombinirani viličasti ključ stavite u kućište mjenjača pa ga okrećite u smjeru kretanja kazaljke na satu i suprotno od njega.



3. Pregledajte jesu li noževi oštećeni ili deformirani.
4. Turpijom uklonite neravnine s noževa.

## Prijevoz, spremanje i zbrinjavanje

### Prijevoz i skladištenje

- Prije nego što pospremite ovaj proizvod, uvijek ga pustite da se ohladi.
- Za prijevoz i skladištenje proizvoda i goriva uvjerite se kako nema propuštanja ili isparavanja. Iskre ili otvoren plamen, primjerice od električnih uređaja ili bojlera, mogu uzrokovati požar.
- Za prijevoz i skladištenje goriva obavezno upotrebljavajte odobrene spremnike.

- Izlijte gorivo prije prijevoza ili prije dugotrajnog skladištenja. Zbrinite gorivo na prikladnoj lokaciji za zbrinjavanje.
- Za transport i skladištenje postavite prijenosni štitnik.
- Skinite lulicu svječiće sa svječiće.
- Pričvrstite proizvod tijekom transporta. Spriječite njegovo pomicanje.
- Prije dugotrajnog skladištenja očistite i servisirajte proizvod.

## Tehnički podaci

### Tehnički podaci

	522HD60X	522HDR60X	522HDR75X
<b>Motor</b>			
Zapremnina cilindara, cm <sup>3</sup>	21,7	21,7	21,7
Broj okretaja u praznom hodu, o/min	3000	3000	3000
Preporučeni maks. broj okretaja, o/min	9200	9200	9200
Maksimalna snaga motora prema ISO 8893, kW/ks na o/min	0,6/0,8 na 7800	0,6/0,8 na 7800	0,6/0,8 na 7800
Ispušni lonac s katalizatorom	Da	Da	Da
<b>Sustav uključivanja</b>			
Svjedica	NGK CMR6A	NGK CMR6A	NGK CMR6A
Zazor elektroda, mm	0,5	0,5	0,5
<b>Gorivo</b>			
Zapremnina spremnika za gorivo, l/cm <sup>3</sup> )	0,45 / 450	0,45 / 450	0,45 / 450
<b>Težina</b>			
Bez goriva, kg	4,9	5,0	5,2
<b>Buka</b> <sup>31</sup>			
Razina jačine zvuka, mjerena u dB (A)	101	101	101
Razina jačine zvuka, zajamčena L <sub>WA</sub> dB (A)	102	102	102
<b>Razine buke</b> <sup>32</sup>			
Ekvivalentne razine tlaka zvuka na uhu rukovatelja izmjerene u skladu s EN ISO 10517, dB(A)	93	93	93
<b>Razine vibracije</b> <sup>33</sup>			
Ekvivalentne razine vibracija (a <sub>hV,eq</sub> ) na ručkama izmjerene u skladu s EN ISO 10517, m/s <sup>2</sup> :			
Srijeda / otraga, mm/s <sup>2</sup>	2,7 / 1,2	2,8 / 1,3	2,1 / 2,2
<b>Noževi</b>			
Vrsta	Dvostrana	Dvostrana	Dvostrana
Duljina rezanja, mm	600	600	750

<sup>31</sup> \* Emisije buke u okoliš izmjerene kao jakost zvuka (L<sub>WA</sub>) u skladu s EZ direktivom 2000/14/EZ. Navedena razina jačine zvuka za ovaj proizvod izmjerena je originalnim reznim nastavkom koji daje najveću razinu zvuka. Razlika između zajamčene i izmjerene razine buke jest da zajamčena razina uključuje i raspršenje rezultata mjerenja i varijacije između različitih proizvoda istog modela u skladu s Direktivom 2000/14/EZ.

<sup>32</sup> Navedeni podaci za razinu pritiska zvuka uključuju tipično statističko raspršenje (standardno odstupanje) od 1 dB (A).

<sup>33</sup> Podaci o razini vibracije pokazuju tipičnu statističku disperziju (standardnu devijaciju) od 1 m/s<sup>2</sup>.

	<b>522HD60X</b>	<b>522HDR60X</b>	<b>522HDR75X</b>
Brzina rezanja, rezova/min	4400	3200	3200

# Izjava o sukladnosti

## EU izjava o sukladnosti

Mi, **Husqvarna AB**, SE-561 82 Huskvarna, Švedska, tel.: +46-36-146500, pod punom odgovornošću izjavljujemo da proizvod:

<b>Opis</b>	Škare za živicu
<b>Marka</b>	Husqvarna
<b>Vrsta/model</b>	522HD60X, 522HDR60X, 522HDR75X
<b>Identifikacija</b>	Serijski brojevi iz 2022 i noviji

u potpunosti su sukladni sljedećim EU direktivama i propisima:

Propis	Opis
2006/42/EC	„o strojevima“
2014/30/EU	„o elektromagnetskoj kompatibilnosti“
2000/14/EC	„koja se odnosi na emisije buke u okoliš“
2011/65/EU	„o ograničenoj upotrebi određenih opasnih tvari u električnoj i elektroničkoj opremi“

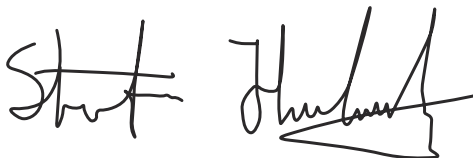
i primjenjuju se sljedeće norme i/ili tehničke specifikacije: EN ISO 12100:2021, CISPR 12: 2009, EN ISO 10517:2009/A1:2013, EN IEC 63000:2018.

RISE SMP Svensk Maskinprovning AB, provela je dobrovoljno ispitivanje za Husqvarna AB. Broj certifikata: SEC/18/2518.

Uz to, organizacija RISE SMP Svensk Maskinprovning AB, certificirala je sukladnost s Direktivom Vijeća iz 8. svibnja 2000., "o emisijama buke u okoliš" 2000/14/EC. Brojevi certifikata: 01/094/026-522HD60X, 01/094/027-522HDR60X, 522HDR75X.

Informacije o emisiji buke potražite u odjeljku *Tehnički podaci na stranici 163*.

Huskvarna, 2022-05-09



Stefan Holmberg, Direktor odjela za istraživanje i razvoj,  
Upravljanje tehnologijom, Husqvarna AB

Osoba odgovorna za tehničku dokumentaciju

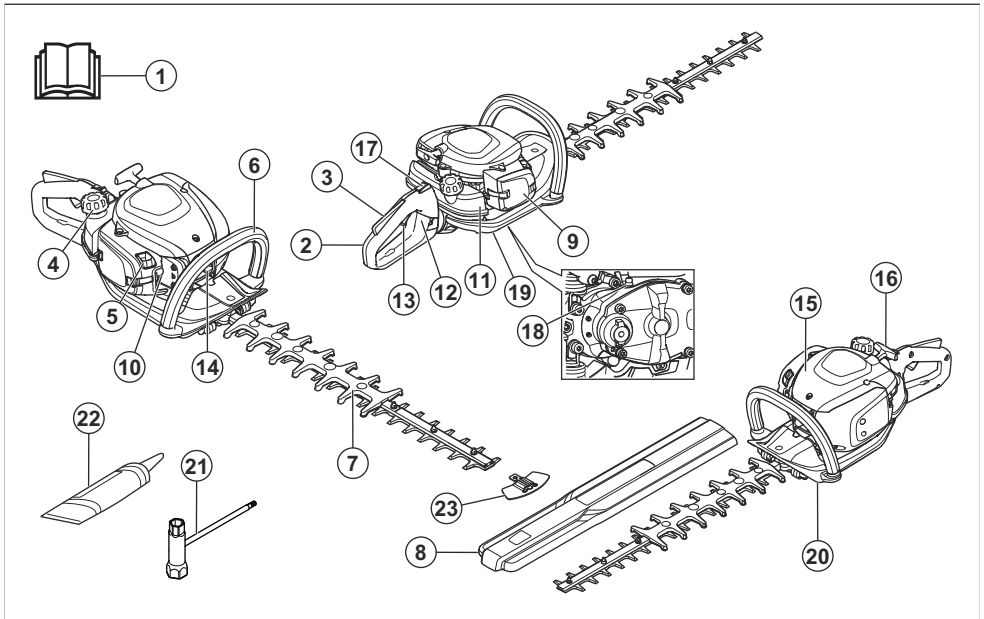


# TARTALOMJEGYZÉK

Bevezető.....	166	Szállítás, tárolás és ártalmatlanítás.....	178
Biztonság.....	167	Műszaki adatok.....	178
Üzemeltetés.....	172	Megfelelőségi nyilatkozat.....	180
Karbantartás.....	175		

## Bevezető

### A termék áttekintése



1. Kezelői kézikönyv
2. Hátsó fogantyú
3. Gázadagoló retesze
4. Üzemanyagtartály sapkája
5. Szívatókar
6. Elülső fogantyú
7. Penge és pengevédő
8. Szállításnál használt védőburkolat
9. Légszűrő fedél
10. Üzemanyagpumpa
11. Üzemanyagtartály
12. Fogantyúretesz
13. Gázadagoló
14. Gyertyapipa és gyújtógyertya
15. Hengerköpeny
16. Indítókötél fogantyúja
17. Leállítókapcsoló
18. Zsírözsem
19. Sebváltóház
20. Kézvédő
21. Kombinált kulcs
22. Zsirt tartalmazó tubus
23. Vágócsúcsvédő

### Termékleírás

A termék egy belső égésű motorral működő sövénynyíró.

### Rendeltetés szerű használat

A termék ágak és gallyak vágáshoz használható. Ne használja a terméket egyéb feladatokra.

## A terméken található jelzések



Stop.



Körültekintően járjon el, és megfelelően használja a terméket. A gép a kezelő és mások súlyos sérülését és halálát is okozhatja.



Olvassa el figyelmesen a használati utasítást, és győződjön meg arról, hogy megértette azt, mielőtt a terméket használatba veszi.



Használjon jóváhagyott fülvédőt és védőszemüveget.



Használjon jóváhagyott védőkesztyűt.



Használjon csúszásálló munkavédelmi bakancsot.

# T

Alapjárat-beállító csavar.

# H

Magas fordulatszám tüje.

# L

Alacsony fordulatszám tüje.



A 2000/14/EK számú európai irányelvnek és New South Wales „Környezetben történő munkavégzés (zajszabályozás) szabályozása, 2017” irányelvének megfelelő környezeti zajszennyezés. A zajszennyezésre vonatkozó adatok a gép címkéjén és a Műszaki adatok című fejezetben találhatók.

# CE

Ez a termék megfelel a vonatkozó EK-irányelveknek.

# UK CA

A termék megfelel a vonatkozó egyesült királyságbeli irányelveknek.

ééééhxxxx

A típusablán megtalálható a sorozatszám. **éééé** a gyártási év és **hh** pedig a gyártási hét.

**Megjegyzés:** A terméken szereplő többi jel/címke egyes piacok specifikus vizsgáztatási követelményeire vonatkozik.

## Euro V. kibocsátási norma



**FIGYELMEZTETÉS:** A motor módosítása érvényteleníti a termékre vonatkozó európai uniós típusjóvá hagyást.

## Biztonság

### Biztonsági meghatározások

A figyelmeztetések, óvintézkedések és megjegyzések a használati utasítás kiemelten fontos részeire hívják fel a figyelmet.



**FIGYELMEZTETÉS:** Akkor használatos, ha a kézikönyv utasításainak be nem tartása esetén fennáll a kezelő vagy a közelben tartózkodók sérülésének vagy halálának veszélye.



**VIGYÁZAT:** Akkor használatos, ha a kézikönyv utasításainak be nem tartása esetén fennáll a vagyoni kár, illetve a termék

vagy a környező terület károsodásának veszélye.

**Megjegyzés:** További információt biztosít az adott helyzetben szükséges tennivalókról.

### Általános biztonsági utasítások



**FIGYELMEZTETÉS:** A termék használata előtt olvassa el az alábbi figyelmeztetéseket.

- Helytelen vagy gondatlan használat esetén a termék veszélyessé válhat, és súlyos, akár halálos sérülést

is okozhat. Rendkívül fontos, hogy elolvassa és megértse a jelen használati utasítást.

- A termék működés közben elektromágneses mezőt hoz létre. Ez bizonyos körülmények esetén hatással lehet az aktív vagy passzív orvosi implantátumokra. A súlyos vagy halálos sérülés kockázatának csökkentése érdekében azt javasoljuk, hogy az orvosi implantátumot használó személyek a termék alkalmazása előtt kérjék ki orvosuk vagy az orvosi implantátum gyártójának tanácsát.
- Az erős rezgés miatt a vérkeringési zavarokban szenvedő személyeknél ér- vagy idegsérülések léphetnek fel. Forduljon orvoshoz, ha olyan tüneteket tapasztal, amelyek az erős rezgés hatására jöhetnek létre. Ezek a tünetek többek között zsibbadás, érzéskiesés, bizsergés, szúró érzés, fájdalom, erőtlenség, a bőr színének vagy felületének megváltozása. A tünetek többnyire az ujjakban, a kézben vagy a csuklóban jelentkeznek. Alacsony hőmérsékleten a veszély növekedhet.
- Ha munka közben elbizonytalanodik a munka folytatását illetően, kérje szakember tanácsát. Forduljon kereskedőhöz vagy márkaszervizhez. Ne használja a gépet olyan feladatok elvégzésére, amelyekhez úgy véli, nem rendelkezik elegendő szakértelemmel.
- Más személyek vagy vagyontárgyaik veszélyeztetéséért, illetve a sérelmükre bevethetett balesetekért a készülék kezelője felel.
- Soha ne engedje meg senkinek a termék használatát, amíg nem győződött meg arról, hogy az illető elolvasta és megértette a használati utasítás tartalmát.
- Soha ne engedje, hogy gyermekek használják a terméket, vagy a gép közelében tartózkodjanak. Mivel a termék rugós leállítókapcsolóval van felszerelve, és enyhe mozgással vagy az indítókarrá kifejtett kis erővel is beindítható, bizonyos körülmények között kisgyermek is elegendő erőt tudnak kifejteni a termék elindításához. Ez súlyos személyi sérüléshez vezethet. Ezért a gyertyapipát mindig húzza le a gyújtógyertyáról, ha nem tudja folyamatosan felügyelni a terméket.
- A termék gyermekektől elzárva tartandó.
- Soha ne használja a terméket, ha fáradt, ha szeszitalt fogyasztott, vagy ha olyan gyógyszert szed, amely befolyásolhatja a látását, az ítéliképességét vagy a koordinációs képességét.
- Soha ne használjon olyan terméket, amely hibás. Végezze el a jelen használati utasításban előírt ellenőrzési, karbantartási és szervizműveleteket. Bizonyos karbantartási és szervizmunkákat szakembernek kell végrehajtania. Lásd a Karbantartás című fejezetben szereplő utasításokat.
- Soha ne használjon olyan terméket, amelynek eredeti konstrukcióján bármilyen módon is változtattak.

## Biztonsági utasítások az üzemeltetéshez



**FIGYELMEZTETÉS:** A termék használata előtt olvassa el az alábbi figyelmeztetéseket.

- Ne használja a terméket szélsőséges időjárási körülmények között, például nagy hidegben illetve nagy melegben és/vagy párás éghajlaton.
- A hibás kés használata növeli a balesetveszélyt.
- Ügyeljen arra, hogy munkavégzés közben senki ne jöjjön 15 méternél közelebb.
- Vizsgálja meg környezetét, és győződjön meg róla, hogy sem ember, sem állat nem kerülhet kapcsolatba a termékkel.
- Ellenőrizze a munkaterületet. Távolítsa el minden olyan tárgyat, amelyet a termék kivethet.
- Mindig gondoskodjon róla, hogy biztonságos és stabil munkahelyzetben dolgozzon.
- Amikor a termék működésben van, ne hagyja a gépet felügyelet nélkül.
- Ügyeljen rá, hogy keze és lába ne érhesen az egységhez, amikor a motor jár.
- Ha munka közben valami beszorul a kések közé, állítsa le a motort, és várja meg, amíg teljesen leáll. Csak ezután tisztítsa meg a késeket. Válassza le a vezetékelt a gyújtógyertyáról. Lásd: *A kések ellenőrzése 177. oldalon.*
- A motor leállítása után se a kezével, se a lábával ne érjen a vágóegységhez, amíg az teljesen le nem áll.
- Ügyeljen az ágakon lévő gallyakra, melyek vágás közben elrepülhetnek.
- Amikor fűvédőt visel, mindig figyeljen a figyelmeztető jelzésekre és hangokra. A motor leállítása után azonnal vegye le a fűvédőket.
- Csak akkor dolgozzon létrán, széken vagy más emelvényen, ha azt teljes mértékben rögzítette.
- Mindig két kézzel fogja a terméket. A terméket a teste előtt tartsa.
- Ha a termék bármilyen idegen tárgynak ütközik vagy rezegni kezd, azonnal állítsa le. Válassza le a vezetékelt a gyújtógyertyáról. Ellenőrizze, hogy a termék nem sérült-e meg. Javítsa ki minden sérülést.
- Az áramütés veszélyének elkerülése érdekében győződjön meg arról, hogy a gyújtógyertya-pipa és a gyújtáskábel nem sérült.
- Ellenőrizze, hogy az anyák és csavarok szorosan meg vannak-e húzva.
- Ügyeljen arra, hogy a sebváltóház kenése megfelelő legyen. Lásd: *A sebváltóház kenése 177. oldalon.*
- A sebváltóház a termék használata közben felforrósodik. Ne érjen a sebváltóházhoz, különben megégetheti magát.
- A gép beindítása előtt az összes burkolatot és védőlemezt fel kell szerelni.



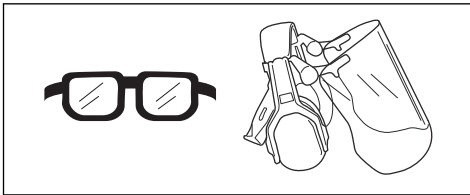
- Mindig szerelje fel a vágóegység szállítási biztosítószerkezetét, ha nem használja a terméket.

## Személyi védőfelszerelés

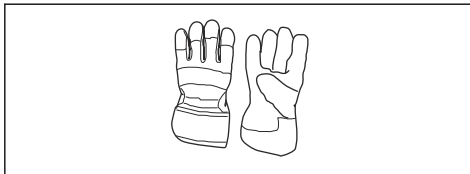


**FIGYELMEZTETÉS:** A termék használata előtt olvassa el az alábbi figyelmeztetéseket.

- A termék használata során viseljen jóváhagyott személyi védőfelszerelést. A személyi védőfelszerelés nem küszöböli ki teljes mértékben a sérülés kockázatát, de csökkenti a sérülés mértékét, ha bekövetkezik a baleset. A megfelelő felszerelés kiválasztásában kérje a kereskedő segítségét.
- Használjon elegendő hangtompító hatással rendelkező, jóváhagyott fülvédőt. Hosszú távon a tartós zajártalom maradandó halláskárosodást okozhat.
- Használjon jóváhagyott védőszemüveget. Ha arcvédőt használ, jóváhagyott védőszemüveget is kell viselnie. Jóváhagyott védőszemüvegek azok, amelyek megfelelnek az ANSI Z87.1 (USA) illetve EN 166 (EU-országok) szabványoknak.



- Ha szükséges, viseljen kesztyűt – például a vágószerkezet felhelyezésekor, ellenőrzésekor vagy tisztításakor.



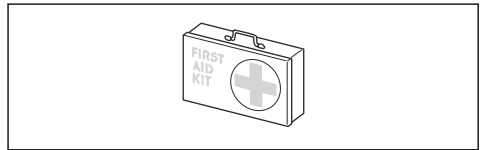
- Viseljen stabil, csúszásgátló talppal ellátott csizmát vagy cipőt.



- Viseljen sűrű szövésű anyagból készült ruházatot. Vastag, hosszú nadrágot és hosszú ujjú felsőrészt viseljen. Ne viseljen bő ruházatot, mert az beakadhat

a gallyakba és a bokrok ágaiba. Ne viseljen ékszereket, rövidnadrágot, szandált, illetve ne legyen meztítláb. Igazítsa haját vállmagasság fölé.

- Tartson elsősegélykészletet a közelben.



## Biztonsági eszközök a terméken

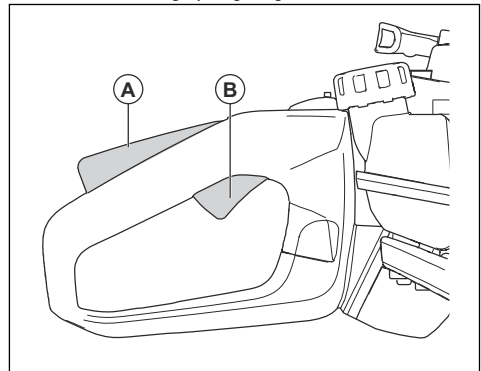


**FIGYELMEZTETÉS:** A termék használata előtt olvassa el az alábbi figyelmeztetéseket.

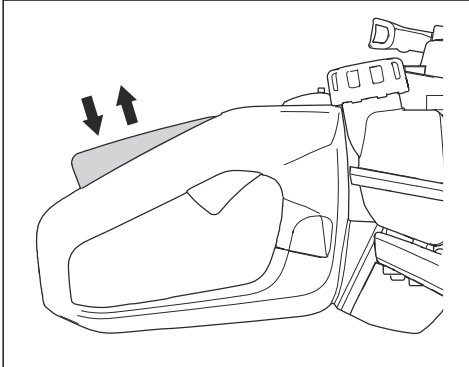
- Ne használjon olyan terméket, amelynek hibásak a biztonsági eszközei.
- Rendszeresen ellenőrizze a biztonsági eszközöket. A biztonsági eszközök meghibásodása esetén vegye fel a kapcsolatot a Husqvarna szervizműhellyel.

## A gázadagoló reteszének ellenőrzése

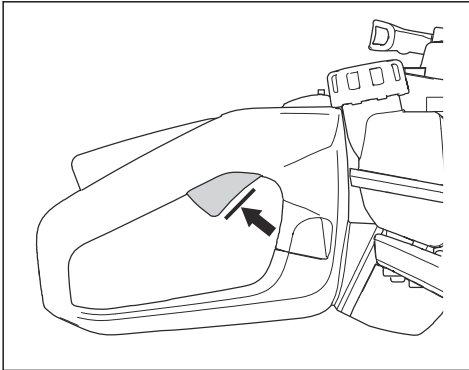
1. Győződjön meg arról, hogy a gázadagoló retesze (A) és a gázadagoló (B) akadálymentesen mozog, a visszatérítő rugó pedig megfelelően működik.



2. Nyomja le a gázadagoló reteszt, és győződjön meg arról, hogy a felengedése után visszatér alaphelyzetbe.



3. Ellenőrizze, hogy a reteszt elengedve a gázadagoló alapjáratú pozícióban reteszeldődik-e.



4. Indítsa be a terméket, és adjon teljes gázt.
5. Engedje el a gázadagolót, és győződjön meg róla, hogy a kések megállnak és mozdulatlanok maradnak.



**FIGYELMEZTETÉS:** Ha a kések a gázadagoló alapjáratú helyzetében is mozognak, akkor be kell állítani a karburátor alapjáratú fordulatszámát. Lásd: *Az alapjáratú fordulatszám beállítása 176. oldalon.*

#### A leállítókapcsoló ellenőrzése

1. Indítsa be a motort.
2. Nyomja a leállítókapcsolót a stop pozícióba, és ellenőrizze, hogy a motor leállt-e.



**FIGYELMEZTETÉS:** A leállítókapcsoló automatikusan visszaáll indítási helyzetbe. A véletlen beindítás elkerülése érdekében a termék

összeállításakor vagy karbantartásakor távolítsa el a gyertyapipát a gyújtógyertyáról.

#### A kézvédő ellenőrzése

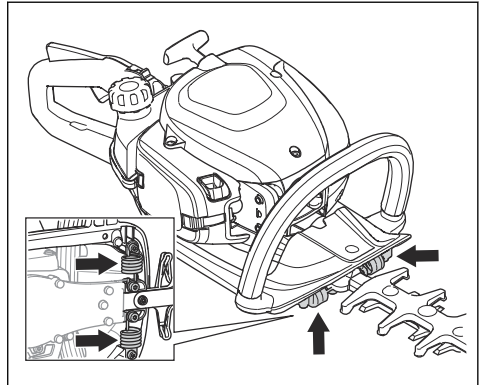
A kézvédő védelmet nyújt a kések okozta sérülésekkel szemben.

1. Állítsa le a motort.
2. Ellenőrizze, hogy a kézvédő megfelelően fel van-e szerelve.
3. Ellenőrizze, hogy nem található-e sérülés a kézvédőn.

#### A rezgéscsillapító rendszer ellenőrzése

A rezgéscsillapító rendszer csökkenti a fogantyúk rezgését. A rezgéscsillapító egységek elválasztják egymástól a termék főrészt és a fogantyúegységet.

1. Ellenőrizze, hogy az egységek nem sérültek-e meg vagy deformálódtak-e el.
2. Győződjön meg arról, hogy a rezgéscsillapító egységek megfelelően vannak-e rögzítve.



#### A hangfogó ellenőrzése



#### FIGYELMEZTETÉS:

Semmiképpen ne használjon olyan terméket, amelyiken nincs vagy hibás a hangfogó. A hibás kipufogódob megnövelheti a zajszintet és a tűzveszélyt. Ne használja a terméket szikrafogó háló nélkül vagy szakadt szikrafogó hálósával. Ha a szikrafogó háló megsérült, akkor ki kell cserélni.



**FIGYELMEZTETÉS:** A hangfogó működés közben felforrósodik, alapjáratú fordulatszámon is.



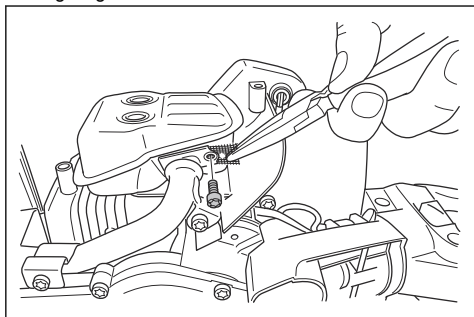
**VIGYÁZAT:** Ha a szikrafogó háló gyakran eltömődik, ez annak lehet a jele, hogy csökkent a katalizátor teljesítménye. A hangfogó ellenőrzésével kapcsolatban forduljon a szakszervizhez. Egy eltömődött szikrafogó háló a termék túlmelegedéséhez, valamint a henger és a dugattyú sérüléséhez vezet.



**FIGYELMEZTETÉS:** A hangfogó belső felületei rákkeltő vegyi anyagokat tartalmaznak. Ha a hangfogó meghibásodott, figyeljen, hogy ne érjen ezekhez az elemekhez.

A hangfogó minimálisra csökkenti a zajszintet, és elvezeti a kipufogógázokat a kezelő közeléből. A katalizátorral ellátott hangfogó csökkenti a káros kipufogógázok mennyiségét.

1. Állítsa le a motort.
2. Keressen sérüléseket és deformációt.
3. Ellenőrizze, hogy a hangfogó megfelelően csatlakozik-e a termékhez.
4. Tisztítsa meg a szikrafogó hálót egy drótkefe segítségével.



### A kések és a pengevédő ellenőrzése

A kések külső részei pengevédőként funkcionálnak. A pengevédő védelmet nyújt a vágásokkal szemben.

1. Állítsa le a motort, és győződjön meg arról, hogy a kések leálltak-e.
2. Távolítsa el a gyertyapipát a gyújtógyertyáról.
3. Vegyen fel védőkesztyűt.
4. Ellenőrizze, hogy a kés és a pengevédő nem sérült-e, vagy nem hajlott-e meg. A sérült vagy meghajlott kést és a sérült pengevédőt minden esetben ki kell cserélni.
5. Ellenőrizze, hogy a pengék és a pengevédő csavarjai szorosan meg vannak-e húzva.

## Üzemanyaggal kapcsolatos biztonság



**FIGYELMEZTETÉS:** A termék használata előtt olvassa el az alábbi figyelmeztetéseket.

- Ne indítsa be a terméket, ha üzemanyag vagy motorolaj került rá. Távolítsa el a nem kívánt üzemanyagot/motorolajat és hagyja megszáradni a terméket.
- Ha a kiömlött üzemanyag a ruhájára csöppent, öltözzön át azonnal.
- Ügyeljen arra, hogy ne kerüljön üzemanyag a testére, mert az sérülést okozhat. Ha üzemanyag került a testére, távolítsa el szappannal és vízzel.
- Ne indítsa be a motort, ha szivárog a motor. Vizsgálja meg rendszeresen a motort szivárgás szempontjából.
- Bánjon óvatosan az üzemanyaggal. Az üzemanyag gyúlékony, a gőzei robbanásveszélyesek, ezért súlyos, akár végzetes sérülést is okozhat.
- Ne lélegezze be az üzemanyag gőzeit, egészségkárosodást okozhatnak. Gondoskodjon megfelelő légáramlásról.
- Az üzemanyag vagy a motor közelében ne dohányozzon.
- Az üzemanyag vagy a motor közelébe ne tegyen forró tárgyakat.
- Ne tankoljon járó motornál.
- Várja meg a tankolással, amíg lehül a motor.
- Tankolás előtt nyissa meg lassan a tanksapkát, engedje ki óvatosan a nyomást.
- Ne beltérben tankoljon. A nem elegendő mértékű légáramlás fulladás vagy szén-monoxid miatt egészségkárosodást, akár halált is okozhat.
- Húzza meg teljesen az üzemanyagtartály sapkáját. Ha az üzemanyagtartály sapkája nincs meghúzva, tűzveszélyt okozhat.
- Beindítás előtt vigye a terméket legalább 3 m távolságra a tankolás helyétől.
- Ne töltsen teljesen tele az üzemanyagtartályt. Hő hatására az üzemanyag kitágul. Hagyjon egy kis helyet az üzemanyagtartály tetejénél.

## Biztonsági utasítások a karbantartáshoz



**FIGYELMEZTETÉS:** A termék használata előtt olvassa el az alábbi figyelmeztetéseket.

- Állítsa le a motort, és győződjön meg arról, hogy a vágószerkezet megállt-e. A karbantartás elvégzése előtt várja meg, amíg a termék lehül.
- A karbantartás megkezdése előtt vegye le a gyertyapipát.

- A motorból származó kipufogógázok szén-monoxidot tartalmaznak. A szén-monoxid egy szagtalan, mérgező, rendkívül veszélyes gáz, amely halált okozhat. Ne működtesse a járművet beltérben vagy zárt helyen.
- A motor kipufogógázai forróak, a gázokkal együtt akár szikrák is távozhatnak a motorból. Ne működtesse a terméket zárt helyiségben vagy gyúlékony anyagok közelében.
- A gyártó által nem jóváhagyott tartozékok és változtatások súlyos sérülést vagy halált okozhatnak. Ne végezzen módosításokat a terméken. Mindig eredeti tartozékokat használjon.
- Megnövekszik a személyi sérülés és a termék károsodásának kockázata, ha nem végez rendszeresen karbantartást, vagy azt helytelenül végzi.
- Csak a használati utasítás által javasolt karbantartási feladatokat végezze el. Minden egyéb szervizelési munkát hagyjon egy jóváhagyott Husqvarna szervizműhelyre.
- Végeztesse a termék rendszeres szervizelését hivatalos Husqvarna szervizműhelyre.
- A sérült, kopott vagy törött alkatrészt cserélje ki.

## Üzemeltetés

### Bevezető



**FIGYELMEZTETÉS:** A termék használata előtt figyelmesen olvassa el a biztonságról szóló fejezetet.

### Üzemanyag

A termékben kétütemű motor működik.



**VIGYÁZAT:** A nem megfelelő üzemanyag használata a motor károsodásához vezethet. Benzin és kétütemű motorolaj keverékét használja üzemanyagként.

### Kétütemű motorhoz való olaj

- A legjobb eredmények és teljesítmény érdekében használjon Husqvarna kétütemű motorolajat.
- Ha nem áll rendelkezésre Husqvarna kétütemű motorolaj, használjon más jó minőségű, léghűtéses motorokhoz készült kétütemű olajat. A megfelelő olaj kiválasztását illetően forduljon az illetékes szakszervizhez.



**VIGYÁZAT:** Ne használjon vízhűtéses külső motorokhoz való kétütemű motorolajat (más néven „outboard” olajat). Soha ne használjon négyütemű motorokhoz való olajat.

### Előkevert üzemanyag

- A jó teljesítmény és a motor élettartamának megnövelése érdekében előkevert Husqvarna alkilüzemanyagot használjon. Ez az üzemanyag típus kevesebb a hagyományos üzemanyagokhoz képest kevesebb vegyszert tartalmaz, így a kipufogó károsanyag-kibocsátása is mérséklődik. Az égés után visszamaradó anyagok mennyisége ezen üzemanyag esetében kevesebb, ami tisztább állapotban tartja a motor alkotóelemeit.

### Az üzemanyag keverése

#### Benzin

- Jó minőségű, legfeljebb 10% etanolt (E10) tartalmazó, ólmozatlan benzint használjon.



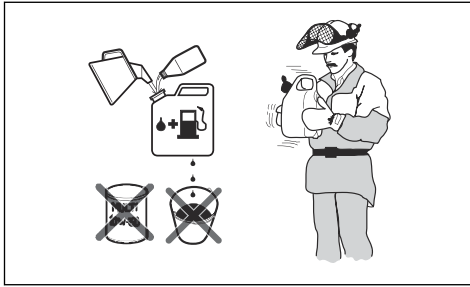
**VIGYÁZAT:** Ne használjon 90 RON/87 AKI értéknél alacsonyabb oktánszámú benzint. Alacsonyabb oktánszám esetén kopogás jelentkezhet a motorban, ami a motor károsodását okozhatja.

### Benzin és kétütemű olaj összekeverése

Benzin, liter	Kétütemű olaj, liter
	<b>2% (50:1)</b>
5	0,10
10	0,20
15	0,30
20	0,40



**VIGYÁZAT:** Kisebbségi üzemanyag kikeverésekor fennáll a veszélye, hogy az apróbb hibák jelentősen befolyásolják a keverési arányt. A helyes keverési arány érdekében gondosan mérje ki a keverékhez adagolandó olaj mennyiségét.



1. Töltse bele a benzint felét egy üzemanyaghoz való, tiszta tartályba.
2. Töltse be a teljes olajmennyiséget.
3. Rázza össze az üzemanyag-keveréket.
4. Öntse bele a benzint megmaradó részét a tartályba.
5. Óvatosan rázza össze az üzemanyag-keveréket.



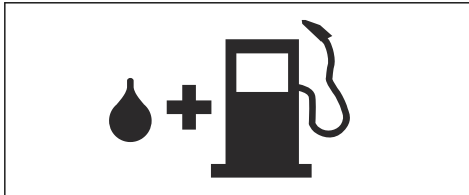
**VIGYÁZAT:** Ne keverjen be 1 havi adagnál több üzemanyagot egyszerre.

## Az üzemanyagtartály feltöltése



**FIGYELMEZTETÉS:** Biztonsága érdekében tartsa be az alábbi eljárást.

1. Állítsa le a motort, és várja meg, amíg lehül.
2. Tartsa tisztán az üzemanyagtartály sapkájának környékét.



3. Rázza össze a tartályt, és győződjön meg róla, hogy az üzemanyag megfelelően összekeveredett-e.
4. Lassan távolítsa el az üzemanyagtartály sapkáját, hogy kiengedje a nyomást.
5. Töltse fel az üzemanyagtartályt.



**VIGYÁZAT:** Ügyeljen arra, hogy ne töltsön túl sok üzemanyagot az üzemanyagtartályba. Hő hatására az üzemanyag kitégul.

6. Húzza meg óvatosan az üzemanyagtartály sapkáját.
7. Távolítsa el a kiömlött üzemanyagot a termékről és környékéről.

8. A motor beindítása előtt, vigye el a terméket a tankolás helyétől és forrásától legalább 3 m távolságra.

**Megjegyzés:** Ha szeretné megtudni, hogy az üzemanyagtartály hol van a terméken, lásd: *A termék áttekintése 166. oldalon.*

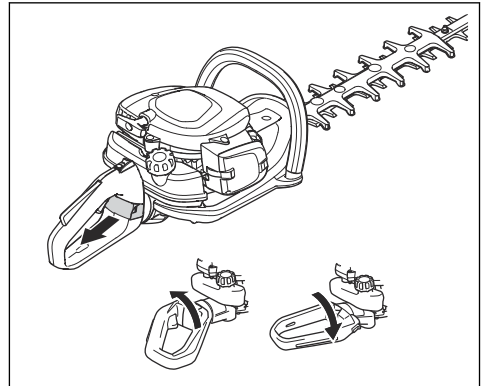
## A vágócsúcsvédő felszerelése

1. Távolítsa el a vágócsúcsvédőn található anyát és csavart.
2. Szerelje fel a vágócsúcsvédőt a vágócsúcsra.
3. Helyezze be a csavart, és húzza meg 7 Nm nyomatékkal.
4. Helyezze fel az anyát, és húzza meg 5 Nm nyomatékkal.

## A fogantyú beállítása

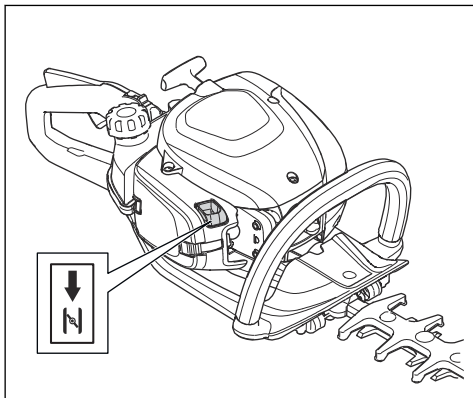
A hátsó fogantyú magassága 3 különböző fokozatban állítható.

- Oldja ki a fogantyúreteszt, és fordítsa el a fogantyút.



## A termék hideg motorral való elindítása

1. Húzza a szívatókart szívató állásba.



2. Nyomja meg körülbelül 6 alkalommal az üzemanyagpumpát, amíg el nem kezd üzemanyaggal telítődni. Az üzemanyagpumpát nem szükséges teljes mértékben megtölteni.
3. Nyomja a géptestet bal kézzel a talajnak. Ne lépjen rá a termékre.
4. A jobb kezével húzza lassan az indítószínór fogantyúját addig, amíg ellenállást nem érez, majd húzza meg gyorsan, teljes erővel.



**FIGYELMEZTETÉS:** Ne tekerje az indítószínórt a keze köré.



**VIGYÁZAT:** Ne húzza ki teljesen az indítószínórt, és ne engedje el a berántókötél fogantyúját.

5. Addig húzza az indítószínórt, amíg a motor be nem indul, majd nyomja a szívatókart az eredeti pozíciójába.



**FIGYELMEZTETÉS:** A motor beindulásakor a kések mozogni kezdenek.

6. Addig húzza az indítószínór fogantyúját, amíg a motor be nem indul.
7. A gázadagoló megnyomásával majd elengedésével állítsa a motort alapljárati fordulatszámra.
8. A gázadagolót fokozatosan lenyomva növelje a motorfordulatszámot.
9. Ellenőrizze, hogy a motor egyenletesen jár-e.

## A termék meleg motorral való elindítása

1. Nyomja a géptestet bal kézzel a talajnak. Ne lépjen rá a termékre.
2. A jobb kezével húzza lassan az indítószínór fogantyúját addig, amíg ellenállást nem érez, majd húzza meg gyorsan, teljes erővel. Addig folytassa, amíg a motor be nem indul.

**Megjegyzés:** A termék beindításával kapcsolatos további információért lásd: *A termék hideg motorral való elindítása* 174. oldalon.

## A termék leállítása

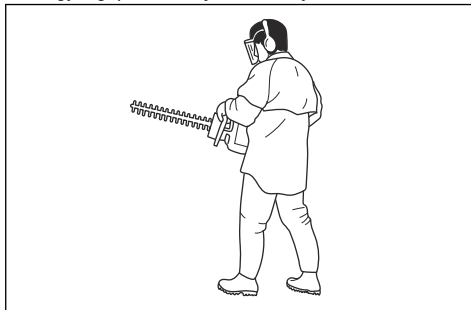
- A motor leállításához állítsa a leállítókapcsolót a stop pozícióba.



**VIGYÁZAT:** A leállítókapcsoló automatikusan visszaáll üzemelési helyzetbe.

## A termék működtetése

1. Az oldalak vágását kezdje a talajról, majd mozgassa felfelé a terméket a sövény mentén. Ügyeljen rá, hogy a géptest ne érjen a sövényhez.



**FIGYELMEZTETÉS:** Ügyeljen rá, hogy a vágófelszerelés elülső része ne érjen a talajhoz.

2. A fordulatszámot a munkaterhelésnek megfelelően állítsa be.
3. Tartsa a terméket a testéhez közel, így stabil testtartást vehet fel.
4. Legyen körültekintő, és lassan működtesse a terméket.

# Karbantartás

## Bevezető



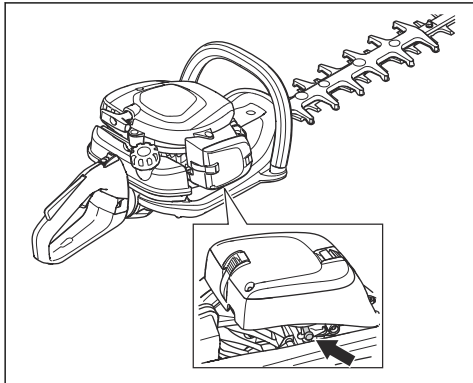
**FIGYELMEZTETÉS:** A termék karbantartása előtt olvassa el és értelmezze a biztonsággal foglalkozó fejezetet.

## Karbantartási terv

Karbantartás	Működte- tés előtt	40 üze- móra után	100 üze- móra után
Tisztítsa meg a külső felületeket.		Minden használat után.	
Tisztítsa meg a hangfogót, a kipufogócsövet és a motort a levelektől, szennyeződésektől és a felesleges kenőanyagtól.		Minden használat után.	
Győződjön meg arról, hogy a vágófelszerelés alapjáratú fordulatszámán nem mozog.	X		
Ellenőrizze a leállítókapcsolót.	X		
Keressen sérülést és repedést a vágófelszerelésen és a vágófelszerelés védőburkolatán. Ha sérült, cserélje ki.	X		
Keressen sérülést és repedést a kézvédőn. Ha sérült, cserélje ki.	X		
Ellenőrizze a gázadagoló retesét és a gázadagolót.	X		
Keressen szivárgást a motoron, az üzemanyagtartályon és az üzemanyag-vezetékeken.	X		
Húzza meg a csavarokat és az anyákat.	X		
Ellenőrizze, hogy az üzemanyagszűrő nincs-e elszennyeződve, és hogy az üzemanyag-vezetékeken nincsenek-e repedések vagy egyéb sérülések. Ha szükséges, cserélje ki.	X		
Keressen sérülést az indítón és az indítószinóron.		X	
Légszűrő tisztítása. Szükség esetén cserélje ki.		X	
Keressen sérülést és repedést a rezgéscsillapító egységeken.		X	
Ellenőrizze a gyújtógyertyát – to <i>A gyújtógyertya ellenőrzése. 176. oldalon.</i>		X	
Tisztítsa ki a hűtőrendszert.		X	
Tisztítsa meg a porlasztó külsejét és környezetét.		X	
Tisztítsa meg vagy cserélje a szikrafogó hálót.			X
Tisztítsa meg az üzemanyagtartály belső felületét.			X
Ellenőrizze a gyújtógyertyát.			X
Ellenőrizze, hogy a sebváltóház fel van-e töltve zsírral.			X

## Az alapjáratí fordulatszám beállítása

1. Tisztítsa meg a levegőszűrőt és szerelje fel a levegőszűrő fedelét.
2. Indítsa el a terméket – lásd: *A termék hideg motorral való elindítása 174. oldalon.*
3. Csavarja a T jelzésű alapjárat-beállító csavart az óramutató járásával megegyező irányba, amíg a vágófelszerelés mozogni nem kezd.



4. Csavarja a T csavart az óramutató járásával ellenkező irányba addig, amíg a vágófelszerelés forgása le nem áll.



**FIGYELMEZTETÉS:** Ha az alapjáratí fordulatszám beállításakor a vágófelszerelés tovább működik, forduljon a legközelebbi szakszervizhez. Ne használja a terméket addig, amíg az nincs megfelelően beállítva vagy megjavítva.

**Megjegyzés:** Az alapjáratí fordulatszám akkor van helyesen beállítva, ha a motor minden helyzetben egyenletesen jár. Az ajánlott alapjáratí fordulatszámmal kapcsolatban lásd: *Műszaki adatok 178. oldalon.*

## A hűtőrendszer kitisztítása

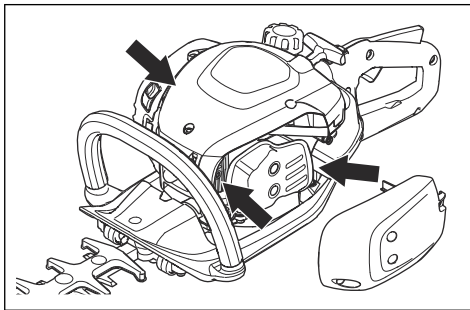
A hűtőrendszer alacsonyan tartja a motor hőmérsékletét. A hűtőrendszer magában foglalja a hengeren lévő hűtőbordákat és az indítószerkezet házát.



**VIGYÁZAT:** A levelek könnyedén eltömíthetik az üzemanyagtartály és a forgattyúház között lévő levegőbeömlő nyílást. Tisztítsa meg teljesen a levegőbeömlő nyílást.

1. Tisztítsa meg kefével a hűtőrendszert hetente egyszer, illetve szükség esetén ennél gyakrabban.

2. Ellenőrizze, hogy nem szennyeződött-e a hűtőrendszer, illetve nincs-e eltömődve.

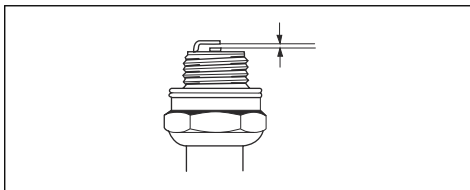


## A gyújtógyertya ellenőrzése.



**VIGYÁZAT:** Használja mindig az előírt típusú gyújtógyertyát. A nem megfelelő gyújtógyertya károsíthatja a terméket.

- Vizsgálja meg a gyújtógyertyát, ha gyenge a motor, nehezen indul, vagy egyenetlen az alapjárata.
- A gyújtógyertya elektródái közötti lerakódások kialakulásának csökkentése érdekében tartsa be az alábbi utasításokat:
  - a) gondoskodjon az alapjáratí fordulatszám megfelelő beállításáról;
  - b) gondoskodjon a megfelelő üzemanyag-keverékről;
  - c) gondoskodjon a levegőszűrő tisztaságáról.
- Ha a gyújtógyertya piszkos, tisztítsa meg, és ellenőrizze, hogy a szikraköz megfelelő-e, lásd: *Műszaki adatok 178. oldalon.*



- Szükség esetén cserélje ki a gyújtógyertyát.

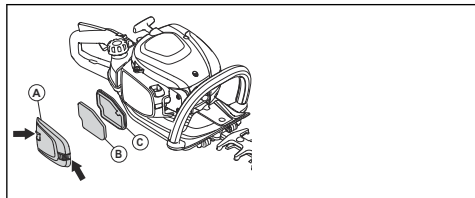
## A levegőszűrő megtisztítása

Rendszeresen tisztítsa meg a levegőszűrőt a szennyeződéstől és a portól. Ezzel megelőzheti a karburátor működési hibáit, az indítási problémákat, a motorterheléscsökkenését, a motor alkatrészeinek kopását és a szokásosnál nagyobb üzemanyag-fogyasztást.

1. Vegye le a levegőszűrő fedelét (A).



2. Vegye le a szivacszsűrőt (B) és a filcsűrőt (C) a szűrőkeretről.



3. Cserélje ki a filcsűrőt (C).
4. Meleg, szappanos víz segítségével tisztítsa meg a szivacszsűrőt (B).

**Megjegyzés:** A hosszú ideje használt levegőszűrőt nem lehet teljesen kitisztítani. Rendszeresen cserélje ki a levegőszűrőt, és minden esetben cserélje ki a meghibásodott levegőszűrőt.

5. Győződjön meg arról, hogy a szivacszsűrő (B) teljesen megszáradt-e.
6. Tegyen légszűrőolajat a szivacszsűrőre (B). Lásd: *Levegőszűrő kezelése olajjal* 177. oldalon
7. Tisztítsa meg a légszűrő fedelének (A) belső felületét. Ezt sűrített levegő vagy egy kefe segítségével végezheti el.

## Levegőszűrő kezelése olajjal

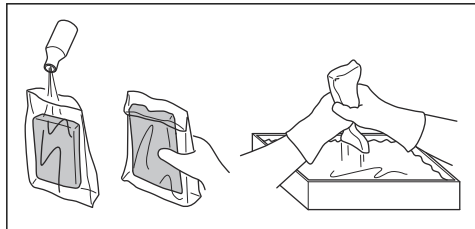


**VIGYÁZAT:** Mindig speciális Husqvarna légszűrőolajat használjon. Ne használjon másféle olajat.



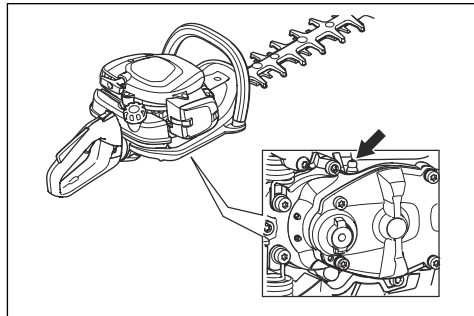
**FIGYELMEZTETÉS:** Vegyen fel védőkesztyűt. A légszűrőolaj bőrirritációt okozhat.

1. Tegye be a levegőszűrőt egy műanyag tasakba.
2. Tegyen olajat a műanyag tasakba.
3. Dörzsölje át a műanyag tasakot, hogy az olaj egyenletesen átítassa a levegőszűrőt.
4. Még a műanyag tasakban nyomkodja ki a levegőszűrőből a felesleges olajat.



## A sebáltóház kenése

- Használjon speciális Husqvarna zsírt. Az ajánlott zsírral kapcsolatos további információkért forduljon az illetékes szakszervizhez.
- Vigye fel a zsírt a zsírószemen keresztül.



**VIGYÁZAT:** Ne töltse fel teljesen a sebáltóházat.

## A kések tisztítása és kenése

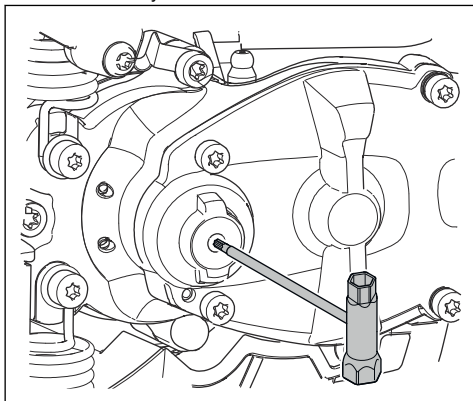
1. A termék használata előtt és után tisztítsa meg a késeket a nemkívánatos anyagoktól.
2. Hosszú időtartamú tárolás előtt kenje be a késeket kenőanyaggal.

**Megjegyzés:** Az ajánlott tisztítószerekkel és kenőanyagokkal kapcsolatos további információkért forduljon az illetékes szakszervizhez.

## A kések ellenőrzése

1. Távolítsa el a sebáltóházon lévő sapkát.

- Ellenőrizze, hogy a pengék szabadon fognak-e. Helyezze a kombinált kulcsot a sebváltóházba, majd fordítsa el az óramutató járásával egyező és ellentétes irányba.
- Ellenőrizze, hogy nem található-e sérülés vagy deformáció a kések élein.
- A késeken lévő sorjakat reszelő segítségével távolíthatja el.



## Szállítás, tárolás és ártalmatlanítás

### Szállítás és raktározás

- Tárolás előtt mindig várja meg, amíg a termék lehül.
- A termék és az üzemanyag tárolásához és szállításához győződjön meg róla, hogy nincsenek szivárgások vagy gőzök. Szikra vagy nyílt láng, például elektromos készülékektől vagy kazánoktól, tüzet okozhat.
- Mindig engedélyezett tartályokat használjon az üzemanyag tárolására és szállítására.
- Szállítás vagy hosszú távú tárolás előtt ürítse ki az üzemanyagot a termékből. A felesleges üzemanyagot adja le egy erre kijelölt gyűjtőpontra.
- Szállításhoz és tároláshoz helyezze fel a szállítási biztosítószerkezetet.
- Távolítsa el a gyertyapipát a gyújtógyertyáról.
- Szállításkor rögzítse a terméket. Győződjön meg arról, hogy nem tud elmozdulni.
- Hosszú távú tárolás előtt tisztítsa meg a terméket és végezzen rajta karbantartást.

## Műszaki adatok

### Műszaki adatok

	522HD60X	522HDR60X	522HDR75X
<b>Motor</b>			
Hengerűrtartalom, cm <sup>3</sup>	21,7	21,7	21,7
Üresjáratú fordulatszám, ford/perc	3000	3000	3000
Javasolt maximális fordulatszámot, ford/perc	9200	9200	9200
Legnagyobb motorteljesítmény az ISO 8893 szerint, kW/hp @ rpm	0,6/0,8 @ 7800	0,6/0,8 @ 7800	0,6/0,8 @ 7800
Katalizátoros hangtompító	Igen	Igen	Igen
<b>Gyújtásrendszer</b>			

	522HD60X	522HDR60X	522HDR75X
Gyújtógyertya	NGK CMR6A	NGK CMR6A	NGK CMR6A
Elektródahézag, mm	0,5	0,5	0,5
<b>Üzemanyag</b>			
Üzemanyagtartály úrtartalma, l/cm <sup>3</sup>	0,45/450	0,45/450	0,45/450
<b>Tömeg</b>			
Üzemanyag nélkül, kg	4,9	5,0	5,2
<b>Zajkibocsátás</b> <sup>34</sup>			
Hangteljesítményszint, mért dB (A) érték	101	101	101
Hangteljesítményszint, garantált , L <sub>WA</sub> dB (A)	102	102	102
<b>Zajszintek</b> <sup>35</sup>			
A kezelő hallószervére gyakorolt, EN ISO 10517 szerint mért hangnyomásszint, dB(A)	93	93	93
<b>Rezgésszintek</b> <sup>36</sup>			
Az EN ISO 10517 szerint mért ekvivalens rezgésszintek (a <sub>h<sub>v</sub>,eq</sub> ) a fogantyúknál, m/s <sup>2</sup> :			
Első/hátsó fogantyú, m/s <sup>2</sup>	2,7/1,2	2,8/1,3	2,1/2.2
<b>Kések</b>			
Típus	Kétoldalas	Kétoldalas	Kétoldalas
Vágáshossz, mm	600	600	750
Vágási sebesség, vágás/perc	4400	3200	3200

<sup>34</sup> A környezetben a 2000/14/EK sz. EK irányelvvel összhangban hangteljesítményként mért zajkibocsátás (L<sub>WA</sub>). A termék jelentésben szereplő hangteljesítményszintjét a legmagasabb szintet produkáló eredeti vágó-felszereléssel mérték. A garantált és a mért hangteljesítmény közötti különbségnek az az oka, hogy a garantált hangteljesítmény tartalmazza a mérési eredményben lévő ingadozást és az azonos modellű termékek közti eltéréseket is a 2000/14/EK jelű irányelv értelmében.

<sup>35</sup> A zajnyomásszintre vonatkozó jelentési adatok az 1 dB (A) tipikus statisztikus ingadozásával (szórásával) rendelkeznek.

<sup>36</sup> A rezgésszintre vonatkozó jelentési adatok az 1 m/s<sup>2</sup> tipikus statisztikus ingadozásával (szórásával) rendelkeznek.

# Megfelelőségi nyilatkozat

## EU megfelelési nyilatkozat

A **Husqvarna AB**, SE-561 82 Huskvarna, Sweden (tel.: +46-36-146500), a saját felelősségére kijelenti, hogy a termék:

<b>Leírás</b>	Sövénynyíró
<b>Márka</b>	Husqvarna
<b>Típus/modell</b>	522HD60X, 522HDR60X, 522HDR75X
<b>Megjelölés</b>	2022-as és újabb sorozatszámok

teljes mértékben megfelelnek a következő EU-irányelveknek és szabályozásoknak:

<b>Szabályozás</b>	<b>Leírás</b>
2006/42/EK	„gépre vonatkozó”
2014/30/EU	„elektromágneses megfelelésre vonatkozó”
2000/14/EK	„környezeti zajkibocsátásra vonatkozó”
2011/65/EU	„az egyes veszélyes anyagok elektromos és elektronikus berendezésekben való alkalmazásának korlátozására vonatkozó”

valamint hogy az alábbi szabványok és/vagy műszaki előírások kerültek alkalmazásra: EN ISO 12100:2021, CISPR 12: 2009, EN ISO 10517:2009/A1:2013, EN IEC 63000:2018.

A RISE SMP Svensk Maskinprovning AB, önkéntes típusvizsgálást végzett a Husqvarna AB nevében. Tanúsítvány száma: SEC/18/2518.

A RISE SMP Svensk Maskinprovning AB, igazolta „a környezeti zajkibocsátásról szóló”, 2000. május 8-i 2000/14/EK sz. tanácsi irányelvnek való megfelelést. Tanúsítványszámok: 01/094/026-522HD60X, 01/094/027-522HDR60X, 522HDR75X.

A zajkibocsátásra vonatkozó tájékoztatást illetően tekintse át a következőt: *Műszaki adatok 178. oldalon.*

Huskvarna, 2022-05-09

Stefan Holmberg, K+F igazgató, Technológiai menedzsmnt, Husqvarna AB

A műszaki dokumentációk felelőse

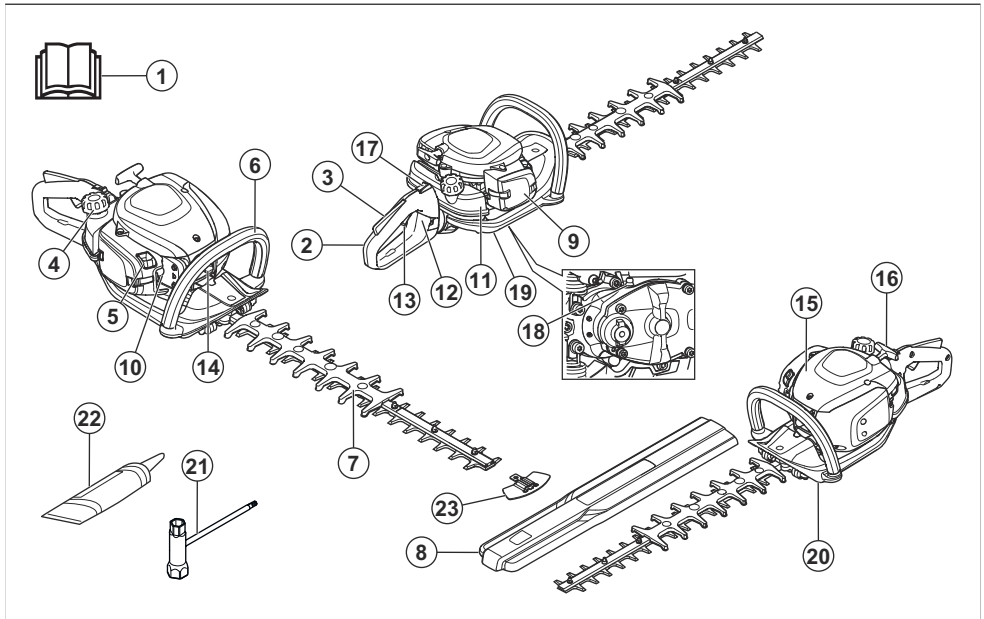


# Sommario

Introduzione.....	181	Trasporto, stoccaggio e smaltimento.....	193
Sicurezza.....	182	Dati tecnici.....	193
Utilizzo.....	187	Dichiarazione di conformità.....	195
Manutenzione.....	190		

# Introduzione

## Panoramica del prodotto



1. Manuale operatore
2. Impugnatura posteriore
3. Blocco del grilletto dell'acceleratore
4. Tappo del serbatoio del carburante
5. Comando della valvola dell'aria
6. Impugnatura anteriore
7. Lama e protezione della lama
8. Protezione di trasporto
9. Coperchio del filtro dell'aria
10. Bulbo del primer
11. Serbatoio del carburante
12. Blocco impugnature
13. Grilletto dell'acceleratore
14. Cappuccio della candela e candela
15. Coperchio del cilindro
16. Impugnatura della fune di avviamento
17. Interruttore di arresto
18. Niplo di lubrificazione
19. Scatola ingranaggi
20. Protezione della mano
21. Chiave universale
22. Tubo di lubrificazione
23. Protezione delle punte delle lame

## Descrizione del prodotto

Il prodotto è un tagliasepi con motore a benzina.

## Uso previsto

Utilizzare il prodotto per tagliare rami e ramoscelli. Non utilizzare il prodotto per altre attività.

## Simboli riportati sul prodotto



Stop.



Prestare attenzione e utilizzare il prodotto correttamente. Il prodotto può causare gravi lesioni o morte dell'operatore o altre persone.



Prima dell'uso, leggere attentamente il manuale operatore e accertarsi di aver compreso le istruzioni.



Utilizzare cuffie protettive e protezione per gli occhi omologate.



Utilizzare guanti protettivi omologati.



Utilizzare robusti stivali antiscivolo.

T

Vite di regolazione del minimo.

H

Ago dei regimi alti.

L

Ago dei bassi regimi.



Emissioni di rumore nell'ambiente in conformità alla Direttiva Europea 2000/14/CE e alla norma del Nuovo Galles del Sud in materia di protezione dell'ambiente "Protection of the Environment Operations (Noise Control) Regulation 2017". I dati sulle emissioni di rumore sono riportati sull'etichetta della macchina e nel capitolo Dati tecnici.

CE

Il prodotto è conforme alle direttive CE vigenti.

UK  
CA

Questo prodotto è conforme alle direttive del Regno Unito vigenti.

aaaassxxxx

La targhetta dati di funzionamento mostra il numero di serie. **aaaa** è l'anno di produzione e **aa** è la settimana di produzione.

**Nota:** I restanti simboli/decalcomanie sul prodotto riguardano particolari requisiti necessari per ottenere la certificazione in alcuni mercati.

## Emissioni Euro V



**AVVERTENZA:** La manomissione del motore rende nulla l'omologazione UE del prodotto.

## Sicurezza

### Definizioni di sicurezza

Le avvertenze, le precauzioni e le note sono utilizzate per evidenziare le parti importanti del manuale.



**AVVERTENZA:** Utilizzato se è presente un rischio di lesioni o morte dell'operatore o di passanti nel caso in cui le istruzioni del manuale non vengano rispettate.



**ATTENZIONE:** Utilizzato se è presente un rischio di danni al prodotto, ad altri materiali oppure alla zona adiacente nel caso in cui le istruzioni del manuale non vengano rispettate.

**Nota:** Utilizzato per fornire ulteriori informazioni necessarie in una determinata situazione.

### Istruzioni di sicurezza generali



**AVVERTENZA:** Leggere le seguenti avvertenze prima di utilizzare il prodotto.

- L'uso incauto e non corretto del prodotto può essere fonte di pericoli e causare lesioni gravi o morte. È importantissimo leggere attentamente e capire queste istruzioni per l'uso.
- Durante il funzionamento, questo prodotto genera un campo elettromagnetico. Tale campo può interferire, in alcuni casi, con persone portatrici

- di impianti medici attivi o passivi. Per ridurre il rischio di condizioni che possono implicare lesioni personali gravi o mortali, i portatori di tali impianti devono consultare il proprio medico e il produttore dell'impianto prima di utilizzare questo prodotto.
- La sovraesposizione alle vibrazioni può causare lesioni neuro-vascolari a chi soffre di disturbi circolatori. In caso di sintomi riferibili a sovraesposizione alle vibrazioni, contattare il medico. Esempi di questi sintomi: intorpidimento, perdita di sensibilità, "formicolio", "torpore", dolore, mancanza di forza o riduzione delle forze normali, alterazioni di colore o aspetto della pelle. Tali sintomi si riscontrano soprattutto nelle mani, nei polsi e alle dita. Il rischio può aumentare con le basse temperature.
  - Se si è incerti riguardo a come procedere, rivolgersi a un esperto. Contattare il proprio rivenditore o l'officina di assistenza. Evitare qualsiasi lavoro per il quale non ci si sente sufficientemente qualificati.
  - Tenere presente che l'operatore è responsabile di eventuali incidenti o pericoli che possono capitare a persone o cose.
  - Non consentire mai ad altri l'utilizzo del prodotto senza accertarsi che abbiano capito il contenuto del manuale operatore.
  - Non consentire mai a bambini di utilizzare la motosega o avvicinarsi a essa. Poiché la macchina è dotata di interruttore di arresto con ritorno a molla e può avviarsi a bassa velocità con una leggera trazione dell'impugnatura di avviamento, in alcune condizioni potrebbe essere avviata anche da bambini piccoli. Si rischiano pertanto gravi lesioni personali. Rimuovere quindi il cappuccio della candela quando si lascia la macchina incustodita.
  - Conservare il prodotto fuori dalla portata dei bambini.
  - Non usare il prodotto in condizioni di stanchezza o sotto l'effetto di alcool o medicinali in grado di compromettere il proprio stato psichico e il controllo dei propri atti.
  - Non usare mai un prodotto difettoso. Seguire le istruzioni per l'uso e la manutenzione contenute nel presente manuale. Alcuni interventi devono essere eseguiti da personale specializzato. Fare riferimento alle istruzioni alla voce Manutenzione.
  - Non usare mai un prodotto che abbia subito modifiche tali da non corrispondere più alle specifiche originali.
  - Delle lame difettose possono aumentare il rischio di incidenti.
  - Accertarsi che nessuno si avvicini ad una distanza inferiore a 15 m / 50 ft durante il lavoro.
  - Osservare l'ambiente circostante per escludere il rischio che persone o animali vengano a contatto con gli attrezzi di taglio.
  - Controllare l'area di lavoro. Rimuovere gli oggetti che potrebbero venir lanciati in aria.
  - Lavorare sempre in posizione sicura e stabile.
  - Non lasciare mai il prodotto senza supervisione con il motore acceso.
  - Accertarsi che mani e piedi non tocchino il gruppo di taglio a motore acceso.
  - Se corpi estranei rimangono impigliati nelle lame mentre l'utensile di taglio è in funzione, spegnere il motore ed attendere che l'utensile di taglio si sia arrestato completamente prima di pulire le lame. Togliere il cavo di accensione dalla candela. Vedere *Ispezione delle lame alla pagina 192*.
  - Una volta spento il motore, tenere mani e piedi lontani dal gruppo di taglio fino al suo completo arresto.
  - Fare attenzione ad eventuali ramoscelli che potrebbero venir lanciati in aria durante l'operazione.
  - Far sempre attenzione a segnali di allarme o chiamate quando si utilizzano le cuffie protettive. Togliere sempre le cuffie protettive immediatamente all'arresto del motore.
  - Non lavorare mai su una scala, uno sgabello o in altra posizione sollevata da terra che non sia ben fissata.
  - Tenere sempre il prodotto con entrambe le mani. Tenere il prodotto davanti al proprio corpo.
  - In caso di collisione con un oggetto o all'insorgere di vibrazioni arrestare il prodotto immediatamente. Togliere il cavo di accensione dalla candela. Controllare che il prodotto non presenti danni. Riparare eventuali guasti riscontrati.
  - Accertarsi che il cappuccio della candela e il cavo di accensione non siano danneggiati per evitare il rischio di scossa elettrica.
  - Controllare che tutti i dadi e le viti siano ben serrati.
  - Assicurarsi che la scatola ingranaggi sia opportunamente lubrificata. Vedere *Lubrificazione della scatola ingranaggi alla pagina 192*.
  - Lavorando con il prodotto la scatola ingranaggi si riscalda. Evitare di toccare la scatola ingranaggi per evitare ustioni.
  - Tutti i carter e le protezioni devono essere montati prima dell'avviamento.
  - Quando il prodotto non viene usato, coprire sempre il gruppo di taglio con la protezione di trasporto.

## Istruzioni di sicurezza per l'utilizzo



**AVVERTENZA:** Leggere le seguenti avvertenze prima di utilizzare il prodotto.

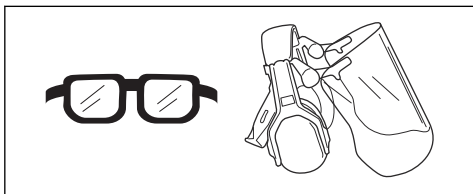
- Non usare mai il prodotto in condizioni climatiche estreme come temperature molto basse o clima estremamente caldo e/o umido.

## Abbigliamento protettivo personale

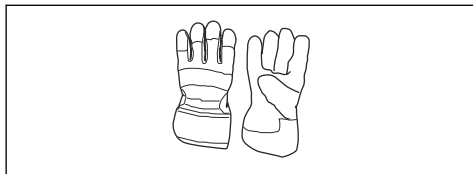


**AVVERTENZA:** Leggere le seguenti avvertenze prima di utilizzare il prodotto.

- Usare sempre abbigliamento protettivo personale omologato quando si utilizza il prodotto. L'uso di abbigliamento protettivo personale non elimina il rischio di lesioni, ma ne riduce la gravità in caso di incidente. Farsi consigliare dal rivenditore per la scelta dell'attrezzatura adatta.
- Usare cuffie protettive con effetto insonorizzante adeguato. Una lunga esposizione al rumore può comportare lesioni permanenti all'udito.
- Utilizzare protezioni per gli occhi omologate. Con l'uso della visiera è necessario anche l'uso di occhiali protettivi omologati. Con il termine occhiali protettivi omologati si intendono occhiali che siano conformi alle norme ANSI Z87.1 per gli USA o EN 166 per i paesi EU.



- Indossare guanti ove necessario, ad esempio per montare, ispezionare o pulire l'attrezzatura di taglio.

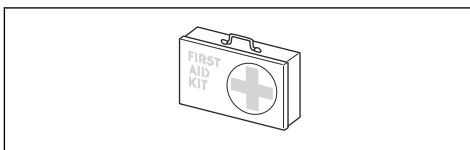


- Usare scarpe o stivali robusti e antisdrucchiolo.



- Indossare indumenti di tessuto resistente. Indossare sempre pantaloni lunghi e pesanti e maniche lunghe. Non indossare indumenti larghi che potrebbero impigliarsi nei ramoscelli e nei rami. Non indossare gioielli, pantaloni corti o sandali e non lavorare a piedi nudi. Raccogliere i capelli in modo sicuro sopra le spalle.

- Tenere a portata di mano il kit di primo soccorso.



## Dispositivi di sicurezza sul prodotto

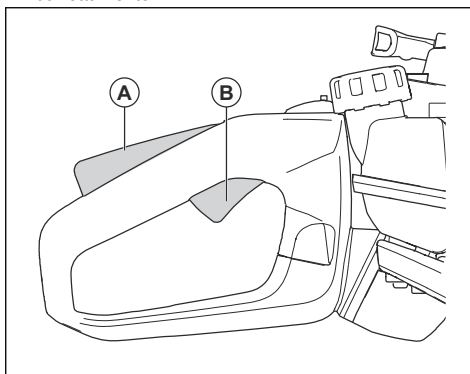


**AVVERTENZA:** Leggere le seguenti avvertenze prima di utilizzare il prodotto.

- Non utilizzare un prodotto con dispositivi di sicurezza difettosi.
- Effettuare un controllo dei dispositivi di sicurezza con regolarità. Se i dispositivi di sicurezza sono difettosi, rivolgersi alla propria officina Husqvarna.

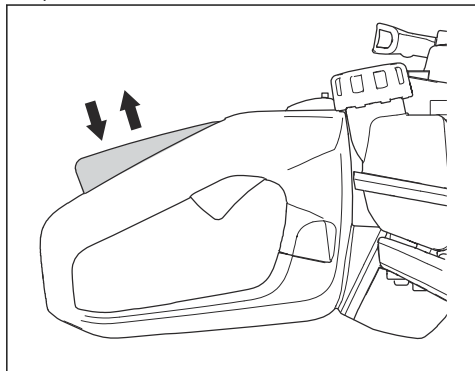
## Controllo del blocco del grilletto acceleratore

1. Controllare che il blocco del grilletto acceleratore (A) e il grilletto dell'acceleratore (B) si muovano liberamente e che le molle di richiamo funzionino correttamente.

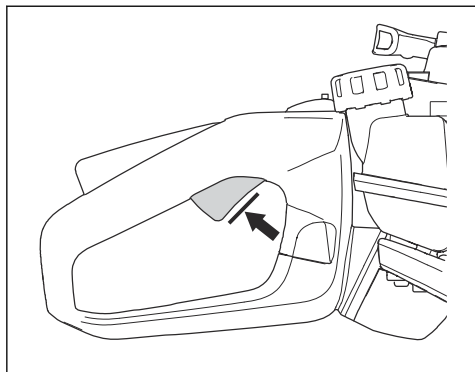




2. Abbassare il blocco del grilletto acceleratore e accertarsi che ritorni nella sua posizione iniziale quando viene rilasciato.



3. Assicurarsi che il grilletto dell'acceleratore sia bloccato sul minimo quando il blocco del grilletto dell'acceleratore viene rilasciato.



4. Avviare il prodotto e accelerare al massimo.
5. Rilasciare il grilletto dell'acceleratore e accertarsi che le lame si arrestino e rimangano ferme.



**AVVERTENZA:** Se le lame ruotano mentre l'acceleratore è al minimo, è necessario regolare al minimo il carburatore. Vedere *Regolazione del regime minimo alla pagina 191*.

#### Controllo dell'interruttore di arresto

1. Avviare il motore.
2. Portare l'interruttore di arresto in posizione di arresto e accertarsi che il motore si arresti.



**AVVERTENZA:** L'interruttore di arresto torna automaticamente nella posizione di avviamento. Per evitare l'avviamento accidentale, rimuovere il cappuccio dalla candela durante il

montaggio o eseguire la manutenzione del prodotto.

#### Controllo della protezione della mano

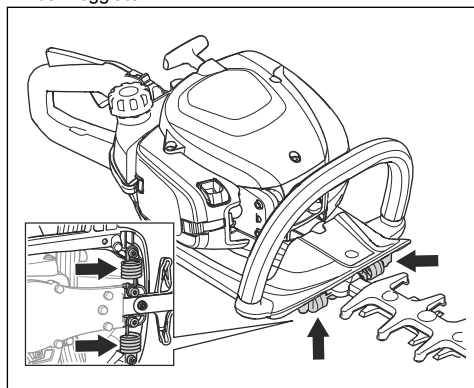
La protezione della mano impedisce che le mani possano ferirsi entrando in contatto con le lame in movimento.

1. Spegner il motore.
2. Assicurarsi che la protezione per la mano sia fissata correttamente.
3. Controllare la protezione della mano per verificare la presenza di eventuali danni

#### Controllo del sistema di smorzamento delle vibrazioni

Il sistema di smorzamento delle vibrazioni riduce le vibrazioni all'impugnatura. Gli smorzatori funzionano come separazione tra il corpo del prodotto e l'impugnatura.

1. Eseguire un controllo visivo per verificare l'eventuale presenza di danni e deformazioni.
2. Assicurarsi che le unità antivibranti non siano danneggiate.



#### Controllo della marmitta



**AVVERTENZA:** Non utilizzare il prodotto senza marmitta o con marmitta difettosa. Una marmitta difettosa può aumentare il livello acustico e il rischio di incendio. Non utilizzare il prodotto senza retina parascintille o con una retina parascintille rotta. Se la retina parascintille è danneggiata, è necessario sostituirla.



**AVVERTENZA:** Le marmitte si scaldano notevolmente durante e dopo l'utilizzo, anche quando il motore è a regime minimo.



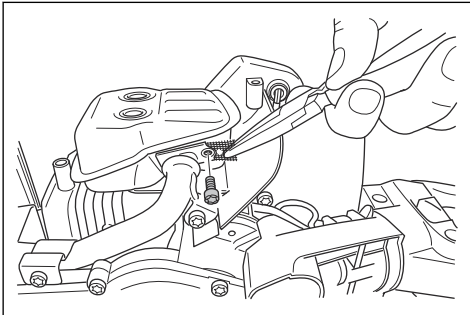
**ATTENZIONE:** Se la retina si ostruisce spesso, le prestazioni del convertitore catalitico potrebbero essere calate. Per un'ispezione della marmitta, contattare l'assistenza. Una retina parascintille ostruita provoca il surriscaldamento della macchina con conseguenti danni a cilindro e pistone.



**AVVERTENZA:** Le superfici interne della marmitta contengono sostanze chimiche che possono causare il cancro. Fare attenzione a non toccare queste sostanze se la marmitta è danneggiata.

La marmitta assicura il minimo livello acustico e allontana i fumi di scarico dall'operatore. La marmitta con convertitore catalitico riduce i gas di scarico nocivi.

1. Spegnerne il motore.
2. Eseguire un controllo visivo per verificare l'eventuale presenza di danni e deformazioni.
3. Assicurarsi che la marmitta sia saldamente fissata al prodotto.
4. Pulire la retina parascintille con una spazzola metallica.



#### Controllo delle lame e della protezione lama

La parte esterna delle lame ha la funzione di protezione lama. La protezione lama evita eventuali lesioni.

1. Arrestare il motore e assicurarsi che le lame si arrestino.
2. Rimuovere il cappuccio dalla candela.
3. Indossare guanti protettivi.
4. Accertarsi che la lama e la protezione lama non siano danneggiate o incrinata. Sostituire sempre una lama danneggiata o piegata o una protezione lama danneggiata.
5. Accertarsi che le viti di lame e protezione lama siano ben serrate.

#### Sicurezza nell'uso del carburante



**AVVERTENZA:** Leggere le seguenti avvertenze prima di utilizzare il prodotto.

- Non avviare il prodotto nel caso in cui vi sia carburante o olio motore su di esso. Rimuovere il carburante/olio indesiderato e lasciare che il prodotto si asciughi.
- In caso di perdite di carburante sugli indumenti, cambiarsi immediatamente.
- Il carburante non deve arrivare a contatto con il corpo, poiché può causare lesioni. In caso di contatto del carburante con il corpo, rimuoverlo con acqua e sapone.
- Non avviare il prodotto se il motore presenta una perdita. Esaminare regolarmente il motore per verificare la presenza di eventuali perdite.
- Prestare la massima attenzione con il carburante. Il carburante è infiammabile e i fumi sono esplosivi quindi possono causare lesioni o morte.
- Non respirare i fumi del carburante perché possono causare lesioni. Accertarsi che ci sia un flusso d'aria sufficiente.
- Non fumare in prossimità del carburante o del motore.
- Non posizionare oggetti caldi in prossimità del carburante o del motore.
- Non aggiungere carburante a motore acceso.
- Assicurarsi che il motore sia freddo prima di effettuare il rifornimento.
- Prima di effettuare il rifornimento, aprire lentamente il tappo del serbatoio del carburante e rilasciare la pressione con cautela.
- Non aggiungere carburante al motore in un ambiente chiuso. Un flusso d'aria insufficiente può causare lesioni o la morte dovute ad asfissia o al monossido di carbonio.
- Stringere completamente il tappo del serbatoio del carburante. Se il tappo del serbatoio carburante non è serrato, vi è il rischio di incendio.
- Prima dell'avviamento, spostare il prodotto di almeno 3 m/10 ft dal punto in cui è stato riempito il serbatoio del carburante.
- Non riempire completamente il serbatoio del carburante. Il calore provoca l'espansione del carburante. Lasciare dello spazio nella parte superiore del serbatoio del carburante.

#### Istruzioni di sicurezza per la manutenzione



**AVVERTENZA:** Leggere le seguenti avvertenze prima di utilizzare il prodotto.

- Arrestare il motore e assicurarsi che l'attrezzatura di taglio si arresti. Attendere che il prodotto si raffreddi prima di eseguire la manutenzione.
- Rimuovere il cappuccio dalla candela prima di eseguire la manutenzione.
- I fumi di scarico del motore contengono monossido di carbonio, un gas inodore, velenoso e altamente pericoloso che può causare la morte. Non far funzionare il prodotto in ambienti chiusi o in spazi angusti.
- I fumi di scarico del motore sono molto caldi e possono contenere scintille. Non mettere in funzione il prodotto in ambienti chiusi o vicino a materiale infiammabile.
- Accessori e modifiche apportate al prodotto che non siano stati approvati dal costruttore possono causare gravi lesioni, anche fatali. Non apportare modifiche al prodotto. Utilizzare sempre accessori originali.
- Se la manutenzione non viene eseguita correttamente e con regolarità, vi è un aumento nel rischio di lesioni personali e danni al prodotto.
- Eseguire unicamente la manutenzione consigliata in questo manuale operatore. Rivolgersi a un'officina Husqvarna autorizzata per tutti gli altri interventi.
- Rivolgersi a un'officina Husqvarna autorizzata per far svolgere regolarmente interventi di manutenzione sul prodotto.
- Sostituire le parti danneggiate, usurate o rotte.

## Utilizzo

### Introduzione



**AVVERTENZA:** Leggere e comprendere il capitolo sulla sicurezza prima di utilizzare la macchina.

### Carburante

Questo prodotto è dotato di un motore a due tempi.



**ATTENZIONE:** Un carburante di tipo errato può causare danni al motore. Utilizzare una miscela di benzina e olio per motori a due tempi.

### Carburante premiscelato

- Utilizzare carburante alchilato premiscelato Husqvarna per garantire le migliori prestazioni e prolungare la durata del motore. Questo carburante contiene sostanze chimiche meno pericolose rispetto al normale carburante, che riduce le emissioni di scarico pericolose. Con questo carburante, che mantiene i componenti del motore più puliti, la quantità di residui dopo la combustione è inferiore.

### Per miscelare il carburante

#### Benzina

- Utilizzare benzina senza piombo di buona qualità con massimo il 10% di etanolo.



**ATTENZIONE:** Non utilizzare benzina con un numero di ottani inferiore a 90 RON/87 AKI. Un numero inferiore di ottani può causare il battito in testa del motore, che provoca danni al motore.

#### Olio per motori a due tempi

- Per risultati e prestazioni ottimali, utilizzare l'olio per motori a due tempi Husqvarna.

- Se l'olio per motori a due tempi Husqvarna non è disponibile, utilizzare un olio per motori a due tempi raffreddati ad aria di buona qualità. Rivolgetevi al vostro rivenditore addetto all'assistenza per selezionare il tipo di olio.



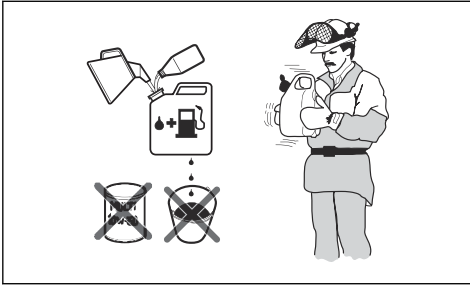
**ATTENZIONE:** Non usare mai olio per motori fuoribordo a due tempi raffreddati ad acqua. Non utilizzare olio per motori a quattro tempi.

#### Per miscelare benzina e olio per motori a due tempi

Benzina, litri	Olio a due tempi, litri
	<b>2% (50:1)</b>
5	0,10
10	0,20
15	0,30
20	0,40



**ATTENZIONE:** Piccoli errori possono influenzare drasticamente il rapporto della miscela quando si miscelano piccole quantità di carburante. Misurare con precisione la quantità d'olio e accertarsi di ottenere la giusta miscela.



1. Riempire metà della quantità di benzina in un contenitore pulito per carburante.
2. Aggiungere la quantità totale di olio.
3. Mescolare la miscela.
4. Aggiungere la quantità residua di benzina nel contenitore.
5. Mescolare agitando con cura la miscela di carburante.



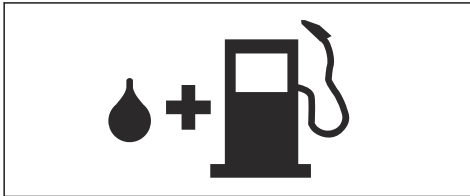
**ATTENZIONE:** Non mescolare il carburante più di 1 volta al mese.

## Rifornimento di carburante



**AVVERTENZA:** Attenersi alla procedura indicata di seguito per la propria sicurezza.

1. Arrestare il motore e farlo raffreddare.
2. Pulire l'area intorno al tappo del serbatoio del carburante.



3. Agitare il contenitore e assicurarsi che il carburante sia ben mescolato.
4. Rimuovere lentamente il tappo del serbatoio del carburante per rilasciare la pressione.
5. Riempire il serbatoio del carburante.



**ATTENZIONE:** Assicurarsi che nel serbatoio non vi sia una quantità eccessiva di carburante. Il carburante si espande quando si scalda.

6. Stringere con cura il tappo del serbatoio del carburante.

7. Pulire eventuale carburante fuoriuscito sul prodotto e intorno ad esso.
8. Spostare il prodotto ad almeno 3 m/10 ft dal luogo e dalla fonte di rifornimento prima di avviare il motore.

**Nota:** Per individuare il serbatoio del carburante sul prodotto, fare riferimento a *Panoramica del prodotto alla pagina 181*.

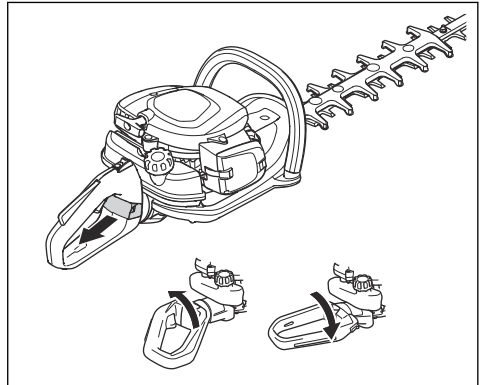
## Installazione della protezione delle punte delle lame

1. Rimuovere il dado e il bullone sulla punta della lama.
2. Montare la protezione sulle punte delle lame.
3. Montare il bullone e serrarlo a 7 Nm.
4. Montare il dado e serrarlo a 5 Nm.

## Per regolare l'impugnatura

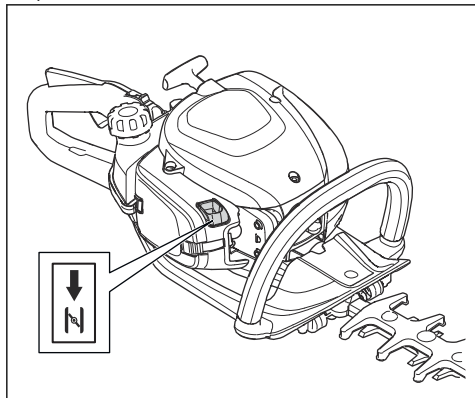
L'impugnatura posteriore può essere regolata in 3 posizioni.

- Rilasciare il blocco dell'impugnatura e ruotare quest'ultima.



## Avvio del prodotto con il motore freddo

1. Portare il comando della valvola dell'aria nella posizione di starter.



2. Premere il primer del carburante circa 6 volte o fino a quando non comincia a riempirsi di carburante. Non è necessario riempire il primer del carburante completamente.
3. Mantenere il corpo del prodotto a terra con la mano sinistra. Non salire sul prodotto.
4. Tirare l'impugnatura della fune di avviamento lentamente con la mano destra fino ad avvertire una leggera resistenza, quindi tirare l'impugnatura con forza.



**AVVERTENZA:** Non avvolgere il cavo di avviamento attorno alla mano.



**ATTENZIONE:** Non tirare la fune di avviamento a estensione completa e non lasciare andare l'impugnatura della fune di avviamento.

5. Continuare a tirare la fune di avviamento finché non si avvia il motore, quindi premere il comando della valvola dell'aria nella posizione di starter.



**AVVERTENZA:** Le lame girano quando si avvia il motore.

6. Continuare a tirare l'impugnatura della fune di avviamento finché il motore non si avvia.
7. Premere e rilasciare il grilletto acceleratore per portare il motore al regime minimo.
8. Spingere gradualmente il comando dell'acceleratore per aumentare la velocità del motore.

9. Assicurarsi che il motore funzioni regolarmente.

## Avvio del prodotto con motore caldo

1. Mantenere il corpo del prodotto a terra con la mano sinistra. Non salire sul prodotto.
2. Tirare l'impugnatura della fune di avviamento lentamente con la mano destra fino ad avvertire una leggera resistenza, quindi tirare l'impugnatura con forza. Continuare l'operazione finché il motore non si accende.

**Nota:** Per ulteriori informazioni su come avviare il prodotto, fare riferimento a *Avvio del prodotto con il motore freddo* alla pagina 189.

## Arresto del prodotto

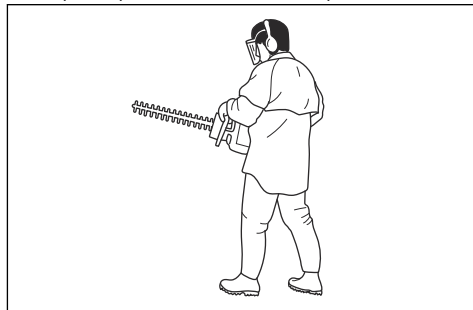
- Spostare l'interruttore di arresto in posizione di arresto per spegnere il motore.



**ATTENZIONE:** L'interruttore di arresto torna automaticamente nella posizione di funzionamento.

## Utilizzo del prodotto

1. Iniziare da terra e spostare il prodotto verso l'alto lungo la siepe se si tagliano i lati. Assicurarsi che il corpo del prodotto non tocchi la siepe.



**AVVERTENZA:** Assicurarsi che la parte anteriore dell'attrezzatura di taglio non tocchi il terreno.

2. Regolare la velocità da allineare al carico di lavoro.
3. Tenere il prodotto vicino al corpo per una posizione di lavoro stabile.
4. Prestare attenzione e utilizzare il prodotto lentamente.

# Manutenzione

## Introduzione

prima di eseguire la manutenzione del prodotto.



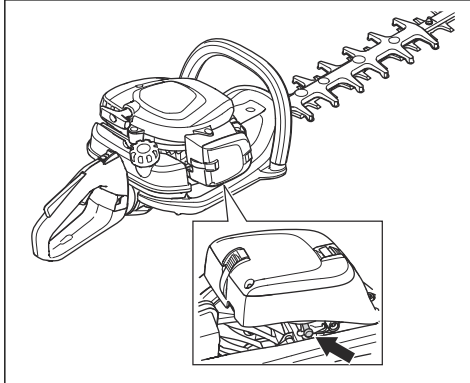
**AVVERTENZA:** Leggere attentamente il capitolo sulla sicurezza

## Programma di manutenzione

Manutenzione	Prima dell'utilizzo	Dopo 40 ore	Dopo 100 ore
Pulire la superficie esterna.		Dopo ogni utilizzo.	
Rimuovere foglie, sporcizia e grasso superfluo dalla marmitta, dal tubo di scarico e dal motore.		Dopo ogni utilizzo.	
Controllare che il gruppo di taglio non ruoti a un regime minimo.	X		
Effettuare un controllo dell'interruttore di arresto.	X		
Esaminare il gruppo di taglio e la protezione del gruppo di taglio per rilevare eventuali danni o incrinature. Sostituirli, in caso di danni.	X		
Esaminare la protezione per la mano per rilevare eventuali danni o incrinature. Sostituirli, in caso di danni.	X		
Effettuare un controllo del blocco del grilletto acceleratore e del grilletto stesso.	X		
Esaminare il motore, il serbatoio del carburante e le tubazioni del carburante per accertare eventuali perdite.	X		
Serrare dadi e viti.	X		
Verificare la presenza di eventuali contaminanti nel filtro del carburante e che il tubo pescante non presenti incrinature o altri difetti. Sostituire se necessario.	X		
Esaminare il motorino di avviamento e la corda di avviamento per rilevare eventuali danni.		X	
Pulire il filtro dell'aria. Sostituirli se necessario.		X	
Controllare se le unità antivibranti presentano danni o incrinature.		X	
Esaminare la candela, fare riferimento a <i>Per esaminare la candela alla pagina 191.</i>		X	
Pulire il sistema di raffreddamento.		X	
Pulire la superficie esterna del carburatore e la zona circostante.		X	
Pulire o sostituire la rete parascintille.			X
Pulire la superficie interna del serbatoio del carburante.			X
Esaminare la candela.			X
Assicurarsi che la scatola ingranaggi sia piena di grasso.			X

## Regolazione del regime minimo

1. Pulire il filtro dell'aria e fissare il coperchio del filtro dell'aria.
2. Accendere il prodotto, fare riferimento a *Avvio del prodotto con il motore freddo alla pagina 189*.
3. Girare la vite a T di regolazione del minimo in senso orario fino a quando il gruppo di taglio non comincia a ruotare.



4. Ruotare la vite di regolazione del minimo in senso antiorario fino a quando il gruppo di taglio si arresta.



**AVVERTENZA:** Se il gruppo di taglio non si ferma quando si regola il regime minimo, rivolgersi al centro assistenza più vicino. Non usare il prodotto prima di aver eseguito le necessarie regolazioni o riparazioni.

**Nota:** Il regime minimo è corretto quando il motore funziona regolarmente in tutte le posizioni. Vedere *Dati tecnici alla pagina 193* per il regime del minimo consigliato.

## Pulizia del sistema di raffreddamento

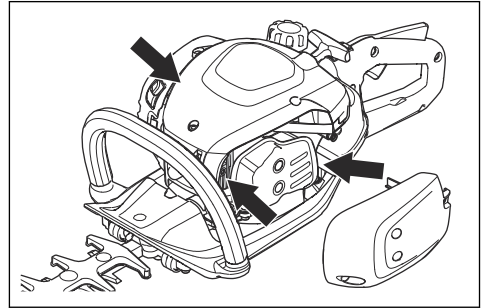
Il sistema di raffreddamento mantiene bassa la temperatura del motore. Il sistema di raffreddamento comprende le alette di ventilazione sul cilindro e il carter avviamento.



**ATTENZIONE:** La presa d'aria tra il serbatoio del carburante e il carter motore si ostruisce facilmente a causa delle foglie. Pulire a fondo la presa dell'aria.

1. Pulire il sistema di raffreddamento con una spazzola settimanalmente o più spesso se le condizioni lo richiedono.

2. Accertarsi che il sistema di raffreddamento non sia sporco o ostruito.

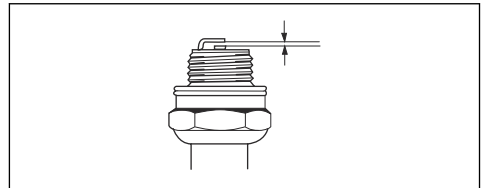


## Per esaminare la candela



**ATTENZIONE:** Usare candele originali o del tipo raccomandato. Un tipo di candela errato può danneggiare il prodotto.

- Controllare la candela nel caso in cui il motore giri a bassa potenza, risulti difficile da avviare o non funzioni correttamente al regime minimo.
- Per ridurre il rischio di accumulo di materiale superfluo sugli elettrodi delle candele, osservare le seguenti istruzioni:
  - a) Accertarsi che il regime minimo sia regolato correttamente.
  - b) Accertarsi che la miscela sia corretta.
  - c) Accertarsi che il filtro dell'aria sia pulito.
- Se la candela è incrostata, pulirla e controllare che la distanza tra gli elettrodi sia corretta; vedere *Dati tecnici alla pagina 193*.



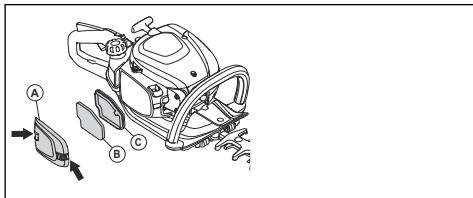
- Sostituire la candela secondo necessità.

## Pulizia del filtro dell'aria.

Pulire regolarmente il filtro dell'aria dallo sporco e dalla polvere. In questo modo si evitano malfunzionamenti del carburatore, problemi di avviamento, calo di potenza del motore, usura dei componenti del motore e più consumo di carburante rispetto al normale.

1. Rimuovere il coperchio del filtro dell'aria (A).

2. Rimuovere il filtro a schiuma (B) e il filtro in feltro (C) dal telaio del filtro.



3. Sostituire il filtro in feltro (C).
4. Pulire il filtro a schiuma (B) con acqua calda e sapone.

**Nota:** Un filtro dell'aria utilizzato per un lungo periodo non può essere pulito completamente. Sostituire regolarmente il filtro dell'aria e sostituire sempre un filtro aria difettoso.

5. Assicurarsi che il filtro a schiuma (B) sia asciutto.
6. Applicare dell'olio per il filtro dell'aria e il filtro a schiuma (B). Vedere *Applicazione dell'olio sul filtro dell'aria alla pagina 192*
7. Pulire la superficie interna del coperchio del filtro dell'aria (A). Utilizzare aria compressa o una spazzola.

## Applicazione dell'olio sul filtro dell'aria

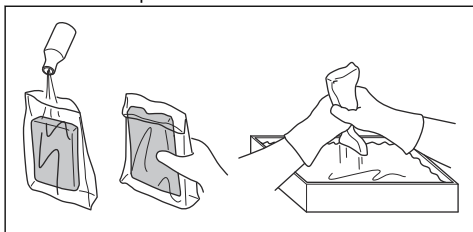


**ATTENZIONE:** Utilizzare sempre olio speciale per filtro Husqvarna. Non utilizzare altri tipi di olio.



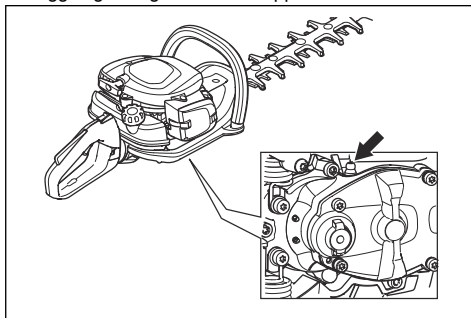
**AVVERTENZA:** Indossare guanti protettivi. Il filtro aria-olio può causare irritazioni cutanee.

1. Riporre il filtro dell'aria in un sacchetto di plastica.
2. Versare l'olio nel sacchetto di plastica.
3. Massaggiare il sacchetto di plastica per assicurarsi che l'olio venga distribuito in modo uniforme sul filtro dell'aria.
4. Rimuovere l'olio superfluo dal filtro dell'aria nel sacchetto di plastica.



## Lubrificazione della scatola ingranaggi

- Usare grasso speciale Husqvarna. Rivolgersi al centro di assistenza per maggiori informazioni sul grasso consigliato.
- Aggiungere il grasso con il nipplo di lubrificazione.



**ATTENZIONE:** Non riempire completamente la scatola ingranaggi.

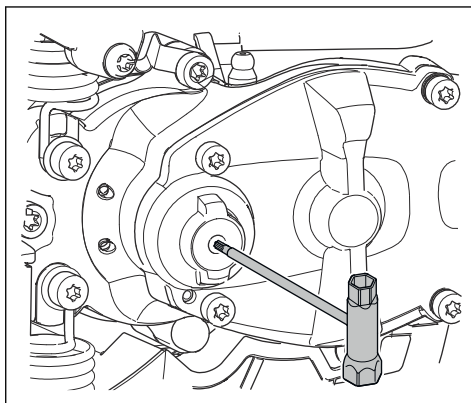
## Pulizia e lubrificazione delle lame

1. Pulire le lame da sostanze indesiderate, prima e dopo aver utilizzato il prodotto.
2. Lubrificare le lame se si prevede di non utilizzare il prodotto per un periodo di tempo prolungato.

**Nota:** Rivolgersi al centro di assistenza per maggiori informazioni sui detergenti e i lubrificanti consigliati.

## Ispezione delle lame

1. Rimuovere il coperchio sulla scatola degli ingranaggi.
2. Accertarsi che le lame ruotino liberamente. Inserire la chiave universale nella scatola ingranaggi e farla ruotare in senso orario e in senso antiorario.





3. Esaminare i bordi delle lame per rilevare eventuali danni o deformazioni.

4. Usare una lima per rimuovere le irregolarità sulle lame.

## Trasporto, stoccaggio e smaltimento

### Trasporto e rimessaggio

- Fare raffreddare sempre il prodotto prima del rimessaggio.
- Per trasportare e conservare il prodotto e il carburante, accertarsi che non vi siano perdite o fumi. Scintille o fiamme aperte, provocate ad esempio da dispositivi elettrici o caldaie, possono innescare un incendio.
- Utilizzare sempre contenitori approvati per la conservazione e il trasporto del carburante.
- Svuotare il carburante prima del trasporto o prima di lunghi periodi di rimessaggio. Smaltire il carburante presso un apposito centro di smaltimento.
- Fissare la protezione di trasporto durante il trasporto e lo stoccaggio.
- Rimuovere il cappuccio dalla candela.
- Fissare il prodotto durante il trasporto. Assicurarsi che non si possa spostare.
- Pulire ed effettuare la manutenzione del prodotto prima di lunghi periodi di stoccaggio.

## Dati tecnici

### Dati tecnici

	522HD60X	522HDR60X	522HDR75X
<b>Motore</b>			
Cilindrata, cm <sup>3</sup>	21,7	21,7	21,7
Regime minimo, giri/min	3000	3000	3000
Velocità massima raccomandata, giri/min	9200	9200	9200
Potenza max. motore a norma ISO 8893, kW/hp @ giri/min.	0,6/0,8 @ 7800	0,6/0,8 @ 7800	0,6/0,8 @ 7800
Marmitta con convertitore catalitico	Sì	Sì	Sì
<b>Impianto di accensione</b>			
Candela	NGK CMR6A	NGK CMR6A	NGK CMR6A
Distanza tra gli elettrodi, mm	0,5	0,5	0,5
<b>Carburante</b>			
Capacità del serbatoio del carburante, l/cm <sup>3</sup>	0,45/450	0,45/450	0,45/450
<b>Peso</b>			
Carburante escluso, kg	4,9	5,0	5,2
<b>Emissioni di rumore</b> <sup>37</sup>			
Livello acustico, misurato dB (A)	101	101	101
Livello acustico, garantito L <sub>WA</sub> dB(A)	102	102	102

<sup>37</sup> Emissioni di rumore nell'ambiente misurate come potenza sonora (L<sub>WA</sub>) in base alla direttiva CE 2000/14/CE. Il livello di potenza acustica riportato per il prodotto è stato misurato con il gruppo di taglio originale che emette il livello massimo. La differenza tra potenza acustica misurata e garantita è che la potenza acustica garantita comprende anche la dispersione nel risultato di misurazione e le variazioni tra i diversi prodotti dello stesso modello come da Direttiva 2000/14/CE.

	522HD60X	522HDR60X	522HDR75X
<b>Livelli di rumorosità</b> <sup>38</sup>			
Livello di pressione acustica equivalente rispetto all'udito dell'operatore, misurato in base alle norme EN ISO 10517, dB(A)	93	93	93
<b>Livelli di vibrazioni</b> <sup>39</sup>			
Livelli di vibrazione equivalenti ( $a_{hv,eq}$ ) sulle impugnature, misurati in base alla norma EN ISO 10517, in $m/s^2$ :			
anteriore/posteriore, mm/s <sup>2</sup>	2,7/1,2	2,8/1,3	2,1/2,2
<b>Lame</b>			
Tipo	A doppio taglio	A doppio taglio	A doppio taglio
Lunghezza di taglio, mm	600	600	750
Velocità di taglio, tagli/min	4400	3200	3200

<sup>38</sup> I dati riportati per il livello di pressione acustica hanno una dispersione statistica tipica (deviazione standard) di 1 dB(A).

<sup>39</sup> I dati riportati per il livello di vibrazioni presentano una dispersione statistica tipica (deviazione standard) di 1  $m/s^2$ .

# Dichiarazione di conformità

## Dichiarazione di conformità UE

Husqvarna AB, SE-561 82 Huskvarna, Svezia, tel:  
+46-36-146500, dichiara sotto la propria esclusiva  
responsabilità che il prodotto indicato:

<b>Descrizione</b>	Tagliasiepi
<b>Marchio</b>	Husqvarna
<b>Tipo / Modello</b>	522HD60X, 522HDR60X, 522HDR75X
<b>Identificazione</b>	Numeri di serie a partire da 2022 e successivi

È pienamente conforme alle seguenti norme e direttive  
UE:

<b>Regolamento</b>	<b>Descrizione</b>
2006/42/CE	"sulle macchine"
2014/30/UE	"sulla compatibilità elettromagnetica"
2000/14/CE	"sull'emissione di rumore nell'ambiente"
2011/65/UE	"sulle restrizioni dell'uso di determinate sostanze pericolose nelle apparecchiature elettriche ed elettroniche"

e che sono applicati gli standard e/o le specifiche tecniche seguenti: EN ISO 12100:2021, CISPR 12: 2009, EN ISO 10517:2009/A1:2013, EN IEC 63000:2018.

RISE SMP Svensk Maskinprovning AB, ha eseguito l'omologazione volontaria per conto di Husqvarna AB. Numero del certificato: SEC/18/2518.

RISE SMP Svensk Maskinprovning AB, ha verificato la conformità alla Direttiva del Consiglio 2000/14/CE "sulle emissioni di rumore nell'ambiente" dell'8 maggio 2000. Numeri dei certificati: 01/094/026-522HD60X, 01/094/027-522HDR60X, 522HDR75X.

Per informazioni sulle emissioni acustiche, fare riferimento a *Dati tecnici alla pagina 193*.

Huskvarna, 2022-05-09

Stefan Holmberg, Responsabile R&S , Technology Management, Husqvarna AB

Responsabile della documentazione tecnica

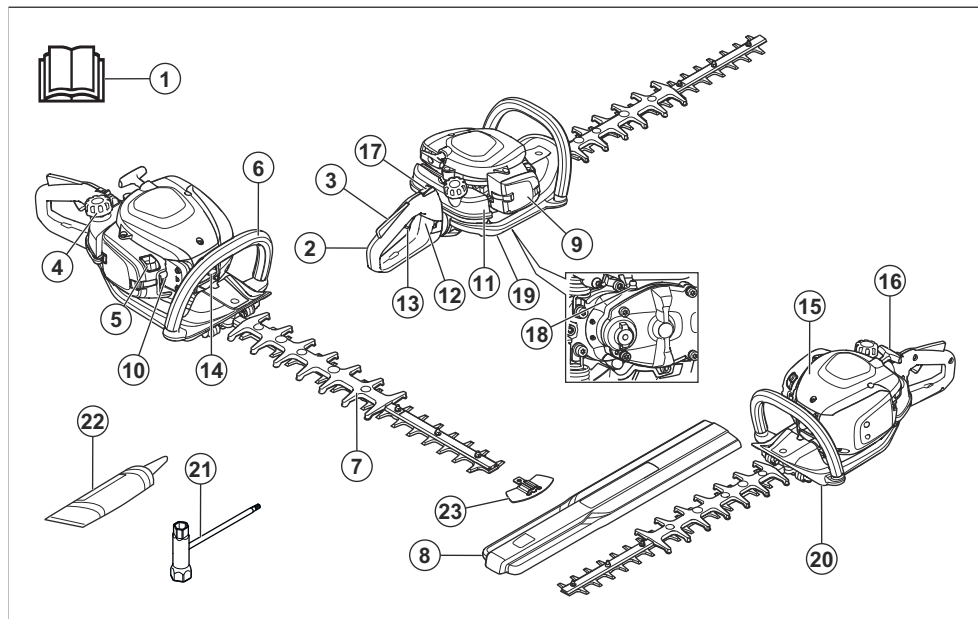


# TURINYS

Įvadas.....	196	Transportavimas, saugojimas ir utilizavimas.....	207
Sauga.....	197	Techniniai duomenys.....	207
Naudojimas.....	202	Atitikties deklaracija.....	209
Techninė priežiūra.....	204		

## Įvadas

### Gaminio apžvalga



1. Naudojimo instrukcija
2. Galinė rankena
3. Akceleratoriaus gaiduko fiksatorius
4. Kuro bakelio dangtelis
5. Oro sklendė
6. Priekinė rankena
7. Pjovimo diskas ir disko apsauga
8. Transportavimui skirtas apsauginis elementas
9. Oro filtro dangtelis
10. Oro šalinimo siurbliukas
11. Kuro bakelis
12. Rankenos fiksatorius
13. Akceleratoriaus gaidukas
14. Žvakės antgalis ir uždegimo žvakė
15. Cilindro dangtelis
16. Starterio virvės rankena

17. Stabdymo jungiklis
18. Tepimo antgalis
19. Pavaros korpusas
20. Rankos apsauginis elementas
21. Kombinuotas veržliaraktis
22. Tepalo tūbelė
23. Peilio galiuko apsauga

### Gaminio aprašas

Gaminys yra gyvatvorių žirklys su vidaus degimo varikliu.

### Naudojimas

Gaminį naudokite šakų ir šakelių kirpimui. Nenaudokite gaminio kitiems darbams.

## Simboliai ant gaminio



Sustabdyti.



Būkite atsargūs ir tinkamai naudokite gaminį. Šis gaminys gali rimtai sužeisti arba pražudyti operatorių arba aplinkinius.



Prieš naudodami, atidžiai perskaitykite naudojimo instrukciją ir įsitikinkite, kad viską gerai supratote.



Naudokite patvirtintas apsaugines ausines ir apsauginius akinius.



Naudokite patvirtintas apsaugines pirštines.



Avėkite patvarius, neslystančius batus.

# T

Tuščiosios eigos reguliavimo varžtas.

# H

Didelių sūkių reguliavimo adata.

# L

Mažų sūkių reguliavimo adata.



Triukšmo emisija į aplinką atitinka Europos direktyvą 2000/14/EB ir Naujojo Pietų Velso įstatymą „2017 m. aplinkos apsaugos (triukšmo kontrolės) reglamentas“. Triukšmo emisijos duomenys nurodyti įrenginio etiketėje ir skyriuje „Techniniai duomenys“.

# CE

Šis gaminys atitinka taikomas EB direktyvas.

# UK CA

Šis gaminys atitinka taikytinų JK reglamentų nuostatas.

yyyywwxxxx

Nominalių parametrų plokštelėje nurodytas serijos numeris. **yyyy** yra pagaminimo metai, o **ww** yra pagaminimo savaitė.

**Pasižymėkite:** Kiti ant gaminio pateikti simboliai (etiketės) skirti kai kurių rinkų sertifikavimo reikalavimams.

## „Euro V“ standartas



**PERSPĖJIMAS:** Variklio modifikavimas panaikina šio produkto ES tipo patvirtinimą.

## Sauga

### Saugos ženklų reikšmės

Įspėjimai, perspėjimai ir pastabos yra skirtos atkreipti dėmesį į ypač svarbias vadovo dalis.



**PERSPĖJIMAS:** Naudojamas, kai naudotojui ar šalia esantiems asmenims kyla mirtino arba sunkaus sužeidimo pavojus arba, jei nesilaikoma vadove pateiktų nurodymų.



**PASTABA:** Naudojamas, kai kyla pavojus sugadinti gaminį, kitas medžiagas arba padaryti žalą aplinkai, jei nesilaikoma vadove pateiktų nurodymų.

**Pasižymėkite:** Naudojamas papildomai informacijai apie konkrečią situaciją pateikti.

### Bendrieji saugos nurodymai



**PERSPĖJIMAS:** Prieš naudodami gaminį, perskaitykite toliau esančius įspėjimus.

- Netinkamai ar nerūpestingai naudodami gaminį galite rimtai ar net mirtinai susižaloti. Todėl ypač svarbu perskaityti ir suprasti šias naudojimo instrukcijas.
- Šis gaminys veikdamas sukuria elektromagnetinį lauką. Tam tikromis aplinkybėmis šis laukas gali trikdyti aktyviųjų arba pasyviųjų medicininių implantų

veiklą. Kad sumažėtų sunkaus ar netgi mirtino sužeidimo pavojus, medicininių implantų turintiems asmenims rekomenduojame prieš naudojant šį gaminį pasitarti su gydytoju ir implanto gamintoju.

- Ilgalaikė vibracija gali pakenkti silpnesnės sveikatos žmonių kraujo apytakai ir nervų sistemai. Pajutę somatinius negalavimo požymius, kreipkitės į gydytoją. Simptomai yra nutirpimas, nejautrumas, badymas, dilgčiojimas, skausmas, silpnumas, odos spalvos ir būklės pakitimas. Šie simptomai paprastai pasirodo ant pirštų, rankų ar riešų. Rizika padidėja esant žemai temperatūrai.
- Jei tam tikroje situacijoje nežinosis kaip pasielgti, teiraukitės specialisto. Kreipkitės į pardavėją ar aptarnavimo dirbtuves. Nedirbkite darbo, kurio nemokate ar jaučiatės nepakankamai kvalifikuotas.
- Atminkite, kad už nelaimingus atsitikimus arba pavojus, kurie gali kilti kitiems žmonėms arba jų turtui, atsako operatorius.
- Niekam kitam niekada neleiskite naudotis gaminiu prieš tai neišitikinę, ar jie suprato naudojimosi instrukcijų turinį.
- Niekada neleiskite vaikams naudoti gaminio ar būti arti jo. Gaminys turi spyruoklinį įjungimo / išjungimo jungiklį ir jį galima užvesti vos patraukus starterio rankenėlę, todėl net maži vaikai prie tam tikrų aplinkybių gali savo jėgomis užvesti gaminį. Tai reiškia, jog iškyla pavojus sunkiai susižeisti. Todėl nuimkite žvakės antgalį, kai gaminys lieka be priežiūros.
- Gaminį laikykite ten, kur jo negali pasiekti vaikai.
- Niekada nenaudokite gaminio, jei esate pavargę, jei vartojote alkoholį ar vaistus, kurie gali turėti įtakos jūsų regėjimui, nuovokai ar koordinacijai.
- Niekada nenaudokite techniškai netvarkingo gaminio. Įrenginį reguliariai tikrinkite ir techniškai prižiūrėkite, kaip nurodyta šioje naudojimo instrukcijoje. Kai kuriuos techninės priežiūros darbus gali atlikti tik apmokyti ir kvalifikuoti specialistai. Žr. skyriuje Priežiūra pateiktas instrukcijas.
- Niekada nenaudokite gaminio, kurio konstrukcija yra modifikuota, lyginant su gamyklos standartu.

## Naudojimo saugos instrukcijos



**PERSPĖJIMAS:** Prieš naudodami gaminį, perskaitykite toliau esančius įspėjimus.

- Niekada nenaudokite gaminio ekstremaliomis klimatinėmis sąlygomis, pvz., esant dideliam šalčiui ar labai karštam ir/arba drėgnam klimatui.
- Pažeisti peiliai gali padidinti nelaimingų atsitikimų riziką.
- Žiūrėkite, kad dirbant niekas neprieitų arčiau kaip per 15 m / 50 pėd.
- Prieš užvesdami pjovimo įrangą, visada apsidairykite ir įsitikinkite, ar ji nesužeis kitų netoliese esančių žmonių ar gyvūnų.

- Patikrinkite darbo vietą. Pašalinkite daiktus, kurie gali pakilti nuo žemės.
- Visada įsitikinkite, kad jūsų darbo padėtis yra saugi ir stabilu.
- Niekuomet nepalikite gaminio be priežiūros, kai veikia variklis.
- Įsitikinkite, ar veikiant varikliui, rankos ir kojos nelielia pjovimo agregato.
- Jei kas nors darbo metu įstrigtų peiliuose, būtina išjungti variklį, sustoti ir prieš nuvalant peilius, kabelį atjungti nuo uždegimo žvakės. Nuo uždegimo žvakės atjunkite kabelį. Žr. *Norėdami patikrinti peilius psl. 207.*
- Išjungus variklį, rankomis ir kojomis nelieskite pjovimo agregato, kol jis pilnai nesustos.
- Saugokitės šakų nuolaužų, kurios gali būti išmetamos į orą pjovimo metu.
- Jeigu dėvite apsaugines ausines, būkite atidūs, kad išgirstumėte galimus įspėjamuosius signalus ar šūksnius. Išjungus variklį, visada nusiimkite apsaugines ausines.
- Niekada nedirbkite stovėdami ant kopėčių, suoliuko ar kito netvirtai pakelto pagrindo.
- Gaminį visada laikykite dviem rankom. Gaminį visada laikykite priešais kūną.
- Jei gaminį paliečia pašalinį objektą arba susidaro vibracijos, sustabdykite įrenginį. Nuo uždegimo žvakės atjunkite kabelį. Patikrinkite, ar gaminys nepažeistas. Suremontuokite pažeidimus.
- Patikrinkite, ar nepažeistas uždegimo žvakės dangtelis ir uždegimo laidas, kad išvengtumėte elektros smūgio.
- Patikrinkite, ar visos veržlės ir varžtai yra priveržti.
- Įsitikinkite, kad pavaros korpusas pakankamai suteptas. Žr. *Pavaros korpuso tepimas psl. 206.*
- Naudojant gaminį įkaista pavaros korpusas. Nelieskite pavaros norėdami išvengti nudegimo žaizdų.
- Prieš užvedant įrenginį visi gaubtai ir apsaugos privalo būti pritvirtinti.
- Apsauginis dėklas visada turi būti ant pjovimo agregato, jei gaminys nenaudojamas.

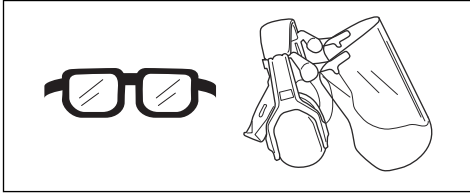
## Asmeninės apsauginės priemonės



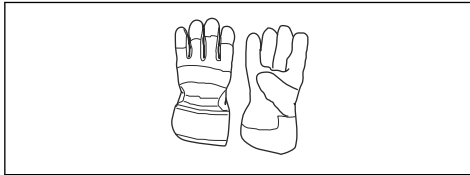
**PERSPĖJIMAS:** Prieš naudodami gaminį, perskaitykite toliau esančius įspėjimus.

- Naudodami įrenginį būtina dėvėkite patvirtintas asmenines apsaugines priemones. Asmeninės apsauginės priemonės nepadės visiškai išvengti pavojaus susižeisti, tačiau nelaimingo atsitikimo atveju mažiau nukentės. Leiskite prekybos atstovui padėti pasirinkti tinkamą įrangą.
- Naudokite pakankamomis garso slopinimo savybėmis pasižyminčias patvirtintas apsaugines ausines. Ilgalais triukšmo poveikis gali nesugrąžinamai pakenkti klausai.

- Naudokite patvirtintas akių apsaugos priemones. Jei naudojamas apsauginis skydelis, turi būti nešiojami ir patvirtinti apsauginiai akiniai. Patvirtinti apsauginiai akiniai yra tie, kurie atitinka JAV ANSI Z87.1 standartą arba ES EN 166 standartą.



- Kai būtina, pvz., montuojant, apžiūrint arba valant pjovimo įrangą, užsimaukite pirštines.



- Naudokite tvirtus, neslystančius aulinius batus ar pusbačius.



- Vilkėkite iš stiprios medžiagos pagamintus drabužius. Būtinai mėvėkite tvirtas, ilgas kelnes, vilkėkite aprangą ilgomis rankovėmis. Nevilkėkite laisvų drabužių, kurie gali užkibti už krūmokšnių ir šakų. Nenešiokite papuošalų, trumpų kelnių ar atvirų batų ir nevaikščiokite basomis. Saugiai susisiekite plaukus aukščiau pečių.
- Netoliese turi būti pirmosios pagalbos vaistinė.



## Gaminio apsauginės priemonės



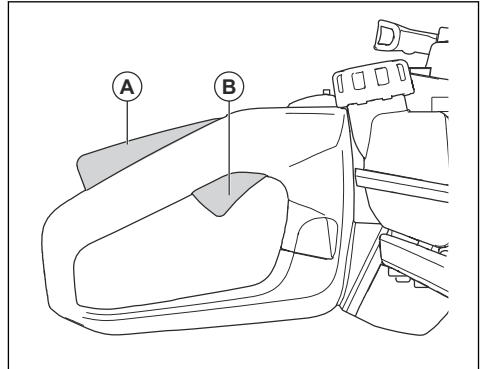
**PERSPĖJIMAS:** Prieš naudodami gaminį, perskaitykite toliau esančius įspėjimus.

- Nesinaudokite gaminiu, jei jo apsauginės priemonės yra netvarkingos.

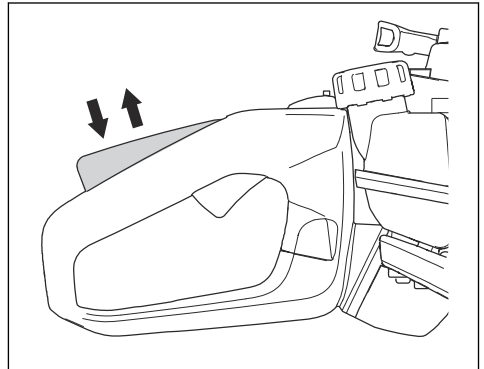
- Reguliariai tikrinkite apsaugines priemones. Jei apsauginės priemonės yra pažeistos, pasitarkite su Husqvarna techninės priežiūros atstovu.

## Akceleratoriaus gaiduko fiksatoriaus patikra

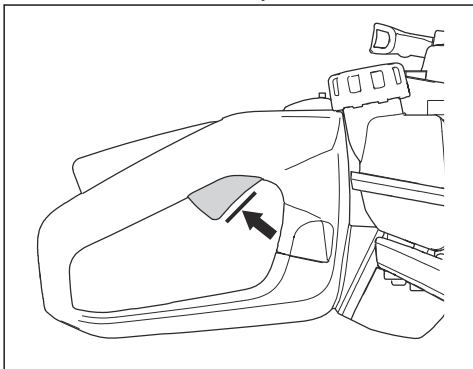
1. Patikrinkite, ar akceleratoriaus gaiduko fiksatorius (A) ir akceleratoriaus gaidukas (B) laisvai junginėjasi ir ar gerai veikia jų spyruoklių sistema.



2. Paspauskite akceleratoriaus gaiduko fiksatorių ir įsitikinkite, kad atleisus jis grįžta į savo pradinę padėtį.



- Patikrinkite, ar veikiant laisvą eiga akceleratoriaus gaidukas yra fiksuotas tuščiosios eigos padėtyje, kai akceleratoriaus blokatorius yra atleistas.



- Paleiskite gaminį ir stipriai spustelkite akceleratorių.
- Atleiskite akceleratoriaus gaiduką ir įsitinkinkite, kad peiliai sustoja ir nejuda.



**PERSPĖJIMAS:** Jei peiliai juda akceleratoriaus rankenėlei esant laisvoje eigoje, būtina reguliuoti karbiuratoriaus laisvą eiga. Žr. *Greičio tuščiaja eiga reguliavimas psl. 205.*

#### Stabdymo jungiklio patikra

- Paleiskite variklį.
- Pastumkite stabdymo jungiklį į stabdymo padėtį ir patikrinkite, ar variklis išjungiamas.



**PERSPĖJIMAS:** Paleidimo / stabdymo jungiklis automatiškai grįžta į paleidimo padėtį. Norėdami išvengti netyčinio paleidimo, išimkite uždegimo žvakės antgalį iš uždegimo žvakės sumontuodami produktą arba atliekate jo priežiūrą.

#### Rankos apsaugos patikra

Rankos apsauga saugo nuo peilių sužeidimų.

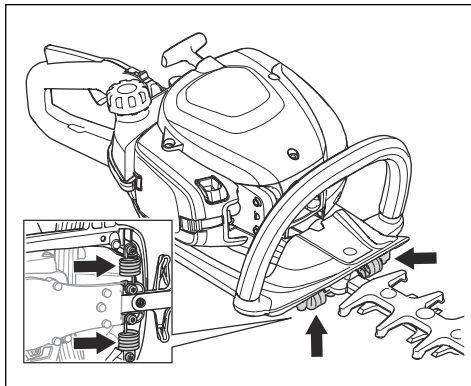
- Išjunkite variklį.
- Įsitinkinkite, kad rankos apsauginis elementas yra tinkamai pritvirtintas.
- Patikrinkite, ar nepažeista rankos apsauga.

#### Vibracijos slopinimo sistemos patikra

Vibracijos slopinimo sistema susilpnina rankenų vibraciją. Vibracijos slopinimo įrenginiai veikia kaip atskyrimas tarp produkto korpuso ir rankenos įrenginio.

- Apžiūrėkite, ar duslintuvus nedeformuotas ir nesugadintas.

- Patikrinkite, ar tinkamai prijungti vibracijos slopinimo elementai.



#### Duslintuvo patikra



**PERSPĖJIMAS:** Niekada nenaudokite produkto be duslintuvo arba su netvarkingu duslintuvu. Esant pažeistam duslintuvui gali padidėti triukšmo lygis ir kyla gaisro pavojus. Nenaudokite produkto be kibirkščių gesinimo tinklelio arba su sugadintu tinkleliu. Pažeistą kibirkščių gesinimo tinklelį reikia pakeisti.



**PERSPĖJIMAS:** Dirbant ir baigus darbą, taip pat įrenginiui veikiant tuščiaja eiga, duslintuvai gali labai įkaisti.



**PASTABA:** Jei kibirkščių gesinimo tinklelis dažnai užsikemša, tai gali reikšti, kad blogai veikia katalizatorius. Dėl duslintuvo patikrinimo kreipkitės į techninės priežiūros atstovą. Dėl užsikimšusio kibirkščių gesinimo tinklelio įrenginys gali perkaisti ir pažeisti cilindrą bei stūmoklį.



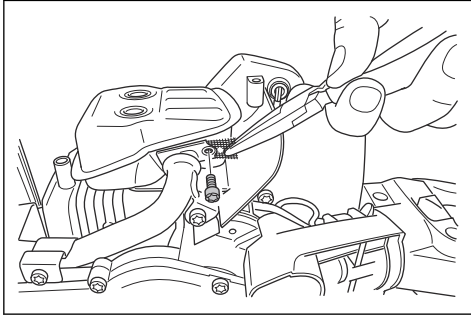
**PERSPĖJIMAS:** Ant duslintuvo vidinių paviršių yra chemikalų, galinčių sukelti vėžį. Jeigu duslintuvus sugadintas, saugokitės, kad nepaliestumėte šių elementų.

Duslintuvus iki minimumo sumažina triukšmo lygį ir nukreipia nuo naudotojo variklio išmetamąsias dujas. Duslintuvus su katalizatoriumi sumažina kenksmingų medžiagų kiekį išmetamose dujose.

- Išjunkite variklį.
- Apžiūrėkite, ar duslintuvus nesugadintas ir nedeformuotas.



3. Pasirūpinkite, kad duslintuvas būtų tinkamai pritvirtintas prie įrenginio.
4. Nuvalykite kibirkščių gesinimo tinklėlį vieliniu šepetėliu.



### Peilių ir peilių apsaugos patikra

Išorinė peilių briaunos atlieka ir peilio apsaugos funkciją. Peilio apsauga saugo nuo įsijovimo.

1. Išjunkite variklį ir įsitikinkite, kad peiliai sustojo.
2. Nuimkite uždegimo žvakės antgalį nuo uždegimo žvakės.
3. Užsidėkite apsaugines pirštines.
4. Patikrinkite, ar peilių ašmenys ir peilių apsauga nėra pažeista ar sulenкта. Visada pakeiskite pažeistą arba sulenktą peilį arba pažeistą peilio apsaugą.
5. Įsitikinkite, kad peiliai ir peilių pasauga tvirtai priveržta varžtu.

### Degalų naudojimo sauga



**PERSPĖJIMAS:** Prieš naudodami gaminį, perskaitykite toliau esančius įspėjimus.

- Neužveskite gaminio, jei ant gaminio yra kuro arba variklio alyvos. Nuvalykite nepageidaujama kurą / alyvą ir palaukite, kol gaminys išdžius.
- Apsipykę drabužius kuru nedelsiant persienkite.
- Neapsipilkite kūno kuru, nes jis gali sužaloti. Apsipykę kūną kuru, jį nusiplaukite muilu ir vandeni.
- Neužveskite gaminio, jei iš variklio sunkiasi skysčiai. Reguliariai tikrinkite, ar iš variklio nesisunkia skysčiai.
- Atsargiai elkitės su kuru. Kuras yra degus, o jo garai – sprogūs, todėl neatsargiai elgiantis galima susižaloti arba žūti.
- Neįkvėpkite kuro garų, nes jie gali sužaloti. Pasirūpinkite tinkamu vėdinimu.

- Nerūkykite greta kuro arba variklio.
- Nedėkite šiltų objektų greta kuro arba variklio.
- Nepilkite kuro, kai variklis užvestas.
- Prieš pildami kurą įsitikinkite, ar variklis ataušęs.
- Prieš pildami kurą lėtai atidarykite kuro bakelio dangtelį ir atsargiai išleiskite slėgį.
- Nepilkite į variklį kuro būdami patalpoje. Dėl oro stygiaus galima susižaloti arba žūti uždusęs arba apsinuodijus anglies monoksidu.
- Stipriai užsukite kuro bakelio dangtelį. Nepakankamai stipriai užsukus kuro bakelį kyla gaisro pavojus.
- Prieš pradėdami darbą patrukite gaminį mažiausiai 3 m / 10 pėdų nuo vietos, kurioje pylėte kurą.
- Nepripilkite sklidino kuro bakelio. Šildamas kuras plečiasi. Palikite vietos kuro bakelio viršuje.

### Priežiūros saugos instrukcijos



**PERSPĖJIMAS:** Prieš naudodami gaminį, perskaitykite toliau esančius įspėjimus.

- Išjunkite variklį ir įsitikinkite, kad įrenginio įranga nebesisuka. Prieš atlikdami priežiūros darbus leiskite gaminiiui atvėsti.
- Prieš atlikdami priežiūros darbus atjunkite žvakės antgalį.
- Variklio išmetamosiose dujose yra anglies monoksido – nuodingų, bekvapių ir labai pavojingų dujų, nuo kurių poveikio galima mirti. Nenaudokite įrenginio patalpose ar uždaroje erdvėse.
- Variklio išmetamosios dujos yra karštos, jose gali būti kibirkščių. Nenaudokite įrenginio patalpoje arba greta degių medžiagų.
- Gamintojo nepatvirtinti priedai ir gaminio pakeitimai gali rimtai ar net mirtinai sužeisti. Nekeiskite gaminio. Būtinai naudokite originalias atsargines dalis.
- Jeigu priežiūra atliekama netinkamai ir nereguliariai, padidėja pavojus susižeisti ir sugadinti įrenginį.
- Atlikite tik naudojimo instrukcijoje nurodytus priežiūros darbus. Visus kitus techninės priežiūros darbus patikėkite atlikti patvirtintam „Husqvarna“ techninės priežiūros atstovui.
- Patvirtintas „Husqvarna“ techninės priežiūros atstovas turi reguliariai atlikti gaminio techninę priežiūrą.
- Pakeiskite pažeistas, sulūžusias arba susidėvėjusias dalis.

# Naudojimas

## Įvadas



**PERSPĖJIMAS:** Prieš naudodami gaminių perskaitykite ir supraskite skyrių apie saugą.

## Degalai

Įrenginys turi dvitaktį variklį.



**PASTABA:** Naudojant netinkamo tipo degalus gali būti sugadintas variklis. Naudokite benzino ir dvitaktčių variklių alyvos mišinį.

## Iš anksto sumaišyti degalai

- Naudokite Husqvarna iš anksto sumaišytus alkilintus degalus, siekdami geriausių rezultatų ir prailginti variklio tarnavimo laiką. Šiuose degaluose palyginti su įprastiniais degalais yra mažiau kenksmingų chemikalų, todėl sumažėja kenksmingų išmetamųjų dujų kiekis. Likučių po degimo kiekis yra mažesnis, naudojant šiuos degalus, todėl variklio komponentai išlieka švaresni.

## Degalų maišymas

### Benzinas

- Naudokite kokybišką bešvinį benzina, kurio etanolio koncentracija yra iki 10 %.



**PASTABA:** Nenaudokite benzino, kurio oktaninis skaičius yra mažesnis nei 90 RON/87 AKI. Naudojant žemesnio oktaninio skaičiaus degalus gali nesklaidžiai veikti variklis, tai pažeis variklį.

### Alyva dvitaktčiams varikliams

- Siekdami geriausių rezultatų ir našumo, naudokite Husqvarna dvitaktčių variklių alyvą.
- Jei negalite gauti Husqvarna dvitaktčio variklio alyvos, naudokite geros kokybės dvitaktčių variklių alyvą, skirtą oru aušinamiems varikliams. Norėdami išsirinkti tinkamą alyvą, kreipkitės į techninio aptarnavimo atstovą.



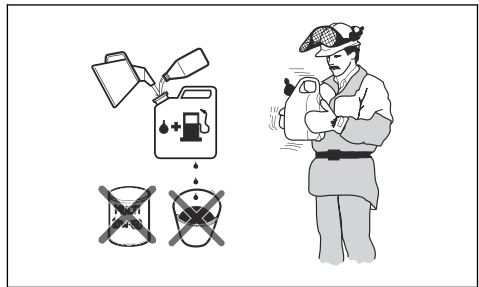
**PASTABA:** Niekada nenaudokite dvitaktės alyvos, skirtos vandeniu aušinamiems valčių varikliams, dar vadinamos valčių variklių alyva. Nenaudokite alyvos, skirtos keturtaktčiams varikliams.

## Degalų ir dvitaktčių variklių alyvos maišymas

Benzinas, litrais	Dvitaktčio variklio alyva, litrais
	<b>2 % (50:1)</b>
5	0,10
10	0,20
15	0,30
20	0,40



**PASTABA:** Maišant nedidelius degalų kiekius, nedidelė paklaida gali stipriai pakeisti mišinio santykį. Kruopščiai pamatuokite alyvos kiekį, kad gautumėte tinkamą mišinį.



- Pripildykite pusę kiekio degalų švarioje talpykloje degalams.
- Supilkite visą alyvos kiekį.
- Suplakite degalų mišinį.
- Tada supilkite likusią benzino dalį į talpyklą.
- Kruopščiai suplakite degalų mišinį.



**PASTABA:** Nesumaišykite degalų ilgesniam nei 1 mėnesio laikotarpiui.

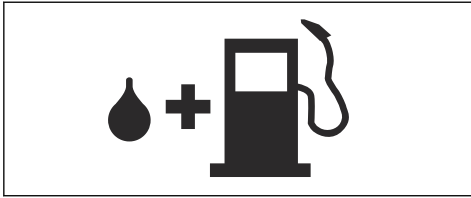
## Kuro bakelio užpildymas



**PERSPĖJIMAS:** Laikykitės procedūrų, kurios skirtos užtikrinti jūsų saugą.

- Išjunkite variklį ir palaukite, kol jis atvės.

2. Nuvalykite sritį aplink kuro bakelio dangtelį.



3. Papurtykite talpyklą, kad degalai gerai susimaišytų.
4. Lėtai nuimkite kuro bakelio dangtelį, kad išleistumėte slėgį.
5. Užpildykite degalų bakelį.



**PASTABA:** Degalų bakelio neperpildykite. Degalams įkaitus šie plečiasi.

6. Stipriai užsukite degalų bakelio dangtelį.
7. Išvalykite išsiliejusius degalus art gaminio ir aplink jį.
8. Prieš paleisdami gaminį visada patraukite jį 3 metrus / 10 pėdų nuo degalų pildymo vietos ir degalų talpyklos.

**Pasižymėkite:** Norėdami sužinoti, kur yra kuro bakelis jūsų gaminyje, žr. *Gaminio apžvalga psl. 196*.

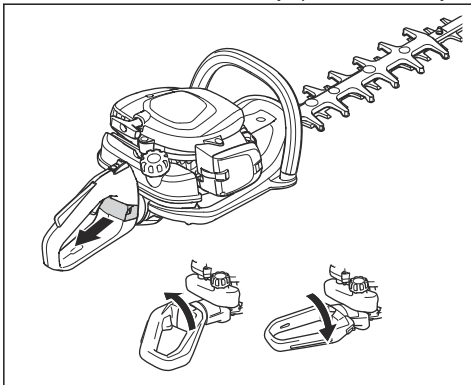
## Peilio galiuko apsaugos montavimas

1. Atsukite peilio galiuko veržlę ir varžtą.
2. Pritvirtinkite peilio galiuko apsaugą prie peilio galiuko.
3. Prisukite varžtą ir priveržkite 7 Nm jėga.
4. Prisukite veržlę ir priveržkite 5 Nm jėga.

## Rankenos reguliavimas

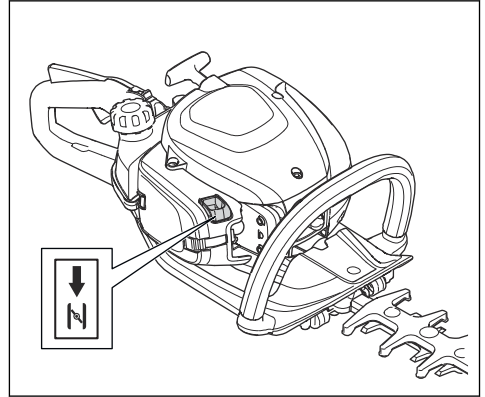
Galinės rankenos aukštį galima nustatyti į 3 skirtingas padėtis.

- Atlaisvinkite rankenos užraktą ir pasukite rankeną.



## Norėdami paleisti šaltą variklį

1. Oro sklendės rankenėlę perjunkite į uždarytos oro sklendės padėtį.



2. Paspauskite oro išleidimo pūslelę apie 6 kartus arba kol pūslelė bus užpildyta kuru. Nebūtina visiškai pripildyti oro išleidimo pūslelės.
3. Laikykite gaminio korpusą ant žemės kairiąją ranka. Gaminio nepriminkite koja.
4. Lėtai dešiniąją ranka traukite starterio virvės rankenėlę, kol pajusite nedidelį pasipriešinimą, tada trūktelėkite starterio virvės rankenėlę.



**PERSPĖJIMAS:** Nevyniokite starterio virvės sau ant rankos.



**PASTABA:** Netraukite starterio virvės iki galo ir nepaleiskite jos rankenėlės.

5. Traukykite starterio virvės rankeną, kol variklis užsives, tada nuspauskite oro sklendės rankenėlę į pradinę padėtį.



**PERSPĖJIMAS:** Užvedus variklį juda peiliai.

6. Toliau traukiate starterio virvės rankeną, kol variklis užsives.
7. Nuspauskite ir atleiskite akceleratoriaus gaiduką, kad variklis veiktų tuščiąja eiga.
8. Norėdami padidinti variklio apsukas palaipsniui spauskite akceleratoriaus rankenėlę.
9. Įsitinkinkite, kad variklis veikia sklandžiai.

## Norėdami paleisti šiltą variklį

1. Laikykite gaminio korpusą ant žemės kairiąją ranka. Gaminio nepriminkite koja

- Lėtai dešiniąja ranka traukite starterio virvės rankenėlę, kol pajusite nedidelį pasipriešinimą, tada trūktelėkite starterio virvės rankenėlę. Kartokite, kol variklis užsives.



**PERSPĖJIMAS:** Saugokitės, kad pjovimo įrangos priekinė dalis nepaliestų žemės.

- Reguliuokite greitį atsižvelgdami į darbinę apkrovą.
- Gaminį laikykite netoli kūno, kad stabiliau jį valdytumėte.
- Būkite atsargūs ir naudokite gaminį neskubėdami.

**Pasižymėkite:** Jei reikia daugiau informacijos, kaip užvesti gaminį, žr. *Norėdami paleisti šaltą variklį psl. 203*

## Gaminio sustabdymas

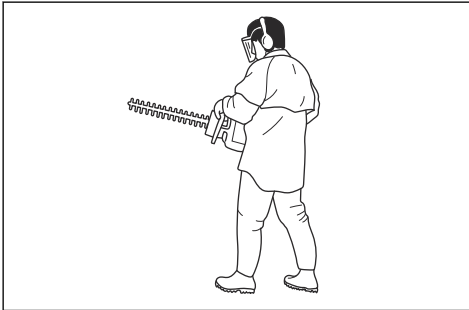
- Pastumkite stabdymo jungiklį į stabdymo padėtį, kad sustabdytumėte variklį.



**PASTABA:** Stabdymo jungiklis automatiškai grįžta į pradinę padėtį.

## Gaminio naudojimas

- Kirpdami gyvatvorės šonus pradėkite nuo apačios ir kelkite gaminį į viršų. Saugokitės, kad gaminio korpusas nepaliestų gyvatvorės.



## Techninė priežiūra

### Įvadas



**PERSPĖJIMAS:** Prieš prižiūrėdami produktą, perskaitykite ir supraskite saugos skyrių.

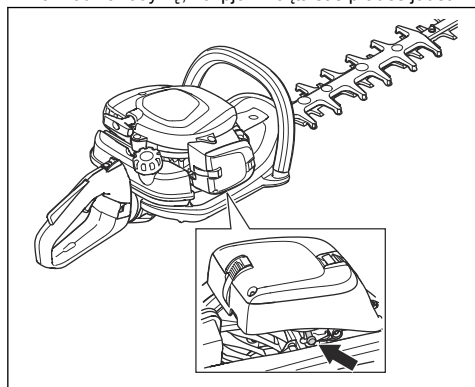
### Priežiūros grafikas

Techninės priežiūros darbas	Prieš naudojimą	Po 40 val.	Po 100 val.
Nuvalykite išorinį paviršių.	Kiekvieną kartą baigus darbą.		
Išvalykite duslintuvą, išmetimo vamzdį ir variklį nuo lapų, purvo ir tepalo pertekliaus.	Kiekvieną kartą baigus darbą.		
Įsitikinkite, kad varikliui veikiant tuščiajame eiga pjovimo įtaisas nejuda.	X		
Patikrinkite stabdymo jungiklį.	X		

Techninės priežiūros darbas	Prieš naudojimą	Po 40 val.	Po 100 val.
Patikrinkite, ar nesugadintas ir neįskilęs pjovimo priedas ir pjovimo priedo apsauga. Jei pažeista, pakeiskite.	X		
Apžiūrėkite, ar nesugadinta ir neįtrūkusi rankos apsauga. Jei pažeista, pakeiskite.	X		
Patikrinkite akceleratoriaus gaiduko fiksatorių ir akceleratoriaus gaiduką.	X		
Patikrinkite variklį, degalų bakelį ir degalų žarneles, ar nėra nuotėkio.	X		
Priveržkite veržles ir varžtus.	X		
Patikrinkite, ar neužterštas degalų filtras, neįtrūkusi ir kitaip nesugadinta degalų žarnelė. Jei reikia, pakeiskite.	X		
Patikrinkite, ar nesugadintas starteris ir starterio virvė.		X	
Išvalykite oro filtrą. Jei reikia, pakeiskite.		X	
Apžiūrėkite, ar nesugadinti ir neįtrūkę vibracijos slopinimo elementai.		X	
Patikrinkite uždegimo žvakę, žr. <i>Uždegimo žvakės tikrinimas psl. 206</i>		X	
Išvalykite aušinimo sistemą.		X	
Išvalykite karbiuratoriaus išorinį paviršių ir plotą aplink jį.		X	
Nuvalykite arba pakeiskite kibirkščių gesinimo tinklėlį.			X
Išvalykite kuro baką vidinį paviršių.			X
Patikrinkite uždegimo žvakę.			X
Pasirūpinkite, kad pavaros korpusas būtų pripildytas tepalo.			X

## Greičio tuščiaja eiga reguliavimas

1. Išvalykite oro filtrą ir pritvirtinkite oro filtro dangtelį.
2. Paleiskite gaminį, kaip nurodyta *Norėdami paleisti šaltą variklį psl. 203*.
3. Pirmiausia laisvos eigos varžtą T pasukite pagal laikrodžio rodyklę, kol pjovimo įtaisas pradės judėti.



4. Laisvosios eigos varžtą sukite prieš laikrodžio rodyklę, kol pjovimo įtaisas sustos.



**PERSPĖJIMAS:** Jeigu pjovimo įtaisas nesustoja, kai sureguliuojate greitį tuščiaja eiga, kreipkitės į artimiausią techninės priežiūros atstovą. Nenaudokite įrenginio, kol jis nėra tinkamai sureguliuotas arba sutaisytas.

**Pasižymėkite:** Greitis tuščiaja eiga yra tinkamas, kai variklis tolygiai veikia visose padėtyse. Rekomenduojamo greičio tuščiaja eiga ieškokite *Techniniai duomenys psl. 207*.

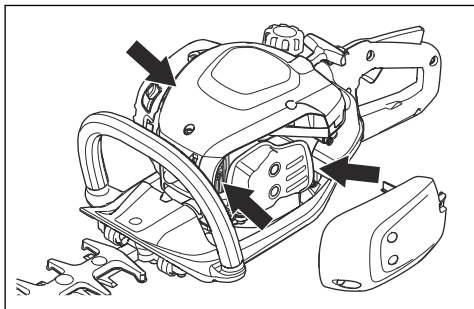
## Aušinimo sistemos valymas

Aušinimo sistema užtikrina žemą variklio temperatūrą. Aušinimo sistemą sudaro aušinimo briaunos ant cilindro ir starterio korpusas.



**PASTABA:** Oro įsiurbimą tarp kuro bakelio ir karterio gali lengvai užkimšti lapai. Visiškai išvalykite oro įsiurbimą.

1. Kartą per savaitę ar dažniau, jei būtina, šepetėliu išvalykite aušinimo sistemą.
2. Patikrinkite, ar aušinimo sistema neužteršta ir neužsikūšusi.

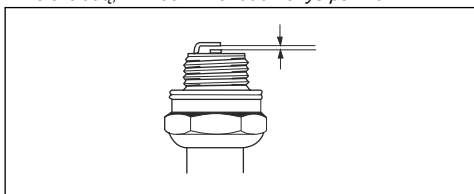


## Uždegimo žvakės tikrinimas



**PASTABA:** Visada naudokite rekomenduojamo tipo žvakes. Netinkamo tipo uždegimo žvakė gali pažeisti gaminį.

- Patikrinkite uždegimo žvakę, jei variklio galingumas mažas, jį sunku paleisti arba jis netinkamai veikia tuščiaja eiga.
- Norėdami sumažinti pašalinių medžiagų atsiradimą ant uždegimo žvakės elektrodo, laikykitės šių instrukcijų:
  - a) Įsitinkinkite, kad tinkamai sureguliuotas greitis tuščiaja eiga.
  - b) Įsitinkinkite, kad naudojate tinkamą kuro mišinį.
  - c) Patikrinkite, ar oro filtras yra švarus.
- Jeigu uždegimo žvakė purvina, nuvalykite ją ir patikrinkite, ar nustatytas tinkamas tarpas tarp elektrodų, žr. *Techniniai duomenys psl. 207*.



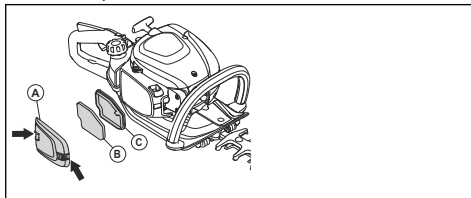
- Esant reikalui pakeiskite uždegimo žvakę.

## Oro filtro valymas

Reguliariai išvalykite purvą ir dulkes iš oro filtro. Tai apsaugo karbiuratorių nuo gedimų, paleidimo problemų, variklio galios sumažėjimo, variklio dalių dėvėjimosi ir didesnių nei įprasta kuro sąnaudų.

1. Nuimkite oro filtro gaubtą (A).

2. Nuimkite porolono filtrą (B) ir veltinį oro filtrą (C) nuo filtro korpuso.



3. Pakeiskite veltinio filtrą (C).
4. Išplaukite porolono filtrą (B) šiltame muiluotame vandenyje.

**Pasižymėkite:** Ilgai naudoto oro filtro negalima iki galo išvalyti. Reguliariai keiskite oro filtrą ir visuomet pakeiskite sugadintą oro filtrą.

5. Įsitinkinkite, kad porolono filtras (B) sausas.
6. Oro filtrų alyva sutepkite porolono filtrą (B). Žr. *Norėdami sutepti alyva oro filtrą psl. 206*
7. Oro filtro dangčio (A) vidinio paviršiaus valymas. Valykite suslėgtu oru arba šepetėliu.

## Norėdami sutepti alyva oro filtrą

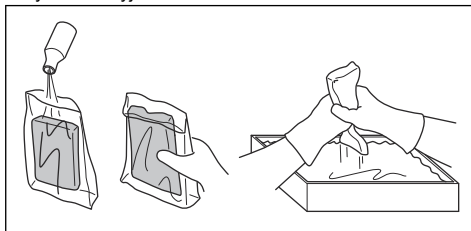


**PASTABA:** Visada naudokite Husqvarna specialią oro filtrų alyvą. Nenaudokite kitų rūšių alyvos.



**PERSPĖJIMAS:** Užsidėkite apsaugines pirštines. Oro filtro alyva gali sudirginti odą.

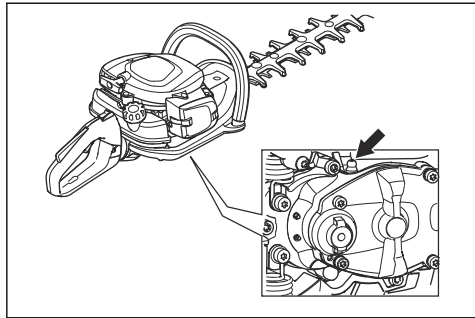
1. Įdėkite oro filtrą į plastikinį maišelį.
2. Įpilkite alyvos į plastikinį maišelį.
3. Trinkite plastikinį maišelį, kad alyva tolygiai pasiskirstytų ant oro filtro.
4. Išspauskite alyvos perteklių iš oro filtro, kol jis dar yra maišelyje.



## Pavaros korpuso tepimas

- Naudokite Husqvarna specialų tepalą. Dėl išsamesnės informacijos apie rekomenduojamus tepalus kreipkitės į techninės priežiūros atstovą.

- Įspauskite alyvos pro tepimo antgalį.



**PASTABA:** Nepripildykite sklidinai pavaros korpuso.

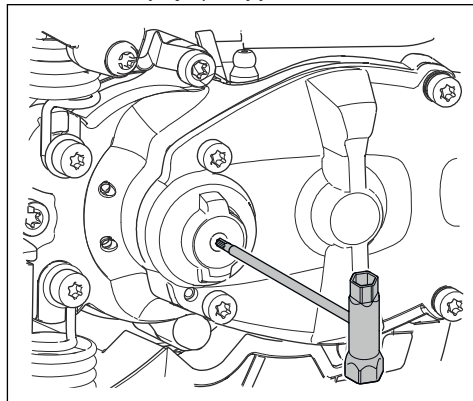
## Peilių valymas ir tepimas

1. Prieš naudodami gaminį ir jį panaudoję nuvalykite pašalines medžiagas nuo peilių.
2. Jeigu ketinate ilgą laiką nenaudoti, sutepkite peilius.

**Pasižymėkite:** Dėl išsamesnės informacijos apie rekomenduojamas valymo medžiagas ir tepalus kreipkitės į techninės priežiūros atstovą.

## Norėdami patikrinti peilius

1. Nuimkite dangtelį nuo pavaros korpuso.
2. Įsitinkinkite, kad peiliai laisvai juda. Įstatykite veržliaraktį į pavaros korpusą ir sukite pagal laikrodžio rodyklę ir prieš ją.



3. Patikrinkite, ar nepažeistos ir nedeformuotos peilių briaunos.
4. Naudodami dildę pašalinkite peilių nelygumus.

## Transportavimas, saugojimas ir utilizavimas

### Gabenimas ir laikymas

- Prieš pastatydami saugoti, visuomet leiskite gaminiui atvėsti.
- Norėdami laikyti ir transportuoti gaminį ir kurą, įsitinkinkite, kad jis neprateka ir neskleidžia išmetamųjų dujų. Žiežirbos arba atvira ugnis, pvz., elektriniai įrenginiai arba džiovintuvai, gali sukelti gaisrą.
- Laikydami ir transportuodami kurą visada naudokite patvirtintus konteinerius.
- Prieš palikdami gaminį saugoti ilgesniam laikui, išpilkite kurą. Kurą išpilkite tinkamoje šalinimo vietoje.

- Gabendami arba laikydami uždėkite gabenimo apsaugą.
- Nuimkite uždegimo žvakės antgalį nuo uždegimo žvakės.
- Gabendami pritvirtinkite įrenginį. Pasirūpinkite, kad jis negalėtų pajudėti.
- Prieš padėdami laikyti ilgesniam laikui, įrenginį išvalykite ir atlikite techninę priežiūrą

## Techniniai duomenys

### Techniniai duomenys

	522HD60X	522HDR60X	522HDR75X
<b>Variklis</b>			
Cilindro darbinis tūris, cm <sup>3</sup>	21,7	21,7	21,7

	<b>522HD60X</b>	<b>522HDR60X</b>	<b>522HDR75X</b>
Greitis tuščiaja eiga, aps./min	3 000	3 000	3 000
Rekomenduojamas maks. apskukos be apkrovos, r/min	9 200	9200	9200
Maks. variklio galia pagal ISO 8893, kW / AG esant aps./min.	0,6 / 0,8 esant 7 800	0,6 / 0,8 esant 7 800	0,6 / 0,8 esant 7 800
Duslintuvai su katalizatoriumi	Taip	Taip	Taip
<b>Uždegimo sistema</b>			
Uždegimo žvakė	NGK CMR6A	NGK CMR6A	NGK CMR6A
Tarpas tarp elektrodų, mm	0,5	0,5	0,5
<b>Degalai</b>			
Degalų bakelio talpa, l/cm <sup>3</sup>	0,45 /450	0,45 /450	0,45 /450
<b>Svoris</b>			
Be degalų, kg	4,9	5,0	5,2
<b>Skleidžiamas triukšmas</b> <sup>40</sup>			
Garso stiprumo lygis, išmatuotas dB (A)	101	101	101
Garso galios lygis, garantuojamas L <sub>WA</sub> dB (A)	102	102	102
<b>Garso lygiai</b> <sup>41</sup>			
Tolygus garso spaudimo naudotojo ausiai lygis, matuojamas pagal EN ISO 10517, dB(A)	93	93	93
<b>Vibracijos lygis</b> <sup>42</sup>			
Ekvivalentiški rankenų vibracijos lygiai (a <sub>hv,eq</sub> ), išmatuoti pagal EN ISO 10517 m/s <sup>2</sup>			
Priekinė / galinė, mm/s <sup>2</sup>	2,7 / 1,2	2,8 / 1,3	2,1/2,2
<b>Peliliai</b>			
Tipas	Dvipusis	Dvipusis	Dvipusis
Pjovimo ilgis, mm	600	600	750
Pjovimo greitis, aps. / min.	4 400	3 200	3 200

<sup>40</sup> Triukšmas, skleidžiamas į aplinką, išmatuotas kaip garso galia (L<sub>WA</sub>) pagal EB direktyvą 2000/14/EB. Pateiktas įrenginio garso stiprumo lygis buvo išmatuotas naudojant didžiausią garsą sukeltantį originalų pjovimo įtaisą. Skirtumas tarp garantuojamojo ir matuojamojo garso stiprumo yra tas, kad pagal Direktyvą 2000/14/EB garantuojamasis garso stiprumas apima ir matavimo rezultatų sklaidą bei nukrypimus tarp skirtingų to pačio modelio įrenginių.

<sup>41</sup> Pateikiamų triukšmo slėgio duomenų būdingoji statistinė sklaida (standartinis nuokrypis) lygi 1 dB (A).

<sup>42</sup> Pateiktuose vibracijos lygio duomenyse yra 1 m/s<sup>2</sup> tipiška statistinė sklaida (standartinis nuokrypis).



# Atitikties deklaracija

## ES atitikties deklaracija

Mes, **Husqvarna AB**, SE-561 82 Huskvarna, Švedija, tel. +46-36-146500, atsakingai patvirtiname, kad gaminys:

<b>Aprašymas</b>	Gyvatvorių žirkklės
<b>Gamintojas</b>	Husqvarna
<b>Tipas / modelis</b>	522HD60X, 522HDR60X, 522HDR75X
<b>Identifikavimas</b>	Serijos numeriai nuo šios datos: 2022 ir vėlesni

visiškai atitinka šias ES direktyvas ir reglamentus:

<b>Reglamentas</b>	<b>Aprašymas</b>
2006/42/EB	„dėl mašinų“
2014/30/ES	„dėl elektromagnetinio suderinamumo“
2000/14/EB	„dėl į aplinką sklaidžiamo triukšmo“
2011/65/ES	„dėl tam tikrų pavojingų medžiagų naudojimo elektros ir elektroninėje įrangoje apribojimo“

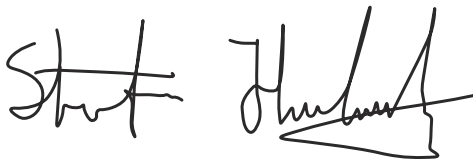
ir kad laikomasi šių standartų ir (arba) techninių specifikacijų: EN ISO 12100:2021, CISPR 12: 2009, EN ISO 10517:2009/A1:2013, EN IEC 63000:2018.

RISE SMP Svensk Maskinprovning AB, atliko savanorišką tipo patikrą Husqvarna AB vardu. Sertifikato numeris: SEC/18/2518.

RISE SMP Svensk Maskinprovning AB, patvirtino susitarimą atitiktį 2000 m. gegužės 8 d. Tarybos direktyvai dėl triukšmo emisijos į aplinką 2000/14/EB. Sertifikatų numeriai: 01/094/026-522HD60X, 01/094/027-522HDR60X, 522HDR75X.

Daugiau informacijos apie triukšmo emisiją žr. *Techniniai duomenys psl. 207.*

Huskvarna, 2022-05-09



Stefan Holmberg, mokslinių tyrimų ir plėtros direktorius, technologijų vadyba, „Husqvarna AB“

atsakingas už techninę dokumentaciją

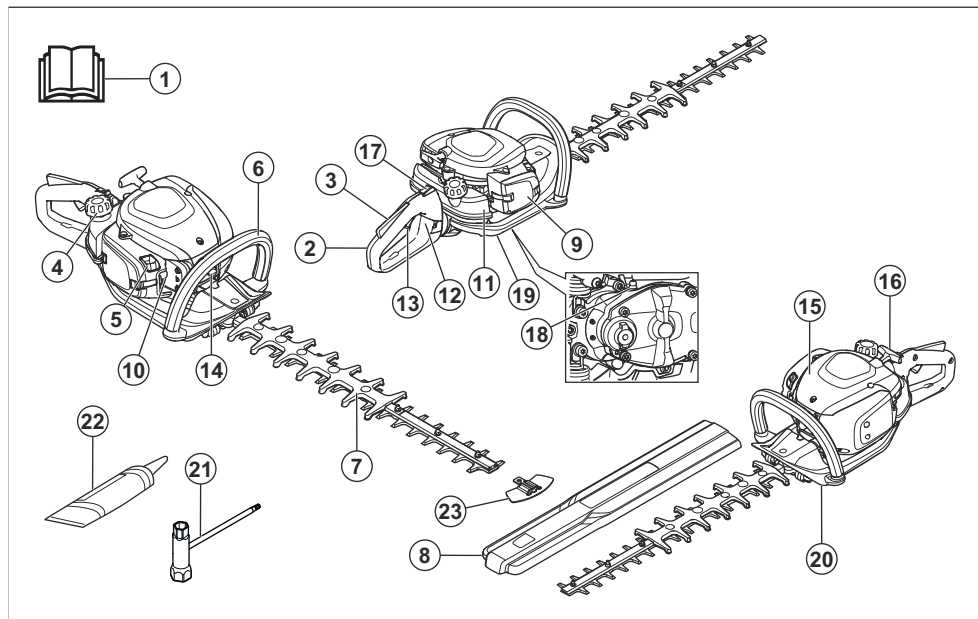


## Saturs

Ievads.....	210	Pārvadāšana, glabāšana un utilizēšana.....	221
Drošība.....	211	Tehniskie dati.....	222
Lietošana.....	216	Atbilstības deklarācija.....	224
Apkope.....	218		

## Ievads

### Izstrādājuma pārskats



1. Lietošanas rokasgrāmata
2. Aizmugurējais rokturis
3. Droseles mēlītes bloķētājs
4. Degvielas tvertnes vāciņš
5. Droseļvārsta vadība
6. Priekšējais rokturis
7. Asmens un asmens aizsargs
8. Transportēšanas aizsargs
9. Gaisa filtra vāks
10. Gaisa izspiešanas pūslītis
11. Degvielas tvertne
12. Roktura bloķētājs
13. Droseles mēlīte
14. Aizdedzes sveces uzmava un aizdedzes svece
15. Cilindra pārsegs
16. Startera auklas rokturis
17. Apturēšanas slēdzis
18. Eļļošanas nipelis
19. Pārnesumkārbas (reduktora) karteris
20. Rokas aizsargs
21. Kombinētā uzgriežņu atslēga
22. Smērvielas tūbiņa
23. Asmens gala aizsargs

### Izstrādājuma apraksts

Izstrādājums ir dzīvzogu griezējs ar iekšdedzes dzinēju.

### Paredzētā lietošana

Izstrādājums paredzēts zaru un zariņu griešanai. Nelietojiet izstrādājumu citiem uzdevumiem.

## Simboli uz izstrādājuma



Apturēt.



Esiet uzmanīgi un lietojiet izstrādājumu pareizi. Šis izstrādājums var izraisīt smagas vai nāvējošas traumas operatoram vai citām personām.



Rūpīgi izlasiet lietotāja rokasgrāmatu un pirms izstrādājuma lietošanas pārliecinieties, vai izprotat instrukcijas.



Izmantojiet apstiprinātus dzirdes un acu aizsarglīdzekļus.



Izmantojiet apstiprinātus aizsargcimdus.



Velciet darba apavus ar neslidošām zolēm.

# T

Tukšgaitas regulēšanas skrūve.

# H

Liela ātruma adata.

# L

Neliela ātruma adata.



Trokšņa izplūde vidē atbilstoši Eiropas Direktīvai 2000/14/EK un Jaundienvēlšanas tiesību aktiem "Darba vidē aizsardzības (trokšņa kontroles) regula (2017)". Trokšņa izplūdes dati ir atrodami uz iekārtas etiķetes un tehnisko datu nodalā.

# CE

Šis produkts atbilst piemērojamo EK direktīvu prasībām.

# UKCA

Šis izstrādājums atbilst spēkā esošajiem AK noteikumiem.

yyyywwxxx

Datu plāksnītē ir norādīts sērijas numurs. **yyyy** ir ražošanas gads un **ww** ir ražošanas nedēļa.

**Piezīme:** Pārējie uz izstrādājuma norādītie simboli/ norādes atbilst dažu valstu sertifikācijas prasībām.

## Euro V emisija



**BRĪDINĀJUMS:** Motora atvēršana anulē šī ķēdes zāģa ES tipa apstiprinājumu.

## Drošība

### Drošības definīcijas

Brīdinājumi, norādes "Uzmanību!" un piezīmes tiek izmantotas, lai izceltu īpaši svarīgas lietotāja rokasgrāmatas daļas.



**BRĪDINĀJUMS:** Tiek izmantota tad, ja rokasgrāmatā sniegto instrukciju neievērošanas dēļ operatoram vai blakus esošajām personām draud traumu vai nāves risks.



**IEVĒROJIET:** Tiek izmantota tad, ja rokasgrāmatā sniegto instrukciju neievērošanas dēļ rodas izstrādājuma, citu

materiālu vai blakus esošās teritorijas bojājuma risks.

**Piezīme:** Tiek izmantota, lai sniegtu plašāku informāciju, kas nepieciešama attiecīgajā situācijā.

### Vispārīgi norādījumi par drošību



**BRĪDINĀJUMS:** Pirms izstrādājuma lietošanas izlasiet tālāk izklāstītās brīdinājuma instrukcijas.

- Izstrādājums var kļūt par bīstamu darba rīku, ja to lieto nepareizi vai pavisā, izraisot nopietnas un pat dzīvībai bīstamas traumas. Tāpēc ir ļoti svarīgi

pirms lietošanas izlasīt un izprast šīs rokasgrāmatas saturu.

- Šīs izstrādājums darbības laikā rada elektromagnētisko lauku. Noteiktos apstākļos šis lauks var traucēt aktīvā vai pasīvā medicīniskā implantāta darbību. Lai samazinātu risku nokļūt apstākļos, kad var tikt gūtas smagas vai letālas traumas, mēs iesakām personām, kurām ir medicīniskie implantāti, pirms šī izstrādājuma lietošanas konsultēties ar savu ārstu un medicīniskā implantāta ražotāju.
- Personām ar asinsrites traucējumiem pārmērīga atrašanās vibrācijas ietekmē var negatīvi ietekmēt asinsriti vai nervu sistēmu. Ja jūtat pārmērīgas vibrāciju ietekmes simptomus, apmeklējiet ārstu. Tie var būt nejutīgums, tirpšana, dūrieni, sāpes, spēka zudums, ādas krāsas vai stāvokļa izmaiņas. Šie simptomi parasti ir novērojami pirkstos, rokās vai locītavās. Risks palielinās zemā temperatūrā.
- Ja nonākat situācijā, kurā jums nav skaidrs, kā rīkoties, lūdziet speciālista padomu. Sazinieties ar izplatītāju vai apkopes darbinīcu. Izvairieties no tādiem lietošanas paņēmieniem, kuri jums nav pa spēkam.
- Nemiet vērā, ka par negadījumiem vai apdraudējumu, kas tiek radīts citiem cilvēkiem vai viņu īpašumam, atbildīgs ir lietotājs.
- Nekad neļaujiet citām personām izmantot izstrādājumu, ja neesat pilnīgi pārliecināts, vai šīs personas ir sapratušas lietotāja rokasgrāmatu.
- Nekad neļaujiet bērniem lietot šo izstrādājumu vai uzturēties tā tuvumā. Tā kā šis izstrādājums ir aprīkots ar apturēšanas slēdzi ar atsperes mehānismu, kas atrodas uz startera roktura, un to var iedarbināt ar neliela ātruma un spēka kustību, arī mazi bērni noteiktos apstākļos var pielikt pietiekamu spēku, lai iedarbinātu izstrādājumu. Tas var radīt smagu traumu. Tāpēc gadījumos, kad izstrādājums netiek pieskaftis, noņemiet aizdedzes sveces uzmavu.
- Glabājiet izstrādājumu bērniem nepieejamā vietā.
- Nekādā gadījumā nelietojiet izstrādājumu, ja esat noguris, lietojis alkoholiskus dzērienus vai lietojat medikamentus, kas var ietekmēt redzi, reakciju, vai koordināciju.
- Nekad nelietojiet bojātu izstrādājumu. Ievērojiet šajā pamācībā norādītās apkopes, pārbaudes un servisa instrukcijas. Dažus apkopes un remonta darbus drīkst veikt tikai apmācīti un kvalificēti speciālisti. Skatiet arī norādījumus sadaļā Apkope.
- Nekādā gadījumā nelietojiet izstrādājumu, kas ir pārveidots tā, ka neatbilst sākotnējai specifikācijai.

- Nekādā gadījumā nelietojiet izstrādājumu ekstremālos laika apstākļos, piemēram, lielā salā vai ļoti karstā un/vai mitrā klimatā.
- Nepareizi naži var palielināt nelaimes gadījumu risku.
- Ievērojiet, lai darba vietā neviens neatrastos jums tuvāk par 15 m/50 pēdām.
- Pārliecinieties, ka tuvumā neatrodas cilvēki vai dzīvnieki, kas var nonākt saskarē ar griešanas aprīkojumu.
- Pārbaudiet darba zonu. Novāciet priekšmetus, kas var tikt izmesti, darba gaitā tiem pieskatoties.
- Vienmēr ieņemiet drošu un stabili darba stāju.
- Nekādā gadījumā neatstājiet produktu bez uzraudzības, ja darbojas motors.
- Raugiet, lai rokas un kāju pēdas nenonāk kontaktā ar griežējmezglu, kad darbojas motors.
- Ja kaut kas ieķeras nažos darba laikā, pirms nažu tīrīšanas pilnīgi jāapstādina motors un sveces kabelis jāatvieno no aizdedzes sveces. No aizdedzes sveces noņemiet sveces kabeli. Skatiet šeit: *Asmeņu pārbaude lpp. 221*.
- Kad motors tiek izslēgts, nepieskarieties griežējmezglam ar rokām vai kāju pēdām, pirms tas ir pilnībā apstājies.
- Uzmanieties no zaru gabaliņiem, kas tiek izmesti griešanas laikā.
- Lietojot dzirdes aizsarglīdzekļus, vienmēr uzmanīgi klausieties, lai sadzirdētu brīdinājumu signālus vai saucienus. Kad dzinējs apstājas, vienmēr noņemiet dzirdes aizsarglīdzekļus.
- Nekad neestrādājiet, stāvot uz tēpēm vai paliktņa vai kāda cita nenostiprināta paaugstinājuma.
- Izstrādājumu vienmēr turiet ar abām rokām. Turiet izstrādājumu sev priekšā.
- Ja produkts saskaras ar svešķermeni vai rodas spēcīgas vibrācijas, nekavējoties izslēdziet produktu. No aizdedzes sveces noņemiet sveces kabeli. Pārbaudiet, vai izstrādājums nav bojāts. Salabojiet iespējamos bojājumus.
- Lai izvairītos no elektriskās strāvas trieciena, pārbaudiet, vai aizdedzes sveces uzmava un aizdedzes vads nav bojāts.
- Pārbaudiet vai visas skrūves un uzgriežņi ir pievilkti.
- Gādājiet, lai pārnēssumkārbas (reduktora) karteris ir labi ieeļļots. Skatiet šeit: *Pārnēssumkārbas (reduktora) kartera ieeļļošana lpp. 221*.
- Izstrādājuma lietošanas laikā pārnēssumkārbas (reduktora) karteris uzkarst. Lai neapdedzinātos nepieskarieties pārnēssumkārbas (reduktora) karterim.
- Pirms iedarbināšanas ir jābūt piemontētiem visiem vākiem un aizsargiem.
- Kad izstrādājums netiek izmantots, uz griežējmezglu vienmēr ir jāuzliek transportēšanas aizsargs.

## Norādījumi par drošu darbu



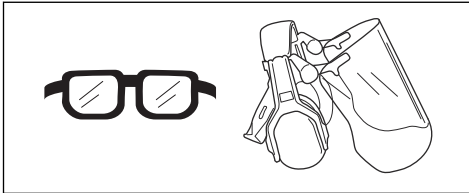
**BRĪDINĀJUMS:** Pirms sākat lietot izstrādājumu, izlasiet tālāk izklāstītās brīdinājuma instrukcijas.

## Individuālie aizsarglīdzekļi

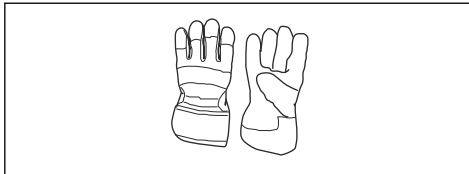


**BRĪDINĀJUMS:** Pirms sākat lietot izstrādājumu, izlasiet tālāk izklāstītās brīdinājuma instrukcijas.

- Izmantojot izstrādājumu, vienmēr lietojiet apstiprinātus individuālos aizsarglīdzekļus. Šādi līdzekļi nevar pilnībā novērst traumu gūšanas risku, taču samazina traumu smaguma pakāpi, ja negadījums tomēr notiek. Ļaujiet izplatītajam palīdzēt jums izvēlēties pareizo aprīkojumu.
- Lietojiet tādus dzirdes aizsarglīdzekļus, kas nodrošina pietiekamu trokšņa slāpēšanu. Ilgstoša uzturēšanās troksnī var radīt būtiskus dzirdes bojājumus.
- Izmantojiet apstiprinātus acu aizsarglīdzekļus. Apstiprinātas aizsargbrilles ir jālieto arī tad, ja tiek izmantots sejsēgs. Apstiprinātas aizsargbrilles ir tādas, kas atbilst ASV standarta ANSI Z87.1 ASV vai standarta EN 166 prasībām ES valstīs.



- Vajadzības gadījumā izmantojiet cimdus, piemēram, piestiprinot, pārbaudot vai tīrot griešanas ierīci.

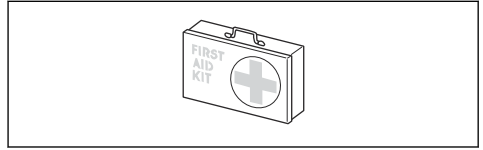


- Lietojiet izturīgus, neslidošus zābakus vai kurpes.



- Lietojiet izturīga auduma apģērbu. Vienmēr valkājiet biezas, garas bikses un apģērbu ar garām piedurknēm. Nevalkājiet vaļīgu apģērbu, kas viegli var ieķērties krūmos un zaros. Nenēsājiet rotaslietas, nevelciet šortus, sandales un nestrādājiet basām kājām. Sakārtojiet matus droši virs pleciem.

- Gādājiet, lai tuvumā būtu pirmās palīdzības piederumi.



## Izstrādājuma drošības ierīces

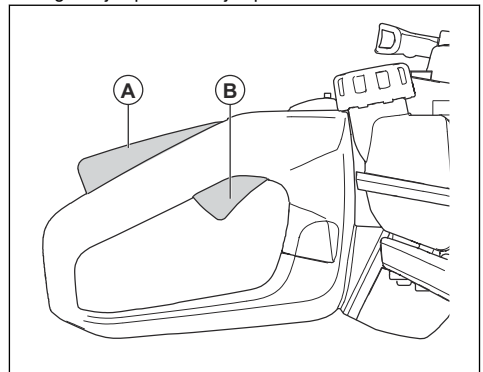


**BRĪDINĀJUMS:** Pirms sākat lietot izstrādājumu, izlasiet tālāk izklāstītās brīdinājuma instrukcijas.

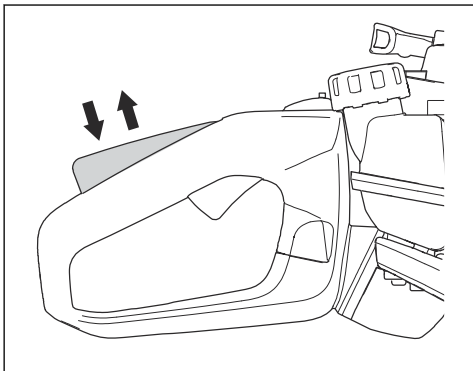
- Nelietojiet izstrādājumu ar bojātām drošības ierīcēm.
- Regulāri pārbaudiet drošības ierīces. Ja drošības ierīces ir bojātas, sazinieties ar savu Husqvarna servisa pārstāvi.

## Droseles mēlītes bloķētāja pārbaude

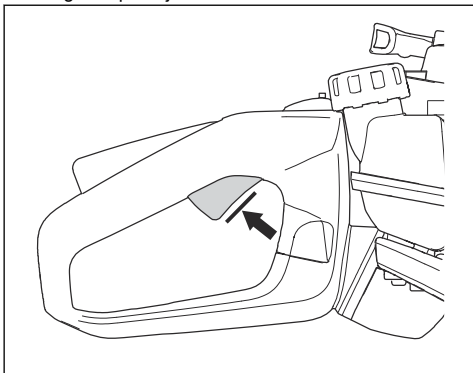
1. Pārbaudiet, vai droseles mēlītes bloķētājs (A) un droseles mēlīte (B) brīvi pārvietojas un atgriezējatspere darbojas pareizi.



2. Nospiediet uz leju droseles mēlītes bloķēšanas mehānismu un pārbaudiet, vai tas ieņem sākotnējo stāvokli, kad to atlaiž.



3. Pārbaudiet, vai, droseles mēlītes bloķēšanas mehānismu atlaižot, droseles mēlīte tiek fiksēta brīvgaitas pozīcijā.



4. Iedarbiniet izstrādājumu ar pilnībā atvērtu droseli.
5. Atlaidiet droseles mēlīti pārbaudiet, vai asmeņi apstājas un paliek nekustīgi.



**BRĪDINĀJUMS:** Ja asmeņi ir kustībā, kad droseles mēlīte ir brīvgaitas pozīcijā, ir jāregulē ir karburatora brīvgaitas apgrīezienu skaits. Skatiet šeit: *Tukšgaitas apgrīezienu skaita regulēšana lpp. 219.*

#### Apturēšanas slēdža pārbaude

1. Iedarbiniet dzinēju.
2. Pabīdiet slēdzi izslēgšanas stāvoklī un pārliecinieties, vai dzinējs ir apstājies.



**BRĪDINĀJUMS:** Apturēšanas slēdzis automātiski atgriežas sākotnējā stāvoklī. Lai nepieļautu nejaušu iedarbināšanu, izņemiet aizdedzes sveces uzgali no aizdedzes

sveces, kad veicat izstrādājuma montāžu vai apkopi.

#### Rokas aizsarga pārbaude

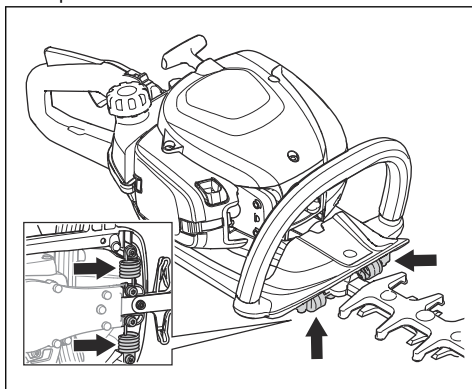
Rokas aizsargs pasargā rokas no traumām, ko var radīt asmeņi.

1. Apturiet dzinēju.
2. Pārliecinieties, ka rokas aizsargs ir pareizi pievienots.
3. Pārbaudiet, vai rokas aizsargs nav bojāts.

#### Vibrāciju slāpēšanas sistēmas pārbaude

Vibrāciju slāpēšanas sistēma samazina rokturu vibrāciju. Vibrāciju slāpēšanas bloki darbojas kā atdalītāji starp ķēdes zāga korpusu un rokturu bloku.

1. Vizuāli pārbaudiet, vai nav deformācijas un bojājumu.
2. Pārbaudiet, vai ir pareizi pievienoti vibrāciju slāpēšanas elementi.



#### Slāpētāja pārbaude



**BRĪDINĀJUMS:** Nelietojiet izstrādājumu bez slāpētāja vai ar bojātu slāpētāju. Bojāts slāpētājs var paaugstināt trokšņa līmeni un aizdegšanās risku. Neizmantojiet izstrādājumu bez dzirksteļu uztvērēja sieta vai ja dzirksteļu uztvērēja siets ir bojāts. Ja dzirksteļu uztvērēja siets ir bojāts, tas jānomaina.



**BRĪDINĀJUMS:** Slāpētāji lietošanas laikā un pēc tās kļūst ļoti karsti — arī brīvgaitā.



**IEVĒROJIET:** Ja dzirksteļu uztvērēja siets bieži aizsērē, iespējams, ir pasliktinājies katalizatora darbība. Lai

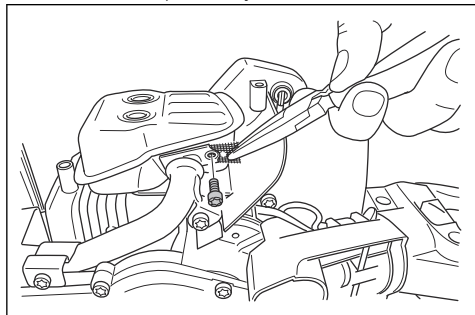
pārbaudītu slāpētāju, sazinieties ar izplatītāju, kas nodrošina apkopi. Aizsērējis dzirksteļu uztvērēja siets izraisīs pārkaršanu, kas, savukārt, radīs cilindru un virzuļa bojājumus.



**BRĪDINĀJUMS:** Slāpētāja iekšējās virsmas satur ķīmiskas vielas, kas var izraisīt vēzi. Esiet piesardzīgs, lai nepieskartos šiem elementiem, ja slāpētājs ir bojāts.

Slāpētājs maksimāli mazina troksni un novirza dzinēja izplūdes gāzes prom no operatora. Slāpētājs ar katalizatoru samazina kaitīgās izplūdes gāzes.

1. Apstādiniet dzinēju.
2. Vizuāli pārbaudiet, vai nav bojājumu un deformācijas.
3. Pārbaudiet, vai trokšņa slāpētājs ir pareizi piespiņināts izstrādājumam.
4. Notīriet dzirksteļu uztvērēja sietu ar metāla suku.



### Asmeņu un asmens aizsarga pārbaude

Asmeņu ārējai daļai ir asmens aizsarga funkcija. Asmens aizsargs novērš traumas, ko rada griešana.

1. Izslēdziet dzinēju un pārliecinieties, vai asmeņi apstājas.
2. Noņemiet aizdedzes sveces uzgali no aizdedzes sveces.
3. Uzvelciet aizsargcimdus.
4. Pārbaudiet, vai asmens un asmens aizsargs nav bojāts vai salocīts. Vienmēr nomainiet bojātu vai saliektu asmeni vai bojātu asmens aizsargu.
5. Pārliecinieties, vai skrūves pie asmeņiem un asmens aizsarga ir cieši piegrieztas.

### Drošības norādījumi, rīkojoties ar degvielu



**BRĪDINĀJUMS:** Pirms sākat lietot šo izstrādājumu, izlasiet tālāk izklāstītās brīdinājuma instrukcijas.

- Nelietojiet izstrādājumu, ja uz tā ir degviela vai dzinēja eļļa. Notīriet nevēlamo degvielu/eļļu un ļaujiet izstrādājumam nožūt.
- Ja degviela ir nokļuvusi uz apģērba, nekavējoties pārģērbieties.
- Neļaujiet degvielai nonākt uz ķermeņa, jo tā var izraisīt savainojumus. Ja degviela ir nonākusi uz ķermeņa, izmantojiet ziepes un ūdeni, lai to nomazgātu.
- Nelietojiet izstrādājumu, ja dzinējā ir sūce. Regulāri pārbaudiet, vai dzinējam nav radusies sūce.
- Rīkojoties ar degvielu, esiet uzmanīgs. Degviela ir viegli uzliesmojoša, tās tvaiki ir sprādzienbīstami, un var izraisīt savainojumus vai nāvi.
- Neieelpojiet degvielas tvaikus, jo tie var izraisīt savainojumus. Pārliecinieties, vai gaisa plūsma ir pietiekama.
- Nesmēķējiet degvielas vai dzinēja tuvumā.
- Nenovietojiet siltus objektus degvielas vai dzinēja tuvumā.
- Nepievienojiet degvielu dzinēja darbības laikā.
- Pirms degvielas uzpildes pārliecinieties, vai dzinējs ir atdzisis.
- Pirms uzpildes lēni atveriet degvielas tvertnes vāciņu un uzmanīgi izlaidiet spiedienu.
- Neveiciet dzinēja degvielas uzpildi telpās. Nepietiekama gaisa plūsma var izraisīt savainojumus vai nāvi, nosmokot vai saindējoties ar oglekļa monoksīdu (tvana gāzi).
- Pilnībā piegrieziet degvielas tvertnes vāciņu. Ja degvielas tvertnes vāciņš nav piegriezts, pastāv aizdegšanās risks.
- Pirms iedarbināšanas pārvietojiet izstrādājumu vismaz 3 m (10 pēdas) no vietas, kur piepildījāt tvertni.
- Nepiepildiet degvielas tvertni pilnībā. Siltuma ietekmē degviela izplešas. Atstājiet degvielas tvertnes augšdaļu tukšu.

### Norādījumi par drošu apkopi



**BRĪDINĀJUMS:** Pirms sākat lietot šo izstrādājumu, izlasiet zemāk izklāstītās brīdinājumus.

- Izslēdziet dzinēju un pārliecinieties, vai griešanas apriņķis ir apstājies. Pirms veicat apkopi, ļaujiet izstrādājumam atdzist.
- Pirms apkopes darbu veikšanas atvienojiet aizdedzes sveces uzgali.
- Dzinēja gāzu izplūdes satur oglekļa monoksīdu, kas ir bezkrāsaina, indīga un ļoti bīstama gāze, kura var izraisīt nāvi. Nedarbiniet izstrādājumu iekštelpās vai slēgtās telpās.
- Dzinēja izplūdes gāzes ir karstas, un tajās var būt dzirksteles. Nedarbiniet izstrādājumu telpās vai ugunsdrošu materiālu tuvumā.

- Piederumi un pārveidojumi izstrādājumā, kuras ražotājs nav apstiprinājis, var izraisīt nopietnas traumas vai nāvi. Nepārveidojiet izstrādājumu. Vienmēr izmantojiet oriģinālos piederumus.
- Ja apkope netiek veikta pareizi un regulāri, palielinās traumu gūšanas risks un bojājumu izstrādājumam risks.

- Veiciet tikai to apkopi, kas ir ieteikta šajā lietotāja rokasgrāmatā. Ļaujiet pilnvarotā Husqvarna servisa pārstāvim veikt visu pārējo apkopi.
- Ļaujiet pilnvarotā Husqvarna servisa pārstāvim regulāri veikt izstrādājuma apkopi.
- Nomainiet bojātās, nodilušās un salūzušās detaļas.

## Lietošana

### Ievads



**BRĪDINĀJUMS:** Pirms produkta lietošanas izlasiet un izprotiet drošības norādījumus.

### Degviela

Šim izstrādājumam ir divtaktu dzinējs.



**IEVĒROJIET:** Nepareiza veida degviela var sabojāt dzinēju. Izmantojiet benzīna un divtaktu dzinēja eļļas maisījumu.

### Iepriekš sajaukta degviela

- Lai uzlabotu veiktspēju un pagarinātu motora darbību, izmantojiet Husqvarna iepriekš sajauktu alkilātu degvielu. Šī degviela satur mazāk ķīmisku vielu, salīdzinot ar parasto degvielu, tādējādi tiek samazināts kaitīgo izplūdes gāzu apjoms. Izmantojot šo degvielu, atliekvielu līmenis pēc sadegšanas ir zemāks, kas saglabā tīrus motora komponentus.

### Degvielas sajaukšana

#### Benzīns

- Izmantojiet labas kvalitātes bezsvina benzīnu ar maksimālo etanola saturu 10%.



**IEVĒROJIET:** Neizmantojiet benzīnu, kura oktānskaitlis ir mazāks nekā 90 RON/87 AKI. Degviela ar zemāku oktānskaitli var radīt motora kludzēšanu, kas savukārt rada motora bojājumus.

#### Divtaktu eļļa

- Lai uzlabotu rezultātus un veiktspēju, izmantojiet Husqvarna divtaktu dzinēja eļļu.
- Ja Husqvarna divtaktu dzinēja eļļa nav pieejama, izmantojiet kvalitatīvu divtaktu dzinēju eļļu, kas paredzēta motoriem ar gaisa dzesēšanu. Lai izvēlētu pareizu eļļu, sazinieties ar vietējo apkopes sniedzēju.



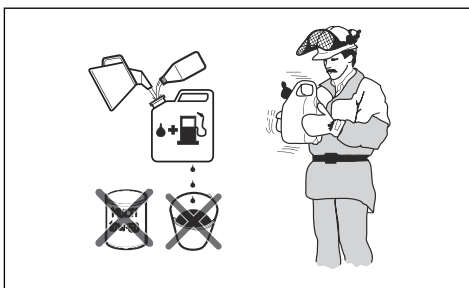
**IEVĒROJIET:** Nelietojiet divtaktu dzinēja eļļu, kas paredzēta ar ūdeni dzesējamiem piekarināmiem dzinējiem; šādu eļļu dēvē arī par piekarināmu dzinēju eļļu. Nelietojiet četrtaktu dzinējiem paredzētu eļļu.

### Benzīna un divtaktu dzinēja eļļas sagatavošana

Benzīns, litri	Divtaktu dzinēja eļļa, litri
	<b>2% (50:1)</b>
5	0,10
10	0,20
15	0,30
20	0,40



**IEVĒROJIET:** Samaisot mazu degvielas daudzumu, nelielas kļūdas var būtiski ietekmēt maisījuma attiecību. Rūpīgi nomēriet eļļas daudzumu un pārbaudiet, vai tiek iegūts pareizs maisījums.



1. Iepildiet pusi benzīna daudzuma tīrā degvielas tvertnē.
2. Pievienojiet visu daudzumu eļļas.
3. Sakratiet degvielas maisījumu.
4. Pievienojiet tvertnē pārējo benzīna daudzumu.
5. Rūpīgi sakratiet degvielas maisījumu.





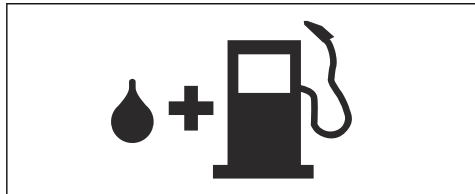
**IEVĒROJIET:** Vienā reizē sajauciet degvielu, lai tās pietiek tikai 1 mēnesim.

## Degvielas tvertnes uzpilde



**BRĪDINĀJUMS:** Drošības nolūkā ievērojiet tālāk norādīto procedūru.

1. Apturiet dzinēja darbību un ļaujiet tam atdzist.
2. Safīriet ap degvielas tvertnes vāciņu.



3. Sakratiet tvertni un pārbaudiet, vai degviela ir pilnībā sajaucusies ar eļļu.
4. Degvielas tvertnes vāciņu atveriet lēnām, lai samazinātu spiedienu.
5. Uzpildiet degvielas tvertni.



**IEVĒROJIET:** Pārliedzinieties, ka degvielas tvertnē nav pārāk daudz degvielas. Uzkarstot degviela izplešas.

6. Rūpīgi pievelciet degvielas tvertnes vāciņu.
7. Notīriet degvielu, kas izlījusi uz izstrādājuma un ap to.
8. Pirms izstrādājuma iedarbināšanas pārvietojiet to vismaz 3 m/10 pēdu attālumā no degvielas uzpildīšanas vietas un degvielas avota.

**Piezīme:** Informāciju par to, kur atrodas konkrētā izstrādājuma degvielas tvertne, sk. *Izstrādājuma pārskats lpp. 210.*

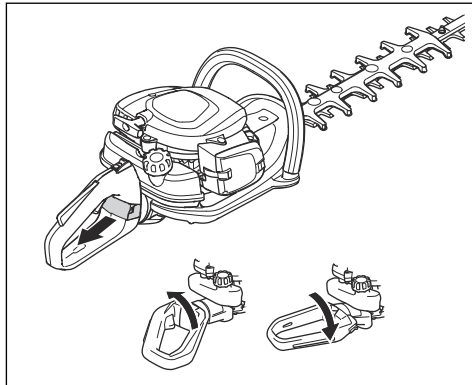
## Asmens gala aizsarga uzstādīšana

1. Noņemiet uzgriezni un skrūvi asmens galā.
2. Uzstādiet asmens gala aizsargu uz asmens gala.
3. Uzstādiet skrūvi un piegrieziet to ar 7 Nm spēku.
4. Uzstādiet uzgriezni un piegrieziet to ar 5 Nm spēku.

## Roktura regulēšana

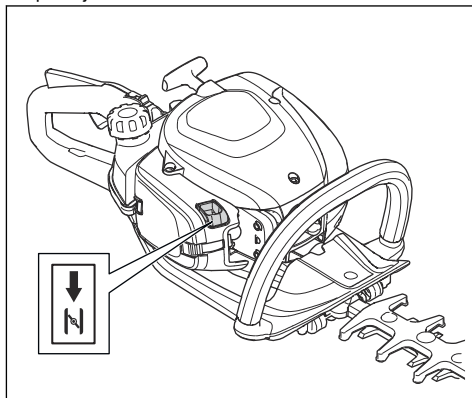
Aizmugurējā roktura augstumu var regulēt 3 pozīcijās.

- Atļaidiet roktura bloķētāju un pagrieziet rokturi.



## Izstrādājuma iedarbināšana, ja dzinējs ir auksts

1. Pavelciet gaisa vārsta vadību līdz gaisa vārsta pozīcijai.



2. Nospiediet atgaisošanas sūkņa balonu apmēram 6 reizes vai līdz degviela uzpilda balonu. Atgaisošanas sūkņa balons nav obligāti jāuzpilda līdz galam.
3. Ar kreiso roku piespiediet izstrādājumu pie zemes. Nekāpiet uz izstrādājuma.
4. Lēni velciet startera auklu ar labo roku, līdz sajūtat pretestību, pēc tam pavelciet startera auklas rokturi ātri un ar spēku.



**BRĪDINĀJUMS:** Netiniet startera auklu ap roku.



**IEVĒROJIET:** Neizvelciet startera auklu līdz galam un neatļaidiet startera auklas rokturi.

5. Turpiniet vilkt startera auklas rokturi, līdz dzinējs iedarbojas, pēc tam paspiediet gaisa vārsta vadību tās sākotnējā pozīcijā.



**BRĪDINĀJUMS:** Kad dzinējs ir iedarbināts, asmeņi sāk kustēties.

6. Turpiniet vilkt startera auklas rokturi, līdz dzinējs sāk darboties.
7. Lai iestatītu dzinēja brīvsgaitas apgrīezienu skaitu, piespiediet un atlaidiet droseles mēlīti.
8. Lai palielinātu dzinēja apgrīezienus, pakāpeniski pabīdīet droseles mēlīti.
9. Pārliecinieties, vai dzinējs darbojas vienmērīgi.

## Izstrādājuma iedarbināšana, ja dzinējs ir auksts

1. Ar kreiso roku piespiediet izstrādājumu pie zemes. Nekāpiet uz izstrādājuma.
2. Lēni velciet startera auklu ar labo roku, līdz sajūtat pretestību, pēc tam pavelciet startera auklas rokturi ātri un ar spēku. Turpiniet, līdz dzinējs tiek iedarbināts.

**Piezīme:** Papildinformāciju par izstrādājuma iedarbināšanu skatiet šeit: *Izstrādājuma iedarbināšana, ja dzinējs ir auksts lpp. 217.*

## Izstrādājuma izslēgšana

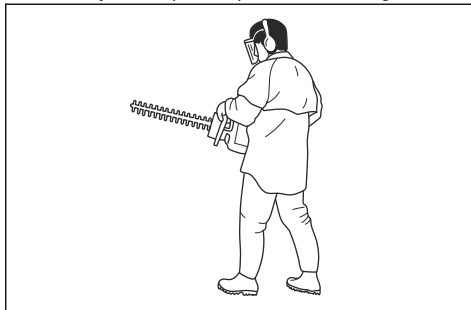
- Pārbīdīet apturēšanas slēdzi dzinēja apturēšanas stāvoklī.



**IEVĒROJIET:** Apturēšanas slēdzis automātiski atgriežas darbības stāvoklī.

## Izstrādājuma darbināšana

1. Apgrīžot dzīvzoga malas, virziet izstrādājumu no dzīvzoga apakšas uz augšu. Raugieties, lai izstrādājuma korpus nepieskartos dzīvzogam.



**BRĪDINĀJUMS:** Raugieties, griešanas aprīkojuma priekšējā daļa nepieskartos zemei.

2. Noregulējiet ātrumu, lai tas atbilstu darba slodzei.
3. Lai nodrošinātu stabilu darba pozīciju, turiet izstrādājumu tuvu ķermenim.
4. Esiet uzmanīgs un strādājiet ar izstrādājumu lēnām.

## Apkope

### Ievads



**BRĪDINĀJUMS:** Pirms ķēdes zāģa apkopes veikšanas izlasiet un izprotiet sadaļu par drošības pasākumiem.

### Apkopes grafiks

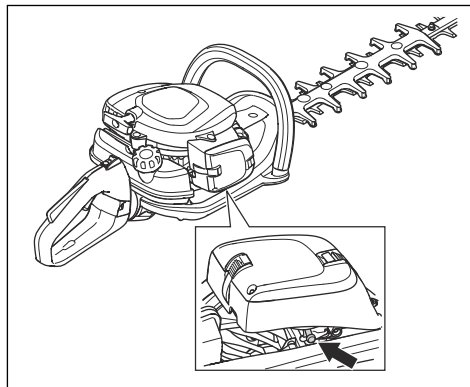
Apkope	Pirms izmantošanas	Pēc 40 h	Pēc 100 h
Notīriet ārējo virsmu.	Pēc katras lietošanas.		
Notīriet no slāpētāja, izplūdes caurules un dzinēja lapas, nefūrumus un smērvielas pārpalikumus.	Pēc katras lietošanas.		
Pārbaidiet, vai griešanas ierīce nekustas, dzinējam darbojoties tukšgaitā.	X		
Pārbaidiet apturēšanas slēdzi.	X		

Apkope	Pirms izmantošanas	Pēc 40 h	Pēc 100 h
Pārbaudiet, vai griešanas ierīce un griešanas ierīces aizsargs nav bojāti vai ieplaisājuši. Ja nepieciešams, nomainiet.	X		
Pārbaudiet, vai rokas aizsargs nav bojāts vai ieplaisājis. Ja nepieciešams, nomainiet.	X		
Pārbaudiet droseles mēlītes bloķētāju un droseles mēlīti.	X		
Pārbaudiet, vai dzinējā, degvielas tvertnē un degvielas caurulēs nav noplūdes.	X		
Pievelciet uzgriežņus un skrūves.	X		
Pārbaudiet, vai degvielas filtrs nav piesārņots un vai degvielas šļūtenē nav ieplaisājumu vai citu defektu. Ja nepieciešams, nomainiet.	X		
Pārbaudiet, vai nav bojāts starteris un startera aukla.		X	
Iztīriet gaisa filtru. Ja nepieciešams, nomainiet.		X	
Pārbaudiet, vai vibrāciju slāpēšanas elementi nav bojāti vai ieplaisājuši.		X	
Pārbaudiet aizdedzes sveci, skatiet šeit: <i>Aizdedzes sveces pārbaude lpp. 220.</i>		X	
Iztīriet dzesēšanas sistēmu.		X	
Noīriet karburatora ārējo virsmu un ap to esošo laukumu.		X	
Noīriet vai mainiet dzirksteļu aizturēšanas sietu.			X
Iztīriet degvielas tvertni no iekšpuses.			X
Pārbaudiet aizdedzes sveci.			X
Pārliecinieties, vai pārnēsūmkārbas (reduktora) karteris ir piepildīts ar smērvielu.			X

## Tukšgaitas apgriezienu skaita regulēšana

1. Izīriet gaisa filtru un piestipriniet gaisa filtra vāku.
2. Iedarbiniet izstrādājumu, skatiet *Izstrādājuma iedarbināšana, ja dzinējs ir auksts lpp. 217.*

3. Vispirms griežiet brīvgaitas regulēšanas skrūvi T pulkstenrādītāja kustības virzienā, līdz griešanas ierīce sāk kustēties.



4. Griežiet tukšgaitas regulēšanas skrūvi pretēji pulkstenrādītāju kustības virzienam, līdz griešanas ierīce apstājas.



**BRĪDINĀJUMS:** Ja griešanas ierīce neapstājas, regulējot brīvsgaitas apgriezienu skaitu, sazinieties ar tuvāko izplatītāju, kas nodrošina apkopi. Nelietojiet izstrādājumu, kamēr tas nav pareizi noregulēts vai saremontēts.

**Piezīme:** Tukšgaitas apgriezienu skaits ir pareizs, ja dzinējs vienmērīgi darbojas visos režīmos. Ieteicamo brīvsgaitas apgriezienu skaitu skatiet šeit: *Tehniskie dati lpp. 222.*

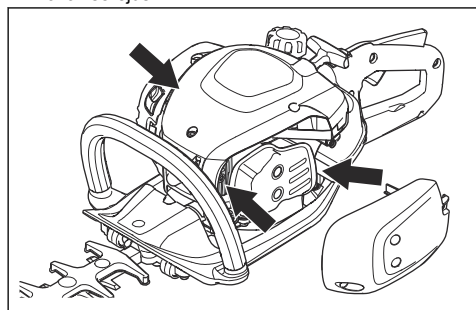
## Dzesēšanas sistēmas tīrīšana

Dzesēšanas sistēma palīdz saglabāt zemu dzinēja temperatūru. Dzesēšana sistēmā ietilpst dzeses ribas uz cilindra un startera korpusus.



**IEVĒROJIET:** Gaisa ieplūdi starp degvielas tvertni un karteri var nobloķēt lapas. Rūpīgi iztīriet gaisa ieplūdi.

1. Tīriet dzesēšanas sistēmu ar suku katru nedēļu vai biežāk, ja nepieciešams.
2. Pārliecinieties, vai dzesēšanas sistēma nav netīra vai aizsērējusi.



## Aizdedzes sveces pārbaude

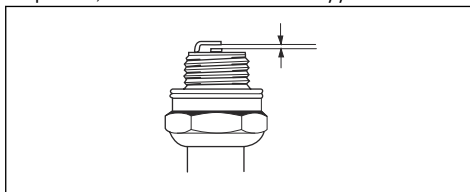


**IEVĒROJIET:** Vienmēr lietojiet ieteikto aizdedzes sveces tipu. Nepiemērota aizdedzes svece var radīt izstrādājuma bojājumus.

- Pārbaudiet aizdedzes sveci, ja dzinējam nepietiek jaudas, dzinēju nevar viegli iedarbināt vai arī tas nedarbojas pareizi tukšgaitā.
- Lai samazinātu nevēlamu materiālu uzkrāšanos uz aizdedzes sveces elektrodiem, ievērojiet turpmākos norādījumus.
  - a) Pārliecinieties, vai tukšgaitas apgriezienu skaits ir noregulēts pareizi.
  - b) Pārliecinieties, vai degvielas maisījums ir atbilstošs.

c) Pārliecinieties, vai gaisa filtrs ir tīrs.

- Ja aizdedzes svece ir netīra, notīriet to un pārbaudiet, vai atstatums starp elektrodiem ir pareizs; skatiet šeit: *Tehniskie dati lpp. 222.*

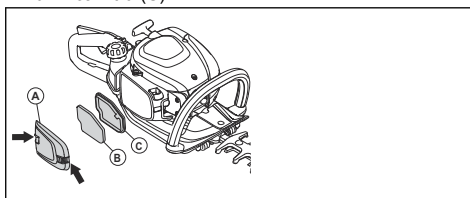


- Ja nepieciešams, nomainiet aizdedzes sveci.

## Gaisa filtra tīrīšana

Regulāri notīriet netīrumus un putekļus no gaisa filtra. Tādējādi tiks novērsta karburatora nepareiza darbība, iedarbināšanas problēmas, dzinēja jaudas samazināšanās, dzinēja detaļu nolietošānās un palielināts degvielas patēriņš.

1. Noņemiet gaisa filtra vāku (A).
2. No filtra karkasa noņemiet putu polistirola filtru (B) un filca filtru (C).



3. Uzlieciet atpakaļ filca filtru (C).
4. Iztīriet putu polistirola filtru (B) ar siltu ziepjūdeni.

**Piezīme:** Gaisa filtru, kas ir izmantots ilgu laiku, nevar iztīrīt pilnībā. Mainiet gaisa filtru regulāri un vienmēr nomainiet bojātu gaisa filtru.

5. Gādājiet, lai putu polistirola filtrs (B) būtu sauss.
6. Izmantojiet gaisa filtra eļļu putu polistirola filtram (B). Skatiet šeit: *Gaisa filtra ieeļļošana lpp. 220*
7. Notīriet gaisa filtra vāku (A) iekšējo virsmu. Izmantojiet spasiestu gaisu vai suku.

## Gaisa filtra ieeļļošana



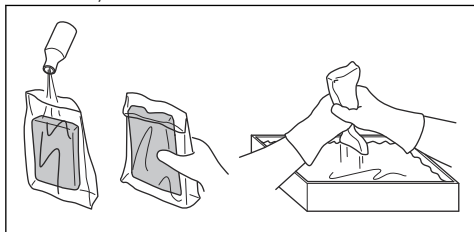
**IEVĒROJIET:** Lietojiet tikai Husqvarna speciālo gaisa filtra eļļu. Neizmantojiet citu veidu eļļas.



**BRĪDINĀJUMS:** Uzvelciet aizsargcimdus. Gaisa filtra eļļa var izraisīt ādas kairinājumu.

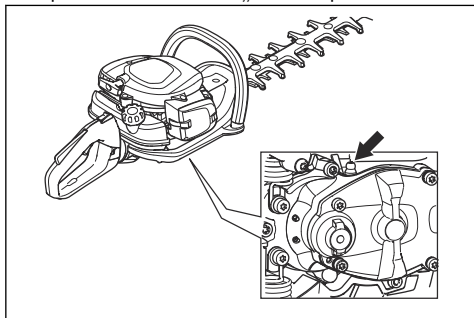
1. Ievietojiet gaisa filtru plastmasas maisiņā.
2. Ielejiet eļļu plastmasas maisiņā.

3. Paberzējiet plastmasas maisiņu plaukstās, lai eļļa tiek vienmērīgi uzklāta uz gaisa filtra.
4. Izspiediet eļļas pārpalikumu no gaisa filtra, kamēr tas ir maisiņā.



## Pārnesumkārbas (reduktora) kartera ieeļļošana

- Lietojiet īpašo Husqvarna smērvielu. Lai iegūtu plašāku informāciju par ieteicamo smērvielu, sazinieties ar izplatītāju.
- Iepildiet smērvielu caur eļļošanas nipelī.



**IEVĒROJIET:** Nepiepildiet pārnesumkārbas (reduktora) karteri pilnībā.

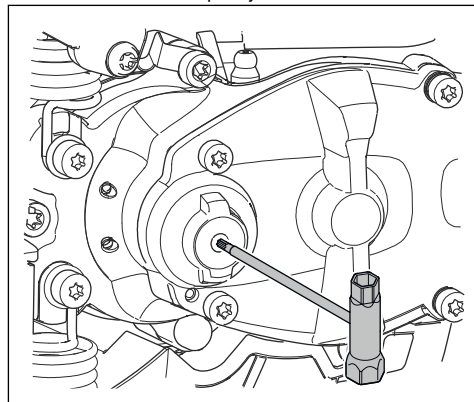
## Asmeņu tīrīšana un ieeļļošana

1. Pirms un pēc izstrādājuma izmantošanas notīriet no tā asmeņiem nevēlamos materiālus.
2. Pirms ilga uzglabāšanas perioda ieeļļojiet asmeņus.

**Piezīme:** Lai iegūtu plašāku informāciju par ieteicamajiem tīrīšanas līdzekļiem un smērvielām, sazinieties ar izplatītāju, kas nodrošina apkopi.

## Asmeņu pārbaude

1. Noņemiet pārnesumkārbas (reduktora) kartera pārsegu.
2. Pārļecinieties, vai asmeņi rotē brīvi. Ievietojiet kombinēto uzgriežņu atslēgu pārnesumkārbas (reduktora) karterī un pagrieziet pulksteņrādītāju kustības virzienā un pretēji tai.



3. Pārbaudiet, vai asmeņu malas nav bojātas vai deformētas.
4. Lai likvidētu asmeņu atskarpes, izmantojiet vīli.

## Pārvadāšana, glabāšana un utilizēšana

### Pārvadāšana un uzglabāšana

- Pirms izstrādājuma novietošanas glabāšanai vienmēr ļaujiet tam atdzist.
- Attiecībā uz izstrādājuma un degvielas glabāšanu un transportēšanu pārļecinieties, vai nav noplūdes vai tvaiku. Dzirksteles vai atklātas liesmas, ko rada, piemēram, elektroierīces vai tvaika katli, var izraisīt ugunsgrēku.
- Vienmēr izmantojiet apstiprinātas tvertnes degvielas glabāšanai un transportēšanai.
- Pirms transportēšanas vai ilgstošas uzglabāšanas iztukšojiet tvertni. Utilizējiet degvielu atbilstoši utilizēšanas vietā.

- Transportēšanas un glabāšanas laikā piestipriniet transportēšanas aizsargu.
- Noņemiet aizdedzes sveces uzgali no aizdedzes sveces.
- Transportēšanas laikā nostipriniet izstrādājumu. Pārļecinieties, ka tas nevar kustēties.
- Pirms ilgstošas glabāšanas notīriet izstrādājumu un saremontējiet to.

## Tehniskie dati

### Tehniskie dati

	522HD60X	522HDR60X	522HDR75X
<b>Dzinējs</b>			
Cilindra darba tilpums, cm <sup>3</sup>	21,7	21,7	21,7
Brīvgaitas apgriezienu skaits, apgr./min.	3000	3000	3000
Ieteicamais maksimālais apgriezienu skaits, apgr./min.	9200	9200	9200
Maksimālā dzinēja jauda saskaņā ar ISO 8893, kW/zp (apgr./min.)	0,6/0,8 @ 7800	0,6/0,8 @ 7800	0,6/0,8 @ 7800
Trokšņa slāpētājs ar katalītisko neitralizatoru	Jā	Jā	Jā
<b>Aizdedzes sistēma</b>			
Aizdedzes svece	NGK CMR6A	NGK CMR6A	NGK CMR6A
Atstarpe starp elektrodiem, mm	0,5	0,5	0,5
<b>Degviela</b>			
Degvielas tvertnes tilpums, l/cm <sup>3</sup>	0,45/450	0,45/450	0,45/450
<b>Svars</b>			
Bez degvielas, kg	4,9	5,0	5,2
<b>Trokšņa emisija</b> <sup>43</sup>			
Skaņas jaudas līmenis, izmērītais dB(A)	101	101	101
Skaņas jaudas līmenis, garantētais L <sub>WA</sub> dB (A)	102	102	102
<b>Skaņas līmeņi</b> <sup>44</sup>			
Ekvivalents skaņas spiediena līmenis pie lietotāja auss, mērīts saskaņā ar EN ISO 10517, dB(A)	93	93	93
<b>Vibrācijas līmeņi</b> <sup>45</sup>			
Ekvivalenti vibrācijas līmeņi (a <sub>nv,eq</sub> ) pie rokturiem, mērīti atbilstoši standartam EN ISO 10517, m/s <sup>2</sup>			
Priekšā/aizmugurē, mm/s <sup>2</sup>	2,7/1,2	2,8/1,3	2,1/2,2
<b>Asmeņi</b>			
Tips	Abpusēji	Abpusēji	Abpusēji

<sup>43</sup> Atbilstoši EK direktīvai 2000/14/EK trokšņa emisija apkārtnē ir mērīta kā trokšņa jauda (L<sub>WA</sub>). Novērotais izstrādājuma skaņas jaudas līmenis ir izmērīts ar pievienotu oriģinālo griešanas ierīci, kas rada augstāko līmeni. Atšķirība starp garantēto un izmērīto skaņas jaudas līmeni ir tāda, ka garantētā skaņas intensitātes līmeņa mērījumu rezultāts ietver arī izkliedi mērījuma rezultātā un atšķirības dažādiem tā paša modeļa izstrādājumiem atbilstoši Direktīvai 2000/14/EK.

<sup>44</sup> Sniegtajos datos par skaņas spiediena līmeni ir tipiska statistiskā izkliede 1 dB(A) (standartnovirze).

<sup>45</sup> Sniegtajos datos par vibrācijas līmeni ir tipiska 1 m/s<sup>2</sup> statistiskā izkliede (standarta novirze).

	<b>522HD60X</b>	<b>522HDR60X</b>	<b>522HDR75X</b>
Griešanas garums, cm	600	600	750
Griešanas ātrums, griešana/min.	4400	3200	3200

# Atbilstības deklarācija

## ES atbilstības deklarācija

Mēs, **Husqvarna AB**, SE-561 82 Huskvarna, Zviedrija, tālr. +46-36-146500, ar pilnu atbildību apliecinām, ka šis izstrādājums:

<b>Apraksts</b>	Dzīvžogu šķēres
<b>Zīmols</b>	Husqvarna
<b>Tips/modelis</b>	522HD60X, 522HDR60X, 522HDR75X
<b>Identifikācija</b>	Ar sērijas numuriem no 2022 un turpmākiem sērijas numuriem

pilnībā atbilst šādām ES direktīvām un noteikumiem:

Noteikums	Apraksts
2006/42/EK	“par iekārtām”
2014/30/ES	“par elektromagnētisko savietojamību”
2000/14/EK	“par trokšņa emisiju vidē”
2011/65/ES	Par dažādu bīstamo vielu lietošanas ierobežojumiem elektriskajos un elektroniskajos aprīkojumos

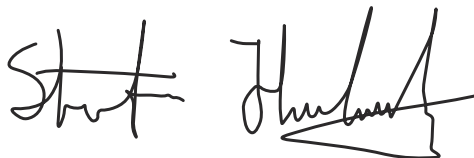
un ir ievēroti zemāk norādītie saskaņotie standarti un/vai tehniskie dati: EN ISO 12100:2021, CISPR 12: 2009, EN ISO 10517:2009/A1:2013, EN IEC 63000:2018.

RISE SMP Svensk Maskinprovning AB, ir veicis brīvprātīgu tipa pārbaudi Husqvarna AB vārdā. Sertifikāta numurs: SEC/18/2518.

RISE SMP Svensk Maskinprovning AB, ir pārbaudījis atbilstību Eiropas Padomes 2000. gada 8. maija direktīvas 2000/14/EK prasībām attiecībā uz trokšņa emisiju vidē. Sertifikāta numuri: 01/094/026-522HD60X, 01/094/027-522HDR60X, 522HDR75X.

Lai iegūtu informāciju par trokšņa emisiju, skatiet šeit: *Tehniskie dati lpp. 222.*

Huskvarna, 2022-05-09



Stefan Holmberg, R&D Director, Technology Management, Husqvarna AB

Atbildīgais par tehnisko dokumentāciju



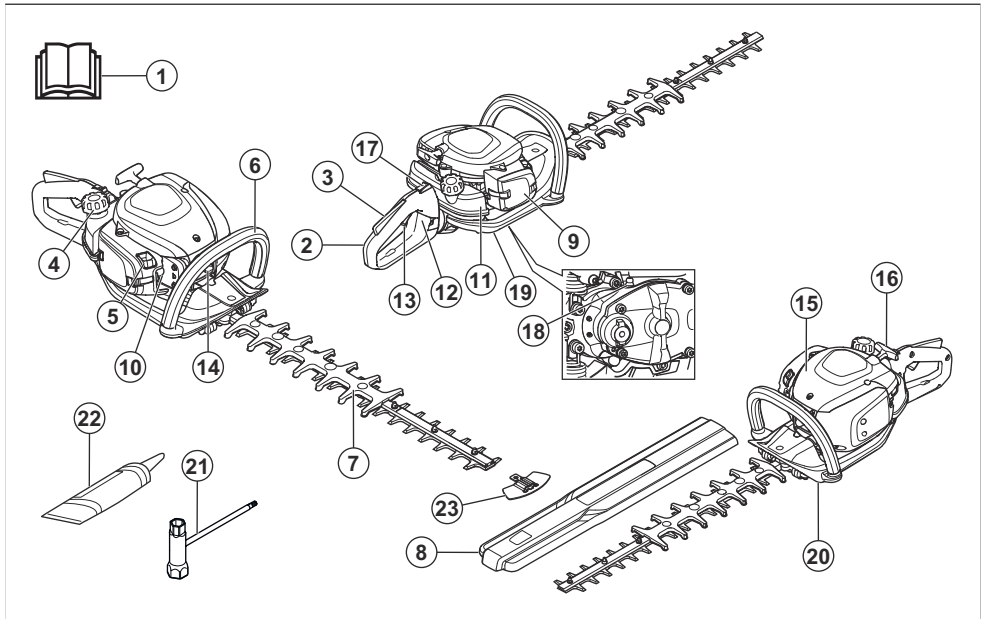


## Inhoud

Inleiding.....	225	Vervoer, opslag en verwerking.....	237
Veiligheid.....	226	Technische gegevens.....	237
Werking.....	231	Verklaring van overeenstemming.....	239
Onderhoud.....	234		

## Inleiding

### Productoverzicht



1. Bedieningshandleiding
2. Achterhandgreep
3. Gashendelvergrendeling
4. Dop benzinetank
5. Chokehendel
6. Voorhandgreep
7. Snijblad en beschermkap
8. Transportbescherming
9. Luchtfilterdeksel
10. Primerbalg van brandstofpomp
11. Brandstoftank
12. Vergrendeling handgreep
13. Gashendel
14. Bougiekap en bougie
15. Cilinderkap
16. Starthendel
17. Stopschakelaar
18. Smeernippel
19. Tandwielhuis
20. Handbescherming
21. Ring-steeksleutel
22. Tube vet
23. Bescherming bladuiteinde

### Productbeschrijving

Het product is een heggenschaar met een verbrandingsmotor.

### Gebruik

Gebruik het product voor het snoeien van takken en twijgen. Gebruik het product niet voor andere taken.

## Symbolen op het product



Stop.



Wees voorzichtig en gebruik het product op de juiste manier. Dit product kan ernstig of fataal letsel toebrengen aan de gebruiker of anderen.



Lees de bedieningshandleiding zorgvuldig door en zorg dat u de instructies hebt begrepen voordat u het product gebruikt.



Gebruik goedgekeurde gehoorbescherming en oogbescherming.



Draag goedgekeurde veiligheidshandschoenen.



Gebruik antisliplaarzen voor zwaar gebruik.

T

Stelschroef voor stationair draaien.

H

Naald voor hoge toeren.

L

Naald voor lage toeren.



Geluidsemissies naar de omgeving volgens de Europese richtlijn 2000/14/EG en de wetgeving van Nieuw-Zuid-Wales "Protection of the Environment Operations (Noise Control) Regulation 2017". De geluidsemissiegegevens vindt u op het machinelabel en in het hoofdstuk Technische gegevens.

CE

Het product voldoet aan de geldende EG-richtlijnen.

UK  
CA

Dit product voldoet aan geldende VK-regelgeving.

yyyywwxxxx

Het serienummer staat op het productplaatje. **yyyy** is het productiejaar en **ww** is de productieweek.

**Let op:** Andere symbolen/stickers op het product hebben betrekking op certificeringseisen voor bepaalde markten.

## Euro V-emissies



**WAARSCHUWING:** De EU-typegoedkeuring van dit product vervalt als ongeoorloofde wijzigingen aan de motor aangebracht worden.

## Veiligheid

### Veiligheidsdefinitie

Waarschuwingen, voorzorgsmaatregelen en opmerkingen worden gebruikt om te wijzen op belangrijke delen van de handleiding.



**WAARSCHUWING:** Wordt gebruikt om te wijzen op de kans op ernstig of fataal letsel voor de gebruiker of omstanders wanneer de instructies in de handleiding niet worden gevolgd.



**OPGELET:** Wordt gebruikt indien er een risico bestaat op schade aan het product en andere eigendommen of aan

de omgeving wanneer de instructies in de handleiding niet worden gevolgd.

**Let op:** Geven verdere informatie die nodig is in een bepaalde situatie.

### Algemene veiligheidsinstructies



**WAARSCHUWING:** Lees de volgende waarschuwingen voordat u het product gaat gebruiken.

- Bij onjuist of onzorgvuldig gebruik kan het product een gevaarlijk gereedschap worden, dat ernstig of zelfs dodelijk letsel kan veroorzaken. Het is

uiterst belangrijk dat u de inhoud van deze bedieningshandleiding doorleest en begrijpt.

- Dit product produceert tijdens bedrijf een elektromagnetisch veld. Dit veld kan onder bepaalde omstandigheden de werking van actieve of passieve medische implantaten verstoren. Om het risico op ernstig of fataal letsel te beperken, raden we personen met een medisch implantaat aan om contact op te nemen met hun arts en de fabrikant van het medische implantaat voordat ze dit product gaan bedienen.
- Als men teveel wordt blootgesteld aan trillingen, kan dit tot bloedvat- en zenuwbeschadigingen leiden bij personen die een slechte bloedcirculatie hebben. Consulteer uw dokter wanneer u symptomen heeft die wijzen op te grote blootstelling aan trillingen. Dergelijke symptomen zijn o.a. een doof gevoel, gevoelloosheid, tintelingen, een prikkelend gevoel, pijn, krachtverlies, veranderingen van huidskleur of conditie van de huid. Deze symptomen komen meestal voor op vingers, handen of polsen. De risico's kunnen bij lage temperaturen toenemen.
- Wanneer u in een situatie belandt waarin u niet goed weet hoe u verder te werk moet gaan, moet u een expert raadplegen. Wend u tot uw dealer of uw servicewerkplaats. Gebruik de machine nooit voor taken waarvoor u niet voldoende gekwalificeerd bent.
- Denk erom dat de gebruiker verantwoordelijk is voor ongelukken of beschadigingen van andere mensen of hun eigendommen.
- Laat nooit een ander het product gebruiken zonder u ervan te verzekeren dat ze de inhoud van de bedieningshandleiding hebben begrepen.
- Sta nooit toe dat kinderen het product gebruiken of in de buurt van het product komen. Omdat het product is uitgerust met een terugverende stopschakelaar en kan worden gestart op lage snelheid en met weinig kracht op de starthendel, kunnen zelfs kleine kinderen onder bepaalde omstandigheden het product op eigen kracht starten. In dat geval kan er een risico op ernstig persoonlijk letsel bestaan. Verwijder daarom de bougiekap wanneer u geen toezicht houdt op het product.
- Bewaar het product buiten het bereik van kinderen.
- Gebruik het product nooit als u moe bent, alcohol heeft gedronken of medicijnen hebt ingenomen die uw gezichtsvermogen, beoordelingsvermogen of coördinatievermogen negatief beïnvloeden.
- Gebruik nooit een machine die defect is. Volg de onderhouds-, controle- en service-instructies van deze gebruiksaanwijzing. Bepaalde onderhouds- en servicemaatregelen moeten door opgeleide en gekwalificeerde specialisten worden uitgevoerd. Zie de instructies in het hoofdstuk Onderhoud.
- Gebruik nooit een product dat zo gewijzigd is dat het niet langer overeenkomt met de originele uitvoering.

## Veiligheidsinstructies voor bediening



**WAARSCHUWING:** Lees de volgende waarschuwingen voordat u het product gaat gebruiken.

- Gebruik het product nooit bij extreme klimaatomstandigheden zoals strenge kou of een zeer warm en/of vochtig klimaat.
- Defecte snijbladen kunnen het risico op ongevallen vergroten.
- Let erop dat tijdens de werkzaamheden niemand binnen een straal van 15 meter komt.
- Controleer de omgeving en vergewis u ervan dat er geen risico bestaat dat mensen of dieren in contact komen met de snijuitrusting.
- Controleer het werkgebied. Verwijder voorwerpen die weggeslingerd kunnen worden.
- Let erop dat u tijdens het werken altijd op een veilige en stabiele ondergrond staat.
- Laat het product nooit onbeheerd achter terwijl de motor draait.
- Zorg ervoor dat uw handen en voeten niet bij het snij-aggregaat komen als de motor draait.
- Mocht er tijdens de werkzaamheden iets tussen de messen vast komen zitten, moet de motor uitgezet worden en moeten de messen helemaal gestopt zijn voordat ze worden schoongemaakt. Haal de bougiekabel van de bougie. Zie *De messen inspecteren op pagina 236*.
- Wanneer u de motor hebt uitgeschakeld, moet u uw handen en voeten uit de buurt van het snij-aggregaat houden tot de motor helemaal gestopt is.
- Wees alert op stukken tak die tijdens het knippen weggeslingerd kunnen worden.
- Let als u gehoorbescherming draagt op waarschuwingssignalen of geschreeuw. Doe uw gehoorbescherming altijd af zodra de motor is gestopt.
- Werk nooit op een ladder, stoel of andere verhoging die niet stevig vast staat.
- Gebruik altijd beide handen om het product vast te houden. Houd het product voor uw lichaam.
- Stop het product onmiddellijk als een vreemd voorwerp wordt geraakt of als zich trillingen voordoen. Haal de bougiekabel van de bougie. Controleer of het product niet beschadigd is. Repareer eventuele beschadigingen.
- Verzekeer u ervan dat de bougiekop en ontstekingskabel onbeschadigd zijn om het risico van een elektrische schok te voorkomen.
- Controleer of alle moeren en bouten goed vastgedraaid zijn.
- Zorg ervoor dat de overbrenging goed gesmeerd is. Zie *Voor het smeren van het tandwielhuis op pagina 236*.

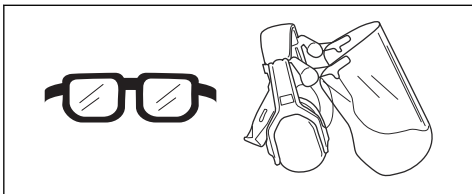
- Het tandwielhuis is warm wanneer het product is gebruikt. Raak de overbrenging niet aan om brandwonden te voorkomen.
- Alle kappen en beschermkappen moeten gemonteerd zijn voor de start.
- De transportbescherming moet altijd op het snij-aggregaat worden geplaatst als het product niet wordt gebruikt.

## Persoonlijke beschermingsuitrusting

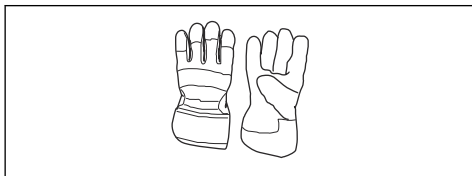


**WAARSCHUWING:** Lees de volgende waarschuwingen voordat u het product gaat gebruiken.

- Draag tijdens het gebruik van het product altijd goedgekeurde persoonlijke beschermingsuitrusting. Persoonlijke beschermingsuitrusting kunnen niet alle risico's uitsluiten maar kunnen de ernst van eventueel letsel helpen beperken. Vraag uw dealer u te helpen bij het kiezen van de juiste beschermingsmiddelen.
- Gebruik goedgekeurde gehoorbescherming met voldoende dempvermogen. Langdurige blootstelling aan lawaai kan leiden tot permanente gehoorbeschadiging.
- Gebruik goedgekeurde oogbescherming. Als u een vizier gebruikt, moet u ook een goedgekeurde veiligheidsbril gebruiken. Een goedgekeurde veiligheidsbril moet voldoen aan de norm ANSI Z87.1 voor de VS of EN 166 voor de EU-landen.



- Draag zo nodig handschoenen, bijvoorbeeld bij het monteren, inspecteren of reinigen van de snijuitrusting.



- Gebruik stevige laarzen of schoenen met antislipzool.



- Gebruik kleding van stevige stof. Gebruik altijd een zware lange broek en lange mouwen. Gebruik geen loszittende kleding die gemakkelijk kan blijven haken aan takjes en struikgewas. Draag geen sieraden, korte broek of sandalen of loop niet op blote voeten. Bind voor de veiligheid lang haar samen tot boven schouderhoogte.
- Houd een EHBO-doos binnen handbereik.



## Veiligheidsvoorzieningen op het product

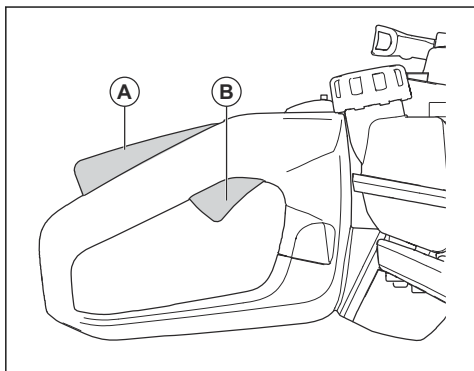


**WAARSCHUWING:** Lees de volgende waarschuwingen voordat u het product gaat gebruiken.

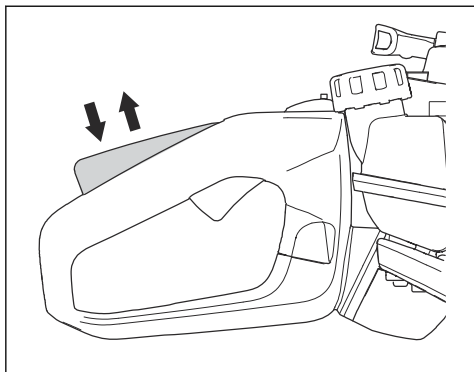
- Gebruik het product nooit wanneer de veiligheidsvoorzieningen defect zijn.
- Controleer de veiligheidsvoorzieningen regelmatig op een juiste werking. Als de veiligheidsvoorzieningen defect zijn, neem dan contact op met uw Husqvarna servicewerkplaats.

## Gashendelvergrendeling controleren

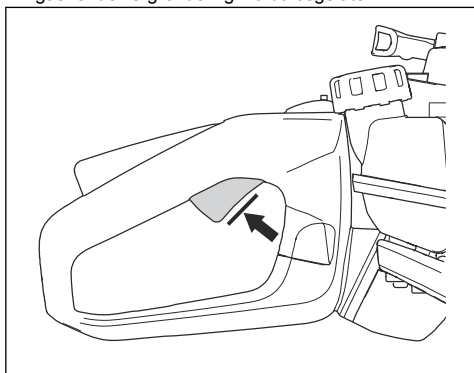
1. Controleer of gashendelvergrendeling (A) en de gashendel (B) vrij bewegen en of de retourveer correct werkt.



2. Duw de gashendelvergrendeling omlaag en controleer of deze terugkeert naar de oorspronkelijke stand wanneer u hem loslaat.



3. Controleer of de gashendel vergrendeld is in de stationaire stand wanneer de gashendelvergrendeling wordt losgelaten.



4. Start het product en laat het op vol vermogen werken.

5. Laat de gashendel los en controleer of de bladen stoppen en blijven stilstaan.



**WAARSCHUWING:** Als de messen bewegen wanneer de gashendel in de stationaire stand staat, moet het stationair toerental van de carburateur worden afgesteld. Zie *Stationair toerental afstellen op pagina 234*.

#### De stopschakelaar controleren

1. Start de motor.
2. Zet de stopschakelaar in de stopstand en zorg dat de motor stopt.



**WAARSCHUWING:** De stopschakelaar keert automatisch terug naar de startpositie. Om onbedoeld starten te voorkomen, verwijdert u de bougiekap van de bougie bij montage van of onderhoud aan het product.

#### De handbescherming controleren

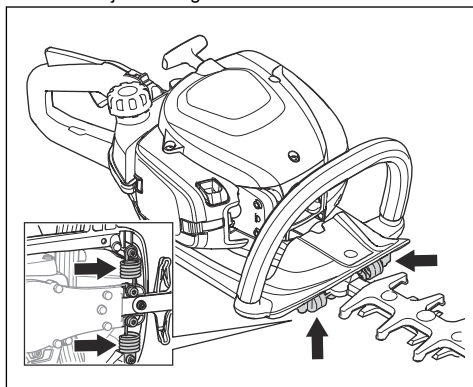
De handbescherming voorkomt letsel door de bladen.

1. Stop de motor.
2. Zorg dat de handbescherming op de juiste manier is aangebracht.
3. Controleer de handbescherming op beschadigingen.

#### Trillingdempingssysteem controleren

Het trillingdempingssysteem vermindert trillingen in de handgrepen. Trillingdempers fungeren als scheiding tussen de productbehuizing en de handgreep.

1. Voer een visuele controle uit op vervorming en beschadiging.
2. Controleer of de onderdelen van de trillingdempers correct zijn bevestigd.



## Geluidemper controleren



**WAARSCHUWING:** Gebruik het product nooit zonder geluidemper of met een defecte geluidemper. Wanneer de geluidemper defect is, stijgt het geluidsniveau en neemt het risico op brand toe. Gebruik het product niet zonder vonkenscherm of met een beschadigd vonkenscherm. Een beschadigd vonkenscherm mag nooit worden teruggeplaatst.



**WAARSCHUWING:** De dempers worden zeer heet tijdens en na het gebruik, ook bij stationair toerental.



**OPGELET:** Indien het vonkenscherm vaak verstopt is, kan dit erop duiden dat de werking van de katalysator is afgenomen. Neem contact op met uw servicedealer voor controle van de geluidemper. Een verstopt vonkenscherm veroorzaakt oververhitting en dat leidt tot schade aan de cilinder en zuiger.

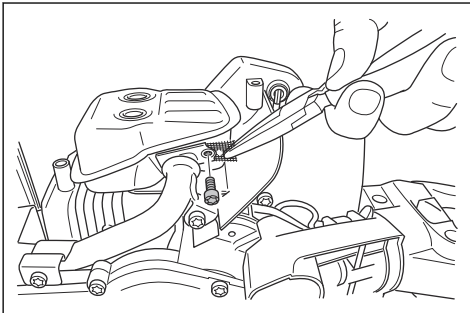


**WAARSCHUWING:** De binnenkanten van de geluidemper bevatten chemische stoffen die kanker kunnen veroorzaken. Raak deze elementen niet aan als de geluidemper is beschadigd.

De uitlaatdemper is bedoeld om het geluidsniveau zo laag mogelijk te houden en om de uitlaatgassen uit de buurt te houden van de gebruiker.

Een geluidemper met een katalysator vermindert schadelijke uitlaatgassen.

1. Stop de motor.
2. Voer een visuele controle uit op beschadiging en vervorming.
3. Zorg ervoor dat de geluidemper correct aan het product is bevestigd.
4. Reinig het vonkenscherm met een draadborstel.



## De bladen en bladbeschermkap controleren

De buitenste delen van de bladen fungeren als een bladbeschermkap. De bladbeschermkap voorkomt snijwonden.

1. Stop de motor en zorg ervoor dat de bladen stoppen.
2. Verwijder de bougiekap van de bougie.
3. Draag veiligheidshandschoenen.
4. Controleer of het blad en de bladbeschermkap niet zijn beschadigd of verbogen. Vervang altijd een beschadigd of verbogen blad, of een beschadigde bladbeschermkap.
5. Zorg ervoor dat de schroeven van de bladen en de bladbeschermkap goed vastzitten.

## Brandstofveiligheid



**WAARSCHUWING:** Lees de volgende waarschuwingen voordat u het product gaat gebruiken.

- Start het product niet als er brandstof of motorolie op het product aanwezig is. Verwijder de ongewenste brandstof/olie en laat het product drogen.
- Als u brandstof op uw kleding morst, trek dan direct andere kleding aan.
- Zorg dat er geen brandstof op uw lichaam terecht komt, dit kan letsel veroorzaken. Als er brandstof op uw lichaam terecht komt, verwijder deze dan met water en zeep.
- Start het product niet als er sprake is van een motorlekkage. Controleer de motor regelmatig op lekkage.
- Wees voorzichtig met brandstof. Brandstof is licht ontvlambaar en de dampen zijn explosief. Ze kunnen letsel veroorzaken of leiden tot de dood.
- Adem geen brandstofdampen in, dit kan letsel veroorzaken. Zorg voor voldoende ventilatie.
- Rook niet in de buurt van de brandstof of de motor.
- Plaats geen warme voorwerpen in de buurt van de brandstof of de motor.
- Vul geen brandstof bij terwijl de motor is ingeschakeld.
- Zorg ervoor dat de motor koud is wanneer u brandstof bijvult.
- Draai de tankdop langzaam open en laat de druk voorzichtig ontsnappen voordat u brandstof bijvult.
- Vul geen brandstof voor de motor bij in een afgesloten ruimte. Onvoldoende ventilatie kan leiden tot ernstig letsel of de dood door verstikking of het inademen van koolmonoxide.
- Draai de tankdop volledig aan. Als de tankdop niet volledig is aangedraaid, bestaat een risico op brand.
- Verplaats het product minstens 3 m van de plaats waar u de brandstoftank hebt gevuld, voordat u het product start.

- Vul de brandstoftank niet volledig. Door hitte zet de brandstof uit. Zorg ervoor dat er ruimte overblijft aan de bovenkant van de brandstoftank.

## Veiligheidsinstructies voor onderhoud



**WAARSCHUWING:** Lees de volgende waarschuwingen voordat u het product gaat gebruiken.

- Stop de motor en zorg dat de snijuitrusting stopt. Laat het product afkoelen voordat u onderhoudswerkzaamheden uitvoert.
- Koppel de bougiekap los voordat u onderhoud uitvoert.
- Uitlaatgassen van de motor bevatten koolmonoxide, een geurloos, giftig en uiterst gevaarlijk gas, dat de dood kan veroorzaken. Laat het product nooit binnenshuis of in gesloten ruimten draaien.
- De uitlaatdampen van de motor zijn heet en kunnen vonken bevatten. Laat het product niet draaien in gesloten ruimtes of in de buurt van licht ontvlambaar materiaal.
- Accessoires en wijzigingen aan het product die niet zijn goedgekeurd door de fabrikant, kunnen leiden tot ernstig letsel of overlijden. Breng geen wijzigingen aan het product aan. Gebruik altijd originele accessoires.
- Als het onderhoud niet correct en regelmatig wordt uitgevoerd, bestaat een verhoogde kans op letsel of schade aan het product.
- Voer alleen onderhoud uit zoals aanbevolen in deze bedieningshandleiding. Laat een goedgekeurde Husqvarna-servicewerkplaats alle andere onderhoudswerkzaamheden uitvoeren.
- Laat een erkende Husqvarna servicewerkplaats regelmatig onderhoud aan het product uitvoeren.
- Vervang beschadigde, versleten of defecte onderdelen.

## Werking

### Inleiding



**WAARSCHUWING:** Zorg dat u het hoofdstuk over veiligheid hebt gelezen en begrepen voordat u het product gebruikt.



**OPGELET:** Gebruik geen benzine met een octaangetal lager dan 90 RON/87 AKI. Een lager octaangetal kan leiden tot pingelen van de motor wat tot motorschade kan leiden.

### Brandstof

Dit product is uitgerust met een tweetaktmotor.



**OPGELET:** Een verkeerde soort brandstof kan leiden tot motorschade. Gebruik een mengsel van benzine en tweetaktolie.

### Tweetaktolie

- Gebruik voor de beste resultaten en optimale prestaties Husqvarna tweetaktolie.
- Als geen Husqvarna tweetaktolie beschikbaar is, gebruik dan een andere hoogwaardige tweetaktolie voor luchtgekoelde motoren. Bespreek de keuze van de tweetaktolie met uw servicedealer.

### Voorgemengde brandstof

- Gebruik voorgemengde Husqvarna-alkylaatbrandstof voor optimale prestaties en een lange levensduur van de motor. Deze brandstof bevat minder schadelijke stoffen dan reguliere brandstof waardoor de uitstoot van schadelijke uitlaatgassen wordt beperkt. Bij gebruik van deze brandstof blijven er minder verbrandingsresten in de motor achter waardoor de onderdelen van de motor schoner blijven.



**OPGELET:** Gebruik geen tweetaktolie die bedoeld is voor watergekoelde buitenboordmotoren, zogenaamde outboardoil. Gebruik geen olie die is bedoeld voor viertaktmotoren.

### Brandstof mengen

#### Benzine

- Gebruik hoogwaardige loodvrije benzine met maximaal 10% ethanol (E10).

### Benzine en tweetaktolie mengen

Benzine, liter	Tweetaktolie, liter
	<b>2% (50:1)</b>
5	0,10
10	0,20
15	0,30
20	0,40



**OPGELET:** Wanneer u kleine hoeveelheden brandstof mengt, kunnen kleine fouten grote gevolgen hebben voor de mengverhouding. Meet de hoeveelheid olie nauwkeurig af om het juiste mengsel te verkrijgen.



**OPGELET:** Zorg dat er niet te veel brandstof in de brandstoftank zit. De brandstof zet uit wanneer deze heet wordt.

6. Draai de tankdop volledig vast.
7. Verwijder gemorste brandstof op en rond het product.
8. Verwijder het product altijd ten minste 3 m uit de buurt van de tankplaats en brandstofbron voordat u het product gaat starten.

**Let op:** Zie *Productoverzicht op pagina 225* om te zien waar de brandstoftank op uw product is.

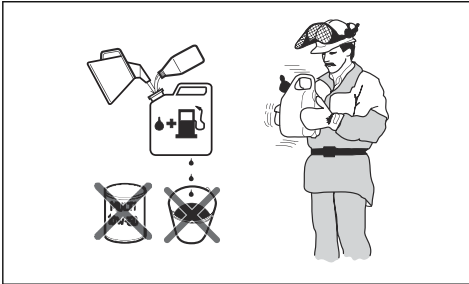
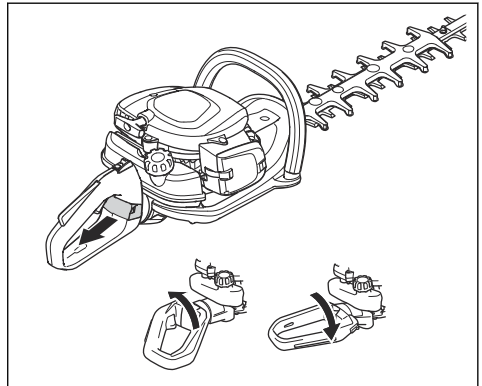
## De bescherming van het bladuiteinde monteren

1. Verwijder de moer en de bout op het bladuiteinde.
2. Monteer de bescherming van het bladuiteinde op het bladuiteinde.
3. Breng de bout aan en draai deze vast met 7 Nm.
4. Breng de moer aan en draai deze vast met 5 Nm.

## De handgreep afstellen

De achterhandgreep kan worden afgesteld op 3 posities.

- Ontgrendel de vergrendelknop van het handvat en draai aan het handvat.



1. Giet de helft van de benzine in een schone brandstofbestendige houder.
2. Voeg de volledige hoeveelheid olie toe.
3. Schud het brandstofmengsel.
4. Giet de resterende hoeveelheid benzine in de houder.
5. Schud het brandstofmengsel grondig.



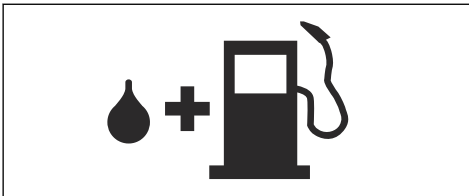
**OPGELET:** Meng maximaal de hoeveelheid brandstof die u nodig hebt voor 1 maand.

## Brandstoftank vullen



**WAARSCHUWING:** Houd u voor uw eigen veiligheid aan de volgende procedure.

1. Stop de motor en laat de motor afkoelen.
2. Maak het gebied rondom de brandstoftankdop goed schoon.

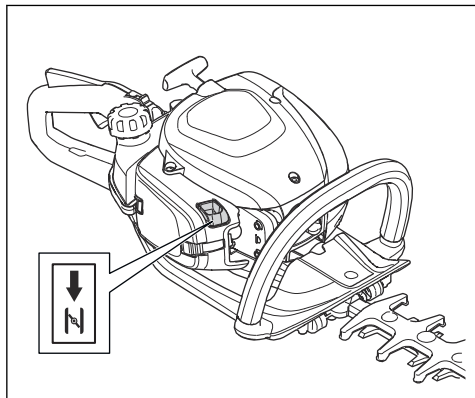


3. Schud de container en zorg ervoor dat de brandstof volledig is gemengd.
4. Draai de brandstoftankdop langzaam los om de druk te laten ontsnappen.
5. Vul de brandstoftank.



## Het product starten met een koude motor

1. Trek de chokehendel in de chokestand.



2. Duw ongeveer 6 keer op de primerbalg van de brandstofpomp totdat de balg wordt gevuld met brandstof. Het is niet nodig het balgie volledig te vullen.
3. Druk de behuizing van het apparaat met uw linkerhand op de grond. Stap niet op het product.
4. Trek langzaam met uw rechterhand aan de startkoordhendel totdat u enige weerstand voelt en trek dan snel en met kracht aan de startkoordhendel.



**WAARSCHUWING:** Wikkel het startkoord niet rond uw hand.



**OPGELET:** Trek het startkoord niet helemaal uit en laat de greep niet los.

5. Blijf aan de startkoordhendel trekken totdat de motor aanslaat en duw vervolgens de chokehendel naar zijn oorspronkelijke stand.



**WAARSCHUWING:** Wanneer de motor start, gaan de bladen draaien.

6. Blijf aan de startkoordhendel trekken totdat de motor start.
7. Druk kort op de gashendel om de motor op het stationaire toerental in te stellen.
8. Duw het gaspedaal geleidelijk in om het motortoerental te verhogen.

9. Zorg ervoor dat de motor soepel loopt.

## Het product starten met een warme motor

1. Druk de behuizing van het apparaat met uw linkerhand op de grond. Stap niet op het product.
2. Trek langzaam met uw rechterhand aan de startkoordhendel totdat u enige weerstand voelt en trek dan snel en met kracht aan de startkoordhendel. Ga door totdat de motor aanslaat.

**Let op:** Raadpleeg *Het product starten met een koude motor op pagina 233* voor meer informatie over het starten van het product.

## Product stoppen

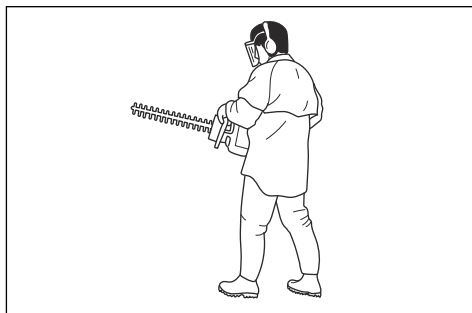
- Zet de stopschakelaar in de stopstand om de motor te stoppen.



**OPGELET:** De stopschakelaar keert automatisch terug naar de bedrijfsstand.

## Het product gebruiken

1. Begin bij de grond en beweeg het product omhoog langs de heg wanneer u de zijkanten snoeit. Zorg ervoor dat de behuizing van het product de heg niet raakt.



**WAARSCHUWING:** Zorg ervoor dat de voorzijde van de snijuitrusting de grond niet raakt.

2. Pas de snelheid aan voor het uitlijnen met de werklast.
3. Houd het product dicht bij uw lichaam voor een stabiele werkpositie.
4. Wees voorzichtig en bedien het product langzaam.

# Onderhoud

## Inleiding

begrepen voordat u onderhoud aan het product gaat uitvoeren.



**WAARSCHUWING:** Zorg dat u het hoofdstuk over veiligheid hebt gelezen en

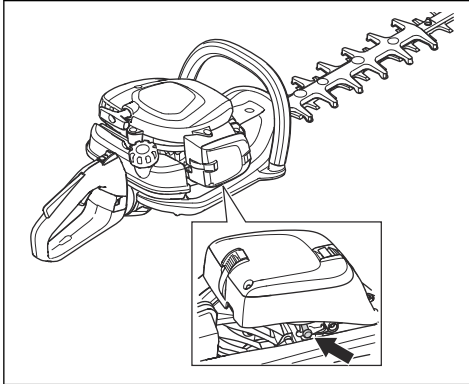
## Onderhoudsschema

Onderhoud	Voor gebruik	na 40 uur	na 100 uur
Reinig het externe oppervlak.		Na elke activiteit.	
Verwijder bladeren, vuil en overtollig smeermiddel van de geluiddemper, uitlaatpijp en motor.		Na elke activiteit.	
Zorg ervoor dat de snijuitrusting niet beweegt bij stationair toerental.	X		
Controleer de stopschakelaar.	X		
Controleer de snijuitrusting en de beschermkap voor de snijuitrusting op beschadigingen of scheuren. Vervang indien beschadigd.	X		
Controleer de handbescherming op beschadigingen en scheuren. Vervang indien beschadigd.	X		
Controleer de gashendelvergrendeling en de gashendel.	X		
Controleer de motor, de brandstoftank en de brandstofleidingen op lekkages.	X		
Draai moeren en bouten aan.	X		
Controleer het brandstoffilter op verontreiniging en de brandstofslang op scheuren en andere defecten. Vervang indien nodig.	X		
Controleer de starter en het startkoord op beschadigingen.		X	
Maak het luchtfilter schoon. Vervang indien nodig.		X	
Controleer de trillingsdempers op beschadigingen en scheuren.		X	
Controleer de bougie, zie <i>Bougie controleren op pagina 235</i> .		X	
Reinig het koelsysteem.		X	
Reinig het externe oppervlak van de carburateur en het gebied er omheen.		X	
Reinig of vervang het vonkenopvangnet.			X
Maak de binnenkant van de brandstoftank schoon.			X
Controleer de bougie.			X
Zorg ervoor dat het tandwielhuis is gevuld met vet.			X

## Stationair toerental afstellen

1. Reinig het luchtfilter en bevestig het luchtfilterdeksel.
2. Start het product, zie *Het product starten met een koude motor op pagina 233*.

3. Draai de stelschroef T rechtsonder tot de snijuitrusting begint te draaien.



4. Draai de stelschroef linksom tot de snijuitrusting stopt.



**WAARSCHUWING:** Als de snijuitrusting niet stopt wanneer u het stationair toerental afstelt, neem dan contact op met uw dichtstbijzijnde servicedealer. Gebruik het product niet voordat het is juist afgesteld of gerepareerd.

**Let op:** Het stationaire toerental is juist wanneer de motor in alle standen soepel draait. Zie *Technische gegevens op pagina 237* voor het aanbevolen stationair toerental.

## Koelsysteem reinigen

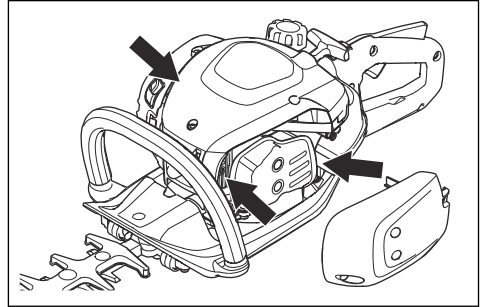
Het koelsysteem zorgt ervoor dat de motor niet te warm wordt. Het koelsysteem omvat de koelvinnen van de cilinder en het starterhuis.



**OPGELET:** De luchtinlaat tussen de brandstoftank en het carter kan gemakkelijk verstopt raken door bladeren. Reinig de luchtinlaat volledig.

1. Maak het koelsysteem wekelijks schoon met een borstel, of vaker indien nodig.

2. Zorg ervoor dat het koelsysteem niet vuil of verstopt is.

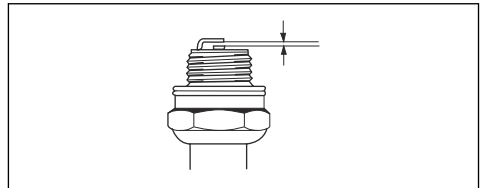


## Bougie controleren



**OPGELET:** Gebruik altijd het juiste bougietype. Een verkeerd type bougie kan schade aan het product veroorzaken.

- Controleer de bougie als de motor weinig vermogen heeft, niet gemakkelijk te starten is of stationair niet goed draait.
- Volg deze instructies om het risico van ongewenst materiaal op de elektroden van de bougie te beperken:
  - a) Zorg ervoor dat het stationair toerental altijd juist is afgesteld.
  - b) Zorg dat het brandstofmengsel correct is.
  - c) Zorg dat het luchtfilter schoon is.
- Maak de bougie schoon als deze vuil is en controleer of de afstand tussen de elektroden correct is, zie *Technische gegevens op pagina 237*.



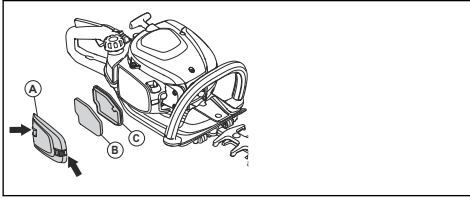
- Vervang de bougie indien nodig.

## Het luchtfilter reinigen

Reinig het luchtfilter regelmatig om vuil en stof te verwijderen. Hiermee voorkomt u een defecte carburateur, startproblemen, vermogensverlies, slijtage van motoronderdelen en een hoger brandstofverbruik dan normaal.

1. Verwijder het luchtfilterdeksel (A).

2. Verwijder het schuimfilter (B) en het viltfilter (C) uit het filterframe.



3. Vervang het viltfilter (C).
4. Reinig het schuimfilter (B) met een warm sopje van water en zeep.

**Let op:** Een luchtfilter dat lange tijd is gebruikt, kan niet volledig worden gereinigd. Vervang het luchtfilter regelmatig en vervang een defect luchtfilter altijd.

5. Zorg dat het schuimfilter (B) droog is.
6. Breng luchtfilterolie aan op het schuimfilter (B). Zie *Olie aanbrengen op het luchtfilter op pagina 236*
7. Reinig het binnenoppervlak van het luchtfilterdeksel (A). Gebruik perslucht of een borstel.

## Olie aanbrengen op het luchtfilter

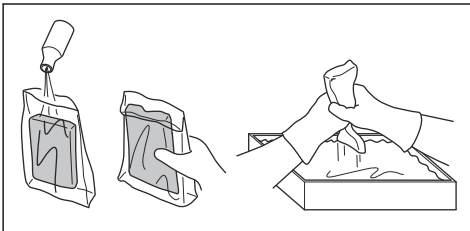


**OPGELET:** Gebruik altijd speciale filterolie van Husqvarna. Gebruik geen andere typen olie.



**WAARSCHUWING:** Draag veiligheidshandschoenen. De olie van het luchtfilter kan huidirritatie veroorzaken.

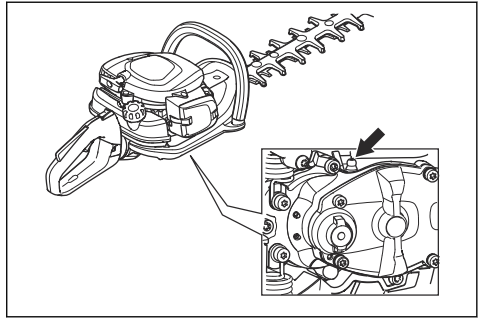
1. Doe het luchtfilter in een plastic zak.
2. Doe de olie in de plastic zak.
3. Wrijf over de plastic zak, zodat de olie gelijkmatig over het luchtfilter wordt verdeeld.
4. Duw de overtollige olie uit het luchtfilter terwijl het in de plastic zak zit.



## Voor het smeren van het tandwielhuis

- Gebruik Husqvarna speciaalvet. Neem voor meer informatie over aanbevolen vet contact op met uw servicedealer.

- Breng vet aan via de smeernippel.



**OPGELET:** Vul het tandwielhuis niet volledig.

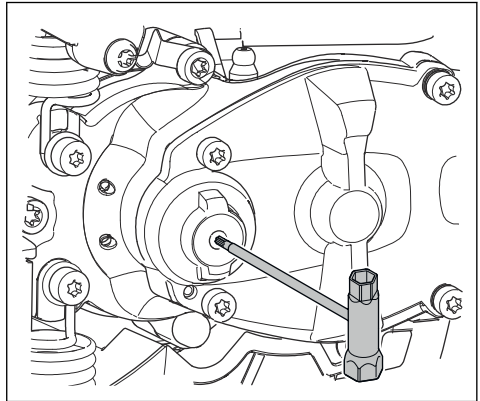
## De messen reinigen en smeren

1. Verwijder ongewenste materialen van de bladen voor en nadat u het product gebruikt.
2. Smeer de bladen voorafgaand aan langdurige opslag.

**Let op:** Neem voor meer informatie over aanbevolen reinigings- en smeermiddelen contact op met uw servicedealer.

## De messen inspecteren

1. Verwijder de kap van het tandwielhuis.
2. Controleer of de messen vrij draaien. Plaats de combinatiesleutel in het tandwielhuis en draai rechtsom en linksom.



3. Controleer de randen van de messen op beschadigingen en vervorming.
4. Gebruik een vijl om bramen op de messen te verwijderen.

## Vervoer, opslag en verwerking

### Transport en opslag

- Laat het product voor opslag altijd afkoelen.
  - Controleer voor opslag en vervoer van het product en de brandstof of er geen lekken of dampen zijn. Vonken of open vuur, bijvoorbeeld van elektrische apparaten of ketels, kunnen tot brand leiden.
  - Gebruik altijd goedgekeurde containers voor opslag en transport van brandstof.
  - Leeg de brandstoftank voorafgaand aan transport of langdurige opslag. De brandstof via een geschikte verwijderingslocatie afvoeren.
- Bevestig de transportbescherming tijdens transport en opslag.
  - Verwijder de bougiekap van de bougie.
  - Bevestig het product tijdens transport. Zorg ervoor dat het niet kan bewegen.
  - Reinig en onderhoud het product voor lange-termijnopslag.

## Technische gegevens

### Technische gegevens

	522HD60X	522HDR60X	522HDR75X
<b>Motor</b>			
Cilinderinhoud, cm <sup>3</sup>	21,7	21,7	21,7
Stationair toerental, rpm	3000	3000	3000
Aanbevolen maximum toerental, omw./min	9200	9200	9200
Maximaal motorvermogen volgens ISO 8893, kW/pk bij tpm	0,6/0,8 bij 7800	0,6/0,8 bij 7800	0,6/0,8 bij 7800
Geluidemper met katalysator	Ja	Ja	Ja
<b>Ontstekingsstelsel</b>			
Bougie	NGK CMR6A	NGK CMR6A	NGK CMR6A
Elektrodenafstand, mm	0,5	0,5	0,5
<b>Brandstof</b>			
Inhoud brandstoftank, l/cm <sup>3</sup>	0,45/450	0,45/450	0,45/450
<b>Gewicht</b>			
Zonder brandstof, in kg	4,9	5,0	5,2
<b>Geluidsemissies <sup>46</sup></b>			
Geluidsvermogeniveau, gemeten dB(A)	101	101	101
Geluidsvermogeniveau, gegarandeerd L <sub>WA</sub> dB (A)	102	102	102

<sup>46</sup> Geluidsemissie naar de omgeving gemeten als geluidsvermogen (L<sub>WA</sub>) volgens EG-richtlijn 2000/14/EG. Het gerapporteerde geluidsvermogeniveau voor de machine is gemeten met de originele snijuitrusting die het hoogste niveau geeft. Het verschil tussen gegarandeerd en gemeten geluidsvermogen is dat het gegarandeerde geluidsvermogen ook spreiding in het meetresultaat omvat en de verschillen tussen de verschillende machines van hetzelfde model conform Richtlijn 2000/14/EG.

	522HD60X	522HDR60X	522HDR75X
<b>Geluidsniveau</b> <sup>47</sup>			
Equivalent geluidsdruk niveau bij het oor van de gebruiker, gemeten volgens EN ISO 10517, dB(A)	93	93	93
<b>Trillingsniveau</b> <sup>48</sup>			
Equivalent trillingsniveaus ( $a_{hv,eq}$ ) in de handgrepen, gemeten volgens EN ISO 10517, m/s <sup>2</sup> :			
Voor/achter, m/s <sup>2</sup>	2,7/1,2	2,8/1,3	2,1/2,2
<b>Messen</b>			
Type	Dubbelzijdig	Dubbelzijdig	Dubbelzijdig
Maaihoogte, mm	600	600	750
Snijnsnelheid, sneden/min	4400	3200	3200

<sup>47</sup> De gerapporteerde gegevens voor het geluidsdruk niveau vertonen een typische statistische spreiding (standaardafwijking) van 1 dB (A).

<sup>48</sup> De gerapporteerde gegevens voor een trillingsniveau vertonen een typische statistische spreiding (standaardafwijking) van 1 m/s<sup>2</sup>.

---

# Verklaring van overeenstemming

---

## EU-verklaring van overeenstemming

Wij, **Husqvarna AB**, SE-561 82 Huskvarna, Zweden, tel: +46-36-146500, verklaren onder onze alleenverantwoordelijkheid dat het product:

<b>Beschrijving</b>	Heggenschaar
<b>Merk</b>	Husqvarna
<b>Type / model</b>	522HD60X, 522HDR60X, 522HDR75X
<b>Identificatie</b>	Serienummers vanaf 2022 en verder

volledig voldoet aan de volgende EU-richtlijnen en -regelgeving:

<b>Verordening</b>	<b>Beschrijving</b>
2006/42/EG	"betreffende machines"
2014/30/EU	"betreffende elektromagnetische compatibiliteit"
2000/14/EG	"betreffende de geluidsemissies in het milieu"
2011/65/EU	"inzake beperking van het gebruik van bepaalde gevaarlijke stoffen in elektrische en elektronische apparatuur"

en dat de volgende normen en/of technische specificaties zijn toegepast: EN ISO 12100:2021, CISPR 12: 2009, EN ISO 10517:2009/A1:2013, EN IEC 63000:2018.

RISE SMP Svensk Maskinprovning AB heeft namens Husqvarna AB een niet-verplicht typeonderzoek uitgevoerd. Certificaatnummer: SEC/18/2518.

RISE SMP Svensk Maskinprovning AB, heeft een verklaring van overeenstemming met de Richtlijn van de Raad van 8 mei 2000 "betreffende geluidsemissie door materieel voor gebruik buitenshuis" 2000/14/EG afgegeven. Certificaatnummers: 01/094/026-522HD60X, 01/094/027-522HDR60X, 522HDR75X.

Voor informatie over geluidsemissies, zie *Technische gegevens op pagina 237*.

Huskvarna, 2022-05-09

Stefan Holmberg, Directeur R&D,  
Technologiemanagement, Husqvarna AB  
Verantwoordelijk voor technische documentatie

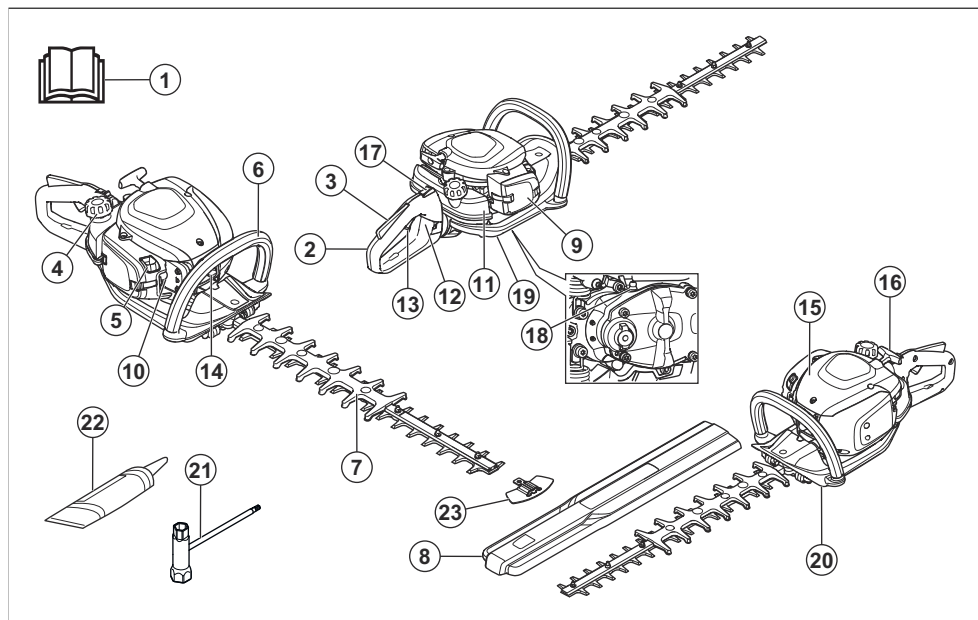


# INNHold

Innledning.....	240	Transport, oppbevaring og avhending.....	251
Sikkerhet.....	241	Tekniske data.....	251
Drift.....	246	Samsvarserklæring.....	253
Vedlikehold.....	248		

## Innledning

### Produktoversikt



- |                                 |                         |
|---------------------------------|-------------------------|
| 1. Bruksanvisning               | 17. Stoppbryter         |
| 2. Bakre håndtak                | 18. Smørenippel         |
| 3. Gassregulatorsperre          | 19. Gir                 |
| 4. Drivstofflokk                | 20. Håndbeskyttelse     |
| 5. Chokeregulator               | 21. Kombinasjonsnøkkel  |
| 6. Fremre håndtak               | 22. Tube med fett       |
| 7. Blad og bladbeskyttelse      | 23. Bladtuppbeskyttelse |
| 8. Transportbeskyttelse         |                         |
| 9. Luffilterlokk                |                         |
| 10. Pumpe (blære)               |                         |
| 11. Drivstofftank               |                         |
| 12. Håndtakslås                 |                         |
| 13. Gassregulator               |                         |
| 14. Tennplugghette og tennplugg |                         |
| 15. Sylinderdeksel              |                         |
| 16. Håndtak på startsnoren      |                         |

### Produktbeskrivelse

Produktet er en heksaks med forbrenningsmotor.

### Bruksområder

Bruk produktet å kappe grener og kvister. Ikke bruk produktet til andre oppgaver.



## Symboler på produktet



Stopp.



Vær forsiktig, og bruk produktet riktig. Dette produktet kan føre til alvorlig personskade eller død for operatøren eller andre.



Les nøye gjennom bruksanvisningen, og sørg for at du har forstått instruksjonene før bruk.



Bruk godkjent hørselsvern og godkjent øyevern.



Bruk godkjente vernehansker.



Bruk kraftige, sklisikre støvler.

# T

Justeringsskrue for tomgang.

# H

Nål for høyt turtall.

# L

Nål for lavt turtall.



Støyutslipp til omgivelsene i henhold til EU-direktiv 2000/14/EF og New South Wales-forskriften «Protection of the Environment Operations (Noise Control) Regulation 2017». Du finner informasjon om støyutslipp på maskinetiketten og i kapittelet Tekniske data.

# CE

Dette produktet samsvarer med gjeldende EC-direktiver.

# UKCA

Dette produktet samsvarer med gjeldende britiske direktiver.

yyyywwxxxx

Typeskiltet viser serienummeret. **yyyy** er produksjonsåret, og **ww** er produksjonsuken.

**Merk:** Øvrige symboler/klistremerker angitt på produktet gjelder sertifiseringskrav for visse markeder.

## Euro V-utslipp



**ADVARSEL:** Tukling med motoren opphever EU-type-godkjenningen til dette produktet.

## Sikkerhet

### Sikkerhetsdefinisjoner

Advarsler, oppfordringer og merknader brukes for å understreke spesielt viktige deler av bruksanvisningen.



**ADVARSEL:** Brukes hvis det er fare for personskade eller død for brukeren eller andre personer om instruksjonene i håndboken ikke følges.



**OBS:** Brukes hvis det er fare for skade på produktet, annet materiell eller nærliggende områder om instruksjonene i håndboken ikke følges.

**Merk:** Brukes for å gi mer nødvendig informasjon for en spesifikk situasjon.

### Generelle sikkerhetsinstruksjoner



**ADVARSEL:** Les de følgende advarselinstruksjonene før du bruker produktet.

- Et produkt som brukes feil eller uaktsomt kan være et farlig redskap, som kan forårsake alvorlige, til og med livstruende skader. Det er meget viktig at du leser og forstår innholdet i denne bruksanvisningen.
- Dette produktet danner et elektromagnetisk felt når det er i bruk. Dette feltet kan under visse forhold forstyrre aktive eller passive medisinske implantater.

For å redusere faren for forhold som kan føre til alvorlig eller livstruende skade, anbefaler vi at personer med medisinske implantater rådfører seg med sin lege og produsenten av det medisinske implantatet før dette produktet tas i bruk.

- Overeksponering for vibrasjoner kan føre til blodkar- eller nerveskader hos personer som har blodsirkulasjonsforstyrrelser. Oppsøk lege hvis du opplever fysiske symptomer som kan relateres til overeksponering for vibrasjoner. Eksempel på slike symptomer er doving, manglende følelse, «kiling», «stikk», smerte, manglende eller redusert styrke, forandringer i hudens farge eller overflate. Disse symptomene opptrer vanligvis i fingrer, hender eller håndledd. Risikoen kan øke ved lave temperaturer.
- Når du kommer ut for en situasjon som gjør deg usikker på fortsatt bruk, skal du rådføre deg med en ekspert. Henvend deg til din forhandler eller ditt serviceverksted. Unngå all bruk som du ikke føler deg kvalifisert til.
- Husk at brukeren er ansvarlig for ulykker eller faren som rammer andre mennesker eller deres eiendom.
- La aldri andre bruke produktet før du har forsikret deg om at de har forstått innholdet i bruksanvisningen.
- La aldri barn bruke eller oppholde seg i nærheten av produktet. Eitersom produktet er utstyrt med tilbakefjærende stopp-bryter og kan startes med lav hastighet og kraft på starthåndtaket, kan selv små barn under visse omstendigheter oppnå den kraft som trengs for å starte maskinen. Dette kan medføre risiko for alvorlig personskade. Ta derfor av tennpluggkabelen når produktet ikke er under oppsikt.
- Oppbevar produktet utilgjengelig for barn.
- Bruk aldri produktet hvis du er trett, har drukket alkohol eller bruker medisiner som kan påvirke syn, vurderingsevne eller koordinasjon.
- Bruk aldri et defekt produkt. Følg vedlikeholds-, kontroll- og serviceinstruksjonene i denne bruksanvisningen. Noen vedlikeholds- og servicetiltak må utføres av erfarne og kvalifiserte spesialister. Se instruksjonene under overskriften Vedlikehold.
- Bruk aldri et produkt som er modifisert slik at det ikke lenger er i samsvar med originalutførelsen.

## Sikkerhetsinstruksjoner for drift



**ADVARSEL:** Les de følgende advarelinstruksjonene før du bruker produktet.

- Bruk aldri produktet i ekstreme klimaforhold som sterk kulde eller meget varmt og/eller fuktig klima.
- Feil på knivene kan øke risikoen for ulykker.
- Påse at ingen kommer nærmere enn 15 meter unna mens arbeidet pågår.

- Pass på omgivelsene og forviss deg om at det ikke er fare for at mennesker eller dyr kan komme i kontakt med skjæreutstyr.
- Inspiser arbeidsområdet. Fjern gjenstander som kan bli slynget av gårde.
- Pass alltid på at du har en sikker og stødig arbeidsstilling.
- La aldri produktet stå uten tilsyn når motoren er i gang.
- Påse at ikke hender og føtter kommer nær klippeaggregatet når motoren er i gang.
- Hvis noe skulle sette seg fast i knivene under arbeidets gang, skal motoren stanses og stanse helt før knivene rengjøres. Kople tennpluggkabelen fra tennpluggen. Se *Slik undersøker du bladet på side 251*.
- Når motoren er slått av, må du holde hender og føtter unna klippeaggregatet helt til det har stanset helt.
- Se opp for grenstumper som kan slynges i vei under klippingen.
- Vær alltid oppmerksom på varsel signaler eller tilrop ved bruk av hørselsvern. Ta alltid av hørselvernet så snart motoren er stanset.
- Arbeid aldri på en stige, skammell eller stå på noe annet som ikke er ordentlig sikret.
- Bruk alltid begge hendene til å holde i produktet. Hold produktet foran kroppen.
- Hvis du treffer en gjenstand eller det oppstår kraftige vibrasjoner, må produktet stanses øyeblikkelig. Kople tennpluggkabelen fra tennpluggen. Kontroller at produktet ikke er skadet. Reparer eventuelle skader.
- Påse at tennpluggkabelen og tenningskabelen er uskadede for å unngå fare for elektrisk støt.
- Kontroller at alle muttere og skruer er trukket ordentlig til.
- Kontroller at giret er godt smurt. Se *Slik smører du girhuset på side 250*.
- Girhuset blir varmt når produktet har vært i bruk. For å unngå brannskader må du ikke ta på giret.
- Samtlige deksler og beskyttelser må være montert før start.
- Transportbeskyttelsen skal alltid settes på klippeaggregatet når produktet ikke brukes.

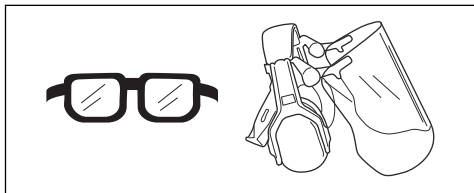
## Personlig verneutstyr



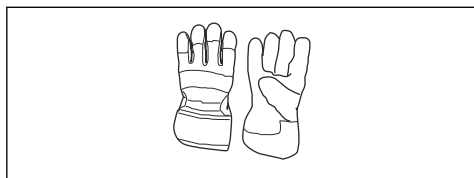
**ADVARSEL:** Les de følgende advarelene før du bruker produktet.

- Benytt alltid godkjent verneutstyr når du bruker produktet. Verneutstyr kan aldri fullstendig forhindre skade, men det reduserer skadeomfanget hvis ulykken inntreffer. Spør forhandleren din om hjelp til å velge riktig utstyr.

- Bruk godkjent hørselsvern med tilstrekkelig lydreduserende virkning. Langvarig eksponering overfor støy kan gi varige hørselsskader.
- Bruk godkjent øyevern. Ved bruk av visir skal det også brukes godkjente vernebriller. Godkjente vernebriller er slike som tilfredsstiller standard ANSI Z87.1 for USA eller EN 166 for EU-land.



- Bruk hansker når det er nødvendig, for eksempel når du fester, undersøker eller rengjør skjæretstyret.



- Bruk sklisikre og solide støvler eller sko.



- Bruk klær av et slitesterkt materiale. Bruk alltid tykke langbukser og lange ermer. Unngå bruk av allfor vide klær som lett henger seg fast i kvister og grener. Ikke bruk smykker, kortbukser eller sandaler, og ikke gå barbert. Sett håret opp over skuldernivå.
- Ha førstehjelpsutstyr for hånden.



## Sikkerhetsutstyr på produktet



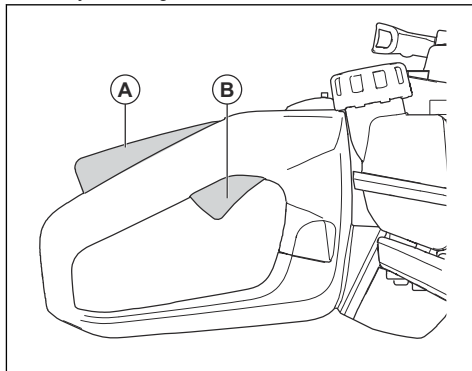
**ADVARSEL:** Les de følgende advarelinstruksjonene før du bruker produktet.

- Ikke bruk produktet dersom sikkerhetsstyret er defekt.

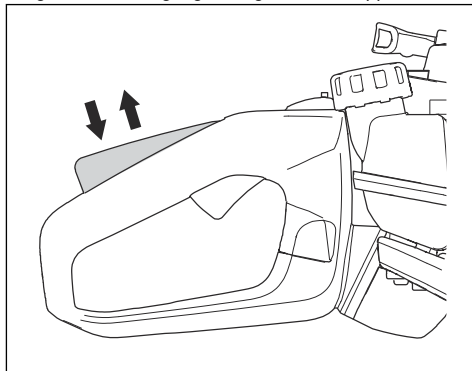
- Utfør regelmessig kontroll av sikkerhetsstyret. Ta kontakt med ditt Husqvarna-serviceverksted, dersom sikkerhetsstyret er defekt.

## Slik kontrollerer du gassregulatorsperreren

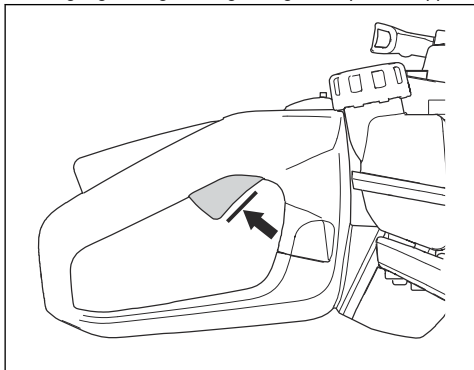
1. Kontroller at gassregulatorsperreren (A) og gassregulatoren (B) kan bevege seg fritt, og at returfjæren fungerer som den skal.



2. Trykk på gassregulatorsperreren, og kontroller at den går tilbake til utgangsstillingen når du slipper den.



3. Kontroller at gassregulatoren er låst i tomgangsstillingen når gassregulatorsperren slippes.



4. Start produktet og gi full gass.
5. Slipp gassregulatoren, og forsikre deg om at bladet stopper og forblir i ro.



**ADVARSEL:** Hvis bladet beveger seg når gassregulatoren står i tomgangsstilling, må forgasserens tomgangsturtall justeres. Se *Slik justerer du tomgangsturtallet på side 249.*

#### Slik kontrollerer du stoppbryteren

1. Start motoren.
2. Skyv stoppbryteren til stoppstillingen, og sjekk at motoren stopper.



**ADVARSEL:** Stoppbryteren går automatisk tilbake til startstillingen. For å hindre utilsiktet start må du fjerne tennpluggetten fra tennpluggen når du monterer eller utfører vedlikehold på produktet.

#### Slik kontrollerer du håndbeskyttelsen

Håndbeskyttelsen forhindrer skade forårsaket av knivene.

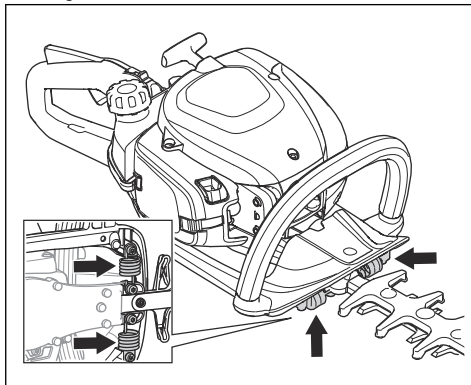
1. Stopp motoren.
2. Kontroller at håndbeskyttelsen er plassert riktig.
3. Kontroller håndbeskyttelsen for skader.

#### Slik kontrollerer du avvibringssystemet

Avvibringssystemet reduserer vibrasjonene i håndtakene. Avvibringsenhetene fungerer som et skille mellom produktkroppen og håndtaket.

1. Utfør en visuell sjekk etter deformeringer og skader.

2. Kontroller at de vibrasjonsdempende enhetene er riktig festet.



#### Slik kontrollerer du lyddemperen



**ADVARSEL:** Ikke bruk produktet uten lyddemper eller med en defekt lyddemper. En defekt lyddemper kan øke støynivået og faren for brann. Ikke bruk produktet uten gnistfangernett eller med en ødelagt gnistfangernett. Ved eventuelle skader på gnistfangernettet må det byttes ut.



**ADVARSEL:** Lyddempere blir svært varme under og etter bruk, også på tomgang.



**OBS:** Hvis gnistfangernettet ofte blir tett, kan dette være et tegn på redusert katalysatorytelse. Kontakt serviceforhandleren for kontroll av lyddemperen. Enheten overopphetes hvis gnistfangernettet er tett, med skader på sylinder og stempel som følge.

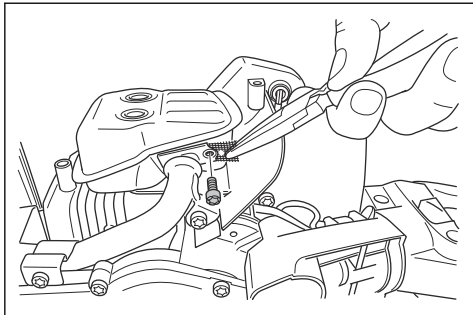


**ADVARSEL:** Lyddemperens indre overflater inneholder kjemikalier som kan forårsake kreft. Vær forsiktig så du ikke berører disse elementene dersom lyddemperen har blitt skadet.

Lyddemperen begrenser støynivået og sender avgassene bort fra brukeren. En lyddemper med katalysator gir lavere utslipp av skadelige avgasser.

1. Stopp motoren.
2. Utfør en visuell sjekk etter skader og deformeringer.
3. Kontroller at lyddemperen er koblet til produktet på riktig måte.

#### 4. Rengjør gnistfangernettet med en stålborste.



#### Slik sjekker du bladet og bladbeskyttelsen

Den ytre delen av bladet fungerer som en bladbeskyttelse. Bladbeskyttelsen hindrer kuttskader.

1. Stopp motoren, og kontroller at bladet stopper.
2. Fjern tennpluggetten fra tennpluggen.
3. Ta på deg vernehansker.
4. Kontroller at bladet og bladbeskyttelsen ikke er skadet eller bøyd. Bytt alltid ut et skadet eller bøyd blad eller en skadet bladbeskyttelse.
5. Kontroller at skruene i bladet og bladbeskyttelsen sitter stramt.

#### Drivstoffsikkerhet



**ADVARSEL:** Les de følgende advarelsene før du bruker produktet.

- Ikke start produktet hvis det er drivstoff eller motorolje på produktet. Fjern uønsket drivstoff/olje, og la produktet tørke.
- Skift klær umiddelbart hvis du søler drivstoff på klærne.
- Ikke få drivstoff på kroppen, det kan føre til personskade. Bruk såpe og vann for å fjerne drivstoff hvis du får drivstoff på kroppen.
- Ikke start produktet hvis motoren lekker. Kontroller motoren for lekkasjer med jevne mellomrom.
- Vær forsiktig med drivstoff. Drivstoff er brannfarlig, og avgassene er eksplosive og kan forårsake personskade eller død.
- Ikke pust inn bensindamp, det kan føre til personskade. Pass på at det er tilstrekkelig luftstrøm.

- Du må ikke røyke i nærheten av drivstoff eller motoren.
- Ikke sett varme gjenstander i nærheten av drivstoff eller motoren.
- Ikke fyll på drivstoff når motoren er på.
- Kontroller at motoren er avkjølt før du fyller på drivstoff.
- Åpne tanklokket sakte og slipp ut trykket forsiktig før du fyller.
- Ikke fyll drivstoff på motoren innendørs. En utilstrekkelig luftstrøm kan føre til personskade eller dødsfall på grunn av kveling eller karbonmonoksidforgiftning.
- Trekk til drivstofflokket helt. Hvis drivstofflokket ikke er strammet, kan det utgjøre en risiko for brann.
- Flytt produktet minst 3 m (10 fot) fra stedet der du fylte tanken, før du starter det.
- Fyll ikke drivstofftanken helt opp. Varme fører til at drivstoffet utvider seg. Lad det være litt plass øverst i drivstofftanken.

#### Sikkerhetsinstruksjoner for vedlikehold



**ADVARSEL:** Les de følgende advarelsinstruksjonene før du bruker produktet.

- Stopp motoren, og kontroller at skjæreutstyret stopper. La produktet bli avkjølt før du utfører vedlikehold.
- Koble fra tennpluggetten før du utfører vedlikehold.
- Eksosen fra motoren inneholder karbonmonoksid, en luktfri, giftig og svært farlig gass som kan forårsake dødsfall. Ikke bruk produktet innendørs eller i lukkede rom.
- Motorens avgasser er varme og kan inneholde gnister. Ikke bruk produktet innendørs eller i nærheten av brennbare materialer.
- Tilbehør og endringer på produktet som ikke er godkjent av produsenten, kan føre til alvorlig personskade eller dødsfall. Ikke foreta endringer av produktet. Bruk alltid originalt tilbehør.
- Hvis vedlikeholdet ikke utføres riktig og regelmessig, øker faren for personskade og skade på produktet.
- Bare utfør vedlikehold som er anbefalt i denne bruksanvisningen. La et godkjent Husqvarna-serviceverksted utføre all annen service.
- La et godkjent Husqvarna-serviceverksted utføre service på produktet regelmessig.
- Skift ut alle skadde, slitte eller ødelagte deler.

## Drift

### Innledning



**ADVARSEL:** Les og forstå kapitlet om sikkerhet før du bruker produktet.

### Drivstoff

Dette produktet har en totaktsmotor.



**OBS:** Feil type drivstoff kan føre til skader på motoren. Bruk en blanding av bensin og totaktsolje.

### Forhåndsblandet drivstoff

- Bruk Husqvarna forhåndsblandet alkylatdrivstoff for å få best mulig ytelse og forlengelse av motorens levetid. Drivstoffet inneholder færre skadelige stoffer sammenlignet med vanlig drivstoff, noe som reduserer skadelige avgasser. Mengden rester etter forbrenning er lavere med dette drivstoffet, noe som holder motoren ren.

### Slik blander du drivstoff

#### Bensin

- Bruk kvalitetsbensin av blyfri type med maksimalt 10 prosent etanolinnhold.



**OBS:** Ikke bruk bensin med et oktantal som er mindre enn 90 RON/87 AKI. Bruk av lavere oktantal kan føre til motorbanking, noe som forårsaker motorskader.

#### Totaktsolje

- For å få best mulig resultat og ytelse bør du bruke Husqvarna-totaktsolje.
- Hvis det ikke er mulig å få tak i Husqvarna-totaktsolje, kan du bruke en totaktsolje av høy kvalitet for luftkjølte motorer. Snakk med servicehandleren din for å velge riktig olje.



**OBS:** Bruk ikke totaktsolje beregnet på vannkjølte påhengsmotorer, såkalt outboardoil. Ikke bruk olje for firetaktsmotorer.

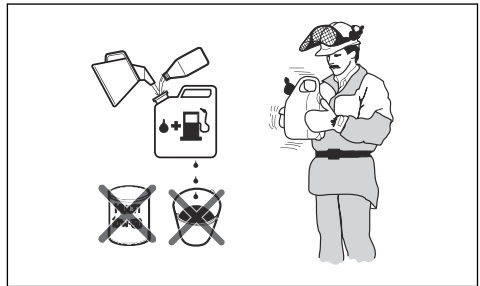
### Blande bensin og totaktsolje

Bensin, liter	Totaktsolje, liter
	2 % (50:1)

5	0,10
10	0,20
15	0,30
20	0,40



**OBS:** Små feil kan påvirke blandingsforholdet drastisk når du blander små mengder drivstoff. Mål oljemengden som skal blandes, svært nøyaktig for å sikre at du får riktig blandingsforhold.



1. Fyll halve drivstoffmengden i en ren beholder for drivstoff.
2. Tilsett all oljen.
3. Rist drivstoffblandingen.
4. Fyll resten av bensinen på beholderen.
5. Rist drivstoffblandingen forsiktig.



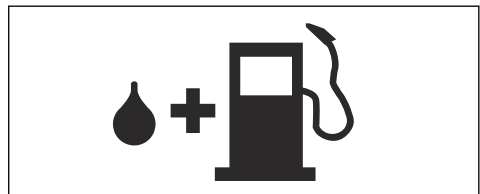
**OBS:** Ikke bland drivstoff for mer enn én måned om gangen.

### Slik fyller du drivstofftanken



**ADVARSEL:** Utfør følgende prosedyren for din egen sikkerhet.

1. Stopp motoren, og la motoren bli avkjølt.
2. Tørk rent rundt drivstofflokket.



- Rist beholderen, og forsikre deg om at drivstoffet er helt blandet.
- Åpne drivstofflokket sakte for å slippe ut trykket.
- Fyll drivstofftanken.



**OBS:** Kontroller at det ikke er for mye drivstoff i drivstofftanken. Drivstoffet utvides når det blir varmt.

- Trekk forsiktig til drivstofflokket.
- Rengjør drivstoffsøl på og rundt produktet.
- Flytt produktet minst tre meter bort fra drivstoffkilden og stedet der du fylte drivstoff, før du starter motoren.

**Merk:** Hvis du vil finne ut hvor drivstofftanken er på produktet, kan du se *Produktoversikt på side 240*.

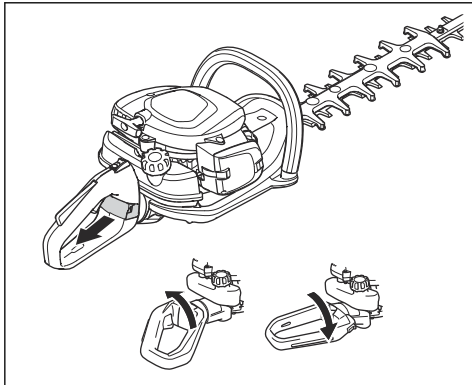
## Slik monterer du bladtuppbeskyttelsen

- Fjern mutteren og bolten på bladtuppen.
- Fest bladtuppbeskyttelsen til bladtuppen.
- Monter bolten, og trekk til med et moment på 7 Nm.
- Sett på mutteren, og trekk til med et moment på 5 Nm.

## Slik justerer du håndtaket

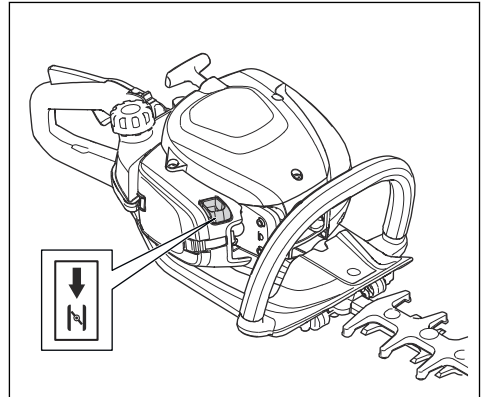
Det bakre håndtaket kan justeres til tre stillinger.

- Løsne håndtakslåsen, og vri håndtaket.



## Slik starter du produktet når motoren er kald

- Trekk chokehendelen til choke-stillingen.



- Trykk på pumpen omtrent seks ganger eller til drivstoffet begynner å fylle blæren. Det er ikke nødvendig å fylle blæren helt.
- Hold produktet på bakken med venstre hånd. Ikke tråkk på produktet.
- Dra forsiktig i startsnoren med høyre hånd til du føler litt motstand. Dra deretter raskt i startsnoren med kraft.



**ADVARSEL:** Surr aldri startsnoren rundt hånden.



**OBS:** Ikke trekk startsnoren helt ut, og ikke slipp håndtaket på startsnoren.

- Fortsett å trekke i startsnorhåndtaket til motoren starter, og skyv deretter chokehendelen til sin opprinnelige stilling.



**ADVARSEL:** Bladet beveger seg når motoren starter.

- Fortsett å trekke i startsnorhåndtaket til motoren starter.
- Trykk inn og slipp gassregulatoren for å stille inn motoren på tomgang.
- Skyv gradvis på gassregulatoren for å øke motorens turtall.
- Kontroller at motoren går jevnt.

## Slik starter du produktet når motoren er varm

- Hold produktet på bakken med venstre hånd. Ikke tråkk på produktet.

2. Dra forsiktig i startsnoren med høyre hånd til du føler litt motstand. Dra deretter raskt i startsnoren med kraft. Fortsett til motoren starter.

**Merk:** Hvis du vil ha mer informasjon om hvordan du starter produktet, kan du se *Slik starter du produktet når motoren er kald på side 247*.

## Slik stopper du produktet

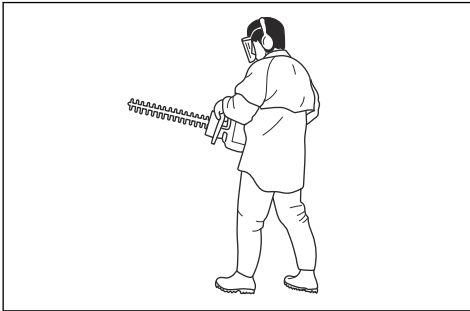
- Flytt stoppbryteren til stopposisjonen for å stoppe motoren.



**OBS:** Stoppbryteren går automatisk tilbake til driftstillingen.

## Slik bruker du produktet

1. Når du klipper sidene på hekken, er det lurt å begynne nærme bakken og flytte produktet opp langs siden av hekken. Pass på at produktkroppen ikke kommer i kontakt med hekken.



## Vedlikehold

### Innledning



**ADVARSEL:** Les og forstå kapittelet om sikkerhet før du utfører vedlikehold på produktet.

### Vedlikeholdsskjema

Vedlikehold	Før bruk	Etter 40 timer	Etter 100 timer
Rengjør de utvendige overflatene.		Etter hver bruk.	
Rengjør lyddempere, avgassrøret og motoren for løv, smuss og uønsket smøremiddel.		Etter hver bruk.	
Kontroller at skjæreutstyret ikke går på tomgang.	X		
Kontroller stoppbryteren.	X		



**ADVARSEL:** Sørg for at tuppen av skjæreutstyret ikke kommer i kontakt med bakken.

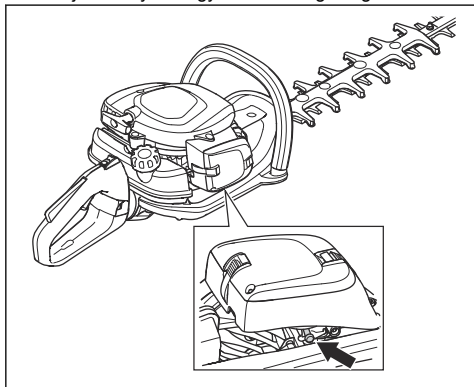
2. Juster turtallet etter arbeidsbelastningen.
3. Hold produktet nær kroppen for å ha en stabil arbeidsposisjon.
4. Vær forsiktig, og bruk produktet langsomt.



Vedlikehold	Før bruk	Etter 40 timer	Etter 100 timer
Undersøk skjæreutstyret og beskyttelsen for skjæreutstyret for skader eller sprekker. Skift ut utstyret hvis det er skadet.	X		
Undersøk håndbeskyttelsen for skader og sprekker. Skift ut utstyret hvis det er skadet.	X		
Utfør en kontroll av gassregulatorsperren og gassregulatoren.	X		
Undersøk motoren, drivstofftanken og drivstofflinjene for lekkasjer.	X		
Trekk til muttere og skruer.	X		
Kontroller at drivstoffilteret ikke er forurenset eller at drivstoffslangen har sprekker eller andre feil. Skift om nødvendig.	X		
Undersøk starteren og startsnoren for skader.		X	
Rengjør luftfilteret. Skift ut om nødvendig.		X	
Undersøk de vibrasjonsdempende enhetene for skader og sprekker.		X	
Undersøk tennpluggen. Se <i>Kontrollere tennpluggen på side 250</i> .		X	
Rengjør kjølesystemet.		X	
Rengjør utsiden av forgasseren og området rundt den.		X	
Rengjør eller bytt ut gnistfangernetet.			X
Rengjør de indre overflatene på drivstofftanken.			X
Kontroller tennpluggen.			X
Sørg for at girhuset er fylt med fett.			X

## Slik justerer du tomgangsturtallet

1. Rengjør luftfilteret, og fest luftfilterdekselet.
2. Start produktet. Se *Slik starter du produktet når motoren er kald på side 247*.
3. Vri justeringsskruen for tomgang (T) med urviseren til skjæreutstyret begynner å bevege seg.



4. Vri justeringsskruen for tomgang mot urviseren til skjæreutstyret stanser.



**ADVARSEL:** Hvis skjæreutstyret ikke stopper når du juster tomgangsturtallet, må du kontakte nærmeste serviceverksted. Ikke bruk produktet før det er riktig justert eller reparert.

**Merk:** Tomgangsturtallet er korrekt når motoren går jevnt i alle stillinger. Se *Tekniske data på side 251* for å finne anbefalt tomgangsturtall.

## Slik rengjør du kjølesystemet

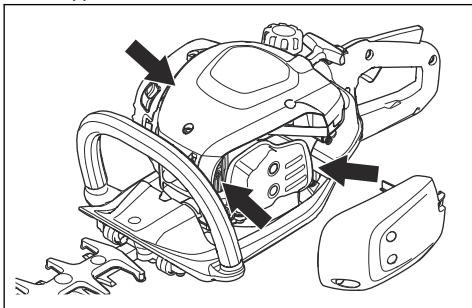
Kjølesystemet holder motortemperaturen nede. Kjølesystemet inkluderer kjøleflensene på sylindren og startmotorhuset.



**OBS:** Luftinntaket mellom drivstofftanken og veivhuset kan fort bli tilstoppet av løv. Rengjør luftinntaket helt.

1. Rengjør kjølesystemet med en børste ukentlig, eller oftere ved behov.

2. Kontroller at kjølesystemet ikke er skittent eller tilstoppet.

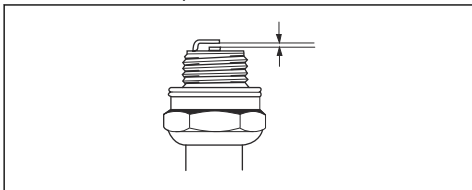


## Kontrollere tennpluggen



**OBS:** Bruk alltid anbefalt type tennplugg. Feil tennpluggtype kan føre til skade på produktet.

- Undersøk tennpluggen hvis motorens effekt er for lav, ikke er enkel å starte eller ikke fungerer riktig på tomgang.
- Følg disse instruksjonene for å redusere risikoen for uønsket materiale på tennpluggenes elektroder:
  - a) Pass på at tomgangsturtallet er riktig justert.
  - b) Pass på at drivstoffblandingen er riktig.
  - c) Kontroller at luftfilteret er rent.
- Hvis tennpluggen er skitten, må du rengjøre den og samtidig kontrollere at elektrodeavstanden er riktig. Se *Tekniske data på side 251*.



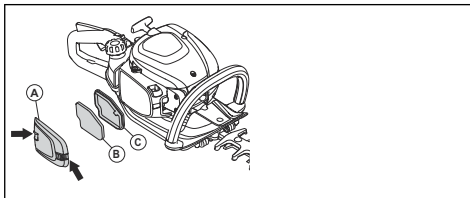
- Skift tennpluggen når det er nødvendig.

## Slik rengjør du luftfilteret

Fjern skitt og støv fra luftfilteret jevnlig. Dette forhindrer forgasserforstyrrelser, startproblemer, tap av motoreffekt, slitasje på motordelene og større drivstofforbruk enn vanlig.

1. Ta av luftfilterdekselet (A).

2. Fjern skumfilteret (B) og filtfilteret (C) fra filterrammen.



3. Skift ut filtfilteret (C).
4. Rengjør skumfilteret (B) med varmt såpevann.

**Merk:** Et luftfilter som brukes i lang tid, blir aldri helt rent. Skift luftfilteret regelmessig, og skift alltid ut et defekt luftfilter.

5. Kontroller at skumfilteret (B) er tørt.
6. Påfør luftfilterolje på skumfilteret (B). Se *Slik påfører du olje på luftfilteret på side 250*
7. Rengjør den indre overflaten til luftfilterdekselet (A). Bruk trykkluft eller en børste.

## Slik påfører du olje på luftfilteret

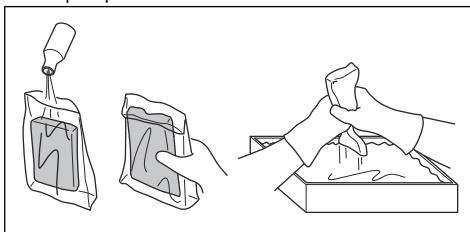


**OBS:** Bruk alltid Husqvarna spesiell luftfilterolje. Ikke bruk andre typer olje.



**ADVARSEL:** Ta på deg vernehansker. Luftfilterolje kan føre til hudirritasjon.

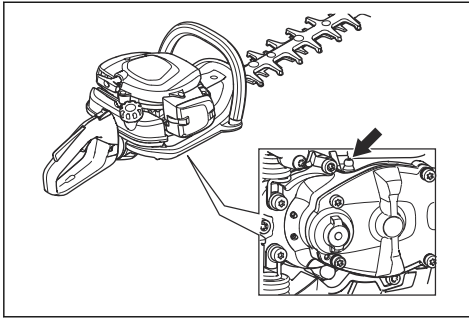
1. Plasser luftfilteret i en plastpose.
2. Hell oljen i plastposen.
3. Klem på plastposen for å fordele oljen likt på luftfilteret.
4. Skyv den uønskede oljen ut av luftfilteret mens det er i plastposen.



## Slik smører du girhuset

- Bruk Husqvarna spesialfett. Ta kontakt med serviceforhandleren din for å få mer informasjon om anbefalt fett.

- Påfør fett gjennom smørerippelen.



**OBS:** Ikke fyll girhuset helt.

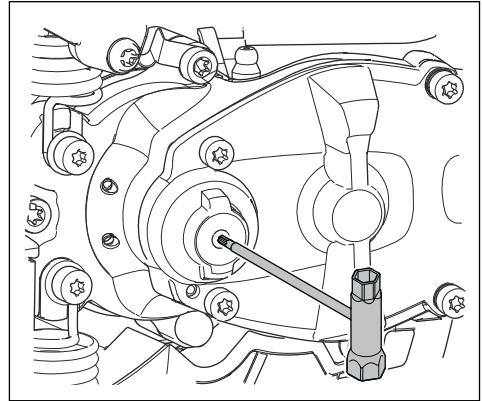
## Slik rengjør og smører du bladet

1. Rengjør uønsket materiale fra bladet før og etter bruk av produktet.
2. Smør bladet før lang tids oppbevaring.

**Merk:** Ta kontakt med serviceforhandleren din for å få mer informasjon om anbefalt rengjørings- og smøremiddel.

## Slik undersøker du bladet

1. Ta av lokket på girhuset.
2. Kontroller at bladet beveger seg fritt. Sett kombinasjonsnøkkelen i girhuset og dreii med og mot klokken.



3. Undersøk eggene på bladet for skader og deformering.
4. Bruk en fil for å fjerne ujevnheter på bladet.

## Transport, oppbevaring og avhending

### Transport og oppbevaring

- La alltid produktet kjøles ned før det settes bort.
- Før oppbevaring og transport av produktet og drivstoff, må du kontrollere at det ikke finnes lekkasjer eller gasser. Gnister eller åpen ild, for eksempel fra elektriske apparater eller varmekjeler, kan starte en brann.
- Bruk alltid godkjente beholdere for oppbevaring og transport av drivstoff.
- Tøm produktet for drivstoff før transport eller før lang tids oppbevaring. Lever drivstoffet hos en returstasjon.

- Fest transportbeskyttelsen under transport og oppbevaring.
- Fjern tennpluggetten fra tennpluggen.
- Fest produktet under transport. Kontroller at det ikke kan bevege seg.
- Rengjør og utfør vedlikehold av produktet før lengre tids oppbevaring.

## Tekniske data

### Tekniske data

	522HD60X	522HDR60X	522HDR75X
<b>Motor</b>			
Sylindervolum, cm <sup>3</sup>	21,7	21,7	21,7
Tomgangsturtall, o/min	3000	3000	3000

	522HD60X	522HDR60X	522HDR75X
Anbefalt maks. turtall, o/min	9200	9200	9200
Maksimum motoreffekt iht. ISO 8893, kW/hk ved o/min	0,6/0,8 ved 7800	0,6/0,8 ved 7800	0,6/0,8 ved 7800
Katalysatorlyddemper	Ja	Ja	Ja
<b>Tenningsystem</b>			
Tennplugg	NGK CMR6A	NGK CMR6A	NGK CMR6A
Elektrodeavstand, mm	0,5	0,5	0,5
<b>Drivstoff</b>			
Drivstofftankens kapasitet, l/cm <sup>3</sup>	0,45/450	0,45/450	0,45/450
<b>Vekt</b>			
Uten drivstoff, kg	4,9	5,0	5,2
<b>Støynivå</b> <sup>49</sup>			
Lydeffektnivå, målt dB (A)	101	101	101
Lydeffektnivå, garantert L <sub>WA</sub> dB (A)	102	102	102
<b>Lydnivåer</b> <sup>50</sup>			
Ekvivalent lydtrykksnivå ved brukerens øre, målt i henhold til EN ISO 10517, dB(A)	93	93	93
<b>Vibrasjonsnivåer</b> <sup>51</sup>			
Ekvivalente vibrasjonsnivåer (a <sub>hv,eq</sub> ) i håndtak, målt i henhold til EN ISO 10517, m/sek <sup>2</sup> :			
Foran/bak, mm/s <sup>2</sup>	2,7/1,2	2,8/1,3	2,1/2.2
<b>Kniver</b>			
Type	Dobbeltstidig	Dobbeltstidig	Dobbeltstidig
Klippelengde, cm	600	600	750
Klippeshastighet, Klipp/min	4400	3200	3200

<sup>49</sup> Utslipp av støy til omgivelsene målt som lydeffekt (L<sub>WA</sub>) samsvarer med EF-direktiv 2000/14/EF. Rapporterte lydeffektnivåer for produktet er målt med det originale skjæutstyret som gir høyest nivå. Forskjellen mellom garantert og målt lydeffekt er at garantert lydeffekt også omfatter spredning i måleresultatet og variasjoner mellom forskjellige produkter av samme modell, i henhold til direktivet 2000/14/EF.

<sup>50</sup> Rapporterte data for ekvivalent lydtrykksnivå for maskinen har en typisk statistisk spredning (standardavvik) på 1 dB (A).

<sup>51</sup> Rapporterte data for vibrasjonsnivå har en typisk statistisk spredning (standard avvik) på 1 m/s<sup>2</sup>.

# Samsvarserklæring

## EU-samsvarserklæring

Vi, **Husqvarna AB**, SE-561 82 Huskvarna, Sverige, tlf.:  
+46 36 146500, erklærer på eget ansvar at produktet:

<b>Beskrivelse</b>	Hekksaks
<b>Merke</b>	Husqvarna
<b>Type/modell</b>	522HD60X, 522HDR60X, 522HDR75X
<b>ID</b>	Serienumre datert 2022 og senere

fullstendig overholder følgende EU-direktiver og  
-forskrifter:

<b>Regulering</b>	<b>Beskrivelse</b>
2006/42/EC	«angående maskiner»
2014/30/EU	«om elektromagnetisk kompatibilitet»
2000/14/EC	«angående utslipp av støy til omgivelsene»
2011/65/EU	«om begrensning av bruk av visse farlige stoffer i elektrisk og elektronisk utstyr»

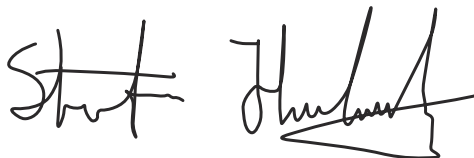
og at følgende standarder og/eller tekniske  
spesifikasjoner er anvendt: EN ISO 12100:2021, CISPR  
12: 2009, EN ISO 10517:2009/A1:2013, EN IEC  
63000:2018.

RISE SMP Svensk Maskinprovning AB, har utført  
frivillig typekontroll på vegne av Husqvarna AB.  
Sertifikatnummer: SEC/18/2518.

RISE SMP Svensk Maskinprovning AB, har bekreftet  
overensstemmelse med rådets direktiv av 8. mai  
2000 «angående utslipp av støy til omgivelsene»  
2000/14/EF. Sertifikatnumre: 01/094/026-522HD60X,  
01/094/027-522HDR60X, 522HDR75X.

For informasjon som gjelder støyutslipp, kan du se  
*Tekniske data på side 251.*

Huskvarna, 2022-05-09



Stefan Holmberg, FoU-direktør, teknologiledelse,  
Husqvarna AB

Ansvarlig for teknisk dokumentasjon

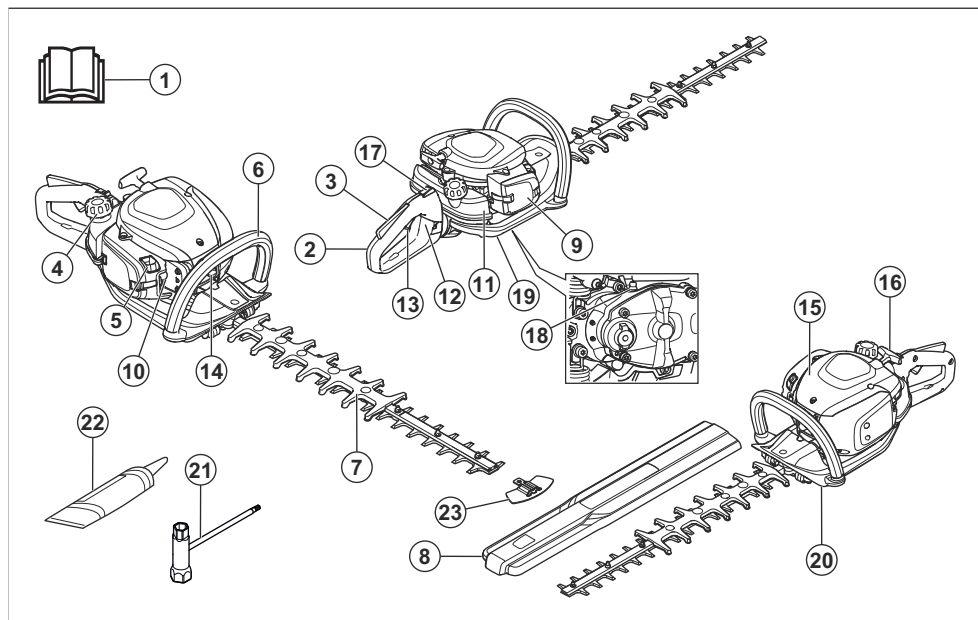


# SPIS TREŚCI

Wstęp.....	254	Transport, przechowywanie i utylizacja.....	266
Bezpieczeństwo.....	255	Dane techniczne.....	266
Przeznaczenie.....	260	Deklaracja zgodności.....	268
Przegląd.....	263		

## Wstęp

### Przegląd produktu



1. Instrukcja obsługi
2. Uchwyt tylny
3. Blokada wyzwalania przepustnicy
4. Zakrętka zbiornika paliwa
5. Dźwignia ssania
6. Uchwyt przedni
7. Ostrze i osłona ostrza
8. Osłona transportowa
9. Pokrywa filtra powietrza
10. Gruszka pompki paliwa
11. Zbiornik paliwa
12. Blokada uchwytu
13. Spust przepustnicy
14. Fajka świecy i świeca zapłonowa
15. Pokrywa cylindra
16. Rączka linki rozrusznika

17. Wyłącznik
18. Smarownicza
19. Obudowa przekładni
20. Osłona dłoni
21. Klucz dwustronny
22. Tubka ze smarem
23. Zabezpieczenie końcówki ostrza

### Opis produktu

Ten produkt to nożyce do żywopłotu z silnikiem spalinowym.

### Przeznaczenie

Produkt jest przeznaczony do obcinania gałęzi. Nie używać produktu do innych zadań.

## Symbole znajdujące się na produkcie



Stop.



Należy zachować ostrożność i prawidłowo korzystać z produktu. Produkt może spowodować poważne obrażenia ciała lub śmierć operatora lub innych osób.



Przed przystąpieniem do pracy należy dokładnie i ze zrozumieniem zapoznać się z treścią niniejszej instrukcji obsługi.



Należy używać zatwierdzonych ochronników słuchu oraz zatwierdzonych okularów ochronnych.



Nosić rękawice ochronne.



Stosować mocne, przeciwpoślizgowego obuwie ochronne.

# T

Dysza regulacyjna obrotów biegu jałowego.

# H

Iglica wysokich obrotów.

# L

Iglica niskich obrotów.



Emisje hałasu do środowiska zgodnie z dyrektywą europejską 2000/14/WE i przepisami Nowej Południowej Walii „Protection of the Environment Operations (Noise Control) Regulation 2017”. Dane dotyczące emisji hałasu można znaleźć na etykiecie maszyny oraz w rozdziale „Dane techniczne”.

# CE

Produkt jest zgodny z odpowiednimi dyrektywami WE.

# UK CA

Ten produkt jest zgodny z przepisami obowiązującymi w Wielkiej Brytanii.

yyyywwxxxx

Tabliczka znamionowa zawiera numer seryjny. **yyyy** to rok produkcji, a **ww** oznacza tydzień produkcji.

**Uwaga:** Pozostałe symbole/naklejki samoprzylepne umieszczone na produkcie dotyczą wymogów związanych z certyfikatami w niektórych krajach.

## Emisje Euro V



**OSTRZEŻENIE:** Ingerencja w silnik powoduje unieważnienie europejskiego zatwierdzenia typu produktu.

## Bezpieczeństwo

### Definicje dotyczące bezpieczeństwa

Ostrzeżenia, uwagi i informacje są używane do zwrócenia uwagi na szczególnie ważne sekcje instrukcji obsługi.



**OSTRZEŻENIE:** Jest używane, gdy istnieje ryzyko poważnych obrażeń, śmierci operatora lub uszkodzenia otoczenia w wyniku nieprzestrzegania instrukcji obsługi.



**UWAGA:** Jest używane, gdy istnieje ryzyko uszkodzenia materiałów lub urządzenia w wyniku nieprzestrzegania instrukcji obsługi.

**Uwaga:** Stosuje się, aby przekazać więcej informacji, które są przydatne w danej sytuacji.

### Ogólne zasady bezpieczeństwa



**OSTRZEŻENIE:** Przed rozpoczęciem użytkowania produktu przeczytać następujące ostrzeżenia.

- W razie nieprawidłowego lub nieostrożnego posługiwania się produktem może on okazać się niebezpiecznym narzędziem, które może spowodować poważne, a nawet śmiertelne obrażenia. Dlatego bardzo ważne jest przeczytanie i zrozumienie treści niniejszej instrukcji obsługi.

- Podczas pracy urządzenie wytwarza pole elektromagnetyczne. W pewnych okolicznościach pole to może zakłócać pracę aktywnych lub pasywnych implantów medycznych. Przed użyciem tego produktu osoby z wszczepionym implantem medycznym powinny skonsultować się z lekarzem i producentem implantu w celu ograniczenia ryzyka poważnych lub śmiertelnych obrażeń.
- Nadmierne wibracje mogą spowodować uszkodzenia naczyń krwionośnych lub nerwów u osób mających problemy z krążeniem. Zgłoś się do lekarza, jeżeli wystąpią objawy fizyczne, które mogą być związane z nadmiernymi wibracjami. Przykładem takich objawów jest drętwienie, brak czucia, mrowienie, kłucie, ból, utrata siły, zmiany koloru lub wyglądu skóry. Objawy te występują najczęściej w palcach, dłoniach lub nadgarstkach. Ryzyko wzrasta przy niskich temperaturach.
- Jeżeli znajdziesz się w sytuacji, w której nie jesteś pewny prawidłowości dalszego sposobu postępowania, zasięgnij porady eksperta. Zwróć się do swojego dealera lub warsztatu obsługi technicznej. Nie podejmuj się pracy, gdy uważasz, że nie masz wystarczających kwalifikacji.
- Należy pamiętać, że operator ponosi odpowiedzialność za wypadki i zagrożenie dla osób postronnych oraz mienia.
- Produkt mogą obsługiwać wyłącznie osoby, które wcześniej dokładnie zapoznały się z niniejszą instrukcją obsługi
- Nigdy nie należy pozwalać dzieciom na użytkowanie urządzenia lub przebywanie w jego pobliżu. Ponieważ produkt wyposażony jest w sprężynujący wyłącznik i może zostać uruchomiona nawet przez powolne i słabe oddziaływanie na rączkę rozrusznika, nawet małe dzieci w pewnych okolicznościach mogą być w stanie uruchomić urządzenie. Oznacza to ryzyko poważnych obrażeń. Dlatego należy zdejmować nasadkę świecy zapłonowej, gdy produkt nie znajduje się pod nadzorem.
- Przechowywać produkt w miejscu niedostępnym dla dzieci.
- Nie wolno korzystać z produktu w stanie przemęczenia, po spożyciu alkoholu lub po przyjęciu leków osłabiających wzrok, zdolność oceny i koordynację.
- Nie wolno używać produktu, jeśli jest uszkodzony. Stosuj się do instrukcji dotyczących konserwacji, kontroli i obsługi technicznej podanych w niniejszej instrukcji obsługi. Niektóre czynności konserwacyjne i obsługowe muszą być wykonane przez przeszkolonego i wykwalifikowanego specjalistę. Dalsze wskazówki można znaleźć w sekcji Konserwacja.
- Nie wolno używać produktu, który został w jakikolwiek sposób zmodyfikowany.

## Instrukcje bezpieczeństwa dotyczące obsługi



**OSTRZEŻENIE:** Przed rozpoczęciem użytkowania produktu przeczytać następujące ostrzeżenia.

- Nigdy nie używać produktu w ekstremalnych warunkach pogodowych i klimatycznych, np. przy bardzo dużym mrozie lub w bardzo gorącym lub/oraz wilgotnym klimacie.
- Uszkodzone lub nieodpowiednie noże zwiększają ryzyko wypadków przy pracy.
- Dopilnować, aby podczas pracy nikt nie zbliżał się na odległość mniejszą niż 15 m / 50 ft.
- Należy obserwować, co dzieje się w otoczeniu i upewnić się, czy nie zachodzi ryzyko, że ludzie lub zwierzęta mogą zetknąć się z osprzętem tnącym.
- Dokonać inspekcji obszaru pracy. Usunąć przedmioty, które mogłyby zostać odrzucone spod maszyny podczas pracy.
- Zawsze należy dbać o to, aby mieć bezpieczną i pewną pozycję przy pracy.
- Nigdy nie należy pozostawiać urządzenia bez nadzoru, gdy uruchomiony jest silnik.
- Należy uważać, aby podczas pracy silnika nie dotknąć zespołu tnącego ręką lub nogą.
- Jeżeli podczas pracy coś przycepi się do noży, należy najpierw wyłączyć silnik, odczekać do całkowitego zatrzymania się maszyny, zdjąć przewód ze świecy zapłonowej, a dopiero potem przystąpić do czyszczenia noży. Zdjąć przewód ze świecy zapłonowej. Patrz *Sprawdzanie noży* na stronie 265.
- Po wyłączeniu silnika trzymać ręce i nogi z dala od zespołu tnącego, dopóki ostrza całkowicie się nie zatrzymają.
- Uważać na koniuszki gałęzi, które podczas cięcia mogą być odrzucane przez maszynę z dużą siłą.
- Mając założone ochronniki słuchu, należy zawsze być szczególnie uważnym na sygnały i zawołania ostrzegawcze. Ochronniki słuchu należy zdejmować zaraz po wyłączeniu silnika.
- Nigdy nie pracować, stojąc na drabinie lub stołku ani na żadnym podwyższeniu, które nie jest stabilne i nie zapewnia zachowania statecznej postawy podczas pracy.
- Produkt należy zawsze trzymać obiema rękami. Produkt należy trzymać przed sobą.
- W razie najechania na twardy przedmiot lub w razie powstania wibracji należy zatrzymać urządzenie. Zdjąć przewód ze świecy zapłonowej. Sprawdzić, czy urządzenie nie jest uszkodzone. Naprawić maszynę, jeśli została uszkodzona.
- Aby wyeliminować ryzyko porażenia prądem, sprawdzić, czy fajka świecy i przewód zapłonowy nie są uszkodzone.



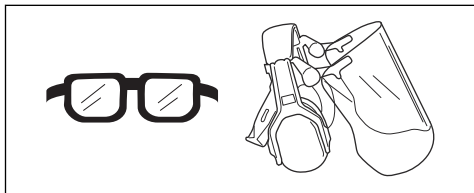
- Sprawdzić, czy dokręcone są wszystkie śruby i nakrętki.
- Dopilnować, by przekładnia była odpowiednio nasmarowana. Patrz *Smarowanie obudowy przekładni na stronie 265*.
- Osłona przekładni nagrzewa się podczas pracy urządzenia. Nie dotykać obudowy przekładni, aby się nie oparzyć.
- Przed uruchomieniem należy zamontować wszystkie osłony i pokrywy.
- Gdy produkt nie jest używany, na zespół tnący należy zawsze zakładać osłonę transportową.

## Środki ochrony osobistej

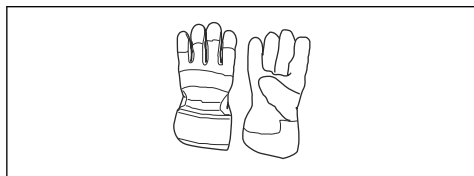


**OSTRZEŻENIE:** Przed rozpoczęciem użytkowania produktu przeczytać następujące ostrzeżenia.

- Podczas używania produktu należy zawsze mieć na sobie zatwierdzone środki ochrony osobistej. Środki ochrony osobistej nie eliminują całkowicie ryzyka odniesienia obrażeń, natomiast ograniczają ich rozmiar w razie zaistnienia wypadku. Skorzystać z pomocy dealera przy wyborze odpowiedniego sprzętu.
- Stosować atestowane ochronniki słuchu o wystarczających właściwościach tłumiących. Długotrwałe przebywanie w hałasie może doprowadzić do trwałej utraty słuchu.
- Stosować atestowane środki ochrony oczu. Podczas używania maski ochronnej twarzy należy mieć na sobie także zatwierdzone okulary ochronne. Za zatwierdzone okulary ochronne uważane są takie, które są zgodne z normami ANSI Z87.1 dla USA lub EN 166 dla krajów UE.



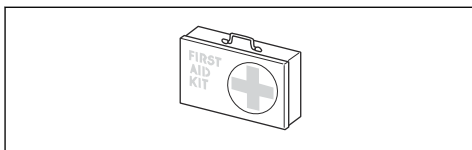
- W razie potrzeby, na przykład podczas mocowania, badania czy czyszczenia narzędzi tnących, stosować rękawice ochronne.



- Nosić mocne, przeciwpoślizgowe, wysokie obuwie ochronne lub obuwie robocze.



- Nosić odzież wykonaną z mocnego materiału. Nosić odzież z długimi nogawkami i długimi rękawami, wykonaną z mocnego materiału. Luźne części odzieży mogą zahaczyć o krzewy lub gałęzie. Nie nosić biżuterii, krótkich spodni ani sandałów i nie pracować z odsłoniętymi stopami. Utrzymywać włosy w sposób bezpieczny powyżej poziomu barków.
- Zawsze mieć pod ręką apteczkę pierwszej pomocy.



## Zespoły zabezpieczające na osprzęcie

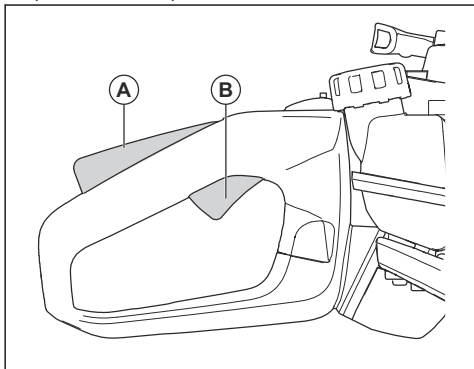


**OSTRZEŻENIE:** Przed rozpoczęciem użytkowania produktu przeczytać następujące ostrzeżenia.

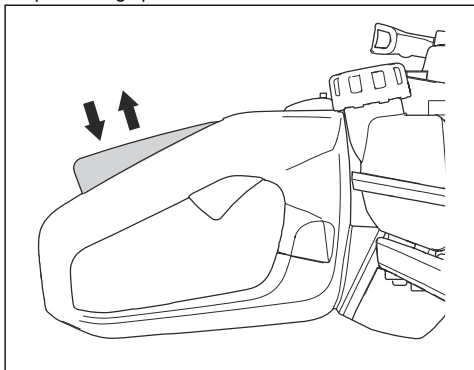
- Nie należy używać maszyny z uszkodzonymi urządzeniami zabezpieczającymi.
- Regularnie przeprowadzać kontrole urządzeń zabezpieczających. Jeśli urządzenia zabezpieczające są uszkodzone, skontaktować się z warsztatem obsługi technicznej Husqvarna.

## Sprawdzanie blokady dźwigni gazu

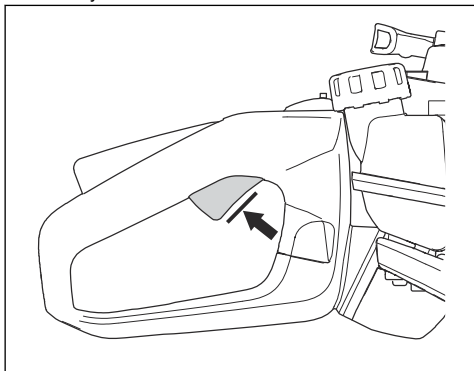
1. Sprawdzić, czy blokada dźwigni gazu (A) i dźwignia gazu (B) poruszają się swobodnie oraz czy sprężyna powrotna działa prawidłowo.



2. Wcisnąć blokadę wyzwalania przepustnicy i sprawdzić, czy po zwolnieniu powraca ona do pierwotnego położenia.



3. Sprawdzić, czy spust przepustnicy jest zablokowany w położeniu biegu jałowego po zwolnieniu jego blokady.



4. Uruchomić produkt i ustawić pełne otwarcie przepustnicy.

5. Zwolnić dźwignię gazu i sprawdzić, czy noże zatrzymują się i pozostają nieruchome.



**OSTRZEŻENIE:** Jeżeli noże poruszają się, podczas gdy dźwignia gazu znajduje się w położeniu biegu jałowego, należy wyregulować obroty biegu jałowego w gaźniku. Patrz *Regulacja obrotów biegu jałowego na stronie 264.*

#### Aby sprawdzić stan wyłącznika

1. Uruchomić silnik.
2. Przetawić wyłącznik do położenia STOP i sprawdzić, czy silnik się zatrzymuje.



**OSTRZEŻENIE:** Wyłącznik automatycznie powraca do położenia rozruchu. Aby zapobiec przypadkowemu uruchomieniu, należy wymontować korek świecy zapłonowej ze świecy zapłonowej podczas montażu lub przeprowadzić konserwację produktu.

#### Sprawdzanie osłony ręki

Osłona ręki chroni przed obrażeniami spowodowanymi przez noże.

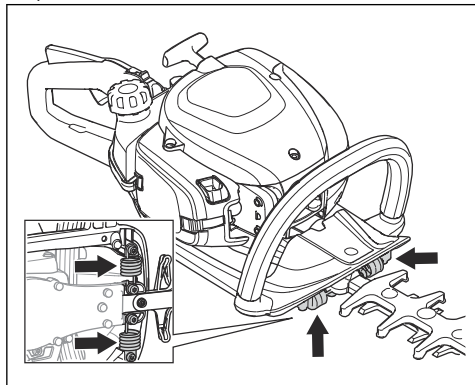
1. Zatrzymać silnik.
2. Sprawdzić, czy osłona dłoni jest dobrze zamocowana.
3. Skontrolować osłonę ręki pod kątem uszkodzeń.

#### Sprawdzanie układu tłumienia drgań

System tłumienia drgań zmniejsza drgania na uchwytach. Zespoły tłumiące drgania rozdzielają korpus produktu i zespół uchwytów.

1. Przeprowadzić kontrolę wzrokową pod kątem odkształceń i uszkodzeń.

2. Sprawdzić, czy elementy amortyzujące są prawidłowo zamontowane.



### Sprawdzanie tłumika



**OSTRZEŻENIE:** Nigdy nie używać produktu bez tłumika lub z uszkodzonym tłumikiem. Uszkodzony tłumik zwiększa poziom hałasu oraz ryzyko pożaru. Nie używać produktu bez siatki przeciwiskrowej lub z uszkodzoną siatką. Uszkodzoną siatkę przeciwiskrową należy wymienić na nową.



**OSTRZEŻENIE:** Podczas pracy produktu, również na biegu jałowym, oraz po wyłączeniu produktu tłumik jest bardzo gorący.



**UWAGA:** Jeżeli siatka zapycha się często, może to oznaczać, że uległa zmniejszeniu efektywność działania katalizatora. W takim przypadku należy oddać tłumik do przeglądu w punkcie serwisowym. W przypadku zapchania siatki przeciwiskrowej silnik nagrzewa się nadmiernie, co może doprowadzić do uszkodzenia cylindra i tłoka.

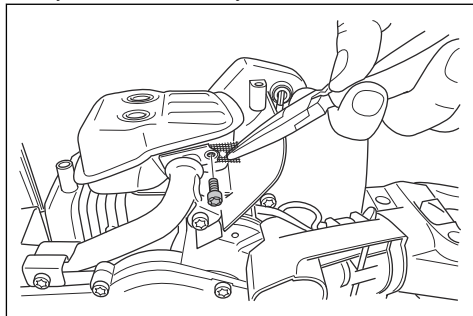


**OSTRZEŻENIE:** Na wewnętrznych powierzchniach tłumika znajdują się substancje chemiczne, które mogą powodować raka. Należy uważać, aby nie dotknąć tych elementów, jeśli tłumik jest uszkodzony.

Tłumik ogranicza do minimum poziom hałasu i odprowadza spaliny poza strefę pracy operatora. Tłumik z katalizatorem powoduje ograniczenie emisji szkodliwych gazów spalinowych.

1. Zatrzymać silnik.

2. Przeprowadzić kontrolę wzrokową pod kątem uszkodzeń i odkształceń.
3. Sprawdzić, czy tłumik jest prawidłowo przymocowany do produktu.
4. Delikatnie wyczyścić siatkę przeciwiskrową przy użyciu szczotki drucianej.



### W celu sprawdzenia ostrzy i osłony ostrzy

Zewnętrzna powierzchnia ostrzy pełni funkcję osłony ostrza. Osłona ostrza zapobiega przecięciom.

1. Zatrzymać silnik i upewnić się, że ostrza się nie obracają.
2. Odłączyć fajkę świecy zapłonowej od świecy.
3. Założyć rękawice ochronne.
4. Sprawdzić, czy ostrze i osłona ostrza nie są uszkodzone ani wygięte. Zawsze należy wymieniać uszkodzone lub wygięte ostrze lub uszkodzoną osłonę ostrza.
5. Należy się upewnić, że śruby ostrzy oraz osłona ostrza są mocno dokręcone.

### Zasady bezpieczeństwa dotyczące paliwa



**OSTRZEŻENIE:** Przed rozpoczęciem użytkowania produktu przeczytać następujące ostrzeżenia.

- Nie uruchamiać produktu, jeśli znajduje się na nim paliwo lub olej silnikowy. Usunąć zabrudzenia paliwem/olejem i odczekać, aż produkt wyschnie.
- W przypadku rozlania paliwa na ubranie należy je natychmiast zmienić.
- Nie dopuścić do kontaktu paliwa z ciałem, ponieważ może to spowodować obrażenia. W przypadku kontaktu paliwa z ciałem należy użyć wody z mydłem w celu jego usunięcia.
- Nie uruchamiać maszyny, jeśli silnik jest nieszczelny. Regularnie sprawdzać silnik pod kątem nieszczelności.
- Zachować ostrożność przy pracy z paliwem. Paliwo jest łatwopalne, a jego opary mogą wybuchnąć, powodując obrażenia lub śmierć.

- Nie wdychać oparów paliwa, ponieważ może to być groźne dla zdrowia lub życia. Zapewnić odpowiednią wentylację.
- Nie palić tytoniu w pobliżu paliwa lub silnika.
- Nie umieszczać gorących przedmiotów w pobliżu paliwa lub silnika.
- Nie dolewać paliwa podczas pracy silnika.
- Przed tankowaniem upewnić się, że silnik jest zimny.
- Przed tankowaniem pomału odkręcić korek zbiornika paliwa i ostrożnie zwolnić ciśnienie.
- Nie dolewać paliwa do silnika w zamkniętym pomieszczeniu. Niewystarczający przepływ powietrza może doprowadzić do obrażeń lub śmierci na skutek uduszenia lub zatrucia tlenkiem węgla.
- Do końca dokręcić korek zbiornika paliwa. W przypadku braku dokręcenia korka zbiornika paliwa istnieje ryzyko powstania pożaru.
- Przed uruchomieniem należy przenieść produkt co najmniej 3 metry / 10 stóp od miejsca, w którym napełniany był zbiornik paliwa.
- Nie napełniać zbiornika paliwa całkowicie. Ciepło powoduje zwiększenie objętości paliwa. Pozostawić wolną przestrzeń na górze zbiornika.

## Instrukcje bezpieczeństwa dotyczące konserwacji



**OSTRZEŻENIE:** Przed rozpoczęciem użytkowania produktu przeczytać następujące ostrzeżenia.

- Zatrzymać silnik i upewnić się, że zespół tnący się nie obraca. Przed rozpoczęciem wykonywania

- prac konserwacyjnych poczekać na ostygnięcie urządzenia.
- Przed przystąpieniem do konserwacji odłączyć fajkę świecy zapłonowej.
- Spaliny z silnika zawierają tlenek węgla, który jest bezwonnym, trującym oraz niebezpiecznym gazem i może spowodować śmierć. Nie uruchamiać maszyny w pomieszczeniach zamkniętych ani zamkniętych przestrzeniach.
- Spaliny silnikowe mają wysoką temperaturę i mogą zawierać iskry. Nigdy nie włączać urządzenia w pomieszczeniach zamkniętych ani w pobliżu materiałów łatwopalnych.
- Niezatwierdzone przez producenta akcesoria i modyfikacje maszyny mogą spowodować poważne obrażenia lub śmierć. Nie należy modyfikować maszyny. Zawsze należy korzystać z oryginalnych akcesoriów.
- W przypadku nieprawidłowo lub nieregularnie przeprowadzanej konserwacji wzrasta ryzyko obrażeń oraz uszkodzenia produktu.
- Konserwację należy przeprowadzać wyłącznie w sposób określony w niniejszej instrukcji użytkownika. Zlecić autoryzowanemu warsztatowi obsługi technicznej Husqvarna wykonanie pozostałych czynności serwisowych.
- Należy dopilnować przeprowadzania regularnej konserwacji maszyny przez autoryzowany serwis Husqvarna.
- Wymienić uszkodzone, zużyte lub zniszczone części.

## Przeznaczenie

### Wstęp



**OSTRZEŻENIE:** Przed użyciem produktu należy zapoznać się z rozdziałem dotyczącym bezpieczeństwa.

### Paliwo

Produkt jest wyposażony w silnik dwusuwowy.



**UWAGA:** Nieprawidłowy rodzaj paliwa może doprowadzić do uszkodzenia silnika. Używać mieszanki benzyny i oleju do silników dwusuwowych.

### Wstępnie wymieszane paliwo

- W celu zapewnienia najlepszej wydajności i wydłużenia żywotności silnika należy używać wstępnie wymieszanego paliwa alkilowego Husqvarna. Takie paliwo zawiera mniej szkodliwych substancji chemicznych w porównaniu z tradycyjnym

paliwem, dzięki czemu wytwarza mniej szkodliwych gazów wdechowych. Ilość pozostałości po spaleniu tego paliwa jest mniejsza, co zapewnia większą czystość elementów silnika.

### Mieszanie paliwa

#### Benzyna

- Należy używać wysokiej jakości benzyny bezołowiowej o maks. 10% zawartości etanolu.



**UWAGA:** Nie używać benzyny o liczbie oktanowej niższej niż 90 RON/87 AKI. Używanie benzyny o niższej liczbie oktanowej może powodować odgłosy stukania i prowadzić do uszkodzenia silnika.

#### Olej do silników dwusuwowych

- Aby uzyskać najlepsze wyniki i wydajność, należy używać oleju do silników dwusuwowych Husqvarna.

- Jeśli olej Husqvarna do silników dwusuwowych nie jest dostępny, należy użyć dobrej jakości oleju do silników dwusuwowych chłodzonych powietrzem. Skontaktować się z dealerem ds. serwisu w celu wybrania właściwego oleju.



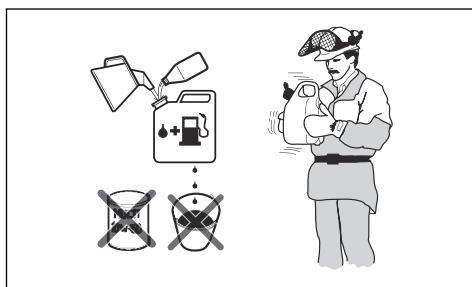
**UWAGA:** Nigdy nie używaj oleju do silników dwusuwowych przeznaczonego do chłodzonych wodą, zaburtowych silników do łodzi. Nie używać oleju przeznaczonego do silników czterosuwowych.

### Mieszanie benzyny i oleju do silników dwusuwowych

Benzyna, w litrach	Olej do silników dwusuwowych, w litrach
	<b>2% (50:1)</b>
5	0,10
10	0,20
15	0,30
20	0,40



**UWAGA:** Podczas mieszania małych ilości paliwa niewielkie błędy mogą mieć znaczny wpływ na proporcje mieszanki. W celu uzyskania prawidłowej mieszanki należy dokładnie odmierzyć ilość dodawanego oleju.



1. Wlać połowę objętości benzyny do czystego pojemnika na paliwo.
2. Wlać pełną ilość oleju.
3. Wymieszać dokładnie paliwo z olejem, potrząsając pojemnikiem.
4. Dodać pozostałą objętość benzyny do pojemnika.
5. Wymieszać dokładnie paliwo z olejem, potrząsając pojemnikiem.



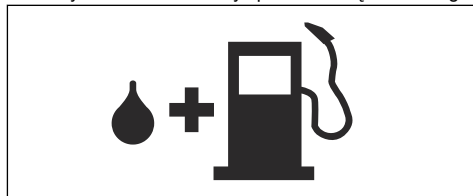
**UWAGA:** Nie mieszać jednorazowo większej ilości paliwa niż wymagana na 1 miesiąc pracy.

### Napełnianie zbiornika paliwa



**OSTRZEŻENIE:** Należy przestrzegać następującej procedury w celu zapewnienia bezpieczeństwa użytkownika.

1. Wyłączyć silnik i poczekać, aż ostygnie.
2. Oczyszczyć korek wlewowy i powierzchnię wokół niego.



3. Wstrząsnąć pojemnikiem i upewnić się, że paliwo jest dobrze wymieszane.
4. Wyjąć korek zbiornika paliwa w celu wyrównania ciśnienia.
5. Napełnianie zbiornika paliwa.



**UWAGA:** Upewnić się, że w zbiorniku paliwa nie ma zbyt dużo paliwa. Paliwo rozszerza się po nagraniu.

6. Ostrożnie dokręcić korek zbiornika paliwa.
7. Usunąć rozlane paliwo z produktu i jego otoczenia.
8. Przed uruchomieniem silnika należy przenieść produkt na odległość 3 m/10 stóp lub więcej od miejsca tankowania i przechowywania paliwa.

**Uwaga:** Aby sprawdzić, gdzie w produkcie znajduje się zbiornik paliwa, patrz *Przegląd produktu na stronie 254*.

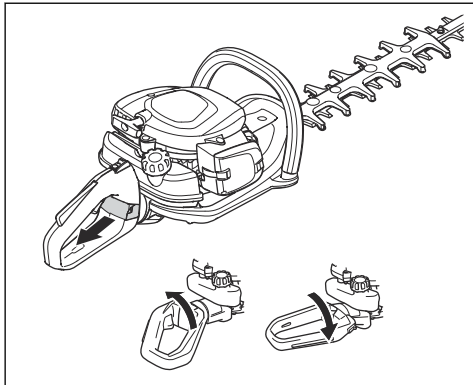
### W celu zamontowania zabezpieczenia końcówki ostrza

1. Zdjąć nakrętkę i wykręcić śrubę na końcówce ostrza.
2. Zamocować zabezpieczenie końcówki ostrza na końcówce ostrza.
3. Wkręcić śrubę i dokręcić ją momentem 7 Nm.
4. Zamocować nakrętkę i dokręcić ją momentem 5 Nm.

### Regulacja uchwytu

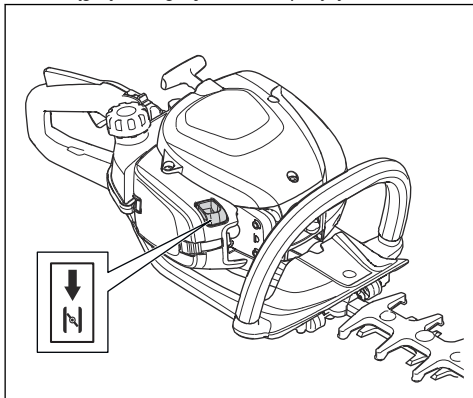
Uchwyt tylny można ustawiać w 3 różnych położeniach.

- Zwolnić blokadę uchwytu i obrócić go.



## Informacje dotyczące uruchamiania produktu z ciepłym silnikiem, patrz

1. Pociągnąć dźwignię ssania do pozycji ssania.



2. Nacisnąć pompkę paliwa około 6 razy lub do czasu, gdy zacznie napełniać się paliwem. Nie jest konieczne całkowite napełnienie gruszki pompki paliwa.
3. Przycisnąć korpus produktu do ziemi lewą ręką. Nie stawać na produkcie.
4. Powoli pociągnąć rączkę linki rozrusznika prawą ręką, aż będzie wyczuwalny opór, a następnie pociągnąć szybko i z dużą siłą.



**OSTRZEŻENIE:** Nie owijać linki rozrusznika wokół dłoni.



**UWAGA:** Nie ciągnąć linki rozrusznika do pełnego wysunięcia i nie puszczać uchwytu rozrusznika.

5. Pociągać za uchwyt linki rozrusznika aż do uruchomienia silnika, a następnie pchnąć dźwignię ssania do położenia początkowego.



**OSTRZEŻENIE:** Ostrza poruszają się po uruchomieniu silnika.

6. Pociągać rączkę linki rozrusznika, aż silnik się uruchomi.
7. Nacisnąć i zwolnić dźwignię gazu, aby ustawić silnik na obrotach biegu jałowego.
8. Stopniowo naciskać dźwignię gazu, aby zwiększyć prędkość obrotową silnika.
9. Silnik powinien pracować płynnie.

## Informacje dotyczące uruchamiania produktu z ciepłym silnikiem, patrz

1. Przycisnąć korpus produktu do ziemi lewą ręką. Nie stawać na produkcie.
2. Powoli pociągnąć rączkę linki rozrusznika prawą ręką, aż będzie wyczuwalny opór, a następnie pociągnąć szybko i z dużą siłą. Powtarzać tę czynność, aż silnik zacznie pracować.

**Uwaga:** Aby uzyskać więcej informacji dotyczących uruchamiania produktu, patrz *Informacje dotyczące uruchamiania produktu z ciepłym silnikiem, patrz na stronie 262.*

## Wyłączanie produktu

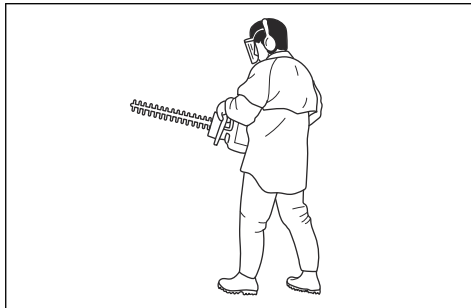
- Przetawić wyłącznik w położenie wyłączenia, aby zatrzymać silnik.



**UWAGA:** Wyłącznik automatycznie powraca do położenia pracy.

## Obsługa produktu

1. Produkt uruchamiać przy ziemi i przesuwając do góry wzdłuż żywoplotu podczas obcinania boków. Uważać, aby nie dotykać żywoplotu korpusem urządzenia.





**OSTRZEŻENIE:** Uważać, aby nie dotykać ziemi przodem osprzętu tnącego.

2. Dostosować prędkość do obciążenia.

3. Trzymać urządzenie w pobliżu ciała, aby mieć pewną pozycję przy pracy.
4. Należy zachować ostrożność i prawidłowo korzystać z produktu.

## Przegląd

### Wstęp

zapoznać się z rozdziałem dotyczącym bezpieczeństwa.



**OSTRZEŻENIE:** Przed przystąpieniem do konserwacji produktu

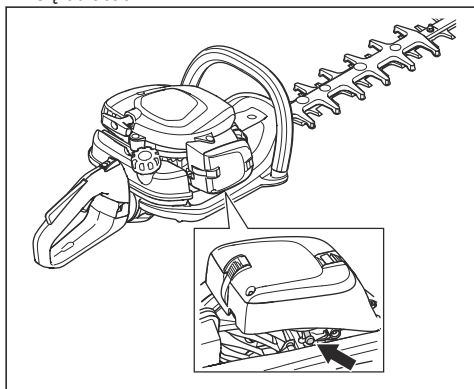
### Plan konserwacji

Konserwacja	Przed pracą	Po 40 h	Po 100 h
Oczyszczyć powierzchnię zewnętrzną.		Po każdym użyciu.	
Wyczyścić tłumik, rurę wydechową i silnik, usuwając liście, brud i nadmiar smaru.		Po każdym użyciu.	
Sprawdzić, czy osprzęt tnący się nie porusza, gdy silnik pracuje na biegu jałowym.	X		
Sprawdzić stan wyłącznika.	X		
Sprawdzić osprzęt tnący i osłonę osprzętu tnącego pod kątem uszkodzeń lub pęknięć. Wymienić, jeśli są uszkodzone.	X		
Sprawdzić, czy osłona ręki nie jest uszkodzona ani pęknięta. Wymienić, jeśli są uszkodzone.	X		
Sprawdzić blokadę dźwigni gazu oraz dźwignię gazu.	X		
Sprawdzić silnik, zbiornik paliwa i przewody paliwowe pod kątem wycieków.	X		
Dokręcić nakrętki i śruby.	X		
Sprawdzić, czy filtr paliwa nie jest zanieczyszczony i czy na przewodzie giętkim paliwa nie ma pęknięć ani innych uszkodzeń. W razie potrzeby wymienić element na nowy.	X		
Sprawdzić rozrusznik i linkę rozrusznika pod kątem uszkodzeń.		X	
Wyczyścić filtr powietrza. Wymienić w razie potrzeby.		X	
Sprawdzić elementy amortyzujące pod kątem uszkodzeń i pęknięć.		X	
Sprawdzić świecę zapłonową, patrz <i>Sprawdzanie świecy zapłonowej na stronie 264.</i>		X	
Oczyszczyć system chłodzący.		X	
Wyczyścić zewnętrzną powierzchnię gaźnika oraz przestrzeń wokół gaźnika.		X	
Oczyszczyć lub wymienić siatkę przeciwwiskrową.			X
Oczyszczyć wnętrze zbiornika paliwa.			X
Sprawdzić świecę zapłonową.			X

Konserwacja	Przed pracą	Po 40 h	Po 100 h
Sprawdzić, czy osłona przekładni jest wypełniona smarem.			X

## Regulacja obrotów biegu jałowego

1. Wyczyścić filtr powietrza i przymocować pokrywę filtra powietrza.
2. Uruchomić urządzenie — patrz *Informacje dotyczące uruchamiania produktu z ciepłym silnikiem, patrz na stronie 262*.
3. Przekręcić śrubę regulacyjną biegu jałowego T w prawo do momentu, gdy zespół tnący zacznie się obracać.



4. Przekręcić śrubę regulacji obrotów biegu jałowego w lewo do momentu, gdy osprzęt tnący zatrzyma się.



**OSTRZEŻENIE:** Jeżeli osprzęt tnący nie zatrzymuje się po ustawieniu biegu jałowego, należy skontaktować się z najbliższym serwisem. Nie używać urządzenia, dopóki nie zostanie prawidłowo wyregulowane lub naprawione.

**Uwaga:** Obroty jałowe ustawione są prawidłowo, jeżeli silnik pracuje płynnie w każdym położeniu. Zalecana prędkość obrotowa biegu jałowego — patrz *Dane techniczne na stronie 266*.

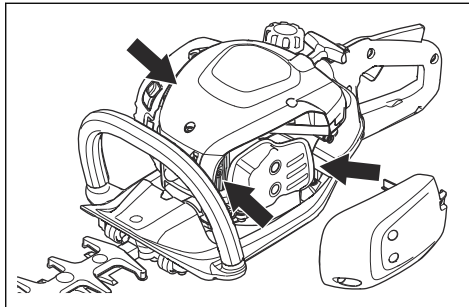
## Czyszczenie układu chłodzenia

Układ chłodzenia utrzymuje niską temperaturę silnika. Układ chłodzenia zawiera żebra chłodzące na cylindrze i obudowie rozrusznika.



**UWAGA:** Wlot powietrza między zbiornikiem paliwa a skrzynią korbową jest łatwo blokowany przez liście. Wyczyścić całkowicie wlot powietrza.

1. Układ chłodzenia należy czyścić szczotką raz na tydzień lub częściej, jeśli zachodzi taka potrzeba.
2. Sprawdzić, czy system chłodzący nie jest zabrudzony lub zatłoczony.

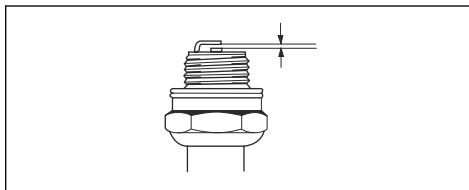


## Sprawdzanie świecy zapłonowej



**UWAGA:** Stosuj wyłącznie świece zapłonowe zalecane przez producenta. Niewłaściwy typ świecy zapłonowej może spowodować uszkodzenie produktu.

- Sprawdzić świecę zapłonową, jeśli silnik ma za małą moc, trudno go uruchomić lub nie działa prawidłowo na biegu jałowym.
- Aby zmniejszyć ryzyko przedostawania się niepożądanych materiałów na elektrody świecy zapłonowej, należy przestrzegać poniższych instrukcji:
  - a) Dopilnować, by obroty biegu jałowego zostały prawidłowo wyregulowane.
  - b) Dopilnować, aby używana była odpowiednia mieszanka paliwowa.
  - c) Zadbaj o czystość filtra powietrza.
- Jeśli świeca zapłonowa jest zabrudzona, należy ją wyczyścić i upewnić się, że odstęp między elektrodami jest prawidłowy, patrz *Dane techniczne na stronie 266*.



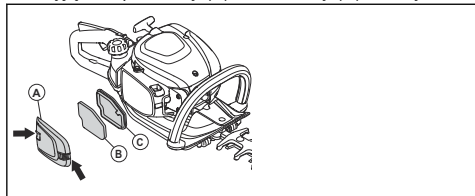
- W razie potrzeby wymienić świecę zapłonową.



## Czyszczenie filtra powietrza

Regularnie czyścić filtr powietrza z brudu i kurzu. Zapobiega to usterkom gaźnika, problemom z rozruchem, utracie mocy silnika, zużyciu części silnika i większemu niż zwykle zużyciu paliwa.

1. Zdjąć pokrywę filtra powietrza (A).
2. Wyjąć filtr piankowy (B) i filtr filcowy (C) z ramy filtra.



3. Wymienić filtr filcowy (C).
4. Oczyszczyć filtr piankowy (B) ciepłą wodą z mydłem.

**Uwaga:** Całkowite oczyszczenie filtra po długim okresie użytkowania nie jest możliwe. Wymieniać filtr powietrza regularnie i zawsze wymieniać uszkodzony filtr powietrza.

5. Upewnić się, że filtr piankowy (B) jest suchy.
6. Nasączyć filtr piankowy (B) olejem do filtra powietrza. Patrz *Stosowanie oleju do filtrów powietrza na stronie 265*
7. Oczyszczyć wewnętrzną powierzchnię pokrywy filtra powietrza (A). Użyć sprężonego powietrza lub szczotki.

## Stosowanie oleju do filtrów powietrza



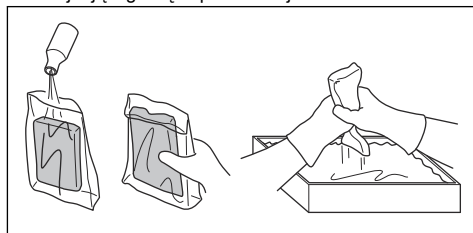
**UWAGA:** Należy zawsze stosować specjalny olej do filtrów Husqvarna. Nie używać innych rodzajów olejów.



**OSTRZEŻENIE:** Założyć rękawice ochronne. Olej z filtra powietrza może spowodować podrażnienie skóry.

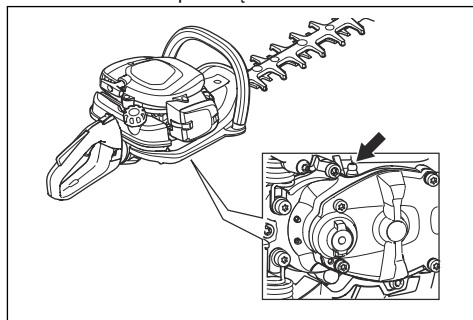
1. Umieścić filtr powietrza w plastikowej torbie.
2. Wlać olej do plastikowego woreczka.
3. Potrząść plastikową torbę, aby olej rozprzestrzenił się równo po całym filtrze.

4. Wycisnąć niepożądany olej z filtra powietrza znajdującego się w plastikowej torbie.



## Smarowanie obudowy przekładni

- Użyć specjalnego smaru Husqvarna. Dodatkowe informacje dotyczące zalecanego smaru można uzyskać w centrum serwisowym.
- Dodać smaru za pomocą smarownicy.



**UWAGA:** Nie napełniać obudowy przekładni do pełna.

## Czyszczenie i smarowanie ostrzy

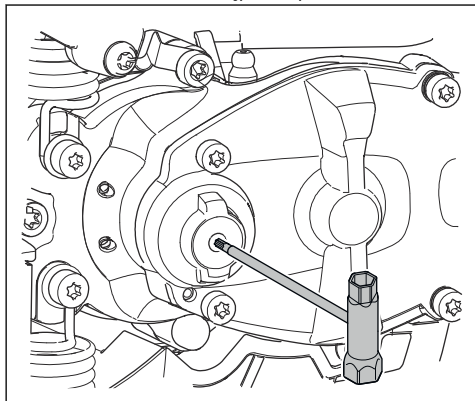
1. Oczyszczyć noże z niepożądanego materiału przed każdym użyciem produktu i po nim.
2. Przed dłuższym okresem przechowywania urządzenia należy nasmarować ostrza.

**Uwaga:** Dodatkowe informacje dotyczące zalecanych środków smarnych można uzyskać w centrum serwisowym.

## Sprawdzanie noży

1. Zdjąć korek osłony przekładni.

2. Sprawdzić, czy noże obracają się swobodnie.  
Włożyć klucz płasko-oczkowy w osłonę przekładni i obrócić w lewo, a następnie w prawo.



3. Sprawdzić końcówki noży pod kątem uszkodzeń i odkształceń.
4. Za pomocą pilnika usunąć zadziory na nożach.

## Transport, przechowywanie i utylizacja

### Transport i przechowywanie

- Przed odstawieniem produktu do przechowywania poczekać, aż produkt ostygnie.
- W zakresie przechowywania i transportu maszyny i paliwa należy upewnić się, że nie ma żadnych przecieków ani nie wydostają się z urządzenia żadne opary. Iskry lub otwarty płomień pochodzące, na przykład, z urządzeń elektrycznych lub kotłów, mogą wzniecić pożar.
- Zawsze należy korzystać z zatwierdzonych pojemników do przechowywania i transportu paliwa.
- Przed transportem lub przed dłuższym okresem przechowywania należy spuścić paliwo. Utylizacja paliwa musi odbywać się w odpowiednim miejscu.
- Przymocować osłonę transportową na czas transportu i przechowywania.
- Odłączyć fajkę świecy zapłonowej od świecy.
- Przymocować produkt podczas transportu. Upewnić się, że nie może się poruszać.
- Wyczyścić przeprowadzić czynności konserwacyjne przed długim przechowywaniem.

## Dane techniczne

### Dane techniczne

	522HD60X	522HDR60X	522HDR75X
<b>Silnik</b>			
Pojemność skokowa, cm <sup>3</sup>	21,7	21,7	21,7
Obroty na biegu jałowym, obr./min	3000	3000	3000
Zalecane maks. nadobroty, obr./min	9200	9200	9200
Maks. moc silnika zgodnie z ISO 8893, kW/KM przy obr./min	0,6/0,8 przy 7800	0,6/0,8 przy 7800	0,6/0,8 przy 7800
Tłumik z katalizatorem	Tak	Tak	Tak
<b>Układ zapłonowy</b>			
Świeca zapłonowa	NGK CMR6A	NGK CMR6A	NGK CMR6A

	522HD60X	522HDR60X	522HDR75X
Odstęp między elektrodami, w mm	0,5	0,5	0,5
<b>Paliwo</b>			
Pojemność zbiornika paliwa, l/cm <sup>3</sup>	0,45/450	0,45/450	0,45/450
<b>Masa</b>			
Bez paliwa, kg	4,9	5,0	5,2
<b>Poziom hałasu</b> <sup>52</sup>			
Zmierzony poziom mocy akustycznej, w dB(A)	101	101	101
Poziom głośności, gwarantowana moc akustyczna [L <sub>WA</sub> dB(A)]	102	102	102
<b>Poziomy głośności</b> <sup>53</sup>			
Równoważny poziom ciśnienia akustycznego przy uchu operatora zmierzony zgodnie z normą PN-EN ISO 10517, w dB(A)	93	93	93
<b>Poziomy drgań</b> <sup>54</sup>			
Równoważne poziomy drgań uchwytów (a <sub>h<sub>v</sub>,eq</sub> ), zmierzone zgodnie z normami: EN ISO 10517, m/s <sup>2</sup> :			
Przód/tył, mm/s <sup>2</sup>	2,7/1,2	2,8/1,3	2,1/2.2
<b>Noże</b>			
Typ	Dwustronne	Dwustronne	Dwustronne
Długość cięcia, mm	600	600	750
Prędkość cięcia, cięcia/min	4400	3200	3200

<sup>52</sup> Emisję hałasu do otoczenia zmierzono jako moc akustyczną (L<sub>WA</sub>), zgodnie z dyrektywą WE 2000/14/WE. Odnotowany poziom ciśnienia akustycznego dla produktu został zmierzony z oryginalnym osprzętem tnącym, który generuje najwyższy poziom hałasu. Różnica pomiędzy gwarantowanym a zmierzonym poziomem ciśnienia akustycznego wynika z tego, że poziom gwarantowany uwzględnia także rozproszenie w wynikach pomiaru oraz różnice pomiędzy różnymi produktami o takim samym oznaczeniu modelowym zgodnie z dyrektywą 2000/14/WE.

<sup>53</sup> Odnotowane dane dla ciśnienia akustycznego mają typowe rozproszenie statystyczne (odchylenie standardowe) w wysokości 1 dB (A).

<sup>54</sup> Odnotowane dane dla poziomu drgań mają typowe rozproszenie statystyczne (odchylenie standardowe) w wysokości 1 m/s<sup>2</sup>.

# Deklaracja zgodności

## Deklaracja zgodności UE

Firma **Husqvarna AB**, SE-561 82 Huskvarna,  
Szwecja, tel.: +46-36-146500, deklarujemy z pełną  
odpowiedzialnością, że produkt:

<b>Opis</b>	Nożyce do żywopłatów
<b>Marka</b>	Husqvarna
<b>Typ/model</b>	522HD60X, 522HDR60X, 522HDR75X
<b>Identyfikacja</b>	Numery seryjne z roku 2022 i nowsze

spełnia wszystkie wymagania określone w odpowiednich  
dyrektywach i przepisach UE:

Przepis	Opis
2006/42/WE	„w sprawie maszyn”
2014/30/UE	„w sprawie kompatybilności elektromagnetycznej”
2000/14/WE	„dotycząca emisji hałasu do środowiska”
2011/65/UE	„dotycząca ograniczenia użycia niektórych substancji niebezpiecznych w sprzęcie elektrycznym i elektronicznym”

oraz został zaprojektowany zgodnie z następującymi  
normami i specyfikacjami technicznymi: EN ISO  
12100:2021, CISPR 12: 2009, EN ISO 10517:2009/  
A1:2013, EN IEC 63000:2018.

Dobrowolna kontrola homologacyjna na rzecz  
RISE SMP Svensk Maskinprovning AB została  
przeprowadzona przez , Husqvarna AB. Numer  
certyfikatu: SEC/18/2518.

Jednostka RISE SMP Svensk Maskinprovning AB,  
potwierdziła zgodność urządzenia z wymogami  
określonymi w dyrektywie Rady nr 2000/14/WE  
z 8 maja 2000 r. „dotyczącej emisji  
hałasu do środowiska”. Numery certyfikatu:  
01/094/026-522HD60X, 01/094/027-522HDR60X,  
522HDR75X.

Informacje dotyczące emisji hałasu, patrz *Dane  
techniczne na stronie 266*.

Huskvarna, 2022-05-09

Stefan Holmberg, Dyrektor ds. badań i rozwoju,  
Zarządzenie technologią, Husqvarna AB

Osoba odpowiedzialna za dokumentację techniczną

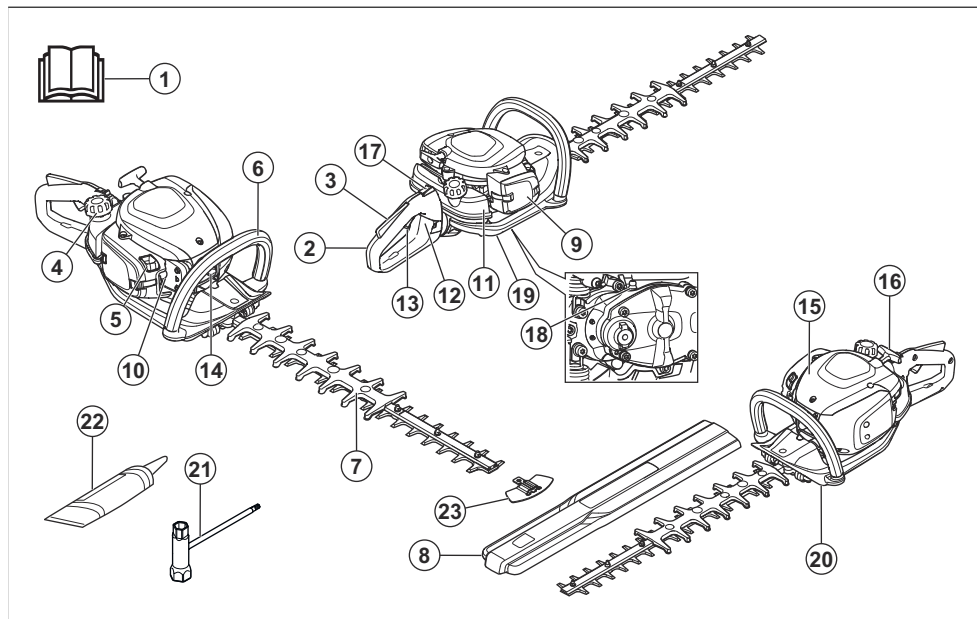


# ÍNDICE

Introdução.....	269	Transporte, armazenamento e eliminação.....	281
Segurança.....	270	Especificações técnicas.....	281
Funcionamento.....	275	Declaração de conformidade.....	283
Manutenção.....	278		

## Introdução

### Vista geral do produto



1. Manual do utilizador
2. Punho traseiro
3. Bloqueio do acelerador
4. Tampa do depósito de combustível
5. Controlo do estrangulador
6. Punho dianteiro
7. Lâmina e protecção da lâmina
8. Protecção para transporte
9. Cobertura do filtro de ar
10. Ampola da purga de ar
11. Depósito de combustível
12. Trinco da pega
13. Acelerador
14. Vela de ignição e cobertura da vela de ignição
15. Cobertura do cilindro
16. Punho do cabo de arranque
17. Interruptor de paragem
18. Bocal de lubrificação
19. Caixa de engrenagem
20. Protecção das mãos
21. Chave combinada
22. Tubo de massa lubrificante
23. Protecção da ponta da lâmina

### Descrição do produto

O produto é um corta-sebes com um motor de combustão.

### Finalidade

Utilize o produto para cortar ramos e galhos. Não utilize o produto para outras tarefas.

## Símbolos no produto



Parar.



Seja cuidadoso e utilize o produto corretamente. Este produto pode provocar ferimentos graves ou a morte do utilizador ou terceiros.



Leia o manual do utilizador com atenção e certifique-se de que compreende as instruções antes de utilizar o produto.



Utilize protetores acústicos e proteção ocular aprovados.



Utilize luvas de proteção aprovadas.



Use botas antiderrapantes resistentes.

T

Parafuso de ajuste do ralenti.

H

Agulha de alta rotação.

L

Agulha de baixa rotação.



Emissões de ruído para o meio ambiente de acordo com a Diretiva Europeia 2000/14/CE e com o regulamento "Protection of the Environment Operations (Noise Control) Regulation 2017" (regulamento de proteção de operações no meio ambiente [controle do ruído] de 2017 da Nova Gales do Sul). Os dados das emissões de ruído podem ser encontrados na etiqueta da máquina no capítulo Especificações técnicas.



O produto está em conformidade com as diretivas CE aplicáveis.



Este produto está em conformidade com os regulamento aplicáveis do Reino Unido.

aaaassxxxx

A etiqueta de tipo apresenta o número de série. **aaaa** é o ano de fabrico e **ss** é a semana de fabrico.

**Nota:** Os restantes símbolos/autocolantes existentes no produto dizem respeito às exigências de homologação de alguns países.

## Emissões Euro V



**ATENÇÃO:** A adulteração do motor anula a aprovação deste produto pela UE.

## Segurança

### Definições de segurança

Os avisos, as precauções e as notas são utilizados para indicar partes especialmente importantes do manual.



**ATENÇÃO:** Utilizado no caso de existir risco de ferimento ou morte para o utilizador ou transeuntes, se não forem respeitadas as instruções do manual.



**CUIDADO:** Utilizado se existir risco de danos para o produto, para outros materiais ou para a área adjacente, se não forem respeitadas as instruções do manual.

**Nota:** Utilizado para disponibilizar informações adicionais necessárias numa determinada situação.

## Instruções de segurança gerais



**ATENÇÃO:** Leia as instruções de aviso que se seguem antes de utilizar o produto.

- A utilização incorreta ou descuidada de um produto pode transformá-lo num objeto perigoso que pode causar ferimentos graves e mesmo fatais. É de extrema importância que leia e compreenda o conteúdo deste manual do operador.
- Este produto produz um campo eletromagnético durante o funcionamento. Em determinadas circunstâncias, este campo pode interferir com o funcionamento de implantes médicos ativos ou passivos. Para diminuir o risco de condições que podem causar ferimentos ou morte, recomendamos que os portadores de implantes médicos consultem o seu médico e o fabricante do implante antes de utilizar este produto.
- A sobre-exposição a vibrações pode levar a lesões arteriais ou nervosas em pessoas com problemas no sistema circulatório. Consulte um médico em caso de sintomas relacionados com a sobre-exposição a vibrações. Alguns desses sintomas são entorpecimento, perda de sensibilidade, formigamento, pontadas, dor, perda de força, alterações na cor ou condição da pele. Estes sintomas surgem normalmente nos dedos, mãos ou pulsos. O risco dessas lesões aumenta a baixas temperaturas.
- Se tiver alguma dúvida relativa ao procedimento a seguir, entre em contacto com um técnico especialista. Dirija-se ao seu revendedor ou à sua oficina autorizada. Não utilize funções da máquina para as quais não está preparado.
- Tenha em atenção que o operador é responsável pelos acidentes e situações de perigo provocados a terceiros ou à sua propriedade.
- Nunca permita que outra pessoa utilize o produto sem estar certo de que a mesma entendeu o conteúdo do manual do utilizador.
- Nunca permita que uma criança utilize o produto ou se encontre na proximidade do mesmo. Como o produto está equipado com um interruptor de paragem acionado por mola e é possível arrancá-lo com pouca força e a baixa velocidade, até crianças pequenas podem, em determinadas circunstâncias, exercer a força necessária para o arranque do produto. Isto pode implicar um risco de ferimentos pessoais graves. Por isso, retire sempre a cobertura da vela de ignição quando o produto não estiver sob vigilância.
- Mantenha o produto fora do alcance de crianças.
- Nunca utilize o produto se estiver cansado, se tiver ingerido bebidas alcoólicas ou se estiver a tomar medicação que possa afetar a visão, o discernimento ou a coordenação motora.
- Nunca utilize um produto defeituoso. Siga as instruções de manutenção, controlo e assistência técnica indicadas neste manual. Alguns serviços

de manutenção e de assistência técnica têm de ser executados por especialistas formados e qualificados. Consulte as instruções na secção Manutenção.

- Nunca utilize um produto cujas especificações originais tenham sido alteradas.

## Instruções de segurança para funcionamento



**ATENÇÃO:** Leia as instruções de aviso que se seguem antes de utilizar o produto.

- Nunca utilize o produto em condições climáticas extremas, tais como frio muito intenso ou tempo muito quente e/ou húmido.
- Facas defeituosas podem aumentar o risco de acidente.
- Certifique-se de que ninguém se aproxima a menos de 15 m/50 pés do local de trabalho.
- Observe a vizinhança e certifique-se de que não há risco de pessoas ou animais entrarem em contacto com o equipamento de corte.
- Inspeccione a área de trabalho. Remova objectos que possam ser lançados.
- Certifique-se de que tem uma posição de trabalho segura e estável.
- Nunca deixe o produto sem supervisão com o motor em funcionamento.
- Tenha cuidado para que as mãos e os pés não se aproximem da unidade de corte quando o motor está a trabalhar.
- No caso de qualquer coisa ficar presa nas lâminas no decorrer do trabalho, o motor terá que ser desligado e parado completamente antes de se poder limpar as lâminas. Remova o cabo da vela de ignição da vela. Consulte *Examinar as lâminas na página 281*.
- Ao desligar o motor, mantenha as mãos e os pés afastados da unidade de corte até que o motor esteja totalmente parado.
- Durante a operação de corte, tome cuidado com galhos que possam ser projectados.
- quando estiver a utilizar protectores acústicos, esteja atento a sinais de aviso ou gritos. Retire sempre os protetores acústicos assim que o motor parar.
- Nunca trabalhe de uma escada, banco ou qualquer outra posição elevada, que não seja completamente segura.
- Utilize sempre ambas as mãos para segurar o produto. Mantenha o produto à frente do corpo.
- Se tocar em qualquer objeto ou se ocorrerem vibrações, pare o produto imediatamente. Remova o cabo da vela de ignição da vela. Verifique se o produto não sofreu danos. Repare eventuais danos.

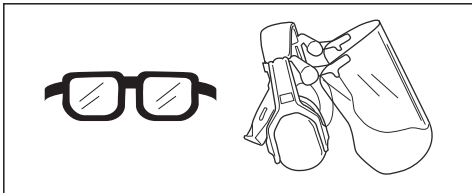
- Verifique se a cobertura e o cabo vela de ignição estão em bom estado para evitar o risco de choque eléctrico.
- Verifique se todos os parafusos e pernos estão apertados correctamente.
- Certifique-se que a engrenagem está correctamente lubrificada. Consulte *Para lubrificar a caixa de engrenagem na página 280*.
- A caixa de engrenagem aquece durante a utilização do produto. Não tocar na engrenagem para evitar queimaduras.
- Antes de ligar a máquina é necessário instalar todas as coberturas e proteções.
- A proteção para transporte deve ser sempre colocada na unidade de corte quando o produto não está a ser utilizado.

## Equipamento de proteção pessoal

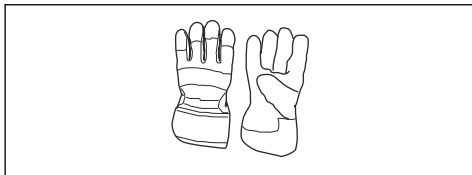


**ATENÇÃO:** Leia as instruções de aviso que se seguem antes de utilizar o produto.

- Utilize sempre equipamento de proteção pessoal aprovado ao utilizar o produto. O equipamento de proteção pessoal não previne totalmente os ferimentos mas diminui a respetiva gravidade em caso de acidente. Obtenha ajuda junto do seu concessionário para seleccionar o equipamento certo.
- Utilize protetores acústicos aprovados com suficiente insonorização. A exposição prolongada a ruídos pode provocar danos auditivos permanentes.
- Utilize proteção ocular aprovada. Mesmo com viseira, é necessário utilizar óculos de proteção aprovados. Consideram-se óculos de proteção aprovados os que estejam conformes com a norma ANSI Z87.1 nos EUA ou EN 166 nos países da UE.



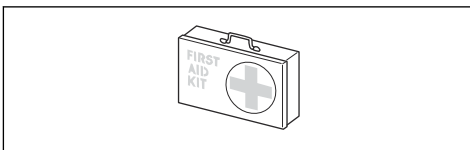
- Use luvas sempre que necessário, por exemplo, ao fixar, examinar ou limpar o acessório de corte.



- Utilize botas ou sapatos antidesslizantes e estáveis.



- Utilize vestuário fabricado com um tecido resistente. Utilize sempre calças e mangas compridas grossas. Não utilize vestuário largo que possa ficar preso em galhos e ramos. Não utilize joias, calções, nem ande de sandálias ou descalço. Coloque o seu cabelo acima dos ombros para maior segurança.
- Mantenha equipamentos de primeiros socorros sempre à mão.



## Dispositivos de segurança no produto



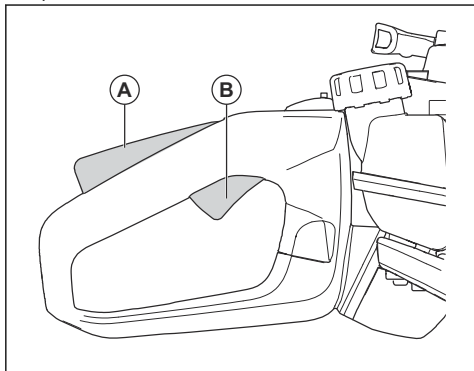
**ATENÇÃO:** Leia as instruções de aviso que se seguem antes de utilizar o produto.

- Não utilize o produto com dispositivos de segurança defeituosos.
- Verifique regularmente os dispositivos de segurança. Se os dispositivos de segurança estiverem defeituosos, fale com a sua oficina Husqvarna autorizada.

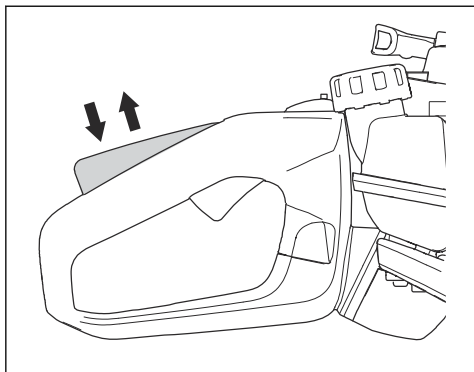
## Verificar o bloqueio do acelerador



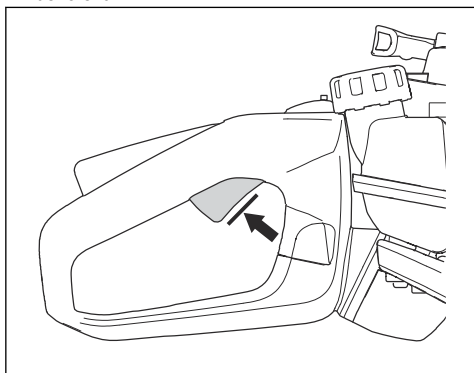
1. Certifique-se de que o bloqueio do acelerador (A) e o respetivo acelerador (B) se movem livremente e que a mola de retorno funciona corretamente.



2. Pressione o bloqueio do acelerador e certifique-se de que este regressa à sua posição inicial quando libertado.



3. Quando soltar o bloqueio do acelerador, certifique-se de que o acelerador está bloqueado na posição de ralenti.



4. Ligue o produto e aplique a aceleração total.

5. Solte o acelerador e certifique-se de que as lâminas param e permanecem paradas.



**ATENÇÃO:** Se as lâminas se moverem com o acelerador na posição de ralenti, ajuste a velocidade ao ralenti do carburador. Consulte *Ajustar o ralenti* na página 279.

#### Verificar o interruptor de paragem

1. Ligue o motor.
2. Coloque o interruptor de paragem na posição de paragem e certifique-se de que o motor para.



**ATENÇÃO:** O interruptor de paragem regressa automaticamente à posição de arranque. Para evitar arranques acidentais, retire a cobertura da vela de ignição aquando da montagem ou da manutenção do produto.

#### Verificar a proteção das mãos

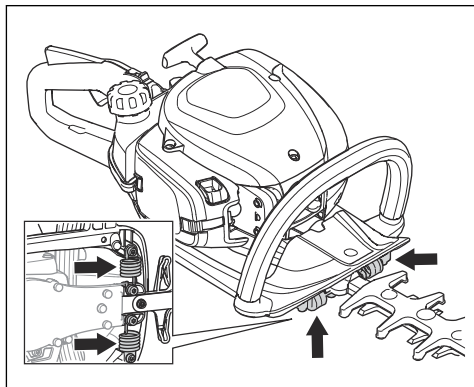
A proteção das mãos evita ferimentos causados pelas lâminas.

1. Desligue o motor.
2. Certifique-se de que a proteção das mãos está corretamente montada.
3. Examine a proteção das mãos quanto à existência de danos.

#### Verificar o sistema antivibração

O sistema antivibração reduz a vibração nos punhos. As unidades antivibração funcionam como uma separação entre o corpo do produto e a unidade do punho.

1. Efetue uma inspeção visual para verificar se existem deformações ou danos.
2. Certifique-se de que as unidades antivibração se encontram corretamente instaladas.



## Verificar o silenciador



**ATENÇÃO:** Não utilize o produto sem o silenciador ou com um silenciador defeituoso. Um silenciador defeituoso pode aumentar o nível de ruído e o risco de incêndio. Não utilize o produto sem uma rede retentora de faíscas ou com uma que esteja danificada. A rede retentora de faíscas tem de ser substituída se estiver danificada.



**ATENÇÃO:** Os silenciadores aquecem muito durante e após a utilização, e também à velocidade de ralenti.



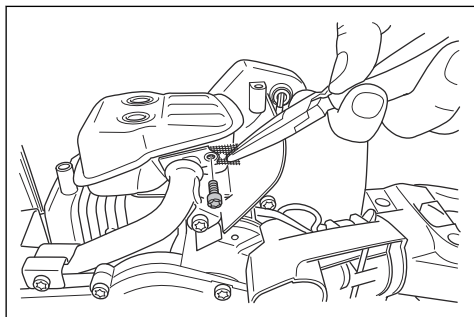
**CUIDADO:** Se a rede retentora de faíscas estiver frequentemente obstruída, pode ser indício de que o desempenho do catalisador está reduzido. Contacte o seu revendedor com assistência técnica para examinar o silenciador. Uma rede retentora de faíscas obstruída provoca sobreaquecimento, danificando o cilindro e o pistão.



**ATENÇÃO:** As superfícies interiores do silenciador contêm químicos que podem provocar cancro. Tenha cuidado para não tocar nestes produtos caso o silenciador esteja danificado.

O silenciador mantém o mais baixo nível de ruído possível e afasta os gases de escape do utilizador. Um silenciador com um catalisador reduz os gases de escape nocivos.

1. Desligue o motor.
2. Efetue uma inspeção visual para verificar se existem danos ou deformações.
3. Certifique-se de que o silenciador está devidamente instalado no produto.
4. Limpe a rede retentora de faíscas com uma escova metálica.



## Verificar as lâminas e a proteção da lâmina

A parte exterior das lâminas funciona como uma proteção da lâmina. A proteção da lâmina evita ferimentos de corte.

1. Pare o motor e certifique-se de que as lâminas param.
2. Remova a cobertura da vela de ignição da vela de ignição.
3. Calce as luvas de proteção.
4. Certifique-se de que a lâmina e a proteção da lâmina não estão danificadas nem dobradas. Substitua sempre uma lâmina danificada ou dobrada ou uma proteção da lâmina danificada.
5. Certifique-se de que os parafusos que fixam as lâminas e a proteção da lâmina estão bem apertados.

## Segurança no manuseamento do combustível



**ATENÇÃO:** Leia as instruções de aviso que se seguem antes de utilizar o produto.

- Não ligue o produto se houver combustível ou óleo do motor sobre o produto. Remova o combustível/ óleo indesejado e deixe o produto secar.
- Se derramar combustível na sua roupa, troque de roupa imediatamente.
- Não deixe que o combustível entre em contacto com o seu corpo, pois pode causar ferimentos. Se o combustível entrar em contacto com o seu corpo, use sabão e água para o remover.
- Não ligue o produto se o motor tiver uma fuga. Examine regularmente o motor quanto a fugas.
- Tenha cuidado com o combustível. O combustível é inflamável e os gases são explosivos e podem causar ferimentos ou morte.
- Não respire os gases do combustível, podem causar ferimentos. Certifique-se de que existe um fluxo de ar suficiente.
- Não fume perto de combustível ou do motor.
- Não coloque objetos quentes perto do combustível ou do motor.
- Não acrescente combustível com o motor em funcionamento.
- Certifique-se de que o motor está frio antes de reabastecer.
- Antes de reabastecer, abra lentamente a tampa do depósito de combustível e liberte a pressão com cuidado.
- Não adicione combustível ao motor numa área interior. O fluxo de ar insuficiente pode causar ferimentos ou morte devido a asfixia ou monóxido de carbono.
- Aperte completamente a tampa de depósito de combustível. Se a tampa de depósito de combustível não estiver apertada, existe um risco de incêndio.

- Desloque o produto a uma distância mínima de 3 m (10 pés) da posição onde abasteceu o depósito antes de começar.
- Não encha totalmente o depósito de combustível. O calor provoca a expansão do combustível. Mantenha um espaço na parte superior do depósito de combustível.

## Instruções de segurança para manutenção



**ATENÇÃO:** Leia as instruções de aviso que se seguem antes de utilizar o produto.

- Pare o motor e certifique-se de que o equipamento de corte para. Deixe o produto arrefecer antes de efetuar a manutenção.
- Retire a cobertura da vela de ignição antes de efetuar a manutenção.
- Os gases de escape do motor contêm monóxido de carbono, um gás inodoro, tóxico e altamente

perigoso que pode provocar a morte. Não utilize o produto em zonas interiores ou espaços fechados.

- Os gases de escape do motor são quentes e podem conter faíscas. Não opere o produto em locais fechados ou próximo de materiais inflamáveis.
- A utilização de acessórios e a realização de alterações no produto que não sejam aprovadas pelo fabricante podem causar ferimentos graves ou morte. Não altere o produto. Utilize sempre acessórios originais.
- Se a manutenção não for realizada de forma correta e regular, existe um maior risco de ferimentos e danos ao produto.
- Realize apenas a manutenção recomendada neste manual do utilizador. A manutenção deve ser realizada por uma oficina autorizada da Husqvarna.
- Leve o produto regularmente a uma oficina Husqvarna autorizada para realizar a manutenção.
- Substitua as peças danificadas, gastas ou partidas.

## Funcionamento

### Introdução



**ATENÇÃO:** Certifique-se de que lê e compreende o capítulo sobre segurança antes de usar o produto.



**CUIDADO:** Não utilize gasolina com um índice de octanas inferior a 90 RON/87 AKI. A utilização de um índice de octanas inferior pode causar batimento do motor, o que provoca danos no motor.

### Combustível

Este produto tem um motor de dois tempos.



**CUIDADO:** O tipo errado de combustível pode resultar em danos no motor. Utilize uma mistura de gasolina e óleo para motor de dois tempos.

#### Óleo para motores a dois tempos

- Para obter melhores resultados e desempenho, use o óleo para motor de dois tempos da Husqvarna.
- Se o óleo para motores de dois tempos da Husqvarna não estiver disponível, use um óleo para motores de dois tempos de boa qualidade destinado a motores arrefecidos a ar. Entre em contacto com o seu revendedor com assistência técnica para seleccionar o óleo correto.

### Combustível previamente misturado

- Utilize combustível alquilado previamente misturado da Husqvarna para obter o melhor desempenho e prolongar a vida útil do motor. Este combustível contém substâncias químicas menos nocivas em comparação com o combustível normal, o que reduz os gases de escape nocivos. A quantidade de resíduos após a combustão é inferior com este combustível, o que mantém os componentes do motor mais limpos.



**CUIDADO:** Não use óleo para motores de dois tempos formulado para motores fora de borda arrefecidos a água, também conhecido como óleo para motores fora de borda. Não utilize óleo para motores a quatro tempos.

### Para misturar o combustível

#### Gasolina

- Utilize gasolina sem chumbo de boa qualidade com um conteúdo de etanol de, no máximo, 10%.

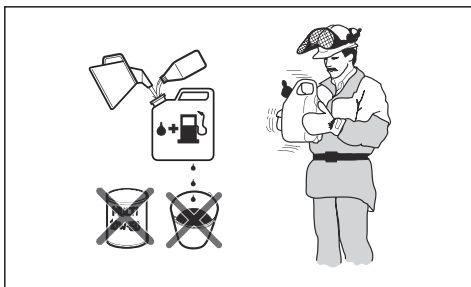
#### Misturar gasolina e óleo para motores de dois tempos

Gasolina, litros	Óleo para motor de dois tempos, litros
	2% (50:1)

5	0,10
10	0,20
15	0,30
20	0,40



**CUIDADO:** Ao misturar pequenas quantidades de combustível, existe o risco de pequenos erros poderem influenciar drasticamente a proporção da mistura. Meça cuidadosamente a quantidade de óleo e certifique-se de que obtém a mistura correta.



1. Encha metade da quantidade de gasolina num recipiente limpo para combustível.
2. Adicione a quantidade total de óleo.
3. Agite bem a mistura de combustível.
4. Adicione a restante quantidade de gasolina ao recipiente.
5. Agite cuidadosamente a mistura de combustível.



**CUIDADO:** Não misture combustível para mais de 1 mês de cada vez.

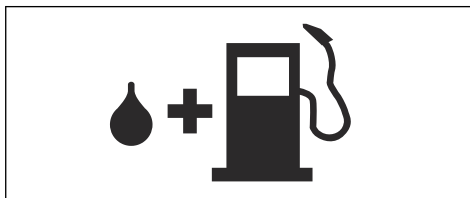
## Para encher o depósito de combustível



**ATENÇÃO:** Cumpra o procedimento que se segue para sua segurança.

1. Desligue o motor e deixe-o arrefecer.

2. Limpe bem à volta da tampa do depósito de combustível.



3. Agite ligeiramente o recipiente e certifique-se de que o combustível fica totalmente misturado.
4. Retire a tampa do depósito de combustível lentamente para libertar a pressão.
5. Encha o depósito de combustível.



**CUIDADO:** Certifique-se de que não existe demasiado combustível no respetivo depósito. O combustível expande-se quando fica quente.

6. Aperte com cuidado a tampa do depósito de combustível.
7. Limpe o combustível derramado sobre e à volta do produto.
8. Antes de ligar o motor, afaste o produto, no mínimo, 3 m/10 pés da fonte de combustível e do local de abastecimento.

**Nota:** Para ver onde se encontra o depósito de combustível no seu produto, consulte *Vista geral do produto na página 269*.

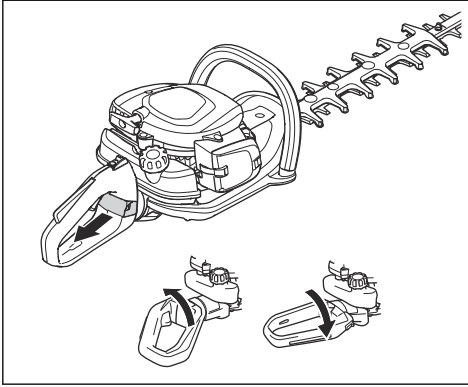
## Instalar a proteção da ponta da lâmina

1. Retire a porca e o parafuso da ponta da lâmina.
2. Instale a proteção da ponta da lâmina na respetiva ponta da lâmina.
3. Instale o parafuso e aperte com um binário de 7 Nm.
4. Instale a porca e aperte com um binário de 5 Nm.

## Ajustar o punho

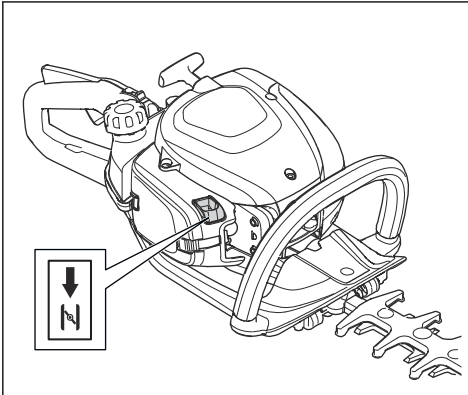
O punho traseiro pode ser ajustado para 3 posições.

- Solte o bloqueio do punho e rode o punho.



## Para ligar o produto com o motor frio

1. Puxe o controle do estrangulador para a posição de estrangulação.



2. Pressione a ampola da bomba de combustível aproximadamente 6 vezes, ou até começar a entrar combustível na ampola. Não é necessário encher a ampola da purga de ar totalmente.
3. Apoie o corpo do produto contra o solo com a mão esquerda. Não pise o produto.
4. Puxe o punho do cabo de arranque lentamente, com a mão direita, até começar a sentir alguma resistência e, em seguida, puxe o punho do cabo de arranque rapidamente e com força.



**ATENÇÃO:** Não enrole o cabo de arranque à volta da sua mão.



**CUIDADO:** Não puxe totalmente o cabo de arranque e não solte o punho do cabo de arranque.

5. Continue a puxar o punho do cabo de arranque até que o motor arranque e, em seguida, pressione o controle do estrangulador para a respetiva posição inicial.



**ATENÇÃO:** As lâminas movem-se quando o motor arranca.

6. Continue a puxar o punho do cabo de arranque até o motor arrancar.
7. Prima e solte o acelerador para colocar o motor na velocidade de ralenti.
8. Empurre o acelerador gradualmente para aumentar a velocidade do motor.
9. Certifique-se de que o motor funciona sem problemas.

## Para ligar o produto com o motor quente

1. Apoie o corpo do produto contra o solo com a mão esquerda. Não pise o produto.
2. Puxe o punho do cabo de arranque lentamente, com a mão direita, até começar a sentir alguma resistência e, em seguida, puxe o punho do cabo de arranque rapidamente e com força. Continue até que o motor arranque.

**Nota:** Para mais informações sobre como ligar o produto, consulte *Para ligar o produto com o motor frio* na página 277.

## Para desligar o produto

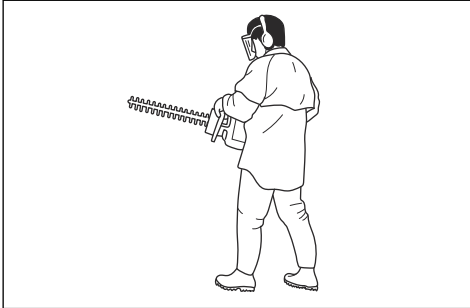
- Coloque o interruptor de paragem na posição de paragem para parar o motor.



**CUIDADO:** O interruptor de paragem regressa automaticamente à sua posição original.

## Utilizar o produto

1. Comece perto do chão e eleve o produto ao longo da sebe ao cortar as laterais. Certifique-se de que o corpo do produto não toca na sebe.



**ATENÇÃO:** Certifique-se de que a dianteira do equipamento de corte não toca no chão.

2. Ajuste a velocidade de forma a alinhar com a carga de trabalho.
3. Mantenha o produto perto do corpo para uma posição de trabalho estável.
4. Tenha cuidado e utilize o produto lentamente.

## Manutenção

### Introdução

antes de realizar tarefas de manutenção no produto.



**ATENÇÃO:** Certifique-se de que leu e compreendeu o capítulo sobre segurança

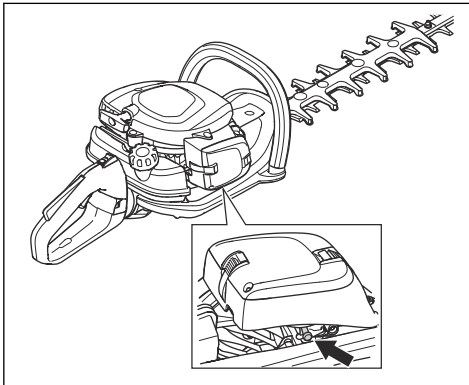
### Esquema de manutenção

Manutenção	Antes da utilização	Após 40 h	Após 100 h
Limpe a superfície externa.		Após cada operação.	
Limpe as folhas, sujidade e excesso de lubrificante do silenciador, tubo de escape e motor.		Após cada operação.	
Certifique-se de que o equipamento de corte não se move em ralenti.	X		
Verifique o interruptor de paragem.	X		
Examine o equipamento de corte e a proteção do equipamento de corte quanto à existência de danos e fissuras. Se estiver danificado, substitua.	X		
Examine a proteção das mãos quanto à existência de danos e fissuras. Se estiver danificado, substitua.	X		
Verifique o bloqueio do acelerador e o acelerador.	X		
Examine o motor, o depósito de combustível e os tubos de combustível quanto a fugas.	X		
Aperte as porcas e os parafusos.	X		
Verifique o filtro de combustível quanto à existência de contaminação e a mangueira de combustível quanto a fissuras e outros defeitos. Proceda à substituição, se necessário.	X		
Verifique o dispositivo de arranque e a corda de arranque quanto a danos.		X	
Limpe o filtro de ar. Substitua, se necessário.		X	

Manutenção	Antes da utilização	Após 40 h	Após 100 h
Examine as unidades antivibração quanto à existência de danos e fissuras.		X	
Examine a vela de ignição, consulte <i>Examinar a vela de ignição na página 279</i> .		X	
Limpe o sistema de arrefecimento.		X	
Limpe a superfície exterior do carburador e a área circundante.		X	
Limpe ou substitua a rede retentora de faíscas.			X
Limpe a superfície interior do depósito de combustível.			X
Examine a vela de ignição.			X
Certifique-se de que a caixa de engrenagem está cheia de massa lubrificante.			X

## Ajustar o ralenti

1. Limpe o filtro de ar e fixe a cobertura do filtro de ar.
2. Arranque o produto, consulte *Para ligar o produto com o motor frio na página 277*.
3. Rode o parafuso de ajuste de ralenti em T para a direita até que o acessório de corte comece a mover-se.



4. Rode o parafuso de ajuste do ralenti para a esquerda até o acessório de corte parar.



**ATENÇÃO:** Se o acessório de corte não parar quando ajusta o ralenti, contacte o seu revendedor de assistência mais próximo. Não utilize o produto até que esteja devidamente ajustado ou reparado.

**Nota:** O ralenti está correto se o motor funcionar suavemente em todas as posições. Consulte *Especificações técnicas na página 281* para obter mais informações sobre o ralenti recomendado.

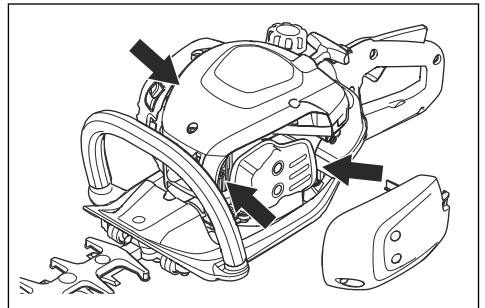
## Limpar o sistema de arrefecimento

O sistema de arrefecimento mantém a temperatura do motor baixa. O sistema de arrefecimento inclui as aletas de arrefecimento no cilindro e na caixa do dispositivo de arranque.



**CUIDADO:** A admissão de ar entre o depósito de combustível e o cárter é facilmente bloqueada por folhas. Limpe totalmente a admissão de ar.

1. Limpe o sistema de arrefecimento com uma escova semanalmente ou com maior frequência se necessário.
2. Certifique-se de que o sistema de arrefecimento não está sujo ou obstruído.



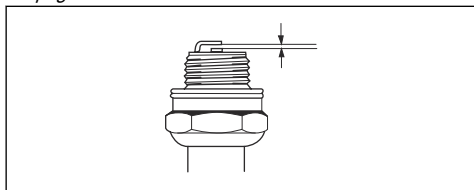
## Examinar a vela de ignição



**CUIDADO:** utilize sempre o tipo de vela de ignição recomendado. Um tipo de vela de ignição incorreto pode provocar danos no produto.

- Examine a vela de ignição para verificar se o motor apresenta uma potência reduzida ou dificuldades de arranque, ou se não funciona corretamente ao ralenti.

- Para diminuir o risco de materiais indesejados nos elétrodos da vela de ignição, siga estas instruções:
  - a) Assegure-se de que a rotação em vazio está corretamente regulada.
  - b) Certifique-se de que a mistura de combustível está correta.
  - c) Certifique-se de que o filtro de ar está limpo.
- Se a vela de ignição estiver suja, limpe-a e certifique-se de que a distância entre os elétrodos está correta; consulte *Especificações técnicas na página 281*.

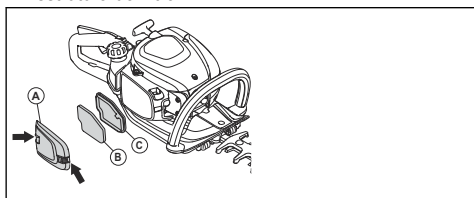


- Se for necessário, substitua a vela de ignição.

## Para limpar o filtro de ar

Limpe regularmente a sujidade e a poeira presentes no filtro de ar. Isto evita avarias no carburador, problemas de arranque, perda de potência do motor, desgaste das peças do motor e um consumo de combustível superior ao habitual.

1. Retire a cobertura do filtro de ar (A).
2. Retire o filtro de espuma (B) e o filtro de feltro (C) da estrutura do filtro.



3. Substitua o filtro de feltro (C).
4. Limpe o filtro de espuma (B) com água quente com sabão.

**Nota:** Um filtro de ar que é utilizado durante muito tempo não pode ficar completamente limpo. Substitua o filtro de ar regularmente e substitua sempre um filtro de ar com defeito.

5. Certifique-se de que o filtro de espuma (B) está seco.
6. Aplique óleo do filtro de ar no filtro de espuma (B). Consulte *Aplique óleo no filtro de ar na página 280*
7. Limpe a superfície interior da cobertura do filtro de ar (A). Utilize ar comprimido ou uma escova.

## Aplique óleo no filtro de ar

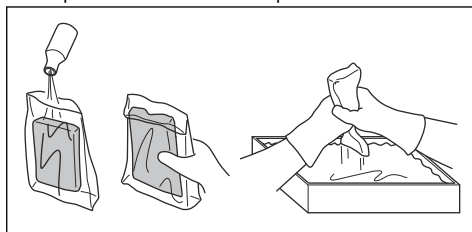


**CUIDADO:** Utilize sempre o óleo do filtro de ar especial da Husqvarna. Não utilize outros tipos de óleo.



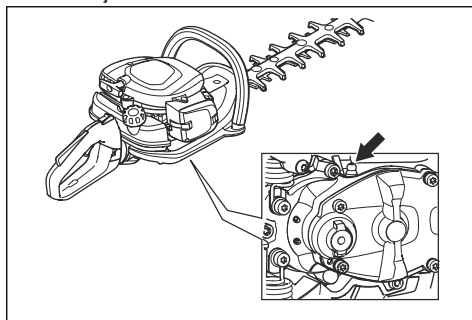
**ATENÇÃO:** Calce as luvas de proteção. O óleo do filtro de ar pode provocar irritações cutâneas.

1. Coloque o filtro de ar num saco de plástico.
2. Coloque o óleo no saco de plástico.
3. Esfregue o saco de plástico para distribuir o óleo uniformemente pelo filtro de ar.
4. Empurre o óleo indesejado para fora do filtro de ar enquanto estiver no saco de plástico.



## Para lubrificar a caixa de engrenagem

- Utilize massa lubrificante especial Husqvarna. Para mais informações sobre a massa lubrificante recomendada, contacte o seu revendedor com assistência técnica.
- Adicione a massa lubrificante através do bocal de lubrificação.



**CUIDADO:** Não encha completamente a caixa de engrenagem.

## Limpar e lubrificar as lâminas

1. Limpe os materiais indesejados das lâminas antes e depois de utilizar o produto.



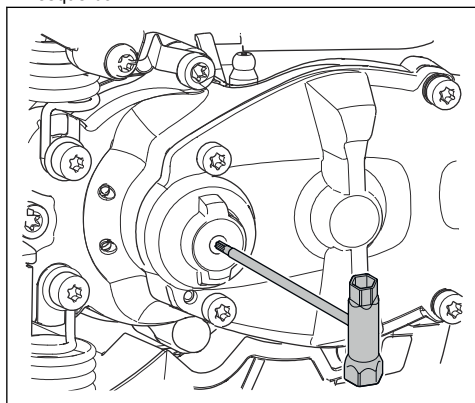
2. Lubrifique as lâminas antes de longos períodos de armazenamento.

**Nota:** Para mais informações sobre os lubrificantes e os agentes de limpeza recomendados, contacte o seu revendedor com assistência técnica.

3. Examine as extremidades das lâminas quanto à existência de danos ou deformações.
4. Utilize uma lima para retirar as rebarbas nas lâminas.

## Examinar as lâminas

1. Retire a tampa na caixa de engrenagem.
2. Certifique-se de que as lâminas se movem livremente. Coloque a chave combinada na caixa de engrenagem e rode para a direita e para a esquerda.



## Transporte, armazenamento e eliminação

### Transporte e armazenamento

- Deixe sempre o produto arrefecer antes de o armazenar.
  - Para o transporte e armazenamento do produto e do combustível, certifique-se de que não existem fugas ou fumos. Faíscas ou chamas abertas, por exemplo de dispositivos elétricos ou mesmo caldeiras, podem causar um incêndio.
  - Utilize recipientes aprovados para o transporte e armazenamento de combustível.
  - Esvazie o depósito de combustível antes do transporte ou do armazenamento a longo prazo.
- Elimine o combustível numa localização de eliminação aplicável.
  - Fixe a proteção para transporte durante o transporte e armazenamento.
  - Remova a cobertura da vela de ignição da vela de ignição.
  - Prenda o produto durante o transporte. Certifique-se de que o produto não se move.
  - Limpe e efetue a manutenção do produto antes do armazenamento a longo prazo.

## Especificações técnicas

### Especificações técnicas

	522HD60X	522HDR60X	522HDR75X
<b>Motor</b>			
Cilindrada, cm <sup>3</sup>	21,7	21,7	21,7

	<b>522HD60X</b>	<b>522HDR60X</b>	<b>522HDR75X</b>
Velocidade ao ralenti, rpm	3000	3000	3000
Rotação máxima recomendada, rpm	9200	9200	9200
Potência máxima do motor de acordo com a norma ISO 8893, kW/cv a rpm	0,6/0,8 @ 7800	0,6/0,8 @ 7800	0,6/0,8 @ 7800
Silenciador com catalisador	Sim	Sim	Sim
<b>Sistema de ignição</b>			
Vela de ignição	NGK CMR6A	NGK CMR6A	NGK CMR6A
Distância entre os eletrodos, mm	0,5	0,5	0,5
<b>Combustível</b>			
Capacidade do depósito de combustível, l/cm <sup>3</sup>	0,45/450	0,45/450	0,45/450
<b>Peso</b>			
Sem combustível, kg	4,9	5,0	5,2
<b>Emissões de ruído</b> <sup>55</sup>			
Nível de potência sonora, dB(A) medidos	101	101	101
Nível de potência sonora, garantido L <sub>WA</sub> dB (A)	102	102	102
<b>Níveis acústicos</b> <sup>56</sup>			
Nível de pressão sonora equivalente ao nível do ouvido do operador, medido de acordo com a norma EN ISO 10517, dB(A)	93	93	93
<b>Níveis de vibração</b> <sup>57</sup>			
Níveis de vibração equivalentes (a <sub>h<sub>v</sub>,eq</sub> ) nos punhos, medidos de acordo com a EN ISO 10517, m/s <sup>2</sup> :			
Dianteiro/traseiro, mm/s <sup>2</sup>	2,7/1,2	2,8/1,3	2,1/2,2
<b>Lâminas</b>			
Tipo	Duplas	Duplas	Duplas
Comprimento de corte, mm	600	600	750
Velocidade de corte, cortes/min	4400	3200	3200

<sup>55</sup> Emissões de ruído para as imediações, medidas sob forma de potência sonora (L<sub>WA</sub>) em conformidade com a diretiva da CE 2000/14/CE. O nível de potência sonora registado para o produto foi medido com o equipamento de corte original que debita o nível mais alto. A diferença entre a potência sonora garantida e medida é que a potência sonora garantida inclui também a dispersão no resultado da medição e as variações entre diferentes produtos do mesmo modelo, de acordo com a diretiva 2000/14/CE.

<sup>56</sup> Os dados comunicados relativamente ao nível de pressão de ruído têm uma dispersão estatística típica (desvio padrão) de 1 dB (A).

<sup>57</sup> Os dados comunicados relativamente ao nível de vibração têm uma dispersão estatística típica (desvio padrão) de 1 m/s<sup>2</sup>.

# Declaração de conformidade

## Declaração UE de conformidade

A **Husqvarna AB**, SE-561 82 Huskvarna, Suécia,  
tel.: +46-36-146500, declara, sob sua inteira  
responsabilidade, que o produto:

<b>Descrição</b>	Corta-sebes
<b>Marca</b>	Husqvarna
<b>Tipo/Modelo</b>	522HD60X, 522HDR60X, 522HDR75X
<b>Identificação</b>	Números de série referentes a 2022 e posteriores

está em plena conformidade com as seguintes diretivas  
e regulamentos da UE:

<b>Regulamento</b>	<b>Descrição</b>
2006/42/CE	"relativa a máquinas"
2014/30/UE	"relativa à compatibilidade eletromagnética"
2000/14/CE	"relativa a emissões de ruído para o ambiente"
2011/65/UE	"relativa à restrição do uso de determinadas substâncias perigosas em equipamento elétrico e eletrônico"

e que as seguintes normas e/ou especificações técnicas  
são aplicadas: EN ISO 12100:2021, CISPR 12: 2009,  
EN ISO 10517:2009/A1:2013, EN IEC 63000:2018.

A RISE SMP Svensk Maskinprovning AB, . realizou o  
exame de tipo voluntário em nome da Husqvarna AB.  
Número do certificado: SEC/18/2518.

A RISE SMP Svensk Maskinprovning AB, , atribuiu  
a certificação de conformidade com a Diretiva do  
Conselho 2000/14/CE de 8 de maio de 2000  
"referente a emissões de ruído para o ambiente".  
Números dos certificados: 01/094/026-522HD60X,  
01/094/027-522HDR60X, 522HDR75X.

Para mais informações sobre as emissões de ruído,  
consulte *Especificações técnicas na página 281*.

Huskvarna, 2022-05-09

Stefan Holmberg, diretor de I&D, gestão de tecnologia,  
Husqvarna AB

Responsável pela documentação técnica

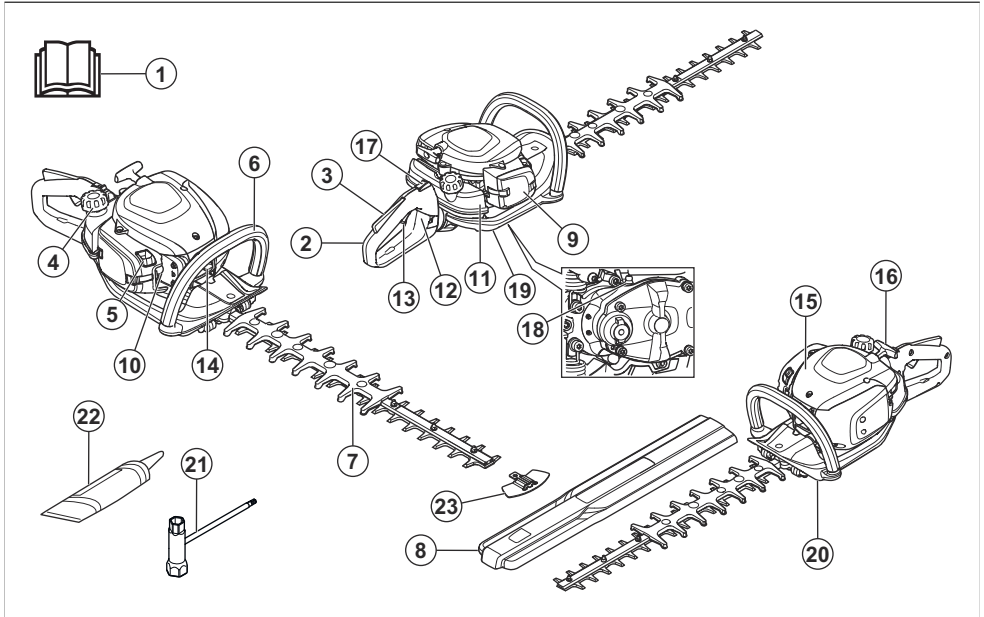


# CUPRINS

Introducere.....	284	Transportul, depozitarea și eliminarea.....	296
Siguranță.....	285	Date tehnice.....	296
Funcționarea.....	290	Declarație de conformitate.....	298
Întreținerea.....	292		

## Introducere

### Prezentarea generală a produsului



- |  |                                      |
|--|--------------------------------------|
| 1. Manualul operatorului               | 17. Comutator oprire                 |
| 2. Mâner din spate                     | 18. Niplu de ungere                  |
| 3. Element blocare pârghie accelerație | 19. Carcasă angrenaj                 |
| 4. Bușon rezervor de carburant         | 20. Apărătoare de mână               |
| 5. Acționare șoc                       | 21. Cheie combinată                  |
| 6. Mâner frontal                       | 22. Tub de unsoare                   |
| 7. Disc și apărătoare disc             | 23. Protecție pentru vârful discului |
| 8. Apărătoare pentru transport         |                                      |
| 9. Capac filtru de aer                 |                                      |
| 10. Buton purjor aer                   |                                      |
| 11. Rezervor de carburant              |                                      |
| 12. Blocare mâner                      |                                      |
| 13. Pârghie accelerație                |                                      |
| 14. Capacul bujiei și bujia            |                                      |
| 15. Capacul cilindrului                |                                      |
| 16. Mâner pentru șnurul de pornire     |                                      |

### Descrierea produsului

Acest produs este un foarfece de grădină cu un motor cu combustie internă.

### Domeniul de utilizare

Utilizați produsul pentru a tăia ramurile și crengile. Nu utilizați produsul pentru alte sarcini.

## Simbolurile de pe produs



Oprire.



Acționați cu grijă și utilizați corect produsul. Acest produs poate cauza vătămări corporale grave sau decesul operatorului sau al altor persoane.



Citiți cu atenție manualul operatorului și asigurați-vă că înțelegeți instrucțiunile înainte de utilizare.



Utilizați protecția de auz și ochelarii de protecție aprobate.



Utilizați mănuși de protecție omologate.



Utilizați ghete pentru regim greu de lucru, rezistente la alunecare.

# T

Șurub de reglare a mersului în gol.

# H

Ac pentru turație ridicată.

# L

Ac pentru turație redusă.



Emisiile de zgomot în mediu, conform Directivei Europene 2000/14/CE și a Regulamentului New South Wales din 2017 privind operațiunile de protecție a mediului (controlul zgomotului). Datele privind emisiile de zgomot pot fi găsite pe eticheta utilajului și la capitolul Date tehnice.

# CE

Produsul este în conformitate cu directivele CE aplicabile.

# UK CA

Acest produs este în conformitate cu reglementările aplicabile din Regatul Unit.

aaaaassxxxx

Plăcuța de identificare indică seria. **aaaa** este anul fabricației și **ss** este săptămâna fabricației.

**Nota:** Celelalte simboluri/autocolante de pe produs se referă la cerințele de certificare pentru unele piețe.

## Emisiile de Euro V



**AVERTISMENT:** În urma modificării neautorizate a motorului, este anulată aprobarea de tip UE pentru acest produs.

## Siguranță

### Definiții privind siguranța

Avertismentele, atenționările și notele sunt utilizate pentru a desemna părți foarte importante din manual.



**AVERTISMENT:** Se utilizează dacă există risc de vătămare sau de deces pentru operator sau pentru trecători, în cazul în care instrucțiunile din manual nu sunt respectate.



**ATENȚIE:** Se utilizează dacă există un risc de deteriorare a produsului, a altor materiale sau a zonelor învecinate, dacă instrucțiunile din manual nu sunt respectate.

**Nota:** Se utilizează pentru a furniza mai multe informații care sunt necesare într-o situație dată.

### Instrucțiuni generale de siguranță



**AVERTISMENT:** Înainte de a utiliza produsul, citiți instrucțiunile de avertizare de mai jos.

- Utilizarea incorectă sau neatentă a produsului îl poate transforma într-o unealtă periculoasă, care poate cauza vătămări corporale grave sau chiar mortale. Este foarte important să citiți și să înțelegeți conținutul acestui manual al operatorului.
- În timpul funcționării, acest produs produce un câmp electromagnetic. În anumite condiții, acest câmp

poate interfera cu implanturile medicale active sau pasive. Pentru a scădea riscul de afecțiuni care pot conduce la vătămare sau la deces, recomandăm persoanelor cu implanturi medicale să consulte medicul și producătorul implantului medical înainte de a utiliza produsul.

- Expunerea prelungită la vibrații poate conduce la afecțiuni circulatorii sau la deteriorări ale nervilor la persoane care au o circulație defectuoasă. Contactați-vă medicul dacă prezentați simptome de expunere prelungită la vibrații. Astfel de simptome includ amorțeală, pierderea sensibilității tactile, gâdilături, ciupituri, durere, pierderea forței, modificări în culoarea sau starea pielii. Aceste simptome apar în mod normal la degete, mâini sau încheieturi. Riscul crește la temperaturi scăzute.
- Dacă întâlniți o situație în care nu știți sigur cum să procedați, trebuie să întrebați un specialist. Contactați distribuitorul sau atelierul de service. Evitați utilizările care, în opinia dvs., vă depășesc abilitățile.
- Rețineți că operatorul este responsabil pentru accidente sau pericolele produse altor oameni sau proprietăților acestora.
- Nu permiteți nimănui să folosească produsul înainte de a vă asigura că a înțeles conținutul manualului operatorului.
- Nu permiteți copiilor să folosească produsul sau să stea în apropierea acestuia. Deoarece produsul este echipat cu un comutator de oprire acționat de arc și poate fi pornit prin acționarea mânerului de pornire cu viteză și forță scăzute, în anumite împrejurări chiar și copiii mici pot produce forța necesară pentru pornirea produsului. Există riscul unor vătămări corporale grave. Prin urmare, îndepărtați capacul bujiei dacă produsul nu se află sub supraveghere atentă.
- Nu depozitați produsul la îndemâna copiilor.
- Nu utilizați niciodată produsul dacă sunteți obosit, dacă ați consumat alcool sau dacă luați medicamente care v-ar putea afecta vederea, judecata sau coordonarea.
- Nu utilizați niciodată un produs care este defect. Efectuați verificările, operațiile de întreținere și de service descrise în acest manual. Anumite operații de întreținere și de service trebuie efectuate de specialiști instruiți și calificați. Consultați instrucțiunile din subcapitolul Întreținerea.
- Nu utilizați niciodată un produs care a fost modificat în orice mod față de specificația sa inițială.

## Instrucțiuni de siguranță pentru utilizare



**AVERTISMENT:** Înainte de a utiliza produsul, citiți instrucțiunile de avertizare de mai jos.

- Nu utilizați niciodată produsul în condiții meteorologice extreme, precum climate cu

temperaturi extrem de scăzute, foarte ridicate și/sau climate umede.

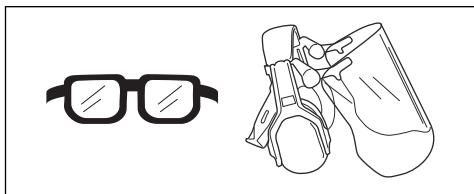
- Discurile defecte pot crește pericolul de accidente.
- Asigurați-vă că nu se apropie nimeni la mai mult de 15 m / 50 ft. în timp ce lucrați.
- Respectați mediul înconjurător și asigurați-vă că nu există riscul ca alte persoane sau animale să vină în contact cu echipamentul de tăiere.
- Inspectați zona de lucru. Îndepărtați orice obiecte care ar putea fi proiectate.
- Asigurați-vă întotdeauna că aveți o poziție de lucru sigură și stabilă.
- Nu lăsați niciodată produsul nesupravegheat cu motorul în funcțiune.
- Asigurați-vă că mâinile și picioarele nu se apropie de dispozitivul de tăiere atunci când motorul este pornit.
- În cazul în care discurile sunt blocate în timpul lucrului, deconectați motorul și așteptați oprirea completă a acestuia înainte de a curăța discurile. Deconectați conductorul de înaltă tensiune de pe bujie. Consultați *Pentru a examina discurile la pagina 295*.
- Când motorul este oprit, țineți mâinile și picioarele la distanță de dispozitivul de tăiere până când acesta s-a oprit complet.
- Atenție la cioturile de ramuri care pot fi aruncate în timpul tăierii.
- Ascultați semnalele de avertisment sau strigătele când purtați echipament pentru protecția auzului. Îndepărtați echipamentul pentru protecția auzului imediat ce se oprește motorul.
- Nu lucrați niciodată de pe o scară, un taburet sau din orice altă poziție ridicată care nu este complet fixată.
- Utilizați întotdeauna ambele mâini pentru a ține produsul. Țineți produsul în fața corpului dvs.
- Dacă loviți un obiect sau dacă observați vibrații, opriți imediat produsul. Deconectați conductorul de înaltă tensiune de pe bujie. Asigurați-vă că produsul nu este deteriorat. Remediați orice defecțiuni.
- Asigurați-vă că pipa bujiei și cablul de aprindere nu sunt deteriorate, pentru a preveni riscul de șoc electric.
- Verificați ca toate șuruburile și piulițele să fie bine strânse.
- Asigurați-vă că carcasa angrenajului este unsă corect. Consultați *Pentru a unge carcasa angrenajului la pagina 295*.
- Carcasa angrenajului devine fierbinte după utilizarea produsului. Pentru a evita să vă ardeți nu atingeți carcasa angrenajului.
- Înainte de pornire trebuie montate toate capacele și apărătorile.
- Apărătoarea pentru transport trebuie montată întotdeauna pe dispozitivul de tăiere când produsul nu este în uz.

## Echipament de protecție personală

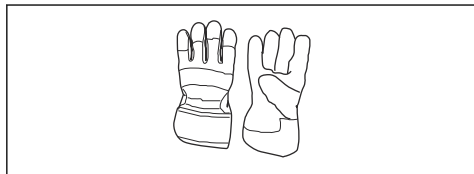


**AVERTISMENT:** Înainte de a utiliza produsul, citiți instrucțiunile de avertizare de mai jos.

- Utilizați întotdeauna echipamente de protecție personală atunci când folosiți produsul. Echipamentele de protecție personală nu pot elimina complet riscul de rănire, însă pot reduce gravitatea rănilor în cazul unui accident. Distribuitorul vă poate ajuta să alegeți echipamentul corect.
- Purtați echipament de protecție pentru urechi aprobat pentru utilizare, care asigură reducerea adecvată a zgomotului. Expunerea pe termen lung la zgomot poate avea ca rezultat o afecțiune ireversibilă a auzului.
- Utilizați ochelari de protecție omologați. Dacă utilizați un vizor de protecție, trebuie să purtați și ochelari de protecție. Ochelarii de protecție trebuie să fie compatibili cu standardul ANSI Z87.1 în S.U.A. sau EN 166 în țările UE.



- Purtați mănuși atunci când este necesar, de exemplu atunci când conectați, inspectați sau curățați echipamentul de tăiere.



- Utilizați ghețe sau pantofi solizi, cu talpă antiderapantă.



- Purtați haine din țesături rezistente. Purtați întotdeauna pantaloni lungi, din material gros, și îmbrăcăminte cu mâneci lungi. Nu purtați haine largi, care se pot prinde în smicele și ramuri. Nu purtați bijuterii, șort, sandale și nu lucrați în picioarele goale.

Strângeți-vă părul în siguranță, deasupra nivelului umărului.

- Păstrați la îndemână echipament de prim ajutor.



## Dispozitivele de siguranță de pe produs

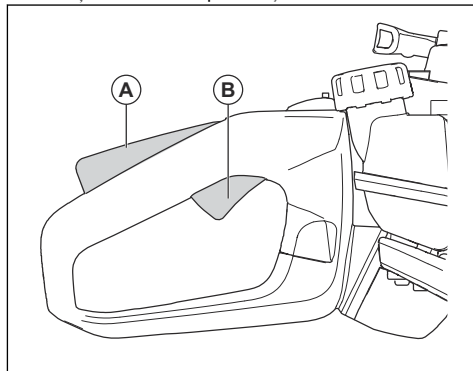


**AVERTISMENT:** Înainte de a utiliza produsul, citiți instrucțiunile de avertizare de mai jos.

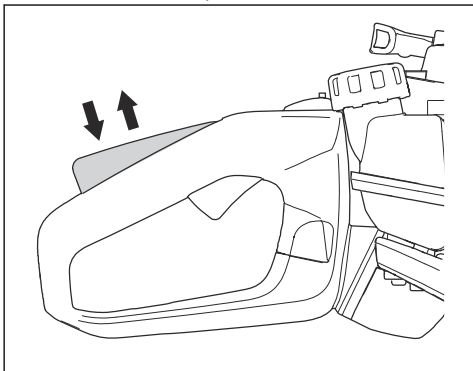
- Nu utilizați un produs cu dispozitive de siguranță deteriorate.
- Verificați regulat dispozitivele de siguranță. Dacă dispozitivele de siguranță sunt defecte, contactați agentul de service Husqvarna.

## Pentru a verifica opritorul pârgșii de accelerație

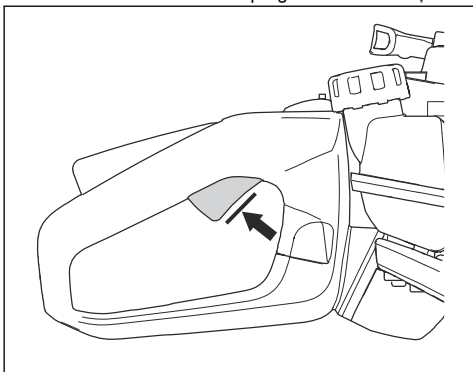
1. Asigurați-vă că elementul de blocare al pârgșii de accelerație (A) și pârgșia de accelerație (B) se mișcă liber și că arcul de rapel funcționează corect.



2. Apăsăți mecanismul de blocare al pârghiei de accelerație și asigurați-vă că revine la poziția inițială atunci când îl eliberați.



3. Asigurați-vă că pârghia de accelerație este blocată la poziția de mers în gol atunci când este eliberat mecanismul de blocare al pârghiei de accelerație.



4. Porniți produsul și aplicați accelerația maximă.
5. Eliberați pârghia de accelerație și asigurați-vă că discurile se opresc și rămân staționare.



**AVERTISMENT:** Dacă discurile se mișcă atunci când pârghia de accelerație este în poziția de ralanti, atunci turația de mers în gol a carburatorului trebuie să fie reglată. Consultați *Pentru a regla turația de mers în gol la pagina 293.*

#### Pentru a verifica comutatorul de oprire

1. Porniți motorul.
2. Deplasați comutatorul de oprire în poziția de oprire și asigurați-vă că motorul se oprește.



**AVERTISMENT:** Comutatorul de oprire revine automat la poziția de pornire. Pentru a preveni pornirea accidentală,

demontați pipa bujiei de pe bujie când asamblați sau realizați întreținerea produsului.

#### Verificarea apărătoarei de mână

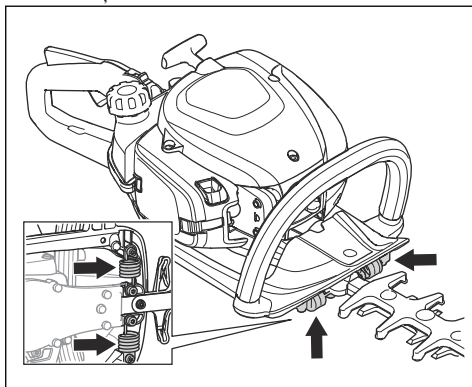
Apărătoarea de mână previne vătămările corporale cauzate de discuri.

1. Opriți motorul.
2. Asigurați-vă că apărătoarea de mână este orientată corect.
3. Verificați dacă apărătoarea de mână este deteriorată.

#### Pentru a verifica sistemul de amortizare a vibrațiilor

Sistemul de amortizare a vibrațiilor reduce vibrațiile din mână. Unitățile de amortizare a vibrațiilor funcționează ca separare dintre corpul produsului și mână.

1. Verificați vizual dacă există deformare și deteriorare.
2. Asigurați-vă că unitățile de amortizare a vibrațiilor sunt atașate corect.



#### Pentru a verifica amortizorul de zgomot



**AVERTISMENT:** Nu acționați niciodată produsul fără amortizor de zgomot sau cu un amortizor de zgomot defect. Un amortizor de zgomot defect poate crește nivelul de zgomot și pericolul de incendiu. Nu utilizați produsul fără o sită parascânteii sau cu o sită parascânteii stricată. Sita parascânteii trebuie înlocuită dacă este deteriorată.



**AVERTISMENT:** Amortizoarele de zgomot devin foarte fierbinți în timpul utilizării și după utilizare, de asemenea, la turația de mers în gol.





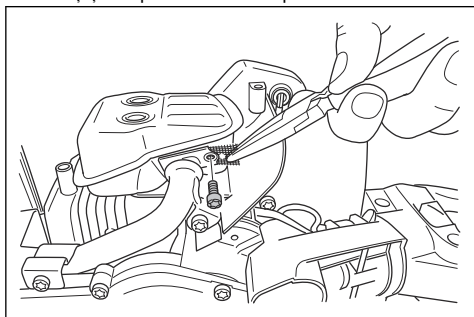
**ATENȚIE:** Dacă sita parascânteii se înfundă frecvent, acesta poate fi un semn că performanța convertorului catalitic este afectată. Contactați atelierul de service pentru a examina amortizorul de zgomot. O sită parascânteii înfundată va duce la supraîncălzire și la deteriorarea cilindrului și a pistonului.



**AVERTISMENT:** Suprafețele interioare ale amortizorului de zgomot conțin substanțe chimice cancerigene. Aveți grijă să nu atingeți aceste elemente dacă amortizorul de zgomot este deteriorat.

Amortizorul de zgomot este proiectat pentru a reduce la minimum nivelul de zgomot și pentru a dirija gazele de eșapament departe de utilizator. Un amortizor de zgomot cu un convertor catalitic reduce gazele de eșapament dăunătoare.

1. Opriți motorul.
2. Verificați vizual deteriorările și deformările.
3. Asigurați-vă că amortizorul de zgomot este corect atașat la produs.
4. Curățați sita parascânteii cu o perie din sârmă.



#### Pentru a verifica discurile frezei și apărătoarea discului

Partea exterioară a discurilor are funcția de apărătoare de disc. Apărătoarea discului previne rănilor provocate de tăiere.

1. Opriți motorul și asigurați-vă că discurile se opresc.
2. Scoateți pipa bujiei din bujie.
3. Purtați mănuși de protecție.
4. Asigurați-vă că discul și apărătoarea de disc nu sunt deteriorate sau îndoit. Înlocuiți întotdeauna un disc deteriorat sau îndoit sau o apărătoare deteriorată a discului.
5. Asigurați-vă că șuruburile discurilor și ale apărătoarei discului sunt strânse.

## Reguli de siguranță referitoare la carburant



**AVERTISMENT:** Înainte de a utiliza produsul, citiți instrucțiunile de avertizare de mai jos.

- Nu porniți produsul dacă pe acesta se află carburant sau ulei pentru motor. Îndepărtați carburantul/uleiul nedorit și lăsați produsul să se usuce.
- Dacă vărsați carburantul pe îmbrăcăminte, schimbați imediat hainele.
- Nu vărsați carburantul pe corp - poate provoca vătămări corporale. Dacă vărsați carburant pe corp, utilizați apă și săpun pentru a elimina carburantul.
- Nu porniți produsul dacă motorul prezintă scurgeri. Examinați cu regularitate motorul, pentru a identifica eventuale scurgeri.
- Manipulați cu atenție carburantul. Carburantul este inflamabil, vaporii sunt explozivi și pot cauza vătămări corporale sau deces.
- Nu respirați vaporii de carburant, se pot produce vătămări corporale. Asigurați-vă că fluxul de aer este suficient.
- Nu fumați în apropierea carburantului sau a motorului.
- Nu amplasați obiecte calde în apropierea carburantului sau a motorului.
- Nu adăugați carburant atunci când motorul este pornit.
- Asigurați-vă că motorul este rece înainte de a realimenta.
- Înainte de a realimenta, deschideți lent capacul rezervorului de carburant și eliberați cu atenție presiunea.
- Nu adăugați carburant la motor într-o zonă interioară. Un flux de aer insuficient poate cauza vătămare corporală sau deces din cauza asfrierii sau a monoxidului de carbon.
- Strângeți până la capăt capacul rezervorului de carburant. Dacă acesta nu este strâns, există pericol de incendiu.
- Înainte de pornire, mutați produsul la o distanță de minimum 3 m/10 ft față de poziția unde ați umplut rezervorul.
- Nu umpleți complet rezervorul de carburant. Căldura provoacă dilatarea carburantului. Păstrați un gol în partea de sus a rezervorului de carburant.

## Instrucțiuni de siguranță pentru întreținere



**AVERTISMENT:** Înainte de a utiliza produsul, citiți instrucțiunile de avertizare de mai jos.

- Opriți motorul și asigurați-vă că dispozitivul de tăiere se oprește. Lăsați produsul să se răcească înainte de a efectua operațiile de întreținere.

- Deconectați pipa bujei înainte de a efectua operații de întreținere.
- Gazele de eșapament ale motorului conțin monoxid de carbon, un gaz inodor, toxic și deosebit de periculos, care poate cauza decesul. Nu porniți produsul în interior sau în spații închise.
- Gazele de eșapament de la motor sunt fierbinți și pot conține scântei. Nu utilizați produsul în interior sau în apropierea unor materiale inflamabile.
- Accesoriile și modificările aduse produsului care nu sunt autorizate de către producător pot provoca vătămări corporale grave sau fatale. Nu modificați produsul. Utilizați întotdeauna accesoriile originale.
- Dacă întreținerea nu se efectuează corect și periodic, există un pericol sporit de vătămări corporale și de deteriorare a produsului.
- Efectuați întreținerea numai conform recomandărilor din prezentul manual al operatorului. Permiteți unui agent de service Husqvarna autorizat să efectueze toate celelalte operații de service.
- Solicitați unui agent de service autorizat Husqvarna să efectueze în mod regulat operații de service la produs.
- Înlocuiți piesele deteriorate, uzate sau defecte.

## Funcționarea

### Introducere



**AVERTISMENT:** Citiți și înțelegeți capitolul referitor la siguranță înainte de utilizarea produsului.

### Carburant

Acest produs dispune de motor în doi timpi.



**ATENȚIE:** Tipul incorect de carburant poate deteriora motorul. Utilizați un amestec de benzină și de ulei pentru motoare în doi timpi.

### Carburant preamestecat

- Utilizați carburantul alchilat preamestecat Husqvarna pentru cele mai bune performanțe și prelungirea duratei de viață a motorului. Acest carburant conține substanțe chimice mai puțin nocive în comparație cu carburantul obișnuit, ceea ce reduce nivelul gazelor de eșapament nocive. Cantitatea de resturi după ardere este mai mică în cazul acestui carburant, care păstrează componentele motorului mai curate.

### Pentru amestecarea carburantului

#### Benzină

- Utilizați benzină fără plumb de calitate cu un conținut maxim de 10% etanol.



**ATENȚIE:** Nu utilizați benzină cu o cifră octanică mai mică de 90 RON/87 AKI. Utilizarea unui carburant cu o cifră octanică inferioară poate provoca bătăi la motor, ceea ce duce la defectarea motorului.

#### Ulei pentru motoare în doi timpi

- Pentru cele mai bune rezultate și performanțe, utilizați uleiul pentru motoare în doi timpi Husqvarna.

- Dacă uleiul Husqvarna pentru motoare în doi timpi nu este disponibil, utilizați un ulei pentru motoare în doi timpi de bună calitate pentru motoare răcite cu aer. Adresați-vă reprezentantului dvs. de service pentru a alege uleiul corect.



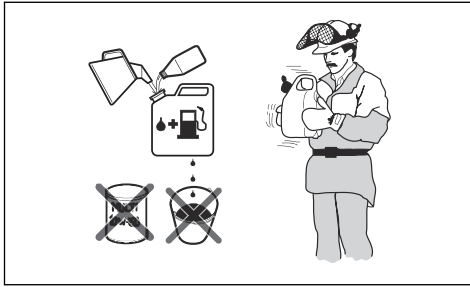
**ATENȚIE:** Nu utilizați ulei pentru motoare în doi timpi răcit pentru motoarele externe răcite cu apă, numit și ulei pentru motoare externe. Nu folosiți ulei pentru motoare în patru timpi.

#### Amestecarea benzinei cu ulei pentru motoare în doi timpi

Benzină, litru	Ulei pentru motoare în doi timpi, litru
	<b>2% (50:1)</b>
5	0,10
10	0,20
15	0,30
20	0,40



**ATENȚIE:** Micile erori pot să influențeze drastic raportul amestecului atunci când amestecați cantități mici de carburant. Măsurați cu grijă cantitatea de ulei și asigurați-vă că obțineți amestecul corect.



1. Umpleți jumătate din cantitatea de benzină într-un recipient curat pentru combustibil.
2. Adăugați cantitatea completă de ulei.
3. Agitați amestecul.
4. Adăugați în recipient cantitatea de benzină rămasă.
5. Agitați cu grijă amestecul.



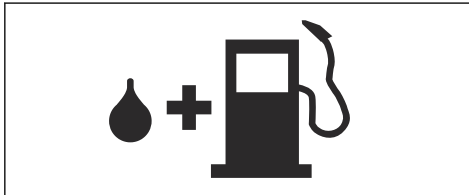
**ATENȚIE:** Nu amestecați carburantul pentru mai mult de 1 lună la un moment dat.

## Umplerea rezervorului de carburant



**AVERTISMENT:** Respectați procedura următoare pentru propria siguranță.

1. Oprii motorul și lăsați motorul să se răcească.
2. Curățați suprafața din jurul capacului rezervorului de carburant.



3. Agitați recipientul și asigurați-vă că amestecarea carburantului s-a efectuat corespunzător.
4. Scoateți încet capacul rezervorului de carburant, pentru a elibera presiunea.
5. Umpleți rezervorul de carburant.



**ATENȚIE:** Verificați să nu existe prea mult carburant în rezervorul de carburant. Carburantul se dilată atunci când se încălzește.

6. Strângeți cu atenție capacul rezervorului de carburant.
7. Curățați excesul de carburant de pe produs și din jurul acestuia.

8. Îndepărtați produsul la cel puțin 3 m/10 ft de zona de realimentare și de sursa de carburant înainte de a porni motorul.

**Nota:** Pentru a vedea unde se află rezervorul de carburant pe produsul dvs., consultați *Prezentarea generală a produsului la pagina 284.*

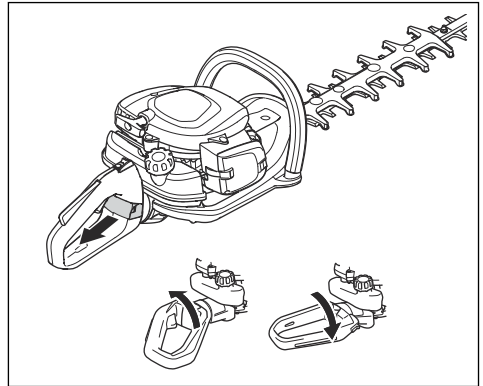
## Pentru a instala protecția vârfului discului

1. Îndepărtați piulița și bolțul de pe vârful discului.
2. Montați protecția vârfului discului pe vârful discului.
3. Montați bolțul și strângeți-l la 7 Nm.
4. Montați piulița și strângeți-o la 5 Nm.

## Pentru a regla mânerul

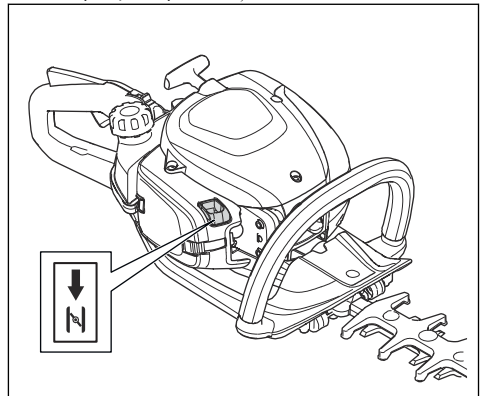
Mânerul spate poate fi reglat în 3 poziții.

- Eliberați blocarea mânerului și roții mânerul.



## Pentru a porni produsul cu motorul rece

1. Trageți maneta de acționare a șocului astfel încât să fie în poziția clapetei de șoc.



2. Apăsăți butonul purjorului de aproximativ 6 ori până când butonul începe să se umple cu carburant. Nu este necesar să umpleți complet butonul purjorului.
3. Țineți corpul produsului pe sol, cu mâna stângă. Nu călcați pe produs.
4. Trageți lent mânerul firului demarorului cu mâna dreaptă până când simțiți o oarecare rezistență, apoi trageți-l repede cu forță.



**AVERTISMENT:** Nu răsuciți cablul demarorului în jurul mâinii.



**ATENȚIE:** Nu trageți șnurul de pornire până când se întinde complet și nu dați drumul mânerului pentru șnurul de pornire.

5. Continuați să trageți de mânerul firului demarorului până când motorul pornește, apoi împingeți maneta de acționare a șocului în poziția sa inițială.



**AVERTISMENT:** Discurile se mișcă atunci când motorul pornește.

6. Continuați să trageți de mânerul firului demarorului până la pornirea motorului.
7. Apăsăți și eliberați pârghia de accelerație pentru a seta motorul la turația de mers în gol.
8. Împingeți pârghia de accelerație treptat pentru a mări turația motorului.
9. Asigurați-vă că motorul funcționează uniform.

## Pentru a porni produsul cu motorul cald

1. Țineți corpul produsului pe sol, cu mâna stângă. Nu călcați pe produs.
2. Trageți lent mânerul firului demarorului cu mâna dreaptă până când simțiți o oarecare rezistență, apoi trageți-l repede cu forță. Continuați procedeul până la pornirea motorului.

**Nota:** Pentru mai multe informații despre modul de pornire a produsului, consultați *Pentru a porni produsul cu motorul rece la pagina 291.*

## Oprirea produsului

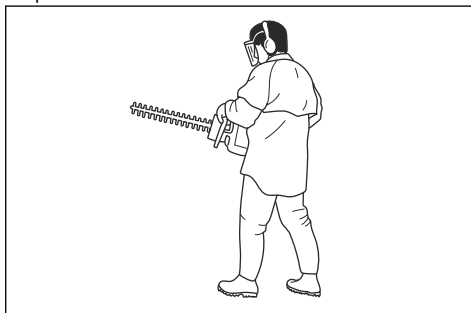
- Deplasați comutatorul de oprire în poziția de oprire pentru a opri motorul.



**ATENȚIE:** Comutatorul de oprire revine automat la poziția de funcționare.

## Utilizarea produsului

1. Începeți aproape de sol și deplasați produsul în sus de-a lungul gardului viu atunci când tăiați marginile. Asigurați-vă că nu atingeți gardul viu cu corpul produsului.



**AVERTISMENT:** Asigurați-vă că partea frontală a echipamentului de tăiere nu atinge solul.

2. Regla viteza pentru a se alinia cu sarcina de lucru.
3. Țineți produsul aproape de corp pentru o poziție de lucru stabilă.
4. Acționați cu grijă și utilizați produsul corect.

## Întreținerea

### Introducere



**AVERTISMENT:** Citiți și înțelegeți capitoul privind siguranța înainte de a

efectua operații de întreținere asupra produsului.

### Program de întreținere

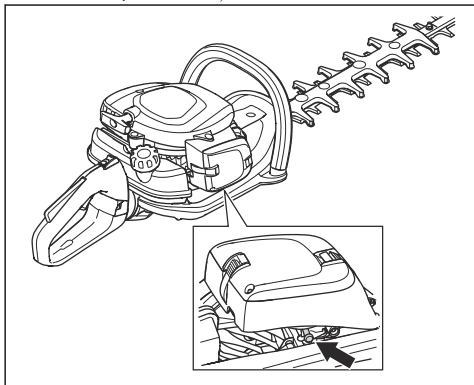
Întreținerea	Înainte de opera-re	După 40 h	După 100 h
Curățați suprafața exterioră.	După fiecare utilizare.		

Întreținerea	Înainte de operare	După 40 h	După 100 h
Curățați amortizorul de zgomot, țeava de eșapament și motorul de frunze, murdărie și lubrifianț nedorit.	După fiecare utilizare.		
Asigurați-vă că accesoriul de tăiere nu se mișcă la turația de mers în gol.	X		
Verificați comutatorul de oprire.	X		
Examinați accesoriul de tăiere și apărătoarea accesoriului de tăiere pentru a vedea dacă nu prezintă deteriorări și fisuri. Înlocuiți dacă este deteriorat.	X		
Examinați apărătoarea de mână pentru a identifica eventuale deteriorări și fisuri. Înlocuiți dacă este deteriorat.	X		
Verificați opritorul pârghiei de accelerație și pârghia de accelerație.	X		
Verificați etanșeitatea motorului, a rezervorului de carburant și a conductelor de carburant.	X		
Strângeți șuruburile și piulițele.	X		
Verificați filtrul de carburant din punctul de vedere al contaminării și furtunul de carburant pentru a vedea dacă prezintă crăpături și alte defecte. Înlocuiți, dacă este necesar.	X		
Verificați demarorul și firul acestuia, pentru a vedea dacă nu prezintă deteriorări.		X	
Curățați filtrul de aer. Înlocuiți dacă este necesar.		X	
Examinați unitățile de amortizare a vibrațiilor, pentru a identifica eventuale deteriorări și fisuri.		X	
Verificați bujia, consultați <i>Pentru a verifica bujia la pagina 294.</i>		X	
Curățați sistemul de răcire.		X	
Curățați suprafața exterioară a carburatorului și zona din jurul acesteia.		X	
Curățați sau înlocuiți sita parascânteii.			X
Curățați suprafața interioară a rezervorului de carburant.			X
Verificați bujia.			X
Asigurați-vă că carcasa angrenajului este umplută cu unsoare.			X

## Pentru a regla turația de mers în gol

1. Curățați filtrul de aer și atașați capacul filtrului de aer.
2. Porniți produsul, consultați *Pentru a porni produsul cu motorul rece la pagina 291.*

3. Rotiți șurubul T de reglare a turației de mers în gol în sensul acelor de ceasornic, până când accesoriul de tăiere începe să se miște.



4. Rotiți șurubul de reglare a turației de mers în gol în sens contrar acelor de ceasornic până când accesoriul de tăiere se oprește.



**AVERTISMENT:** Dacă accesoriul de tăiere nu se oprește când reglați turația de mers în gol, contactați reprezentantul de service cel mai apropiat. Nu utilizați produsul până când acesta nu a fost reglat sau reparat corect.

**Nota:** Turația de mers în gol este corectă când motorul funcționează uniform în toate pozițiile. Consultați *Date tehnice la pagina 296* pentru turația de mers în gol recomandată.

## Pentru a curăța sistemul de răcire

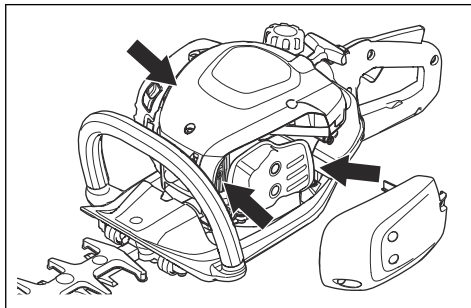
Sistemul de răcire menține temperatura motorului la un nivel scăzut. Sistemul de răcire include lamelele de răcire de pe cilindru și de pe carcasa demarorului.



**ATENȚIE:** Priza de aer dintre rezervorul de carburant și carter este ușor blocate de frunze. Curățați complet priza de aer.

1. Curățați sistemul de răcire cu o perie o dată pe săptămână sau mai des, dacă este necesar.

2. Asigurați-vă că sistemul de răcire nu este murdar sau blocate.

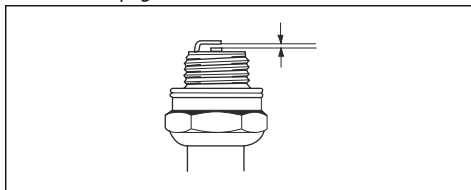


## Pentru a verifica bujia



**ATENȚIE:** Folosiți întotdeauna tipul recomandat de bujie. Tipul incorect de bujie poate defecta produsul.

- Verificați bujia dacă motorul nu are putere, nu pornește ușor sau nu funcționează corect la turația de mers în gol.
- Pentru a reduce riscul prezenței materialelor nedorite la electrozii bujiei, respectați aceste instrucțiuni:
  - a) Asigurați-vă că turația de mers în gol este corect reglată.
  - b) Asigurați-vă că amestecul este corect.
  - c) Asigurați-vă că filtrul de aer este curat.
- Dacă bujia este murdară, curățați-o și asigurați-vă că distanța dintre electrozi este corectă, consultați *Date tehnice la pagina 296*.



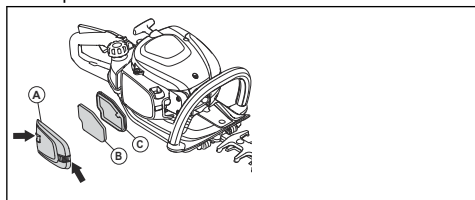
- Înlocuiți bujia atunci când este necesar.

## Curățarea filtrului de aer

Curățați periodic filtrul de aer de murdărie și praf. Acest lucru previne funcționarea defectuoasă a carburatorului, problemele la pornire, pierderea puterii motorului, uzura componentelor motorului și un consum de carburant mai mare decât în mod normal.

1. Îndepărtați capacul filtrului de aer (A).

- Demontați filtrul de spumă (B) și filtrul din păslă (C) de pe cadrul filtrului.



- Înlocuiți filtrul din păslă (C).
- Curățați filtrul de spumă (B), folosind apă caldă cu săpun.

**Nota:** Un filtru de aer aflat în uz timp îndelungat nu poate fi curățat complet. Schimbați periodic filtrul de aer și înlocuiți întotdeauna un filtru de aer defect.

- Asigurați-vă că filtrul de spumă (B) este uscat.
- Aplicați ulei pentru filtre de aer la filtrul de spumă (B). Consultați *Pentru a aplica ulei la filtrul de aer la pagina 295*
- Curățați suprafața interioară a capacului filtrului de aer (A). Utilizați aer comprimat sau o perie.

### Pentru a aplica ulei la filtrul de aer

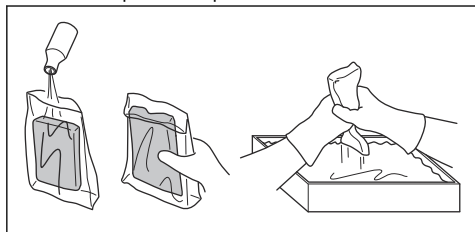


**ATENȚIE:** Folosiți întotdeauna ulei special pentru filtrul de aer Husqvarna. Nu utilizați alte tipuri de ulei.



**AVERTISMENT:** Purtați mănuși de protecție. Uleiul filtrului de aer poate provoca iritații ale pielii.

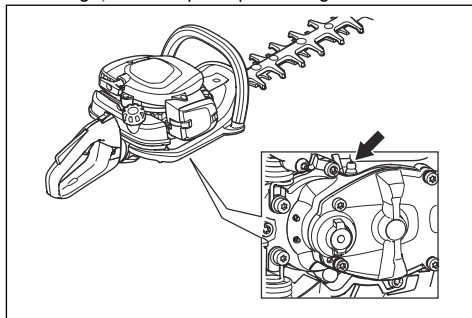
- Introduceți filtrul de aer într-un recipient din plastic.
- Introduceți uleiul în recipientul din plastic.
- Frecați recipientul din plastic pentru a distribui egal ulei pe filtrul de aer.
- Împingeți uleiul nedorit din filtrul de aer în timp ce se află în recipientul din plastic.



### Pentru a unge carcasa angrenajului

- Folosiți unsoare specială Husqvarna. Adresați-vă reprezentantului de service pentru informații suplimentare privind unsoarea recomandată.

- Adăugați unsoare prin niplul de ungere.



**ATENȚIE:** Nu umpleți complet carcasa angrenajului.

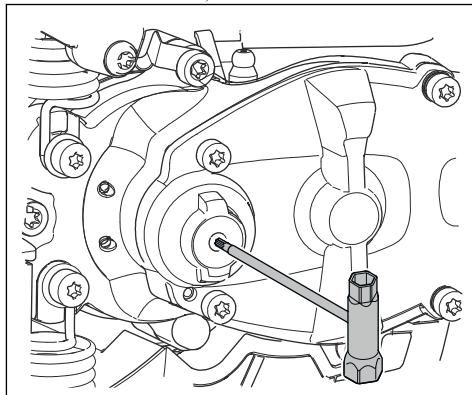
### Pentru a curăța și unge discurile

- Curățați discurile de materiale nedorite înainte și după ce utilizați produsul.
- Lubrifiați discurile înainte de a le depozita pentru perioade lungi.

**Nota:** Adresați-vă reprezentantului de service pentru informații suplimentare privind agenții de curățare și lubrifiții recomandate.

### Pentru a examina discurile

- Scoateți capacul de pe carcasa de angrenaj.
- Asigurați-vă că discurile se mișcă liber. Puneți cheia combinată în carcasa angrenajului și rotiți în sensul acelor de ceasornic și în sens invers.



- Examinați eventualele deteriorări și deformări de pe marginile discurilor.
- Folosiți o pilă pentru a îndepărta bavrurile de pe discuri.

# Transportul, depozitarea și eliminarea

## Transportul și depozitarea

- Lăsați întotdeauna produsul să se răcească înainte de a-l depozita.
- Pentru depozitarea și transportul produsului și a carburantului, asigurați-vă că nu există scurgeri și gaze. Scânteile sau flăcările deschise, de exemplu cele provenite de la dispozitive sau boilere electrice, pot cauza un incendiu.
- Utilizați întotdeauna recipiente omologate pentru depozitarea și transportarea combustibilului.
- Goliți combustibilul înainte de transportare și înainte de a-l depozita pe termen lung. Eliminați combustibilul într-o locație de eliminare autorizată.
- Montați apărătoarea pentru transport pe durata transportului și a depozitării.
- Scoateți pipa bujiei din bujie.
- Fixați produsul în timpul transportului. Asigurați-vă că acesta nu se poate mișca.
- Curățați produsul și efectuați operațiile de service la acesta înainte de depozitarea pe termen lung.

## Date tehnice

### Date tehnice

	522HD60X	522HDR60X	522HDR75X
<b>Motor</b>			
Cilindree, cm <sup>3</sup>	21,7	21,7	21,7
Turație de mers în gol, rot/min	3000	3000	3000
Turația max. recomandată, rot/min	9200	9200	9200
Puterea maximă a motorului, conform ISO 8893, kW/CP la rot/min	0,6/0,8 la 7800	0,6/0,8 la 7800	0,6/0,8 la 7800
Amortizor de zgomot al convertorului catalitic	Da	Da	Da
<b>Sistem de aprindere</b>			
Bujia	NGK CMR6A	NGK CMR6A	NGK CMR6A
Distanță între electrozi, mm	0,5	0,5	0,5
<b>Carburant</b>			
Capacitatea rezervorului de carburant, l/cm <sup>3</sup>	0,45/450	0,45/450	0,45/450
<b>Greutate</b>			
Fără carburant, kg	4,9	5,0	5,2
<b>Emisii de zgomot<sup>58</sup></b>			
Nivel de putere acustică măsurat dB(A)	101	101	101
Nivel de putere acustică garantat L <sub>WA</sub> dB(A)	102	102	102

<sup>58</sup> Emisiile de zgomot în mediu măsurate ca putere acustică (L<sub>WA</sub>) în conformitate cu directiva CE 2000/14/CE. Nivelul de putere a zgomotului raportat pentru produs a fost măsurat cu accesoriul original de tăiere care emite cel mai ridicat nivel. Diferența dintre puterea garantată a zgomotului și cea măsurată este aceeași ca puterea garantată a zgomotului include, de asemenea, dispersia în rezultatul de măsurare și variațiile dintre diferitele produse ale aceluiași model conform Directivei 2000/14/CE.



	522HD60X	522HDR60X	522HDR75X
<b>Niveluri de zgomot</b> <sup>59</sup>			
Nivel de presiune a zgomotului echivalent pentru urechile operatorului măsurat conform EN ISO 10517, dB(A)	93	93	93
<b>Niveluri de vibrații</b> <sup>60</sup>			
Nivelele echivalente de vibrații ( $a_{hv,eq}$ ) la mână, măsurate în conformitate cu EN ISO 10517, m/s <sup>2</sup> :			
Față/spate, mm/s <sup>2</sup>	2,7/1,2	2,8/1,3	2,1/2,2
<b>Lame</b>			
Tip	Cu două fețe	Cu două fețe	Cu două fețe
Lungime de tăiere, mm	600	600	750
Turație de tăiere, cursă/min	4400	3200	3200

<sup>59</sup> Datele raportate pentru presiunea nivelului de zgomot prezintă o distribuție statistică tipică (abatere standard) de 1 dB(A).

<sup>60</sup> Datele raportate pentru nivelul de vibrații prezintă o dispersie statistică tipică (abatere standard) de 1 m/s<sup>2</sup>.

# Declarație de conformitate

## Declarație de conformitate UE

Noi, **Husqvarna AB**, SE-561 82 Husqvarna, Suedia, tel.: +46-36-146500, declarăm pe propria răspundere, că produsul:

<b>Descriere</b>	Trimmer de gard viu
<b>Marcă</b>	Husqvarna
<b>Tip/Model</b>	522HD60X, 522HDR60X, 522HDR75X
<b>Identificare</b>	Numere de serie începând cu 2022 și ulterior

respectă în totalitate următoarele directive și reglementări UE:

<b>Reglementare</b>	<b>Descriere</b>
2006/42/CE	„privind utilajele”
2014/30/UE	„aferentă compatibilității electromagnetice”
2000/14/CE	„privind emisiile de zgomot în mediul înconjurător”
2011/65/UE	„privind restricțiile de utilizare a anumitor substanțe periculoase în echipamentele electrice și electronice”

și că au fost aplicate următoarele standarde și/sau specificații tehnice: EN ISO 12100:2021, CISPR 12: 2009, EN ISO 10517:2009/A1:2013, EN IEC 63000:2018.

RISE SMP Svensk Maskinprovning AB, a efectuat examinarea voluntară de tip în numele Husqvarna AB. Număr certificat: SEC/18/2518.

RISE SMP Svensk Maskinprovning AB, a verificat conformitatea cu Directiva Consiliului din 8 mai 2000 „referitoare la emisiile de zgomot în mediu” 2000/14/CE. Numere certificat: 01/094/026-522HD60X, 01/094/027-522HDR60X, 522HDR75X.

Pentru informații privind emisiile de zgomot, consultați *Date tehnice la pagina 296*.

Husqvarna, 2022-05-09

Stefan Holmberg, Director de cercetare și dezvoltare, Departamentul de gestionare a tehnologiei, Husqvarna AB

Responsabil pentru documentația tehnică

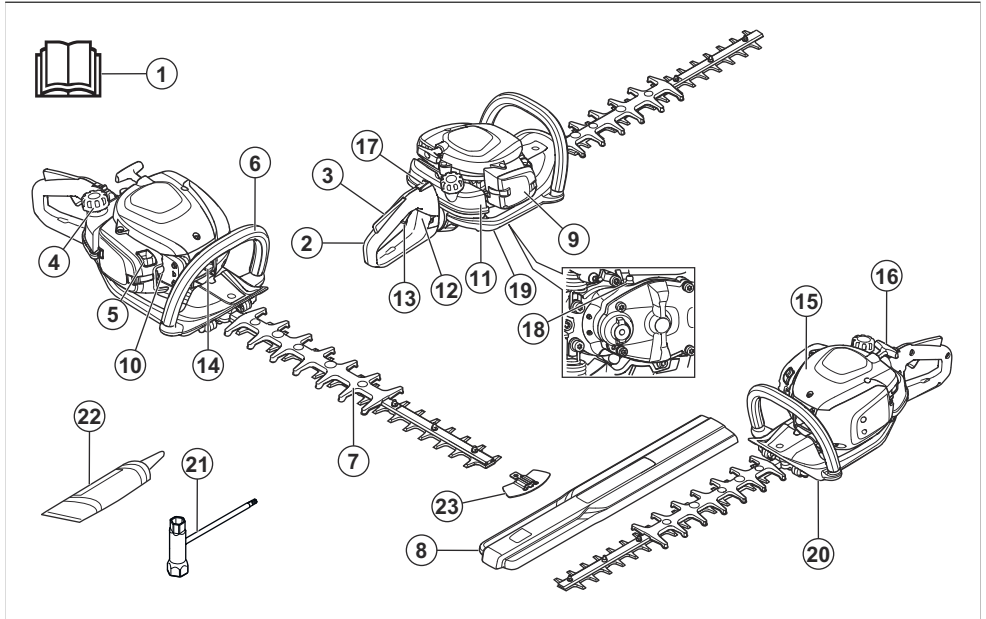


# Содержание

Введение.....	299	Транспортировка, хранение и утилизация.....	312
Безопасность.....	300	Технические данные.....	312
Эксплуатация.....	306	Декларация о соответствии.....	314
Техническое обслуживание.....	308		

# Введение

## Обзор изделия



1. Руководство по эксплуатации
2. Задняя рукоятка
3. Стопор дроссельного регулятора
4. Крышка топливного бака
5. Заслонка
6. Передняя рукоятка
7. Нож и кожух ножа
8. Транспортировочный щиток
9. Крышка воздушного фильтра
10. Груша нагнетателя
11. Топливный бак
12. Блокировка рукоятки
13. Дроссельный регулятор
14. Колпачок и свеча зажигания
15. Крышка цилиндра
16. Ручка шнура стартера
17. Выключатель
18. Смазочный nipple
19. Картер редуктора
20. Щиток для рук
21. Комбинированный ключ
22. Смазочная трубка
23. Защита наконечника ножа

## Описание изделия

Изделие представляет собой триммер для живой изгороди с двигателем внутреннего сгорания.

## Назначение

Изделие предназначено для обрезки веток разных диаметров. Запрещается использовать изделие для других видов работ.

## Символы на изделии



Остановка.



Соблюдайте осторожность и правила эксплуатации изделия. Изделие может стать причиной тяжелой травмы или смерти оператора и окружающих.



Перед началом работы внимательно прочитайте руководство по эксплуатации и убедитесь, что понимаете приведенные в нем инструкции.



Используйте одобренные средства защиты глаз и органов слуха.



Используйте одобренные защитные перчатки.



Надевайте защитные ботинки с нескользкой подошвой.

T

Винт регулировки холостого хода.

H

Игольчатый клапан высоких оборотов.

L

Игольчатый клапан низких оборотов.



Эмиссия шума в окружающую среду согласно Директиве Европейского союза 2000/14/ЕС и законодательству Нового Южного Уэльса "Регламент 2017 года по защите окружающей среды (контроль уровня шума)". Данные об эмиссии шума приведены на паспортной табличке изделия и в разделе "Технические данные".



Изделие соответствует действующим директивам ЕС.



Данное изделие соответствует действующим директивам Великобритании.

ууууwwxxxx

На паспортной табличке указан серийный номер. **уууу** означает год производства, **ww** — производственную неделю.

**Примечание:** Другие символы/наклейки на изделии относятся к специальным требованиям сертификации на определенных рынках.

## Соответствие уровня токсичных выбросов стандарту Euro V



**ПРЕДУПРЕЖДЕНИЕ:** В случае вмешательства в работу двигателя данное изделие перестанет соответствовать нормативам ЕС.

## Безопасность

### Инструкции по технике безопасности

Предупреждения, предостережения и примечания используются для выделения особо важных пунктов руководства.



#### **ПРЕДУПРЕЖДЕНИЕ:**

Используется, когда несоблюдение инструкций руководства может привести к травмам или смерти оператора или находящихся рядом посторонних лиц.



**ВНИМАНИЕ:** Используется, когда несоблюдение инструкций руководства может привести к повреждению изделия, других материалов или прилегающей территории.

**Примечание:** Используется для предоставления дополнительных сведений о конкретной ситуации.

## Общие инструкции по технике безопасности



**ПРЕДУПРЕЖДЕНИЕ:** В обязательном порядке прочитайте следующие инструкции по технике безопасности, прежде чем приступать к эксплуатации изделия.

- Неправильное или небрежное использование изделия может превратить его в опасный инструмент, который может привести к серьезной и даже смертельной травме. Чрезвычайно важно, чтобы вы прочитали настоящее Руководство по эксплуатации и поняли его содержание.
- Во время работы данное изделие создает электромагнитное поле. В определенных обстоятельствах это поле может создавать помехи для пассивных и активных медицинских имплантатов. В целях снижения риска серьезной или смертельной травмы лицам с медицинскими имплантатами рекомендуется проконсультироваться с врачом и изготовителем имплантата, прежде чем приступать к эксплуатации данного изделия.
- Длительное воздействие вибрации может привести к нарушению кровообращения или расстройствам нервной системы у людей с нарушенным кровообращением. В случае появления тревожных симптомов обратитесь к врачу. Такими симптомами могут быть онемение, потеря чувствительности, "щелотка", "колотье", боль, потеря силы или слабость, изменение цвета и состояния кожи. Обычно подобные симптомы проявляются на пальцах, руках или запястьях. При низкой температуре риск увеличивается.
- В случае возникновения ситуации, в которой вы почувствуете неуверенность относительно дальнейшей работы с изделием, обратитесь за консультацией к специалисту. Свяжитесь со своим дилером или мастерской по обслуживанию. Не пытайтесь решить какую-либо задачу, если считаете, что она находится за пределами ваших возможностей.
- Помните: оператор несет ответственность за аварии или опасные ситуации, угрожающие другим людям или их имуществу.
- Запрещается допускать к пользованию инструмента посторонних лиц, не убедившись сначала в том, что они прочли и поняли содержание Руководства по эксплуатации.
- Никогда не позволяйте детям пользоваться инструмента или находиться рядом с ним. Изделие оснащено переключателем остановки с пружинным возвратом и может быть запущено с низкой скоростью и небольшим усилием на ручке стартера, и даже маленькие дети в определенных обстоятельствах могут создать усилие, необходимое для запуска изделия. Это

создает риск получения тяжелых травм. Поэтому всегда снимайте колпак свечи зажигания, если оставляете изделие без присмотра.

- Храните изделие в недоступном для детей месте.
- Работа с изделием лиц в состоянии усталости или алкогольного опьянения, а также лиц, принимающих лекарства, воздействующие на зрение, реакцию или координацию, не допускается.
- Запрещается пользоваться неисправным инструментом. Проводите регулярные осмотры, уход и обслуживание в соответствии с данным руководством. Некоторые операции по уходу и обслуживанию должны выполняться только квалифицированными специалистами. См. инструкции в разделе технического обслуживания.
- Запрещается пользоваться изделием, в конструкцию которого внесены какие-либо изменения.

## Инструкции по технике безопасности во время эксплуатации

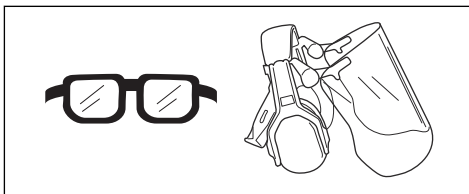


**ПРЕДУПРЕЖДЕНИЕ:** В обязательном порядке прочитайте следующие инструкции по технике безопасности, прежде чем приступать к эксплуатации изделия.

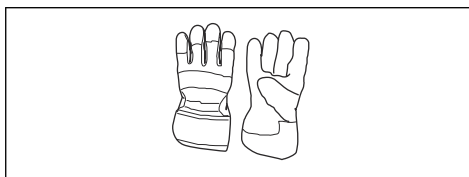
- Запрещается пользоваться изделием при неблагоприятных погодных условиях, таких как сильный холод, жара или влажность.
- Неисправные ножи могут повысить риск несчастных случаев.
- Следите, чтобы во время работы никто не находился от устройства на расстоянии меньше 15 м (50 футов).
- Осмотрите зону вокруг себя и убедитесь, что люди или животные не могут оказаться в зоне действия режущего оборудования.
- Осмотрите рабочую зону. Уберите любые предметы, которые могут быть отброшены в сторону при работе изделия.
- Вы всегда должны находиться в надежном и устойчивом рабочем положении.
- Ни в коем случае не оставляйте изделие с работающим электродвигателем без присмотра.
- Убедитесь, что ваши руки и ноги находятся на безопасном расстоянии от режущего блока, когда двигатель работает.
- При застревании чего-либо между лезвиями во время работы отключите двигатель и подождите, пока он полностью остановится, прежде чем приступать к очистке лезвий. Отсоедините провод высокого напряжения от свечи зажигания. См. раздел *Проверка ножей на стр. 311*.

- После остановки двигателя держите руки и ноги на безопасном расстоянии от режущего блока до тех пор, пока он полностью не остановится.
- Следите за ветками, которые могут быть отброшены в сторону при резании.
- При использовании защитных наушников обращайте внимание на предупреждающие сигналы или крики. Снимайте наушники сразу после остановки двигателя.
- Ни в коем случае не работайте, стоя на лестнице, стуле или любом другом незакрепленном предмете.
- Всегда держите изделие обеими руками. Всегда держите изделие перед собой.
- В случае столкновения изделия с посторонним предметом или возникновением вибрации незамедлительно остановите изделие. Отсоедините провод высокого напряжения от свечи зажигания. Убедитесь в отсутствии повреждений изделия. При наличии повреждений выполните необходимый ремонт.
- Во избежание риска поражения электрическим током убедитесь, что колпак свечи зажигания и провод зажигания не повреждены.
- Проверьте надежность затяжки всех гаек и винтов.
- Убедитесь, что картер редуктора смазывается надлежащим образом. См. раздел *Смазка коробки передач на стр. 311*.
- Во время работы изделия картер редуктора нагревается. Во избежание ожогов не касайтесь картера редуктора.
- Перед началом работы все щитки и крышки должны быть установлены на свои места.
- Транспортный щиток всегда должен закрывать режущий блок в то время, когда изделие не используется.

- Пользуйтесь проверенными средствами защиты глаз. При использовании защитной маски следует пользоваться также одобренными защитными очками. Под одобренными защитными очками подразумеваются очки, отвечающие требованиям стандарта ANSI Z87.1 для США или EN 166 для стран ЕС.



- При необходимости надевайте перчатки, например, при закреплении, проверке или очистке режущего оборудования.



- На время работы надевайте устойчивую, нескользящую обувь.



- Надевайте одежду из прочного материала. Всегда надевайте длинные прочные брюки и верхнюю одежду с длинными рукавами. Запрещается надевать свободную одежду, которая может зацепиться за ветви или кустарник. Не надевайте ювелирные украшения, шорты, сандалии и не ходите босиком. Зафиксируйте волосы выше уровня плеч.
- Средства оказания первой помощи всегда должны быть под рукой.



## Средства индивидуальной защиты



**ПРЕДУПРЕЖДЕНИЕ:** В обязательном порядке прочитайте следующие инструкции по технике безопасности, прежде чем приступить к эксплуатации изделия.

- Каждый раз при работе с изделием следует использовать одобренные средства индивидуальной защиты. Средства индивидуальной защиты не могут полностью исключить риск получения травмы, но при несчастном случае они снижают тяжесть травмы. За помощью по правильному выбору оборудования обращайтесь к дилеру.
- Следует пользоваться одобренными защитными наушниками с достаточным уровнем подавления шума. Продолжительное воздействие шума может повлечь неизлечимое ухудшение слуха.

## Защитные устройства на изделии

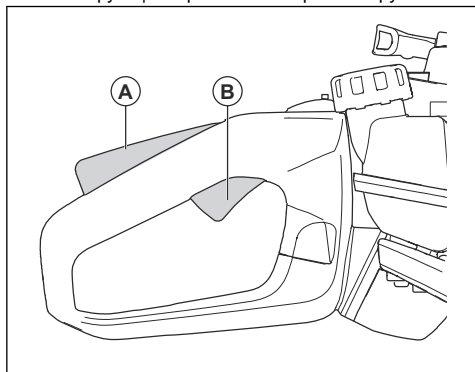


**ПРЕДУПРЕЖДЕНИЕ:** В обязательном порядке прочитайте следующие инструкции по технике безопасности, прежде чем приступить к эксплуатации изделия.

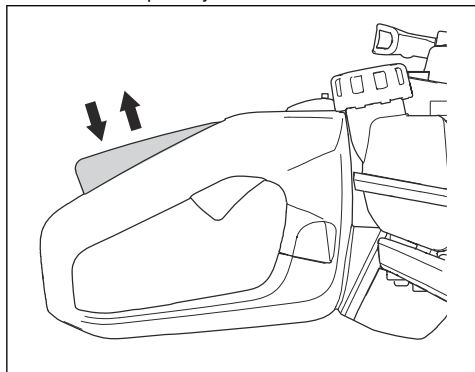
- Запрещается использовать изделие с неисправными защитными устройствами.
- Регулярно выполняйте проверку защитных устройств. Если защитные устройства неисправны, обратитесь в сервисный центр Husqvarna.

### Проверка стопора дроссельного регулятора

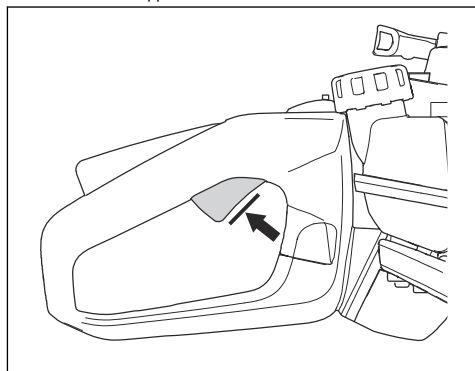
1. Проверьте плавность срабатывания дроссельного регулятора (B) и его стопора (A), а также функционирование возвратной пружины.



2. Нажмите на стопор дроссельного регулятора и убедитесь, что он возвращается в исходное положение при отпускании.



3. Убедитесь, что при отпускании стопора дроссельный регулятор блокируется в положении холостого хода.



4. Запустите изделие на полной мощности.
5. Отпустите дроссельный регулятор и убедитесь, что ножи останавливаются и остаются неподвижными.



**ПРЕДУПРЕЖДЕНИЕ:** Если ножи двигаются, когда дроссельный регулятор находится в положении холостого хода, необходимо отрегулировать холостой ход карбюратора. См. раздел *Регулировка оборотов холостого хода на стр. 309.*

### Проверка выключателя

1. Запустите двигатель.
2. Переведите выключатель в положение останова и убедитесь, что двигатель останавливается.



### ПРЕДУПРЕЖДЕНИЕ:

Выключатель автоматически возвращается в исходное положение. Во избежание случайного запуска снимите крышку с свечи зажигания перед сборкой или техническим обслуживанием изделия.

### Проверка щитка для рук

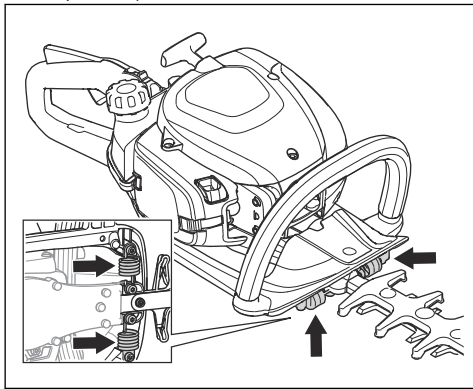
Щиток для рук предназначен для защиты рук от контакта с лезвиями.

1. Остановите двигатель.
2. Убедитесь, что щиток для рук установлен правильно.
3. Проверьте щиток для рук на наличие повреждений.

## Проверка системы гашения вибраций

Система гашения вибраций снижает уровень вибрации на рукоятках. Амортизаторы функционируют в качестве элемента, изолирующего рукоятки от корпуса изделия.

1. Осмотрите на наличие повреждений и деформации.
2. Проверьте правильность установки виброгасящих элементов.



## Проверка глушителя



### ПРЕДУПРЕЖДЕНИЕ:

Запрещается использовать изделие без глушителя или с неисправным глушителем. Повреждение глушителя может привести к увеличению уровня шума и риску возгорания. Запрещается использовать изделие без искрогасительной сетки или со сломанной сеткой. В случае повреждения искрогасительную сетку следует заменить.



### ПРЕДУПРЕЖДЕНИЕ:

Глушители сильно нагреваются в ходе работы и остаются нагретыми после окончания работы, а также во время работы двигателя на холостых оборотах.



### ВНИМАНИЕ:

Если искрогасительная сетка часто бывает засорена, это может быть признаком нарушения работы катализатора. Обратитесь к своему сервисному дилеру для проверки глушителя. При засорении искрогасительной сетки возможен перегрев двигателя, что приведет к повреждению цилиндра и поршня.

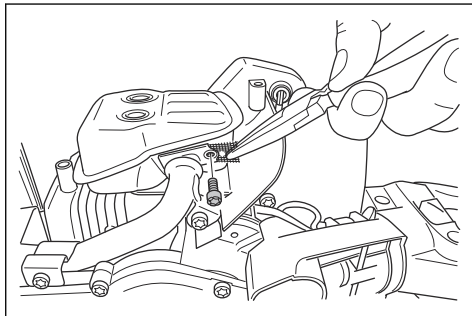


### ПРЕДУПРЕЖДЕНИЕ:

На внутренней поверхности глушителя скапливаются химикаты, которые могут вызывать раковые заболевания. В случае повреждения глушителя соблюдайте осторожность и не касайтесь этих элементов.

Глушитель предназначен для максимального снижения уровня шума и отвода выхлопных газов в сторону от оператора. Глушитель, оборудованный каталитическим конвертером, предназначен также для снижения содержания в выхлопах вредных веществ.

1. Остановите двигатель.
2. Осмотрите на наличие повреждений и деформаций.
3. Проверьте правильность крепления глушителя к корпусу изделия.
4. Очистите искрогасительную сетку проволочной щеткой.



## Проверка ножей и кожуха ножа

Внешняя часть ножей выполняет роль защитного кожуха. Кожух ножа предназначен для защиты от порезов.

1. Выключите двигатель и убедитесь, что ножи останавливаются.
2. Снимите колпак свечи зажигания со свечи зажигания.
3. Наденьте защитные перчатки.
4. Убедитесь, что нож и кожух ножа не повреждены и не погнуты. В обязательном порядке заменяйте поврежденный или погнутый нож, а также поврежденный кожух ножа.
5. Убедитесь, что винты ножей и кожуха ножа затянуты.



## Правила безопасного обращения с топливом



**ПРЕДУПРЕЖДЕНИЕ:** В обязательном порядке прочитайте следующие инструкции по технике безопасности, прежде чем приступать к эксплуатации изделия.

- Запрещается запускать изделие, если на него попало топливо или моторное масло. Удалите постороннее топливо/масло и дайте изделию высохнуть.
- Если топливо попало на одежду, немедленно смените ее.
- Не допускайте попадания топлива на тело, это может причинить вред здоровью. При попадании топлива на тело смойте его водой с мылом.
- Запрещается запускать изделие при наличии утечки из двигателя. Регулярно проверяйте двигатель на наличие утечек.
- Соблюдайте осторожность при обращении с топливом. Топливо является легковоспламеняющейся жидкостью со взрывоопасными парами и может привести к серьезным или смертельным травмам.
- Запрещается вдыхать пары топлива, т. к. это может причинить вред здоровью. Убедитесь в наличии достаточного потока воздуха.
- Запрещается курить вблизи топлива или двигателя.
- Запрещается ставить теплые предметы рядом с топливом или двигателем.
- Запрещается доливать топливо при работающем двигателе.
- Прежде чем заправить изделие, убедитесь, что двигатель полностью остыл.
- Перед заправкой топлива медленно откройте крышку топливного бака и осторожно сбросьте давление.
- Запрещается заливать топливо в двигатель в помещении. Недостаточная вентиляция может привести к травме или смерти в результате удушья или отравления угарным газом.
- Плотно затяните крышку топливного бака. Если крышка топливного бака не затянута, возникает риск пожара.
- Переместите изделие минимум на 3 м / 10 футов от места заправки топливом, прежде чем запустить его.
- Никогда не заправляйте топливный бак полностью. Тепло приводит к расширению

топлива. Оставьте место в верхней части топливного бака.

## Инструкции по технике безопасности во время технического обслуживания



**ПРЕДУПРЕЖДЕНИЕ:** В обязательном порядке прочитайте следующие инструкции по технике безопасности, прежде чем приступать к эксплуатации изделия.

- Выключите двигатель и убедитесь, что режущее оборудование останавливается. Дайте изделию остыть, прежде чем начинать техническое обслуживание.
- Перед проведением технического обслуживания отсоедините колпак свечи зажигания.
- Выхлопные газы из двигателя содержат окись углерода — не имеющий запаха, токсичный и чрезвычайно опасный газ, который может стать причиной смерти. Запрещается эксплуатировать изделие в помещении или в замкнутых пространствах.
- Выхлопные газы двигателя имеют высокую температуру и могут содержать искры. Запрещается использовать изделие в помещении или рядом с легковоспламеняющимися материалами.
- Использование принадлежностей или внесение изменений в конструкцию изделия, не одобренных производителем, может привести к серьезным или смертельным травмам. Запрещается вносить изменения в конструкцию изделия. Всегда пользуйтесь только оригинальными принадлежностями.
- При несоблюдении правил и сроков выполнения техобслуживания риск получения травмы или повреждения изделия возрастает.
- Выполняйте техобслуживание в строгом соответствии с инструкциями, приведенными в Руководстве по эксплуатации. Для проведения всех других работ по обслуживанию обращайтесь в сервисный центр Husqvarna.
- Регулярно обращайтесь в авторизованный сервисный центр Husqvarna для проведения техобслуживания изделия.
- Замените поврежденные, сломанные или изношенные детали.

# Эксплуатация

## Введение



**ПРЕДУПРЕЖДЕНИЕ:** Перед эксплуатацией изделия внимательно изучите раздел техники безопасности.

## Топливо

Данное изделие оборудовано двухтактным двигателем.



**ВНИМАНИЕ:** Заправка неподходящим типом топлива может привести к повреждению двигателя. Используйте смесь бензина и масла для двухтактных двигателей.

## Предварительно смешанное топливо

- Для обеспечения оптимальной производительности и продления срока службы двигателя используйте предварительно смешанное топливо-алкилат Husqvarna. Данный тип топлива содержит меньшее количество вредных веществ по сравнению с обычным топливом, что приводит к сокращению вредных выбросов. Такое топливо при сгорании образует меньшее количество остатков, благодаря чему компоненты двигателя остаются более чистыми.

## Смешивание топлива

### Бензин

- Используйте неэтилированный бензин надлежащего качества с максимальным содержанием этанола 10%.



**ВНИМАНИЕ:** Не используйте бензин с октановым числом меньше 90 RON/87 AKI. При более низком октановом числе двигатель может производить стук, что в свою очередь может привести к повреждению двигателя.

### Масло для двухтактных двигателей

- Для достижения оптимальных результатов и мощности пользуйтесь маслом Husqvarna для двухтактных двигателей.
- Если у вас нет масла Husqvarna для двухтактных двигателей, вы можете использовать высококачественное масло, предназначенное для двухтактных двигателей с воздушным охлаждением. Для выбора правильного масла обратитесь к своему дилеру по обслуживанию.



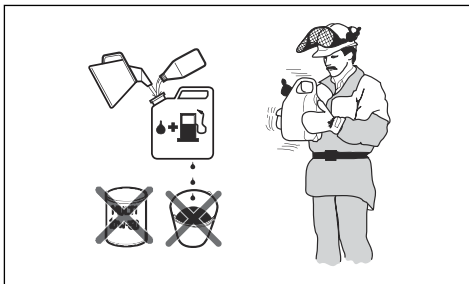
**ВНИМАНИЕ:** Запрещается использовать масло, предназначенное для двухтактных двигателей с внешним водяным охлаждением, т.н. "outboard oil". Использовать масло для четырехтактных двигателей запрещается.

## Смешивание бензина и масла для двухтактных двигателей

Бензин, л	Масло для двухтактных двигателей, л
	<b>2% (50:1)</b>
5	0,10
10	0,20
15	0,30
20	0,40



**ВНИМАНИЕ:** Небольшие неточности при смешивании небольшого количества топлива могут значительно повлиять на соотношение компонентов в смеси. Внимательно измеряйте количество масла, чтобы обеспечить правильное соотношение компонентов.



1. Добавьте половину количества бензина в чистую емкость для топлива.
2. Добавьте все количество масла.
3. Взболтайте топливную смесь.
4. Добавьте оставшуюся часть бензина в емкость.
5. Осторожно взболтайте топливную смесь.



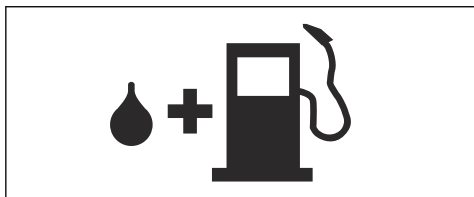
**ВНИМАНИЕ:** Срок хранения топливной смеси не должен превышать 1 месяца.

## Заправка топливного бака



**ПРЕДУПРЕЖДЕНИЕ:** Следуйте приведенным ниже инструкциям для вашей безопасности.

1. Остановите двигатель и дайте ему остыть.
2. Очистите поверхность вокруг крышки топливного бака.



3. Взболтайте емкость и убедитесь, что топливо полностью смешалось.
4. Медленно снимите крышку топливного бака, чтобы стравить давление.
5. Заполните топливный бак.



**ВНИМАНИЕ:** Убедитесь, что в топливном баке не слишком много топлива. При нагреве топливо расширяется.

6. Аккуратно затяните крышку топливного бака.
7. Уберите пролитое топливо с изделия и вокруг него.
8. Перед запуском двигателя относите изделие в сторону не менее чем на 3 м / 10 футов от источника топлива и места заправки топливом.

**Примечание:** Информацию по расположению топливного бака на изделии см. в разделе *Обзор изделия на стр. 299*.

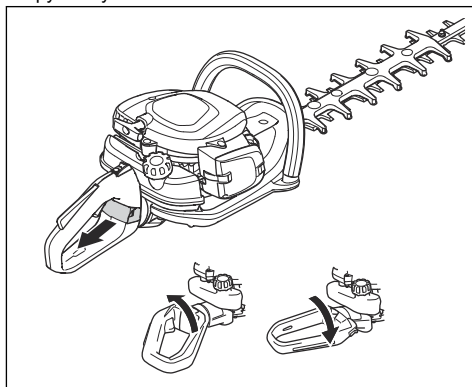
## Установка защиты наконечника ножа

1. Отверните гайку и болт на наконечнике ножа.
2. Установите защиту наконечника ножа на наконечник ножа.
3. Установите болт и затяните его моментом 7 Нм.
4. Установите гайку и затяните ее моментом 5 Нм.

## Регулировка рукоятки

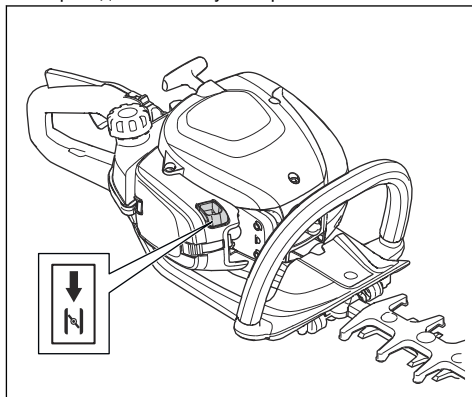
Существует 3 положения регулировки задней рукоятки.

- Снимите блокировку рукоятки и поверните рукоятку.



## Запуск изделия с холодным двигателем

1. Переведите заслонку в закрытое положение.



2. Нажмите на грушу нагнетателя примерно 6 раз или нажимайте на нее, пока в грушу не начнет поступать топливо. Полностью заполнять грушу топливом не требуется.
3. Прижмите корпус изделия к земле левой рукой. Не наступайте на изделие.
4. Правой рукой медленно вытягивайте ручку шнура стартера, пока не почувствуете некоторое сопротивление, затем быстро и с усилием потяните ручку шнура.



**ПРЕДУПРЕЖДЕНИЕ:** Не накручивайте шнур стартера вокруг руки.



**ВНИМАНИЕ:** Не вытягивайте шнур стартера полностью и не выпускайте ручку шнура стартера.

- Продолжайте тянуть ручку шнура стартера, пока двигатель не запустится, после чего переведите заслонку в исходное положение.



**ПРЕДУПРЕЖДЕНИЕ:** При запуске двигателя ножи приходят в движение.

- Продолжайте тянуть ручку шнура стартера до запуска двигателя.
- Нажмите и отпустите дроссельный регулятор, чтобы установить холостой ход двигателя.
- Постепенно нажимайте на дроссельный регулятор, чтобы увеличить частоту вращения двигателя.
- Убедитесь, что двигатель работает без рывков.

## Запуск изделия с прогретым двигателем

- Прижмите корпус изделия к земле левой рукой. Не наступайте на изделие.
- Правой рукой медленно вытягивайте ручку шнура стартера, пока не почувствуете некоторое сопротивление, затем быстро и с усилием потяните ручку шнура. Продолжайте выполнять это действие, пока двигатель не запустится.

**Примечание:** Дополнительные сведения о процедуре запуска двигателя см. в разделе *Запуск изделия с холодным двигателем на стр. 307.*

## Остановка изделия

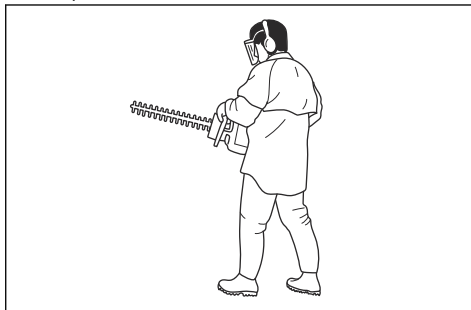
- Для остановки двигателя переведите выключатель в положение остановки.



**ВНИМАНИЕ:** Переключатель остановки автоматически возвращается в исходное положение.

## Эксплуатация изделия

- Включать изделие следует низко над землей, только после этого разрешается поднять его и приступить к обрезке живой изгороди. Следите за тем, чтобы корпус изделия не касался живой изгороди.



**ПРЕДУПРЕЖДЕНИЕ:**

Следите за тем, чтобы передняя часть режущего оборудования не касалась земли.

- Отрегулируйте скорость в соответствии с рабочей нагрузкой.
- Для большей устойчивости следует держать изделие на небольшом, но безопасном расстоянии от вашего тела.
- Соблюдайте осторожность и не торопитесь при эксплуатации изделия.

# Техническое обслуживание

## Введение

внимательно изучите раздел техники безопасности.



**ПРЕДУПРЕЖДЕНИЕ:** Перед техническим обслуживанием изделия

## График технического обслуживания

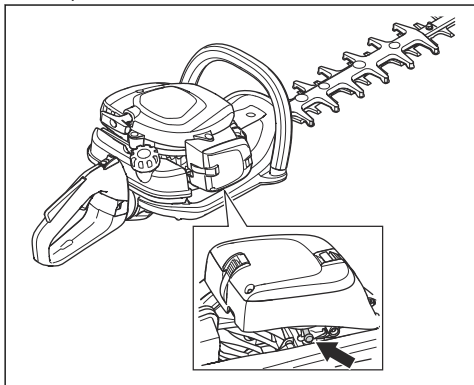
Техническое обслуживание	Перед эксплуатацией	После 40 ч	После 100 ч
Очистите наружные поверхности.	Каждый раз после эксплуатации.		

Техническое обслуживание	Перед эксплуатацией	После 40 ч	После 100 ч
Очистите глушитель, выхлопную трубу и двигатель от листьев, грязи и посторонних смазочных веществ.	Каждый раз после эксплуатации.		
Убедитесь в том, что режущее оборудование не движется, когда двигатель работает на холостых оборотах.	X		
Проверьте выключатель.	X		
Осмотрите режущее оборудование и его щиток на наличие повреждений и трещин. При необходимости выполните замену.	X		
Осмотрите щиток для рук на наличие повреждений и трещин. При необходимости выполните замену.	X		
Проверьте стопор дроссельного регулятора и сам дроссельный регулятор.	X		
Проверьте двигатель, топливный бак и топливопроводы на наличие утечек.	X		
Затяните гайки и винты.	X		
Проверьте топливный фильтр на наличие загрязнения и топливный шланг на наличие трещин или других дефектов. При необходимости выполните замену.	X		
Осмотрите стартер и шнур стартера на наличие повреждений.		X	
Очистите воздушный фильтр. При необходимости выполните замену.		X	
Осмотрите элементы системы гашения вибрации на наличие повреждений и трещин.		X	
Проверьте свечу зажигания (см. раздел <i>Проверка свечи зажигания на стр. 310</i> ).		X	
Очистите систему охлаждения.		X	
Очистите наружные поверхности карбюратора и область вокруг него.		X	
Очистите или замените искрогасительную сетку.			X
Промойте бензином внутреннюю поверхность топливного бака.			X
Проверьте свечу зажигания.			X
Убедитесь, что картер редуктора заполнен смазкой.			X

## Регулировка оборотов холостого хода

1. Очистите воздушный фильтр и установите крышку воздушного фильтра.
2. Запустите изделие (см. *Запуск изделия с холодным двигателем на стр. 307*).

3. Поворачивайте винт регулировки Т по часовой стрелке до тех пор, пока режущее оборудование не придет в движение.



4. Затем поворачивайте винт регулировки против часовой стрелки, пока режущее оборудование не остановится.



**ПРЕДУПРЕЖДЕНИЕ:** Если режущее оборудование не останавливается в ходе регулировки оборотов холостого хода, обратитесь к ближайшему сервисному дилеру. Запрещается пользоваться изделием, пока не будет выполнена его надлежащая регулировка или ремонт.

**Примечание:** Обороты холостого хода правильные, если двигатель работает ровно во всех положениях. Рекомендованные обороты холостого хода см. в разделе *Технические данные на стр. 312*.

## Очистка системы охлаждения

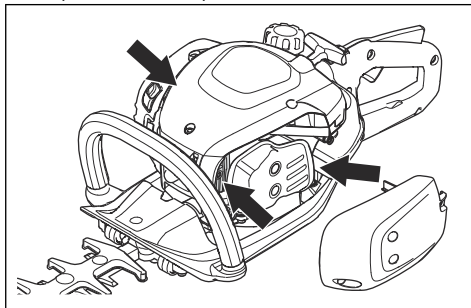
Система охлаждения поддерживает температуру двигателя на низком уровне. Система охлаждения включает охлаждающие ребра на цилиндре и корпусе стартера.



**ВНИМАНИЕ:** Воздухозаборник между топливным баком и картером легко забивается листьями. Полностью очищайте воздухозаборник.

1. Очищайте систему охлаждения щеткой еженедельно или чаще (при необходимости).

2. В системе охлаждения не должно быть загрязнений и засоров.

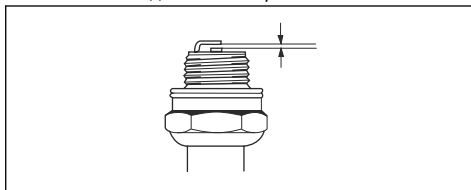


## Проверка свечи зажигания



**ВНИМАНИЕ:** Всегда используйте только указанный тип свечи. Использование неправильного типа свечи зажигания может привести к повреждению изделия.

- Проверьте свечу зажигания, если двигатель не набирает мощность, плохо заводится или плохо работает на холостых оборотах.
- Чтобы уменьшить риск появления нежелательного материала на электродах свечи зажигания, соблюдайте следующие инструкции:
  - a) Убедитесь в правильности регулировки частоты оборотов холостого хода.
  - b) Убедитесь, что используется надлежащая топливная смесь.
  - c) Убедитесь, что воздушный фильтр чист.
- Если свеча зажигания загрязнена, очистите ее и проверьте зазор между электродами, см. раздел *Технические данные на стр. 312*.



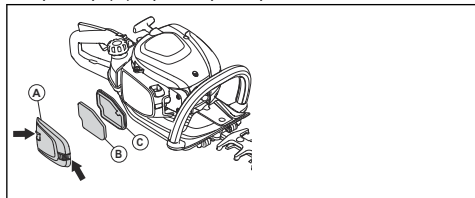
- При необходимости замените свечу зажигания.

## Очистка воздушного фильтра

Регулярно очищайте воздушный фильтр от грязи и пыли. Регулярная очистка предотвращает неисправности карбюратора, проблемы при запуске, снижение мощности двигателя, износ деталей двигателя и повышенный расход топлива.

1. Снимите крышку воздушного фильтра (А).

- Снимите поролоновый фильтр (В) и фетровый фильтр (С) с рамы фильтра.



- Замените фетровый фильтр (С).
- Промойте поролоновый фильтр (В) теплой мыльной водой.

**Примечание:** Воздушный фильтр после эксплуатации в течение длительного времени невозможно полностью очистить. Регулярно выполняйте замену воздушного фильтра и всегда заменяйте неисправный фильтр.

- Убедитесь в том, что поролоновый фильтр (В) полностью высох.
- Нанесите масло для воздушных фильтров на поролоновый фильтр (В). См. раздел *Нанесение масла на воздушный фильтр* на стр. 311
- Очистите внутреннюю поверхность крышки воздушного фильтра (А). Используйте для очистки сжатый воздух или щетку.

## Нанесение масла на воздушный фильтр



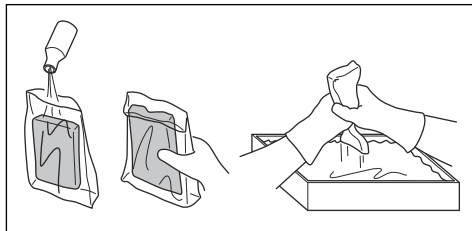
**ВНИМАНИЕ:** Необходимо использовать специальное масло для воздушных фильтров Husqvarna. Не используйте другие виды масла.



**ПРЕДУПРЕЖДЕНИЕ:** Наденьте защитные перчатки. Масло для воздушного фильтра может вызвать раздражение кожи.

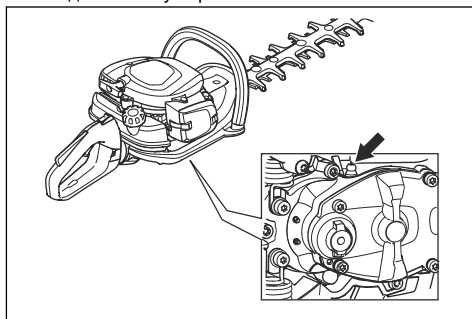
- Поместите воздушный фильтр в полиэтиленовый пакет.
- Налейте масло в полиэтиленовый пакет.
- Сожмите пакет, чтобы равномерно распределить масло по воздушному фильтру.

- Отожмите излишки масла из воздушного фильтра в пластиковый пакет.



## Смазка коробки передач

- Используйте специальную смазку Husqvarna. Для получения информации о рекомендованной смазке обратитесь к своему дилеру по обслуживанию.
- Введите смазку через смазочный ниппель.



**ВНИМАНИЕ:** Не заполняйте коробку передач смазкой полностью.

## Очистка и смазка ножей

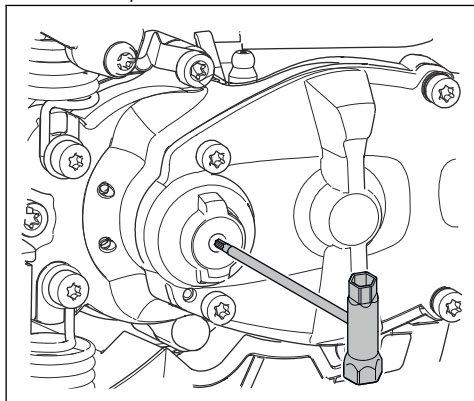
- Ножи необходимо очищать от посторонних материалов до и после эксплуатации.
- Смажьте ножи перед помещением изделия на продолжительное хранение.

**Примечание:** Для получения информации о рекомендованных чистящих средствах и смазке обратитесь к своему сервисному дилеру.

## Проверка ножей

- Снимите крышку картера редуктора.

- Убедитесь, что ножи свободно перемещаются. Вставьте комбинированный ключ в картер редуктора и поверните его по часовой и против часовой стрелки.
- Проверьте края ножей на наличие повреждений и деформации.
- Удалите заусенцы на ножах с помощью напильника.



## Транспортировка, хранение и утилизация

### Транспортировка и хранение

- Перед помещением на хранение, в обязательном порядке, давайте изделию остыть.
- Перед помещением на хранение и транспортировкой изделия и топлива убедитесь в отсутствии утечек или испарения топлива. Искры или источники открытого огня, например, от электрических устройств или котлов, могут привести к пожару.
- Всегда используйте рекомендованные контейнеры для хранения и транспортировки топлива.
- Перед транспортировкой или помещением изделия на длительное хранение слейте топливо из бака. Утилизируйте топливо в специально предназначенном для этого месте.
- На время транспортировки и хранения устанавливайте на изделие транспортировочный щиток.
- Снимите колпак свечи зажигания со свечи зажигания.
- Закрепляйте изделие на время транспортировки. Убедитесь, что изделие неподвижно зафиксировано.
- Перед помещением на длительное хранение очистите изделие и проведите его техобслуживание.

## Технические данные

### Технические данные

	522HD60X	522HDR60X	522HDR75X
<b>Двигатель</b>			
Объем цилиндра, см <sup>3</sup>	21,7	21,7	21,7
Обороты холостого хода, об/мин	3000	3000	3000
Рекомендованные макс. обороты, об/мин	9200	9200	9200
Максимальная мощность двигателя, согласно ISO 8893, кВт/л.с. при об/мин	0,6/0,8 при 7800	0,6/0,8 при 7800	0,6/0,8 при 7800
Глушитель с каталитическим конвертером	Да	Да	Да



	522HD60X	522HDR60X	522HDR75X
<b>Система зажигания</b>			
Свеча зажигания	NGK CMR6A	NGK CMR6A	NGK CMR6A
Зазор между электродами, мм	0,5	0,5	0,5
<b>Топливо</b>			
Емкость топливного бака, л/см <sup>3</sup>	0,45/450	0,45/450	0,45/450
<b>Масса</b>			
Без топлива, кг	4,9	5,0	5,2
<b>Излучение шума</b> <sup>61</sup>			
Уровень мощности звука, измеренный, дБ(А)	101	101	101
Уровень мощности шума, гарантированный L <sub>WA</sub> дБ (А)	102	102	102
<b>Уровни шума</b> <sup>62</sup>			
Эквивалентный уровень давления звука на уровне уха пользователя, измеренный согласно EN ISO 10517, дБ(А)	93	93	93
<b>Уровни вибрации</b> <sup>63</sup>			
Эквивалентный уровень вибрации (a <sub>h<sub>v</sub>,eq</sub> ) на рукоятках, измеренный согласно EN ISO 10517, м/с <sup>2</sup> :			
Спереди/сзади, мм/с <sup>2</sup>	2,7/1,2	2,8/1,3	2,1/2.2
<b>Ножи</b>			
Тип	Двухсторонние	Двухсторонние	Двухсторонние
Длина реза, мм	600	600	750
Скорость резания, ходов/мин	4400	3200	3200

<sup>61</sup> Излучение шума в окружающую среду измеряется как мощность звука (L<sub>WA</sub>) согласно директиве ЕС 2000/14/ЕС. Указанный уровень мощности звука для изделия измерен с оригинальным режущим оборудованием, дающим наивысший уровень. Разница между гарантированной и измеренной мощностью звука заключается в том, что гарантированная мощность звука включает результаты измерений диапазон и отклонения для изделий одной и той же модели согласно директиве 2000/14/ЕС.

<sup>62</sup> Указанные данные об уровне шумового давления имеют типичный статистический разброс (стандартное отклонение) в 1 дБ (А).

<sup>63</sup> Указанные данные об уровне вибрации имеют типичный статистический разброс (стандартное отклонение) 1 м/с<sup>2</sup>.

# Декларация о соответствии

## Декларация соответствия требованиям ЕС

Мы, компания **Husqvarna AB**, SE-561 82  
Husqvarna, Швеция, тел.: +46-36-146500, с полной  
ответственностью заявляем, что изделие:

<b>Описание</b>	Ножницы для живой изгороди
<b>Марка</b>	Husqvarna
<b>Тип / Модель</b>	522HD60X, 522HDR60X, 522HDR75X
<b>Идентификация</b>	Серийные номера начиная с 2022 года и далее

полностью соответствует следующим директивам и  
нормативам ЕС:

<b>Норматив</b>	<b>Описание</b>
2006/42/EC	"О механическом оборудовании"
2014/30/EU	"Об электромагнитной совместимости"
2000/14/EC	"Об излучении шума в окружающую среду"
2011/65/EU	"Об ограничении использования определенных опасных веществ в электрическом и электронном оборудовании"

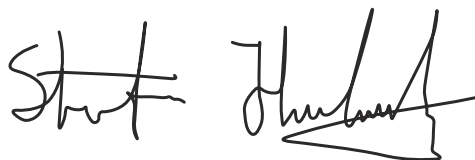
а также требованиям следующих стандартов и/или  
технических регламентов: EN ISO 12100:2021, CISPR  
12: 2009, EN ISO 10517:2009/A1:2013, EN IEC  
63000:2018.

Организация RISE SMP Svensk Maskinprovning AB,  
осуществила добровольную типовую проверку от  
имени компании Husqvarna AB. Номер сертификата:  
SEC/18/2518.

RISE SMP Svensk Maskinprovning AB, подтвердила  
соответствие требованиям Директивы Совета  
ЕС от 8 мая 2000 года "об эмиссии  
шума в окружающую среду" 2000/14/EC.  
Номера сертификатов: 01/094/026-522HD60X,  
01/094/027-522HDR60X, 522HDR75X.

Информацию по излучению шума см. в разделе  
*Технические данные на стр. 312.*

Husqvarna, 2022-05-09



Стефан Холмберг (Stefan Holmberg), директор  
отдела разработок, управление технологиями,  
Husqvarna AB

Ответственный за техническую документацию



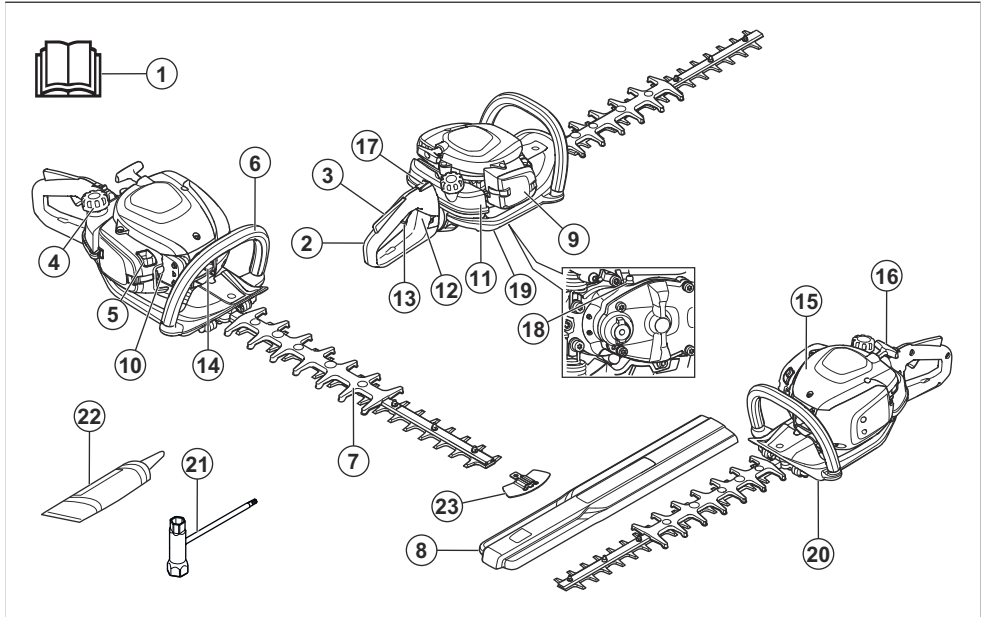
141400, Московская обл., Г. Химки, ул. Ленинградская,  
владение 39, строение 6, здание II этаж 4,  
помещение OB02\_04,  
телефон горячей линии 8-800-200-1689

## Obsah

Úvod.....	315	Preprava, skladovanie a likvidácia.....	326
Bezpečnosť.....	316	Technické údaje.....	326
Prevádzka.....	321	Vyhlásenie o zhode.....	328
Údržba.....	323		

## Úvod

### Prehľad výrobku



1. Návod na obsluhu
2. Zadná rukoväť
3. Poistka páčky plynu
4. Uzáver palivovej nádrže
5. Ovládanie sýtiča
6. Predná rukoväť
7. Nôž a chránič noža
8. Transportný kryt
9. Kryt vzduchového filtra
10. Balónik pumpy
11. Palivová nádrž
12. Zámok rukoväte
13. Ovládač škrtiacej klapky
14. Kryt zapalovacej sviečky a zapalovacia sviečka
15. Kryt valca
16. Držadlo štartovacieho lanka
17. Vypínač
18. Mazací výstupok
19. Skriňa prevodovky
20. Chránič ruky
21. Kombinovaný kľúč
22. Tuba maziva
23. Chránič špičky čepele

### Popis výrobku

Tento výrobok je plotostrih so spaľovacím motorom.

### Plánované použitie

Výrobok slúži na orezávanie konárov a vetvičiek.  
Výrobok nepoužívajte na iné účely.

## Symbols na výrobku



Stop.



Postupujte opatrne a používajte výrobok správnym spôsobom. Tento výrobok môže spôsobiť vážne poranenie alebo usmrtienie obsluhujúceho pracovníka alebo iných osôb.



Skôr než začnete produkt používať, pozorne si prečítajte návod na obsluhu a dôsledne sa oboznámte s pokynmi.



Používajte schválené prostriedky na ochranu sluchu a ochranu očí.



Používajte schválené ochranné rukavice.



Používajte odolné protišmykové topánky.

# T

Nastavovacia skrutka voľnobehu.

# H

Ihla vysokých otáčok.

# L

Ihla nízkych otáčok.



Emisie hluku do okolia podľa európskej smernice 2000/14/ES a legislatívy v štáte New South Wales „Protection of the Environment Operations (Noise Control) Regulation 2017“ (Nariadenie o ochrane životného prostredia pri prevádzke (kontrola hluku) z roku 2017). Údaje o emisii hluku možno nájsť na štítku stroja a v kapitole s technickými údajmi.

# CE

Tento výrobok je v súlade s príslušnými smernicami ES.

# UK CA

Tento výrobok je v súlade s príslušnými právnymi predpismi Spojeného kráľovstva.

rrrtboox

Výkonový štítok zobrazuje výrobné číslo. **yyyy** je rok výroby a **ww** je týždeň výroby.

**Poznámka:** Ostatné symboly/emblémy na výrobku odkazujú na zvláštne požiadavky certifikácie pre určité trhy.

## Emisie Euro V



**VÝSTRAHA:** Nepovolená manipulácia s motorom ruší platnosť typového schválenia tohto výrobku pre EÚ.

## Bezpečnosť

### Bezpečnostné definície

Výstrahy, upozornenia a poznámky slúžia na zdôraznenie mimoriadne dôležitých častí návodu.



**VÝSTRAHA:** Používa sa, ak pre obsluhu alebo osoby v okolí existuje nebezpečenstvo poranenia alebo smrti v prípade nedodržania pokynov v návode.



**VAROVANIE:** Používa sa, ak hrozí nebezpečenstvo poškodenia produktu, iných materiálov alebo okolitej oblasti v prípade nedodržania pokynov v návode.

**Poznámka:** Používa sa na poskytnutie informácií nad rámec nevyhnutných informácií v danej situácii.

### Všeobecné bezpečnostné pokyny



**VÝSTRAHA:** Skôr než budete produkt používať, prečítajte si nasledujúce výstrahy.

- Pri nesprávnom alebo neopatrnom používaní výrobku sa z neho môže stať nebezpečný nástroj, ktorý môže spôsobiť vážne alebo dokonca smrteľné zranenie. Je nanajvýš dôležité, aby ste si prečítali a porozumeli obsahu tohto návodu na obsluhu.

- Tento výrobok vytvára počas prevádzky elektromagnetické pole. Toto pole môže za určitých okolností spôsobovať rušenie aktívnych alebo pasívnych implantovaných lekárskeho prístrojov. Zníženie rizika podmienok, ktoré môžu viesť k vážnemu alebo aj smrteľnému poraneniu, si vyžaduje, aby sa osoby s implantovanými pomocami poradili so svojim lekárom a výrobcom pomôcky ešte pred použitím tohto výrobku.
- Nadmerné vystavenie vibráciám môže viesť k poškodeniu krvného obehu alebo nervovým poškodeniam u ľudí, ktorí majú zhoršený krvný obeh. Pri symptómoch nadmerného vystavenia vibráciám sa obráťte na svojho lekára. Tieto príznaky sú típnutie, strata citu, chvenie, pichanie, bolesť, strata sily, zmeny vo farbe a stave pleti. Tieto symptómy sa bežne objavujú na prstoch, rukách a zápästiach. Riziko je väčšie pri nízkych teplotách.
- V prípade neistoty ohľadom ďalšieho postupu sa obráťte na odborníka. Kontaktujte svojho predajcu alebo servisnú dielňu. Vyvarujte sa každému použitiu výrobku, ktoré podľa vás presahuje vaše možnosti.
- Majte na pamäti, že operátor je zodpovedný za nehody alebo nebezpečenstvo hroziace iným osobám alebo ich majetku.
- Nikdy nikomu nedovoľte, aby používal výrobok bez toho, že by ste sa najprv ubezpečili, že správne pochopil obsah návodu na obsluhu.
- Nikdy nedovoľte, aby výrobok používali deti a aby sa pohybovali v jeho blízkosti. Keďže výrobok je vybavený pružinovým vypínačom a možno ho naštartovať už pomalým a slabým zatiahnutím za držadlo štartéra, môžu za istých okolností dokonca aj malé deti vyvinúť silu potrebnú na naštartovanie výrobku. To môže znamenať riziko vážneho poranenia. Preto odmontujte kryt zapalovacej sviečky vždy, keď výrobok nie je pod dohľadom.
- Výrobok skladujte mimo dosahu detí.
- Nikdy nepoužívajte výrobok pri únave, po požití alkoholu alebo liekov, pretože to môže viesť k zhoršeniu zraku, úsudku alebo koordinácie.
- Nikdy nepoužívajte poškodený výrobok. Vykonávajte kontroly, údržbu a dodržiavajte servisné pokyny uvedené v tejto príručke. Určité opatrenia týkajúce sa servisu a údržby zariadenia musia vykonávať iba odborníci. Pozrite si pokyny v časti Údržba.
- Nikdy nepoužívajte výrobok, ktorý bol pozmenený a nezodpovedá sa s originálnymi špecifikáciami.
- Chybné kotúče môžu zvýšiť riziko nehôd.
- Zabezpečte, aby sa počas práce nikto nepriblížil do vzdialenosti menšej ako 15 m.
- Presvedčte sa, že v blízkosti nie sú ľudia ani zvieratá, ktoré by mohli prísť do kontaktu s rezným zariadením.
- Skontrolujte pracovnú oblasť. Odstráňte všetky predmety, ktoré by mohli pri strihaní vyletovať.
- Vždy pracujte v bezpečnej a stabilnej pracovnej polohe.
- Nikdy nenechávajte výrobok bez dozoru so spusteným motorom.
- Dávajte pozor, aby sa ruky a nohy nedostali do kontaktu s rezným zariadením, kým je zapnutý motor.
- Ak sa počas práce v čepeliach čokôľvek zasekne, vypnite motor a počkajte, kým sa rezacie zariadenie úplne nezastaví, až potom čepele uvoľníte. Odpojte kábel vysokého napätia zo zapalovacej sviečky. Pozrite si časť *Kontrola čepeli na strane 326*.
- Po vypnutí motora počkajte a nedotýkajte sa rezného zariadenia, kým sa úplne nezastaví.
- Dávajte pozor na zvyšky konárov, ktoré môžu odletúvať pri rezaní.
- Ak nosíte chrániče sluchu, dávajte pozor, aby signály alebo výkriky. Vždy si chrániče sluchu skladajte ihneď, ako sa motor zastaví.
- Nikdy nepracujte, ak stojíte na rebríku alebo v inej vyvýšenej polohe, ktorá nie je úplne bezpečná.
- Výrobok vždy držte oboma rukami. Výrobok držte pred telom.
- Ak výrobok zasiahne cudzí predmet alebo ak cítite vibrácie, ihneď ho zastavte. Odpojte kábel vysokého napätia zo zapalovacej sviečky. Skontrolujte, či výrobok nie je poškodený. Akékoľvek poškodenie opravte.
- Skontrolujte, či nie sú uzáver zapalovacej sviečky a zapalovací vodič poškodené, aby ste predišli riziku elektrického šoku.
- Skontrolujte, či sú všetky matice a skrutky zatiahnuté.
- Skontrolujte, či je správne namazaná skriňa prevodovky. Pozrite si časť *Mazanie skrine prevodovky na strane 325*.
- Skriňa prevodovky sa počas používania výrobku zohreje. Nedotýkajte sa skrine prevodovky, aby ste predišli popáleniu.
- Pred naštartovaním sa musia nasadiť všetky kryty a ochranné prvky.
- Ak výrobok nepoužívate, vždy je na rezné zariadenie potrebné nasadiť transportný kryt.

## Bezpečnostné pokyny pre prevádzku



**VÝSTRAHA:** Skôr než budete výrobok používať, prečítajte si nasledujúce výstrahy.

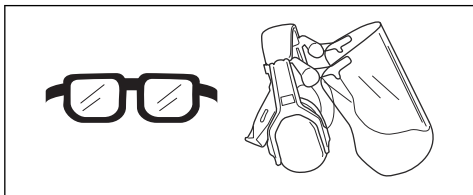
- Nikdy nepoužívajte výrobok za nepriaznivého počasia, napríklad pri veľkom mraze, vo veľmi horúcom alebo vlhkom podnebí.



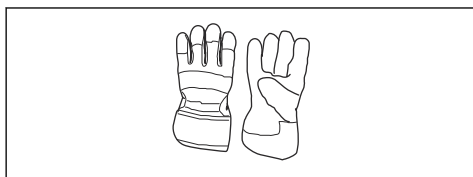
**VÝSTRAHA:** Skôr než budete výrobok používať, prečítajte si nasledujúce výstrahy.

## Osobné ochranné prostriedky

- Pri používaní produktu vždy používajte schválené osobné ochranné prostriedky. Osobné ochranné prostriedky nedokážu úplne vylúčiť riziko, ale môžu znížiť vážnosť zranenia v prípade nehody. Váš predajca vám pomôže pri výbere správnych prostriedkov.
- Používajte schválené chrániče sluchu, ktoré zaručujú primeranú redukciu hluku. Dlhodobé vystavenie sa hluku môže spôsobiť trvalé poškodenie sluchu.
- Používajte schválené chrániče očí. Ak používate štít, musíte tiež používať schválené ochranné okuliare. Schválené ochranné okuliare musia zodpovedať norme ANSI Z87.1 platnej v USA alebo norme EN 166 platnej v krajinách EÚ.



- Keď je to potrebné, používajte rukavice, ako napríklad pri montáži, kontrole alebo čistení rezného zariadenia.



- Noste pevné protišmykové čizmy alebo topánky.



- Používajte odev vyrobený z pevnej tkaniny. Vždy noste pevné, dlhé nohavice a dlhé rukávy. Nepoužívajte voľný odev, ktorý sa môže zachytiť v konároch a vetvách. Nenoste šperky, krátke nohavice, sandále a nebuďte bosí. Vlas si bezpečne uchýťte nad úrovňou ramien.
- Majte poruke pomôcky na poskytnutie prvej pomoci.



## Bezpečnostné zariadenia na výrobku

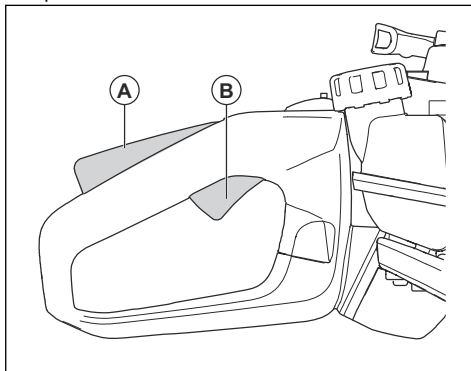


**VÝSTRAHA:** Skôr než budete produkt používať, prečítajte si nasledujúce výstrahy.

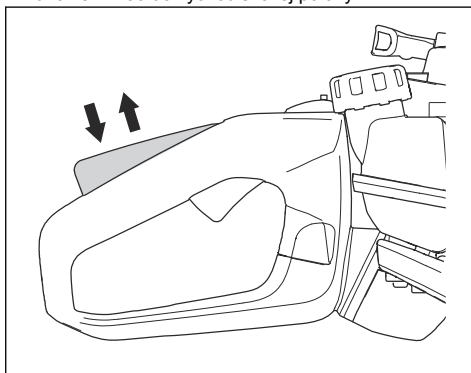
- Nepoužívajte produkt, ktorý má chybné bezpečnostné zariadenia.
- Pravidelne kontrolujte bezpečnostné zariadenia. Ak sú bezpečnostné zariadenia chybné, obráťte sa na servisného zástupcu spoločnosti Husqvarna.

### Kontrola poistky páčky plynu

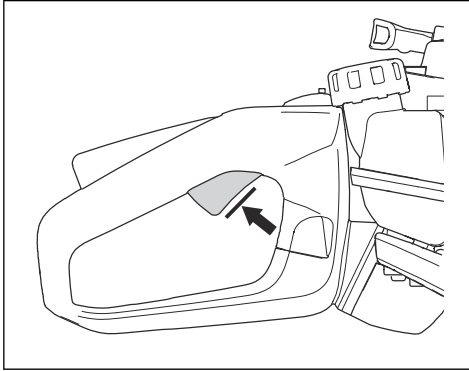
1. Skontrolujte, či sa poistka páčky plynu (A) a páčka plynu (B) pohybujú voľne a či vratná pružina funguje správne.



2. Stlačte poistku páčky plynu a uistite sa, že sa po uvoľnení vráti do východiskovej polohy.



3. Uistite sa, že je páčka plynu zablokovaná v polohe voľnobehu, keď je poistka páčky plynu uvoľnená.



4. Naštartujte výrobok a pridajte plný plyn.
5. Uvoľníte páčku plynu a skontrolujte, či sa čepele zastavia a zostanú stát'.



**VÝSTRAHA:** Ak sa čepele nezastavia, keď je páčka plynu vo voľnobežnej polohe, musíte nastaviť voľnobežné otáčky karburátora. Pozrite si časť *Nastavenie voľnobežných otáčok na strane 324.*

#### Kontrola vypínača

1. Naštartujte motor.
2. Zatláčajte vypínač do polohy Stop a skontrolujte, či sa motor zastavil.



**VÝSTRAHA:** Vypínač sa automaticky vráti do polohy Štart. Aby ste zabránili náhodnému spusteniu, pri montáži alebo údržbe výrobku odpojte kryt zapalovacej sviečky zo zapalovacej sviečky.

#### Kontrola chrániča ruky

Chránič ruky chráni pred poranením spôsobeným čepeľami.

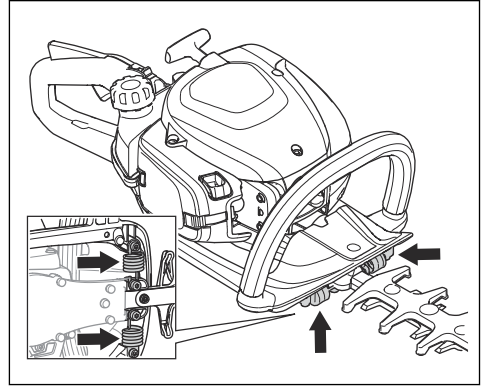
1. Zastavte motor.
2. Uistite sa, že je chránič ruky správne pripevnený.
3. Skontrolujte, či chránič ruky nie je poškodený

#### Kontrola systému na tmenie vibrácií

Systém na tmenie vibrácií znižuje vibrácie v rukovätiach. Jednotky na tmenie vibrácií fungujú ako oddelovacie prvky medzi telom výrobku a jednotkou rukoväti.

1. Pohľadom skontrolujte výskyt prípadných deformácií a poškodení.

2. Skontrolujte, či sú správne nasadené prvky na tmenie vibrácií.



#### Kontrola tmiča výfuku



**VÝSTRAHA:** Nepoužívajte výrobok, ak chýba alebo je chybný tmič výfuku. Poškodený tmič výfuku môže zvýšiť hladinu hluku a riziko požiaru. Nepoužívajte výrobok, ak sitko lapača iskier chýba alebo je poškodené. Ak je sitko lapača iskier poškodené, musí sa vymeniť.



**VÝSTRAHA:** Tmiče výfuku sa počas prevádzky a po nej výrazne zahrievajú, a to aj pri voľnobežných otáčkach.



**VAROVANIE:** Ak je sitko lapača iskier často zanesené, môže to znamenať, že výkon katalyzátora je znížený. Spojte sa so servisným predajcom, aby tmič výfuku skontroloval. Zablokované sitko lapača iskier spôsobí prehriatie a môže spôsobiť poškodenie valca a piestu.

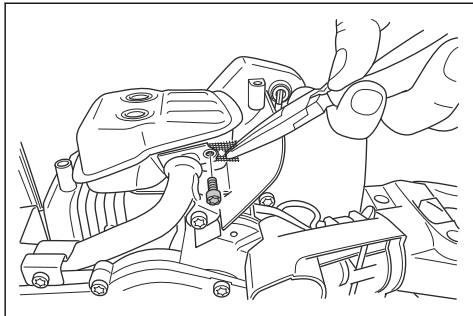


**VÝSTRAHA:** Vnútorne povrchy tmiča výfuku obsahujú chemické látky, ktoré môžu spôsobovať rakovinu. Dajte pozor, aby ste sa s týmito prvkami v prípade poškodenia tmiča výfuku nedotkli.

Tmič výfuku slúži na udržiavanie minimálnej hladiny hluku a na smerovanie výfukových plynov smerom od obsluhy. Tmič výfuku s katalyzátorom znižuje množstvo škodlivých výfukových plynov.

1. Zastavte motor.
2. Pohľadom skontrolujte prítomnosť prípadných poškodení a deformácií.
3. Skontrolujte, či je tmič výfuku správne pripevnený k výrobku.

#### 4. Pomocou drôtovej kefy vyčistite sitko lapača iskier.



#### Kontrola čepelí a chrániča čepelí

Vonkajšia časť čepelí plní funkciu chrániča čepelí. Chránič čepelí zabráňuje poraneniam v dôsledku porezania.

1. Zastavte motor a skontrolujte, či sa čepele zastavia.
2. Odmontujte kryt zapaľovacej sviečky od sviečky.
3. Používajte ochranné rukavice.
4. Skontrolujte, či nôž a chránič noža nie sú poškodené ani ohnuté. Poškodenú alebo ohnutú čepeľ, prípadne poškodený chránič čepelí treba vždy vymeniť.
5. Skontrolujte, či sú skrutky na čepeľoch a chrániči čepelí dobre zaskrutkované.

#### Bezpečnosť paliva



**VÝSTRAHA:** Skôr než budete používať produkt, prečítajte si nasledujúce výstrahy.

- Výrobok neštartujte, ak sú na ňom zvyšky paliva alebo motorového oleja. Odstráňte neželané palivo/olej a nechajte výrobok vyschnúť.
- Ak vylejete palivo na odev, okamžite sa prezlečte.
- Dávajte pozor, aby ste si palivo nevyliali na telo, pretože môže spôsobiť poranenie. Ak si palivo vylejete na telo, umyte sa pomocou mydla vody.
- Výrobok neštartujte, ak sa na motore vyskytuje netesnosť. Pravidelne kontrolujte výskyt netesností na motore.
- Pri manipulácii s palivom zachovajte opatrnosť. Palivo je horľavá látka a výpary z paliva sú výbušné a môžu spôsobiť poranenia alebo smrť.
- Vyhnite sa vdychovaniu výparov paliva, pretože môžu spôsobiť poranenie. Zabezpečte dostatočné prúdenie vzduchu.
- V blízkosti paliva alebo motora nefajčite.

- Neukladajte do blízkosti paliva alebo motora teplé predmety.
- Nedopĺňajte palivo, keď je zapnutý motor.
- Pred dopĺňaním paliva sa uistite, že motor vychladol.
- Pred dopĺňaním paliva pomaly otvorte veko palivovej nádrže a opatrne uvoľnite tlak.
- Palivo do motora nedopĺňajte v interiéri. Nedostatočné prúdenie vzduchu môže spôsobiť poranenie alebo smrť v dôsledku udusenía alebo otravy oxidom uhoľnatým.
- Veko palivovej nádrže pevne utiahnite. Ak nie je veko palivovej nádrže pevne utiahnuté, existuje riziko vzniku požiaru.
- Pred naštartovaním premiestnite výrobok minimálne 3 m od miesta, kde ste dopĺňali palivo do nádrže.
- Palivovú nádrž nedopĺňajte úplne doplna. Teplo spôsobuje expanziu paliva. Uchovajte miesto navrchu palivovej nádrže.

#### Bezpečnostné pokyny pre údržbu



**VÝSTRAHA:** Skôr než budete výrobok používať, prečítajte si nasledujúce výstrahy.

- Zastavte motor a skontrolujte, či sa rezná zariadenie zastaví. Pred vykonávaním údržby nechajte produkt vychladnúť.
- Pred vykonávaním údržby odpojte kryt zapaľovacej sviečky.
- Výfukové plyny z motora obsahujú oxid uhoľnatý, plyn bez zápachu, ktorý je jedovatý, veľmi nebezpečný a môže spôsobiť smrť. Produkt neštartujte v interiéri ani v uzavretých priestoroch.
- Výfukové plyny z motora sú horúce a môžu obsahovať iskry. Nepoužívajte výrobok vo vnútri ani v blízkosti horľavého materiálu.
- Príslušenstvo a úprava výrobku, ktoré neschválil výrobca, môžu spôsobiť vážne poranenia alebo smrť. Výrobok neupravujte. Vždy používajte originálne príslušenstvo.
- Nepravidelná a nesprávne vykonaná údržba zvyšuje nebezpečenstvo poranenia a poškodenia výrobku.
- Vykonávajte len údržbu odporúčanú v tomto návode na obsluhu. Vykonanie všetkých ostatných servisných úkonov ponechajte na schváleného servisného zástupcu spoločnosti Husqvarna.
- Výrobok nechajte pravidelne kontrolovať kvôli údržbe u schváleného servisného zástupcu spoločnosti Husqvarna.
- Vymeňte všetky poškodené, opotrebované alebo zlomené diely.



# Prevádzka

## Úvod



**VÝSTRAHA:** Pred používaním výrobku si prečítajte kapitolu o bezpečnosti a uistite sa, že rozumiete informáciám, ktoré sa v nej uvádzajú.

## Palivo

Tento výrobok má dvojtaktný motor.



**VAROVANIE:** Nesprávny typ paliva môže poškodiť motor. Používajte zmes benzínu a dvojtaktného oleja.

## Namiešané palivo

- Na dosiahnutie najlepšieho výkonu a maximalizáciu životnosti motora použite namiešané alkylátové palivo Husqvarna. Toto palivo obsahuje v porovnaní s bežným palivom menej škodlivých látok, čo znižuje objem škodlivých výfukových plynov. Množstvo zvyškov po spaľovaní je pri tomto palive nižšie, čo udržiava komponenty motora čistejšie.

## Miešanie paliva

### Benzín

- Používajte kvalitný bezolovnatý benzín s max. 10 % etanolu.



**VAROVANIE:** Nepoužívajte benzín s oktánovým číslom menším než 90 RON/87 AKI. Použitie nižšieho oktánového čísla môže spôsobiť klepanie motora, ktoré môže viesť k poškodeniu motora.

### Dvojtaktný olej

- Na dosiahnutie najlepších výsledkov používajte dvojtaktný olej Husqvarna.
- Ak nemáte k dispozícii dvojtaktný olej Husqvarna, môžete použiť iný dvojtaktný olej vysokej kvality, ktorý je určený pre vzduchom chladené motory. S výberom správneho oleja vám poradí váš servisný predajca.



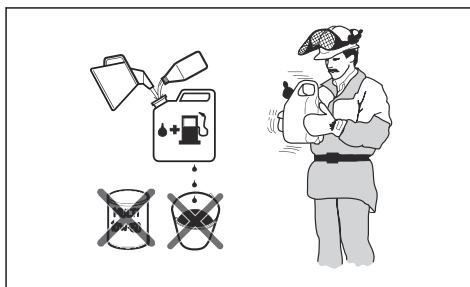
**VAROVANIE:** Nepoužívajte olej pre dvojtaktné motory určený pre vodu chladené motory, niekedy označovaný aj ako olej pre lodné motory. Nepoužívajte oleje určené pre štvortaktné motory.

## Vytvorenie zmesi benzínu a oleja pre dvojtaktné motory

Benzín, liter	Olej pre dvojtaktné motory, liter
	<b>2 % (50:1)</b>
5	0,10
10	0,20
15	0,30
20	0,40



**VAROVANIE:** Pri miešaní malého množstva paliva môžu malé chyby výrazne ovplyvniť pomer zmesi. Opatrne odmerajte množstvo oleja, aby ste získali správnu zmes.



- Polovicu množstva benzínu nalejte do čistej nádoby na palivo.
- Pridajte celú dávku oleja.
- Zmes paliva premiešajte.
- Do nádoby pridajte zvyšné množstvo benzínu.
- Zmes paliva opatrne premiešajte.



**VAROVANIE:** Zmes paliva nemiešajte na viac ako 1 mesiac.

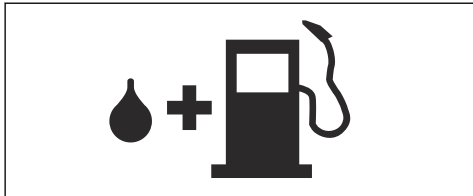
## Doplnenie paliva do palivovej nádrže



**VÝSTRAHA:** Dodržiavajte nasledujúci postup kvôli vlastnej bezpečnosti.

- Zastavte motor a nechajte ho vychladnúť.

2. Vyčistite priestor okolo veka palivovej nádrže.



3. Zatraste nádobou a skontrolujte, či je palivo úplne zmiešané.
4. Pomaly odstráňte veko palivovej nádrže a uvoľnite tlak.
5. Nalejte palivo do palivovej nádrže.



**VAROVANIE:** Skontrolujte, či v palivovej nádrži nie je príliš veľa paliva. Pri zahrievaní sa palivo rozširuje.

6. Uťahnite veko palivovej nádrže.
7. Utrite rozliaty benzín na produktoch na okolo neho.
8. Pred štartovaním motora sa s výrobkom vzdialte od miesta dopĺňania a od zdroja paliva minimálne o 3 m/10 stôp.

**Poznámka:** Ak chcete zistiť, kde sa palivová nádrž nachádza na vašom výrobku, pozrite si časť *Prehľad výrobku na strane 315*.

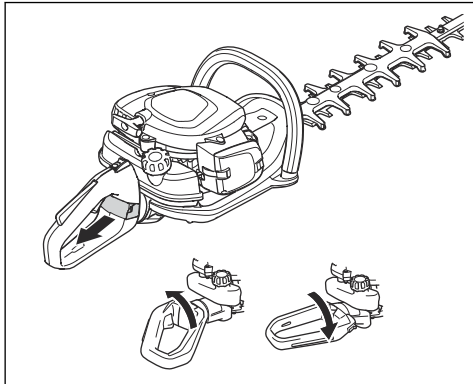
## Inštalácia chrániča špičky čepele

1. Odstráňte maticu a skrutku na špičke čepele.
2. Na špičku čepele namontujte chránič špičky čepele.
3. Namontujte skrutku a utiahnite ju momentom 7 Nm.
4. Namontujte maticu a utiahnite ju momentom 5 Nm.

## Nastavenie rukoväti

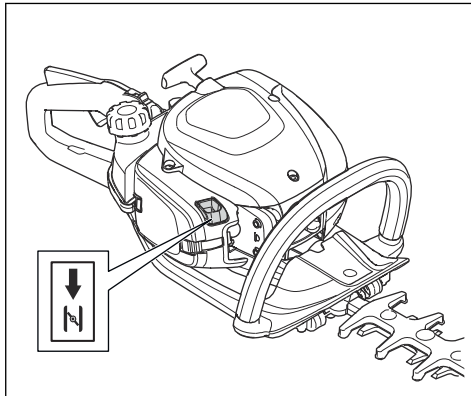
Zadnú rukoväť možno nastaviť do 3 polôh.

- Uvoľnite zámok rukoväti a otočte rukoväť.



## Spustenie výrobku so studeným motorom

1. Vytiahnite ovládanie sýtiča a do polohy sýtiča.



2. Balónik pumpy stlačte približne 6-krát alebo dovtedy, kým sa balónik nezačne plniť palivom. Nie je potrebné úplne naplniť balónik pumpy.
3. Ľavou rukou držte telo výrobku na zemi. Na výrobok nestúpajte.
4. Pomaly ťahajte rukoväť štartovacieho lanka pravou rukou, kým nepocítite istý odpor, a následne rukoväť štartovacieho lanka potiahnite rýchlo a silno.



**VÝSTRAHA:** Štartovacie lanko si neovijajte okolo ruky.



**VAROVANIE:** Nevytahujte štartovací šnúru úplne von a nepúšťajte rukoväť štartovacej šnúry.

5. Pokračujte v ťahaní rukoväti štartovacieho lanka, kým motor nenaskočí, a potom zatlačte ovládanie sýtiča do jeho pôvodnej polohy.



**VÝSTRAHA:** Keď sa motor štartuje, nože sa hýbu.

6. Pokračujte v ťahaní rukoväti štartovacieho lanka, kým motor nenaštartuje.
7. Stlačením a uvoľnením páčky plynu nastavte motor na voľnobežné otáčky.
8. Ak chcete znížiť otáčky motora, potiahnite ovládanie plynu dozadu.
9. Uistite sa, že motor pracuje bez problémov.

## Spustenie výrobku so zahriatym motorom

1. Ľavou rukou držte telo výrobku na zemi. Na výrobok nestúpajte.
2. Pomaly ťahajte rukoväť štartovacieho lanka pravou rukou, kým nepocítite istý odpor, a následne rukoväť štartovacieho lanka potiahnite rýchlo a silno. Pokračujte, kým sa motor nenašartuje.

**Poznámka:** Ďalšie informácie o spôsobe štartovania produktu nájdete v časti *Spustenie výrobku so studeným motorom na strane 322*.

## Vypnutie výrobku

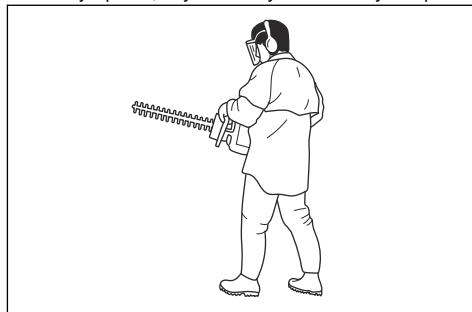
- Motor môžete zastaviť posunutím vypínača do polohy zastavenia.



**VAROVANIE:** Vypínač sa automaticky vráti do polohy prevádzky.

## Prevádzka produktu

1. Štartujte výrobok pri zemi a pri rezaní bočných častí plota posúvajte výrobok smerom nahor pozdĺž plota. Dávajte pozor, aby sa telo výrobku nedotýkalo plota.



**VÝSTRAHA:** Dávajte pozor, aby sa predná časť rezného zariadenia nedotýkala zeme.

2. Upravte otáčky tak, aby zodpovedali zaťaženiu pri práci.
3. Na zabezpečenie stabilnej polohy pri práci držte výrobok v blízkosti tela.
4. Zachovávajte opatrnosť a používajte výrobok pomaly.

## Údržba

### Úvod

že rozumiete informáciám, ktoré sú v nej uvedené.



**VÝSTRAHA:** Pred údržbou výrobku si prečítajte kapitolu o bezpečnosti a uistite sa,

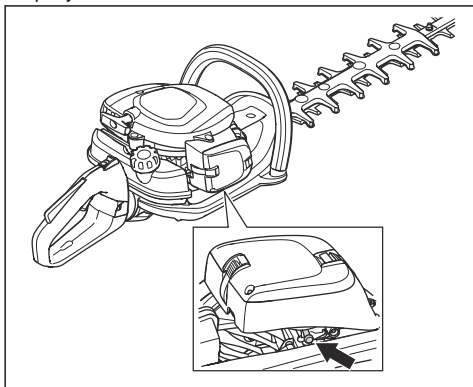
### Plán údržby

Údržba	Pred prevádzkou	Po 40 h	Po 100 h
Vyčistíte vonkajšie povrchy.		Po každom použití.	
Z tlmiča výfuku, výfukového potrubia a motora odstráňte listy, nečistoty a nežiaduce mazivo.		Po každom použití.	
Skontrolujte, či sa pri voľnobehu nepohybuje rezací nástroj.	X		
Skontrolujte vypínač.	X		
Skontrolujte, či nie je rezací nástroj a jeho chránič poškodený alebo prasknutý. V prípade poškodenia vykonajte výmenu.	X		
Skontrolujte, či nie je chránič ruky poškodený alebo prasknutý. V prípade poškodenia vykonajte výmenu.	X		
Vykonajte kontrolu páčky plynu a poistky páčky plynu.	X		

Údržba	Pred pre- vádzkou	Po 40 h	Po 100 h
Skontrolujte tesnosť motora, palivovej nádrže a rozvodov paliva.	X		
Dotiahnite matice a skrutky.	X		
Skontrolujte, či nie je palivový filter znečistený a či nie je palivová hadica prasknutá alebo inak poškodená. V prípade potreby vymeňte.	X		
Skontrolujte, či štartér a štartovacie nie sú poškodené.		X	
Vyčistite vzduchový filter. V prípade potreby ich vymeňte.		X	
Skontrolujte prvky na tlmenie vibrácií, či nie sú poškodené alebo prasknuté.		X	
Skontrolujte zapalovaciu sviečku, pozrite si časť <i>Kontrola zapalovacej sviečky na strane 325</i> .		X	
Vyčistite chladiaci systém.		X	
Vyčistite vonkajší povrch karburátora a jeho okolie.		X	
Vyčistite alebo vymeňte sitko lapača iskier.			X
Vyčistite vnútorný povrch palivovej nádrže.			X
Skontrolujte zapalovaciu sviečku.			X
Skontrolujte, či je skriňa prevodovky naplnená mazivom.			X

## Nastavenie voľnobežných otáčok

- Očistite vzduchový filter a pripevnite kryt vzduchového filtra.
- Spustíte výrobok, pozrite si časť *Spustenie výrobku so studeným motorom na strane 322*.
- Otáčajte nastavovaciu skrutku voľnobehu T v smere hodinových ručičiek, kým sa rezací nástroj nezačne pohybovať.



- Otáčajte nastavovaciu skrutku voľnobehu proti smeru hodinových ručičiek, kým sa rezací nástroj nezastaví.



**VÝSTRAHA:** Ak sa pri úprave rýchlosti voľnobehu rezací nástroj nezastaví, obráťte sa na najbližšieho servisného predajcu. Nepoužívajte výrobok, kým nebol správne nastavený alebo opravený.

**Poznámka:** Voľnobežné otáčky sú nastavené správne, ak motor beží plynulo vo všetkých polohách. Informácie o odporúčaných voľnobežných otáčkach nájdete v časti *Technické údaje na strane 326*.

## Čistenie chladiaceho systému

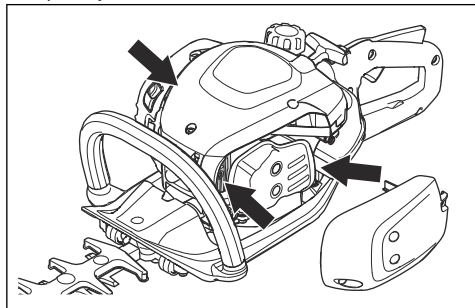
Chladiaci systém udržuje teplotu motora na nižšej úrovni. Chladiaci systém zahŕňa chladiace rebrá na valci a kryt štartéra.



**VAROVANIE:** Nasávanie vzduchu medzi palivovou nádržou a kľukovou skriňou sa ľahko upchá listami. Úplne vyčistite nasávanie vzduchu.

- Kefkou očistite chladiaci systém raz týždenne alebo v prípade potreby aj častejšie.

2. Skontrolujte, či chladiaci systém nie je znečistený ani upchaný.

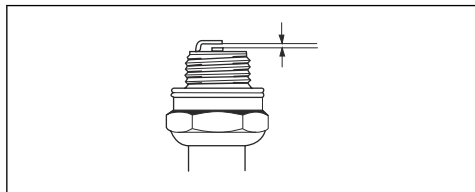


## Kontrola zapáľovacej sviečky



**VAROVANIE:** Vždy používajte odporúčaný typ zapáľovacej sviečky. Nesprávny typ zapáľovacej sviečky môže spôsobiť poškodenie výrobku.

- Ak má motor slabý výkon, ťažko sa štartuje alebo pri voľnobežných otáčkach nefunguje správne, skontrolujte zapáľovaciu sviečku.
- Ak chcete znížiť riziko prítomnosti neželaného materiálu na elektródach zapáľovacej sviečky, postupujte takto:
  - a) Uistite sa, že voľnobežné otáčky sú správne nastavené.
  - b) Uistite sa, že používate správnu zmes paliva.
  - c) Uistite sa, že je čistý vzduchový filter.
- Ak je zapáľovacia sviečka znečistená, očistite ju a skontrolujte, či je medzera medzi elektródami správna. Pozrite si časť *Technické údaje na strane 326*.



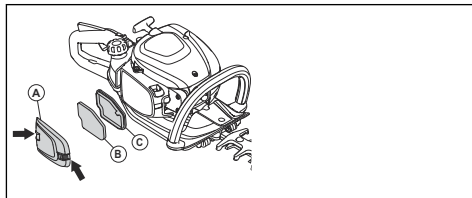
- V prípade potreby vymeňte zapáľovaciu sviečku.

## Čistenie vzduchového filtra

Pravidelne čistite vzduchový filter od nečistôt a prachu. Tým sa zabráni poruche karburátora, problémom pri štarte, strate výkonu motora, opotrebovaniu častí motora a väčšej spotrebe paliva ako zvyčajne.

1. Demontujte kryt vzduchového filtra (A).

2. Demontujte penový filter (B) a plstený filter (C) z rámu filtra.



3. Vymeňte plstený filter (C).
4. Očistite penový filter (B) teplou mydlovou vodou.

**Poznámka:** Vzduchový filter, ktorý bol používaný dlhší čas, nemožno úplne vyčistiť. Pravidelne vymieňajte vzduchový filter a vždy vymeňte poškodený vzduchový filter.

5. Skontrolujte, či je penový filter (B) suchý.
6. Na penový filter (B) naneste olej vzduchového filtra. Pozrite si časť *Aplikácia oleja na vzduchový filter na strane 325*
7. Vyčistite aj vnútorný povrch krytu vzduchového filtra (A). Použite stlačený vzduch alebo kefku.

## Aplikácia oleja na vzduchový filter

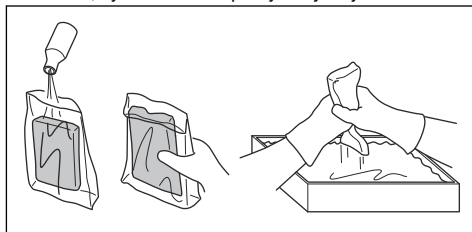


**VAROVANIE:** Vždy používajte Husqvarna špeciálny olej na vzduchový filter. Nepoužívajte iné typy olejov.



**VÝSTRAHA:** Používajte ochranné rukavice. Olej vzduchového filtra môže spôsobiť podráždenie pokožky.

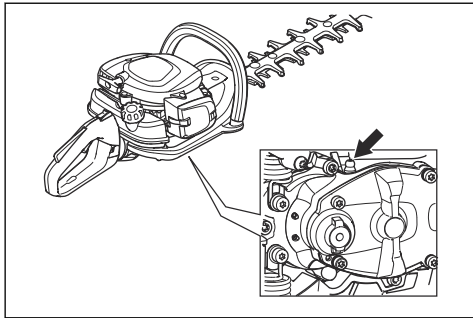
1. Vložte vzduchový filter do plastového vrečka.
2. Nalejte do plastového vrečka olej.
3. Stláčaním plastového vrečka sa uistíte, že sa olej rovnomerne naniesie na celý vzduchový filter.
4. Kým sa vzduchový filter nachádza v plastovom vrečku, vytlačte z neho prebytočný olej.



## Mazanie skrine prevodovky

- Použite špeciálne mazivo Husqvarna. Ak potrebujete ďalšie informácie o odporúčanom mazive, obráťte sa na servisného predajcu.

- Doplňte mazivo cez maznicu.



**VAROVANIE:** Skriňu prevodovky nenapĺňajte mazivom na maximum.

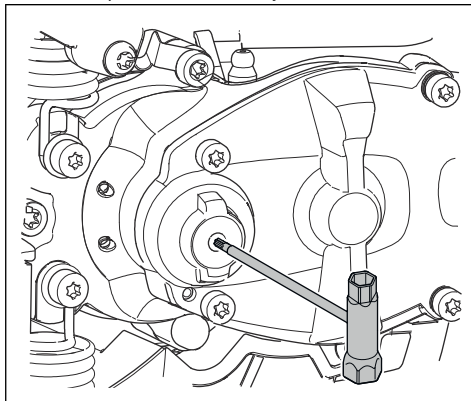
## Čistenie a mazanie čepelí

1. Pred použitím a po použití výrobku odstráňte z nožov nežiaduci materiál.
2. Pred uskladnením na dlhé obdobie nože namažte.

**Poznámka:** Ak potrebujete ďalšie informácie o odporúčaných čistiacich prostriedkoch a mazivách, obráťte sa na servisného predajcu.

## Kontrola čepelí

1. Demontujte uzáver na skriňi prevodovky.
2. Skontrolujte, či sa čepele voľne pohybujú. Zastrčte kombinovaný kľúč do skrine prevodovky a otáčajte v smere a proti smeru hodinových ručičiek.



3. Skontrolujte, či nie sú poškodené a zdeformované okraje čepelí.
4. Pomocou pilníka odstráňte ostriny na čepeliach.

## Preprava, skladovanie a likvidácia

### Preprava a uskladnenie

- Výrobok nechajte pred uskladnením vždy vychladnúť.
- Pri uskladňovaní a preprave výrobku a paliva sa uistite, že nedochádza k úniku kvapaliny a výparov. Iskry alebo otvorené plamene, napr. z elektrických zariadení alebo bojlerov, môžu vyvolať požiar.
- Na uskladnenie a prepravu paliva vždy používajte schválené kanistre.
- Pred prepravou alebo dlhodobým uskladnením vyprázdňte palivovú nádrž. Palivo zlikvidujte v príslušnom zariadení na likvidáciu.

- Počas prepravy a skladovania nasadte transportný kryt.
- Odmontujte kryt zapalovacej sviečky od sviečky.
- Pred prepravou výrobok upevnite. Presvedčte sa, že sa ním nedá pohnúť.
- Pred dlhodobým uskladnením výrobok vyčistite a vykonajte jeho servis.

## Technické údaje

### Technické údaje

	522HD60X	522HDR60X	522HDR75X
<b>Motor</b>			
Objem valca, cm <sup>3</sup>	21,7	21,7	21,7
Voľnobežné otáčky, ot./min	3 000	3 000	3 000

	522HD60X	522HDR60X	522HDR75X
Odporúčané max. otáčky, ot./min	9 200	9 200	9 200
Max. výkon motora podľa normy ISO 8893, kW/hp pri ot./min.	0,6/0,8 pri 7 800	0,6/0,8 pri 7 800	0,6/0,8 pri 7 800
Tlmič výfuku s katalyzátorom	Áno	Áno	Áno
<b>Systém zapalovania</b>			
Zapaľovacia sviečka	NGK CMR6A	NGK CMR6A	NGK CMR6A
Vzdialenosť elektród, mm	0,5	0,5	0,5
<b>Palivo</b>			
Objem palivovej nádrže, l/cm <sup>3</sup>	0,45/450	0,45/450	0,45/450
<b>Hmotnosť</b>			
Bez paliva, kg	4,9	5,0	5,2
<b>Emisie hluku</b> <sup>64</sup>			
Nameraná úroveň hlučnosti dB(A)	101	101	101
Zaručená úroveň hlučnosti L <sub>WA</sub> dB(A)	102	102	102
<b>Úrovně hlučnosti</b> <sup>65</sup>			
Ekvivalentná hladina akustického tlaku pri uchu používateľa meraná podľa normy EN ISO 10517, dB(A)	93	93	93
<b>Úrovně vibrácií</b> <sup>66</sup>			
Ekvivalentné hladiny vibrácií (a <sub>hV,eq</sub> ) na rukovätiach merané podľa normy EN ISO 10517, m/s <sup>2</sup> :			
Vpredu/vzadu, mm/s <sup>2</sup>	2,7/1,2	2,8/1,3	2,1/2.2
<b>Čepele</b>			
Typ	Obojstranné	Obojstranné	Obojstranné
Dĺžka rezu, mm	600	600	750
Rýchlosť rezania, rezy/min	4 400	3 200	3 200

<sup>64</sup> Hladina hluku meraná ako akustický tlak (L<sub>WA</sub>) v súlade s európskou smernicou 2000/14/ES. Uvádzaná hladina akustického výkonu pre výrobok bola meraná s originálnym rezacím nadstavcom, ktorý produkuje najvyššiu úroveň. Rozdiel medzi zaručeným a nameraným akustickým výkonom spočíva v tom, že zaručený akustický výkon zahŕňa aj rozptyl výsledkov merania a rozdiely medzi jednotlivými výrobkami rovnakého modelu v súlade so smernicou 2000/14/ES.

<sup>65</sup> Uvádzané údaje pre hladinu akustického tlaku majú typický štatistický rozptyl (štandardnú odchýlku) 1 dB (A).

<sup>66</sup> Uvádzané údaje pre ekvivalentný stupeň vibrácií majú typický štatistický rozptyl (štandardnú odchýlku) 1 m/s<sup>2</sup>.

# Vyhlasenie o zhode

## Vyhlasenie o zhode EÚ

My, spoločnosť **Husqvarna AB**, SE-561 82 Huskvarna, Švédsko, tel.: +46-36-146500, vyhlasujeme s plnou zodpovednosťou, že výrobok:

<b>Popis</b>	Krovinorez
<b>Značka</b>	Husqvarna
<b>Typ/model</b>	522HD60X, 522HDR60X, 522HDR75X
<b>Identifikácia</b>	Výrobné čísla od roku 2022 a novšie

plne spĺňa nasledujúce smernice a nariadenia EÚ:

<b>Nariadenie</b>	<b>Popis</b>
2006/42/ES	„o strojových zariadeniach“
2014/30/EÚ	„o elektromagnetickej kompatibilite“
2000/14/ES	„týkajúca sa emisie hluku v prostredí pochádzajúceho zo zariadení používaných vo voľnom priestranstve“
2011/65/EÚ	„o obmedzení používania určitých nebezpečných látok v elektrických a elektronických zariadeniach“

a že sa pri ňom uplatňujú nasledujúce normy a technické špecifikácie: EN ISO 12100:2021, CISPR 12: 2009, EN ISO 10517:2009/A1:2013, EN IEC 63000:2018.

Spoločnosť RISE SMP Svensk Maskinprovning AB, z poverenia spoločnosti Husqvarna AB vykonala dobrovoľnú typovú skúšku. Číslo certifikátu: SEC/18/2518.

Spoločnosť RISE SMP Svensk Maskinprovning AB, potvrdzuje súlad so smernicou Rady 2000/14/ES z 8. mája 2000 týkajúcou sa emisii hluku zo zariadení používaných vo voľnom priestranstve. Čísla certifikátov: 01/094/026 – 522HD60X, 01/094/027 – 522HDR60X, 522HDR75X.

Informácie týkajúce sa emisii hluku nájdete v časti *Technické údaje na strane 326*.

Huskvarna, 2022-05-09

Stefan Holmberg, riaditeľ výskumu a vývoja, oddelenie riadenia technológií, Husqvarna AB

Zodpovedný za technickú dokumentáciu



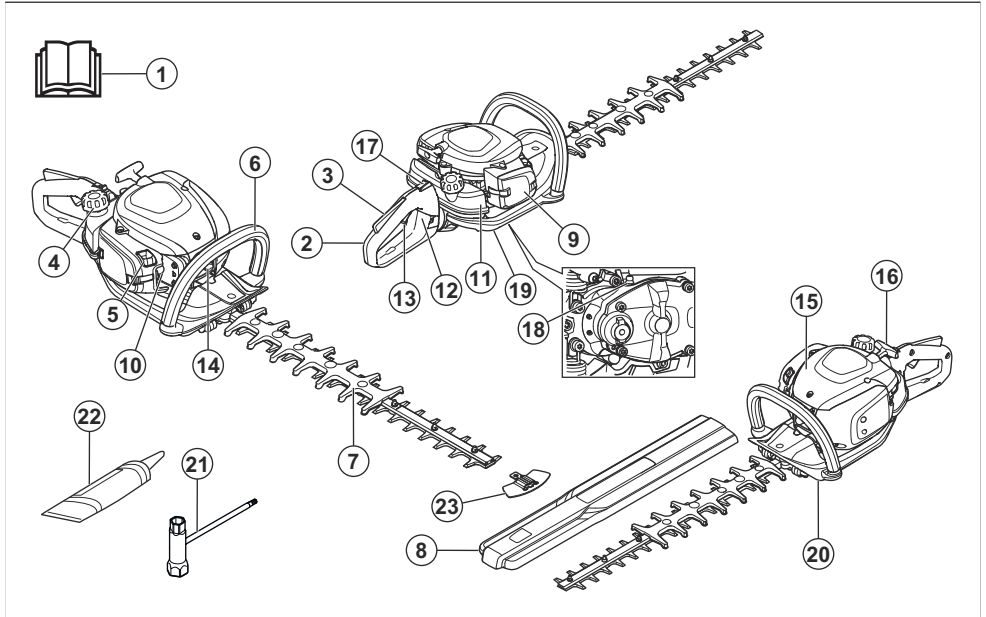


# VSEBINA

Uvod.....	329	Transport skladiščenje in odstranitev.....	340
Varnost.....	330	Tehnični podatki.....	340
Delovanje.....	335	Izjava o skladnosti.....	342
Vzdrževanje.....	337		

## Uvod

### Pregled izdelka



1. Navodila za uporabo
2. Zadnji ročaj
3. Zaklep ročice plina
4. Pokrovček rezervoarja za gorivo
5. Ročica čoka
6. Sprednji ročaj
7. Rezilo in ščitnik rezila
8. Transportna zaščita
9. Pokrov zračnega filtra
10. Membrana črpalke goriva
11. Posoda za gorivo
12. Zaklep ročice
13. Ročica plina
14. Kapica vžigalne svečke in vžigalna svečka
15. Pokrov valja
16. Ročica zaganjalne vrvice
17. Stikalo za izklop
18. Mazalno mesto za mast
19. Ohišje menjalnika
20. Ščitnik roke
21. Kombiniran ključ
22. Tuba z mastjo
23. Ščitnik konice rezila

### Opis izdelka

Izdelek je model obrezovalnika žive meje z motorjem z notranjim zgorevanjem.

### Namen uporabe

Izdelek uporabljajte za obrezovanje vej in vejic. Izdelka ne uporabljajte za druga opravila.

## Simboli na izdelku



Ustavitev.



Bodite previdni in uporabljajte izdelek pravilno. Ta izdelek lahko povzroči hude poškodbe oziroma smrt upravljavca ali drugih.



Pred začetkom uporabe izdelka natančno preberite navodila za uporabo in se prepričajte, da ste jih razumeli.



Uporabljajte odobreno zaščito za sluh in odobreno zaščito oči.



Uporabljajte odobrene zaščitne rokavice.



Uporabljajte trpežno obutev, ki ne drsi.

# T

Nastavitveni vijak za prosti tek.

# H

Igla visoke hitrosti.

# L

Igla nizke hitrosti.



Nivo emisije hrupa v okolje je skladen z Evropsko direktivo 2000/14/ES in zakonodaja Novega južnega Walesa, in sicer z direktivo "Zaščita okolja pri delu (nadzor hrupa) iz 2017". Podatke o emisijah hrupa najdete na oznaki stroja in v poglavju Tehnični podatki.

# CE

Izdelek je skladen z veljavnimi direktivami ES.

# UK CA

Izdelek je v skladu z veljavnimi direktivami ZK.

yyyywwxxxx

Na tipski ploščici je navedena serijska številka. **yyyy** je proizvodno leto in **ww** je proizvodni teden.

**Opomba:** Ostali simboli in oznake na izdelku se nanašajo na zahteve za certifikacijo, ki veljajo za nekatere trge.

## Stopnja emisij Euro V



**OPOZORILO:** Zaradi predelave motorja se razveljavi EU-homologacija tega izdelka.

## Varnost

### Varnostne definicije

Opozorila, svarila in opombe opozarjajo na posebej pomembne dele priročnika.



**OPOZORILO:** Se uporabi, če obstaja nevarnost telesne poškodbe ali smrti uporabnika ali opazovalcev ob neupoštevanju navodil v tem priročniku.



**POZOR:** Se uporabi, če obstaja nevarnost poškodbe izdelka, drugih materialov ali okolice ob neupoštevanju navodil v tem priročniku.

**Opomba:** Se uporabi za podajanje podrobnejših informacij, potrebnih v dani situaciji.

### Splošna varnostna navodila



**OPOZORILO:** Pred uporabo izdelka preberite navodila v povezavi z opozorili v nadaljevanju.

- Pri nepravilni ali malomarni uporabi izdelek postane nevarno orodje, ki lahko povzroči resne ali celo smrtne poškodbe. Zato je zelo pomembno, da natančno preberete in razumete navodila za uporabo.
- Izdelek med delovanjem ustvarja elektromagnetno polje. To polje lahko v nekaterih pogojih moti

- delovanje aktivnih ali pasivnih medicinskih vsadkov. Uporabnikom medicinskih vsadkov svetujemo, da se pred uporabo tega izdelka posvetujejo z zdravnikom ali proizvajalcem medicinskega vsadka, s čimer zmanjšajo nevarnost resnih ali smrtnih poškodb.
- Pri ljudeh, ki imajo težave s krvnim obtokom, lahko pretirana izpostavljenost tresljam povzroči poškodbe ožilja ali živčevja. Če opazite zmanjšano pretirano izpostavljenosti tresljam, se posvetujte z zdravnikom. Ti simptomi zajemajo otrplost, izgubo občutenja, ščemenje, zbadanje, bolečino, zmanjšano moč in spremembo barve ali stanja kože. Običajno se pojavijo v prstih, na rokah ali na zapestjih. Nevarnost sprememb je večja ob delu pri nizkih temperaturah.
  - V primeru dvoma, ali je nadaljnja uporaba še primerna, se posvetujte s strokovnjakom. Obrnite se na svojega zastopnika ali servisno delavnico. Izogibajte se situacijam, ki se vam zdijo prezahtevne.
  - Ne pozabite, da je uporabnik odgovoren za nesreče ali nevarnosti, ki jih povzroči drugim ljudem ali njihovi lastnini.
  - Izdelka ne dovolite uporabljati nikomur, dokler se ne prepričate, da je razumel vsebino navodil za uporabo
  - Otrokom nikoli ne dovolite, da uporabljajo izdelek ali da so zgolj v njegovi bližini. Ker je izdelek opremljen z vzmetnim stikalom za zaustavitev, ga lahko že z majhno hitrostjo in silo vključite, kar pomeni, da lahko tudi majhni otroci v določenih okoliščinah zaženejo izdelek. To lahko pomeni tveganje resne osebne poškodbe. Zato odstranite kapico svečke, ko izdelka ne morete nadzorovati.
  - Izdelek shranjujte izven dosega otrok.
  - Izdelka ne uporabljajte, če ste utrujeni, pod vplivom alkohola ali jemljete zdravila, ki lahko vplivajo na vid, presojo ali koordinacijo.
  - Ne uporabljajte pokvarjenega izdelka. Sledite navodilom za pregled, vzdrževanje in servis v skladu z napotki v teh navodilih. Nekatere vrste vzdrževalnih del in popravil lahko opravi samo za to usposobljeno strokovno osebje. Upoštevajte navodila v poglavju Vzdrževanje.
  - Nikoli ne uporabljajte izdelka, katerega prvotne specifikacije so bile na kakršen koli način spremenjene.
  - Opazujte okolico in se prepričajte, da ne obstaja nevarnost, da nobena oseba ali žival ne more priti v stik z rezalno opremo.
  - Preglejte delovno območje. Odstranite vse predmete, ki jih lahko izvzrže.
  - Vedno morate imeti varen in stabilen položaj za delo.
  - Izdelka z delujočim motorjem ne pustite brez nadzora.
  - Med delovanjem motorja vaše roke in noge ne smejo priti v bližino rezalne enote.
  - Če med delovanjem pride do ukleščenja med rezili, izklopote motor ter pred čiščenjem rezil počakajte, da se motor povsem zaustavi. Izključite visokonapetostni kabel iz svečke. Glejte razdelek *Pregledovanje rezil na strani 340*.
  - Ko je motor izključen, odmaknite roke in noge iz bližine rezalne enote, dokler se motor povsem ne zaustavi.
  - Pazite na kose in veje, ki jih lahko naprava izvzrže med obrezovanjem.
  - Bodite vedno pozorni na svarilne znake in klice, kadar uporabljate zaščito za sluh. Zaščito za sluh odstranite takoj, ko se motor zaustavi.
  - Orodja ne uporabljajte z lestve, stola ali drugega dvignjenega položaja, ki ni povsem varen.
  - Izdelek vedno držite z obema rokama. Izdelek držite pred telesom.
  - Če zadenete ob predmet ali se pojavijo tresljaji, izdelek nemudoma zaustavite. Izključite visokonapetostni kabel iz svečke. Prepričajte se, da izdelek ni poškodovan. Popravite poškodbe.
  - Za preprečevanje nevarnosti električnega udara se prepričajte, da pokrovček svečke in vžigalni kabel nista poškodovana.
  - Preverite ali so vsi vijaki in matice zatesnjeni.
  - Preverite, če je ohišje menjalnika pravilno namazano. Glejte razdelek *Mazanje ohišje menjalnika na strani 339*.
  - Med uporabo izdelka se ohišje menjalnika močno segreje. Da bi se izognili opeklinam se ne dotikajte ohišja naprave.
  - Pred zagonom morate namestiti vse pokrove in ščitnike.
  - Ko izdelka ne uporabljate, morate rezalno enoto zaščititi s transportno zaščito.

## Varnostna navodila za uporabo



**OPOZORILO:** Pred uporabo izdelka preberite navodila v povezavi z opozorili v nadaljevanju.

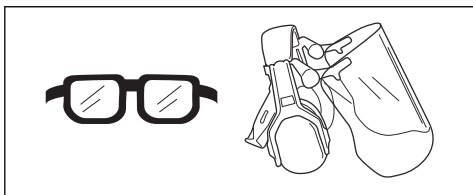
- Izdelka nikoli ne uporabljajte v izrednih vremenskih pogojih, kot so izredno mrzli, izredno vroči in/ali vlažni pogoji.
- Pokvarjena rezila lahko povečajo nevarnost nesreč.
- Poskrbite, da se vam med delom nihče ne približa na razdaljo manjšo od 15 metrov/50 čevljev.



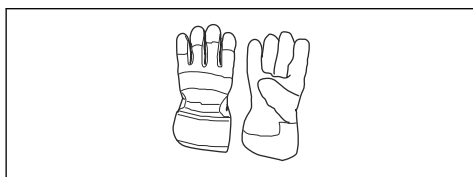
**OPOZORILO:** Pred uporabo izdelka preberite navodila v povezavi z opozorili v nadaljevanju.

- Pri uporabi izdelka vedno uporabljajte odobreno osebno zaščitno opremo. Osebna zaščitna oprema ne more popolnoma preprečiti poškodb, vendar v primeru nesreče omili posledice. Prodajalec naj vam pomaga izbrati ustrezno opremo.

- Nosite homologirano zaščito za sluh, ki ustrezno zmanjšuje hrup. Dolgotrajna izpostavljenost hrupu lahko povzroči trajne okvare sluha.
- Uporabljajte odobreno zaščito oči. Tudi če uporabljate vizir, morate vedno uporabljati tudi homologirana zaščitna očala. Homologirana zaščitna očala morajo biti skladna s standardom ANSI Z87.1 za ZDA ali s standardom EN 166 za države EU.



- Po potrebi uporabite rokavice, npr. kadar pritrjujete, pregledujete ali čistite rezalno opremo.



- Uporabite vzdržljive škornje ali cevlje, ki ne drsijo.



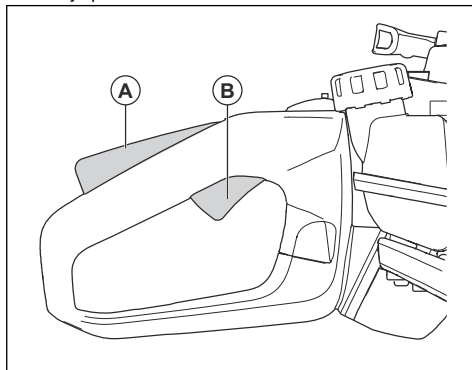
- Uporabljajte oblačila iz trpežnih materialov. Vedno uporabljajte trpežne dolge hlače in dolge rokave. Ne uporabljajte ohlapnih oblačil, ki se lahko zataknejo za vejice ali veje. Ne nosite nakita, kratkih hlač in sandalov in ne hodite bosí. Lase si varno spnite nad rameni.
- Paket prve pomoči hranite na doseg roke.



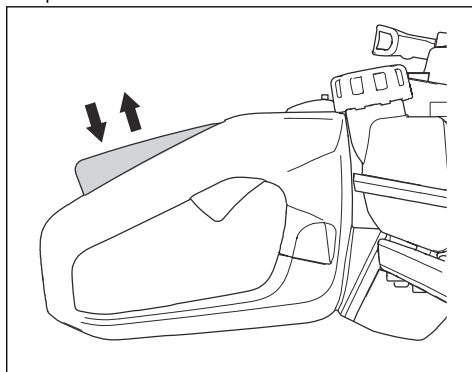
- Ne uporabljajte izdelka s poškodovanimi varnostnimi napravami.
- Redno preverjajte varnostne naprave. Če so varnostne naprave poškodovane, se obrnite na pooblaščen servisno delavnico Husqvarna.

### Preverjanje delovanja zaklepa ročice plina

1. Prepričajte se, da se zaklep ročica plina (A) in ročica plina (B) premikata neovirano ter da povratna vzmet deluje pravilno.



2. Potisnite zaklep ročice plina navzdol in se prepričajte, da se vrne v začetni položaj, ko ga sprostite.

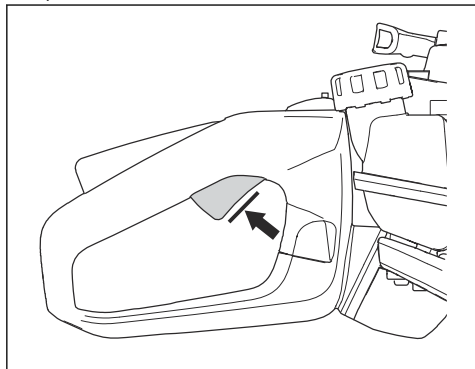


### Varnostne naprave na izdelku



**OPOZORILO:** Pred uporabo izdelka preberite navodila v povezavi z opozorili v nadaljevanju.

3. Prepričajte se, da je ročica plina zaklenjena v položaju prostega teka, ko je zaklep ročice plina sproščen.



4. Zaženite izdelek in pritisnite polni plin.
5. Sprostite ročico plina in se prepričajte, da se rezilo ustavi in miruje.



**OPOZORILO:** Če se rezilo premika, ko je ročica plina v prostem teku, je potrebno nastaviti hitrost prostega teka uplinjača. Glejte razdelek *Prilagajanje hitrosti prostega teka na strani 338*.

#### Preverjanje izklopnega stikala

1. Zagon motorja.
2. Izklopno stikalo potisnite v položaj za izklop in se prepričajte, da se je motor izklopil.



**OPOZORILO:** Stikalo za izklop se samodejno vrne v položaj za zagon. Pri sestavljanju ali vzdrževanju izdelka za preprečevanje neželene zagona odstranite pokrov s svečke.

#### Preverjanje ščitnika roke

Ščitnik roke preprečuje poškodbe zaradi rezili.

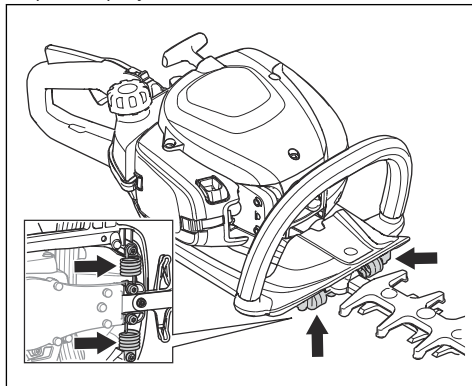
1. Izklopite motor.
2. Prepričajte se, da je ščitnik roke pravilno nameščen.
3. Preglejte, ali je ščitnik rok poškodovan.

#### Preverjanje sistema za dušenje treslajev

Sistem za dušenje treslajev zmanjša treslajne ročaje. Elementi za blaženje treslajev delujejo kot pregrada med ohišjem izdelka in ročajem.

1. Vizualno preverite, da ni prisotnih deformacij in poškodb.

2. Prepričajte se, da so elementi za blaženje treslajev pravilno pritrjeni.



#### Preverjanje dušilnika



**OPOZORILO:** Izdelka ne uporabljajte brez dušilnika ali s poškodovanim dušilnikom. Poškodovan dušilnik lahko zviša raven hrupa in poveča nevarnost požara. Izdelka ne uporabljajte brez ali s poškodovanim lovilnikom isker. Poškodovan lovilnik isker je treba zamenjati.



**OPOZORILO:** Dušilniki med in po delovanju postanejo zelo vroči, tudi pri hitrosti prostega teka.



**POZOR:** Če je lovilnik isker pogosto zamašen, je to lahko znak, da je delovanje katalizatorja poslabšano. Dušilnik naj pregleda servisni zastopnik. Zamašena mrežica lovilnika isker povzroča pregrevanje, kar povzroči poškodbe valja in bata.

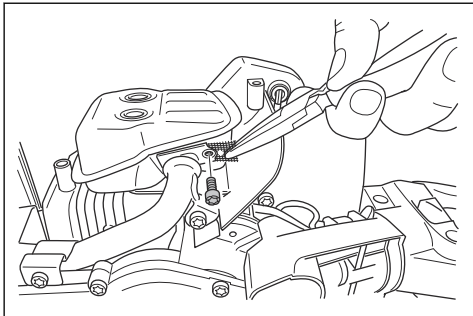


**OPOZORILO:** Notranje površine dušilnika vsebujejo kemikalije, ki lahko povzročajo raka. Pazite, da se ne dotikate teh elementov, če je dušilnik poškodovan.

Dušilnik zmanjšuje raven hrupa na najnižjo možno raven in usmerja izpušne pline stran od uporabnika. Dušilnik s katalizatorjem zmanjšuje škodljive izpušne pline.

1. Izklopite motor.
2. Vizualno preverite, da ni prisotnih poškodb in deformacij.
3. Poskrbite, da je dušilnik pravilno nameščen na izdelek.

#### 4. Lovilnik isker očistite z žično ščetko.



#### Pregled rezil in ščitnika rezila

Zunanji deli rezil delujejo kot ščitnik rezila. Ščitnik rezila ščiti pred urezninami.

1. Zaustavite stroj in se prepričajte, da so se rezila ustavila.
2. Pokrov svečke odstranite s svečke.
3. Nadenite si zaščitne rokavice.
4. Prepričajte se, da rezilo in ščitnik rezila nista poškodovana ali ukrivljena. Vedno zamenjajte poškodovano ali zvito rezilo ali poškodovan ščitnik rezila.
5. Prepričajte se, da so vijaki in ščitnik rezila priviti.

#### Varnost pri delu z gorivom



**OPOZORILO:** Pred uporabo izdelka preberite navodila v povezavi z opozorili v nadaljevanju.

- Če so na izdelku ostanki goriva ali motornega olja, izdelka ne zaganjajte. Očistite ostanke goriva/olja in počakajte, da se izdelek posuši.
- Če se z gorivom polijete po obleki, se nemudoma preoblecite.
- Pazite, da goriva ne polijete po telesu, saj lahko pride do poškodb. Če gorivo polijete po telesu, se očistite z milom in vodo.
- Če motor pušča, izdelka ne zaganjajte. Redno preverjajte, ali motor pušča.
- Z gorivom ravnajte previdno. Gorivo je vnetljivo, hlapi pa so eksplozivni, zato lahko pride do poškodb ali smrti.
- Ne vdihavajte hlapov goriva, saj lahko pride do poškodb. Zagotovite zadosten pretok zraka.
- V bližini goriva ali motorja ne kadite.

- Vročih predmetov ne postavljajte v bližino goriva ali motorja.
- Goriva ne dolivajte, ko je motor vklopljen.
- Pred dolivanjem goriva se prepričajte, da je motor ohlajen.
- Pred dolivanjem počasi odprite pokrovček posode za gorivo in previdno sprostite pritisk.
- Goriva ne dolivajte v zaprtih prostorih. Nezaposten pretok zraka lahko povzroči poškodbe ali smrt zaradi zadušitve ali zastrupitve z ogljikovim monoksidom.
- Skrbno privijte pokrovček posode za gorivo. Če pokrovček posode za gorivo ni dobro zatesnjen, obstaja nevarnost požara.
- Preden izdelek vklopite, ga premaknite najmanj 3 m/10 čevljev stran od mesta, kjer ste napolnili posodo za gorivo.
- Rezervoar za gorivo ne napolnite do konca. Gorivo se razširi zaradi vročine. Pustite prazen prostor na vrhu rezervoarja za gorivo.

#### Varnostna navodila za vzdrževanje



**OPOZORILO:** Pred uporabo izdelka preberite navodila v povezavi z opozorili v nadaljevanju.

- Zaustavite stroj in se prepričajte, da se je rezalna oprema ustavila. Pred izvajanjem vzdrževalnih del se mora izdelek ohladiti.
- Pred vzdrževalnimi deli odklopite pokrov svečke.
- Izpušni plini iz motorja vsebujejo ogljikov monoksid, strupen in zelo nevaren plin brez vonja, ki lahko povzroči smrt. Izdelka ne zaganjajte v zaprtih prostorih.
- Izpušni plini iz motorja so vroči in lahko vsebujejo iskre. Izdelka nikoli ne zaganjajte v zaprtih prostorih ali v bližini vnetljivih materialov.
- Dodatki in spremembe izdelka, ki niso odobrene s strani proizvajalca, lahko vodijo k resnim poškodbam ali celo v smrt. Ne spreminjajte izdelka. Uporabljajte samo originalno dodatno opremo.
- Če izdelka ne vzdržujete pravilno in redno, se poveča nevarnost poškodb za osebe in izdelek.
- Vzdrževanje opravite v skladu s priporočili v teh navodilih za uporabo. Vsakršno drugačno vzdrževanje naj opravi Husqvarna osebje pooblašene servisne delavnice.
- Redno dovolite osebju pooblašene servisne delavnice Husqvarnaizvajati vzdrževalna dela.
- Zamenjajte poškodovane, obrabljene ali zlomljene dele.

# Delovanje

## Uvod



**OPOZORILO:** Preden začnete uporabljati izdelek, morate prebrati in razumeti poglavje o varnosti.

## Gorivo

Ta izdelek ima dvotaktni motor.



**POZOR:** Če uporabite neustrezno vrsto goriva, lahko poškodujete motor. Uporabite mešanico bencina in olja za dvotaktne motorje.

## Predhodno zmešano gorivo

- Za najboljše delovanje in daljšo življenjsko dobo motorja uporabljajte vnaprej pripravljeno mešanico goriva z alkilatom Husqvarna. V gorivu je manj škodljivih kemikalij v primerjavi z običajnim gorivom, kar zmanjšuje količino škodljivih izpušnih plinov. Po zgorevanju tega goriva je količina ostankov manjša, zaradi česar so deli motorja čistejši.

## Mešanje goriva

### Bencin

- Uporabljajte kakovosten neosvinčen bencin z največ 10-% vsebnostjo etanola.



**POZOR:** Ne uporabljajte bencina, ki ima oktansko število nižje od 90 RON/87 AKI. Uporaba nižjega oktanskega števila lahko povzroči klenkanje, kar povzroča poškodbe motorja.

### Olje za dvotaktne motorje

- Za čim boljše rezultate in zmogljivost uporabite olje za dvotaktne motorje Husqvarna.
- Če olje za dvotaktne motorje Husqvarna ni na voljo, lahko uporabite kakovostno olje za dvotaktne motorje z zračnim hlajenjem. Za izbiro ustreznega olja se obrnite na servisnega zastopnika.



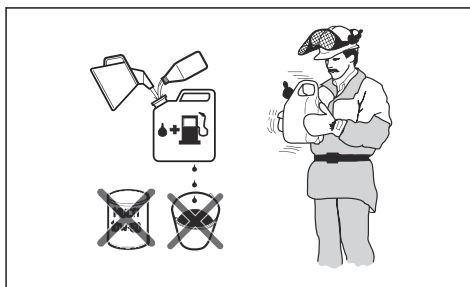
**POZOR:** Ne uporabljajte olja za vodno hlajene izvenkrmne dvotaktne motorje. Ne uporabljajte olja za štiritaktne motorje.

## Mešanica bencina in olja za dvotaktne motorje

Bencin, liter	Olje za dvotaktne motorje, liter
	<b>2 % (50 : 1)</b>
5	0,10
10	0,20
15	0,30
20	0,40



**POZOR:** Pri mešanju manjših količin goriva lahko manjša odstopanja močneje vplivajo na razmerje mešanice. Natančno izmerite količino olja in tako ustvarite pravilno mešanico.



1. Dolijte polovico bencina v čisto posodo za gorivo.
2. Dodajte celotno količino olja.
3. Pretresite mešanico goriva.
4. V posodo dodajte še preostalo količino bencina.
5. Temeljito pretresite mešanico goriva.



**POZOR:** Naenkrat ne pripravite mešanice goriva za več kot en mesec.

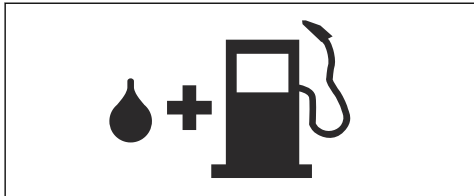
## Polnjenje posode za gorivo



**OPOZORILO:** Za lastno varnost upoštevajte postopek v nadaljevanju.

1. Zaustavite motor in pustite, da se ohladi.

2. Očistite področje okrog pokrova posode za gorivo.



3. Pretresite posodo in tako poskrbite za ustrezno mešanje goriva.
4. Odstranite pokrovček posode za gorivo, da sprostite pritisk.
5. Napolnite posodo za gorivo.



**POZOR:** Prepričajte se, da v posodi za gorivo ni preveč goriva. Gorivo ima pri višjih temperaturah večjo prostornino.

6. Zategnite pokrovček posode za gorivo.
7. Na izdelku in okoli njega očistite razlito gorivo.
8. Izdelek pred zagonom za vsaj 3 m (10 čevljev) odmaknite od mesta, kjer ste točili gorivo, in od vira goriva.

**Opomba:** Za mesto rezervoarja za gorivo na vašem izdelku glejte *Pregled izdelka na strani 329*.

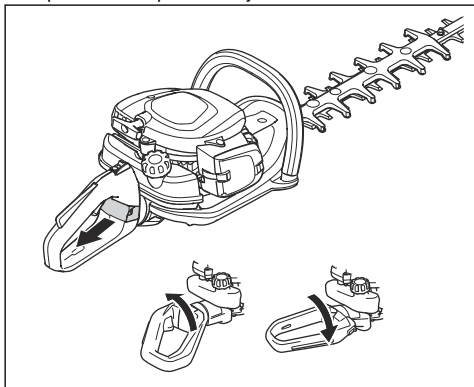
## Za namestitev ščitnika konice rezila

1. Odstranite matico in vijak na konici rezila.
2. Namestite ščitnik konice rezila na konico rezila.
3. Namestite vijak in privijte z 7 Nm.
4. Namestite matico in privijte s 5 Nm.

## Nastavitev ročaja

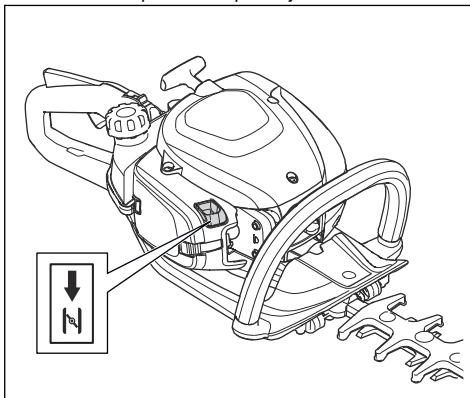
Zadnji ročaja je mogoče nastaviti v 3 položaje.

- Sprostite zaklep ročice in jo obrnite.



## Zagon izdelka s hladnim motorjem

1. Ročico čoka povlecite v položaj za čok.



2. Približno 6-krat pritisnite membrano črpalke goriva, dokler se membrana ne začne polniti z gorivom. Membrane črpalke za gorivo ni treba povsem napolniti.
3. Z levo roko pritisnite ohišje izdelka ob tla. Ne stopajte na izdelek.
4. Počasi z desno roko povlecite ročico zaganjalne vrvice, dokler ne začutite nekoliko upora, nato ročico zaganjalne vrvice hitro in močno povlecite.



**OPOZORILO:** Zaganjalne vrvice ne navijajte okoli svoje roke.



**POZOR:** Zaganjalne vrvice nikoli ne izvlecite do konca in ne izpustite ročice zaganjalne vrvice.

5. Ročico zaganjalne vrvi vlecite dokler motorja ne zaženete, nato pa ročico čoka potisnite v izhodiščni položaj.



**OPOZORILO:** Ob zagonu motorja se rezilo vrti.

6. Ročico zaganjalne vrvice vlecite, dokler ne se motor ne zažene.
7. Pritisnite in sprostite ročico plina za preklon motorja v prosti tek.
8. Ročico plina postopoma pritiskajte, da povečate število vrtljajev motorja.
9. Prepričajte se, da motor gladko deluje.

## Zagon izdelka s toplim motorjem

1. Z levo roko pritisnite ohišje izdelka ob tla. Ne stopajte na izdelek.



- Počasi z desno roko povlecite ročico zaganjalne vrvice, dokler ne začutite nekoliko upora, nato ročico zaganjalne vrvice hitro in močno povlecite. Ponavljajte, dokler ne zaženete motorja.



**OPOZORILO:** Pazite, da se s sprednjim delom rezalne opreme ne dotaknete tal.

**Opomba:** Za dodatne informacije o načinu zagona motorja glejte *Zagon izdelka s hladnim motorjem na strani 336*.

- Nastavite hitrost, ki bo ustrezala zahtevnosti dela.
- Za stabilni delovni položaj izdelek držite ob telesu.
- Bodite previdni in delajte počasi z izdelkom.

## Izklop izdelka

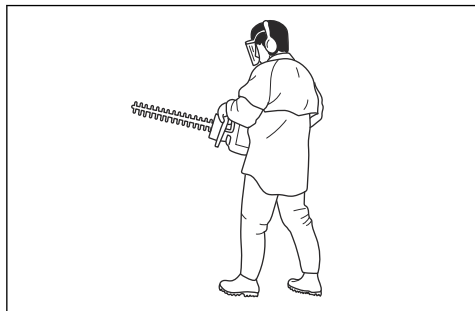
- Motor izklopite tako, da stikalo za zaustavitev premaknete v položaj za zaustavitev.



**POZOR:** Stikalo za izklop se samodejno vrne v delovni položaj.

## Uporaba izdelka

- Ko obrezujete strani žive meje, začnite pri tleh in izdelek premikajte navzgor. Pazite, da se s telesom izdelka ne dotaknete obrezovalnika.



## Vzdrževanje

### Uvod



**OPOZORILO:** Pred izvajanjem vzdrževalnih del na izdelku morate prebrati in razumeti poglavje o varnosti.

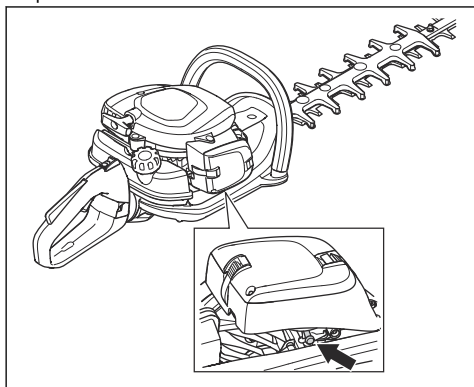
### Urnik vzdrževanja

Vzdrževanje	Pred uporabo	Po 40 urah	Po 100 urah
Očistite zunanjo površino.		Po vsaki uporabi.	
Očistite listje, umazanijo in neželjeno mazivo iz dušilnika, izpušne cevi in motorja.		Po vsaki uporabi.	
Prepričajte se, da se rezalni priključek ne premika s hitrostjo prostega teka.	X		
Preverite izklopno stikalo.	X		

Vzdrževanje	Pred uporabo	Po 40 urah	Po 100 urah
Preverite, ali sta rezalni priključek in ščitnik rezalnega priključka poškodovana ali razpokana. V primeru poškodb, zamenjajte.	X		
Preverite, ali je ščitnik rok poškodovan ali razpokan. V primeru poškodb, zamenjajte.	X		
Preverite zaklep ročice plina in ročico plina.	X		
Preglejte, ali iz motorja, posode ali cevi za gorivo izteka gorivo.	X		
Privijte matice in vijake.	X		
Preverite, ali je filter goriva onesnažen ter ali ima cev goriva razpoke ali druge okvare. Po potrebi zamenjajte.	X		
Preverite, ali sta zaganjalnik in zaganjalna vrstica poškodovana.		X	
Očistite zračni filter. Po potrebi jih zamenjajte.		X	
Preverite, ali so elementi za blaženje tresljajev poškodovani ali razpokani.		X	
Preglejte svečko, glejte <i>Pregled svečke na strani 339</i> .		X	
Očistite hladilni sistem.		X	
Očistite zunanjo površino uplinjalnika in območje okrog njega.		X	
Očistite ali zamenjajte lovilnik isker.			X
Očistite notranje površine rezervoarja za gorivo.			X
Preglejte svečko.			X
Prepričajte se, da je ohišje menjalnika napolnjeno z mastjo.			X

## Prilaganje hitrosti prostega teka

- Očistite zračni filter in namestite pokrov zračnega filtra.
- Zaženite izdelek, glejte *Zagon izdelka s hladnim motorjem na strani 336*.
- Nastavitveni vijak T obračajte v smeri vrtenja urinih kazalcev, dokler se rezalni priključek ne začne premikati.



- Vijak za prilaganje obračajte v nasprotni smeri vrtenja urinih kazalcev, dokler se rezalni priključek ne ustavi.



**OPOZORILO:** Če se rezalni priključek po spremembi hitrosti v prostem teku ne zaustavi, se obrnite na najbližji servisnega zastopnika. Izdelka ne uporabljajte, dokler ni pravilno nastavljen ali popravljen.

**Opomba:** Hitrost prostega teka je nastavljena pravilno, ko motor deluje enakomerno v vsakem položaju. Za priporočeno hitrost v prostem teku glejte *Tehnični podatki na strani 340*.

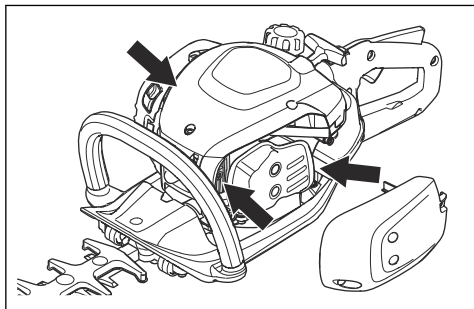
## Čiščenje hladilnega sistema

Hladilni sistem ohranja nizko temperaturo motorja. Hladilni sistem vključuje hladilna rebra na valju, ohišje zaganjača.



**POZOR:** Listje lahko hitro zamaši odprtino za dovod zraka med posodo za gorivo in okrovom ročične gredi. Odprtino za dovod zraka očistite v celoti.

1. Hladilni sistem očistite s krtačo enkrat tedensko ali po potrebi pogosteje.
2. Prepričajte se, da hladilni sistem ni umazan ali zamašen.

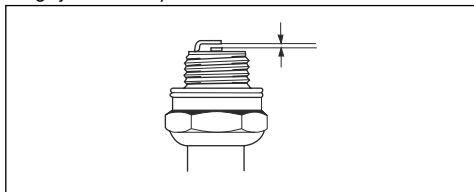


## Pregled svečke



**POZOR:** Vedno uporabljajte priporočeno vrsto svečke. Zaradi neustrezne vrste vžigalne svečke se izdelek lahko poškoduje.

- Če se moč motorja zmanjša, motorja ni mogoče enostavno zagnati ali ta ne deluje ustrezno v prostem teku, preglejte vžigalno svečko.
- Tveganje za pojav oblog na elektrodah vžigalne svečke lahko zmanjšate tako, da upoštevate ta navodila:
  - a) Hitrost prostega teka mora biti pravilno nastavljena.
  - b) Mešanica goriva mora biti ustrezna.
  - c) Zračni filter mora biti čist.
- Če je vžigalna svečka umazana, jo očistite in zagotovite, da je razmak med elektrodama ustrezen; glejte *Tehnični podatki na strani 340*.



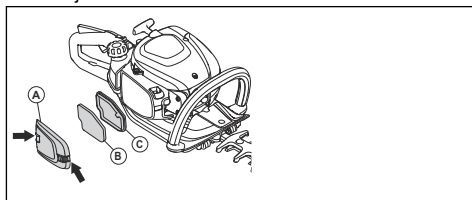
- Vžigalno svečko po potrebi zamenjajte.

## Čiščenje zračnega filtra

Z zračnega filtra redno odstranjujte umazanijo in prah. S tem preprečite okvare uplinjača, težave pri zagonu, izgubo moči motorja, obrabo delov motorja in večjo porabo goriva od običajne.

1. Odstranite pokrov zračnega filtra (A).

2. Odstranite penasti filter (B) in filter iz filca (C) z okvirja filtra.



3. Zamenjajte filter iz filca (C).
4. Penasti filter (B) očistite s toplo milnico.

**Opomba:** Zračnega filtra, ki je bil dolgo v uporabi, ni mogoče popolnoma očistiti. Redno menjajte zračni filter in vedno zamenjajte poškodovan zračni filter.

5. Prepričajte se, da je penasti filter (B) suh.
6. Na penasti filter (B) nanesite olje za zračni filter. Glejte *Nanos olja na zračni filter na strani 339*
7. Očistite notranjo površino pokrova zračnega filtra (A). Uporabite stisnjen zrak ali krtačko.

## Nanos olja na zračni filter

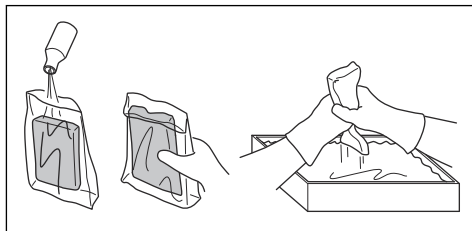


**POZOR:** Vedno uporabite Husqvarna posebno olje za zračni filter. Ne uporabljajte drugih vrst olja.



**OPOZORILO:** Nadenite si zaščitne rokavice. Olje za zračne filtre olja lahko povzroči draženje kože.

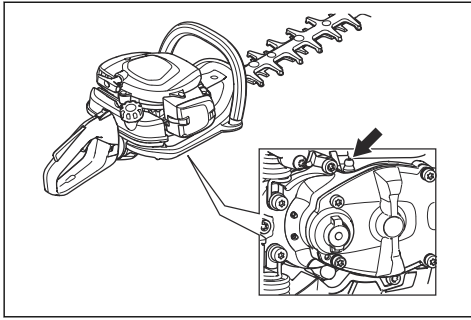
1. Zračni filter vstavite v plastično vrečko.
2. V plastično vrečko vlijte olje.
3. Drgnite plastično vrečko, da se olje enakomerno razporedi po celotnem zračnem filtru.
4. Odvečno olje v plastični vrečki potisnite iz zračnega filtra.



## Mazanje ohišje menjalnika

- Uporabite posebno mast Husqvarna. Če potrebujete več informacij o priporočeni masti, se obrnite na servisnega zastopnika.

- Mast dodajte prek mazalnega mesta.



**POZOR:** Ohišja menjalnika ne napolnite do konca.

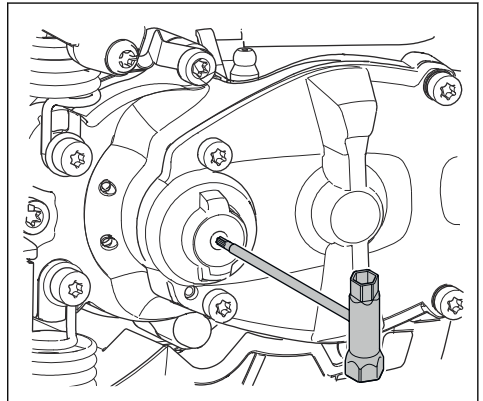
## Čiščenje in mazanje rezila

1. Odstranite neželene materiale z rezila pred in po uporabi izdelka.
2. Pred daljšim skladiščenjem rezila namažite.

**Opomba:** Če potrebujete več informacij o priporočenih čistilih in mazivih, se obrnite na servisnega zastopnika.

## Pregledovanje rezil

1. Odstranite pokrov na ohišju menjalnika.
2. Prepričajte se, da se rezila nemoteno vrtijo. Kombiniran ključ vstavite v ohišje menjalnika ter ga obrnite v smeri urinega kazalca in v nasprotni smeri urinega kazalca.



3. Preglejte, ali so robovi rezila poškodovani in deformirani.
4. S pilo odstranite ostanke z rezila.

## Transport skladiščenje in odstranitev

### Prevoz in skladiščenje

- Pred vsakim shranjevanjem se mora izdelek ohladiti.
- Preden prevažate in skladiščite izdelek in gorivo, se prepričajte, da izdelek ne pušča in da ni hlapov. Iskre ali odprti plamen, npr. z električnih naprav ali kotlov, lahko zanetijo ogenj.
- Za prevoz in skladiščenje goriva vedno uporabite odobrene posode.
- Pred transportom ali dolgotrajnim skladiščenjem izpraznite posodo za gorivo. Gorivo zavržite na temu primernem zbirnem mestu.

- Med prevozom in skladiščenjem namestite transportno zaščito.
- Pokrov svečke odstranite s svečke.
- Med prevozom pritrдите izdelek. Prepričajte se, da se ne more prestaviti.
- Pred dolgotrajnim skladiščenjem očistite izdelek in na njem opravite servis.

## Tehnični podatki

### Tehnični podatki

	522HD60X	522HDR60X	522HDR75X
<b>Motor</b>			
Gibna prostornina valja v cm <sup>3</sup>	21,7	21,7	21,7
Hitrost prostega teka, vrt/min	3000	3000	3000

	522HD60X	522HDR60X	522HDR75X
Priporočeno najvišje število vrtljajev, vrt/min	9200	9200	9200
Največja izhodna moč motorja, v skladu z ISO 8893, kW/KM pri vrt/min	0,6/0,8 pri 7800	0,6/0,8 pri 7800	0,6/0,8 pri 7800
Dušilnik z katalizatorjem	Da	Da	Da
<b>Vžigalni sistem</b>			
Vžigalna svečka	NGK CMR6A	NGK CMR6A	NGK CMR6A
Razmik elektrod, mm	0,5	0,5	0,5
<b>Pogonsko gorivo</b>			
Kapaciteta rezervoarja goriva v l/cm <sup>3</sup>	0,45/450	0,45/450	0,45/450
<b>Teža</b>			
brez goriva, kg	4,9	5,0	5,2
<b>Emisije hrupa</b> <sup>67</sup>			
Raven zvočne moči, izmerjena v dB (A)	101	101	101
Raven zvočne moči, zajamčena L <sub>WA</sub> v dB(A)	102	102	102
<b>Nivoji hrupa</b> <sup>68</sup>			
Ekvivalentna raven zvočnega tlaka na uporabnikovem ušesu, merjena po EN ISO 10517, dB (A)	93	93	93
<b>Ravni vibracij</b> <sup>69</sup>			
Ekvivalentne ravni vibracij (a <sub>nv,eq</sub> ) v ročajih, izmerjene v skladu z EN ISO 10517, m/s <sup>2</sup>			
Spredaj/zadaj, mm/s <sup>2</sup>	2,7/1,2	1,3/2,8	2,1/2,2
<b>Rezila</b>			
Vrsta	Dvostransko	Dvostransko	Dvostransko
Rezalna dolžina, mm	600	600	750
Hitrost rezanja, rezov/min	4400	3200	3200

<sup>67</sup> Emisije hrupa v okolje, merjene kot moč zvoka (L<sub>WA</sub>), v skladu z direktivo ES 2000/14/ES. Navedena raven zvočne moči izdelka je bila izmerjena z originalnim rezalnim priključkom, ki dosega najvišjo raven. Razlika med zajamčeno in izmerjeno ravno zvočne moči je v tem, da zajamčena raven zvočne moči, v skladu z direktivo 2000/14/ES, vključuje tudi razpršitev izmerjenih vrednosti in razlike med različnimi izdelki istega modela.

<sup>68</sup> Zabeleženi podatki za nivo zvočnega tlaka imajo tipično statistično razpršitev (standardni odklon) 1 dB(A).

<sup>69</sup> Zabeleženi podatki za raven vibracij imajo tipično statistično razpršitev (standardni odklon) 1 m/s<sup>2</sup>.

# Izjava o skladnosti

## Izjava EU o skladnosti

Mi, **Husqvarna AB**, SE--561 82 Huskvarna, Švedska,  
tel.: +46-36-146500, izjavljamo na lastno odgovornost,  
da je izdelek:

<b>Opis</b>	Obrezovalnik žive meje
<b>Znamka</b>	Husqvarna
<b>Vrsta/model</b>	522HD60X, 522HDR60X, 522HDR75X
<b>Identifikacija</b>	Serijske številke od letnika 2022 dalje

v celoti skladen z naslednjimi direktivami in uredbami  
EU:

<b>Uredba</b>	<b>Opis</b>
2006/42/ES	"o strojih"
2014/30/EU	"o elektromagnetni združljivosti"
2000/14/EC	"o emisijah hrupa v okolico"
2011/65/EU	"o omejevanju uporabe nekaterih nevarnih snovi v električni in elektronski opremi"

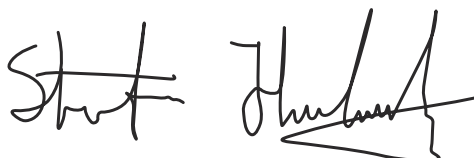
in so pri tem v veljavi naslednji standardi in/ali tehnične  
specifikacije: EN ISO 12100:2021, CISPR 12: 2009, EN  
ISO 10517:2009/A1:2013, EN IEC 63000:2018.

RISE SMP Svensk Maskinprovning AB, je v imenu  
Husqvarna AB prostovoljno opravil tipski pregled.  
Številka potrdila: SEC/18/2518.

RISE SMP Svensk Maskinprovning AB je potrdilo  
skladnost z Direktivo Sveta 2000/14/ES z dne  
8. maja 2000, "ki se nanaša na emisije hrupa  
v okolje". Številke potrdila: 01/094/026-522HD60X,  
01/094/027-522HDR60X, 522HDR75X.

Za informacije v zvezi z emisijami hrupa glejte poglavje  
*Tehnični podatki na strani 340.*

Huskvarna, 2022-05-09



Stefan Holmberg, direktor oddelka za raziskave in  
razvoj, tehnološko upravljanje, Husqvarna AB

Odgovorni za tehnično dokumentacijo

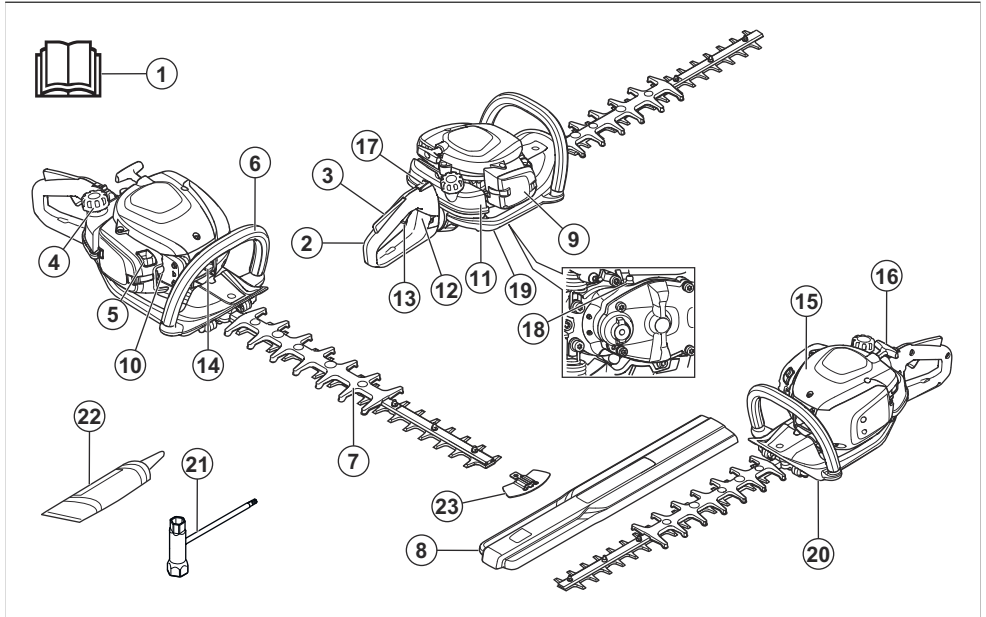


## Innehåll

Introduktion.....	343	Transport, förvaring och kassering.....	354
Säkerhet.....	344	Tekniska data.....	354
Drift.....	348	Försäkran om överensstämmelse.....	356
Underhåll.....	351		

## Introduktion

### Produktöversikt



1. Bruksanvisning
2. Bakre handtag
3. Dödmansgrepp
4. Bränsletankslock
5. Chokereglage
6. Främre handtag
7. Kniv och klingskydd
8. Transportskydd
9. Luftfilterlock
10. Bränslepumpblåsa
11. Bränsletank
12. Lås för handtag
13. Gasreglage
14. Tändhatt och tändstift
15. Cylinderkäpa
16. Startsnörets handtag
17. Stoppkontakt
18. Smörjnippel
19. Växelhus
20. Handskydd
21. Kombinyckel
22. Fettbehållare
23. Knivspetskydd

### Produktbeskrivning

Produkten är en häcksax med förbränningsmotor.

### Avsedd användning

Använd produkten för att klippa grenar och kvistar.  
Använd inte produkten till annat.

## Symboler på produkten



Stopp.



Var försiktig och använd produkten på rätt sätt. Den här produkten kan orsaka allvarlig eller livshotande skada för användaren och andra.



Läs igenom bruksanvisningen noggrant och se till att du förstår instruktionerna innan användning.



Använd godkända hörselskydd och godkända ögonskydd.



Använd godkända skyddshandskar.



Använd kraftiga halksäkra kängor.

T

Justerskruv för tomgång.

H

Högvarvsnål.

L

Lågvarvsnål.



Emission av buller i miljön enligt EU-direktiv 2000/14/EC och New South Wales "Protection of the Environment Operations (Noise Control) Regulation 2017". Information om bulleremission finns på maskinens etikett och i avsnittet Tekniska data.

CE

Produkten överensstämmer med gällande EG-direktiv.

UK  
CA

Produkten överensstämmer med gällande brittiska direktiv.

yyyywwxxxx

Typskylten visar serienumret. **yyyy** är produktionsåret och **ww** är produktionsveckan.

**Notera:** Övriga symboler/etiketter på produkten avser specifika krav för certifieringar på vissa marknader.

## Euro V-utsläpp



**WARNING:** Manipulering av motorn upphäver EG-typgodkännandet för den här produkten.

## Säkerhet

### Säkerhetsdefinitioner

Varningar, försiktighetsåtgärder och anmärkningar används för att betona speciellt viktiga delar i bruksanvisningen.



**WARNING:** Används om det finns risk för skador eller dödsfall för användaren eller kringstående om anvisningarna i bruksanvisningen inte följs.



**OBSERVERA:** Används om det finns risk för skada på produkten, annat material eller det angränsande området om anvisningarna i bruksanvisningen inte följs.

**Notera:** Används för att ge mer information som är nödvändig i en viss situation.

### Allmänna säkerhetsanvisningar



**WARNING:** Läs varningsinstruktionerna nedan innan du använder produkten.

- Om du använder produkten på ett felaktigt eller slarvigt sätt kan den bli till ett farligt redskap som kan orsaka allvarliga eller livshotande skador. Det är mycket viktigt att du läser och förstår innehållet i denna bruksanvisning.
- Denna produkt alstrar ett elektromagnetiskt fält under drift. Detta fält kan under vissa



omständigheter ge påverkan på aktiva eller passiva medicinska implantat. För att reducera risken för omständigheter som kan leda till allvarliga eller livshotande skador rekommenderar vi därför personer med implantat att rådgöra med läkare samt tillverkaren av det medicinska implantatet innan denna maskin används.

- Överexponering av vibrationer kan leda till blodkärls- eller nervskador hos personer som har blodcirkulationsstörningar. Uppsök läkare om ni upplever kroppsliga symptom som kan relateras till överexponering av vibrationer. Exempel på sådana symptom är domningar, avsaknad av känsel, "kittlingar", "stickningar", smärta, avsaknad eller reducering av normal styrka, förändringar i hudens färg eller dess tillstånd. Dessa symptom uppträder vanligtvis i fingrar, händer eller handleder. Riskerna kan öka vid låga temperaturer.
- När du råkar ut för en situation som gör dig osäker angående fortsatt användning ska du rådfråga en expert. Kontakta din återförsäljare eller serviceverkstad. Undvik all användning du anser dig otillräckligt kvalificerad för.
- Tänk på att användaren ansvarar för olyckor eller faror för andra människor eller deras egendom.
- Låt aldrig någon annan använda produkten utan att först säkerställa att denne har förstått innehållet i bruksanvisningen.
- Tillåt aldrig barn att använda eller vara i närheten av produkten. Eftersom produkten är utrustad med ett återfjädrande START/STOP-reglage och kan startas med låg hastighet och kraft på starthandtaget kan även små barn under vissa omständigheter åstadkomma den kraft som behövs för att starta produkten. Detta kan innebära risk för allvarlig personskada. Avlägsna därför tåndhatten när produkten inte är under uppsikt.
- Förvara produkten oåtkomlig för barn.
- Använd aldrig produkten om du är trött, om du har druckit alkohol eller om du tar mediciner som kan påverka din syn, ditt omdöme eller din kroppskontroll.
- Använd aldrig en produkt som är defekt. Följ underhålls-, kontroll- och serviceinstruktioner i denna bruksanvisning. Vissa underhålls- och serviceåtgärder ska utföras av utbildade och kvalificerade specialister. Se anvisningarna under rubriken Underhåll.
- Använd aldrig en produkt som modifierats så att den ej längre överensstämmer med originalutförandet.

## Säkerhetsinstruktioner för drift



**VARNING:** Läs varningsinstruktionerna nedan innan du använder produkten.

- Använd aldrig produkten vid extrema klimatförhållanden såsom sträng kyla eller mycket varmt och/eller fuktigt klimat.

- Felaktiga knivar kan öka risken för olyckor.
- Se till att ingen kommer närmare arbetsplatsen än 15 meter.
- Iakttta omgivningen och var säker på att det inte finns risk att människor eller djur kan komma i kontakt med skärutrustning.
- Inspektera arbetsområdet. Avlägsna föremål som kan slungas iväg.
- Se alltid till att du har en säker och stadig arbetsposition.
- Lämna aldrig produkten utan uppsikt med motorn igång.
- Se till att händer och fötter inte kommer i närheten av klippaggregatet när motorn är i gång.
- Om någonting fastnar i knivarna under arbetets gång ska du stänga av motorn och vänta tills den har stannat helt innan du rengör knivarna. Ta bort tändkabeln från tändstiftet. Se *Inspektera knivarna på sida 353*.
- När motorn stängts av ska du hålla händer och fötter borta från klippaggregatet tills det har stannat helt.
- Se upp för grenbitar som kan slungas iväg när du klipper.
- Var alltid uppmärksam på varningssignaler eller tillrop när hörselskydd används. Ta alltid av hörselskydden så snart du stängt av motorn.
- Arbeta aldrig från en stege eller pall eller annan upphöjd position som inte är väl förankrad.
- Håll alltid produkten med båda händerna. Håll produkten framför kroppen.
- Om du träffar ett främmande föremål eller det uppstår vibrationer ska du omedelbart stanna produkten. Ta bort tändkabeln från tändstiftet. Kontrollera att produkten inte är skadad. Reparera eventuella skador.
- Se till att tåndhatten och tändkabeln är oskadade för att undvika risk för elektriska stötar.
- Kontrollera att alla muttrar och skruvar är åtdragna.
- Se till att växelhuset är ordentligt smort. Se *Att rengöra växelhuset på sida 353*.
- Efter arbete med produkten blir växelhuset varmt. Ta ej på växeln för att undvika brännskador.
- Samtliga kåpor och skydd måste vara monterade före start.
- Transportskyddet ska alltid sättas på klippaggregatet när produkten inte används.

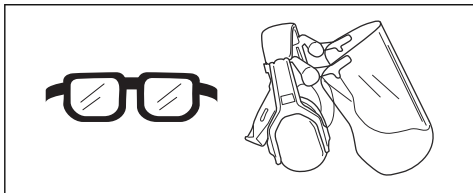
## Personlig skyddsutrustning



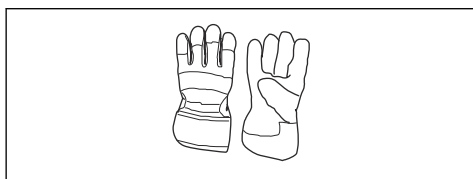
**VARNING:** Läs varningsinstruktionerna nedan innan du använder produkten.

- Använd alltid godkänd personlig skyddsutrustning när du använder produkten. Personlig skyddsutrustning kan inte eliminera skaderisken helt, men den reducerar effekten av en skada vid ett eventuellt olyckstillbud. Be din återförsäljare om hjälp med att välja rätt utrustning.

- Använd godkända hörselskydd med tillräcklig dämpoeffekt. Långvarig exponering för buller kan ge bestående hörselskador.
- Använd godkänt ögonskydd. Används visir måste även godkända skyddsglasögon användas. Godkända skyddsglasögon måste uppfylla standarden ANSI Z87.1 i USA eller SS-EN 166 i EU-länder.



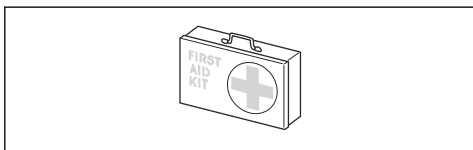
- Använd handskar vid behov, till exempel när du ansluter, undersöker eller rengör skärutrustningen.



- Använd halkfria och stadiga stövlar eller skor.



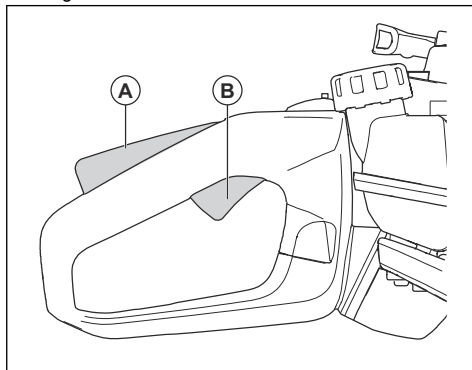
- Ha på dig kläder i slitstarkt material. Bär alltid kraftiga långbyxor och överdel med långa ärmar. Använd inte löst sittande kläder som kan fastna i kvistar och grenar. Bär inte smycken, kortbyxor eller sandaler och gå inte barfota. Sätt upp håret ordentligt så att det inte hänger nedanför axlarna.
- Ha första förband nära till hands.



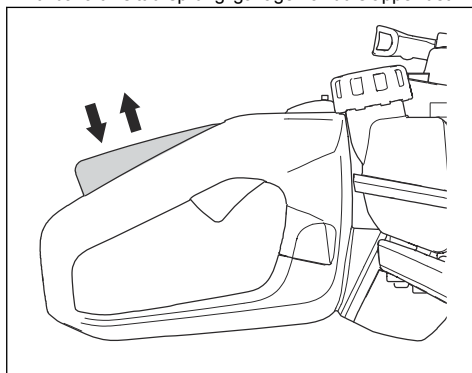
- Använd inte en produkt med defekta säkerhetsanordningar.
- Kontrollera säkerhetsanordningarna regelbundet. Om säkerhetsanordningarna är defekta ska du prata med din Husqvarna serviceverkstad.

### Kontrollera dödmsgreppet

1. Kontrollera att dödmsgreppet (A) och gasreglaget (B) går lätt samt att deras returfjädersystem fungerar.



2. Tryck ner dödmsgreppet och se till att det går tillbaka till sitt ursprungliga läge när du släpper det.

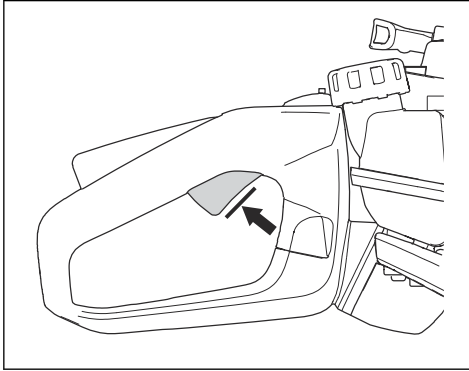


### Säkerhetsanordningar på produkten



**VARNING:** Läs varningsinstruktionerna nedan innan du använder produkten.

3. Se till att gasreglaget är låst i tomgångsläge när dödmansgreppet släpps.



4. Starta produkten och ge fullgas.
5. Släpp gasreglaget och se till att knivarna stannar och förblir stilla.



**WARNING:** Om knivarna rör sig med gasreglaget i tomgångsläge ska förgasarens tomgång justeras. Se *Så justerar du tomgångsvarvtalet på sida 352*.

#### Kontrollera stoppkontakten

1. Starta motorn.
2. För stoppkontakten till stoppläget och se till att motorn stannar.



**WARNING:** Stoppkontakten återgår automatiskt till startläget. Förhindra att motorn startar oavsiktligt genom att ta bort tändhatten från tändstiftet när du monterar eller utför underhåll på produkten.

#### Kontrollera handskyddet

Handskyddet förhindrar skador från knivarna.

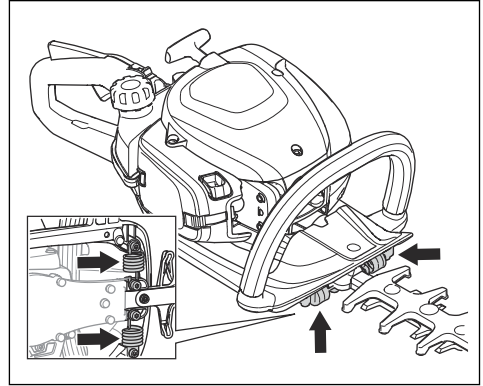
1. Stoppa motorn.
2. Se till att handskyddet är monterat på rätt sätt.
3. Inspektera om handskyddet är skadat.

#### Kontrollera avvibreringssystemet

Avvibreringssystemet minskar vibrationerna i handtagen. Avvibreringselement fungerar som en separation mellan själva produkten och handtagsenheten.

1. Kontrollera visuellt om det finns skador eller någon deformation.

2. Kontrollera att avvibreringselementen är korrekt monterade.



#### Kontrollera ljuddämparen



**WARNING:** Använd inte produkten utan ljuddämpare eller med defekt ljuddämpare. En defekt ljuddämpare kan öka ljudnivån och brandrisken. Använd inte produkten utan eller med trasigt gnistskydd. Vid eventuella skador på gnistskyddet ska detta bytas.



**WARNING:** Ljuddämparna blir mycket heta under och efter drift, samt vid tomgångsvarvtal.



**OBSERVERA:** Om gnistskyddet ofta är igensatt kan det vara ett tecken på att katalysatorns funktion är nedsatt. Kontakta din serviceverkstad om ljuddämparen är i behov av en översyn. Ett igensatt gnistskydd orsakar överhettning och leder till skador på cylinder och kolv.

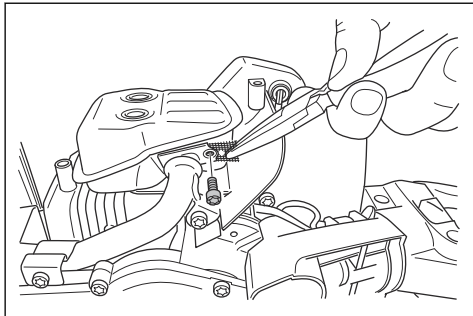


**WARNING:** Ljuddämparens insida innehåller kemikalier som kan orsaka cancer. Var försiktig så att du inte vidrör dessa element om ljuddämparen är skadad.

Ljuddämparen håller ljudnivån till ett minimum och leder bort motorns avgaser från föraren. En ljuddämpare med katalysator minskar skadliga avgaser.

1. Stoppa motorn.
2. Kontrollera visuellt om det finns skador eller någon deformation.
3. Se till att ljuddämparen sitter fast ordentligt på produkten.

#### 4. Rengör gnistskyddet med en stålborste.



#### Kontrollera knivarna och klingskyddet

Knivarnas yttre kanter fungerar som klingskydd. Klingskyddet förhindrar skärskador.

1. Stäng av motorn och se till att knivarna stannar.
2. Avlägsna tändhatten från tändstiftet.
3. Ta på skyddshandskar.
4. Se till att klingan och klingskyddet inte är skadade eller böjda. Byt alltid ut en skadad eller böjd klinga, eller ett skadat klingskydd.
5. Se till att skruvarna till knivarna och klingskyddet är åtdragna.

#### Bränslesäkerhet



**VARNING:** Läs varningsinstruktionerna nedan innan du använder produkten.

- Starta inte produkten om det finns bränsle eller motorolja på produkten. Ta bort det oönskade bränslet/oljan och låt produkten torka.
- Om du spillt bränsle på kläderna skall dessa bytas omedelbart.
- Se till att inte få bränsle på kroppen, det kan orsaka personskador. Om du får bränsle på kroppen ska du använda tvål och vatten för att ta bort bränslet.
- Starta inte produkten om motorn har en läcka. Undersök regelbundet om motorn läcker.
- Var försiktig med bränsle. Bränsle är brandfarligt och ångorna är explosiva och kan orsaka skador eller dödsfall.
- Undvik att andas in bränsleångor då det kan orsaka personskador. Se till att det finns tillräckligt luftflöde.

- Rök inte i närheten av bränslet eller motorn.
- Placera inga varma föremål i närheten av bränslet eller motorn.
- Fyll inte på bränsle när motorn är på.
- Se till att motorn har svalnat innan du fyller på bränsle.
- Innan du fyller på bränsle bör du öppna bränsletanklocket långsamt och försiktigt släppa på trycket.
- Fyll inte på bränsle i motorn inomhus. Otillräckligt luftflöde kan orsaka skador eller dödsfall på grund av kvävning eller kolmonoxidförgiftning.
- Dra åt bränsletanklocket ordentligt. Om bränsletanklocket inte dras åt ordentligt finns det en risk för brand.
- Flytta produkten minst 3 m från den plats där du fyllde på tanken innan du startar den.
- Fyll inte upp tanken helt. Värme gör att bränslet expanderar. Lämna lite plats längst upp på tanken.

#### Säkerhetsinstruktioner för underhåll



**VARNING:** Läs varningsinstruktionerna nedan innan du använder produkten.

- Stoppa motorn och se till att skärutrustningen stannar. Låt produkten svalna innan du utför underhåll.
- Koppla ifrån tändhatten innan du utför underhåll.
- Motors avgaser innehåller kolmonoxid, en luktlös, giftig och mycket farlig gas som kan orsaka dödsfall. Kör inte produkten inomhus eller i slutna utrymmen.
- Motoravgaserna är heta och kan medföra gnistor. Kör inte produkten inomhus eller nära brandfarligt material.
- Tillbehör och ändringar av produkten som inte godkänts av tillverkaren kan orsaka allvarliga skador eller dödsfall. Modifiera inte produkten. Använd alltid originaltillbehör.
- Om underhåll inte utförs korrekt och regelbundet ökar risken för personskador och skador på produkten.
- Utför endast det underhåll som anges i den här bruksanvisningen. Låt en godkänd Husqvarna-serviceverkstad utföra all annan service.
- Låt en godkänd Husqvarna-serviceverkstad utföra service på produkten regelbundet.
- Byt ut skadade, slitna och trasiga delar.

## Drift

### Introduktion



**VARNING:** Läs och förstå säkerhetskapitlet innan du använder produkten.

### Bränsle

Denna produkt har en tvåtaktsmotor.



**OBSERVERA:** Motorn kan skadas om du fyller på med fel typ av bränsle. Använd en blandning av bensin och tvätaktolja.

## Förblandat bränsle

- Använd förblandat alkylatbränsle från Husqvarna för bästa prestanda och förlängning av motorns livslängd. Det här bränslet innehåller mindre skadliga kemikalier jämfört med vanligt bränsle, vilket minskar de skadliga avgaserna. Mängden rester som finns kvar efter förbränning är lägre med detta bränsle, vilket håller komponenterna i motorn renare.

## Blanda bränsle

### Bensin

- Använd blyfri bensin av bra kvalitet med högst 10 % etanolhalt.



**OBSERVERA:** Använd inte bensin med ett oktantal lägre än 90 RON/87 AKI. Ett lägre oktantal kan orsaka motorknackning, vilket leder till motorskador.

### Tvätaktolja

- För bästa resultat och funktion ska du använda tvätaktolja från Husqvarna.
- Om tvätaktolja från Husqvarna inte finns tillgänglig kan du använda en annan tvätaktolja av hög kvalitet för luftkylda motorer. Tala med en serviceverkstad för att välja rätt olja.



**OBSERVERA:** Använd inte tvätaktolja för vattenkylda utombordsmotorer, s.k. outboardoil. Använd inte olja avsedd för fyrtaktsmotorer.

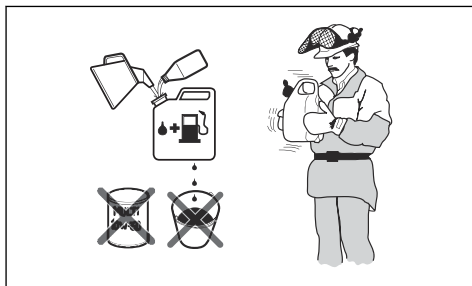
## Blanda bensin och tvätaktolja

Bensin, liter	Tvätaktolja, liter
	<b>2 % (50:1)</b>
5	0,10
10	0,20
15	0,30
20	0,40



**OBSERVERA:** Små fel kan påverka blandningsförhållandet drastiskt när du blandar små mängder bränsle. Mät noga

mängden olja för att se till att du får rätt blandning.



- Fyll halva mängden bensin i en ren behållare för bränsle.
- Tillsätt all olja.
- Skaka bränsleblandningen.
- Fyll i återstående mängd bensin i behållaren.
- Skaka omsorgsfullt bränsleblandningen.



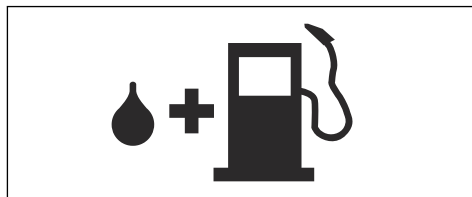
**OBSERVERA:** Blanda inte bränsle för mer än en månad i taget.

## Fylla på bränsletanken



**VARNING:** Följ nedanstående procedur för din säkerhet.

- Stanna motorn och vänta tills den har svalnat.
- Torka rent runt bränsletanklocket.



- Skaka behållaren och kontrollera att bränslet är helt blandat.
- Ta bort tanklocket långsamt för att släppa på trycket.
- Fyll bränsletanken.



**OBSERVERA:** Kontrollera att det inte finns för mycket bränsle i bränsletanken. Bränslet expanderar när det blir varmt.

- Dra åt bränsletanklocket ordentligt.
- Torka upp bränslespill på och runt produkten.

8. Flytta produkten minst tre meter bort från tankningsplatsen och bränsledepån innan du startar motorn.

**Notera:** Information om var bränsletanken sitter på produkten finner du i *Produktöversikt på sida 343*.

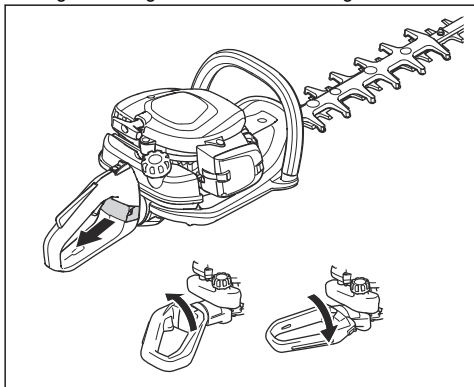
## Montera klingspetskyddet

1. Ta bort muttern och bulten på klingspetsen.
2. Montera klingspetskyddet på klingspetsen.
3. Montera bulten och dra åt den med 7 Nm.
4. Montera muttern och dra åt den med 5 Nm.

## Justera handtaget

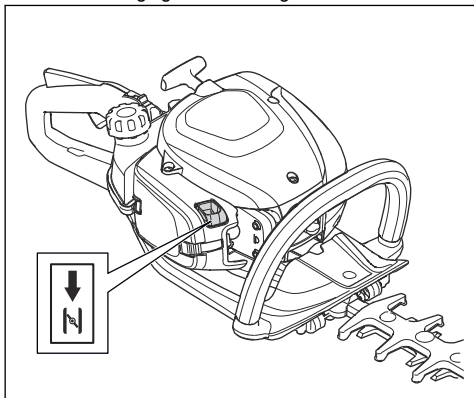
Det bakre handtaget kan justeras i tre positioner.

- Frigör handtagets lås och vrid handtaget.



## Starta produkten med kall motor

1. Dra chokereglaget till chokeläget.



2. Tryck på bränslepumpblåsan ungefär sex gånger eller tills blåsan börjar fyllas med bränsle. Det är inte nödvändigt att fylla bränslepumpblåsan helt.

3. Håll motorkroppen på marken med vänster hand. Kliv inte på produkten.
4. Dra långsamt i startsnörets handtag med höger hand tills du känner motstånd, och dra sedan snabbt och kraftigt i startsnörets handtag.



**VARNING:** Vira inte startsnöret runt handen.



**OBSERVERA:** Dra inte ut startsnöret helt och släpp inte heller startsnörets handtag.

5. Fortsätt att dra i startsnörets handtag tills motorn tänds och tryck sedan chokereglaget till ursprungsläget.



**VARNING:** Knivarna rör sig när motorn startar.

6. Fortsätt att dra i startsnörets handtag tills motorn startar.
7. Tryck in och släpp gasreglaget för att ställa in motorn på tomgång.
8. Skjut gasreglaget gradvis för att öka motorns varvtal.
9. Kontrollera att motorn går jämnt.

## Starta produkten med varm motor

1. Håll motorkroppen på marken med vänster hand. Kliv inte på produkten.
2. Dra långsamt i startsnörets handtag med höger hand tills du känner motstånd, och dra sedan snabbt och kraftigt i startsnörets handtag. Fortsätt tills motorn startar.

**Notera:** Mer information om hur du startar produkten finns i *Starta produkten med kall motor på sida 350*.

## Stänga av produkten

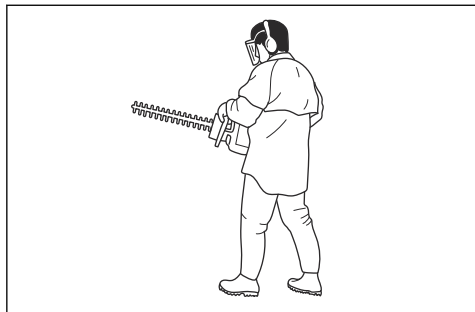
- Flytta stoppkontakten till stoppläge för att stanna motorn.



**OBSERVERA:** Stoppkontakten återgår automatiskt till driftläget.

## Använda produkten

1. Börja nära marken och flytta produkten upp längs häcken när du klipper sidorna. Se till att produktens chassi inte vidrör häcken.



**VARNING:** Se till att skärutrustningens spets inte vidrör marken.

2. Justera hastigheten för att passa arbetsbelastningen.
3. Håll produkten nära kroppen för en stabil arbetsställning.
4. Var försiktig och använd produkten långsamt.

## Underhåll

### Introduktion



**VARNING:** Läs och förstå säkerhetskapitlet innan du utför underhåll på produkten.

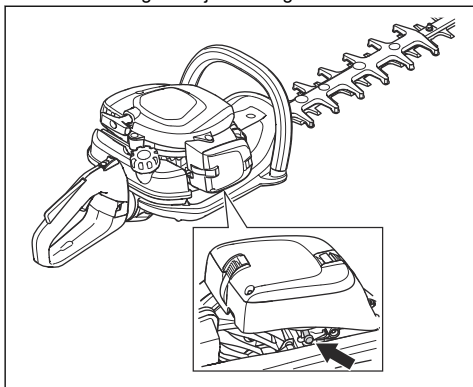
### Underhållsschema

underhåll	Före användning	Efter 40 tim	Efter 100 tim
Rengör utsidan.		Efter varje användning.	
Rengör ljuddämparen, avgasröret och motorn för att få bort löv, smuts och oönskade smörjmedel.		Efter varje användning.	
Se till att skärutrustningen inte rör sig vid tomgångsvarvtal.	X		
Kontrollera stoppkontakten.	X		
Undersök om skärutrustningen och skärutrustningsskyddet har skador eller sprickor. Byt ut vid skada.	X		
Undersök om handskyddet är skadat eller har sprickor. Byt ut vid skada.	X		
Kontrollera gasreglagespärren och gasreglaget.	X		
Undersök om motorn, bränsletanken och bränsleledningarna läcker.	X		
Dra åt muttrar och skruvar.	X		
Undersök om bränslefiltret är förorenat och om bränsleslangen har sprickor eller andra defekter. Byt ut vid behov.	X		
Undersök om startmotorn och startsnöret är skadade.		X	
Rengör luftfiltret. Byt ut vid behov.		X	
Undersök om avvibreringselementen har skador eller sprickor.		X	
Undersök tändstiftet, se <i>Så undersöker du tändstiftet på sida 352.</i>		X	

underhåll	Före användning	Efter 40 tim	Efter 100 tim
Rengör kylsystemet.		X	
Rengör förgasarens utsida och området runt denna.		X	
Rengör eller byt ut gnistfångarnätet.			X
Rengör bränsletanken invändigt.			X
Undersök tändstiftet.			X
Se till att växelhuset är fyllt med fett.			X

## Så justerar du tomgångsvarvtalet

1. Rengör luftfiltret och montera luftfilterkåpan.
2. Starta produkten, se *Starta produkten med kall motor på sida 350*.
3. Vrid tomgångsjusterskruven medurs tills skärutrustningen börjar röra sig.



4. Vrid tomgångsjusterskruven moturs tills skärutrustningen stannar.



**VARNING:** Om skärutrustningen inte stannar när du justerar tomgångsvarvtalet ska du kontakta närmaste serviceverkstad. Använd inte produkten förrän den är korrekt inställd eller reparerad.

**Notera:** Tomgångsvarvtalet är korrekt när motorn arbetar jämnt i alla positioner. Se *Tekniska data på sida 354* för rekommenderat tomgångsvarvtal.

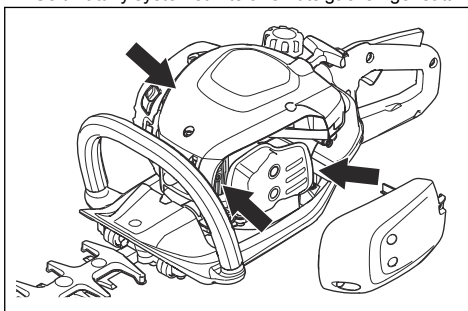
## Så rengör du kylsystemet

Kylsystemet håller motortemperaturen nere. Kylsystemet innefattar kylflänsarna på cylindern och startapparatshuset.



**OBSERVERA:** Luftintaget mellan bränsletanken och vevhuset blockeras lätt av löv. Rengör luftintaget helt.

1. Rengör kylsystemet med en borste varje vecka eller oftare vid behov.
2. Se till att kylsystemet inte är smutsigt eller igensatt.



## Så undersöker du tändstiftet

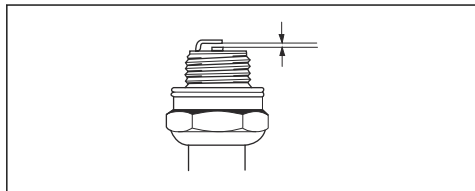


**OBSERVERA:** Använd alltid rekommenderad tändstiftstyp. Fel typ av tändstift kan orsaka skador på produkten.

- Undersök tändstiftet om motorn har låg effekt, är svår att starta eller inte fungerar korrekt vid tomgångsvarvtal.
- Följ dessa instruktioner om du vill minska risken för oönskat material på tändstiftets elektroder:
  - a) Se till att tomgångsvarvtalet är korrekt justerat.
  - b) Se till att bränsleblandningen är korrekt.
  - c) Se till att luftfiltret är rent.



- Om tändstiftet är smutsigt rengör du det och ser till att elektrodavståndet är korrekt, se *Tekniska data på sida 354*.

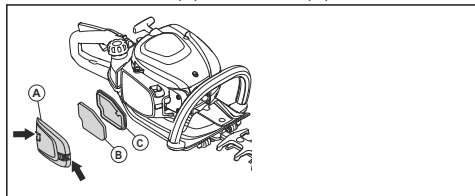


- Byt ut tändstiftet vid behov.

## Rengöra lufffiltret

Rengör lufffiltret från smuts och damm. Detta förhindrar förgasartörningar, startproblem, dålig motoreffekt, slitage på motorns delar och mer bränsleförbrukning än vanligt.

1. Ta bort lufffilterkåpan (A).
2. Ta ur skumfiltret (B) och filtfiltret (C) från filterramen.



3. Byt ut filtfiltret (C).
4. Rengör skumfiltret (B) med varmt tvålatten.

**Notera:** Ett länge använt luftfilter kan aldrig bli fullständigt rent. Byt ut lufffiltret regelbundet och byt alltid ut ett defekt luftfilter.

5. Se till att skumfiltret (B) är rent.
6. Applicera luftfilterolja på skumfiltret (B). Se *Applicera olja på luftfiltret på sida 353*
7. Rengör insidan av lufffilterkåpan (A). Använd tryckluft eller en borste.

## Applicera olja på luftfiltret



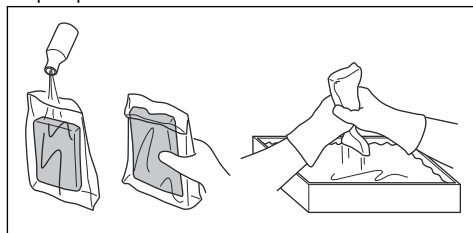
**OBSERVERA:** Använd alltid speciell luftfilterolja från Husqvarna. Använd inga andra typer av olja.



**VARNING:** Ta på skyddshandskar. Luftfilteroljan kan orsaka hudirritation.

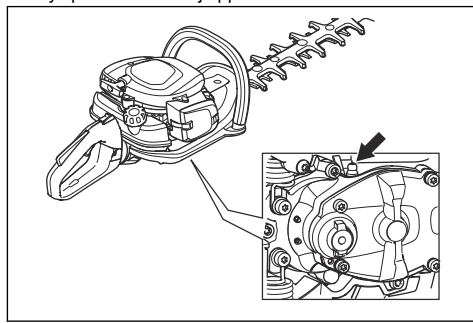
1. Lägg lufffiltret i en plastpåse.
2. Tillsätt oljan i plastpåsen.
3. Gnid på plastpåsen för att fördela oljan jämnt på lufffiltret.

4. Tryck ut önskad olja ur lufffiltret medan det är i plastpåsen.



## Att rengöra växelluset

- Använd specialfett från Husqvarna. Prata med en serviceverkstad för mer information om rekommenderat fett.
- Fyll på fett via smörjnippeln.



**OBSERVERA:** Fyll inte växelluset helt.

## Rengöra och smörja knivarna

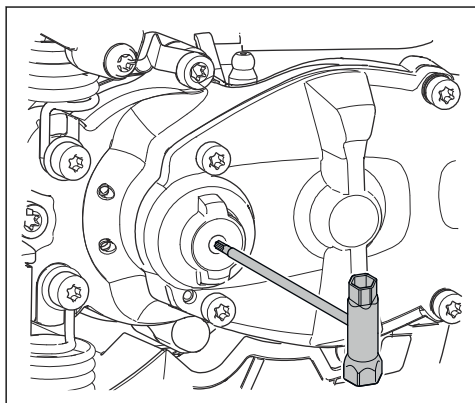
1. Ta bort oönskat material från knivarna innan och efter du använder produkten.
2. Smörj knivarna före längre tids förvaring.

**Notera:** Prata med en serviceverkstad för mer information om rekommenderade rengöringsmedel och smörjmedel.

## Inspektera knivarna

1. Ta bort locket på växelluset.

- Se till att knivarna kan röra sig fritt. Placera kombinyckeln i växelhuset och vrid medurs och moturs.



- Undersök om knivarnas eggar har skador och deformationer.
- Använd en fil för att ta bort grader på knivarna.

## Transport, förvaring och kassering

### Transport och förvaring

- Låt alltid produkten svalna innan förvaring.
- Vid förvaring och transport av produkten och bränslet ska du se till att det inte förekommer något läckage eller avgaser. Gnistor eller öppen eld, t.ex. från elektriska apparater eller pannor, kan orsaka brand.
- Använd alltid godkända behållare för transport och förvaring av bränsle.
- Töm ut bränslet före transport och före långtidsförvaring. Kassera bränslet på lämplig anvisad plats.
- Sätt fast transportskyddet under transport och förvaring.
- Avlägsna tändhatten från tändstiftet.
- Sätt fast produkten under transport. Se till att den inte kan förflytta sig.
- Rengör och utför service på produkten innan långvarig förvaring.

## Tekniska data

### Tekniska data

	522HD60X	522HDR60X	522HDR75X
<b>Motor</b>			
Cylindervolym, cm <sup>3</sup>	21,7	21,7	21,7
Tomgångsvarvtal, varv/min	3 000	3 000	3 000
Rekommenderat högsta varvtal, varv/min	9 200	9 200	9 200
Max. motoreffekt enligt ISO 8893, kW/hk vid varv/min	0,6/0,8 vid 7 800	0,6/0,8 vid 7 800	0,6/0,8 vid 7 800
Katalysatorjuddämpare	Ja	Ja	Ja
<b>Tändsystem</b>			
Tändstift	NGK CMR6A	NGK CMR6A	NGK CMR6A

	522HD60X	522HDR60X	522HDR75X
Elektroddgap, mm	0,5	0,5	0,5
<b>Bränsle</b>			
Bränsletankvolym, l/cm <sup>3</sup>	0,45/450	0,45/450	0,45/450
<b>Vikt</b>			
Utan bränsle, kg	4,9	5,0	5,2
<b>Bulleremissioner</b> <sup>70</sup>			
Ljudeffektnivå, uppmätt dB (A)	101	101	101
Ljudeffektnivå, garanterad L <sub>WA</sub> dB (A)	102	102	102
<b>Ljudnivåer</b> <sup>71</sup>			
Ekvivalent ljudtrycksnivå vid användarens öra, uppmätt enligt EN ISO 10517, dB(A)	93	93	93
<b>Vibrationsnivåer</b> <sup>72</sup>			
Vibrationsnivåer (a <sub>h<sub>v</sub>,ekv</sub> ) i handtag, uppmätt enligt SS-EN ISO 10517, m/s <sup>2</sup> :			
Främre/bakre, mm/s <sup>2</sup>	2,7/1,2	2,8/1,3	2,1/2,2
<b>Knivar</b>			
Typ	Dubbelsidig	Dubbelsidig	Dubbelsidig
Klipplängd, mm	600	600	750
Skärhastighet, klipp/min	4 400	3 200	3 200

<sup>70</sup> Emission av buller till omgivningen uppmätt som ljudeffekt (L<sub>WA</sub>) enligt EG-direktiv 2000/14/EG. Rapporterad ljudeffektnivå för produkten har uppmätts med den originalskärutrustning som ger den högsta nivån. Skillnaden mellan garanterad och uppmätt ljudeffekt är att den garanterade ljudeffekten också inkluderar spridning i mätresultatet och variationen mellan olika produkter av samma modell enligt direktiv 2000/14/EG.

<sup>71</sup> Redovisade data för ljudtrycksnivå har ett typiskt spridningsmått (standardavvikelse) på 1 dB(A).

<sup>72</sup> Rapporterade data för vibrationsnivå har en typisk statistisk spridning (standardavvikelse) på 1 m/s<sup>2</sup>.

# Försäkran om överensstämmelse

## EU-försäkran om överensstämmelse

Vi, **Husqvarna AB**, 561 82 Huskvarna, Sverige, tel:  
+46-36-146500, försäkrar på eget ansvar att produkten:

<b>Beskrivning</b>	Häcksax
<b>Varumärke</b>	Husqvarna
<b>Typ/Modell</b>	522HD60X, 522HDR60X, 522HDR75X
<b>Identifiering</b>	Serienummer daterade 2022 och framåt

uppfyller alla krav i följande EU-direktiv och förordningar:

<b>Lagstiftning</b>	<b>Beskrivning</b>
2006/42/EG	"om maskiner"
2014/30/EU	"angående elektromagnetisk kompatibilitet"
2000/14/EG	"angående emission av buller till omgivningen"
2011/65/EU	"angående begränsning av användning av vissa farliga ämnen i elektrisk och elektronisk utrustning"

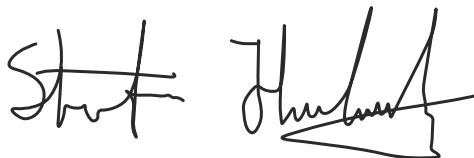
och att följande standarder och/eller tekniska specifikationer tillämpas: EN ISO 12100:2021, CISPR 12: 2009, EN ISO 10517:2009/A1:2013, EN IEC 63000:2018.

RISE SMP Svensk Maskinprovning AB, har utfört en frivillig typkontroll på uppdrag av Husqvarna AB. Certifikatsnummer: SEC/18/2518.

RISE SMP Svensk Maskinprovning AB, har intygat överensstämmelse med rådets direktiv av den 8 maj 2000 "angående emission av buller till omgivningen" 2000/14/EG. Certifikatnummer: 01/094/026-522HD60X, 01/094/027-522HDR60X, 522HDR75X.

För information om bulleremissioner, se *Tekniska data på sida 354*.

Huskvarna, 2022-05-09



Stefan Holmberg, R&D Director, Technology Management, Husqvarna AB

Ansvarig för teknisk dokumentation

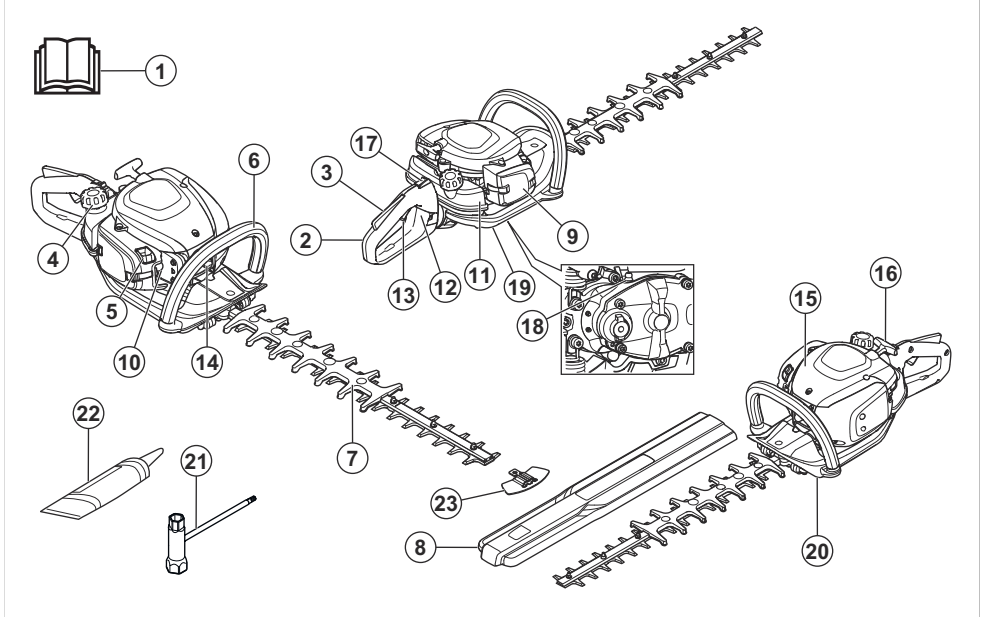


## İçindekiler

Giriş.....	357	Taşıma, depolama ve atma.....	368
Güvenlik.....	358	Teknik veriler.....	369
Çalışma.....	363	Uyumluluk Bildirimi.....	371
Bakım.....	365		

## Giriş

### Ürüne genel bakış



1. Kullanım kılavuzu
2. Arka kol
3. Gaz tetiği kilidi
4. Yakıt tankı kapağı
5. Jikle kontrolü
6. Ön tutamak
7. Bıçak ve bıçak koruyucusu
8. Nakliye koruyucusu
9. Hava filtresi kapağı
10. Yakıt pompası diyaframı haznesi
11. Yakıt tankı
12. Kol kilidi
13. Gaz tetiği
14. Buji kapağı ve buji
15. Silindir kapağı
16. Çalıştırma ipi tutma yeri

17. Durdurma anahtarı
18. Gres memesi
19. Dişli yuvası
20. El koruması
21. Kombine anahtar
22. Yağ tüpü
23. Bıçak ucu koruması

### Ürün açıklaması

Ürün, yanmalı motorlu bir çit düzelticidir.

### Kullanım amacı

Ürünü dalları ve çalları kesmek için kullanın. Ürünü başka işler için kullanmayın.

## Ürün üzerindeki semboller



Dur.



Dikkatli olun ve ürünü doğru kullanın. Bu ürün, sürücü ya da başkaları açısından ciddi yaralanmalara veya ölüme neden olabilir.



Kullanım kılavuzunu dikkatle okuyun ve kullanımdan önce talimatları anladığınızdan emin olun.



Onaylı kulak koruma ekipmanı ve onaylı koruyucu gözlük kullanın.



Onaylı koruyucu eldiven kullanın.



Ağır işler için elverişli, kaymaya dirençli botlar kullanın.

T

Rölanti ayar vidası.

H

Yüksek hız iğnesi.

L

Düşük hız iğnesi.



Avrupa Direktifi 2000/14/AT ve Yeni Güney Galler mevzuatı "Çevre Koruma Operasyonları (Gürültü Kontrolü) Yönetmeliği 2017" uyarınca çevreye yayılan gürültü emisyonları. Gürültü emisyonu verileri makine etiketinde ve Teknik veriler bölümünde bulunabilir.

CE

Ürün, geçerli AT direktiflerine uygundur.

UK  
CA

Bu ürün yürürlükteki Birleşik Krallık yönetmeliklerine uygundur.

yyyyhxxxx

Nominal değerler plakası, seri numarasını gösterir. **yyyy** üretim yılı, **hh** ise üretim haftasıdır.

**Not:** Ürünün üzerindeki diğer semboller/etiketler, bazı pazarların sertifikalandırma gereklilikleri ile ilgilidir.

## Avrupa V Emisyonları



**UYARI:** Motorun kurcalanması bu ürünün AB tip onayını geçersiz kılar.

## Güvenlik

### Güvenlik tanımları

Kılavuzdaki önemli kısımları vurgulamak için uyarılar ve notlar kullanılmıştır.



**UYARI:** Kılavuzdaki talimatlara uyulmadığı takdirde operatör veya çevredeki kişiler için ciddi yaralanma veya ölüm tehlikesi varsa kullanılır.



**DİKKAT:** Kılavuzdaki talimatlara uyulmadığı takdirde ürünün, diğer malzemelerin veya çevrenin zarar görme riski olduğunda kullanılır.

**Not:** Belirli bir durumda bilgi verilmesi gerektiğinde kullanılır.

### Genel güvenlik talimatları



**UYARI:** Ürünü kullanmadan önce aşağıdaki uyarı talimatlarını okuyun.

- Ürünün hatalı veya dikkatsiz kullanılması pili ciddi, hatta ölümcül yaralanmalara neden olabilen tehlikeli bir alete çevirebilir. Bu kullanım kılavuzunun içeriğini okumanız ve anlamanız son derecede önemlidir.
- Bu ürün, çalışırken elektromanyetik bir alan oluşturur. Bu alan, bazı koşullarda aktif veya pasif tıbbi implantlarda girişime neden edebilir.

- Yaralanmaya veya ölüme neden olabilecek durumların ortaya çıkma riskini azaltmak için tıbbi implantı olan kişilerin, siz bu ürünü çalıştırmadan önce doktorlarına ve tıbbi implant üreticilerine danışmalarını öneririz.
- Titreşime aşırı ölçüde maruz kalmak, dolaşım bozukluğu olan kişilerde dolaşım veya sinir sistemi hasarına yol açabilir. Titreşime aşırı maruz kalma belirtileri yaşıyorsanız doktorunuzla iletişime geçin. Bu belirtilerden bazıları uyuşma, his kaybı, karincalanma, iğnelenme, acı, güç kaybı, ten renginde veya durumunda değişiklikler. Bu belirtiler genelde parmaklarda, ellerde veya bileklerde görülür. Düşük sıcaklıklarda risk artar.
  - Nasıl devam etmeniz gerektiği konusunda emin olmadığınız bir durumla karşılaşırsanız bir uzmana danışmalısınız. Bayınız veya servis atölyenizle iletişime geçin. Yapabileceğinizin ötesinde olduğunu düşündüğünüz hiçbir çalışmayı yapmayın.
  - İnsanların veya mülklerin kazalara veya tehlikelere maruz kalmasından operatörün sorumlu olacağını unutmayın.
  - Kullanım kılavuzundaki bilgileri tam olarak anlamadığınızdan emin olmadığınız kişilerin ürünü kullanmasına kesinlikle izin vermeyin.
  - Çocukların ürünü kullanmasına veya ürünü yakınında bulunmasına kesinlikle izin vermeyin. Ürün yaylı mekanizmalı bir durdurma anahtarıyla donatıldığından ve düşük hızda ve çalıştırma koluna uygulanan kuvvetle çalıştırılabildiğinden, bazı durumlarda küçük çocuklar dahi ürünü çalıştırmak için gereken kuvveti sağlayabilir. Bu da ciddi yaralanma riski doğurur. Bu nedenle, ürün sıkı gözetim altında olmadığında buji kapağını çıkarın.
  - Ürünü çocukların erişemeyeceği yerlerde saklayın.
  - Yorgunsanız, alkol aldysanız veya görüşünüzü, karar verme yetinizi ya da koordinasyonunuzu etkileyebilecek ilaçlar alıyorsanız ürünü asla kullanmayın.
  - Arızalı bir ürünü kesinlikle kullanmayın. Bu kılavuzda belirtilen tüm kontrol, bakım ve servis talimatlarına uyun. Bazı bakım ve servis işlerinin sadece yetkili ve kalifiye teknisyenler tarafından yapılması gerekir. Bakım başlığı altındaki talimatlara bakın.
  - Orijinal özellikleri değiştirilecek şekilde modifiye edilmiş bir ürünü asla kullanmayın.

## Kullanım için güvenlik talimatları



**UYARI:** Ürünü kullanmadan önce aşağıdaki uyarı talimatlarını okuyun.

- Ürün aşırı soğuk, aşırı sıcak ve/veya nemli iklimler gibi ağır hava koşullarında asla kullanmayın.
- Hatalı bıçaklar kaza riskini artırabilir.
- Çalışırken hiç kimsenin 15 metreden (50 ft) fazla yaklaşmadığından emin olun.

- Çevrenize dikkat edin ve insanların veya hayvanların kesme donanımıyla temas etme riski olmadığından emin olun.
- Çalışma alanını inceleyin. Fırlayabilecek tüm nesnelere uzaklaşın.
- Her zaman çalışma konumunuzun emniyetli ve dengeli olduğundan emin olun.
- Motor çalışırken ürünün başından asla ayrılmayın.
- Motor çalışır durumdayken ellerinizi ve ayaklarınızı kesme birimine yaklaştırmayın.
- Çalışmanızı esnasında bıçakların arasına bir şey sıkılırsa motoru kapatın ve bıçakları temizlemeden önce tamamen durmasını bekleyin. HT kablosunu bujiden sökün. Bkz. *Bıçakların kontrol edilmesi sayfa: 368*.
- Motor kapatıldığında tamamen durana kadar ellerinizi ve ayaklarınızı kesme biriminden uzak tutun.
- Kesme işlemi esnasında fırlayabilecek dal parçalarına dikkat edin.
- Kulak koruma aygıtı taktığınızda, uyarı sinyalleri veya bağırma seslerini dinleyiniz. Motor durur durmaz kulak koruma ekipmanınızı hemen çıkarın.
- Asla tam olarak güvenli olmayan merdiven, tabure veya diğer yüksek pozisyonlar üzerinde çalışmayın.
- Ürünü tutmak için her zaman iki elinizi birden kullanın. Ürünü vücudunuzun önünde tutun.
- Yabancı bir cisme çarpıldığında ya da titreşim oluştuğunda ürünü hemen durdurun. HT kablosunu bujiden sökün. Ürünün hasarlı olup olmadığını kontrol edin. Hasarları tamir edin.
- Elektrik çarpması riskini önlemek için buji kapağının ve ateşleme ucunun hasarlı olmadığından emin olun.
- Tüm somunların ve vidaların sıkı olup olmadığını kontrol edin.
- Dişli kovanının düzgün yağlandığından emin olun. Bkz. *Dişli kovanını yağlama sayfa: 368*.
- Ürün kullanılırken dişli kovana ısınır. Kendinizi yakmaktan sakınmak için dişli kovana dokunmayın.
- Çalıştırmadan önce tüm kapaklar ve siperlikler takılmış olmalıdır.
- Nakliye koruyucusu, ürün kullanılmıyorken kesme birimine her zaman takılı olmalıdır.

## Kişisel koruyucu ekipman

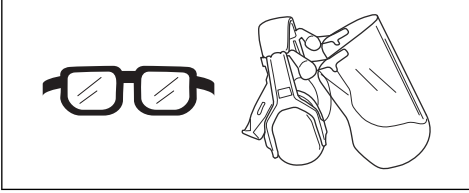


**UYARI:** Ürünü kullanmadan önce aşağıdaki uyarı talimatlarını okuyun.

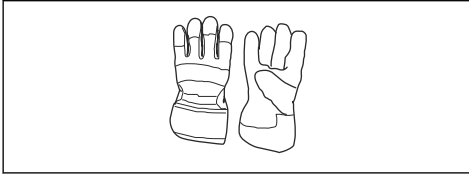
- Ürünü kullanırken daima onaylı kişisel koruyucu ekipmanları kullanın. Kişisel koruyucu ekipmanlar yaralanma riskini tamamen engelleyemez ancak bir kaza durumunda yaralanmanın derecesini azaltır. Bayinizin doğru ekipmanı seçmenize yardımcı olmasını sağlayın.
- Yeterli gürültü azaltması sağlayan onaylı kulak koruma ekipmanını kullanın. Uzun süre gürültüye

maruz kalınması sürekli işleme bozukluğuna yol açabilir.

- Onaylı koruyucu gözlük kullanın. Vizör kullanıyorsanız onaylı koruma gözlüğü de kullanmanız gerekir. Onaylı koruma gözlükleri ABD'de ANSI Z87.1, AB ülkelerinde EN 166 standardıyla uyumlu olmalıdır.



- Kesme donanımını takma, kontrol etme veya temizleme gibi eldiven gerektiren durumlarda eldiven kullanın.



- Sağlam, kaymayan botlar veya ayakkabılar giyin.



- Sağlam kumaştan yapılmış kıyafetler kullanın. Daima kalın ve uzun pantolonlarla uzun kollu kıyafetler kullanın. Çalılara ve dallara takılabilecek bol kıyafetler kullanmayın. Takı takmayın; şort, sandalet giymeyin veya çıplak ayakla dolaşmayın. Saçınızı güvenli bir şekilde omuz hizasının üzerinde toplayın.
- İlk yardım ekipmanını yakında bulundurun.



## Ürünün üzerindeki güvenlik aletleri

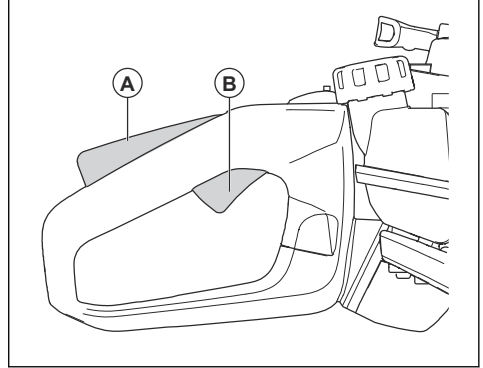


**UYARI:** Ürünü kullanmadan önce aşağıdaki uyarı talimatlarını okuyun.

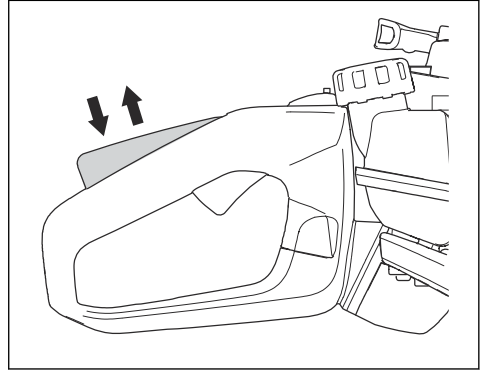
- Güvenlik araçları arızalı olan bir ürünü kullanmayın.
- Güvenlik araçlarını düzenli olarak kontrol edin. Güvenlik araçları arızalıysa Husqvarna servis noktanızla görüşün.

## Gaz tetiği kilidini kontrol etme

1. Gaz tetiği kilidinin (A) ve gaz tetiğinin (B) serbestçe hareket ettiğinden ve dönüş yayının düzgün çalıştığından emin olun.

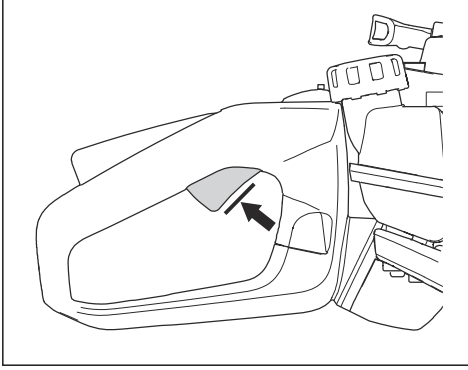


2. Gaz tetiği kilidine basın ve tetiği serbest bıraktığınızda başlangıç konumuna döndüğünden emin olun.





3. Gaz tetiği kilidi serbest bırakıldığında gaz tetiğinin rölanti konumunda sabitlendiğinden emin olun.



4. Ürünü çalıştırın ve tam gaz verin.
5. Gaz tetiğini serbest bırakın ve bıçakların durduğundan ve sabit kaldığından emin olun.



**UYARI:** Gaz tetiği rölanti konumundayken bıçaklar hareket ederse karbüratör rölantisinin ayarlanması gerekir. Bkz. *Rölantinin ayarlanması sayfa: 366.*

#### Durdurma anahtarını kontrol etme

1. Motoru başlatın.
2. Durdurma anahtarını durdurma konumuna itin ve motorun durduğundan emin olun.



**UYARI:** Durdurma anahtarı, otomatik olarak çalıştırma konumuna geri döner. Yanlışlıkla çalıştırmayı önlemek için ürünün monte ederken veya ürün üzerinde bakım yaparken buji kapağını bujiden çıkarın.

#### El korumasını kontrol etme

El koruyucusu bıçakların yol açabileceği yaralanmaları engeller.

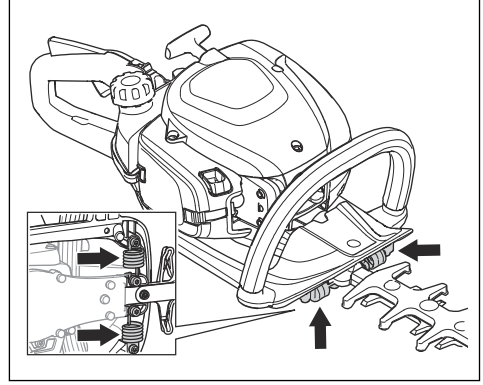
1. Motoru durdurun.
2. El korumasının doğru şekilde takıldığından emin olun.
3. El korumasında hasar olup olmadığını kontrol edin.

#### Titreşim azaltma sistemini kontrol etme

Titreşim azaltma sistemi tutma yerlerindeki titreşimi azaltır. Titreşim azaltma üniteleri ürünün gövdesi ile tutma yeri ünitesi arasında ayırıcı bölme işlevi görür.

1. Herhangi bir hasar veya deformasyon olup olmadığını gözünüzle kontrol edin.

2. Titreşim azaltma elemanlarının doğru şekilde takıldığından emin olun.



#### Susturucuyu kontrol etme



**UYARI:** Ürünü susturucu olmadan ya da arızalı bir susturucuyla kullanmayın. Arızalı bir susturucu, gürültü düzeyini ve yangın riskini artırabilir. Ürünü kıvılcım önleyici siperlik olmadan veya kırık bir kıvılcım önleyici siperlikle kullanmayın. Kıvılcım önleyici siperlik hasarlıysa değiştirilmelidir.



**UYARI:** Susturucular çalışmadan hemen sonra ve rölantide çok ısınır.



**DİKKAT:** Kıvılcım önleyici siperlik sık sık tıkanıyorsa bu durum katalitik dönüştürücü performansının azaldığının bir göstergesi olabilir. Susturucuyu kontrol ettirmek için servis bayinizle iletişime geçin. Kıvılcım önleyici siperliğin tıkanması aşırı ısınmaya ve dolaylı olarak silindirin ve pistonun zarar görmesine neden olur.

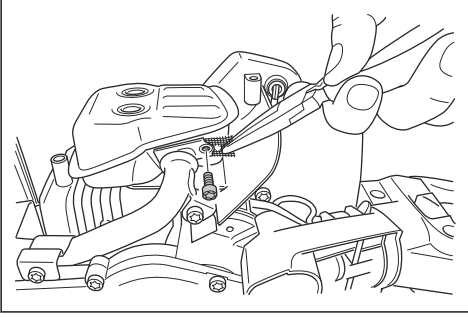


**UYARI:** Susturucunun iç yüzeylerinde kansere neden olabilecek kimyasallar bulunur. Susturucu hasar gördüğünde bu elemanlara dokunmamaya özen gösterin.

Susturucu, gürültü düzeyini minimum seviyede tutar ve egzoz dumanlarını operatörden uzağa yönlendirir. Katalitik dönüştürücülü susturucu, zararlı egzoz gazlarını azaltır.

1. Motoru durdurun.
2. Herhangi bir hasar veya deformasyon olup olmadığını gözünüzle kontrol edin.
3. Susturucunun ürüne doğru şekilde takıldığından emin olun.

#### 4. Kıvılcım önleyici siperliği tel fırça ile temizleyin.



#### Bıçakları ve bıçak siperliğini kontrol etme

Bıçakların dış kısmı, bıçak siperliği işlevi görür. Bıçak siperliği, kesme sonucu yaralanmaları önler.

1. Motoru durdurun ve bıçakların durduğundan emin olun.
2. Buji kapağını bujiden çıkartın.
3. Koruyucu eldivenleri giyin.
4. Bıçağın ve bıçak siperliğinin hasarlı ya da bükülmüş olmadığından emin olun. Hasarlı veya bükülmüş bıçağı ya da hasarlı bıçak siperliğini mutlaka değiştirin.
5. Bıçak ve bıçak siperliği vidalarının sıkı olduğundan emin olun.

#### Yakıt güvenliği



**UYARI:** Ürünü kullanmadan önce aşağıdaki uyarı talimatlarını okuyun.

- Ürünün üzerinde yakıt veya motor yağı varsa ürünü çalıştırmayın. İstenmeyen yakıtı/yağı temizleyin ve ürünün kurumasını bekleyin.
- Kıyafetlerinize yakıt bulaşırsa kıyafetlerinizi hemen değiştirin.
- Vücudunuza yakıt bulaştırmayın; bu, yaralanmaya sebep olabilir. Vücudunuza yakıt bulaşırsa yakıtı temizlemek için su ve sabun kullanın.
- Motorda sızıntı varsa ürünü çalıştırmayın. Motorda sızıntı olup olmadığını düzenli olarak kontrol edin.
- Yakıtla uğraşırken dikkatli olun. Yakıt yanıcı ve dumanlar patlayıcıdır; yaralanmalara veya ölüme sebep olabilir.
- Yaralanmaya sebep olabileceğinden yakıt dumanını solumayın. Yeterli hava akışı olduğundan emin olun.

- Yakıtın veya motorun yakınında sigara içmeyin.
- Yakıtın veya motorun yakınına sıcak nesnelere koymayın.
- Motor açıkken yakıt eklemeyin.
- Yakıtı yenilemeden önce motorun soğuduğundan emin olun.
- Yakıtı yenilemeden önce yakıt tankı kapağını yavaşça açın ve basıncı dikkatlice tahliye edin.
- Kapalı bir alanda motora yakıt eklemeyin. Nefessiz kalma veya karbon monoksit nedeniyle yeterli hava akışının olmaması yaralanmaya veya ölüme sebep olabilir.
- Yakıt tankı kapağını tamamen sıkın. Yakıt tankı kapağı sıkılmamışsa yangın riski vardır.
- Çalıştırmadan önce ürünü, yakıt tankını doldurduğunuz konumdan en az 3 m/10 ft uzağa taşıyın.
- Yakıt tankını tamamen doldurmayın. Isı yakıtın genişlemesine neden olur. Yakıt tankının üst kısmında boşluk bırakın.

#### Bakım için güvenlik talimatları



**UYARI:** Ürünü kullanmadan önce aşağıdaki uyarı talimatlarını okuyun.

- Motoru durdurun ve kesme donanımının durduğundan emin olun. Bakım yapmadan önce ürünün soğumasını bekleyin.
- Bakım gerçekleştirmeden önce buji kapağını çıkarın.
- Motordan gelen egzoz dumanı kokusuz, zehirli ve ölüme neden olabilecek son derece tehlikeli bir gaz olan karbon monoksit içerir. Ürünü iç mekânlarda veya kapalı alanlarda çalıştırmayın.
- Motordan çıkan egzoz dumanları sıcaktır ve kıvılcımlı olabilir. Ürünü kapalı yerlerde veya yanıcı maddelerin yakınında çalıştırmayın.
- Üretici tarafından onaylanmayan aksesuarlar ve değişiklikler ciddi yaralanmaya veya ölüme neden olabilir. Ürünü değiştirmeyin. Her zaman orijinal aksesuarları kullanın.
- Bakım doğru bir şekilde ve düzenli olarak yapılmazsa yaralanma ve ürünün hasar görme riski artar.
- Bakımı yalnızca bu kullanım kılavuzunda önerilen şekilde yapın. Tüm diğer servis işlemlerini onaylı bir Husqvarna servis noktasına yaptırın.
- Yetkili bir Husqvarna servis noktasının ürüne düzenli olarak servis işlemi uygulamasını sağlayın.
- Hasarlı, aşınmış veya bozuk parçaları değiştirin.

## Çalışma

### Giriş



**UYARI:** Ürünü kullanmadan önce güvenlik bölümünü okuyup anlayın.

5	0,10
10	0,20
15	0,30
20	0,40

### Yakıt

Bu üründen iki zamanlı motor bulunur.



**DİKKAT:** Yanlış tür yakıtın kullanımı motor hasarına neden olabilir. Benzin ve iki zamanlı motor yağı karışımı kullanın.



**DİKKAT:** Az miktarda yakıt karıştırırken yapılan küçük bir hata, karışımın oranını büyük ölçüde etkileyebilir. Doğru karışımı elde ettiğinizden emin olmak için yağ miktarını dikkatli bir şekilde ölçün.

### Hazır yakıt karışımı

- Motorun en iyi performansı göstermesi ve motor ömrünün uzaması için Husqvarna hazır alkilat yakıt kullanın. Zararlı egzoz dumanını azaltan bu yakıt, normal yakıta kıyasla daha az zararlı kimyasal içerir. Bu yakıt yanma sonrası daha az kalıntı bıraktığından, motor bileşenlerini daha temiz tutar.

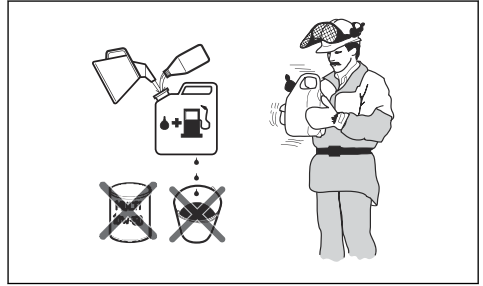
### Yakıtın karıştırılması

#### Benzin

- Maksimum %10 etanol içerikli iyi kalite kurşunsuz benzin kullanın.



**DİKKAT:** Oktan oranı 90 RON/87 AKI değerinin altında olan benzin kullanmayın. Daha düşük oktanlı benzinin kullanılması motorda vuruntuya ve hasarlara neden olabilir.



1. Benzinin yarısını temiz bir yakıt kabına doldurun.
2. Yağ miktarının tümünü ekleyin.
3. Yakıt karışımını çalkalayın.
4. Kalan benzin kaba ekleyin.
5. Yakıt karışımını dikkatlice çalkalayın.

#### İki zamanlı yağ

- En iyi sonuçlar ve performans için Husqvarna iki zamanlı yağ kullanın.
- Husqvarna iki zamanlı yağ yoksa hava soğutmalı motorlar için iyi kalitede başka bir iki zamanlı yağ kullanın. Doğru yağı seçmek için servis bayinizle iletişime geçin.



**DİKKAT:** Su soğutmalı dış motorlar için olan ve dış yağ olarak da bilinen iki zamanlı yağı kullanmayın. Dört zamanlı motor yağlarını kullanmayın.



**DİKKAT:** Tek seferde 1 aylıktan fazla yakıt karıştırmayın.

### Yakıt tankını doldurma

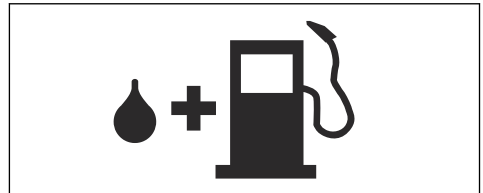


**UYARI:** Güvenliğiniz için aşağıdaki prosedüre uyun.

1. Motoru durdurun ve soğumasını bekleyin.
2. Yakıt tankı kapağının çevresini temizleyin.

### Benzinle iki zamanlı yağı karıştırma

Benzin, litre	İki zamanlı yağ, litre
	%2 (50:1)



3. Kabı sallayın ve yakıtın iyice karıştığından emin olun.
4. Basıncı tahliye etmek için yakıt tankı kapağını yavaşça çıkarın.
5. Yakıt tankını doldurun.



**DİKKAT:** Yakıt tankında çok fazla yakıt olmadığından emin olun. Yakıt ısındığında genleşir.

6. Yakıt tankının kapağını dikkatlice sıkın.
7. Ürünün üzerindeki ve çevresindeki yakıt kalıntılarını temizleyin.
8. Motoru çalıştırmadan önce ürünü yakıt ikmali alanından ve yakıt kaynağından en az 3 m/10 ft uzaklaştırın.

**Not:** Yakıt tankının ürününüzün neresinde olduğunu görmek için bkz. *Ürüne genel bakış sayfa: 357.*

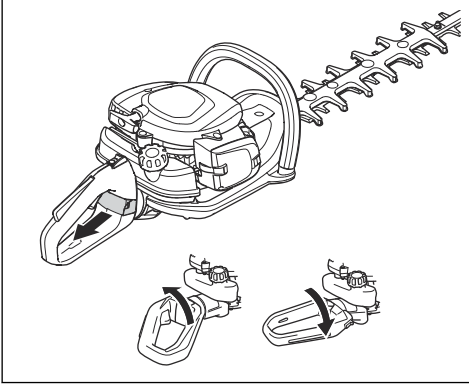
## Bıçak ucu korumasını takma

1. Bıçak ucundaki somunu ve civatayı çıkarın.
2. Bıçak ucu korumasını bıçak ucuna takın.
3. Civatayı takın ve 7 Nm değerine sıkın.
4. Somunu takın ve 5 Nm değerine sıkın.

## Tutma yerinin ayarlanması

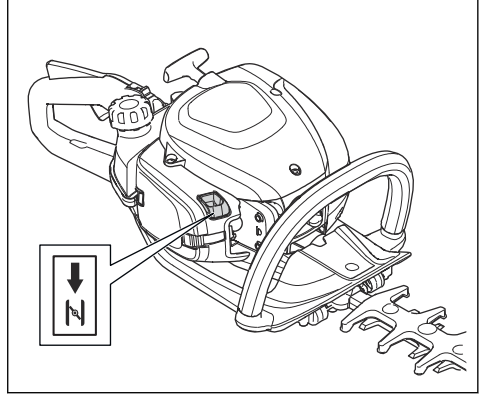
Arka tutma yeri 3 farklı konumda ayarlanabilir.

- Tutma yeri kilidini serbest bırakın ve tutma yerini çevirin.



## Ürünü motor soğukken çalıştırma

1. Jikle kontrolünü jikle konumuna çekin.



2. Yakıt pompası diyaframı haznesini yaklaşık 6 kez veya hazne yakıtla dolmaya başlayıncaya kadar itin. Yakıt pompası diyaframı haznesini tamamen doldurmak gerekmez.
3. Sol elinizle ürünün gövdesini zeminin üzerinde tutun. Ürünün üstüne basmayın.
4. Çalıştırma ipi tutma yerini sağ elinizle, direnç hissedinceye kadar yavaşça, daha sonra hızlı ve kuvvetli bir şekilde çekin.



**UYARI:** Çalıştırma ipini elinizle dolamayın.



**DİKKAT:** Çalıştırma ipini sonuna kadar çekmeyin ve çalıştırma ipi tutacağını elinizden bırakmayın.

5. Motor çalışana kadar çalıştırma ipi kolunu çekmeye devam edin, ardından jikle kontrolünü ilk konumuna itin.



**UYARI:** Motor başladığında bıçaklar hareket eder.

6. Çalıştırma ipi kolunu motor çalışana kadar çekmeye devam edin.
7. Motoru rölantiye ayarlamak için gaz tetiğini itip bırakın.
8. Motor hızını artırmak için gaz tetiğini kademeli olarak itin.
9. Motorun sorunsuz şekilde çalıştığından emin olun.

## Ürünü motor sıcakken çalıştırma

1. Sol elinizle ürünün gövdesini zeminin üzerinde tutun. Ürünün üstüne basmayın.

2. Çalıştırma ipi tutma yerini sağ elinizle, direnç hissedinceye kadar yavaşça, daha sonra hızlı ve kuvvetli bir şekilde çekin. Motor çalışana kadar devam edin.

**Not:** Ürünün nasıl çalıştırılacağı hakkında daha fazla bilgi için bkz. *Ürünü motor soğukken çalıştırma sayfa: 364.*

## Ürünü durdurma

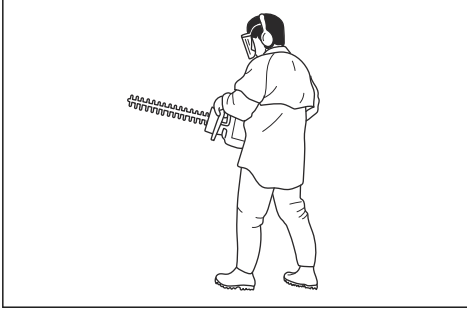
- Motoru durdurmak için durdurma anahtarını stop (durdurma) konumuna getirin.



**DİKKAT:** Durdurma anahtarı, otomatik olarak çalıştırma konumuna geri döner.

## Ürünü çalıştırma

1. Kenarları keserken zemine yakın yerden başlayın ve ürünü çit boyunca yukarı doğru hareket ettirin. Ürünün gövdesinin çite temas etmediğinden emin olun.



## Bakım

### Giriş



**UYARI:** Ürün üzerinde bakım yapmadan önce güvenlik bölümünü okuyup anlayın.

### Bakım takvimi

Bakım	Çalıştırmadan önce	40 saat sonra	100 saat sonra
Dış yüzeyi temizleyin.		Her çalıştırmadan sonra.	
Susturucuyu, egzoz borusunu ve motoru yapraklardan, kirden ve istenmeyen yağlardan arındırın.		Her çalıştırmadan sonra.	
Rölantideyken kesme donanımının hareket etmediğinden emin olun.	X		



**UYARI:** Kesme donanımının ön kısmının yere temas etmediğinden emin olun.

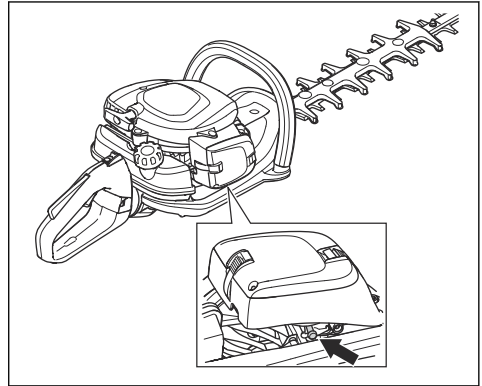
- Hızı iş yüküne uygun olarak ayarlayın.
- Dengeli bir çalışma konumu sağlamak için ürünü vücudunuza yakın tutun.
- Dikkatli olun ve ürünü yavaşça kullanın.

Bakım	Çalıştırmadan önce	40 saat sonra	100 saat sonra
Durdurma anahtarını kontrol edin.	X		
Kesme donanımında ve kesme donanımı siperliğinde hasar ve çatlak olup olmadığını kontrol edin. Hasarlıysa değiştirin.	X		
El koruyucusunda hasar ve çatlak olup olmadığını kontrol edin. Hasarlıysa değiştirin.	X		
Gaz tetiği kilidini ve gaz tetiğini kontrol edin.	X		
Motorda, yakıt tankında ve yakıt hatlarında kaçak olup olmadığına bakın.	X		
Somun ve vidaları sıkın.	X		
Yakıt filtresinin kirliliğinden veya yakıt hortumunda çatlak ya da başka kusurlar bulunmadığından emin olun. Gerekirse değiştirin.	X		
Marş motorunda ve marş ipinde hasar olup olmadığına bakın.		X	
Hava filtresini temizleyin. Gerekirse değiştirin.		X	
Titreşim azaltma birimlerinde hasar ve çatlak olup olmadığına bakın.		X	
Bujiyi kontrol edin; bkz. <i>Bujinin kontrol edilmesi sayfa: 367.</i>		X	
Soğutma sistemini temizleyin.		X	
Karbüratörün dış yüzeyini ve etrafındaki bölgeyi temizleyin.		X	
Kıvılcım önleyici ızgarayı temizleyin veya değiştirin.			X
Yakıt tankının iç yüzeyini temizleyin.			X
Bujiyi kontrol edin.			X
Dışli kovanının gresle dolu olduğundan emin olun.			X

## Rölantinin ayarlanması

1. Hava filtresini temizleyin ve hava filtresi kapağını takın.
2. Ürünü çalıştırın; bkz. *Ürünü motor soğukken çalıştırma sayfa: 364.*

3. Kesme donanımı hareket etmeye başlayana kadar rölanti ayar vidasını (T) saat yönünde çevirin.



4. Kesme donanımı durana kadar rölanti ayar vidasını saat yönünün tersine döndürün.



**UYARI:** Rölanti devrini ayarladığınızda kesme donanımı durmazsa en yakın servis bayinizle görüşün. Ürünü, doğru şekilde ayarlanana veya onarılanaya kadar kullanmayın.

**Not:** Motorun her konumda sorunsuz çalışması rölantinin doğru ayarlandığı anlamına gelir. Önerilen rölanti hızı için *Teknik veriler sayfada: 369* bölümüne bakın.

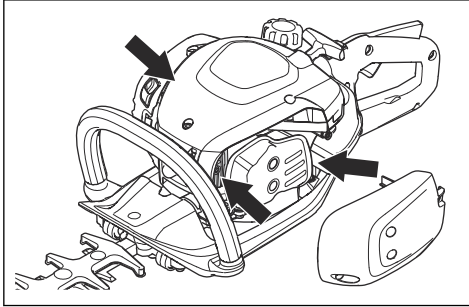
## Soğutma sistemini temizleme

Soğutma sistemi motor sıcaklığının düşük olmasını sağlar. Soğutma sisteminde silindir üzerindeki soğutma kanatları ve marş muhafazası bulunur.



**DİKKAT:** Yakıt tankı ile krank kutusu arasındaki hava girişi, yapraklarla kolayca tıkanır. Hava girişini tamamen temizleyin.

1. Soğutma sistemini haftada bir kez ya da gerekirse daha sık olmak üzere fırçayla temizleyin.
2. Soğutma sisteminin kirlî ya da tıkalı olmadığından emin olun.



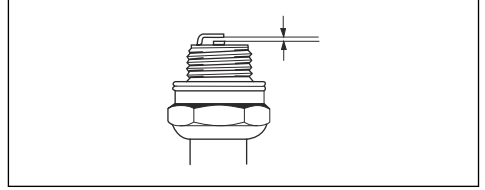
## Bujinin kontrol edilmesi



**DİKKAT:** Daima önerilen tipte buji kullanın. Yanlış buji türü ürüne zarar verebilir.

- Motor gücü düşüğe, çalıştırılması kolay değilse veya rölantide düzgün bir şekilde çalışmıyorsa bujiyi kontrol edin.
- Buji elektrotlarında istenmeyen nesne riskini azaltmak için şu talimatlara uyun:
  - a) Rölanti hızının doğru ayarlandığından emin olun.
  - b) Yakıt karışımının doğru olduğundan emin olun.
  - c) Hava filtresinin temiz olduğundan emin olun.

- Buji kirlîyse temizleyin ve elektrot boşluğunun doğru olduğundan emin olun, bkz. *Teknik veriler sayfada: 369*.

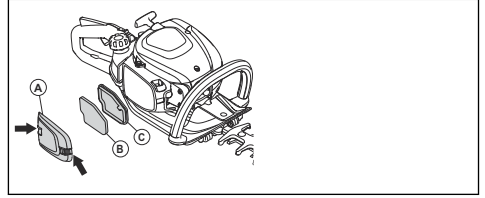


- Gerekirse bujiyi değiştirin.

## Hava filtresinin temizlenmesi

Hava filtresindeki kirlî ve tozu düzenli olarak temizleyin. Bu işlem karbüratör arızalarını, marş sorunlarını, motor gücü kaybını, motor parçalarındaki aşınmayı ve normalden daha fazla yakıt tüketimini engeller.

1. Hava filtresi kapağını (A) çıkarın.
2. Köpük filtreyi (B) ve keçe filtreyi (C) filtre çerçevesinden çıkarın.



3. Keçe filtreyi (C) değiştirin.
4. Köpük filtreyi (B) ılık sabunlu suyla temizleyin.

**Not:** Uzun süre kullanılan hava filtresi tamamen temizlenemez. Hava filtresini düzenli olarak değiştirin; kusurlu hava filtresini mutlaka değiştirin.

5. Köpük filtresinin (B) kuru olduğundan emin olun.
6. Köpük filtresine (B) hava filtresi yağı uygulayın. Bkz. *Hava filtresine yağ uygulanması sayfada: 367*
7. Hava filtresi kapağının (A) iç yüzeyini temizleyin. Basınçlı hava veya bir fırça kullanın.

## Hava filtresine yağ uygulanması



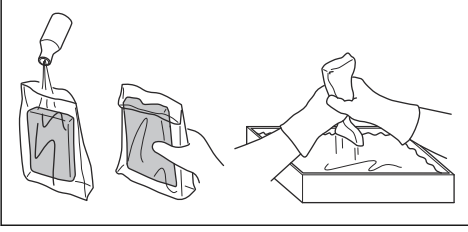
**DİKKAT:** Her zaman Husqvarna özel hava filtresi yağını kullanın. Diğer yağ türlerini kullanmayın.



**UYARI:** Koruyucu eldivenleri giyin. Hava filtresi yağlı ciltte tahrişe neden olabilir.

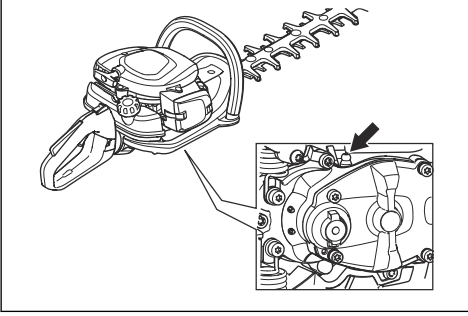
1. Hava filtresini plastik bir torbaya koyun.
2. Yağı plastik torbaya koyun.

3. Yağın, hava filtresinin her yerine eşit olarak yayıldığından emin olmak için plastik torbayı ovuşturun.
4. Plastik torbadayken istenmeyen yağlı hava filtresinden itin.



### Dişli kovanını yağlama

- Husqvarna özel gresini kullanın. Önerilen gres hakkında daha fazla bilgi için servis bayinizle görüşün.
- Gresi gres memesinden ekleyin.



**DİKKAT:** Dişli kovanını tamamen doldurmayın.

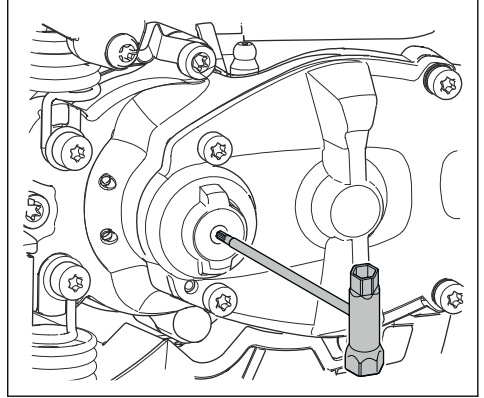
### Bıçakları temizleme ve yağlama

1. Ürünü kullanmadan önce ve kullandıktan sonra bıçaklardaki istenmeyen maddeleri temizleyin.
2. Uzun süreli depolama öncesinde bıçakları yağlayın.

**Not:** Önerilen temizleme maddesi ve yağlar hakkında daha fazla bilgi için servis bayinizle görüşün.

### Bıçakların kontrol edilmesi

1. Dişli kovanı üzerindeki kapağı çıkarın.
2. Bıçakların serbestçe hareket ettiğinden emin olun. Kombine anahtarı dişli kovanına yerleştirip saat yönünde ve saat yönünün tersine döndürün.



3. Bıçakların kenarlarında hasar veya deformasyon olup olmadığını kontrol edin.
4. Bıçakların üzerindeki çapakları bir eğeyle giderin.

## Taşıma, depolama ve atma

### Taşıma ve saklama

- Depolamadan önce mutlaka ürünün soğumasını bekleyin.
- Ürün ile yakıtı taşımak ve saklamak için sızıntı veya duman olmadığından emin olun. Örneğin, elektrikli cihazlardan veya kazanlardan kaynaklanan kıvılcım veya açık alevler yangın çıkarabilir.
- Yakıtı taşımak ve saklamak için her zaman onaylı kaplar kullanın.
- Taşımadan veya uzun süreli depolamadan önce yakıtı boşaltın. Yakıtı uygun bir çöp atma merkezinde bertaraf edin.

- Taşıma ve saklama sırasında taşıma siperliğini takın.
- Buji kapağını bujiden çıkartın.
- Ürünü taşıma sırasında takın. Oynamadığından emin olun.
- Uzun süre için depoya kaldırmadan önce ürünü temizleyip bakımını yapın.



## Teknik veriler

### Teknik veriler

	522HD60X	522HDR60X	522HDR75X
<b>Motor</b>			
Silindir hacmi, cm <sup>3</sup>	21,7	21,7	21,7
Rölanti, dev/dak	3.000	3.000	3.000
Önerilen maksimum devir, dev/dak	9200	9200	9200
ISO 8893'e göre maksimum motor gücü, dev/dak'da kW/hp	7800 dev/dak'da 0,6/0,8	7800 dev/dak'da 0,6/0,8	7800 dev/dak'da 0,6/0,8
Katalitik konvertör susturucusu	Evet	Evet	Evet
<b>Ateşleme sistemi</b>			
Buji	NGK CMR6A	NGK CMR6A	NGK CMR6A
Elektrot boşluğu, mm	0,5	0,5	0,5
<b>Yakıt</b>			
Yakıt tankı kapasitesi, l/cm <sup>3</sup>	0,45/450	0,45/450	0,45/450
<b>Ağırlık</b>			
Yakıtsız, kg	4,9	5,0	5,2
<b>Gürültü yayma</b> <sup>73</sup>			
Ses gücü seviyesi, ölçülmüş dB (A)	101	101	101
Ses gücü seviyesi, L <sub>WA</sub> dB (A) garantili	102	102	102
<b>Ses seviyeleri</b> <sup>74</sup>			
EN ISO 10517'e göre ölçülen operatörün kulağında oluşan eşdeğer ses basınç düzeyi, dB(A)	93	93	93
<b>Titreşim seviyeleri</b> <sup>75</sup>			
EN ISO 10517 uyarınca tutma yerlerinde ölçülen eşdeğer titreşim düzeyleri (a <sub>nv,eq</sub> ), m/sn <sup>2</sup> :			
Ön/Arka, mm/sn <sup>2</sup>	2,7/1,2	2,8/1,3	2,1/2,2
<b>Bıçaklar</b>			
Tip	Çift taraflı	Çift taraflı	Çift taraflı
Kesme uzunluğu, mm	600	600	750

<sup>73</sup> 2000/14/AT sayılı AT direktifi uyarınca ses gücü (L<sub>WA</sub>) olarak çevrede ölçülen gürültü yayma seviyesi. Ürün için bildirilen ses gücü seviyesi, en yüksek ses gücü seviyesi çıkışlı orijinal kesme donanımıyla ölçülmüştür. Garanti edilen ve ölçülen ses gücü arasındaki fark, garantili ses gücünün 2000/14/AT Sayılı Direktif doğrultusunda ölçüm sonucundaki dağılımı ve aynı modelin farklı ürünleri arasındaki değişimleri de içermesidir.

<sup>74</sup> Ses basınç düzeyi için bildirilen verilerdeki tipik istatistik dağılımı (standart sapma) 1 dB (A) şeklindedir.

<sup>75</sup> Titreşim düzeyi için bildirilen verilerin tipik istatistik dağılımı (standart sapması) 1 m/s<sup>2</sup> şeklindedir.

	<b>522HD60X</b>	<b>522HDR60X</b>	<b>522HDR75X</b>
Kesme hızı, kesme/dak	4400	3200	3200

# Uyumluluk Bildirimi

## AB Uyumluluk Bildirimi

Biz, **Husqvarna AB**, SE-561 82 Huskvarna, İsveç, tel: +46-36-146500 olarak tek sorumlu vasfıyla ürüne ilişkin aşağıdaki beyanlarda bulunmaktayız:

<b>Açıklama</b>	Çit düzeltici
<b>Marka</b>	Husqvarna
<b>Tip/Model</b>	522HD60X, 522HDR60X, 522HDR75X
<b>Kimlik</b>	2022 ve sonrası tarihli seri numaraları

aşağıdaki AB direktifleri ve yönetmelikleriyle tamamen uyumludur:

Düzenleme	Açıklama
2006/42/AT	"makinelele ilgili"
2014/30/AB	"elektromanyetik uyumlulukla ilgili"
2000/14/AT	"çevredeki gürültü emisyonlarıyla ilgili"
2011/65/AB	"elektrikli ve elektronik ekipmanlarda belirli tehlikeli maddelerin kullanımının kısıtlanmasıyla ilgili"

ve aşağıdaki standartlar ve/veya teknik özellikler uygulanmıştır: EN ISO 12100:2021, CISPR 12: 2009, EN ISO 10517:2009/A1:2013, EN IEC 63000:2018.

RISE SMP Svensk Maskinprovning AB, ; Husqvarna AB adına gönüllü olarak tip incelemesi gerçekleştirmiştir. Sertifika numarası: SEC/18/2518.

RISE SMP Svensk Maskinprovning AB, 8 Mayıs 2000 tarihli "çevredeki gürültü emisyonlarıyla ilgili" 2000/14/AT Konsey Direktifi'ne uygunluğu onaylamıştır. Sertifika numaraları: 01/094/026-522HD60X, 01/094/027-522HDR60X, 522HDR75X.

Gürültü emisyonları ile ilgili bilgi için bkz. *Teknik veriler sayfa: 369*.

Huskvarna, 2022-05-09

Stefan Holmberg, AR-GE Direktörü, Teknoloji Yönetimi, Husqvarna AB

Teknik dokümantasyon sorumlusu

Türk ithalat şirketi daha fazla bilgi için temas edilecek:  
Çullas Orman Bahçe ve Tarım Mak. San. Tic. A.Ş.  
Suadiye Mh. Bağdat Cd. No:455/4  
Kadıköy – 34740 İstanbul / Türkiye  
Telefon: +90 216 519 88 82  
Faks: +90 216 519 88 78  
info@cullas.com.tr





FR

Cet appareil,  
ses cordons,  
et batterie  
se recyclent

À DÉPOSER  
EN MAGASIN

OU

À DÉPOSER  
EN DÉCHÈTERIE

Points de collecte sur [www.quefairedemesdechets.fr](http://www.quefairedemesdechets.fr)  
Privilégiez la réparation ou le don de votre appareil !

# Husqvarna®

[www.husqvarna.com](http://www.husqvarna.com)

Original instructions  
Оригинални инструкции  
Původní pokyny  
Originale instruktioner  
Originalanweisungen  
Αρχικές οδηγίες  
Instrucciones originales  
Originaaljuhend  
Alkuperäiset ohjeet

Instructions d'origine  
Originalne upute  
Eredeti útmutatás  
Istruzioni originali

Originalios instrukcijos  
Lietošanas pamācība  
Originale instructies  
Originale instruksjoner  
Oryginalne instrukcje  
Instrucções originais  
Instrucțiuni inițiale  
Оригинальные инструкции  
Põlvodné pokyny  
Izvirna navodila  
Bruksanvisning i original  
Orjinal talimatlar



1143201-38



2022-05-31