



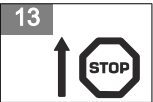
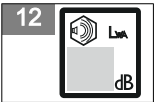
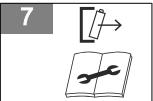
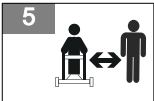
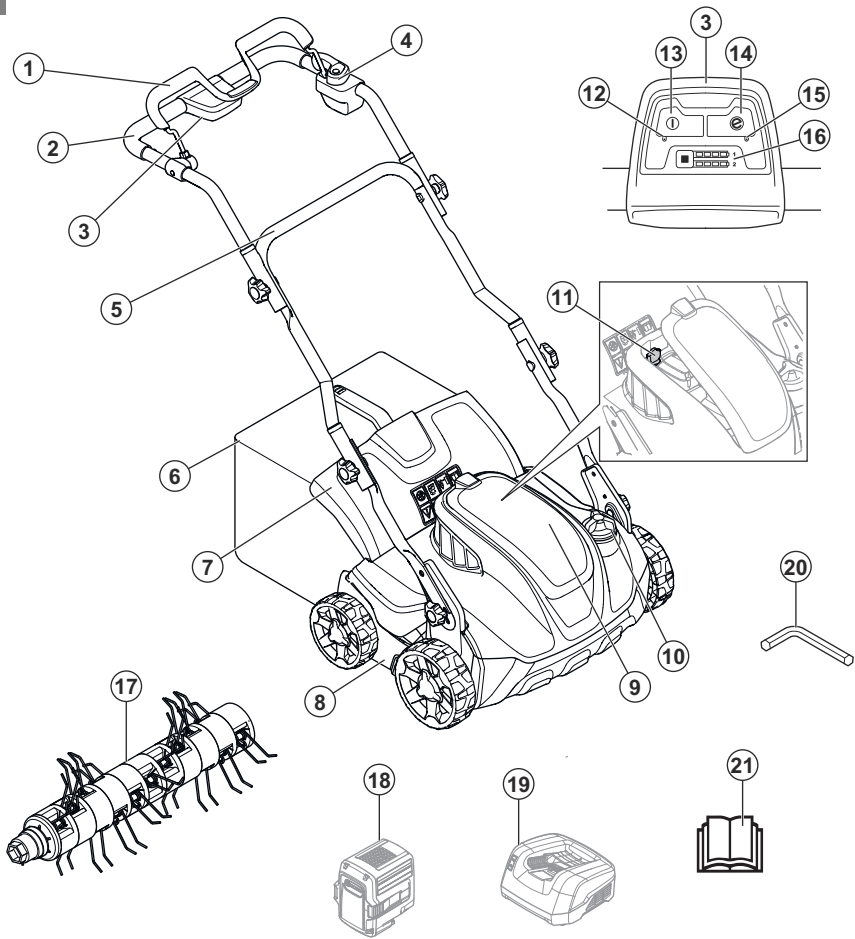
# Husqvarna®



## S 138i



EN	Operator's manual	7-22
BG	Ръководство за експлоатация	23-40
CS	Návod k použití	41-55
DA	Brugsanvisning	56-70
DE	Bedienungsanweisung	71-88
EL	Οδηγίες χρήσης	89-106
ES	Manual de usuario	107-123
ET	Kasutusjuhend	124-138
FI	Käyttöohje	139-153
FR	Manuel d'utilisation	154-170
HR	Priručnik za korištenje	171-185
HU	Használati utasítás	186-201
IT	Manuale dell'operatore	202-217
LT	Operatoriaus vadovas	218-233
LV	Lietošanas pamācība	234-249
NL	Gebbruiksaanwijzing	250-265
NO	Bruksanvisning	266-280
PL	Instrukcja obsługi	281-297
PT	Manual do utilizador	298-314
RO	Instrucțiuni de utilizare	315-330
RU	Руководство по эксплуатации	331-349
SK	Návod na obsluhu	350-365
SL	Navodila za uporabo	366-381
SR	Priručnik za rukovaoca	382-396
SV	Bruksanvisning	397-411
TR	Kullanım kılavuzu	412-426
UK	Посібник користувача	427-443
JA	取扱説明書	444-458



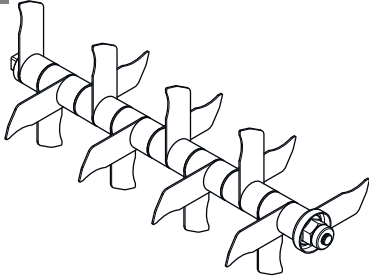
15



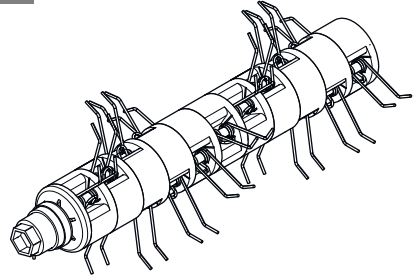
16



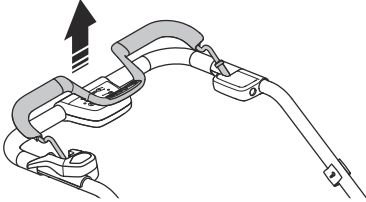
17



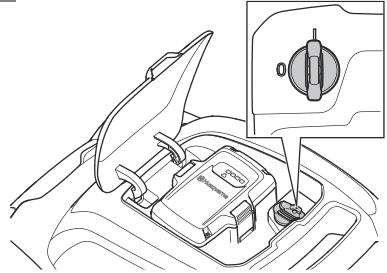
18



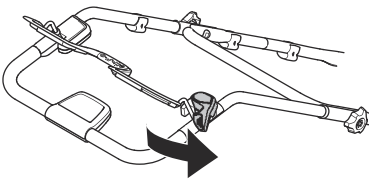
19



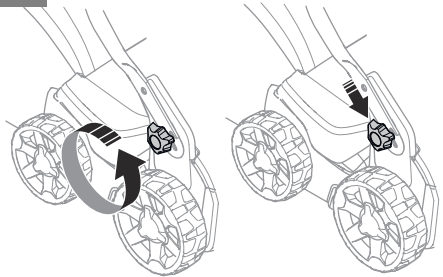
20



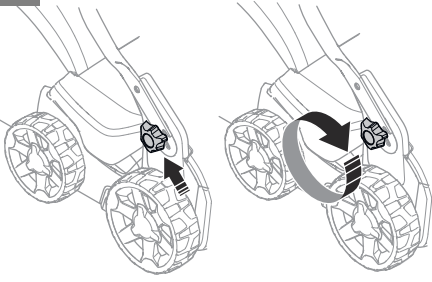
21



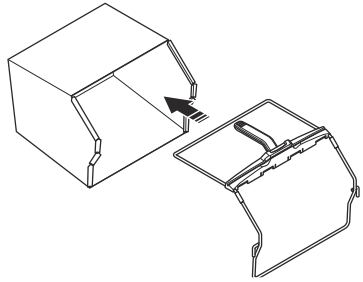
22



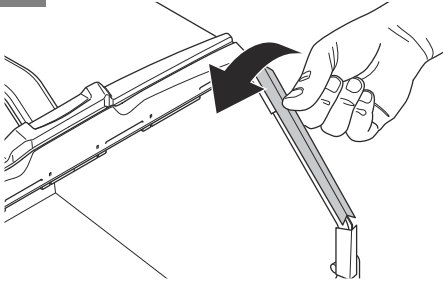
23



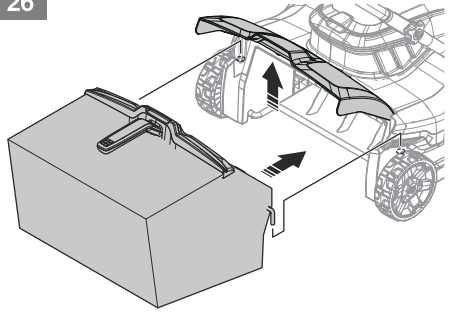
24



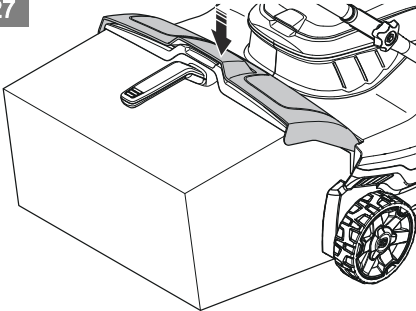
25



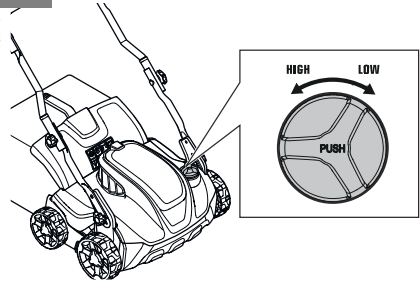
26



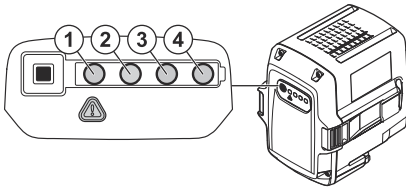
27



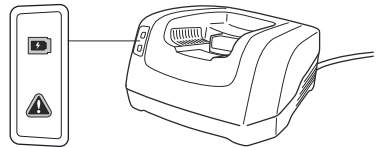
28



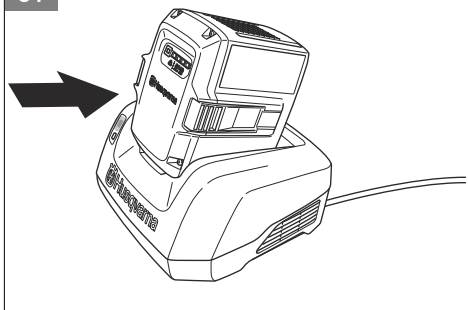
29



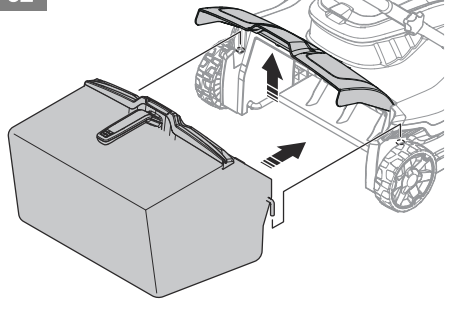
30



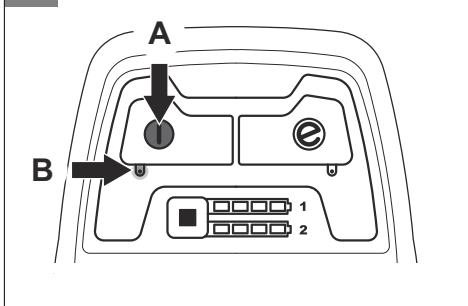
31



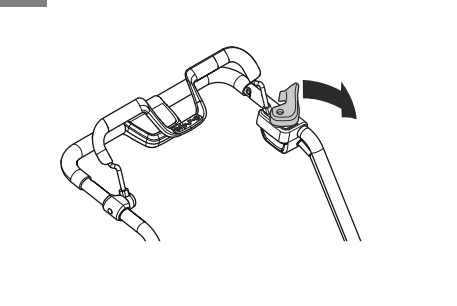
32



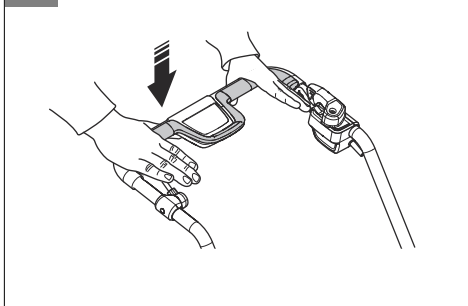
33



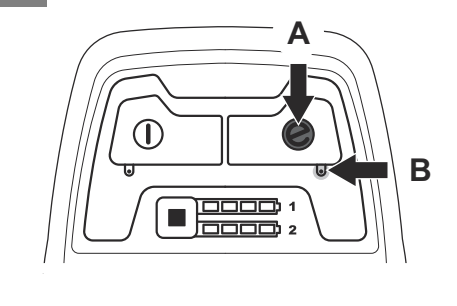
34



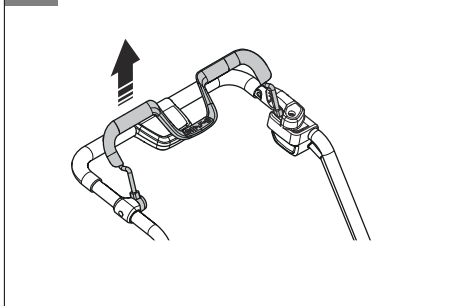
35



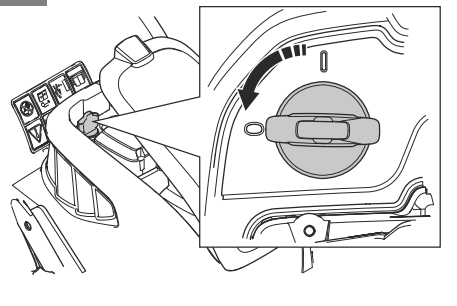
36



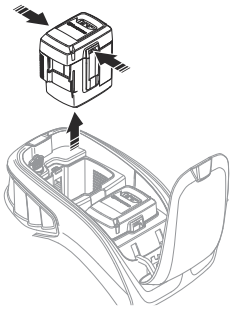
37



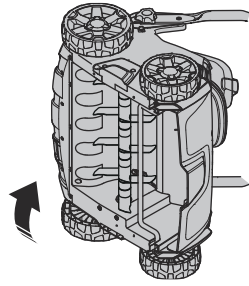
38



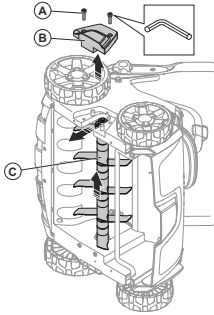
39



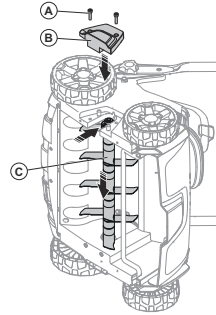
40



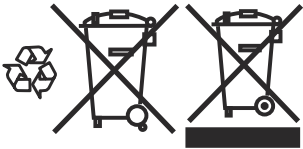
41



42



43



---

# Contents

---

Introduction.....	7	Troubleshooting.....	16
Safety.....	8	Transportation, storage and disposal.....	17
Assembly.....	13	Technical data.....	18
Operation.....	13	Declaration of Conformity.....	20
Maintenance.....	15		

---

## Introduction

---

### Product description

The product is a pedestrian-controlled electrical dethatcher. The product removes thatch from the lawn and loosens the soil to let air and water into the lawn. The thatch is collected in a grass catcher or is released on to the lawn. The product has 2 types of dethatcher equipment.

### Dethatcher equipment

Refer to *To replace the dethatcher equipment on page 16* for information on how to replace the dethatcher equipment.

### Blade tines

The blade tines remove thatch and cut the grass roots vertically. Use the blade tines on slopes, terraces and in

soils that have a high quantity of clay. The blade tines let the water go down into the lawn and prevent that water collects on the surface

(Fig. 17)

### Spring tines

The spring tines carefully remove dead grass and thatch from the lawn with no damage to the grass roots.

(Fig. 18)

### Intended use

Use the product to remove thatch and moss and to loosen the soil in private gardens. Do not use the product for other tasks.

### Product overview

(Fig. 1)

1. Motor brake handle
2. Upper handle
3. Control panel
4. Start inhibitor
5. Lower handle
6. Grass catcher
7. Rear cover
8. Dethatcher cover
9. Battery lid
10. Adjustment knob for the work depth
11. Safety key
12. ON/OFF indicator LED
13. ON/OFF button
14. SavE button
15. SavE indicator LED
16. Battery charge indicator and battery button
17. Spring tines
18. Battery (Accessory)
19. Battery charger (Accessory)
20. Hex key
21. Operator's manual

### Symbols on the product

(Fig. 2)      WARNING

(Fig. 3)      Read the instructions.

(Fig. 4)      WARNING - Beware of thrown objects.

(Fig. 5)      Keep bystanders away.

(Fig. 6)      WARNING - Keep hands and feet away from the tines.

(Fig. 7)      Disconnect the battery before maintenance.

(Fig. 8)      Do not expose to rain.

(Fig. 9)      This product has protection against splashing water.

(Fig. 10)      This product is in accordance with applicable EC directives.

(Fig. 11)      This product conforms to the applicable UK regulations.

(Fig. 12) Noise emission to the environment label as per EU and UK directives and regulations, and New South Wales legislation "Protection of the Environment Operations (Noise Control) Regulation 2017". The guaranteed sound power level of the product is specified in *Technical data on page 18* and on the label.

(Fig. 15) Recycle this product at a recycling location for electrical and electronic equipment. (Applies to Europe only)

(Fig. 16) Start procedure: push the ON/OFF button, loosen the start inhibitor, push the motor brake handle down.

(Fig. 13) Release the motor brake handle to stop.

(Fig. 14) Scannable code.

---

**Note:** Other symbols/decals on the product refer to certification requirements for some markets.

---

## Product damage

We are not responsible for damages to our product if:

- the product is incorrectly repaired.
- the product is repaired with parts that are not from the manufacturer or not approved by the manufacturer.
- the product has an accessory that is not from the manufacturer or not approved by the manufacturer.
- the product is not repaired at an approved service center or by an approved authority.

---

# Safety

---

## Safety definitions

Warnings, cautions and notes are used to point out specially important parts of the manual.



**WARNING:** Used if there is a risk of injury or death for the operator or bystanders if the instructions in the manual are not obeyed.



**CAUTION:** Used if there is a risk of damage to the product, other materials or the adjacent area if the instructions in the manual are not obeyed.

**Note:** Used to give more information that is necessary in a given situation.

## General product safety warnings



**WARNING:** Read all safety warnings, instructions, illustrations and specifications provided with this product. Failure to follow all instructions listed below may result in electric shock, fire and/or serious injury.

**Save all warnings and instructions for future reference.** The term "product" in the warnings refers to your mains-operated (corded) product or battery-operated (cordless) product.

### Work area safety

- **Keep work area clean and well lit.** Cluttered or dark areas invite accidents.

- **Do not operate the product in explosive atmospheres, such as in the presence of flammable liquids, gases or dust.** The product creates sparks which may ignite the dust or fumes.
- **Keep children and bystanders away while operating the product.** Distractions can cause you to lose control.

### Personal safety

- **Stay alert, watch what you are doing and use common sense when operating a product. Do not use a product while you are tired or under the influence of drugs, alcohol or medication.** A moment of inattention while operating products may result in serious personal injury.
- **Use personal protective equipment. Always wear eye protection.** Protective equipment such as dust mask, non-skid safety shoes, hard hat or hearing protection used for appropriate conditions will reduce personal injuries.
- **Prevent unintentional starting. Ensure the switch is in the off-position before connecting to power source and/or battery pack, picking up or carrying the product.** Carrying products with your finger on the switch or energising products that have the switch on invites accidents.
- **Remove any adjusting key or wrench before turning the product on.** A wrench or a key left attached to a rotating part of the product may result in personal injury.
- **Do not overreach. Keep proper footing and balance at all times.** This enables better control of the product in unexpected situations.
- **Dress properly. Do not wear loose clothing or jewellery. Keep your hair and clothing away from**



**moving parts.** Loose clothes, jewellery or long hair can be caught in moving parts.

- **If devices are provided for the connection of dust extraction and collection facilities, ensure these are connected and properly used.** Use of dust collection can reduce dust-related hazards.
- **Do not let familiarity gained from frequent use of products allow you to become complacent and ignore product safety principles.** A careless action can cause severe injury within a fraction of a second.

## Product use and care

- **Do not force the product. Use the correct product for your application.** The correct product will do the job better and safer at the rate for which it was designed.
- **Do not use the product if the switch does not turn it on and off.** Any product that cannot be controlled with the switch is dangerous and must be repaired.
- **Disconnect the plug from the power source and/or remove the battery pack, if detachable, from the product before making any adjustments, changing accessories, or storing products.** Such preventive safety measures reduce the risk of starting the product accidentally.
- **Store idle products out of the reach of children and do not allow persons unfamiliar with the product or these instructions to operate the product.** Products are dangerous in the hands of untrained users.
- **Maintain products and accessories. Check for misalignment or binding of moving parts, breakage of parts and any other condition that may affect the product's operation. If damaged, have the product repaired before use.** Many accidents are caused by poorly maintained products.
- **Keep cutting tools sharp and clean.** Properly maintained cutting tools with sharp cutting edges are less likely to bind and are easier to control.
- **Use the product, accessories and tool bits etc. in accordance with these instructions, taking into account the working conditions and the work to be performed.** Use of the product for operations different from those intended could result in a hazardous situation.
- **Keep handles and grasping surfaces dry, clean and free from oil and grease.** Slippery handles and grasping surfaces do not allow for safe handling and control of the product in unexpected situations.

## Battery tool use and care

- **Recharge only with the charger specified by the manufacturer.** A charger that is suitable for one type of battery pack may create a risk of fire when used with another battery pack.
- **Use products only with specifically designated battery packs.** Use of any other battery packs may create a risk of injury and fire.
- **When battery pack is not in use, keep it away from other metal objects, like paper clips, coins, keys,**

**nails, screws or other small metal objects, that can make a connection from one terminal to another.**

Shorting the battery terminals together may cause burns or a fire.

- **Under abusive conditions, liquid may be ejected from the battery; avoid contact. If contact accidentally occurs, flush with water. If liquid contacts eyes, additionally seek medical help.** Liquid ejected from the battery may cause irritations or burns.
- **Do not use a battery pack or tool that is damaged or modified.** Damaged or modified batteries may exhibit unpredictable behavior resulting in fire, explosion or risk of injury.
- **Do not expose a battery pack or tool to fire or excessive temperature.** Exposure to fire or temperature above 130 °C / 265 °F may cause explosion.
- **Follow all charging instructions and do not charge the battery pack or tool outside the temperature range specified in the instructions.** Charging improperly or at temperatures outside the specified range may damage the battery and increase the risk of fire.

## Service

- **Have your product serviced by a qualified repair person using only identical replacement parts.** This will ensure that the safety of the product is maintained.
- **Never service damaged battery packs.** Service of battery packs should only be performed by the manufacturer or authorized service providers.

## Product safety warnings

- **Do not use the product in bad weather conditions, especially when there is a risk of lightning.** This decreases the risk of being struck by lightning.
- **Thoroughly inspect the area for wildlife where the product is to be used.** Wildlife may be injured by the product during operation.
- **Thoroughly inspect the area where the product is to be used and remove all stones, sticks, wires, bones, and other foreign objects.** Thrown objects can cause personal injury.
- **Before using the product, always visually inspect to see that the tines and the tines assembly are not worn or damaged.** Worn or damaged parts increase the risk of injury.
- **Check the grass catcher frequently for wear or deterioration.** A worn or damaged grass catcher may increase the risk of personal injury.
- **Keep guards in place. Guards must be in working order and be properly mounted.** A guard that is loose, damaged, or is not functioning correctly may result in personal injury.
- **Keep all cooling air inlets clear of debris.** Blocked air inlets and debris may result in overheating or risk of fire.

- **While operating the product, always wear non-slip and protective footwear. Do not operate the product when barefoot or wearing open sandals.** This reduces the chance of injury to the feet from contact with the moving tines.
- **While operating the product, always wear long trousers.** Exposed skin increases the likelihood of injury from thrown objects.
- **Do not operate the product in wet grass. Walk, never run.** This reduces the risk of slipping and falling which may result in personal injury.
- **Do not operate the product on excessively steep slopes.** This reduces the risk of loss of control, slipping and falling which may result in personal injury.
- **When working on slopes, always be sure of your footing, always work across the face of slopes, never up or down and exercise extreme caution when changing direction.** This reduces the risk of loss of control, slipping and falling which may result in personal injury.
- **Use extreme caution when reversing or pulling the product towards you. Always be aware of your surroundings.** This reduces the risk of tripping during operation.
- **Hold the product by insulated gripping surfaces only, because the tines may contact hidden wiring or its own cord.** Tines contacting a "live" wire may make exposed metal parts of the machine "live" and could give the operator an electric shock.
- **Do not touch tines and other hazardous moving parts while they are still in motion.** This reduces the risk of injury from moving parts.
- **When clearing jammed material or cleaning the product, make sure all power switches are off and the battery pack is disconnected.** Unexpected operation of the product may result in serious personal injury.
- Keep in mind that the operator will be held responsible for accidents that involve other persons or their property.
- Keep the product clean. Make sure that you can clearly read signs and decals.
- Never allow children or people unfamiliar with these instructions to use the appliance. Local regulations may restrict the age of the operator.
- Always monitor a person, with decreased physical capacity or mental capacity, that uses the product. A responsible adult must be there at all times.
- Do not use the product if you are tired, ill, or under the influence of alcohol, drugs or medicine. This has a negative effect on your vision, alertness, coordination and judgment.
- Do not use the product if it is damaged or does not operate correctly.
- Do not change this product or use it if it is possible that it has been changed by others.

---

## Work safety



**WARNING:** Read the warning instructions that follow before you use the product.

---

- Use this product to remove thatch and moss from grass lawns only. It is not permitted to use it for other tasks.
- Use personal protective equipment. Refer to *Personal protective equipment on page 11*.
- Make sure that you know how to stop the motor quickly in an emergency.
- Do not operate the product in rain or wet conditions. This may increase the risk of electric shock.
- Do not operate the product unless the tines and all covers are attached correctly. Incorrectly attached tines can come loose and cause personal injury.
- Make sure that the tines do not hit objects such as stones and roots. This can do damage to the tines and bend the motor shaft. A bent axle causes heavy vibration and a very high risk that the tines becomes loose.
- If the tines hit an object or if vibrations occur, stop the product immediately. Stop the motor, turn the safety key to 0 and remove the battery. Wait until moving parts stop. Examine the product for damages. Tighten loose parts. Repair damages and replace damaged parts. Let an approved service agent do the repair.
- Never attach the motor brake handle permanently to the handle when the motor is started.
- Put the product on a stable, flat surface and start it. Make sure that the tines do not hit the ground or other objects.
- Always stay behind the product when you operate it.
- Let all the wheels stay on the ground and keep 2 hands on the handle when you operate the product.

---

## General safety instructions



**WARNING:** Read the warning instructions that follow before you use the product.

---

- This product is dangerous if used incorrectly or if you are not careful. Injury or death can occur if you do not obey the safety instructions.
- This product produces an electromagnetic field during operation. This field may under some circumstances interfere with active or passive medical implants. To reduce the risk of serious or fatal injury we recommend persons with medical implants to consult their physician and the medical implant manufacturer before operating this product.
- Always be careful and use your common sense. If you are not sure how to operate the product in a special situation, stop and speak to your Husqvarna dealer before you continue.

Keep your hands and feet away from the rotating tines.

- Do not tilt the product when you start the motor or during operation of the product.
- Be careful when you pull the product rearward.
- Never lift up the product when the motor is started. If you must lift the product, first stop the motor, turn the safety key to 0 and remove the battery.
- Do not walk rearward when you operate the product.
- Stop the motor when it is necessary to tilt the product for transportation or before you move across areas without grass, for example paths made of gravel, stone and asphalt.
- Do not run with the product when the motor is started. Always walk when you operate the product.
- Stop the motor before you change the work depth. Never make adjustments with the motor started.
- Never let the product stay out of view with the motor started. Stop the motor, turn the safety key to 0 and remove the battery. Make sure that the dethatcher equipment does not rotate.
- The vibrations in the product during operation can be different from the declared vibration value in *Technical data on page 18*. The difference is caused by variations in how the product is used. If you operate the product frequently or for long periods of time, take breaks regularly to prevent injury from vibrations.

## Safety instructions for operation

### Personal protective equipment



**WARNING:** Read the warning instructions that follow before you use the product.

- Personal protective equipment cannot fully prevent injury but it decreases the degree of injury if an accident does occur. Let your dealer help you select the right equipment.
- Use heavy-duty slip-resistant boots or shoes. Do not use open shoes or go with bare feet.
- Use heavy, long pants.
- Use protective gloves when necessary, for example when you attach, examine or clean the cutting equipment.
- We recommend to use hearing protection.

### Safety devices on the product



**WARNING:** Read the warning instructions that follow before you use the product.

- Do not use a product with safety devices that are damaged or do not operate correctly.
- Do not remove or do modifications to safety devices.

- Do a check of the safety devices regularly. If the safety devices are damaged or do not operate correctly, speak to your Husqvarna service agent.

### To do a check of the covers

The dethatcher cover decreases vibrations in the product and decreases the risk of injury from the dethatcher equipment.

- Examine the side dethatcher cover to make sure that there are no damages such as cracks.
- Examine the rear cover to make sure that there are no damages such as cracks.

### Motor brake handle

The motor brake handle stops the motor. When the motor brake handle is released, the motor stops.

To do a check of the motor brake, start the motor and then release the motor brake handle. If the motor does not stop in 3 seconds, let an approved Husqvarna service agent adjust the motor brake.

(Fig. 19)

### Safety key

The safety key is found below the battery lid. The safety key is used to connect the battery that supplies the motor with power.

- Start and stop the motor to do a check of the safety key.
- If the safety key functions correctly, the motor starts only when the key is turned to 1.

(Fig. 20)

### To examine the start inhibitor

Do a check of the start inhibitor to make sure that it prevents operation of the motor.

1. Push the motor brake handle in the direction of the handlebar. The start inhibitor stops the movement.
2. Push the start inhibitor out. (Fig. 21)
3. Release the start inhibitor and make sure that it goes back to its initial position.

### Battery safety



**WARNING:** Read the warning instructions that follow before you use the product.

- Use Husqvarna rechargeable batteries as a power supply for related Husqvarna products only. To prevent injury, do not use the battery as a power supply for other devices.
- Do not use non-rechargeable batteries.
- Risk of electrical shock. Do not connect the battery terminals to keys, coins, screws or other metal. This can cause a short circuit of the battery.
- Do not put objects into the air slots of the battery.

- Keep the battery away from sunlight, heat or open flame. The battery can explode and cause burns and/or chemical burns.
- Keep the battery away from rain and wet conditions.
- Keep the battery away from microwaves and high pressure.
- Do not try to disassemble or break the battery.
- If the battery leaks, do not let the liquid touch your body or eyes. If you have touched the liquid, clean the area with a large quantity of water and get medical aid.
- Use the battery in the product only when the ambient temperature is between 5 °C - 40 °C.
- Use the battery charger only when the ambient temperature is between 5 °C - 40 °C.
- The battery will not charge if the battery temperature is more than 50 °C.
- Do not clean the battery or the battery charger with water. Refer to *Battery on page 16*.
- Do not use a damaged battery.
- Keep batteries in storage away from metal objects such as nails, coins, jewellery.

### Battery charger safety



**WARNING:** Read the warning instructions that follow before you use the product.

- Use the QC battery chargers to charge Husqvarna replacement batteries only.
- Risk of electrical shock or short circuit. Do not put objects into the air slots of the charger. Do not try to disassemble the battery charger. Do not connect the charger terminals to metal objects. Use an approved mains socket.
- This product produces an electromagnetic field during operation. This field may under some circumstances interfere with active or passive medical implants. To reduce the risk of serious or fatal injury, we recommend persons with medical implants to consult their physician and the medical implant manufacturer before operating this product.
- Regularly make sure that the power cord of the battery charger is not damaged and that there are no cracks in it.
- Do not lift the battery charger by the power cord. To disconnect the battery charger from a mains socket, pull out the plug. Do not pull the power cord.
- Keep the power cord and extension cables away from water, oil and sharp edges. Make sure that the cable is not pinched in doors, fences or equivalent. It can cause the charger to become energized.
- Do not clean the battery charger with water.
- The battery charger can be used by children aged from 8 years and above and persons with reduced

- physical, sensory, or mental capabilities or lack of experience and knowledge if they have been given supervision or instruction concerning use of the battery charger in a safe way and understand the hazards involved. Children shall not play with the battery charger. Cleaning and user maintenance shall not be made by children without supervision.
- Do not charge non-rechargeable batteries in the battery charger.
- Do not use the battery charger near flammable materials or materials that can cause corrosion. Do not cover the battery charger. Pull out the plug to the battery charger if there is smoke or fire.
- Do not use a defective or damaged battery charger.
- Only charge the battery indoors in a room with good airflow and away from sunlight. Do not charge the battery in wet conditions.

### Safety instructions for maintenance



**WARNING:** Read the warning instructions that follow before you use the product.

- To prevent accidental start during maintenance, turn the safety key to 0 and remove the battery. Wait at minimum 5 seconds before you start the maintenance.
- Do the maintenance work correctly to increase the lifetime of the product and decrease the risk of accidents. Let an approved service agent do the professional repairs. Speak to your nearest service agent for more information.
- Only do the maintenance work written in this operator's manual. More extensive work must be done by an approved service agent.
- To prevent injury, do not remove or do modifications to safety devices.
- Put on heavy duty gloves when you use the dethatcher equipment. The dethatcher equipment is very sharp and cuts can easily occur.
- Keep the tines on the dethatcher equipment sharp and clean for the best and safest performance.
- Let your service agent regularly examine the product and make necessary adjustments and repairs.
- Replace damaged, worn or broken parts. Always use original spare parts from the manufacturer. Other spare parts can cause damage to the product and increase the risk of accidents.
- Obey the instructions for how to change accessories. Only use accessories from the manufacturer.
- When not in operation, keep the product, battery and battery charger apart in a dry, indoor and locked area. Make sure that children and persons that are not approved cannot get access to the product, battery or battery charger.

# Assembly

## Introduction



**WARNING:** Before you assemble the product, read the safety chapter.



**WARNING:** To prevent accidental start during assembly, turn the safety key to 0, remove the battery and wait at minimum 5 seconds.

## To assemble the handle

1. Loosen the lower knobs.
2. Move the knobs to the lower end of the grooves on the left and the right side of the product. (Fig. 22)
3. Set the handle height in one of the 2 available positions.

4. Move the knobs up in the direction of the handle until they stop and you hear a click. (Fig. 23)
5. Tighten the knobs fully.

## To assemble the grass catcher

1. Attach the grass catcher frame to the grass bag with the rigid part of the bag on the bottom. Keep the handle of the frame on top of the grass bag. (Fig. 24)
2. Attach the bottom section of the grass catcher frame in the groove on the bottom of the grass catcher.
3. Attach the grass bag to the grass catcher frame with the clips. (Fig. 25)
4. Lift the rear cover.
5. Move the grass catcher into the correct position. (Fig. 26)
6. Attach the grass catcher to the top edge of the chassis. Make sure that the rear cover seals against the grass catcher to prevent leakage. (Fig. 27)

# Operation

## Introduction



**WARNING:** Before you operate the product, you must read and understand the safety chapter.

## Husqvarna Connect

Husqvarna Connect is a free app for your mobile device. The Husqvarna Connect app gives extended functions for your Husqvarna product:

- Extended product information.
- Information about, and help with, product parts and servicing.

## To start to use Husqvarna Connect

1. Download the Husqvarna Connect app on your mobile device.
2. Register in the Husqvarna Connect app.
3. Do the instruction steps in the Husqvarna Connect app to connect and register the product.

## To set the work depth



**WARNING:** Do not adjust the work depth when you operate the product.

1. Push and turn the adjustment knob for the work depth counterclockwise to increase the work depth.

2. Push and turn the adjustment knob for the work depth clockwise to decrease the work depth. (Fig. 28)

## Battery



**WARNING:** Before you use the battery, you must read and understand the safety chapter. You must also read and understand the operator's manual for the battery and the battery charger.

Keep the battery and the battery charger in correct ambient temperatures.

	Ambient temperature
Operation of the battery	5 °C - 40 °C
Charging of the battery	5 °C - 40 °C

## Battery status

The display shows the remaining battery capacity and if there are problems with the battery. Push the battery indicator button to get information of the state of charge of the battery. The warning symbol on the battery is on when an error has occurred. Refer to *Battery on page 16*.

(Fig. 29)

LED lights	Battery status
All LEDs are lit	Fully charged (76-100%)
LED 1, LED 2, LED 3 are lit	The battery is 51%-75% charged
LED 1, LED 2 are lit	The battery is 26%-50% charged
LED 1 is lit	The battery is 6%-25% charged.
LED 1 flashes	The battery is 0%-5% charged.

## To charge the battery

Charge the battery before the first use. The battery is only 30% charged when supplied to the customer.

**Note:** The battery charger must be connected to the voltage and frequency specified on the rating plate.

The battery does not charge if the battery temperature is above 50°C. The battery charger decreases the temperature of the battery before it starts to charge.

1. Connect one end of the power cord for the battery charger into the socket of the battery charger.
2. Connect the other end of the power cord for the battery charger in an grounded mains socket. The LED on the battery charger flashes green one time. (Fig. 30)
3. Put the battery in the battery charger. The green light on the charger comes on when the battery is correctly connected to the battery charger. (Fig. 31)
4. When all LEDs on the battery have come on the battery is fully charged. Charge the battery for maximum 24 hours.
5. To disconnect the battery charger from the mains socket, pull the plug, not the power cord.
6. Remove the battery from the battery charger.

## To start the product

1. Put a charged battery in battery compartment number 1 below the battery lid. For longer operation time, put a second charged battery in battery compartment number 2.
2. Turn the safety key to 1. (Fig. 32)
3. Stay behind the product.
4. Press the ON/OFF button (A) on the control panel and the green LED (B) comes on. (Fig. 33)
5. Loosen the start inhibitor. (Fig. 34)
6. Push the motor brake handle in the direction of the handlebar. (Fig. 35)

## To use the SavE function

The product has a battery saving function (SavE) that gives longer operation time.

1. Press the SavE button (A) to start the function. The green LED comes on. (Fig. 36)
2. Press the SavE button again to stop the function. The green LED (B) goes out.

## High load function

When the product cuts long or wet grass, the motor automatically increases rpm. The motor goes back to standard mode when high load is not necessary.

## Motor stalling

During operation, the blade and motor can temporarily stop because of obstacles such as grass blockage below the cutting cover. If this occurs and you keep the motor brake handle pushed down, the product restarts automatically. If the product does not restart in 5-10 seconds, it can be necessary to clean below the cutting cover. Refer to *To clean the product on page 15*.



**WARNING:** If the motor stops, the product tries to restart automatically for 5-10 seconds. Wait for a minimum of 15 seconds before you do a check of the cutting cover.



**WARNING:** Before a check of the cutting cover, release the motor brake handle, turn the safety key to 0, remove the battery and wait for a minimum of 5 seconds. There is a risk of injury if the obstacle is removed and the product accidentally starts.

## To stop the product

The product stops automatically if you do not operate it for 10 minutes. Never let the product stay out of view with the motor started. Stop the motor, turn the safety key to 0 and remove the battery. Make sure that the detacher equipment does not rotate.

1. Release the motor brake handle to stop the motor. (Fig. 37)
2. Press the ON/OFF button (A) on the control panel and the green LED (B) goes out. (Fig. 33)
3. Open the battery lid and turn the safety key to 0. (Fig. 38)
4. To remove the battery, press the 2 release buttons at the same time and pull out the battery. (Fig. 39)
5. Charge the battery if it is weak. For more information, see *To charge the battery on page 14*.

# Maintenance

## Introduction



**WARNING:** Before you do maintenance, you must read and understand the safety chapter.

For all servicing and repair work on the product, special training is necessary. We guarantee the availability of professional repairs and servicing. If your dealer is not a service agent, speak to them for information about the nearest service agent.

For more detailed information, refer to [www.husqvarna.com](http://www.husqvarna.com).

## Maintenance schedule

The maintenance intervals are calculated from daily use of the product. The intervals change if the product is not used daily.

For maintenance identified with \*, refer to *Safety devices on the product on page 11*.

S 138i	Each use	Monthly	Each season
Do a general inspection.	X		
Clean the product.	X		
Examine the dethatcher equipment.	X		
Make sure that the safety devices on the product are not defective. *	X		
Examine the covers. *	X		
Do a check of the motor brake handle. *	X		
Do a check of the start inhibitor. *	X		
Make sure that the ON/OFF button operates correctly and is not defective.	X		
Examine the battery for damage.	X		
Do a check of the battery charge.	X		
Make sure that the release buttons on the battery operates correctly and that the battery locks into the product.	X		
Examine the battery charger for damage and make sure that it operates correctly.		X	
Examine the connections between the battery and the product. Also examine the connection between the battery and the battery charger.			X

## To do a general inspection

- Make sure that the nuts and screws on the product are tightened.
- Make sure that the cables on the product are not in a position where they can get damaged.

## To clean the product

- Clean plastic parts with a clean and dry cloth.
- Do not use water to clean the product. Water can enter the battery or the motor and cause short circuit or damage to the product.
- Do not use a high pressure washer to clean the product.
- Do not flush water directly on the motor.

- Use a brush to remove leaves, grass and dirt.

## To clean the battery and the battery charger



**WARNING:** Do not clean the battery or the battery charger with water.



**WARNING:** Do not use any chemical substances to clean the battery.

- Make sure that the battery and the battery charger are clean and dry before you put the battery into the battery charger.
- Clean the battery terminals with compressed air or use a soft and dry cloth.
- Clean the surfaces of the battery and the battery charger with a soft and dry cloth.

equipment are very sharp and cuts can easily occur.

- Examine the dethatcher equipment for damage or cracks. Always replace a damaged dethatcher equipment.

### To replace the dethatcher equipment



**WARNING:** Use protective gloves when you do maintenance on the dethatcher equipment. The dethatcher equipment is very sharp and cuts can easily occur

1. Put the product on its right side. (Fig. 40)
2. Remove the 2 screws (A) and the dethatcher cover (B). Push the dethatcher equipment (C) up and out to remove it. (Fig. 41)
3. Push the new dethatcher equipment (C) into the groove and down the hole. Attach the dethatcher cover (B) and the 2 screws (A) (Fig. 42)

### To examine the dethatcher equipment



**WARNING:** To prevent accidental start, turn the safety key to 0, remove the battery and wait at minimum 5 seconds.



**WARNING:** Use protective gloves when you do maintenance on the dethatcher equipment. The tines on the dethatcher

## Troubleshooting

### Battery

LED on the battery	Cause	Solution
The green LED flashes.	The battery voltage is low.	Charge the battery. Refer to <i>To charge the battery on page 14.</i>
The battery error LED flashes.	The battery is too cold or too hot to use.	Let the battery cool down or move it indoors to warm it up. When the battery has the correct temperature, it can be used again. Use the battery in the product only when the ambient temperature is 5 °C–40 °C.
	The battery is empty.	Charge the battery. Refer to <i>To charge the battery on page 14.</i>
The battery error LED comes on.	There is a permanent battery error.	Speak to your Husqvarna servicing dealer.

### Battery charger

LED on the battery charger	Cause	Solution
The error LED flashes or comes on.	The battery charger is too cold or too hot to use.	Let the battery charger cool down or move it indoors to warm it up. When the battery charger has the correct temperature, it can be used again. Use the battery charger when the ambient temperature is 5 °C–40 °C.
	Other errors.	Speak to your Husqvarna servicing dealer.



## Control panel

Error	Error code (Number of flashes)	Possible faults	Possible action
Error LED flashes	3	The motor is overloaded.	Decrease the work depth. Refer to <i>To set the work depth on page 13</i> . If the error LED continues to flash, the dethatcher equipment is blocked. To prevent accidental start turn the safety key to 0, remove the battery and wait a minimum 5 seconds. Make sure that the dethatcher equipment can move freely. If the problem continues, speak to an authorised service agent.
	5	The motor speed drops too much, and the motor stops.	
	9	The motor control is too hot.	Stop the motor and wait until it has become cool.
	7	Battery error or no signal from battery.	Put the battery in the product correctly and examine the battery connector. If the error LED on the battery flashes, refer to <i>Battery on page 16</i> .
The battery is weak.		Charge the battery. Refer to <i>To charge the battery on page 14</i> .	
The product stops	6	The battery is weak.	Charge the battery. Refer to <i>To charge the battery on page 14</i> .
	No flashes.	Battery connector failure.	Examine the battery connector.
Other errors	If other errors occur, turn the safety key to 0, remove the battery and speak to an approved service agent.		

---

## Transportation, storage and disposal

---

### Introduction



**WARNING:** To prevent accidental start during transport and storage turn the safety key to 0, remove the battery and wait a minimum of 5 seconds.

### Transportation

- The Dangerous Goods Legislation requirements apply to the contained Li-ion batteries.
- For commercial transports special requirements on package and labels must be obeyed.
- Make sure that you obey the regulations for dangerous material when you prepare the product for transport. Local regulations can apply.
- Always remove the battery for transport.
- Put tape on the battery connectors and make sure that the battery cannot move around during transport.
- Attach the product during transport.

### Storage

- Always remove the batteries for storage.
- Let the product become cool before storage.
- To prevent accidents, make sure that the battery is not connected to the product during storage.
- Keep the battery charger in a closed and dry space.
- Keep the battery and the battery charger in a dry space where there is no moisture or frost.
- Disconnect the battery from the battery charger during storage.
- Do not keep the battery where static electricity can occur. Do not keep the battery in a metal box.
- Keep the product where the ambient temperature is between -10°C and 40°C.
- Keep the battery where the temperature is between 5°C and 25°C and out of sunlight.
- Keep the battery charger where the temperature is between 5°C and 45°C and out of sunlight.
- Make sure that the battery is charged to 30% - 50% before you put it in storage for long periods.

- Keep the product, battery and battery charger in a locked area out of reach for children and not approved persons.
- Clean the product and make sure that the grass catcher is empty.
- Do the maintenance procedures given in this operator's manual. Refer to *Maintenance schedule on page 15*.
- Do a complete servicing before long time storage.

waste. It must be submitted to an appropriate recycling station for the recovery of electrical and electronic equipment.

By ensuring that this product is taken care of correctly, you can help to counteract the potential negative impact on the environment and people that can otherwise result through the incorrect waste management of this product. For more detailed information about recycling this product, contact your municipality, your domestic waste service or the shop from where you purchased the product.

(Fig. 43)

## Disposal

Symbols on the product or the packaging of the product indicate that this product cannot be handled as domestic

---

## Technical data

---

### Technical data

<b>S 138i</b>	
<b>Motor</b>	
Motor type	BLDC (brushless) 36V
Attachment speed – SavE, rpm	3000
Attachment speed – Nominal, rpm	3200
Motor output – max. kW	1.28
Motor output – Nominal, kW	0.9
<b>Weight</b>	
Weight without bag (excl. battery), kg	19.5
Weight with bag (incl. 1 x BLi30), kg	23
<b>Battery</b>	
Type of battery	Husqvarna Battery Series
<b>Battery runtime</b>	
Battery runtime, min, (free run) with SavE activated, with one Husqvarna 7.5 Ah battery (BLi30).	195
Battery runtime, min, (free run) with standard mode activated, with one Husqvarna 7.5 Ah battery (BLi30).	175
<b>Noise emissions <sup>1</sup></b>	
Sound power level, measured dB (A)	89
Sound power level, guaranteed L <sub>WA</sub> dB (A)	91
<b>Sound levels <sup>2</sup></b>	
Sound pressure level at the operators ear, dB (A)	75

<sup>1</sup> Noise emissions in the environment measured as sound power (L<sub>WA</sub>) in conformity with EC directive 2000/14/EC.

<sup>2</sup> Reported data for noise pressure level has an uncertainty factor (K) of 1.5 dB (A).

<b>S 138i</b>	
<b>Vibration levels</b> <sup>3</sup>	
Handle, m/s <sup>2</sup>	5.5
<b>Operation</b>	
Work depth max/min, mm	-8/+5
Work width, cm	37.5
Blade tines attachment	5973510-01
Spring tines attachment	5973509-01
Grass catcher capacity, litre	45

<b>Approved batteries</b>	<b>Type</b>	<b>Battery capacity, Ah</b>	<b>Voltage, V</b>	<b>Weight, lb/kg</b>
BLi30	Lithium-ion	7.5	36	4.2/1.9
40-B140	Lithium-ion	4.0	36	2.6/1.2

<b>Approved chargers for the specified batteries, BLi</b>	<b>Input voltage, V</b>	<b>Frequency, Hz</b>	<b>Power, W</b>
40-C80	100–240	50–60	68.8
QC250	220-240	50	250

<sup>3</sup> Reported data for vibration level has an uncertainty factor (K) of 1.5 m/s<sup>2</sup>. The declared vibration total value has been measured in accordance with standard EN 62841-4-7, Annex I and may be used for comparing one machine with another and in a preliminary assessment of exposure.

---

## Declaration of Conformity

---

# EU Declaration of Conformity

We, **Husqvarna AB**, SE-561 82 Huskvarna, Sweden, tel: +46-36-146500, declare on our sole responsibility that the product:

<b>Description</b>	Scarifier
<b>Brand</b>	Husqvarna
<b>Type / Model</b>	S 138i
<b>Identification</b>	Serial numbers dating from 2023 and onwards

complies fully with the following EU directives and regulations:

<b>Directive/Regulation</b>	<b>Description</b>
2011/65/EU	"on the restriction of the use of certain hazardous substances in electrical and electronic equipment"
2006/42/EC	"relating to machinery"
2014/30/EU	"relating to electromagnetic compatibility"
2000/14/EC	"relating to the noise emissions in the environment"

and that the following standards and/or technical specifications are applied: EN 62841-1:2015/A11:2022, EN IEC 62841-4-7:2022/A11:2022, EN ISO 12100:2010, EN 55014-1:2017/A11:2020, EN 55014-2:2015, EN IEC 63000:2018.

For information relating to noise emission, refer to *Technical data on page 18*.

Huskvarna, 2023-12-30



Claes Losdal

Development Manager/Garden Products

Husqvarna AB

Responsible for technical documentation



# UK Declaration of Conformity

We, **Husqvarna AB**, SE-561 82 Huskvarna, SWEDEN,  
Tel. +46 36 146500, declare on our sole responsibility  
that the product:

<b>Description</b>	Scarifier
<b>Brand</b>	Husqvarna
<b>Type / Model</b>	S 138i
<b>Identification</b>	Serial numbers dating from 2023 and onwards

complies fully with the following UK regulations:

<b>Description</b>
The Restriction of the Use of Certain Hazardous Substances in Electrical and Electronic Equipment Regulations 2012
The Supply of Machinery (Safety) Regulations 2008
Electromagnetic Compatibility Regulations 2016
The Noise Emission in the Environment by Equipment for use Outdoors Regulations 2001

and that the following standards and/or technical specifications are applied: EN 62841-1:2015/A11:2022, EN IEC 62841-4-7:2022/A11:2022, EN ISO 12100:2010, EN 55014-1:2017/A11:2020, EN 55014-2:2015, EN IEC 63000:2018.

For information relating to noise emission, refer to  
*Technical data on page 18.*

Huskvarna, 2023-12-30



Claes Losdal  
Development Manager/Garden Products  
Husqvarna AB  
Responsible for technical documentation

**UK  
CA**

UK Importer:  
Husqvarna UK Ltd  
Preston Road, Co. Durham  
DL5 6UP

---

## Съдържание

---

Въведение.....	23	Отстраняване на проблеми.....	34
Безопасност.....	24	Транспортиране, съхранение и изхвърляне.....	36
Монтаж.....	30	Технически данни.....	37
Операция.....	31	Декларация за съответствие.....	39
Поддръжка.....	33		

---

## Въведение

---

### Описание на продукта

Този продукт е пешеходно управляван електрически вертикутир. Продуктът премахва сплъстена трева от моравата и разрохва почвата, за да позволи на въздуха и водата да проникнат в моравата. Сплъстената трева се събира в кош за трева или се разпределя по моравата. Продуктът има 2 типа оборудване за вертикутир.

### Оборудване за вертикутир

Направете справка с *За смяна на оборудването за вертикутир на страница 34* за информация относно това как да смените оборудването за вертикутир.

### Режещи зъбци

Режещите зъбци отстраняват сплъстената трева и отрязват корените на тревата вертикално. Използвайте режещите зъбци на наклони, тераси и

за почви с високо съдържание на глина. Режещите зъбци позволяват на водата да се просмуква в моравата и предотвратяват задържането на вода на повърхността

(Фиг. 17)

### Пружинни остриета

Пружинните остриета внимателно премахват сплъстена и мъртва трева от моравата, без да нараняват корените на тревата.

(Фиг. 18)

### Предназначение

Използвайте продукта, за да премахнете сплъстената трева и да разрохкате почвата в частни градини. Не използвайте продукта за други задачи.

### Общ преглед на продукта

(Фиг. 1)

1. Ръкохватка за спирачката на двигателя
2. Горна дръжка
3. Табло за управление
4. Блокировка на стартирането
5. Ниска ръкохватка
6. Кош за трева
7. Заден капак
8. Капак на вертикутир
9. Капак на акумулаторната батерия
10. Ръкохватка за регулиране на дълбочината на работа
11. Ключ за безопасност
12. Светодиоден индикатор за ВКЛ./ИЗКЛ.
13. Бутон за ВКЛ./ИЗКЛ.
14. Бутон SavE
15. Светодиоден индикатор за SavE
16. Индикатор за заряд на акумулаторната батерия и бутон за акумулаторната батерия
17. Пружинни зъбци
18. Акумулаторна батерия (принадлежност)
19. Зарядно устройство за акумулаторни батерии (принадлежност)

20. Шестостепенен ключ

21. Ръководство за оператора

### Символи върху продукта

(Фиг. 2) ПРЕДУПРЕЖДЕНИЕ

(Фиг. 3) Прочетете инструкциите.

(Фиг. 4) ПРЕДУПРЕЖДЕНИЕ – пазете се от изхвърлени предмети.

(Фиг. 5) Не допускате наблизно странични наблюдатели.

(Фиг. 6) ПРЕДУПРЕЖДЕНИЕ – дръжте ръцете и краката си настрана от зъбците.

(Фиг. 7) Преди техническо обслужване разкачете акумулаторната батерия.

(Фиг. 8) Не излагайте на дъжд.

(Фиг. 9) Продуктът е със защита от пръски вода.

(Фиг. 10) Този продукт отговаря на изискванията на приложимите директиви на ЕО.

(Фиг. 11) Този продукт съответства на приложимите регламенти на Обединеното кралство.

(Фиг. 12) Етикет за шумовите емисии за околната среда съгласно директивите и регламентите на ЕС и Обединеното кралство и законодателството на Нов Южен Уелс "Регламент 2017 относно защитата от дейности, оказващи влияние на околната среда (контрол на шума)". Гарантираното ниво на звуковата мощност на продукта е посочено в *Технически данни на страница 37* и на етикета.

(Фиг. 15) Рециклирайте този продукт в пункт за рециклиране на отпадъци от електрическо и електронно оборудване. (валидно само за Европа)

(Фиг. 16) Процедура за стартиране: натиснете бутона за ВКЛ./ИЗКЛ., разхлабете инхибитора за стартиране, натиснете ръкохватката за спирачката на двигателя надолу.

(Фиг. 13) Освободете ръкохватката за спирачката на двигателя, за да спрете.

(Фиг. 14) Код с възможност за сканиране.

**Забележка:** Останалите символи/стикери на продукта се отнасят до изисквания по отношение на сертификати за определени пазари.

## Повреда на продукта

Ние не носим отговорност за повреди по нашия продукт, ако:

- продуктът е неправилно ремонтиран.
- продуктът е ремонтиран с части, които не са от производителя или не са одобрени от производителя.
- продуктът има принадлежност, която не е от производителя или не е одобрена от производителя.
- продуктът не е ремонтиран в одобрен сервизен център или от одобрен орган.

---

## Безопасност

---

### Дефиниции за безопасност

Предупреждения, знаци за внимание и бележки се използват за указване на особено важни части на инструкцията.



**ПРЕДУПРЕЖДЕНИЕ:** Използва се, ако има опасност от нараняване или смърт за оператора или за околните, ако не се спазват инструкциите в ръководството.



**ВНИМАНИЕ:** Използва се, ако има опасност от повреждане на машината, други материали или съседната зона, ако не се спазват инструкциите в ръководството.

### Общи предупреждения за безопасност за продукта



**ПРЕДУПРЕЖДЕНИЕ:** Прочетете всички предупреждения за безопасност, инструкции, илюстрации и спецификации, предоставени с този продукт.

Неспазването на всички инструкции, изброени по-долу, може да доведе до електрически удар, пожар и/или сериозно нараняване.

**Запазете всички предупреждения и инструкции за бъдещи справки.** Терминът "продукт" в предупрежденията се отнася за продукт с електрическо задвижване (с кабел) или такъв с акумулаторна батерия (безжичен).

**Забележка:** Използва се за предоставяне на повече информация, която е необходима в дадена ситуация.



## Безопасност на работната област

- **Поддържайте работната област работния участък чиста и добре осветена.** Мръсните и тъмните области са по-предразполагащи към инциденти.
- **Не работете с продукта в експлозивна среда, като например в присъствието на запалителни течности, газове или прах.** Продуктът създава искри, които може да запалят праха или дима.
- **Дръжте децата и околните настрана, докато работите с продукта.** Разсейването може да доведе до загуба на контрол.

## Лична безопасност

- **Бъдете нащрек, внимавайте какво правите и бъдете разсъдливи, когато работите с продукта. Не използвайте продукта, когато сте изморени или когато сте под влиянието на наркотици, алкохол или лекарства.** Един миг невнимание по време на работа с продуктите може да доведе до тежко телесно нараняване.
- **Използвайте лични предпазни средства. Винаги носете защитни средства за очите.** Предпазните средства като респираторна маска, непързалици се предпазни обувки, твърда каска или антифони, използвани за съответните условия, ще намалят телесните повреди.
- **Не допускайте нежелано стартиране. Уверете се, че превключвателят е в изключено положение, преди да свържете захранващия източник и/или акумулаторната батерия, когато вземате или носите продукта.** Носенето на продукти с пръст на превключвателя или включенето в мрежата на продукти с прекъсвач във включено положение е предпоставка за злополуки.
- **Отстранете всички ключове за регулиране или гаечни ключове, преди да включите продукта.** Гаечен ключ или ключ, който е оставен присъединен към въртящата се част на продукта, може да доведе до нараняване.
- **Не се протягайте прекалено надалеч, докато работите. Поддържайте съответната стъпка и баланс през цялото време.** Това осигурява по-добър контрол на продукта в неочаквани ситуации.
- **Обличайте се подходящо. Никога не носете широки дрехи или украшения. Дръжте косата и дрехите си далеч от движещите се части на инструмента.** Свободновисящи дрехи, бижута или дълга коса могат да бъдат захванати от движещите се части.
- **Ако са предоставени устройства за свързване на изсмукване на прах и съдове за събиране, уверете се, че те са свързани и се използват правилно.** Използването на съдове за събиране на прах може да намали опасностите, свързани с праха.
- **Не позволявайте на натрупания опит от честата употреба на продукти да Ви вдъхне прекомерна увереност и да игнорирате принципите за**

**безопасност.** Едно нехайно действие може да причини сериозно нараняване за част от секундата.

## Използване и грижа за продукта

- **Не насилвайте продукта. Използвайте подходящия продукт за Вашето приложение.** Подходящият продукт ще свърши работата по-добре и по-безопасно със скоростта, за която е бил създаден.
- **Не използвайте продукта, ако превключвателят не го включва и изключва.** Всеки продукт, който не може да се управлява с превключвателя, е опасен и трябва да бъде ремонтиран.
- **Разкачете щепсела от електрическия източник и/или премахнете акумулаторната батерия от продукта, ако може да се отстрани, преди да правите каквито и да било настройки, да сменяте принадлежности или да съхранявате продукти.** Тези предпазни мерки намаляват риска от нежелано стартиране на продукта.
- **Съхранявайте неизползваните продукти на недостъпно за деца място и не разрешавайте на хора, които не са запознати с продукта или с тези инструкции, да работят с него.** Продуктите са опасни в ръцете на необучени потребители.
- **Поддържайте продуктите и принадлежностите.** Проверявайте за разцентроване или задиране на движещите се части, счупвания на части или други състояния, които могат да се отразят на работата на продукта. Ако продуктът бъде повреден, дайте го за ремонт, преди да го използвате. Много инциденти възникват за лошо поддържани продукти.
- **Поддържайте режещите инструменти остри и чисти.** Правилно поддържаните режещи инструменти с остри режещи краища са по-трудни за огъване и се контролират по-лесно.
- **Използвайте продукта, принадлежностите, приставките и др. в съответствие с тези инструкции, като имате предвид условията и естеството на работата, която извършвате.** Използването на продукта за операции, различни от тези, за които е предназначен, може да доведе до опасни ситуации.
- **Поддържайте ръкохватките и повърхностите за хващане сухи, чисти и без масло и грес.** Хлъзгавите ръкохватки и повърхности за хващане не позволяват безопасно боравене и контрол над продукта при непредвидени ситуации.

## Употреба и грижа за инструмента на батерия

- **Презареждайте само със зарядно устройство, определено от производителя.** Зарядно устройство, което е подходящо за един вид батерия, може да създаде опасност от злополука, когато се използва с друга батерия.

- **Използвайте продуктите само със специално определените акумулаторни батерии.** Използването на други батерии може да създаде опасност от нараняване и пожар.
- **Когато батерията не е в употреба, дръжте я далече от други метални предмети, като кламери, монети, ключове, пирони, винтове или другите, които могат да свържат едната клемма с другата.** Окисляване на изводите на батерията може да предизвика изгаряния или пожар.
- **При злоупотреба от акумулатора може да бъде изхвърлена течност – избягвайте допир.** В случай на случаен контакт изплакнете с вода. Ако течността попадне в очите, потърсете допълнителна медицинска помощ. Течност, изхвърлена от акумулатора, може да причини раздразнения или изгаряния.
- **Не използвайте акумулаторната батерия или продукт, който е променен или повреден.** Повредените или модифицирани батерии могат да имат непредсказуемо поведение, което да доведе до пожар, експлозия или опасност от нараняване.
- **Не излагайте акумулаторната батерия или уреда на огън или прекомерна температура.** Излагането на огън или температура над 130°C/265°F може да предизвика експлозия.
- **Спазвайте всички инструкции за зареждане и не зареждайте акумулаторната батерия или уреда извън температурния диапазон, посочен в инструкциите.** Неправилното зареждане или зареждането при температури извън определенения диапазон може да повредят акумулаторната батерия и да увеличат риска от пожар.

## Обслужване

- **Техническото обслужване на Вашия продукт трябва да се извършва от квалифицирано лице, като се използват само идентични резервни части.** Това ще гарантира поддържането на безопасността на продукта.
- **Никога не обслужвайте повредени акумулаторни батерии.** Обслужването на акумулаторни батерии трябва да се извършва само от производителя или оторизирани сервиси.

## Предупреждения за безопасност на продукта

- **Не използвайте продукта при лоши метеорологични условия, особено когато има риск от мълнии.** Това намалява риска да бъдете ударени от мълния.
- **Внимателно проверете площта, където ще се използва продуктът, за диви животни.** Продуктът може да нарани дивите животни по време на работа.
- **Проверете внимателно площта, където ще се използва продуктът, и отстранете всички камъни, пръчки, проводници, кости и други чужди**

**предмети.** Изхвърлените предмети могат да причинят телесна повреда.

- **Преди употреба винаги проверявайте визуално продукта, за да се уверите, че зъбците и модултът на зъбците не са износени или повредени.** Износените или повредени части увеличават риска от нараняване.
- **Проверявайте често коша за трева за износвания или влошаване на качествата.** Износеният или повреден кош за трева може да увеличи риска от телесна повреда.
- **Дръжте предпазителите на място.** Предпазителите трябва да са в изправност за работа и да са правилно монтирани. Разхлабен, повреден или неправилно функциониращ предпазител може да доведе до телесна повреда.
- **Поддържайте всички входни отвори за охлаждащ въздух чисти от отпадъци.** Блокираните входни отвори за въздух и остатъците може да доведат до прегряване или риск от пожар.
- **По време на работа с продукта винаги носете неплъзгащи се и защитни обувки. Не работете с продукта, когато сте боси или носите отворени сандали.** Това намалява вероятността от нараняване на краката при контакт с движещите се зъбци.
- **Когато работите с продукта, винаги носете дълги панталони.** Съществува вероятност откритите части на кожата да бъдат наранени от изхвърлени предмети.
- **Не работете с продукта във влажна трева. Ходете, никога не тичайте.** Това намалява риска от подхлъзване и падане, което може да доведе до телесна повреда.
- **Не работете с продукта по прекалено стръмни наклони.** Това намалява риска от загуба на контрол, подхлъзване и падане, което може да доведе до телесна повреда.
- **Когато работите по наклони, винаги се уверявайте, че сте стъпили добре, винаги работете напречно на наклоните, никога нагоре или надолу, и бъдете изключително внимателни при смяна на посоката.** Това намалява риска от загуба на контрол, подхлъзване и падане, което може да доведе до телесна повреда.
- **Бъдете изключително внимателни при движение на заден ход или при дърпане на продукта към себе си.** Внимавайте за заобикалящата среда. Това намалява риска от преобръщане по време на работа.
- **Дръжте продукта само за изолираните повърхности за хващане, тъй като зъбците може да влязат в контакт със скрити проводници или с неговия собствен шнур.** При контакт на зъбците с проводник под напрежение металните части на машината може да попаднат под напрежение и операторът да бъде изложен на токов удар.
- **Не докосвайте зъбците и други опасни движещи се части, докато те все още се движат.** Това

намалява риска от нараняване от движещи се части.

- **Когато отстранявате заседнал материал или почиствате продукта, се уверете, че всички прекъсвачи са изключени и че акумулаторната батерия е разкачена.** Неочакваното задействане на продукта може да доведе до сериозна телесна повреда.

## Общи инструкции за безопасност



**ПРЕДУПРЕЖДЕНИЕ:** Прочетете следващите предупредителни инструкции, преди да използвате продукта.

- Този продукт е опасен, ако се използва неправилно или ако не сте внимателни. Неспазването на инструкциите за безопасност може да доведе до нараняване или смърт.
- Този продукт създава електромагнитно поле по време на работа. При някои условия това поле може да предизвика смущения в активни или пасивни медицински импланти. За да намалите риска от тежко или смъртоносно нараняване, ние препоръчваме лицата с медицински импланти да говорят с лекаря си и производителя на медицинския имплант, преди да започнат да работят с този продукт.
- Винаги бъдете внимателни и подхождайте разумно. Ако не сте сигурни как да работите с продукта при специална ситуация, спрете и се обърнете към Вашия дилър на Husqvarna, преди да продължите.
- Имайте предвид, че операторът носи отговорност за злополуки, включващи други лица или тяхното имущество.
- Поддържайте продукта чист. Уверете се, че разчитате ясно знаците и стикерите.
- Никога не позволявайте на деца или на хора, непознати с тези инструкции, да използват уреда. Местните регламенти може да поставят възрастови ограничения за оператора.
- Винаги наблюдавайте лице с намален физически или умствен капацитет, което използва продукта. През цялото време трябва да присъства отговорен възрастен.
- Не използвайте продукта, ако сте уморени, болни или под въздействието на алкохол, наркотици или лекарства. Това състояние оказва отрицателно въздействие върху Вашето зрение, бдителност, координация и преценка.
- Не използвайте продукта, ако е повреден или не работи правилно.
- Не променяйте този продукт и не го използвайте, ако има вероятност той да е бил променен от други лица.

## Безопасност при работа



**ПРЕДУПРЕЖДЕНИЕ:** Прочетете следващите предупредителни инструкции, преди да използвате продукта.

- Използвайте този продукт, за да отстраните сплъстената трева и мъх само от морави. Не се допуска използването му за други цели.
- Използвайте лични предпазни средства. Направете справка с *Лични предпазни средства на страница 28*.
- Уверете се, че знаете как бързо да спрете двигателя при аварийна ситуация.
- Не работете с продукта при дъжд или влага. Това може да увеличи риска от токов удар.
- Не работете с продукта, докато зъбите и всички капази не се закрепят правилно. Неправилно закрепените зъбци може да се разхлабят и да причинят телесна повреда.
- Уверете се, че зъбите не се удрят в предмети, като например камъни и корени. Това може да доведе до повреда на зъбите и до огъване на вала на двигателя. Огънат мост причинява силни вибрации и има много голям риск зъбите да се разхлабят.
- Ако зъбите се ударят в някакъв предмет или се получат вибрации, спрете продукта веднага. Спрете двигателя, завъртете ключа за безопасност на 0 и отстранете акумулаторната батерия. Изчакайте до спирането на движещите се части. Проверете продукта за повреди. Затегнете разхлабените части. Отстранете повредите и сменете повредените части. Възложете ремонта на одобрен сервиз.
- Никога не закрепвайте ръкохватката за спирачката на двигателя за постоянно върху ръкохватката, когато двигателят е стартиран.
- Поставете продукта върху стабилен, равен повърхност и го стартирайте. Уверете се, че зъбите не се удрят в земята или в други предмети.
- Винаги стойте зад продукта, когато работите с него.
- Всички колела трябва да бъдат на земята и да държите ръкохватката с 2 ръце, когато работите с продукта. Дръжте ръцете и краката си далеч от въртящите се зъбци.
- Не накланяйте продукта, когато стартирате двигателя или по време на работа на продукта.
- Бъдете внимателни, когато дърпате продукта назад.
- Никога не повдигайте продукта, когато двигателят е стартиран. Ако се наложи да повдигнете продукта, първо спрете двигателя, завъртете ключа за безопасност на 0 и отстранете акумулаторната батерия.
- Не ходете назад, когато работите с продукта.

- Спрете двигателя, когато е необходимо да наклоните продукта за транспортиране или когато преминавате през площи без трева, например пътеки от чакъл, камък и асфалт.
- Не тичайте с продукта, когато двигателят е стартиран. Винаги ходете, когато работите с продукта.
- Спрете двигателя, преди да промените дълбочината на работа. Никога не регулирайте при стартиран двигател.
- Никога не оставяйте продукта без надзор при стартиран двигател. Спрете двигателя, завъртете ключа за безопасност на 0 и отстранете акумулаторната батерия. Уверете се, че оборудването за вертикутир не се върти.
- Вибрациите в продукта по време на работа могат да се различават от декларираната стойност на вибрациите в *Технически данни на страница 37*. Причината за разликата са различните начини на използване на продукта. Ако работите с продукта често или за дълги периоди от време, правете редовно почивки, за да предотвратите нараняване от вибрации.

- Не отстранявайте и не правете модификации по устройствата за безопасност.
- Извършвайте редовно проверка на устройствата за безопасност. Ако устройствата за безопасност са повредени или не работят правилно, се обърнете към Вашия сервиз на Husqvarna.

### За извършване на проверка на капациите

Капакът на вертикутира намалява вибрациите в продукта и риска от нараняване, причинени от оборудването за вертикутир.

- Проверете страничния капак на вертикутира, за да се уверите, че няма повреди, като например пукнатини.
- Проверете задния капак, за да се уверите, че няма повреди, като например пукнатини.

### Ръкохватка за спирачката на двигателя

Ръкохватка за спирачката на двигателя спира двигателя. Когато ръкохватката за спирачката на двигателя бъде освободена, двигателят спира.

За да извършите проверка на спирачката на двигателя, стартирайте двигателя и след това освободете ръкохватката за спирачката на двигателя. Ако двигателят не спре до 3 секунди, позволете на одобрен сервиз на Husqvarna да регулира спирачката на двигателя.

(Фиг. 19)

### Ключ за безопасност

Ключът за безопасност се намира под капака на акумулаторната батерия. Ключът за безопасност се използва за връзка с акумулаторната батерия, която захранва двигателя с енергия.

- Стартирайте и спрете двигателя, за да извършите проверка на ключа за безопасност.
- Ако ключът за безопасност функционира правилно, двигателят стартира само когато ключът е завъртян в положение 1.

(Фиг. 20)

### За проверка на блокировката на стартирането

Извършете проверка на блокировката на стартирането, за да се уверите, че тя не допуска работата на двигателя.

1. Натиснете ръкохватката за спирачката на двигателя по посока на управлението. Блокировката на стартирането спира движението.
2. Натиснете блокировката на стартирането навън. (Фиг. 21)
3. Освободете блокировката на стартирането и се уверете, че тя се е върнала в първоначалното си положение.

## Инструкции за безопасност за работа

### Лични предпазни средства



**ПРЕДУПРЕЖДЕНИЕ:** Прочетете следващите предупредителни указания, преди да използвате продукта.

- Личните предпазни средства не изключват изцяло риска от нараняване, но намаляват степента на нараняването при злополука. Нека Вашият доставчик Ви помогне да изберете подходящото оборудване.
- Носете ботуши или обувки, устойчиви на хлъзгане. Не носете отворени обувки и не ходете боси.
- Използвайте дълги панталони от здрав плат.
- Когато е необходимо, носете защитни ръкавици, например, когато закрепвате, проверявате или почиствате режещото оборудване.
- Препоръчваме използване на средства за защита на слуха.

### Устройства за безопасност на продукта



**ПРЕДУПРЕЖДЕНИЕ:** Прочетете следващите предупредителни инструкции, преди да използвате продукта.

- Не използвайте продукт с устройства за безопасност, които са повредени или не работят правилно.

## Безопасност на акумулаторната батерия



**ПРЕДУПРЕЖДЕНИЕ:** Прочетете следващите предупредителни инструкции, преди да използвате продукта.

- Използвайте акумулаторни батерии Husqvarna като източник на хранене само за продукти Husqvarna. За да предотвратите нараняване, не използвайте акумулаторната батерия като източник на хранене за други устройства.
- Не използвайте непрезареждаеми акумулаторни батерии.
- Опасност от електрически удар. Не свързвайте клемите на акумулаторната батерия с ключове, монети, винтове или други метални предмети. Това може да причини късо съединение на акумулаторната батерия.
- Не поставяйте предмети във въздушните отвори на акумулаторната батерия.
- Съхранявайте акумулаторната батерия далеч от слънчева светлина, топлина или открит огън. Акумулаторната батерия може да експлодира и да причини изгаряния и/или химически изгаряния.
- Съхранявайте акумулаторната батерия далеч от дъжд или влага.
- Съхранявайте акумулаторната батерия далеч от микровълни и високо налягане.
- Не се опитвайте да разглобите или счупите акумулаторната батерия.
- Ако в акумулаторната батерия има теч, не оставайте течността да влиза в контакт с тялото или очите. Ако сте докоснали течността, измийте мястото с обилно количество вода и потърсете медицинска помощ.
- Използвайте акумулаторната батерия в продукта само когато околната температура е в границите на 5°C – 40°C.
- Използвайте зарядното устройство за акумулаторни батерии само когато околната температура е в границите на 5°C – 40°C.
- Акумулаторната батерия няма да се зарежда, ако нейната температура е по-висока от 50°C.
- Не почиствайте акумулаторната батерия или зарядното устройство за акумулаторни батерии с вода. Направете справка с *Акумулаторна батерия на страница 34*.
- Не използвайте повредена акумулаторна батерия.
- Съхранявайте акумулаторните батерии далеч от метални предмети, като например пирони, монети, бижута.

## Инструкции за безопасност за зарядното устройство на акумулаторната батерия



**ПРЕДУПРЕЖДЕНИЕ:** Прочетете следващите предупредителни инструкции, преди да използвате продукта.

- Използвайте QC зарядни устройства за акумулаторни батерии зареждане само на резервни акумулаторни батерии Husqvarna.
- Риск от токов удар или късо съединение. Не поставяйте предмети във въздушните отвори на зарядното устройство. Не опитвайте да разглобите зарядното устройство за акумулаторни батерии. Не свързвайте клемите на зарядното устройство към метални предмети. Използвайте одобрен стенов контакт.
- Този продукт създава електромагнитно поле по време на работа. При някои условия това поле може да предизвика смущения в активни или пасивни медицински импланти. За да намалите риска от сериозно или смъртоносно нараняване, ние препоръчваме лицата с медицински импланти да говорят с лекаря си и производителя на медицинския имплант, преди да започнат да работят с този продукт.
- Редовно проверявайте дали хранящият шнур на зарядното устройство за акумулаторни батерии не е повреден и дали няма пукнатини по него.
- Не повдигайте зарядното устройство за акумулаторни батерии, като го държите за хранящия шнур. За да изключите зарядното устройство за акумулаторни батерии от стенов контакт, извадете щепсела. Не дърпайте хранящия шнур.
- Дръжте хранящия шнур и удължаващите кабели далеч от вода, масло и остри ръбове. Уверете се, че кабелът не е прищипан от врати, огради и подобни. Това може да причини появята на напрежение в зарядното устройство.
- Не почиствайте зарядното устройство за акумулаторни батерии с вода.
- Зарядното устройство за акумулаторни батерии може да се използва от деца на възраст 8 и повече години и лица с намалени физически, сетивни или умствени способности или без знания и опит, ако са под наблюдение или са получили инструкции за безопасното използване на зарядното устройство за акумулаторни батерии и разбират свързаните с това рискове. Децата не трябва да си играят със зарядното устройство за акумулаторни батерии. Почистването и техническото обслужване от потребителя не трябва да се извършват от деца без наблюдение.

- Не зареждайте презареждаеми акумулаторни батерии в зарядното устройство за акумулаторни батерии.
- Не използвайте зарядното устройство за акумулаторни батерии близо до запалими материали или материали, които могат да причинят корозия. Не покривайте зарядното устройство за акумулаторни батерии. Ако има дим или огън, извадете щепсела на зарядното устройство за акумулаторни батерии.
- Не използвайте дефектно или повредено зарядно устройство за акумулаторни батерии.
- Зареждайте акумулаторната батерия само на закрито, в помещение с добра вентилация и далеч от слънчева светлина. Не зареждайте акумулаторната батерия във влажна условия.

## Инструкции за безопасност при техническо обслужване



**ПРЕДУПРЕЖДЕНИЕ:** Прочетете следващите предупредителни инструкции, преди да използвате продукта.

- За да предотвратите случайно стартиране по време на техническо обслужване, завъртете ключа за безопасност на 0 и отстранете акумулаторната батерия. Изчакайте най-малко 5 секунди, преди да започнете техническото обслужване.
- Извършете правилно техническото обслужване, за да увеличите срока на експлоатация на продукта и да намалите риска от инциденти. Възложете извършването на професионалните ремонтни дейности на одобрен сервис. За повече

информация се обърнете към най-близкия до Вас сервис.

- Извършвайте само работите по техническото обслужване, посочени в това ръководство за оператора. По-значителни професионални дейности трябва да се извършват от одобрен сервис.
- За предотвратяване на нараняване не отстранявайте устройствата за безопасност и не ги модифицирайте.
- Сложете ръкавици за тежки условия, когато използвате оборудването за вертикутир. Оборудването за вертикутир е много остро и можете лесно да се порежете.
- Поддържайте зъбците на оборудването за вертикутир остри и чисти за най-добра и безопасна работа.
- Редовно проверявайте продукта при Вашия сервис и извършвайте необходимите корекции и ремонтни дейности.
- Заменете повредени, износени или счупени части. Винаги използвайте оригинални резервни части от производителя. Други резервни части могат да причинят повреждане на продукта и да увеличат риска от злополуки.
- Следвайте инструкциите за смяна на принадлежностите. Използвайте само принадлежностите от производителя.
- Когато не ги използвате, съхранявайте продукта, акумулаторна батерия и зарядното устройство за акумулаторни батерии отделно на закрито сухо и заключено място. Уверете се, че деца и лица, които не са одобрени, не могат да получат достъп до продукта, акумулаторната батерия или зарядното устройство за акумулаторни батерии.

## Монтаж

### Въведение



**ПРЕДУПРЕЖДЕНИЕ:** Преди да сглобите продукта, прочетете главата за безопасност.



**ПРЕДУПРЕЖДЕНИЕ:** За да предотвратите случайно стартиране по време на монтаж, завъртете ключа за безопасност на 0, отстранете акумулаторната батерия и изчакайте най-малко 5 секунди.

### За да монтирате ръкохватката

1. Разхлабете долните копчета.
2. Преместете фиксаторите към долния край на каналите от лявата и дясната страна на продукта. (Фиг. 22)

3. Задайте височината на дръжката в едно от 2 възможни положения.
4. Преместете фиксаторите по посока на дръжката, докато спрат и се чуе шракване. (Фиг. 23)
5. Затегнете напълно фиксаторите.

### За сглобяване на коша за трева

1. Прикрепете рамката на коша за трева към торбата за събиране на трева, като твърдата част на торбата трябва да е отдолу. Дръжте ръкохватката на рамката от горната страна на торбата за трева. (Фиг. 24)
2. Прикрепете долната секция на рамката на коша за трева в канала от долната страна на коша за трева.
3. Прикрепете торбата за трева към рамката на коша за трева с фиксаторите. (Фиг. 25)
4. Вдигнете задния капак.

5. Преместете коша за трева в правилната позиция. (Фиг. 26)

6. Прикрепете коша за трева към горния ръб на шасито. Уверете се, че задният капак прилепва плътно към коша за трева за предотвратяване на теч. (Фиг. 27)

## Операция

### Въведение



**ПРЕДУПРЕЖДЕНИЕ:** Преди работа с продукта трябва да прочетете и разберете главата за безопасност.

### Husqvarna Connect

Husqvarna Connect е безплатно приложение за Вашето мобилно устройство. Приложението Husqvarna Connect осигурява разширени функции за Вашия продукт на Husqvarna:

- Разширена продуктова информация.
- Информация и помощ за частите на продукта и сервисното обслужване.

### За да започнете да използвате Husqvarna Connect

1. Изтеглете приложението Husqvarna Connect на Вашето мобилно устройство.
2. Регистрирайте се в приложението Husqvarna Connect.
3. Изпълнете стъпките с инструкции в приложението Husqvarna Connect, за да свържете и регистрирате продукта.

### За да зададете дълбочина на работа



**ПРЕДУПРЕЖДЕНИЕ:** Не регулирайте дълбочината на работа, когато работите с продукта.

1. Натиснете и завъртете ръкохватката за регулиране на дълбочината на работа по посока обратна на часовниковата стрелка, за да увеличите дълбочината на работа.
2. Натиснете и завъртете ръкохватката за регулиране на дълбочината на работа по посока на часовниковата стрелка, за да намалите дълбочината на работа. (Фиг. 28)

### Акумулатор



**ПРЕДУПРЕЖДЕНИЕ:** Преди да използвате акумулатора, трябва да прочетете и разберете главата за безопасност. Вие трябва също да прочетете и разберете ръководството на оператора за акумулатора и зарядното устройство.

Поддържайте подходяща околна температура за акумулаторната батерия и зарядното устройство.

	Околна температура
Работа на акумулаторната батерия	5°C – 40°C
Зареждане на акумулаторната батерия	5°C – 40°C

### Състояние на акумулаторната батерия

Дисплеят показва оставащия капацитет на акумулаторната батерия и дали има проблеми с нея. Натиснете бутона на индикатора върху акумулаторната батерия, за да получите информация за състоянието ѝ на зареждане. Символът за предупреждение върху акумулаторната батерия се включва, когато възникне грешка. Направете справка с *Акумулаторна батерия на страница 34*.

(Фиг. 29)

Светодиодни светлини	Състояние на акумулаторната батерия
Всички светодиоди светят	Напълно заредена (76 – 100%)
Светодиоди 1, 2, 3 светят	Акумулаторната батерия е заредена на 51% – 75%
Светодиоди 1 и 2 светят	Акумулаторната батерия е заредена на 26% – 50%
Светодиод 1 свети	Акумулаторната батерия е заредена на 6% – 25%.
Светодиод 1 мига	Акумулаторната батерия е заредена на 0% – 5%.

### За зареждане на акумулатора

Заредете акумулатора преди използване за първи път. Акумулаторът е зареден само на 30%, когато се доставя на клиента.

**Забележка:** Зарядното устройство на акумулатора трябва да бъде свързано към напрежението и честотата, посочени на типовата табелка.

Акумулаторът не се зарежда, ако температурата на акумулатора е над 50°C. Зарядното устройство намалява температурата на акумулатора, преди да започне да зарежда.

1. Свържете единия край на захранващия шнур на зарядното устройство в гнездото на зарядното устройство.
2. Свържете другия край на захранващия шнур за зарядното устройство в заземен контакт. Светодиодът на зарядното устройство примигва един път в зелено. (Фиг. 30)
3. Поставете батерията в зарядното устройство. Когато акумулаторът е правилно свързан към зарядното устройство, на зарядното устройство светва зелена светлина. (Фиг. 31)
4. Когато всички светодиоди на акумулатора светнат, акумулаторът е напълно зареден. Зареждайте акумулатора за най-много 24 часа.
5. За да разкачите зарядното устройство на акумулатора от контакта, издърпайте щепсела, а не кабела.
6. Извадете батерията от зарядното устройство.

## За стартиране на продукта

1. Поставете зареден акумулатор в отделението за акумулатор номер 1 под капака на акумулатора. За по-дълъг период на работа поставете втори зареден акумулатор в отделението за акумулатор номер 2.
2. Завъртете ключа за безопасност на 1. (Фиг. 32)
3. Останете зад продукта.
4. Натиснете бутона ON/OFF (ВКЛ./ИЗКЛ.) (А) на разпределителното табло и зеленият светодиод (В) ще светне. (Фиг. 33)
5. Разхлабете инхибитора за стартиране. (Фиг. 34)
6. Натиснете ръкохватката за спирачката на двигателя по посока на управлението. (Фиг. 35)

## За да използвате функцията SaveE

Продуктът разполага с функция за пестене на акумулатора (SaveE), която осигурява по-дълго време на работа.

1. Натиснете бутона SaveE (А), за да стартирате функцията. Зеленият светодиод светва. (Фиг. 36)
2. Натиснете отново бутона SaveE, за да спрете функцията. Зеленият светодиод (В) изгасва.

## Функция на високо натоварване

Когато продуктът реже дълга или влажна трева, двигателят автоматично повишава оборотите. Двигателят се връща към стандартен режим, когато не е необходимо голямо натоварване.

## Спиране на двигателя

По време на работа ножът и двигателят могат да спрат временно поради препятствия, като например натрупване на трева под капака на режещите части. Ако се случи това и Вие държите ръкохватката за спирачката на двигателя натисната надолу, продуктът се рестартира автоматично. Ако продуктът не се рестартира в рамките на 5 – 10 секунди, може да се окаже необходимо да се почисти пространството под капака на режещите части. Направете справка с *За почистване на машината на страница 33*.



**ПРЕДУПРЕЖДЕНИЕ:** Ако двигателят спре, продуктът се опитва да се рестартира автоматично в продължение на 5 – 10 секунди. Изчакайте минимум 15 секунди, преди да извършите проверка на капака на режещите части.



**ПРЕДУПРЕЖДЕНИЕ:** Преди да извършите проверка на капака на режещите части, освободете ръкохватката за спирачката на двигателя, завъртете ключа за безопасност на 0, отстранете акумулаторната батерия и изчакайте минимум 5 секунди. Има риск от нараняване, ако след отстраняването на препятствието продуктът стартира неочаквано.

## За спиране на продукта

Продуктът спира автоматично, ако не работите с него в продължение на 10 минути. Никога не оставяйте продукта без надзор при стартиран двигател. Спрете двигателя, завъртете ключа за безопасност на 0 и отстранете акумулаторната батерия. Уверете се, че оборудването за вертикутир не се върти.

1. Освободете ръкохватката за спирачката на двигателя, за да спрете двигателя. (Фиг. 37)
2. Натиснете бутона за ВКЛ./ИЗКЛ. (А) на табло за управление и зеленият светодиод (В) ще изгасне. (Фиг. 33)
3. Отворете капака на акумулаторната батерия и завъртете ключа за безопасност на 0. (Фиг. 38)
4. За да отстраните акумулаторната батерия, натиснете едновременно 2-та бутона за освобождаване и извадете акумулаторната батерия. (Фиг. 39)
5. Заредете акумулаторната батерия, ако е изтощена. За повече информация вижте *За зареждане на акумулатора на страница 31*.



# Поддръжка

## Въведение



**ПРЕДУПРЕЖДЕНИЕ:** Преди да извършите техническо обслужване, трябва да прочетете и разберете главата за безопасност.

За всички работи по обслужването и поправката на продукта е необходимо специално обучение. Осигуряваме предлагане на професионални ремонти и обслужване. Ако Вашият дилър не предлага сервизно обслужване, се свържете с него, за да Ви даде информация за най-близкия сервиз.

За по-подробна информация направете справка с [www.husqvarna.com](http://www.husqvarna.com).

## Разписание за техническо обслужване

Интервалите за техническо обслужване са изчислени в зависимост от ежедневната употреба на продукта. Интервалите се променят, ако продуктът не се използва ежедневно.

За техническо обслужване, маркирано със \*, направете справка с *Устройства за безопасност на продукта на страница 28*.

S 138i	При всяка употреба	Всеки месец	Всеки сезон
Извършете обща проверка.	X		
Почистете продукта.	X		
Прегледайте оборудването за вертикутир.	X		
Уверете се, че устройствата за безопасност на продукта не са дефектни. *	X		
Проверете капациите. *	X		
Извършете проверка на ръкохватката за спирачката на двигателя. *	X		
Извършете проверка на блокировката на стартирането. *	X		
Уверете се, че бутонът за ВКЛ./ИЗКЛ. функционира правилно и не е дефектен.	X		
Проверете акумулаторната батерия за повреда.	X		
Извършете проверка на заряда на акумулаторната батерия.	X		
Уверете се, че бутоните за освобождаване на акумулаторната батерия работят изправно и че акумулаторната батерия се фиксира на място в продукта.	X		
Проверете зарядното устройство за акумулаторни батерии за повреда и се уверете, че работи правилно.		X	
Проверете връзките между акумулаторната батерия и продукта. Освен това проверете връзката между акумулаторната батерия и зарядното устройство за акумулаторни батерии.			X

## За извършване на обща проверка

- Уверете се, че всички гайки и винтове на продукта са затегнати.
- Уверете се, че кабелите на продукта не са в положение, в което могат да бъдат повредени.

## За почистване на машината

- Почиствайте пластмасовите части със суха кърпа.

- Не използвайте вода за почистване на продукта. Водата може да навлезе в акумулатора или в двигателя и да причини късо съединение или повреда на продукта.
- Не мийте продукта с устройство за миене под високо налягане.
- Не пръскайте вода директно върху двигателя.
- За отстраняване на листа, трева и прах използвайте четка.

## За почистване на акумулаторната батерия и зарядното устройство за акумулаторни батерии



**ПРЕДУПРЕЖДЕНИЕ:** Не почиствайте акумулаторната батерия или зарядното устройство за акумулаторни батерии с вода.



**ПРЕДУПРЕЖДЕНИЕ:** Не използвайте никакви химически вещества за почистване на акумулаторната батерия.

- Преди да поставите акумулаторната батерия в зарядното устройство за акумулаторни батерии, се уверете, че акумулаторната батерия и зарядното устройство за акумулаторни батерии са чисти и сухи.
- Почистете клемите на акумулаторната батерия със сгъстен въздух или използвайте мека и суха кърпа.
- Почистете повърхностите на акумулаторната батерия и зарядното устройство за акумулаторни батерии с мека и суха кърпа.

## За проверка на оборудването за вертикутир



**ПРЕДУПРЕЖДЕНИЕ:** За да предотвратите случайно стартиране, завъртете ключа за безопасност на 0,

отстранете акумулаторната батерия и изчакайте най-малко 5 секунди.



**ПРЕДУПРЕЖДЕНИЕ:** Носете защитни ръкавици, когато извършвате техническо обслужване на оборудването за вертикутир. Зъбците на оборудването за вертикутир са много остри и можете лесно да се порежете.

- Проверете оборудването за вертикутир за повреди или пукнатини. Винаги сменяйте повредено оборудване за вертикутир.

## За смяна на оборудването за вертикутир



**ПРЕДУПРЕЖДЕНИЕ:** Носете защитни ръкавици, когато изпълнявате дейности, свързани с техническото обслужване на оборудването за вертикутир. Оборудването за вертикутир е много остро и можете лесно да се порежете

1. Поставете продукта на дясната му страна. (Фиг. 40)
2. Отстранете 2-та винта (A) и капака на вертикутира (B). Натиснете оборудването за вертикутир (C) нагоре и навън, за да го премахнете. (Фиг. 41)
3. Натиснете новото оборудване за вертикутир (C) в канала и надолу до отвора. Прикрепете капака на вертикутира (B) и 2-та винта (A) (Фиг. 42)

## Отстраняване на проблеми

### Акумулаторна батерия

Светодиод върху акумулаторната батерия	Причина	Решение
Зеленият светодиод мига.	Напрежението на акумулаторната батерия е ниско.	Заредете акумулаторната батерия. Направете справка с <i>За зареждане на акумулатора на страница 31</i> .
Светодиодът за грешка върху акумулаторната батерия мига.	Акумулаторната батерия е прекалено студена или прекалено гореща за използване.	Оставете акумулаторната батерия да се охлади или я преместете на закрито, за да я загреете. Когато акумулаторната батерия е с правилната температура, тя може да се използва отново. Използвайте акумулаторната батерия в продукта само когато околната температура е 5°C – 40°C.
	Акумулаторната батерия е изтощена.	Заредете акумулаторната батерия. Направете справка с <i>За зареждане на акумулатора на страница 31</i> .

Светодиод върху акумулаторната батерия	Причина	Решение
Светодиодът за грешка върху акумулаторната батерията светва.	Има постоянна грешка в акумулаторната батерия.	Обърнете се към Вашия сервизен дилър на Husqvarna.

## Зарядно устройство за акумулатора

Светодиод на зарядното устройство	Причина	Решение
Светодиодът за грешка мига или светва.	Зарядното устройство за акумулаторни батерии е прекалено студено или прекалено горещо за използване.	Оставете зарядното устройство за акумулаторни батерии да се охлади или го преместете на закрито, за да го загреете. Когато зарядното устройство за акумулаторни батерии е с правилната температура, то може да се използва отново. Използвайте зарядното устройство за акумулаторни батерии само когато околната температура е 5°C – 40°C.
	Други грешки.	Обърнете се към Вашия сервизен дилър на Husqvarna.

## Табло за управление

Грешка	Код на грешка (брой премигвания)	Възможни неизправности	Възможно действие
Светодиодът за грешка мига	3	Двигателят е претоварен.	Намалете дълбочината на работа. Направете справка с <i>За да зададете дълбочина на работа на страница 31</i> . Ако светодиодът за грешка продължи да мига, оборудването за вертикутир е блокирало. За да предотвратите случайно стартиране, завъртете ключа за безопасност на 0, отстранете акумулаторната батерия и изчакайте най-малко 5 секунди. Уверете се, че оборудването за вертикутир се движи свободно. Ако проблемът продължи, се обърнете към оторизиран сервиз.
	5	Оборотите на двигателя спадат прекалено много и двигателят спира.	
	9	Управлението на двигателя е прекалено горещо.	Спрете двигателя и изчакайте, докато се охлади.
	7	Грешка в акумулаторната батерия или липса на сигнал от нея.	Поставете правилно акумулаторната батерия в продукта и проверете конектора на акумулаторната батерия. Ако светодиодът за грешка на акумулаторната батерия мига, направете справка с <i>Акумулаторна батерия на страница 34</i> .
		Акумулаторната батерия е изтощена.	Заредете акумулаторната батерия. Направете справка с <i>За зареждане на акумулатора на страница 31</i> .

Грешка	Код на грешка (брой премигвания)	Възможни неизправности	Възможно действие
Продуктът спира	6	Акумулаторната батерия е изтощена.	Заредете акумулаторната батерия. Направете справка с <i>За зареждане на акумулатора на страница 31</i> .
	Без премигвания.	Грешка в конектора на акумулаторната батерия.	Проверете конектора на акумулаторната батерия.
Други грешки	Ако възникнат други грешки, завъртете ключа за безопасност на 0, отстранете акумулаторната батерия и се обърнете към одобрен сервиз.		

## Транспортиране, съхранение и изхвърляне

### Въведение



**ПРЕДУПРЕЖДЕНИЕ:** За да предотвратите случайно стартиране по време на транспортиране и съхранение, завъртете ключа за безопасност на 0, отстранете акумулаторната батерия и изчакайте минимум 5 секунди.

### Транспортиране

- В сила са изискванията на Законодателството за опасни продукти, отнасящи се до литиево-йонни акумулатори.
- За търговско транспортиране трябва да се спазват специалните изисквания върху опаковката и етикетите.
- Уверете се, че спазвате разпоредбите за опасни материали, когато подготвяте продукта за транспорт. Може да са в сила местни разпоредби.
- Винаги изваждайте акумулатора при транспортиране.
- Поставете тиксо върху конекторите на акумулатора и се уверете, че акумулаторът не може да се движи по време на транспортиране.
- Закрепете продукта по време на транспортиране.

### Съхранение

- Винаги отстранявайте акумулаторните батерии за съхранение.
- Оставете продукта да се охлади, преди да го оставите за съхранение.
- За да се предотвратят инциденти, се уверете, че акумулаторната батерия не е свързана към продукта по време на съхранение.
- Съхранявайте зарядното устройство за акумулаторни батерии в затворено и сухо помещение.

- Съхранявайте акумулаторната батерия и зарядното устройство за акумулаторни батерии на сухо място, където няма влага или скреж.
- При съхранение разкачете акумулаторната батерия от зарядното устройство за акумулаторни батерии.
- Не съхранявайте акумулаторната батерия на място, на което може да се натрупа статично електричество. Не съхранявайте акумулаторната батерия в метална кутия.
- Съхранявайте продукта при околна температура между  $-10^{\circ}\text{C}$  и  $40^{\circ}\text{C}$ .
- Съхранявайте акумулаторната батерия при температура между  $5^{\circ}\text{C}$  и  $25^{\circ}\text{C}$  и далече от слънчева светлина.
- Съхранявайте зарядното устройство за акумулаторни батерии при температура между  $5^{\circ}\text{C}$  и  $45^{\circ}\text{C}$  и далече от слънчева светлина.
- Уверете се, че акумулаторната батерия е заредена до 30% – 50% преди оставяне за съхранение за продължителни периоди.
- Съхранявайте продукта, акумулаторната батерия и зарядното устройство за акумулаторни батерии в заключена площ, недостъпна за деца и неупълномощени лица.
- Почистете продукта и се уверете, че кошът за трева е празен.
- Извършвайте процедурите по техническото обслужване, посочени в това ръководство за оператора. Направете справка с *Разписанието за техническо обслужване на страница 33*.
- Извършете пълно сервизно обслужване преди съхранение за дълъг период от време.

### Изхвърляне

Символите на продукта или на неговата опаковка показват, че този продукт не може да бъде третиран като битов отпадък. Той трябва да бъде подаден в

съответната рециклираща станция за използване на електрическо и електронно оборудване.

Подавайки този продукт на правилното място, вие спомагате за предотвратяване на потенциалното негативно отражение върху околната среда и хората, което би могло да настъпи иначе в резултат на неправилно изхвърляне на този

продукт. За повече подробна информация относно рециклирането на този продукт се свържете с местната администрация, услугите за битови отпадъци или магазина, откъдето сте закупили продукта.

(Фиг. 43)

## Технически данни

### Технически характеристики

<b>S 138i</b>	
<b>Двигател</b>	
Тип на двигателя	BLDC (безчетков) 36 V
Скорост на приставката – SavE, об/мин	3000
Скорост на приставката – номинална, об/мин	3200
Изходна мощност на двигателя – макс. kW	1,28
Изходна мощност на двигателя – номинална, kW	0,9
<b>Тегло</b>	
Тегло без торба (без акумулаторна батерия), kg	19,5
Тегло с торба (вкл. 1 x BLi30), kg	23
<b>Акумулаторна батерия</b>	
Тип акумулаторна батерия	Серия акумулаторни батерии Husqvarna
<b>Време на работа на акумулаторната батерия</b>	
Време за работа на акумулаторната батерия, мин., (свободна работа) при активирана функция SavE с една акумулаторна батерия от 7,5 Ah Husqvarna (BLi30).	195
Време за работа на акумулаторната батерия, мин., (свободна работа) при активиран стандартен режим с една акумулаторна батерия от 7,5 Ah Husqvarna (BLi30).	175
<b>Шумови емисии <sup>4</sup></b>	
Ниво на звуковата мощност, измерено, измерена dB (A)	89
Ниво на звуковата мощност, гарантирано L <sub>WA</sub> dB (A)	91
<b>Нива на шума <sup>5</sup></b>	
Ниво на звуковото налягане при ухото на оператора, dB (A)	75

<sup>4</sup> Емисии на шума в околната среда, измерени като звукова мощност (L<sub>WA</sub>) в съответствие с директива на ЕО 2000/14/ЕО.

<sup>5</sup> Отчетените данни за нивото на звуковото налягане имат фактор на несигурност (K) от 1,5 dB (A).

<b>S 138i</b>	
<b>Нива на вибрациите <sup>6</sup></b>	
Ръкохватка, m/s <sup>2</sup>	5,5
<b>Експлоатация</b>	
Работна дълбочина, макс./мин., mm	-8/+5
Работна ширина, cm	37,5
Приставка режещи зъбци	5973510-01
Приставка за пружинни остриета	5973509-01
Капацитет на коша за трева, литри	45

Одобрени акумулаторни батерии	Тип	Капацитет на акумулаторната батерия, Ah	Напрежение, V	Тегло, lb/kg
BLi30	Литиевойонен	7,5	36	4,2/1,9
40-B140	Литиевойонен	4,0	36	2,6/1,2

Одобрени зарядни устройства за определени акумулаторни батерии, BLi	Входно напрежение, V	Честота, Hz	Мощност, W
40-C80	100 – 240	50 – 60	68,8
QC250	220 – 240	50	250

<sup>6</sup> Отчетените данни за нивата на вибрациите имат фактор на несигурност (K) от 1,5 m/s<sup>2</sup>. Обявената обща стойност на вибрациите е измерена в съответствие със стандарт EN 62841-4-7, приложение I, и може да се използва за сравняване на една машина с друга и при предварителна оценка на излагането.

---

## Декларация за съответствие

---

## Декларация за съответствие на ЕС

Ние, **Husqvarna AB**, SE-561 82 Huskvarna, Швеция,  
тел.: +46-36-146500, декларираме на своя собствена  
отговорност, че продуктът:

<b>Описание</b>	Скарификатор
<b>Марка</b>	Husqvarna
<b>Тип/модел</b>	S 138i
<b>Идентификация</b>	Серийни номера от 2023 г. и след това

отговаря напълно на следните директиви и  
регламенти на ЕС:

<b>Директива/регламент</b>	<b>Описание</b>
2011/65/EC	"по отношение на ограничението за използване на определени опасни вещества в електрическо и електронно оборудване"
2006/42/EO	"относно машините"
2014/30/EC	"относно електромагнитната съвместимост"
2000/14/EO	"относно шумовите емисии в околната среда"

и че следните стандарти и/или технически  
спецификации са приложени: EN 62841-1:2015/  
A11:2022, EN IEC 62841-4-7:2022/A11:2022, EN  
ISO 12100:2010, EN 55014-1:2017/A11:2020, EN  
55014-2:2015, EN IEC 63000:2018.

За информация относно шумовите емисии  
направете справка с *Технически данни на страница  
37.*

Huskvarna, 2023-12-30



Claes Losdal

Мениджър "Разработки и развитие/градински  
продукти"

Husqvarna AB

Отговорен за техническата документация





---

## Obsah

---

Úvod.....	41	Odstraňování problémů.....	50
Bezpečnost.....	42	Přeprava, skladování a likvidace.....	51
Montáž.....	47	Technické údaje.....	52
Provoz.....	47	Prohlášení o shodě.....	54
Údržba.....	49		

---

## Úvod

---

### Popis produktu

Výrobek je elektrický odmechovač s péší obsluhou. Výrobek odstraňuje z trávníku travní plst' a uvolňuje půdu, aby mohl do trávníku lépe pronikat vzduch a voda. Travní plst' se shromažďuje v koši na trávu nebo je uvolněna na trávník. Výrobek má 2 typy ústrojí odmechovače.

### Ústrojí odmechovače

Informace o výměně ústrojí odmechovače naleznete v části *Výměna ústrojí odmechovače na strani 50*.

### Nože

Nože odstraňují travní plst' a svisle přežezávají kořeny trávy. Nože používejte na svazích, terasách a na

### Popis výrobku

(Obr. 1)

1. Rukojeť brzdy motoru
2. Horní část řídicí
3. Ovládací panel
4. Inhibitor spuštění
5. Dolní část řídicí
6. Koš na trávu
7. Zadní kryt
8. Kryt odmechovače
9. Víko baterie
10. Knoflík nastavení pracovní hloubky
11. Bezpečnostní klíček
12. Kontrolka LED zapnutí/vypnutí
13. Tlačítko ZAP/VYP
14. Tlačítko SavE (Úspora energie)
15. Kontrolka LED funkce SavE
16. Ukazatel stavu nabití baterie a tlačítko baterie
17. Pružinové hroty
18. Baterie (příslušenství)
19. Nabíječka baterie (příslušenství)
20. Šestihranný imbusový klíč
21. Návod k používání

půdách s vysokým podílem jílu. Nože umožňují lepší pronikání vody do trávníku a zabraňují jejímu hromadění na povrchu.

(Obr. 17)

### Pružinové hroty

Pružinové hroty opatrně odstraňují odumřelou trávu a travní plst' z trávníku bez poškození kořenů trávy.

(Obr. 18)

### Doporučené použití

Používejte výrobek k odstraňování travní plsti a mechu a uvolňování půdy na soukromých zahradách. K jiným činnostem výrobek nepoužívejte.

### Symbole na výrobku

(Obr. 2) VAROVÁNÍ

(Obr. 3) Přečtěte si pokyny.

(Obr. 4) VAROVÁNÍ – Dávejte pozor na odmrštěné předměty.

(Obr. 5) Udržujte dostatečnou vzdálenost od osob v okolí.

(Obr. 6) VAROVÁNÍ – Ruce a nohy udržujte mimo dosah nožů/hrotů.

(Obr. 7) Před údržbou odpojte baterii.

(Obr. 8) Nevystavujte dešti.

(Obr. 9) Tento výrobek má ochranu proti stříkající vodě.

(Obr. 10) Tento výrobek vyhovuje příslušným směrnícím ES.

(Obr. 11) Tento výrobek vyhovuje platným předpisům Spojeného království.

(Obr. 12) Štítek s emisemi hluku do okolí podle směrnic a předpisů Evropské unie a Spojeného království a nařízení o regulaci hluku v australském Novém Jižním Walesu „Protection of the Environment Operations (Noise Control) Regulation 2017“. Garantovaná hladina akustického výkonu tohoto výrobku je uvedena v části *Technické údaje na straně 52* a na štítku.

(Obr. 15) Odevzdejte výrobek na sběrném místě elektrických a elektronických zařízení. (Platí pouze pro Evropu)

(Obr. 16) Postup spuštění: stiskněte tlačítko ZAP/VYP, povolte inhibitor spouštění, zatlačte rukojeť brzdy motoru směrem dolů.

(Obr. 13) Uvolněním rukojeti brzdy motoru zastavíte.

(Obr. 14) Skenovatelný kód.

---

**Povšimněte si:** Další symboly/štítky na výrobku se týkají certifikačních požadavků pro určité obchodní trhy.

---

## Poškození výrobku

Neneseme odpovědnost za poškození výrobku, pokud:

- byl výrobek nesprávně opraven.
- byl výrobek opraven pomocí součástí od jiného výrobce nebo součástí, které nejsou výrobcem schváleny.
- má výrobek příslušenství od jiného výrobce nebo příslušenství, které není výrobcem schváleno.
- výrobek nebyl opraven ve schváleném servisním středisku nebo schváleným odborníkem.

---

## Bezpečnost

---

### Definice týkající se bezpečnosti

Varování, upozornění a poznámky slouží jako upozornění na specifické důležité části návodu.



**VÝSTRAHA:** Používá se v případě nebezpečí úrazu nebo usmrcení obsluhy nebo okolních osob, pokud nejsou dodrženy pokyny uvedené v této příručce.



**VAROVÁNÍ:** Používá se v případě nebezpečí poškození výrobku, dalších materiálů či škod na majetku v blízkém okolí, pokud nejsou dodrženy pokyny uvedené v této příručce.

**Povšimněte si:** Používá se k poskytnutí dalších informací, které jsou nezbytné v dané situaci.

### Obecná bezpečnostní upozornění k výrobku



**VÝSTRAHA:** Prohlédněte si všechny bezpečnostní pokyny, pokyny, ilustrace a technické údaje dodané s tímto výrobkem. Při nedodržení některého z pokynů uvedených níže může dojít k úrazu elektrickým proudem, požáru nebo vážnému poranění.

**Uložte si veškerá upozornění a pokyny pro použití v budoucnu.** Termín „výrobek“ v upozorněních označuje

přístroj napájený ze sítě (kabelem) nebo napájený baterií (bezdrátový).

### Bezpečnost pracovního prostoru

- **Udržujte pracovní prostor čistý a dobře osvětlený.** Přeplněné či tmavé prostory nahrávají nehodám.
- **Nepoužívejte produkt ve výbušném prostředí, například v přítomnosti hořlavých kapalin, plynů či prachu.** Výrobek vytváří jiskry, které mohou zapálit prach nebo výpary.
- **Při práci s výrobkem musí být děti i okolostojící osoby v dostatečné vzdálenosti.** Rozptýlení může způsobit, že ztratíte kontrolu nad nástrojem.

### Osobní bezpečnost

- **Při práci s výrobkem dávejte pozor, sledujte, co děláte, a používejte zdravý rozum. Výrobek nepoužívejte, pokud jste unaveni nebo jste pod vlivem drog, alkoholu či léků.** Při práci s výrobkem stačí okamžik nepozornosti a následkem může být vážný úraz.
- **Používejte osobní ochranné pomůcky. Vždy používejte ochranu zraku.** Ochranné vybavení, např. protiprachová maska, neklouzavá ochranná obuv, přilba nebo ochrana sluchu, použité správným způsobem snižují nebezpečí úrazu.
- **Zabraňte náhodnému spuštění. Před připojením ke zdroji napájení nebo vložením baterií, zvednutím nebo přenášením výrobku se přesvědčte, že je vypínač v poloze vypnuto.** Přenášení výrobku s prstem na spínači nebo připojování výrobku se zapnutým spínačem ke zdroji napětí zvyšuje riziko nehody.

- **Před zapnutím výrobku odstraňte jakékoliv seřizovací nebo dotahovací klíče.** Klíč ponechaný na rotující části výrobku může způsobit úraz.
- **Nenatahujte se příliš daleko. Neustále pevně stáňte a držte rovnováhu.** Budete tak mít lepší kontrolu nad výrobkem v neočekávaných situacích.
- **Noste vhodný oděv. Nenoste volné oblečení ani šperky. Udržujte vlasy a oděv mimo dosah pohyblivých částí.** Pohyblivé části mohou zachytit volný oděv, šperky nebo dlouhé vlasy.
- **Pokud jsou zařízení přizpůsobena pro připojení odsávací a lapačů prachu, musí být připojeny a správně použity.** Použitím lapačů prachu snižujete rizika spojená s výskytem prachu.
- **Nedovolte, aby rutina nabytá častým používáním výrobku způsobila, že začnete být neopatrní a budete ignorovat bezpečnostní zásady při zacházení s výrobkem.** Neopatrný úkon může způsobit vážné zranění ve zlomku sekundy.

## Použití výrobku a péče o výrobek

- **Výrobek nepřetěžujte. Používejte výrobek, který je pro danou aplikaci určený.** Takový výrobek vykoná práci lépe, bezpečněji a rychleji, pro kterou byl navržen.
- **Výrobek nepoužívejte, pokud nefunguje přepínač pro zapnutí a vypnutí.** Každý výrobek, který nelze ovládat přepínačem, je nebezpečný a musí být opraven.
- **Před jakýmkoli nastavením, výměnou příslušenství nebo uložením elektrického nástroje odpojte zástrčku od napájení nebo z výrobku vytáhněte baterie, pokud je to možné.** Taková preventivní bezpečnostní opatření snižují riziko náhodného spuštění výrobku.
- **Nepoužívaný výrobek ukládejte mimo dosah dětí a nedovolte, aby s ním pracovaly osoby, které ho dobře neznají nebo si nepřečetly tento návod k použití.** Výrobky jsou v rukou neproškolených uživatelů nebezpečné.
- **Provádějte údržbu výrobku a příslušenství. Kontrolujte chybné zarovnaní nebo spojení pohyblivých částí, poškození jakýchkoliv částí nebo jiné stavy, které mohou ovlivnit provoz výrobku. Pokud je výrobek poškozen, nechte ho před použitím opravit.** Mnohé nehody jsou způsobeny špatnou údržbou výrobků.
- **Udržujte řezací nástroje ostré a čisté.** Správně udržované řezací nástroje s ostrým ostřím jsou méně náchylné k „zakousnutí“ a snadněji se ovládají.
- **Používejte výrobek, příslušenství a další části podle těchto pokynů.** V úvahu je třeba brát pracovní podmínky a prováděnou práci. Použití výrobku k jinému účelu, než pro který je určen, může mít za následek vznik nebezpečné situace.
- **Rukojeti a uchopovací plochy udržujte suché, čisté a bez zbytků oleje a maziva.** Kluzké rukojeti a uchopovací plochy neumožňují bezpečné ovládání

a v neočekávaných situacích může dojít ke ztrátě kontroly.

## Použití nástrojů napájených z baterie a péče o ně

- **Baterii dobíjejte pouze nabíječkou specifikovanou výrobcem.** Použití nabíječky vhodné pro jeden typ baterie může pro jiný typ baterie představovat nebezpečí vzniku požáru.
- **Výrobky používejte pouze s příslušnými speciálními bateriovými moduly.** Při použití jakékoli jiné baterie hrozí riziko úrazu a požáru.
- **Když baterii nepoužíváte, udržujte ji stranou od kovových předmětů, např. kancelářských sponek, mincí, klíčů, hřebíků, šroubů nebo jiných malých kovových předmětů, které by mohly spojit kontakty baterie.** Při zkratování kontaktů baterie může dojít k popáleninám nebo k požáru.
- **V nevhodných podmínkách může dojít k vytečení kapaliny z baterie; vyvarujte se kontaktu s kapalinou. Pokud dojde k náhodnému kontaktu, opláchněte postižené místo vodou. Při zasažení očí kapalinou vyhledejte lékařskou pomoc.** Kapalina vyteká z baterie může způsobit podráždění nebo popáleniny.
- **Nepoužívejte poškozenou nebo upravenou baterii nebo výrobek.** Poškozené nebo upravené baterie mohou vykazovat neočekávané chování vedoucí k požáru, výbuchu nebo nebezpečí poranění.
- **Nevystavujte baterii ani nástroj ohni a nadměrným teplotám.** Vystavení ohni a teplotám nad 130 °C / 265°F může způsobit explozi.
- **Dodržujte veškeré pokyny k nabíjení a nenabíjejte baterii ani nástroj mimo rozsah teplot uvedený v pokynech.** Nesprávné nabíjení nebo nabíjení při teplotách mimo uvedený rozsah může mít za následek poškození baterie a zvýšené nebezpečí požáru.

## Servis

- **Servis výrobku smí provádět pouze kvalifikovaná osoba za použití identických náhradních součástí.** To zajistí udržení bezpečnosti výrobku.
- **Nikdy neprovádějte servis poškozených baterií.** Servis baterií smí provádět pouze výrobce nebo autorizovaný servis.

## Bezpečnostní varování pro výrobek

- **Výrobek nepoužívejte za špatného počasí, zejména pokud hrozí riziko blesku.** Snižte tak riziko zasažení bleskem.
- **Důkladně zkontrolujte, zda se v prostoru, kde chcete výrobek používat, nenachází žádná zvířata.** Během provozu výrobku může dojít ke zranění divoké zvěře.
- **Důkladně zkontrolujte prostor, kde chcete výrobek používat, a odstraňte kameny, klacky, dráty, kosti a další předměty.** Odmrštěné předměty mohou způsobit zranění.

- **Před použitím výrobku vždy vizuálně zkontrolujte, zda nejsou nože/hroty a jejich sestava opotřebené nebo poškozené.** Opotřebené nebo poškozené součásti zvyšují riziko poranění.
- **Často kontrolujte, zda není koš na trávu opotřebený nebo poškozený.** Opotřebený nebo poškozený koš na trávu může zvýšit riziko úrazu.
- **Ochranné kryty stroje musí být vždy připevněny. Ochranné kryty musí být v pořádku a správně připevněny.** Pokud je ochranný kryt uvolněný, poškozený nebo nefunguje správně, může dojít ke zranění.
- **Všechny větrací otvory udržujte čisté.** Ucpané větrací otvory mohou způsobit přehřátí nebo požár.
- **Při používání výrobku vždy noste ochrannou protiskluzovou obuv. Výrobek neprovazujte naboso nebo v otevřených sandálech.** Tím snížíte riziko poranění nohou při kontaktu s pohyblivými se noží/hroty.
- **Při používání výrobku vždy noste dlouhé kalhoty.** Odhalená pokožka zvyšuje riziko zranění odletujícími předměty.
- **Nepoužívejte výrobek na mokré trávě. Stroj používejte za chůze, nikdy za běhu.** Snížíte tak riziko uklouznutí, pádu a možného úrazu.
- **Nepoužívejte výrobek na příliš strmých svazích.** Snížíte tak riziko ztráty kontroly, uklouznutí, pádu a možného úrazu.
- **Při práci na svazích dbejte na to, abyste stáli pevně, pohybovali se napříč svahem a nikdy ne do kopce nebo z kopce. Dbejte zvýšené opatrnosti při změně směru.** Snížíte tak riziko ztráty kontroly, uklouznutí, pádu a možného úrazu.
- **Při couvání nebo přitahování výrobku k sobě buďte zvláště opatrní. Vždy dávejte pozor na své okolí.** Tím snížíte riziko zakopnutí.
- **Výrobek držte pouze za izolované úchopy, protože nože/hroty se mohou dostat do styku se skrytou kabeláží či vlastním napájecím kabelem.** Pokud se nože/hroty dostanou do styku s kabelem, který je pod proudem, může dojít k probíjení odkrytých kovových částí stroje a obsluha může utrpět úraz elektrickým proudem.
- **Nedotýkejte se nožů/hrotů ani jiných pohyblivých nebezpečných součástí, dokud se nezaslaví.** Tím snížíte riziko poranění pohyblivými součástmi.
- **Před odstraněním uvízlého materiálu nebo čištěním výrobku se ujistěte, že je vše vypnuto a baterie je odpojena.** Nečekané spuštění výrobku může způsobit vážné zranění.

## Obecné bezpečnostní pokyny



**VÝSTRAHA:** Před použitím výrobku si přečtěte následující varování.

- Tento výrobek je nebezpečný, nepoužívá-li se správně nebo není-li věnována provozu řádná

pozornost. Nedodržení bezpečnostních pokynů může vést ke zranění nebo usmrcení.

- Tento výrobek vytváří během provozu elektromagnetické pole. Toto pole může za určitých okolností narušovat funkci aktivních či pasivních implantovaných lékařských přístrojů. Za účelem snížení rizika možného zranění nebo smrtelného úrazu doporučujeme osobám s implantovanými lékařskými přístroji poradit se před použitím výrobku s lékařem a s výrobcem implantovaného lékařského přístroje.
- Buďte stále opatrní a používejte zdravý rozum. Pokud si nejste jisti, jak výrobek ovládat ve zvláštních situacích, vypněte jej a obraťte se na prodejce Husqvarna, než budete pokračovat v práci.
- Mějte na paměti, že obsluha je odpovědná za nehody a škody vzniklé jiným osobám nebo na jejich majetku.
- Udržujte výrobek čistý. Ujistěte se, že jsou značky a štítky dobře čitelné.
- Nikdy nedovolte dětem nebo osobám, které se neseznámily s těmito pokyny, aby zařízení používaly. Věk obsluhy může být omezen místními předpisy.
- Vždy dohlížejte na osoby s fyzickým nebo mentálním postižením při práci s výrobkem. Vždy musí být přítomna zodpovědná dospělá osoba.
- Nepoužívejte výrobek, jste-li unavení, nemocní nebo pod vlivem alkoholu, drog nebo léků. To by mohlo ovlivnit váš zrak, ostražitost, koordinaci a úsudek.
- Nepoužívejte výrobek, pokud je poškozený nebo nefunguje správně.
- Nikdy neupravujte výrobek a nepoužívejte jej, pokud je možné, že jej upravil někdo jiný.

## Bezpečnost práce



**VÝSTRAHA:** Před použitím výrobku si přečtěte následující varování.

- Tento výrobek používejte pouze k odstraňování travní plsti a mechu z trávníků. Není dovoleno používat výrobek k jiným činnostem.
- Používejte osobní ochranné pomůcky. Viz část *Osobní ochranné prostředky* na straně 45.
- Ujistěte se, že víte, jak v případě nouze rychle zastavit motor.
- Neprovazujte výrobek v dešti a vlhku. To může zvýšit riziko úrazu elektrickým proudem.
- Neprovazujte výrobek, pokud nejsou správně namontovány nože/hroty a všechny kryty. V opačném případě by se nože/hroty mohly uvolnit a způsobit zranění.
- Zajistěte, aby nože/hroty nenarazily do předmětů, jako jsou kameny a kořeny. Mohlo by dojít k poškození nožů/hrotů a ohnutí hřídele motoru. Ohnutí hřídele způsobuje velké vibrace a hrozí velmi vysoké riziko uvolnění nožů/hrotů.

- Pokud nože/hroty narazí do nějakého předmětu nebo se objeví vibrace, výrobek okamžitě zastavte. Zastavte motor, otočte bezpečnostní klíček do polohy 0 a vyjměte baterii. Počkejte, až se pohyblivé části zastaví. Zkontrolujte, zda není výrobek poškozený. Povolené díly dotáhněte. Opravte závady a vyměňte poškozené díly. Opravy by měl provést schválený servis.
- Po nastartování motoru nikdy nepřipevňujte rukojeť brzdy motoru trvale k rukojeti sekačky.
- Umístěte výrobek na stabilní, rovný povrch a nastartujte jej. Zkontrolujte, zda nože/hroty nemohou přijít do kontaktu se zemí nebo cizími objekty.
- Při práci s výrobkem vždy stůjte za ním.
- Při provozu nechte všechna kola spočívat na zemi a držte řídlíka oběma rukama. Ruce a nohy udržujte mimo dosah rotujících nožů/hrotů.
- Výrobek nenakláňejte při spouštění motoru nebo během provozu.
- Buďte opatrní při tažení výrobku dozadu.
- Nikdy výrobek nezvedejte, když je spuštěný motor. Pokud musíte výrobek zvednout, nejprve vypněte motor, otočte bezpečnostní klíček do polohy 0 a vyjměte baterii.
- Při práci s výrobkem nechoďte směrem dozadu.
- Vypněte motor, pokud je nutně výrobek naklonit kvůli přepravě nebo před přejezdem ploch bez trávy, jako jsou cesty ze šterku, kamenů nebo asfaltu.
- Neběhejte s výrobkem, když je spuštěný motor. Při práci s výrobkem vždy pouze chodte.
- Před změnou pracovní hloubky vypněte motor. Nikdy neupravujte nastavení při spuštěném motoru.
- Nikdy nenechte výrobek se spuštěným motorem bez dozoru. Zastavte motor, otočte bezpečnostní klíček do polohy 0 a vyjměte baterii. Ujistěte se, že ústrojí odmechovače se neatáčí.
- Vibrace spuštěného výrobku se mohou lišit od hodnoty uvedené v části *Technické údaje na strani 52*. Rozdíl je způsoben odchylkami ve způsobu používání výrobku. Pokud výrobek provozujete často nebo po delší časové intervaly, dělejte pravidelné přestávky, abyste předešli zraněním způsobeným vibracemi.

## Bezpečnostní pokyny pro provoz

### Osobní ochranné prostředky



**VÝSTRAHA:** Před použitím výrobku si přečtěte následující varování.

- Osobní ochranné prostředky nemohou zcela eliminovat nebezpečí úrazu, ale v případě nehody pomáhají snížit míru poranění. Požádejte prodejce, aby vám pomohl vybrat správné vybavení.

- Používejte odolnou obuv s protiskluzovou podrážkou. Nepoužívejte otevřenou obuv ani nepracujte naboso.
- Používejte silné, dlouhé kalhoty.
- Při určitých činnostech používejte ochranné rukavice, například při nasazování, prohlídce nebo čištění žacího ústrojí.
- Doporučujeme používat ochranu sluchu.

### Bezpečnostní zařízení na produktu



**VÝSTRAHA:** Před použitím výrobku si přečtěte následující varování.

- Nepoužívejte výrobek s poškozenými bezpečnostními zařízeními nebo se zařízeními, která nefungují správně.
- Neodstraňujte ani neupravujte bezpečnostní zařízení.
- Pravidelně kontrolujte bezpečnostní zařízení. Pokud jsou bezpečnostní zařízení poškozená nebo nefungují správně, obraťte se na schválený servis Husqvarna.

### Kontrola krytů

Kryt ústrojí odmechovače snižuje vibrace výrobku a snižuje nebezpečí poranění ústrojím odmechovače.

- Zkontrolujte boční kryt odmechovače, aby bylo zajištěno, že nevykazuje známky poškození, např. praskliny.
- Zkontrolujte zadní kryt, aby bylo zajištěno, že nevykazuje známky poškození, např. praskliny.

### Rukojeť brzdy motoru

Rukojeť brzdy motoru slouží k zastavení motoru. Když uvolníte rukojeť brzdy motoru, motor se zastaví.

Chcete-li zkontrolovat funkci brzdy motoru, nastartujte motor a uvolníte rukojeť brzdy motoru. Pokud se motor nevypne během 3 sekund, požádejte schváleného servisního pracovníka Husqvarna o seřízení brzdy motoru.

(Obr. 19)

### Bezpečnostní klíček

Bezpečnostní klíček se nachází pod víkem baterie. Bezpečnostní klíček se používá k připojení baterie, která funguje jako zdroj napájení motoru.

- Kontrolu funkce bezpečnostního klíčku provedete spuštěním a vypnutím motoru.
- Pokud bezpečnostní klíček funguje správně, motor se spustí pouze po otočení klíčku do polohy 1.

(Obr. 20)

### Kontrola inhibitoru spuštění

Provedte kontrolu inhibitoru spuštění a ujistěte se, že brání provozu motoru.

1. Zatlačte rukojeť brzd motoru směrem k řídítkům. Inhibitor spuštění zastaví pohyb.
2. Zatlačte inhibitor spuštění směrem ven. (Obr. 21)
3. Uvolněte inhibitor spuštění a ujistěte se, že se vrátí do své výchozí polohy.

## Bezpečnostní pokyny týkající se baterí



**VÝSTRAHA:** Před použitím výrobku si přečtěte následující varování.

- Dobíjecí baterie Husqvarna používejte jako zdroj napájení pouze pro příslušné výrobky Husqvarna. Abyste zabránili zranění, nepoužívejte baterii jako zdroj napájení pro jiná zařízení.
- Nepoužívejte baterie, které nejsou určeny k dobíjení.
- Nebezpečí úrazu elektrickým proudem. Svorky baterie nepřipojujte ke klíčům, mincím, šroubkům nebo jiným kovovým předmětům. Může to způsobit zkrat baterie.
- Nevkládejte do větracích otvorů baterie žádné předměty.
- Chraňte baterii před sluncem, teplem nebo otevřeným ohněm. Baterie může explodovat a způsobit popáleniny nebo chemické popáleniny.
- Chraňte baterii před deštěm a vlhkým prostředím.
- Chraňte baterii před mikrovlnami a vysokým tlakem.
- Baterii nikdy nerozebírejte nebo nerozbíjejte.
- Pokud baterie netěsní, kapalina nesmí přijít do styku s kůží a očima. V případě styku s kapalinou omyjte zasaženou oblast velkým množstvím vody a vyhledejte lékařskou pomoc.
- Baterii v výrobku používejte pouze při okolních teplotách v rozsahu 5–40 °C.
- Nabíječku používejte pouze při okolních teplotách v rozsahu 5–40 °C.
- Baterie se nebude nabíjet, pokud je její teplota vyšší než 50 °C.
- Baterii ani nabíječku baterii nečistěte vodou. Viz část *Baterie na strani 50*.
- Nepoužívejte poškozenou baterii.
- Baterie uchovávejte mimo dosah kovových předmětů, jako jsou např. hřebíky, mince nebo šperky.

## Bezpečnostní pokyny pro nabíječku baterí



**VÝSTRAHA:** Před použitím výrobku si přečtěte následující varování.

- Nabíječku QC používejte pouze pro nabíjení náhradních baterií Husqvarna.
- Hrozí nebezpečí zkratu a úrazu elektrickým proudem. Nevkládejte do větracích otvorů nabíječky žádné předměty. Nabíječku baterií nerozebírejte. Nepřipojujte svorky nabíječky ke kovovým

předmětům. Používejte schválenou elektrickou zásuvku.

- Tento výrobek vytváří během provozu elektromagnetické pole. Toto pole může za určitých okolností narušovat funkci aktivních či pasivních implantovaných lékařských přístrojů. Za účelem snížení rizika možného zranění nebo smrtelného úrazu doporučujeme osobám s implantovanými lékařskými přístroji poradit se před použitím výrobku s lékařem a s výrobcem implantovaného lékařského přístroje.
- Pravidelně kontrolujte, zda není napájecí kabel poškozený a nejsou na něm praskliny.
- Nabíječku nezvedejte pomocí napájecího kabelu. Když nabíječku baterií odpojujete z elektrické zásuvky, tahejte za zástrčku. Netahejte za napájecí kabel.
- Uchovávejte napájecí kabel a prodlužovací šňůry mimo dosah vody, oleje a ostrých hran. Dejte pozor, aby nebyl kabel přivřen v dveřích, nezachytil se za plot a podobně. Mohlo by dojít k probíjení nabíječky.
- Nečistěte nabíječku vodou.
- Nabíječku baterií smí používat děti starší 8 let a osoby se sníženými fyzickými, smyslovými nebo duševními schopnostmi nebo nedostatečnými zkušenostmi či znalostmi pod dozorem odpovědné osoby nebo pokud jim takováto osoba poskytne pokyny, které zajistí, že budou nabíječku používat bezpečným způsobem. Děti si s nabíječkou nesmí hrát. Čištění a údržbu nesmí provádět děti bez dozoru.
- V nabíječce nenabíjejte baterie, které nejsou dobíjecí.
- Nabíječku nepoužívejte v blízkosti hořlavých nebo korozivních materiálů. Nabíječku baterií nezakrývejte. V případě, že zaznamenáte kouř nebo požár, vytáhněte zástrčku kabelu nabíječky baterií ze zásuvky.
- Nepoužívejte vadnou nebo poškozenou nabíječku baterií.
- Baterii nabíjejte pouze uvnitř, a to v dobře odvětrané místnosti a mimo dosah slunečních paprsků. Nenabíjejte baterii ve vlhkém prostředí.

## Bezpečnostní pokyny pro údržbu



**VÝSTRAHA:** Před použitím výrobku si přečtěte následující varování.

- Neúmyslnému spuštění během údržby můžete zabránit tím, že otočíte bezpečnostní klíček do polohy 0 a vyjmete baterii. Před zahájením údržby počkejte minimálně 5 sekund.
- Správným provedením údržby zvýšíte životnost výrobku a snížíte nebezpečí nehod. Odborné opravy by měl provést schválený servis. Pro další informace se obraťte na nejbližší servis.

- Provádějte pouze údržbu uvedenou v tomto návodu k používání. Rozsáhlejší zásahy musí provést schválený servis.
- Abyste zabránili zranění, neodstraňujte ani neupravujte bezpečnostní zařízení.
- Při manipulaci s ústrojím odmechovače používejte silné rukavice. Ústrojí odmechovače je velmi ostré a může snadno dojít k pořezání.
- Pro dosažení nejlepšího výsledku a bezpečnosti zajistěte, aby byly nože/hroty na ústrojí odmechovače čisté a ostré.
- Zajistěte pravidelné kontroly a provádění potřebného seřízení a oprav výrobku v servisu.
- Poškozené, opotřebované či prasklé součásti vyměňte. Vždy používejte originální náhradní díly od výrobce. Jiné náhradní díly mohou výrobek poškodit a zvýšit riziko nehod.
- Dodržujte pokyny pro výměnu příslušenství. Používejte výhradně příslušenství od výrobce.
- Pokud není výrobek, baterie a nabíječka baterií právě v provozu, uchovávejte je samostatně v suchém, vnitřním a uzamčeném prostoru. Zajistěte, aby k výrobku, baterii či nabíječce neměly přístup děti ani nepovolané osoby.

## Montáž

### Úvod



**VÝSTRAHA:** Před montáží výrobku si přečtěte kapitolu o bezpečnosti.



**VÝSTRAHA:** Neúmyslnému spuštění během montáže můžete zabránit tím, že otočíte bezpečnostní klíček do polohy 0, vyjmete baterii a počkáte alespoň 5 sekund.

### Montáž rukojeti

1. Povolte spodní matici.
2. Posuňte knoflíky na spodní konec drážky na pravé i na levé straně výrobku. (Obr. 22)
3. Nastavte výšku rukojeti do jedné ze 2 dostupných poloh.

4. Posuňte knoflíky směrem k rukojeti, dokud se nezastaví a neuslyšíte cvaknutí. (Obr. 23)
5. Knoflíky řádně utáhněte.

### Montáž koše na trávu

1. Vložte rám do koše na trávu tak, aby pevná část koše směřovala dolů. Dbejte na to, aby bylo madlo rámu na venkovní straně koše. (Obr. 24)
2. Nasaďte spodní část rámu do drážky na spodní straně koše na trávu.
3. Připevněte koš na trávu k rámu pomocí svorek. (Obr. 25)
4. Zvedněte zadní kryt.
5. Umístěte koš na trávu do správné polohy. (Obr. 26)
6. Upevněte sběrací koš k hornímu okraji podvozku. Zkontrolujte, zda je zadní kryt utěsněn proti koši na trávu, aby nedocházelo k úniku materiálu. (Obr. 27)

## Provoz

### Úvod



**VÝSTRAHA:** Před používáním produktu je třeba, abyste si přečetli a porozuměli kapitole o bezpečnosti.

### Husqvarna Connect

Husqvarna Connect je bezplatná aplikace pro mobilní zařízení. Aplikace Husqvarna Connect dodá vašemu výrobku Husqvarna doplňkové funkce:

- Rozšířené informace o výrobku.
- Informace o dílech a servisu a nápověda pro tyto položky.

### Jak začít používat aplikaci Husqvarna Connect

1. Stáhněte si aplikaci Husqvarna Connect do svého mobilního zařízení.

2. V aplikaci Husqvarna Connect se zaregistrujte.
3. Při připojování a registraci výrobku postupujte podle pokynů v aplikaci Husqvarna Connect.

### Nastavení pracovní hloubky



**VÝSTRAHA:** Nenastavujte pracovní hloubku během používání výrobku.

1. Zatlacením a otočením knoflíku nastavení pracovní hloubky proti směru hodinových ručiček zvýšíte pracovní hloubku.
2. Zatlacením a otočením knoflíku nastavení pracovní hloubky ve směru hodinových ručiček snížíte pracovní hloubku. (Obr. 28)

## Baterie



**VÝSTRAHA:** Před použitím baterie je třeba, abyste si přečetli a porozuměli kapitole o bezpečnosti. Rovněž je nezbytné, abyste si přečetli a pochopili návod k používání baterie a nabíječky baterií.

Baterii i nabíječku skladujte za správné okolní teploty.

	Okolní teplota
Provoz baterie	5 až 40 °C
Nabíjení baterie	5 až 40 °C

### Stav baterie

Displej ukazuje zbývající kapacitu baterie a zda došlo k problémům s baterií. Stisknutím tlačítka ukazatele stavu baterie získáte informace o stavu nabití baterie. Pokud dojde k chybě, rozsvítí se na baterii výstražný symbol. Viz část *Baterie na strani 50*.

(Obr. 29)

Kontrolky LED	Stav baterie
Všechny kontrolky LED svítí.	Plně nabití (76–100 %).
Svítí kontrolky LED 1, LED 2, LED 3.	Baterie je nabitá na 51–75 %.
Svítí kontrolky LED 1, LED 2.	Baterie je nabitá na 26–50 %.
Svítí kontrolka LED 1.	Baterie je nabitá na 6–25 %.
Bliká kontrolka LED 1.	Baterie je nabitá na 0–5 %.

### Nabití baterie

Před prvním použitím baterii nabijte. Baterie je při dodání zákazníkovi nabitá pouze na 30 %.

**Povšimněte si:** Nabíječka baterií musí být připojena ke zdroji o napětí a frekvenci uvedené na typovém štítku.

Pokud teplota baterie přesahuje 50 °C, baterie se nenabíjí. Před zahájením nabíjení zajistí nabíječka baterií snížení teploty baterie.

1. Připojte jeden konec napájecího kabelu nabíječky baterií do zásuvky na nabíječce baterií.
2. Připojte druhý konec napájecího kabelu nabíječky baterií do uzemněné elektrické zásuvky. Kontrolka LED na nabíječce baterií jednou zeleně blikne. (Obr. 30)

3. Vložte baterii do nabíječky baterií. Když je baterie správně připojena k nabíječce baterií, rozsvítí se na nabíječce zelené světlo. (Obr. 31)
4. Když svítí všechny kontrolky LED baterie, baterie je plně nabitá. Baterii nabíjejte maximálně po dobu 24 hodin.
5. Když nabíječku baterií odpojujete z elektrické zásuvky, tahejte za zástrčku, nikoliv za kabel.
6. Vyjměte baterii z nabíječky.

### Spuštění výrobku

1. Vložte nabitou baterii do přihrádky číslo 1 pod víkem baterie. Pro dosažení delší doby provozu vložte druhou baterii do přihrádky číslo 2.
2. Otočte bezpečnostní klíček do polohy 1. (Obr. 32)
3. Postavte se za výrobek.
4. Na ovládacím panelu stiskněte tlačítko ON/OFF (ZAP/VYP) (A). Rozsvítí se zelená kontrolka LED (B). (Obr. 33)
5. Povolte inhibitor spuštění. (Obr. 34)
6. Zatačte rukojeť brzdy motoru směrem k říditkům. (Obr. 35)

### Použití funkce SavE

Výrobek má funkci úspory energie v bateriích (SavE), která prodlužuje dobu provozu.

1. Funkci zapnete stisknutím tlačítka SavE (A). Rozsvítí se zelená kontrolka LED. (Obr. 36)
2. Opětovným stiskem tlačítka SavE funkci vypnete. Zelená kontrolka LED (B) zhasne.

### Funkce vysokého zatížení

Když výrobek seká dlouhou či mokrou travu, motor automaticky zvýší své otáčky. Když není režim vysokého zatížení potřeba, motor se vrátí do standardního režimu.

### Zastavení motoru

Během provozu se může nůž a motor dočasně zastavit z důvodu překážek, jako je například nahromadění trávy pod krytem žacího ústrojí. Pokud v takovém případě ponecháte rukojeť brzdy motoru stisknutou, výrobek se automaticky znovu nastartuje. Pokud se výrobek do 5 až 10 sekund znovu nenastartuje, bude zřejmě nutné vyčistit žací ústrojí. Viz část *Čištění výrobku na strani 50*.



**VÝSTRAHA:** Pokud se motor zastaví, výrobek se pokusí automaticky znovu nastartovat po dobu 5 až 10 sekund. Před kontrolou krytu žacího ústrojí počkejte minimálně 15 sekund.





**VÝSTRAHA:** Před kontrolou stavu žacího ústrojí uvolněte rukojeť brzdy motoru, otočte bezpečnostní klíček do polohy 0, vyjměte baterii a počkejte minimálně 5 sekund. Pokud byste pouze odstranili překážku provozu, hrozí riziko poranění náhodným spuštěním výrobku.

## Zastavení výrobku

Výrobek se automaticky vypne, když s ním 10 minut nepracujete. Nikdy nenechte výrobek se spuštěným motorem bez dozoru. Zastavte motor, otočte bezpečnostní klíček do polohy 0 a vyjměte baterii. Ujistěte se, že ústrojí odmechovače se neatáčí.

1. Zastavte motor uvolněním rukojeti brzdy motoru. (Obr. 37)
2. Na ovládacím panelu stiskněte tlačítko ZAP/VYP (A). Zelená kontrolka LED (B) zhasne. (Obr. 33)
3. Otevřete víko baterie a otočte bezpečnostní klíček do polohy 0. (Obr. 38)
4. Chcete-li baterii vyjmout, stiskněte současně 2 tlačítka pro uvolnění baterie a baterii vytáhněte. (Obr. 39)
5. Pokud je baterie vybitá, nabijte ji. Další informace najdete v části *Nabití baterie na strani 48*.

## Údržba

### Úvod

Podrobnější informace jsou uvedeny v části [www.husqvarna.com](http://www.husqvarna.com).



**VÝSTRAHA:** Před prováděním údržby je třeba, abyste si přečetli kapitolu o bezpečnosti a porozuměli jí.

Pro servis a opravy výrobku je nezbytné speciální školení. Garantujeme dostupnost profesionálních oprav a servisu. Pokud prodejce neposkytuje servisní služby, požádejte jej o informace o nejbližším servisu.

### Plán údržby

Intervaly údržby se vypočítávají na základě každodenního používání výrobku. Intervaly se mění, není-li výrobek používán denně.

Pro údržbu označenou symbolem \* najdete pokyny v části *Bezpečnostní zařízení na produktu na strani 45*.

S 138i	Každé použití	Měsíčně	Každou sezónu
Proveďte běžnou kontrolu.	X		
Vyčistěte výrobek.	X		
Zkontrolujte ústrojí odmechovače.	X		
Zkontrolujte, zda nejsou vadná bezpečnostní zařízení výrobku. *	X		
Zkontrolujte kryty. *	X		
Zkontrolujte rukojeť brzdy motoru. *	X		
Zkontrolujte inhibitor spuštění. *	X		
Zkontrolujte, že tlačítko ZAP/VYP funguje správně a není vadné.	X		
Zkontrolujte, zda není baterie poškozena.	X		
Zkontrolujte úroveň nabití baterie.	X		
Zkontrolujte, zda na baterii fungují tlačítka pro uvolnění baterie a zda baterie drží ve výrobku.	X		
Zkontrolujte, zda není nabíječka baterií poškozena a ujistěte se, že funguje správně.		X	
Zkontrolujte připojení mezi baterií a výrobkem. Rovněž zkontrolujte připojení mezi baterií a nabíječkou baterií.			X

## Provedení běžné kontroly

- Zajistěte, aby byly matice a šrouby na výrobku správně dotažené.
- Zkontrolujte, že kabely výrobku nejsou na místě, kde by mohlo dojít k jejich poškození.

## Čištění výrobku

- Plastové části čistěte čistou a suchou utěrkou.
- Nečistěte výrobek vodou. Voda může proniknout do baterie nebo motoru a způsobit zkrat nebo poškození výrobku.
- K čištění výrobku nepoužívejte vodu pod vysokým tlakem.
- Motor nesmí být přímo oplachován vodou.
- Pomocí kartáče odstraňte listí, trávu a nečistoty.

## Čištění baterie nebo nabíječky baterií



**VÝSTRAHA:** Baterii ani nabíječku baterií nečistěte vodou.



**VÝSTRAHA:** K čištění baterie nepoužívejte žádné chemické látky.

- Než vložíte baterii do nabíječky, zkontrolujte, zda jsou baterie a nabíječka baterie čisté a suché.
- Očistěte kontakty baterie stlačeným vzduchem nebo použijte měkkou a suchou utěrkou.
- Očistěte povrch baterie a nabíječku baterie měkkou a suchou utěrkou.

## Kontrola ústrojí odmechovače



**VÝSTRAHA:** Neúmyslnému spuštění můžete zabránit tak, že otočíte bezpečnostní klíček do polohy 0, vyjmete baterii a počkáte minimálně 5 sekund.



**VÝSTRAHA:** Při provádění údržby ústrojí odmechovače používejte ochranné rukavice. Nože/hroty na ústrojí odmechovače jsou velmi ostré a může snadno dojít k pořežání.

- Zkontrolujte, zda ústrojí odmechovače není poškozené nebo prasklé. Poškozené ústrojí odmechovače vždy vyměňte.

## Výměna ústrojí odmechovače



**VÝSTRAHA:** Při provádění údržby ústrojí odmechovače používejte ochranné rukavice. Ústrojí odmechovače je velmi ostré a může snadno dojít k pořežání.

1. Položte výrobek na jeho pravou stranu. (Obr. 40)
2. Vyšroubujte 2 šrouby (A) a sejměte kryt odmechovače (B). Zatlacením nahoru a ven vysuňte ústrojí odmechovače (C). (Obr. 41)
3. Zasuňte nové ústrojí odmechovače (C) do drážky a dolů do otvoru. Upevněte kryt odmechovače (B) pomocí 2 šroubů (A). (Obr. 42)

## Odstraňování problémů

### Baterie

Kontrolka LED na baterii	Příčina	Řešení
Zelená kontrolka LED bliká.	Napětí baterie je nízké.	Nabijte baterii. Viz část <i>Nabití baterie na strani 48</i> .
Bliká chybová kontrolka LED baterie.	Baterie je příliš studená nebo příliš horká pro použití.	Nechte baterii vychladnout nebo ji přesuňte do interiéru, aby se zahřála. Když má baterie správnou teplotu, lze ji znovu použít. Baterii ve výrobku používejte pouze při okolních teplotách v rozsahu 5–40 °C.
	Baterie je vybitá.	Nabijte baterii. Viz část <i>Nabití baterie na strani 48</i> .
Rozsvítí se chybová kontrolka LED baterie.	Došlo k trvalé chybě baterie.	Obrat'te se na servisního prodejce Husqvarna.

## Nabíječka baterií

Kontrolka LED na nabíječce baterií	Příčina	Řešení
Chybová kontrolka LED bliká nebo svítí.	Nabíječka je příliš studená nebo příliš horká pro použití.	Nechte nabíječku vychladnout nebo ji přesuňte do interiéru, aby se zahřála. Když má nabíječka správnou teplotu, lze ji znovu použít. Nabíječku používejte při okolních teplotách v rozsahu 5–40 °C.
	Jiné chyby.	Obraťte se na servisního prodejce Husqvarna.

## Ovládací panel

Chyba	Chybový kód (počet bliknutí)	Možné závady	Možná akce
Bliká chybová kontrolka LED	3	Motor je přetížený.	Snižte pracovní hloubku. Viz část <i>Nastavení pracovní hloubky na strani 47</i> . Pokud kontrolka LED stále bliká, je ústrojí odmechovače zablokované. Neúmyslnému spuštění můžete zabránit tím, že otočíte bezpečnostní klíček do polohy 0, vyjmete baterii a počkáte alespoň 5 sekund. Zkontrolujte, zda se ústrojí odmechovače může volně otáčet. Pokud potíže přetrvávají, obraťte se na autorizovaný servis.
	5	Otáčky motoru klesnou příliš nízkou a motor se zastaví.	
	9	Došlo k přehřátí ovládání motoru.	Zastavte motor a počkejte, než vychladne.
	7	Chyba baterie nebo žádný signál z baterie.	Vložte správně baterii do výrobku a zkontrolujte konektor baterie. Pokud chybová kontrolka LED na baterii bliká, vyhledejte informace v části <i>Baterie na strani 50</i> .
		Baterie je slabá.	Nabijte baterii. Viz část <i>Nabití baterie na strani 48</i> .
Výrobek se vypíná.	6	Baterie je slabá.	Nabijte baterii. Viz část <i>Nabití baterie na strani 48</i> .
		Nebliká.	Selhání konektoru baterie. Zkontrolujte konektor baterie.
Jiné chyby	Pokud se objeví jiná chyba, otočte bezpečnostní klíček do polohy 0, vyjměte baterii a obraťte se na schváleného servisního pracovníka.		

## Přeprava, skladování a likvidace

### Úvod

do polohy 0, vyjmete baterii a počkáte alespoň 5 sekund.



**VÝSTRAHA:** Neúmyslnému spuštění během přepravy a skladování můžete zabránit tím, že otočíte bezpečnostní klíček

### Přeprava

- Na dodané Li-ion baterie se vztahují požadavky legislativy o nebezpečném zboží.

- Při komerční přepravě musí být dodrženy speciální požadavky na balení a označení.
- Při přípravě výrobku k přepravě nezapomeňte dbát předpisů pro nebezpečné materiály. Mohou platit místní předpisy.
- Při přepravě vždy vyjměte baterii.
- Přepleťte konektory baterie páskou a zajistěte, aby se baterie při přepravě nemohla pohybovat.
- Během přepravy výrobek zajistěte.
- Před dlouhodobým uskladněním se ujistěte, že je baterie nabitá na 30 až 50 %.
- Produkt, baterii a nabíječku baterií skladujte v uzamčeném prostoru mimo dosah dětí a nepovolaných osob.
- Vyčistěte výrobek a ujistěte se, že je koš na trávu prázdný.
- Proveďte postupy údržby uvedené v tomto návodu k používání. Viz část *Plán údržby na straně 49*.
- Před dlouhodobým uskladněním proveďte kompletní servis.

## Skladování

- Při skladování baterie vždy vyjímějte.
- Před uskladněním nechte výrobek vychladnout.
- Abyste zabránili nehodám, zajistěte, aby při skladování nebyla baterie připojená k výrobku.
- Nabíječku baterií uchovávejte na uzavřeném a suchém místě.
- Baterii a nabíječku baterií uchovávejte na suchém místě, kde nehrozí vlhkost či mráz.
- Při skladování baterii odpojte od nabíječky baterií.
- Neskladujte baterii v místech, kde může docházet k výbojům statické elektriny. Neskladujte baterii v kovovém obalu.
- Umístěte výrobek na místo, kde je teplota v rozsahu  $-10$  až  $40$  °C.
- Baterii uchovávejte na místě s teplotou mezi  $5$  °C a  $25$  °C a mimo dosah slunečních paprsků.
- Nabíječku baterií uchovávejte na místě s teplotou mezi  $5$  °C a  $45$  °C a mimo dosah slunečních paprsků.

## Likvidace

Symbole na produktu nebo jeho obalu označují, že tento výrobek nesmí být likvidován jako domácí odpad. Musí být odevzdán do příslušné recyklační stanice pro recyklaci elektrických a elektronických zařízení.

Zajištěním odpovídající likvidace tohoto výrobku pomůžete zabránit potenciálnímu negativnímu dopadu na životní prostředí a zdraví lidí, který by jinak mohl být důsledkem nesprávné likvidace tohoto výrobku. Podrobnější informace o recyklaci tohoto výrobku získáte na městském úřadě, u služby zajišťující zpracování domácího odpadu nebo v prodejně, kde jste výrobek zakoupili.

(Obr. 43)

## Technické údaje

### Technické údaje

<b>S 138I</b>	
<b>Motor</b>	
Typ motoru	BLDC (bezkomutátorový) 36 V
Otáčky ústrojí – SavE, ot/min	3 000
Otáčky ústrojí – jmenovité, ot/min	3200
Výkon motoru – max., kW	1,28
Výkon motoru – jmenovitý, kW	0,9
<b>Hmotnost</b>	
Hmotnost bez koše (bez baterie), kg	19,5
Hmotnost s košem (vč. 1 x BLi30), kg	23
<b>Baterie</b>	
Typ baterie	Řada baterií Husqvarna
<b>Doba provozu baterie</b>	

<b>S 138i</b>	
Provozní doba baterie, min, (volný chod) s aktivovanou funkcí SavE, s jednou baterií Husqvarna 7,5 Ah (BLi30).	195
Provozní doba baterie, min, (volný chod) s aktivovaným standardním režimem, s jednou baterií Husqvarna 7,5 Ah (BLi30).	175
<b>Emise hluku <sup>7</sup></b>	
Hladina akustického výkonu, změřená dB (A)	89
Hladina akustického výkonu, zaručená L <sub>WA</sub> dB (A)	91
<b>Hladiny hluku <sup>8</sup></b>	
Hladina akustického tlaku na sluch obsluhy, dB (A)	75
<b>Úrovně vibrací <sup>9</sup></b>	
Řídítka, m/s <sup>2</sup>	5,5
<b>Provoz</b>	
Pracovní hloubka, max./min., mm	-8/+5
Pracovní šířka, cm	37,5
Ústrojí, nože	5973510-01
Ústrojí, pružinové hroty	5973509-01
Kapacita koše na trávu, litry	45

Schválené baterie	Typ	Kapacita baterie, Ah	Napětí, V	Hmotnost, lb/kg
BLi30	Lithium-iontová	7,5	36	4,2/1,9
40-B140	Lithium-iontová	4	36	2,6/1,2

Schválené nabíječky pro uvedené baterie, BLi	Vstupní napětí, V	Frekvence, Hz	Výkon, W
40-C80	100–240	50–60	68,8
QC250	220–240	50	250

<sup>7</sup> Emise hluku do okolního prostředí měřené jako akustický výkon (L<sub>WA</sub>) v souladu se směrnicí 2000/14/ES.

<sup>8</sup> Uváděná data pro hladinu akustického tlaku mají faktor odchylky (K) 1,5 dB (A).

<sup>9</sup> Uváděná data pro hladinu vibrací mají faktor odchylky (K) 1,5 m/s<sup>2</sup>. Deklarovaná celková hodnota vibrací byla měřena podle normy EN 62841-4-7, příloha I a lze ji použít ke vzájemnému porovnávání strojů i k předběžnému zhodnocení působení na uživatele.

---

## Prohlášení o shodě

---

## Prohlášení o shodě EU

Společnost **Husqvarna AB**, SE-561 82 Huskvarna, Švédsko, tel.: +46-36-146500, na svou výhradní odpovědnost prohlašuje, že výrobek:

<b>Popis</b>	Vertikutátor
<b>Značka</b>	Husqvarna
<b>Typ/Model</b>	S 138i
<b>Identifikace</b>	Výrobní čísla od roku 2023 a dále

je zcela ve shodě s následujícími směrniciemi a předpisy EU:

<b>Směrnice/předpis</b>	<b>Popis</b>
2011/65/EU	„o omezení používání některých nebezpečných látek v elektrických a elektronických zařízeních“
2006/42/ES	„o strojních zařízeních“
2014/30/EU	„o elektromagnetické kompatibilitě“
2000/14/ES	„týkající se emisí hluku do okolního prostředí“

a že byly použity následující normy nebo technické specifikace: EN 62841-1:2015/A11:2022, EN IEC 62841-4-7:2022/A11:2022, EN ISO 12100:2010, EN 55014-1:2017/A11:2020, EN 55014-2:2015, EN IEC 63000:2018.

Informace o emisích hluku najdete v části *Technické údaje na straní 52*.

Huskvarna, 2023-12-30



Claes Losdal

Ředitel vývoje zahradního sortimentu

Husqvarna AB

Osoba odpovědná za technickou dokumentaci



---

## Indhold

---

Indledning.....	56	Fejlfinding.....	65
Sikkerhed.....	57	Transport, opbevaring og bortskaffelse.....	66
Montering.....	62	Tekniske data.....	67
Drift.....	62	Overensstemmelseserklæring.....	69
Vedligeholdelse.....	64		

---

## Indledning

---

### Produktbeskrivelse

Produktet er en elektrisk vertikalskærer med gående fører. Produktet fjerner filt fra græsplænen og løsner jorden, så luft og vand kan komme ned i plænen. Filten opsamles i en græsopsamler eller kastes ud på græsplænen. Dette produkt har 2 typer af vertikalskærerudstyr.

### Vertikalskærerudstyr

Se *Sådan udskiftes vertikalskærerudstyret på side 65* for at få oplysninger om udskiftning af vertikalskæreren udstyr.

### Knivtænder

Knivtænderne fjerner mos og klipper græsrodderne lodret. Brug knivtænderne på skråninger, terrasser og

i jord, der er meget lerholdig. Knivtænderne lader vandet komme ned i græsplænen og forhindrer, at der samler sig vand på overfladen

(Fig. 17)

### Fjederknive

Fjederknivene fjerner forsigtigt dødt græs og filt fra græsplænen uden at beskadige græsrodderne.

(Fig. 18)

### Anvendelsesformål

Brug dette produkt til at fjerne filt og mos og til at løsne jorden i private haver. Brug ikke produktet til andre opgaver.

### Produktoversigt

(Fig. 1)

1. Motorbremsehåndtag
2. Øvre del af styret
3. Betjeningspanel
4. Startspærre
5. Nederste styr
6. Græsopsamler
7. Bageste afskærmning
8. Afskærmning til vertikalskærer
9. Batterilåg
10. Justeringsgreb til arbejdsdybde
11. Sikkerhedsnøgle
12. LED-indikator for ON/OFF
13. ON/OFF-knap
14. SavE-knap
15. LED-indikator for SavE
16. Batteriopladningsindikator og batteriknap
17. Fjedertænder
18. Batteri (tilbehør)
19. Batterioplader (tilbehør)
20. Sekskantnøgle
21. Brugervejledning

### Symboler på produktet

(Fig. 2)      ADVARSEL

(Fig. 3)      Læs instruktionerne.

(Fig. 4)      ADVARSEL – Pas på genstande, der slynges ud.

(Fig. 5)      Hold andre personer på afstand.

(Fig. 6)      ADVARSEL – Hold hænder og fødder væk fra tænderne.

(Fig. 7)      Frakobl batteriet før vedligeholdelse.

(Fig. 8)      Må ikke udsættes for regn.

(Fig. 9)      Dette produkt er beskyttet mod vandstænk.

(Fig. 10)      Dette produkt er i overensstemmelse med gældende EF-direktiver.

(Fig. 11)      Dette produkt er i overensstemmelse med gældende UK-bestemmelser.



(Fig. 12) Mærket vedrørende emission af støj til omgivelserne i henhold til direktiver og regulativer i EU og Storbritannien og New South Wales' lovgivning om "Beskyttelse af miljøet (støjbegrænsning) forordning 2017". Produktets garanterede lydeffektniveau er angivet i *Tekniske data på side 67* og på mærkatens.

(Fig. 15) Aflever produktet på en genbrugsstation for elektrisk og elektronisk udstyr. (Gælder kun Europa)

(Fig. 16) Startprocedure: Tryk på ON/OFF-knappen, løsn startspærren, tryk motorbremsehåndtaget ned.

(Fig. 13) Slip motorbremsehåndtaget for at stoppe.

(Fig. 14) Kode, der kan scannes.

---

**Bemærk:** Andre symboler/mærkater på produktet henviser til certificeringskrav på visse markeder.

---

## Skader på produktet

Vi er ikke ansvarlige for skader på vores produkt, hvis:

- produktet er forkert repareret.
- produktet er repareret med dele, der ikke er fra producenten eller ikke er godkendt af producenten
- produktet har tilbehør, der ikke er fra producenten eller ikke er godkendt af producenten.
- produktet ikke er repareret på et godkendt servicecenter eller af en godkendt myndighed.

---

## Sikkerhed

---

### Sikkerhedsdefinitioner

Advarsler, forholdsregler og bemærkninger bruges til at pege på særligt vigtige dele af brugsanvisningen.



**ADVARSEL:** Bruges, hvis føreren udsætter sig selv eller omkringstående personer for risiko for personskade eller dødsfald ved tilsidesættelse af instruktionerne i brugsanvisningen.



**BEMÆRK:** Bruges, hvis der er risiko for skader på produktet, andre materialer eller det omgivende område ved tilsidesættelse af instruktionerne i brugsanvisningen.

**Bemærk:** Bruges til at give yderligere oplysninger, der er nødvendige i en given situation.

### Generelle sikkerhedsadvarsler for produktet



**ADVARSEL:** Læs alle sikkerhedsadvarsler, instruktioner, illustrationer og specifikationer, der følger med dette produkt. Hvis du ignorerer de nedenfor anførte instruktioner, kan det medføre elektrisk stød, brand og/eller alvorlige skader.

**Opbevar alle advarsler og instruktioner til senere brug.** Betegnelsen "produkt" i advarslerne henviser til dit produkt, som drives af strøm fra elektricitetsnettet (med ledning) eller fra batteri (ledningsfrit).

### Sikkerhed i arbejdsområdet

- **Hold arbejdsområdet rent og godt oplyst.** Rodede eller mørke områder er en invitation til ulykker.
- **Betjen ikke produktet i områder med eksplosionsfare som f.eks. i nærheden af brændbare væsker, luftarter eller støv.** Produktet danner gnister, som kan antænde støvet eller dampene.
- **Hold børn og omkringstående personer væk, mens produktet betjenes.** Distraktion kan få dig til at miste styringen.

### Personlig sikkerhed

- **Vær opmærksom, hold øje med, hvad du foretager dig, og brug sund fornuft, når du betjener et produkt. Benyt ikke et produkt, hvis du er træt eller er påvirket af narkotika, alkohol eller medicin.** Et øjeblikvis uopmærksomhed under betjening af produkter kan resultere i alvorlig personskade.
- **Bær personligt beskyttelsesudstyr. Brug altid beskyttelsesbriller.** Beskyttelsesudstyr som støvmaske, skridsikre sikkerhedssko, beskyttelseshjelm eller hørevern, som benyttes til de relevante formål vil nedsætte risikoen for personskade.
- **Sørg for at forhindre uønsket start af værktøjet. Sørg for, at kontakten er i frakoblet position, før du slutter produktet til strømkilden og/eller batterienheden, samt når du tager eller bærer produktet.** At bære produkter med fingeren på kontakten eller at sætte strøm til produkter med tændt kontakt udgør en risiko for ulykker.
- **Fjern alle indstillingsværktøjer og skruenøgler, før elværktøjet tændes.** En skruenøgle eller et værktøj, der efterlades fastsiddende i en roterende del af produktet, kan forårsage personskade.

- **Stræk dig ikke for langt. Sørg for altid at have godt fodfæste og god balance.** Dette sikrer bedre kontrol over produktet i uventede situationer.
- **Bær det korrekte tøj. Undgå at bære løstsiddende tøj eller smykker. Hold hår og tøj væk fra bevægelige dele.** Løst tøj, smykker eller langt hår kan blive fanget af bevægelige dele.
- **Hvis der forefindes udstyr til støvudsugning og -opsamling, skal du sikre, at det er tilsuttet, og at det bruges korrekt.** Brug af støvopsamling kan nedbringe støvrelaterede farer.
- **Lad ikke erfaringen fra tidligere brug af produkter gøre dig eftergivende, så du ignorerer sikkerhedsprincipperne for produktet.** En uforsigtig handling kan give alvorlige skader på en brøkdæl af et sekund.

## Brug og pleje af produktet

- **Tving aldrig produktet. Brug det korrekte produkt til din opgave.** Det korrekte produkt udfører arbejdet bedre og mere sikkert ved den hastighed, som det er konstrueret til.
- **Brug ikke produktet, hvis kontakten ikke kan slå det til og fra.** Ethvert produkt, som ikke kan styres med kontakten, er farligt og skal repareres.
- **Tag stikket ud af stikkontakten og/eller fjern batterienheden, hvis den kan tages ud, fra produkter, før du foretager justeringer, skifter tilbehør eller sætter dem til opbevaring.** Denne form for forebyggende sikkerhedsforanstaltninger nedsætter risikoen for, at produktet sættes i gang ved et uheld.
- **Når de ikke er i brug, skal produkter opbevares uden for børns rækkevidde, og personer, der ikke er bekendt med produktet eller disse instruktioner, må ikke kunne komme til at betjene produktet.** Produkter er farlige i hænderne på utrænede brugere.
- **Vedligeholdelse af produkter og tilbehør. Kontrollér, om bevægelige dele sidder korrekt, eller om de binder. Se også efter, om der er defekte dele, og kontrollér alle andre forhold, som kan påvirke driften af produktet. Hvis produktet er beskadiget, skal det repareres, før det bruges igen.** Mange ulykker skyldes dårligt vedligeholdt produkter.
- **Hold skæreprodukter skarpe og rene.** Korrekt vedligeholdelse af skæreprodukter med skarpe klinger er mindre tilbøjelige til at binde og er lettere at styre.
- **Benyt produktet, tilbehøret, værktøjsbits osv. i overensstemmelse med disse instruktioner, og tag højde for arbejdsforholdene og det arbejde, der skal udføres.** Hvis produktet bruges til andre formål end de tiltænkte, kan der opstå en farlig situation.
- **Hold håndtag og gribeblader tørre, rene og frie for olie og fedt.** Glatte håndtag og gribeblader muliggør ikke sikker håndtering og kontrol af produktet i uventede situationer.

## Brug og pleje af batteriredskaber

- **Genoplad kun med den oplader, som producenten foreskriver.** En oplader, der egner sig til en bestemt

type batteripakke, kan medføre risiko for brand, hvis den benyttes sammen med en anden batteripakke.

- **Brug kun produkter sammen med de batterienheder, der er beregnet specifikt til dem.** Brug af andre batterienheder medfører risiko for skader og brand.
- **Når batterienheden ikke anvendes, skal du holde den væk fra andre metalgenstande, såsom papir, clips, mønter, nøgler, søm, skruer eller andre små metalgenstande, der kan kortslutte polerne.** Kortslutning af batteripolerne kan forårsage forbrændinger eller brand.
- **Under ugunstige forhold kan der sprøjte væske ud fra batteriet, undgå kontakt. Hvis væsken alligevel berøres, skal der skylles med vand. Hvis du får væske i øjnene, skal du søge læge.** Væske, der trænger ud af batteriet, kan forårsage irritation og ætsningsskader.
- **Brug ikke en batteripakke eller et værktøj, som er beskadiget eller modificeret.** Beskadigede eller modificerede batterier kan opføre sig uforudsigeligt og medføre brand, eksplosion eller risiko for personskade.
- **Udsæt ikke en batteripakke eller et værktøj for brand eller høje temperaturer.** Udsættelse for brand eller temperatur over 130 °C / 265 °F kan forårsage eksplosion.
- **Følg alle opladningsanvisninger, og oplad ikke batteripakken eller værktøjet uden for det temperaturområde, der er angivet i instruktionerne.** Forkert opladning eller opladning ved temperaturer uden for det specificerede område kan beskadige batteriet og øge risikoen for brand.

## Service

- **Få en kvalificeret reparatør til at foretage service på produktet, og brug kun originale reservedele.** Dette sikrer, at produktet altid fungerer sikkert.
- **Der må aldrig udføres service på beskadigede batteripakker.** Service på batteripakker bør kun udføres af producenten eller autoriserede serviceudbydere.

## Sikkerhedsadvarsler for produktet

- **Brug ikke produktet i dårligt vejr, specielt hvis der er risiko for lynnedslag.** Dette mindsker risikoen for at blive ramt af lynnedslag.
- **Undersøg grundigt det område, hvor produktet skal bruges, for at se, om der er dyr.** Vilde dyr kan komme til skade af produktet under betjening.
- **Undersøg grundigt det område, hvor produktet skal bruges, og fjern alle sten, pinde, kabler, knogler og andre uvedkommende genstande.** Udkastede genstande kan forårsage alvorlige personskader.
- **Før brug skal produktet altid efterses visuelt for at kontrollere, at tænderne og tænderenheden ikke er slidte eller beskadigede.** Beskadigede eller slidte dele øger risikoen for personskade.

- **Græsopsamleren skal hyppigt kontrolleres for slitage og effektivitetsforringelse.** En slidt eller beskadiget græsopsamler kan øge risikoen for personskade.
- **Hold skærmene på plads. Skærmene skal være i driftsklar stand og monteret korrekt.** En skærm, der er løs, beskadiget eller ikke fungerer korrekt, kan medføre personskade.
- **Hold alle køleluftsindtag fri for snavs.** Blokerede luftindtag og snavs kan medføre overophedning eller risiko for brand.
- **Brug altid skridsikret og beskyttende fodtøj, når du betjener produktet. Betjen ikke produktet med bare fødder eller åbne sandaler.** Dette reducerer risikoen for, at fødderne kommer i kontakt med de bevægelige tænder.
- **Bær altid lange bukser, når du betjener produktet.** Blotlagt hud øger sandsynligheden for skader fra udslyngede genstande.
- **Betjen ikke produktet i vådt græs. Gå. Løb aldrig.** Dette reducerer risikoen for at glide og falde, hvilket kan medføre personskade.
- **Betjen ikke produktet på meget stejle skråninger.** Dette reducerer risikoen for tab af kontrol og for at glide og falde, hvilket kan medføre personskade.
- **Når du arbejder på skråninger, skal du altid være sikker på, at du står godt fast. Arbejd altid på tværs af skråninger, aldrig op eller ned, og udvis stor forsigtighed, når du skifter retning.** Dette reducerer risikoen for tab af kontrol og for at glide og falde, hvilket kan medføre personskade.
- **Vær yderst forsigtig, når du bækker eller trækker produktet mod dig selv. Vær altid opmærksom på omgivelserne.** Dette reducerer risikoen for at snuble under drift.
- **Hold produktet i de isolerede gribeflader, da tænderne kan komme i kontakt med skjulte ledninger eller deres egen ledning.** Tænder, der kommer i kontakt med en strømførende ledning, vil muligvis medføre, at maskinens fritliggende metaldele bliver "levende" og kan give operatøren elektrisk stød.
- **Rør ikke ved tænder og andre farlige bevægelige dele, mens de stadig er i bevægelse.** Dette reducerer risikoen for personskade som følge af bevægelige dele.
- **Når du fjerner fastsiddende materiale eller rengør produktet, skal du sørge for, at alle kontakter er slået fra, og at batteripakken er frakoblet.** Uventet betjening af produktet kan medføre alvorlig personskade.

## Generelle sikkerhedsinstruktioner



**ADVARSEL:** Læs følgende advarelsinstruktioner, inden du bruger produktet.

- Dette produkt er farligt, hvis det bruges forkert, eller hvis du ikke er forsigtig. Personskeade eller dødsfald kan forekomme, hvis du ikke overholder sikkerhedsinstruktionerne.
- Dette produkt danner et elektromagnetisk felt under betjening. Dette felt kan i visse tilfælde påvirke aktive eller passive medicinske implantater. For at reducere risikoen for alvorlige eller døbringende kvæstelser anbefaler vi, at personer med medicinske implantater kontakter deres læge og producenten af det medicinske implantat, før de tager produktet i brug.
- Vær altid forsigtig, og brug din sunde fornuft. Hvis du ikke er sikker på, hvordan produktet betjenes en særlig situation: Stop, og kontakt Husqvarna-forhandleren, inden du fortsætter.
- Vær opmærksom på, at brugeren er ansvarlig for ulykker, der involverer andre personer eller disses ejendom.
- Hold produktet rent. Sørg for, at skilte og mærkater er tydeligt læsbare.
- Lad aldrig børn eller personer, der ikke kender apparatet, bruge det. Der kan være lokale regler for, hvor gammel brugeren skal være.
- Hold altid øje med personer med nedsat fysisk eller mental kapacitet, der bruger produktet. En voksen skal være til stede hele tiden.
- Brug ikke produktet, hvis du er træt, syg eller påvirket af alkohol, narkotika eller medicin. Det har en negativ virkning på synet, overblikket, koordinationssevnen og dømmekraften.
- Brug ikke produktet, hvis det er beskadiget eller ikke fungerer korrekt.
- Foretag ikke ændringer på produktet, og undlad at bruge det, hvis der er risiko for, at det er blevet ændret af andre.

## Arbejdssikkerhed



**ADVARSEL:** Læs følgende advarelsinstruktioner, inden du bruger produktet.

- Brug kun dette produkt til at fjerne filt og mos fra græsplæner. Det er ikke tilladt at bruge det til andre opgaver.
- Bær personligt beskyttelsesudstyr. Se *Personligt beskyttelsesudstyr på side 60*.
- Sørg for, at du ved, hvordan du standser motoren hurtigt i nødstilfælde.
- Betjen ikke produktet i regn eller våde omgivelser. Dette kan øge risikoen for elektrisk stød.

- Betjen ikke produktet, medmindre tænderne og alle afskærmninger er monteret korrekt. Forkert monterede tænder kan løse sig og forårsage personskade.
- Sørg for, at tænderne ikke rammer genstande som f.eks. sten og rødder. Det kan beskadige tænderne og bøje motorakslen. En bøjet aksel giver kraftige vibrationer og stor risiko for, at tænderne løsner sig.
- Hvis tænderne rammer en genstand, eller der opstår vibrationer, skal du straks standse produktet. Stands motoren, drej sikkerhedsnøglen til 0, og afmonter batteriet. Vent, indtil bevægelige dele stopper. Undersøg, om produktet er blevet beskadiget. Spænd løse dele. Reparér skader, og udskift beskadigede dele. Lad et godkendt serviceværksted udføre reparationen.
- Fastgør aldrig motorbremsehåndtaget permanent på styret, når motoren er startet.
- Anbring produktet på et stabilt, fladt underlag, og start det. Sørg for, at tænderne ikke rammer jorden eller andre genstande.
- Hold dig altid bag produktet, mens du betjener det.
- Lad alle hjulene blive på jorden, og hold 2 hænder på styret, når du betjener produktet. Hold hænder og fødder på sikker afstand af de roterende tænder.
- Vip ikke produktet, når du starter motoren eller under betjening af produktet.
- Vær forsigtig, når du trækker produktet baglæns.
- Løft aldrig produktet, når motoren er startet. Hvis du skal løfte produktet, skal du først standse motoren, dreje sikkerhedsnøglen til 0 og afmontere batteriet.
- Gå ikke baglæns, når du betjener produktet.
- Stands motoren, når det er nødvendigt at vippe produktet i forbindelse med transport, eller før du kører på tværs af områder uden græs, f.eks. stier lavet af grus, sten og asfalt.
- Undlad at løbe med produktet, når motoren er startet. Gå altid, når du betjener produktet.
- Stands motoren, inden du ændrer arbejdsdybden. Udfør aldrig justeringer, mens motoren kører.
- Efterlad aldrig produktet uden opsyn, når motoren er startet. Stands motoren, drej sikkerhedsnøglen til 0, og afmonter batteriet. Sørg for, at vertikalskærerudstyret ikke roterer.
- Vibrationerne i produktet under betjening kan være forskellige fra den angivne vibrationsværdi i *Tekniske data på side 67*. Forskellen skyldes variationer i, hvordan produktet anvendes. Hvis du bruger produktet ofte eller i længere tid ad gangen, skal du holde pauser regelmæssigt for at undgå skader som følge af vibrationer.

- Personligt beskyttelsesudstyr udelukker ikke fuldstændigt risikoen for personskader, men det mindsker graden af skaderne i tilfælde af, at der skulle ske en ulykke. Lad forhandleren hjælpe dig med at vælge det rigtige udstyr.
- Brug kraftige, skridsikre støvler eller sko. Brug ikke åbne sko, og gå heller ikke på bare fødder.
- Brug kraftige, lange bukser.
- Brug om nødvendigt beskyttelseshandsker, f.eks. ved montering, eftersyn eller rengøring af skæreudstyret.
- Vi anbefaler brugen af høreværn.

## Sikkerhedsanordninger på produktet



**ADVARSEL:** Læs følgende advarselsinstruktioner, inden du bruger produktet.

- Brug ikke et produkt med sikkerhedsanordninger, der er beskadigede eller ikke fungerer korrekt.
- Du må ikke fjerne eller foretage ændringer af sikkerhedsanordninger.
- Kontrollér sikkerhedsanordningerne regelmæssigt. Hvis sikkerhedsanordningerne er beskadigede eller ikke fungerer korrekt, skal du kontakte dit Husqvarna-serviceværksted.

## Sådan kontrolleres afskærmningerne

Vertikalskærerens afskærmning mindsker vibrationer i produktet og reducerer risikoen for skader fra vertikalskærerudstyret.

- Undersøg vertikalskærerens sideafskærmning for at sikre, at der ikke er skader såsom revner.
- Undersøg bageste afskærmning for at sikre, at der ikke er skader såsom revner.

## Motorbremsehåndtag

Motorbremsehåndtaget standser motoren. Når motorbremsehåndtaget slippes, standser motoren.

Ved kontrol af motorbremsen startes motoren, hvorefter motorbremsehåndtaget slippes. Hvis motoren ikke standser inden for 3 sekunder, skal et godkendt Husqvarna-serviceværksted justere motorbremsen.

(Fig. 19)

## Sikkerhedsnøgle

Sikkerhedsnøglen findes under batterilåget. Sikkerhedsnøglen bruges til at forbinde det batteri, der forsyner motoren med strøm.

- Start og stop motoren for at kontrollere sikkerhedsnøglen.
- Hvis sikkerhedsnøglen fungerer korrekt, starter motoren kun, når nøglen er i position 1.

(Fig. 20)

## Sikkerhedsinstruktioner for drift

### Personligt beskyttelsesudstyr



**ADVARSEL:** Læs følgende advarselsinstruktioner, inden du bruger produktet.

## Sådan efterses startspærren

Efterses startspærren for at sikre, at den forhindrer drift af motoren.

1. Skub bøjlen til fremtrækket i retning mod håndtaget. Startspærren standser bevægelsen.
2. Skub startspærren ud. (Fig. 21)
3. Slip startspærren, og sørg for, at den returnerer til udgangspositionen.

## Batterisikkerhed



**ADVARSEL:** Læs følgende advarselsinstruktioner, inden du bruger produktet.

- Brug kun genopladelige Husqvarna-batterier som strømforsyning til relaterede Husqvarna-produkter. For at undgå personskade må batteriet ikke anvendes som strømforsyning til andre produkter.
- Undgå at bruge ikke-genopladelige batterier.
- Risiko for elektrisk stød. Tilslut ikke batteripolerne til nøgler, mønter, skruer eller andre metalgenstande. Dette kan medføre en kortslutning af batteriet.
- Sæt ikke genstande ind i batteriets luftspalte.
- Hold batteriet væk fra sollys, varme og åben ild. Batteriet kan eksplodere og forårsage forbrændinger og/eller kemiske forbrændinger.
- Hold batteriet væk fra regn og våde omgivelser.
- Hold batteriet væk fra mikrobølger og højt tryk.
- Forsøg ikke at skille batteriet ad eller ødelægge det.
- Hvis batteriet lækker, skal du sørge for, at væsken ikke kommer i kontakt med hud eller øjne. Ved kontakt med væsken skal du skylle området med en stor mængde vand og derefter opsøge lægehjælp.
- Brug kun batteriet i produktet, hvis omgivelsestemperaturen er mellem 5 °C og 40 °C.
- Brug kun batteriopladeren, hvis omgivelsestemperaturen er mellem 5 °C og 40 °C.
- Batteriet oplades ikke, hvis batteriets temperatur er højere end 50 °C.
- Batteriet eller batteriopladeren må aldrig rengøres med vand. *Se Batteri på side 65.*
- Brug ikke et beskadiget batteri.
- Opbevar batterierne væk fra metalgenstande som f.eks. søm, mønter og smykker.

## Batteriopladersikkerhed



**ADVARSEL:** Læs følgende advarselsinstruktioner, inden du bruger produktet.

- Brug udelukkende QC-batteriopladerne til at oplade udskiftelige Husqvarna-batterier.
- Risiko for elektrisk stød eller kortslutning. Sæt ikke genstande ind i opladerens luftspalter. Forsøg aldrig at adskille batteriopladeren. Forbind ikke

batteriopladerens poler med metalgenstande. Brug en godkendt stikkontakt.

- Dette produkt danner et elektromagnetisk felt under betjening. Dette felt kan i visse tilfælde påvirke aktive eller passive medicinske implantater. For at reducere risikoen for alvorlige eller dødbringende kvæstelser anbefaler vi, at personer med medicinske implantater kontakter deres læge og producenten af det medicinske implantat, før de tager produktet i brug.
- Undersøg regelmæssigt, at ledningen til batteriopladeren er intakt, og at der ikke er revner i den.
- Løft aldrig batteriopladeren ved hjælp af ledningen. Træk stikket ud for at afbryde batteriopladeren fra stikkontakten. Træk ikke i strømkablet.
- Hold strømledningen og forlængerledninger væk fra vand, olie og skarpe kanter. Sørg for, at ledningen ikke bliver klemt i døre, hegn eller lignende. Det kan medføre, at opladeren bliver strømførende.
- Batteriopladeren må aldrig rengøres med vand.
- Denne batterioplader kan bruges af børn fra 8 år og opad samt af personer med nedsatte fysiske, følelsesmæssige eller mentale evner eller manglede erfaring og viden, hvis de er under opsyn eller har modtaget træning i brugen af batteriopladeren på en sikker måde og forstår farerne, der er forbundet med brugen. Børn må ikke lege med batteriopladeren. Rengøring og vedligeholdelse må ikke udføres af børn uden overvågning.
- Ikke-genopladelige batterier må ikke oplades i batteriopladeren.
- Brug ikke batteriopladeren i nærheden af brandfarlige materialer eller materialer, der kan medføre korrosion. Tildæk ikke batteriopladeren. I tilfælde af røgafgivelse eller brand skal batteriopladeren afbrydes fra stikkontakten.
- Brug ikke en defekt eller beskadiget batterioplader.
- Oplad kun batteriet indendørs på et sted med god ventilation og beskyttet mod direkte sollys. Oplad ikke batteriet under våde forhold.

## Sikkerhedsinstruktioner for vedligeholdelse



**ADVARSEL:** Læs følgende advarselsinstruktioner, inden du bruger produktet.

- For at undgå utilsigtet start i forbindelse med vedligeholdelse, skal du dreje sikkerhedsnøglen til 0 og fjerne batteriet. Vent i mindst 5 sekunder, før du påbegynder vedligeholdelsen.
- Udfør vedligeholdelsesarbejde korrekt for at øge levetiden for produktet og mindske risikoen for ulykker. Lad et godkendt serviceværksted udføre professionelle reparationer. Kontakt dit nærmeste serviceværksted for at få flere oplysninger.

- Foretag kun den form for vedligeholdelsesarbejde, der er angivet i denne brugervejledning. Mere omfattende arbejde skal udføres af et godkendt serviceværksted.
- For at forhindre skader må du ikke fjerne eller foretage ændringer af sikkerhedsanordninger.
- Ifør dig kraftige handsker, når du anvender vertikalskærerudstyret. Vertikalskærerudstyret er meget skarpt, og du kan nemt komme til at skære dig.
- Hold tænderne på vertikalskærerudstyret skarpe og rene for at sikre den bedste og mest sikre ydeevne.
- Lad jævnligt serviceværkstedet efterse produktet og foretage de nødvendige justeringer og reparationer.
- Udskift beskadigede, slidte eller defekte dele. Brug altid originale reservedele fra producenten. Andre reservedele kan beskadige produktet og øge risikoen for ulykker.
- Følg vejledningen for, hvordan du udskifter tilbehør. Brug kun tilbehør fra producenten.
- Når de ikke er i drift, skal du holde produktet, batteriet og batteriopladeren adskilt et tørt, indendørs og aflåst sted. Sørg for, at børn og personer, som ikke er godkendt, ikke kan få adgang til produktet, batteriet eller batteriopladeren.

---

## Montering

---

### Indledning



**ADVARSEL:** Før du samler produktet, skal du læse sikkerhedskapitlet.



**ADVARSEL:** Før at undgå utilsigtet start under monteringen, skal du dreje sikkerhedsnøglen til 0, fjerne batteriet og vente i mindst 5 sekunder.

### Sådan samles styret

1. Løsn de nederste skruelhåndtag.
2. Flyt grebene til den nederste ende af rillerne på venstre og højre side af produktet. (Fig. 22)
3. Sæt håndtagets højde i en af de 2 mulige stillinger.
4. Flyt grebene op i retning af håndtaget, indtil de stopper, og der høres et klik. (Fig. 23)

5. Spænd skruelhåndtagene hårdt.

### Sådan samles græsopsamleren

1. Fastgør græsopsamlerens ramme til græsposen med den afstivede del af posen nederst. Hold håndtaget på rammen oven på græsposen. (Fig. 24)
2. Fastgør den nederste del af græsopsamlerens ramme i sporet i bunden af græsopsamleren.
3. Fastgør græsposen til græsopsamlerens ramme med clipsene. (Fig. 25)
4. Løft det bageste dæksel.
5. Flyt græsopsamleren til den korrekte position. (Fig. 26)
6. Fastgør græsopsamleren på chassisets øverste kant. Sørg for, at det bageste dæksel slutter til mod græsopsamleren for at undgå lækage. (Fig. 27)

---

## Drift

---

### Indledning



**ADVARSEL:** Før du bruger produktet, skal du læse og forstå kapitlet om sikkerhed.

### Husqvarna Connect

Husqvarna Connect er en gratis app til din mobile enhed. Appen Husqvarna Connect giver udvidede funktioner til dit Husqvarna produkt:

- Yderligere produktoplysninger.
- Oplysninger om, og hjælp til, dele og service.

### Sådan kommer du i gang med at bruge Husqvarna Connect

1. Download Husqvarna Connect appen på din mobile enhed.
2. Tilmeld dig i Husqvarna Connect appen.
3. Følg instruktionerne i Husqvarna Connect appen for at tilslutte og registrere produktet.

### Sådan indstilles arbejdsdybden



**ADVARSEL:** Undlad at justere arbejdsdybden, mens produktet betjenes.

1. Tryk og drej justeringsgrebet til arbejdsdybde mod uret for at øge arbejdsdybden.

- Tryk og drej justeringskraven til arbejdsdybde med uret for at reducere arbejdsdybden. (Fig. 28)

## Batteri



**ADVARSEL:** Inden brug af produktet skal du læse og sætte dig ind i kapitlet om sikkerhed. Du skal også læse og sætte dig ind i brugsanvisningen for batteriet og batteriopladeren.

Opbevar batteriet og batteriopladeren i de korrekte omgivende temperaturer.

	Omgivelsestemperatur
Betjening af batteriet	5 °C - 40 °C
Opladning af batteriet	5 °C - 40 °C

## Batteristatus

Displayet viser batteriets resterende batterikapacitet, og om der er problemer med batteriet. Tryk på batteriindikatorknappen for at få oplysninger om status for opladning af batteriet. Advarselssymbolet på batteriet er tændt, når der er sket en fejl. Se *Batteri på side 65*.

(Fig. 29)

LED-lygter	Batteristatus
Alle LED'er er tændt	Fuldt opladet (76-100 %)
LED 1, LED 2 og LED 3 er tændt	Batteriet er opladet 51-75 %
LED 1 og LED 2 er tændt	Batteriet er opladet 26-50 %
LED 1 er tændt	Batteriet er opladet 6-25 %.
LED 1 blinker	Batteriet er opladet 0-5 %.

## Sådan oplades batteriet

Oplad batteriet, inden første ibrugtagning. Batteriet er kun 30 % opladet, når det leveres til kunden.

**Bemærk:** Batteriopladeren skal tilsluttes til den spænding og frekvens, der fremgår af typeskiltet.

Batteriet oplades ikke, hvis batteriets temperatur er over 50 °C. Batteriopladeren sænker batteriets temperatur, før det begynder at oplade.

- Forbind den ene ende af ledningen til batteriopladeren til stikket på batteriopladeren.
- Forbind den anden ende af ledningen til batteriopladeren til en jordet stikkontakt. LED'en på batteriopladeren blinker grønt én gang. (Fig. 30)

- Isæt batteriet i batteriopladeren. Den grønne lampe på opladeren lyser, når batteriet er korrekt forbundet med batteriopladeren. (Fig. 31)
- Når alle LED'erne på batteriet er tændt, er batteriet fuldt opladet. Oplad batteriet i maks. 24 timer.
- For at afbryde batteriopladeren fra stikkontakten, skal du trække i stikket, ikke i ledningen.
- Fjern batteriet fra batteriopladeren.

## Sådan startes produktet

- Isæt et opladet batteri i batterirum nummer 1 under batterilåget. For længere driftstid, skal du isætte et andet opladet batteri i batterirum nummer 2.
- Drej sikkerhedsnøglen til 1. (Fig. 32)
- Stil dig bag produktet.
- Tryk på ON/OFF-knappen (A) på betjeningspanelet, og den grønne LED (B) tænder. (Fig. 33)
- Løsn startspærren. (Fig. 34)
- Skub bøjlen til fremtrækket i retning mod styret. (Fig. 35)

## Sådan bruges SavE-funktionen

Produktet har en batterisparefunktion (SavE), der giver længere driftstid.

- Tryk på SavE-knappen (A) for at starte funktionen. Den grønne LED tænder. (Fig. 36)
- Tryk på SavE-knappen igen for at standse funktionen. Den grønne LED (B) slukker.

## Høj belastningsfunktion

Når produktet klipper langt eller vådt græs, øger motoren automatisk o/min. Motoren skifter tilbage til standardtilstand, når høj belastning ikke er nødvendigt.

## Motoren stopper

Under betjening kan kniven og motoren midlertidigt stoppe på grund af forhindringer som f.eks. græsblokering under klippeskjoldet. Hvis dette sker, og du holder motorbremsehåndtaget trykket ned, så genstarter produktet automatisk. Hvis produktet ikke genstarter i løbet af 5-10 sekunder, kan det være nødvendigt at rengøre under klippeskjoldet. Se *Sådan rengøres produktet på side 65*.



**ADVARSEL:** Hvis motoren stopper, så forsøg produktet at genstarte automatisk i 5-10 sekunder. Vent i mindst 15 sekunder, før du udfører en kontrol af klippeskjoldet.



**ADVARSEL:** Før en kontrol af klippeskjoldet skal du slippe motorbremsehåndtaget, dreje sikkerhedsnøglen til 0, fjerne batteriet og vente i mindst 5 sekunder. Der er risiko for

personskade, hvis forhindringen fjernes, og produktet starter ved et uheld.

## Sådan standses produktet

Produktet standser automatisk, hvis du ikke betjener det i 10 minutter. Efterlad aldrig produktet uden opsyn, når motoren er startet. Stands motoren, drej sikkerhedsnøglen til 0, og afmonter batteriet. Sørg for, at vertikalskærerudstyret ikke roterer.

1. Slip motorbremsehåndtaget for at standse motoren. (Fig. 37)

2. Tryk på ON/OFF-knappen (A) på betjeningspanelet, så den grønne LED (B) slukkes. (Fig. 33)
3. Åbn batterilåget, og drej sikkerhedsnøglen til 0. (Fig. 38)
4. Fjern batteriet ved at trykke på de 2 udløserknapper samtidig og trække batteriet ud. (Fig. 39)
5. Oplad batteriet, hvis det er svagt. For yderligere oplysninger, se *Sådan oplades batteriet på side 63*.

## Vedligeholdelse

### Indledning



**ADVARSEL:** Inden der foretages vedligeholdelse, skal du læse og forstå kapitlet om sikkerhed.

Alt service- og reparationsarbejde på produktet kræver specialuddannelse. Vi garanterer faglig korrekt reparation og service. Hvis forhandleren ikke er et serviceværksted, kan vedkommende oplyse om nærmeste serviceværksted.

Se [www.husqvarna.com](http://www.husqvarna.com) for at få mere detaljerede oplysninger.

### Vedligeholdelsesskema

Vedligeholdelsesintervallerne er fastlagt baseret på daglig brug af produktet. Intervallerne ændres, hvis produktet ikke bruges dagligt.

For vedligeholdelse identificeret med \*, se *Sikkerhedsanordninger på produktet på side 60*.

S 138i	Hver brug	Månedligt	Hver sæson
Foretag et generelt eftersyn.	X		
Rengør produktet.	X		
Efterse vertikalskærerudstyret.	X		
Sørg for, at sikkerhedsanordningerne på produktet ikke er defekte. *	X		
Efterse afskærmningerne. *	X		
Kontrollér motorbremsehåndtaget. *	X		
Kontrollér startspærren. *	X		
Sørg for, at ON/OFF-knappen fungerer korrekt og ikke er defekt.	X		
Efterse batteriet for skader.	X		
Kontrollér batteriopladeren.	X		
Sørg for, at udløserknapperne på batteriet fungerer korrekt, og at batteriet låses på plads i produktet.	X		
Efterse batteriopladeren for skader, og sørg for, at den fungerer korrekt.		X	
Efterse forbindelserne mellem batteriet og produktet. Efterse også forbindelsen mellem batteriet og batteriopladeren.			X

### Sådan udføres et generelt eftersyn

- Sørg for, at møtrikker og skruer på produktet er spændt.

- Sørg for, at ledningerne på produktet ikke er placeret på en måde, så de kan blive beskadiget.



## Sådan rengøres produktet

- Rengør plasticdele med en ren og tør klud.
- Brug ikke vand til rengøring af produktet. Vand kan trænge ind i batteriet eller motoren og forårsage kortslutning eller beskadigelse af produktet.
- Brug ikke en højtryksrenser til at rengøre produktet.
- Sprøjt aldrig vand direkte på motoren.
- Brug en børste til at fjerne blade, græs og snavs.

## Sådan rengøres batteriet og batteriopladeren



**ADVARSEL:** Batteriet eller batteriopladeren må aldrig rengøres med vand.



**ADVARSEL:** Brug ikke kemiske stoffer til at rengøre batteriet.

- Sørg for, at batteriet og opladeren er rene og tørre, før du sætter batteriet i batteriopladeren.
- Rengør batteriets poler med trykluft eller med en blød og tør klud.
- Rens overfladerne på batteriet og batteriopladeren med en blød og tør klud.

## Sådan efterses vertikalskærerudstyret



**ADVARSEL:** For at undgå utilsigtet start, skal du dreje sikkerhedsnøglen til 0, fjerne batteriet og vente i mindst 5 sekunder.



**ADVARSEL:** Brug beskyttelseshandsker, når du udfører vedligeholdelse på vertikalskærerudstyret. Tænderne på vertikalskærerudstyret er meget skarpe, og du kan nemt komme til at skære dig.

- Efterse vertikalskærerudstyret for skader eller revner. Udskift altid vertikalskærerudstyret, hvis det er beskadiget.

## Sådan udskiftes vertikalskærerudstyret



**ADVARSEL:** Brug handsker, når du udfører vedligeholdelse på vertikalskærerudstyret. Vertikalskærerudstyret er meget skarpt, og du kan nemt komme til at skære dig

1. Placer produktet på dets højre side. (Fig. 40)
2. Fjern de 2 skruer (A), og fjern vertikalskærerens dæksel (B). Skub vertikalskærerudstyret (C) op og ud for at fjerne det. (Fig. 41)
3. Skub det nye vertikalskærerudstyr (C) ind i rillen og ned i hullet. Fastgør vertikalskærerens dæksel (B) med de 2 skruer (A). (Fig. 42)

## Fejlfinding

### Batteri

LED på batteriet	Årsag	Løsning
Den grønne LED blinker.	Batterispændingen er lav.	Oplad batteriet. Se <i>Sådan oplades batteriet på side 63</i> .
Batteriets fejl-LED blinker.	Batteriet er for koldt eller for varmt til brug.	Lad batteriet køle ned, eller flyt det indendørs, så det kan varmes op. Når batteriet har den korrekte temperatur, kan det bruges igen. Brug kun batteriet i produktet, hvis omgivelsestemperaturen er mellem 5 °C og 40 °C.
	Batteriet er afladet.	Oplad batteriet. Se <i>Sådan oplades batteriet på side 63</i> .
Batteriets fejl-LED tændes.	Der er en permanent batterifejl.	Kontakt din Husqvarna-serviceforhandler.

## Batterioplader

Lysdiode på batteriopladeren	Årsag	Løsning
Fejl-LED'en blinker eller tændes.	Batteriopladeren er for kold eller for varm til brug.	Lad batteriopladeren køle ned, eller flyt den indendørs, så den kan varmes op. Når batteriopladeren har den korrekte temperatur, kan den bruges igen. Brug batteriopladeren, hvis omgivelsetemperaturen er mellem 5 °C og 40 °C.
	Andre fejl.	Kontakt din Husqvarna-serviceforhandler.

## Betjeningspanel

Fejl	Fejlkode (antal blink)	Mulige fejl	Mulig handling
Fejl-LED blinker	3	Motoren er overbelastet.	Reducer arbejdsdybden. Se <i>Sådan indstilles arbejdsdybden på side 62</i> . Hvis fejl-LED'en fortsat blinker, er vertikalskærerudstyret blokeret. For at undgå utilsigtet start, skal du dreje sikkerhedsnøglen til 0, fjerne batteriet og vente i mindst 5 sekunder. Sørg for, at vertikalskærerudstyret kan bevæge sig frit. Hvis problemet fortsætter, skal du kontakte et autoriseret serviceværksted.
	5	Motoromdrejningstallet falder for meget, og motoren standser.	
	9	Kontrolenheden til motoren er for varm.	Stand motoren, og vent, indtil den er blevet kold.
	7	Batterifejl eller intet signal fra batteri.	Isæt batteriet korrekt i produktet, og efterse batteristikket. Hvis fejl-LED'en på batteriet blinker, se <i>Batteri på side 65</i> .
Batteriet er svagt.		Oplad batteriet. Se <i>Sådan oplades batteriet på side 63</i> .	
Produktet standser	6	Batteriet er svagt.	Oplad batteriet. Se <i>Sådan oplades batteriet på side 63</i> .
	Ingen blink.	Fejl ved batteristik.	Efterse batteristikket.
Andre fejl	Hvis der opstår andre fejl, skal du dreje tændingsnøglen til 0, afmontere batteriet og kontakte et godkendt serviceværksted.		

## Transport, opbevaring og bortskaffelse

### Indledning



**ADVARSEL:** For at undgå utilsigtet start under transport og opbevaring, skal du dreje sikkerhedsnøglen til 0, fjerne batteriet og vente i mindst 5 sekunder.

### Transport

- Lovkravene om farligt gods gælder for de indeholdte li-ion-batterier.
- Ved kommerciel transport skal særlige krav vedrørende emballering og mærkning overholdes.
- Sørg for at overholde bestemmelserne for farligt materiale, når du klargør produktet til transport. Lokale bestemmelser kan være gældende.
- Fjern altid batteriet ved transport.

- Sæt tape på batteristikkene, og sørg for, at batteriet ikke kan rykke sig under transporten.
- Fastspænd produktet under transport.
- Opbevar produktet, batteriet og batteriopladeren et låst sted, der er utilgængeligt for børn og ikke-godkendte personer.
- Rengør produktet, og sørg for, at græsopsamleren er tom.
- Foretag den form for vedligeholdelse, der er beskrevet i denne brugervejledning. Se *Vedligeholdelsesskema på side 64*.
- Udfør en komplet service før længere tids opbevaring.

## Opbevaring

- Fjern altid batterierne ved opbevaring.
- Lad produktet køle af, inden du sætter det til opbevaring.
- For at forhindre ulykker, skal du sørge for, at batteriet ikke er tilsluttet produktet under opbevaring.
- Opbevar batteriopladeren et lukket og tørt sted.
- Opbevar batteriet og batteriopladeren et tørt sted, hvor der ikke er fugt eller frost.
- Afbryd forbindelsen mellem batteriet og batteriopladeren under opbevaring.
- Batteriet må ikke opbevares, hvor der kan forekomme statisk elektricitet. Opbevar ikke batteriet i en metalkasse.
- Opbevar produktet på et sted, hvor omgivelsestemperaturen er mellem -10°C og 40°C.
- Opbevar batteriet ved temperaturer mellem 5 °C og 25 °C og væk fra sollys.
- Opbevar batteriopladeren ved temperaturer mellem 5 °C og 45 °C og væk fra sollys.
- Sørg for, at batteriet er ladet op til 30 % - 50 %, før du sætter det til opbevaring i længere tid.

## Bortskaffelse

Symbolerne på produktet eller emballagen angiver, at produktet ikke må behandles som almindeligt husholdningsaffald. Det skal afleveres til en passende genbrugsstation med henblik på genvinding af elektrisk og elektronisk udstyr.

Hvis du sørger for, at dette produkt håndteres korrekt, kan du være med til at modvirke potentielle negative indvirkninger på mennesker og miljø, som ellers kan være et resultat af fejlagtig affaldshåndtering i forbindelse med dette produkt. Nærmere oplysninger om genanvendelse af dette produkt fås hos kommunen, det lokale renovationselskab eller forretningen, hvor produktet er købt.

(Fig. 43)

## Tekniske data

### Tekniske data

<b>S 138i</b>	
<b>Motor</b>	
Motorstype	BLDC (børsteløs) 36 V
Omdrejningstal for udstyr - SavE, o/min.	3000
Omdrejningstal for udstyr - nominelt, o/min.	3200
Motoreffekt - maks. kW	1,28
Motoreffekt – nominel, kW	0,9
<b>Vægt</b>	
Vægt uden pose (ekskl. batteri), kg	19,5
Vægt med pose (inkl. 1 x BLi30), kg	23
<b>Batteri</b>	
Batteritype	Husqvarna Batteriserie
<b>Batteriets driftstid</b>	
Batteriets driftstid, min. (friløb) med SavE aktiveret, med et 7,5 Ah Husqvarna-batteri (BLi30).	195
Batteriets driftstid, min. (friløb) med standardtilstand aktiveret, med et 7,5 Ah Husqvarna-batteri (BLi30).	175

<b>S 138i</b>	
<b>Støjemissioner</b> <sup>10</sup>	
Lydeffektniveau, målt dB(A)	89
Lydeffektniveau, garanteret L <sub>WA</sub> dB (A)	91
<b>Lydniveauer</b> <sup>11</sup>	
Lydtryksniveau ved brugerens øre, dB(A)	75
<b>Vibrationsniveauer</b> <sup>12</sup>	
Styr, m/s <sup>2</sup>	5,5
<b>Drift</b>	
Arbejdsdybde, maks. /min., mm	-8/+5
Arbejdsbredde, cm	37,5
Knivtænder, tilbehør	5973510-01
Fjedertænder, tilbehør	5973509-01
Græsopsamlerens kapacitet, l	45

Godkendte batterier	Type	Batterikapacitet, Ah	Spænding, V	Vægt, kg
BLi30	Lithiumion	7,5	36	1,9
40-B140	Lithiumion	4,0	36	1,2

Godkendte opladere til de angivne batterier, BLi	Indgangsspænding, V	Frekvens, Hz	Effekt, watt
40-C80	100-240	50-60	68,8
QC250	220-240	50	250

<sup>10</sup> Støjemissioner til omgivelserne målt som lydeffekt (L<sub>WA</sub>) i henhold til EF-direktiv 2000/14/EF.

<sup>11</sup> Rapporterede data for lydtryksniveau har en usikkerhedsfaktor (K) på 1,5 dB (A).

<sup>12</sup> Rapporterede data for vibrationsniveau har en usikkerhedsfaktor (K) på 1,5 m/s<sup>2</sup>. Den angivne samlede vibrationsværdi er målt i henhold til standard EN 62841-4-7, bilag I, og kan anvendes til at sammenligne en maskine med en anden og i en indledende vurdering af udsættelse for vibrationer.

---

## Overensstemmelseserklæring

---

## EU-overensstemmelseserklæring

Vi, **Husqvarna AB**, SE-561 82 Huskvarna, Sverige,  
tlf.: +46-36-146500 erklærer under eneansvar, at det  
pågældende produkt:

<b>Beskrivelse</b>	Kultivator
<b>Varemærke</b>	Husqvarna
<b>Type / model</b>	S 138i
<b>Identifikation</b>	Serienumrene fra 2023 og fremefter

overholder følgende EU-direktiver og bestemmelser:

Direktiv/bestemmelser	Beskrivelse
2011/65/EU	"om begrænsning af anvendelsen af visse farlige stoffer i elektrisk og elektronisk udstyr"
2006/42/EF	"vedrørende maskiner"
2014/30/EU	"vedrørende elektromagnetisk kompatibilitet"
2000/14/EF	"vedrørende støjmissioner til omgivelserne"

og at følgende standarder og/eller tekniske  
specifikationer anvendes: EN 62841-1:2015/A11:2022,  
EN IEC 62841-4-7:2022/A11:2022, EN ISO 12100:2010,  
EN 55014-1:2017/A11:2020, EN 55014-2:2015, EN IEC  
63000:2018.

Vedr. oplysninger om støjmission, se *Tekniske data på  
side 67*.

Huskvarna, 2023-12-30



Claes Losdal

Udviklingschef/haveprodukter

Husqvarna AB

Ansvarlig for teknisk dokumentation



---

## Inhalt

---

Einleitung.....	71	Fehlerbehebung.....	82
Sicherheit.....	72	Transport, Lagerung und Entsorgung.....	83
Montage.....	78	Technische Angaben.....	85
Betrieb.....	78	Konformitätserklärung.....	87
Wartung.....	80		

---

## Einleitung

---

### Gerätebeschreibung

Bei dem Gerät handelt es sich um einen handgeführten elektrischen Vertikutierer. Das Gerät entfernt Moos aus dem Rasen und lockert den Boden, um Luft und Wasser in den Rasen zu lassen. Den Rasenfilz wird in einem Grasfängers gesammelt oder auf dem Rasen verteilt. Das Gerät verfügt über zwei Vertikutiereranbaugeräte.

### Vertikutiererausrüstung

Informationen zum Austauschen der Vertikutiereranbaugeräte finden Sie unter *So ersetzen Sie den Vertikutierer auf Seite 81*.

### Messerzinken

Die Messerzinken entfernen Moos und schneiden die Graswurzeln senkrecht. Verwenden Sie die Messerzinken an Hängen, auf Terrassen und sowie auf

sehr lehmreichen Böden. Durch die Messerzinken kann Wasser in den Rasen eindringen. So wird verhindert, dass sich Wasser auf der Oberfläche sammelt.

(Abb. 17)

### Federzähne

Der Federzähne entfernen vorsichtig abgestorbenes Gras und Rasenfilz aus dem Rasen, ohne die Graswurzeln zu beschädigen.

(Abb. 18)

### Verwendungszweck

Verwenden Sie das Gerät zum Entfernen von Rasenfilz und Moos und zum Lockern des Bodens in privaten Gärten. Verwenden Sie das Gerät nicht für andere Aufgaben.

### Geräteübersicht

(Abb. 1)

1. Motorbremsgriff
2. Oberer Griff
3. Bedienfeld
4. Startsperr
5. Unterer Griff
6. Grasfänger
7. Heckklappe
8. Vertikutiererabdeckung
9. Akkudeckel
10. Einstellknopf für die Arbeitstiefe
11. Sicherheitsschlüssel
12. ON/OFF-LED-Anzeige
13. ON/OFF-Taste
14. SavE-Taste (Energiespartaste)
15. SavE-LED-Anzeige
16. Anzeige Akkuladestand und Akku-Taste
17. Federzähne
18. Akku (Zubehör)
19. Ladegerät (Zubehör)
20. Inbusschlüssel
21. Bedienungsanleitung

### Symbole auf dem Gerät

(Abb. 2)      WARNUNG

(Abb. 3)      Lesen Sie die Anweisungen.

(Abb. 4)      WARNUNG: Achten Sie auf hochgeschleuderte Gegenstände.

(Abb. 5)      Zuschauer sollten einen Sicherheitsabstand einhalten.

(Abb. 6)      WARNUNG: Halten Sie Hände und Füße von den Zinken fern.

(Abb. 7)      Trennen Sie den Akku vor der Wartung.

(Abb. 8)      Verwenden Sie das Gerät nicht bei Regen.

(Abb. 9)      Dieses Gerät ist gegen Spritzwasser geschützt.

(Abb. 10)      Dieses Gerät stimmt mit den geltenden EG-Richtlinien überein.

- (Abb. 11) Dieses Gerät entspricht den geltenden UK-Richtlinien.
- (Abb. 12) Etikett mit Geräuschemissionen gemäß EU- und UK-Richtlinien und Verordnungen sowie der australischen „Protection of the Environment Operations (Noise Control) Regulation 2017“ (Umweltschutz-/Lärmschutzbestimmung) von New South Wales. Der garantierte Schalleistungspegel des Geräts ist unter *Technische Angaben auf Seite 85* und auf dem Etikett angegeben.

- (Abb. 15) Recyceln Sie dieses Gerät an einer Recyclingstation für elektrische und elektronische Geräte. (Gilt nur für Europa)

- (Abb. 16) Startvorgang: Drücken Sie den ON/OFF-Taste, lösen Sie die Wegfahrsperrung, und drücken Sie den Motorbremsbügel nach unten.

- (Abb. 13) Lassen Sie den Motorbremsgriff los, um den Motor zu stoppen.

- (Abb. 14) Scanbarer Code.

---

**Hinweis:** Sonstige Symbole/Aufkleber auf dem Gerät beziehen sich auf Zertifizierungsanforderungen, die in einigen Märkten gelten.

---

## Produktschäden

Wir haften nicht für Schäden an unserem Produkt, wenn:

- das Gerät nicht ordnungsgemäß repariert wird.
- das Gerät mit Teilen repariert wird, die nicht vom Hersteller stammen oder nicht vom Hersteller zugelassen sind.
- ein Zubehörteil mit dem Gerät verwendet wird, das nicht vom Hersteller stammt oder nicht vom Hersteller zugelassen ist.
- das Gerät nicht bei einem zugelassenen Service Center oder von einem zugelassenen Fachmann repariert wird.

---

## Sicherheit

---

### Sicherheitsdefinitionen

Warnungen, Vorsichtsmaßnahmen und Hinweise werden verwendet, um auf besonders wichtige Teile der Bedienungsanleitung hinzuweisen.



**WARNUNG:** Wird verwendet, wenn bei Nichtbeachtung der Anweisungen in diesem Handbuch die Gefahr von Verletzung oder Tod des Bedieners oder anderer Personen besteht.



**ACHTUNG:** Wird verwendet, wenn bei Nichtbeachtung der Anweisungen in diesem Handbuch die Gefahr von Schäden am Gerät, an anderen Materialien oder in der Umgebung besteht.

**Hinweis:** Für weitere Informationen, die in bestimmten Situationen nötig sind.

### Allgemeine Sicherheitshinweise zum Gerät



**WARNUNG:** Beachten Sie alle für das Gerät vorgesehenen Sicherheitshinweise, Anleitungen, Abbildungen und technischen Daten. Wenn Sie die unten stehenden

Anweisungen nicht befolgen, kann dies zu elektrischen Schlägen, Brand und/oder schweren Verletzungen führen.

---

**Bewahren Sie alle Warnhinweise und Anweisungen für spätere Referenzzwecke auf.** Die Bezeichnung „Gerät“ in den Warnhinweisen bezieht sich auf ein Gerät mit Netzbetrieb (über ein Kabel) oder Akkubetrieb (kabellos).

### Sicherheit im Arbeitsbereich

- **Sorgen Sie für einen sauberen und gut ausgeleuchteten Arbeitsbereich.** Durch zugestellte oder dunkle Arbeitsbereiche steigt die Unfallgefahr stark an.
- **Betreiben Sie das Gerät niemals an Orten, an denen Explosionsgefahr besteht, z. B. in der Nähe von leicht entzündlichen Flüssigkeiten, Gasen oder Staubansammlungen.** Bei der Arbeit mit dem Gerät kann es zu Funkenbildung kommen, wodurch sich Stäube oder Dämpfe entzünden können.
- **Sorgen Sie bei der Arbeit mit dem Gerät dafür, dass sich keine Kinder oder unbefugte Personen in der Nähe befinden.** Durch Ablenkungen können Sie die Kontrolle über das Werkzeug verlieren.

### Persönliche Sicherheit

- **Blieben Sie aufmerksam, achten Sie auf das, was Sie tun, und setzen Sie Ihren gesunden Menschenverstand ein, wenn Sie mit dem Gerät**



**arbeiten. Verwenden Sie das Gerät nicht, wenn Sie müde sind oder unter dem Einfluss von Drogen, Alkohol oder Medikamenten stehen.** Bei der Arbeit mit dem Gerät können bereits kurze Phasen der Unaufmerksamkeit zu schweren Verletzungen führen.

- **Tragen Sie eine persönliche Schutzausrüstung. Tragen Sie stets einen Augenschutz.** Schutzausrüstung wie Atemschutzmaske, rutschsichere Sicherheitsschuhe, Schutzhelm und Gehörschutz senkt bei angemessenem Einsatz das Verletzungsrisiko.
- **Vermeiden Sie ein versehentliches Starten. Achten Sie darauf, dass sich der Schalter in der AUS-Stellung befindet, bevor Sie das Gerät an die Stromversorgung und/oder den Akku anschließen oder es hochheben oder herumtragen.** Durch Herumtragen des Geräts mit dem Finger am Schalter bzw. das Einstecken des Steckers bei betätigtem Schalter erhöht sich das Unfallrisiko.
- **Entfernen Sie sämtliche Einstellschlüssel, bevor Sie das Gerät einschalten.** Ein an einem beweglichen Teil des Geräts angebrachter Schlüssel kann zu Verletzungen führen.
- **Arbeiten Sie nicht über die normale Reichweite hinaus. Achten Sie jederzeit darauf, sicher zu stehen und das Gleichgewicht zu bewahren.** Dadurch haben Sie das Gerät in unerwarteten Situationen besser im Griff.
- **Kleiden Sie sich richtig. Tragen Sie niemals lose sitzende Kleidung oder Schmuck. Halten Sie Haar und Kleidung von beweglichen Teilen fern.** Lose sitzende Kleidung, Schmuck oder langes Haar kann von beweglichen Teilen erfasst werden.
- **Wenn Anschlüsse für Staubabsaug- und Staubsammelvorrichtungen vorhanden sind, sorgen Sie dafür, dass diese richtig angeschlossen und eingesetzt werden.** Die Verwendung von Staubsammelvorrichtungen kann staubbedingte Gefahren verringern.
- **Auch wenn Sie durch häufige Verwendung bestens mit dem Gerät vertraut sind, dürfen Sie keinesfalls nachlässig werden und die Sicherheitsgrundsätze ignorieren.** Eine achtlose Handlung kann im Bruchteil einer Sekunde zu schweren Verletzungen führen.

## Produktverwendung und -pflege

- **Wenden Sie keine Gewalt an. Beschränken Sie sich für Ihren Einsatz auf das korrekte Gerät.** Das korrekte Gerät wird die Aufgabe besser und sicherer und mit der Leistung ausführen, für die es ausgelegt ist.
- **Benutzen Sie das Gerät nicht, wenn es sich nicht am Schalter ein- und ausschalten lässt.** Jedes Gerät, das nicht mit dem Schalter betätigt werden kann, stellt eine Gefahr dar und muss repariert werden.
- **Trennen Sie das Gerät von der Stromversorgung bzw. entfernen Sie den Akku, bevor Sie Einstellungen vornehmen, Zubehörteile austauschen**

**oder das Gerät verstauen.** Mit diesen Präventivmaßnahmen reduzieren Sie das Risiko eines versehentlichen unkontrollierten Starts des Gerätes.

- **Lagern Sie nicht benutzte Geräte außerhalb der Reichweite von Kindern, und lassen Sie nicht zu, dass Personen das Gerät bedienen, die nicht mit dem Gerät selbst und/oder diesen Anweisungen vertraut sind.** Die Geräte stellen in ungeschulten Händen eine Gefahr dar.
- **Pflegen Sie das Gerät und das Zubehör. Prüfen Sie, ob bewegliche Teile falsch eingestellt sind oder klemmen und ob Teile gebrochen oder so weit beschädigt sind, dass der sichere Betrieb des Geräts beeinträchtigt werden kann. Bei Beschädigungen lassen Sie das Gerät reparieren, bevor Sie es benutzen.** Viele Unfälle sind auf schlechte Gerätewartung zurückzuführen.
- **Halten Sie Schneidwerkzeuge scharf und sauber.** Ordnungsgemäß gewartete Schneidwerkzeuge mit scharfen Schneidkanten bleiben seltener hängen und sind einfacher zu bedienen.
- **Benutzen Sie das Gerät, Zubehör, Werkzeugspitzen und Ähnliches in Übereinstimmung mit diesen Anweisungen und auf die für das jeweilige Elektrowerkzeug bestimmungsgemäße Weise und beachten Sie dabei die jeweiligen Arbeitsbedingungen und die Art der auszuführenden Arbeiten.** Der Einsatz des Geräts für bestimmungswidrige Zwecke kann zu Gefahrensituationen führen.
- **Halten Sie die Handgriffe und Griffflächen trocken, sauber und frei von Öl und Fett.** Wenn Handgriffe und Griffflächen rutschig sind, kann das Gerät in unerwarteten Situationen nicht sicher bedient und kontrolliert werden.

## Verwendung und Pflege von akkubetriebenen Werkzeugen

- **Eine Aufladung darf nur mit dem vom Hersteller vorgeschriebenen Ladegerät durchgeführt werden.** Durch ein für einen bestimmten Akkutyp geeignetes Ladegerät kann Brandgefahr entstehen, wenn es für einen anderen Akku verwendet wird.
- **Verwenden Sie Geräte nur mit speziell für sie ausgezeichneten Akkus.** Die Verwendung anderer Akkus kann zu Verletzungs- und Brandgefahr führen.
- **Wird der Akku nicht verwendet, halten Sie ihn von Metallgegenständen wie Büroklammer, Münzen, Schlüsseln, Nägeln, Schrauben oder anderen kleineren Metallobjekten fern, da es zu einer Überbrückung der Kontakte kommen könnte.** Durch Kurzschluss der Akkuklemmen kann es zu Verbrennungen oder Bränden kommen.
- **Unter missbräuchlichen Bedingungen kann Flüssigkeit aus dem Akku austreten; vermeiden Sie Kontakt damit. Bei versehentlichem Hautkontakt sofort mit Wasser abspülen. Sollten Ihre Augen damit in Berührung gekommen sein, suchen**

**Sie sofort ärztliche Hilfe auf.** Durch austretende Flüssigkeit aus dem Akku kann es zu Reizungen oder Verbrennungen kommen.

- **Verwenden Sie keinen Akku und kein Werkzeug, der bzw. das defekt ist oder modifiziert wurde.** Beschädigte oder modifizierte Akkus können ein unvorhersehbares Verhalten aufweisen, welches zu Feuer, Explosionen oder Verletzungsgefahren führen kann.
- **Setzen Sie Akku oder Werkzeug niemals Feuer oder sehr hohen Temperatur aus.** Feuer oder Temperaturen über 130 °C/265 °F können zu einer Explosion führen.
- **Befolgen Sie die Ladeanweisungen und laden Sie den Akku oder das Werkzeug niemals bei Temperaturen außerhalb den in der Anleitung angegebenen Temperaturbereichen auf.** Unsachgemäßes Aufladen oder Aufladen bei Temperaturen außerhalb des angegebenen Bereichs kann den Akku beschädigen und die Brandgefahr erhöhen.

## Service

- **Lassen Sie Ihr Gerät von einem qualifizierten Fachmann reparieren, und bestehen Sie darauf, dass nur Originalersatzteile verwendet werden.** Auf diese Weise wird die Sicherheit des Geräts nicht beeinträchtigt.
- **Warten Sie niemals beschädigte Akkus.** Akkus dürfen nur vom Hersteller oder von autorisierten Serviceanbietern gewartet werden.

## Sicherheitswarnhinweise für das Gerät

- **Verwenden Sie das Gerät nicht bei schlechten Wetterverhältnissen, insbesondere dann nicht, wenn Blitzschlaggefahr besteht.** Dadurch wird die Gefahr eines Blitzschlags reduziert.
- **Untersuchen Sie den Bereich, in dem das Gerät eingesetzt werden soll, sorgfältig auf Tiere.** Tiere können während des Betriebs durch das Gerät verletzt werden.
- **Überprüfen Sie sorgfältig das Gelände, in dem das Gerät eingesetzt werden soll, und entfernen Sie alle losen Gegenstände wie Steine, Stöcke, Kabel, Knochen und sonstige Fremdojekte.** Aufgeschleuderte Gegenstände können schwere Verletzungen verursachen.
- **Bevor Sie das Gerät verwenden, stellen Sie sicher, dass Zinken und Zinkeneinheit nicht abgenutzt oder beschädigt sind.** Abgenutzte oder beschädigte Teile erhöhen das Verletzungsrisiko.
- **Überprüfen Sie den Grasfänger regelmäßig auf Verschleiß und abnehmende Leistung.** Ein abgenutzter oder beschädigter Grasfänger kann das Risiko von Verletzungen erhöhen.
- **Nehmen Sie keine Veränderungen an den Schutzvorrichtungen vor. Die Schutzvorrichtungen müssen funktionstüchtig und ordnungsgemäß angebracht sein.** Eine lose, beschädigte oder nicht

ordnungsgemäß funktionierende Schutzvorrichtung kann zu Verletzungen führen.

- **Halten Sie alle Kühllufteinlässe frei von Verunreinigungen.** Verstopfte Lufteinlässe und Verunreinigungen können zu Überhitzung oder Brandgefahr führen.
- **Tragen Sie beim Betrieb des Geräts stets rutschfeste Sicherheitsschuhe. Bedienen Sie das Gerät nicht barfuß oder mit offenen Sandalen.** Dadurch wird die Gefahr von Verletzungen an den Füßen durch Kontakt mit den rotierenden Zinken verringert.
- **Tragen Sie beim Betrieb des Geräts stets eine lange Hose.** Freiliegende Haut erhöht die Wahrscheinlichkeit von Verletzungen durch aufgeschleuderte Gegenstände.
- **Verwenden Sie das Gerät nicht in feuchtem Gras. Gehen Sie, auf keinen Fall dürfen Sie laufen.** So reduzieren Sie die Verletzungsgefahr durch Wegrutschen und Stürze.
- **Betreiben Sie das Gerät nicht an übermäßig steilen Hängen.** So reduzieren Sie die Verletzungsgefahr durch Kontrollverlust, Wegrutschen oder Stürze.
- **Achten Sie bei Arbeiten an Hängen immer auf festen Stand, arbeiten Sie immer quer statt längs zum Hang, und gehen Sie beim Richtungswechsel mit äußerster Vorsicht vor.** So reduzieren Sie die Verletzungsgefahr durch Kontrollverlust, Wegrutschen oder Stürze.
- **Lassen Sie besondere Vorsicht walten, wenn Sie das Gerät rückwärts bewegen oder zum Körper ziehen. Achten Sie stets auf Ihre Umgebung.** So reduzieren Sie die Stolpergefahr im Betrieb.
- **Halten Sie das Gerät nur an den isolierten Griffflächen fest, da die Zinken mit versteckten Kabeln oder dem eigenen Kabel in Berührung kommen können.** Zinken, die mit einer stromführenden Leitung in Berührung kommen, können freiliegende Metallteile des Geräts unter Strom setzen und dem Bediener einen Stromschlag versetzen.
- **Überühren Sie keine Zinken und andere gefährliche bewegliche Teile, während diese sich noch bewegen.** So reduzieren Sie die Verletzungsgefahr durch bewegliche Teile.
- **Stellen Sie beim Beseitigen von eingeklemmtem Material oder beim Reinigen des Geräts sicher, dass alle Schalter ausgeschaltet sind und der Akku getrennt ist.** Ein unerwarteter Start des Geräts kann zu schweren Verletzungen führen.

## Allgemeine Sicherheitshinweise



**WARNUNG:** Lesen Sie die folgenden Warnhinweise, bevor Sie das Gerät verwenden.

- Dieses Gerät ist gefährlich, wenn es falsch bedient wird oder Sie unvorsichtig sind. Wenn die

- Sicherheitshinweise nicht befolgt werden, kann dies zu Verletzungen oder zum Tod führen.
- Dieses Gerät erzeugt beim Betrieb ein elektromagnetisches Feld. Dieses Feld kann sich unter bestimmten Bedingungen auf die Funktionsweise aktiver oder passiver medizinischer Implantate auswirken. Um die Gefahr von Situationen, die zu schweren oder tödlichen Verletzungen führen können, auszuschließen, sollten Personen mit einem medizinischen Implantat vor der Nutzung dieses Geräts ihren Arzt und den Hersteller des Implantats konsultieren.
  - Lassen Sie immer Vorsicht walten, und arbeiten Sie mit gesundem Menschenverstand. Wenn Sie sich nicht sicher sind, wie das Gerät in einer bestimmten Situation zu bedienen ist, unterbrechen Sie die Arbeit und wenden sich an Ihren Husqvarna-Händler, bevor Sie fortfahren.
  - Denken Sie daran, dass der Bediener für Unfälle mit anderen Personen oder deren Eigentum verantwortlich ist.
  - Halten Sie das Gerät sauber. Stellen Sie sicher, dass Symbole und Aufkleber deutlich lesbar sind.
  - Verhindern Sie, dass Kinder oder Personen, die mit den Anweisungen nicht vertraut sind, das Gerät benutzen. Unter Umständen gelten gesetzlich vorgeschriebene Altersbeschränkungen für den Bediener.
  - Stellen Sie sicher, dass Personen mit verminderter physischer oder psychischer Leistungsfähigkeit dieses Gerät nicht unbeaufsichtigt verwenden. Es muss immer ein verantwortlicher Erwachsener anwesend sein.
  - Verwenden Sie das Gerät nicht, wenn Sie müde oder krank sind oder unter Einfluss von Alkohol, Drogen oder Medikamenten stehen. Dies wirkt sich negativ auf Ihre Sehkraft, Ihre Aufmerksamkeit sowie Ihr Koordinations- und Urteilsvermögen aus.
  - Verwenden Sie das Gerät nicht, wenn es beschädigt ist oder nicht ordnungsgemäß funktioniert.
  - Verändern oder verwenden Sie dieses Gerät nicht, wenn die Möglichkeit besteht, dass es durch Dritte verändert wurde.
  - Verwenden Sie das Gerät nicht im Regen oder in feuchter Umgebung. Dadurch wird das Risiko eines Stromschlags erhöht.
  - Starten Sie das Gerät nicht, bevor die Zinken und alle Abdeckungen korrekt befestigt sind. Falsch befestigte Zinken können sich lösen und Verletzungen verursachen.
  - Stellen Sie sicher, dass die Zinken nicht auf Gegenstände wie Steine und Wurzeln treffen. Dadurch können die Zinken beschädigt und die Motorwelle verbogen werden. Eine verbogene Achse führt zu starken Vibrationen und birgt ein hohes Risiko, dass sich die Zinken lösen.
  - Wenn die Zinken auf einen Gegenstand treffen oder Vibrationen auftreten, müssen Sie das Gerät sofort abstellen. Stoppen Sie den Motor, drehen Sie den Sicherheitsschlüssel auf 0 und nehmen Sie den Akku heraus. Warten Sie, bis die beweglichen Teile stillstehen. Untersuchen Sie das Gerät auf beschädigte Teile. Befestigen Sie alle lockeren Teile. Reparieren bzw. ersetzen Sie alle beschädigten Teile. Lassen Sie die Reparatur von einer zugelassenen Servicewerkstatt durchführen.
  - Befestigen Sie den Motorbremsbügel niemals fest am Griff, wenn der Motor läuft.
  - Stellen Sie das Gerät auf eine stabile, flache Oberfläche, und starten Sie es. Stellen Sie sicher, dass die Zinken nicht den Boden oder einen anderen Gegenstand berühren.
  - Bleiben Sie immer hinter dem Gerät, wenn Sie es betreiben.
  - Lassen Sie alle Räder auf dem Boden bleiben, und halten Sie den Griff mit beiden Händen, wenn Sie das Gerät betreiben. Halten Sie Hände und Füße von den rotierenden Zinken fern.
  - Kippen Sie das Gerät nicht, wenn Sie den Motor starten oder das Gerät betreiben.
  - Seien Sie vorsichtig, wenn Sie das Gerät nach hinten ziehen.
  - Heben Sie das Gerät nicht hoch, wenn der Motor läuft. Wenn Sie das Gerät anheben müssen, stoppen Sie zuerst den Motor, drehen Sie den Sicherheitsschlüssel auf 0 und nehmen Sie den Akku heraus.
  - Gehen Sie nicht rückwärts, wenn Sie das Gerät betreiben.
  - Stellen Sie den Motor ab, wenn das Gerät für den Transport gekippt oder auf grasfreien Flächen (z. B. Kies-, Pflaster- oder Asphaltwege) bewegt werden soll.
  - Rennen Sie nicht mit dem Gerät, wenn der Motor läuft. Gehen Sie immer, wenn Sie das Gerät benutzen.
  - Stellen Sie den Motor ab, bevor Sie die Arbeitstiefe verändern. Verändern Sie die Einstellungen niemals, wenn der Motor läuft.
  - Lassen Sie das Gerät niemals aus den Augen, wenn der Motor läuft. Stoppen Sie den Motor, drehen Sie den Sicherheitsschlüssel auf 0 und nehmen Sie

## Arbeitssicherheit



**WARNUNG:** Lesen Sie die folgenden Warnhinweise, bevor Sie das Gerät verwenden.

- Verwenden Sie dieses Gerät zum Entfernen von Rasenfz und Moos aus Rasenflächen. Es ist nicht erlaubt, das Gerät für andere Aufgaben zu verwenden.
- Tragen Sie eine persönliche Schutzausrüstung. Siehe *Persönliche Schutzausrüstung auf Seite 76*.
- Stellen Sie sicher, dass Sie wissen, wie der Motor in einem Notfall schnell gestoppt werden kann.

den Akku heraus. Stellen Sie sicher, dass sich der Vertikutierer nicht dreht.

- Die Vibrationen des Geräts im Betrieb können abweichen vom angegebenen Vibrationswert in *Technische Angaben auf Seite 85*. Diese Abweichung entsteht durch die verschiedenen Nutzungsweisen des Geräts. Wenn Sie das Gerät häufig oder über längere Zeit betreiben, legen Sie regelmäßig Pausen ein, um Verletzungen durch Vibrationen zu vermeiden.

## Sicherheitshinweise für den Betrieb

### Persönliche Schutzausrüstung



**WARNUNG:** Lesen Sie die folgenden Warnhinweise, bevor Sie das Gerät benutzen.

- Die persönliche Schutzausrüstung kann Verletzungen nicht vollständig vermeiden, vermindert aber den Umfang der Verletzungen und Schäden bei einem Unfall. Lassen Sie sich bei der Auswahl der richtigen Ausrüstung von Ihrem Händler beraten.
- Tragen Sie rutschfeste Sicherheitstiefel oder -schuhe. Verwenden Sie keine offenen Schuhe, und gehen Sie nicht barfuß.
- Tragen Sie schwere, lange Hosen.
- Tragen Sie bei Bedarf Schutzhandschuhe, beispielsweise bei der Montage, der Untersuchung oder der Reinigung der Schneidausrüstung.
- Wir empfehlen die Verwendung eines Gehörschutzes.

### Sicherheitsvorrichtungen am Gerät



**WARNUNG:** Lesen Sie die folgenden Warnhinweise, bevor Sie das Gerät verwenden.

- Verwenden Sie kein Gerät mit Sicherheitsvorrichtungen, die beschädigt sind oder nicht ordnungsgemäß funktionieren.
- Sicherheitsvorrichtungen dürfen nicht entfernt oder verändert werden.
- Führen Sie regelmäßig eine Überprüfung der Sicherheitsvorrichtungen durch. Wenn die Sicherheitsvorrichtungen beschädigt sind oder nicht ordnungsgemäß funktionieren, wenden Sie sich an den Kundendienst von Husqvarna.

### So prüfen Sie die Abdeckungen

Die Vertikutiererabdeckung verringert Vibrationen im Gerät und das Verletzungsrisiko durch den Vertikutierer.

- Untersuchen Sie die seitliche Vertikutiererabdeckung, um sicherzustellen, dass es keine Beschädigungen wie zum Beispiel Risse gibt.

- Untersuchen Sie die hintere Abdeckung, um sicherzustellen, dass es keine Beschädigungen wie zum Beispiel Risse gibt.

### Motorbremsgriff

Der Motorbremsgriff stoppt den Motor. Wenn der Motorbremsgriff losgelassen wird, stoppt der Motor.

Um eine Prüfung der Motorbremse durchzuführen, starten Sie den Motor und lassen dann den Motorbremsbügel los. Wenn der Motor nicht innerhalb von 3 Sekunden stoppt, lassen Sie die Motorbremse von einer autorisierten Husqvarna Servicewerkstatt einstellen.

(Abb. 19)

### Sicherheitsschlüssel

Der Sicherheitsschlüssel befindet sich unter der Akkuabdeckung. Mit dem Sicherheitsschlüssel wird der Akku angeschlossen, der den Motor mit Strom versorgt.

- Starten und stoppen Sie den Motor, um den Sicherheitsschlüssel zu kontrollieren.
- Wenn der Sicherheitsschlüssel ordnungsgemäß funktioniert, startet der Motor nur, wenn der Schlüssel auf Position „1“ gedreht wird.

(Abb. 20)

### So überprüfen Sie die Startsperr

Führen Sie eine Prüfung der Startsperr durch, um sicherzustellen, dass diese den Betrieb des Motors verhindert.

1. Drücken Sie den Motorbremsgriff in Richtung des Lenkers. Die Startsperr stoppt die Bewegung.
2. Drücken Sie die Startsperr heraus. (Abb. 21)
3. Lösen Sie die Startsperr, und stellen Sie sicher, dass sie sich zurück in die Ausgangsstellung bewegt.

### Sicherer Umgang mit Akkus



**WARNUNG:** Lesen Sie die folgenden Warnhinweise, bevor Sie das Gerät verwenden.

- Verwenden Sie die wiederaufladbaren Akkus von Husqvarna nur als Stromversorgung für zugehörige Husqvarna Produkte. Um Verletzungen zu vermeiden, verwenden Sie den Akku nicht zur Energieversorgung anderer Geräte.
- Verwenden Sie keine nicht aufladbaren Akkus.
- Es besteht die Gefahr von elektrischen Schlägen. Verbinden Sie die Akkuklemmen nicht mit Schlüsseln, Münzen, Schrauben oder anderen metallischen Gegenständen. Dadurch kann es zu einem Kurzschluss des Akkus kommen.
- Legen Sie keine Gegenstände in die Luftschlitze des Akkus.

- Halten Sie den Akku von direkter Sonneneinstrahlung, Hitze oder offenem Feuer fern. Der Akku kann explodieren und Verbrennungen und/oder chemische Verbrennungen verursachen.
- Halten Sie den Akku von Regen und Feuchtigkeit fern.
- Halten Sie den Akku von Mikrowellen und hohem Druck fern.
- Versuchen Sie nicht, den Akku zu zerlegen oder aufzubrechen.
- Wenn aus dem Akku Flüssigkeit austritt, vermeiden Sie Haut- oder Augenkontakt mit dieser. Sollten Sie dennoch mit der Flüssigkeit in Berührung gekommen sein, reinigen Sie den Bereich mit ausreichend Wasser und suchen Sie medizinische Hilfe auf.
- Der Akku darf nur im Gerät verwendet werden, wenn die Umgebungstemperatur zwischen 5 und 40 °C liegt.
- Das Akkuladegerät darf nur verwendet werden, wenn die Umgebungstemperatur zwischen 5 und 40 °C liegt.
- Der Akku wird nicht aufgeladen, wenn die Akkutemperatur mehr als 50 °C beträgt.
- Reinigen Sie weder den Akku noch das Ladegerät mit Wasser. Siehe *Akku auf Seite 82*.
- Verwenden Sie keinen beschädigten Akku.
- Lagern Sie Akkus getrennt von Metallgegenständen wie Nägeln, Münzen und Schmuck.

## Sicherer Umgang mit dem Ladegerät



**WARNUNG:** Lesen Sie die folgenden Warnhinweise, bevor Sie das Gerät verwenden.

- Verwenden Sie die QC Ladegeräte nur zum Laden von Husqvarna Akkus.
- Stromschlag- oder Kurzschlussgefahr. Legen Sie keine Gegenstände in die Luftschlitze des Ladegeräts. Das Ladegerät nicht zerlegen. Verbinden Sie die Anschlüsse des Ladegeräts nicht mit Metallgegenständen. Verwenden Sie eine geprüfte Netzsteckdose.
- Dieses Gerät erzeugt beim Betrieb ein elektromagnetisches Feld. Dieses Feld kann sich unter bestimmten Bedingungen auf die Funktionsweise aktiver oder passiver medizinischer Implantate auswirken. Um die Gefahr von Situationen, die zu schweren oder tödlichen Verletzungen führen können, auszuschließen, sollten Personen mit einem medizinischen Implantat vor der Nutzung dieses Geräts ihren Arzt und den Hersteller des Implantats konsultieren.
- Prüfen Sie regelmäßig, dass das Netzkabel des Akkuladegeräts nicht beschädigt ist und dass keine Risse vorhanden sind.
- Heben Sie das Ladegerät nicht am Netzkabel an. Um das Ladegerät von der Steckdose zu trennen,

ziehen Sie am Netzstecker. Ziehen Sie nicht am Netzkabel.

- Achten Sie darauf, dass Netzkabel und Verlängerungskabel nicht mit Wasser, Öl oder scharfen Kanten in Berührung kommen. Achten Sie darauf, dass die Kabel nicht in Türen, Zäunen o. ä. eingeklemmt werden. Es besteht sonst die Gefahr, dass das Ladegerät unter Strom gestellt wird.
- Reinigen Sie das Ladegerät nicht mit Wasser.
- Das Akkuladegerät kann von Kindern ab 8 Jahren sowie von Personen mit eingeschränkten physischen, sensorischen oder psychischen Fähigkeiten bzw. Personen ohne jegliche Erfahrung oder Kenntnisse verwendet werden, wenn sie beaufsichtigt werden oder ihnen die sichere Verwendung des Ladegeräts ausführlich erklärt wurde und sie sich der Gefahren bewusst sind. Kinder dürfen nicht mit dem Ladegerät spielen. Reinigung und Wartung durch den Benutzer dürfen nicht von Kindern ohne Aufsicht durchgeführt werden.
- Setzen Sie keine nicht wiederaufladbaren Akkus in das Ladegerät ein.
- Das Ladegerät darf nicht in der Nähe von entflammbar Materialien oder Materialien, die Korrosion verursachen können, verwendet werden. Das Ladegerät darf nicht abgedeckt werden. Bei Rauchentwicklung oder Feuer muss der Stecker des Ladegeräts sofort aus der Steckdose gezogen werden.
- Verwenden Sie keine fehlerhaften oder beschädigten Ladegeräte.
- Laden Sie den Akku nur in geschlossenen Räumen an einem Ort mit guter Luftzirkulation und ohne direkte Sonneneinstrahlung. Auf keinen Fall Akkus in feuchter Umgebung laden.

## Sicherheitshinweise für die Wartung



**WARNUNG:** Lesen Sie die folgenden Warnhinweise, bevor Sie das Gerät verwenden.

- Um ein unbeabsichtigtes Starten während der Wartung zu vermeiden, drehen Sie den Sicherheitsschlüssel auf 0 und nehmen Sie den Akku heraus. Warten Sie mindestens 5 Sekunden, bevor Sie mit der Wartung beginnen.
- Führen Sie die Wartungsarbeiten zur Erhöhung der Lebensdauer des Geräts und Verringerung der Unfallgefahr ordnungsgemäß aus. Lassen Sie professionelle Reparaturarbeiten von einer zugelassenen Servicewerkstatt durchführen. Weitere Informationen erhalten Sie von Ihrer Servicewerkstatt.
- Führen Sie die Wartung nur gemäß dieser Betriebsanleitung durch. Größere Eingriffe sind von einer zugelassenen Servicewerkstatt auszuführen.
- Um Verletzungen zu vermeiden, entfernen oder verändern Sie keine Sicherheitsvorrichtungen.

- Tragen Sie beim Umgang mit dem Vertikutierer schwere Arbeitshandschuhe. Der Vertikutierer ist sehr scharf und man schneidet sich sehr leicht.
- Halten Sie die Zinken des Vertikutierers sauber und scharf, um die beste und sicherste Leistung zu erreichen.
- Ihre Servicewerkstatt sollte das Gerät regelmäßig überprüfen und notwendige Einstellungen und Reparaturen vornehmen.
- Ersetzen Sie beschädigte, verschlissene oder defekte Teile. Verwenden Sie nur die vom Hersteller

angebotenen Originalersatzteile. Andere Ersatzteile können das Gerät beschädigen und die Unfallgefahr erhöhen.

- Befolgen Sie die Anweisungen für das Auswechseln von Zubehörteilen. Verwenden Sie nur Zubehör vom Gerätehersteller.
- Wenn es nicht in Betrieb ist, bewahren Sie Gerät, Akku und Ladegerät getrennt an einem trockenen und abgeschlossenen Ort auf. Achten Sie darauf, dass Kinder und unbefugte Personen keinen Zugriff auf das Gerät, den Akku oder das Ladegerät haben.

---

## Montage

---

### Einleitung



**WARNUNG:** Lesen Sie das Kapitel über Sicherheit vor der Montage des Geräts.



**WARNUNG:** Um ein unbeabsichtigtes Starten bei der Montage zu verhindern, drehen Sie den Sicherheitsschlüssel auf 0, entfernen Sie den Akku und warten Sie mindestens 5 Sekunden.

### Für die Montage des Griffs

1. Lösen Sie die unteren Knöpfe.
2. Schieben Sie die Flügelmuttern zum unteren Ende der Nut an der linken und der rechten Seite des Geräts. (Abb. 22)
3. Stellen Sie die Höhe des Griffs in einer der 2 verfügbaren Positionen ein.
4. Bewegen Sie die Flügelmuttern nach oben in Richtung Griff, bis sie den Anschlag erreichen und Sie ein Klicken hören. (Abb. 23)

5. Ziehen Sie die Knöpfe vollständig an.

### So montieren Sie den Grasfänger

1. Befestigen Sie den Rahmen des Grasfängers am Fangbeutel, sodass der starre Teil des Beutels nach unten weist. Halten Sie den Griff des Rahmens am oberen Ende des Fangbeutels fest. (Abb. 24)
2. Setzen Sie den unteren Teil des Rahmens des Grasfängers in die Nut an der Unterseite des Grasfängers.
3. Befestigen Sie den Fangbeutel mit den Klemmen am Rahmen des Grasfängers. (Abb. 25)
4. Heben Sie die hintere Abdeckung an.
5. Bringen Sie den Grasfänger in die richtige Position. (Abb. 26)
6. Befestigen Sie den Grasfänger an der Oberkante des Chassis. Stellen Sie sicher, dass die hintere Abdeckung dicht mit dem Grasfänger abschließt, um Undichtigkeiten zu verhindern. (Abb. 27)

---

## Betrieb

---

### Einleitung



**WARNUNG:** Vor dem Betrieb des Gerätes müssen Sie die Sicherheitsinformationen lesen und verstehen.

### Husqvarna Connect

Husqvarna Connect ist eine kostenlose App für Ihr Mobilgerät. Die Husqvarna Connect App bietet erweiterte Funktionen für Ihr Gerät:

- Erweiterte Produktinformationen
- Informationen über Produktteile und -wartung sowie entsprechende Hilfe dazu.

### So verwenden Sie Husqvarna Connect

1. Laden Sie die Husqvarna Connect App auf Ihr Mobiltelefon.
2. Anmeldung bei der Husqvarna Connect App.
3. Befolgen Sie die Anweisungen in der Husqvarna Connect App, um sich zu verbinden und das Gerät zu registrieren.

### So stellen Sie die Arbeitstiefe ein



**WARNUNG:** Stellen Sie die Arbeitstiefe nicht ein, während Sie das Gerät verwenden.

1. Drücken und drehen Sie den Einstellknopf für die Arbeitstiefe gegen den Uhrzeigersinn, um die Arbeitstiefe zu erhöhen.
2. Drücken und drehen Sie den Einstellknopf für die Arbeitstiefe im Uhrzeigersinn, um die Arbeitstiefe zu senken. (Abb. 28)

## Akku



**WARNUNG:** Vor dem Betrieb des Akkus müssen Sie die Sicherheitsinformationen lesen und verstehen. Sie müssen außerdem Bedienungsanleitung für den Akku und das Ladegerät lesen und verstehen.

Sorgen Sie für die richtigen Umgebungstemperaturen von Akku und Ladegerät.

	Umgebungstemperatur
Betrieb des Akkus	5 bis 40 °C
Laden des Akkus	5 bis 40 °C

## Akkuladezustand

Auf der Anzeige werden der verbleibende Ladezustand und eventuelle Störungen des Akkus angezeigt. Drücken Sie die Akkuanzeigetaste, um Informationen zum Ladezustand des Akkus zu erhalten. Das Warnsymbol auf dem Akku ist an, wenn eine Störung vorliegt. Siehe *Akku auf Seite 82*.

(Abb. 29)

LED-Leuchten	Akkuladezustand
Alle LEDs leuchten	Volle Ladung (76-100 %)
LED 1, LED 2 und LED 3 leuchten	Der Akku ist zu 51-75 % geladen.
LED 1 und LED 2 leuchten	Der Akku ist zu 26-50 % geladen.
LED 1 leuchtet	Der Akku ist zu 6-25 % geladen.
LED 1 blinkt	Der Akku ist zu 0-5 % geladen.

## So laden Sie den Akku

Laden Sie den Akku vor dem ersten Gebrauch. Der Akku ist bei der Auslieferung an den Kunden nur zu 30 % geladen.

**Hinweis:** Das Ladegerät muss mit der auf dem Typenschild angegebenen Spannung und Frequenz angeschlossen werden.

Der Akku wird nicht aufgeladen, wenn die Akkutemperatur über 50 °C beträgt. Das Ladegerät verringert die Temperatur des Akkus, bevor es zu laden beginnt.

1. Schließen Sie ein Ende des Netzkabels für das Ladegerät an die Anschlussbuchse des Ladegeräts an.
2. Schließen Sie das andere Ende des Netzkabels für das Ladegerät an eine geerdete Steckdose an. Die LED am Ladegerät blinkt einmal grün. (Abb. 30)
3. Die Batterie in das Ladegerät einlegen. Die grüne Leuchte auf dem Ladegerät leuchtet auf, wenn der Akku richtig mit dem Ladegerät verbunden ist. (Abb. 31)
4. Wenn alle LEDs am Akku leuchten, ist der Akku vollständig aufgeladen. Laden Sie den Akku für maximal 24 Stunden.
5. Um das Ladegerät von der Steckdose zu trennen, ziehen Sie am Netzstecker und nicht am Netzkabel.
6. Den Akku aus dem Ladegerät entnehmen.

## So starten Sie das Gerät

1. Legen Sie einen geladenen Akku in das Akkufach Nummer 1 unter der Akkuabdeckung. Für eine längere Betriebsdauer legen Sie einen zweiten aufgeladenen Akku in das Akkufach 2.
2. Drehen Sie den Sicherheitsschlüssel auf 1. (Abb. 32)
3. Bleiben Sie hinter dem Gerät.
4. Drücken Sie die EIN/AUS-Taste (A) auf dem Bedienfeld, sodass die grüne LED (B) aufleuchtet. (Abb. 33)
5. Lösen Sie die Wegfahrsperrung. (Abb. 34)
6. Drücken Sie den Motorbremsbügel in die Richtung des Lenkers. (Abb. 35)

## So verwenden Sie die SavE-Akkusparfunktion

Das Gerät ist mit einer Akkusparfunktion (SavE) ausgestattet, um die Betriebsdauer zu verlängern.

1. Drücken Sie die SavE-Taste (Energiespartaste) um Starten der Funktion. Die grüne LED leuchtet auf. (Abb. 36)
2. Drücken Sie die SavE-Taste (Energiespartaste) erneut, um die Funktion zu deaktivieren. Die grüne LED (B) erlischt.

## Funktion für hohe Belastung

Wenn das Produkt langes oder nasses Gras schneidet, wird die Motordrehzahl automatisch erhöht. Der Motor wechselt zurück zum normalen Modus, wenn eine hohe Belastung nicht erforderlich ist.

## Motor stirbt ab

Im Betrieb können Klinge und Motor durch Hindernisse (z. B. Verstopfung durch Gras unter der Schneidwerkabdeckung) blockiert und abgewürgt werden. Wenn dies geschieht und Sie den Motorbremsgriff gedrückt halten, macht das Gerät einen automatischen Neustart. Wenn das Gerät nicht innerhalb von 5-10 Sekunden neu startet, muss der Bereich unter der Schneidwerkabdeckung eventuell gereinigt werden. Siehe *So reinigen Sie das Gerät auf Seite 81*.



**WARNUNG:** Wenn der Motor anhält, versucht das Gerät 5-10 Sekunden lang, automatisch neu zu starten. Warten Sie mindestens 15 Sekunden, bevor Sie die Schneidwerkabdeckung überprüfen.



**WARNUNG:** Bevor Sie die Schneidwerkabdeckung prüfen, lösen Sie den Motorbremsgriff, drehen den Sicherheitsschlüssel auf 0, entnehmen den Akku und warten mindestens 5 Sekunden. Wenn das Hindernis entfernt wird,

besteht Verletzungsgefahr durch einen versehentlichen Neustart des Geräts.

## So stoppen Sie das Gerät

Das Gerät stoppt automatisch, wenn Sie es für 10 Minuten nicht in Betrieb nehmen. Lassen Sie das Gerät niemals aus den Augen, wenn der Motor läuft. Stoppen Sie den Motor, drehen Sie den Sicherheitsschlüssel auf 0 und nehmen Sie den Akku heraus. Stellen Sie sicher, dass sich der Vertikutierer nicht dreht.

1. Lösen Sie den Motorbremsgriff, um den Motor auszuschalten. (Abb. 37)
2. Halten Sie die ON/OFF-Taste (A) auf dem Bedienfeld gedrückt, bis die grüne LED (B) erlischt. (Abb. 33)
3. Öffnen Sie die Akkuabdeckung, und drehen Sie den Sicherheitsschlüssel auf 0. (Abb. 38)
4. Um den Akku zu entfernen, drücken Sie die beiden Entriegelungstasten gleichzeitig und ziehen Sie den Akku heraus. (Abb. 39)
5. Laden Sie den Akku, wenn er schwach ist. Weitere Informationen finden Sie unter *So laden Sie den Akku auf Seite 79*.

## Wartung

### Einleitung



**WARNUNG:** Bevor Sie eine Wartung durchführen, müssen Sie das Kapitel über die Sicherheit lesen und verstehen.

Für alle Wartungs- und Reparaturarbeiten am Produkt ist eine spezielle Schulung erforderlich. Wir garantieren die Verfügbarkeit von professionellen Reparaturen und Wartungsarbeiten. Wenn Ihr Händler keine Servicewerkstatt ist, sprechen Sie mit ihm, um Informationen über die nächste Servicewerkstatt zu erhalten.

Genauere Informationen finden Sie unter [www.husqvarna.com](http://www.husqvarna.com).

### Wartungsplan

Die Wartungsintervalle werden anhand der täglichen Nutzung des Geräts berechnet. Die Intervalle ändern sich, wenn das Gerät nicht täglich verwendet wird.

Informationen zur Wartung mit \* finden Sie unter *Sicherheitsvorrichtungen am Gerät auf Seite 76*.

S 138I	Nach jedem Einsatz	Monatlich	Zu jeder Jahreszeit
Allgemeine Inspektion durchführen.	X		
Das Gerät reinigen.	X		
Den Vertikutierer prüfen.	X		
Sicherstellen, dass die Sicherheitsvorrichtungen am Gerät nicht beschädigt sind. *	X		
Die Abdeckungen prüfen. *	X		
Den Motorbremsgriff prüfen. *	X		
Die Startsperrle prüfen. *	X		



S 138i	Nach jedem Einsatz	Monatlich	Zu jeder Jahreszeit
Sicherstellen, dass die ON/OFF-Taste funktioniert und nicht defekt ist.	X		
Den Akku auf Schäden kontrollieren.	X		
Den Ladezustand des Akkus überprüfen.	X		
Sicherstellen, dass die Entriegelungstasten am Akku richtig funktionieren und der Akku in das Gerät einrastet.	X		
Das Ladegerät auf Beschädigungen überprüfen und sicherstellen, dass es ordnungsgemäß funktioniert.		X	
Die Verbindungen zwischen Akku und Gerät überprüfen. Die Verbindung zwischen Akku und Ladegerät ebenfalls überprüfen.			X

## So führen Sie eine allgemeine Inspektion durch

- Stellen Sie sicher, dass die Muttern und Schrauben am Produkt nicht beschädigt sind.
- Stellen Sie sicher, dass die Kabel an dem Produkt nicht so liegen, dass sie beschädigt werden könnten.

## So reinigen Sie das Gerät

- Kunststoffteile mit einem sauberen und trockenen Tuch reinigen.
- Verwenden Sie kein Wasser zur Reinigung des Produkts. Wasser kann in den Akku oder den Motor eindringen und einen Kurzschluss oder andere Schäden am Produkt verursachen.
- Reinigen Sie das Gerät nicht mit einem Hochdruckreiniger.
- Lassen Sie kein Wasser direkt auf den Motor gelangen.
- Verwenden Sie einen Pinsel, um Blätter, Gras und Schmutz zu entfernen.

## So reinigen Sie den Akku und das Ladegerät



**WARNUNG:** Reinigen Sie weder den Akku noch das Ladegerät mit Wasser.



**WARNUNG:** Verwenden Sie keine chemischen Substanzen zum Reinigen des Akkus.

- Stellen Sie sicher, dass der Akku und das Ladegerät sauber und trocken sind, bevor Sie den Akku in das Ladegerät einlegen.
- Reinigen Sie die Akkuklemmen mit Druckluft oder einem weichen, trockenen Tuch.

- Reinigen Sie die Oberflächen des Akkus und des Ladegeräts mit einem weichen, trockenen Tuch.

## So prüfen Sie den Vertikutierer



**WARNUNG:** Um ein unbeabsichtigtes Starten zu verhindern, drehen Sie den Sicherheitsschlüssel auf 0, entfernen Sie den Akku und warten Sie mindestens 5 Sekunden.



**WARNUNG:** Tragen Sie Schutzhandschuhe, wenn Sie am Vertikutierer eine Wartung durchführen. Die Zinken des Vertikutierers sind sehr scharf und man schneidet sich sehr leicht.

- Prüfen Sie den Vertikutierer auf Beschädigungen oder Risse. Wechseln Sie einen beschädigten Vertikutierer unbedingt aus.

## So ersetzen Sie den Vertikutierer



**WARNUNG:** Tragen Sie Schutzhandschuhe, wenn Sie an am Vertikutierer eine Wartung durchführen. Der Vertikutierer ist sehr scharf und man schneidet sich sehr leicht.

1. Drehen Sie das Gerät auf die rechte Seite. (Abb. 40)
2. Entfernen Sie die 2 Schrauben (A) und die Vertikutiererabdeckung (B). Drücken Sie den Vertikutierer (C) nach oben und aus dem Gerät heraus. (Abb. 41)
3. Drücken Sie den neuen Vertikutierer (C) in die Nut und das Loch. Befestigen Sie die Vertikutiererabdeckung (B) mit den 2 Schrauben (A). (Abb. 42)

---

## Fehlerbehebung

---

### Akku

LED-Anzeige am Akku	Ursache	Lösung
Die grüne LED blinkt.	Die Akkuspannung ist niedrig.	Batterie aufladen. Siehe <i>So laden Sie den Akku auf Seite 79</i> .
Die Akku-Warn-LED blinkt.	Der Akku ist für die Verwendung zu kalt oder zu warm.	Den Akku abkühlen lassen oder in den Innenbereich verlagern, um ihn zu erwärmen. Wenn der Akku die richtige Temperatur hat, kann er wieder verwendet werden. Der Akku darf nur im Gerät verwendet werden, wenn die Umgebungstemperatur zwischen 5 und 40 °C liegt.
	Der Akku ist leer.	Batterie aufladen. Siehe <i>So laden Sie den Akku auf Seite 79</i> .
Die Akku-Fehler-LED leuchtet auf.	Es liegt ein dauerhafter Akkufehler vor.	Wenden Sie sich an Ihren Husqvarna Servicehändler.

### Ladegerät

Die LED am Akkuladegerät	Ursache	Lösung
Die Fehler-LED blinkt oder leuchtet auf.	Das Akkuladegerät ist für die Verwendung zu kalt oder zu warm.	Das Akkuladegerät abkühlen lassen oder in den Innenbereich verlagern, um es zu erwärmen. Wenn das Akkuladegerät die richtige Temperatur hat, kann es wieder verwendet werden. Das Akkuladegerät darf nur verwendet werden, wenn die Umgebungstemperatur zwischen 5 und 40 °C liegt.
	Andere Fehler.	Wenden Sie sich an Ihren Husqvarna Servicehändler.

## Bedienfeld

Error	Fehlercodes (Blinkanzahl)	Mögliche Fehler	Mögliche Fehlerbehebung
Störungs-LED blinkt	3	Der Motor ist überlastet.	Die Arbeitstiefe verringern. Siehe <i>So stellen Sie die Arbeitstiefe ein auf Seite 78</i> . Wenn die Fehler-LED weiterhin blinkt, ist der Vertikutierer blockiert. Um ein unbeabsichtigtes Starten zu verhindern, drehen Sie den Sicherheitsschlüssel auf 0, entfernen Sie den Akku und warten Sie mindestens 5 Sekunden. Sicherstellen, dass sich der Vertikutierer frei bewegen kann. Falls das Problem weiterbesteht, wenden Sie sich an eine autorisierte Servicewerkstatt.
	5	Die Motordrehzahl fällt zu stark ab, und der Motor stoppt.	
	9	Die Motorsteuerung ist zu heiß.	
	7	Akkufehler oder kein Signal vom Akku.	
		Der Akku ist schwach.	Batterie aufladen. Siehe <i>So laden Sie den Akku auf Seite 79</i> .
Das Gerät schaltet sich ab	6	Der Akku ist schwach.	Batterie aufladen. Siehe <i>So laden Sie den Akku auf Seite 79</i> .
	Kein Blinken.	Akku-Anschluss defekt.	Akku-Anschluss überprüfen.
Andere Fehler	Wenn andere Fehler auftreten, stellen Sie den Sicherheitsschlüssel auf 0, entfernen den Akku und wenden sich an eine zugelassene Servicewerkstatt.		

## Transport, Lagerung und Entsorgung

### Einleitung



**WARNUNG:** Um ein unbeabsichtigtes Starten bei Transport und Lagerung zu verhindern, drehen Sie den Sicherheitsschlüssel auf 0, entfernen den Akku und warten mindestens 5 Sekunden.

- Entnehmen Sie die für den Transport stets den Akku.
- Decken Sie die Akkustecker mit Klebeband ab und stellen Sie sicher, dass der Akku sich während des Transports nicht bewegen kann.
- Sichern Sie das Produkt während des Transports.

### Lagerung

### Transport

- Die enthaltenen Lithium-Ionen-Batterien unterliegen den gesetzlichen Bestimmungen zu gefährlichen Gütern.
- Für gewerbliche Transporte müssen besondere Anforderungen bei Verpackung und Kennzeichnung eingehalten werden.
- Stellen Sie sicher, dass Sie sich an die Vorschriften für gefährliche Güter halten, wenn Sie das Produkt für den Transport vorbereiten. Gegebenenfalls gelten örtliche Vorschriften.

- Entnehmen Sie für die Lagerung stets die Akkus.
- Lassen Sie das Gerät vor der Lagerung abkühlen.
- Stellen Sie zur Vermeidung von Unfällen sicher, dass der Akku während der Lagerung nicht an das Gerät angeschlossen bleibt.
- Bewahren Sie das Ladegerät an einem geschlossenen und trockenen Ort auf.
- Bewahren Sie den Akku und das Ladegerät an einem trockenen Ort ohne Feuchtigkeit oder Frost auf.

- Trennen Sie den Akku während der Lagerung vom Ladegerät.
- Lagern Sie den Akku nicht an einem Ort, an dem es zu elektrostatischen Entladungen kommen kann. Bewahren Sie den Akku nicht in einem Metallkasten auf.
- Lagern Sie das Gerät an einem Ort mit einer Umgebungstemperatur zwischen -10°C und 40°C.
- Lagern Sie den Akku an einem Ort mit einer Temperatur zwischen 5 und 25 °C und setzen Sie ihn nicht direkter Sonneneinstrahlung aus.
- Lagern Sie das Ladegerät an einem Ort mit einer Temperatur zwischen 5 und 45 °C und setzen Sie es nicht direkter Sonneneinstrahlung aus.
- Stellen Sie sicher, dass der Akkustand mindestens zwischen 30 und 50 % beträgt, bevor Sie das Gerät für längere Zeit einlagern.
- Bewahren Sie das Gerät, den Akku und das Ladegerät an einem verschließbaren Ort und für Kinder und unbefugte Personen unzugänglich auf.
- Reinigen Sie das Gerät, und stellen Sie sicher, dass der Grasfänger leer ist.
- Führen Sie die Wartungsarbeiten durch, die in dieser Betriebsanleitung beschrieben sind. Siehe *Wartungsplan auf Seite 80*.
- Führen Sie vor einer langen Lagerung eine vollständige Wartung durch.

## Entsorgung

Durch Symbole auf dem Produkt oder seiner Verpackung wird angezeigt, dass dieses Produkt nicht über den Hausmüll entsorgt werden darf. Es ist einer entsprechenden Recycling-Einrichtung zuzuführen, damit elektrische und elektronische Komponenten wiedergewonnen werden können.

Dadurch, dass Sie sicherstellen, dass Sie mit diesem Produkt sorgfältig umgehen, können Sie helfen, den potentiellen negativen Auswirkungen auf die Umwelt und Ihre Mitmenschen entgegenzuwirken, die sich andernfalls durch eine unsachgemäße Entsorgung dieses Produkts ergeben können. Genauere Informationen über die ordnungsgemäße Entsorgung dieses Produkts erhalten Sie bei Ihrer Stadtverwaltung, Ihrem Abfallentsorgungsunternehmen oder dem Geschäft, in dem Sie Ihr Produkt gekauft haben.

(Abb. 43)

## Entsorgen von Elektro- und Elektronik-Altgeräten

Gilt nur für Deutschland



Die durchgestrichene Abfalltonne weist darauf hin, dass Sie gesetzlich verpflichtet sind, dieses Gerät getrennt vom unsortierten Siedlungsabfall zu entsorgen. Die Entsorgung im Restmüll oder im gelben Sack ist verboten. Wenn das Produkt Einwegbatterien oder Akkus enthält, die nicht dauerhaft installiert sind, müssen diese vor der Entsorgung des Produkts entfernt und separat als Batterien bzw. Akkus entsorgt werden.

### Entfernen von Batterien, Akkus und Leuchtmitteln: (S 138f)

Batterien, Akkus oder Leuchtmittel, die aus dem Produkt entfernt werden können, ohne es zu beschädigen, müssen vor der Entsorgung entfernt und separat als Batterien, Akkus oder Leuchtmittel entsorgt werden. Die folgenden Batterien oder Akkus sind in diesem Produkt enthalten:

- **Akkutyp:** Li-ion
- **Chemie:** Lithium

### Informationen zur Rückgabe von Elektro- und Elektronik-Altgeräten für Privathaushalte:

Wie im Folgenden näher beschrieben, sind bestimmte Vertrieber verpflichtet, Elektro- und Elektronik-Altgeräte kostenlos zurückzunehmen.

Vertrieber von Elektro- und Elektronikgeräten mit einer Verkaufsfläche von mindestens 400 m<sup>2</sup> und Lebensmittelhändler mit einer Gesamtverkaufsfläche von mindestens 800 m<sup>2</sup>, die mehrmals im Kalenderjahr oder beständig Elektro- und Elektronikgeräte abgeben und verkaufen, sind unter den folgenden Umständen zur Rücknahme von Geräten verpflichtet:

1. Beim Verkauf eines neuen Elektro- oder Elektronikgeräts muss der Vertrieber ein Altgerät desselben Gerätetyps kostenlos zurücknehmen, das im Wesentlichen die gleichen Funktionen wie das neue Gerät bereitstellt. Dies muss an dem Standort, an dem das Gerät abgegeben wird, oder in unmittelbarer Nähe geschehen. Privathaushalte gelten auch als der Ort, an dem das Gerät abgegeben wird, sofern das Produkt dorthin geliefert wird: In diesem Fall werden Altgeräte ohne Kosten für den Endbenutzer abgeholt.
2. Der Vertrieber muss Altgeräte mit einem Durchmesser von weniger als 25 cm auf Wunsch des Endbenutzers an der Verkaufsstelle oder in unmittelbarer Nähe zurücknehmen. Diese Rückgabe muss nicht mit dem Kauf von Elektro- oder Elektronikgeräten in Verbindung stehen und ist auf drei Altgeräte pro Gerätetyp beschränkt.

Bei Abschluss des Kaufvertrags für ein neues Elektro- oder Elektronikgerät muss der Vertrieber den Endbenutzer über sein Recht informieren, das Altgerät zurückzugeben oder kostenlos abholen zu lassen, und den Endbenutzer fragen, ob er beabsichtigt, ein Altgerät bei der Lieferung des neuen Geräts zurückzugeben.

Dies gilt auch für den Vertrieb über Telekommunikation, wenn die Lager- und Versandfläche für Elektro- und Elektronikgeräte mindestens 400 m<sup>2</sup> beträgt oder wenn

die gesamte Lager- und Versandfläche mindestens 800 m<sup>2</sup> beträgt, wobei die kostenlose Abholung von Elektro- oder Elektronikgeräten auf die folgenden Kategorien beschränkt ist:

- 1 (Wärmeüberträger)
- 2 (Geräte mit Displays) und
- 4 (große Geräte mit mindestens einer äußeren Abmessung von mehr als 50 cm)

Für alle anderen Elektro- und Elektronikgeräte muss der Vertrieber entsprechende Rücknahmestellen in angemessener Nähe zum Endverbraucher sicherstellen. Dies gilt auch für Altgeräte, bei denen keine äußere Abmessung 25 cm überschreitet, die der Endbenutzer zurückgeben möchte, ohne ein neues Gerät zu erwerben.

#### Datenschutz

Alle Endbenutzer von Elektro- und Elektronik-Altgeräten sind dafür verantwortlich, alle personenbezogenen Daten von den zu entsorgenden Elektro- und Elektronik-Altgeräten zu löschen.

#### WEEE-Registrierungsnummer

Husqvarna 10168717

#### Sammlungs- und Verwertungsraten

Gemäß der WEEE-Richtlinie sind die EU-Mitgliedstaaten verpflichtet, Daten über Elektro- und Elektronik-Altgeräte zu sammeln und diese Daten an die Europäische Kommission zu übermitteln. Weitere Informationen hierzu finden Sie auf der BMUV-Website: <https://www.bmuv.de/themen/wasser-ressourcen-abfall/kreislaufwirtschaft/statistiken/elektro-und-elektronikaltgeraete>

## Technische Angaben

### Technische Daten

<b>S 138i</b>	
<b>Motor</b>	
Motortyp	BLDC (bürstenlos) 36 V
Anbaugerätdrehzahl – SavE, U/min	3000
Anbaugerätdrehzahl – Nennwert, U/min	3200
Motorleistung – max. kW	1,28
Motorleistung – Nennwert, kW	0,9
<b>Gewicht</b>	
Gewicht ohne Beutel (ohne Akku), kg	19,5
Gewicht mit Tasche (inkl. 1x BLi30), kg	23
<b>Akku</b>	
Akkutyp	Husqvarna-Akkuserie
<b>Akkulaufzeit</b>	
Mindest-Akkulaufzeit (Leerlauf) bei aktiviertem SavE-Modus, mit einem Husqvarna 7,5-Ah-Akku (BLi30).	195
Mindest-Akkulaufzeit (Leerlauf) bei aktiviertem Standardmodus, mit einem Husqvarna 7,5-Ah-Akku (BLi30).	175
<b>Geräuschemissionen</b> <sup>13</sup>	
Schallleistungspegel, gemessen dB (A)	89
Schallleistungspegel, garantiert L <sub>WA</sub> dB (A)	91

<sup>13</sup> Umweltbelastende Geräuschemissionen, gemessen als Schallleistung (L<sub>WA</sub>) gemäß EG-Richtlinie 2000/14/EG.

<b>S 138i</b>	
<b>Schallpegel</b> <sup>14</sup>	
Schalldruckpegel am Ohr des Bedieners, dB (A)	75
<b>Vibrationspegel</b> <sup>15</sup>	
Griff, m/s <sup>2</sup>	5,5
<b>Betreiben</b>	
Arbeitstiefe max./min., mm	-8/+5
Arbeitsbreite, cm	37,5
Messerzinken-Anbaugerät	5973510-01
Federzahn-Anbaugerät	5973509-01
Grasfängerkapazität, Liter	45

Zugelassene Akkus	Typ	Akkukapazität, Ah	Spannung, V	Gewicht, lb/kg
BLi30	Lithium-Ionen	7,5	36	4,2/1,9
40-B140	Lithium-Ionen	4,0	36	2,6/1,2

Zugelassene Ladegeräte für die angegebenen Akkus, BLi	Eingangsspannung, V	Frequenz, Hz	Leistung, W
40-C80	100–240	50–60	68,8
QC250	220-240	50	250

<sup>14</sup> Die für den Schalldruckpegel angegebenen Werte haben einen Messunsicherheitsfaktor (K) von 1,5 dB (A).

<sup>15</sup> Die für den Vibrationspegel angegebenen Werte haben einen Messunsicherheitsfaktor von 1,5 m/s<sup>2</sup>. Der angegebene Vibrationsgesamtwert wurde gemäß EN 62841-4-7, Anhang I gemessen und kann zum Maschinenvergleich sowie für eine vorläufige Beurteilung der Exposition herangezogen werden.

---

# Konformitätserklärung

---

## EU-Konformitätserklärung

Die **Husqvarna AB**, SE-561 82 Huskvarna, Schweden,  
Tel.: +46-36-146500, erklärt in alleiniger Verantwortung,  
dass das Gerät:

<b>Beschreibung</b>	Vertikutierer
<b>Marke</b>	Husqvarna
<b>Typ/Modell</b>	S 138i
<b>Identifizierung</b>	Seriennummern ab 2023

die folgenden EU-Richtlinien und -Verordnungen erfüllt:

<b>Richtlinie/Verordnung</b>	<b>Beschreibung</b>
2011/65/EU	„zur Beschränkung der Verwendung bestimmter gefährlicher Stoffe in Elektro- und Elektronikgeräten“
2006/42/EG	„Maschinenrichtlinie“
2014/30/EU	„über elektromagnetische Verträglichkeit“
2000/14/EG	„über umweltbelastende Geräuschemissionen von zur Verwendung im Freien vorgesehenen Geräten und Maschinen“

und dass die folgenden Normen und/oder technischen  
Daten angewendet werden: EN 62841-1:2015/  
A11:2022, EN IEC 62841-4-7:2022/A11:2022, EN  
ISO 12100:2010, EN 55014-1:2017/A11:2020, EN  
55014-2:2015, EN IEC 63000:2018.

Informationen zu Geräuschemission finden Sie unter  
*Technische Angaben auf Seite 85.*

Huskvarna, 2023-12-30



Claes Losdal

Entwicklungsleiter/Gartenprodukte

Husqvarna AB

Verantwortlich für die technische Dokumentation





---

## Περιεχόμενα

---

Εισαγωγή.....	89	Αντιμετώπιση προβλημάτων.....	100
Ασφάλεια.....	90	Μεταφορά, αποθήκευση και απόρριψη.....	102
Συναρμολόγηση.....	96	Τεχνικά στοιχεία.....	102
Λειτουργία.....	97	Δήλωση Συμμόρφωσης.....	105
Συντήρηση.....	99		

---

## Εισαγωγή

---

### Περιγραφή προϊόντος

Το προϊόν είναι ένας ηλεκτρικός αραιωτήρας πεζού χειριστή. Το προϊόν αφαιρεί τα ξερά χόρτα από το γρασίδι και αφρατεύει το χώμα για να μπει αέρας και νερό μέσα στο γρασίδι. Τα ξερά χόρτα συλλέγονται σε έναν συλλέκτη χόρτου ή αδειάζονται στο γρασίδι. Το προϊόν διαθέτει 2 τύπους εξοπλισμού αραιωτήρα.

### Εξοπλισμός αραιωτήρα

Ανατρέξτε στην ενότητα *Αντικατάσταση του εξοπλισμού αραιωτήρα στη σελίδα 100* για πληροφορίες σχετικά με την αντικατάσταση του εξοπλισμού αραιωτήρα.

### Δόντια λεπίδας

Τα δόντια λεπίδας αφαιρούν τα ξερά χόρτα και κόβουν τις ρίζες του γρασιδιού κατακόρυφα. Χρησιμοποιήστε τα δόντια λεπίδας σε πλαγιές, βεράντες και εδάφη

### Επισκόπηση προϊόντος

(Εικ. 1)

1. Λαβή φρένου μοτέρ
2. Πάνω λαβή
3. Πίνακας ελέγχου
4. Αναστολέας εκκίνησης
5. Κάτω λαβή
6. Συλλέκτης χόρτου
7. Πίσω κάλυμμα
8. Κάλυμμα αποβρωσιωτή
9. Καπάκι μπαταρίας
10. Κουμπί ρύθμισης του βάθους εργασίας
11. Κλειδί ασφαλείας
12. Λυχνία LED ON/OFF
13. Κουμπί ON/OFF
14. Κουμπί λειτουργίας εξοικονόμησης SavE
15. Λυχνία LED λειτουργίας SavE
16. Ένδειξη φόρτισης μπαταρίας και κουμπί μπαταρίας
17. Ελατηριωτά δόντια
18. Μπαταρία (αξεσουάρ)
19. Φορτιστής μπαταρίας (αξεσουάρ)
20. Εξάγωνο κλειδί
21. Εγχειρίδιο χρήσης

με μεγάλη περιεκτικότητα αργίλου. Τα δόντια λεπίδας επιτρέπουν στο νερό να εισχωρήσει σε βάθος μέσα στο γρασίδι και αποτρέπουν τη συγκέντρωσή του στην επιφάνεια.

(Εικ. 17)

### Ελατηριωτές λεπίδες

Οι ελατηριωτές λεπίδες αφαιρούν προσεκτικά τα νεκρά και ξερά χόρτα από το γρασίδι χωρίς να καταστρέφουν τις ρίζες του γρασιδιού.

(Εικ. 18)

### Προβλεπόμενη χρήση

Χρησιμοποιήστε το προϊόν για να αφαιρέσετε τα ξερά χόρτα και τα βρύα και για να αφρατέψετε το χώμα σε ιδιωτικούς κήπους. Μην χρησιμοποιείτε το προϊόν για άλλες εργασίες.

### Σύμβολα στο προϊόν

(Εικ. 2)

ΠΡΟΕΙΔΟΠΟΙΗΣΗ

(Εικ. 3)

Διαβάστε τις οδηγίες.

(Εικ. 4)

ΠΡΟΕΙΔΟΠΟΙΗΣΗ - Προσοχή σε αντικείμενα που εκτοξεύονται.

(Εικ. 5)

Απομακρύνετε τυχόν παριστάμενα άτομα.

(Εικ. 6)

ΠΡΟΕΙΔΟΠΟΙΗΣΗ – Κρατήστε τα χέρια και τα πόδια σας μακριά από τα δόντια.

(Εικ. 7)

Αποσυνδέστε την μπαταρία πριν από τη συντήρηση.

(Εικ. 8)

Αποφύγετε την έκθεση στη βροχή.

(Εικ. 9)

Αυτό το προϊόν διαθέτει προστασία από εκτινασσόμενο νερό.

(Εικ. 10)

Αυτό το προϊόν συμμορφώνεται με τις ισχύουσες οδηγίες ΕΚ.

(Εικ. 11) Αυτό το προϊόν συμμορφώνεται με τις ισχύουσες οδηγίες του Η.Β.

(Εικ. 12) Ετικέτα εκπομπών θορύβου στο περιβάλλον σύμφωνη με οδηγίες και κανονισμούς της ΕΕ και του Η.Β. και τη νομοθεσία της Νότιας Νέας Ουαλίας "Κανονισμός για την προστασία των περιβαλλοντικών δράσεων (έλεγχος θορύβου) του 2017". Η εγγυημένη στάθμη θορύβου του προϊόντος καθορίζεται στην ενότητα *Τεχνικά στοιχεία στη σελίδα 102* και στην ετικέτα.

(Εικ. 15) Ανακυκλώστε αυτό το προϊόν σε κέντρο ανακύκλωσης ηλεκτρικού και ηλεκτρονικού εξοπλισμού. (Ισχύει μόνο για την Ευρώπη)

(Εικ. 16) Διαδικασία εκκίνησης: Πιέστε το κουμπί ON/OFF, χαλαρώστε τον αναστολέα εκκίνησης, πιέστε προς τα κάτω τη λαβή του φρένου κινητήρα.

(Εικ. 13) Για να διακόψετε τη λειτουργία, αφήστε τη λαβή του φρένου του μοτέρ.

(Εικ. 14) Κωδικός με δυνατότητα σάρωσης.

**Περιεχόμενα** Άλλα σύμβολα/σήματα που υπάρχουν στο προϊόν αναφέρονται σε απαιτήσεις πιστοποίησης για ορισμένες αγορές.

## Ζημιά στο προϊόν

Δεν φέρουμε ευθύνη για ζημιές στο προϊόν μας εάν:

- Το προϊόν έχει επισκευαστεί λανθασμένα.
- Το προϊόν έχει επισκευαστεί με εξαρτήματα που δεν προέρχονται από τον κατασκευαστή ή που δεν έχουν εγκριθεί από τον κατασκευαστή.
- Το προϊόν διαθέτει ένα αξεσουάρ που δεν προέρχεται από τον κατασκευαστή ή που δεν έχει εγκριθεί από τον κατασκευαστή.
- Το προϊόν δεν έχει επισκευαστεί σε εγκεκριμένο κέντρο σέρβις ή από εγκεκριμένη αρχή.

---

## Ασφάλεια

---

### Ορισμοί για την ασφάλεια

Για την επισήμανση ειδικών σημαντικών τμημάτων του εγχειριδίου χρησιμοποιούνται προειδοποιήσεις, συστάσεις προσοχής και σημειώσεις.



**ΠΡΟΕΙΔΟΠΟΙΗΣΗ:** Χρησιμοποιείται όταν υπάρχει κίνδυνος τραυματισμού ή θανάτου του χειριστή ή άλλων παριστάμενων ατόμων, αν δεν τηρηθούν οι οδηγίες που παρέχονται στο εγχειρίδιο.



**ΠΡΟΣΟΧΗ:** Χρησιμοποιείται όταν υπάρχει κίνδυνος προκλήσης ζημιάς στο προϊόν, σε άλλα υλικά ή στον παρακείμενο χώρο, αν δεν τηρηθούν οι οδηγίες που παρέχονται στο εγχειρίδιο.

**Περιεχόμενα** Χρησιμοποιείται για παροχή περισσότερων πληροφοριών, οι οποίες χρειάζονται σε μια δεδομένη κατάσταση.

### Γενικές προειδοποιήσεις ασφαλείας για το προϊόν



**ΠΡΟΕΙΔΟΠΟΙΗΣΗ:** Διαβάστε όλες τις προειδοποιήσεις, τις οδηγίες, τις εικόνες και τις προδιαγραφές ασφαλείας που παρέχονται με αυτό το προϊόν. Η μη τήρηση όλων των οδηγιών που αναφέρονται παρακάτω μπορεί να προκαλέσει ηλεκτροπληξία, πυρκαγιά ή/και σοβαρό τραυματισμό.

**Φυλάξτε τις προειδοποιήσεις και τις οδηγίες για μελλοντική αναφορά.** Ο όρος "προϊόν" που χρησιμοποιείται στις προειδοποιήσεις αναφέρεται σε προϊόν που τροφοδοτείται από το δίκτυο ρεύματος (με καλώδιο) ή σε προϊόν που τροφοδοτείται από μπαταρία (χωρίς καλώδιο).

### Ασφάλεια στο χώρο εργασίας

- **Διατηρείτε το χώρο εργασίας καθαρό και με καλό φωτισμό.** Οι ακατάστατοι ή σκοτεινοί χώροι ενέχουν τον κίνδυνο ατυχημάτων.
- **Μην χειρίζεστε το προϊόν σε εκρηκτικές ατμόσφαιρες, π.χ. στον ίδιο χώρο με εύφλεκτα υγρά, αέρια ή σωματίδια σκόνης.** Το προϊόν δημιουργεί σπινθήρες,

οι οποίοι ενδέχεται να προκαλέσουν την ανάφλεξη των σωματιδίων σκόνης ή των καπνών.

- **Κατά τον χειρισμό του προϊόντος, δεν πρέπει να βρίσκονται κοντά παιδιά ή άλλοι παρευρισκόμενοι.** Ενδέχεται να αποσπαστούν την προσοχή σας, με αποτέλεσμα να χάσετε τον έλεγχο.

## Προσωπική ασφάλεια

- **Να είστε σε εγρήγορση, να παρακολουθείτε αυτό που κάνετε και να χρησιμοποιείτε την κοινή λογική όταν χρησιμοποιείτε ένα προϊόν. Μην χρησιμοποιείτε προϊόντα όταν είστε κουρασμένοι ή υπό την επήρεια ναρκωτικών, αλκοόλ ή φαρμάκων.** Μια στιγμή απροσεξίας κατά τον χειρισμό των προϊόντων μπορεί να οδηγήσει σε σοβαρό τραυματισμό.
- **Πρέπει να χρησιμοποιείτε προσωπικό εξοπλισμό προστασίας. Φοράτε πάντοτε προστατευτικά γυαλιά.** Ο εξοπλισμός προστασίας, όπως προστατευτική μάσκα αναπνοής, αντιολισθητικά παπούτσια ασφαλείας, κράνος ή προστατευτικά ακοής σε κατάλληλες συνθήκες, μειώνει τον κίνδυνο τραυματισμών.
- **Φροντίστε ώστε να μην είναι εφικτή η ακούσια εκκίνηση. Βεβαιωθείτε ότι ο διακόπτης βρίσκεται στη θέση Off προτού συνδέσετε το προϊόν στην πηγή τροφοδοσίας ή/και στην μπαταρία και προτού πάσετε ή μεταφέρετε το προϊόν.** Η μεταφορά των προϊόντων, ενώ έχετε το χέρι σας στον διακόπτη, ή η σύνδεση ενεργοποιημένων προϊόντων σε πρίζα ενέχει κίνδυνο ατυχήματος.
- **Αφαιρέστε τυχόν κλειδιά προσαρμογής ή σύσφιξης, προτού ενεργοποιήσετε το προϊόν.** Ένα κλειδί σύσφιξης ή ρύθμισης που παραμένει προσαρτημένο σε κινούμενο μέρος του προϊόντος μπορεί να προκαλέσει τραυματισμό.
- **Μην τεντώνετε υπερβολικά. Να πατάτε καλά τα πόδια σας και να διατηρείτε την ισορροπία σας συνέχεια.** Έτσι επιτυγχάνεται καλύτερος έλεγχος του προϊόντος σε τυχόν απρόβλεπτες καταστάσεις.
- **Φοράτε κατάλληλα ρούχα. Μην φοράτε φαρδιά ρούχα ή κοσμήματα. Φροντίστε τα μαλλιά και τα ρούχα σας να βρίσκονται σε απόσταση από τα κινούμενα εξαρτήματα.** Τα φαρδιά ρούχα, τα κοσμήματα ή τα μακριά μαλλιά ενδέχεται να πιστούν σε κινούμενα μέρη.
- **Εάν παρέχονται διατάξεις για τη σύνδεση συστημάτων συλλογής και απομάκρυνσης σκόνης, βεβαιωθείτε ότι αυτές έχουν συνδεθεί και χρησιμοποιούνται σωστά.** Να χρησιμοποιείτε σύστημα συλλογής σκόνης για να μειώσετε τους κινδύνους που σχετίζονται με τη σκόνη.
- **Ακόμη και αν χρησιμοποιείτε συχνά και είστε εξοικειωμένοι με τα προϊόντα, μην επαναπαύεστε και μην παραβλέπετε τις αρχές ασφαλείας των εργαλείων.** Μια απρόσεκτη ενέργεια μπορεί να προκαλέσει σοβαρό τραυματισμό σε κλάσμα του δευτερολέπτου.

## Χρήση και φροντίδα προϊόντος

- **Μην ασκείτε δύναμη το προϊόν. Χρησιμοποιήστε το κατάλληλο προϊόν για την εφαρμογή σας.** Το κατάλληλο προϊόν θα προσφέρει υψηλότερη απόδοση και ασφάλεια κατά την εργασία σας στο βαθμό για τον οποίο έχει σχεδιαστεί.
- **Μην χρησιμοποιείτε το προϊόν, εάν δεν μπορεί να ενεργοποιηθεί και να απενεργοποιηθεί με τον διακόπτη.** Ένα προϊόν που δεν μπορεί να ελεγχθεί από τον διακόπτη είναι επικίνδυνο και πρέπει να επισκευαστεί.
- **Αποσυνδέστε το βύσμα από την πηγή τροφοδοσίας ή/και αφαιρέστε την μπαταρία, αν είναι αποσπώμενη, από το προϊόν πριν από την πραγματοποίηση ρυθμίσεων, την αλλαγή αβεσουάρ ή την αποθήκευση ηλεκτρικών εργαλείων.** Αυτά τα προληπτικά μέτρα ασφαλείας μειώνουν τον κίνδυνο ακούσιας εκκίνησης του προϊόντος.
- **Φυλάσσετε τα προϊόντα που βρίσκονται σε αδράνεια μακριά από παιδιά και μην επιτρέπετε σε άτομα που δεν είναι εξοικειωμένα με αυτά ή με τις οδηγίες να χρησιμοποιούν το προϊόν.** Τα προϊόντα είναι επικίνδυνα στα χέρια μη εκπαιδευμένων χρηστών.
- **Συντηρείτε τα προϊόντα και τα αξεσουάρ. Ελέγξτε το προϊόν για τυχόν εσφαλμένη ευθυγράμμιση ή κινούμενα εξαρτήματα που μαγκώνουν, σπασμένα εξαρτήματα ή άλλες καταστάσεις που ενδέχεται να επηρεάσουν τη λειτουργία του προϊόντος. Σε περίπτωση ζημιάς, φροντίστε για την επισκευή του προϊόντος προτού το χρησιμοποιήσετε.** Πολλά ατυχήματα προκαλούνται από προϊόντα που δεν συντηρούνται σωστά.
- **Διατηρείτε τα εργαλεία κοπής αιχμηρά και καθαρά.** Εάν τα εργαλεία κοπής συντηρούνται σωστά, με αιχμηρές άκρες κοπής, είναι λιγότερο πιθανή η εμπλοκή τους και πιο εύκολος ο έλεγχός τους.
- **Χρησιμοποιείτε το προϊόν, τα εξαρτήματα και τα τρυπάνια σύμφωνα με τις οδηγίες αυτές, λαμβάνοντας υπόψη τις συνθήκες εργασίας και την εργασία που πρέπει να εκτελεστεί.** Η χρήση του προϊόντος για εργασίες διαφορετικές από αυτές για τις οποίες προορίζεται μπορεί να οδηγήσει σε επικίνδυνες καταστάσεις.
- **Διατηρήστε τις χειρολαβές και τις επιφάνειες κρατήματος στεγνές και καθαρές, χωρίς λάδια και γράσο.** Οι ολισθηρές λαβές και επιφάνειες κρατήματος δεν επιτρέπουν τον ασφαλή χειρισμό και έλεγχο του προϊόντος σε απρόβλεπτες καταστάσεις.

## Χρήση και φροντίδα εργαλείων μπαταρίας

- **Να επαναφορτίζετε μόνο με το φορτιστή που ορίζεται από τον κατασκευαστή.** Ένας φορτιστής κατάλληλος για έναν τύπο συστοιχίας μπαταριών μπορεί να δημιουργήσει κίνδυνο φωτιάς κατά τη χρήση με άλλη συστοιχία μπαταριών.
- **Χρησιμοποιείτε προϊόντα μόνο με τις προδιαγραφόμενες μπαταρίες.** Η χρήση οποιασδήποτε άλλης μπαταρίας μπορεί να προκαλέσει κίνδυνο τραυματισμού και πυρκαγιάς.

- Όταν η μπαταρία δεν χρησιμοποιείται, πρέπει να την φυλάσσετε μακριά από άλλα μεταλλικά αντικείμενα, όπως συνδετήρες, νομίσματα, κλειδιά, καρφιά, βίδες ή άλλα μικρά μεταλλικά αντικείμενα, που μπορεί να προκαλέσουν ένωση των πόλων. Η βραχυκύκλωση των ακροδεκτών της μπαταρίας μεταξύ τους μπορεί να προκαλέσει εγκαύματα ή πυρκαγιά.
- Σε περίπτωση ακατάλληλου χειρισμού, μπορεί να εκπληχθεί υγρό από την μπαταρία. Αποφεύγετε κάθε επαφή. Σε περίπτωση τυχαίας επαφής, ξεπλύνετε με νερό. Εάν το υγρό έρθει σε επαφή με τα μάτια, ζητήστε επίσης ιατρική βοήθεια. Η εκτόξευση υγρού από την μπαταρία μπορεί να προκαλέσει ερεθισμούς ή εγκαύματα.
- Μην χρησιμοποιείτε μπαταρίες ή εργαλεία που έχουν υποστεί ζημιά ή μετατροπές. Οι μπαταρίες που έχουν υποστεί ζημιά ή τροποποίηση μπορεί να παρουσιάσουν απρόβλεπτη συμπεριφορά με αποτέλεσμα να προκαλέσει κίνδυνος πυρκαγιάς, έκρηξης ή τραυματισμού.
- Μην εκθέτετε τις μπαταρίες ή τα εργαλεία σε φωτιά ή υπερβολική θερμοκρασία. Η έκθεση σε φωτιά ή θερμοκρασίες πάνω από 130 °C/265 °F μπορεί να προκαλέσει έκρηξη.
- Ακολουθήστε όλες τις οδηγίες φόρτισης και μην φορτίζετε τις μπαταρίες ή τα εργαλεία εκτός του εύρους θερμοκρασίας που προδιαγράφεται στις οδηγίες. Η φόρτιση με λανθασμένο τρόπο ή σε θερμοκρασίες εκτός του προδιαγραφόμενου εύρους μπορεί να προκαλέσει ζημιά στην μπαταρία και αυξάνει τον κίνδυνο πυρκαγιάς.

## Υψηλές

- Αναθέστε το σέρβις του προϊόντος σας σε εξειδικευμένο τεχνικό για επισκευή με τη χρήση μόνο πανομοιότυπων ανταλλακτικών. Έτσι διασφαλίζεται η ασφάλεια του προϊόντος.
- Μην εκτελείτε εργασίες σέρβις σε κατεστραμμένες μπαταρίες. Οι εργασίες σέρβις σε μπαταρίες θα πρέπει να εκτελούνται μόνο από τον κατασκευαστή ή από εξουσιοδοτημένα καταστήματα σέρβις.

## Προειδοποιήσεις ασφαλείας για το προϊόν

- Μην χρησιμοποιείτε το προϊόν σε κακές καιρικές συνθήκες, ιδιαίτερα όταν υπάρχει κίνδυνος κεραυνού. Έτσι μειώνεται ο κίνδυνος να σας χτυπήσει κεραυνός.
- Επιθεωρήστε προσεκτικά την περιοχή για ύπαρξη πανίδας όπου θα χρησιμοποιηθεί το προϊόν. Η πανίδα μπορεί να τραυματιστεί από το προϊόν κατά τη διάρκεια της λειτουργίας.
- Επιθεωρήστε προσεκτικά την περιοχή όπου θα χρησιμοποιηθεί το προϊόν και αφαιρέστε όλες τις πέτρες, τα κλαδιά, τα καλώδια, τα κάκαλα και οποιαδήποτε άλλα ξένα αντικείμενα. Τα αντικείμενα που εκτοξεύονται μπορούν να προκαλέσουν τραυματισμό.
- Πριν από τη χρήση του προϊόντος, επιθεωρήστε πάντα οπτικά για να βεβαιωθείτε ότι τα δόντια και το συγκρότημα των δοντιών δεν έχουν φθαρεί ή καταστραφεί. Τα εξαρτήματα που έχουν υποστεί φθορά ή ζημιά αυξάνουν τον κίνδυνο τραυματισμού.
- Ελέγχετε συχνά τον συλλέκτη χόρτου για φθορά ή μειωμένη απόδοση. Ο φθαρμένος ή κατεστραμμένος συλλέκτης χόρτου μπορεί να αυξήσει τον κίνδυνο προσωπικού τραυματισμού.
- Διατηρείτε τα προστατευτικά στη θέση τους. Τα προστατευτικά πρέπει να βρίσκονται σε λειτουργική κατάσταση και να είναι σωστά τοποθετημένα. Εάν ένα προστατευτικό είναι χαλαρό, έχει υποστεί ζημιά ή δεν λειτουργεί σωστά, μπορεί να προκληθεί τραυματισμός.
- Διατηρήστε όλες τις εισαγωγές αέρα ψύξης καθαρές από υπολείμματα. Οι φραγμένες εισαγωγές αέρα και τα υπολείμματα μπορεί να προκαλέσουν υπερθέρμανση ή κίνδυνο πυρκαγιάς.
- Κατά τη λειτουργία του προϊόντος, φοράτε πάντα αντολιοθηρικά και προστατευτικά παπούτσια. Μην χρησιμοποιείτε το προϊόν με γυμνά πόδια ή φορώντας σανδάλια. Αυτό μειώνει την πιθανότητα τραυματισμού των ποδιών από επαφή με τα κινούμενα δόντια.
- Κατά τη λειτουργία του προϊόντος, φοράτε πάντα μακρύ παντελόνι. Το εκτεθειμένο δέρμα αυξάνει την πιθανότητα τραυματισμού από αντικείμενα που εκκινάζονται.
- Μην χρησιμοποιείτε το προϊόν σε νωπό γρασίδι. Περπατάτε, ποτέ μην τρέχετε. Αυτό μειώνει τον κίνδυνο ολίσθησης και πτώσης, γεγονός που μπορεί να οδηγήσει σε τραυματισμό.
- Μην χρησιμοποιείτε το προϊόν σε υπερβολικά απότομα πρανή. Αυτό μειώνει τον κίνδυνο απώλειας ελέγχου, ολίσθησης και πτώσης, γεγονός που μπορεί να οδηγήσει σε τραυματισμό.
- Κατά την εργασία σε πρανή, πρέπει πάντα να είστε σίγουροι πού πατάτε, να εργάζεστε πάντα κινούμενοι εγκάρσια στις επιφάνειες με κλίση, ποτέ προς τα πάνω ή προς τα κάτω, και να είστε ιδιαίτερα προσεκτικοί κατά την αλλαγή κατεύθυνσης. Αυτό μειώνει τον κίνδυνο απώλειας ελέγχου, ολίσθησης και πτώσης, γεγονός που μπορεί να οδηγήσει σε τραυματισμό.
- Πρέπει να είστε εξαιρετικά προσεκτικοί κατά την οπισθοπορεία ή όταν τραβάτε το προϊόν προς το μέρος σας. Να είστε πάντα προσεκτικοί με το περιβάλλον σας. Αυτό μειώνει τον κίνδυνο παραπατήματος στη διάρκεια της λειτουργίας.
- Κρατήστε το προϊόν μόνο από τις μονωμένες επιφάνειες λαβής, επειδή τα δόντια μπορεί να έρθουν σε επαφή με κρυμμένα καλώδια ή με το καλώδιο του ίδιου του προϊόντος. Η επαφή των δοντιών με καλώδιο υπό τάση μπορεί να καταστήσει τα εκτεθειμένα μεταλλικά μέρη του μηχανήματος να τεθούν υπό τάση και να προκαλέσει ηλεκτροπληξία στον χειριστή.
- Μην αγγίζετε τα δόντια και άλλα επικίνδυνα κινούμενα μέρη ενώ βρίσκονται ακόμη σε κίνηση. Αυτό μειώνει τον κίνδυνο τραυματισμού από κινούμενα μέρη.

- Όταν απομακρύνετε υλικά που μπλοκάρουν τη λειτουργία ή όταν καθαρίζετε το προϊόν, βεβαιωθείτε ότι όλοι οι διακόπτες ισχύος είναι σβηστοί και ότι η μπαταρία είναι αποσυνδεδεμένη. Η μη αναμενόμενη λειτουργία του προϊόντος μπορεί να οδηγήσει σε σοβαρό τραυματισμό.

## Γενικές οδηγίες ασφαλείας



**ΠΡΟΕΙΔΟΠΟΙΗΣΗ:** Προτού χρησιμοποιήσετε το προϊόν, διαβάστε τις παρακάτω προειδοποιητικές οδηγίες.

- Αυτό το προϊόν είναι επικίνδυνο αν δεν χρησιμοποιηθεί σωστά ή αν δεν είστε προσεκτικοί. Αν δεν τηρείτε τις οδηγίες ασφαλείας, μπορεί να προκληθεί τραυματισμός ή θάνατος.
- Αυτό το προϊόν παράγει ηλεκτρομαγνητικό πεδίο κατά τη λειτουργία του. Το πεδίο αυτό, υπό ορισμένες συνθήκες, μπορεί να προκαλέσει παρεμβολές σε ενεργά ή παθητικά ιατρικά εμφυτεύματα. Για να μειωθεί ο κίνδυνος σοβαρών ή θανατηφόρων τραυματισμών, συνιστούμε στα άτομα με ιατρικά εμφυτεύματα να συμβουλευτούν τον θεράποντα ιατρό τους και τον κατασκευαστή του ιατρικού εμφυτεύματος, προτού θέσουν το προϊόν σε λειτουργία.
- Πρέπει πάντα να προσέχετε και να χρησιμοποιείτε την κοινή λογική. Αν δεν είστε βέβαιοι πώς να χειριστείτε το προϊόν σε μια ιδιαίτερη κατάσταση, σταματήστε και μιλήστε με τον αντιπρόσωπο της Husqvarna προτού συνεχίσετε.
- Πρέπει να θυμάστε ότι ο χειριστής θεωρείται υπεύθυνος για ατυχήματα που μπορεί να προκληθούν σε άλλα άτομα ή στην παρουσία τους.
- Να διατηρείτε το προϊόν καθαρό. Βεβαιωθείτε ότι μπορείτε να διαβάσετε καθαρά τις ενδείξεις και τα σήματα.
- Μην επιτρέπετε ποτέ σε παιδιά ή άλλα άτομα, που δεν έχουν εξοικειωθεί με αυτές τις οδηγίες, να χρησιμοποιήσουν τη συσκευή. Οι τοπικοί κανονισμοί μπορεί να θέτουν περιορισμούς για την ηλικία του χειριστή.
- Αν το προϊόν χρησιμοποιείται από ένα άτομο με μειωμένη σωματική ή διανοητική ικανότητα, θα πρέπει πάντα να το επιβλέπετε. Πρέπει να είναι παρών ένας υπεύθυνος ενήλικας ανά πάσα στιγμή.
- Μην χρησιμοποιείτε το προϊόν, αν είστε κουρασμένοι, άρρωστοι ή υπό την επήρεια αλκοόλ, ναρκωτικών ή φαρμάκων. Αυτά έχουν αρνητικές συνέπειες στην όραση, την αυτοσυγκέντρωση, τον συντονισμό και την κρίση σας.
- Μην χρησιμοποιείτε το προϊόν εάν έχει υποστεί ζημιά ή εάν δεν λειτουργεί σωστά.
- Μην τροποποιείτε το προϊόν και μην το χρησιμοποιείτε αν είναι εμφανές ότι έχει τροποποιηθεί από άλλους.

## Ασφάλεια στην εργασία



**ΠΡΟΕΙΔΟΠΟΙΗΣΗ:** Προτού χρησιμοποιήσετε το προϊόν, διαβάστε τις παρακάτω προειδοποιητικές οδηγίες.

- Χρησιμοποιήστε αυτό το προϊόν μόνο για να αφαιρέσετε τα ξερά χόρτα και τα βρύα από το γρασίδι. Δεν επιτρέπεται η χρήση του για άλλες εργασίες.
- Πρέπει να χρησιμοποιείτε προσωπικό εξοπλισμό προστασίας. Ανατρέξτε στην ενότητα *Προσωπικός εξοπλισμός προστασίας στη σελίδα 94*.
- Βεβαιωθείτε ότι γνωρίζετε πώς να σταματήσετε το μοτέρ γρήγορα σε περίπτωση έκτακτης ανάγκης.
- Μην χρησιμοποιείτε το προϊόν σε συνθήκες βροχής ή υγρασίας. Αυτό μπορεί να αυξήσει τον κίνδυνο ηλεκτροπληξίας.
- Μην λειτουργείτε το προϊόν αν δεν είναι σωστά συνδεδεμένα τα δόντια και όλα τα καλύμματα. Αν τα δόντια δεν είναι σωστά συνδεδεμένα, μπορούν να χαλαρώσουν και να προκληθεί τραυματισμός.
- Να βεβαιώνετε ότι τα δόντια δεν χτυπάνε αντικείμενα, όπως πέτρες και ρίζες. Αυτό μπορεί να προκαλέσει ζημιά στα δόντια και να λυγίσει τον άξονα του κινητήρα. Ο λυγισμένος άξονας προκαλεί ισχυρή δόνηση και πολύ υψηλό κίνδυνο χαλάρωσης των δοντιών.
- Σε περίπτωση πρόσκρουσης των δοντιών σε αντικείμενο ή αν διαπιστώσετε κραδασμούς, διακόψτε αμέσως τη λειτουργία του προϊόντος. Σβήστε τον κινητήρα, γυρίστε το κλειδί ασφαλείας στη θέση "0" και αφαιρέστε την μπαταρία. Περιμένετε μέχρι να σταματήσουν τα κινούμενα μέρη. Ελέγξτε το προϊόν για ζημιές. Σφίξτε τα χαλαρωμένα εξαρτήματα. Επισκευάστε τις ζημιές και αντικαταστήστε τα κατεστραμμένα εξαρτήματα. Η επίσκευθ θα πρέπει να γίνεται από εγκεκριμένο αντιπρόσωπο σέρβις.
- Μην συνδέετε ποτέ μόνιμα τη λαβή φρένου του κινητήρα στη λαβή όταν έχει εκκινήσει ο κινητήρας.
- Τοποθετήστε το προϊόν σε μια σταθερή, επίπεδη επιφάνεια αν εκκινήσε το. Να βεβαιώνετε ότι τα δόντια δεν χτυπάνε στο έδαφος ή σε άλλα αντικείμενα.
- Να παραμένετε πάντα πίσω από το προϊόν κατά τη λειτουργία.
- Κατά τη λειτουργία του προϊόντος, θα πρέπει όλοι οι τροχοί να ακουμπούν στο έδαφος και να διατηρείτε και τα 2 χέρια πάνω στη λαβή. Διατηρήστε τα χέρια και τα πόδια σας μακριά από τα περιστρεφόμενα δόντια.
- Μην γέρνετε το προϊόν όταν εκκινείτε τον κινητήρα ή όταν το προϊόν λειτουργεί.
- Να είστε προσεκτικοί όταν τραβάτε το προϊόν προς τα πίσω.
- Μην ανασηκώνετε ποτέ το προϊόν όταν έχει εκκινήσει ο κινητήρας. Αν πρέπει να ανασηκώσετε το προϊόν,

σβήστε πρώτα τον κινητήρα, γυρίστε το κλειδί ασφαλείας στη θέση "0" και αφαιρέστε την μπαταρία.

- Μην περπατάτε προς τα πίσω όταν χρησιμοποιείτε το προϊόν.
- Σταματήστε τον κινητήρα όταν πρέπει να γείρετε το προϊόν για μεταφορά ή πριν να μετακινηθείτε σε περιοχές χωρίς χορτάρι, για παράδειγμα σε μονοπάτια από χαλίκι, πέτρα και άσφαλτο.
- Μην τρέχετε με το προϊόν όταν έχει εκκινήσει ο κινητήρας. Να περπατάτε πάντα προς τα εμπρός όταν χρησιμοποιείτε το προϊόν.
- Σβήστε τον κινητήρα προτού αλλάξετε το βάθος εργασίας. Μην προβαίνετε ποτέ σε ρυθμίσεις ενώ έχει εκκινήσει ο κινητήρας.
- Μην αφήνετε ποτέ το προϊόν εκτός του οπτικού σας πεδίου ενώ έχει εκκινήσει ο κινητήρας. Σβήστε τον κινητήρα, γυρίστε το κλειδί ασφαλείας στη θέση "0" και αφαιρέστε την μπαταρία. Βεβαιωθείτε ότι ο εξοπλισμός αποβρύωσης δεν περιστρέφεται.
- Οι δονήσεις στο προϊόν στη διάρκεια της λειτουργίας μπορεί να διαφέρουν από την αναγραφόμενη τιμή δόνησης στο *Τεχνικά στοιχεία στη σελίδα 102*. Η διαφορά οφείλεται σε διακυμάνσεις στον τρόπο χρήσης του προϊόντος. Εάν χρησιμοποιείτε το προϊόν συχνά ή για μεγάλα χρονικά διαστήματα, πρέπει να κάνετε τακτικά διαλείμματα για να αποφύγετε τραυματισμούς από δονήσεις.

## Οδηγίες ασφαλείας για τη λειτουργία

### Προσωπικός εξοπλισμός προστασίας



**ΠΡΟΕΙΔΟΠΟΙΗΣΗ:** Προτού χρησιμοποιήσετε το προϊόν, διαβάστε τις παρακάτω προειδοποιητικές οδηγίες.

- Ο προσωπικός εξοπλισμός προστασίας δεν μπορεί να εξαλείψει τον κίνδυνο τραυματισμών, ωστόσο μειώνει τη σοβαρότητά τους σε περίπτωση ατυχήματος. Ο αντιπρόσωπος θα σας βοηθήσει να επιλέξετε το σωστό εξοπλισμό.
- Να χρησιμοποιείτε αντιολισθητικές μπότες ή παπούτσια βαρέος τύπου. Να μην χρησιμοποιείτε το προϊόν με ανοιχτά παπούτσια ή ξυπόλυτοι.
- Χρησιμοποιήστε χοντρά, μακριά παντελόνια.
- Όταν χρειάζεται, να χρησιμοποιείτε προστατευτικά γάντια, για παράδειγμα κατά την τοποθέτηση, την επιθεώρηση ή τον καθαρισμό του εξοπλισμού κοπής.
- Συνιστάται η χρήση προστατευτικών ακοής.

### Συσκευές ασφαλείας στο προϊόν



**ΠΡΟΕΙΔΟΠΟΙΗΣΗ:** Προτού χρησιμοποιήσετε το προϊόν, διαβάστε τις παρακάτω προειδοποιητικές οδηγίες.

- Μην χρησιμοποιείτε το προϊόν με συσκευές ασφαλείας που έχουν υποστεί ζημιά ή δεν λειτουργούν σωστά.

- Μην αφαιρείτε και μην τροποποιείτε τις διατάξεις ασφαλείας.
- Πρέπει να κάνετε τακτικά έλεγχο των συσκευών ασφαλείας. Εάν οι συσκευές ασφαλείας έχουν υποστεί ζημιά ή δεν λειτουργούν σωστά, απευθυνθείτε στον αντιπρόσωπο σέρβις της Husqvarna.

### Έλεγχος των καλυμμάτων

Το κάλυμμα αραιωτήρα μειώνει τους κραδασμούς στο προϊόν και τον κίνδυνο τραυματισμού από τον εξοπλισμό αραιωτήρα.

- Ελέγξτε το πλαίσιο κάλυμμα του αραιωτήρα για να βεβαιωθείτε ότι δεν υπάρχουν ζημιές όπως ρωγμές.
- Ελέγξτε το πίσω κάλυμμα για να βεβαιωθείτε ότι δεν υπάρχουν ζημιές όπως ρωγμές.

### Λαβή φρένου μοτέρ

Χρησιμοποιήστε τη λαβή φρένου του κινητήρα, για να σβήσετε τον κινητήρα. Εάν απελευθερώσετε τη λαβή φρένου του κινητήρα, ο κινητήρας σβήνει.

Για να ελέγξετε το φρένο του κινητήρα, εκκινήστε τον κινητήρα και, στη συνέχεια, απελευθερώστε τη λαβή φρένου του κινητήρα. Αν ο κινητήρας δεν σβήσει εντός 3 δευτερολέπτων, απευθυνθείτε σε έναν εγκεκριμένο αντιπρόσωπο σέρβις της Husqvarna για τη ρύθμιση του φρένου του κινητήρα.

(Εικ. 19)

### Κλειδί ασφαλείας

Το κλειδί ασφαλείας βρίσκεται κάτω από το καπάκι της μπαταρίας. Το κλειδί ασφαλείας χρησιμοποιείται για τη σύνδεση της μπαταρίας που τροφοδοτεί με ρεύμα τον κινητήρα.

- Για να ελέγξετε το κλειδί ασφαλείας, εκκινήστε και σβήστε τον κινητήρα.
- Αν το κλειδί ασφαλείας λειτουργεί σωστά, ο κινητήρας εκκινείται μόνο όταν γυρίζετε το κλειδί στη θέση "1".

(Εικ. 20)

### Έλεγχος αναστολέα εκκίνησης

Ελέγξτε τον αναστολέα εκκίνησης για να βεβαιωθείτε ότι εμποδίζει τη λειτουργία του κινητήρα.

1. Σπρώξτε τη λαβή του φρένου του μοτέρ προς την κατεύθυνση της χειρολαβής. Ο αναστολέας εκκίνησης σταματά να κινείται.
2. Σπρώξτε τον αναστολέα εκκίνησης προς τα έξω. (Εικ. 21)
3. Αφήστε τον αναστολέα εκκίνησης και βεβαιωθείτε ότι επιστρέφει στην αρχική του θέση.

## Ασφάλεια μπαταρίας



**ΠΡΟΕΙΔΟΠΟΙΗΣΗ:** Προτού χρησιμοποιήσετε το προϊόν, διαβάστε τις παρακάτω προειδοποιητικές οδηγίες.

- Χρησιμοποιείτε επαναφορτιζόμενες μπαταρίες της Husqvarna ως πηγή ηλεκτρικής ισχύος μόνο για τα σχετικά προϊόντα της Husqvarna. Για την αποφυγή τραυματισμών, μην χρησιμοποιείτε την μπαταρία ως πηγή ηλεκτρικής ισχύος για άλλες συσκευές.
- Μην χρησιμοποιείτε μη επαναφορτιζόμενες μπαταρίες.
- Κίνδυνος ηλεκτροπληξίας. Μην συνδέετε τους ακροδέκτες της μπαταρίας σε κλειδιά, νομίσματα, βίδες ή άλλα μεταλλικά αντικείμενα. Αυτό μπορεί να προκαλέσει βραχυκύκλωμα της μπαταρίας.
- Μην τοποθετείτε αντικείμενα μέσα στις εγκοπές αερισμού της μπαταρίας.
- Διατηρείτε την μπαταρία μακριά από την ηλιακή ακτινοβολία, τη θερμότητα ή τις γυμνές φλόγες. Η μπαταρία μπορεί να εκραγεί και να προκαλέσει εγκαυματα ή/και χημικά εγκαυματα.
- Διατηρείτε την μπαταρία μακριά από συνθήκες βροχής και υγρασίας.
- Διατηρείτε την μπαταρία μακριά από πηγές μικροκυμάτων και υψηλής πίεσης.
- Μην προσπαθήσετε να αποσυναρμολογήσετε ή να διαλύσετε την μπαταρία.
- Αν η μπαταρία εμφανίσει διαρροή, φροντίστε το υγρό να μην έρθει σε επαφή με το δέρμα ή τα μάτια σας. Αν έρθετε σε επαφή με το υγρό, καθαρίστε την περιοχή με μεγάλη ποσότητα νερού και ζητήστε ιατρική βοήθεια.
- Χρησιμοποιείτε την μπαταρία του προϊόντος μόνο όταν η θερμοκρασία περιβάλλοντος είναι μεταξύ 5 °C και 40 °C.
- Χρησιμοποιείτε τον φορτιστή μπαταρίας μόνο όταν η θερμοκρασία περιβάλλοντος είναι μεταξύ 5 °C και 40 °C.
- Η μπαταρία δεν θα φορτίσει εάν η θερμοκρασία της μπαταρίας είναι πάνω από 50 °C.
- Μην καθαρίζετε την μπαταρία ή τον φορτιστή μπαταρίας με νερό. Ανατρέξτε στην ενότητα *Μπαταρία στη σελίδα 100*.
- Μην χρησιμοποιείτε κατεστραμμένες μπαταρίες.
- Φυλάσσετε τις μπαταρίες μακριά από μεταλλικά αντικείμενα, όπως καρφιά, νομίσματα και κοσμήματα.

## Ασφάλεια φορτιστή μπαταρίας



**ΠΡΟΕΙΔΟΠΟΙΗΣΗ:** Προτού χρησιμοποιήσετε το προϊόν, διαβάστε τις παρακάτω προειδοποιητικές οδηγίες.

- Χρησιμοποιείτε τους φορτιστές μπαταρίας QC για να φορτίζετε μόνο τις ανταλλακτικές μπαταρίες της Husqvarna.

- Κίνδυνος ηλεκτροπληξίας ή βραχυκυκλώματος. Μην τοποθετείτε αντικείμενα μέσα στις εγκοπές αερισμού του φορτιστή. Μην επιχειρείτε να αποσυναρμολογήσετε τον φορτιστή μπαταρίας. Μην συνδέετε ποτέ τους ακροδέκτες του φορτιστή σε μεταλλικά αντικείμενα. Χρησιμοποιήστε μια εγκεκριμένη πρίζα.
- Αυτό το προϊόν παράγει ηλεκτρομαγνητικό πεδίο κατά τη λειτουργία του. Το πεδίο αυτό, υπό ορισμένες συνθήκες, μπορεί να προκαλέσει παρεμβολές σε ενεργά ή παθητικά ιατρικά εμφυτεύματα. Προκειμένου να μειωθεί ο κίνδυνος παθήσεων που μπορεί να προκαλέσουν τραυματισμό ή θάνατο, συνιστούμε στα άτομα με ιατρικά εμφυτεύματα να συμβουλευτούν το θεράποντα ιατρό τους και τον κατασκευαστή του ιατρικού εμφυτεύματος, πριν να θέσουν το προϊόν σε λειτουργία.
- Να βεβαιώνεται τακτικά ότι το καλώδιο ρεύματος του φορτιστή της μπαταρίας δεν έχει υποστεί ζημιά και ότι δεν παρουσιάζει ρωγμές.
- Μην σηκώνετε τον φορτιστή μπαταρίας από το καλώδιο ρεύματος. Για να αποσυνδέσετε τον φορτιστή της μπαταρίας από την πρίζα, τραβήξτε το βύσμα. Μην τραβάτε το καλώδιο.
- Διατηρείτε το καλώδιο ρεύματος και το καλώδιο επέκτασης μακριά από νερό, λάδι και αιχμηρές γωνίες. Βεβαιωθείτε ότι το καλώδιο δεν έχει μαγκώσει σε πόρτες, φράκτες ή παρόμοια σημεία. Μπορεί να προκληθεί κίνδυνος τροφοδοσίας ρεύματος στο φορτιστή.
- Μην καθαρίζετε τον φορτιστή μπαταρίας με νερό.
- Ο φορτιστής της μπαταρίας μπορεί να χρησιμοποιηθεί από παιδιά ηλικίας από 8 ετών και άνω και από άτομα με περιορισμένες σωματικές, αισθητήριες ή διανοητικές ικανότητες ή από άτομα χωρίς εμπειρία και γνώση, εφόσον τον χρησιμοποιούν υπό επίτηρηση ή έχουν λάβει οδηγίες σχετικά με την ασφαλή χρήση του και κατανοούν τους κινδύνους που ενέχονται. Τα παιδιά δεν πρέπει να παίζουν με το φορτιστή της μπαταρίας. Τα παιδιά δεν πρέπει να εκτελούν εργασίες καθαρισμού και συντήρησης χωρίς επίβλεψη.
- Μην φορτίζετε μη επαναφορτιζόμενες μπαταρίες με το φορτιστή της μπαταρίας.
- Μην χρησιμοποιείτε τον φορτιστή μπαταρίας κοντά σε εύφλεκτα υλικά ή υλικά που μπορούν να προκαλέσουν διάβρωση. Μην καλύπτετε το φορτιστή μπαταρίας. Σε περίπτωση έκλυσης καπνού ή τυρκαγιάς, βγάλτε τον φορτιστή μπαταρίας από την πρίζα.
- Μη χρησιμοποιείτε φορτιστή μπαταρίας που παρουσιάζει ελάττωμα ή έχει υποστεί ζημιά.
- Φορτίστε την μπαταρία μόνο σε εσωτερικό και καλά αεριζόμενο χώρο μακριά από την ηλιακή ακτινοβολία. Μην φορτίζετε την μπαταρία σε συνθήκες υγρασίας.

## Οδηγίες ασφαλείας για τη συντήρηση



**ΠΡΟΕΙΔΟΠΟΙΗΣΗ:** Προτού χρησιμοποιήσετε το προϊόν, διαβάστε τις παρακάτω προειδοποιητικές οδηγίες.

- Για την αποφυγή ακούσιας εκκίνησης κατά τις εργασίες συντήρησης, γυρίστε το κλειδί ασφαλείας στη θέση "0" και αφαιρέστε την μπαταρία. Περιμένετε τουλάχιστον για 5 δευτερόλεπτα προτού ξεκινήσετε τις εργασίες συντήρησης.
- Να εκτελείτε σωστά τις εργασίες συντήρησης για να αυξήσετε τη διάρκεια ζωής του προϊόντος και να μειώσετε τον κίνδυνο ατυχημάτων. Να αναθέτετε τις επαγγελματικές επισκευές σε έναν εγκεκριμένο αντιπρόσωπο σέρβις. Επικοινωνήστε με τον πλησιέστερο αντιπρόσωπο σέρβις για περισσότερες πληροφορίες.
- Να πραγματοποιείτε μόνο τις εργασίες συντήρησης που περιλαμβάνονται στο παρόν εγχειρίδιο χρήσης. Οι εκτεταμένες εργασίες πρέπει να εκτελούνται από εξουσιοδοτημένο αντιπρόσωπο σέρβις.
- Για την αποφυγή τραυματισμών, μην αφαιρείτε και μην τροποποιείτε τις συσκευές ασφαλείας.

- Φοράτε ανθεκτικά γάντια όταν χρησιμοποιείτε τον εξοπλισμό αποβρώσεως. Ο εξοπλισμός αποβρώσεως είναι πολύ κοφτερός και μπορεί εύκολα να κοπείτε.
- Διατηρείτε τα δόντια στον εξοπλισμό αποβρώσεως κοφτερά και καθαρά για καλύτερη απόδοση και μεγαλύτερη ασφάλεια.
- Να αναθέτετε στον αντιπρόσωπο σέρβις να ελέγχει συχνά το προϊόν και να κάνει τις απαραίτητες ρυθμίσεις και επισκευές.
- Φροντίστε να αντικαθιστάτε τυχόν κατεστραμμένα, φθαρμένα ή σπασμένα εξαρτήματα. Να χρησιμοποιείτε πάντα γνήσια ανταλλακτικά από τον κατασκευαστή. Άλλα ανταλλακτικά μπορεί να προκαλέσουν ζημιά στο προϊόν και να αυξήσουν τον κίνδυνο ατυχημάτων.
- Τηρείτε τις οδηγίες για την αλλαγή των αξεσουάρ. Χρησιμοποιήστε μόνο αξεσουάρ του κατασκευαστή.
- Αποθηκεύετε το προϊόν, την μπαταρία και τον φορτιστή μπαταρίας ξεχωριστά σε κλειδωμένο εσωτερικό χώρο χωρίς υγρασία, όταν δεν τα χρησιμοποιείτε. Βεβαιωθείτε ότι τα παιδιά και τα μη εξουσιοδοτημένα άτομα δεν έχουν πρόσβαση στο προϊόν, την μπαταρία ή τον φορτιστή μπαταρίας.

## Συναρμολόγηση

### Εισαγωγή



**ΠΡΟΕΙΔΟΠΟΙΗΣΗ:** Πριν συναρμολογήσετε το προϊόν, διαβάστε το κεφάλαιο για την ασφάλεια.



**ΠΡΟΕΙΔΟΠΟΙΗΣΗ:** Για την αποφυγή ακούσιας εκκίνησης κατά τη συναρμολόγηση, γυρίστε το κλειδί ασφαλείας στη θέση "0", αφαιρέστε την μπαταρία και περιμένετε τουλάχιστον για 5 δευτερόλεπτα.

5. Σφίξτε πλήρως τις χειρόβιδες.

### Συναρμολόγηση του συλλέκτη χόρτου

1. Τοποθετήστε το πλαίσιο συλλέκτη χόρτου στον σάκο χόρτου με το άκαμπτο τμήμα του σάκου να ακουμπά στο έδαφος. Κρατήστε τη λαβή του πλαισίου στο επάνω μέρος του σάκου χόρτου. (Εικ. 24)
2. Τοποθετήστε το κάτω τμήμα του πλαισίου του συλλέκτη χόρτου στην εγκοπή στο κάτω μέρος του συλλέκτη χόρτου.
3. Στερεώστε τον σάκο χόρτου στο πλαίσιο του συλλέκτη χόρτου με τα κλιπ. (Εικ. 25)
4. Ανασηκώστε το πίσω κάλυμμα.
5. Μετακινήστε το συλλέκτη χόρτου στη σωστή θέση. (Εικ. 26)
6. Συνδέστε το συλλέκτη χόρτου στο επάνω άκρο του σασί. Βεβαιωθείτε ότι το πίσω κάλυμμα εφαρμόζει ερμητικά πάνω στο συλλέκτη χόρτου για την αποφυγή διαρροής. (Εικ. 27)

### Για να συναρμολογήσετε την λαβή

1. Χαλαρώστε τις κάτω χειρόβιδες.
2. Μετακινήστε τους μοχλούς στο κατώτερο άκρο των αλφακώσεων από την αριστερή και τη δεξιά πλευρά του προϊόντος. (Εικ. 22)
3. Ρυθμίστε το ύψος της χειρολαβής σε μία από τις 2 διαθέσιμες θέσεις.
4. Μετακινήστε τους μοχλούς προς την κατεύθυνση της χειρολαβής μέχρι να σταματήσουν και να ακούσετε ένα κλικ. (Εικ. 23)



# Λειτουργία

## Εισαγωγή



**ΠΡΟΕΙΔΟΠΟΙΗΣΗ:** Προτού χρησιμοποιήσετε το προϊόν, πρέπει να διαβάσετε και να κατανοήσετε το κεφάλαιο για την ασφάλεια.

## Husqvarna Connect

Η Husqvarna Connect είναι μια δωρεάν εφαρμογή για τη φορητή συσκευή σας. Η εφαρμογή Husqvarna Connect παρέχει εκτεταμένες λειτουργίες για το προϊόν σας Husqvarna:

- Περισσότερες πληροφορίες για το προϊόν.
- Πληροφορίες και βοήθεια για τα ανταλλακτικά και το σέρβις του προϊόντος.

## Για να αρχίσετε να χρησιμοποιείτε το προϊόν Husqvarna Connect

1. Κατεβάστε την εφαρμογή Husqvarna Connect στη φορητή συσκευή σας.
2. Εγγραφείτε στην εφαρμογή Husqvarna Connect.
3. Ακολουθήστε τα βήματα με τις οδηγίες που θα βρείτε στην εφαρμογή Husqvarna Connect για να συνδέσετε και να δηλώσετε το προϊόν.

## Ρύθμιση του βάθους εργασίας



**ΠΡΟΕΙΔΟΠΟΙΗΣΗ:** Μην ρυθμίζετε το βάθος εργασίας όταν χειρίζεστε το προϊόν.

1. Πατήστε και γυρίστε το κουμπί ρύθμισης του βάθους εργασίας αριστερόστροφα για να αυξήσετε το βάθος εργασίας.
2. Πατήστε και γυρίστε το κουμπί ρύθμισης του βάθους εργασίας δεξιόστροφα για να μειώσετε το βάθος εργασίας. (Εικ. 28)

## Μπαταρία



**ΠΡΟΕΙΔΟΠΟΙΗΣΗ:** Προτού χρησιμοποιήσετε την μπαταρία, πρέπει να διαβάσετε και να κατανοήσετε το κεφάλαιο σχετικά με την ασφάλεια. Πρέπει επίσης να διαβάσετε και να κατανοήσετε το εγχειρίδιο χρήσης για την μπαταρία και τον φορτιστή της μπαταρίας.

Διατηρείτε την μπαταρία και τον φορτιστή μπαταρίας στις σωστές θερμοκρασίες περιβάλλοντος.

	Θερμοκρασία περιβάλλοντος
Λειτουργία της μπαταρίας	5 °C - 40 °C
Φόρτιση μπαταρίας	5 °C - 40 °C

## Κατάσταση μπαταρίας

Στην οθόνη εμφανίζονται η εναπομένουσα χωρητικότητα της μπαταρίας και τυχόν προβλήματα της μπαταρίας. Πατήστε το κουμπί ένδειξης μπαταρίας για πληροφορίες σχετικά με την κατάσταση φόρτισης της μπαταρίας. Το προειδοποιητικό σύμβολο στην μπαταρία ανάβει όταν παρουσιαστεί σφάλμα. Ανατρέξτε στην ενότητα *Μπαταρία στη σελίδα 100*.

(Εικ. 29)

Ενδεικτικές λυχνίες LED	Κατάσταση μπαταρίας
Όλες οι ενδεικτικές λυχνίες LED είναι αναμμένες	Πλήρως φορτισμένη (76-100%)
Οι ενδεικτικές λυχνίες LED 1, LED 2, LED 3 είναι αναμμένες	Η μπαταρία είναι φορτισμένη κατά 51%-75%
Οι ενδεικτικές λυχνίες LED 1, LED 2 είναι αναμμένες	Η μπαταρία είναι φορτισμένη κατά 26%-50%
Η ενδεικτική λυχνία LED 1 είναι αναμμένη	Η μπαταρία είναι φορτισμένη κατά 6%-25%.
Αναβοσβήνει η λυχνία LED 1	Η μπαταρία είναι φορτισμένη κατά 0%-5%.

## Φόρτιση της μπαταρίας

Φορτίστε την μπαταρία πριν από την πρώτη χρήση. Η μπαταρία είναι φορτισμένη μόνο κατά 30% όταν παρέχεται στον πελάτη.

**Περιεχόμενα** Ο φορτιστής της μπαταρίας πρέπει να συνδέεται σε παροχή με τάση και συχνότητα ίδια με αυτή που ορίζεται στην πινακίδα στοιχείων.

Η φόρτιση της μπαταρίας δεν είναι δυνατή αν η θερμοκρασία της μπαταρίας είναι μεγαλύτερη από 50 °C. Ο φορτιστής της μπαταρίας μειώνει τη θερμοκρασία πριν ξεκινήσει η φόρτιση.

1. Συνδέστε το ένα άκρο του καλωδίου ρεύματος του φορτιστή μπαταρίας στην υποδοχή του φορτιστή μπαταρίας.

2. Συνδέστε το άλλο άκρο του καλωδίου ρεύματος του φορτιστή μπαταρίας σε μια γειωμένη πρίζα. Η ενδεικτική λυχνία LED στον φορτιστή της μπαταρίας θα αναβοσβήσει με πράσινο χρώμα μία φορά. (Εικ. 30)
3. Τοποθετήστε την μπαταρία στο φορτιστή μπαταρίας. Όταν η μπαταρία συνδεθεί σωστά στον φορτιστή, ανάβει η πράσινη λυχνία στον φορτιστή. (Εικ. 31)
4. Η μπαταρία είναι πλήρως φορτισμένη, όταν ανάψουν όλες οι λυχνίες LED στην μπαταρία. Ο μέγιστος χρόνος φόρτισης της μπαταρίας δεν θα πρέπει να υπερβαίνει τις 24 ώρες.
5. Για να αποσυνδέσετε τον φορτιστή της μπαταρίας από την πρίζα, τραβήξτε το φως και όχι το καλώδιο.
6. Αφαιρέστε την μπαταρία από το φορτιστή.

## Εκκίνηση προϊόντος

1. Τοποθετήστε μια φορτισμένη μπαταρία μέσα στον χώρο μπαταρίας με αριθμό 1 κάτω από το καπάκι της μπαταρίας. Για μεγαλύτερη διάρκεια λειτουργίας, τοποθετήστε μια δεύτερη φορτισμένη μπαταρία στον χώρο μπαταρίας με αριθμό 2.
2. Γυρίστε το κλειδί ασφαλείας στη θέση "1". (Εικ. 32)
3. Να παραμένετε πίσω από το προϊόν.
4. Πατήστε το κουμπί ON/OFF (A) στο ταμπλό ελέγχου και θα ανάψει η πράσινη λυχνία LED (B). (Εικ. 33)
5. Χαλαρώστε τον αναστολέα εκκίνησης. (Εικ. 34)
6. Σπρώξτε τη λαβή φρένου του κινητήρα προς την κατεύθυνση της χειρολαβής. (Εικ. 35)

## Χρήση της λειτουργίας εξοικονόμησης SavE (αξεσουάρ)

Το προϊόν διαθέτει μια λειτουργία εξοικονόμησης μπαταρίας (SavE) για μεγαλύτερη διάρκεια λειτουργίας.

1. Πατήστε το κουμπί εξοικονόμησης SavE (A) για να εκκινήσετε τη λειτουργία. Η πράσινη λυχνία LED ανάβει. (Εικ. 36)
2. Πατήστε ξανά το κουμπί εξοικονόμησης SavE για να διακόψετε τη λειτουργία. Η πράσινη λυχνία LED (B) σβήνει.

## Λειτουργία υψηλού φορτίου

Οι σ.α.λ. του κινητήρα αυξάνονται αυτόματα, όταν το προϊόν κόβει μακρύ ή νωπό χορτάρι. Ο κινητήρας επιστρέφει σε κανονική λειτουργία όταν δεν απαιτείται υψηλό φορτίο.

## Σβήσιμο του μοτέρ

Στη διάρκεια της λειτουργίας, η λεπίδα και το μοτέρ μπορεί να σταματήσουν προσωρινά, λόγω εμπόδιων

όπως το μπλοκάρισμα του χορταριού κάτω από το κάλυμμα κοπής. Εάν συμβεί αυτό και διατηρήσετε πατημένη τη λαβή του φρένου του μοτέρ, το προϊόν θα επανεκκινήσει αυτόματα. Αν το προϊόν δεν επανεκκινήθει σε 5-10 δευτερόλεπτα, μπορεί να χρειαστεί να καθαρίσετε την περιοχή κάτω από το κάλυμμα κοπής. Ανατρέξτε στην ενότητα *Καθαρισμός του προϊόντος στη σελίδα 99*.



**ΠΡΟΕΙΔΟΠΟΙΗΣΗ:** Αν σταματήσει το μοτέρ, το προϊόν προσπαθεί να επανεκκινήσει αυτόματα για 5-10 δευτερόλεπτα. Περιμένετε τουλάχιστον 15 δευτερόλεπτα προτού ελέγξετε το κάλυμμα κοπής.



**ΠΡΟΕΙΔΟΠΟΙΗΣΗ:** Πριν από τον έλεγχο του καλύμματος κοπής, αφήστε τη λαβή του φρένου του μοτέρ, γυρίστε το κλειδί ασφαλείας στη θέση 0, αφαιρέστε την μπαταρία και περιμένετε τουλάχιστον 5 δευτερόλεπτα. Υπάρχει κίνδυνος τραυματισμού σε περίπτωση αφαίρεσης του εμποδίου και της τυχαίας εκκίνησης του προϊόντος.

## Διακοπή λειτουργίας του προϊόντος

Το προϊόν σταματά να λειτουργεί, αν δεν το χρησιμοποιήσετε για 10 λεπτά. Μην αφήνετε ποτέ το προϊόν εκτός του οπτικού σας πεδίου ενώ έχει εκκινήσει ο κινητήρας. Σβήστε τον κινητήρα, γυρίστε το κλειδί ασφαλείας στη θέση "0" και αφαιρέστε την μπαταρία. Βεβαιωθείτε ότι ο εξοπλισμός αποβρύδωσης δεν περιστερέφεται.

1. Αφήστε τη λαβή του φρένου του μοτέρ για να σβήσετε τον κινητήρα. (Εικ. 37)
2. Πατήστε το κουμπί ON/OFF (A) στον πίνακα ελέγχου και θα σβήσει η πράσινη λυχνία LED (B). (Εικ. 33)
3. Ανοίξτε το καπάκι της μπαταρίας και γυρίστε το κλειδί ασφαλείας στη θέση "0". (Εικ. 38)
4. Για να αφαιρέσετε την μπαταρία, πατήστε ταυτόχρονα τα 2 κουμπιά απασφάλισης και τραβήξτε την μπαταρία προς τα έξω. (Εικ. 39)
5. Φορτίστε την μπαταρία, αν η στάθμη φόρτισης είναι πολύ χαμηλή. Για περισσότερες πληροφορίες, ανατρέξτε στην ενότητα *Φόρτιση της μπαταρίας στη σελίδα 97*.

# Συντήρηση

## Εισαγωγή



**ΠΡΟΕΙΔΟΠΟΙΗΣΗ:** Προτού εκτελέσετε εργασίες συντήρησης, πρέπει να διαβάσετε και να κατανοήσετε το κεφάλαιο για την ασφάλεια.

Για όλες τις εργασίες συντήρησης και επισκευής στο προϊόν, είναι απαραίτητη ειδική εκπαίδευση. Μπορούμε να εγγυηθούμε για τη διαθεσιμότητα των επαγγελματικών επισκευών και τη συντήρηση. Αν ο αντιπρόσωπός σας δεν είναι αντιπρόσωπος σέρβις, μιλήστε του για πληροφορίες σχετικά με τον πλησιέστερο αντιπρόσωπο σέρβις.

Για λεπτομερέστερες πληροφορίες, ανατρέξτε στη σελίδα [www.husqvarna.com](http://www.husqvarna.com).

## Πρόγραμμα συντήρησης

Τα διαστήματα συντήρησης υπολογίζονται με βάση την καθημερινή χρήση του προϊόντος. Τα διαστήματα αλλάζουν αν το προϊόν δεν χρησιμοποιείται καθημερινά.

Για τις εργασίες συντήρησης που επισμαίνονται με αστερίσκο (\*), ανατρέξτε στην ενότητα *Συσκευές ασφαλείας στο προϊόν στη σελίδα 94*.

S 138i	Σε κάθε χρήση	Κάθε μήνα	Σε κάθε σεζόν
Πραγματοποιήστε γενική επιθεώρηση.	X		
Καθαρίστε το προϊόν.	X		
Ελέγξτε τον εξοπλισμό αποβρύωσης.	X		
Βεβαιωθείτε ότι οι συσκευές ασφαλείας στο προϊόν δεν είναι ελαττωματικές. *	X		
Ελέγξτε τα καλύμματα. *	X		
Ελέγξτε τη λαβή του φρένου του μοτέρ. *	X		
Ελέγξτε τον αναστολέα εκκίνησης. *	X		
Επιβεβαιώστε τη σωστή και μη ελαττωματική λειτουργία του κουμπιού ON/OFF.	X		
Ελέγξτε την μπαταρία για ζημιά.	X		
Έλεγχος της φόρτισης της μπαταρίας.	X		
Έλεγχος της σωστής λειτουργίας των κουμπιών απασφάλισης της μπαταρίας και της ασφάλισης της μπαταρίας μέσα στο προϊόν.	X		
Ελέγξτε τον φορτιστή μπαταρίας για τυχόν ζημιές και βεβαιωθείτε ότι λειτουργεί σωστά.		X	
Ελέγξτε τις συνδέσεις μεταξύ της μπαταρίας και του προϊόντος. Επιπλέον, ελέγξτε τη σύνδεση μεταξύ της μπαταρίας και του φορτιστή μπαταρίας.			X

## Εκτέλεση γενικής επιθεώρησης

- Βεβαιωθείτε ότι τα παζιμάδια και οι βίδες πάνω στο προϊόν είναι σφιγμένα.
- Βεβαιωθείτε ότι τα καλώδια στο προϊόν δεν βρίσκονται σε σημείο όπου μπορούν να υποστούν ζημιά.

μπαταρία ή στον κινητήρα και να προκαλέσει βραχυκύκλωμα ή ζημιά στο προϊόν.

- Μην χρησιμοποιείτε σύστημα πλύσης με υψηλή πίεση για να καθαρίσετε το προϊόν.
- Μην ρίχνετε νερό απευθείας επάνω στον κινητήρα.
- Χρησιμοποιήστε μια βούρτσα για να αφαιρέσετε φύλλα, γρασίδι και ακαθαρσίες.

## Καθαρισμός του προϊόντος

- Καθαρίζετε τα πλαστικά εξαρτήματα με καθαρό και στεγνό πανί.
- Μην χρησιμοποιείτε νερό για να καθαρίσετε το προϊόν. Το νερό μπορεί να εισχωρήσει στην

## Καθαρισμός της μπαταρίας και του φορτιστή μπαταρίας



**ΠΡΟΕΙΔΟΠΟΙΗΣΗ:** Μην καθαρίζετε την μπαταρία ή τον φορτιστή μπαταρίας με νερό.



**ΠΡΟΕΙΔΟΠΟΙΗΣΗ:** Μην χρησιμοποιείτε χημικές ουσίες για τον καθαρισμό της μπαταρίας.

- Βεβαιωθείτε ότι η μπαταρία και ο φορτιστής είναι καθαροί και στεγνοί προτού τοποθετήσετε την μπαταρία στον φορτιστή.
- Καθαρίστε τους πόλους της μπαταρίας με πεπιεσμένο αέρα ή χρησιμοποιήστε μαλακό και στεγνό πανί.
- Καθαρίστε τις επιφάνειες της μπαταρίας και του φορτιστή της μπαταρίας με μαλακό και στεγνό πανί.

## Έλεγχος του εξοπλισμού αποβρύωσης



**ΠΡΟΕΙΔΟΠΟΙΗΣΗ:** Για την αποφυγή ακούσιας εκκίνησης, γυρίστε το κλειδί ασφαλείας στη θέση "0", αφαιρέστε την μπαταρία και περιμένετε τουλάχιστον για 5 δευτερόλεπτα.



**ΠΡΟΕΙΔΟΠΟΙΗΣΗ:** Να χρησιμοποιείτε προστατευτικά γάντια όταν

κάνετε συντήρηση του εξοπλισμού αποβρύωσης. Τα δόντια στον εξοπλισμό αποβρύωσης είναι πολύ κοφτερά και μπορεί εύκολα να κοπείτε.

- Ελέγξτε τον εξοπλισμό αποβρύωσης για ζημιές ή ρωγμές. Αντικαθιστάτε πάντα τον εξοπλισμό αποβρύωσης, αν έχει υποστεί ζημιά.

## Αντικατάσταση του εξοπλισμού αραιωτήρα



**ΠΡΟΕΙΔΟΠΟΙΗΣΗ:** Να χρησιμοποιείτε προστατευτικά γάντια όταν κάνετε συντήρηση του εξοπλισμού αραιωτήρα. Ο εξοπλισμός αραιωτήρα είναι πολύ κοφτερός και μπορεί εύκολα να κοπείτε.

1. Τοποθετήστε το προϊόν με τη δεξιά πλευρά. (Εικ. 40)
2. Αφαιρέστε τις 2 βίδες (A) και το κάλυμμα του αραιωτήρα (B). Σπρώξτε τον εξοπλισμό αραιωτήρα (C) προς τα πάνω και προς τα έξω και αφαιρέστε τον. (Εικ. 41)
3. Σπρώξτε τον καινούργιο εξοπλισμό αραιωτήρα (C) στην εγκοπή και προς τα κάτω μέσα στην οπή. Τοποθετήστε το κάλυμμα αραιωτήρα (B) και τις 2 βίδες (A). (Εικ. 42)

## Αντιμετώπιση προβλημάτων

### Μπαταρία

Λυχνία LED στην μπαταρία	Αιτία	Λύση
Η πράσινη λυχνία LED αναβοσβήνει.	Η τάση της μπαταρίας είναι χαμηλή.	Φορτίστε την μπαταρία. Ανατρέξτε στην ενότητα <i>Φόρτιση της μπαταρίας στη σελίδα 97</i> .
Η λυχνία LED σφάλματος της μπαταρίας αναβοσβήνει.	Η μπαταρία είναι πολύ κρύα ή πολύ ζεστή για χρήση.	Αφήστε την μπαταρία να κρυώσει ή προθερμανέτε την σε εσωτερικό χώρο. Όταν η θερμοκρασία της μπαταρίας είναι σωστή, μπορεί να χρησιμοποιηθεί ξανά. Χρησιμοποιείτε την μπαταρία του προϊόντος μόνο όταν η θερμοκρασία περιβάλλοντος είναι μεταξύ 5 °C και -40 °C.
	Η μπαταρία είναι άδεια.	Φορτίστε την μπαταρία. Ανατρέξτε στην ενότητα <i>Φόρτιση της μπαταρίας στη σελίδα 97</i> .
Η λυχνία LED σφάλματος της μπαταρίας ανάβει.	Υπάρχει μόνιμο σφάλμα μπαταρίας.	Απευθυνθείτε στον αντιπρόσωπο σέρβις της Husqvarna.

## Φορτιστής μπαταρίας

Λυχνία LED στον φορτιστή της μπαταρίας	Αιτία	Λύση
Η λυχνία LED σφάλματος αναβοσβήνει ή ανάβει.	Ο φορτιστής μπαταρίας είναι πολύ κρύος ή πολύ ζεστός για χρήση.	Αφήστε τον φορτιστή μπαταρίας να κρυώσει ή μετακινήστε τον σε εσωτερικό χώρο για να ζεσταθεί. Όταν ο φορτιστής μπαταρίας έχει τη σωστή θερμοκρασία, μπορεί να χρησιμοποιηθεί ξανά. Χρησιμοποιήστε το φορτιστή μπαταρίας όταν η θερμοκρασία περιβάλλοντος είναι 5 °C-40 °C.
	Άλλα σφάλματα.	Απευθυνθείτε στον αντιπρόσωπο σέρβις της Husqvarna.

## Πίνακας ελέγχου

Σφάλμα	Κωδικός σφάλματος (αριθμός αναλαμπών)	Πιθανά σφάλματα	Πιθανή ενέργεια
Η λυχνία LED σφάλματος αναβοσβήνει	3	Ο κινητήρας έχει υπερφορτωθεί.	Μειώστε το βάθος εργασίας. Ανατρέξτε στην ενότητα <i>Ρύθμιση του βάθους εργασίας στη σελίδα 97</i> . Εάν η λυχνία LED σφάλματος εξακολουθεί να αναβοσβήνει, ο εξοπλισμός αποβρύωσης έχει μπλοκάρει. Για την αποφυγή ακούσιας εκκίνησης, γυρίστε το κλειδί ασφαλείας στη θέση "0", αφαιρέστε την μπαταρία και περιμένετε τουλάχιστον για 5 δευτερόλεπτα. Βεβαιωθείτε ότι ο εξοπλισμός αποβρύωσης κινείται ελεύθερα. Αν το πρόβλημα παραμένει, επικοινωνήστε με έναν εξουσιοδοτημένο αντιπρόσωπο σέρβις.
	5	Η ταχύτητα του μοτέρ μειώνεται υπερβολικά και το μοτέρ σταματά.	
	9	Το σύστημα ελέγχου του μοτέρ έχει ζεσταθεί πολύ.	Σταματήστε το μοτέρ και περιμένετε μέχρι να κρυώσει.
	7	Σφάλμα μπαταρίας ή έλλειψη σήματος από την μπαταρία.	Τοποθετήστε σωστά την μπαταρία στο προϊόν και ελέγξτε τον σύνδεσμο της μπαταρίας. Αν η λυχνία LED σφάλματος στην μπαταρία αναβοσβήνει, ανατρέξτε στην ενότητα <i>Μπαταρία στη σελίδα 100</i> .
Το προϊόν σταματά να λειτουργεί	6	Η μπαταρία έχει χαμηλή στάθμη φόρτισης.	Φορτίστε την μπαταρία. Ανατρέξτε στην ενότητα <i>Φόρτιση της μπαταρίας στη σελίδα 97</i> .
	Δεν αναβοσβήνει καμία λυχνία.	Βλάβη συνδέσμου μπαταρίας.	Ελέγξτε τον σύνδεσμο της μπαταρίας.
Άλλα σφάλματα	Εάν προκύψουν άλλα σφάλματα, γυρίστε το κλειδί ασφαλείας στη θέση 0, αφαιρέστε την μπαταρία και απευθυνθείτε σε έναν εγκεκριμένο αντιπρόσωπο σέρβις.		

# Μεταφορά, αποθήκευση και απόρριψη

## Εισαγωγή



**ΠΡΟΕΙΔΟΠΟΙΗΣΗ:** Για να μην εκκινήσει κατά λάθος το προϊόν κατά τη διάρκεια της μεταφοράς και της αποθήκευσης, γυρίστε το κλειδί ασφαλείας στη θέση 0, αφαιρέστε την μπαταρία και περιμένετε τουλάχιστον για 5 δευτερόλεπτα.

## Μεταφορά

- Οι απαιτήσεις της νομοθεσίας περί μεταφοράς επικίνδυνων εμπορευμάτων ισχύει για τις μπαταρίες ιόντων λιθίου που περιλαμβάνονται.
- Για τις εμπορικές μεταφορές πρέπει να τηρούνται οι ειδικές απαιτήσεις που αναγράφονται στη συσκευασία και στις ετικέτες.
- Βεβαιωθείτε ότι τηρείτε τους κανονισμούς για επικίνδυνα υλικά κατά τη μεταφορά του προϊόντος. Μπορεί να ισχύουν τοπικοί κανονισμοί.
- Για τη μεταφορά, πρέπει πάντα να αφαιρείτε την μπαταρία.
- Τοποθετήστε ταινία στους συνδέσμους της μπαταρίας και βεβαιωθείτε ότι η μπαταρία δεν μπορεί να μετακινηθεί κατά τη μεταφορά.
- Στερεώστε το προϊόν κατά τη μεταφορά.

## Αποθήκευση

- Για την αποθήκευση, πρέπει πάντα να αφαιρείτε τις μπαταρίες.
- Πρέπει να αφήνετε το προϊόν να κρυώσει προτού το αποθηκεύσετε.
- Για την αποφυγή ατυχημάτων, βεβαιωθείτε ότι η μπαταρία δεν είναι συνδεδεμένη στο προϊόν κατά την αποθήκευση.
- Αποθηκεύστε τον φορτιστή της μπαταρίας σε κλειστό χώρο χωρίς υγρασία.
- Αποθηκεύστε την μπαταρία και τον φορτιστή σε χώρο χωρίς υγρασία ή παγετό.
- Αποσυνδέστε την μπαταρία από τον φορτιστή προτού την αποθηκεύσετε.
- Μην αποθηκεύετε την μπαταρία σε χώρους όπου μπορεί να προκληθεί στατικός ηλεκτρισμός. Μην αποθηκεύετε την μπαταρία σε μεταλλικό κουτί.

- Αποθηκεύστε το προϊόν μόνο σε χώρο όπου η θερμοκρασία περιβάλλοντος είναι μεταξύ -10 °C και 40 °C.
- Αποθηκεύστε την μπαταρία σε χώρο όπου η θερμοκρασία κυμαίνεται μεταξύ 5 °C και 25 °C μακριά από την ηλιακή ακτινοβολία.
- Αποθηκεύστε τον φορτιστή μπαταρίας σε χώρο όπου η θερμοκρασία κυμαίνεται μεταξύ 5 °C και 45 °C μακριά από την ηλιακή ακτινοβολία.
- Βεβαιωθείτε ότι η μπαταρία είναι φορτισμένη κατά 30% - 50% προτού την αποθηκεύσετε για μεγάλο χρονικό διάστημα.
- Αποθηκεύστε το προϊόν, την μπαταρία και τον φορτιστή μπαταρίας σε χώρο που κλειδώνεται, ώστε να μην έχουν πρόσβαση παιδιά και μη εξουσιοδοτημένα άτομα.
- Καθαρίστε το προϊόν και βεβαιωθείτε ότι ο συλλέκτης χόρτου είναι άδειος.
- Εκτελείτε τις εργασίες συντήρησης που περιγράφονται σε αυτό το εγχειρίδιο χρήσης. Ανατρέξτε στην ενότητα *Πρόγραμμα συντήρησης στη σελίδα 99*.
- Εκτελέστε πλήρη συντήρηση πριν από μακροχρόνια αποθήκευση.

## Απόρριψη

Τα σύμβολα που υπάρχουν πάνω στο προϊόν ή στη συσκευασία του, υποδεικνύουν ότι δεν πρέπει να μεταχειριστείτε το συγκεκριμένο προϊόν ως οικιακό απόρριμμα. Αντιθέτως, πρέπει να το παραδώσετε σε κατάλληλο σταθμό ανακύκλωσης για ανάκτηση του ηλεκτρικού και ηλεκτρονικού εξοπλισμού.

Εξασφαλίζοντας τη σωστή απόρριψη του προϊόντος, συνεισφέρετε στην αντιμετώπιση πιθανών αρνητικών επιπτώσεων που θα μπορούσε να έχει στο περιβάλλον και τους ανθρώπους η λανθασμένη απόρριψη αυτού του προϊόντος. Για περισσότερες πληροφορίες σχετικά με την ανακύκλωση αυτού του προϊόντος, απευθυνθείτε στο δήμο σας, την τοπική υπηρεσία συλλογής απορριμμάτων ή το κατάστημα από το οποίο αγοράσατε το προϊόν.

(Εικ. 43)

## Τεχνικά στοιχεία

### Τεχνικά στοιχεία

S 138i	
Μοτέρ	
Τύπος μοτέρ	BLDC (χωρίς ψήκτρες) 36V

<b>S 138i</b>	
Ταχύτητα παρελκόμενου - Λειτουργία SavE, σ.α.λ.	3000
Ταχύτητα παρελκόμενου - Ονομαστική, σ.α.λ.	3200
Ισχύς μοτέρ – μέγ. kW	1,28
Ισχύς μοτέρ - Ονομαστική, kW	0,9
<b>Βάρος</b>	
Βάρος χωρίς σακούλα (χωρίς μπαταρία), kg	19,5
Βάρος με σακούλα (περιλαμβάνεται 1 x BLi30), kg	23
<b>Μπαταρία</b>	
Τύπος μπαταρίας	Σειρά μπαταριών της Husqvarna
<b>Χρόνος λειτουργίας μπαταρίας</b>	
Χρόνος λειτουργίας μπαταρίας, λεπτά, (ελεύθερη λειτουργία) με ενεργοποιημένη τη λειτουργία εξοικονόμησης SavE, με μία μπαταρία 7,5 Ah της Husqvarna (BLi30).	195
Χρόνος λειτουργίας μπαταρίας, λεπτά, (ελεύθερη λειτουργία) με ενεργοποιημένη την κανονική λειτουργία, με μία μπαταρία 7,5 Ah της Husqvarna (BLi30).	175
<b>Εκπομπές θορύβου <sup>16</sup></b>	
Στάθμη ηχητικής ισχύος, μετρούμενη τιμή σε dB (A)	89
Στάθμη ηχητικής ισχύος, εγγυημένη L <sub>WA</sub> dB (A)	91
<b>Στάθμες ήχου <sup>17</sup></b>	
Στάθμη πίεσης ήχου στο αυτί του χειριστή, σε dB (A)	75
<b>Στάθμες κραδασμών <sup>18</sup></b>	
Λαβή, m/s <sup>2</sup>	5,5
<b>Λειτουργία</b>	
Μέγ./Ελάχ. βάθος εργασίας, mm	-8/+5
Πλάτος εργασίας, cm	37,5
Δόντια λεπίδας, εξάρτημα	5973510-01
Ελατηριωτές λεπίδες, εξάρτημα	5973509-01
Χωρητικότητα συλλέκτη χόρτου, λίτρα	45

<sup>16</sup> Οι εκπομπές θορύβου στο περιβάλλον μετρούνται ως ηχητική ισχύς (L<sub>WA</sub>) σε συμμόρφωση με την Οδηγία 2000/14/ΕΚ.

<sup>17</sup> Ο συντελεστής αβεβαιότητας (K) των αναφερόμενων δεδομένων για το επίπεδο πίεσης θορύβου είναι 1,5 dB (A).

<sup>18</sup> Ο συντελεστής αβεβαιότητας (K) των αναφερόμενων δεδομένων για τη στάθμη δόνησης είναι 1,5 m/s<sup>2</sup>. Η δηλωθείσα συνολική τιμή κραδασμών μετρήθηκε σύμφωνα με το πρότυπο EN 62841-4-7, Παράρτημα Ι, και μπορεί να χρησιμοποιηθεί για τη σύγκριση μηχανημάτων και στην προκαταρκτική αξιολόγηση της έκθεσης.

Εγκεκριμένες μπαταρίες	Τύπος	Χωρητικότητα μπαταρίας, Ah	Τάση, V	Βάρος, lb/kg
BLi30	Ιόντων λιθίου	7,5	36	4,2/1,9
40-B140	Ιόντων λιθίου	4,0	36	2,6/1,2

Εγκεκριμένοι φορτιστές για προδιαγραφόμενες μπαταρίες, BLi	Τάση εισόδου, V	Συχνότητα, Hz	Ισχύς, W
40-C80	100–240	50–60	68,8
QC250	220-240	50	250



---

## Δήλωση Συμμόρφωσης

---

## Δήλωση συμμόρφωσης ΕΕ

Εμείς, η **Husqvarna AB**, SE-561 82 Huskvarna, Σουηδία,  
τηλ.: +46-36-146500, δηλώνουμε με αποκλειστική μας  
ευθύνη ότι το προϊόν:

<b>Περιγραφή</b>	Καλλιεργητής
<b>Μάρκα</b>	Husqvarna
<b>Τύπος / Μοντέλο</b>	S 138i
<b>Αναγνώριση</b>	Αριθμοί σειράς με ημερομηνία από το 2023 και έπειτα

συμμορφώνεται πλήρως με τις ακόλουθες οδηγίες και  
τους κανονισμούς της ΕΕ:

<b>Οδηγία/Κανονισμός</b>	<b>Περιγραφή</b>
2011/65/ΕΕ	"σχετικά με τον περιορισμό της χρήσης ορισμένων επικίνδυνων ουσιών σε είδη ηλεκτρικού και ηλεκτρονικού εξοπλισμού"
2006/42/ΕΚ	"σχετικά με τα μηχανήματα"
2014/30/ΕΕ	"σχετικά με την ηλεκτρομαγνητική συμβατότητα"
2000/14/ΕΚ	"σχετικά με τις εκπομπές θορύβου στο περιβάλλον"

και ότι εφαρμόζονται τα παρακάτω πρότυπα ή/και  
τεχνικές προδιαγραφές: EN 62841-1:2015/A11:2022, EN  
IEC 62841-4-7:2022/A11:2022, EN ISO 12100:2010,  
EN 55014-1:2017/A11:2020, EN 55014-2:2015, EN IEC  
63000:2018.

Για πληροφορίες σχετικά με τις εκπομπές θορύβου,  
ανατρέξτε στην ενότητα *Τεχνικά στοιχεία στη σελίδα 102*.

Husqvarna, 2023-12-30



Claes Losdal

Διευθυντής ανάπτυξης/Προϊόντα κήπου

Husqvarna AB

Υπεύθυνος για την τεχνική τεκμηρίωση



---

# Contenido

---

Introducción.....	107	Resolución de problemas.....	118
Seguridad.....	108	Transporte, almacenamiento y eliminación.....	119
Montaje.....	114	Datos técnicos.....	120
Funcionamiento.....	114	Declaración de conformidad.....	122
Mantenimiento.....	116		

---

## Introducción

---

### Descripción del producto

El producto es un escarificador eléctrico conducido a pie. El producto elimina la paja del césped y remueve la tierra para permitir que el aire y el agua lleguen al césped. La paja es recogida en un recogedor de césped o se dispersa sobre el césped. El producto cuenta con 2 tipos de equipo escarificador.

### Equipo escarificador

Consulte la sección *Sustitución del equipo escarificador en la página 118* para obtener más información sobre cómo cambiar el equipo escarificador.

### Cuchillas

Las cuchillas retiran la cubierta vegetal muerta y apelmazada, y cortan las raíces del césped en vertical.

### Descripción del producto

(Fig. 1)

1. Palanca del freno del motor
2. Manillar superior
3. Panel de control
4. Inhibidor de arranque
5. Manillar inferior
6. Recogedor de césped
7. Cubierta trasera
8. Cubierta del escarificador
9. Tapa de la batería
10. Mando de ajuste de la profundidad de trabajo
11. Llave de seguridad
12. Indicador LED de encendido/apagado
13. Botón de encendido/apagado
14. Botón SavE
15. Indicador LED del modo SavE
16. Indicador de carga de la batería y botón de la batería
17. Púas
18. Batería (accesorio)
19. Cargador de batería (accesorio)
20. Llave Allen
21. Manual de usuario

Utilice las cuchillas en pendientes, bancales y suelos que tengan una gran proporción de arcilla. Las cuchillas permiten que el agua entre en el césped y evitan que se estanque en la superficie.

(Fig. 17)

### Dientes flexibles

Los dientes flexibles retiran con cuidado la hierba muerta y la paja del césped sin dañar las raíces del césped.

(Fig. 18)

### Uso previsto

Utilice el producto para eliminar la paja y el musgo y para descompactar la tierra en jardines privados. No utilice el producto para otras tareas.

### Símbolos que aparecen en el producto

(Fig. 2)      ADVERTENCIA

(Fig. 3)      Lea las instrucciones.

(Fig. 4)      ADVERTENCIA: Tenga cuidado con los objetos que salen despedidos.

(Fig. 5)      Mantenga alejados a los transeúntes.

(Fig. 6)      ADVERTENCIA: Mantenga los pies y las manos alejados de las cuchillas y las púas.

(Fig. 7)      Desconecte la batería antes de realizar cualquier trabajo de mantenimiento.

(Fig. 8)      No exponer a la lluvia.

(Fig. 9)      Este producto está protegido frente a las salpicaduras de agua.

(Fig. 10)      Este producto cumple con las directivas CE vigentes.

(Fig. 11) Este producto cumple con las directivas del Reino Unido vigentes.

(Fig. 12) Etiqueta de emisiones sonoras al medioambiente conforme con las directivas y normativas europeas y del Reino Unido, y con la regulación de 2017 sobre de protección del medioambiente (control de ruidos) (Protection of the Environment Operations - Noise Control) de la legislación de Nueva Gales del Sur. El nivel de potencia acústica garantizado del producto se especifica en el apartado *Datos técnicos en la página 120* y en la etiqueta.

(Fig. 15) Recicle el producto en un centro de reciclaje para equipos eléctricos y electrónicos. (Aplicable solo para Europa)

(Fig. 16) Procedimiento de arranque: pulse el botón de encendido/apagado, suelte el bloqueo de arranque y presione la palanca del freno del motor hacia abajo.

(Fig. 13) Suelte la palanca del freno del motor para detenerse.

(Fig. 14) Código escaneable.

---

**Nota:** Los demás símbolos y etiquetas que aparecen en el producto corresponden a requisitos de homologación específicos en algunos mercados.

---

## Daños en el producto

No nos hacemos responsables de los daños que pueda sufrir el producto si:

- El producto se ha reparado incorrectamente.
- El producto se ha reparado con piezas que no eran del fabricante o no autorizadas por el fabricante.
- El producto tiene un accesorio que no es del fabricante o no está autorizado por este.
- El producto no se ha reparado en un centro de servicio autorizado o por un organismo homologado.

---

# Seguridad

---

## Definiciones de seguridad

Las advertencias, precauciones y notas se utilizan para destacar información especialmente importante del manual.



**ADVERTENCIA:** Indica un riesgo de lesiones o incluso de muerte del usuario o de las personas cercanas si no se respetan las instrucciones del manual.



**PRECAUCIÓN:** Indica un riesgo de daños en el producto, otros materiales o el área adyacente si no se respetan las instrucciones del manual.

**Nota:** Se usa para proporcionar más información necesaria en una situación determinada.

## Instrucciones generales de seguridad del producto



**ADVERTENCIA:** Lea todas las advertencias de seguridad, instrucciones, ilustraciones y especificaciones que se

**incluyen con este producto.** Si no se siguen las instrucciones que aparecen a continuación, puede producirse una descarga eléctrica, un incendio o lesiones graves.

**Conserve todas las advertencias e instrucciones para su consulta.** El término «producto» empleado en las advertencias hace referencia tanto al producto que funciona con conexión eléctrica a la red (con cable) como al que funciona con batería (inalámbrico).

## Seguridad en el área de trabajo

- **Mantenga el área de trabajo limpia y bien iluminada.** Las zonas abarrotadas de cosas u oscuras favorecen los accidentes.
- **No utilice el producto en ambientes explosivos como aquellos en los que hay líquidos, gases o polvo inflamables.** El producto produce chispas que pueden inflamar el polvo o los vapores.
- **Mantenga alejados a los niños y a otras personas mientras utiliza el producto.** Las distracciones pueden hacer que pierda el control de esta.

## Seguridad personal

- **Esté siempre atento, fíjese en lo que está haciendo y utilice el sentido común cuando maneje el**

**producto. No utilice el producto si está cansado o bajo los efectos de estupefacientes, alcohol o medicamentos.** Un momento de descuido puede causar lesiones graves.

- **Utilice el equipo de protección personal. Protéjase siempre los ojos.** El equipo de protección, como la mascarilla antipolvo, los zapatos de seguridad antideslizantes, el casco o los protectores auditivos, utilizados en función de las condiciones de trabajo, reducirá el riesgo de lesiones.
- **Evite el encendido accidental de la herramienta. Asegúrese de que el interruptor está en la posición de apagado antes de conectar el producto a la fuente de alimentación o la batería, cogerlo o transportarlo.** Transportar el producto con el dedo puesto sobre el interruptor o conectar la alimentación con el interruptor en la posición de encendido puede provocar accidentes.
- **Quite todas las clavijas de ajuste o llaves de tuercas antes de encender el producto.** Una llave de tuercas o clavija de ajuste que se ha dejado colocada en una pieza giratoria del producto puede causar lesiones.
- **No se estire demasiado. Mantenga una posición correcta y el equilibrio en todo momento.** Así podrá controlar mejor el producto en situaciones imprevistas.
- **Utilice la ropa adecuada. No utilice nunca ropa amplia ni joyas. Mantenga el pelo y la ropa alejados de las piezas móviles.** La ropa holgada, las joyas o el pelo largo pueden quedar atrapados en las piezas móviles.
- **Si se suministran equipos de aspiración o captación de polvo, asegúrese de que estén conectados y se utilicen correctamente.** El uso de estos equipos puede reducir los riesgos derivados del polvo.
- **Evite que la familiaridad adquirida con el uso frecuente del producto le lleve a confiarse e ignorar las medidas de seguridad del mismo.** Una acción negligente puede causar lesiones graves en una fracción de segundo.

## Uso y cuidado del producto

- **No fuerce el producto. Utilice el producto adecuado para el trabajo que deba realizar.** Con el producto apropiado hará el trabajo mejor y con mayor seguridad a la potencia para la que fue diseñado.
- **No utilice el producto si el interruptor no funciona.** Los productos que no se puedan controlar con el interruptor son peligrosos y deben repararse.
- **Desconecte el enchufe de la fuente de alimentación o quite la batería del producto, si se puede, antes de realizar cualquier ajuste, cambiar accesorios o guardar el producto.** Las medidas de seguridad preventivas reducen el riesgo de poner en marcha el producto de forma accidental.
- **Si no utiliza el producto, guárdelo fuera del alcance de los niños y no permita que personas no familiarizadas con su uso o con estas instrucciones**

**lo manejen.** El producto puede ser peligroso en manos de usuarios no cualificados.

- **Efectúe el mantenimiento del producto y de los accesorios. Compruebe que no haya partes móviles mal alineadas o trabadas, piezas rotas o cualquier otra circunstancia que pueda afectar al funcionamiento del producto. Si detecta daños, lleve el producto a reparar antes de usarlo.** Muchos accidentes se deben al uso de productos que carecen de un mantenimiento adecuado.
- **Mantenga las herramientas de corte afiladas y limpias.** Las herramientas de corte con aristas afiladas y un mantenimiento adecuado tienen menos probabilidades de trabarse y son más fáciles de controlar.
- **Utilice el producto, accesorios, útiles, etc., según se indica en estas instrucciones, teniendo en cuenta las condiciones de trabajo y la tarea que debe realizar.** El uso del producto para trabajos distintos a aquellos para los que fue diseñado podría dar lugar a situaciones peligrosas.
- **Mantenga los mangos y superficies de agarre secos, limpios y sin aceite ni grasa.** Las superficies de agarre y los mangos resbaladizos no permiten manejar y controlar de forma segura el producto ante cualquier imprevisto.

## Uso y cuidado de la herramienta con batería

- **Efectúe las recargas únicamente con el cargador especificado por el fabricante.** Un cargador apto para un tipo de batería puede comportar riesgo de incendio al utilizarse con otra batería distinta.
- **Utilice los productos exclusivamente con su batería específica.** El uso de otra batería puede comportar riesgo de lesiones e incendio.
- **Cuando no utilice la batería, manténgala alejada de objetos metálicos que puedan conectar un terminal a otro, como clips, monedas, llaves, clavos, tornillos u otros objetos metálicos pequeños.** Un cortocircuito en los terminales de la batería puede causar quemaduras o un incendio.
- **En condiciones extremas, el líquido puede salir expulsado de la batería; evite cualquier contacto. Si se produjera un contacto accidentalmente, enjuáguese con agua. Además, si el líquido entra en contacto con los ojos, busque asistencia médica.** El líquido expulsado de la batería puede causar irritaciones o quemaduras.
- **No utilice una batería o herramienta defectuosa, dañada o modificada.** Las baterías dañadas o modificadas pueden comportarse de forma impredecible y provocar incendios, explosiones o riesgo de lesiones.
- **No exponga la batería o la herramienta al fuego ni a temperaturas excesivas.** La exposición al fuego o a temperaturas superiores a 130 °C/265 °F puede causar una explosión.
- **Siga todas las instrucciones de carga y no cargue la batería o herramienta fuera del rango de temperatura especificado en las instrucciones.** La

carga incorrecta o a temperaturas fuera del intervalo especificado puede dañar la batería y aumentar el riesgo de incendio.

## Servicio

- **Solo técnicos cualificados que utilicen piezas de repuesto originales deben llevar a cabo las tareas de mantenimiento del producto.** De este modo se garantiza la seguridad del producto.
- **No revise baterías dañadas.** La revisión de las baterías solo debe realizarla el fabricante o un proveedor de servicio autorizado.

## Advertencias de seguridad del producto

- **No utilice el producto con condiciones meteorológicas adversas, especialmente si hay riesgo de tormenta eléctrica.** Así disminuirá el riesgo de recibir un rayo.
- **Inspeccione a fondo la zona donde se va a utilizar el producto por si hubiera animales.** El producto puede lesionar a los animales durante su funcionamiento.
- **Inspeccione a fondo la zona donde va a utilizar el producto y retire todas las piedras, palos, alambres, huesos y cualquier otro objeto extraño.** Los objetos que salen despedidos pueden provocar lesiones.
- **Antes de utilizar el producto, inspecciónelo visualmente para comprobar que las cuchillas o púas y el conjunto donde van montadas no estén desgastados ni dañados.** Las piezas dañadas o desgastadas aumentan el riesgo de lesiones.
- **Compruebe el recogedor de césped con frecuencia para ver si presenta desgaste o deterioro.** Un recogedor de césped desgastado o dañado puede aumentar el riesgo de lesiones.
- **Mantenga las protecciones colocadas en su lugar. Las protecciones deben estar en buen estado y montadas correctamente.** Una protección suelta, dañada o que no funcione correctamente puede provocar lesiones.
- **Mantenga las entradas de refrigeración limpias de todo tipo de suciedad.** Las entradas de aire obstruidas y los residuos pueden provocar el sobrecalentamiento de la máquina o riesgo de incendio.
- **Durante el funcionamiento del producto, use siempre calzado antideslizante y de protección. No utilice el producto descalzo ni con sandalias abiertas.** Así reducirá la posibilidad de sufrir lesiones en los pies por contacto con las cuchillas o púas en movimiento.
- **Cuando utilice la máquina, use siempre pantalones largos.** La piel expuesta aumenta la probabilidad de sufrir lesiones por objetos que pueden salir despedidos.
- **No utilice el producto en hierba húmeda. Camine, en ningún caso corra.** Así reducirá el riesgo de resbalones y caídas, lo que puede provocar lesiones.
- **No opere el producto en pendientes excesivamente pronunciadas.** Así reducirá el riesgo de perder el

control, resbalar o caer, lo que puede provocar lesiones.

- **Cuando trabaje en pendientes, asegúrese siempre de tener los pies firmemente asentados, trabaje siempre en perpendicular a la superficie de las pendientes, nunca hacia arriba o hacia abajo, y extreme la precaución al cambiar de dirección.** Así reducirá el riesgo de perder el control, resbalar o caer, lo que puede provocar lesiones.
- **Sea extremadamente prudente cuando dé marcha atrás o tire del producto hacia usted. Sea siempre consciente del espacio que le rodea.** Así reducirá el riesgo de tropezar durante el uso de la máquina.
- **Sujete el producto solo por las superficies de agarre aisladas, ya que las cuchillas o púas podrían entrar en contacto con cables ocultos o con su propio cable.** Si las cuchillas o púas entran en contacto con un cable con tensión, es posible que las piezas metálicas expuestas de la máquina conduzcan la corriente, lo que podría dar lugar a que el usuario sufra una descarga eléctrica.
- **No toque las cuchillas o púas ni otras piezas peligrosas mientras estén aún en movimiento.** Así reducirá el riesgo de sufrir lesiones por contacto con piezas móviles.
- **Antes de retirar material atascado o limpiar el producto, asegúrese de que todos los interruptores de alimentación estén apagados y de que la batería esté desconectada.** El funcionamiento imprevisto del producto puede provocar lesiones graves.

## Instrucciones generales de seguridad



**ADVERTENCIA:** Lea las siguientes instrucciones de advertencia antes de utilizar el producto.

- Este producto es una herramienta peligrosa si se usa incorrectamente o si no se tiene cuidado. Puede causar lesiones graves o incluso la muerte si no siguen las instrucciones de seguridad.
- Este producto genera un campo electromagnético durante el funcionamiento. Este campo magnético puede, en determinadas circunstancias, interferir con implantes médicos activos o pasivos. Para reducir el riesgo de que se den condiciones que provocarían lesiones graves o letales, las personas que utilizan implantes médicos deben consultar con su médico y con el fabricante del implante antes de poner en marcha este producto.
- Proceda siempre con cuidado y utilice el sentido común. Si no está seguro de cómo manejar el producto en una situación en particular, pare y consulte con su distribuidor Husqvarna antes de continuar.
- Tenga en cuenta que el usuario será el responsable de los accidentes que involucren a otras personas o a su propiedad.
- Mantenga el producto limpio. Asegúrese de que puede leer claramente las etiquetas.

- No permita que niños ni adultos que no estén familiarizados con estas instrucciones utilicen el aparato. La legislación local puede restringir la edad del usuario.
- Si una persona con discapacidad física o mental usa el producto, asegúrese de supervisarla en todo momento. Debe haber presente en todo momento una persona mayor de edad responsable.
- No utilice el producto si está cansado, enfermo o si se encuentra bajo los efectos de alcohol, drogas o medicamentos. Esto tiene un efecto negativo en su visión, capacidad de reacción, coordinación y capacidad de decisión.
- No utilice el producto si está dañado o no funciona correctamente.
- No modifique este producto ni lo utilice si puede haber sido modificado por otras personas.
- Ponga el producto en una superficie plana y estable, y arránquelo. Asegúrese de que las cuchillas o púas no entren en contacto con el suelo u otros objetos.
- Manténgase siempre detrás del producto durante su uso.
- Mientras utilice el producto, mantenga todas las ruedas apoyadas en el suelo y las dos manos en el manillar. Mantenga alejados las manos y los pies de las cuchillas o púas mientras giran.
- No incline el producto cuando arranque el motor ni durante su uso.
- Tenga cuidado cuando tire del producto hacia atrás.
- Nunca levante el producto con el motor en marcha. Si tiene que levantar el producto, en primer lugar detenga el motor, gire la llave de seguridad a la posición 0 y retire la batería.
- No camine hacia atrás mientras utiliza el producto.
- Pare el motor cuando sea necesario inclinar el producto para transportarlo o para llevarlo por zonas sin hierba, como caminos de grava, piedra o asfalto.
- No corra con el producto con el motor en marcha. Camine siempre mientras utiliza el producto.
- Detenga el motor antes de cambiar la profundidad de trabajo. Nunca realice ajustes con el motor en marcha.
- No deje el producto desatendido con el motor en marcha. Detenga el motor, gire la llave de seguridad a la posición 0 y retire la batería. Asegúrese de que el equipo escarificador no gira.
- Las vibraciones del producto durante el funcionamiento pueden ser diferentes del valor de vibraciones declarado en *Datos técnicos en la página 120*. La diferencia se debe a las variaciones en la forma en la que se utiliza el producto. Si utiliza el producto con frecuencia o durante largos periodos de tiempo, haga descansos con frecuencia para evitar lesiones por vibraciones.

## Seguridad en el trabajo



**ADVERTENCIA:** Lea las siguientes instrucciones de advertencia antes de utilizar el producto.

- Utilice este producto para eliminar la cubierta vegetal muerta y apelmazada, y el musgo, solo en céspedes de hierba. No está permitido utilizar el producto para otras tareas.
- Utilice el equipo de protección personal. Consulte *Equipo de protección personal en la página 111*.
- Asegúrese de que sabe cómo detener el motor rápidamente en caso de emergencia.
- No utilice el producto bajo la lluvia ni en ambientes húmedos. Esto puede incrementar el riesgo de descarga eléctrica.
- No utilice el producto a menos que las cuchillas o púas y todas las cubiertas estén fijadas correctamente. Las cuchillas o púas fijadas incorrectamente pueden soltarse y provocar daños personales.
- Asegúrese de que las cuchillas o púas no golpeen ningún objeto, como piedras o raíces. Esto puede causar daños en las cuchillas o púas y doblar el eje del motor. Un eje doblado causa vibraciones excesivas y un riesgo muy alto de que las cuchillas o púas se suelten.
- Si las cuchillas o púas chocan con algún objeto o si se producen vibraciones, pare el producto inmediatamente. Detenga el motor, gire la llave de seguridad a la posición 0 y retire la batería. Espere hasta que las piezas móviles se detengan. Examine el producto para comprobar si ha sufrido daños. Apriete las piezas sueltas. Repare los daños y cambie las piezas dañadas. Lleve el producto a un taller de servicio homologado para que hagan las reparaciones.
- No acople la palanca del freno del motor permanentemente al manillar cuando el motor esté encendido.
- El equipo de protección personal no elimina completamente el riesgo de lesiones, pero reduce la gravedad de las lesiones en caso de accidente. Deje que el distribuidor le ayude a seleccionar el equipo adecuado.
- Utilice botas o zapatos de trabajo antideslizantes. No utilice calzado abierto ni vaya descalzo.
- Utilice pantalones largos gruesos.
- Utilice guantes protectores cuando sea necesario, por ejemplo, para el montaje, inspección o limpieza del equipo de corte.
- Recomendamos utilizar protectores auriculares.

## Instrucciones de seguridad para el funcionamiento

### Equipo de protección personal



**ADVERTENCIA:** Lea las siguientes instrucciones de advertencia antes de utilizar el producto.

## Dispositivos de seguridad en el producto



**ADVERTENCIA:** Lea las siguientes instrucciones de advertencia antes de utilizar el producto.

- No utilice ningún producto con dispositivos de seguridad dañados o que no funcionen correctamente.
- No retire ni modifique los dispositivos de seguridad.
- Realice una comprobación de los dispositivos de seguridad con frecuencia. Si los dispositivos de seguridad están dañados o no funcionan correctamente, póngase en contacto con su taller de servicio Husqvarna.

### Comprobación de las cubiertas

La cubierta del equipo escarificador disminuye las vibraciones en el producto y el riesgo de lesiones provocadas por el equipo escarificador.

- Examine la cubierta lateral del equipo escarificador para asegurarse de que no presenta daños como, por ejemplo, grietas.
- Examine la cubierta trasera del equipo escarificador para asegurarse de que no presenta daños como, por ejemplo, grietas.

### Palanca del freno del motor

La palanca del freno del motor detiene el motor. Cuando se suelta la palanca del freno del motor, el motor se para.

Para realizar una comprobación del freno del motor, arranque el motor y luego suelte la palanca del freno. Si el motor no se detiene en 3 segundos, lleve el producto a un taller de servicio Husqvarna autorizado para realizar el ajuste del freno del motor.

(Fig. 19)

### Llave de seguridad

La llave de seguridad se encuentra debajo de la tapa de la batería. La llave de seguridad se utiliza para conectar la batería que suministra electricidad al motor.

- Arranque y detenga el motor para realizar una comprobación de la llave de seguridad.
- Si la llave de seguridad funciona correctamente, el motor solo arrancará cuando se gire la llave a la posición 1.

(Fig. 20)

### Examen del inhibidor de arranque

Compruebe el inhibidor de arranque para verificar que evita el funcionamiento del motor.

1. Oprima la palanca del freno del motor contra el manillar. El inhibidor de arranque impide el movimiento.

2. Empuje el inhibidor de arranque hacia fuera. (Fig. 21)
3. Suelte el inhibidor de arranque y asegúrese de que regresa a su posición inicial.

### Seguridad de la batería



**ADVERTENCIA:** Lea las siguientes instrucciones de advertencia antes de utilizar el producto.

- Utilice solamente baterías recargables Husqvarna como fuente de alimentación para otros productos Husqvarna relacionados. Para evitar lesiones, no utilice la batería como fuente de alimentación de otros dispositivos.
- No utilice baterías no recargables.
- Riesgo de descarga eléctrica. Evite que los terminales de la batería entren en contacto con llaves, monedas, tornillos u otros objetos metálicos. Esto puede provocar un cortocircuito en la batería.
- No coloque objetos en las ranuras de ventilación de la batería.
- Mantenga la batería lejos de la luz directa del sol, de fuentes de calor o de las llamas. La batería puede explotar y provocar quemaduras o quemaduras químicas.
- Mantenga la batería resguardada de la lluvia y la humedad.
- Mantenga la batería lejos de microondas y fuentes de alta presión.
- No intente desmontar o romper la batería.
- Si se produce una fuga en la batería, no permita que el líquido entre en contacto con el cuerpo ni con los ojos. Si toca el líquido, limpie el área con abundante agua y busque asistencia médica.
- Utilice la batería del producto únicamente cuando la temperatura ambiente se encuentre entre los 5 °C y los 40 °C.
- Utilice el cargador de la batería únicamente cuando la temperatura ambiente se encuentre entre los 5 °C y los 40 °C.
- La batería no se cargará si su temperatura es superior a 50 °C.
- No limpie la batería ni el cargador con agua. Consulte *Batería en la página 118*.
- No utilice una batería dañada.
- Guarde la batería alejada de objetos metálicos, como clavos, monedas o joyas.

### Seguridad del cargador de batería



**ADVERTENCIA:** Lea las siguientes instrucciones de advertencia antes de utilizar el producto.

- Utilice solamente cargadores de baterías QC para cargar las baterías de repuesto Husqvarna.



- Riesgo de descarga eléctrica o cortocircuito. No coloque objetos en las ranuras de ventilación del cargador. No intente desmontar el cargador de batería. No conecte los terminales del cargador a objetos metálicos. Utilice una toma de corriente homologada.
- Este producto genera un campo electromagnético durante el funcionamiento. Este campo magnético puede, en determinadas circunstancias, interferir con implantes médicos activos o pasivos. Para reducir el riesgo de que se den condiciones que provocarían lesiones graves o letales, las personas que utilizan implantes médicos deben consultar con su médico y con el fabricante del implante antes de utilizar este producto.
- Compruebe con regularidad que el cable de alimentación del cargador de batería no esté dañado ni agrietado.
- No levante el cargador de batería tirando del cable de alimentación. Para desconectar el cargador de batería de la toma de corriente, tire del enchufe. No tire del cable de alimentación.
- Mantenga el cable de alimentación y los cables alargadores apartados de agua, aceite y cantos afilados. Proceda con cuidado para evitar que el cable se enganche en puertas, vallas o similares. De lo contrario, el cargador podría transmitir corriente.
- No limpie el cargador de la batería con agua.
- Los niños mayores de ocho años y las personas con facultades físicas, psíquicas o sensoriales disminuidas, o sin la experiencia y los conocimientos necesarios pueden usar el cargador de batería si se les supervisa o instruye en lo que respecta al uso seguro del aparato y comprenden los peligros existentes. Los niños no deben jugar con el cargador de batería. Los niños no deberán llevar a cabo la limpieza ni operaciones de mantenimiento sin supervisión.
- No intente cargar baterías no recargables en el cargador de batería.
- No utilice el cargador de batería cerca de materiales inflamables o corrosivos. No tape el cargador de batería. Desenchufe el cargador de batería si produce humo o se incendia.
- No utilice un cargador de batería defectuoso o dañado.
- Cargue la batería solo en interiores, en una estancia con buena ventilación y lejos de la luz solar directa. No cargue la batería en un entorno húmedo.
- Para evitar el arranque accidental durante el mantenimiento, gire la llave de seguridad a la posición 0 y retire la batería. Espere al menos 5 segundos antes de empezar los trabajos de mantenimiento.
- Realice los trabajos de mantenimiento correctamente para aumentar la vida útil del producto y reducir el riesgo de accidentes. Deje que un taller de servicio homologado haga las reparaciones profesionales. Póngase en contacto con su taller de servicio más cercano para obtener más información.
- Realice únicamente las tareas de mantenimiento que figuran en este manual de usuario. Los trabajos de mayor envergadura debe realizarlos un taller de servicio autorizado.
- No retire los dispositivos de seguridad ni realice cambios en ellos para prevenir lesiones.
- Utilice guantes resistentes al utilizar el equipo escafricador. El equipo escafricador está muy afilado y se pueden producir cortes con mucha facilidad.
- Mantenga las cuchillas o púas del equipo escafricador afiladas y limpias para obtener los mejores resultados con la máxima seguridad.
- Diríjase a su taller de servicio para que examinen el producto regularmente y para que realicen los ajustes y las reparaciones necesarios.
- Sustituya las piezas dañadas, desgastadas o rotas. Utilice siempre piezas de repuesto originales del fabricante. Si utiliza otras piezas de repuesto podría dañar el producto y aumentará el riesgo de accidentes.
- Respete las instrucciones correspondientes al cambio de accesorios. Utilice únicamente los accesorios del fabricante.
- Cuando no esté en funcionamiento, mantenga el producto, la batería y cargador de batería aparte en un lugar seco, interior y bajo llave. Asegúrese de que los niños y personas que no cuenten con autorización no puedan acceder al producto, la batería o el cargador de batería.

## Instrucciones de seguridad para el mantenimiento



**ADVERTENCIA:** Lea las siguientes instrucciones de advertencia antes de utilizar el producto.

---

# Montaje

---

## Introducción



**ADVERTENCIA:** Antes de montar este producto, lea el capítulo sobre seguridad.



**ADVERTENCIA:** Para evitar un arranque accidental durante el montaje, gire la llave de seguridad hasta la posición 0, retire la batería y espere al menos 5 segundos.

## Para montar el manillar

1. Afloje las ruedecillas inferiores.
2. Mueva los mandos hacia el extremo inferior de las ranuras en el lado izquierdo y derecho del producto. (Fig. 22)
3. Ajuste la altura del manillar en una de las 2 posiciones disponibles.
4. Mueva los mandos hacia arriba, en dirección al manillar, hasta que finalice su recorrido y escuche un clic. (Fig. 23)

5. Apriete las ruedecillas a fondo.

## Para montar el recogedor de césped

1. Coloque el bastidor del recogedor de césped en la bolsa de hierba con la parte rígida de la bolsa en la parte inferior. Mantenga el asa del bastidor en la parte superior de la bolsa para césped. (Fig. 24)
2. Coloque la parte inferior del bastidor del recogedor de césped en la ranura de la parte inferior del recogedor de césped.
3. Fije la bolsa para césped al bastidor del recogedor de césped con los clips. (Fig. 25)
4. Levante la cubierta trasera.
5. Mueva el recogedor de césped a la posición correcta. (Fig. 26)
6. Encaje el recogedor de césped en el borde superior del chasis. Asegúrese de que la cubierta trasera se selle contra el recogedor de césped para evitar fugas. (Fig. 27)

---

# Funcionamiento

---

## Introducción



**ADVERTENCIA:** Antes de utilizar el producto, debe leer y entender el capítulo sobre seguridad.

## Husqvarna Connect

Husqvarna Connect es una aplicación gratuita para su dispositivo móvil. La aplicación Husqvarna Connect proporciona más funciones para su producto Husqvarna:

- Información ampliada sobre el producto.
- Información y asistencia sobre piezas y mantenimiento de productos.

## Para empezar a utilizar Husqvarna Connect

1. Descargue la aplicación Husqvarna Connect en su dispositivo móvil.
2. Registre una cuenta en la aplicación Husqvarna Connect.
3. Siga las instrucciones de la aplicación Husqvarna Connect para conectarse y registrar el producto.

## Ajustar la profundidad de trabajo



**ADVERTENCIA:** No ajuste la profundidad de trabajo mientras utiliza el producto.

1. Para aumentar la profundidad de trabajo, presione y gire hacia la izquierda la perilla de ajuste de la profundidad de trabajo.
2. Para reducir la profundidad de trabajo, presione y gire la perilla de ajuste de la profundidad de trabajo. (Fig. 28)

## Batería



**ADVERTENCIA:** Antes de usar la batería, debe leer y entender el capítulo sobre seguridad. También debe leer y comprender el manual de usuario de la batería y el cargador de la batería.

Mantenga la batería y el cargador de la batería en lugares con una temperatura ambiente correcta.

	Temperatura ambiente
Funcionamiento de la batería	5 °C - 40 °C
Carga de la batería	5 °C - 40 °C

## Estado de la batería

El display muestra la capacidad restante de la batería y si hay algún problema con esta. Pulse el botón del indicador de la batería para obtener información sobre su estado de carga. El símbolo de advertencia de la batería se enciende cuando se produce un error. Consulte *Batería en la página 118*.

(Fig. 29)

Indicadores LED	Estado de la batería
Todos los LED están encendidos	Carga completa (76-100 %)
LED 1, LED 2 y LED 3 encendidos	La batería tiene una carga del 51 %-75 %
LED 1 y LED 2 encendidos	La batería tiene una carga del 26 %-50 %
LED 1 encendido	La batería tiene una carga del 6 %-25 %.
El LED 1 parpadea	La batería tiene una carga del 0 %-5 %.

## Para cargar la batería

Cargue la batería antes de utilizarla por primera vez. La batería solo tiene un 30 % de carga cuando se entrega al cliente.

**Nota:** El cargador de la batería debe estar conectado a la tensión y la frecuencia indicadas en la placa de características.

La batería no se cargará si su temperatura es superior a 50 °C. El cargador de batería disminuye la temperatura de la batería antes de empezar a cargarse.

1. Conecte un extremo del cable de alimentación del cargador de batería a la toma de este último.
2. Conecte el otro extremo del cable de alimentación del cargador de batería a un enchufe de corriente con toma de tierra. El LED del cargador de batería parpadea de color verde una vez. (Fig. 30)
3. Coloque la batería en el cargador. La luz verde del cargador se enciende cuando la batería está conectada correctamente al cargador de batería. (Fig. 31)
4. Cuando todos los LED de la batería se hayan encendido, la batería estará totalmente cargada. Cargue la batería durante un máximo de 24 horas.

5. Para desconectar el cargador de la toma de corriente, tire del enchufe, no del cable de alimentación.
6. Retire la batería del cargador.

## Arranque del producto.

1. Coloque una batería cargada en el compartimento número 1 por debajo de la tapa de la batería. Para prolongar la autonomía, coloque una segunda batería cargada en el compartimento número 2.
2. Gire la llave de seguridad a 1. (Fig. 32)
3. Manténgase detrás del producto.
4. Pulse el botón de encendido/apagado (A) en el panel de control; el LED verde (B) se enciende. (Fig. 33)
5. Afloje el inhibidor de arranque. (Fig. 34)
6. Empuje la palanca del freno del motor hacia el manillar. (Fig. 35)

## Para usar la función SavE

El producto cuenta con una función de ahorro de batería (SavE) que le permite funcionar durante más tiempo.

1. Pulse el botón SavE (A) para iniciar la función. El LED verde se enciende. (Fig. 36)
2. Pulse de nuevo el botón SavE para detener la función. El LED verde (B) se apaga.

## Función de carga alta

Cuando el producto corta hierba larga o húmeda, el motor aumenta automáticamente las revoluciones. El motor regresa al modo normal cuando no se necesitan cargas altas.

## Parada del motor

Durante el funcionamiento, la cuchilla y el motor pueden detenerse temporalmente debido a obstáculos como la acumulación de hierba bajo la cubierta del equipo de corte. Si esto ocurre y mantiene la palanca del freno del motor presionada, el producto arrancará de nuevo automáticamente. Si el producto no vuelve a arrancar en 5-10 segundos, puede que sea necesario limpiar la cubierta del equipo de corte. Consulte *Limpieza del producto en la página 117*.



**ADVERTENCIA:** Si el motor se detiene, el producto intentará arrancar automáticamente durante 5-10 segundos. Espere al menos 15 segundos antes de comprobar la cubierta del equipo de corte.



**ADVERTENCIA:** Antes de inspeccionar la cubierta del equipo de corte, suelte la palanca del freno del motor, gire la llave de seguridad a la posición 0, retire la batería y espere al menos 5 segundos. Si al intentar retirar los obstáculos, el producto se

pusiera en marcha accidentalmente, podría sufrir lesiones.

---

## Parada del producto

El producto se detiene automáticamente si no se utiliza durante 10 minutos. No deje el producto desatendido con el motor en marcha. Detenga el motor, gire la llave de seguridad a la posición 0 y retire la batería. Asegúrese de que el equipo escarificador no gire.

1. Suelte la palanca del freno del motor para detener el motor. (Fig. 37)

2. Pulse el botón de encendido/apagado (A) en el panel de control; el LED verde (B) se apaga. (Fig. 33)
3. Abra la tapa de la batería y gire la llave de seguridad a la posición 0. (Fig. 38)
4. Para extraer la batería, presione simultáneamente los 2 botones de liberación y tire de ella hacia fuera. (Fig. 39)
5. Cargue la batería si el nivel de carga es bajo. Para obtener más información, consulte *Para cargar la batería en la página 115*.

---

# Mantenimiento

---

## Introducción



**ADVERTENCIA:** Antes de realizar cualquier trabajo de mantenimiento, debe leer y entender el capítulo sobre seguridad.

Para todos los trabajos de mantenimiento y reparación del producto, es necesario realizar una formación especial. Husqvarna garantiza que los trabajos de mantenimiento y reparación sean realizados por profesionales. Si su distribuidor no es un taller de servicio, pídale información sobre el taller de servicio más cercano.

Para obtener información detallada, consulte [www.husqvarna.com](http://www.husqvarna.com).

## Programa de mantenimiento

Los intervalos de mantenimiento se calculan a partir del uso diario del producto. Los intervalos cambian si el producto no se utiliza a diario.

Para las tareas de mantenimiento, identificadas con \*, consulte *Dispositivos de seguridad en el producto en la página 112*.

S 138i	En cada uso	Mensualmente	Cada temporada
Realice una inspección general.	X		
Limpie el producto.	X		
Examine el equipo escarificador.	X		
Asegúrese de que los dispositivos de seguridad del producto no estén dañados.*	X		
Examine las cubiertas.*	X		
Compruebe la palanca del freno del motor.*	X		
Compruebe el inhibidor de arranque.*	X		
Asegúrese de que el botón de encendido/apagado funcione correctamente y que no esté dañado.	X		
Examine la batería en busca de posibles daños.	X		
Compruebe la carga de la batería.	X		
Asegúrese de que los botones de liberación de la batería funcionan correctamente y que esta se acopla al producto.	X		
Examine el cargador de batería en busca de posibles daños y asegúrese de que funciona correctamente.		X	
Examine las conexiones entre la batería y el producto. Examine también la conexión entre la batería y el cargador de batería.			X

## Para realizar una inspección general

- Asegúrese de que las tuercas y los tornillos del producto estén bien apretados.
- Asegúrese de que los cables del producto no están en una posición en la que puedan resultar dañados.

## Limpieza del producto

- Limpie las piezas de plástico con un paño limpio y seco.
- No utilice agua para limpiar el producto. El agua puede entrar en la batería o el motor y causar un cortocircuito o daños en el producto.
- No utilice un equipo de limpieza a alta presión para limpiar el producto.
- No vierta agua directamente sobre el motor.
- Use un cepillo para retirar las hojas, la hierba y la suciedad.

## Limpieza de la batería y el cargador de batería



**ADVERTENCIA:** No limpie la batería ni el cargador con agua.



**ADVERTENCIA:** No utilice sustancias químicas para limpiar la batería.

- Asegúrese de que la batería y el cargador estén limpios y secos antes de colocar la batería en el cargador.
- Limpie los bornes de la batería con aire comprimido o con un paño suave y seco.
- Limpie las superficies de la batería y el cargador con un paño suave y seco.

## Inspección del equipo escarificador



**ADVERTENCIA:** Para evitar un arranque accidental, gire la llave de seguridad hasta la posición 0, retire la batería y espere al menos 5 segundos.



**ADVERTENCIA:** Utilice guantes protectores cuando realice el mantenimiento del equipo escarificador. Las cuchillas o púas del equipo escarificador están muy afiladas y se pueden producir cortes con facilidad.

- Inspeccione el equipo escarificador para comprobar si presenta daños o grietas. Sustituya siempre el equipo escarificador si presenta daños.

escarificador está muy afilado y se pueden producir cortes con facilidad.

## Sustitución del equipo escarificador



**ADVERTENCIA:** Utilice guantes protectores cuando realice el mantenimiento del equipo escarificador. El equipo

1. Ponga el producto en su lado derecho. (Fig. 40)
2. Retire los 2 tornillos (A) y la cubierta del escarificador (B). Empuje el equipo escarificador (C) hacia arriba y hacia afuera para extraerlo. (Fig. 41)
3. Empuje el nuevo equipo escarificador (C) en la ranura y hacia abajo por el orificio. Fije la cubierta del escarificador (B) y los 2 tornillos (A). (Fig. 42)

## Resolución de problemas

### Batería

Indicador LED de la batería	Causa	Solución
El LED verde parpadea.	La tensión de la batería es baja.	Cargue la batería. Consulte <i>Para cargar la batería en la página 115</i> .
El LED de error de la batería parpadea.	La batería está demasiado fría o demasiado caliente para utilizarla.	Deje que la batería se enfríe o llévela a un lugar resguardado para que se caliente. Cuando la batería alcance la temperatura adecuada, podrá usarse de nuevo. Utilice la batería del producto únicamente cuando la temperatura ambiente se encuentre entre los 5 °C y los 40 °C.
	La batería está descargada.	Cargue la batería. Consulte <i>Para cargar la batería en la página 115</i> .
El LED de error de la batería se enciende.	Hay un error permanente de la batería.	Acuda a un taller de servicio Husqvarna.

### Cargador de batería

LED del cargador de batería	Causa	Solución
El LED de error parpadea o se enciende.	El cargador de batería está demasiado frío o demasiado caliente para utilizarlo.	Deje que el cargador de batería se enfríe o llévelo a un lugar resguardado para que se caliente. Cuando el cargador de batería alcance la temperatura adecuada, podrá usarse de nuevo. Utilice el cargador de la batería cuando la temperatura ambiente se encuentre entre los 5 °C y los 40 °C.
	Otros errores.	Acuda a un taller de servicio Husqvarna.

## Panel de control

Error	Código de error (Número de destellos)	Posibles errores	Posible acción
El LED de error parpadea	3	El motor está sobrecargado	Disminuya la profundidad de trabajo. Consulte <i>Ajustar la profundidad de trabajo en la página 114</i> . Si el LED de error sigue parpadeando, el equipo es-carficador está bloqueado. Para evitar un arranque accidental, gire la llave de seguridad hasta la posición 0, retire la batería y espere al menos 5 segundos. Asegúrese de que el equipo es-carficador se mueve libremente. Si el problema persiste, diríjase a un taller de servicio oficial.
	5	El régimen del motor desciende demasiado y el motor se detiene.	
	9	El control del motor está demasiado caliente.	Detenga el motor y espere hasta que se haya enfriado.
	7	Error de batería o ausencia de señal de la batería.	Coloque la batería en el producto correctamente y examine el conector de la batería. Si el LED de error de la batería parpadea, consulte <i>Batería en la página 118</i> .
		El nivel de carga de la batería es bajo.	Cargue la batería. Consulte <i>Para cargar la batería en la página 115</i> .
El producto se detiene.	6	El nivel de carga de la batería es bajo.	Cargue la batería. Consulte <i>Para cargar la batería en la página 115</i> .
	Sin parpadeos.	Fallo del conector de la batería.	Examine el conector de la batería.
Otros errores	Si se producen otros errores, gire la llave de seguridad a la posición 0, retire la batería y diríjase a un taller de servicio autorizado.		

## Transporte, almacenamiento y eliminación

### Introducción



**ADVERTENCIA:** Para evitar un arranque accidental durante el transporte o el almacenamiento, gire la llave de seguridad a la posición 0, retire la batería y espere al menos 5 segundos.

- Asegúrese de que se cumplan las disposiciones sobre materiales peligrosos cuando prepare el producto para su transporte. Se pueden aplicar las regulaciones locales.
- No olvide extraer la batería para el transporte.
- Coloque cinta aislante en los conectores de la batería y asegúrese de que la batería no se desplace durante el transporte.
- Fije el producto durante el transporte.

### Transporte

- Las disposiciones de la legislación sobre mercancías peligrosas se aplican a las baterías de iones de litio incluidas en el producto.
- Para los transportes comerciales, se deben acatar los requisitos especiales sobre embalajes y etiquetas.

### Almacenamiento

- Antes de guardar el producto, extraiga siempre las baterías.
- Deje que el producto se enfríe antes de guardarlo.

- Para evitar accidentes, asegúrese de que la batería no esté conectada al producto durante los periodos de almacenamiento.
- Mantenga el cargador de batería en un lugar cerrado y seco.
- Mantenga la batería y el cargador de batería en un lugar seco donde no haya humedad ni escarcha.
- Cuando guarde la batería, desconéctela del cargador.
- No almacene la batería en lugares donde pueda generarse electricidad estática. No guarde la batería en una caja metálica.
- Cuando guarde el producto, hágalo en un lugar con una temperatura ambiente comprendida entre -10 °C y 40 °C.
- Conserve la batería en un lugar con una temperatura entre 5 °C y 25 °C y alejada de la luz solar.
- Conserve el cargador de batería en un lugar con una temperatura entre 5 °C y 45 °C y alejado de la luz solar.
- Asegúrese de que la batería esté cargada entre un 30 % y un 50 % antes de guardarla durante largos periodos de tiempo.
- Mantenga el producto, la batería y el cargador de batería en un lugar bajo llave fuera del alcance de niños y personas no autorizadas.

- Limpie el producto y no olvide vaciar el recogedor de césped.
- Lleve a cabo las tareas de mantenimiento que se indican en este manual de usuario. Consulte *Programa de mantenimiento en la página 116*.
- Realice un mantenimiento completo antes de guardar el producto durante un periodo prolongado.

## Eliminación

Los símbolos del producto o del embalaje del producto indican que este producto no puede desecharse como residuo doméstico. Debe enviarse a una estación de reciclaje apropiada para la recuperación de piezas eléctricas y electrónicas.

Si se asegura de que se trata este producto correctamente, puede ayudar a contrarrestar el posible impacto negativo para el medio ambiente y las personas que podría darse por una gestión incorrecta de los residuos del mismo. Si desea información más detallada sobre el reciclaje de este producto, póngase en contacto con su ayuntamiento, el servicio de recogida de basuras o la tienda donde lo adquirió.

(Fig. 43)

---

## Datos técnicos

---

### Datos técnicos

<b>S 138i</b>	
<b>Motor</b>	
Tipo de motor	BLDC (sin escobillas) 36 V
Velocidad del accesorio - SavE, rpm	3000
Velocidad del accesorio - nominal, rpm	3200
Potencia del motor (máx.), kW	1,28
Potencia del motor (nominal), kW	0,9
<b>Peso</b>	
Peso sin bolsa (ni batería), kg	19,5
Peso con bolsa (incl. 1 BLi30), kg	23
<b>Batería</b>	
Tipo de batería	Batería Husqvarna
<b>Duración de la batería</b>	
Autonomía de la batería, min., (funcionamiento continuo) con modo SavE activado, con una batería Husqvarna de 7,5 Ah (BLi30).	195



<b>S 138i</b>	
Autonomía de la batería, min., (funcionamiento continuo) con modo estándar activado, con una batería Husqvarna de 7,5 Ah (BLi30).	175
<b>Emisiones de ruido</b> <sup>19</sup>	
Nivel de potencia acústica medido, dB(A)	89
Nivel de potencia acústica garantizado L <sub>WA</sub> dB(A)	91
<b>Niveles acústicos</b> <sup>20</sup>	
Nivel de presión sonora en el oído del usuario, dB(A)	75
<b>Niveles de vibración</b> <sup>21</sup>	
Manillar, m/s <sup>2</sup>	5,5
<b>Funcionamiento</b>	
Profundidad de trabajo máx/min, mm	-8/+5
Anchura de trabajo, cm	37,5
Accesorio de cuchillas	5973510-01
Accesorio de púas	5973509-01
Capacidad del recogedor de hierba, litros	45

Baterías homologadas	Tipo	Capacidad de la batería, Ah	Tensión, V	Peso, lb/kg
BLi30	Ion-litio	7,5	36	4,2/1,9
40-B140	Ion-litio	4,0	36	2,6/1,2

Cargadores de batería homologados para las baterías especificadas, BLi	Tensión de entrada, V	Frecuencia, Hz	Potencia, W
40-C80	100-240	50-60	68,8
QC250	220-240	50	250

<sup>19</sup> Emisiones sonoras en el entorno medidas como potencia acústica (L<sub>WA</sub>) según la directiva 2000/14/CE.

<sup>20</sup> Los datos indicados sobre el nivel de presión acústica tienen un factor de incertidumbre (K) de 1,5 dB(A).

<sup>21</sup> Los datos indicados sobre los niveles de vibración tienen un factor de incertidumbre (K) de 1,5 m/s<sup>2</sup>. El valor total de vibración indicado se ha medido según el Anexo I de la norma EN 62841-4-7 y puede utilizarse para comparar máquinas y para realizar una evaluación preliminar de la exposición.

---

## Declaración de conformidad

---

## Declaración de conformidad CE

Nosotros, **Husqvarna AB**, SE-561 82 Huskvarna (Suecia), tel. +46-36-146500, declaramos bajo nuestra exclusiva responsabilidad que el producto:

<b>Descripción</b>	Escarificador
<b>Marca</b>	Husqvarna
<b>Tipo/Modelo</b>	S 138i
<b>Identificación</b>	Números de serie a partir del año 2023

Cumple las siguientes directivas y normas de la UE:

<b>Directiva/Norma</b>	<b>Descripción</b>
2011/65/UE	"relativa a restricciones de utilización de determinadas sustancias peligrosas en aparatos eléctricos y electrónicos"
2006/42/CE	"relativa a las máquinas"
2014/30/UE	"relativa a la compatibilidad electromagnética"
2000/14/CE	"relativa a las emisiones sonoras en el entorno"

Y que se aplican las especificaciones técnicas o los estándares siguientes: EN 62841-1:2015/A11:2022, EN IEC 62841-4-7:2022/A11:2022, EN ISO 12100:2010, EN 55014-1:2017/A11:2020, EN 55014-2:2015, EN IEC 63000:2018.

Para obtener información respecto a las emisiones sonoras, consulte *Datos técnicos en la página 120*.

Husqvarna, 2023-12-30



Claes Losdal

Director de desarrollo/Productos para el jardín

Husqvarna AB

Responsable de la documentación técnica



---

## Sisukord

---

Sissejuhatus.....	124	Veaoising.....	133
Ohutus.....	125	Transportimine, hoiulepanek ja utiliseerimine.....	134
Kokkupanek.....	130	Tehnilised andmed.....	135
Töö.....	130	Vastavusdeklaratsioon.....	137
Hooldamine.....	132		

---

## Sissejuhatus

---

### Toote kirjeldus

See toode on lükatav elektriline samblaeeemaldaja. Tootega eemaldatakse murult kuivanud rohi ja kobestatakse pinnast, et lasta selle hingata ja veel murusse imbuda. Rohi kogutakse rohukogurisse või heidetakse murule. Tootel on kahte tüüpi samblaeeemaldusosad.

### Samblaeeemaldusosad

Vt *Samblaeeemaldusosa vahetamine lk 133* rohkema teabe saamiseks, kuidas vahetada samblaeeemaldusosi.

### Lõiketera piid

Lõiketera piidega eemaldatakse kuivanud rohi ja lõigatakse rohujuuri vertikaalselt. Kasutage lõiketera

piisid kallakutel, astangutel ja savirikkal pinnasel. Lõiketerade piide abil imbub vesi murusse ning välditakse selle kogunemist murupinnale.

(Joon. 17)

### Vedrupiid

Vedrupiidega eemaldatakse murult vana rohi ja sammal vigastamata rohujuuri.

(Joon. 18)

### Kasutusotstarve

Kasutage toodet vana rohu ja sambla eemaldamiseks ning pinnase kobestamiseks. Ärge kasutage toodet muude tööde tegemiseks.

### Toote tutvustus

(Joon. 1)

1. Mootori pidurikäepide
2. Ülemine käepide
3. Juhtpaneel
4. Käivitusõkesti
5. Alumine käepide
6. Rohukogur
7. Tagumine kate
8. Samblaeeemaldi kate
9. Akukaas
10. Töösügavuse reguleerimisnupp
11. Ohutuslüliti
12. Sisse- ja väljalülitusnupu LED-näidik
13. Toitenupp
14. SavE-nupp
15. SavE'i LED-näidik
16. Aku laadimisindikaator ja aku nupp
17. Vedrupiid
18. Aku (lisatarvik)
19. Akulaadija (lisatarvik)
20. Kuuskantvõti
21. Kasutusjuhend

### Sümbolid tootel

(Joon. 2) HOIATUS!

(Joon. 3) Lugege läbi juhised.

(Joon. 4) HOIATUS! Olge tähelepanelik paiskuvate esemete suhtes.

(Joon. 5) Hoidke kõrvalseisjad eemal.

(Joon. 6) HOIATUS! Hoidke käed ja jalad piidest eemal.

(Joon. 7) Enne hooldamist ühendage aku lahti.

(Joon. 8) Ärge jätke vihma kätte.

(Joon. 9) Seade on kaitstud pritsiva vee eest.

(Joon. 10) See toode vastab kehtivatele EÜ direktiividele.

(Joon. 11) See toode vastab kehtivatele UK direktiividele.

(Joon. 12) Määramisioonile viitav keskkonnasilt vastavalt ELi ja UK direktiividele ja määrustele ja Uus Lõuna-Walesi õigusaktile „Protection of the Environment Operations (Noise Control) Regulation 2017“. Toote garanteeritud helivõimsuse taseme andmed leiate jaotisest *Tehnilised andmed lk 135* ja sildil.

(Joon. 15) Toimetage seade elektri- ja elektroonikajäätmete ringlussevõtukeskusesse. (Kehtib vaid Euroopas)

(Joon. 16) Käivitamine: vajutage nuppu ON/OFF, avage käivitustakisti, lükake mootori pidurikäepide alla.

(Joon. 13) Seiskamiseks vabastage mootori pidurikäepide.

(Joon. 14) Skannitav kood.

**Märkus:** Ülejäädud seadmel toodud sümbolid/ tähised vastavad teatud riikides kehtivatele sertifitseerimisnõuetele.

## Toote kahjustused

Me ei vastuta meie tootele tekitatud kahjude eest, kui:

- toodet on valesti parandatud;
- toote parandamisel on kasutatud osi, mis ei ole tootja poolt valmistatud või heaks kiidetud;
- tootel on kasutatud tarvikut, mis ei ole tootja poolt valmistatud või heaks kiidetud;
- toodet ei ole parandatud volitatud hoolduskeskuses või volitatud isiku poolt.

## Ohutus

### Ohutuse määratlused

Mõistetega „hoiatus“, „ettevaatus“ ja „märkus“ juhitakse tähelepanu eriti olulistele kohtadele kasutusjuhendis.



**HOIATUS:** Tähistab kasutusjuhendi juhiste eiramise korral kasutaja või kõrvalseisjate kehavigastuse või surmaga lõppeva õnnetuse ohtu.



**ETTEVAATUST:** Tähistab kasutusjuhendi juhiste eiramise korral seadme, muude esemete või läheduses asuvate objektide kahjustamise ohtu.

**Märkus:** Tähistab antud olukorras vajalikku lisateavet.

### Üldised tooteohutuse hoiatused



**HOIATUS:** Lugege läbi kõik tootega kaasas olevad hoiatused, juhised, tehnilised andmed ning tutvuge joonistega. Alltoodud juhiste eiramine võib põhjustada elektrilöögi, tulekahju ja/või ohtliku kehavigastuse.

**Hoidke kõik ohutuslased märkused ja juhised edasiseks kasutamiseks alles.** Hoiatuses kasutatud mõiste „toode“ tähistab võrgutoitel (juhtmega) elektritööriista või akutoitel (juhtmata) elektritööriista.

### Tööala ohutus

- **Hoidke tööala puhas ja tagage hea valgustus.** Segamini või hämarad alad on õnnetusealdis.
- **Ärge kasutage toodet plahvatusohtlikus keskkonnas, näiteks tuleohtlike vedelike, gaaside või tolmu läheduses.** Toode võib tekitada sädemeid, mis võivad tolmu või aaurud süüdata.
- **Hoidke toote kasutamise ajal lapsed ja kõrvalseisjad tööalast eemale.** Tähelepanu hajumine võib põhjustada kontrolli kaotamist.

### Inimeste kaitsmine

- **Olge toote kasutamisel tähelepanelik, jälgige oma tegevust ja kasutage tervet mõistust. Ärge kasutage toodet, kui olete väsinud või uimastite, alkoholi või ravimite mõju all.** Hetkeline tähelepanematus toote kasutamise ajal võib lõppeda raskete kehavigastustega.
- **Kasuta isikukaitsevahendeid. Kasutage alati kaitseprille.** Asjakohastes tingimustes kaitsevahendite (nt tolumask, mittelibisevad turvajalatsid, kiiver või kõrvaklapid) kasutamine vähendab kehavigastuste ohtu.
- **Vältige soovimatut käivitumist. Enne toote ühendamist toiteallika ja/või akuga, üles tõstmist või kandmist veenduge, et lüliti oleks väljalülitatud asendis.** Kui kannate toodet nii, et sõrm on toitelülilil, või ühendate toote vooluvõrku, kui toitelüliti on sisse lülitatud, võib see lõppeda õnnetusega.
- **Eemaldage enne seadme sisselülitamist kõik reguleerimis- ja nutrivõtmed.** Seadme pöörleva osa külge jäetud mutri- või muu võti võib tekitada kehavigastusi.

- **Ärge küünitage liiga kaugele. Säilitage kogu aeg kindel jalgealune ja tasakaal.** See tagab ootamatutes olukordades seadme üle parema kontrolli.
- **Kandke nõuetekohaseid riideid. Ärge kandke lahtiseid rõivaid ega ehteid. Hoidke juuksed ja rõivad liikuvatest osadest eemal.** Lahtised rõivad, ehted või pikad juuksed võivad liikuvate osade vahele kinni jääda.
- **Kui seadmetel on ühendus tolmueemaldus- ja kogumisseadmete jaoks, veenduge, et need on ühendatud ja neid kasutatakse õigesti.** Tolmukogumise kasutamise abil saab vähendada tolmuga seotud ohte.
- **Ärge muutuge tööriistade sagedasest kasutusest hooletuks ning ärge eirake tööriistade ohutu kasutamise põhimõtteid.** Hooletu tegevus võib ka murdosa sekundi jooksul põhjustada tõsiseid kehavigastusi.

## Toote kasutamine ja hooldamine

- **Ärge koormake toodet üle. Kasutage rakenduse jaoks õiget toodet.** Õige toode teeb töö ära paremini, ohutumalt ja ettenähtud kiirusel.
- **Ärge kasutage toodet, kui see lüüti vajutamisel ei lülitu sisse ega välja.** Mis tahes toode, mida pole võimalik lülitil abil juhtida, on ohtlik ja tuleb viivitamatult parandada.
- **Enne toote reguleerimist, tarvikute vahetamist või holustamist eemaldage pistik toiteallikast ja/või eemaldage toote küljest aku, kui see on eemaldatav.** Taolised ennetavad ohutusmeetmed vähendavad toote tahtmatu käivitamise ohtu.
- **Hoidke toodet, mida te parasjagu ei kasuta, lastele kättesaamatus kohas ning ärge lubage toodet kasutada isikutel, kes ei oska seda kasutada või pole neid juhiseid läbi lugenud.** Tooted on väljaõppeta kasutajate käes ohtlikud.
- **Hooldage tooteid ja lisatarvikuid.** Kontrollige liikuvate osade joondust ja kinnitusi, osade purunemist või muid toote kasutamist mõjutada võivaid tegureid. **Kahjustuse korral laske seade enne kasutamist remontida.** Paljude õnnetuste põhjuseks on toote puudulik hooldus.
- **Hoidke lõikevahendid teravad ja puhtad.** Nõuetekohaselt hooldatud teravate lõikeservadega lõikevahendite kinnikiilumise tõenäosus on väiksem ja neid on hõlpsam juhtida.
- **Järgige toote, tarvikute, tööriistaotsakute jm kasutamisel neid juhiseid ning arvestage töötingimuste ja -ülesandega.** Toote kasutamine muuks kui ettenähtud otstarbeks võib põhjustada ohtliku olukorra.
- **Hoidke käepidemed ja haardepinnad kuivad, puhtad ning õli- ja määrdevabad.** Libedate käepidemete ja haardepindade korral ei ole ootamatutes olukordades võimalik toodet ohutult käsitseda ja juhtida.

## Akutööriistade kasutamine ja hooldamine

- **Kasutage laadimiseks ainult tootja soovitatud laadijat.** Ühte tüüpi aku laadimiseks sobiv laadija võib koos teist tüüpi akuga kasutades tuleohtu põhjustada.
- **Kasutage toodetega vaid spetsiaalselt neile loodud akusid.** Teisi akukogumeid kasutades riskite vigastuste ja tulekahjuga.
- **Kui aku pole hetkel kasutuses, hoidke seda eemal teistest metallesemetest (nt kirjaklambrid, mündid, võtmed, naelad, kruvid vms väiksed metallesemed), mis võiksid akuklemme omavahel ühendada.** Akuklemmide lühistamine võib põhjustada põletushaavu või tulekahju.
- **Väärkasutamise korral võib akut vedelikku lekkida; vältige kokkupuudet.** Kokkupuute korral loputage kannatada saanud kohta veega. Kui vedelik satub silma, loputage silma veega ja pöörduge arsti poole. Akust lekkinud vedelik võib põhjustada ärritust või põletushaavu.
- **Ärge kasutage defektset või muudetud akut või tööriista.** Kahjustatud või muudetud akud võivad käituda ettearvamatult ning põhjustada tule-, plahvatus- või vigastusohtu.
- **Ärge laske akul või tööriistal puutuda kokku tulega või liiga kõrgete temperatuuridega.** Kokkupuude üle 130 °C temperatuuriga võib põhjustada plahvatus.
- **Järgige kõiki laadimisjuhiseid ja ärge vahetage akut või tööriista temperatuuril, mis jääb väljapoole juhistes kirjeldatud temperatuurivahemikku.** Aku laadimine valesti või väljaspool selleks ettenähtud temperatuurivahemikku võib akut kahjustada ja suurendada tuleohtu.

## Teenus

- **Laske toodet hooldada kvalifitseeritud remonditehnikul, kasutades ainult identseid varuosi.** See tagab toote ohutuse säilimise.
- **Ärge kunagi hooldage kahjustatud akusid.** Akusid võib hooldada üksnes tootja või volitatud teenusepakkuja.

## Toote ohutusjuhised

- **Ärge kasutage toodet halva ilmaga, eelkõige äikesetormi ajal.** See vähendab pikselöögi ohtu.
- **Kontrollige põhjalikult, kas toote kasutusala on elusloodust.** Toode võib töötades elusloodust kahjustada.
- **Kontrollige hoolikalt toote kasutusala ning eemaldage sealt kõik kivid, oksad, traadid, kondid ja muud võrkehad.** Ohku paiskuvad esemed võivad tekitada kehavigastusi.
- **Enne toote kasutamist kontrollige alati visuaalselt, et piid või piide koost ei oleks kulunud ega kahjustatud.** Kulunud või kahjustatud osad suurendavad kehavigastuse ohtu.
- **Kontrollige rohukogurit sageli kulumise või kahjustumise suhtes.** Kulunud või kahjustatud rohukogurit võib suurendada kehavigastuse ohtu.

- **Hoidke kaitsmed paigaldatuna. Kaitsmed peavad olema töökorras ja õigesti paigaldatud.** Kaitse, mis on lahti tulnud, kahjustunud või ei tööta korralikult, võib tekitada kehavigastusi.
- **Hoidke kõik jahutusõhu sisselaskeavad prahist puhtad.** Blokeeritud õhu sisselaskeavad ja praht võivad põhjustada ülekuumenemist või tuleohtu.
- **Kandke toote kasutamisel alati libisemiskindlaid kaitsejalatseid. Ärge kasutage toodet paljajalu ega lahtiste sandaalidega.** See vähendab liukivate piidega kokkupuutel jalalabade vigastusohu.
- **Kandke tootega töötamisel alati pikki pükse.** Katmata naha korral suureneb paiskuvatest esemetest tingitud vigastusohu.
- **Toodet ei tohi kasutada vihma käes või märjas keskkonnas. Kõndige ja ärge kunagi jookske.** See vähendab libisemis- ja kukkumisohtu, mis võib lõppeda kehavigastusega.
- **Ärge kasutage toodet liiga järskuldel kallakutel.** See vähendab kontrolli kaotamise ning libisemis- ja kukkumisohtu, mis võib lõppeda kehavigastusega.
- **Kallakul töötades tagage alati kindel asend, töötage masinaga risti üle kallaku, mitte otse üles või alla, ning olge suuna muutmisel äärmiselt ettevaatlik.** See vähendab kontrolli kaotamise ning libisemis- ja kukkumisohtu, mis võib lõppeda kehavigastusega.
- **Tagurdamisel ja toote enda poole tõmbamisel olge väga ettevaatlik. Olge tähelepanelik oma ümbruse suhtes.** See vähendab töötamisel komistamisohu.
- **Hoidke toodet ainult isoleeritud haardepindadest, sest piid võivad puutuda kokku peidetud kaablite või nende endi juhtmega.** Piid, mis puutuvad kokku voolu all kaabliga, võivad juhtida voolu masina metallosadesse ja see võib põhjustada kasutajale elektrilöögi.
- **Ärge puudutage piisid ja muid ohtlikke liikuvaid osi, kui need alles liiguvad.** See vähendab liukivate osade põhjustatud vigastusohu.
- **Kui eemaldate kinnikilunud materjali või puhastate toodet, veenduge, et kõik toitelülitid oleks välja lülitatud ja akud oleks lahti ühendatud.** Tootte ootamatu tööle hakkamine võib tekitada raske kehavigastuse.

## Üldised ohutuseeskirjad



**HOIATUS:** Enne toote kasutamist lugege läbi järgmised hoiatused.

- Seade on ohtlik, kui seda kasutada valesti või ettevaatamatult. Ohutuseeskirjade eiramine võib põhjustada kehavigastuse või surma.
- Tootte tekitab töötades elektromagnetvälja. Teatud tingimustel võib väli häirida aktiivsete või passiivsete meditsiiniliste implantaatide tööd. Raskete või surmaga lõppevate kehavigastuste ohu vähendamiseks soovitate meditsiinilisi implantaate kasutataval inimestel pidada enne selle seadme

kasutamist nõu oma arsti ja implantaadi valmistajaga.

- Olge alati ettevaatlik ja toimige arukalt. Kui te pole kindel, kuidas toodet eriolukorras kasutada, lõpetage töö ja pidage enne jätkamist nõu Husqvarna edasimüüjaga.
- Arvestage, et teiste isikute ja nende varaga seotud õnnetuste korral kannab vastutust seadme kasutaja.
- Hoidke seade puhas. Veenduge, et märgid ja tähised oleksid selgelt loetavad.
- Ärge kunagi lubage lastel või nende juhustega mittetutvunud inimestel seadet kasutada. Lubalikud kehtivad eeskirjad võivad piirata kasutaja kohaliku vanust.
- Kui seadet kasutab piiratud füüsiliste või vaimsete võimetega isik, peab ta olema kogu aeg järelevalve all. Vastutusvõimeline täiskasvanu peab kogu aeg kasutaja juures viibima.
- Ärge kasutage toodet, kui olete väsinud, haige või tarvitanud alkoholi, narkootikume või ravimeid. Sellel on negatiivne mõju teie nägemisele, tähelepanuvõimele, liikumisele ja otsustamisvõimele.
- Ärge kasutage toodet, kui see on kahjustatud või ei tööta korralikult.
- Ärge muutke seadet, nii et see ei vasta enam tehase originaalmudelitele; ärge kasutage seadet, kui arvate, et seda on muutnud keegi teine.

## Tööohutus



**HOIATUS:** Enne toote kasutamist lugege läbi järgmised hoiatused.

- Kasutage seda toodet ainult murult vana rohu ja sambla eemaldamiseks. Muude toimingute tegemiseks toodet kasutada ei tohi.
- Kasutage isikukaitsevahendeid. Vt jaotisest *Isikukaitsevahendid lk 128*.
- Veenduge, et teate, kuidas hädaolukorras mootorit kiiresti seisata.
- Toodet ei tohi kasutada vihma käes või märjas keskkonnas. See võib suurendada elektrilöögi ohtu.
- Ärge kasutage toodet enne, kui piid ja kõik katted on õigesti kinnitatud. Valesti kinnitatud piid võivad lahti tulla ja inimesi vigastada.
- Veenduge, et piid ei puutuks kokku esemetega (nt kivide ja juurtega). Nii võivad piid kahjustada saada ja põhjustada mootorit võlli väändumist. Paindega telg põhjustab tugevat vibratsiooni ja suurt piide lahtitulemise ohtu.
- Kui piid puutuvad kokku mõne esemega või esineb vibratsioon, peatage toode viivitamatult. Seisake mootor, keerake ohutuslüli asendisse 0 ja eemaldage aku. Oodake, kuni liikuvad osad peatuvad. Kontrollige toodet kahjustuste suhtes. Kinnitage lahtised osad korralikult. Parandage kahjustused ja asendage kahjustatud osad. Laske parandustöid teha volitatud hooldustöökojas.

- Kui mootor töötab, ärge kinnitage kunagi mootori pidurikäepidet püsivalt käepideme külge.
- Asetage toode stabiilsele ja tasasele pinnale ning käivitage see. Veenduge, et piid ei puutuks vastu maad ega muid esemeid.
- Olge toote kasutamisel alati toote taga.
- Toote kasutamisel hoidke mõlema käega käepidemest ja kõik toote rattad maas. Hoidke käed ja jalad pöörlevatest piidest eemale.
- Vältige mootori käivitamisel või toote kasutamisel toote kallutamist.
- Olge toote tagasisuunas tõmbamisel ettevaatlik.
- Kui mootor on käivitatud, ärge tõstke toodet. Kui teil on vaja toode üles tõsta, seisake esmalt mootor, keerake ohutuslüli asendisse 0 ja eemaldage aku.
- Ärge kõndige toote kasutamise ajal tagurpidi.
- Seisake mootor, kui toodet on vaja transportimiseks kallutada või kui peate ületama ilma muruta ala, näiteks kruusa-, kivi- või asfalttee.
- Ärge lükake toodet joostes, kui mootor on käivitatud. Toote kasutamise ajal kõndige.
- Enne töösügavuse muutmist seisake mootor. Ärge kunagi tehke reguleerimisi, kui mootor töötab.
- Ärge laske toodet silmist, kui mootor töötab. Seisake mootor, keerake ohutuslüli asendisse 0 ja eemaldage aku. Veenduge, et samblaemaldusosa ei pöörle.
- Toote kasutamise ajal esinev vibratsioon võib erineda vibratsiooniväärtusest, mis on esitatud jaotises *Tehnilised andmed lk 135*. Erinevus tuleneb toote erinevatest kasutusviisidest. Kui kasutate toodet sageli või kaua aega, tehke regulaarselt pause, et vältida vibratsioonist tingitud vigastusi.

- Ärge kasutage toodet, mille ohutusseadmed on kahjustatud või ei tööta korralikult.
- Ärge eemaldage ohutusseadmeid ega tehke neis muudatusi.
- Kontrollige ohutusseadiseid regulaarselt. Kui ohutusseadmed on kahjustatud või ei tööta korralikult, pöörduge Husqvarnahooldustöökoja poole.

## Katete kontrollimine

Samblaemaldaja kate vähendab toote vibratsiooni ja samblaemaldusosast tingitud vigastuste ohtu.

- Kontrollige samblaemaldaja külgakatet kahjustuste (nt pragude) suhtes.
- Kontrollige tagumist katet kahjustuste (nt pragude) suhtes.

## Mootori pidurikäepide

Mootori pidurikäepideme abil saab mootori seisata. Mootori pidurikäepideme vabastamisel mootor seiskub.

Mootoripiduri kontrollimiseks käivitage mootor ja vabastage mootori pidurikäepide. Kui mootor kolme sekundi jooksul ei seisku, laske mootoripidurit Husqvarna volitatud hooldustöökojas reguleerida.

(Joon. 19)

## Ohutuslüli

Ohutuslüli asub akukaane all. Ohutuslüli abil ühendatakse aku, mis varustab mootori toitega.

- Ohutuslüli kontrollimiseks käivitage ja seisake mootor.
- Kui ohutuslüli on töökorras, siis käivitub mootor üksnes lüli keeramisel asendisse 1.

(Joon. 20)

## Käivitustõkesti kontrollimine

Kontrollige, kas käivitustõkesti takistab mootori tööd.

1. Lükake mootori pidurikäepidet juhtraua suunas. Käivitustõkesti peatab liikumise.
2. Lükake käivitustõkesti välja. (Joon. 21)
3. Laske käivitustõkesti lahti ja veenduge, et see läheks tagasi lähteasendisse.

## Aku ohutus



**HOIATUS:** Enne toote kasutamist lugege läbi järgmised hoiatused.

- Kasutage seotud Husqvarna toodete toiteallikana alati üksnes Husqvarna taaslaetavaid akusid. Kehavigastuse vältimiseks ärge kasutage akut muude seadmete toiteallikana.
- Ärge kasutage mitlaetavaid akusid.

## Ohutusjuhised kasutamisel

### Isikukaitsevahendid



**HOIATUS:** Enne toote kasutamist loe läbi järgnevad hoiatused.

- Isikukaitsevarustus ei vältista täielikult kehavigastuste ohtu, kuid vähendab õnnetusjuhtumi korral kehavigastuse raskusastet. Olige varustuse valimiseks pöörduge edasimüüja poole.
- Kandke vastupidavaid saapaid või jalatseid, mis on libisemiskindlad. Ärge kandke avatud jalatseid ega olge paljajalu.
- Kandke tugevaid pikki pükse.
- Vajaduse korral kandke kaitsekindaid, näiteks löikeosa kinnitades, kontrollides või puhastades.
- Soovitame kasutada kuulmiskaitset.

### Toote ohutusseadised



**HOIATUS:** Enne toote kasutamist lugege läbi järgmised hoiatused.



- Elektrilöögi oht. Ärge ühendage akuklemme võtmete, müntide, kruvide või muude metallesemetega. See võib tekitada akus lühise.
- Ärge asetage esemeid aku õhuavade sisse ja ette.
- Vältige aku kokkupuudet otsese päikesevalguse, kuumuse ja lahtise leegiga. Aku võib plahvatada ja põhjustada põletusi ja/või keemilisi põletusi.
- Vältige aku kokkupuudet vihma ja märja keskkonnaga.
- Vältige aku kokkupuudet mikrolainete ja kõrgsurvega.
- Ärge demonteerige ega lõhkuge akut.
- Aku lekke korral vältige vedeliku kokkupuudet keha ja silmadega. Kui vedelik satub kehale, puhastage kokkupuutunud ala rohke veega ja seejärel pöörduge arsti poole.
- Kasutage toote akut üksnes juhul, kui õhutemperatuur on vahemikus 5 °C kuni 40 °C.
- Kasutage akulaadijat üksnes juhul, kui õhutemperatuur on vahemikus 5 °C kuni 40 °C.
- Akut ei laeta, kui aku temperatuur on üle 50 °C.
- Ärge puhastage akut või akulaadijat veega. Vt jaotisest *Aku lk 133*.
- Ärge kasutage kahjustatud akut.
- Ladustage akusid metallesemetest (nt naelad, mündid, ehted) eemal.
- Akulaadijat võivad kasutada lapsed alates 8. eluaastast ja isikud, kellel on vähenenud füüsilised, sensoorsed või vaimsed võimed või puudulikud teadmised ja kogemused, kui neid jälgib või juhendab vastutav isik, kes tagab, et nad kasutavad akulaadijat ohutult ning mõistavad seotud ohtusid. Lapsed ei tohi akulaadijaga mängida. Lapsed ei tohi seadet ilma järelevalveta puhastada ega hooldada.
- Ärge laadige akulaadijas mitteleaetavaid akusid.
- Ärge kasutage akulaadijat tuleohtlike või korrosiooni tekitavate materjalide läheduses. Ärge katke akulaadijat. Suitsu või tule tekke korral eemaldage pistik akulaadijast.
- Ärge kunagi kasutage defektset või kahjustunud akulaadijat.
- Laadige akut ainult hea õhuvahetusega siseruumis ja päikesevalguse eest kaitstuna. Ärge laadige akut märjas keskkonnas.

## Ohutusjuhised hooldamisel



**HOIATUS:** Enne toote kasutamist lugege läbi järgmised hoiatused.

### Akulaadija ohutus



**HOIATUS:** Enne toote kasutamist lugege läbi järgmised hoiatused.

- Kasutage Husqvarna asendusakude laadimiseks ainult QC akulaadijaid.
- Elektrilöögi ja lühise oht. Ärge asetage esemeid laadija õhuavade sisse ja ette. Ärge püüdke akulaadijat lahti monteerida. Ärge ühendage laadija klemme metallesemete külge. Kasutage haakskiidetud võrgupistikupesaga.
- Toode tekitab töötades elektromagnetvälja. Teatud tingimustel võib väli häirida aktiivsete või passiivsete meditsiiniliste implantaatide tööd. Raskete või surmaga lõppevate kahjustuste ohtu vähendamiseks soovitage meditsiinilisi implantaate kasutavatel inimestel pidada enne selle toote kasutamist nõu oma arsti ja implantaadi valmistajaga.
- Kontrollige regulaarselt, kas akulaadija toitejuhe on kahjustada saanud ja kas sellel on pragusid.
- Ärge tõstke akulaadijat toitejuhtmest hoides. Akulaadija võrgupistikupesast lahutamiseks tõmmake pistikut. Ärge tõmmake toitejuhet.
- Vältige toitejuhtme ja pikendusjuhtme kokkupuudet vee, õli ja teravate servadega. Jälgi, et juhe ei jääks uste, väravate jms vahele. See võib põhjustada laadija sattumise pingele alla.
- Ärge puhastage akulaadijat veega.
- Hooldustööde ajal juhusliku käivitumise vältimiseks keerake ohutussüliti asendisse 0 ja eemaldage aku. Enne hooldustööde alustamist oodake vähemalt viis sekundit.
- Toote kasutusea tõstmiseks ja õnnetuste ohtu vähendamiseks tehke kõik hooldustööd korrektselt. Laske professionaalsel parandustööl teha volitatud hooldustöökojas. Lisateavet küsige lähimast hooldustöökojast.
- Hooldage toodet ainult selle kasutusjuhendi järgi. Keerukamad tööd laske teostada volitatud hooldustöökojas.
- Vigastuste vältimiseks ärge eemaldage ohutusseadmeid ega tehke neile muudatusi.
- Samblaemaldusosa käsitsetes kandke alati tugevaid kindaid. Samblaemaldusosa on väga terav ja võib kergesti põhjustada löikevigastusi.
- Parima ja ohutuima töö tagamiseks hoidke samblaemaldusosa piid teravana ning puhtana.
- Laske hooldustöökojas toodet korrapäraselt kontrollida ning teha vajalikke seadistamisi ja parandusi.
- Asendage kahjustatud, kulunud ja katkised osad. Kasutage alati tootja originaalvaruosi. Muud varuosad võivad toodet kahjustada ja suurendada õnnetuste ohtu.
- Järgige lisatarvikute vahetamise juhiseid. Kasutage ainult tootja valmistatud lisatarvikuid.
- Kui toodet ei kasutata, eraldage toode, aku ja akulaadija ning hoidke neid kuivas ja lukustatud siseruumis. Veenduge, et lastel ja ilma vastava volituseta kõrvalistel isikutel puuduks juurdepääs tootele, akule ning akulaadijale.

# Kokkupanek

## Sissejuhatus



**HOIATUS:** Enne toote kokkupanemist lugege läbi ohutust puudutav peatükk.



**HOIATUS:** Kokkupanemise ajal juhusliku käivitumise vältimiseks keerake ohutuslülitit asendisse 0, eemaldage aku ja oodake vähemalt viis sekundit.

## Käepideme kokkupanek

1. Keerake alumised hoovad lahti.
2. Liigutage nupud toote vasakul ja paremal küljel olevatesse soonetes. (Joon. 22)
3. Reguleerige käepideme kõrgus ühte kahest võimalikust asendist.

4. Liigutage nuppusid üles käepideme suunas, kuni need peatuvad ja kostub klõpsatus. (Joon. 23)
5. Keerake nupud korralikult kinni.

## Rohukoguri kokkupanek

1. Kinnitage rohukoguri raam rohukoti külge nii, et koti jäik osa jääb põhja. Hoidke raami käepidet rohukoti peal. (Joon. 24)
2. Kinnitage rohukoguri raami alumine osa rohukoguri allosas asuvasse soonde.
3. Kinnitage rohukott klambritega rohukoguri raami külge. (Joon. 25)
4. Kergitage tagakaant.
5. Pange rohukogur õigesse asendisse. (Joon. 26)
6. Kinnitage rohukogur raami ülaservale. Veenduge, et tagakaan on lekke vältimiseks tihedalt rohukoguri vastas. (Joon. 27)

## Töö

## Sissejuhatus



**HOIATUS:** Enne seadme kasutamist lugege põhjalikult läbi ohutust puudutav jaotis.

## Husqvarna Connect

Husqvarna Connect on mobiilsideseadmetele mõeldud tasuta rakendus. Rakendus Husqvarna Connect annab teie Husqvarna tootele lisafunktsionaalsuse:

- Täiendav tooteteave.
- Toote osade ja hoolduse alane teave ja abi.

## Toote Husqvarna Connect kasutamise alustamine

1. Laadige Husqvarna Connect rakendus oma mobiilsideseadmesse.
2. Registreeruge Husqvarna Connect rakenduses.
3. Toote ühendamiseks ja registreerimiseks järgige Husqvarna Connect rakenduse juhiseid.

## Töösügavuse seadistamine



**HOIATUS:** Ärge seadistage töösügavust toote kasutamise ajal.

1. Vajutage ja pöörake töösügavuse reguleerimisnuppu vastupäeva, et suurendada töösügavust.

2. Vajutage ja pöörake töösügavuse reguleerimisnuppu päripäeva, et vähendada töösügavust. (Joon. 28)

## Aku



**HOIATUS:** Enne aku kasutamist lugege läbi ohutust puudutav jaotis ja veenduge, et oleksite kõigest aru saanud. Samuti tuleb läbi lugeda aku ja akulaadija kasutusjuhend ning veenduda, et kogu teave on arusaadav.

Hoidke akut ja akulaadijat õigel õhutemperatuuril.

	Õhutemperatuur
Aku kasutamine	5 °C kuni 40 °C
Aku laadimine	5 °C kuni 40 °C

## Aku olek

Ekraanil kuvatakse aku järelejäänud mahtuvus ja akuga seotud mis tahes probleemid. Aku laetustaseme nägemiseks vajutage aku indikaatori nuppu. Akul olev hoiatussümbol süttib tõrke ilmnemisel. Vt jaotisest *Aku lk 133*.

(Joon. 29)

LED-tuled	Aku olek
Kõik LED-tuled põlevad	Täis (76–100%)
LED 1, LED 2, LED 3 põlevad	Aku on laetud 51–75%

LED-tuled	Aku olek
LED 1, LED 2 põlevad	Aku on laetud 26–50%
LED 1 põleb	Aku on laetud 6–25%.
Vilgub LED-tuli 1	Aku on 0–5% laetud.

## Aku laadimine

Enne esimest kasutuskorda laadige aku täis. Kliendile tarnimisel on aku laetud üksnes 30% ulatuses.

**Märkus:** Akulaadija tuleb ühendada tüübisildil näidatud pinge ja sagedusega võrku.

Aku laadimist ei toimu, kui aku temperatuur on üle 50 °C. Enne laadimise alustamist langetab akulaadija aku temperatuuri vajalikule tasemele.

1. Ühendage akulaadija toitejuhtme üks ots akulaadija pesasse.
2. Ühendage akulaadija toitejuhtme teine ots maandatud võrgupistikupesasse. Akulaadijal olev roheline märgutuli vilgub üks kord. (Joon. 30)
3. Asetage aku akulaadijasse. Kui aku on akulaadijaga õigesti ühendatud, süttib laadijal roheline tuli. (Joon. 31)
4. Kui aku kõik märgutuled põlevad, on aku täis. Ärge laadige akut kauem kui 24 tundi.
5. Akulaadija toitejuhtme võrgupistikupesast lahutamisel tõmmake pistikust, mitte juhtmest.
6. Eemaldage aku laadijast.

## Toote käivitamine

1. Asetage laetud aku akukaane all olevasse akukambrisse 1. Tööea pikendamiseks asetage teine laetud aku akukambrisse 2.
2. Keerake ohutuslüli asendisse 1. (Joon. 32)
3. Olge toote taga.
4. Vajutage juhtimispaneelil nuppu ON/OFF (A) ja süttib roheline LED-tuli (B). (Joon. 33)
5. Avage käivitustõkesti. (Joon. 34)
6. Lükake mootori pidurikäepidet juhtraua suunas. (Joon. 35)

## SavE funktsiooni kasutamine

Toode on varustatud akusäästufunktsiooniga (SavE), mis pikendab aku tööiga.

1. Funktsiooni käivitamiseks vajutage SavE nuppu (A). Süttib roheline LED-tuli. (Joon. 36)

2. Funktsiooni peatamiseks vajutage uuesti SavE nuppu. Roheline LED-tuli (B) kustub.

## Suure koormuse funktsioon

Kui seade niidab märga või pikka rohtu, suureneb mootori pöörete arv minutis automaatselt. Kui koormus langeb, lülitub mootor automaatselt tagasi tavarežiimile.

## Mootori seiskumine

Kasutamise ajal võivad lõikeketera ja mootor takistuste tõttu ajutiselt seiskuda, näiteks kui lõikekorpuse all tekib muruummistus. Kui sellisel juhul hoiate mootori pidurikäepidet allavajutatuna, taaskäivitus toode automaatselt. Kui toode 5-10 sekundi jooksul ei käivitu, võib olla vaja lõikekorpuse alune puhastada. Vt jaotist *Toote puhastamine lk 132.*



**HOIATUS:** Kui mootor seiskub, proovib mootor 5-10 sekundi jooksul automaatselt taaskäivituda. Enne lõikekorpuse kontrollimist oodake vähemalt 15 sekundit.



**HOIATUS:** Enne lõikekorpuse kontrollimist vabastage mootori pidurikäepide, keerake ohutuslüli asendisse 0, eemaldage aku ja oodake vähemalt viis sekundit. Takistuse eemaldamise ja toote ootamatu käivitumise korral esineb vigastusohu.

## Toote seiskamine

Kui seadet 10 minuti jooksul ei kasutata, seiskub see automaatselt. Ärge laske toodet silmist, kui mootor töötab. Seisake mootor, keerake ohutuslüli asendisse 0 ja eemaldage aku. Veenduge, et samblaemaldusosa ei pöörleks.

1. Mootori seiskamiseks vabastage mootori pidurikäepide. (Joon. 37)
2. Vajutage juhtpaneelil ON/OFF nuppu (A) ja roheline LED-tuli (B) kustub. (Joon. 33)
3. Avage akukaas ja keerake ohutuslüli asendisse 0. (Joon. 38)
4. Aku eemaldamiseks vajutage korraga kahte vabastusnuppu ja tõmmake aku välja. (Joon. 39)
5. Laadige akut, kui see on tühjenenud. Lisateavet leiate jaotisest *Aku laadimine lk 131.*

# Hooldamine

## Sissejuhatus



**HOIATUS:** Enne seadme hooldamist lugege põhjalikult läbi ohutust puudutav peatükk.

Seadme hooldamiseks ja remontimiseks on vaja erioskusi. Tagame asjatundliku remondi- ja hooldustöö. Kui edasimüüjal, kellelt toote ostsite, pole hooldustöökoda, küsige neilt teavet lähima hooldustöökoja kohta.

Lisateavet vt [www.husqvarna.com](http://www.husqvarna.com).

## Hooldusgraafik

Hooldusintervallide arvutamisel on aluseks võetud seadme igapäevane kasutamine. Intervallid muutuvad, kui seadet igapäevaselt ei kasutata.

Tärniga (\*) tähistatud hooldustööde kohta vt jaotist *Toote ohutusseadised lk 128*.

S 138l	Igal ka-sutuskor-ral	Iga kuu	Igal hooajal
Tehke üldkontroll.	X		
Puhastage toode.	X		
Kontrollige sambaeemaldusosa.	X		
Veenduge, et toote ohutusseadistel poleks defekte. *	X		
Kontrollige katteid. *	X		
Kontrollige mootori pidurikäepidet. *	X		
Kontrollige käivitustõkestit. *	X		
Veenduge, et ON/OFF nupp töötaks korralikult ja sellel poleks defekte.	X		
Veenduge, et akul poleks kahjustusi.	X		
Kontrollige aku laetust.	X		
Veenduge, et aku vabastusnupud töötaksid korralikult ning et aku lukustuks kindlalt seadme külge.	X		
Veenduge, et akulaadijal poleks kahjustusi ja et see töötaks korrektselt.		X	
Kontrollige aku ja seadme vahelisi ühendusi. Samuti kontrollige aku ja akulaadija vahelisi ühendusi.			X

## Üldkontrolli läbiviimine

- Veenduge, et toote mutrid ja kruvid oleksid pingutatud.
- Veenduge, et toote juhtmed ei oleks sellises asendis, kus need võiksid kahjustada saada.

## Toote puhastamine

- Puhastage plastosi puhta ja kuiva lapiga.
- Ärge puhastage seadet veega. Vesi võib pääseda aku või mootori sisse ja põhjustada lühise või kahjustada toodet.
- Ärge kasutage seadme puhastamiseks survepesurit.
- Ärge valage vett otse mootorile.
- Eemaldage lehed, muru ja pori harja abil.

## Aku ja akulaadija puhastamine



**HOIATUS:** Ärge puhastage akut või akulaadijat veega.



**HOIATUS:** Ärge kasutage aku puhastamiseks mis tahes kemikaale.

- Enne aku asetamist akulaadijasse veenduge, et aku ja akulaadija oleksid puhtad ja kuivad.
- Puhastage akuklemmid suruõhu või pehme ja kuiva riidelapiga.

- Puhastage aku ja akulaadija välispinnad pehme ja kuiva riidelapiga.

## Samblaeemaldusosa kontrollimine



**HOIATUS:** Juhusliku käivitumise vältimiseks keerake ohutusüliliti asendisse 0, eemaldage aku ja oodake vähemalt viis sekundit.



**HOIATUS:** Samblaeemaldusosa hooldamisel kandke kaitsekindaid. Samblaeemaldusosa piid on väga teravad ja võivad kergesti põhjustada löikehaavu.

- Kontrollige samblaeemaldusosa kahjustuste ja mõrade suhtes. Kahjustatud samblaeemaldusosa tuleb alati välja vahetada.

## Samblaeemaldusosa vahetamine



**HOIATUS:** Samblaeemaldusosa hooldamisel kandke kaitsekindaid. Samblaeemaldusosa on väga terav ja võib kergesti põhjustada löikevigastusi.

1. Asetage toode selle paremale küljele. (Joon. 40)
2. Eemaldage kruvid (A) ja samblaeemaldusosa luuk (B). Lükake samblaeemaldusosa (C) eemaldamiseks ülesse ja võtke välja. (Joon. 41)
3. Lükake uus samblaeemaldusosa (C) soonde ja oma pessa. Kinnitage samblaeemaldusosa kate (B) ja kaks kruvi (A). (Joon. 42)

## Veaotsing

### Aku

Aku LED-tuli	Põhjus	Lahendus
Roheline LED-tuli vilgub.	Akupinge on madal.	Laadige akut. Vt jaotisest <i>Aku laadimine lk 131</i> .
Aku tõrke LED-tuli vilgub.	Aku on kasutamiseks liiga külm või liiga kuum.	Laske akul jahtuda või pange see siseruumi soojenema. Kui aku on saavutanud õige temperatuuri, saab seda uuesti kasutada. Kasutage toote akut üksnes juhul, kui õhutemperatuur on vahemikus 5 °C kuni 40 °C.
	Aku on tühi.	Laadige akut. Vt jaotisest <i>Aku laadimine lk 131</i> .
Süttib aku tõrke LED-tuli.	Esineb püsiv akutõrge.	Pöörduge Husqvarna hooldusesindusse.

### Akulaadija

Akulaadija LED-tuli	Põhjus	Lahendus
Tõrke LED-tuli vilgub või süttib.	Akulaadija on kasutamiseks liiga külm või liiga kuum.	Laske akulaadijal jahtuda või pange see siseruumi soojenema. Kui akulaadija on saavutanud õige temperatuuri, saab seda uuesti kasutada. Kasutage akulaadijat, kui õhutemperatuur on vahemikus 5 °C kuni 40 °C.
	Muud tõrked.	Pöörduge Husqvarna hooldusesindusse.

## Juhtpaneel

Tõrge	Tõrkekood (vilku- miste arv)	Võimalikud tõrked	Võimalik lahendus
Tõrke LED-tuli vilgub	3	Mootori ülekoormus	Töösügavuse vähendamine Vt jaotisest <i>Töösügavuse seadistamine lk 130</i> . Kui tõrke LED-tuli jätkab vilkumist, siis on samblaeemaldusosa blokeeritud. Juhusliku käivitumise vältimiseks keerake ohutuslüli asendisse 0, eemaldage aku ja oodake vähemalt viis sekundit. Veenduge, et samblaeemaldusosa saab vabalt liikuda. Probleemi püsimise korral võtke ühendust volitatud hooldustöökojaga.
	5	Mootori kiirus langeb liigselt ja mootor seiskub.	
	9	Mootori juhtseade on liiga kuum.	Seisake mootor ja oodake, kuni see on jahtunud.
	7	Aku tõrge või aku signaali pole.	Asetage aku õigesti seadmesse ja kontrollige akukonektorit. Kui aku tõrke LED-tuli vilgub, vt <i>Aku lk 133</i> .
Toode seiskub	6	Aku on tühjenenud.	Laadige akut. Vt jaotisest <i>Aku laadimine lk 131</i> .
	Ei vilgu.	Akukonectori tõrge.	Kontrollige akukonektorit.
Muud tõrked	Muude tõrgete ilmumise korral keerake ohutuslüli asendisse 0, eemaldage aku ja võtke ühendust volitatud hooldustöökojaga.		

## Transportimine, hoiepanek ja utiliseerimine

### Sissejuhatus



**HOIATUS:** Transportimise ja hoiustamise ajal juhusliku käivitumise vältimiseks keerake ohutuslüli asendisse 0, eemaldage aku ja oodake vähemalt viis sekundit.

### Transportimine

- Liitium-ioonakudele kehtivad ohtlike kaupade veonõuded.
- Kaubandusliku transpordi korral tuleb järgida pakendamise ja märgistamise erinõudeid.
- Toote transportimiseks ettevalmistamisel järgige kindlasti ohtlike ainetele kehtivaid eeskirju. Kehtida võivad ka kohalikud eeskirjad.
- Transpordi ajaks tuleb aku alati eemaldada.
- Katke akukonektorid isoleerteibiga ja veenduge, et aku ei saaks transportimise ajal liikuma hakata.
- Kinnitage seade transportimise ajaks.

### Hoiustamine

- Hoiustamise ajaks tuleb akud alati eemaldada.
- Enne hoiustamist laske seadmel maha jahtuda.
- Õnnetuste vältimiseks veenduge, et aku ja seade poleks hoiustamise ajal ühendatud.
- Hoidke akulaadijat suletud ja kuivas kohas.
- Hoidke akut ja akulaadijat kuivas kohas, kus pole niiskust ja miinuskraade.
- Ladustamise ajaks lahutage aku akulaadija küljest.
- Ärge hoidke akut kohas, kus võib tekkida staatilise elekter. Ärge hoidke akut metallkastis.
- Hoidke toodet kohas, kus õhutemperatuur jääb vahemikku  $-10\text{ °C}$  kuni  $40\text{ °C}$ .
- Hoidke akut kohas, mille temperatuur jääb vahemikku  $5\text{ kuni }25\text{ °C}$ , ja kuhu ei paista otsene päikesevalgus.
- Hoidke akulaadijat kohas, mille temperatuur jääb vahemikku  $5\text{ kuni }45\text{ °C}$ , ja kuhu ei paista otsene päikesevalgus.
- Enne aku pikemaajalist hoiustamist laadige see 30–50% ulatuses täis.

- Hoidke seadet, akut ja akulaadidjat suletud ruumis, kuhu ei pääse lapsed ja volitamata kõrvalised isikud.
- Puhastage toode ja veenduge, et rohkukogur oleks tühi.
- Tehke kasutusjuhendis toodud hooldustoimingud. Vt jaotisest *Hooldusgraafik lk 132*.
- Tehke täielik hooldus enne pikaajalist hoiustamist.

toimetada ettenähtud vastuvõtupunkti, kus elektri- ja elektroonikaseadmed võetakse uuesti ringlusesse.

Hooldistesed toote eest õigel viisil aitade vähendada võimalikke negatiivseid mõjusid keskkonnale ja inimestele, mis võivad avalduda toote vale käitlemise korral. Lisateabe saamiseks toote ringlussevõtu kohta pöörduge vastava kohaliku ametkonna, jäätmeäitlusettevõtte või toote müünud kaupluse poole.

(Joon. 43)

## Kõrvaldamine

Tootel või selle pakendil olevad sümbolid viitavad, et toodet ei tohi visata olmeprügi hulka. See tuleb

## Tehnilised andmed

### Tehnilised andmed

<b>S 138i</b>	
<b>Mootor</b>	
Mootori tüüp	BLDC (harjadeta) 36 V
Samblaemaldusosa pöörlemisagedus – SavE, p/min	3000
Samblaemaldusosa pöörlemisagedus – nimisagedus, p/min	3200
Mootori väljundvõimsus – max kW	1,28
Mootori väljundvõimsus – nimivõimsus, kW	0,9
<b>Kaal</b>	
Mass ilma kotita (v.a aku), kg	19,5
Mass koos kotiga (sh üks BLi30), kg	23
<b>Aku</b>	
Aku tüüp	Husqvarna Akuseeria
<b>Aku tööaeg</b>	
Aku tööaeg, min. (vabajooksul) SavE on aktiveeritud, ühe Husqvarna 7,5 Ah akuga (BLi30).	195
Aku tööaeg, min. (vabajooksul) standardrežiim on aktiveeritud, ühe Husqvarna 7,5 Ah akuga (BLi30).	175
<b>Müratasemed</b> <sup>22</sup>	
Helivõimsuse tase, mõõdetud dB(A)	89
Helivõimsuse tase, garanteeritud L <sub>WA</sub> dB(A)	91
<b>Helitasemed</b> <sup>23</sup>	
Helirõhutase kasutaja kõrva juures, dB(A)	75

<sup>22</sup> Mürasemioon ümbritsevasse keskkonda, mõõdetud helivõimsuse tasemenähtena (L<sub>WA</sub>) vastavalt EÜ direktiivile 2000/14/EÜ

<sup>23</sup> Helirõhu taseme kohta esitatud andmete määramatuse tegur (K) on 1,5 dB (A).

<b>S 138i</b>	
<b>Vibratsioonitase</b> <sup>24</sup>	
Käepide, m/s <sup>2</sup>	5,5
<b>Töö</b>	
Maks/min töösügavus, mm	-8/+5
Töölaius, cm	37,5
Lõiketera piide lisatarvik	5973510-01
Vedrupiid	5973509-01
Rohukoguri maht, l	45

Heakskidetud akud	Tüüp	Aku mahtuvus, Ah	Pinge, V	Kaal, kg
BLi30	Liitiumioonaku	7,5	36	1,9
40-B140	Liitiumioonaku	4,0	36	1,2

Määratletud akude heakskidetud akulaadijad, BLi	Sisendpinge, V	Sagedus, Hz	Võimsus, W
40-C80	100-240	50-60	68,8
QC250	220-240	50	250

<sup>24</sup> Vibratsioonitasemete kohta esitatud andmete määramatuse tegur (K) on 1,5 m/s<sup>2</sup>. Esitatud vibratsiooni koguväärtust on mõõdetud vastavalt standardi EN 62841-4-7 lisale I ning seda võidakse kasutada masinate omavaheliseks võrdlemiseks ja kokkupuute esialgseks hindamiseks.



---

## Vastavusdeklaratsioon

---

## EÜ vastavusdeklaratsioon

Husqvarna AB, SE-561 82 Huskvarna, Rootsi, tel: +46  
3614 6500, kinnitab ainuvastutusel, et toode:

<b>Kirjeldus</b>	Pinnasefrees
<b>Kaubamärk</b>	Husqvarna
<b>Tüüp/mudel</b>	S 138i
<b>Identifitseerimine</b>	Seerianumbrid alates 2023. aastast ja hilisemad

vastab täielikult järgmistele EÜ direktiividele ja määrustele:

Direktiiv/eeskiri	Kirjeldus
2011/65/EL	„elektri- ja elektroonikaseadmetes teatavate ohtlike ainete kasutamise piiramise direktiiv“
2006/42/EÜ	„masinadirektiiv“
2014/30/EL	„elektromagnetilise ühilduvuse direktiiv“
2000/14/EÜ	„seadmete müra kohta käiv direktiiv“

ja et kohalduvad järgmised standardid ja/või tehnilised spetsifikatsioonid: EN 62841-1:2015/A11:2022, EN IEC 62841-4-7:2022/A11:2022, EN ISO 12100:2010, EN 55014-1:2017/A11:2020, EN 55014-2:2015, EN IEC 63000:2018.

Lisateavet mürataseme kohta vt jaotisest *Tehnilised andmed lk 135*.

Huskvarna, 2023-12-30



Claes Losdal

Aiandustoodete arendusdirektor

Husqvarna AB

Tehnilise dokumentatsiooni eest vastutaja



---

## Sisällys

---

Johdanto.....	139	Vianmäärittäminen.....	148
Turvallisuus.....	140	Kuljettaminen, säilyttäminen ja hävittäminen.....	149
Asentaminen.....	145	Tekniset tiedot.....	150
Käyttö.....	145	Vaatimustenmukaisuusvakuutus.....	152
Huolto.....	147		

---

## Johdanto

---

### Tuotekuvaus

Laite on kävellen ohjattava sähkökäyttöinen pintailmaaja. Laite poistaa tiivistyneen leikkuujätteen nurmikolta ja möyhentää maata, jotta ilma ja vesi pääsevät maaperään. Tiivistynyt leikkuujäte kerätään ruohonkerääjään tai levitetään nurmikolle. Laitteessa on kaksi erilaista pintailmaajavarustusta.

### Pintailmaajavarustus

Tietoja pintailmaajavarustuksen vaihtamisesta on kohdassa *Pintailmaajavarustuksen vaihtaminen sivulla 148*.

### Teräpiikit

Teräpiikit irrottavat tiivistyneen leikkuujätteen ja leikkaavat ruohojen juuret pystysuunnassa. Käytä

teräpiikkejä rinteissä, penkereillä ja savipitoisella maaperällä. Teräpiikit päästävät veden nurmikon maaperään ja estävät veden kerääntymistä maan pinnalle.

(Kuva 17)

### Jousipiikit

Jousipiikit poistavat kuolleen ruohon ja tiivistyneen leikkuujätteen nurmikolta vahingoittamatta ruohon juuria.

(Kuva 18)

### Käyttötarkoitus

Poista tiivistynyt leikkuujäte ja sammal ja möyhennä maata yksityisissä puutarhoissa. Älä käytä laitetta muihin tehtäviin.

### Tuotteen kuvaus

(Kuva 1)

1. Moottorin jarrukahva
2. Ylempi työntöaisa
3. Ohjauspaneeli
4. Käynnistyksenesto
5. Alempi työntöaisa
6. Ruohonkerääjä
7. Takasuojus
8. Pintailmaajan suojuus
9. Akun kansi
10. Työskentelysivyyden säätönappi
11. Turva-avain
12. Virran merkkivalo
13. Virtapainike
14. SavE-painike
15. SavE-merkkivalo
16. Akun varaustilan ilmaisin ja akkupunainen
17. Jousipiikit
18. Akku (lisävaruste)
19. Akkulaturi (lisävaruste)
20. Kuusiokoloavain
21. Käyttöohje

### Tuotteen symbolit

(Kuva 2) VAROITUS

(Kuva 3) Lue ohjeet.

(Kuva 4) VAROITUS – Varo sinkoutuvia esineitä.

(Kuva 5) Pidä sivulliset loitolla.

(Kuva 6) VAROITUS – Pidä kätesi ja jalkasi poissa piikkien läheisyydestä.

(Kuva 7) Irrota akku ennen huoltotoimenpiteitä.

(Kuva 8) Ei saa altistaa sateelle.

(Kuva 9) Tuote on suojattu roiskavalta vedeltä.

(Kuva 10) Tämä tuote täyttää sovellettavien EY-direktiivien vaatimukset.

(Kuva 11) Tämä tuote täyttää sovellettavissa olevien UK-säädösten vaatimukset.

(Kuva 12) Melupäästöt ympäristöön -tarra EU:n ja Yhdistyneen kuningaskunnan direkttiivien ja säädösten mukaisesti sekä Uuden Etelä-Walesin "Protection of the Environment Operations (Noise Control) Regulation 2017" -asetuksen mukaisesti. Tuotteen taattu äänentehotaso on määritelty kohdassa *Tekniset tiedot sivulla 150* ja arvokilvessä.

(Kuva 15) Vie tämä laite asianmukaiseen sähkö- ja elektroniikkalaitteiden keräyspisteeseen. (Vain Eurooppa)

(Kuva 16) Käynnistäminen: paina virtapainiketta, avaa käynnistyksenesto ja paina moottorin jarrukahva alas.

(Kuva 13) Pysäytä vapauttamalla moottorin jarrukahva.

(Kuva 14) Skannattava koodi.

**Huomautus:** Muita laitteiden symboleita/tarroja tarvitaan joillakin markkina-alueilla ilmaisemaan sertifiointivaatimuksia.

## Tuotteen vaurioituminen

Emme ole vastuussa tuotteen vaurioitumisesta, jos:

- tuote on korjattu virheellisesti
- tuotteen korjaamiseen on käytetty muita kuin valmistajan omia tai sen hyväksymiä osia
- tuotteessa on muu kuin valmistajan oma tai sen hyväksymä lisävaruste
- tuotetta ei ole korjattu valtuutetussa huoltopisteessä tai hyväksytyllä asiantuntijalla.

## Turvallisuus

### Turvallisuusmääritelmät

Varoituksia, huomioita ja huomautuksia käytetään, kun jotakin käyttöohjeen osaa halutaan erityisesti korostaa.



**VAROITUS:** Tätä käytetään, jos käyttöohjeen noudattamatta jättämisestä voi seurata käyttäjän tai sivullisen vamma tai kuolema.



**HUOMAUTUS:** Tätä käytetään, jos käyttöohjeen noudattamatta jättämisestä voi seurata koneen, muiden materiaalien tai ympäristön vaurioituminen.

**Huomautus:** Tätä käytetään tietyissä tilanteissa tarvittavien lisätietojen antamiseen.

### Yleiset tuoteturvavaroitukset



**VAROITUS: Lue kaikki tämän laitteen mukana tulevat turvavaroitukset, ohjeet, kuvat ja tekniset tiedot.** Alla olevien ohjeiden noudattamatta jättäminen voi johtaa sähköiskuun, tulipaloon ja/tai vakavaan tapaturmaan.

**Säästä kaikki varoitukset ja ohjeet tulevaa käyttöä varten.** Termillä "laite" tarkoitetaan varoituksissa verkkosähköllä toimivaa (johdollista) laitetta tai akkukäyttöistä (johdotonta) laitetta.

### Työalueen turvallisuus

- **Pidä työalue siistinä ja hyvin valaistuna.** Sotkuiset tai hämärät alueet ovat alttiita onnettomuuksille.
- **Älä käytä laitetta räjähdysriskissä ympäristössä, esimerkiksi herkästi syttyvien nesteiden, kaasujen tai pölyn läheisyydessä.** Laitteesta lähtevät kipinät voivat sytyttää pölyn tai kaasut.
- **Pidä lapset ja sivulliset poissa, kun käytät laitetta.** Häiriöt voivat saada sinut menettämään työkalun hallinnan.

### Henkilökohtainen turvallisuus

- **Pysy valppaana, katso mitä teet ja käytä tervettä järkeä käyttäessäsi laitetta. Älä käytä laitetta väsyneenä tai alkoholin, huumeiden tai lääkityksen vaikutuksen alaisena.** Hetken epähuomio laitteita käytettäessä voi johtaa vakavaan henkilövahinkoon.
- **Käytä henkilökohtaisia suojarusteita. Pidä aina silmäsuojia.** Hengityssuojain, luistamattomat turvakengät, kypärä, kuulosuojaimet ja muut suojarusteet niitä vaativissa oloissa käytettynä vähentävät henkilövahinkoja.
- **Estä tahaton käynnistyminen. Varmista, että katkaisin on OFF-asennossa ennen virtalähteen ja/tai akun kytkemistä, laitteeseen tarttumista tai sen kantamista.** Laitteiden kantaminen sormi kytkimellä tai virran kytkeminen laitteeseen, kun kytkin on käyttöasennossa, altistaa onnettomuuksille.
- **Irota mahdolliset säätöavaimet ennen virran kytkemistä laitteeseen.** Laitteen pyörivään osaan kiinnitetty avain voi aiheuttaa henkilövahingon.
- **Älä kurota. Säilytä aina tukeva asento ja tasapaino.** Tämä mahdollistaa laitteen paremman hallinnan odottamattomissa tilanteissa.

- **Pukeudu oikein.** Älä käytä löysästi istuvia vaatteita tai koruja. Pidä hiukset ja vaatteet etäällä liikkuvista osista. Löysät vaatteet, korut tai pitkät hiukset voivat tarttua liikkuviin osiin.
- **Jos käytettävissä on kytkentämahdollisuus pölynpoistojärjestelmälle, varmista, että se kytketään ja että sitä käytetään oikein.** Pölynpoistojärjestelmän käyttö voi vähentää pölyyn liittyviä riskejä.
- **Vaikka olisit käyttänyt laitteita usein ja tuntisit ne hyvin, muista aina ottaa huomioon laitteen turvamääräykset.** Huolimaton toiminta voi aiheuttaa vakavia vahinkoja sekunnin murto-osassa.
- **Kun akkua ei käytetä, pidä se etäällä metalliesineistä, kuten paperiliittimistä, kolikoista, avaimista, nauloista, ruuveista tai muista pienistä metalliesineistä, jotka saattavat aiheuttaa kosketuksen liittinten välillä.** Akkuliitinten saattaminen keskenään oikosulkuun voi aiheuttaa palovammoja tai tulipalon.
- **Akkusta voi tihkua nestettä väärissä olosuhteissa.** Vältä kosketusta akkunesteeseen. Jos akkunestettä joutuu iholle, huuhtele ihoalue vedellä. Jos neste joutuu kosketuksiin silmien kanssa, ota myös yhteys lääkäriin. Akkuneste voi aiheuttaa ihoärsytystä tai palovammoja.

## Laitteen käyttäminen ja huoltaminen

- **Älä käytä laitetta väkisin.** Käytä käyttötarkoitukseen sopivaa laitetta. Oikea laite tekee työn paremmin ja turvallisemmin nopeudella, jota varten se on suunniteltu.
- **Älä käytä laitetta, jos virtaa ei voi kytkeä ja katkaista virtakytkimellä.** Mikä tahansa laite, jota ei voi hallita virtakytkimellä, on vaarallinen, ja se pitää korjata.
- **Irrota pistoke pistorasiasta ja/tai akku laitteesta, mikäli mahdollista, ennen kuin teet mitään säätöjä, vaihdat lisävarusteita tai varastoit laitetta.** Nämä ennakoivat turvatoimet vähentävät laitteen vahingossa käynnistymisen vaaraa.
- **Varastoi käyttämättömät laitteet pois lasten ulottuvilta äläkä anna henkilöiden, jotka eivät tunne laitetta tai näitä ohjeita, käyttää laitetta.** Laitteet ovat vaarallisia taitamattomien käyttäjien käsissä.
- **Pidä laitteet ja lisävarusteet hyvässä kunnossa.** Tarkista, etteivät liikkuvat osat ole pois kohdaltaan tai juuttuneet, että mikään osa ei ole rikkoutunut ja että mikään muu olosuhde ei vaikuta laitteen toimintaan. Jos laite on vahingoittunut, korjauta se ennen käyttöä. Monet onnettomuudet johtuvat huonosti huolletusta laitteesta.
- **Pidä leikkaustyökalut terävinä ja puhtaina.** Oikein huolletut leikkaustyökalut, joiden leikkausreunat ovat terävät, eivät juutu kiinni niin helposti ja ovat helpommin hallittavissa.
- **Käytä laitetta, lisävarusteita, teriä jne. näiden ohjeiden mukaisesti ottaen huomioon työskentelyolosuhteet ja suoritettavan työn laadun.** Laitteen käyttäminen ennakoidusta poikkeavissa olosuhteissa voi johtaa vaaratilanteeseen.
- **Pidä kahvat ja tarttumapinnat kuivina, puhtaina ja öljöttöminä sekä puhtaana vasellinista.** Liukkaat kahvat ja tarttumapinnat eivät mahdollista laitteen turvallista käsittelyä ja hallintaa odottamattomissa tilanteissa.

## Akkukäyttöisten työkalujen käyttö ja huolto

- **Lataa akku ainoastaan valmistajan tarkoitukseen nimeämällä laturilla.** Tietynlaiseen akustoon soveltuva laturi voi aiheuttaa toisen akuston lataamiseen käytettynä tulipalon vaaran.
- **Liitä tuotteisiin ainoastaan niissä käytettäviksi hyväksytyt akkuja.** Muunlaisten akkujen käyttö voi aiheuttaa tapaturmien tai tulipalon vaaran.

- **Anna laitteen korjaamisen pätevän korjaajan tehtäväksi. Koneessa saa käyttää vain täysin samanlaisia varaosia.** Näin taataan, että laitteen käyttöturvallisuus säilyy ennallaan.
- **Älä koskaan huolla vahingoittuneita akkuja.** Akkuja saavat huoltaa vain valmistaja ja valtuutetut palveluntarjoajat.
- **Älä käytä vaurioitunutta tai muutettua akkua tai työkalua.** Pois tuotteesta käytetään vaurioituneita tai muutettuja akkuja, tuote ei välttämättä toimi asianmukaisesti. Seurauksena saattaa olla tulipalo, räjähdys tai tapaturma.
- **Älä altista akkua tai työkalua tulelle tai korkeille lämpötiloille.** Laitteen altistuminen tulelle tai yli 130 °C:n lämpötilalle voi aiheuttaa räjähdyksen.
- **Noudata kaikkia latausohjeita äläkä lataa akkua tai työkalua ohjeissa määritetyn lämpötila-alueen ulkopuolella.** Akun lataaminen väärin tai sallituista lämpötiloista poikkeavissa olosuhteissa voi vahingoittaa akkua ja lisätä tulipalorisikää.

## Palvelu

- **Anna laitteen korjaamisen pätevän korjaajan tehtäväksi. Koneessa saa käyttää vain täysin samanlaisia varaosia.** Näin taataan, että laitteen käyttöturvallisuus säilyy ennallaan.
- **Älä koskaan huolla vahingoittuneita akkuja.** Akkuja saavat huoltaa vain valmistaja ja valtuutetut palveluntarjoajat.

## Tuotteen turvavaroitukset

- **Älä käytä tuotetta huonoissa sääolosuhteissa, etenkin jos salamointi on mahdollista.** Näin pienennät salamaiskujen riskiä.
- **Tarkista perusteellisesti ettei tuotteen käyttöalueella ole eläviä luontokappaleita.** Luontokappaleet voivat loukkaantua tuotteen käytön aikana.
- **Tarkista tuotteen käyttöalue huolellisesti ennen käyttöä ja poista kaikki kivet, risut, johdot, luut ja muut vierasesineet.** Sinkoutuvat esineet voivat aiheuttaa henkilövahinkoja.
- **Tarkasta aina ennen tuotteen käyttöä silmämääräisesti, että piikit ja piikkikokoonpano eivät ole kuluneet tai vaurioituneet.** Vaurioituneet tai kuluneet osat lisäävät loukkaantumisvaaraa.
- **Tarkasta ruohonkerääjä usein kulumisen tai heikkenemisen varalta.** Kulunut tai vaurioitunut ruohonkerääjä voi lisätä loukkaantumisriskiä.
- **Pidä suojukset paikoillaan. Suojusten on oltava toimintakunnossa ja oikein asennettuina.** Irrallinen, vaurioitunut tai huonosti toimiva suojus voi aiheuttaa henkilövahinkoja.

- **Pidä kaikki jäähdytysilman tuloaukot puhtaina roskista.** Tukkeutuneet tuloaukot ja roskat voivat aiheuttaa ylikuumentumista tai tulipalon vaaran.
- **Käytä tuotteen käytön aikana aina luistamattomia suojajalkineita. Älä käytä tuotetta avojaloin tai sandaalit jalassa.** Tämä vähentää jalkojen loukkaantumisen vaaraa, jos ne osuvat liikkuviin piikkeihin.
- **Käytä pitkiä housuja aina tuotetta käyttäessäsi.** Paljas iho lisää lentävistä esineistä aiheutuvan loukkaantumisen todennäköisyyttä.
- **Älä käytä tuotetta märällä nummikolla. Liiku kävelyvauhtia, älä juosten.** Tämä vähentää liukastumisen ja kaatumisen vaaraa, josta voi aiheutua henkilövahinkoja.
- **Älä käytä tuotetta hyvin jyrkissä rinteissä.** Tämä vähentää hallinnan menettämisen, liukastumisen ja kaatumisen vaaraa, josta voi aiheutua henkilövahinkoja.
- **Kun työskentelet rinteessä, pidä jalkasi tukevasti maassa. Käytä konetta aina sivusuunnassa rinteeseen nähden äläkä koskaan ala- tai yläsuunnassa. Ole erittäin varovainen, kun vaihdat suuntaa.** Tämä vähentää hallinnan menettämisen, liukastumisen ja kaatumisen vaaraa, josta voi aiheutua henkilövahinkoja.
- **Noudata äärimmäistä varovaisuutta, kun peruutat tai vedät tuotetta itseesi päin. Tarkkaile aina ympäristöäsi.** Tämä vähentää kompastumisriskiä käytön aikana.
- **Pitele tuotetta vain eristetystä tarttumapinnasta, koska piikit voivat osua piilotettuihin johtoihin tai tuotteen omaan johtoon.** Jos piikit koskettavat jännitteistä johtoa, koneen suojaamattomat metallipinnat saattavat tulla jännitteisiksi ja aiheuttaa käyttäjälle sähköiskun.
- **Älä koske piikkeihin tai muihin vaarallisiin liikkuviin osiin, kun ne liikkuvat.** Tämä vähentää liikkuvista osista aiheutuvan loukkaantumisen riskiä.
- **Kun irrotat juuttunutta materiaalia tai puhdistat tuotetta, varmista, että kaikki virtakytkimet on asetettu OFF-asentoon ja että akku on irrotettu.** Tuotteen odottamaton käynnistyminen voi aiheuttaa vakavia henkilövahinkoja.

## Yleiset turvallisuusohjeet



**VAROITUS:** Lue seuraavat varoitukset ennen tuotteen käyttöä.

- Tämä laite on vaarallinen, jos sitä käytetään huolimattomasti tai virheellisesti. Turvaohjeiden noudattamatta jättäminen voi aiheuttaa vammoja tai kuoleman.
- Tuote muodostaa käytön aikana sähkömagneettisen kentän. Kenttä saattaa joissakin olosuhteissa häiritä aktiivisten tai passiivisten lääketieteellisten implanttien toimintaa. Vakavien tai hengenvaarallisten tapaturmien ehkäisemiseksi

- kehotamme lääketieteellisiä implantteja käyttäviä henkilöitä neuvottelemaan lääkärin ja lääketieteellisen implantin valmistajan kanssa ennen tuotteen käyttämistä.
- Ole aina varovainen ja käytä tervettä järkeä. Jos et ole varma, miten tuotetta käytetään erityistilanteessa, sammuta tuote ja ota yhteys Husqvarna-jälleenmyyjään, ennen kuin jatkat.
- Muista, että käyttäjä on vastuussa muille ihmisille tai heidän omaisuudelleen aiheutuvista vahingoista.
- Pidä laite puhtaana. Varmista, että tuotteen merkit ja tarrat ovat luettavissa.
- Älä anna lasten tai henkilöiden, jotka eivät ole tutustuneet näihin ohjeisiin, käyttää laitetta. Paikalliset määräykset saattavat rajoittaa käyttäjän ikää.
- Valvo aina laitetta käyttävää henkilöä, jonka fyysiset tai psyykkiset kyvyt ovat heikentyneet. Vastuullisen aikuisen on oltava aina paikalla.
- Älä käytä laitetta jos olet väsynyt tai sairas tai alkoholin, huumaavien aineiden tai lääkkeiden vaikutuksen alaisena. Niillä on negatiivinen vaikutus näkökykyysi, vireytesi, harkintakykyysi ja kehosi hallintaan.
- Älä käytä tuotetta, jos se on vahingoittunut tai jos se ei toimi oikein.
- Älä tee koneeseen muutoksia tai käytä konetta, mikäli epäilet jonkun muun muuttaneen sitä.

## Työturvallisuus



**VAROITUS:** Lue seuraavat varoitukset ennen tuotteen käyttöä.

- Käytä tätä tuotetta vain tiivistyneen leikkujätteen ja sammalen poistamiseen nurmikoilta. Tuotteita ei saa käyttää muihin käyttötarkoituksiin.
- Käytä henkilökohtaisia suojarusteita. Katso kohdasta *Henkilökohtainen suojarustus sivulla 143*.
- Opettele pysäyttämään moottori nopeasti hätätilanteen varalta.
- Älä käytä tuotetta sateella tai märissä olosuhteissa. Tällainen käyttö lisää sähköiskun vaaraa.
- Älä käytä tuotetta, ellei sen piikkejä ja kaikkia suojuksia ole kiinnitetty asianmukaisesti. Virheellisesti kiinnitetyt piikit saattavat irrota ja aiheuttaa henkilövahinkoja.
- Varmista, etteivät piikit osu kiviin ja juuriin. Tämä voi vaurioittaa piikkejä, ja moottorin akseli voi vääntyä. Vääntynyt akseli aiheuttaa voimakasta värinää. Tällöin on erittäin suuri riski, että piikit irtoavat.
- Jos piikit osuvat esineeseen tai tuote alkaa täristä, pysäytä tuote välittömästi. Sammuta moottori, käännä turvakytin asentoon 0 ja irrota akku. Odota, kunnes liikkuvat osat pysähtyvät. Tarkista tuote vaurioiden varalta. Kiristä löystyneet osat. Korjaa

vauriot ja vaihda vaurioituneet osat. Anna huoltotyö valtuutetun huoltoliikkeen tehtäväksi.

- Älä koskaan kiinnitä moottorin jarrukahvaa pysyvästi kahvaan, kun moottori on käynnissä.
- Aseta tuote kiinteälle, tasaiselle alustalle ja käynnistä se. Varmista, etteivät piikit pääse osumaan maahan tai mihinkään esineeseen.
- Seiso aina tuotteen takana käyttäessäsi sitä.
- Pidä kaikki renkaat maassa ja molemmat kätesi työntöaisalla käyttäessäsi tuotetta. Pidä kätesi ja jalkasi poissa pyörievien piikkien läheisyydestä.
- Älä kallista tuotetta, kun käynnistät moottorin tai käytät tuotetta.
- Ole varovainen vetäessäsi tuotetta taaksepäin.
- Älä koskaan nosta tuotetta, kun moottori on käynnissä. Jos tuote on nostettava, sammuta ensin moottori, käännä turvakytin asentoon 0 ja irrota akku.
- Älä kävele taaksepäin käyttäessäsi tuotetta.
- Pysäytä moottori, kun tuotetta on kallistettava kuljetusta varten tai ennen kuin siirryt alueille, joilla ei ole ruohoa, esimerkiksi sorasta, kivistä tai asfaltista tehdyille poluille.
- Älä juokse tuotteen kanssa, kun moottori on käynnissä. Kävele aina, kun käytät tuotetta.
- Sammuta moottori ennen kuin muutat työskentelysyvyttä. Älä koskaan tee säätöjä moottorin käydessä.
- Älä koskaan jätä tuotetta ilman valvontaa moottorin käydessä. Sammuta moottori, käännä turvakytin asentoon 0 ja irrota akku. Varmista, että pintailmaajavarustus ei pyöri.
- Tuotteen käytön aikainen tärinäarvo saattaa olla eri kuin ilmoitettu tärinäarvo kohdassa *Tekniset tiedot sivulla 150*. Ero johtuu tuotteen käyttötavan vaihtelusta. Jos käytät tuotetta usein tai pitkään, pidä taukoja säännöllisesti, jotta tärinä ei aiheuta vammoja.

## Turvallisuusohjeet käyttöä varten

### Henkilökohtainen suojavarustus



**VAROITUS:** Lue seuraavat varoitusohjeet ennen laitteen käyttämistä.

- Henkilökohtaiset suojavarusteet eivät poista tapaturmien vaaraa, mutta ne lieventävät vammoja onnettomuusstilanteessa. Anna jälleenmyyjän auttaa oikeiden varusteiden valinnassa.
- Käytä kestäviä luistamattomia saappaita tai kenkiä. Älä käytä avonaisia jalkineita tai kulje paljain jaloin.
- Käytä vahvakankaisia, pitkiä housuja.
- Käytä suojakäsineitä tarvittaessa, esimerkiksi terävarustuksen asennuksen, tarkastuksen ja puhdistuksen aikana.
- Suosittelemme kuulonsuojaimien käyttöä.

### Tuotteen turvalaitteet



**VAROITUS:** Lue seuraavat varoitukset ennen tuotteen käyttöä.

- Älä käytä tuotetta vahingoittuneiden tai viallisten turvalaitteiden kanssa.
- Älä poista turvalaitteita tai tee niihin muutoksia.
- Tarkasta turvalaitteet säännöllisesti. Jos turvalaitteet ovat vahingoittuneet tai eivät toimi oikein, ota yhteyks Husqvarna-huoltoliikkeeseen.

### Suojusten tarkistaminen

Pintailmaajan suojus vähentää laitteen tärinää ja pintailmaajavarustuksen aiheuttamaa tapaturmavaaraa.

- Tarkista pintailmaajan suojus vaurioiden, kuten halkeamien, varalta.
- Tarkista takasuojus vaurioiden, kuten halkeamien, varalta.

### Moottorin jarrukahva

Moottorin jarrukahva pysäyttää moottorin. Kun moottorin jarrukahva vapautetaan, moottori pysähtyy.

Tarkista moottorin jarru käynnistämällä moottori ja vapauttamalla sitten moottorin jarrukahva. Jos moottori ei pysähdy kolmessa sekunnissa, anna valtuutetun Husqvarna-huoltoliikkeen säätää moottorin jarru.

(Kuva 19)

### Turva-avain

Turva-avain on akun kannen alla. Turva-avain kytkee moottorin tehonlähteenä käytettävän akun toimintaan.

- Tarkista turva-avaimen toiminta käynnistämällä ja sammuttamalla moottori.
- Jos turva-avain toimii oikein, moottori käynnistyy vain, kun avain on käännetty asentoon 1.

(Kuva 20)

### Käynnistykseeneston tarkistaminen

Tarkista käynnistykseenesto ja varmista, että se estää moottorin toiminnan.

1. Työnnä moottorin jarrukahvaa kahvaston suuntaan. Käynnistykseenesto pysäyttää liikkeen.
2. Työnnä käynnistykseenesto ulos. (Kuva 21)
3. Vapauta käynnistykseenesto ja varmista, että se palaa alkuasentoonsa.

### Akkuturvallisuus



**VAROITUS:** Lue seuraavat varoitukset ennen tuotteen käyttöä.

- Käytä ladattavia Husqvarna-akkuja vain yhteensopivien Husqvarna-tuotteiden virtalähteenä.

Tapaturmien välttämiseksi akkua ei saa käyttää muiden laitteiden virtalähteenä.

- Älä käytä akkuja, joita ei voi ladata.
- Sähköiskun vaara. Älä koske akun napoihin avaimella, kolikolla, ruuvilla tai muilla metalliesineillä. Tämä voi aiheuttaa akun oikosulun.
- Älä aseta esineitä akun ilma-aukkoihin.
- Pidä akku suojassa auringonvalolta, kuumuudelta ja avotulelta. Akku voi räjähtää ja aiheuttaa palo- ja/tai syöpymisvammoja.
- Suojaa akku sateelta ja kosteilta olosuhteilta.
- Älä altista akkua mikroaalloille ja korkealle paineelle.
- Älä yritä purkaa tai rikkoa akkua.
- Jos akku vuotaa, älä anna nesteen joutua kosketuksiin kehon tai silmien kanssa. Jos nestettä joutuu iholle, puhdista alue heti runsaalla vedellä ja hakeudu lääkäriin.
- Käytä tuotteen akkua ainoastaan 5–40 °C:n lämpötiloissa.
- Käytä akkulaturia ainoastaan 5–40 °C:n lämpötiloissa.
- Akku ei lataudu, jos akun lämpötila on yli 50 °C.
- Älä pese akkua tai akkulaturia vedellä. Katso kohdasta *Akku sivulla 148*.
- Älä käytä vaurioitunutta akkua.
- Säilytä akkuja varastossa kaukana metalliesineistä kuten nauloista, kolikoista ja koruista.

## Akkulaturin turvallisuus



**VAROITUS:** Lue seuraavat varoitukset ennen tuotteen käyttöä.

- Käytä QC-akkulatureita vain Husqvarna-vara-akkujen lataukseen.
- Sähköiskun tai oikosulun vaara. Älä aseta esineitä laturin ilmarakoihin. Älä yritä purkaa akkulaturia. Älä liitä laturin liittimiä metalliesineisiin. Käytä hyväksyttyä pistorasiaa.
- Tuote muodostaa käytön aikana sähkömagneettisen kentän. Kenttä saattaa joissakin olosuhteissa häiritä aktiivisten tai passiivisten lääketieteellisten implanttien toimintaa. Vakavien tai hengenvaarallisten tapaturmien ehkäisemiseksi kehotamme lääketieteellisiä implanteja käyttäviä henkilöitä neuvottelemaan lääkärin ja lääketieteellisen implantin valmistajan kanssa ennen laitteen käyttämistä.
- Tarkista säännöllisesti, että akkulaturin virtajohto ei ole vaurioitunut ja ettei siinä ole murtumia.
- Älä nosta akkulaturia virtajohdosta. Irrota akkulaturi pistorasiasta vetämällä pistoke ulos. Älä vedä virtajohdosta.
- Pidä virtajohto ja jatkojohdot poissa veden, öljyn ja irtavien reunojen ulottuvilta. Pidä huolta, ettei kaapeli kiristy ovien, aitojen tai muiden vastaavien esineiden kohdalla. Se voi muuttaa laturin jännitteelliseksi.

- Älä puhdista akkulaturia vedellä.
- Yli 8-vuotiaat lapset ja henkilöt, joiden fyysinen, sensorinen tai henkinen toimintakyky on alentunut tai joilla ei ole riittävää kokemusta tai taitoja laitteen käyttöön, saavat käyttää akkulaturia, mikäli he ovat saaneet ohjausta tai ohjeita akkulaturin turvallisesta käytöstä ja ymmärtävät siihen liittyvät vaarat. Lapset eivät saa leikkiä akkulaturilla. Lapset eivät saa puhdistaa tai huoltaa laturia ilman valvontaa.
- Älä lataa akkulaturilla akkuja, jotka eivät sovellu uudelleenlataukseen.
- Älä käytä akkulaturia herkästi syttyvien materiaalien tai syöpymistä aiheuttavien materiaalien lähellä. Älä peitä akkulaturia. Jos havaitset savua tai tulta, irrota akkulaturin pistoke pistorasiasta.
- Älä käytä viallista tai vaurioitunutta akkulaturia.
- Lataa akkua vain sisätiloissa poissa auringonvalosta ja tilassa, jossa on hyvä ilmanvaihto. Älä lataa akkua määritetyissä olosuhteissa.

## Kunnossapitoon liittyvät turvallisuusohjeet



**VAROITUS:** Lue seuraavat varoitukset ennen tuotteen käyttöä.

- Jotta tuote ei käynnisty vahingossa huollon aikana, käännä turvakytin asentoon 0 ja irrota akku. Odota vähintään viisi sekuntia ennen huollon aloittamista.
- Tuotteen oikeanlainen huoltaminen pidentää sen käyttöikää ja pienentää onnettomuusvaaraa. Anna huoltotyö valtuutetun huoltoliikkeen tehtäväksi. Kysy lisätietoja lähimmästä huoltoliikkeestä.
- Tee tuotteelle ainoastaan käyttöohjekirjassa mainitut huolto- ja toimenpiteet. Laajimmat toimenpiteet on teetettävä valtuutetussa huoltoliikkeessä.
- Älä poista turvalaitteita tai tee niihin muutoksia, koska se voi johtaa loukkaantumiseen.
- Käytä työrukkasia, kun käsittelet pintailmaajavarustusta. Pintailmaajavarustus on erittäin terävä ja aiheuttaa helposti haavoja.
- Pidä pintailmaajavarustuksen piikit terävinä ja puhtaina, jotta tuotteen suorituskyky ja turvallisuus pysyvät mahdollisimman hyvänä.
- Anna huoltoliikkeen tarkastaa tuote säännöllisesti ja tarvittaessa säätää ja korjata se.
- Vaihda vaurioituneet, kuluneet tai rikkoutuneet osat. Käytä aina valmistajan alkuperäisiä varaosia. Muut varosat voivat vahingoittaa tuotetta ja lisätä onnettomuusriskiä.
- Noudata lisävarusteiden vaihtoa koskevia ohjeita. Käytä ainoastaan valmistajan lisävarusteita.
- Kun tuotetta ei käytetä, säilytä se, akku ja akkulaturi erillään toisistaan kuivassa ja lukitussa sisätilassa. Varmista, että lapset ja asiattomat henkilöt eivät pääse käsiksi tuotteeseen, akkuun tai akkulaturiin.



# Asentaminen

## Johdanto



**VAROITUS:** Ennen kuin kokoat tuotteen, lue turvallisuutta koskeva luku.



**VAROITUS:** Jotta tuote ei käynnisty vahingossa asennuksen aikana, käännä turva-avain asentoon 0, irrota akku ja odota vähintään viisi sekuntia.

## Kahvan asentaminen

1. Irrota alemmat nupit.
2. Liu'uta nupit urien alaosaan laitteen molemmin puolin. (Kuva 22)
3. Aseta kahvan korkeus jompaankumpaan käytettävissä olevista asennoista.

4. Liu'uta nuppeja ylöspäin kahvaa kohti, kunnes ne pysähtyvät ja kuulet naksahduksen. (Kuva 23)
5. Kiristä nupit huolellisesti.

## Ruohonkerääjän asentaminen

1. Kiinnitä ruohonkerääjän kehys keruupussiin niin, että pussin jäykkä osa on alhaalla. Pidä kehysten kahva keruupussin yläpuolella. (Kuva 24)
2. Kiinnitä ruohonkerääjän kehysten alaosa ruohonkerääjän alaosaan olevaan uraan.
3. Kiinnitä keruupussi ruohonkerääjän runkoon kiinnikkeillä. (Kuva 25)
4. Nosta takasuojus ylös.
5. Käännä ruohonkerääjä oikeaan asentoon. (Kuva 26)
6. Kiinnitä ruohonkerääjä rungon yläreunaan. Varmista, että takasuojus kiinnittyy tiukasti ruohonkerääjää vasten, eikä pääse vuotamaan. (Kuva 27)

# Käyttö

## Johdanto



**VAROITUS:** Lue turvallisuutta käsittelevä luku niin, että ymmärrät sen sisällön, ennen laitteen käyttämistä.

## Husqvarna Connect

Husqvarna Connect on ilmainen mobiililaitesovellus. Husqvarna Connect -sovellus saat lisätoimintoja Husqvarna-koneeseen:

- Enemmän tuotetietoja.
- Tietoja koneen osista ja huolto-ohjeita.

## Husqvarna Connect -käytön aloittaminen

1. Lataa Husqvarna Connect -sovellus mobiililaitteeseesi.
2. Rekisteröi Husqvarna Connect -sovelluksessa.
3. Liitä ja rekisteröi kone Husqvarna Connect -sovelluksen ohjeiden mukaan.

## Työskentelysyvyyden säätäminen



**VAROITUS:** Älä säädä työskentelysyvyyttä käyttäessäsi laitetta.

1. Paina ja käännä työskentelysyvyyden säätönuppia vastapäivään, kun haluat lisätä työskentelysyvyyttä.

2. Paina ja käännä työskentelysyvyyden säätönuppia myötäpäivään, kun haluat vähentää työskentelysyvyyttä. (Kuva 28)

## Akku



**VAROITUS:** Ennen kuin käytät akkua, lue turvallisuutta käsittelevä luku niin, että ymmärrät sen sisällön. Lue myös akun ja akkulaturin käyttöohje niin, että ymmärrät sen sisällön.

Säilytä akku ja laturi oikeassa lämpötilassa.

	Ympäristön lämpötila
Akun käyttö	5–40 °C
Akun lataaminen	5–40 °C

## Akun tila

Näyttö osoittaa akun varaustason ja mahdolliset akkuun liittyvät ongelmat. Painamalla akun varaustilan ilmaisinta näet akun varaustilan. Virheen tapahtuessa akun varoitussymboli syttyy. Katso kohdasta *Akku sivulla 148*. (Kuva 29)

LED-merkkivalot	Akun tila
Kaikki LED-merkkivalot palavat	Täysin ladattu (76–100 %)

LED-merkkivalot	Akun tila
LED 1, LED 2 ja LED 3 palavat	Akku on ladattu 51–75 prosenttiin.
LED 1 ja LED 2 palavat	Akku on ladattu 26–50 prosenttiin.
LED 1 palaa	Akku on ladattu 6–25 prosenttiin.
LED 1 vilkkuu	Akku on ladattu 0–5 prosenttiin.

## Akun lataaminen

Lataa akku ennen ensimmäistä käyttökertaa. Akun varaus on toimitettaessa vain 30 %.

**Huomautus:** Akkulaturi on kytkettävä tyypikiilven mukaiseen jännitteeseen ja taajuuteen.

Akku ei lataudu, jos akun lämpötila on yli 50 °C. Akkulaturi viilentää akkua ennen kuin se alkaa latautua.

1. Kytke akkulaturin virtajohdon toinen pää akkulaturin liitäntään.
2. Kytke sitten akkulaturin virtajohdon toinen pää maadoitettuun pistorasiaan. Akkulaturin vihreä merkkivalo vilkkuu kerran. (Kuva 30)
3. Aseta akku akkulaturiin. Laturin vihreä valo syttyy, kun akku on kytketty oikein akkulaturiin. (Kuva 31)
4. Kun akku kaikki LED-merkkivalot syttyvät, akku on ladattu täyteen. Lataa akkua enintään 24 tuntia.
5. Kun irrotat akkulaturin pistorasiasta, älä vedä johdosta, vaan pistokkeesta.
6. Irrota akku akkulaturista.

## Laitteen käynnistäminen

1. Aseta ladattu akku akun kannen alle akkutilaan numero 1. Pidennä käyttöaikaa asettamalla toinen ladattu akku akkutilaan numero 2.
2. Käännä turva-avain asentoon 1. (Kuva 32)
3. Seiso laitteen takana.
4. Paina ON/OFF-virtapainiketta (A) ohjauspaneelissa, jolloin vihreä merkkivalo (B) syttyy. (Kuva 33)
5. Avaa käynnistyskenesto. (Kuva 34)
6. Työnnä moottorin jarrukahvaa kahvaston suuntaan. (Kuva 35)

## SavE-toiminnon käyttäminen

Laitteessa on akkua säästävä toiminto (SavE), joka pidentää käyttöaikaa.

1. Käynnistä toiminto painamalla SavE-painiketta (A). Vihreä merkkivalo syttyy. (Kuva 36)
2. Sammuta toiminto painamalla uudestaan SavE-painiketta (A). Vihreä merkkivalo (B) sammuu.

## Suuri kuormitus -toiminto

Kun laitteella leikataan korkeaa tai märkää ruohoa, moottori lisää automaattisesti kierrosnopeutta. Moottori siirtyy takaisin normaaliin tilaan, kun suuri kuormitus ei ole tarpeen.

## Moottori sammuu

Käytön aikana terä ja moottori voivat pysähtyä väliaikaisesti esimerkiksi leikkuusuojuksen alla olevan ruohotukoksen vuoksi. Jos näin käy ja pidät moottorin jarrukahvaa painettuna alas, laite käynnistyy automaattisesti uudelleen. Jos laite ei käynnisty uudelleen 5–10 sekunnin kuluessa, leikkuusuojuksen alus täytyy mahdollisesti puhdistaa. Katso kohta *Laitteen puhdistaminen sivulla 147*.



**VAROITUS:** Jos moottori pysähtyy, laite yrittää käynnistyä automaattisesti uudelleen 5–10 sekunnin ajan. Odota vähintään 15 sekuntia, ennen kuin tarkistat leikkuusuojuksen.



**VAROITUS:** Ennen kuin tarkistat leikkuusuojuksen, vapauta moottorin jarrukahva, käännä turva-avain asentoon 0, irrota akku ja odota vähintään viisi sekuntia. Jos este poistetaan ja laite käynnistyy vahingossa, seurauksena on loukkaantumisvaara.

## Laitteen pysäyttäminen

Tuote sammuu automaattisesti, jos sitä ei käytetä 10 minuuttiin. Älä koskaan jätä tuotetta ilman valvontaa moottorin käydessä. Sammuta moottori, käännä turvakytin asentoon 0 ja irrota akku. Varmista, että pintailmaajavarustus ei pyöri.

1. Pysäytä moottori vapauttamalla moottorin jarrukahva. (Kuva 37)
2. Paina virtapainiketta (A) ohjauspaneelissa, jolloin vihreä merkkivalo (B) sammuu. (Kuva 33)
3. Avaa akun kansi ja käännä turva-avain asentoon 0. (Kuva 38)
4. Irrota akku painamalla kahta vapautuspainiketta samanaikaisesti ja vedä akku ulos. (Kuva 39)
5. Lataa akku, jos sen lataustaso on alhainen. Lisätietoja on kohdassa *Akun lataaminen sivulla 146*.

# Huolto

## Johdanto



**VAROITUS:** Ennen minkäänlaisten huoltotöiden aloittamista sinun on luettava turvallisuutta käsittelevä luku niin, että ymmärrät sen sisällön.

Kaikkiin tuotteelle tehtäviin huolto- ja korjaustöihin tarvitaan erityiskoulutus. Takaamme, että tuotteemme huolletaan ja korjataan ammattimaisesti. Jos jälleenmyyjäsi ei ole huoltoliike, pyydä jälleenmyyjää neuvomaan lähin huoltoliike.

Katso lisätietoja kohdasta [www.husqvarna.com](http://www.husqvarna.com).

## Huoltokaavio

Huoltovälit on laskettu tuotteen päivittäisen käytön perusteella. Välit voivat muuttua, jos tuotetta ei käytetä päivittäin.

Lisätietoja \*-merkillä merkityistä huolloista on kohdassa *Tuotteen turvalaitteet sivulla 143*.

S 138i	Jokaisella käyttökerralla	Kuukausittain	Kerran käyttökaudessa
Tee yleistarkastus.	X		
Puhdista tuote.	X		
Tarkista pintailmaajavarustus.	X		
Varmista, että laitteen turvalaitteissa ei ole vikoja. *	X		
Tarkista suojukset. *	X		
Tarkista moottorin jarrukahva. *	X		
Tarkista käynnistyksenesto. *	X		
Tarkista, että virtapainike toimii oikein eikä se ole viallinen.	X		
Tarkista akku vaurioiden varalta.	X		
Tarkista akun varaustila.	X		
Tarkista, että akun vapautuspainikkeet toimivat asianmukaisesti ja että akku lukittuu tuotteeseen.	X		
Tarkista akkulaturi vaurioiden varalta ja varmista, että se toimii asianmukaisesti.		X	
Tarkista akun ja laitteen väliset kytkennät. Tarkista myös akun ja akkulaturin välinen kytkentä.			X

## Yleistarkastus

- Varmista, että tuotteen kaikki ruuvit ja mutterit on kiristetty.
- Varmista, että laitteen kaapelit on asennettu siten, että ne eivät vahingoitu.

## Laitteen puhdistaminen

- Puhdista muoviosat puhtaalla ja kuivalla liinalla.
- Älä käytä vettä, kun puhdistat laitetta. Vesi voi päästä akkuun tai moottoriin ja vaurioittaa laitetta tai aiheuttaa oikosulun.
- Älä käytä laitteen puhdistamiseen painepesuria.
- Älä suihkuta vettä suoraan moottorin päälle.

- Poista lehdet, ruoho ja liika harjalla.

## Akun ja akkulaturin puhdistaminen



**VAROITUS:** Älä pese akkua tai akkulaturia vedellä.



**VAROITUS:** Älä puhdista akkua kemiallisilla aineilla.

- Varmista, että akku ja akkulaturi ovat puhtaita ja kuivia ennen kuin laitat akun akkulaturiin.

- Puhdista akun liittimet paineilmalla tai pehmeällä, kuivalla liinalla.
- Puhdista akun ja akkulatorin pinnat pehmeällä, kuivalla liinalla.

## Pintailmaajavarustuksen tarkistaminen



**VAROITUS:** Jotta tuote ei käynnisty vahingossa, käännä turva-avain asentoon 0, irrota akku ja odota vähintään viisi sekuntia.



**VAROITUS:** Käytä suojakäsineitä huoltaessasi pintailmaajavarustusta. Pintailmaajavarustuksen piikit ovat erittäin teräviä ja aiheuttavat helposti haavoja.

- Tutki pintailmaajavarustus vaurioiden tai halkeamien varalta. Vaurioitunut pintailmaajavarustus on aina vaihdettava.

## Pintailmaajavarustuksen vaihtaminen



**VAROITUS:** Käytä suojakäsineitä huoltaessasi pintailmaajavarustusta. Pintailmaajavarustus on erittäin terävä ja aiheuttaa helposti haavoja.

1. Käännä laite oikealle kyljelleen. (Kuva 40)
2. Irrota kaksi ruuvia (A) ja pintailmaajan suojus (B). Irrota pintailmaajavarustus (C) työntämällä sitä ylös ja ulos. (Kuva 41)
3. Työnnä uusi pintailmaajavarustus (C) uraan ja alas reikään. Kiinnitä pintailmaajan suojus (B) kahdella ruuvilla (A). (Kuva 42)

## Vianmääritys

### Akku

Akun merkkivalo	Syy	Ratkaisu
Vihreä merkkivalo vilkkuu.	Akun jännite on alhainen.	Lataa akku. Katso kohdasta <i>Akun lataaminen sivulla 146</i> .
Akun vian merkkivalo vilkkuu.	Akkua ei voi käyttää, koska se on liian kylmä tai liian kuuma.	Anna akun jäähtyä tai siirrä se sisätilaan lämpenemään. Kun akun lämpötila on oikea, sitä voi käyttää. Käytä tuotteen akkua ainoastaan 5–40 °C:n lämpötiloissa.
	Akku on tyhjä.	Lataa akku. Katso kohdasta <i>Akun lataaminen sivulla 146</i> .
Akun vian merkkivalo syttyy.	Akussa on pysyvä virhe.	Ota yhteyttä Husqvarna-huoltopisteeseen.

### Akkulaturi

Akkulatorin merkkivalo	Syy	Ratkaisu
Virheen LED-merkkivalo vilkkuu tai syttyy.	Akkulaturia ei voi käyttää, koska se on liian kylmä tai liian kuuma.	Anna akkulatorin jäähtyä tai siirrä se sisätilaan lämpenemään. Kun akkulatorin lämpötila on oikea, sitä voi käyttää. Käytä akkulaturia 5–40 °C:n lämpötiloissa.
	Muut virheet.	Ota yhteyttä Husqvarna-huoltopisteeseen.

## Ohjauspaneeli

Virhe	Virhekoodi (merkivalon välähdysten määrä)	Mahdolliset viat	Mahdolliset toimenpiteet
Vian merkivalo vilkkuu	3	Moottori on ylikuormittunut.	Vähennä työskentelysyvyyttä. Katso kohdasta <i>Työskentelysyvyyden säätäminen sivulla 145</i> . Jos vian merkivalo vilkkuu edelleen, pintailmaajavarustus on tukossa. Jotta tuote ei käynnisty vahingossa, käännä turva-avain asentoon 0, irrota akku ja odota vähintään viisi sekuntia. Varmista, että pintailmaajavarustus liikkuu vapaasti. Jos ongelma jatkuu, ota yhteys valtuutettuun huoltoliikkeeseen.
	5	Moottorin nopeus laskee liikaa ja moottori pysähtyy.	
	9	Moottorin ohjaus on liian kuuma.	Sammuta moottori ja odota, että se jäähtyy.
	7	Akkuvika tai akusta ei saada signaalia.	Aseta akku laitteeseen asianmukaisesti ja tarkista akkuliitin. Jos akun vian merkivalo vilkkuu, katso <i>Akku sivulla 148</i> .
		Akun varaus on heikko.	Lataa akku. Katso kohdasta <i>Akun lataaminen sivulla 146</i> .
Tuote pysähtyy	6	Akun varaus on heikko.	Lataa akku. Katso kohdasta <i>Akun lataaminen sivulla 146</i> .
	Merkivalo ei vilku.	Akkuliitinvika.	Tarkista akkuliitin.
Muut virheet	Jos muita virheitä ilmenee, käännä turva-avain asentoon 0, irrota akku ja ota yhteys valtuutettuun huoltoliikkeeseen.		

## Kuljettaminen, säilyttäminen ja hävittäminen

### Johdanto



**VAROITUS:** Jotta kone ei käynnisty vahingossa korjaus- ja huoltotöiden aikana, käännä turva-avain asentoon 0, irrota akku ja odota vähintään viisi sekuntia.

### Kuljettaminen

- Vaarallisten aineiden lainsäädännön määräykset koskevat tuotteessa olevia litiumioniakkuja.
- Tavarakuljetuksessa on noudatettava pakkausta ja merkintöjä koskevia erityismääräyksiä.
- Muista noudattaa vaarallisia aineita koskevia määräyksiä, kun valmistelet laitetta kuljetukseen. Myös mahdollisia paikallisia määräyksiä on noudatettava.
- Irrota akku aina kuljetuksen ajaksi.
- Teippaa akkuliittimet ja varmista, että akku ei pääse liikkumaan kuljetuksen aikana.
- Kiinnitä laite kuljetuksen ajaksi.

### Säilytys

- Irrota akku aina säilytyksen ajaksi.
- Anna tuotteen jäähtyä ennen kuin alat tehdä huoltotoimenpiteitä.
- Onnettomuuksien välttämiseksi varmista, ettei akku ole kytkettyä tuotteeseen säilytyksen aikana.
- Säilytä akkulatoria suljetussa ja kuivassa paikassa.
- Säilytä akkua ja akkulatoria kuivassa paikassa, jossa lämpötila ei laske pakkasen puolelle.
- Irrota akku akkulatorista säilytyksen ajaksi.
- Älä säilytä akkua paikassa, jossa on staattista sähköä. Älä säilytä akkua metallilaatikossa.
- Säilytä tuotetta paikassa, jonka lämpötila on  $-10...40$  °C.
- Säilytä akkua  $5-25$  °C:n lämpötilassa ja poissa suorasta auringonvalosta.
- Säilytä akkulatoria  $5-45$  °C:n lämpötilassa ja poissa suorasta auringonvalosta.
- Varmista, että akun varausasto on 30–50 % ennen pitkäaikaista säilytystä.

- Säilytä tuotetta, akkua ja akkulaturia lukitussa tilassa lasten ja asiaankuulumattomien henkilöiden ulottumattomissa.
- Puhdista tuote ja varmista, että ruohonkerääjä on tyhjä.
- Huolla tuote käyttöohjekirjassa annettujen ohjeiden mukaisesti. Katso kohdasta *Huoltokaavio sivulla 147*.
- Suorita kaikki huoltotoimet ennen pitkäaikaista säilytystä.

mukana. Se on toimitettava asianmukaiseen sähkö- ja elektroniikkalaitteiden keräyspisteeseen.

Varmistamalla laitteen asianmukaisen hävittämisen autat vähentämään mahdollisia negatiivisia ympäristövaikutuksia, joita tämän laitteen virheellisestä hävittämisestä koituisi. Lisätietoja tämän laitteen kierrätyksestä saat ottamalla yhteyden kotikuntasi viranomaisiin, jätehuoltoon tai laitteen myyneeseen liikkeeseen.

(Kuva 43)

## Hävittäminen

Laitteessa tai sen pakkauksessa olevat symbolit osoittavat, ettei laitetta saa hävittää kotitalousjätteen

## Tekniset tiedot

### Tekniset tiedot

<b>S 138i</b>	
<b>Moottori</b>	
Moottorityyppi	BLDC (harjaton) 36 V
Lisälaitteen nopeus – SavE, r/min	3 000
Lisälaitteen nopeus – nimellinen, r/min	3 200
Moottorin teho – enintään, kW	1,28
Moottorin teho – nimellisteho, kW	0,9
<b>Paino</b>	
Paino ilman laukkaa (ilman akkua), kg	19,5
Paino laukun kanssa (sis. 1 x BLi30), kg	23
<b>Akku</b>	
Akkutyypä	Husqvarna-akkusarja
<b>Akun käyttöaika</b>	
Akun käyttöaika, min, (vapaa käyttö) SavE-toiminto käytössä, yksi 7,5 Ah:n Husqvarna-akku (BLi30).	195
Akun käyttöaika minuutteina (joutokäynti), normaali tila käytössä, yksi 7,5 Ah:n Husqvarna-akku (BLi30).	175
<b>Melupäästöt</b> <sup>25</sup>	
Äänentehotaso, mitattu dB(A)	89
Äänentehotaso, taattu L <sub>WA</sub> dB(A)	91
<b>Äänitasot</b> <sup>26</sup>	
Äänenpainetaso käyttäjän korvan tasalla, dB(A)	75

<sup>25</sup> Melupäästö ympäristöön äänitehona (L<sub>WA</sub>) EY-direktiivin 2000/14/EY mukaisesti mitattuna.

<sup>26</sup> Äänenpainetaso ilmoitettujen tietojen tyyppillinen epävarmuus on K eli 1,5 dB(A).

<b>S 138i</b>	
<b>Tärinätasot</b> <sup>27</sup>	
Työntöaisa, m/s <sup>2</sup>	5,5
<b>Käyttö</b>	
Työskentelysyvyys enint./väh., mm	-8/+5
Työskentelyleveys, cm	37,5
Teräpiikkilisälaite	5973510-01
Jousipiikkilisälaite	5973509-01
Ruuhonkerääjän tilavuus, litraa	45

Hyväksytyt akut	Tyyppi	Akun kapasiteetti, Ah	Jännite, V	Paino, lb/kg
BLi30	Litiumioni	7,5	36	4,2/1,9
40-B140	Litiumioni	4,0	36	2,6/1,2

Hyväksytyt laturit määritetyille BLi-akuille	Tulojännite, V	Taajuus, Hz	Teho, W
40-C80	100–240	50–60	68,8
QC250	220–240	50	250

<sup>27</sup> Tärinätasojen ilmoitettujen tietojen tyypillinen epävarmuus on K eli 1,5 m/s<sup>2</sup>. Ilmoitettu tärinän kokonaisarvo on mitattu standardin EN 62841-4-7 liitteen I mukaisesti, ja sen avulla laitteita voi verrata keskenään ja sitä voi käyttää myös altistuksen alustavassa arvioinnissa.

---

## Vaatimustenmukaisuusvakuutus

---



## EU-vaatimustenmukaisuusvakuutus

Husqvarna AB, SE-561 82 Huskvarna, Ruotsi, puh. +46  
36 146500, vakuuttaa täten, että tuote:

<b>Kuvaus</b>	Pintailmaaja
<b>Tuotemerkki</b>	Husqvarna
<b>Tyyppi/malli</b>	S 138i
<b>Tunniste</b>	Sarjanumerot vuodesta 2023 alkaen

vastaavat täysin seuraavien EU:n direktiivien ja  
asetusten vaatimuksia:

<b>Direktiivi/asetus</b>	<b>Kuvaus</b>
2011/65/EU	Direktiivi tietyjen vaarallisten aineiden käytön rajoittamisesta sähkö- ja elektroniikkalaitteissa
2006/42/EC	konedirektiivi
2014/30/EU	EMC-direktiivi
2000/14/EC	Melupäästädirektiivi

ja että asiassa sovelletaan seuraavia standardeja ja/tai  
teknisiä tietoja: EN 62841-1:2015/A11:2022, EN IEC  
62841-4-7:2022/A11:2022, EN ISO 12100:2010, EN  
55014-1:2017/A11:2020, EN 55014-2:2015, EN IEC  
63000:2018.

Katso lisätietoja melupäästöistä osiosta *Tekniset tiedot*  
sivulla 150.

Huskvarna, 2023-12-30



Claes Losdal

Kehityspäällikkö/puutarhatuotteet

Husqvarna AB

Teknisestä dokumentaatiosta vastaava edustaja



---

## Sommaire

---

Introduction.....	154	Dépannage.....	165
Sécurité.....	155	Transport, entreposage et mise au rebut.....	166
Montage.....	161	Caractéristiques techniques.....	167
Utilisation.....	161	Déclaration de conformité.....	169
Entretien.....	163		

---

## Introduction

---

### Description du produit

Le produit est un démousseur électrique à pousser. Le produit retire le chaume de la pelouse et ameublit le sol pour permettre à l'air et à l'eau de s'infiltrer dans la pelouse. Le chaume est récupéré dans un collecteur d'herbe ou est relâché sur la pelouse. Le produit dispose de 2 types de démousseur.

### Démousseur

Reportez-vous à la section *Pour remplacer l'équipement de démoissage à la page 164* pour plus d'informations sur la procédure de remplacement du démousseur.

### Griffes

Les griffes éliminent le chaume et coupent les racines de l'herbe verticalement. Utilisez les griffes sur les

### Aperçu du produit

(Fig. 1)

1. Poignée de frein moteur
2. Poignée supérieure
3. Panneau de commande
4. Antidémarrage
5. Poignée inférieure
6. Bac de ramassage
7. Capot arrière
8. Capot du scarificateur
9. Couvercle de batterie
10. Bouton de réglage de la profondeur de travail
11. Clé de sécurité
12. Témoin LED ON/OFF
13. Bouton ON/OFF
14. Bouton SavE
15. Témoin LED SavE
16. Témoin de charge de la batterie et bouton de la batterie
17. Griffes
18. Batterie (accessoire)
19. Chargeur de batterie (accessoire)
20. Clé à six pans
21. Manuel d'utilisation

pent, les terrasses et les sols riches en argile. Les griffes permettent à l'eau de s'infiltrer dans la pelouse et l'empêchent de s'accumuler à la surface

(Fig. 17)

### Dents flexibles

Les dents flexibles retirent soigneusement l'herbe morte et le chaume de la pelouse sans endommager les racines de l'herbe.

(Fig. 18)

### Utilisation prévue

Utilisez le produit pour retirer le chaume et la mousse et pour ameublir le sol dans des jardins privés. N'utilisez pas ce produit pour d'autres travaux.

### Symboles concernant le produit

(Fig. 2)      AVERTISSEMENT

(Fig. 3)      Lisez les instructions.

(Fig. 4)      AVERTISSEMENT - Prenez garde aux projections d'objets.

(Fig. 5)      Éloignez les personnes à proximité.

(Fig. 6)      AVERTISSEMENT : maintenez vos mains et vos pieds à distance des griffes.

(Fig. 7)      Débranchez la batterie avant l'entretien.

(Fig. 8)      Ne les exposez pas à la pluie.

(Fig. 9)      Le produit est protégé contre les éclaboussures d'eau.

(Fig. 10)      Ce produit est conforme aux directives CE en vigueur.

(Fig. 11)      Ce produit est conforme aux directives en vigueur au Royaume-Uni.

(Fig. 12) Étiquette relative aux émissions sonores dans l'environnement selon les directives et réglementations européennes et du Royaume-Uni et la législation de la Nouvelle-Galles du Sud « Protection of the Environment Operations (Noise Control) Regulation 2017 ». Le niveau de puissance sonore garanti du produit est spécifié à la section *Caractéristiques techniques à la page 167* et sur l'étiquette.

(Fig. 15) Déposez ce produit dans une station de recyclage pour équipements électriques et électroniques. (Concerne seulement l'Europe)

(Fig. 16) Procédure de démarrage : appuyez sur le bouton ON/OFF, relâchez l'antidémarrage, puis poussez la poignée du frein moteur vers le bas.

(Fig. 13) Relâchez la poignée de frein moteur pour arrêter.

(Fig. 14) Code optiquement lisible.

---

**Remarque:** les autres symboles/autocollants présents sur le produit concernent des exigences de certification spécifiques à certains marchés.

---

## Endommagement du produit

Nous ne sommes pas responsables des dommages subis par le produit si :

- le produit n'est pas correctement réparé ;
- le produit est réparé avec des pièces qui ne proviennent pas du fabricant ou qui ne sont pas homologuées par le fabricant ;
- le produit est équipé d'un accessoire qui ne provient pas du fabricant ou qui n'est pas homologué par le fabricant ;
- le produit n'est pas réparé par un centre d'entretien agréé ou par une autorité homologuée.

---

## Sécurité

---

### Définitions de sécurité

Des avertissements, des recommandations et des remarques sont utilisés pour souligner des parties spécialement importantes du manuel.



**AVERTISSEMENT:** Symbole utilisé en cas de risque de blessures ou de mort pour l'opérateur ou les personnes à proximité si les instructions du manuel ne sont pas respectées.



**REMARQUE:** Symbole utilisé en cas de risque de dommages pour le produit, d'autres matériaux ou les environs si les instructions du manuel ne sont pas respectées.

**Remarque:** Symbole utilisé pour donner des informations supplémentaires pour une situation donnée.

### Consignes générales de sécurité des produits



**AVERTISSEMENT:** Lisez l'ensemble des avertissements de sécurité, des consignes, des illustrations et des spécifications fournies avec ce produit. Le

non-respect des consignes énumérées ci-dessous peut être à l'origine d'un choc électrique, d'un incendie et/ou de blessures graves.

---

**Conservez toutes ces consignes et instructions pour toute consultation ultérieure.** Le terme « produit » utilisé dans les avertissements fait référence à votre produit sur secteur (filaire) ou à votre produit alimenté par batterie (sans fil).

### Sécurité dans l'espace de travail

- **Maintenez un espace de travail propre et bien éclairé.** Les espaces encombrés ou sombres exposent à des accidents.
- **Ne l'utilisez pas dans des atmosphères explosives, en présence de gaz, de poussières ou de liquides inflammables par exemple.** Le produit provoque des étincelles qui peuvent enflammer la poussière ou les vapeurs.
- **Tenez les enfants et les spectateurs à distance lorsque le produit est en marche.** Un moment d'inattention peut vous faire perdre le contrôle.

### Sécurité du personnel

- **Restez attentif, regardez ce que vous faites et ayez recours à votre bon sens lorsque vous utilisez un produit. N'utilisez pas un produit si vous êtes fatigué ou sous l'emprise de drogues, d'alcool ou de médicaments.** Un moment d'inattention pendant

l'utilisation des produits peut entraîner des blessures corporelles graves.

- **Utilisez un équipement de protection personnelle. Travaillez toujours avec des lunettes de protection.** Les équipements de protection tels que le masque anti-poussière, les chaussures de sécurité antidérapantes, le casque ou le protège-oreilles utilisés dans des conditions appropriées réduisent les blessures corporelles.
- **Évitez tout démarrage intempestif. Vérifiez que l'interrupteur est en position d'arrêt avant de brancher le produit sur l'alimentation et/ou la batterie, de le ramasser ou de le transporter.** Le fait de garder le doigt sur l'interrupteur pendant le transport des produits ou de mettre les produits sous tension alors que l'interrupteur est en position de marche entraîne un risque d'accident.
- **Retirez toute clé ou clavette de réglage avant de mettre le produit sous tension.** Une clé ou une clavette reliée à une pièce rotative du produit peut entraîner des blessures corporelles.
- **Ne vous éloignez pas trop. Restez toujours en équilibre et sur vos appuis.** Cela favorise le contrôle du produit dans les situations inattendues.
- **Habillez-vous correctement. Ne portez jamais des vêtements amples ou de bijoux. Éloignez vos cheveux et vos vêtements des pièces mobiles.** Les vêtements amples, les bijoux et les cheveux longs peuvent être happés par les pièces en mouvement.
- **Si des dispositifs sont fournis pour raccorder des systèmes de collecte et d'extraction de la poussière, vérifiez qu'ils sont correctement branchés et utilisés.** L'utilisation de systèmes de collecte de poussière peut réduire les risques associés à la poussière.
- **La connaissance des produits, acquise par l'usage fréquent de ces derniers, ne doit pas vous dispenser d'être prudent et d'appliquer les principes de sécurité.** Une action inconsiderée peut provoquer de graves blessures en une fraction de seconde.

## Utilisation et entretien du produit

- **Ne forcez pas le produit. Utilisez le produit convenant à l'application.** Le produit approprié réalisera mieux son travail et de façon plus sûre, à la vitesse pour laquelle il a été conçu.
- **N'utilisez pas le produit si l'interrupteur ne permet pas la mise sous tension ou l'arrêt.** Tout produit impossible à commander avec l'interrupteur est dangereux et doit être réparé.
- **Débranchez la fiche de la prise et/ou retirez la batterie, si celle-ci est amovible, avant de procéder aux réglages, de changer les accessoires ou de stocker les produits.** Ces mesures de sécurité préventive réduisent le risque de mise sous tension accidentelle du produit.
- **Rangez les produits hors de la portée des enfants et ne laissez pas des personnes qui ne connaissent pas le produit ou ces consignes utiliser le produit.** Les produits sont dangereux s'ils se retrouvent entre les mains d'utilisateurs non formés.

- **Veillez à entretenir les produits et leurs accessoires. Vérifiez que des pièces en mouvement ne sont pas désalignées ou grippées, que des composants ne sont pas cassés ou détériorés de façon telle à nuire au bon fonctionnement du produit. S'il est endommagé, faites réparer le produit avant toute réutilisation.** De nombreux accidents sont dus à des produits mal entretenus.
- **Maintenez les outils tranchants aiguisés et propres.** Des outils tranchants correctement entretenus avec des bords aiguisés sont moins susceptibles de se coincer et sont plus faciles à contrôler.
- **Utilisez le produit, les accessoires, les mèches, etc. en suivant ces consignes et en tenant compte des conditions de travail et de la tâche à réaliser.** L'utilisation du produit pour des opérations autres que celles pour lesquelles il a été prévu peut entraîner des situations dangereuses.
- **Les poignées et les surfaces de maintien doivent toujours être propres, sèches et sans traces d'huile ni de graisse.** Les poignées et les surfaces de maintien glissantes ne permettent pas une manipulation et un contrôle sûrs du produit dans des situations inattendues.

## Utilisation et entretien d'un outil à batterie

- **Ne rechargez la machine qu'avec le chargeur indiqué par le fabricant.** Un chargeur convenant à un type de bloc de batteries particulier peut entraîner un risque d'incendie s'il est utilisé avec un autre bloc.
- **Utilisez les produits uniquement avec les batteries spécifiquement préconisées.** L'utilisation d'une autre batterie peut entraîner un risque de blessure et d'incendie.
- **Lorsque la batterie n'est pas utilisée, maintenez-la à distance d'objets métalliques, tels que des trombones, pièces de monnaie, clés, clous, vis, ou autres petits objets en métal risquant de relier une borne à l'autre.** Court-circuiter les bornes de batterie entraîne un risque de brûlures et d'incendie.
- **En cas d'utilisation abusive, du liquide peut s'échapper de la batterie ; évitez tout contact. En cas de contact accidentel, rincez à l'eau. En cas de contact avec les yeux, consultez un médecin.** Le liquide échappé de la batterie peut causer irritations et brûlures.
- **N'utilisez pas un bloc batterie ou un outil endommagé ou modifié.** Les batteries endommagées ou modifiées peuvent présenter un comportement imprévisible pouvant provoquer un incendie, une explosion ou un risque de blessure.
- **N'exposez pas un bloc batterie ou un outil au feu ou à des températures trop élevées.** L'exposition au feu ou à des températures supérieures à 130 °C / 265 °F peut provoquer une explosion.
- **Respectez toutes les instructions de charge et ne chargez pas le bloc batterie ou l'outil en dehors de la plage de température spécifiée dans les instructions.** Ne pas charger la batterie correctement ou la charger à des températures comprises en dehors de

la plage spécifiée peut endommager la batterie et augmenter le risque d'incendie.

## Service

- **Confiez l'entretien de votre produit à un mécanicien qualifié qui utilisera uniquement des pièces de rechange identiques.** Cela permet de garantir la sécurité du produit.
- **Ne jamais entretenir des batteries endommagées.** L'entretien des batteries doit être effectué uniquement par le fabricant ou des fournisseurs de services agréés.

## Consignes de sécurité du produit

- **N'utilisez pas le produit par mauvais temps, en particulier lorsqu'il y a un risque de foudre.** Cela permet de réduire le risque d'être frappé par la foudre.
- **Inspectez soigneusement la zone où le produit doit être utilisé, afin de repérer la faune éventuelle.** En effet, elle peut être blessée par le produit pendant son fonctionnement.
- **Inspectez attentivement la zone où le produit doit être utilisé et retirez toutes les pierres, les bouts de bois, les câbles, les os et autres corps étrangers.** Les objets projetés peuvent entraîner des blessures.
- **Avant toute utilisation du produit, effectuez toujours une inspection visuelle pour vérifier que les griffes et l'ensemble de griffes ne sont ni usés ni endommagés.** L'utilisation de pièces usées ou endommagées augmente le risque de blessure.
- **Contrôlez régulièrement le bac de ramassage pour détecter tout signe d'usure ou de détérioration.** Un bac de ramassage usé ou endommagé peut augmenter le risque de blessures.
- **Maintenez les protections en place. Les protections doivent être en bon état de marche et correctement montées.** Une protection desserrée, endommagée ou ne fonctionnant pas correctement peut entraîner des blessures.
- **Veillez à ce qu'aucun débris ne se loge dans les arrivées d'air de refroidissement.** L'obstruction des arrivées d'air et la présence de débris peuvent entraîner une surchauffe ou un risque d'incendie.
- **Lors de l'utilisation du produit, portez toujours des chaussures de protection antidérapantes. N'utilisez pas le produit si vous êtes pieds nus ou si vous portez des sandales.** Cela réduit le risque de blessure aux pieds en cas de contact avec les griffes en mouvement.
- **Lorsque vous utilisez le produit, portez toujours un pantalon.** Le risque de blessures dues à la projection d'objets est plus grand lorsque la peau est exposée.
- **Le produit ne doit pas être utilisé sur de l'herbe humide. Marchez, ne courez jamais.** Vous risquez de glisser et de tomber, ce qui peut entraîner des blessures.
- **Évitez d'utiliser le produit sur des pentes trop raides.** Vous limitez ainsi le risque de perte de contrôle,

de glissade et de chute, sources de blessures éventuelles.

- **Lorsque vous travaillez sur une pente, veillez toujours à garder l'équilibre, en tondant l'herbe latéralement et non verticalement. Soyez prudent lorsque vous changez de direction.** Vous limitez ainsi le risque de perte de contrôle, de glissade et de chute, sources de blessures éventuelles.
- **Soyez extrêmement vigilant lorsque vous reculez ou tirez le produit vers vous. Soyez toujours conscient de l'environnement qui vous entoure.** Vous limitez ainsi le risque que vous trébuchiez pendant l'utilisation.
- **Tenez le produit par des surfaces de préhension isolées uniquement, car les griffes peuvent entrer en contact avec du câblage caché ou leur propre cordon.** Si les griffes entrent en contact avec un câble sous tension, il risque de mettre sous tension les parties métalliques exposées de la machine, ce qui peut électrocuter l'opérateur.
- **Ne touchez pas les griffes et les autres pièces mobiles dangereuses lorsqu'elles sont encore en mouvement.** Vous réduisez ainsi le risque de blessures dues aux pièces mobiles.
- **Lorsque vous dégagez les débris de végétaux coincés ou que vous procédez au nettoyage du produit, assurez-vous que tous les interrupteurs d'alimentation sont en position d'arrêt et que la batterie est débranchée.** Une utilisation inappropriée du produit peut entraîner des blessures graves.

## Instructions générales de sécurité



**AVERTISSEMENT:** lisez les instructions qui suivent avant d'utiliser le produit.

- Ce produit est dangereux s'il est utilisé de manière incorrecte ou imprudente. Des blessures graves ou mortelles peuvent se produire si vous ne respectez pas les instructions de sécurité.
- Ce produit génère un champ électromagnétique durant son fonctionnement. Ce champ peut dans certaines circonstances perturber le fonctionnement d'implants médicaux actifs ou passifs. Pour réduire le risque de blessures graves ou mortelles, nous recommandons aux personnes portant des implants médicaux de consulter leur médecin et le fabricant de leurs implants avant d'utiliser ce produit.
- Soyez toujours prudent et utilisez votre bon sens. Si vous ne savez pas comment faire fonctionner le produit dans une situation particulière, ne l'utilisez pas et contactez votre revendeur Husqvarna avant de poursuivre.
- N'oubliez pas que l'opérateur sera tenu responsable des accidents occasionnés à des tiers et à leurs biens.
- Maintenez le produit propre. Assurez-vous que vous pouvez lire clairement les avertissements et les autocollants.

- N'autorisez jamais des enfants ou des personnes qui ne sont pas familiarisées avec ces instructions à se servir de cet appareil. Les réglementations locales peuvent limiter l'âge de l'utilisateur.
- Surveillez constamment les personnes aux capacités physiques ou mentales réduites qui utilisent ce produit. Un adulte responsable doit être présent à tout moment.
- N'utilisez jamais le produit si vous êtes fatigué ou malade, ou si vous êtes sous l'emprise d'alcool, de drogues ou de médicaments. Cela a un effet négatif sur votre vision, votre vigilance, votre coordination et votre jugement.
- N'utilisez pas le produit s'il est endommagé ou s'il ne fonctionne pas correctement.
- Ne modifiez jamais le produit et ne l'utilisez jamais s'il est susceptible d'avoir été modifié par un tiers.
- Restez toujours derrière le produit lorsque vous l'utilisez.
- Faites reposer toutes les roues sur le sol et conservez vos deux mains sur la poignée lorsque vous faites fonctionner le produit. Maintenez les mains et les pieds à distance des griffes en rotation.
- N'inclinez pas le produit lorsque vous démarrez le moteur ou pendant le fonctionnement du produit.
- Soyez prudent lorsque vous tirez le produit vers l'arrière.
- Ne soulevez jamais le produit quand le moteur est mis en marche. Si vous devez soulever le produit, arrêtez d'abord le moteur, tournez la clé de sécurité sur 0 et déposez la batterie.
- Ne marchez pas vers l'arrière lorsque vous utilisez le produit.
- Arrêtez le moteur lorsqu'il est nécessaire d'incliner le produit pour le transport ou avant de vous déplacer dans des zones sans herbe, par exemple des chemins avec des graviers, des pierres et en asphalte.
- Ne courez pas lorsque vous utilisez le produit et que le moteur est mis en marche. Vous devez toujours marcher lorsque vous utilisez le produit.
- Arrêtez le moteur avant de modifier la profondeur de travail. N'effectuez jamais de réglages pendant que le moteur tourne.
- Ne quittez jamais le produit des yeux pendant que le moteur tourne. Arrêtez le moteur, tournez la clé de sécurité sur 0 et déposez la batterie. Assurez-vous que le scarificateur ne tourne pas.
- Les vibrations dans le produit pendant le fonctionnement peuvent être différentes de la valeur de vibration indiquée à la section *Caractéristiques techniques à la page 167*. Cette différence est due à des variations dans la façon d'utiliser le produit. Si vous utilisez le produit fréquemment ou pendant de longues périodes, faites régulièrement des pauses pour éviter les blessures dues aux vibrations.

## Sécurité du travail



**AVERTISSEMENT:** lisez les instructions qui suivent avant d'utiliser le produit.

- Utilisez ce produit pour éliminer le chaume et la mousse des pelouses uniquement. Il est interdit d'utiliser le produit pour d'autres tâches.
- Utilisez un équipement de protection individuel. Reportez-vous à la section *Équipement de protection individuel à la page 158*.
- Assurez-vous de savoir comment couper le moteur rapidement en cas d'urgence.
- Le produit ne doit pas être exposé à la pluie ou à l'humidité. Cela peut augmenter le risque d'électrocution.
- Faites fonctionner le produit uniquement si les griffes et tous les capots sont fixés correctement. Des griffes fixées de manière inadéquate risquent de se détacher et de causer des blessures personnelles.
- Assurez-vous que les griffes ne touchent pas des objets tels que des pierres et des racines. Cela peut endommager les griffes et tordre l'arbre du moteur. Un arbre tordu génère de fortes vibrations, il y a alors un risque important que les griffes se détachent.
- Arrêtez immédiatement le produit si les griffes vibrent ou heurtent un objet. Arrêtez le moteur, tournez la clé de sécurité sur 0 et déposez la batterie. Attendez l'arrêt des pièces mobiles. Vérifiez que le produit n'est pas endommagé. Serrez les pièces desserrées. Réparez les dommages et remplacez les pièces endommagées. Faites réaliser les réparations par un agent d'entretien agréé.
- N'attachez jamais la poignée de frein moteur en permanence à la poignée de commande quand le moteur est mis en marche.
- Placez le produit sur une surface stable et plane, puis lancez-le. Vérifiez que les griffes ne touchent pas le sol ou tout autre objet.

## Consignes de sécurité pour le fonctionnement

### Équipement de protection individuel



**AVERTISSEMENT:** Lisez les instructions qui suivent avant d'utiliser le produit.

- L'équipement de protection individuel ne protège pas complètement des blessures, mais il diminue la gravité des blessures en cas d'accident. Faites appel à votre revendeur pour vous aider à sélectionner l'équipement adéquat.
- Portez des bottes ou chaussures antidérapantes à usage intensif. Ne portez pas de chaussures ouvertes et ne soyez pas pieds nus lorsque vous utilisez le produit.
- Utilisez des pantalons longs et épais.

- Portez des gants de protection en cas de besoin, par exemple lorsque vous fixez, examinez ou nettoyez l'équipement de coupe.
- Nous vous recommandons d'utiliser une protection auditive.

## Dispositifs de sécurité sur le produit



**AVERTISSEMENT:** lisez les instructions qui suivent avant d'utiliser le produit.

- N'utilisez pas un produit dont les dispositifs de sécurité sont endommagés ou ne fonctionnent pas correctement.
- Ne retirez ou ne modifiez pas les dispositifs de sécurité.
- Contrôlez les dispositifs de sécurité régulièrement. Si les dispositifs de sécurité sont endommagés ou ne fonctionnent pas correctement, contactez votre agent d'entretien Husqvarna.

## Pour contrôler les capots

Le capot de l'aérateur de pelouse réduit les vibrations dans le produit et réduit le risque de blessures provoquées par l'aérateur de pelouse.

- Examinez le capot latéral de l'aérateur de pelouse pour vous assurer qu'il ne présente pas de dommages tels que des fissures.
- Examinez le capot arrière pour vous assurer qu'il ne présente pas de dommages tels que des fissures.

## Poignée de frein moteur

La poignée de frein moteur arrête le moteur. Lorsque la poignée de frein moteur est relâchée, le moteur s'arrête.

Pour inspecter le frein moteur, démarrez le moteur, puis relâchez la poignée de frein moteur. Si le moteur ne s'arrête pas au bout de 3 secondes, demandez à un atelier Husqvarna spécialisé agréé de régler le frein moteur.

(Fig. 19)

## Clé de sécurité

La clé de sécurité se trouve sous le couvercle de la batterie. La clé de sécurité permet de connecter la batterie qui alimente le moteur.

- Démarrez et arrêtez le moteur pour contrôler la clé de sécurité.
- Si la clé de sécurité fonctionne correctement, le moteur démarre seulement lorsque la clé est tournée sur 1.

(Fig. 20)

## Pour contrôler l'antidémarrage

Contrôlez l'antidémarrage afin de vous assurer qu'il empêche le fonctionnement du moteur.

1. Poussez la poignée de frein moteur en direction du guidon. L'antidémarrage arrête le mouvement.
2. Poussez l'antidémarrage. (Fig. 21)
3. Relâchez l'antidémarrage et assurez-vous qu'il revient dans sa position initiale.

## Consignes de sécurité relatives à l'utilisation de la batterie



**AVERTISSEMENT:** lisez les instructions qui suivent avant d'utiliser le produit.

- Utilisez des batteries rechargeables Husqvarna pour alimenter les produits Husqvarna uniquement. Afin d'éviter toute blessure, n'utilisez pas la batterie comme source d'alimentation pour d'autres produits.
- N'utilisez pas de batteries non rechargeables.
- Risque de choc électrique. Ne branchez pas les bornes de la batterie à des clés, des pièces de monnaie, des vis ou tout autre élément métallique. Cela peut provoquer un court-circuit de la batterie.
- Ne placez pas d'objets dans les fentes d'aération de la batterie.
- Protégez la batterie des rayons directs du soleil, de la chaleur et des flammes nues. La batterie peut exploser et provoquer des brûlures et/ou des brûlures chimiques.
- Protégez la batterie de la pluie et de l'humidité.
- Protégez la batterie des micro-ondes et des hautes pressions.
- N'essayez pas de démonter ou de casser la batterie.
- En cas de fuite de la batterie, ne laissez pas le liquide entrer en contact avec votre peau ou vos yeux. Si vous avez touché le liquide, nettoyez la zone avec beaucoup d'eau et contactez un médecin.
- N'utilisez la batterie du produit que si la température ambiante est comprise entre 5 °C et 40 °C.
- N'utilisez le chargeur de batterie que si la température ambiante est comprise entre 5 °C et 40 °C.
- La batterie ne charge pas si la température de la batterie est supérieure à 50 °C.
- Ne nettoyez pas la batterie ou le chargeur de batterie avec de l'eau. Reportez-vous à la section *Batterie à la page 165*.
- N'utilisez pas une batterie endommagée.
- Conservez les batteries à distance des objets métalliques, tels que les clous, les pièces de monnaie ou les bijoux.

## Consignes de sécurité relatives au chargeur de batterie



**AVERTISSEMENT:** lisez les instructions qui suivent avant d'utiliser le produit.

- Utilisez uniquement des chargeurs de batterie QC pour charger les batteries de rechange Husqvarna.
- Risque de choc électrique ou de court-circuit. Ne placez pas d'objets dans les fentes d'aération du chargeur. N'essayez pas de démonter le chargeur de batterie. Ne raccordez pas les bornes du chargeur à des objets métalliques. Utilisez une prise de courant murale homologuée.
- Ce produit génère un champ électromagnétique durant son fonctionnement. Ce champ peut dans certaines circonstances perturber le fonctionnement d'implants médicaux actifs ou passifs. Pour réduire le risque de blessures graves ou mortelles, les personnes portant des implants médicaux doivent consulter leur médecin et le fabricant de leur implant avant d'utiliser cet appareil.
- Assurez-vous régulièrement que le cordon d'alimentation du chargeur de batterie n'est pas endommagé et qu'il ne présente aucune fissure.
- Ne soulevez pas le chargeur de batterie par le cordon d'alimentation. Pour débrancher le chargeur de batterie d'une prise de courant murale, tirez sur la fiche. Ne tirez pas le cordon d'alimentation.
- Conservez le cordon d'alimentation et les rallonges à l'abri de l'eau, de l'huile et des bords tranchants. Veillez à ce que le câble ne soit pas coincé dans des portes, des clôtures ou tout autre élément similaire. Le chargeur pourrait être mis sous tension.
- Ne nettoyez pas le chargeur de batterie avec de l'eau.
- Ce chargeur de batterie peut être utilisé par des enfants âgés de 8 ans et plus et par des personnes ayant des handicaps physiques, sensoriels ou mentaux ou manquant d'expérience et de connaissances, à condition qu'ils soient sous surveillance ou qu'ils aient reçu les instructions appropriées concernant l'utilisation du chargeur de batterie en toute sécurité et qu'ils aient bien compris les risques encourus. Les enfants ne doivent pas jouer avec le chargeur de batterie. Le nettoyage et les opérations d'entretien à effectuer par l'utilisateur ne doivent pas être réalisés par des enfants laissés sans surveillance.
- Ne placez aucune batterie non rechargeable dans le chargeur de batterie.
- N'utilisez pas le chargeur de batterie à proximité de matériaux inflammables ou de matériaux pouvant provoquer la formation de corrosion. Ne recouvrez pas le chargeur de batterie. En cas de dégagement de fumée ou de début d'incendie, débranchez aussitôt la fiche reliée au chargeur de batterie.
- N'utilisez pas de chargeur de batterie défectueux ou endommagé.

- Rechargez la batterie uniquement en intérieur, dans un endroit bien aéré et à l'abri de la lumière du soleil. Ne rechargez pas la batterie dans des conditions humides.

## Instructions de sécurité pour l'entretien



**AVERTISSEMENT:** lisez les instructions qui suivent avant d'utiliser le produit.

- Afin d'éviter tout démarrage accidentel pendant l'entretien, tournez la clé de sécurité sur 0 et retirez la batterie. Attendez au moins 5 secondes avant de commencer l'entretien.
- Effectuez l'entretien correctement afin de prolonger la durée de vie du produit et de réduire les risques d'accident. Faites réaliser les réparations professionnelles par un agent d'entretien agréé. Contactez votre agent d'entretien le plus proche pour plus d'informations.
- Effectuez uniquement les tâches d'entretien décrites dans le présent manuel d'utilisation. Les réparations plus poussées doivent être effectuées par un agent d'entretien agréé.
- Afin de limiter les risques de blessure, ne retirez ou ne modifiez pas les dispositifs de sécurité.
- Portez des gants de protection résistants lorsque vous manipulez le scarificateur. Le scarificateur est extrêmement tranchant et peut facilement entraîner des coupures.
- Maintenez les griffes du scarificateur aiguisées et propres pour profiter de performances optimales et sûres.
- Laissez à l'agent d'entretien le soin de contrôler régulièrement le produit et d'effectuer les réglages et les réparations nécessaires.
- Remplacez les pièces endommagées, usées ou cassées. Utilisez toujours des pièces de rechange d'origine du fabricant. L'utilisation d'autres pièces de rechange peut endommager le produit et augmenter le risque d'accident.
- Respectez les instructions relatives au remplacement des accessoires. Utilisez uniquement des accessoires obtenus auprès du fabricant.
- Lorsqu'ils ne sont pas utilisés, conservez le produit avec la batterie et le chargeur de batterie à part dans un endroit sec, en intérieur et verrouillé. Veillez à ce que les enfants et les personnes non autorisées ne puissent avoir accès au produit, à la batterie ou au chargeur de batterie.



---

# Montage

---

## Introduction



**AVERTISSEMENT:** avant de monter le produit, consultez le chapitre sur la sécurité.



**AVERTISSEMENT:** Pour éviter tout démarrage accidentel lors du montage, tournez la clé de sécurité sur 0, retirez la batterie et attendez au moins 5 secondes.

## Pour monter la poignée

1. Desserrez les boutons inférieurs.
2. Faites glisser les boutons jusqu'aux extrémités inférieures des rainures sur le côté gauche et le côté droit de la machine. (Fig. 22)
3. Réglez la hauteur de la poignée selon l'une des deux positions disponibles.
4. Déplacez les boutons vers le haut, en direction de la poignée, jusqu'à ce qu'ils s'arrêtent et qu'un clic se fasse entendre. (Fig. 23)

5. Serrez fermement les boutons.

## Montage du collecteur d'herbe

1. Fixez le châssis du collecteur d'herbe au sac à herbe, la partie rigide du sac étant sur la partie inférieure. Maintenez la poignée du châssis sur le dessus du sac à herbe. (Fig. 24)
2. Fixez la partie inférieure du châssis du collecteur d'herbe dans la rainure au bas du collecteur d'herbe.
3. Fixez le sac à herbe au châssis du collecteur d'herbe à l'aide des clips. (Fig. 25)
4. Soulevez le capot arrière.
5. Déplacez le collecteur d'herbe dans la position appropriée. (Fig. 26)
6. Attachez le collecteur d'herbe au bord supérieur du châssis. Vérifiez l'étanchéité entre le couvercle arrière et le collecteur d'herbe pour éviter toute fuite. (Fig. 27)

---

# Utilisation

---

## Introduction



**AVERTISSEMENT:** Avant d'utiliser le produit, vous devez lire et comprendre le chapitre sur la sécurité.

## Husqvarna Connect

Husqvarna Connect est une application gratuite pour votre appareil mobile. L'application Husqvarna Connect offre des fonctions étendues à votre produit Husqvarna :

- Informations produit détaillées.
- Informations et aide sur les pièces et l'entretien du produit.

## Pour commencer à utiliser Husqvarna Connect

1. Téléchargez l'application Husqvarna Connect sur votre appareil mobile.
2. Enregistrez-vous sur l'application Husqvarna Connect.
3. Suivez les instructions de l'application Husqvarna Connect pour vous connecter et enregistrer le produit.

## Pour régler la profondeur de coupe



**AVERTISSEMENT:** Ne modifiez pas la profondeur de coupe lorsque vous utilisez le produit.

1. Poussez et tournez le bouton de réglage de la profondeur de coupe dans le sens contraire des aiguilles d'une montre pour augmenter la profondeur de coupe.
2. Poussez et tournez le bouton de réglage de la profondeur de coupe dans le sens des aiguilles d'une montre pour diminuer la profondeur de coupe. (Fig. 28)

## Batterie



**AVERTISSEMENT:** Avant d'utiliser la batterie, vous devez lire et comprendre le chapitre sur la sécurité. Vous devez également lire et comprendre le manuel d'utilisation de la batterie et du chargeur de batterie.

Maintenez la batterie et le chargeur de batterie à des températures ambiantes correctes.

	Température ambiante
Fonctionnement de la batterie	5 °C à 40 °C
Charge de la batterie	5 °C à 40 °C

## État de la batterie

L'écran indique la capacité restante de la batterie ainsi que tout problème éventuel lié à la batterie. Appuyez sur le bouton de l'indicateur de batterie pour obtenir des informations sur l'état de charge de la batterie. Le symbole d'avertissement sur la batterie s'allume en cas d'erreur. Reportez-vous à la section *Batterie à la page 165*.

(Fig. 29)

Voyants LED	État de la batterie
Toutes les LED sont allumées	Batterie complètement chargée (76-100 %)
Les LED 1, LED 2 et LED 3 sont allumées	La batterie est chargée à 51 %-75 %
Les LED 1 et LED 2 sont allumées	La batterie est chargée à 26 %-50 %
La LED 1 est allumée	La batterie est chargée à 6 %-25 %
La LED 1 clignote	La batterie est chargée à 0 %-5 %

## Pour charger la batterie

Chargez la batterie avant la première utilisation. La batterie n'est chargée qu'à 30 % au moment de sa livraison au client.

**Remarque:** Le chargeur de batterie doit être raccordé à la tension et à la fréquence indiquées sur la plaque signalétique.

La batterie ne se charge pas si la température de la batterie est supérieure à 50 °C. Le chargeur de batterie diminue la température de la batterie avant le début de la charge.

1. Branchez une extrémité du cordon d'alimentation du chargeur de batterie dans la prise du chargeur de batterie.
2. Branchez l'autre extrémité du cordon d'alimentation du chargeur de batterie dans une prise secteur mise à la masse. La DEL sur le chargeur de batterie clignote une fois en vert. (Fig. 30)
3. Placez la batterie dans le chargeur de batterie. Le témoin vert du chargeur s'allume lorsque la batterie est correctement branchée au chargeur de batterie. (Fig. 31)

4. La batterie est totalement rechargée quand toutes les DEL sur la batterie sont allumées. Chargez la batterie pendant 24 heures au maximum.
5. Pour débrancher le chargeur de batterie de la prise secteur, tirez sur la fiche et non sur le cordon d'alimentation.
6. Dégagez la batterie du chargeur de batterie.

## Pour démarrer le produit

1. Placez une batterie chargée dans le compartiment de batterie numéro 1, sous le couvercle de la batterie. Pour une durée de fonctionnement accrue, placez une deuxième batterie chargée dans le compartiment de batterie numéro 2.
2. Tournez la clé de sécurité sur 1. (Fig. 32)
3. Restez derrière le produit.
4. Appuyez sur le bouton ON/OFF (A) sur le panneau de commande ; la DEL verte (B) s'allume. (Fig. 33)
5. Relâchez l'antidémarrage. (Fig. 34)
6. Poussez la poignée de frein moteur en direction du guidon. (Fig. 35)

## Pour utiliser la fonction SavE

Le produit est équipé d'une fonction d'économie de la batterie (SavE) qui garantit une durée de fonctionnement prolongée.

1. Appuyez sur le bouton SavE (A) pour lancer la fonction. La DEL verte s'allume. (Fig. 36)
2. Appuyez à nouveau sur le bouton SavE pour arrêter la fonction. La DEL verte (B) s'éteint.

## Fonction charge élevée

Lorsque le produit coupe de l'herbe haute ou humide, le régime moteur augmente automatiquement. Le moteur repasse en mode standard lorsqu'une charge élevée n'est plus requise.

## Calage du moteur

Au cours de l'utilisation, la lame et le moteur peuvent s'arrêter temporairement en raison d'obstacles tels qu'un bourrage d'herbe sous le carter de coupe. Si cela se produit et que vous maintenez la poignée du frein moteur enfoncée, le produit redémarre automatiquement. Si le produit ne redémarre pas dans les 5 à 10 secondes, il peut être nécessaire de nettoyer le dessous du carter de coupe. Reportez-vous à la section *Pour nettoyer le produit à la page 164*.



**AVERTISSEMENT:** Si le moteur s'arrête, le produit tente de redémarrer automatiquement pendant 5 à 10 secondes. Attendez au moins 15 secondes avant de contrôler le carter de coupe.



**AVERTISSEMENT:** Avant de contrôler le carter de coupe, relâchez la poignée du frein moteur, tournez la clé de sécurité sur 0, retirez la batterie et attendez au moins 5 secondes. Il existe un risque de blessure si l'obstacle est retiré et que le produit démarre accidentellement.

## Pour arrêter le produit

Le produit s'arrête automatiquement s'il ne fonctionne pas pendant 10 minutes. Ne quittez jamais le produit des yeux pendant que le moteur tourne. Arrêtez le moteur, tournez la clé de sécurité sur 0 et déposez la batterie. Assurez-vous que le scarificateur ne tourne pas.

1. Relâchez la poignée de frein moteur pour arrêter le moteur. (Fig. 37)
2. Appuyez sur le bouton ON/OFF (A) sur le panneau de commande ; la LED verte (B) s'éteint. (Fig. 33)
3. Ouvrez le couvercle de batterie et tournez la clé de sécurité sur 0. (Fig. 38)
4. Pour retirer la batterie, appuyez simultanément sur les 2 boutons de déverrouillage et sortez la batterie. (Fig. 39)
5. Chargez la batterie si son niveau est faible. Pour plus d'informations, consultez la section *Pour charger la batterie à la page 162.*

## Entretien

### Introduction



**AVERTISSEMENT:** Avant d'effectuer des travaux d'entretien, vous devez lire et comprendre le chapitre sur la sécurité.

Une formation spécifique est nécessaire pour effectuer tous les travaux d'entretien et de réparation du produit. Nous garantissons qu'il vous est possible d'obtenir des services de réparation et d'entretien effectués par des professionnels. Si votre revendeur n'est pas un atelier

spécialisé, demandez-lui des informations à propos de l'atelier spécialisé le plus proche.

Pour des informations plus détaillées, reportez-vous à [www.husqvarna.com](http://www.husqvarna.com).

### Calendrier d'entretien

Les intervalles d'entretien sont calculés selon une utilisation quotidienne du produit. Les intervalles sont différents si le produit n'est pas utilisé tous les jours.

Pour l'entretien marqué d'un \*, reportez-vous à *Dispositifs de sécurité sur le produit à la page 159.*

S 138i	Toutes utilisations	Mensuel	À chaque saison
Faites une inspection générale.	X		
Nettoyez le produit.	X		
Inspectez le scarificateur.	X		
Assurez-vous que les dispositifs de sécurité sur le produit ne sont pas défectueux. *	X		
Examinez les capots. *	X		
Contrôlez la poignée du frein moteur. *	X		
Contrôlez l'antidémarrage. *	X		
Assurez-vous que le bouton ON/OFF fonctionne correctement et qu'il n'est pas défectueux.	X		
Examinez la batterie afin de détecter d'éventuels dommages.	X		
Contrôlez le niveau de charge de la batterie.	X		
Vérifiez que les boutons de déverrouillage de la batterie fonctionnent correctement et que la batterie se fixe dans le produit.	X		

S 138i	Toutes utilisations	Mensuel	À chaque saison
Examinez le chargeur de batterie afin de détecter d'éventuels dommages et assurez-vous qu'il fonctionne correctement.		X	
Examinez les connexions entre la batterie et le produit. Examinez également la connexion entre la batterie et le chargeur de batterie.			X

## Pour faire une inspection générale

- Assurez-vous que les vis et les écrous du produit sont serrés.
- Assurez-vous que les câbles sur le produit ne sont pas dans une position où ils risquent d'être endommagés.

## Pour nettoyer le produit

- Nettoyez les éléments en plastique avec un chiffon sec et propre.
- N'utilisez pas d'eau pour nettoyer le produit. L'eau pourrait pénétrer dans la batterie ou le moteur et provoquer un court-circuit ou endommager le produit.
- N'utilisez pas de nettoyeur haute pression pour le nettoyage du produit.
- Ne jetez pas d'eau directement sur le moteur.
- Utilisez une brosse pour enlever les feuilles, l'herbe et la saleté.

## Pour nettoyer la batterie et le chargeur de batterie



**AVERTISSEMENT:** Ne nettoyez pas la batterie ou le chargeur de batterie avec de l'eau.



**AVERTISSEMENT:** N'utilisez pas de substances chimiques pour nettoyer la batterie.

- Assurez-vous que la batterie et le chargeur de batterie sont propres et secs avant de placer la batterie dans le chargeur de batterie.
- Nettoyez les bornes de la batterie avec de l'air comprimé ou un chiffon sec et doux.
- Nettoyez les surfaces de la batterie et du chargeur de batterie avec un chiffon sec et doux.

## Inspection du scarificateur



**AVERTISSEMENT:** Pour éviter tout démarrage accidentel, tournez la clé de sécurité sur 0, retirez la batterie et attendez au moins 5 secondes.



**AVERTISSEMENT:** Utilisez des gants de protection lorsque vous procédez à l'entretien du scarificateur. Les griffes du scarificateur sont extrêmement tranchantes et peuvent entraîner facilement des coupures.

- Inspectez le scarificateur afin de détecter d'éventuels dommages ou fissures. Remplacez toujours un scarificateur endommagé.

## Pour remplacer l'équipement de démoussage



**AVERTISSEMENT:** Utilisez des gants de protection lorsque vous procédez à l'entretien de l'équipement de démoussage. L'équipement de démoussage est extrêmement tranchant et peut entraîner des coupures facilement

1. Placez le produit du bon côté. (Fig. 40)
2. Déposez les 2 vis (A) et le capot du démousseur (B). Poussez l'équipement de démoussage (C) vers le haut et sortez-le pour le retirer. (Fig. 41)
3. Poussez le nouvel équipement de démoussage (C) dans la rainure et dans le trou. Fixez le capot du démousseur (B) et les 2 vis (A) (Fig. 42)

---

## Dépannage

---

### Batterie

LED sur la batterie	Cause	Solution
La LED verte clignote.	La tension de la batterie est faible.	Rechargez la batterie. Reportez-vous à la section <i>Pour charger la batterie à la page 162.</i>
La LED d'erreur de la batterie clignote.	La batterie est trop froide ou trop chaude pour être utilisée.	Laissez la batterie refroidir ou déplacez-la à l'intérieur pour la réchauffer. Lorsque la température de la batterie est correcte, elle peut à nouveau être utilisée. N'utilisez la batterie du produit que si la température ambiante est comprise entre 5 °C et 40 °C.
	La batterie est vide.	Rechargez la batterie. Reportez-vous à la section <i>Pour charger la batterie à la page 162.</i>
La LED d'erreur de la batterie s'allume.	Cela indique une erreur de batterie permanente.	Contactez votre atelier d'entretien Husqvarna.

### Chargeur de batterie

LED sur le chargeur de batterie	Cause	Solution
La LED d'erreur clignote ou s'allume.	Le chargeur de batterie est trop froid ou trop chaud pour être utilisé.	Laissez le chargeur de batterie refroidir ou déplacez-le à l'intérieur pour le réchauffer. Lorsque la température du chargeur de batterie est correcte, il peut à nouveau être utilisé. N'utilisez le chargeur de batterie que si la température ambiante est comprise entre 5 °C et 40 °C.
	Autres erreurs.	Contactez votre atelier d'entretien Husqvarna.

## Panneau de commande

Erreur	Code d'erreur (nombre de clignotements)	Défaillances possibles	Action possible
La LED d'erreur clignote	3	Le moteur est en surcharge.	Diminuez la profondeur de travail. Reportez-vous à la section <i>Pour régler la profondeur de coupe à la page 161</i> . Si la LED d'erreur continue à clignoter, le scarificateur est bloqué. Pour éviter tout démarrage accidentel, tournez la clé de sécurité sur 0, retirez la batterie et attendez au moins 5 secondes. Assurez-vous que le scarificateur peut bouger librement. Si le problème persiste, contactez un agent d'entretien agréé.
	5	La vitesse du moteur chute trop et le moteur s'arrête.	
	9	La commande du moteur est trop chaude.	Arrêtez le moteur et attendez qu'il refroidisse.
	7	Erreur de batterie ou pas de signal de batterie.	Placez la batterie dans le produit correctement et examinez le connecteur de batterie. Si la LED d'erreur de la batterie clignote, reportez-vous à la section <i>Batterie à la page 165</i> .
La batterie est faible.		Rechargez la batterie. Reportez-vous à la section <i>Pour charger la batterie à la page 162</i> .	
Le produit s'arrête	6	La batterie est faible.	Rechargez la batterie. Reportez-vous à la section <i>Pour charger la batterie à la page 162</i> .
	Aucun clignotement.	Défaillance du connecteur de batterie.	Examinez le connecteur de batterie.
Autres erreurs	Si d'autres erreurs se produisent, tournez la clé de sécurité sur 0, retirez la batterie et parlez à un agent spécialisé agréé.		

## Transport, entreposage et mise au rebut

### Introduction



**AVERTISSEMENT:** Pour éviter tout démarrage accidentel lors du transport et du remisage, tournez la clé de sécurité sur 0, retirez la batterie et attendez au moins 5 secondes.

### Transport

- La législation sur les marchandises dangereuses s'applique aux batteries au lithium-ion fournies.
- Les exigences spécifiques au transport commercial indiquées sur l'emballage et les étiquettes doivent être respectées.

- Assurez-vous de toujours respecter la législation sur les matières dangereuses lorsque vous préparez le produit pour le transport. Des réglementations locales peuvent s'appliquer.
- Retirez toujours la batterie lorsque vous déplacez le produit.
- Posez du ruban adhésif sur les connecteurs de batterie et assurez-vous que la batterie ne puisse pas bouger pendant le transport.
- Sécurisez le produit pendant le transport.

### Remisage

- Retirez toujours les batteries lorsque vous remisez le produit.
- Laissez le produit refroidir avant le remisage.

- Pour éviter tout accident, assurez-vous que la batterie n'est pas reliée au produit au moment du remisage.
- Conservez le chargeur de batterie dans un endroit sec et fermé.
- Conservez la batterie et le chargeur de batterie dans un endroit sec, à l'abri de l'humidité et du gel.
- Débranchez la batterie du chargeur lors du remisage.
- Ne conservez pas la batterie dans un endroit présentant un risque d'électricité statique. Ne conservez pas la batterie dans une boîte métallique.
- Entreposez le produit à une température ambiante comprise entre -10 °C et 40 °C.
- Entreposez la batterie dans un endroit où la température est comprise entre 5 °C et 25 °C, à l'abri du soleil.
- Entreposez le chargeur de batterie dans un endroit où la température est comprise entre 5 °C et 45°C, à l'abri du soleil.
- Assurez-vous que la batterie est chargée entre 30 % et 50 % avant de la remettre pendant de longues périodes.
- Conservez le produit, la batterie et le chargeur de batterie dans un endroit verrouillé, hors de portée des enfants et des personnes non autorisées.
- Nettoyez le produit et assurez-vous que le bac de ramassage est vide.
- Effectuez les tâches d'entretien décrites dans le présent manuel d'utilisation. Reportez-vous à la section *Calendrier d'entretien* à la page 163.
- Effectuer un entretien complet avant un remisage prolongé.

## Mise au rebut

Les symboles figurant sur le produit ou l'emballage indiquent que ce produit ne peut pas être traité comme un déchet domestique ordinaire. Il doit être déposé dans un site de recyclage prévu pour la récupération d'équipements électriques et électroniques.

En prenant soin correctement de ce produit, vous contribuez à compenser l'éventuel effet négatif sur l'environnement et les personnes, qui autrement pourrait être engendré par la mauvaise gestion de la mise au rebut du produit. Pour obtenir de plus amples informations sur le recyclage de ce produit, contactez votre municipalité, votre service des ordures ménagères ou le magasin où vous avez acheté ce produit.

(Fig. 43)

---

## Caractéristiques techniques

---

### Caractéristiques techniques

<b>S 138i</b>	
<b>Moteur</b>	
Type de moteur	BLDC (sans balais) 36 V
Vitesse de l'accessoire - SavE, tr/min	3 000
Vitesse de l'accessoire - nominale, tr/min	3 200
Sortie du moteur - max. kW	1,28
Sortie moteur - nominale, kW	0,9
<b>Poids</b>	
Poids sans sac (sans batterie), kg	19,5
Poids avec sac (y compris 1 x BLI30), kg	23
<b>Batterie</b>	
Type de batterie	Gamme de machines à batterie Husqvarna
<b>Durée de fonctionnement de la batterie</b>	
Autonomie de la batterie, min. (fonctionnement libre) avec fonction SavE activée et une batterie Husqvarna de 7,5 Ah (BLI30).	195

<b>S 138i</b>	
Autonomie de la batterie, min, (fonctionnement libre) avec mode standard activé et une batterie Husqvarna de 7,5 Ah (BLi30).	175
<b>Émissions sonores</b> <sup>28</sup>	
Niveau de puissance acoustique mesuré, dB (A)	89
Niveau de puissance acoustique garanti L <sub>WA</sub> , dB (A)	91
<b>Niveaux sonores</b> <sup>29</sup>	
Niveau de pression sonore à l'oreille de l'utilisateur, dB (A)	75
<b>Niveaux de vibrations</b> <sup>30</sup>	
Poignée, m/s <sup>2</sup>	5,5
<b>Fonctionnement</b>	
Profondeur de coupe max/min, mm	-8/+5
Largeur de coupe, cm	37,5
Fixation des griffes	5973510-01
Fixation des dents flexibles	5973509-01
Capacité du bac de ramassage, en litres	45

Batteries homologuées	Type	Capacité de la batterie, Ah	Tension, V	Poids, lb/kg
BLi30	Lithium-ion	7,5	36	4,2/1,9
40-B140	Lithium-ion	4,0	36	2,6/1,2

Chargeurs agréés pour les batteries spécifiées, BLi	Tension d'entrée, V	Fréquence, Hz	Puissance, W
40-C80	100-240	50-60	68,8
QC250	220-240	50	250

<sup>28</sup> Émissions sonores dans l'environnement mesurées comme puissance acoustique (L<sub>WA</sub>) selon la directive européenne CE 2000/14/CE.

<sup>29</sup> Les données reportées pour le niveau de pression sonore présentent un facteur d'incertitude (K) de 1,5 dB (A).

<sup>30</sup> Les données reportées pour le niveau de vibration présentent un facteur d'incertitude (K) de 1,5 m/s<sup>2</sup>. La valeur totale déclarée des vibrations résulte d'une mesure conforme à la norme EN 62841-4-7, Annexe I, et peut être utilisée pour comparer une machine à une autre et dans le cadre d'une évaluation préliminaire de l'exposition.



---

## Déclaration de conformité

---

## Déclaration de conformité UE

Nous, **Husqvarna AB**, SE-561 82 Huskvarna, Suède,  
tél : +46-36-146500, déclarons sous notre entière  
responsabilité que le produit :

<b>Description</b>	Scarificateur
<b>Marque</b>	Husqvarna
<b>Type/Modèle</b>	S 138i
<b>Identification</b>	Numéros de série de l'année 2023 et ultérieurs

est entièrement conforme à la réglementation et aux  
directives de l'UE suivantes :

<b>Directive/Réglementation</b>	<b>Description</b>
2011/65/UE	« relative à la limitation de l'utilisation de certaines substances dangereuses au sein d'équipements électriques et électroniques »
2006/42/CE	« relative aux machines »
2014/30/UE	« relative à la compatibilité électromagnétique »
2000/14/CE	« relative aux émissions sonores dans l'environnement »

et que les normes et/ou les spécifications techniques  
suivantes sont appliquées : EN 62841-1:2015/A11:2022,  
EN IEC 62841-4-7:2022/A11:2022, EN ISO 12100:2010,  
EN 55014-1:2017/A11:2020, EN 55014-2:2015, EN IEC  
63000:2018.

Pour toute information relative aux émissions sonores,  
reportez-vous à la section *Caractéristiques techniques* à  
la page 167.

Huskvarna, 2023-12-30



Claes Losdal  
Directeur du développement/Articles de jardinage  
Husqvarna AB  
Responsable de la documentation technique



---

## Sadržaj

---

Uvod.....	171	Rješavanje problema.....	180
Sigurnost.....	172	Prijevoz, spremanje i zbrinjavanje.....	181
Sastavljanje.....	177	Tehnički podaci.....	182
Rad.....	177	Izjava o sukladnosti.....	184
Održavanje.....	179		

---

## Uvod

---

### Opis proizvoda

Ovaj je proizvod električni prozračivač kojim upravljaju pješaci. Ovaj proizvod uklanja otpalu travu s travnjaka i omekšava tlo kako bi zrak i voda prodri u travnjak. Otpala se trava sakuplja u sakupljaču trave ili se ispušta na travnjak. Ovaj proizvod ima dvije vrste nastavaka prozračivača.

### Nastavci prozračivača

Pogledajte *Zamjena nastavaka prozračivača na stranici 180* za informacije o načinu zamjene nastavaka prozračivača.

### Zupci noža

Zupci noža uklanjaju otpalu travu i okomito režu korijenje trave. Zupce noža upotrebljavajte na nagibima,

### Pregled proizvoda

(Sl. 1)

1. Ručka kočnice motora
2. Gornja ručica
3. Upravljačka ploča
4. Blokada pokretanja
5. Donja ručica
6. Sakupljač trave
7. Stražnji poklopac
8. Poklopac prozračivača
9. Poklopac baterije
10. Gumb za prilagodbu dubine rada
11. Sigurnosni ključ
12. LED indikator ON/OFF
13. Gumb ON/OFF
14. Gumb SavE
15. LED indikator SavE
16. Indikator punjenja baterije i gumb za bateriju
17. Opružni zupci
18. Baterija (dodatna oprema)
19. Punjač baterije (dodatna oprema)
20. Šesterokutni ključ
21. Korisnički priručnik

terasama i na tlu s visokim udjelom ilovače. Zupci noža omogućuju prodor vode u travnjak te sprječavaju nakupljanje vode na površini

(Sl. 17)

### Opružne vile

Opružne vile pažljivo uklanjaju mrtvu travu i otpalu travu s travnjaka, a pritom ne oštećuju korijenje trave.

(Sl. 18)

### Namjena

Upotrebljavajte ovaj proizvod za uklanjanje otpale trave i mahovine te za omekšavanje tla u privatnim vrtovima. Proizvod nemojte upotrebljavati za druge zadatke.

### Simboli na proizvodu

(Sl. 2) UPOZORENJE

(Sl. 3) Pročitajte upute.

(Sl. 4) UPOZORENJE – pazite na izbačene predmete.

(Sl. 5) Promatračima onemogućite pristup.

(Sl. 6) UPOZORENJE – šake i stopala držite podalje od zubaca.

(Sl. 7) Odspojite bateriju prije održavanja.

(Sl. 8) Nemojte izlagati kiši.

(Sl. 9) Ovaj proizvod ima zaštitu od prskanja vode.

(Sl. 10) Ovaj je proizvod u suglasnosti je s važećim direktivama EZ-a.

(Sl. 11) Ovaj je proizvod u skladu s važećim direktivama UK-a.

(Sl. 12) Najlepnicna emisije buke u okolišu u skladu s direktivama i propisima EU i UK te propisom Novog Južnog Walesa „Zaštita od radova u okolišu (kontrola buke) iz 2017“. Zajamčena razina jačine zvuka proizvoda naznačena je u *Tehnički podaci na stranici 182* i na naljepnici.

(Sl. 15) Reciklirajte ovaj proizvod u reciklažnoj stanici za električnu i elektroničku opremu. (Primjenjuje se samo u Europi)

(Sl. 16) Postupak pokretanja: pritisnite gumb ON/OFF, otpustite blokadu pokretanja, pritisnite ručicu kočnice motora.

(Sl. 13) Za zaustavljanje otpustite ručku kočnice motora.

(Sl. 14) Kôd koji se može skenirati.

---

**Napomena:** Drugi simboli/naljepnice na proizvodu odnose se na zahtjeve za certifikaciju na pojedinim tržištima.

---

## Oštećenje proizvoda

U sljedećim okolnostima nećemo biti odgovorni za oštećenja proizvoda:

- proizvod nepravilno popravljen
- proizvod popravljen dijelovima koje nije proizveo proizvođač ili nemaju odobrenje proizvođača
- proizvod ima dodatnu opremu koje nije proizveo proizvođač ili nemaju odobrenje proizvođača
- proizvod nije popravljen u odobrenom servisnom centru ili kod ovlaštene osobe.

---

## Sigurnost

---

### Sigurnosne definicije

Upozorenjima, oprezima i napomenama naglašavaju se posebno važni dijelovi priručnika.



**UPOZORENJE:** Koristi se kada nepoštivanje uputa iz priručnika može uzrokovati smrt ili ozljede rukovatelja ili promatrača.



**OPREZ:** Koristi se kada nepoštivanje uputa iz priručnika može uzrokovati oštećenje proizvoda ili drugih materijala u neposrednoj blizini.

**Napomena:** Koristi se prikaz neophodnih dodatnih informacija za zadanu situaciju.

### Opća sigurnosna upozorenja za proizvod



**UPOZORENJE:** Pročitajte sva sigurnosna upozorenja, upute, ilustracije i specifikacije isporučene s ovim proizvodom. Nepoštivanje svih uputa u nastavku može uzrokovati električni udar, požar i/ili ozbiljne ozljede.

**Spremite sva upozorenja i upute za buduće potrebe.**

Pojam „proizvod“ u upozorenjima odnosi se na proizvod napajana iz mreže (žični) ili baterijski proizvod (bežični).

### Sigurnost na radnom mjestu

- **Radno mjesto mora biti čisto i dobro osvijetljeno.** Zakrčeni i tamni prostori čest su uzrok nesreća.
- **Proizvod nemojte koristiti u eksplozivnim okruženjima, primjerice u prisutnosti zapaljivih tekućina, plinova ili prašine.** Proizvod proizvodi iskre koje mogu zapaliti prašinu ili isparavanja.
- **Tijekom rada s proizvodom u blizini se ne smiju zadržavati djeca ni promatrači.** Svako ometanje može uzrokovati gubitak nadzora nad strojem.

### Osobna sigurnost

- **Budite usredotočeni, pazite što radite i razumno upotrebljavajte proizvod.** Proizvod nemojte upotrebljavati umorni ili pod djelovanjem droga, alkohola ili lijekova. Trenutak nepažnje pri upotrebi proizvoda može uzrokovati ozbiljne tjelesne ozljede.
- **Upotrebljavajte opremu za osobnu zaštitu. Uvijek nosite zaštitu za oči.** Upotreba zaštitne opreme poput maske za prašinu, protukliznih zaštitnih cipela, kacige i štitnika za uši u odgovarajućim uvjetima smanjuje opasnost od tjelesnih ozljeda.
- **Spriječite nehotično pokretanje stroja. Prije priključivanja proizvoda na napajanje i/ili baterijski komplet te podizanja ili prenošenja sklopka mora biti u isključenom položaju.** Držanje prsta na sklopki prilikom prenošenja proizvoda ili priključivanje

napajanja proizvoda na kojima je sklopka uključena povećava opasnost od nezgode.

- **Prije uključivanja proizvoda izvadite klin za prilagođavanje ili uklonite ključ.** Ako ključ ili klin ostanu na pokretnom dijelu proizvoda, može doći do ozljeda.
- **Ne posežite predaleko. Uvijek imajte dobar oslonac i održavajte ravnotežu.** To omogućuje bolju kontrolu proizvoda u neočekivanim situacijama.
- **Nosite prikladnu odjeću. Nemojte nositi široku odjeću ni nakit.** Kosu i odjeću držite podalje od pomičnih dijelova. Široka odjeća, nakit ili duga kosa mogu zapeti u pokretnim dijelovima stroja.
- **Ako su priloženi uređaji za povezivanje mehanizama za izdvajanje i prikupljanje prašine, pripazite na njihovo pravilno priključivanje i upotrebu.** Upotreba mehanizma za prikupljanje prašine može smanjiti opasnosti uzrokovane prašinom.
- **Zbog rutine nastale čestom primjenom proizvoda nemojte postati samodopadni te zanemarivati sigurnosna pravila.** Neoprezan rad u djeliću sekunde može uzrokovati ozbiljnu ozljedu.

## Korištenje i održavanje

- **Nemojte preopterećivati proizvod. Upotrebljavajte proizvod koja odgovara namjeni.** Odgovarajućim proizvodom posao ćete obaviti bolje i sigurnije, brzinom za koju je dizajniran.
- **Nemojte upotrebljavati proizvod ako sklopka nije moguće uključiti i isključiti.** Proizvod kojim ne možete upravljati sa sklopkom opasan je i mora se popraviti.
- **Prije bilo kakvih izmjena, zamjene dodatne opreme ili spremanja proizvoda odspojite utikač od izvora napajanja i/ili izvadite baterijski paket iz proizvoda, ako je to moguće.** Te preventivne sigurnosne mjere smanjuju opasnost od nehotičnog pokretanja proizvoda.
- **Proizvode koji nisu u uporabi uskladištite izvan dohvata djece, a osobama koje nisu upoznate s proizvodom i nisu pročitale ove upute nemojte dopustiti upotrebu proizvoda.** Proizvodi mogu biti opasni kada njima rukuju neiskusni korisnici.
- **Održavajte proizvode i dodatnu opremu. Provjerite usklađenost pokretnih dijelova, povezanost pokretnih dijelova, cjelovitost dijelova te sva druga stanja koja mogu utjecati na rad proizvoda. Ako postoje oštećenja, prije upotrebe popravite proizvod.** Brojne nezgode uzrokovane su lošim održavanjem proizvoda.
- **Alati za rezanje moraju biti oštri i čisti.** Ispravno održavani alati za rezanje s oštrim reznim oštricama neće se zablokirati te ih je lakše kontrolirati.
- **Proizvod, dodatnu opremu, svrdla itd. upotrebljavajte u skladu s ovim uputama, uzimajući u obzir uvjete rada i posao koji je potrebno obaviti.** Upotreba proizvoda za radove za koje nije namijenjen može uzrokovati opasne situacije.
- **Ručke i prihvatne površine moraju biti suhe, čiste i bez tragova ulja i masti.** Klizave ručke i prihvatne

površine u neočekivanim situacijama onemogućuju sigurno rukovanje i kontrolu nad proizvodom.

## Upotreba i čišćenje alata za bateriju

- **Bateriju punite samo punjačem koji je odredio proizvođač.** Punjač prikladan za jedan tip baterije može izazvati rizik od požara ako se koristi s drugom baterijom.
- **Proizvode upotrebljavajte samo uz posebno namijenjene baterijske komplete.** Upotreba bilo koje druge baterije može izazvati rizik od ozljede i požara.
- **Kad bateriju ne koristite, držite je daleko od ostalih metalnih predmeta kao što su spojnice za papir, novčići, ključevi, čavli, vijci ili drugi mali metalni predmeti koji bi mogli dovesti do spoja između priključaka.** Kratki spoj između priključaka baterije može prouzročiti opekline ili požar.
- **U uvjetima lošeg postupanja, iz baterije može štrcnuti tekućina, izbjegavajte dodir s njom. Ako slučajno dođe do dodira, isperite vodom. Ako tekućina dođe u dodir s očima, potražite i liječničku pomoć.** Tekućina koja štrcne iz baterije može izazvati iritacije ili opekline.
- **Nemojte upotrebljavati baterijski komplet ili alat koji je oštećen ili modificiran.** Oštećene ili modificirane baterije mogu se nepredvidivo ponašati i time dovesti do požara, eksplozije ili opasnosti od ozljede.
- **Baterijski komplet ni alat nemojte izlagati vatri ni ekstremnim temperaturama.** Izlaganje vatri ili temperaturama većima od 130 °C / 265 °F može dovesti do eksplozija.
- **Pridržavajte se svih uputa za punjenje i baterijski komplet ni alat nemojte puniti izvan temperaturnog raspona navedenog u uputama.** Neispravno punjenje ili držanje na temperaturama izvan navedenog raspona može oštetiti bateriju i povećati mogućnost požara.

## Usluga

- **Proizvod mora servisirati obučeni serviser isključivo s jednakim zamjenskim dijelovima.** Time se osigurava zadržavanje sigurnosti proizvoda.
- **Oštećene baterijske pakete nikada nemojte servisirati.** Servisiranje baterijskih paketa dopušteno je samo proizvođaču ili ovlaštenim servisnim distributerima.

## Sigurnosna upozorenja za proizvod

- **Izbjegavajte upotrebu proizvoda tijekom loših vremenskih uvjeta, pogotovo ako postoji opasnost od gmljavinskog nevremena.** Time smanjujete opasnost od udara munje.
- **Detaljno provjerite ima li u području upotrebe proizvoda divljih životinja.** Proizvod tijekom rada može ozlijediti divlje životinje.
- **Detaljno pregledajte područje upotrebe proizvoda te uklonite sve kamenje, grane, žice, kosti i druge strane predmete.** Izbačeni predmeti mogu uzrokovati tjelesne ozljede.

- **Prije upotrebe proizvoda obavezno vizualno provjerite jesu li zupci i sklop zubaca neoštećeni.** Oštećeni ili istrošeni dijelovi povećavaju opasnost od ozljede.
- **Često provjeravajte je li sakupljač trave istrošen ili pohaban.** Oštećeni ili istrošeni sakupljač trave povećava opasnost od tjelesne ozljede.
- **Štitnici moraju biti postavljeni. Štitnici moraju biti ispravni i pravilno postavljeni.** Nepričvršćen, oštećen ili neispravan štitnik može uzrokovati tjelesnu ozljedu.
- **Sve ulaze rashladnog zraka čistite od ostataka.** Neprohodni ulazi zraka i ostaci mogu uzrokovati pregrijavanje ili opasnost od požara.
- **Tijekom rada s proizvodom obavezno nosite protukliznu i zaštitnu obuću. Proizvod nemojte upotrebljavati bosonogi ni u otvorenim sandalama.** Tako smanjujete mogućnost ozljede stopala pri kontaktu sa zupcima u pokretu.
- **Tijekom upotrebe proizvoda obavezno nosite duge hlače.** Vjerojatnost ozljeđivanja izbačenim predmetima povećava se kada je koža izložena.
- **Proizvod nemojte pogoniti u mokroj travi. Hodajte, nemojte trčati.** Tako smanjujete opasnost od klizanja i pada, pri čemu može doći do osobne ozljede.
- **Proizvod nemojte upotrebljavati na izrazito strmim kosinama.** Tako smanjujete opasnost od gubitka kontrole, klizanja i pada, pri čemu može doći do osobne ozljede.
- **Kada radite na kosinama, uvijek provjerite uporište, uvijek radite poprečno duž kosine, nikada uz ili niz, i budite iznimno pažljivi pri promjeni smjera.** Tako smanjujete opasnost od gubitka kontrole, klizanja i pada, pri čemu može doći do osobne ozljede.
- **Budite iznimno oprezni prilikom hoda unatrag ili povlačenja proizvoda prema sebi. Uvijek budite svjesni svoje okoline.** Tako smanjujete opasnost od pada tijekom rada.
- **Kada provodite radnju pri kojoj zupci mogu doći u kontakt sa skrivenim ožičenjem ili vlastitim kablom, proizvod držite isključivo za izolirane prihvatne površine.** Pri kontaktu zubaca sa žicom pod naponom na izložene metalne dijelove stroja također se može narinuti napon, a rukovatelj može pretrpjeti strujni udar.
- **Nemojte dodirivati zupce i druge opasne pokretne dijelove dok su još u pokretu.** Time smanjujete opasnost od ozljeđivanja na pokretnim dijelovima.
- **Pri uklanjanju zaglavljeno materijala ili čišćenju proizvoda provjerite jesu li sve električne sklopke isključene, a baterijski komplet odspojen.** Neočekivano pokretanje proizvoda može uzrokovati ozbiljne tjelesne ozljede.
- Proizvod je opasan ako ga koristite nepravilno ili ako niste oprezni. Nepoštivanje sigurnosnih uputa može uzrokovati ozljede ili smrt.
- Proizvod tijekom rada proizvodi elektromagnetsko polje. To polje u određenim okolnostima može ometati aktivne ili pasivne medicinske implantate. Za smanjenje opasnosti od smrtonosne ozljede osobama s medicinskim implantatima prije korištenja uređaja preporučujemo obraćanje liječniku i proizvođaču medicinskog implantata.
- Uvijek budite pažljivi i razumni. Ako u posebnim situacijama niste sigurni u način upotrebe stroja, prije nastavka stanite i obratite se svom distributeru tvrtke Husqvarna.
- Imajte na umu kako se rukovatelj smatra odgovornim za nezgode koje uključuju druge osobe ili njihovo vlasništvo.
- Proizvod održavajte čistim. Znakovi i naljepnice moraju biti jasno čitljivi.
- Djeci ili osobama koje nisu upoznate s ovim uputama ne dopuštajte da upotrebljavaju uređaj. Dob korisnika može biti ograničena lokalnim propisima.
- Osobu smanjenih fizičkih ili mentalnih sposobnosti obavezno nadzirite tijekom uporabe proizvoda. Cijelo vrijeme mora biti prisutna odgovorna odrasla osoba.
- Proizvod nemojte upotrebljavati kada ste umorni, bolesni ili pod utjecajem alkohola, droge ili lijekova. To negativno utječe na vaš vid, pažnju, koordinaciju i prosudbu.
- Nemojte upotrebljavati proizvod ako je oštećen ili neispravan.
- Nemojte izmjenjivati proizvod ili ga upotrebljavati ako postoji mogućnost da je izmijenjen.

## Sigurnost pri radu



**UPOZORENJE:** Prije upotrebe proizvoda pročitajte upute upozorenja u nastavku.

- Ovim se proizvodom koristite samo za uklanjanje otpale trave i mahovine s travnjaka. Upotreba za druge zadatke nije dopuštena.
- Upotrebljavajte osobnu zaštitnu opremu. Pogledajte *Oprema za osobnu zaštitu na stranici 175*.
- Naučite brzo zaustaviti motor u slučaju nužde.
- Proizvod nemojte pogoniti na kiši ni u mokrim uvjetima. Time povećavate opasnost od strujnog udara.
- Proizvod upotrebljavajte samo ako su zupci i svi poklopci pravilno postavljeni. Nepravilno postavljeni zupci mogu se otpustiti i uzrokovati osobne ozljede.
- Pazite da zupcima ne udarate u predmete poput kamenja ili korigenja. Time ih možete oštetiti i saviti vratilo motora. Savijena osovinu uzrokuje snažne vibracije i vrlo visoku opasnost od otpuštanja zubaca.

## Opće sigurnosne upute



**UPOZORENJE:** Prije upotrebe proizvoda pročitajte upute upozorenja u nastavku.

- Ako zupcima udarite u predmet ili osjetite vibracije, odmah zaustavite proizvod. Zaustavite motor, okrenite sigurnosni ključ na 0 i uklonite bateriju. Pričekajte na zaustavljanje pokretnih dijelova. Pregledajte je li proizvod oštećen. Zategnite nepričvršćene dijelove. Popravite oštećenja i zamijenite oštećene dijelove. Popravke prepustite odobrenom servisnom agentu.
- Ručicu kočnice motora nikada trajno nemojte pričvrstiti za ručku kada je motor u pogonu.
- Proizvod postavite na stabilnu, ravnu površinu i pokrenite ga. Zupci ne smiju udarati u tlo ili druge predmete.
- Tijekom rukovanja proizvodom obavezno budite iza njega.
- Tijekom rukovanja proizvodom svi kotači trebaju biti na tlu, a obje ruke na ručki. Šake i stopala držite podalje od rotirajućih zubaca.
- Nemojte naginjati proizvod tijekom pokretanja motora ili njegovog pogona.
- Budite pažljivi pri povlačenju proizvoda unatrag.
- Proizvod nikada nemojte podizati kada je motor pokrenut. Ako morate podići proizvod, prvo zaustavite motor, okrenite sigurnosni ključ na 0 i uklonite bateriju.
- Tijekom rada s proizvodom nemojte hodati unatrag.
- Zaustavite motor kada je proizvod nužno nagnuti radi transporta ili prelaska preko površina bez trave, primjerice šljunčanih, kamenih ili asfaltnih putova.
- Nemojte trčati s proizvodom kada je motor pokrenut. Obavezno hodajte tijekom rada s proizvodom.
- Prije promjene dubine rada zaustavite motor. Nemojte provoditi prilagodbe s pokrenutim motorom.
- Proizvod s pokrenutim motorom ne ispuštajte iz vida. Zaustavite motor, okrenite sigurnosni ključ na 0 i uklonite bateriju. Provjerite da se nastavak prozračivača ne okreće.
- Vibracije na proizvodu u pogonu mogu se razlikovati od vrijednosti vibracija navedenih pod *Tehnički podaci na stranici 182*. Razlikuju uzrokuju varijacije u načinu upotrebe proizvoda. Ako proizvod često pogonite dugo, redovito odmarajte kako biste spriječili ozljede uzrokovane vibriranjem.

## Sigurnosne upute za rad

### Oprema za osobnu zaštitu



**UPOZORENJE:** Prije upotrebe proizvoda pročitajte upozoravajuće upute u nastavku.

- Oprema za osobnu zaštitu ne može u potpunosti spriječiti ozljede, no smanjuje stupanj ozljede u slučaju nezgode. Pri odabiru odgovarajuće opreme zatražite pomoć ovlaštenog trgovca.
- Nosite čizme otporne na klizanje ili cipele za teške uvjete rada. Nemojte nositi otvorene cipele ili biti bos.

- Nosite teške, duge hlače.
- Prema potrebi nosite zaštitne rukavice, primjerice prilikom pričvršćivanja, pregleda ili čišćenja rezne opreme.
- Preporučujemo upotrebu zaštite sluha.

### Sigurnosni uređaji na proizvodu



**UPOZORENJE:** Prije upotrebe proizvoda pročitajte upute upozorenja u nastavku.

- Proizvod nemojte upotrebljavati sa sigurnosnim uređajima koji su oštećeni ili nisu ispravni.
- Sigurnosne uređaje nije dopušteno uklanjati ili izmjenjivati.
- Redovito pregledavajte sigurnosne uređaje. Ako su sigurnosni uređaji oštećeni ili nisu ispravni, obratite se ovlaštenom serviseru tvrtke Husqvarna.

### Provjera poklopaca

Poklopac prozračivača smanjuje vibriranje proizvoda te opasnost od ozljede nastavkom prozračivača.

- Provjerite ima li na bočnom poklopcu prozračivača oštećenja, primjerice napuklina.
- Provjerite ima li na stražnjem poklopcu prozračivača oštećenja, primjerice napuklina.

### Ručka kočnice motora

Ručicom kočnice motora zaustavljate motor. Motor se zaustavlja po otpuštanju ručice kočnice motora.

Za provjeru ručice kočnice motora pokrenite motor i potom otpustite ručicu kočnice motora. Ako se motor ne zaustavi za 3 sekunde, podesite kočnicu motora kod servisera tvrtke Husqvarna.

(Sl. 19)

### Sigurnosni ključ

Sigurnosni ključ nalazi se ispod poklopca baterije. Sigurnosni ključ upotrebljava se za priključak baterije koja napaja motor strujom.

- Pokrenite i zaustavite motor kako biste provjerili sigurnosni ključ.
- Ako sigurnosni ključ ispravno funkcionira, motor se pokreće samo kad je ključ okrenut na 1.

(Sl. 20)

### Pregled blokade pokretanja

Ispitajte blokadu pokretanja kako biste se uvjerali da sprječava pogon motora.

1. Ručku kočnice motora gurnite prema upravljaču. Blokada pokretanja zaustavlja pomak.
2. Istisnite blokadu pokretanja. (Sl. 21)
3. Otpustite blokadu pokretanja i provjerite vraća li se u početni položaj.

## Sigurnost baterije



**UPOZORENJE:** Prije upotrebe proizvoda pročitajte upute upozorenja u nastavku.

- Upotrebljavajte punjive baterije tvrtke Husqvarna samo za napajanje odgovarajućih proizvoda tvrtke Husqvarna. Bateriju nemojte upotrebljavati za napajanje drugih proizvoda jer postoji opasnost od ozljeda.
- Nemojte upotrebljavati baterije koje nisu punjive.
- Opasnost od strujnog udara. Polove baterije nemojte spajati s ključevima, kovanicama, vijcima ili drugim metalom. Tako može doći do kratkog spoja baterije.
- Nemojte umetati predmete u zračne utore baterije.
- Bateriju zaštitite od sunčeve svjetlosti, vrućine i otvorenog plamena. Baterija može eksplodirati i uzrokovati opekline i/ili kemijske opekline.
- Zaštitite bateriju od kiše i mokrih uvjeta.
- Zaštitite bateriju od mikrovalova i visokog tlaka.
- Bateriju nemojte rastavljati ili razbijati.
- Ako baterija počne propuštati, nemojte dopustiti da vam tekućina dospije na kožu ili u oči. Ako ste dodirnuli tekućinu, isperite površinu velikom količinom vode i zatražite medicinsku pomoć.
- Bateriju u proizvodu primjenjujte samo pri temperaturama okoline između 5 °C – 40 °C.
- Punjač baterije upotrebljavajte samo pri temperaturama okoline između 5 °C – 40 °C.
- Baterija se neće puniti ako je njezina temperatura viša od 50 °C.
- Bateriju ili punjač baterije nikada nemojte čistiti vodom. Pogledajte *Baterija na stranici 180*.
- Nemojte upotrebljavati oštećenu bateriju.
- Baterije skladištite dalje od metalnih predmeta poput čavala, kovanica i nakita.

## Sigurnost punjača baterije



**UPOZORENJE:** Prije upotrebe proizvoda pročitajte upute upozorenja u nastavku.

- Punjače baterija QC upotrebljavajte samo za punjenje zamjenskih baterija tvrtke Husqvarna.
- Opasnost od strujnog udara ili kratkog spoja. Nemojte umetati predmete u zračne utore punjača. Nemojte rastavljati punjač baterije. Priključke baterije nemojte spajati metalnim predmetima. Upotrebljavajte odobrenu mrežnu utičnicu.
- Proizvod tijekom rada proizvodi elektromagnetsko polje. To polje u određenim okolnostima može ometati aktivne ili pasivne medicinske implantate. Za smanjenje opasnosti od uvjeta koji mogu uzrokovati ozljede ili smrt, osobama s medicinskim implantatima prije korištenja ovog uređaja

preporučujemo obraćanje liječniku i proizvođaču medicinskog implantata.

- Redovno provjeravajte je li kabel za napajanje punjača baterije neoštećen te je li ispucao.
- Punjač baterije nemojte podizati za električni kabel. Za odspajanje punjača baterije od zidne utičnice izvucite utikač. Nemojte povlačiti kabel za napajanje.
- Kabel za napajanje i produžne kabele držite podalje od vode, ulja i oštih rubova. Kabel nemojte prignječiti vratima, ogradama i sl. To može nariniti napon na punjač.
- Punjač baterije nemojte prati vodom.
- Ovaj punjač baterije mogu koristiti djeca od 8 godina i starija te osobe s umanjanim fizičkim, osjetilnim ili mentalnim sposobnostima ili nedostatkom iskustva i znanja ako je osiguran njihov nadzor ili ako su upućeni u sigurno korištenje uređaja te razumiju obuhvaćene opasnosti. Djeca se ne smiju igrati punjačem baterije. Čišćenje i održavanje ne smiju provoditi djeca bez nadzora.
- Punjačima baterije nije dopušteno puniti baterije koje se ne mogu puniti.
- Punjač baterije nemojte upotrebljavati u blizini zapaljivih materijala ili materijala koji mogu uzrokovati koroziju. Nemojte pokrivati punjač baterije. Ako dođe do razvoja dima ili požara, odspojite utikač punjača baterije.
- Nemojte upotrebljavati neispravnu ili oštećenu bateriju ni punjač baterije.
- Bateriju puniti isključivo u zatvorenom, dobro prozračenom zatvorenom prostoru bez izravne sunčeve svjetlosti. Bateriju nije dopušteno puniti u vlažnim uvjetima.

## Sigurnosne upute za održavanje



**UPOZORENJE:** Prije upotrebe proizvoda pročitajte upute upozorenja u nastavku.

- Kako biste spriječili nenamjerno pokretanje tijekom održavanja, okrenite sigurnosni ključ na 0 i uklonite bateriju. Pričekajte najmanje 5 sekundi prije početka održavanja.
- Pravilno provedite radove održavanja kako biste produljili vijek trajanja proizvoda i smanjili opasnost od nezgoda. Profesionalna održavanja prepustite odobrenom serviseru. Za više informacija obratite se najbližem serviseru.
- Provodite samo održavanje opisano u ovom korisničkom priručniku. Opsežnije radove obavezno mora provoditi ovlašteni serviser.
- Kako biste spriječili ozljede, nemojte uklanjati ili izmjenjivati sigurnosne uređaje.
- Tijekom rada s nastavcima prozračivača nosite rukavice za teške uvjete rada. Nastavak prozračivača vrlo je oštar i lako dolazi do posjekotina.



- Zupce nastavka prozračivača održavajte naoštrenima i čistima kako biste osigurali najsigurnije radne značajke.
- Redovno pregledavajte proizvod i provodite potrebne prilagodbe i popravke kod servisera.
- Zamijenite oštećene, istrošene ili polomljene dijelove. Obavezno upotrebljavajte originalne rezervne dijelove odgovarajućeg proizvođača. Drugi rezervni dijelovi mogu oštetiti proizvod i povećavati opasnost od nezgoda.
- Pridržavajte se uputa za zamjenu dodatne opreme. Upotrebljavajte isključivo dodatnu opremu proizvođača.
- Kada ih ne upotrebljavate, proizvod, bateriju i punjač baterije skladištite odvojeno u zatvorenom, suhom i zaključanom prostoru. Djeci i neovlaštenim osobama onemogućite pristup proizvodu, bateriji i punjaču.

---

## Sastavljanje

---

### Uvod



**UPOZORENJE:** Prije sastavljanja proizvoda pročitajte poglavlje o sigurnosti.



**UPOZORENJE:** Kako biste spriječili nenamjerno pokretanje pri sastavljanju okrenite sigurnosni ključ na 0, uklonite bateriju i pričekajte najmanje 5 sekundi.

### Sastavljanje ručke

1. Otpustite donje vijke.
2. Pomaknite kotačiće u donji dio utora na lijevoj i desnoj strani proizvoda. (Sl. 22)
3. Postavite visinu ručke u jednu od dva dostupna položaja.

4. Pomičite kotačiće gore u smjeru ručke dok se ne zaustave uz škljocaj. (Sl. 23)
5. Kotačiće zategnite do kraja.

### Montaža sakupljača trave

1. Okvir sakupljača trave pričvrstite za vreću za travu tako da kruti dio vreće bude na dnu. Ručka okvira treba biti na vrhu vreće za travu. (Sl. 24)
2. Donji dio okvira sakupljača trave pričvrstite u utor na dnu sakupljača trave.
3. Vreću za travu kopčama pričvrstite za okvir sakupljača trave. (Sl. 25)
4. Podignite stražnji poklopac.
5. Pomaknite sakupljač trave u pravi položaj. (Sl. 26)
6. Pričvrstite sakupljač trave za gornji rub šasije. Pobrinite se da stražnji poklopac tijesno naliježe na sakupljač trave radi sprječavanja propuštanja. (Sl. 27)

---

## Rad

---

### Uvod



**UPOZORENJE:** Prije rada s proizvodom morate pročitati i usvojiti poglavlje o sigurnosti.

### Husqvarna Connect

Husqvarna Connect besplatna je aplikacija za mobilni uređaj. Aplikacija Husqvarna Connect pruža vam dodatne funkcije za proizvod Husqvarna.

- Opširnije informacije o proizvodu.
- Dodatne informacije i pomoć za dijelove i servisiranje proizvoda.

### Početak rada sa Husqvarna Connect

1. Preuzmite aplikaciju Husqvarna Connect na svoj mobilni uređaj.
2. Prijavite se na aplikaciju Husqvarna Connect.
3. Pratite upute u aplikaciji Husqvarna Connect kako biste se spojili i registrirali proizvod.

### Postavljanje dubine rada



**UPOZORENJE:** Tijekom rada s proizvodom nikada nemojte postavljati dubinu rada.

1. Pritisnite i suprotno od smjera kretanja kazaljke na satu okrenite gumb za prilagodbu dubine rada za povećanje dubine rada.
2. Pritisnite i u smjeru kretanja kazaljke na satu okrenite gumb za prilagodbu dubine rada za smanjenje dubine rada. (Sl. 28)

### Baterija



**UPOZORENJE:** Prije upotrebe baterije morate pročitati i usvojiti poglavlje o sigurnosti. Također morate pročitati i usvojiti korisnički priručnik za bateriju i punjač baterije.

Bateriju i punjač čuvajte na ispravnoj temperaturi okoline.

	Temperatura okoline
Rad baterije	5 °C – 40 °C
Punjenje baterije	5 °C – 40 °C

## Status baterije

Na zaslonu se prikazuje preostali kapacitet baterije te postoje li problemi s baterijom. Pritisnite gumb indikatora baterije da biste saznali stanje napunjenosti baterije. Kada dođe do pogreške uključuje se simbol upozorenja na bateriji. Pogledajte *Baterija na stranici 180*.

(Sl. 29)

LED indikatori	Status baterije
Svi LED indikatori svijetle	Potpuno napunjena (76 – 100%)
Svijetle indikatori LED 1, LED 2 i LED 3	Baterija je napunjena 51 – 75 %.
Svijetle indikatori LED 1 i LED 2	Baterija je napunjena 26 – 50 %.
Svijetli LED indikator 1.	Baterija je napunjena 6 – 25 %.
LED 1 indikator treperi	Baterija je napunjena 0 – 5 %.

## Zamjena baterije

Prije prve upotrebe napunite bateriju. Baterija je pri isporuci kupcu napunjena samo 30%.

**Napomena:** Punjač baterije morate spojiti na napon i frekvenciju koji su navedeni na natpisnoj pločici.

Baterija se ne puni ako je temperatura baterije viša od 50 °C. Punjač baterije smanjuje temperaturu baterije prije početka punjenja.

1. Jedan kraj kabela za napajanje punjača baterije priključite na utičnicu na punjaču baterije.
2. Drugi kraj kabela za napajanje punjača baterije priključite na uzemljenu mrežnu utičnicu. LED indikator na punjaču baterije zatreperi jednom zelenom bojom. (Sl. 30)
3. Postavite bateriju u punjač baterije. Ako je baterija pravilno priključena na punjač baterije, na punjaču se uključuje zeleni indikator. (Sl. 31)
4. Kada na bateriji svijetle svi LED indikatori, baterija je potpuno napunjena. Bateriju puniti najdulje 24 sata.
5. Za odspajanje punjača baterije od mrežne utičnice povucite priključak, ne kabel.
6. Izvadite bateriju iz punjača baterije.

## Pokretanje proizvoda

1. Umetnite potpuno napunjenu bateriju u odjeljak za bateriju 1 ispod poklopca baterije. Za dulje vrijeme rada umetnite drugu napunjenu bateriju u odjeljak za bateriju 2.
2. Okrenite sigurnosni ključ na 1. (Sl. 32)
3. Stanite iza proizvoda.
4. Pritisnite gumb za UKLJUČIVANJE/ ISKLJUČIVANJE (A) na upravljačkoj ploči i uključite će se zeleni LED indikator (B). (Sl. 33)
5. Otpustite blokadu pokretanja. (Sl. 34)
6. Ručicu kočnice motora gurnite prema upravljaču. (Sl. 35)

## Upotreba funkcije SavE

Proizvod ima funkciju za uštedu baterije (SavE) koja omogućuje dulje vrijeme rada.

1. Pritisnite gumb SavE (A) kako biste pokrenuli funkciju. Uključuje se zeleni LED indikator. (Sl. 36)
2. Ponovno pritisnite gumb SavE kako biste prekinuli funkciju. Isključuje se zeleni LED indikator (B).

## Funkcija za velika opterećenja

Kada proizvodom kosite vlažnu travu, motor automatski povećava broj o/min. Motor se vraća u standardni način rada kada više nije potrebna velika snaga.

## Zaustavljanje motora

Tijekom rada može doći do privremenog zaustavljanja noža i motora uzrokovanog preprekama poput nakupina trave ispod reznog poklopca. Ako se to dogodi, ručicu kočnice motora zadržite pritisnuto i proizvod se automatski ponovno pokrene. Ako se proizvod ponovno ne pokrene za 5 – 10 sekundi, može biti nužno očistiti ispod reznog poklopca. Pogledajte *Za čišćenje proizvoda na stranici 179*.



**UPOZORENJE:** Ako se motor zaustavi, proizvod se kroz 5 – 10 sekundi pokušava automatski ponovno pokrenuti. Na provjeru reznog poklopca pričekajte najmanje 15 sekundi.



**UPOZORENJE:** Prije provjere reznog poklopca otpustite ručicu kočnice motora, sigurnosni ključ okrenite na 0, uklonite bateriju i pričekajte najmanje 5 sekundi. Ako dođe do otpuštanja prepreke i nehoćičnog pokretanja proizvoda, može doći do ozljede.

## Zaustavljanje proizvoda

Proizvod se automatski zaustavlja ako ga ne upotrebljavate 10 minuta. Proizvod s pokrenutim motorom ne ispuštajte iz vida. Zaustavite motor, okrenite

sigurnosni ključ na 0 i uklonite bateriju. Provjerite da se nastavak prozračivača ne okreće.

1. Otpustite ručku kočnice motora kako biste zaustavili motor. (Sl. 37)
2. Na upravljačkoj ploči pritisnite gumb za ON/OFF(A) i isključit će se zeleni LED indikator (B). (Sl. 33)

3. Otvorite poklopac baterije i okrenite sigurnosni ključ na 0. (Sl. 38)
4. Za uklanjanje baterije pritisnite dva gumba za otpuštanje i istodobno izvadite bateriju. (Sl. 39)
5. Zamijenite slabu bateriju. Više informacija potražite u *Zamjena baterije na stranici 178.*

## Održavanje

### Uvod



**UPOZORENJE:** Prije održavanja morate pročitati i usvojiti poglavlje o sigurnosti.

Za sve radove servisiranja i održavanja na proizvodu potrebna je posebna obuka. Jamčimo dostupnost profesionalnih popravaka i servisa. Ako vaš distributer nije serviser, od njega zatražite informacije o najbližem serviseru.

Detaljnije informacije potražite pod [www.husqvarna.com](http://www.husqvarna.com).

### Raspored održavanja

Intervali održavanja izračunati su za dnevnu upotrebu proizvoda. Intervali se mijenjaju ako se proizvod ne upotrebljava svakodnevno.

Za održavanje označeno znakom\* pogledajte *Sigurnosni uređaji na proizvodu na stranici 175.*

S 138i	Svaka upotreba	Mjesečno	Svake sezone
Provedite opći pregled.	X		
Očistite proizvod.	X		
Pregledajte nastavak prozračivača.	X		
Provjerite ispravnost sigurnosnih uređaja na proizvodu. *	X		
Pregledajte poklopce. *	X		
Provjerite ručku kočnice motora. *	X		
Provjerite blokadu paljenja. *	X		
Provjerite ispravnost i neoštećenost gumba ON/OFF.	X		
Provjerite je li baterija oštećena.	X		
Provjerite napunjenost baterije.	X		
Provjerite ispravnost gumba za otpuštanje baterije i pričvršćivanje baterije u proizvodu.	X		
Provjerite je li punjač baterije oštećen i uvjerite se u njegovu ispravnost rada.		X	
Pregledajte spojeve između baterije i proizvoda. Također pregledajte spojeve između baterije i punjača baterije.			X

### Za opći pregled

- Provjerite jesu li zategnuti matice i vijci na proizvodu.
- Kabeli na proizvodu ne smiju biti u položaju u kojem se mogu oštetiti.

### Za čišćenje proizvoda

- Plastične dijelove čistite čistom i suhom krpom.

- Proizvod nemojte čistiti vodom. Voda može prodrijeti u bateriju ili motor i uzrokovati kratki spoj ili oštetiti proizvod.
- Za čišćenje proizvoda nemojte koristiti visokotlačni stroj za pranje.
- Nemojte liti vodu izravno na motor.
- Četkom uklonite lišće, travu i onečišćenja.

## Čišćenje baterije i punjača baterije



**UPOZORENJE:** Bateriju ili punjač baterije nikada nemojte čistiti vodom.



**UPOZORENJE:** Bateriju nemojte čistiti nikakvim kemijskim sredstvima.

- Prije umetanja baterije u punjač baterije provjerite jesu li baterija i punjač baterije čisti i suhi.
- Očistite polove baterije komprimiranim zrakom ili upotrijebite mekanu i suhu krpu.
- Površine baterije i punjač baterije očistite mekanom i suhom krpom.

## Pregled nastavka prozračivača



**UPOZORENJE:** Kako biste spriječili nenamjerno pokretanje, sigurnosni ključ okrenite na 0, izvadite bateriju i pričekajte najmanje 5 sekundi.



**UPOZORENJE:** Tijekom održavanja nastavka prozračivača nosite zaštitne rukavice. Zupci na nastavku prozračivača vrlo su oštri i lako dolazi do posjekotina.

- Pregledajte ima li na nastavku prozračivača oštećenja ili pukotina. Oštećeni nastavak prozračivača obavezno zamijenite.

## Zamjena nastavaka prozračivača



**UPOZORENJE:** Tijekom održavanja nastavaka prozračivača nosite zaštitne rukavice. Nastavci prozračivača vrlo su oštri i lako dolazi do posjekotina.

1. Postavite proizvod na desnu stranu. (Sl. 40)
2. Uklonite dva vijka (A) i poklopac prozračivača (B). Gurnite nastavak prozračivača (C) prema gore i skinite ga. (Sl. 41)
3. Gurnite nastavak prozračivača (C) u utor i prema dolje u provrt. Pričvrstite poklopac prozračivača (B) i dva vijka (A) (Sl. 42)

## Rješavanje problema

### Baterija

LED indikator na bateriji	Uzrok	Rješenje
Zeleni LED indikator treperi.	Napon baterije je nizak.	Napunite bateriju. Pogledajte <i>Zamjena baterije na stranici 178</i> .
LED indikator pogreške na bateriji treperi.	Baterija je prehladna ili prevruća za upotrebu.	Pričekajte da se baterija ohladi ili je premjestite van da se zagrije. Kada baterija postigne odgovarajuću temperaturu, možete je ponovo upotrijebiti. Bateriju u proizvodu primjenjujte samo pri temperaturama okoline između 5 °C – -40 °C.
	Baterija je prazna.	Napunite bateriju. Pogledajte <i>Zamjena baterije na stranici 178</i> .
Uključuje se LED indikator upozorenja za bateriju.	Došlo je do trajne pogreške na bateriji.	Obratite se servisnom zastupniku tvrtke Husqvarna.

## Punjač baterije

LED indikator na punjaču baterije	Uzrok	Rješenje
LED indikator pogreške treperi ili se uključuje.	Punjač baterije je prehladan ili prevruć za upotrebu.	Pričekajte da se punjač baterije ohladi ili ga premjestite van da se zagrije. Kada punjač baterija postigne odgovarajuću temperaturu, možete ga ponovo upotrijebiti. Punjač baterije upotrijebite pri temperaturama okoline između 5 °C – -40 °C.
	Ostale pogreške.	Obratite se servisnom zastupniku tvrtke Husqvarna.

## Upravljačka ploča

Pogreška	Kod pogreške (broj treperenja)	Moguće pogreške	Moguća radnja
Treperenje LED indikatora za pogreške	3.	Motor je preopterećen.	Smanjite dubinu rada. Pogledajte <i>Postavljanje dubine rada na stranici 177</i> . Ako LED indikator pogreške i dalje treperi, blokiran je nastavak prozračivača. Kako biste spriječili nenamjerno pokretanje, sigurnosni ključ okrenite na 0, uklonite bateriju i pričekajte najmanje pet sekundi. Provjerite može li se nastavak prozračivača pomicati neometano. Ako se problem ponovno pojavi, obratite se ovlaštenom serviseru.
	5.	Prevelik pad brzine motora i zaustavljanje motora.	
	9.	Pregrijano je upravljanje motorom.	Zaustavite motor i pričekajte da se ohladi.
	7.	Pogreška baterije ili nema signala baterije.	Pravilno umetnite bateriju u proizvod i pregledajte priključak baterije. Ako treperi LED pogreške, pogledajte <i>Baterija na stranici 180</i> .
Proizvod se zaustavlja	6.	Baterija je slaba.	Napunite bateriju. Pogledajte <i>Zamjena baterije na stranici 178</i> .
	Nema treperenja.	Kvar priključka baterije.	Pregledajte priključak baterije.
Ostale pogreške	Ako dođe od pogreške, sigurnosni ključ okrenite na 0, izvadite bateriju i obratite se ovlaštenom serviseru.		

## Prijevoz, spremanje i zbrinjavanje

### Uvod



**UPOZORENJE:** Kako biste spriječili nenamjerno pokretanje tijekom prijevoza i pri sastavljanju, sigurnosni ključ okrenite na 0, uklonite bateriju i pričekajte najmanje 5 sekundi.

### Prijevoz

- Na sadržane litij-ionske baterije primjenjuju se zahtjevi zakona o opasnim tvarima.
- Za komercijalne Transporte morate poštivati posebne zahtjeve za pakiranje i oznake.

- Provjerite poštivanje propisa za opasne materijale tijekom pripreme proizvoda za transport. Primjenjuju se lokalni propisi.
- Prije prijevoza obavezno izvadite bateriju.
- Preljepite priključke baterije trakom i onemogućite pomicanje baterije tijekom transporta.
- Pričvrstite proizvod tijekom transporta.

## Skladištenje

- Prije skladištenja obavezno izvadite baterije.
- Prije skladištenja pričekajte da se proizvod ohladi.
- Kako biste spriječili nezgode, bateriju tijekom skladištenja nemojte ostaviti priključenu na proizvod.
- Punjač baterije spremite u zatvoren, suh prostor.
- Bateriju i punjač baterije spremite u suh prostor u koji ne može prodrijeti vlaga ili mraz.
- Bateriju za skladištenje uklonite s punjača baterije.
- Bateriju nemojte skladištiti u prostoru u kojem može nastati statički elektricitet. Bateriju nemojte čuvati u metalnoj kutiji.
- Proizvod čuvajte na temperaturi okoline između -10 °C i 40 °C.
- Bateriju čuvajte na temperaturi okoline između 5 °C i 25 °C, bez izlaganja izravnoj sunčevoj svjetlosti.
- Punjač baterije čuvajte na temperaturi okoline između 5 °C i 45 °C, bez izlaganja izravnoj sunčevoj svjetlosti.

- Prije dugotrajnog skladištenja obavezno napunite bateriju na 30% do 50%.
- Proizvod, bateriju i punjač baterije skladištite u zaključanom prostoru izvan dosega djece i neodobrenih osoba.
- Očistite proizvod i provjerite je li sakupljač trave prazan.
- Provodite postupke održavanja iz ovog korisničkog priručnika. Pogledajte *Raspored održavanja na stranici 179*.
- Prije dugotrajnog skladištenja provedite cjeloviti servis.

## Odlaganje

Oznake na proizvodu ili ambalaži proizvoda znače da se proizvod ne smije odlagati zajedno s komunalnim otpadom. Umjesto toga, potrebno ga je odnijeti u propisani reciklažni centar za prihvatanje električne i elektroničke opreme.

Ispravnim rukovanjem proizvodom pomažete u ublažavanju negativnih učinaka po okoliš i osobe do kojih može doći u slučaju pogrešnog upravljanja otpadnim tvarima ovog proizvoda. Pojednostavljeni o recikliranju proizvoda zatražite od lokalnih tijela uprave, komunalne službe ili u prodavaonici u kojoj ste kupili proizvod.

(Sl. 43)

## Tehnički podaci

### Tehnički podaci

<b>S 138i</b>	
<b>Motor</b>	
Vrsta motora	BLDC (beskontaktni) 36 V
Broj okretaja nastavka – SavE, o/min	3000
Broj okretaja nastavka – nazivni, o/min	3200
Snaga motora – maks. kW	1,28
Snaga motora – nazivna, kW	0,9
<b>Težina</b>	
Težina bez vreće (bez baterije), kg	19,5
Težina s vrećom (s 1 x BLi30), kg	23.
<b>Baterija</b>	
Vrsta baterije	Serije baterije Husqvarna
<b>Trajanje baterije</b>	
Trajanje baterije, min. (slobodni pogon) s uključenom funkcijom SavE, s jednom baterijom tvrtke Husqvarna od 7,5 Ah (BLi30).	195

<b>S 138i</b>	
Trajanje baterije, min, (slobodni pogon) s uključenim standardnim načinom rada, s jednom baterijom tvrtke Husqvarna od 7,5 Ah (BLi30).	175
<b>Emisije buke</b> <sup>31</sup>	
Razina jačine zvuka, mjerena u dB (A)	89
Razina jačine zvuka, zajamčena L <sub>WA</sub> dB (A)	91
<b>Jačina zvuka</b> <sup>32</sup>	
Razina tlaka zvuka na uhu rukovatelja, dB (A)	75
<b>Razine vibracije</b> <sup>33</sup>	
Ručka, m/s <sup>2</sup>	5,5
<b>Rad</b>	
Dubina rada maks./min, mm	-8/+5
Širina rada, cm	37,5
Nastavak sa zupcima noža	5973510-01
Nastavak s opružnim vilama	5973509-01
Zapremnina sakupljača trave, litre	45.

Odobreni baterije	Vrsta	Kapacitet baterije, Ah	Napon, V	Težina, lb/kg
BLi30	Litij-ionska	7,5	36.	4,2/1,9
40-B140	Litij-ionska	4,0	36.	2,6/1,2

Odobreni punjači za navedene baterije, BLi	Ulazni napon, V	Frekvencija, Hz	Snaga, W
40-C80	100 – 240	50 – 60	68,8
QC250	220 – 240	50.	250

<sup>31</sup> Emisije buke u okoliš izmjerene kao jačina zvuka (L<sub>WA</sub>) u skladu s Direktivom EZ 2000/14/EC.

<sup>32</sup> Navedeni podaci za razinu tlaka zvuka imaju čimbenik nesigurnosti (K) od 1,5 dB (A).

<sup>33</sup> Navedeni podaci o razini vibracija imaju čimbenik nesigurnosti (K) od 1,5 m/s<sup>2</sup>. Navedena ukupna vrijednost vibracija izmjerena je u skladu sa standardom EN 62841-4-7, dodatkom I, i može se koristiti za međusobnu usporedbu alata u preliminarnoj procjeni izloženosti.

---

## Izjava o skladnosti

---



## EU izjava o sukladnosti

Mi, **Husqvarna AB**, SE-561 82 Huskvarna, Švedska, tel.:  
+46-36-146500, pod punom odgovornošću izjavljujemo  
da proizvod:

<b>Opis</b>	Drljača
<b>Marka</b>	Husqvarna
<b>Vrsta/model</b>	S 138i
<b>Identifikacija</b>	Serijski brojevi iz 2023. i noviji

u potpunosti su sukladni sljedećim EU direktivama i  
propisima:

Direktiva/propis	Opis
2011/65/EU	„o ograničenoj upotrebi određenih opasnih tvari u električnoj i elektroničkoj opremi“
2006/42/EC	„o strojevima“
2014/30/EU	„o elektromagnetskoj kompatibilnosti“
2000/14/EC	„koja se odnosi na emisije buke u okoliš“

i primjenjuju se sljedeće norme i/ili tehničke  
specifikacije: EN 62841-1:2015/A11:2022, EN IEC  
62841-4-7:2022/A11:2022, EN ISO 12100:2010, EN  
55014-1:2017/A11:2020, EN 55014-2:2015, EN IEC  
63000:2018.

Informacije o emisiji buke potražite u *Tehnički podaci na  
stranici 182.*

Husqvarna, 2023-12-30



Claes Losdal

Razvojni menadžer / proizvodi za vrtove

Husqvarna AB

Osoba odgovorna za tehničku dokumentaciju



---

# TARTALOMJEGYZÉK

---

Bevezető.....	186	Hibaelhárítás.....	196
Biztonság.....	187	Szállítás, tárolás és ártalmatlanítás.....	197
Összeszerelés.....	192	Műszaki adatok.....	198
Üzemeltetés.....	193	Megfelelőségi nyilatkozat.....	200
Karbantartás.....	194		

---

## Bevezető

---

### Termékleírás

A termék egy gyalog kísért elektromos gyeplazító. A termék eltávolítja a pázsitról az elfilcesedett fűvet és fellazítja a talajt, ezzel elősegítve, hogy a levegő és a víz a talajba juthasson. Az elfilcesedett fű a fűgyűjtőbe vagy a pázsitra kerül. A termék két különböző típusú gyeplazító szerkezettel rendelkezik.

### Gyeplazító szerkezet

A gyeplazító szerkezet cseréjével kapcsolatban lásd: *A gyeplazító szerkezet cseréje 196. oldalon.*

### Késfogak

A késfogak eltávolítják az elfilcesedett fűvet, és függőlegesen vágják le a fűgyökereket. A késfogak

lejtőkön, teraszokon és magas agyagtartalmú talajokon használhatók. A késfogak lehetővé teszik, hogy a víz a pázsitra juthasson, és megakadályozzák a víz a felszínén való összegyűlését.

(ábra 17)

### Rugós fogak

A rugós fogak óvatosan, a fűgyökerek sérülése nélkül távolítják el a pázsiton lévő elhalt és elfilcesedett fűvet.

(ábra 18)

### Rendeltetészerű használat

A termék magánkertekben, az elfilcesedett fű és moha eltávolítására, valamint a talaj fellazítására használható. Ne használja a terméket egyéb feladatokra.

### A termék áttekintése

(ábra 1)

1. Motorfékfogantyú
2. Fogantyú felső része
3. Vezérlőpanel
4. Indításgátló
5. Alsó fogantyú
6. Fűgyűjtő
7. Hátsó burkolat
8. A gyeplazító burkolata
9. Akkumulátorfedél
10. A munkamélység beállítására szolgáló gomb
11. Biztonsági kulcs
12. BE-/KI LED jelzőlámpa
13. BE/KI kapcsoló gomb
14. SavE gomb
15. SavE LED jelzőlámpa
16. Akkumulátor töltésellenőrző lámpái és akkumulátor gombja
17. Rugós fogak
18. Akkumulátor (tartozék)
19. Akkumulátortöltő (tartozék)
20. Hatszögkulcs
21. Kezelői kézikönyv

### A terméken található jelzések

(ábra 2) FIGYELMEZTETÉS

(ábra 3) Olvassa el az utasításokat.

(ábra 4) VIGYÁZAT – Ügyeljen az esetlegesen kirepülő tárgyakra.

(ábra 5) Tartsa távol a nézelődőket.

(ábra 6) VIGYÁZAT – Tartsa távol a kezét és a lábát a fogaktól.

(ábra 7) Karbantartás előtt válassza le az akkumulátort.

(ábra 8) Óvja a terméket az esőtől.

(ábra 9) A termék fröccsenő víz elleni védett.

(ábra 10) Ez a termék megfelel a vonatkozó EK irányelveknek.

(ábra 11) A termék megfelel a vonatkozó egyesült királyságbeli irányelveknek.

(ábra 12) Az EU és az Egyesült Királyság irányelveinek és jogszabályainak, és New South Wales „Környezetben történő munkavégzés szabályozása (zajszabályozás), 2017” irányelvének megfelelő környezeti zajkibocsátási címke. A termék garantált hangteljesítményszintjére vonatkozó adatok megtalálhatók az alábbi részen: *Műszaki adatok 198. oldalon* és a címkén.

(ábra 15) A termék újrahasonosítását elektromos és elektronikus berendezések újrahasonosítására szolgáló ponton kell elvégezni. (Kizárólag Európára vonatkozik)

(ábra 16) Indítási eljárás: nyomja meg az ON/OFF gombot, lazítsa meg az indításgátlót, nyomja lefelé a motorfékfogantyút.

(ábra 13) A leállításához engedje el a motorfékfogantyút.

(ábra 14) Beolvasható kód.

**Megjegyzés:** A terméken szereplő többi jel/címke egyes piacok specifikus vizsgáztatási követelményeire vonatkozik.

## A termék károsodása

A termékben keletkezett károkért nem vállalunk felelősséget, amennyiben:

- a termék javítását helytelenül végezték;
- a termék javítása nem a gyártótól származó vagy általa jóváhagyott alkatrészekkel történt;
- a terméket nem a gyártótól származó vagy általa jóváhagyott kiegészítővel szerelték fel;
- a termék javítását nem hivatalos szakszerviz vagy jóváhagyott egyéb szerviz végezte.

# Biztonság

## Biztonsági meghatározások

A figyelmeztetések, óvintézkedések és megjegyzések a használati utasítás kiemelten fontos részeire hívják fel a figyelmet.



**FIGYELMEZTETÉS:** Akkor használatos, ha a kézikönyv utasításainak be nem tartása esetén fennáll a kezelő vagy a közelben tartózkodók sérülésének vagy halálának veszélye.



**VIGYÁZAT:** Akkor használatos, ha a kézikönyv utasításainak be nem tartása esetén fennáll a vagyoni kár, illetve a termék vagy a környező terület károsodásának veszélye.

**Megjegyzés:** További információt biztosít az adott helyzetben szükséges tennivalóról.

## Általános termékbiztonsági figyelmeztetések



**FIGYELMEZTETÉS:** Olvassa el a jelen termékre vonatkozó összes biztonsági utasítást, útmutatást, ábrát és specifikációt. A az alább felsorolt utasítások figyelmen kívül hagyása áramütést, tüzet és/vagy komoly sérülést okozhat.

**Tegyen el minden figyelmeztetést és utasítást, mert a jövőben szüksége lehet rájuk.** A „termék” kifejezés a figyelmeztetésekben a hálózatról működő (vezetékes) termékre vagy az akkumulátorról (vezeték nélküli) működő termékre vonatkozik.

## A munkaterület biztonsága

- **Tartsa a munkaterületet tisztán és világítsa meg jól.** A zsúfolt vagy sötét területeken könnyen bekövetkeznek balesetek.
- **Ne működtesse a terméket robbanásveszélyes környezetben, pl. gyúlékony folyadékok, gázok vagy por jelenlétében.** A termék szikrárt vethet, amely begyűjthetja a port vagy a kipárolgást.
- **Tartsa távol a gyermekeket és a szemlélődőket a termék működtetése közben.** A figyelem elvonása miatt elvesztheti az uralmát a szerszám felett.

## Személyes biztonság

- **Legyen elővigyázatos, figyeljen arra, amit csinál, és használja a józan eszét a termék működtetése során. Ne használja a terméket, ha fáradt, illetve ha gyógyszer, gyógykezelés vagy alkohol hatása alatt áll.** A termékek működése közben egy pillanatnyi figyelemkiesés is súlyos személyi sérülést okozhat.
- **Használjon személyi védőfelszerelést. Mindig használjon szemvédőt.** A megfelelő környezetben a védőfelszerelések, például a pormaszk, a csúszásgátló védőcipő, a kemény fejdő és a fülvédő használata csökkenti a személyi sérülések kockázatát.

- **Akadályozza meg a véletlen indítást. Ellenőrizze, hogy a bekapcsoló gomb kikapcsolt állásban van-e, mielőtt csatlakoztatja az áramforrást és/vagy az akkumulátort, illetve felveszi vagy szállítja a terméket.** Balesetet okozhat, ha a terméket úgy viszi, hogy az uja a kapcsolón van, vagy ha a bekapcsolt terméket áram alá helyezi.
- **Távolítson el minden beállító kulcsot vagy csavarkulcsot, mielőtt bekapcsolná a terméket.** A termék forgó alkatrészéhez csatlakozó kulcs vagy más szerszám személyi sérülést okozhat.
- **Ne nyújtózkodjon a termékkel. Mindig szilárdan álljon a talajon, és őrizzé meg az egyensúlyát.** Így jobban uralhatja a terméket váratlan helyzetekben.
- **Öltözködjön megfelelően. Ne viseljen ékszereket, rövidnadragót, szandált, illetve ne legyen meztelb.** Tartsa távol a haját és ruházatát a mozgó alkatrészekről. A mozgó alkatrészek bekaphatják a laza ruhát, az ékszer vagy a hosszú hajjat.
- **Ha a készülékhez csatlakoztatható porgyűjtő berendezés, mindig csatlakoztassa és használja azt.** A porgyűjtő alkalmazása csökkenti a porral kapcsolatos veszélyeket.
- **A termékek rendszeres használatából adódó tapasztalata ne vezessen oda, hogy a termékeket könnyelműen, a szerszámbiztonsági alapelvek figyelmen kívül hagyásával működteti.** Egy gondatlanul kivitelezett művelet akár egy századmásodperc alatt is súlyos sérüléshez vezethet.

## A termék használata és karbantartása

- **Ne terhelje túl a terméket. Használja a feladathoz megfelelő terméket.** A megfelelő termék jobb és biztonságosabb munkát fog végezni azon a sebességen, amire tervezték.
- **Ne használja a terméket, ha a kapcsoló nem kapcsolja ki vagy be.** A kapcsolóló nem vezérelhető termékek veszélyesek és javításra szorulnak.
- **Húzza ki a dugaszt az áramforrásból és/vagy vegye ki az akkumulátort (amennyiben kivethető), ha bármilyen beállítást végez, kicserél egy tartozékot vagy tárolja a termékeket.** Az ilyen megelőző biztonsági intézkedések csökkentik a termék véletlen elindításának veszélyét.
- **A nem használt termékeket tartsa távol a gyerekektől, és ne engedje, hogy olyan személyek működtessék, akik nem ismerik a terméket és ezeket az utasításokat.** A termékek képzetlen felhasználók kezében veszélyt jelentenek.
- **Végezze el a termékek és a tartozékok karbantartását. Ellenőrizze, hogy a mozgó alkatrészek helyükön vannak-e, nem szorulnak-e, nem törtek-e le részek, illetve nem áll-e fenn más olyan állapot, amely befolyásolhatja a termék működését. Ha sérült, a használat előtt javíttassa meg a terméket.** Sok balesetet rosszul karbantartott termékek okoznak.
- **Tartsa élesen és tisztán a vágószerszámokat.** A megfelelően karbantartott, éles vágószerszámok

kevésbé hajlamosak a beszorulásra, és könnyebb kezelni őket.

- **A terméket, a kiegészítőket és az alkatrészeket stb. ezen utasításokkal összhangban használja, vegye figyelembe a munkakörülményeket és az elvégzendő feladatot.** Ha a termék nem a rendeltetésének megfelelően használják, veszélyes helyzet állhat elő.
- **A fogantyúkat és fogófelületeket tartsa szárazon, tisztán, olaj- és zsírmentesen.** A csúszós fogantyúk és fogófelületek nem teszi lehetővé a termék biztonságos kezelését és irányítást váratlan helyzetekben.

## Az akkumulátor használata és karbantartása

- **Csak a gyártó által meghatározott töltővel töltsé.** Az a töltő, amelyik az egyik típusú akkumulátorhoz használható, tűzveszélyes lehet, ha másik típusú akkumulátorral használják.
- **A termékeket csak a típusoknak megfelelő akkumulátorokkal használja.** Bármilyen más típusú akkumulátor használata sérülés- és tűzveszélyes.
- **Amikor az akkumulátort nem használja, tartsa távol más fémtárgyaktól, például gémkapcsoktól, érméktől, kulcsoktól, tűktől, csavaroktól vagy más kisebb fémtárgyaktól, amelyek összekapcsolhatják a sarukat.** Az akkumulátorsaruk rövidre zárása égést vagy tüzet okozhat.
- **Nem megfelelő körülmények hatására az akkumulátorból folyadék szivároghat ki. Kerülje az érintkezést. Ha ez véletlenül mégis megtörténik, öblítse le vízzel. Ha a folyadék szembe kerül, forduljon orvoshoz.** Az akkumulátorból távozó folyadék irritációt vagy égési sérülést okozhat.
- **Ne használjon sérült vagy módosított akkumulátort vagy szerszámot.** A sérült vagy módosított akkumulátorok kiszámíthatatlanul viselkedhetnek, ami tüzet, robbanást vagy sérülést okozhat.
- **Az akkumulátort vagy szerszámot ne tegye ki tűznek vagy túl magas hőmérsékletnek.** A tűznek való kitettség, illetve a 130 °C/265 °F feletti hőmérséklet robbanást okozhat.
- **Kövesse a töltésre vonatkozó utasításokat, és ne töltsé az akkumulátort vagy a szerszámot az utasításokban megadott hőmérséklet-tartományon kívül.** A nem megfelelő, illetve a megadott tartományon kívül eső hőmérsékleten való töltés károsíthatja az akkumulátort és növeli a tűzveszélyt.

## Szolgáltatás

- **A termék szervizelését képzett szerelővel végeztessé el, aki kizárólag eredeti cserealkatrészeket használ.** Ez biztosítja, hogy a termék továbbra is biztonságos maradjon.
- **Soha ne szervizelje a sérült akkumulátort.** Az akkumulátor szervizelését csak a gyártó vagy egy hivatalos szolgáltató végezheti el.

## Termékhez tartozó biztonsági figyelmeztetések

- **Rossz időjárási körülmények között – főleg villámás veszélye esetén – ne használja a terméket.** Ez csökkenti a villámcsapás veszélyét.
- **Alaposan vizsgálja meg az élővilág szempontjából azt a területet, ahol a terméket használni kívánja.** Az ott élő állatok megsérülhetnek a termék működése közben.
- **Alaposan vizsgálja át a területet, ahol a terméket használni kívánja, és távolítsa el minden követ, botot, drótot, csontot és egyéb idegen tárgyat.** A felcsapódó tárgyak súlyos személyi sérülést okozhatnak.
- **A termék használata előtt mindig ellenőrizze szemrevételezéssel, hogy a fogak és a fogegység nem kopott-e vagy sérült-e.** A kopott vagy sérült alkatrészek növelik a sérülésveszélyt.
- **Rendszeresen ellenőrizze, hogy nem észlelhető-e kopás vagy minőségromlás a fűgújtón.** A kopott vagy sérült fűgújtó növelheti a személyi sérülés kockázatát.
- **Tartsa a védőburkolatokat a helyükön. A védőburkolatoknak működőképesnek kell lenniük, és megfelelően kell felszerelni őket.** A meglazult, sérült vagy nem megfelelően funkcionáló védőburkolat személyi sérülést okozhat.
- **Minden hűtőlevegő bemeneti nyílást tartson tömeléktől mentesen.** Az eltömődött levegőbemeneti nyílások és a törmelék túlmelegedést vagy tűzveszélyt okozhatnak.
- **A termék működtetése közben mindig viseljen csúszámentes munkavédelmi lábbelit. Ne használja a terméket mezít láb vagy nyitott szandálban.** Ez csökkenti a mozgó fogakkal való érintkezés miatti lábsérülés kockázatát.
- **A termék használata közben mindig viseljen hosszú nadrágot.** A szabadon hagyott bőrfelületek növelik a repülő tárgyak okozta sérülés valószínűségét.
- **Ne működtesse a terméket nedves fűvön. Sétáljon, soha ne fusson.** Ez csökkenti az esetleges személyi sérüléshez vezető elcsúszás vagy elesés kockázatát.
- **Ne üzemeltesse a terméket túlságosan meredek lejtőkön.** Ez csökkenti az esetleges személyi sérüléshez vezető irányítvesztés, elcsúszás vagy elesés kockázatát.
- **Ha lejtőn dolgozik, mindig ügyeljen arra, hogy stabilan áll, mindig a lejtőn keresztben dolgozzon, soha ne felfelé vagy lefelé, és irányváltáskor legyen rendkívül óvatos.** Ez csökkenti az esetleges személyi sérüléshez vezető irányítvesztés, elcsúszás vagy elesés kockázatát.
- **Legyen különösen körültekintő, ha a terméket maga felé hűzza, vagy hátrafelé halad. Mindig figyeljen oda a környezetére.** Ez csökkenti a használat közbeni megbotlás kockázatát.
- **Tartsa a terméket a szigetelt fogófelületeknél fogva, mert a fogak rejtett vezetékkel vagy saját**

**kábelükkel érintkezhetnek.** Ha a fogak feszültség alatt álló vezetékkel érintkeznek, az gép fémrészei is feszültség alá kerülnek, és így a berendezés működőtétjét áramütés érheti.

- **Ne érintse meg a fogakat és más veszélyes mozgó alkatrészeket, amíg azok mozgásban vannak.** Ez csökkenti a mozgó alkatrészek okozta sérülések kockázatát.
- **A beragadt anyagok eltávolításakor és a termék tisztításakor győződjön meg arról, hogy minden főkapcsoló ki van-e kapcsolva, és az akkumulátor le van-e választva.** A termék váratlan bekapcsolódása súlyos személyi sérülést okozhat.

## Általános biztonsági utasítások



**FIGYELMEZTETÉS:** A termék használata előtt olvassa el az alábbi figyelmeztetéseket.

- Ez a termék veszélyes, ha helytelenül használja, vagy ha nem vigyáz. A biztonsági utasítások be nem tartása sérüléssel vagy halállal járhat.
- A termék működés közben elektromágneses mezőt hoz létre. Ez bizonyos körülmények esetén hatással lehet az aktív vagy passzív orvosi implantátumokra. A súlyos vagy halálos sérülés kockázatának csökkentése érdekében azt javasoljuk, hogy az orvosi implantátumot használó személyek a termék alkalmazása előtt kérjék ki orvosuk vagy az orvosi implantátum gyártójának tanácsát.
- Mindig megfontoltan és előrelátóan cselekedjen. Ha nem biztos benne, hogyan kell a terméket speciális helyzetben üzemeltetni, akkor hagyja abba a tevékenységet, és beszéljen a Husqvarna kereskedőjével a folytatás előtt.
- Ne feledje, hogy a kezelő felelős a másokat és a mások tulajdonát érő balesetekért is.
- Tartsa tisztán a terméket. Ügyeljen arra, hogy a jelek és címkék jól olvashatóak legyenek.
- Soha ne engedje, hogy gyermekek vagy a kezelési utasításokat nem ismerő személyek használják a készüléket. A helyi rendelkezések adott esetben kezelési korhatárt szabhatnak meg.
- Csökkent fizikai vagy szellemi képességekkel rendelkező személy csak felügyelet mellett használhatja a terméket. Egy felelős felnőttnek mindig jelen kell lennie.
- Ne használja a terméket, ha fáradt, beteg, illetve alkohol, drog vagy gyógyszer hatása alatt áll. Ez negatív hatással van a látására, az éberségére, a koordinációjára és az ítélőképességére.
- Ne használja a terméket, ha az sérült vagy nem működik megfelelően.
- Ne változtassa meg a terméket, vagy ne használja, ha feltehetőleg valaki más változtatásokat hajtott végre rajta.

## Munkabiztonság



**FIGYELMEZTETÉS:** A termék használata előtt olvassa el az alábbi figyelmeztetéseket.

- A terméket csak füves gyepen lévő elfilcesedett fű és moha eltávolítására használja. A termék más feladatokra történő használata nem megengedett.
- Használjon személyi védőfelszerelést. Lásd: *Személyi védőfelszerelés 190. oldalon.*
- Mindenképpen legyen tisztában azzal, hogy veszélyzet esetén hogyan kell gyorsan leállítani a motort.
- Ne működtesse a terméket esős vagy nedves körülmények között. Ez növeli az áramütés kockázatát.
- Ne használja a készüléket, hacsak a fogak és az összes borítás nincsenek megfelelően rögzítve. A nem megfelelően rögzített fogak kilazulhatnak, és személyi sérülést okozhatnak.
- Ügyeljen arra, hogy a fogak ne ütközzenek olyan tárgyakba, mint például kövek és gyökerek. Ez kárt tehet a fogakban, és meghajlíthatja a motor tengelyét. A meghajlott tengely erős rezgést okoz, és így nagyon nagy a kockázata annak, hogy a fogak meglazulnak.
- Ha a fogak valamilyen tárgynak ütköznek vagy rezegni kezdenek, azonnal állítsa le a terméket. Állítsa le a motort, fordítsa a biztonsági kulcsot „0” állásba, és vegye ki az akkumulátort. Várjon, amíg a mozgó alkatrészek megállnak. Ellenőrizze, hogy a termék sérülésmentes-e. Szorítsa meg a laza alkatrészeket. Javítsa meg a sérüléseket, és cserélje ki a sérült alkatrészeket. Bízva hivatalos szervizműhelyre a javítást.
- Amikor a motor működésben van, soha ne rögzítse tartósan a motorfékfogantyút a fogantyúhoz.
- Helyezze a terméket stabil, vízszintes felületre, és kapcsolja be. Gondoskodjon arról, hogy a fogak ne ütközzenek se a talajba, se egyéb tárgyakba.
- Mindig maradjon a termék mögött, amikor működteti.
- A termék üzemeltetése során minden kerék legyen a talajon, és tartsa két kézzel a fogantyút. Tartsa távol a kezét és a lábát a forgó fogaktól.
- Ne döntse meg a terméket a motor indításakor vagy a termék működése közben.
- Legyen óvatos, amikor hátrafelé húzza a terméket.
- Soha ne emelje fel a terméket, ha a motor jár. Ha mindenképpen fel kell emelnie a terméket, először állítsa le a motort, a biztonsági kulcsot fordítsa „0” állásba, és vegye ki az akkumulátort.
- Ne sétáljon hátrafelé a termék működtetése során.
- Állítsa le a motort, ha a terméket szállításhoz meg kell döntenie, vagy mielőtt olyan területeken haladna át, ahol nincs fű, például kavicsos, kövezett és aszfaltozott járdák.

- Ne fusson a termékkel, ha a motor jár. Mindig sétáljon a termék működtetése során.
- A munkamélység módosítása előtt állítsa le a motort. Soha ne végezzen beállításokat, amikor a motor jár.
- Soha ne hagyja a terméket felügyelet nélkül járó motor esetén. Állítsa le a motort, fordítsa a biztonsági kulcsot „0” állásba, és vegye ki az akkumulátort. Ellenőrizze, hogy a gyeplazító szerkezet nem forog-e.
- A termék működés közbeni rezgései eltérhetnek a következő részben megadott rezgésértékektől: *Műszaki adatok 198. oldalon.* Az eltérést a termék eltérő használati módja okozza. Ha a terméket gyakran vagy hosszú ideig használja, a rezgések okozta sérülések elkerülése érdekében rendszeresen tartson szünetet.

## Biztonsági utasítások az üzemeltetéshez

### Személyi védőfelszerelés



**FIGYELMEZTETÉS:** A termék használata előtt olvassa el az alábbi figyelmeztetéseket.

- A személyi védőfelszerelés nem küszöböli ki teljes mértékben a sérülés kockázatát, de csökkenti a sérülés mértékét, ha bekövetkezik a baleset. A megfelelő felszerelés kiválasztásában kérje a kereskedő segítségét.
- Használjon nagy teherbírású, csúszásmentes bakancsot vagy cipőt. Ne használja nyitott cipőben vagy meztibb a terméket.
- Viseljen vastag, hosszú szárú nadrágot.
- Viseljen védőkesztyűt, például a vágószerkezet felhelyezésekor, ellenőrzésekor vagy tisztításakor.
- Javasoljuk, hogy használjon hallásvédőt.

### Biztonsági eszközök a terméken



**FIGYELMEZTETÉS:** A termék használata előtt olvassa el az alábbi figyelmeztetéseket.

- Ne használja a terméket sérült vagy nem megfelelően működő biztonsági eszközökkel.
- Ne távolítsa el és ne végezzen módosításokat a biztonsági eszközökön.
- Rendszeresen ellenőrizze a biztonsági eszközöket. Ha a biztonsági eszközök sérültek vagy nem működnek megfelelően, forduljon a Husqvarna szakszervizhez.

### A burkolatok ellenőrzése

A gyeplazító burkolata csökkenti a termék rezgését és a gyeplazító szerkezet okozta sérülések kockázatát.

- Vizsgálja meg a gyeplazító oldalsó burkolatát, hogy nincs-e rajta sérülés, például repedés.
- Vizsgálja meg a hátsó burkolatot, hogy nincs-e rajta sérülés, például repedés.

## Motorfékfogantyú

A motorfékfogantyú a motor leállítására szolgál. Ha elengedi a motorfékfogantyút, a motor leáll.

A motorfék ellenőrzéséhez indítsa el a motort, majd engedje el a motorfékfogantyút. Ha a motor 3 másodpercen belül nem áll le, állíttassa be egy hivatalos Husqvarna szakszervizben a motorféket.

(ábra 19)

## Biztonsági kulcs

A biztonsági kulcs az akkumulátorfedél alatt található. A biztonsági kulcs a motort működtető akkumulátor csatlakoztatására szolgál.

- A biztonsági kulcs ellenőrzéséhez indítsa be, majd állítsa le a motort.
- Ha a biztonsági kulcs megfelelően működik, a motor csak a kulcs „1” állásba fordításakor indul el.

(ábra 20)

## Az indításgátló ellenőrzése

Bizonyosodjon meg arról, hogy az indításgátló megakadályozza a motor elindulását.

1. Nyomja a motorfékfogantyút a fogantyú irányába. Az indításgátló megakadályozza a mozgást.
2. Nyomja kifelé az indításgátlót. (ábra 21)
3. Engedje ki az indításgátlót, és győződjön meg arról, hogy az visszatér alaphelyzetbe.

## Az akkumulátorral kapcsolatos biztonsági előírások



**FIGYELMEZTETÉS:** A termék használata előtt olvassa el az alábbi figyelmeztetéseket.

- A Husqvarna tölthető akkumulátorokat csak a kompatibilis Husqvarna termékek tápellátására használja. Ne használja az akkumulátort más eszközök áramforrásaként, mivel ez balesetveszélyes.
- Ne használjon nem újratölthető akkumulátorokat.
- Elektromos áramütés veszélye. Ne érintse az akkumulátorsarukat kulcsokhoz, érmékhez, csavarokhoz vagy egyéb fémhez. Ez az akkumulátor rövidzárlatát okozhatja.
- Ne tegyen tárgyakat az akkumulátor szellőzőnyílásaiba.
- Tartsa távol az akkumulátort a közvetlen napsütéstől, hőtől és nyílt lángtól. Az akkumulátor felrobbanhat, és súlyos égési, illetve vegyi égési sérüléseket okozhat.

- Tartsa az akkumulátort esős, nedves környezetétől távol.
- Tartsa az akkumulátort mikrohullámoktól és magas nyomástól távol.
- Soha ne próbálkozzon az akkumulátor szétszerelésével vagy széttörésével.
- Ha az akkumulátor szivárog, ne hagyja, hogy a folyadék bőrre vagy szembe kerüljön. Ha a folyadékhoz ért, nagy mennyiségű vízzel tisztítsa meg az adott testfelületet, és forduljon orvoshoz.
- Az akkumulátort csak 5 °C és 40 °C közötti környezeti hőmérséklet mellett használja a termékben.
- Az akkumulátortöltőt csak 5 °C és 40 °C közötti környezeti hőmérséklet mellett használja.
- Az akkumulátor nem töltődik fel, ha az akkumulátor hőmérséklete 50 °C-nál magasabb.
- Soha ne tisztítsa vízzel az akkumulátort vagy az akkumulátortöltőt. Lásd: *Akkumulátor196. oldalon.*
- Ne használjon sérült akkumulátort.
- A tárolás során tartsa az akkumulátorokat távol a fém tárgyaktól, például szegektől, érméktől, ékszerektől.

## Az akkumulátortöltő készülék biztonsága



**FIGYELMEZTETÉS:** A termék használata előtt olvassa el az alábbi figyelmeztetéseket.

- A QC akkumulátortöltőket csak a Husqvarna csereakkumulátorok töltésére használja.
- Áramütés vagy rövidzárlat veszélye. Ne tegyen tárgyakat a töltő szellőzőnyílásaiba. Ne próbálkozzon az akkumulátortöltő szétszerelésével. Ne érintsen a töltő csatlakozóihoz fémtárgyat. Használjon jóváhagyott hálózati aljzatot.
- A termék működés közben elektromágneses mezőt hoz létre. Ez bizonyos körülmények esetén hatással lehet az aktív vagy passzív orvosi implantátumokra. A súlyos vagy halálos sérülés kockázatának csökkentése érdekében azt javasoljuk, hogy az orvosi implantátumot használó személyek a termék alkalmazása előtt kérjék ki orvosuk vagy az orvosi implantátum gyártójának tanácsát.
- Rendszeresen ellenőrizze, hogy az akkumulátortöltő tápkábele nem sérült-e, és hogy nincs rajta repedés.
- Ne emelje fel az akkumulátortöltőt a tápkábelnél fogva. Az akkumulátortöltő fali aljzattól történő kihúzásához a dugaszt húzza. Ne a tápkábelt húzza.
- Tartsa távol a hálózati tápkábelt és a hosszabbítókábelt a víztől, az olajtól és az éles élektől. Ügyeljen rá, hogy a kábel ne csipődjön be ajtóba, korlátba vagy hasonló tárgya. Ilyen esetben a töltő feszültség alá kerülhet.
- Soha ne tisztítsa vízzel az akkumulátortöltőt.
- Az akkumulátortöltőt 8 éven felüli gyermekek, illetve csökkent fizikai, érzékelési vagy szellemi képességekkel rendelkező, vagy

az akkumulátortöltő működtetésében járatlan személyek is használhatják, amennyiben ezt felügyelet mellett teszik, illetve ismerik a készülék biztonságos működtetésének módját és az azzal járó veszélyeket. Gyermekek nem játszhatnak az akkumulátortöltővel. Gyermekek csak felügyelet mellett végezhetnek tisztítást és karbantartást.

- Ne töltsön nem újratölthető akkumulátorokat a töltővel.
- Ne használja az akkumulátortöltőt gyúlékony anyagok vagy olyan anyagok közelében, amelyek korróziót okozhatnak. Ne takarja le a töltőkészüléket. Amennyiben a töltő füstölni vagy égni kezdene, húzza ki a dugóját.
- Ne használjon meghibásodott vagy sérült akkumulátortöltőt.
- Az akkumulátort csak jó szellőzésű helyiségben, napfénytől távol töltsen. Ne töltsen az akkumulátort nedves körülmények között.

## Biztonsági utasítások a karbantartáshoz



**FIGYELMEZTETÉS:** A termék használata előtt olvassa el az alábbi figyelmeztetéseket.

- A véletlen beindítás elkerülése érdekében karbantartáskor fordítsa a biztonsági kulcsot „0” állásba, és távolítsa el az akkumulátort. A karbantartás megkezdése előtt várjon legalább 5 másodpercet.
- A termék élettartamának növelése és a balesetveszély csökkentése érdekében végezze

el szakszerűen a karbantartási műveleteket. Bízva hivatalos szervizműhelyre a professzionális javítást. Bővebb információért forduljon a legközelebbi szakszervizhez.

- Csak a felhasználói kézikönyvben megadott karbantartást végezze el. Komolyabb beavatkozásokat csak hivatalos szakszerviz végezhet.
- A sérülések elkerülése érdekében ne távolítsa el és ne végezzen módosításokat a biztonsági eszközökön.
- A gyeplazító szerkezet használata során viseljen strapabíró védőkesztyűt. A gyeplazító szerkezet nagyon éles, könnyen megvághatja magát.
- A legjobb és legbiztonságosabb teljesítmény érdekében tartsa a gyeplazító szerkezet fogait élesen és tisztán.
- Rendszeresen ellenőriztesse a gépet a szakszervizzel, és végeztesse el a szükséges beállításokat és javításokat.
- A sérült, kopott vagy törött alkatrészt cserélje ki. Mindig a gyártó eredeti pótkatrészeit használja. Más pótkatrészek károsíthatják a terméket, és növelhetik a balesetveszélyt.
- Kövesse a tartozékcsereire vonatkozó utasításokat. Kizárólag a gyártótól származó tartozékokat használja.
- Ha nincs használatban, tartsa a terméket, az akkumulátort és az akkumulátortöltőt elkülönítve egy száraz, beltéri és zárt területen. Gondoskodjon róla, hogy gyermekek és felhatalmazással nem bíró személyek ne férhessenek hozzá a termékhez, az akkumulátorhoz és az akkumulátortöltőhöz.

## Összeszerelés

### Bevezetés



**FIGYELMEZTETÉS:** A termék összeszerelése előtt olvassa el a biztonságra vonatkozó fejezetet.



**FIGYELMEZTETÉS:** A véletlen beindítás elkerülése érdekében az összeszereléskor fordítsa a biztonsági kulcsot „0” állásba, vegye ki az akkumulátort, és várjon legalább 5 másodpercet.

### A fogantyú összeszerelése

1. Lazítsa meg az alsó csavarokat.
2. A gombokat a termék bal és jobb oldalán is csúsztassa a hornyok alsó végébe. (ábra 22)
3. Állítsa a fogantyú magasságát a két lehetséges pozíció egyikébe.

4. A gombokat ütközésig csúsztassa a fogantyú irányába, amíg egy kattán hangot nem hall. (ábra 23)
5. Teljesen húzza meg a gombokat.

### A fűgyűjtő doboz felszerelése

1. Rögzítse a fűgyűjtő keretét a fűzsákban úgy, hogy a fűzsák merev része alul legyen. A keret fogantyúja a fűzsák tetején legyen. (ábra 24)
2. Illessze a fűgyűjtő keret alsó részét a fűgyűjtő alján lévő vájatba.
3. A kapcsokkal rögzítse a fűzsákot a fűgyűjtő keretéhez. (ábra 25)
4. Emelje fel a hátsó burkolatot.
5. Állítsa a fűgyűjtőt a megfelelő pozícióba. (ábra 26)
6. Csatlakoztassa a fűgyűjtőt a vázszekrény felső széléhez. A szivárgás elkerülése érdekében győződjön meg arról, hogy a hátsó burkolat szorosan illeszkedik-e a fűgyűjtőhöz. (ábra 27)



# Üzemeltetés

## Bevezető



**FIGYELMEZTETÉS:** A termék működtetése előtt el kell olvasnia és meg kell értenie a biztonságról szóló fejezetet.

## Husqvarna Connect

A Husqvarna Connect egy ingyenes mobilalkalmazás. A Husqvarna Connect alkalmazás kibővített funkciókat biztosít Husqvarna termékéhez:

- Bővebb termékinformációk.
- Információk és segítség a termékalkatrészekkel és a szervizeléssel kapcsolatban.

## A Husqvarna Connect használatának megkezdése

1. Töltse le a Husqvarna Connect alkalmazást mobilkészletére.
2. Regisztráljon egy fiókot a Husqvarna Connect alkalmazásban.
3. A termék csatlakoztatásához és regisztrálásához kövesse a Husqvarna Connect alkalmazásban megjelenő utasításokat.

## A munkamélység beállítása



**FIGYELMEZTETÉS:** A termék működtetése közben ne módosítsa a munkamélységet.

1. A munkamélység növeléséhez nyomja le és fordítsa a munkamélység beállítására szolgáló gombot az óramutató járásával ellentétes irányba.
2. A munkamélység csökkentéséhez nyomja le és fordítsa a munkamélység beállítására szolgáló gombot az óramutató járásával megegyező irányba. (ábra 28)

## Akkumulátor



**FIGYELMEZTETÉS:** Az akkumulátor használata előtt el kell olvasnia és meg kell értenie a biztonságról szóló fejezetet. Olvassa el figyelmesen az akkumulátorhoz és az akkumulátortöltőhöz mellékelt használati útmutatót is.

Tartsa az akkumulátort és az akkumulátortöltőt megfelelő környezeti hőmérsékleten.

	Környezeti hőmérséklet
Az akkumulátor használata	5 °C – 40 °C
Az akkumulátor feltöltése	5 °C – 40 °C

## Az akkumulátor állapota

A kijelző jelzi az akkumulátor töltöttségét, valamint azt, hogy van-e valami probléma az akkumulátorral. Nyomja meg az akkumulátorjelző gombot az akkumulátor töltöttségi állapotára vonatkozó információk megtekintéséhez. Hiba esetén az akkumulátor figyelmeztető lámpája világít. Lásd: *Akkumulátor196. oldalon.*

(ábra 29)

LED lámpák	Az akkumulátor állapota
Minden LED világít	Teljes töltöttség (76–100%)
Az 1., 2. és 3. LED világít	Az akkumulátor töltöttsége 51–75%-os.
Az 1. és 2. LED világít	Az akkumulátor töltöttsége 26–50%-os.
Az 1. LED világít	Az akkumulátor töltöttsége 6–25%-os.
Az 1. LED villog	Az akkumulátor töltöttsége 0–5%-os

## Az akkumulátor töltése

Az első használat előtt tölts fel az akkumulátort. Az akkumulátor gyárilag csak 30%-ra van feltöltve.

**Megjegyzés:** Az akkumulátortöltőt a típus táblán szereplő feszültségű és frekvenciájú áramforráshoz kell csatlakoztatni.

Ha az akkumulátor hőmérséklete 50 °C felett van, a töltés nem indul el. Az akkumulátortöltő csökkenti az akkumulátor hőmérsékletét, mielőtt megkezdené annak töltését.

1. Csatlakoztassa az akkumulátortöltőhöz való tápkábel egyik végét az akkumulátortöltő aljzatához.
2. Csatlakoztassa az akkumulátortöltőhöz való tápkábel másik végét egy földelt hálózati aljzathoz. Egyszer zölden felvillan a töltő LED-je. (ábra 30)
3. Helyezze az akkumulátort a töltőbe. Az akkumulátor és a töltő közötti helyes érintkezésről a töltőn lévő zöld lámpa világítása tanúskodik. (ábra 31)

- Ha az akkumulátoron az összes LED világít, az akkumulátor teljesen fel van töltve. Az akkumulátort legfeljebb 24 óráig töltsé.
- Az akkumulátortöltő fali aljzatból történő kihúzásához a dugaszt húzza, ne a tápkábelt.
- Vegye ki az akkumulátort a töltőből.

## A termék elindítása

- Helyezzen egy feltöltött akkumulátort az akkumulátorfedél alatti 1. számú akkumulátorrekeszbe. Hosszabb használati idő esetén tegyen egy második feltöltött akkumulátort a 2. számú akkumulátorrekeszbe.
- Állítsa a biztonsági kulcsot „1” állásba. (ábra 32)
- Maradjon a termék mögött.
- Nyomja meg a vezérlőpanel BE-/KI kapcsoló gombját (A), ekkor a zöld LED (B) felgyullad. (ábra 33)
- Oldja ki az indításgátlót. (ábra 34)
- Nyomja a motorfékfogantyút a fogantyú irányába. (ábra 35)

## A SavE funkció használata

A termék akkumulátorkímélő funkcióval (SavE) rendelkezik, amely hosszabb üzemidőt biztosít.

- A funkció elindításához nyomja meg a SavE gombot (A). A zöld LED felgyullad. (ábra 36)
- A funkció leállításához nyomja meg ismét a SavE gombot. A zöld LED (B) kialszik.

## Nagy terhelésű üzemmód funkció

Ha a termékkel hosszú vagy nedves fűvet vág, a motor automatikusan növeli a fordulatszámot. A motor normál módba tér vissza, ha a nincs szükség nagy terhelésre.

## A motor leállása

Használat közben a kés és a motor ideiglenesen leállhat olyan akadályok miatt, mint például a fű összetörődése a vágóburkolat alatti. Ha ez

bekövetkezik, és a motorfékfogantyút lenyomva tartja, a termék automatikusan újraindul. Ha a készülék 5-10 másodpercen belül nem indul újra, szükség lehet a vágóburkolat alatti terület kitisztítására. Lásd: *A termék tisztítása 195. oldalon.*



**FIGYELMEZTETÉS:** Ha a motor leáll, a termék 5-10 másodpercig automatikusan próbál újraindulni. Várjon legalább 15 másodpercet, mielőtt ellenőrizné a vágófeedet.



**FIGYELMEZTETÉS:** A vágóburkolat ellenőrzése előtt engedje el a motorfékfogantyút, fordítsa a biztonsági kulcsot „0” állásba, vegye ki az akkumulátort, és várjon legalább 5 másodpercet. Az akadály eltávolítása után a termék véletlen elindulása sérülésveszélyt okozhat.

## A termék leállítása

A termék automatikusan leáll, ha 10 percig nem használja. Soha ne hagyja a terméket felügyelet nélkül járó motor esetén. Állítsa le a motort, fordítsa a biztonsági kulcsot „0” állásba, és vegye ki az akkumulátort. Ellenőrizze, hogy a gyeplapító szerkezet nem forog-e.

- A motor leállításához engedje fel a motorfékfogantyút. (ábra 37)
- Nyomja meg a vezérlőpanel BE-/KI kapcsoló gombját (A), ekkor a zöld LED (B) kialszik. (ábra 33)
- Nyissa fel az akkumulátorfedelelet, és fordítsa a biztonsági kulcsot „0” állásba. (ábra 38)
- Az akkumulátor eltávolításához nyomja meg egyszerre a két kioldógombot, és húzza ki az akkumulátort. (ábra 39)
- Töltse fel a gyenge töltöttségű akkumulátort. További tudnivalókat lásd: *Az akkumulátor töltése 193. oldalon.*

# Karbantartás

## Bevezetés



**FIGYELMEZTETÉS:** Karbantartás előtt el kell olvasnia és meg kell értenie a biztonságról szóló fejezetet.

A gépen végzett minden szerviz- és javítási munkát szakképzettséget igényel. Garantáljuk a professzionális javítások és szervizelés lehetőségét. Ha márkakereskedője nem szervizműhely, forduljon hozzájuk a legközelebbi szervizműhellyel kapcsolatban.

Részletesebb információért lásd: [www.husqvarna.com](http://www.husqvarna.com).

## Karbantartási terv

A karbantartási intervallumok meghatározásakor a termék napi használatát feltételeztük. Az intervallum változik, ha a terméket nem napi rendszerességgel használja.

A \* szimbómmal jelölt karbantartási műveletekkel kapcsolatban lásd: *Biztonsági eszközök a terméken 190. oldalon.*

S 138i	Minden használat során	Havi	Évszakonként
Végezzen általános ellenőrzést.	X		
Tisztítsa meg a terméket.	X		
Ellenőrizze a gyeplazító szerkezetet.	X		
Ellenőrizze, hogy a termék biztonsági eszközei nem hibásak-e. *	X		
Ellenőrizze a burkolatokat. *	X		
Ellenőrizze a motorfékfogantyút. *	X		
Ellenőrizze az indításgátlót. *	X		
Győződjön meg a BE-/KI kapcsoló gomb megfelelő, hibátlan működéséről.	X		
Ellenőrizze, nem sérült-e az akkumulátor.	X		
Ellenőrizze az akkumulátor töltöttségét.	X		
Ellenőrizze, hogy működnek-e az akkumulátor kioldógombjai, és megfelelően rögzül-e az akkumulátor a termékben.	X		
Ellenőrizze az akkumulátortöltő épségét; győződjön meg arról, hogy megfelelően működik-e.		X	
Ellenőrizze az akkumulátor és a termék közötti csatlakozásokat. Ellenőrizze az akkumulátor és az akkumulátortöltő közötti csatlakozásokat is.			X

## Általános ellenőrzés

- Ellenőrizze, hogy az anyák és csavarok meg vannak-e szorítva a terméken.
- Ellenőrizze, hogy a termék kábelei úgy helyezkednek-e el, hogy ne tudjanak megsérülni.

## A termék tisztítása

- A műanyag részeket tiszta, száraz törlőkendővel tisztítsa.
- A termék tisztításához ne használjon vizet. A víz az akkumulátorba vagy a motorba jutva azok rövidzárlatát vagy a termék károsodását okozhatja.
- Ne használjon nagynyomású mosót a termék tisztításához.
- Ne irányítsa a vízsugarat közvetlenül a motorra.
- Kéfével távolítsa el a leveleket, a fűvet és az egyéb szennyeződéseket.

## Az akkumulátor és az akkumulátortöltő tisztítása



**FIGYELMEZTETÉS:** Soha ne tisztítsa vízzel az akkumulátort vagy az akkumulátortöltőt.



**FIGYELMEZTETÉS:** Az akkumulátor tisztításához ne használjon vegyi anyagokat.

- Mielőtt az akkumulátort a töltőkészülékbe helyezné, győződjön meg róla, hogy az akkumulátor és az akkumulátortöltő tiszta és száraz-e.
- Az akkumulátorsaruk tisztítását sűrített levegővel vagy egy puha és száraz ruhával végezze.
- Az akkumulátor és a töltőkészülék felületének tisztítását puha és száraz ruhával végezze.

## A gyeplazító szerkezet ellenőrzése



**FIGYELMEZTETÉS:** A véletlen beindítás elkerülése érdekében fordítsa a biztonsági kulcsot „0” állásba, vegye ki az akkumulátort, és várjon legalább 5 másodpercet.



**FIGYELMEZTETÉS:** A gyeplazító szerkezet karbantartásakor viseljen védőkesztyűt. A gyeplazító szerkezet fogai nagyon élesek, könnyen megvághatja magát.

- Ellenőrizze, hogy a gyeplazító szerkezeten nem található-e sérülések vagy repedések. Mindig cserélje ki a sérült a gyeplazító szerkezetet.

védőkesztyűt. A gyeplazító szerkezet nagyon éles, könnyen megvághatja magát.

## A gyeplazító szerkezet cseréje



**FIGYELMEZTETÉS:** A gyeplazító szerkezet karbantartásakor viseljen

1. Fordítsa a terméket a jobb oldalára. (ábra 40)
2. Távolítsa el a két csavart (A) és a gyeplazító burkolatát (B). Nyomja a gyeplazító szerkezetet (C) felfelé és kifelé, majd távolítsa el. (ábra 41)
3. Nyomja az új gyeplazító szerkezetet (C) a mélyedésbe, majd lefelé a nyílásba. Rögzítse a gyeplazító burkolatát (B) és a két csavart (A). (ábra 42)

## Hibaelhárítás

### Akkumulátor

LED az akkumulátoron	Ok	Megoldás
A zöld LED villog.	Az akkumulátor feszültsége alacsony.	Töltse fel az akkumulátort. Lásd: <i>Az akkumulátor töltése 193. oldalon.</i>
Az akkumulátor hibajelző LED-je villog.	Az akkumulátor túl hideg vagy túl meleg a használathoz.	Hagyja lehűlni, vagy vigye beltéri helyiségbe, és melegítse fel az akkumulátort. Ha az akkumulátor hőmérséklete megfelelő, ismét használható. Az akkumulátort csak 5 °C és 40 °C közötti környezeti hőmérséklet mellett használja a termékben.
	Az akkumulátor lemerült.	Töltse fel az akkumulátort. Lásd: <i>Az akkumulátor töltése 193. oldalon.</i>
Az akkumulátor hibajelző LED-je világít.	Maradandó akkumulátorhiba tapasztalható.	Forduljon az illetékes Husqvarna márkaszervizhez.

### Akkumulátortöltő

LED az akkumulátortöltőn	Ok	Megoldás
A hibajelző LED villog vagy világítani kezd.	Az akkumulátortöltő túl hideg vagy túl meleg a használathoz.	Hagyja lehűlni, vagy vigye beltéri helyiségbe, és melegítse fel az akkumulátortöltőt. Ha az akkumulátortöltő hőmérséklete megfelelő, ismét használható. Az akkumulátortöltőt csak 5 °C és 40 °C közötti környezeti hőmérséklet mellett használja.
	Egyéb hibák.	Forduljon az illetékes Husqvarna márkaszervizhez.

## Vezérlőpanel

Hiba	Hibakód (villanások száma)	Lehetséges hibák	Lehetséges megoldás
Villog a hibajelző LED	3	A motor túlterhelt.	Csökkentse a munkamélységet. Lásd: <i>A munkamélység beállítása 193. oldal.</i>
	5	A motor fordulatszámja túlságosan lecsökken, majd a motor leáll.	Ha a hibajelző LED továbbra is villog, a gyeplazító szerkezet elakadt. A véletlen beindítás elkerülése érdekében fordítsa a biztonsági kulcsot „0” állásba, vegye ki az akkumulátort, és várjon legalább 5 másodpercet. Ellenőrizze, hogy a gyeplazító szerkezet szabadon mozog-e. Ha a probléma továbbra is fennáll, lépjen kapcsolatba egy hivatalos szakszervizzel.
	9	A motorvezérlő túl forró.	Állítsa le a motort, és várjon, amíg lehűl.
	7	Akkumulátorhiba, vagy nincs jel az akkumulátortól.	Helyezze be megfelelően az akkumulátort, és ellenőrizze az akkumulátorcsatlakozót. Ha az akkumulátoron lévő hibajelző LED villog, lásd: <i>Akkumulátor 196. oldal.</i>
		Az akkumulátor töltöttségi szintje alacsony.	Töltse fel az akkumulátort. Lásd: <i>Az akkumulátor töltése 193. oldal.</i>
A termék leáll	6	Az akkumulátor töltöttségi szintje alacsony.	Töltse fel az akkumulátort. Lásd: <i>Az akkumulátor töltése 193. oldal.</i>
	Nem villog.	Akkumulátorcsatlakozó hiba.	Vizsgálja meg az akkumulátor csatlakozóját.
Egyéb hibák	Egyéb hibák esetén fordítsa a biztonsági kulcsot „0” állásba, vegye ki az akkumulátort, és forduljon egy hivatalos szervizműhelyhez.		

## Szállítás, tárolás és ártalmatlanítás

### Bevezetés



**FIGYELMEZTETÉS:** A szállítás és tárolás közbeni véletlen beindítás elkerülése érdekében fordítsa a biztonsági kulcsot „0” állásba, vegye ki az akkumulátort, és várjon legalább 5 másodpercet.

előkészítések. Az esetleges helyi jogszabályokat is be kell tartani.

- Szállításhoz mindig vegye ki az akkumulátort.
- Tegyen ragasztószalagot az akkumulátor csatlakozóira, és gondoskodjon róla, hogy az akkumulátor ne mozdulhasson el a szállítás során.
- Szállításkor rögzítse a terméket.

### Szállítás

- A mellékelt lítium-ion akkumulátorokra a veszélyes anyagokra vonatkozó jogszabályok követelményei érvényesek.
- Kereskedelmi szállításnál be kell tartani a csomagoláson és címkéken szereplő speciális előírásokat.
- Ügyeljen rá, hogy betartsa a veszélyes anyagokra vonatkozó jogszabályokat a termék szállításra való

### Tárolás

- Tároláshoz mindig vegye ki az akkumulátorokat.
- Tárolás előtt várja meg, amíg a termék lehűl.
- A baleset megelőzése érdekében tároláskor az akkumulátor ne csatlakozzon a termékhez.
- Az akkumulátortöltőt zárt, száraz helyen tárolja.
- Az akkumulátort és az akkumulátortöltőt száraz helyen tárolja, ahol nem alakul ki nedvesség vagy fagy.

- A tárolás során csatlakoztassa le az akkumulátort az akkumulátortöltőtől.
- Ne tartsa az akkumulátort olyan helyen, ahol elektrosztatikus töltés lehet jelen. Ne tartsa az akkumulátort fém dobozban.
- A terméket olyan helyen tárolja, ahol a környezeti hőmérséklet -10 °C és 40 °C között van.
- Olyan helyen tárolja az akkumulátort, ahol a hőmérséklet mindig 5 és 25 °C közé esik, és védve van a napfénytől.
- Olyan helyen tárolja az akkumulátortöltőt, ahol a hőmérséklet mindig 5 és 45 °C közé esik, és védve van a napfénytől.
- A hosszú ideig való tárolás előtt győződjön meg róla, hogy az akkumulátor legalább 30–50%-os töltöttségű.
- Tartsa a terméket, az akkumulátort és az akkumulátortöltőt gyermekektől és jogosulatlan személyektől elzárt területen.
- Tisztítsa meg a terméket, és győződjön meg arról, hogy a fűgyűjtő üres.
- Végezze el a jelen kezelői kézikönyvben megadott karbantartási eljárásokat. Lásd: *Karbantartási terv194. oldalon.*

- Hosszú idejű tárolás előtt végezzen teljes szervizelést.

## Hulladékként való kezelés

A terméken vagy a csomagolásán található szimbólum azt jelzi, hogy ezt a terméket nem szabad a háztartási hulladék közé helyezni. A megfelelő újrafeldolgozó pontra el kell juttatni az elektromos és elektronikus berendezések hasznosítása érdekében.

A termék megfelelő kezelésének biztosításával segíthet kiküszöbölni azokat a környezetre és az emberre gyakorolt potenciális negatív hatásokat, amelyeket a termék helytelen hulladékkezelése okozhat. A termék újrahasznosításával kapcsolatban az önkormányzat, a hulladékártalmatlanítási szolgáltatást végző vállalkozás, illetve a terméket értékesítő szakkereskedés nyújthat részletesebb tájékoztatást.

(ábra 43)

## Műszaki adatok

### Műszaki adatok

<b>S 138i</b>	
<b>Motor</b>	
Motortípus	BLDC (szénkefe nélküli) 36 V
A tartozék fordulatszáma – SavE, ford./perc	3000
A tartozék fordulatszáma – Névleges, ford./perc	3200
Motor teljesítménye – max. kW	1,28
Motor teljesítménye – névleges, kW	0,9
<b>Tömeg</b>	
Tömeg zsák nélkül (akkumulátor nélkül), kg	19,5
Tömeg zsákkal (1 db BLi30 akkumulátorral), kg	23
<b>Akkumulátor</b>	
Akkumulátor típusa	Husqvarna akkumulátorsorozat
<b>Akkumulátor üzemideje</b>	
Akkumulátor üzemidő, min., (üresjárat) SavE funkcióval, egy 7,5 Ah-s Husqvarna akkumulátorral (BLi30).	195
Akkumulátor üzemidő, min., (üresjárat) normál üzemmódban, egy 7,5 Ah-s Husqvarna akkumulátorral (BLi30).	175

<b>S 138i</b>	
<b>Zajkibocsátás</b> <sup>34</sup>	
Hangteljesítményszint, mért dB (A) érték	89
Hangteljesítményszint, garantált, L <sub>WA</sub> dB (A)	91
<b>Zajszintek</b> <sup>35</sup>	
Hangnyomásszint a felhasználó fülénél, dB (A)	75
<b>Rezgésszintek</b> <sup>36</sup>	
Fogantyú, m/s <sup>2</sup>	5,5
<b>Működés</b>	
Munkamélység, max./min., mm	-8/+5
Munkaszélesség, cm	37,5
Késfogas tartozék	5973510-01
Rugós fogas tartozék	5973509-01
Fügyűjtő űrtartalma, liter	45

Jóváhagyott akkumulátorok	Típus	Akkumulátor kapacitása, Ah	Feszültség, V	Tömeg, font/kg
BLi30	Lítium-ion	7,5	36	4,2/1,9
40-B140	Lítium-ion	4,0	36	2,6/1,2

A megadott akkumulátorokhoz jóváhagyott töltők, BLI	Bemeneti feszültség, V	Frekvencia, Hz	Teljesítmény, W
40-C80	100–240	50–60	68,8
QC250	220–240	50	250

<sup>34</sup> A környezetben a 2000/14/EK sz. EK irányelvvel összhangban hangteljesítményként mért zajkibocsátás (L<sub>WA</sub>).

<sup>35</sup> A hangnyomásszintre vonatkozó jelentési adatok bizonytalansági tényezője (K) 1,5 dB (A).

<sup>36</sup> A rezgésszintre vonatkozó jelentési adatok bizonytalansági tényezője (K) 1,5 m/s<sup>2</sup>. A teljes rezgés deklarált értékének mérése az EN 62841-4-7 szabvány I. mellékletével összhangban történt, és felhasználható az egyes gépek összehasonlítására, valamint a kitettség előzetes értékelésére.

---

## Megfelelőségi nyilatkozat

---



# EU megfelelési nyilatkozat

A **Husqvarna AB**, SE-561 82 Huskvarna, Sweden (tel.: +46-36-146500), a saját felelősségére kijelenti, hogy a termék:

<b>Leírás</b>	Irtóborona
<b>Márka</b>	Husqvarna
<b>Típus/modell</b>	S 138i
<b>Megjelölés</b>	2023-as és újabb sorozatszámok

teljes mértékben megfelelnek a következő EU-irányelveknek és szabályozásoknak:

<b>Irányelv/rendelet</b>	<b>Leírás</b>
2011/65/EU	„az egyes veszélyes anyagok elektromos és elektronikus berendezésekben való alkalmazásának korlátozására vonatkozó”
2006/42/EK	„gépre vonatkozó”
2014/30/EU	„elektromágneses megfelelésre vonatkozó”
2000/14/EK	„környezeti zajkibocsátásra vonatkozó”

valamint hogy az alábbi szabványok és/vagy műszaki előírások kerültek alkalmazásra: EN 62841-1:2015/A11:2022, EN IEC 62841-4-7:2022/A11:2022, EN ISO 12100:2010, EN 55014-1:2017/A11:2020, EN 55014-2:2015, EN IEC 63000:2018.

A zajkibocsátásra vonatkozó tájékoztatást illetően tekintse át a következőt: *Műszaki adatok 198. oldalon.*

Huskvarna, 2023-12-30



Claes Losdal

Fejlesztési Igazgató/Kertművelési termékek

Husqvarna AB

A műszaki dokumentációk felelőse



---

## Sommario

---

Introduzione.....	202	Ricerca guasti.....	212
Sicurezza.....	203	Trasporto, stoccaggio e smaltimento.....	213
Montaggio.....	208	Dati tecnici.....	214
Utilizzo.....	209	Dichiarazione di conformità.....	216
Manutenzione.....	210		

---

## Introduzione

---

### Descrizione del prodotto

Il prodotto è un arieggiatore elettrico con operatore a piedi. Il prodotto rimuove l'erba secca dal prato e dissoda il terreno in modo da consentire la penetrazione di aria e acqua. L'erba secca viene raccolta in un raccogliherba o rilasciata sul prato. Il prodotto è dotato di 2 tipi di arieggiatori.

### Arieggiatore

Fare riferimento a *Sostituzione dell'arieggiatore alla pagina 212* per informazioni su come sostituire l'arieggiatore.

### Rebbi della lama

I rebbi della lama rimuovono l'erba secca e tagliano le radici dell'erba in verticale. Utilizzare i rebbi della lama

### Panoramica del prodotto

(Fig. 1)

1. Leva del freno motore
2. Impugnatura superiore
3. Pannello di controllo
4. Inibitore di avviamento
5. Impugnatura inferiore
6. Raccogliherba
7. Coperchio posteriore
8. Coperchio arieggiatore
9. Coperchio della batteria
10. Manopola di regolazione della profondità di lavoro
11. Chiave di sicurezza
12. Indicatore LED ON/OFF
13. Pulsante ON/OFF
14. Pulsante SavE
15. Indicatore LED SavE
16. Indicatore di carica della batteria e pulsante della batteria
17. Denti a molla
18. Batteria (accessorio)
19. Caricabatterie (accessorio)
20. Brugola
21. Manuale dell'operatore

su dislivelli, terrazze e su terreni con elevato contenuto di argilla. I rebbi della lama lasciano scorrere l'acqua nel prato ed evitano che l'acqua si accumuli sulla superficie

(Fig. 17)

### Denti a molla

I denti a molla rimuovono con cautela l'erba secca e morta dal prato senza danneggiare le radici dell'erba.

(Fig. 18)

### Uso previsto

Utilizzare il prodotto per rimuovere l'erba secca e il muschio e per dissodare il terreno nei giardini privati. Non utilizzare il prodotto per altre attività.

### Simboli riportati sul prodotto

(Fig. 2)      AVVERTENZA

(Fig. 3)      Leggere le istruzioni.

(Fig. 4)      AVVERTENZA - Prestare attenzione agli oggetti lanciati.

(Fig. 5)      Tenere lontano persone e animali dalla zona di lavoro.

(Fig. 6)      AVVERTENZA - Tenere mani e piedi lontani dai rebbi.

(Fig. 7)      Scollegare la batteria prima di eseguire la manutenzione.

(Fig. 8)      Non esporre alla pioggia.

(Fig. 9)      Questo prodotto è dotato di protezione contro gli spruzzi d'acqua.

(Fig. 10)      Il prodotto è conforme alle direttive CE vigenti.

(Fig. 11) Il presente prodotto è conforme alle direttive del Regno Unito vigenti.

(Fig. 12) Emissioni di rumore nell'ambiente in conformità alle direttive e alle norme UE e UK e alla norma del Nuovo Galles del Sud in materia di protezione dell'ambiente "Protection of the Environment Operations (Noise Control) Regulation 2017". Il livello di potenza sonora garantito del prodotto è specificato in *Dati tecnici alla pagina 214* nonché sull'etichetta.

(Fig. 15) Riciclare questo prodotto in una stazione di riciclaggio per apparecchiature elettriche ed elettroniche. (Solo per l'Europa)

(Fig. 16) Procedura di avvio: premere il pulsante ON/OFF, allentare l'inibitore dell'avviamento, premere verso il basso la leva del freno motore.

(Fig. 13) Rilasciare l'impugnatura del freno motore per arrestarlo.

(Fig. 14) Codice scansionabile.

**Nota:** I restanti simboli/decalcomanie sul prodotto riguardano particolari requisiti necessari per ottenere la certificazione in alcuni mercati.

## Danni al prodotto

Non siamo responsabili dei danni al prodotto se:

- Il prodotto viene riparato in modo errato.
- Il prodotto viene riparato con parti che non provengono o non sono omologate dal produttore.
- Il prodotto contiene un accessorio che non proviene o non è omologato dal produttore.
- Il prodotto non viene riparato presso un centro di assistenza autorizzato o presso un'autorità competente.

## Sicurezza

### Definizioni di sicurezza

Le avvertenze, le precauzioni e le note sono utilizzate per evidenziare le parti importanti del manuale.



**AVVERTENZA:** Utilizzato se è presente un rischio di lesioni o morte dell'operatore o di passanti nel caso in cui le istruzioni del manuale non vengano rispettate.



**ATTENZIONE:** Utilizzato se è presente un rischio di danni al prodotto, ad altri materiali oppure alla zona adiacente nel caso in cui le istruzioni del manuale non vengano rispettate.

**Nota:** Utilizzato per fornire ulteriori informazioni necessarie in una determinata situazione.

### Avvertenze generali di sicurezza sul prodotto



**AVVERTENZA:** Leggere tutte le specifiche, illustrazioni, istruzioni e avvertenze di sicurezza fornite con questo prodotto. La mancata osservanza di tutte le

istruzioni elencate di seguito può dare luogo a scosse elettriche, incendi e/o gravi lesioni.

**Conservare tutte le avvertenze e le istruzioni per la futura consultazione.** Nelle avvertenze, il termine "prodotto" si riferisce al prodotto alimentato tramite rete elettrica (con cavo) o a batteria (senza fili).

### Sicurezza dell'area di lavoro

- **Tenere l'area di lavoro pulita e ben illuminata.** Il disordine e le aree di lavoro non illuminate possono essere causa di incidenti.
- **Non mettere in funzione il prodotto in ambienti esplosivi, quali quelli che comportano la presenza di liquidi infiammabili, gas o polvere.** Il prodotto genera scintille che possono incendiare polveri o fumi.
- **Evitare che bambini e altre persone si avvicinino mentre il prodotto è in funzione.** Le distrazioni possono causare la perdita del controllo.

### Sicurezza personale

- **Durante l'utilizzo del prodotto, prestare attenzione e utilizzare il buonsenso. Non utilizzare un prodotto quando si è stanchi o sotto l'effetto di droghe, alcol o farmaci.** Un momento di disattenzione può provocare lesioni personali gravi.
- **Usare sempre abbigliamento protettivo personale. Indossare sempre una protezione per gli occhi.** L'uso in condizioni adeguate dell'abbigliamento protettivo (come mascherina protettiva, calzature di sicurezza

antiscivolo, elmetto o cuffie protettive) riduce le lesioni personali.

- **Prevenire la messa in funzione accidentale. Assicurarsi che l'interruttore sia in posizione OFF prima di effettuare il collegamento alla fonte di alimentazione e/o al pacco batterie, o di sollevare o trasportare il prodotto.** Trasportare il prodotto tenendo le dita sull'interruttore oppure accendere prodotti con l'interruttore acceso, può provocare incidenti.
- **Rimuovere eventuali chiavi o strumenti di regolazione prima di accendere il prodotto.** Una chiave o altro attrezzo rimasto attaccato a parti rotanti del prodotto può provocare lesioni personali.
- **Operare in sicurezza. Operare sempre facendo attenzione a posizionare bene i piedi e a mantenere l'equilibrio.** In questo modo è possibile ottenere un migliore controllo del prodotto in situazioni impreviste.
- **Vestirsi in maniera adeguata. Non indossare abiti troppo ampi o gioielli. Tenere capelli e indumenti lontani dalle parti in movimento.** Lasciati liberi, indumenti, gioielli o capelli lunghi possono restare impigliati nelle parti in movimento.
- **Qualora vengano forniti strumenti per il collegamento a strutture di estrazione e raccolta della polvere, accertarsi che queste siano collegate e usate in modo adeguato.** La raccolta della polvere può ridurre i rischi legati alla presenza di questo agente.
- **La familiarità e l'esperienza acquisite a seguito dell'uso frequente del prodotto non devono essere motivo di distrazione nell'utilizzo dello stesso. Non ignorare i principi di sicurezza del prodotto.** Un'azione incauta può provocare gravi danni in una frazione di secondo.

## Cura e utilizzo del prodotto

- **Non esercitare forza sul prodotto. Utilizzare il prodotto adatto all'applicazione.** Il prodotto corretto svolgerà il lavoro al meglio e in modo più sicuro se utilizzato alla velocità per la quale è stato progettato.
- **Non utilizzare il prodotto se non è possibile accenderlo o spegnerlo tramite interruttore.** Nel caso in cui il prodotto non possa essere controllato tramite interruttore è una situazione di pericolo e, pertanto, è necessario ripararlo.
- **Scollegare la spina dalla fonte di alimentazione e/o rimuovere dal prodotto il pacco batterie, se staccabile, prima di procedere a eventuali regolazioni, sostituzioni di accessori o alla conservazione dei prodotti.** Tali misure di sicurezza preventive riducono il rischio di avvio accidentale del prodotto.
- **Riporre i prodotti quando spenti fuori dalla portata dei bambini e non consentirne l'utilizzo a persone che non hanno familiarità con tali prodotti e con queste istruzioni.** Se utilizzati da persone non preparate, tali prodotti sono pericolosi.
- **Effettuare la manutenzione del prodotto e degli accessori. Verificare l'eventuale presenza di un**

**allineamento non corretto o inceppamento delle parti in movimento, la rottura di pezzi o altra condizione che possa compromettere il funzionamento del prodotto. Qualora danneggiato, riparare il prodotto prima dell'uso.** Numerosi incidenti sono provocati da prodotti sottoposti a manutenzione inadeguata.

- **Mantenere affilati e puliti gli strumenti da taglio.** Con una manutenzione adeguata, gli strumenti da taglio con bordi affilati risultano più facili da controllare e meno pericolosi.
- **Utilizzare il prodotto, gli accessori, le punte ecc. come indicato nelle presenti istruzioni, tenendo conto delle condizioni di lavoro e della prestazione da effettuare.** L'utilizzo del prodotto per usi diversi da quelli previsti può provocare situazioni di pericolo.
- **Mantenere le impugnature e le superfici di presa asciutte, pulite e prive di olio e grasso.** Le impugnature e le superfici di presa scivolose non consentono una manipolazione e un controllo sicuri del prodotto in situazioni impreviste.

## Utilizzo e manutenzione della batteria

- **Ricaricare l'attrezzo esclusivamente utilizzando il caricabatterie specificato dal produttore.** L'utilizzo di un caricabatterie indicato per un altro tipo di batteria potrebbe provocare rischio di incendio.
- **Utilizzare i prodotti esclusivamente con le batterie specificate.** L'utilizzo di altri pacchi batteria potrebbe provocare lesioni e incendi.
- **Se la batteria non viene utilizzata, tenerla lontana da altri oggetti metallici, come graffette, monete, chiavi, chiodi, viti o altri piccoli oggetti metallici che potrebbero consentire il collegamento tra i terminali.** Provocare il cortocircuito dei terminali della batteria potrebbe causare ustioni o provocare un incendio.
- **In condizioni non ottimali, la batteria potrebbe perdere liquido; evitare il contatto. Qualora il contatto avvenisse, sciacquare la parte con acqua. Se il liquido entra negli occhi, chiamare immediatamente un medico.** Il liquido fuoriuscito dalla batteria potrebbe causare irritazioni o ustioni.
- **Non usare batterie o utensili danneggiati o modificati.** Batterie danneggiate o modificate possono manifestare un comportamento imprevedibile, con rischio di incendi, esplosioni e lesioni.
- **Non esporre batterie o utensili al fuoco o a temperature elevate.** L'esposizione al fuoco o una temperatura superiore a 130 °C (265 °F) può provocare esplosioni.
- **Seguire tutte le istruzioni per il caricamento della batteria e non caricare la batteria o l'utensile al di fuori dell'intervallo di temperatura indicato nelle istruzioni.** Ricaricare in modo inappropriato o a temperature che non rientrano nell'intervallo specificato può danneggiare la batteria e aumentare il rischio di incendio.

## Servizio

- **Fare riparare il prodotto da personale specializzato utilizzando esclusivamente pezzi di ricambio originali.** Ciò consente di mantenere il prodotto in perfette condizioni di sicurezza.
- **Non riparare mai le batterie danneggiate.** Gli interventi di manutenzione sul pacco batterie devono essere eseguiti esclusivamente dal produttore o da centri assistenza autorizzati.

## Avvertenze di sicurezza relative al prodotto

- **Non utilizzare il prodotto in condizioni climatiche sfavorevoli, specialmente se vi è rischio di fulmini.** Ciò riduce il rischio di essere colpiti da un fulmine.
- **Ispezionare attentamente l'area in cui deve essere utilizzato il prodotto per verificare l'eventuale presenza di fauna selvatica.** Durante l'utilizzo, il prodotto può provocare lesioni alla fauna selvatica.
- **Controllare attentamente l'area in cui deve essere utilizzato il prodotto e rimuovere tutti i sassi, bastoncini, cavi, ossa e qualsiasi altro oggetto estraneo presente.** Gli oggetti che vengono scagliati possono provocare lesioni personali.
- **Prima di utilizzare il prodotto, controllare sempre che i rebbi e il gruppo rebbi non siano danneggiati o usurati.** Le parti danneggiate o usurate aumentano il rischio di lesioni.
- **Controllare frequentemente la presenza di usura e danni sul raccoglierba.** Un raccoglierba usurato o danneggiato può aumentare il rischio di lesioni personali.
- **Mantenere le protezioni in posizione. Le protezioni devono essere in buone condizioni e montate correttamente.** Una protezione allentata, danneggiata o non correttamente funzionante può provocare lesioni personali.
- **Tenere i detriti lontani dalle prese d'aria di raffreddamento.** L'ostruzione delle prese d'aria e la presenza di detriti possono provocare surriscaldamento o rischio di incendio.
- **Durante l'utilizzo del prodotto, indossare sempre calzature antiscivolo e protettive. Non utilizzare il prodotto a piedi nudi o indossando sandali aperti.** Così facendo si riduce il rischio di lesioni ai piedi dovute al contatto con i rebbi in movimento.
- **Durante l'uso del prodotto, indossare sempre pantaloni lunghi.** La pelle esposta aumenta la probabilità di lesioni causate da oggetti proiettati.
- **Non utilizzare il prodotto su erba bagnata. Procedere adagio, non correre.** Così facendo si riduce il rischio di scivolamento e caduta con conseguenti lesioni personali.
- **Non utilizzare il prodotto su pendenze eccessive.** Così facendo si riduce il rischio di perdita di controllo, scivolamento e caduta con conseguenti lesioni personali.
- **Quando si lavora su pendenze, assicurarsi sempre di avere una posizione stabile, lavorare sempre trasversalmente lungo le pendenze, mai guardando**

**a monte o a valle e prestare la massima attenzione quando durante i cambi di direzione.** Così facendo si riduce il rischio di perdita di controllo, scivolamento e caduta con conseguenti lesioni personali.

- **Prestare la massima attenzione durante la retromarcia o quando si tira il prodotto verso di sé. Prestare sempre attenzione all'ambiente circostante.** In questo modo si riduce il rischio di inciampare durante il funzionamento.
- **Tenere il prodotto esclusivamente dalle apposite impugnature isolate poiché i rebbi potrebbe entrare in contatto con cavi nascosti o con il proprio filo.** Se i rebbi entrano in contatto con un cavo sotto tensione potrebbero eccitare eventuali parti di metallo esposte della macchina e provocare una scossa elettrica all'operatore.
- **Non toccare i rebbi e altre parti in movimento pericolose mentre sono ancora in movimento.** In questo modo si riduce il rischio di lesioni dovute alle parti in movimento.
- **Durante la rimozione del materiale inceppato o la pulizia del prodotto, assicurarsi che tutti gli interruttori di corrente siano spenti e che la batteria sia scollegata.** L'azionamento imprevisto del prodotto può causare gravi lesioni personali.

## Istruzioni di sicurezza generali



**AVVERTENZA:** Leggere le seguenti avvertenze prima di utilizzare il prodotto.

- Questo prodotto è pericoloso se utilizzato in maniera impropria o se non si presta attenzione. La mancata osservanza delle istruzioni di sicurezza può causare lesioni anche fatali.
- Durante il funzionamento, questo prodotto genera un campo elettromagnetico. Tale campo può interferire, in alcuni casi, con persone portatrici di impianti medici attivi o passivi. Per ridurre il rischio di condizioni che possono implicare lesioni gravi o mortali, i portatori di tali impianti devono consultare il proprio medico e il produttore dell'impianto prima di utilizzare questo prodotto.
- Usare la massima cautela e il buon senso. Se non si è sicuri di come utilizzare il prodotto in una particolare situazione, fermarsi e rivolgersi al proprio rivenditore Husqvarna prima di continuare.
- Tenere presente che l'operatore potrà essere ritenuto responsabile di eventuali incidenti che coinvolgano altre persone o i loro beni.
- Tenere pulito il prodotto. Assicurarsi che sia possibile leggere chiaramente simboli e decalcomanie.
- Non consentire mai l'uso dell'apparecchio a bambini o persone che non conoscono le presenti istruzioni. Alcune normative locali possono limitare l'età dell'operatore.
- Controllare sempre qualsiasi persona, dalle capacità fisiche o mentali ridotte, che utilizzi il prodotto. È

necessaria sempre la supervisione di un adulto responsabile.

- Non utilizzare il prodotto quando si è stanchi, ammalati o sotto effetto di alcool, farmaci o medicinali. Essi potrebbero compromettere la vista, l'attenzione, il coordinamento e il giudizio.
- Non utilizzare il prodotto se danneggiato o se non funziona correttamente.
- Non modificare il prodotto né utilizzarlo nel caso in cui vi sia la possibilità che sia stato modificato da altri.

## Sicurezza sul lavoro



**AVVERTENZA:** Leggere le seguenti avvertenze prima di utilizzare il prodotto.

- Utilizzare il prodotto per rimuovere l'erba secca e il muschio solo dai prati. Non è consentito utilizzare il prodotto per altri scopi.
- Usare sempre abbigliamento protettivo personale. Fare riferimento a *Dispositivi di protezione individuale alla pagina 206*.
- Assicurarsi di saper spegnere il motore rapidamente in caso di emergenza.
- Non utilizzare il prodotto con pioggia o umidità. In queste condizioni aumenta il rischio di scosse elettriche.
- Non azionare il prodotto senza prima aver montato correttamente i rebbi e tutti i coperchi. Rebbi non correttamente fissati potrebbero allentarsi e causare lesioni personali.
- Assicurarsi che i rebbi non urtino oggetti quali pietre e radici. Ciò potrebbe provocare danni ai rebbi e piegare l'albero motore. Un asse piegato provoca forti vibrazioni e un alto rischio di allentamento dei rebbi.
- Qualora i rebbi urtino contro un oggetto o all'insorgere di vibrazioni, arrestare immediatamente il prodotto. Arrestare il motore, ruotare la chiave di sicurezza su 0 e rimuovere la batteria. Attendere l'arresto delle parti mobili. Verificare la presenza di eventuali danni al prodotto. Serrare le parti allentate. Riparare e sostituire le parti danneggiate. Affidare la riparazione a una officina autorizzata.
- Non fissare l'impugnatura del freno motore in modo permanente al manubrio quando il motore è avviato.
- Posizionare il prodotto su una superficie piana e stabile e avviarlo. Assicurarsi che i rebbi non vengano a contatto con il terreno o con altri oggetti.
- Collocarsi sempre posteriormente al prodotto quando lo si utilizza.
- Consentire a tutte le ruote di restare a contatto con il suolo e tenere le 2 mani sull'impugnatura mentre si aziona il prodotto. Tenere mani e piedi lontani dai rebbi rotanti.
- Non inclinare il prodotto quando si avvia il motore o durante il funzionamento del prodotto.

- Prestare attenzione quando si tira il prodotto verso sé.
- Non sollevare mai il prodotto a motore avviato. Se è necessario sollevare il prodotto, arrestare prima di tutto il motore, poi ruotare la chiave di sicurezza su 0 e rimuovere la batteria.
- Non camminare all'indietro quando si utilizza il prodotto.
- Arrestare il motore quando è necessario inclinare il prodotto per il trasporto o prima di spostarsi su aree senza erba, ad esempio percorsi di ghiaia, pietra e asfalto.
- Non correre con il prodotto quando il motore è acceso. Camminare sempre durante l'utilizzo del prodotto.
- Arrestare il motore prima di apportare qualsiasi modifica alla profondità di lavoro. Non effettuare mai regolazioni quando il motore è acceso.
- Non perdere mai di vista il prodotto quando il motore è acceso. Arrestare il motore, ruotare la chiave di sicurezza su 0 e rimuovere la batteria. Assicurarsi che l'arieggiatore non ruoti.
- Le vibrazioni nel prodotto durante il funzionamento possono essere diverse dal valore delle vibrazioni dichiarato in *Dati tecnici alla pagina 214*. La differenza è causata da variazioni del modo in cui viene utilizzato il prodotto. Se utilizzate il prodotto frequentemente o per lunghi periodi di tempo, fate regolarmente delle pause per evitare lesioni dovute alle vibrazioni.

## Istruzioni di sicurezza per il funzionamento

### Dispositivi di protezione individuale



**AVVERTENZA:** Leggere le seguenti avvertenze prima di utilizzare il prodotto.

- L'uso di abbigliamento protettivo personale non elimina il rischio di lesioni, ma ne riduce la gravità in caso di incidente. Farsi consigliare dal rivenditore per la scelta dell'attrezzatura adatta.
- Utilizzare robusti stivali o scarpe antiscivolo. Non utilizzare il prodotto con calzature aperte o a piedi nudi.
- Utilizzare pantaloni lunghi di tessuto pesante.
- Indossare guanti protettivi ove necessario, ad esempio per montare, ispezionare o pulire l'attrezzatura di taglio.
- Si consiglia di utilizzare cuffie protettive.

### Dispositivi di sicurezza sul prodotto



**AVVERTENZA:** Leggere le seguenti avvertenze prima di utilizzare il prodotto.

- Non utilizzare un prodotto usando dispositivi di sicurezza danneggiati o che non funzionano correttamente.
- Non rimuovere o apportare modifiche ai dispositivi di sicurezza.
- Effettuare regolarmente un controllo dei dispositivi di sicurezza. Se i dispositivi di sicurezza sono danneggiati o non funzionano correttamente, rivolgersi al centro di assistenza Husqvarna.

## Controllo dei coperchi

Il coperchio dell'arieggiatore riduce le vibrazioni del prodotto e il rischio di ferirsi con l'arieggiatore.

- Esaminare il coperchio dell'arieggiatore laterale per accertarsi che non presenti danni quali crepe.
- Esaminare il coperchio posteriore per accertarsi che non presenti danni quali crepe.

## Leva del freno motore

L'impugnatura del freno motore arresta il motore. Quando si rilascia l'impugnatura del freno motore, il motore si arresta.

Per controllare il freno motore, avviare il motore e quindi rilasciare l'impugnatura del freno motore. Se il motore non si arresta entro 3 secondi, far regolare il freno motore presso un'officina Husqvarna autorizzata.

(Fig. 19)

## Chiave di sicurezza

La chiave di sicurezza si trova sotto il coperchio della batteria. La chiave di sicurezza viene utilizzata per collegare la batteria che alimenta il motore.

- Avviare e arrestare il motore per effettuare un controllo della chiave di sicurezza.
- Se la chiave di sicurezza funziona correttamente, il motore si avvia solo quando la chiave è in posizione 1.

(Fig. 20)

## Per esaminare l'inibitore di avviamento

Effettuare un controllo dell'inibitore di avviamento per accertarsi che impedisca il funzionamento del motore.

1. Spingere l'impugnatura del freno motore in direzione del manubrio. L'inibitore di avviamento arresta il movimento.
2. Tirare fuori l'inibitore di avviamento. (Fig. 21)
3. Rilasciare l'inibitore di avviamento e accertarsi che ritorni nella sua posizione iniziale.

## Sicurezza batterie



**AVVERTENZA:** Leggere le seguenti avvertenze prima di utilizzare il prodotto.

- Utilizzare le batterie ricaricabili Husqvarna come alimentazione per i soli prodotti Husqvarna in questione. Per evitare il rischio di lesioni, non utilizzare la batteria come fonte di alimentazione per altri dispositivi.
- Non utilizzare batterie non ricaricabili.
- Rischio di scosse elettriche. Non collegare i morsetti della batteria a chiavi, monete, viti o altro tipo di metallo. Ciò causare un corto circuito della batteria.
- Non inserire oggetti nelle feritoie di aerazione della batteria.
- Tenere la batteria lontano dalla luce del sole, dal calore o da fiamme libere. La batteria può esplodere e causare bruciate e/o ustioni chimiche.
- Tenere la batteria lontano da pioggia e umidità.
- Tenere la batteria lontano da microonde e alta pressione.
- Non tentare di smontare o rompere la batteria.
- In caso di perdite dalla batteria, non lasciare che il liquido entri in contatto con il corpo o con gli occhi. In caso di contatto con il liquido, pulire l'area con grandi quantità di acqua e consultare un medico.
- Utilizzare la batteria nel prodotto esclusivamente quando la temperatura ambiente è compresa tra 5 °C e 40 °C.
- Utilizzare il caricabatterie esclusivamente quando la temperatura ambiente è compresa tra 5 °C e 40 °C.
- La batteria non si carica se la sua temperatura è superiore a 50 °C.
- Non pulire la batteria o il caricabatterie con acqua. Fare riferimento a *Batteria alla pagina 212*.
- Non utilizzare un prodotto danneggiato.
- Conservare le batterie lontano da oggetti metallici, come ad esempio chiodi, monete, gioielli.

## Sicurezza del caricabatterie



**AVVERTENZA:** Leggere le seguenti avvertenze prima di utilizzare il prodotto.

- Utilizzare i caricabatterie QC per caricare esclusivamente le batterie di ricambio Husqvarna.
- Rischio di scosse elettriche o cortocircuiti. Non inserire oggetti nelle feritoie di aerazione del caricabatterie. Non tentare di smontare il caricabatterie. Non collegare i terminali del caricabatterie a oggetti metallici. Utilizzare una presa di rete omologata.
- Durante il funzionamento, questo prodotto genera un campo elettromagnetico. Tale campo può interferire, in alcuni casi, con persone portatrici di impianti medici attivi o passivi. Per ridurre il rischio di condizioni che possono implicare lesioni personali gravi o mortali, i portatori di tali impianti devono consultare il proprio medico e il produttore dell'impianto prima di utilizzare questo prodotto.

- Verificare regolarmente che il cavo di alimentazione del caricabatterie non sia danneggiato e che non vi siano crepe.
- Non sollevare il caricabatterie tramite il cavo di alimentazione. Per scollegare il caricabatterie da una presa di rete, tirare la spina. Non tirare il cavo di alimentazione.
- Tenere il cavo di alimentazione e le prolunghie lontani da acqua, olio e bordi appuntiti. Fare attenzione affinché il cavo non si incastri in porte, ostacoli o simili. Questo potrebbe causare scosse elettriche al contatto con il caricabatterie.
- Non pulire il caricabatteria con acqua.
- Il caricabatterie può essere utilizzato da bambini a partire da 8 anni di età e da parte di persone con ridotte capacità fisiche, sensoriali o mentali, oppure con mancanza di esperienza e conoscenza, se vengono controllati o ricevono istruzioni sull'utilizzo sicuro del caricabatterie e se comprendono i rischi. I bambini non devono giocare con il caricabatterie. La pulizia e la manutenzione non devono essere eseguite da bambini senza la supervisione di adulti.
- Non caricare batterie non ricaricabili nel caricabatterie.
- Non utilizzare il caricabatterie in prossimità di materiali infiammabili o materiali corrosivi. Non coprire il caricabatterie. Staccare la spina del caricabatterie in caso di fumo o incendio.
- Non utilizzare un caricabatterie difettoso o danneggiato.
- Caricare la batteria solo in luoghi chiusi, in una stanza con un buon flusso d'aria e lontano dalla luce del sole. Non caricare la batteria in condizioni di umidità.
- Per evitare l'avviamento accidentale durante la manutenzione, ruotare la chiave di sicurezza su 0 e rimuovere la batteria. Attendere almeno 5 secondi prima di iniziare la manutenzione.
- Eseguire gli interventi di manutenzione correttamente in modo da aumentare la durata di vita del prodotto e ridurre il rischio di incidenti. Affidare le riparazioni professionali a un'officina autorizzata. Per ulteriori informazioni, rivolgersi all'officina più vicina.
- Eseguire esclusivamente gli interventi di manutenzione riportati nel presente manuale operatore. Per operazioni di maggiore entità, rivolgersi a un'officina autorizzata.
- Per evitare lesioni, non rimuovere o apportare modifiche ai dispositivi di sicurezza.
- Indossare guanti per lavori pesanti quando si utilizza l'arieggiatore. L'arieggiatore è molto affilato e ci si può ferire facilmente.
- Mantenere i rebbi sull'arieggiatore affilati e puliti per prestazioni più sicure e ottimali.
- Far esaminare regolarmente il prodotto da un'officina per messe a punto e riparazioni necessarie.
- Sostituire le parti danneggiate, usurate o rotte. Utilizzare sempre parti di ricambio originali raccomandati dal produttore. Altri pezzi di ricambio possono danneggiare il prodotto e aumentare il rischio di incidenti.
- Rispettare le istruzioni per la sostituzione degli accessori. Utilizzare solo accessori del produttore.
- Quando non in uso, tenere il prodotto, la batteria e il caricabatterie lontano in un luogo all'interno, chiuso a chiave e asciutto. Assicurarsi che i bambini e le persone non autorizzate non abbiano accesso al prodotto, alla batteria o al caricabatterie.

## Istruzioni di sicurezza per la manutenzione



**AVVERTENZA:** Leggere le seguenti avvertenze prima di utilizzare il prodotto.

## Montaggio

### Introduzione



**AVVERTENZA:** Prima di montare il prodotto, leggere il capitolo sulla sicurezza.



**AVVERTENZA:** Per evitare l'avviamento accidentale durante il montaggio, ruotare la chiave di sicurezza su 0, rimuovere la batteria e attendere almeno 5 secondi.

### Per montare l'impugnatura

1. Allentare le manopole inferiori.
2. Spostare le manopole verso l'estremità inferiore delle scanalature dei lati sinistro e destro del prodotto. (Fig. 22)
3. Impostare l'altezza dell'impugnatura su una delle 2 posizioni disponibili.
4. Spostare le manopole verso l'alto in direzione dell'impugnatura fino a quando un clic ne segnala l'arresto. (Fig. 23)
5. Stringere completamente le manopole.



## Per assemblare il raccoglierba

1. Fissare il telaio del raccoglierba al relativo sacco con la parte rigida di quest'ultimo posta in basso. Mantenere l'impugnatura del telaio dalla parte alta del sacco raccoglierba. (Fig. 24)
2. Fissare la parte inferiore del telaio del raccoglierba nella scanalatura in basso del raccoglierba.
3. Fissare il sacco sul telaio del raccoglierba utilizzando i fermi. (Fig. 25)

4. Sollevare il coperchio posteriore.
5. Spostare il raccoglierba nella posizione corretta. (Fig. 26)
6. Fissare il raccoglierba al bordo superiore del telaio. Assicurarsi che il coperchio posteriore sia sigillato sul raccoglierba per evitare perdite. (Fig. 27)

## Utilizzo

### Introduzione



**AVVERTENZA:** Prima di utilizzare il prodotto, è necessario leggere e comprendere il capitolo relativo alla sicurezza.

### Husqvarna Connect

Husqvarna Connect è un'app gratuita per i dispositivi mobili. L'app Husqvarna Connect fornisce funzioni estese per il prodotto Husqvarna:

- Informazioni aggiuntive sul prodotto.
- Dettagli, guida, parti del prodotto e manutenzione.

### Primo utilizzo Husqvarna Connect

1. Scaricare l'app Husqvarna Connect sul proprio dispositivo mobile.
2. Registrarsi nell'app Husqvarna Connect.
3. Attenersi alle istruzioni dell'app Husqvarna Connect per collegare e registrare il prodotto.

### Impostazione della profondità di lavoro



**AVVERTENZA:** Non regolare la profondità di lavoro durante l'uso del prodotto.

1. Spingere e ruotare la manopola di regolazione della profondità di lavoro in senso antiorario per aumentarla.
2. Spingere e ruotare la manopola di regolazione della profondità di lavoro in senso orario per ridurla. (Fig. 28)

### Batteria



**AVVERTENZA:** Prima di utilizzare la batteria, leggere e comprendere il capitolo sulla sicurezza. È inoltre importante leggere e comprendere il manuale operatore della batteria e del caricabatterie.

Mantenere la batteria e il caricabatteria a una temperatura ambiente adeguata.

	Temperatura ambiente
Funzionamento della batteria	5 °C - 40 °C
Caricamento della batteria	5 °C - 40 °C

### Stato della batteria

Il display mostra la capacità residua della batteria e se sussistono problemi con la batteria stessa. Premere il pulsante indicatore dello stato della batteria per ricevere le informazioni sullo stato di carica della batteria. Il simbolo d'avvertenza sulla batteria si accende quando si verifica un errore. Fare riferimento a *Batteria alla pagina 212*.

(Fig. 29)

Luci LED	Stato della batteria
Tutti i LED accesi	Completamente carica (76-100%)
LED 1, LED 2, LED 3 accesi	La batteria è carica al 51%-75%
LED 1, LED 2 accesi	La batteria è carica al 26%-50%
LED 1 acceso.	La batteria è carica allo 6%-25%.
Il LED 1 lampeggia	La batteria è carica allo 0%-5%.

### Per caricare la batteria

Caricare la batteria prima del primo utilizzo. Quando viene fornita al cliente, la batteria è carica solo al 30%.

**Nota:** Il caricabatterie deve essere collegato alla rete elettrica e alla frequenza indicate sulla targhetta dati di funzionamento.

La batteria non si ricarica se la sua temperatura è superiore a 50°C. Il caricabatteria riduce la temperatura della batteria prima di iniziare la ricarica.

1. Collegare un'estremità del cavo di alimentazione del caricabatteria alla presa del caricabatterie.
2. Collegare l'altra estremità del cavo di alimentazione del caricabatteria ad una presa di corrente con messa a terra. Il LED sul caricabatterie lampeggia verde per una volta. (Fig. 30)
3. Inserire la batteria nel caricabatterie. La luce verde sul caricabatterie si accende quando la batteria è collegata correttamente al caricabatterie. (Fig. 31)
4. Quando tutti i LED sulla batteria sono accesi, la batteria è completamente carica. Caricare la batteria per massimo 24 ore.
5. Per scollegare il caricabatterie dalla presa di rete, estrarre la spina e non il cavo di alimentazione.
6. Rimuovere la batteria dal caricabatterie.

## Avviamento dell'unità

1. Inserire una batteria carica nel vano batteria numero 1, sotto il coperchio della batteria. Per tempi di funzionamento più lunghi, mettere una seconda batteria carica nel vano batteria numero 2.
2. Ruotare la chiave di sicurezza su 1. (Fig. 32)
3. Collocarsi dietro il prodotto.
4. Premere il pulsante ON/OFF (A) sul pannello di controllo e il LED verde (B) si accende. (Fig. 33)
5. Allentare l'inibitore di avviamento. (Fig. 34)
6. Spingere l'impugnatura del freno motore in direzione del manubrio. (Fig. 35)

## Per utilizzare la funzione SavE

Il prodotto dispone di una funzione di risparmio batteria (SavE) che permette tempi di funzionamento più lunghi.

1. Premere il pulsante SavE (A) per avviare la funzione. Il LED verde si accende. (Fig. 36)
2. Premere nuovamente il pulsante SavE per arrestare la funzione. Il LED verde (B) si spegne.

## Funzione carico elevato

Quando il prodotto taglia erba lunga o umida, il motore aumenta automaticamente i giri/min. Il motore torna alla modalità standard quando il carico elevato non è necessario.

## Stallo del motore

Durante il funzionamento, la lama e il motore possono arrestarsi temporaneamente a causa di ostacoli come ad esempio l'ostruzione dell'erba sotto il coperchio di taglio. Se ciò si verifica e si tiene premuta la maniglia del freno motore, il prodotto si riavvia automaticamente. Se il prodotto non si riavvia entro 5-10 secondi, può essere necessario fare pulizia sotto il coperchio. Fare riferimento a *Per pulire il prodotto alla pagina 211*.



**AVVERTENZA:** Se il motore si arresta, il prodotto tenta di riavviarsi automaticamente per 5-10 secondi. Attendere almeno 15 secondi prima di controllare il coperchio di taglio.



**AVVERTENZA:** Prima di controllare il coperchio di taglio, rilasciare la maniglia del freno motore, ruotare la chiave di sicurezza su 0, rimuovere la batteria e attendere almeno 5 secondi. Se l'ostacolo viene rimosso e il prodotto si avvia accidentalmente, sussiste il rischio di lesioni.

## Arresto del prodotto

Il prodotto si arresta automaticamente se rimane inutilizzato per 10 minuti. Non perdere mai di vista il prodotto quando il motore è acceso. Arrestare il motore, ruotare la chiave di sicurezza su 0 e rimuovere la batteria. Accertarsi che l'arieggiatore non ruoti.

1. Rilasciare l'impugnatura del freno motore per arrestare il motore. (Fig. 37)
2. Tenere premuto il pulsante ON/OFF (A) sul pannello di comando fino allo spegnimento del LED verde (B). (Fig. 33)
3. Aprire il coperchio della batteria e ruotare la chiave di sicurezza in posizione 0. (Fig. 38)
4. Per rimuovere la batteria, premere contemporaneamente i 2 pulsanti di rilascio ed estrarre la batteria. (Fig. 39)
5. Caricare la batteria se è debole. Per ulteriori informazioni, vedere *Per caricare la batteria alla pagina 209*.

# Manutenzione

## Introduzione



**AVVERTENZA:** Prima di svolgere la manutenzione, leggere e comprendere il capitolo relativo alla sicurezza.

Per tutti gli interventi di assistenza e riparazione sul prodotto, è necessaria una formazione specifica. La nostra azienda garantisce la disponibilità di personale qualificato per le riparazioni e l'assistenza. Se non avete acquistato il prodotto presso un rivenditore dotato di officina, informatevi sull'ubicazione della più vicina officina autorizzata.

Per ulteriori informazioni dettagliate, fare riferimento a [www.husqvarna.com](http://www.husqvarna.com).

Per gli interventi di manutenzione identificati con \*, fare riferimento a *Dispositivi di sicurezza sul prodotto alla pagina 206*.

## Programma di manutenzione

Gli intervalli di manutenzione sono calcolati sulla base di un uso quotidiano del prodotto. Gli intervalli cambiano se il prodotto non viene usato quotidianamente.

S 138i	A ciascuno utilizzo	Una volta al mese	Ogni stagione
Effettuare un'ispezione generale.	X		
Pulire il prodotto.	X		
Controllare l'arieggiatore.	X		
Assicurarsi che i dispositivi di sicurezza del prodotto non siano difettosi. *	X		
Esaminare i coperchi. *	X		
Controllare la leva del freno motore. *	X		
Eseguire un controllo dell'inibitore di avviamento. *	X		
Accertarsi che il pulsante ON/OFF funzioni correttamente e non presenti guasti.	X		
Controllare la presenza di eventuali danni alla batteria.	X		
Effettuare un controllo dello stato di carica della batteria.	X		
Accertarsi che i pulsanti di rilascio sulla batteria funzionino correttamente e che tengano la batteria bloccata all'interno del prodotto.	X		
Controllare che il caricabatterie non sia danneggiato e che funzioni correttamente.		X	
Controllare i collegamenti tra la batteria e il prodotto. Controllare anche il collegamento tra la batteria e il caricabatterie.			X

### Per effettuare un'ispezione generale

- Controllare che tutti i dadi e le viti del prodotto siano ben serrati.
- Accertarsi che i cavi del prodotto non sono in una posizione in cui possono danneggiarsi.

### Per pulire il prodotto

- Pulire le parti in plastica con un panno pulito e asciutto.
- Non utilizzare acqua per pulire il prodotto. L'acqua può penetrare nella batteria o nel motore e causare un corto circuito o danni al prodotto.
- Non utilizzare una lancia ad alta pressione per pulire il prodotto.
- Non dirigere getti d'acqua sul motore.
- Utilizzare una spazzola per rimuovere foglie, erba e sporcizia.

### Per pulire la batteria e il caricabatterie



**AVVERTENZA:** Non pulire la batteria o il caricabatterie con acqua.



**AVVERTENZA:** Non utilizzare sostanze chimiche per pulire la batteria.

- Accertarsi che la batteria e il caricabatterie siano puliti e asciutti prima di inserire la batteria nel caricabatterie.
- Pulire i terminali della batteria con aria compressa o con un panno morbido e asciutto.
- Pulire le superfici della batteria e del caricabatterie con un panno morbido e asciutto.

## Controllo dell'arieggiatore



**AVVERTENZA:** per evitare l'avviamento accidentale, ruotare la chiave di sicurezza su 0, rimuovere la batteria e attendere almeno 5 secondi.



**AVVERTENZA:** Indossare guanti protettivi quando si esegue la manutenzione dell'arieggiatore. I rebbi sull'arieggiatore sono molto affilati e ci si può ferire facilmente.

- Controllare l'arieggiatore per individuare danni o crepe. Sostituire sempre l'arieggiatore danneggiato.

## Sostituzione dell'arieggiatore



**AVVERTENZA:** Indossare guanti protettivi quando si esegue la manutenzione dell'arieggiatore. L'arieggiatore è molto affilato e ci si può ferire facilmente

1. Posizionare il prodotto sul lato destro. (Fig. 40)
2. Rimuovere le 2 viti (A) ed estrarre il coperchio dell'arieggiatore (B). Spingere l'arieggiatore (C) verso l'alto e verso l'esterno per rimuoverlo. (Fig. 41)
3. Spingere il nuovo arieggiatore (C) nella scanalatura e nel foro. Fissare il coperchio dell'arieggiatore (B) con le 2 viti (A) (Fig. 42)

## Ricerca guasti

### Batteria

LED della batteria	Causa	Soluzione
Il LED verde lampeggia.	La tensione della batteria è bassa.	Caricare la batteria. Fare riferimento a <i>Per caricare la batteria alla pagina 209.</i>
Il LED di errore della batteria lampeggia.	La batteria è troppo fredda o troppo calda per essere usata.	Lasciare raffreddare la batteria o spostarla all'interno per riscaldarla. Quando la batteria ha la temperatura corretta, può essere usata di nuovo. Utilizzare la batteria nel prodotto esclusivamente quando la temperatura ambiente è compresa tra 5 °C e -40 °C.
	La batteria è scarica.	Caricare la batteria. Fare riferimento a <i>Per caricare la batteria alla pagina 209.</i>
Il LED di errore della batteria si accende.	Si è verificato un errore permanente della batteria.	Contattare il rivenditore con servizio di assistenza Husqvarna.

### Caricabatterie

LED del caricabatterie	Causa	Soluzione
La spia LED di errore lampeggia o si accende.	Il caricabatterie è troppo freddo o troppo caldo per essere usato.	Lasciare raffreddare il caricabatterie o spostarlo all'interno per riscaldarlo. Quando il caricabatterie raggiunge la temperatura corretta, può essere usato di nuovo. Utilizzare il caricabatterie quando la temperatura ambiente è compresa tra 5 °C e -40 °C.
	Altri errori.	Contattare il rivenditore con servizio di assistenza Husqvarna.

## Pannello di controllo

Errore	Codice di errore (Numero di lampeggi)	Possibili guasti	Possibile soluzione
Il LED di errore lampeggia	3	Il motore è sovraccarico.	Diminuire la profondità di lavoro. Fare riferimento a <i>Impostazione della profondità di lavoro alla pagina 209</i> . Se il LED di errore continua a lampeggiare, l'arieggiatore è bloccato. Per evitare l'avviamento accidentale, ruotare la chiave di sicurezza su 0, rimuovere la batteria e attendere almeno 5 secondi. Assicurarsi che l'arieggiatore si muova liberamente. Se il problema persiste, contattare un'officina autorizzata.
	5	La velocità del motore diminuisce eccessivamente e il motore si arresta.	
	9	Il comando del motore è troppo caldo.	Arrestare il motore e attendere che si raffreddi.
	7	Errore batteria o nessun segnale dalla batteria.	Inserire correttamente la batteria nel prodotto e controllare il connettore della batteria. Se il LED di errore della batteria lampeggia, fare riferimento a <i>Batteria alla pagina 212</i> .
Il prodotto si arresta	6	La batteria è scarica.	Caricare la batteria. Fare riferimento a <i>Per caricare la batteria alla pagina 209</i> .
	Nessun lampeggio.	Guasto del connettore della batteria.	Esaminare il connettore della batteria.
Altri errori	Se si verificano altri errori, ruotare la chiave di sicurezza su 0, rimuovere la batteria e rivolgersi a un'officina autorizzata.		

## Trasporto, stoccaggio e smaltimento

### Introduzione



**AVVERTENZA:** Per evitare l'avviamento accidentale durante il trasporto e la conservazione, ruotare la chiave di sicurezza su 0, rimuovere la batteria e attendere almeno 5 secondi.

- Rimuovere sempre la batteria per il trasporto.
- Applicare del nastro sui connettori della batteria e assicurarsi che la batteria rimanga fissa in posizione durante il trasporto.
- Fissare il prodotto durante il trasporto.

### Stoccaggio

### Trasporto

- I requisiti di legge sulle merci pericolose si applicano alle batterie agli ioni di litio incluse.
- Rispettare i requisiti speciali riportati sulla confezione e sulle etichette per il trasporto commerciale.
- Durante la preparazione al trasporto del prodotto, attenersi alle normative relative ai materiali pericolosi. Possono essere in vigore alcune normative locali.

- Rimuovere sempre la batteria durante il rimessaggio.
- Attendere che il prodotto si raffreddi prima del rimessaggio.
- Per evitare incidenti, assicurarsi che la batteria non sia collegata al prodotto una volta riposto.
- Conservare il caricabatterie in un ambiente chiuso e asciutto.
- Conservare la batteria e il caricabatterie in un luogo asciutto, privo di umidità e protetto dal gelo.

- Scollegare la batteria dal caricabatterie durante lo stoccaggio.
- Non conservare la batteria in aree elettricamente statiche. Non conservare mai la batteria in una scatola di metallo.
- Conservare il prodotto a una temperatura ambiente compresa tra -10 °C e 40 °C.
- Conservare la batteria a una temperatura compresa tra 5 °C e 25 °C e non esposta alla luce del sole.
- Conservare il caricabatterie a una temperatura compresa tra 5 °C e 45 °C e non esposto alla luce del sole.
- Accertarsi che la batteria sia carica al 30% - 50% prima di riportarla per lunghi periodi.
- Conservare il prodotto, la batteria e il caricabatterie in un luogo chiuso a chiave, fuori dalla portata di bambini e di persone non autorizzate.
- Pulire il prodotto e assicurarsi che il raccogliherba sia vuoto.
- Eseguire gli interventi di manutenzione riportati nel presente manuale operatore. Fare riferimento a *Programma di manutenzione alla pagina 211*.

- Eseguire una manutenzione completa prima di un lungo periodo di rimessaggio.

## Smaltimento

I simboli sul prodotto o sull'imballaggio indicano che il presente prodotto non può essere trattato come rifiuto domestico. Deve essere portato presso un centro di raccolta specializzato nel recupero di apparecchiature elettriche ed elettroniche.

Trattando questo prodotto correttamente, si contribuisce a contrastare il potenziale impatto negativo sull'ambiente e sulle persone che può altrimenti sortire da una gestione impropria del prodotto come rifiuto. Per informazioni più dettagliate sul riciclaggio di questo prodotto, contattare l'autorità municipale, il servizio rifiuti domestici o il punto vendita in cui è stato acquistato.

(Fig. 43)

---

## Dati tecnici

---

### Dati tecnici

<b>S 138i</b>	
<b>Motore</b>	
Tipo di motore	BLDC (senza spazzole) 36V
Velocità gruppo – SavE, giri/min	3000
Velocità gruppo – Nominale, giri/min	3200
Potenza del motore - max kW	1,28
Potenza del motore - Nominale, kW	0,9
<b>Peso</b>	
Peso senza sacchetto (batteria esclusa), kg	19,5
Peso con sacchetto (incl. 1 x BLi30), kg	23
<b>Batteria</b>	
Tipo di batteria	Serie batteria Husqvarna
<b>Prestazione della batteria</b>	
Prestazione della batteria, min. (free run) con modalità SavE attivata, con una batteria Husqvarna da 7,5 Ah (BLi30).	195
Prestazione della batteria, min. (free run) con modalità standard attivata, con una batteria Husqvarna da 7,5 Ah (BLi30).	175

<b>S 138i</b>	
<b>Emissioni di rumore</b> <sup>37</sup>	
Livello di potenza acustica, misurato dB(A)	89
Livello acustico, garantito L <sub>WA</sub> dB(A)	91
<b>Livelli di rumorosità</b> <sup>38</sup>	
Livello di pressione sonora all'orecchio dell'operatore, dB (A)	75
<b>Livelli di vibrazioni</b> <sup>39</sup>	
Impugnatura, m/s <sup>2</sup>	5,5
<b>Funzionamento</b>	
Profondità di lavoro max/min, mm	-8/+5
Larghezza di lavoro, cm	37,5
Gruppo rebbi della lama	5973510-01
Gruppo denti a molla	5973509-01
Capacità del raccogliherba, litri	45

Batterie approvate	Tipo	Capacità batteria, Ah	Tensione, V	Peso, lb/kg
BLi30	Ioni di litio	7,5	36	4,2/1,9
40-B140	Ioni di litio	4,0	36	2,6/1,2

Caricabatteria omologati per le batterie specificate, BLi	Tensione di entrata, V	Frequenza, Hz	Potenza, W
40-C80	100-240	50-60	68,8
QC250	220-240	50	250

<sup>37</sup> Emissioni di rumore nell'ambiente misurate come potenza sonora (L<sub>WA</sub>) in base alla direttiva CE 2000/14/CE.

<sup>38</sup> I dati riportati per il livello di pressione acustica presentano un fattore di incertezza (K) di 1,5 dB (A).

<sup>39</sup> I dati riportati per il livello di vibrazione presentano un fattore di incertezza di 1,5 m/s<sup>2</sup>. Il valore totale dichiarato relativo alle vibrazioni è stato misurato in conformità allo standard EN 62841-4-7 Allegato I e può essere utilizzato per confrontare le macchine e in una valutazione preliminare dell'esposizione.

---

## Dichiarazione di conformità

---



## Dichiarazione di conformità UE

Husqvarna AB, SE-561 82 Huskvarna, Svezia, tel.:  
+46-36-146500, dichiara sotto la propria esclusiva  
responsabilità che il prodotto indicato:

<b>Descrizione</b>	Scarificatore
<b>Marchio</b>	Husqvarna
<b>Tipo/Modello</b>	S 138i
<b>Identificazione</b>	Numeri di serie a partire dal 2023

È pienamente conforme alle seguenti norme e direttive  
UE:

<b>Direttiva/norma</b>	<b>Descrizione</b>
2011/65/UE	"sulle restrizioni dell'uso di determinate sostanze pericolose nelle apparecchiature elettriche ed elettroniche"
2006/42/CE	"sulle macchine"
2014/30/EU	"sulla compatibilità elettromagnetica"
2000/14/CE	"sull'emissione di rumore nell'ambiente"

e che sono applicati gli standard e/o le specifiche tecniche seguenti: EN 62841-1:2015/A11:2022, EN IEC 62841-4-7:2022/A11:2022, EN ISO 12100:2010, EN 55014-1:2017/A11:2020, EN 55014-2:2015, EN IEC 63000:2018.

Per informazioni sulle emissioni acustiche, fare riferimento a *Dati tecnici alla pagina 214*.

Huskvarna, 2023-12-30



Claes Losdal

Responsabile sviluppo/Prodotti da giardino

Husqvarna AB

Responsabile della documentazione tecnica



---

# TURINYS

---

Įvadas.....	218	Gedimai ir jų šalinimas.....	228
Sauga.....	219	Transportavimas, saugojimas ir utilizavimas.....	229
Surinkimas.....	224	Techniniai duomenys.....	230
Naudojimas.....	224	Atitikties deklaracija.....	232
Techninė priežiūra.....	226		

---

## Įvadas

---

### Gaminio aprašas

Šis gaminys yra pėsčiojo valdomas elektrinis skarifikatorius. Gaminys nuo vejos pašalina veltinį ir išpureną dirvožemį, kad į veją galėtų patekti oras ir vanduo. Veltinis surenkamas į žolės rinktuvą arba išmetamas į veją. Gaminys naudojamas su 2 tipų skarifikatoriaus įranga.

### Skarifikatoriaus įranga

Informacijos, kaip keisti skarifikatoriaus įrangą, žr. *Norėdami pakeisti skarifikatoriaus įrangą psl. 227.*

### Skarifikavimo peiliai

Skarifikavimo peiliai pašalina veltinį ir vertikaliai nupjauna žolės šaknis. Naudokite skarifikavimo peilius

### Gaminio apžvalga

(Pav. 1)

1. Variklio stabdymo rankena
2. Viršutinė rankena
3. Valdymo skydelis
4. Apsauga nuo netyčinio paleidimo
5. Apatinė rankena
6. Žolės rinktuvas
7. Galinis gaubtas
8. Skarifikatoriaus dangtis
9. Akumulatoriaus gaubtas
10. Darbinio gylio reguliavimo rankenėlė
11. Apsauginis raktelis
12. ĮJUNGIMO / IŠJUNGIMO indikatorius šviesos diodas
13. Mygtukas ON/OFF (įjungti / išjungti)
14. „Save“ mygtukas
15. „Save“ indikatorius šviesos diodas
16. Akumulatoriaus įkrovos indikatorius ir akumulatoriaus mygtukas
17. Spyruoklinės akėčios
18. Akumulatorius (priedas)
19. Akumulatoriaus įkroviklis (priedas)
20. Šešiabriaunis raktas
21. Naudojimo instrukcija

šlaituose, terasose ir esant molingiems dirvožemiams. Naudojant skarifikavimo peilius vanduo gali susigerti į veją ir nesikaupia ant paviršiaus

(Pav. 17)

### Spyruoklinės akėčios

Spyruoklinės akėčios atsargiai pašalina negyvą žolę ir veltinį nuo vejos, nepažeisdamos žolės šaknų.

(Pav. 18)

### Naudojimas

Naudokite produktą pašalinti veltinui ir samanoms bei parenti dirvožemiiu privačiuose sodose. Nenaudokite gaminio kitiems darbams.

### Simboliai ant gaminio

- (Pav. 2)      ĮSPĖJIMAS
- (Pav. 3)      Perskaitykite instrukcijas.
- (Pav. 4)      ĮSPĖJIMAS – saugokitės išsviestų objektų.
- (Pav. 5)      Pašaliniai asmenys turi laikytis atokiau.
- (Pav. 6)      ĮSPĖJIMAS – saugokite rankas bei kojas ir neikiškite jų į skarifikavimo peilius.
- (Pav. 7)      Prieš atlikdami techninę apžiūrą atjunkite akumuliatorių.
- (Pav. 8)      Nepalikite lietuje.
- (Pav. 9)      Šis gaminys yra apsaugotas nuo vandens purslų.
- (Pav. 10)      Šis įrenginys atitinka jam taikomas EB direktyvas.
- (Pav. 11)      Šis gaminys atitinka taikytinų JK reglamentų nuostatas.

(Pav. 12) Triukšmo emisijos į aplinką ženklinimas atitinka ES ir Jungtinės Karalystės direktyvas bei reglamentus ir Naujojo Pietų Velso įstatymą „2017 m. aplinkos apsaugos (triukšmo kontrolės) reglamentas“. Gaminio garantuotasis garso galios lygis nurodytas *Techniniai duomenys psl. 230* ir etiketėje.

(Pav. 15) Nuvežkite šį gaminį į elektros ir elektronikos įrenginių perdėbimo punktą. (galioja tik Europoje)

(Pav. 16) Pradėkite procedūrą: nuspauskite [JUNGIMO / IŠ-JUNGIMO] mygtuką, atlaisvinkite apsaugą nuo netyčio paleidimo, nuspauskite variklio stabdymo rankeną.

(Pav. 13) Norėdami sustabdyti, atleiskite variklio stabdymo rankeną.

(Pav. 14) Nuskaitomas kodas.

**Pasižymėkite:** Kiti ant gaminio pateikti simboliai (etiketės) skirti kai kurių rinkų sertifikavimo reikalavimams.

## Produkto pažeidimai

Mes neatsakome už mūsų gaminio sugadinimą, jei:

- gaminys netinkamai suremontuotas;
- gaminys suremontuotas naudojant kito gamintojo arba gamintojo nepatvirtintas dalis;
- gaminys turi kito gamintojo arba gamintojo nepatvirtintą priedą;
- gaminys suremontuotas ne patvirtintame techninės priežiūros centre arba jį suremontavo ne patvirtintas atstovas.

## Sauga

### Saugos ženklų reikšmės

[spėjimai, perspėjimai ir pastabos yra skirtos atkreipti dėmesį į ypač svarbias vadovo dalis.



**PERSPĖJIMAS:** Naudojamas, kai naudotojui ar šalia esantiems asmenims kyla mirtino arba sunkaus sužeidimo pavojus arba, jei nesilaikoma vadove pateiktų nurodymų.



**PASTABA:** Naudojamas, kai kyla pavojus sugadinti gaminį, kitas medžiagas arba padaryti žalą aplinkai, jei nesilaikoma vadove pateiktų nurodymų.

**Pasižymėkite:** Naudojamas papildomai informacijai apie konkrečią situaciją pateikti.

### Bendrieji gaminio saugos įspėjimai



**PERSPĖJIMAS:** **Perskaitykite visus saugos įspėjimus, instrukcijas, iliustracijas ir specifikacijas, pateikiamas su šiuo gaminiumi.** Nesilaikydami toliau nurodytų instrukcijų galite sukelti gaisrą, gauti elektros smūgį ir (ar) rimtai susižeisti.

**Saugokite visus įspėjimus ir instrukcijas, nes jų gali prireikti vėliau.** Terminas „gaminys“ įspėjimuose reiškia iš elektros tinklo maitinamą (laidinį) gaminį arba akumuliatoriumi maitinamą (belaidį) gaminį.

### Sauga darbo vietoje

- **Darbo vieta turi būti švari ir gerai apšviesta.** Netvarkingose arba tamsiose darbo vietose dažnai įvyksta nelaimės.
- **Nenaudokite gaminio sprogiuose aplinkose, pavyzdžiui, ten, kur yra degių skysčių, dujų arba dulkių.** Gaminys kibirkščiuoja, todėl gali užsiliepsnoti dulkės arba garai.
- **Naudodami gaminį, neleiskite artai būti vaikams ir pašaliniais asmenims.** Išsiblaškę galite prarasti įrenginio kontrolę.

### Asmens sauga

- **Naudodami gaminį būkite budrūs, stebėkite savo veiksmus ir vadovaukitės sveiku protu. Nenaudokite gaminio, jei esate pavargę, apsvaigę nuo narkotikų, alkoholio arba vaistų.** Dirbant gaminio netgi akimirksnis neatidumo gali tapti sunkaus sužeidimo priežastimi.
- **Naudokite asmenines apsaugines priemones. Visuomet užsidėkite akių apsaugos priemones.** Dėl atitinkamomis sąlygomis naudojamų apsauginių priemonių, pavyzdžiui, respiratorių, neslystančių apsauginių batų, šalmo arba apsauginių ausinių, sumažėja sužeidimų rizika.
- **Saugokitės atsitiktinio įsijungimo. Prieš prijungdami gaminį prie maitinimo šaltinio ir (arba) akumuliatorių bloko, paimdami arba nešdami įrenginį, įsitikinkite, kad jungiklis yra išjungimo padėtyje.** Jei nešite gaminį laikydami pirštą ant jungiklio ar prijungsite jį prie maitinimo šaltinio, kai jungiklis yra įjungimo padėtyje, gali įvykti nelaimingas atsitikimas.
- **Prieš įjungdami gaminį, pašalinkite iš jo visus reguliavimo raktus ar veržliarakčius.** Besisukančiose

gaminio dalyse paliktas veržliaraktis arba raktas gali sužeisti.

- **Per plačiai neužsimokite. Visada tvirtai stovėkite ant kojų ir laikykite pusiausvyrą.** Tokiu būdu geriau kontroliuosite gaminį netikėtose situacijose.
- **Apsirenkite tinkamai. Niekada nedėvėkite palaidų drabužių ar papuošalų. Nelaikykite plaukų ir drabužių arti judančių dalių.** Palaidi drabužiai, papuošalai arba ilgi plaukai gali įkliūti į judančias dalis.
- **Jeigu naudojate įtaisus, skirtus dulkių surinkimo įrenginiams prijungti, įsitinkinkite, kad jie tinkamai prijungti ir naudojami.** Naudojant dulkių surinkimo įrenginius, sumažėja su dulkelėmis susijusių pavojų rizika.
- **Igdudę naudotis gaminiais ir prie jų pripratę nenustokite paisyti gaminų saugos principų.** Dėl neatsargių veiksmų galite sunkiai susižeisti vos per akimirka.

## Gaminio naudojimas ir priežiūra

- **Dirbdami su gaminiu nenaudokite jėgos. Naudokite savo darbui tinkamą gaminį.** Naudojant numatytam tikslui skirtą gaminį, darbas bus atliktas saugiau ir greičiau.
- **Jeigu paspaudus jungiklį gaminys neišjungia arba neišsijungia, nenaudokite jo.** Gaminys, kurio nepavyksta tinkamai valdyti jungikliu, kelia pavojų ir turi būti pataisytas.
- **Prieš reguliuodami gaminį, keisdami priedus arba padėdami saugoti gaminius, ištraukite maitinimo laido kištuką iš elektros maitinimo šaltinio ir (arba) išimkite akumuliatorių bloką iš gaminio, jei tai įmanoma.** Laikantis šių prevencinių saugos priemonių, sumažėja netyčinio gaminio įjungimo rizika.
- **Nenaudojamus gaminius laikykite vaikams nepasiekiamoje vietoje ir neleiskite naudoti gaminio asmenims, kurie nemoka juo naudotis arba nėra susipažinę su šiomis instrukcijomis.** Nekvalifikuotų naudotojų rankose gaminiai yra pavojingi.
- **Prižiūrėkite gaminį ir jį priedus. Patikrinkite, ar sureguliuotos ir nestringa judančios dalys, ar nėra sulūžusių dalių ir kitų veiksnų, kurie gali daryti įtaką gaminio veikimui.** Jei gaminys sugedęs, prieš naudodami jį sutaisykite. Daug nelaimingų atsitikimų įvyksta dėl netinkamai prižiūrimų gaminų.
- **Pjovimo įrankiai turi būti pagalasti ir švarūs.** Tinkamai prižiūrėti pjovimo įrankiai su aštriomis pjovimo briaunomis rečiau užstringa ir juos paprasčiau valdyti.
- **Gaminį, priedus, antgalius ir pan. naudokite taip, kaip nurodyta šiose instrukcijose, atsižvelgdami į darbo sąlygas ir atliekamą darbą.** Naudodami gaminį ne pagal paskirtį, galite sukelti pavojų.
- **Rankenos ir laikomieji paviršiai visuomet turi būti sausi ir švarūs (neištepti alyva ar tepalais).** Slidžios rankenos ir laikymosi paviršiai neleidžia saugiai valdyti ir kontroliuoti gaminio netikėtose situacijose.

## Akumuliatorių įrankių naudojimas ir priežiūra

- **Akumuliatorius kraukite tik gamintojo nurodytu įkrovikliu.** Įkroviklis, tinkamas vienam akumuliatorių blokui, gali sukelti gaisro pavojų, naudojamas kitam akumuliatorių blokui įkrauti.
- **Gaminius naudokite tik su jiems skirtais akumuliatorių blokais.** Naudojant bet kokį kitą akumuliatorių bloką kyla sužeidimo ir gaisro pavojus.
- **Nenaudojamą akumuliatorių bloką laikykite toliau nuo metalinių daiktų, galinčių sukurti jungtį tarp gnybtų, pavyzdžiui savaržėlių, monetų, raktų, vinių, varžtų ir kitų smulkių metalinių daiktų.** Trumpai sujungus akumuliatoriaus gnybtus gali kilti gaisras arba galite nudegti.
- **Esant nepalankioms sąlygoms, iš akumuliatoriaus gali imti tekėti skystis. Nelieskite jo. Ant odos netyčia patekusį skystį nuplaukite vandeniui. Skysčių patekus į akis kreipkitės medicininės pagalbos.** Iš akumuliatoriaus ištekėjęs skystis gali sudirginti arba nudeginti.
- **Nenaudokite pažeisto arba modifikuoto akumuliatorių bloko arba įrankio.** Naudojant pažeistus ar modifikuotus akumuliatorius, jų veikimas gali būti neprognozuojamas ir jie gali sukelti gaisrą, sprogimą ar sužaloti.
- **Saugokite akumuliatorių bloką arba įrankį nuo ugnies ir didelės temperatūros.** Sąlytis su ugnimi arba 130 °C (265°F) temperatūra gali sukelti sprogimą.
- **Laikytės visų įkrovimo nurodymų ir neįkraukite akumuliatorių bloko ar įrankio, esant nurodytame diapazone neišsitenkančiai temperatūrai.** Netinkamai įkraunant arba esant nurodytame diapazone neišsitenkančiai temperatūrai gali būti pažeistas akumuliatorius ir padidėti gaisro tikimybė.

## Techninė priežiūra

- **Gaminio techninę priežiūrą privalo atlikti kvalifikuotas remonto specialistas, naudodamas tik tokias pačias pakaitines dalis.** Tokiu būdu bus užtikrinta gaminio sauga.
- **Niekada neatlikite pažeistų akumuliatorių blokų techninės priežiūros.** Akumuliatorių blokų techninę priežiūrą gali atlikti tik gamintojas arba įgalioti paslaugų teikėjai.

## Gaminio saugos įspėjimai

- **Nenaudokite gaminio blogomis oro sąlygomis, ypač jei yra žaibo pavojus.** Taip sumažinsite pavojų būti nutrenktiems žaibo.
- **Kruopščiai patikrinkite plotą, kuriame bus naudojamas gaminys, ar nėra laukinių gyvūnų.** Veikiantis gaminys gali juos sužeisti.
- **Nuodugnai patikrinkite vietą, kur bus naudojamas gaminys, ir pašalinkite akmenis, pagalius, laidus, kaulus ir kitus pašalinius objektus.** Išsiviedžiami daiktai gali sužaloti.
- **Prieš naudodami gaminį visada apžiūrėkite skarifikavimo peilius ir skarifikavimo peilių agregatą ir įsitinkinkite, ar jie nepažeisti ir nenusidėvėję.** Dėl

- susidėvėjusių ar apgadintų dalių didėja sužeidimo pavojus.
- **Nuolat tikrinkite, ar žolės rinktuvas nesusidėvėjo ir nėra sugadintas.** Susidėvėjęs arba pažeistas žolės rinktuvas gali didinti sužeidimų pavojų.
  - **Apsaugos turi būti savo vietoje. Apsaugos turi atlikti savo funkciją ir būti tinkamai sumontuotos.** Atsilaisvinusi, pažeista arba netinkamai veikianti apsauga gali sužaloti dirbantįjį.
  - **Visos aušinimo oro tiekimo angos turi būti švarios.** Užsikimšusios oro tiekimo angos ir nešvarumai gali sukelti perkaitimo arba gaisro pavojų.
  - **Dirbdami su gaminiu visada avėkite neslystančius ir apsauginius batus. Nenaudokite gaminio basi arba avėdami atvirą avalynę.** Tokiu būdu sumažinsite pavojų susižeisti kojas dėl sąlyčio su judančiais skarifikavimo peiliais.
  - **Dirbdami su gaminiu visada mūvėkite ilgus kelnes.** Dirbant atidengta oda, didėja tikimybė susižeisti dėl išsviedžiamų objektų.
  - **Nenaudokite gaminio drėgnoje žolėje. Eikite, niekada nebėkite.** Tokiu būdu sumažės pavojus paslysti ir nugriūti, tad išvengsite sužalojimų.
  - **Nenaudokite gaminio ant pėmelęg stačių šlaitų.** Tokiu būdu sumažės pavojus nesuvaldyti įrenginio, paslysti ir nugriūti, tad išvengsite sužalojimų.
  - **Dirbdami šlaituose visada įsitinkinkite, kad tvirtai stovite, šlaitu visada klinkite horizontaliai, niekada nedirbkite judėdami aukštyn ir žemyn, būkite ypač atsargūs keisdami judėjimo kryptį.** Tokiu būdu sumažės pavojus nesuvaldyti įrenginio, paslysti ir nugriūti, tad išvengsite sužalojimų.
  - **Apręždami arba traukdami gaminį į save, būkite itin atsargūs. Visada stebėkite aplinką.** Taip sumažėja pavojus dirbant apvirsti.
  - **Gaminį laikykite tik už izoliuotų paviršių, nes eksploatavimo metu skarifikavimo peiliai gali pažeisti paslėptus laidus arba paties gaminio laidą.** Skarifikavimo peiliui palietus laidą, kuriou teka srovė, ji gali nutekėti į metalines gaminio dalis operatorius gali patirti elektros smūgį.
  - **Nelieskite skarifikavimo peilių ir kitų pavojingų judančių dalių, kol jos vis dar juda.** Taip sumažės pavojus susižaloti dėl judančių dalių.
  - **Valydami užstrigusią medžiagą arba valydami gaminį, įsitinkinkite, kad visi mašininiai jungikliai išjungti ir akumuliatorių blokas atjungtas.** Gaminiumi pradėjus netikėtai veikti, galima sunkiai susižaloti.

## Bendrieji saugos nurodymai



**PERSPĖJIMAS:** Prieš naudodami gaminį, perskaitykite toliau esančius įspėjimus.

- Netinkamai arba neatidžiai naudojant šis gaminys yra pavojingas. Jei nesilaikysite saugos nurodymų, kyla sužeidimų arba mirties pavojus.

- Šis gaminys veikdamas sukuria elektromagnetinį lauką. Tam tikromis aplinkybėmis šis laukas gali trikdyti aktyviųjų arba pasyviųjų medicininių implantų veiklą. Kad sumažėtų sunkių ar mirtinų sužeidimų pavojus, medicininių implantų turintiems asmenims rekomenduojame prieš naudojant šį gaminį pasitarti su gydytoju ir implantų gamintoju.
- Visada elkitės atsargiai ir vadovaukitės sveiku protu. Jei tiksliai nežinote, kaip naudoti gaminį konkrečioje situacijoje, sustabdykite darbą ir prieš tęsdami darbą pasitarkite su „Husqvarna“ pardavimo atstovu.
- Atsiminkite, kad už nelaimingus atsitikimus, kurių metu nukentęs asmenys ar turtas, bus atsakingas naudotojas.
- Rūpinkitės gaminio švara. Įsitinkinkite, kad galite aiškiai perskaityti ženklus ir lipdukus.
- Neleiskite vaikams bei suaugusiems, nesuapipažinusiems su instrukcijomis, naudotis įrenginiu. Gali būti, kad pagal vietos teisės aktus ribojamas naudotojo amžius.
- Visada prižiūrėkite gaminį naudojančią fizinę arba protinę negalią turintį asmenį. Būтина nuolatinė atsakingo suaugusiojo priežiūra.
- Nedirbkite su gaminiu, jeigu esate pavargę, sergate arba esate apsvaigę alkoholio, narkotinių medžiagų ar vaistų. Tai neigiamai veikia jūsų regėjimą, nuovoką ar koordinaciją.
- Nenaudokite gaminio, jei jis yra pažeistas arba neveikia tinkamai.
- Nekeiskite gaminio ir nenaudokite jo, jei jį galėjo pakeisti kiti.

## Darbo sauga



**PERSPĖJIMAS:** Prieš naudodami gaminį, perskaitykite toliau esančius įspėjimus.

- Šį gaminį naudokite tik šalinti veltinui ir samanoms, esančioms žolės vejose. Neleidžiama jo naudoti kitoms užduotims atlikti.
- Naudokite asmenines apsaugines priemones. Žr. *Asmeninės apsauginės priemonės psl. 222*.
- Įsitinkinkite, kad žinote, kaip greitai sustabdyti variklį nelaimės atveju.
- Nenaudokite gaminio lietuje arba drėgnoje aplinkoje. Dėl to padidėja elektros smūgio pavojus.
- Gaminį naudokite tik tinkamai uždėję skarifikavimo peilius ir visus dangčius. Netinkamai uždėti skarifikavimo peiliai gali atsilaisvinti ir sužeisti.
- Pasirūpinkite, kad skarifikavimo peiliai neatsitrenktų į tokius objektus, kaip akmenys ir šaknys. Tai gali sugadinti skarifikavimo peilius ir sulenkti variklio veleną. Sulenkta ašis sukelia didelę vibraciją ir kyla didžiulis pavojus, kad skarifikavimo peiliai atsilaisvins.
- Jei skarifikavimo peiliai atsitrenkia į objektą arba gaminys ima vibruoti, nedelsdami jį sustabdykite. Išjunkite variklį, pasukite apsauginį raktelį į

padėtį „0“ ir išimkite akumuliatorių. Palaukite, kol judančios dalys sustos. Patikrinkite, ar gaminys neapgadintas. Priveržkite atsilaisvinusias dalis. Pataisykite pažeidimus ir pakeiskite pažeistas dalis. Taisyimo darbus leiskite atlikti įgaliotam techninės priežiūros atstovui.

- Rekomenduojame naudoti apsaugines ausines.

## Gaminio apsauginės priemonės



**PERSPĖJIMAS:** Prieš naudodami gaminį, perskaitykite toliau esančius įspėjimus.

- Nenaudokite gaminio su saugos įtaisais, kurie yra pažeisti arba tinkamai neveikia.
- Nepašalininkite ir nemodifikuokite gaminio apsauginių priemonių.
- Reguliariai tikrinkite apsaugines priemones. Jei saugos įtaisai pažeisti arba tinkamai neveikia, kreipkitės į Husqvarna techninės priežiūros atstovą.

## Norėdami atlikti dangčių patikrą

Skarifikatoriaus dangtis sumažina gaminio vibracijas ir sumažina skarifikatoriaus įrangos keliamą sužeidimų pavojų.

- Apžiūrėkite skarifikatoriaus dangtį, kad įsitikintumėte, jog nėra pažeidimų, pvz., įtrūkių.
- Apžiūrėkite galinį dangtį, kad įsitikintumėte, jog nėra pažeidimų, pvz., įtrūkių.

## Variklio stabdymo rankena

Variklio stabdymo rankena sustabdo variklį. Atleidus variklio stabdymo rankeną variklis sustoja.

Norėdami patikrinti variklio stabdį, paleiskite variklį ir atleiskite variklio stabdymo rankeną. Jei variklis nesustoja per 3 sekundes, paprašykite, kad įgaliotasis „Husqvarna“ techninės priežiūros atstovas sureguliuotų variklio stabdį.

(Pav. 19)

## Apsauginis raktelis

Apsauginis raktelis yra po akumuliatoriaus gaubtu. Apsauginis raktelis naudojamas prijungti akumuliatorių, kuris tiekia varikliui energiją.

- Norėdami patikrinti apsauginį raktelį, paleiskite ir sustabdykite variklį.
- Jei apsauginis raktelis veikia tinkamai, variklis paleidžiamas, tik kai pasukate raktelį į padėtį „1“.

(Pav. 20)

## Apsaugos nuo netyčinio užvedimo patikrinimas

Patikrinkite apsaugą nuo netyčinio užvedimo ir įsitikinkite, kad ji neleidžia užvesti variklio.

1. Pastumkite variklio stabdymo rankeną link gaminio rankenos. Apsauga nuo netyčinio užvedimo neleidžia judėti.
2. Išstumkite apsaugą nuo netyčinio užvedimo. (Pav. 21)
3. Atleiskite apsaugą nuo netyčinio užvedimo ir įsitikinkite, kad ji grįžta į savo pradinę padėtį.

## Naudojimo saugos instrukcijos

### Asmeninės apsauginės priemonės



**PERSPĖJIMAS:** Prieš naudodami gaminį, perskaitykite toliau esančius įspėjimus.

- Asmeninės apsauginės priemonės nepadės visiškai išvengti pavojaus susižeisti, tačiau nelaimingo atsitiktimo atveju mažiau nukentėsite. Leiskite prekybos atstovui padėti pasirinkti tinkamą įrangą.
- Avėkite patvarius, neslystančius batus. Neavėkite atvirų batų ir nebūkite basi.
- Dėvėkite storas, ilgas kelnes.
- Kai būtina, pvz., montuojant, apžiūrint arba valant pjovimo įrangą, užsimaukite apsaugines pirštines.

## Akumuliatorių naudojimo sauga



**PERSPĖJIMAS:** Prieš naudodami gaminį, perskaitykite toliau esančius įspėjimus.

- Kaip susijusių „Husqvarna“ gaminių maitinimo šaltinį naudokite tik „Husqvarna“ įkraunamus akumulatorius. Kad išvengtumėte sužeidimų, nenaudokite akumulatoriaus kaip kitų gaminių maitinimo šaltinio.
- Nenaudokite neįkraunamų akumuliatorių.
- Elektros smūgio pavojus. Nejunkite akumuliatoriaus gnybtų prie raktų, monetų, atsuktuvų ar kitų metalinių daiktų. Galite sukelti akumuliatoriaus trumpąjį jungimą.
- Nekiškite objektų į akumuliatoriaus oro angas.
- Saugokite akumuliatorių nuo tiesioginių saulės spindulių, karščio ar atviros ugnies. Akumuliatorius gali sprogti ir sukelti terminius ir (arba) cheminius nudegimus.
- Saugokite akumuliatorių nuo lietaus ir drėgmės.
- Saugokite akumuliatorių nuo mikrobangų ir aukšto slėgio.
- Nebandykite akumuliatoriaus išmontuoti ar sulaužyti.
- Jei iš akumuliatoriaus teka skystis, saugokite nuo jo kūną ir akis. Jei palietėte skystį, gerai nuplaukite šią vietą vandeniu ir kreipkitės pagalbos į medikus.
- Akumuliatorių gaminyje naudokite tik kai aplinkos temperatūra yra nuo 5 °C iki 40 °C.
- Akumuliatoriaus įkroviklį naudokite tik kai aplinkos temperatūra yra nuo 5 °C iki 40 °C.
- Jei akumuliatoriaus temperatūra yra didesnė nei 50 °C, jo nepavyks įkrauti.
- Nevalykite akumuliatoriaus ar įkroviklio vandeniu. Žr. *Akumuliatorius psl. 228*.
- Sugadinto akumuliatoriaus nenaudokite.
- Laikykite akumulatorius atokiau nuo metalinių daiktų, pavyzdžiui, vinių, monetų, juvelyrinių dirbinių.

### Įkroviklio sauga



**PERSPĖJIMAS:** Prieš naudodami gaminį, perskaitykite toliau esančius įspėjimus.

- „Husqvarna“ pakaitinams akumuliatoriams įkrauti naudokite tik QC akumuliatorių įkroviklius.
- Elektros smūgio ar trumpojo jungimo pavojus. Nekiškite objektų į įkroviklio oro angas. Nebandykite išmontuoti akumuliatoriaus įkroviklio. Neprijunkite įkroviklio gnybtų prie metalinių daiktų. Naudokite patvirtintą elektros tinklo laidą.
- Šis gaminyje veikdamas sukuria elektromagnetinį lauką. Tam tikromis aplinkybėmis šis laukas gali trikdyti aktyviųjų arba pasyviųjų medicininių implantų veiklą. Kad sumažėtų sunkaus ar netgi mirtino sužeidimo pavojus, medicininių implantų turintiems

asmenims rekomenduojame prieš naudojant šį gaminį pasitarti su gydytoju ir implanto gamintoju.

- Nuolat patikrinkite akumuliatoriaus įkroviklio maitinimo laidą, ar jis nepažeistas ir nėra įtrūkimų.
- Nekerkite akumuliatoriaus įkroviklio už maitinimo laidą. Norėdami atjungti akumuliatoriaus įkroviklį nuo elektros lizdo, traukite už kištuko. Netraukite už elektros laidą.
- Maitinimo laidą ir ilginamuosius kabelius saugokite nuo vandens, alyvos ir aštrių kampų. Būkite atidūs, kad kabelio neprispaustų durys, tvoros ar pan. Priešingu atveju įkrovikliu gali imti tekėti elektros srovė.
- Nevalykite akumuliatoriaus įkroviklio vandeniu.
- Akumuliatoriaus įkroviklį gali naudoti vaikai nuo 8 metų amžiaus ir kiti asmenys su ribotais fiziniais, jutiminiais ar protiniais sugebėjimais, arba stokojantys patirties ar žinių, jei yra prižiūrimi arba instruktuoti dėl saugaus akumuliatoriaus įkroviklio naudojimo ir supranta gresiančius pavojus. Vaikams su akumuliatoriaus įkrovikliu žaisti negalima. Be priežiūros vaikai neturėtų valyti prietaiso ir atlikti naudotojo priežiūros darbų.
- Akumuliatorių įkrovikliu nekraukite neįkraunamų akumuliatorių.
- Nenaudokite akumuliatoriaus įkroviklio šalia degių arba koroziją sukeliančių medžiagų. Neuždenkite įkroviklio. Pastebėję dūmus ar liepsną, ištraukite akumuliatoriaus įkroviklio kištuką.
- Nenaudokite sugadinto arba pažeisto akumuliatoriaus įkroviklio.
- Įkraukite akumuliatorių tik viduje, gerai vėdinamoje patalpoje, saugodami nuo saulės spindulių. Nekraukite akumuliatoriaus drėgnomis sąlygomis.

### Priežiūros saugos instrukcijos



**PERSPĖJIMAS:** Prieš naudodami gaminį, perskaitykite toliau esančius įspėjimus.

- Kad atliktumėte priežiūros darbus išvengtumėte netyčinio užvedimo, pasukite apsauginį raktelį į padėtį „0“ ir išimkite akumuliatorių. Palaukite bent 5 sekundes ir tik tada pradėkite priežiūros darbus.
- Kad gaminyje tarnautų ilgiau ir sumažėtų nelaimingų atsitikimų pavojus, tinkamai atlikite priežiūros darbus. Profesionalius remonto darbus leiskite atlikti patvirtintam techninės priežiūros atstovui. Jei reikia daugiau informacijos, kreipkitės į artimiausią techninės priežiūros atstovą.
- Atlikite tik naudojimo instrukcijoje nurodytus techninės priežiūros darbus. Sudėtingesnius darbus turi atlikti patvirtintas techninės priežiūros atstovas.
- Kad nesusižalotumėte, nepašalinkite ir nemonifikuokite apsauginių priemonių.
- Naudodami skarifikatoriaus įrangą, mūvėkite storas darbinės pirštines. Skarifikatoriaus įranga labai aštri ir gali lengvai įpjauti.

- Kad darbas vyktų saugiai ir efektyviai, pasirūpinkite, kad skarifikatoriaus įrangos peiliai būtų aštrūs ir švarūs.
- Leiskite savo techninės priežiūros atstovui reguliariai tikrinti gaminį ir atlikti reikiamus nustatymo ir remonto darbus.
- Pakeiskite pažeistas, sulūžusias arba susidėvėjusias dalis. Visada naudokite gamintojo originalias atsargines dalis. Naudojat kitas atsargines dalis,

galima pažeisti gaminį ir gali padidėti nelaimingų atsitikimų pavojus.

- Laikykitės priedų keitimo nurodymų. Naudokite tik gamintojo priedus.
- Kai nenaudojate, laikykite gaminį, akumuliatorių ir akumulatoriaus įkroviklį atskirai, sausoje užrakintoje patalpoje. Pasirūpinkite, kad vaikai ir pašaliniai asmenys negalėtų pasiekti gamtinio, akumuliatoriaus ar akumuliatoriaus įkroviklio.

## Surinkimas

### Įvadas



**PERSPĖJIMAS:** Prieš surinkdami gaminį perskaitykite skyrių apie saugą.



**PERSPĖJIMAS:** Kad surinkimo metu išvengtumėte netyčinio paleidimo, pasukite apsauginį raktelį į padėtį „0“, išimkite akumuliatorių ir palaukite mažiausiai 5 sekundes.

### Rankenos surinkimas

1. Atsukite apatinės rankenėles.
2. Stumkite rankenėles iki apatinio griovelii krašto kairėje ir dešinėje produkto pusėje. (Pav. 22)
3. Nustatykite rankenos aukštį į vieną iš dviejų aukščio padėčių.

4. Stumkite rankenėles į viršų link rankenos, kol jos sustos ir išgirsite spragtelėjimą. (Pav. 23)
5. Iki galo priveržkite rankenėles.

### Žolės rinktuvo montavimas

1. Įdėkite žolės rinktuvo rėmą į žolės krepšį taip, kad standi krepšio dalis būtų apačioje. Rėmo rankeną laikykite žolės krepšio viršuje. (Pav. 24)
2. Įstatykite žolės rinktuvo rėmo apatinę dalį į griovelį žolės rinktuvo apačioje.
3. Pritvirtinkite žolės krepšį prie žolės rinktuvo rėmo fiksatoriais. (Pav. 25)
4. Pakelkite galinį dangtį.
5. Perkelkite žolės rinktuvą į tinkamą padėtį. (Pav. 26)
6. Prikabinkite žolės rinktuvą prie viršutinio važiuoklės krašto. Įsitinkinkite, kad galinis dangtis užsandarina žolės rinktuvą, kad išvengtumėte nutekėjimo. (Pav. 27)

## Naudojimas

### Įvadas



**PERSPĖJIMAS:** Prieš naudodami gaminį perskaitykite ir supraskite saugos skyriaus informaciją.

### Husqvarna Connect

Husqvarna Connect yra nemokama programėlė, skirta mobiliesiems įrenginiams. Programėlė Husqvarna Connect suteikia Husqvarna gaminiui papildomas funkcijas:

- Papildoma informacija apie gaminį.
- Informacija ir patarimai apie gamtinio dalis ir priežiūrą.

### Norėdami pradėti naudoti Husqvarna Connect

1. Atsisiųskite „Husqvarna Connect“ programėlę į mobilųjį įrenginį.
2. Užsiregistruokite „Husqvarna Connect“ programėlėje.

3. Norėdami prisijungti ir užregistruoti gaminį, vykdykite „Husqvarna Connect“ programėlėje pateiktas instrukcijas.

### Norėdami nustatyti darbinį gylį



**PERSPĖJIMAS:** Nereguliuokite darbinio gylio, kai dirbate su gaminiu.

1. Norėdami padidinti darbinį gylį, paspauskite ir pasukite darbinio gylio reguliavimo rankenėlę prieš laikrodžio rodyklę.
2. Norėdami sumažinti darbinį gylį, paspauskite ir pasukite darbinio gylio reguliavimo rankenėlę laikrodžio rodyklės kryptimi. (Pav. 28)

### Akumuliatorius



**PERSPĖJIMAS:** Prieš naudodami akumuliatorių perskaitykite ir supraskite saugos skyriaus informaciją. Taip pat turite perskaityti ir suprasti akumuliatoriaus



bei akumuliatoriaus įkroviklio naudojimo instrukcijas.

Akumuliatorių ir akumuliatoriaus įkroviklį laikykite tinkamoje aplinkos temperatūroje.

	Aplinkos temperatūra
Akumuliatoriaus veikimas	5–40 °C
Akumuliatoriaus įkrovimas	5–40 °C

## Akumuliatoriaus būseną

Ekране rodoma likusi akumuliatoriaus talpa ir galimos akumuliatoriaus problemos. Paspauskite akumuliatoriaus indikatorius mygtuką, kad peržiūrėtumėte akumuliatoriaus įkrovos būseną. Akumuliatoriaus įspėjimo simbolis užsidega, kai įvyksta klaida. Žr. *Akumuliatorius psl. 228*.

(Pav. 29)

Šviesos diodai	Akumuliatoriaus būseną
Šviečia visi diodai	Visiškai įkrautas (76–100 %)
Šviečia 1, 2 ir 3 diodai	Akumuliatorius įkrautas 51–75 %.
Šviečia 1, 2 diodai	Akumuliatorius įkrautas 26–50 %.
Šviečia 1 diodas	Akumuliatorius įkrautas 6–25 %.
Mirksi 1 diodas	Akumuliatorius įkrautas 0–5 %

## Akumuliatoriaus įkrovimas

Prieš naudodami pirmą kartą, akumuliatorių įkraukite. Klientui pateikiamas akumuliatorius yra įkrautas tik 30 %.

**Pasižymėkite:** Akumuliatorių įkroviklį būtina prijungti prie parametru plokštelėje nurodytos įtampos ir dažnio maitinimo lizdo.

Akumuliatorius neįkraunamas, jei jo temperatūra aukštesnė nei 50 °C. Prieš pradėdamas įkrauti, akumuliatoriaus įkroviklis sumažina akumuliatoriaus temperatūrą.

1. Prijunkite vieną akumuliatoriaus įkroviklio maitinimo laido galą prie akumuliatoriaus įkroviklio lizdo.
2. Prijunkite kitą akumuliatoriaus įkroviklio maitinimo laido galą prie žeminto elektros lizdo. Akumuliatoriaus įkroviklio LED indikatorius vieną kartą sumirksės žaliai. (Pav. 30)

3. Akumuliatorių įstatykite į įkroviklį. Prijungus akumuliatorių prie akumuliatoriaus įkroviklio, įkroviklyje įsižiebia žalia lempuotė. (Pav. 31)
4. Įsižiebus visiems akumuliatoriaus LED indikatoriams, akumuliatorius yra visiškai įkrautas. Akumuliatorių kraukite daugiausia 24 valandas.
5. Norėdami atjungti akumuliatoriaus įkroviklį nuo elektros lizdo, traukite už kištuko, o ne už maitinimo laido.
6. Iš įkroviklio išimkite akumuliatorių.

## Gaminio paleidimas

1. Įstatykite įkrautą akumuliatorių į 1 akumuliatoriaus skyrių po akumuliatoriaus gaubtu. Jei norėsite dirbti ilgiau, įstatykite antrą įkrautą akumuliatorių į 2 akumuliatoriaus skyrių.
2. Pasukite apsauginį raktelį į padėtį „1“. (Pav. 32)
3. Stovėkite už gaminio.
4. Valdymo skydelyje paspauskite ĮJUNGIMO / IŠJUNGIMO mygtuką (A) ir įsižiebs žalias LED indikatorius (B). (Pav. 33)
5. Atleiskite apsaugą nuo netyčinio paleidimo. (Pav. 34)
6. Pastumkite variklio stabdymo rankeną link gaminio rankenos. (Pav. 35)

## „Save“ funkcijos naudojimas

Gaminyje yra akumuliatoriaus taupymo funkcija („Save“), leidžianti pailginti naudojimo trukmę.

1. Paspauskite mygtuką „Save“ (A), kad įjungtumėte funkciją. Įsižiebs žalias LED indikatorius. (Pav. 36)
2. Paspauskite mygtuką „Save“ (A) dar kartą, kad išjungtumėte funkciją. Žalias LED indikatorius (B) išsijungs.

## Didelės apkrovos funkcija

Gaminio pjaunant aukštą ar šlapią žolę, variklio sūkiai automatiškai padidinami. Kai didelės apkrovos funkcija nebūtina, variklis vėl pradeda veikti standartiniu režimu.

## El. variklio užgesimas

Naudojant gaminį, peilis ir variklis gali laikinai sustoti dėl kliūčių, pvz., užsikimšimo žole po pjovimo įrangos gaubtu. Jei taip nutinka ir laikote el. variklio stabdymo rankeną nuspausta, gaminys bando automatiškai pasileisti iš naujo. Jei gaminys iš naujo nepasileidžia per 5–10 sekundžių, gali reikėti nuvalyti sritį po pjovimo įrangos gaubtu. Žr. *Gaminio valymas psl. 227*.



**PERSPĖJIMAS:** Jei el. variklis sustoja, gaminys 5–10 sekundžių bando automatiškai pasileisti iš naujo. Palaukite mažiausiai 15 sekundžių ir tik tuomet tikrinkite pjovimo įrangos gaubtą.



**PERSPĖJIMAS:** Prieš tikrindami pjovimo įrangos gaubtą, atleiskite el. variklio stabdymo rankeną, pasukite apsauginį raktelį į padėtį „0“, išimkite akumuliatorių ir palaukite mažiausiai 5 sekundes. Jei kliūtis pašalinama ir gaminys netyčia paleidžiamas, kyla pavojus susižaloti.

## Gaminio sustabdymas

Gaminys sustabdomas automatiškai, jei nenaudojate jo 10 minučių. Niekada nepaleiskite gaminio iš akių, kai veikia variklis. Išjunkite variklį, pasukite apsauginį raktelį į padėtį „0“ ir išimkite akumuliatorių. Įsitinkite, kad skarifikatoriaus įranga nesisuka.

1. Norėdami sustabdyti variklį, atleiskite variklio stabdymo rankeną. (Pav. 37)
2. Valdymo skydelyje paspauskite [JUNGIMO / IŠJUNGIMO mygtuką (A) ir žalias LED indikatorius (B) išsijungs. (Pav. 33)
3. Atidarykite akumulatoriaus gaubtą ir pasukite apsauginį raktelį į padėtį „0“. (Pav. 38)
4. Norėdami išimti akumuliatorių, vienu matu paspauskite 2 atlaisvinimo mygtukus ir ištraukite akumuliatorių. (Pav. 39)
5. Jei akumulatoriaus įkrova žema, įkraukite jį. Jeigu reikia daugiau informacijos žr. *Akumulatoriaus įkrovimas psl. 225.*

## Techninė priežiūra

### Įvadas



**PERSPĖJIMAS:** Prieš atlikdami priežiūros darbus perskaitykite ir supraskite saugos skyriaus informaciją.

Visiems gaminio techninės priežiūros ir remonto darbams reikia specialių apmokymų. Garantuojame profesionalaus remonto ir techninės priežiūros darbų pasiekiamumą. Jei jūsų pardavėjas nėra techninės priežiūros atstovas, paprašykite jo informacijos apie artimiausią techninės priežiūros atstovą.

Išsamesnės informacijos žr. [www.husqvarna.com](http://www.husqvarna.com).

### Techninės priežiūros grafikas

Techninės priežiūros intervalai apskaičiuojami pagal kasdienį gaminio naudojimą. Intervalai keičiasi, jei gaminys nenaudojamas kasdien.

Informacijos apie techninės priežiūros veiksmus, pažymėtus \*, žr. *Gaminio apsauginės priemonės psl. 222.*

S 138l	Kiekvieną kartą naudojant	Kas mėnesį	Kas sezoną
Atlikite bendrąją apžiūrą.	X		
Nuvalykite gaminį.	X		
Patikrinti skarifikatoriaus įrangą.	X		
Įsitikinti, kad gaminio saugos įtaisai nepažeisti. *	X		
Patikrinti dangčius. *	X		
Patikrinti variklio stabdymo rankeną. *	X		
Patikrinti apsaugą nuo netyčinio paleidimo. *	X		
Įsitikinti, kad tinkamai veikia ir nepažeistas [JUNGIMO / IŠJUNGIMO mygtukas.	X		
Patikrinti, ar nepažeistas akumulatorius.	X		
Patikrinti akumulatoriaus įkrovą.	X		
Patikrinti, ar tinkamai veikia akumulatoriaus atlaisvinimo mygtukai ir ar akumulatorius užsifiksuoja gaminyje.	X		
Patikrinti, ar nepažeistas akumulatoriaus įkroviklis, ir įsitikinti, kad jis veikia tinkamai		X	

S 138i	Kiekvieną kartą naudojant	Kas mėnesį	Kas sezoną
Patikrinti jungtis tarp akumuliatoriaus ir gaminio. Taip pat patikrinti jungtį tarp akumuliatoriaus ir akumuliatoriaus įkroviklio.			X

## Bendroji apžiūra

- Įsitikinkite, kad gaminio varžlės ir varžtai priveržti.
- Įsitikinkite, kad gaminio kabeliai nėra tokioje padėtyje, kurioje jie galėtų būti pažeisti.

## Gaminio valymas

- Plastikines dalis valykite švaria ir sausa šluoste.
- Valydami gaminį nenaudokite vandens. Vandeniui pateikus į akumuliatorių arba variklį gali įvykti trumpasis jungimas arba gaminys gali sugesti.
- Gaminio neplaukite aukšto slėgio plovimo aparatu.
- Nepilkite vandens tiesiai ant variklio.
- Lapus, žolę ir purvą nuvalykite šepečiu.

## Akumuliatoriaus ir akumuliatoriaus įkroviklio valymas



**PERSPĖJIMAS:** Nevalykite akumuliatoriaus ar įkroviklio vandeniu.



**PERSPĖJIMAS:** Akumuliatoriui valyti nenaudokite jokių cheminių medžiagų.

- Prieš prijungdami akumuliatorių prie įkroviklio, įsitikinkite, kad akumuliatorius ir akumuliatoriaus įkroviklis yra švarūs ir sausi.
- Nupūskite akumuliatoriaus gnybtus suspaustu oru ir nuvalykite švelnia ir sausa šluoste.
- Nuvalykite akumuliatorių ir akumuliatoriaus įkroviklį švelnia ir sausa šluoste.

## Norėdami patikrinti skarifikatoriaus įrangą



**PERSPĖJIMAS:** Kad išvengtumėte netyčinio paleidimo, pasukite apsauginį raktelį į padėtį „0“, išimkite akumuliatorių ir palaukite mažiausiai 5 sekundes.



**PERSPĖJIMAS:** Skarifikatoriaus įrangos techninės priežiūros darbus atlikite apsimovę apsaugines pirštines. Skarifikatoriaus įrangos peiliai labai aštrūs ir gali lengvai įpjauti.

- Patikrinkite, ar skarifikatoriaus įrangą nepažeista ir neįskilusi. Visada pakeiskite pažeistą skarifikatoriaus įrangą.

## Norėdami pakeisti skarifikatoriaus įrangą



**PERSPĖJIMAS:** Skarifikatoriaus įrangos techninės priežiūros darbus atlikite apsimovę apsaugines pirštines. Skarifikatoriaus įrangą labai aštri ir gali lengvai įpjauti

1. Paverskite gaminį ant dešinioios pusės. (Pav. 40)
2. Išsukite 2 varžtus (A) ir nuimkite skarifikatoriaus dangtelį (B). Paspauskite skarifikatoriaus įrangą (C) į viršų ir į išorę, kad ją išimtumėte. (Pav. 41)
3. Įstatykite naują skarifikatoriaus įrangą (C) į griovelį ir į aną. Uždėkite skarifikatoriaus dangtelį (B) ir prisukite 2 varžtus (A) (Pav. 42)

---

## Gedimai ir jų šalinimas

---

### Akumulatorius

Akumulatoriaus LED	Priežastis	Sprendimas
Mirksi žalias šviesos diodas.	Akumulatoriaus įtampa žema.	Įkraukite akumuliatorių. Žr. <i>Akumulatoriaus įkrovimas psl. 225.</i>
Mirksi akumulatoriaus klaidos LED indikatorius.	Akumulatorius yra per šaltas arba per karštas, todėl jo negalima naudoti.	Leiskite akumuliatoriui atvėsti arba nuneškite jį į patalpą, kad įšiltų. Kai akumulatorius yra tinkamos temperatūros, jį galima vėl naudoti. Akumuliatorių gaminyje naudokite tik kai aplinkos temperatūra yra nuo 5 °C iki 40 °C.
	Akumulatorius išsekęs.	Įkraukite akumuliatorių. Žr. <i>Akumulatoriaus įkrovimas psl. 225.</i>
Įsižiebia klaidos LED indikatorius.	Įvyko nepataisoma akumulatoriaus klaida.	Kreipkitės į Husqvarna techninės priežiūros atstovą.

### Akumulatoriaus įkroviklis

Akumulatoriaus įkroviklio LED	Priežastis	Sprendimas
Klaidos LED mirksi arba šviečia.	Akumulatoriaus įkroviklis yra per šaltas arba per karštas, todėl jo negalima naudoti.	Leiskite akumulatoriaus įkrovikliui atvėsti arba nuneškite jį į patalpą, kad įšiltų. Kai akumulatoriaus įkroviklis yra tinkamos temperatūros, jį galima vėl naudoti. Akumulatoriaus įkroviklį naudokite tik kai aplinkos temperatūra yra nuo 5 °C iki 40 °C.
	Kitos klaidos.	Kreipkitės į Husqvarna techninės priežiūros atstovą.

## Valdymo skydelis

Klaida	Klaidos kodas (sumirksėjimų skaičius)	Galimi gedimai	Galimi veiksmai
Mirksi klaidos diodas	3	Variklis perkrautas.	Sumažinkite darbinį gylį. Žr. <i>Norėdami nustatyti darbinį gylį psl. 224</i> . Jei klaidos diodas vis tiek mirksi, skarifikatoriaus įranga užblokuojama. Kad išvengtumėte netyčinio paleidimo, pasukite apsauginį raktelį į padėtį „0“, išimkite akumuliatorių ir palaukite mažiausiai 5 sekundes. Įsitinkite, kad skarifikatoriaus įranga gali laisvai judėti. Jeigu problema kartojasi, kreipkitės į [galiotąjį] techninės priežiūros atstovą.
	5	Variklio greitis per daug sumažėja ir variklis sustoja.	
	9	Per daug įkaišęs variklio valdiklis.	Išjunkite variklį ir palaukite, kol jis atvės.
	7	Akumulatoriaus klaida arba nėra akumulatoriaus signalo.	Tinkamai įstatykite akumuliatorių į gaminį ir patikrinkite akumulatoriaus jungtį. Jei akumulatoriaus klaidos šviesos diodas mirksi, žr. <i>Akumulatorius psl. 228</i> .
Gaminys sustoja	6	Silpna akumulatoriaus įkrova.	Įkraukite akumuliatorių. Žr. <i>Akumulatoriaus įkrovimas psl. 225</i> .
	Diodas nemirksi.	Akumulatoriaus jungties gedimas.	Patikrinkite akumulatoriaus jungtį.
Kitos klaidos	Jei atsiranda kitų klaidų, pasukite apsauginį raktelį į padėtį „0“, išimkite akumuliatorių ir kreipkitės į patvirtintą techninės priežiūros atstovą.		

## Transportavimas, saugojimas ir utilizavimas

### Įvadas



**PERSPĖJIMAS:** Kad gabenant arba sandėliuojant išvengtumėte netyčinio paleidimo, pasukite apsauginį raktelį į padėtį „0“, išimkite akumuliatorių ir palaukite mažiausiai 5 sekundes.

- Transportavimo metu visuomet išimkite akumuliatorių.
- Ant akumulatoriaus jungčių užklijuokite izoliacinę juostą ir įsitinkite, kad transportuojant akumuliatorius nejudės.
- Transportuodami gaminį, jį pritvirtinkite.

### Sandėliavimas

### Transportavimas

- Įdėtiems ličio jonų akumuliatoriams taikomos pavojingų krovinių gabenimo taisyklės.
- Jeigu krovinys gabenamas komerciniu transportu, būtina laikytis specialių reikalavimų dėl pakavimo ir žymėjimo.
- Ruošdamiesi gaminį transportuoti, užtikrinkite, kad būtų laikomasi pavojingų medžiagų tvarkymo taisyklių. Gali būti taikomi vietos teisės aktai.

- Prieš padėdami gaminį į sandėlį, būtinai išimkite akumuliatorius.
- Prieš padėdami į sandėlį, palaukite, kol gaminys atvės.
- Kad išvengtumėte nelaimingų atsitikimų, įsitinkite, jog akumuliatorius sandėliuojant nėra prijungtas prie gaminio.
- Akumulatoriaus įkroviklį laikykite uždaroje ir sausoje aplinkoje.

- Akumuliatorių ir akumuliatoriaus įkroviklį laikykite sausoje ir šiltoje vietoje.
- Sandėliuodami atjunkite akumuliatorių nuo akumuliatoriaus įkroviklio.
- Nelaikykite akumuliatoriaus tokioje vietoje, kur gali susidaryti statinis krūvis. Nelaikykite akumuliatoriaus metalinėje dėžutėje.
- Gaminį saugokite vietoje, kurios aplinkos temperatūra yra nuo -10 °C iki 40 °C.
- Akumuliatorių laikykite aplinkoje, kurios temperatūra yra nuo 5 °C iki 25 °C ir kurios nepasiekia tiesioginiai saulės spinduliai.
- Akumuliatoriaus įkroviklį laikykite aplinkoje, kurios temperatūra yra nuo 5 °C iki 45 °C ir kurios nepasiekia tiesioginiai saulės spinduliai.
- Prieš sandėliuodami ilgesnį laiką pasirūpinkite, kad akumuliatorius būtų įkrautas 30–50 %.
- Gaminį, akumuliatorių ir akumuliatoriaus įkroviklį laikykite rakinamoje patalpoje, kur jų negalėtų pasiekti vaikai ir pašaliniai asmenys.
- Nuvalykite gaminį ir įsitikinkite, kad žolės rinktuvas yra tuščias.

- Atlikite naudojimo instrukcijoje nurodytas technines priežiūros procedūras. Žr. *Techninės priežiūros grafikas psl. 226*.
- Prieš padėdami gaminį į sandėlį ilgam laikui, atlikite nuodugnią techninę priežiūrą.

## Utilizavimas

Ant gaminio ar ant jo pakuotės pateikti simboliai rodo, kad šio gaminio negalima išmesti kartu su buitinėmis atliekomis. Įrenginį reikia atiduoti į atitinkamą perdirbimo įmonę, kuri utilizuotų elektrines ir elektronines dalis.

Rūpindamiesi, kad šis gaminys būtų tvarkomas teisingai, padedate išvengti galimo neigiamo poveikio aplinkai ir žmonėms, kurį gali sukelti netinkamas šio gaminio atliekų tvarkymas. Jei reikia daugiau informacijos apie šio gaminio perdirbimą, kreipkitės į savivaldybę, buitinių atliekų tvarkymo tarnybą arba parduotuvę, kurioje įsigijote gaminį.

(Pav. 43)

## Techniniai duomenys

### Techniniai duomenys

<b>S 138i</b>	
<b>Variklis</b>	
Variklio tipas	BLDC (be šepetėlių) 36 V
Įtaiso greitis – „Save“ <sup>®</sup> , aps./min.	3000
Įtaiso greitis – nominalus, aps./min.	3200
Variklio galingumas – maks., kW	1,28
Variklio galingumas – nominalus, kW	0,9
<b>Svoris</b>	
Svoris be maišo (be akumuliatoriaus), kg	19,5
Svoris su maišu (su 1 x „BLi30“), kg	23
<b>Akumuliatorius</b>	
Akumuliatoriaus tipas	„Husqvarna“ akumuliatorių serija
<b>Akumuliatoriaus veikimo laikas</b>	
Akumuliatoriaus veikimo laikas, min, (laisva eiga) įjungus „Save“ <sup>®</sup> funkciją, su vienu „Husqvarna“ 7,5 Ah akumuliatoriumi (BLi30).	195
Akumuliatoriaus veikimo laikas, min, (laisva eiga) standartiniu režimu, su vienu „Husqvarna“ 7,5 Ah akumuliatoriumi (BLi30).	175

<b>S 138i</b>	
<b>Skleidžiamas triukšmas</b> <sup>40</sup>	
Garso galios lygis, išmatuotas dB (A)	89
Garso galios lygis, garantuojamas L <sub>WA</sub> dB (A)	91
<b>Garso lygiai</b> <sup>41</sup>	
Operatoriaus ausį veikiantis garso slėgis, dB (A)	75
<b>Vibracijos lygis</b> <sup>42</sup>	
Rankena, m/s <sup>2</sup>	5,5
<b>Naudojimas</b>	
Darbinis gylis, maks./min., mm	-8 / +5
Darbinis plotis, cm	37,5
Skarifikavimo peilių priedas	5973510-01
Spyruoklinių akėčių įtaisas	5973509-01
Žolės rinktuvo talpa, litrai	45

Patvirtinti akumulatoriai	Tipas	Akumulatoriaus talpa, Ah	Įtampa, V	Svoris, svar. / kg
BLi30	Ličio jonų	7,5	36	4,2 / 1,9
40-B140	Ličio jonų	4,0	36	2,6 / 1,2

Patvirtinti įkrovikliai nurodytiems akumulatoriams, BLi	Įvado įtampa, V	Dažnis, Hz	Galia, W
40-C80	100–240	50–60	68,8
QC250	220–240	50	250

<sup>40</sup> Triukšmas, skleidžiamas į aplinką, išmatuotas kaip garso galia (L<sub>WA</sub>) pagal EB direktyvą 2000/14/EB.

<sup>41</sup> Nurodyto triukšmo slėgio lygio paklaidos veiksnys (K) – 1,5 dB (A).

<sup>42</sup> Nurodytų vibracijos lygių paklaidos veiksnys (K) – 1,5 m/s<sup>2</sup>. Nurodyta suminė vibracijos vertė išmatuota pagal EN 62841-4-7, I priedą, ir ją galima naudoti norint palyginti vieną įrenginį su kitu bei atliekant preliminarų poveikio vertinimą.

---

## Atitikties deklaracija

---



## ES atitikties deklaracija

Mes, **Husqvarna AB**, SE-561 82 Huskvarna, Švedija, tel. +46-36-146500, atsakingai patvirtiname, kad gaminys:

<b>Aprašymas</b>	Betono frezavimo mašina
<b>Gamintojas</b>	Husqvarna
<b>Tipas / modelis</b>	S 138i
<b>Identifikacijos numeris</b>	Serijos numeriai nuo 2023 m.

visiškai atitinka šias ES direktyvas ir reglamentus:

Direktyva / reglamentas	Aprašymas
2011/65/ES	„dėl tam tikrų pavojingų medžiagų naudojimo elektros ir elektroninėje įrangoje apribojimo“
2006/42/EB	„dėl mašinų“
2014/30/ES	„dėl elektromagnetinio suderinamumo“
2000/14/EB	„dėl į aplinką skleidžiamo triukšmo“

ir kad laikomasi šių standartų ir (arba) techninių specifikacijų: EN 62841-1:2015/A11:2022, EN IEC 62841-4-7:2022/A11:2022, EN ISO 12100:2010, EN 55014-1:2017/A11:2020, EN 55014-2:2015, EN IEC 63000:2018.

Informacijos apie triukšmo emisiją žr. *Techniniai duomenys psl. 230*.

Huskvarna, 2023-12-30



Claes Losdal,

plėtos vadovas / sodo gaminiai

„Husqvarna AB“

Atsakingas už techninę dokumentaciją



---

## Saturs

---

Ievads.....	234	Problēmu novēršana.....	244
Drošība.....	235	Pārvadāšana, glabāšana un utilizēšana.....	245
Montāža.....	240	Tehniskie dati.....	246
Lietošana.....	240	Atbilstības deklarācija.....	248
Apkope.....	242		

---

## Ievads

---

### Izstrādājuma apraksts

Izstrādājums ir gājējam vadāms elektriskais zāliena skarifikators. Zāliena skarifikators attīra zālienu no sausās zāles un uzirdina augsni, lai zālienā iepļūstu gaiss un ūdens. Sausā zāle tiek savākta zāles uztvērējā vai atstāta uz zāliena. Izstrādājumam ir divu veidu zāliena skarifikatora aprīkojums.

### Zāliena skarifikatora aprīkojums

Informāciju par to, kā nomainīt zāliena skarifikatora aprīkojumu, skatiet šeit: *Zāliena skarifikatora aprīkojuma maiņa lpp. 243.*

### Asmeņu zari

Asmeņu zari noņem sauso zāli un vertikāli sagriež zāles saknes. Izmantojiet asmeņu zarus nogāzēs, uz

### Produkta pārskats

(Att. 1)

1. Motora bremzes rokturis
2. Augšējais rokturis
3. Vadības panelis
4. Iedarbināšanas kavētājs
5. Apakšējais rokturis
6. Zāles savācējs
7. Aizmugurējais pārsegs
8. Zāliena skarifikatora pārsegs
9. Akumulatora pārsegs
10. Darba dziļuma regulators
11. Drošības atslēga
12. Ieslēgšanas/izslēgšanas gaismas diodes indikators
13. Ieslēgšanas/izslēgšanas poga
14. Poga SavE
15. SavE gaismas diodes indikators
16. Akumulatora uzlādes indikators un akumulatora poga
17. Atsperu zari
18. Akumulators (piederums)
19. Akumulatora lādētājs (piederums)
20. Sešstūra atslēga
21. Lietošanas rokasgrāmata

terasēm un augsnēs, kurās ir daudz māla. Asmeņu zari nodrošina ūdens iepļūšanu zālienā un nepieļauj ūdens uzkrāšanos uz virsmas.

(Att. 17)

### Atsperu zari

Atsperu zari rūpīgi savāc nokaltušo un sauso zāli no zāliena, nebojājot zāles saknes.

(Att. 18)

### Paredzētā lietošana

Izmantojiet šo ražojumu, lai noņemtu sauso zāli un sūnas un uzirdinātu piemājas dārza augsni. Nelietojiet zāliena sagatavotāju citiem uzdevumiem.

### Simboli uz produkta

(Att. 2) BRĪDINĀJUMS.

(Att. 3) Izlasiet norādījumus.

(Att. 4) BRĪDINĀJUMS. Sargieties no izvīstiem priekšmetiem.

(Att. 5) Nepieļaujiet citu personu atrašanos darba zonā.

(Att. 6) BRĪDINĀJUMS. Netuviniet rokas un kājas zariem.

(Att. 7) Pirms tehniskās apkopes atvienojiet akumulatoru.

(Att. 8) Nepakļaujiet ierīci lietus iedarbībai.

(Att. 9) Šis produkts ir aizsargāts pret ūdens šļakatām.

(Att. 10) Šis produkts atbilst spēkā esošajām EK direktīvām.

(Att. 11) Šis produkts atbilst spēkā esošajiem AK regulām.

(Att. 12) Trokšņa emisijas vidē uzlīme atbilstoši ES un Apvienotās Karalistes direktīvām un noteikumiem, kā arī Jaundienvēlsas tiesību aktam "Darba vides aizsardzības (trokšņa kontroles) regula (2017)". Produkta garantētais skaņas jaudas līmenis ir norādīts *Tehniskie dati lpp. 246* un uz etiķetes.

(Att. 15) Utilizējiet šo produktu elektrisko un elektronisko ierīču pārstrādes vietā. (Attiecas vienīgi uz Eiropu)

(Att. 16) Iedarbināšanas procedūra: nospiediet ieslēgšanas/izslēgšanas pogu, atbrīvojiet iedarbināšanas ierobežotāju, nospiediet motora bremžu rokturi uz leju.

(Att. 13) Atļaidiet motora bremžu rokturi, lai apturētu.

(Att. 14) Skenējams kods.

**Piezīme:** Pārējie uz produkta norādītie simboli/norādes atbilst dažu valstu sertifikācijas prasībām.

## Produkta bojājumi

Mēs neatbildam par mūsu produkta bojājumiem, ja:

- ir veikts nepareizs produkta remonts;
- produkta remonts ir veikts, izmantojot detaļas, ko nav nodrošinājis vai apstiprinājis ražotājs;
- produktam tiek pievienots piederums, ko nav nodrošinājis vai apstiprinājis ražotājs;
- produkta remonts nav veikts pilnvarotā remontdarbnīcā vai pie pilnvarota speciālista.

## Drošība

### Drošības definīcijas

Brīdinājumi, norādes "Uzmanību!" un piezīmes tiek izmantotas, lai izceltu īpaši svarīgas lietotāja rokasgrāmatas daļas.



**BRĪDINĀJUMS:** Tiek izmantota tad, ja rokasgrāmatā sniegto instrukciju neievērošanas dēļ operatoram vai blakus esošajām personām draud traumu vai nāves risks.



**IEVĒROJIET:** Tiek izmantota tad, ja rokasgrāmatā sniegto instrukciju neievērošanas dēļ rodas izstrādājuma, citu materiālu vai blakus esošās teritorijas bojājuma risks.

**Piezīme:** Tiek izmantota, lai sniegtu plašāku informāciju, kas nepieciešama attiecīgajā situācijā.

### Vispārīgi izstrādājuma drošības brīdinājumi



**BRĪDINĀJUMS:** Izlasiet visus drošības brīdinājumus, norādījumus, apskatiet attēlus un tehniskos datus, kas iekļauti šī izstrādājuma komplektā. Tālāk norādīto brīdinājumu un norādījumu

neievērošana var radīt strāvas triecienu, aizdegšanos un/vai nopietnas traumas.

**Saglabāiet visus brīdinājumus un norādījumus turpmākām uzziņām.** Brīdinājumos izmantotais termins "izstrādājums" attiecas uz elektrisko izstrādājumu (ar barošanas kabeli) vai uz izstrādājumu ar akumulatoru (bez barošanas kabeļa).

### Darba zonas drošība

- **Darba zonai jābūt tīrai un labi apgaismotai.** Nekārtīgās un tumšās vietās bieži notiek negadījumi.
- **Nelietojiet izstrādājumu sprādzienbīstamā vidē, piemēram, viegli uzliesmojošu šķidrumu, gāzu vai putekļu tuvumā.** Produkts rada dzirksteles, kas var izraisīt putekļu vai izgarojumu aizdegšanos.
- **Produkta lietošanas laikā neļaujiet tuvumā atrasties bērniem un citām personām.** Uzmanības novēršanas dēļ varat zaudēt kontroli.

### Individuālā aizsardzība

- **Lietojot izstrādājumu, ievērojiet piesardzību, pārdomājiet savas darbības un rīkojieties saprātīgi. Nelietojiet izstrādājumu, kad esat noguris vai narkotiku, alkohola vai zāļu iespaidā.** Pat neuzmanības mirklis, lietojot izstrādājumu, var radīt smagu traumu.
- **Lietojiet individuālos aizsardzības līdzekļus. Vienmēr lietojiet acu aizsargus.** Individuālo aizsardzības līdzekļu, piemēram, putekļu maskas, aizsargapavu ar neslīdošām zolēm, ķiveres vai dzirdes

aizsarglīdzekļu, lietošana attiecīgos apstākļos samazina traumu gūšanas risku.

- **Nepieļaujiet nejaušu ieslēgšanu.** Pirms produkta pievienošanas strāvas padeves avotam un/vai akumulatoram, pacelšanas vai pārvietošanas pārbaudiet, vai slēdzis ir izslēgtā stāvoklī. Izstrādājuma pārnēsāšana, turot pirkstu uz slēdža, vai izstrādājuma pieslēgšana barošanai, ja ir ieslēgts slēdzis, var izraisīt negadījumus.
- **Pirms produkta ieslēgšanas noņemiet regulēšanas atslēgu vai uzgriežņu atslēgu.** Uz produkta rotējošajām detaļām atstāta uzgriežņu atslēga vai atslēga var radīt traumu.
- **Nesniedzieties pārāk tālu.** Vienmēr stāviet stabili un saglabājiet līdzsvaru. Tādējādi var labāk vadīt produktu negaidītās situācijās.
- **Attiecīgi apģērbieties.** Nevalkājiet vaļīgu apģērbu vai rotaslietas. Nepieļaujiet matu un apģērba saskari ar kustīgajām daļām. Vaļīgas drēbes, rotaslietas vai gari mati var iekerties kustīgajās detaļās.
- **Ja komplektācijā ir iekļautas pievienojamas putekļu iesūkšanas ierīces un savākšanas tvertnes, pārbaudiet, vai tās ir piestiprinātas un tiek pareizi izmantotas.** Putekļu savākšanas līdzekļu izmantošana var samazināt putekļu radītos draudus.
- **Nekļūstiet nevērīgs pret darbarīka drošas izmantošanas principiem un neignorējiet tos pat tad, ja bieži izmantojat darbarīkus un esat labi apguvis to lietošanu.** Neuzmanīga rīcība var izraisīt nopietnu traumu vienā acumirklī.

## Izstrādājuma lietošana un apkope

- **Nespiediet produktu ar spēku.** Izmantojiet konkrētajam darbam piemērotu produktu. Izmantojot pareizo produktu ar tam paredzēto ātrumu, darbu var paveikt labāk un drošāk.
- **Nelietojiet produktu, ja, nospiežot slēdzi, tas neieslēdzas vai neizslēdzas.** Produkts, kuru nevar vadīt, izmantojot slēdzi, rada draudus un ir jāremontē.
- **Pirms jebkādu regulēšanas darbu veikšanas, piederumu maiņas vai izstrādājuma novietošanas uzglabāšanai atvienojiet kontaktspraudni no barošanas avota un/vai izņemiet akumulatoru.** Šādi piesardzības pasākumi samazina produkta nejaušas palaišanas risku.
- **Ja izstrādājumu neizmantojat, novietojiet to bērnēm nepieejamā vietā un neļaujiet to lietot personām, kas nepārzina tā lietošanu vai šeit sniegtos norādījumus.** Nonākot rokās lietotājam bez atbilstošām zināšanām, izstrādājumi ir bīstami.
- **Veiciet izstrādājumu un piederumu tehnisko apkopi.** Pārbaudiet kustīgo detaļu nobīdi vai sūkņi, detaļu bojājumus un jebkādas citus faktorus, kas var ietekmēt izstrādājuma darbību. Ja izstrādājums ir bojāts, pirms tā lietošanas veiciet remontu. Daudzu nelaimes gadījumu iemesls ir slikti uzturēts izstrādājums.

- **Griezējinstrumenti jāuztur asi un tīri.** Pareizi uzturēti griezējinstrumenti ar asiem asmeņiem retāk saliecas, un tos ir vieglāk vadīt.
- **Lietojiet produktu, piederumus un asmeņus u.c. detaļas atbilstoši šeit sniegtajiem norādījumiem, ņemot vērā darba apstākļus un veicamos uzdevumus.** Produkta lietošana neparedzētiem mērķiem var radīt bīstamas situācijas.
- **Rokturiem un turēšanas virsmām ir jābūt sausām, tīrām un uz tām nedrīkst būt eļļas un smērvielas.** Slideni rokuri un satveršanas virsmas traucē drošu izstrādājuma izmantošanu un vadību negaidītās situācijās.

## Akumulatora rīka lietošana un apkope

- **Uzlādei izmantojiet tikai ražotāja norādīto lādētāju.** Lādētājs, kas ir piemērots viena tipa akumulatora blokam, var kļūt ugunsbīstams, lietojot to ar cita veida akumulatora bloku.
- **Izmantojiet iekārtas tikai ar tām paredzētajiem akumulatoru blokiem.** Jebkura cita akumulatora bloka lietošana var radīt traumas un ugunsgrēka risku.
- **Kad akumulatora bloks netiek izmantots, turiet to drošā attālumā no metāla priekšmetiem, piemēram, papīra spraudzumiem, monētām, atslēgām, naglām, skrūvēm un citiem nelieliem metāla priekšmetiem, kas var savienot spalles.** Akumulatora spaiļu savienošana var radīt apdegumus vai aizdegšanos.
- **Nepareizi lietojot, no akumulatora var iztecoēt šķidrums; izvairieties no saskares ar to.** Ja nejaūši notiek saskare, noskalojiet skarto vietu ar lielu daudzumu ūdens. Ja šķidrums iekļūst acīs, vērsieties pēc medicīniskās palīdzības. No baterijas iztecojis šķidrums var radīt kairinājumu vai apdegumus.
- **Nelietojiet akumulatoru bloku vai darbarīku, ja tas ir bojāts vai pārveidots.** Bojāts vai pārveidots akumulators var darboties neparedzami, izraisot aizdegšanos, eksploziju vai traumu gūšanas risku.
- **Nepakļaujiet akumulatoru bloku vai darbarīku ugunij vai pārmērīgi augstai temperatūrai.** Ja pakļausit iekārtu uguns iedarbībai vai tādās temperatūras iedarbībai, kas pārsniedz 130°C (265°F), var notikt sprādziens.
- **Nemiet vērā visas uzlādes instrukcijas un nelādējiet akumulatoru bloku vai darbarīku temperatūrā, kas ir ārpus instrukcijās norādītā diapazona.** Nepareiza uzlāde vai uzlāde temperatūrā, kas ir ārpus norādītā diapazona, var bojāt akumulatoru un palielināt ugunsgrēka risku.

## Apkope

- **Uzticiet izstrādājuma apkopi kvalificētam remontdarbu speciālistam, kas izmanto tikai oriģinālas rezerves daļas.** Tādējādi tiks garantēta izstrādājuma lietošanas drošība.
- **Nekad neveiciet bojātu akumulatoru apkopi.** Akumulatoru apkopi drīkst veikt tikai ražotājs vai pilnvarots apkopes nodrošinātājs.

## Produkta drošības brīdinājumi

- **Nelietojiet produktu sliktos laikapstākļos, it īpaši tad, ja ir iespējams pārkona negaiss.** Tas palielina risku, ka jums varētu iespert zibens.
- **Rūpīgi pārbaudiet, vai teritorijā, kurā izmantosit produktu, nav savvaļas dzīvnieku.** Produkta darbības laikā var tikt traumēti savvaļas dzīvnieki.
- **Rūpīgi pārbaudiet zonu, kurā lielosit produktu, un noņemiet akmeņus, zarus, vadus, kaulus un citus svešķermeņus.** Izsviesti priekšmeti var radīt smagu traumu.
- **Pirms produkta lietošanas vienmēr vizuāli pārbaudiet, vai zari un zaru bloks nav nodilis vai bojāts.** Nodilušas vai bojātas detaļas palielina traumu gūšanas risku.
- **Regulāri pārbaudiet, vai zāles savācējs nav nodilis vai bojāts.** Noliegots vai bojāts zāles savācējs var palielināt traumas gūšanas risku.
- **Vienmēr izmantojiet aizsargus. Aizsargiem jābūt darba kārtībā un pareizi uzstādītiem.** Vajāgs, bojāts aizsargs vai tāds, kas nedarbojas pareizi, var radīt traumu.
- **Visas dzesēšanas gaisa atveres vienmēr uzturiet tīras.** Nosprostoti gaisa ievadi un nefūriumi var izraisīt pārkaršanu un aizdegšanos.
- **Izmantojot produktu, vienmēr valkājiet neslidošus aizsargapavus. Neizmantojiet produktu, ja staigājat basām kājām vai vajējās sandalēs.** Tādējādi tiek samazināta iespēja gūt traumu, saskaroties ar kustīgajiem zariem.
- **Lietojot produktu, vienmēr valkājiet garās bikses.** Nenosegta āda palielina izsviestu priekšmetu radītas traumas gūšanas iespēju.
- **Nedarbiniet produktu slapjā zālē. Ejiet, nekādā gadījumā neskrīniet.** Šādi samazināsīt paslīdēšanas un nokrišanas risku, kas var radīt traumas.
- **Nelietojiet produktu ļoti slīpās vietās.** Šādi samazināsīt līdzsvara zuduma iespējamību, paslīdēšanas un nokrišanas risku, kas var radīt traumas.
- **Strādājot nogāzēs, vienmēr pārliecinieties par kāju novietojumu, vienmēr strādājiet šķērsām nogāzei, nekad augsup vai lejup un ievērojiet īpašu piesardzību, mainot virzienu.** Šādi samazināsīt līdzsvara zuduma iespējamību, paslīdēšanas un nokrišanas risku, kas var radīt traumas.
- **Esiet īpaši uzmanīgi, virzoties atpakaļ vai velkot produktu pie sevis. Vienmēr vērojiet apkārtni.** Šādi samazināsīt zāles plāvēja apgāšanās risku strādājot.
- **Turiet produktu tikai aiz izolētajām satveršanas virsmām, jo zari var saskarties ar paslēptu vadu vai produkta vadu.** Zari, saskaroties ar vadu, kurā ir spriegums, var pārvadīt spriegumu uz iekārtas neseģtajām metāla daļām un radīt operatoram elektriskās strāvas triecienu.
- **Nepieskarieties zariem un citām bīstamām rotējošām detaļām, kamēr tās vēl kustas.** Šādi samazināsīt kustīgu detaļu radītu traumu risku.

- **Pirms ņemāt iestrēgušu materiālu vai tīrīt produktu, pārliecinieties, ka visi barošanas slēdži ir izslēgti un akumulatora bloks ir atvienots.** Neparedzēta produkta darbība var radīt smagas traumas.

## Vispārīgi drošības norādījumi



**BRĪDINĀJUMS:** Pirms izstrādājuma lietošanas izlasiet tālāk izklāstītos brīdinājumus.

- Šis izstrādājums ir bīstams, ja to lieto nepareizi vai ja nerīkojaties piesardzīgi. Drošības instrukciju neievērošana var izraisīt traumas vai nāvi.
- Šis izstrādājums darbības laikā rada elektromagnētisko lauku. Zināmos apstākļos šis lauks var traucēt aktīvā vai pasīvā medicīniskā implantāta darbību. Lai samazinātu nopietnas traumas gūšanas vai dzīvības zaudēšanas risku, mēs iesakām personām, kam ir medicīniskie implantāti, pirms šī izstrādājuma lietošanas konsultēties ar savu ārstu un medicīniskā implantāta ražotāju.
- Vienmēr rīkojieties piesardzīgi un saprātīgi. Ja neesat drošs par to, kā izmantot šo izstrādājumu konkrētā situācijā, pārtrauciet darbu un sazinieties ar savu Husqvarna izplatītāju, pirms turpināt.
- Paturiet prātā, ka operators ir atbildīgs par negadījumiem, kuros iesaistītas citas personas.
- Gādājiet, lai izstrādājums ir tīrs. Pārliecinieties, ka varat skaidri izlasīt zīmes un uzlīmes.
- Nekādā gadījumā nelaujiet lietot ierīci bērniem vai cilvēkiem, kas nepārzina instrukcijas. Vietējie normatīvi var ierobežot operatora vecumu.
- Ja produktu izmanto persona ar samazinātām fiziskajām vai garīgajām spējām, vienmēr uzraugiet šo personu. Tuvumā vienmēr jābūt pieaugušajam.
- Neizmantojiet šo izstrādājumu, ja esat noguris, slims vai esat alkohola, narkotiku vai medikamentu izraisītā reibumā. Šāds stāvoklis negatīvi ietekmē jūsu redzi, modrību, koordināciju un spriestspēju.
- Nelietojiet šo izstrādājumu, ja tas ir bojāts vai nedarbojas pareizi.
- Neveiciet izmaiņas šajā izstrādājumā un neizmantojiet to, ja ir iespējams, ka citas personas tajā ir veikušas izmaiņas.

## Darba drošība



**BRĪDINĀJUMS:** Pirms ierīces lietošanas izlasiet zemāk minētos norādījumus.

- Izmantojiet šo produktu, lai ņemtu sauso zāli un sūnas tikai no zālieniem. Produktu nav atļauts izmantot citu darbu veikšanai.
- Lietojiet individuālos aizsardzības līdzekļus. Skatiet šeit: *Individuālie aizsarglīdzekļi lpp. 238.*

- Pārliecinieties, vai zināt, kā ārkārtas situācijā ātri apturēt dzinēju.
- Nedarbiniet pūtēju lietus laikā un nepakļaujiet to lietus vai mitruma iedarbībai. Tas var palielināt elektriskās strāvas trieciena risku.
- Nedarbiniet produktu, ja zari un visi pārsegi nav piestiprināti pareizi. Nepareizi piestiprināti zari var kļūt vaļīgi un radīt traumas.
- Pārliecinieties, ka zari neatsitas pret priekšmetiem, piemēram, akmeņiem un saknēm. Tas var sabojāt zarus un saliekt dzinēja vārpstu. Saliekta ass izraisa stipru vibrāciju un rada ļoti lielu risku, ka zari kļūst vaļīgi.
- Ja zari saskaras ar šķērslī vai rodas vibrācija, nekavējoties izslēdziet produktu. Izslēdziet dzinēju, pagrieziet drošības atslēgu pozīcijā "0" un izņemiet akumulatoru. Uzgaidiet, līdz kustīgās daļas apstājas. Pārbaudiet, vai produktam nav bojājumu. Pievelciet vaļīgās daļas. Novērsiet bojājumus un nomainiet bojātās daļas. Uzticiet remontdarbu veikšanu apstiprinātam apkopes uzņēmumam.
- Nekādā gadījumā nepiestipriniet motora bremžu rokturi rokturim, kad motors darbojas.
- Novietojiet produktu uz stabilas, līdzenas virsmas un iedarbiniet to. Pārliecinieties, ka zari nepieskaras zemei vai citiem priekšmetiem.
- Darbinot pūtēju, vienmēr stāviet aiz tā.
- Lietojot produktu, pārbaudiet, vai visi riteņi atrodas uz zemes un turiet rokturi ar abām rokām. Turiet rokas un kājas drošā attālumā no rotējošiem zariem.
- Nesasveriet zāles plāvēju, kad iedarbināt tā motoru vai zāles plāvēja lietošanas laikā.
- Esiet piesardzīgi, velkot produktu atpakaļ.
- Nekādā gadījumā neceliet pūtēju uz augšu motora darbības laikā. Ja produkts ir jāpacel, vispirms izslēdziet dzinēju, pagrieziet drošības atslēgu pozīcijā "0" un izņemiet akumulatoru.
- Neejiet atsmuriski pūtēja lietošanas laikā.
- Apturiet motoru, ja nepieciešams savvērt pūtēju transportēšanai vai pirms pārvietošanās pa laukumiem bez zāles, piemēram, grants, akmens un asfalta ceļiem.
- Nekādā gadījumā neskrieniet ar pūtēju motora darbības laikā. Lietojot pūtēju, vienmēr ejiet.
- Apturiet motoru, pirms maināt darba dziļumu. Nekādā gadījumā nemēģiniet veikt regulēšanu motora darbības laikā.
- Nekad neatstājiet produktu bez uzraudzības motora darbības laikā. Izslēdziet dzinēju, pagrieziet drošības atslēgu pozīcijā "0" un izņemiet akumulatoru. Pārliecinieties, vai zāliena skarifikatora apriņķis negriežas.
- Pūtēja vibrācija darbības laikā var atšķirties no vibrācijas parametriem, kas norādīti šeit: *Tehniskie dati lpp. 246*. Atšķirība ir atkarīga no pūtēja izmantošanas veida. Ja pūtējs tiek lietots bieži vai ilgstoši, regulāri ieturiet pauzes, lai nepieļautu vibrācijas radītas traumas.

## Norādījumi par drošu darbu

### Individuālie aizsarglīdzekļi



**BRĪDINĀJUMS:** Pirms sākat lietot šo izstrādājumu, izlasiet tālāk izklāstītos brīdinājumus.

- Šādi līdzekļi nevar pilnībā novērst traumu gūšanas risku, taču samazina traumu smaguma pakāpi, ja negadījums tomēr notiek. Ļaujiet izplatītajam palīdzēt jums izvēlēties pareizo apriņķojumu.
- Velciet izturīgas zābakus vai kurpes, kas neslīd. Nevelciet vaļējas kurpes un neejiet ar basām kājām.
- Uzvelciet izturīgas garās bikses.
- Vajadzības gadījumā izmantojiet aizsargcimdus, piemēram, piestiprinot, pārbaudot vai tīrot griešanas apriņķojumu.
- Ieteicams izmantot dzirdes aizsarglīdzekļus.

### Izstrādājuma drošības ierīces



**BRĪDINĀJUMS:** Pirms izstrādājuma lietošanas izlasiet tālāk izklāstītos brīdinājumus.

- Nelietojiet izstrādājumu ar drošības ierīcēm, kas ir bojātas vai nedarbojas pareizi.
- Nenoņemiet un nepārveidojiet drošības ierīces.
- Regulāri pārbaudiet drošības ierīces. Ja drošības ierīces ir bojātas vai nedarbojas pareizi, sazinieties ar Husqvarna apkopes dienesta pārstāvi.

### Pārsegu pārbaude

Zāliena skarifikatora pārsegs mazina produkta vibrāciju un zāliena skarifikatora apriņķojuma radītu traumu gūšanas risku.

- Pārbaudiet zāliena skarifikatora sānu pārsegu, lai pārliecinātos, vai nav bojājumu, piemēram, plaisu.
- Pārbaudiet aizmugurējo pārsegu, lai pārliecinātos, vai nav bojājumu, piemēram, plaisu.

### Motora bremzes rokturis

Motora bremžu rokturis aptur dzinēju. Atlaižot motora bremžu rokturi, motors apstājas.

Lai pārbaudītu dzinēja bremzes, iedarbiniet dzinēju un pēc tam atlaidiet dzinēja bremžu rokturi. Ja motors neapstājas 3 sekunžu laikā, lieciet pilnvarotā Husqvarna apkopes dienesta pārstāvim noregulēt dzinēja bremzes.

(Att. 19)

### Drošības atslēga

Drošības atslēga atrodas zem akumulatora pārsega. Drošības atslēga pieslēdz akumulatoru, kas nodrošina jaudu motoram.

- Lai pārbaudītu drošības atslēgu, iedarbiniet un izslēdziet motoru.

- Ja drošības atslēga darbojas pareizi, motors tiek iedarbināts tikai tad, kad atslēga tiek pagriezta stāvoklī "1".

(Att. 20)

## Iedarbināšanas ierobežotāja pārbaude

Pārbaudiet iedarbināšanas ierobežotāju, lai pārliecinātos, ka tas nepieļauj motora darbību.

1. Nospiediet motora bremžu rokturi roktura virzienā. Iedarbināšanas ierobežotājs aptur kustību.
2. Izstumiет iedarbināšanas ierobežotāju. (Att. 21)
3. Atlaidiet iedarbināšanas ierobežotāju un pārliecinieties, ka tas atgriežas sākotnējā stāvoklī.

## Akumulatora drošība



**BRĪDINĀJUMS:** Pirms izstrādājuma lietošanas izlasiet tālāk izklāstītos brīdinājumus.

- Izmantojiet Husqvarna atkārtoti uzlādējamus akumulatorus kā barošanas avotu tikai saistītiem Husqvarna izstrādājumiem. Lai nepieļautu traumu gūšanas risku, akumulatoru nedrīkst izmantot kā citu izstrādājumu strāvas avotu.
- Nelietojiet vienreiz lietojamās baterijas.
- Elektriskās strāvas trieciena risks. Nesavienojiet akumulatora spaiļes ar atslēgām, monētām, skrūvēm vai citiem metāla priekšmetiem. Tas var izraisīt akumulatora īssavienojumu.
- Neievietojiet nekādus priekšmetus akumulatora gaisa atverēs.
- Neglabājiet akumulatoru vietās, ka ir pakļautas tiešai saulesgaismai, karstumam vai atklātām liesmām. Akumulators var sprāgt un radīt apdegumus un/vai ķīmiskos apdegumus.
- Akumulatoru nedrīkst pakļaut lietus un mitruma ietekmei.
- Akumulatoru nedrīkst pakļaut mikroviļņu un augsta spiediena ietekmei.
- Akumulatoru nedrīkst izjaukt vai saspīest.
- Ja rodas noplūde no akumulatora, neļaujiet šķidrumam saskarties ar ķermeni vai acīm. Ja pieskaraties šķidrumam, nomazgājiet skarto vietu ar lielu daudzumu ūdens un meklējiet medicīnisko palīdzību.
- Izmantojiet akumulatoru zāles plāvējā tikai, ja apkārtējās vides temperatūra ir diapazonā no 5 līdz 40 °C.
- Izmantojiet akumulatora lādētāju tikai, ja apkārtējās vides temperatūra ir diapazonā no 5 līdz 40 °C.
- Akumulators netīks uzlādēts, ja akumulatora temperatūra pārsniedz 50 °C.
- Neļiet akumulatoru un tā lādētāju ar ūdeni. Skatiet šeit: *Akumulators lpp. 244.*
- Nelietojiet bojātu akumulatoru.

- Uzglabājiet akumulatorus vietā, kur tuvumā nav metāla priekšmetu, piemēram, naglu, monētu, rotaslietu.

## Akumulatora lādētāja drošības norādes



**BRĪDINĀJUMS:** Pirms ierīces lietošanas izlasiet zemāk minētos norādījumus.

- Izmantojiet QC akumulatoru lādētājus tikai Husqvarna rezerves akumulatoru uzlādei.
- Pastāv elektriskās strāvas trieciena vai īssavienojuma risks. Neievietojiet nekādus priekšmetus lādētāja gaisa atverēs. Nemēģiniet ievietot akumulatora lādētāju. Nesavienojiet lādētāja spaiļes ar metāla priekšmetiem. Izmantojiet pārbaudītu elektroķīla kontaktligzdu.
- Šis produkts darbības laikā rada elektromagnētisko lauku. Zināmos apstākļos šis lauks var traucēt aktīvā vai pasīvā medicīniskā implantāta darbību. Lai samazinātu smagu vai nāvējošu traumu gūšanas risku, ieteicams tām personām, kurām ir medicīniskie implantāti, pirms šī produkta lietošanas konsultēties ar ārstu un medicīniskā implantāta ražotāju.
- Regulāri pārliecinieties, ka akumulatora lādētāja barošanas kabelis nav bojāts un splaisājis.
- Nevelciet akumulatora lādētāju aiz barošanas kabeļa. Lai akumulatora lādētāju atvienotu no elektroķīla kontaktligzdas, velciet aiz kontaktspraudņa. Nevelciet aiz barošanas kabeļa.
- Nenovietojiet barošanas kabeli un pagarinājuma kabeļus ūdens, eļļas un asu apmaļu tuvumā. Raugieties, lai kabelis netiktu iespiests durvis, žogos un līdzīgās konstrukcijās. Lādētājs var ieslēgties.
- Neļiet akumulatora lādētāju ar ūdeni.
- Akumulatora lādētāju drīkst izmantot bērni no 8 gadu vecuma un cilvēki ar ierobežotām fiziskām, sensorām vai garīgām spējām vai bez pieredzes un zināšanām tikai atbildīgās personas uzraudzībā vai pēc akumulatora lādētāja drošas lietošanas norādījumu saņemšanas un iespējamo risku izprašanas. Bērni nedrīkst spēlēt ar akumulatora lādētāju. Ierīces tīrīšanu un apkopi bērni drīkst veikt tikai atbildīgās personas uzraudzībā.
- Neizmantojiet akumulatora lādētāju tādu akumulatoru uzlādei, kas nav atkārtoti uzlādējami.
- Nelietojiet akumulatora lādētāju viegli uzliesmojošu materiālu vai materiālu, kas var izraisīt koroziju, tuvumā. Nepārklājiet akumulatora lādētāju. Ja konstatējat dūmus vai uguni, izraujiet akumulatora lādētāja kontaktspraudni.
- Nelietojiet bojātu akumulatora lādētāju.
- Uzlādējiet akumulatoru tikai tādās telpās, kur ir laba gaisa plūsma un nav saules gaismas. Neuzlādējiet akumulatoru mitrumā.

## Tehnikās apkopes drošības norādījumi



**BRĪDINĀJUMS:** Pirms ierīces lietošanas izlasiet zemāk minētos norādījumus.

- Lai nepieļautu nejašu iedarbināšanu apkopes laikā, pagrieziet drošības atslēgu stāvoklī "0" un izņemiet akumulatoru. Uzgaidiet vismaz 5 sekundes, pirms sākat tehniko apkopi.
- Veiciet tehnisko apkopi pareizi, lai palielinātu produkta darbību un samazinātu nelaimes gadījumu risku. Uzticiet remontdarbu veikšanu pilnvarotam apkopes dienesta pārstāvim. Lai saņemtu papildinformāciju, sazinieties ar tuvāko apkopes dienesta pārstāvi.
- Veiciet tikai tos tehniskās apkopes darbus, kas norādīti lietošanas rokasgrāmatā. Sarežģītāki darbi ir jāveic pilnvarotam apkopes dienesta pārstāvim.
- Nenoveiciet un nepārveidojiet drošības ierīces, lai neradītu traumas.

- Lietojot zāliena skarifikatora aprīkojumu, uzvelciet izturīgus cimdus. Zāliena skarifikatora aprīkojums ir ļoti ass, un ar to var viegli sagriezties.
- Uzturiet zāliena skarifikatora aprīkojuma zarus asus un tīrus, lai nodrošinātu labāko un drošāko darbību.
- Ļaujiet pūtēju regulāri pārbaudīt apkopes dienesta darbiniekiem un veikt nepieciešamos regulēšanas un remonta darbus.
- Nomainiet bojātās, nodilušās un salūzušās detaļas. Izmantojiet tikai oriģinālās ražotāja rezerves daļas. Citas rezerves daļas var izraisīt pūtēja bojājumus un palielināt negadījumu risku.
- Ievērojiet piederumu maiņas norādījumus. Lietojiet tikai ražotāja apstiprinātos piederumus.
- Kad pūtēju neizmantojat, turiet to, akumulatoru un akumulatora lādētāju atstatu vienu no otra sausās un slēgtās telpās. Nodrošiniet, lai bērni un nepiederošas personas nepieklūst pūtējam, akumulatoram vai akumulatora lādētājam.

## Montāža

### Ievads



**BRĪDINĀJUMS:** Pirms produkta montāžas izlasiet sadaļu par drošību.



**BRĪDINĀJUMS:** Lai nepieļautu nejašu iedarbināšanu montāžas laikā, pagrieziet drošības atslēgu pozīcijā "0", izņemiet akumulatoru un nogaidiet vismaz 5 sekundes.

### Roktura montāža

1. Atļaidiet apakšējos fiksatorus.
2. Pārvietojiet fiksatorus uz rievu apakšējo galu izstrādājuma kreisajā un labajā pusē. (Att. 22)
3. Iestādiet roktura augstumu vienā no diviem pieejamiem stāvokļiem.

4. Pārvietojiet fiksatorus uz augšu roktura virzienā, līdz tie apstājas un atskan klikšķis. (Att. 23)
5. Pilnībā pievelciet fiksatorus.

### Zāles uztvērēja montāža

1. Piestipriniet zāles uztvērēja rāmi zāles maisam tā, lai maisa stingrā daļa būtu apakšā. Nodrošiniet, lai rāmja rokturis ir zāles maisa augšdaļā. (Att. 24)
2. Iestipriniet zāles uztvērēja rāmja apakšdaļu zāles uztvērēja apakšdaļas rievā.
3. Piestipriniet zāles maisu zāles uztvērēja rāmim ar spailēm. (Att. 25)
4. Paceliet aizmugurējo pārsegu.
5. Novietojiet zāles uztvērēju pareizā stāvoklī. (Att. 26)
6. Piestipriniet zāles uztvērēju šasijas augšmalai. Pārbaudiet, vai aizmugurējais pārsegs blīvi saskaras ar zāles uztvērēju, lai nepieļautu noplūdi. (Att. 27)

## Lietošana

### Ievads



**BRĪDINĀJUMS:** Pirms sākat darbu ar produktu, izlasiet nodaļu par drošību un pārliecinieties, vai saprotat to.

### Husqvarna Connect

Husqvarna Connect ir bezmaksas lietotne jūsu mobilajai ierīcei. Lietotne Husqvarna Connect nodrošina paplašinātas funkcijas jūsu Husqvarna izstrādājumam:

- Paplašināta izstrādājuma informācija.
- Informācija par izstrādājuma daļām un apkopi un palīdzība ar to.



## Lai sāktu izmantot Husqvarna Connect

1. Lejupielādējiet Husqvarna Connect lietotni savā mobilajā ierīcē.
2. Reģistrējieties Husqvarna Connect lietotnē.
3. Izpildiet Husqvarna Connect lietotnē sniegtos norādījumus, lai savienotu un reģistrētu produktu.

## Darba dziļuma iestatīšana



**BRĪDINĀJUMS:** Lietojot izstrādājumu, neregulējiet darba dziļumu.

1. Nospiediet un grieziet regulatoru pretēji pulksteņrādītāju kustības virzienam, lai palielinātu darba dziļumu.
2. Nospiediet un grieziet regulatoru pulksteņrādītāju kustības virzienā, lai samazinātu darba dziļumu. (Att. 28)

## Akumulators



**BRĪDINĀJUMS:** Pirms izmantojat akumulatoru, izlasiet nodaļu par drošību un pārliecinieties, vai saprotat to. Izlasiet arī akumulatora un akumulatora lādētāja komplektā iekļauto lietotāja rokasgrāmatu un pārliecinieties, vai izprotat to.

Glabājiet akumulatoru un tā lādētāju pareizā apkārtējās vides temperatūrā.

	Apkārtējās vides temperatūra
Akumulatora darbīnāšana	5–40 °C
Akumulatora uzlāde	5–40 °C

## Akumulatora statuss

Displejā ir redzams akumulatora atlikušais uzlādes līmenis un akumulatora kļūdu ziņojumi. Nospiediet akumulatora indikatora pogu, lai saņemtu informāciju par akumulatora uzlādes stāvokli. Ja radusies kļūda, iedegas akumulatora brīdinājuma simbols. Skatiet šeit: *Akumulators lpp. 244.*

(Att. 29)

LED indikatori	Akumulatora statuss
Deg visi LED indikatori	Pilnībā uzlādēts (76–100%)
Deg 1., 2. un 3. LED indikators	Akumulatora uzlādes līmenis ir 51–75%.
Deg 1. un 2. LED indikators	Akumulatora uzlādes līmenis ir 26–50%.

LED indikatori	Akumulatora statuss
Deg 1. LED indikators	Akumulatora uzlādes līmenis ir 6–25%.
Mirgo 1. LED indikators	Akumulatora uzlādes līmenis ir 0–5%.

## Akumulatora uzlāde

Pirms pirmās lietošanas reizes uzlādējiet akumulatoru. Akumulators ir tikai 30% uzlādēts, kad tiek piegādāts klientam.

**Piezīme:** Pievienojiet akumulatora lādētāju strāvas avotam, kura spriegums un frekvence atbilst uz datu plāksnītes norādījumiem.

Akumulators netiek lādēts, ja tā temperatūra pārsniedz 50 °C. Akumulatora lādētājs samazina akumulatora temperatūru, pirms tiek sāta uzlāde.

1. Savienojiet vienu akumulatora lādētāja strāvas vada galu ar akumulatora lādētāja līgzdu.
2. Savienojiet akumulatora lādētāja strāvas vada otru galu ar zemētu kontaktlīgzdu. Vienreiz iemirgosies akumulatora lādētāja zaļais LED indikators. (Att. 30)
3. Ievietojiet akumulatoru lādētājā. Kad akumulators ir pareizi savienots ar akumulatora lādētāju, tajā deg zaļais indikators. (Att. 31)
4. Kad deg visi akumulatora LED indikatori, akumulators ir pilnībā uzlādēts. Akumulatora uzlādes laiks nedrīkst pārsniegt 24 stundas.
5. Lai atvienotu akumulatora lādētāju no kontaktlīgzdas, velciet kontaktdakšu, nevis strāvas vadu.
6. Izņemiet akumulatoru no lādētāja.

## Izstrādājuma iedarbināšana

1. Ievietojiet uzlādētu akumulatoru 1. akumulatora nodalījumā zem akumulatora pārsega. Lai nodrošinātu ilgāku darbību, ievietojiet otru uzlādētu akumulatoru 2. akumulatora nodalījumā.
2. Pagrieziet drošības atslēgu stāvoklī "1". (Att. 32)
3. Stāviet aiz izstrādājuma.
4. Nospiediet vadības paneļa ieslēgšanas/izslēgšanas pogu (A), un iedegsies zaļas krāsas gaismas diodes indikators (B). (Att. 33)
5. Atbrīvojiet iedarbināšanas ierobežotāju. (Att. 34)
6. Nospiediet motora bremžu rokturi roktura virzienā. (Att. 35)

## SavE funkcijas izmantošana

Izstrādājumam ir akumulatora enerģijas taupīšanas funkcija (SavE), kas nodrošina ilgāku akumulatora darbības laiku.

1. Nospiediet pogu SavE (A), lai sāktu izmantot funkciju. Iedegsies zaļās krāsas gaismas diodes indikators. (Att. 36)
2. Vēlreiz nospiediet pogu SavE (A), lai pārtrauktu izmantot funkciju. Zaļās krāsas gaismas indikators (B) nodzīsīs.

bremzes rokturi, pagrieziet drošības atslēgu stāvoklī 0, izņemiet akumulatoru un uzgaidiet vismaz 5 sekundes. Pastāv traumas gušanas risks, ja šķērsliis tiek noņemts un zāles plāvējs nejauši sāk darboties.

## Lielas slodzes funkcija

Ja ar produktu tiek griezta gara vai mitra zāle, dzinējs automātiski palielina apgriezienu skaitu. Kad liela jauda nav nepieciešama, dzinējs pāriet atpakaļ standartā režīmā.

## Motora noslāpšana

Darbības laikā asmens un motors var īslaicīgi apstāties šķēršļu dēļ, piemēram, uzkrājoties zālei zem plaušanas pārsega. Ja tā notiek un motora bremzes rokturis ir nospiests, zāles plāvējs mēģina automātiski atsākt darbību. Ja zāles plāvējs neatsāk darboties 5–10 sekunžu laikā, var būt nepieciešams iztīrīt plaušanas pārsega apakšdaļu. Ja mirgo brīdinājuma indikators (C), informāciju par ieteicamo tukšgaitas ātrumu skatiet šeit: *Produkta tīrīšana lpp. 243.*



**BRĪDINĀJUMS:** Ja motors apstājas, zāles plāvējs automātiski mēģina atsākt darbu pēc 5–10 sekundēm. Nogaidiet vismaz 15 sekundes un tikai tad veiciet plaušanas pārsega pārbaudi.



**BRĪDINĀJUMS:** Pirms plaušanas pārsega pārbaudes atļaidiet motora

## Zāles plāvēja apturēšana

Produkts tiek automātiski apturēts, ja to neizmanto 10 minūtes. Nekad neatstājiet produktu bez uzraudzības motora darbības laikā. Izslēdziet dzinēju, pagrieziet drošības atslēgu pozīcijā "0" un izņemiet akumulatoru. Pārliecinieties, ka zāliena skarifikatora aprīkojums negriežas.

1. Atļaidiet motora bremzes rokturi, lai apturētu motoru. (Att. 37)
2. Nospiediet vadības paneļa ieslēgšanas/izslēgšanas pogu (A), un zaļās krāsas gaismas diodes indikators (B) nodzīsīs. (Att. 33)
3. Atveriet akumulatora pārsegu un pagrieziet drošības atslēgu stāvoklī "0". (Att. 38)
4. Lai izņemtu akumulatoru, vienlaikus nospiediet abas atbrīvošanas pogas un izņemiet akumulatoru. (Att. 39)
5. Ja akumulatora uzlādes līmenis ir nepietiekams, uzlādējiet akumulatoru. Papildinformāciju skatiet šeit: *Akumulatora uzlāde lpp. 241.*

## Apkope

### Ievads



**BRĪDINĀJUMS:** Pirms veicat apkopi, izlasiet nodaļu par drošību un pārliecinieties, vai izprotat to.

Lai veiktu visus izstrādājuma apkopes un remonta darbus, ir nepieciešama īpaša apmācība. Mēs garantējam profesionāla remonta un apkopes pieejamību. Ja jūsu izplatītājs nav servisa pārstāvis, vērsieties pie viņa, lai iegūtu informāciju par tuvāko servisa pārstāvi.

Papildinformāciju skatiet šeit: [www.husqvarna.com](http://www.husqvarna.com).

### Tehniskās apkopes grafiks

Apkopes intervāli tiek aprēķināti atbilstoši zāles plāvēja ikdienas lietošanai. Intervāli mainās, ja zāles plāvēju neizmanto katru dienu.

Informāciju par apkopes darbiem, kas atzīmēti ar zvaigznīti \*, skatiet šeit: *Izstrādājuma drošības ierīces lpp. 238.*

S 138I	Katrā lietošanas reizē	Reizi mēnesī	Katru sezonu
Veiciet vispārīgu pārbaudi.	X		
Notīriet produktu.	X		
Pārbaudiet zāliena skarifikatora aprīkojumu.	X		

S 138i	Katrā lietošanas reizē	Reizi mēnesī	Katru sezonu
Pārlicinieties, ka produkta drošības ierīces nav bojātas. *	X		
Pārbaudiet pārsegi. *	X		
Pārbaudiet motora bremžu rokturi. *	X		
Pārbaudiet iedarbināšanas ierobežotāju. *	X		
Pārlicinieties, vai ieslēgšanas/izslēgšanas poga darbojas pareizi un nav bojāta.	X		
Pārbaudiet, vai akumulators nav bojāts.	X		
Pārbaudiet akumulatora uzlādi.	X		
Pārlicinieties, vai akumulatora atbrīvošanas pogas darbojas pareizi un vai produkta akumulators tiek fiksēts vietā.	X		
Pārbaudiet, vai akumulators nav bojāts un darbojas pareizi.		X	
Pārbaudiet savienojumus starp akumulatoru un zāles plāvēju. Pārbaudiet arī savienojumu starp akumulatoru un akumulatora lādētāju.			X

## Vispārējās pārbaudes veikšana

- Pārlicinieties, vai uzgriežņi un skrūves uz izstrādājuma ir cieši pievilkti.
- Pārlicinieties, vai produkta kabeli nav novietoti tā, ka tie var tikt bojāti.

## Produkta tīrīšana

- Plastmasas daļas notīriet ar tīru un sausu drāniņu.
- Produkta tīrīšanai neizmantojiet ūdeni. Ūdens var iekļūt akumulatorā vai dzinējā un rādīt issavienojumu vai produkta bojājumus.
- Produktu nedrīkst skalot ar augstspiediena ūdens strūklu.
- Nekādā gadījumā neļieiet ūdeni tieši uz dzinēja.
- Izmantojiet suku, lai notīrītu lapas, zāli un neīrumus.

## Akumulatora un akumulatora lādētāja tīrīšana



**BRĪDINĀJUMS:** Neīriet akumulatoru un tā lādētāju ar ūdeni.



**BRĪDINĀJUMS:** Akumulatora tīrīšanai neizmantojiet ķīmikālijas.

- Pirms ievietojat akumulatoru lādētājā, pārlicinieties, ka akumulators un akumulatora lādētājs ir tīrs un sauss.
- Tīriet akumulatora spailes ar saspīestu gaisu vai izmantojiet mīkstu un sausu drānu.

- Tīriet akumulatora un lādētāja virsmas ar mīkstu un sausu drānu.

## Zāliena skarifikatora aprikojuma pārbaude



**BRĪDINĀJUMS:** Lai nepieļautu nejaušu iedarbināšanu, pagrieziet drošības atslēgu stāvoklī "0", izņemiet akumulatoru un nogaidiet vismaz 5 sekundes.



**BRĪDINĀJUMS:** Veicot zāliena skarifikatora aprikojuma apkopi, lietojiet aizsargcimdus. Zāliena skarifikatora aprikojuma zari ir ļoti asi, un ar tiem var viegli sagriezties.

- Pārbaudiet, vai zāliena skarifikatora aprikojums nav bojāts vai ielplaisājis. Vienmēr nomainiet bojātu zāliena skarifikatora aprikojumu.

## Zāliena skarifikatora aprikojuma maiņa



**BRĪDINĀJUMS:** Veicot zāliena skarifikatora aprikojuma apkopi, lietojiet aizsargcimdus. Zāliena skarifikatora aprikojums ir ļoti ass, un ar to var viegli sagriezties.

1. Novietojiet izstrādājumu uz tā labā sāna. (Att. 40)
2. Izskrūvējiet abas skrūves (A) un noņemiet zāliena skarifikatora pārsegu (B). Pabīdīet zāliena skarifikatora aprikojumu (C) uz augšu un noņemiet. (Att. 41)

3. Iebīdīet zāliena skarifikatora aprīkojumu (C) rievā un uz leju atverē. Piestipriniet zāliena skarifikatora pārsegu (B), pieskrūvējot abas skrūves (A). (Att. 42)

## Problēmu novēršana

### Akumulators

LED indikators uz akumulatora	Cēlonis	Risinājums
LED indikators mirgo zaļā krāsā.	Zems akumulatora spriegums.	Uzliedziet akumulatoru. Skatiet šeit: <i>Akumulatora uzlāde lpp. 241.</i>
Mirgo akumulatora kļūdas LED indikators.	Akumulators ir pārāk auksts vai pārāk karsts, lai to lietotu.	Ļaujiet, lai akumulators atdziest, vai ienesiet to telpā, lai sasildītu. Kad akumulators ir sasniedzis pareizu temperatūru, to var atkal lietot. Izmantojiet akumulatoru zāles plāvējā tikai, ja apkārtējās vides temperatūra ir diapazonā no 5 līdz 40 °C.
	Akumulators ir tukšs.	Uzliedziet akumulatoru. Skatiet šeit: <i>Akumulatora uzlāde lpp. 241.</i>
Iedegas akumulatora kļūdas LED indikators.	Ir radusies vispārēja akumulatora kļūda.	Sazinieties ar Husqvarna apkopes sniedzēju.

### Akumulatora lādētājs

LED indikators uz akumulatora lādētāja	Cēlonis	Risinājums
Mirgo vai iedegas kļūdas LED indikators.	Akumulatora lādētājs ir pārāk auksts vai pārāk karsts, lai to lietotu.	Ļaujiet, lai akumulatora lādētājs atdziest, vai pārvietojiet lādētāju uz telpām, lai tas sasilst. Kad akumulatora lādētājs sasniedz pareizu temperatūru, to var atkal lietot. Izmantojiet akumulatora lādētāju tikai tad, ja apkārtējās vides temperatūra ir diapazonā no 5 līdz 40 °C.
	Citas kļūdas.	Sazinieties ar Husqvarna apkopes sniedzēju.

## Vadības panelis

Kļūda	Kļūdas kods (mirgošanas reižu skaits)	Iespējamās kļūmes	Iespējamā rīcība
Mirgo kļūdas gaismas diodes indikators	3	Motors ir pārslogots.	Samaziniet darba dziļumu. Skatiet šeit: <i>Darba dziļuma iestatīšana lpp. 241</i> . Ja kļūdas gaismas diodes indikators turpina mirgot, zāliena skarifikatora aprikojums ir bloķēts. Lai nepieļautu nejaušu iedarbināšanu, pagrieziet drošības atslēgu stāvoklī "0", izņemiet akumulatoru un nogaidiet vismaz 5 sekundes. Pārliecinieties, vai zāliena skarifikatora aprikojums brīvi griežas. Ja kļūme joprojām pastāv, sazinieties ar pilnvarotu apkopes dienesta pārstāvi.
	5	Motora apgriezību skaits būtiski samazinās, un motors apstājas.	
	9	Motora vadības bloks ir pārāk karsts	
	7	Akumulatora kļūda vai netiek saņemts signāls no akumulatora.	
		Zems akumulatora uzlādes līmenis.	Uzlādējiet akumulatoru. Skatiet šeit: <i>Akumulatora uzlāde lpp. 241</i> .
Produkts izslēdzas.	6	Zems akumulatora uzlādes līmenis.	Uzlādējiet akumulatoru. Skatiet šeit: <i>Akumulatora uzlāde lpp. 241</i> .
	Indikatori nemirgo.	Akumulatora savienotāja kļūda.	Pārbaudiet akumulatora savienotāju.
Citas kļūdas	Ja rodas citas kļūdas, pagrieziet drošības atslēgu stāvoklī "0", izņemiet akumulatoru un sazinieties ar apstiprinātu apkopes dienesta pārstāvi.		

## Pārvadāšana, glabāšana un utilizēšana

### Ievads



**BRĪDINĀJUMS:** Lai nepieļautu nejaušu iedarbināšanu transportēšanas un uzglabāšanas laikā, pagrieziet drošības atslēgu stāvoklī "0", izņemiet akumulatoru un uzgaidiet vismaz 5 sekundes.

- Transportēšanas laikā izņemiet akumulatoru.
- Uzlieciet lenti uz akumulatora savienotājiem un pārliecinieties, vai akumulators transportēšanas laikā nevar kustēties.
- Transportēšanas laikā nostipriniet produktu.

### Uzglabāšana

### Transportēšana

- Uz iekļautajiem lītija jonu akumulatoriem attiecas likumu prasības par bīstamajām precēm.
- Komerčiālai transportēšanai ir jāievēro īpašās prasības uz iepakojuma un uzlīmēm.
- Noteikti ievērojiet noteikumus, kas attiecas uz bīstamiem materiāliem, kad produktu sagatavojat transportēšanai. Spēkā var būt vietēji noteikumi.

- Pirms uzglabāšanas vienmēr izņemiet akumulatorus.
- Pirms novietojat produktu glabāšanai, ļaujiet tam atdzist.
- Lai nepieļautu negadījumus, produkta uzglabāšanas laikā akumulatoram ir jābūt atvienotam no tā.
- Turiet akumulatora lādētāju slēgtā un sausā vietā.
- Turiet akumulatoru un akumulatora lādētāju sausā vietā, kur nav mitruma vai sala.
- Pirms uzglabāšanas atvienojiet akumulatoru no akumulatora lādētāja.

- Neglabājiet akumulatoru vietās, kur var rasties statiskā elektrība. Neglabājiet akumulatoru metāla kārbā.
- Uzglabājiet produktu vietā, kur apkārtējā temperatūra ir diapazonā no -10 °C līdz 40 °C.
- Akumulatoru glabājiet vietā, kur temperatūra ir no 5 °C līdz 25 °C un uz to neiedarbojas tieši saules stari.
- Akumulatora lādētāju glabājiet vietā, kur temperatūra ir no 5 °C līdz 45 °C un uz to neiedarbojas tieši saules stari.
- Akumulatora uzlādes līmenim pirms ilgstošas glabāšanas jābūt 30–50%.
- Glabājiet produktu, akumulatoru un akumulatora lādētāju slēgtā vietā, kas nav pieejama bērniem un nepiederošām personām.
- Notīriet zāles plāvēju un pārliecinieties, ka zāles savācējs ir tukšs.
- Veiciet tikai tās apkopes darbības, kas norādītas lietotāja rokasgrāmatā. Skatiet šeit: *Tehniskās apkopes grafiks lpp. 242.*

- Pirms ilgstošas uzglabāšanas veiciet pilnu apkopi.

## Atbrīvošanās no produkta

Simboli uz produkta vai tā iepakojuma norāda, ka no šī produkta nedrīkst atbrīvoties kā no sadzīves atkritumiem. Tas ir jānodod atbilstošā elektrisko un elektronisko ierīču pārstrādes uzņēmumā.

Nodrošinot, ka šis izstrādājums tiek pareizi pārstrādāts, varat palīdzēt novērst iespējamo negatīvo ietekmi uz vidi un cilvēkiem. Pretējā gadījumā tiek veikta nepareiza šī izstrādājuma utilizēšana. Lai uzzinātu vairāk par šī izstrādājuma pārstrādi, sazinieties ar vietējo pašvaldību, atkritumu pārstrādes uzņēmumu vai veikalu, kurā iegādājāties šo izstrādājumu.

(Att. 43)

## Tehniskie dati

### Tehniskie dati

<b>S 138i</b>	
<b>Motors</b>	
Motora tips	BLDC (bezsuksu) 36 V
Palīgierīces ātrums — SavE, apgr./min	3000
Palīgierīces ātrums — nominālais, apgr./min	3200
Motora jauda — maks., kW	1,28
Motora jauda — nominālā, kW	0,9
<b>Svars</b>	
Svars bez maisa (bez akumulatora), kg	19,5
Svars ar maisu (ietverts 1 x BLi30), kg	23
<b>Akumulators</b>	
Akumulatora tips	Husqvarna akumulatoru sērija
<b>Akumulatora darbības laiks</b>	
Akumulatora darbības laiks, minimālais (brīvgaita), ar ieslēgtu SavE funkciju un vienu Husqvarna 7,5 Ah akumulatoru (BLi30).	195
Akumulatora darbības laiks, minimālais (brīvgaita) ar ieslēgtu standarta režīmu un vienu Husqvarna 7,5 Ah akumulatoru (BLi30).	175
<b>Trokšņa emisija</b> <sup>43</sup>	

<sup>43</sup> Atbilstoši EK direktīvai 2000/14/EK trokšņa emisija apkārtnei ir mērīta kā akustiskā jauda ( $L_{WA}$ ).

<b>S 138i</b>	
Skaņas jaudas līmenis, izmērītais dB (A)	89
Skaņas jaudas līmenis, garantētais L <sub>WA</sub> dB (A)	91
<b>Skaņas līmeņi</b> <sup>44</sup>	
Skaņas spiediena līmenis pie operatora auss, dB(A)	75
<b>Vibrācijas līmeņi</b> <sup>45</sup>	
Rokturis, m/s <sup>2</sup>	5,5
<b>Lietošana</b>	
Darba dziļums, maks./min., mm	-8/+5
Darba platums, cm	37,5
Asmeņu zaru stiprinājums	5973510-01
Atsperu zaru stiprinājums	5973509-01
Zāles uztvērēja tilpums, litros	45

Apstiprinātie akumulatori	Tips	Akumulatora ietilpība, Ah	Spriegums (V)	Svars, mārciņas/kg
BLi30	Litija jonu	7,5	36	4,2/1,9
40-B140	Litija jonu	4,0	36	2,6/1,2

Apstiprinātie lādētāji norādītajiem akumulatoriem, BLi	Ieejas spriegums, V	Frekvence, Hz	Jauda, W
40-C80	100–240	50–60	68,8
QC250	220–240	50	250

<sup>44</sup> Iesniegtajiem datiem par trokšņa spiediena līmeni ir 1,5 dB(A) nenoteiktības koeficients (K).

<sup>45</sup> Iesniegtajiem datiem par vibrācijas līmeni ir 1,5 m/s<sup>2</sup> nenoteiktības koeficients (K). Kopējā noteiktā vibrāciju vērtība ir mērīta pēc standarta EN 62841-4-7 I pielikuma, un to var izmantot instrumentu iekārtu savstarpējai salīdzināšanai un pakļaušanas iedarbībai sākotnējā novērtējumā.

---

## Atbilstības deklarācija

---



## ES atbilstības deklarācija

Mēs, **Husqvarna AB**, SE-561 82 Huskvarna, Zviedrija,  
tālr. +46-36-146500, ar pilnu atbildību apliecinām, ka šis  
produkts:

<b>Apraksts</b>	Skarifikators
<b>Zīmols</b>	Husqvarna
<b>Tips/modelis</b>	S 138i
<b>Identifikācija</b>	Sākot ar 2023. gada sērijas numuriem

pilnībā atbilst šādām ES direktīvām un noteikumiem:

Direktīva/regula	Apraksts
2011/65/ES	"par dažu bīstamu vielu izmantošanas ierobežošanu elektriskās un elektroniskās iekārtās"
2006/42/EK	"par mehānismiem"
2014/30/ES	par elektromagnētisko savietojamību
2000/14/EK	"par trokšņa emisiju vidē"

un ir ievēroti zemāk norādītie saskaņotie standarti  
un/vai tehniskie dati: EN 62841-1:2015/A11:2022, EN  
IEC 62841-4-7:2022/A11:2022, EN ISO 12100:2010,  
EN 55014-1:2017/A11:2020, EN 55014-2:2015, EN IEC  
63000:2018.

Informāciju par trokšņa emisiju skatiet šeit: *Tehniskie  
dati lpp. 246.*

Huskvarna, 2023-12-30



Claes Losdal

Nodaļas vadītājs/dārzkopības produkti

Husqvarna AB

Atbildīgais par tehnisko dokumentāciju



---

## Inhoud

---

Inleiding.....	250	Probleemoplossing.....	260
Veiligheid.....	251	Vervoer, opslag en verwerking.....	261
Montage.....	256	Technische gegevens.....	262
Werking.....	257	Verklaring van overeenstemming.....	264
Onderhoud.....	258		

---

## Inleiding

---

### Productbeschrijving

Het product is een handbediende elektrische verticuteermachine. Het product verwijdert dood materiaal van het gazon en maakt de grond los zodat water en lucht het gazon in kunnen. Het dode materiaal wordt verzameld in een grasopvangbak of op het gazon geplaatst. Het product heeft 2 typen verticuteerapparatuur.

### Verticuteerapparatuur

Raadpleeg *De verticuteerapparatuur vervangen op pagina 260* voor informatie over het vervangen van de verticuteerapparatuur.

### Bladtanden

De bladtanden verwijderen dood materiaal en maaien de graswortels verticaal. Gebruik de bladtanden op

hellingen, terrassen en in bodems met een groot kleigehalte. De bladtanden zorgen dat water in het gazon terecht komt en zich niet ophoopt op het oppervlak

(Fig. 17)

### Veertanden

De veertanden verwijderen dood gras en ander dood materiaal zorgvuldig uit het gazon zonder de graswortels te beschadigen.

(Fig. 18)

### Gebruik

Gebruik het product om dood materiaal en mos te verwijderen en de grond los te maken in particuliere tuinen. Gebruik het product niet voor andere taken.

### Productoverzicht

(Fig. 1)

1. Remhendel van de motor
2. Bovenste hendel
3. Bedieningspaneel
4. Startvergrendeling
5. Onderste hendel
6. Grasopvangbak
7. Achterklep
8. Afdekking van de verticuteermachine
9. Accudeksel
10. Afstelknop voor de werkdiepte
11. Veiligheids sleutel
12. ON/OFF-indicatieled
13. ON/OFF-knop
14. SavE-knop
15. SavE-indicatieled
16. Indicatielampje acculading en accuknop
17. Veertanden
18. Accu (accessoire)
19. Acculader (accessoire)
20. Inbussleutel
21. Gebruikershandleiding

### Symbolen op het product

- (Fig. 2)      WAARSCHUWING
- (Fig. 3)      Lees de instructies.
- (Fig. 4)      WAARSCHUWING - Pas op voor weggeslingerde voorwerpen.
- (Fig. 5)      Houd omstanders uit de buurt.
- (Fig. 6)      WAARSCHUWING - Houd uw handen en voeten uit de buurt van de tanden.
- (Fig. 7)      Koppel de accu voorafgaand aan het onderhoud los.
- (Fig. 8)      Stel het product niet bloot aan regen.
- (Fig. 9)      Dit product biedt bescherming tegen opspattend water.
- (Fig. 10)     Dit product voldoet aan de geldende EG-richtlijnen.

(Fig. 11) Dit product voldoet aan de geldende VK-regelgeving.

(Fig. 12) Geluidsemisaties naar het omgevingslabel volgens de richtlijnen en voorschriften van de EU en het VK en de wetgeving van Nieuw-Zuid-Wales "Protection of the Environment Operations (Noise Control) Regulation 2017". Het gegarandeerde geluidsvermogensniveau van het product staat vermeld in *Technische gegevens op pagina 262* en op het label.

(Fig. 15) Lever dit product in bij een recyclepunt voor elektrische en elektronische apparatuur. (Alleen geldig voor Europa)

(Fig. 16) Startprocedure: druk op de ON/OFF-knop, maak de startvergrendeling los, druk de remhendel van de motor omlaag.

(Fig. 13) Laat de remhendel van de motor los om te stoppen.

(Fig. 14) Scanbare code.

---

**Let op:** Andere symbolen/stickers op het product hebben betrekking op certificeringseisen voor bepaalde markten.

---

## Schade aan het product

We zijn niet verantwoordelijk voor schade aan ons product als:

- het product niet goed is gerepareerd.
- het product is gerepareerd met onderdelen die niet van de fabrikant afkomstig zijn, of onderdelen die niet zijn goedgekeurd door de fabrikant.
- het product een accessoire bevat dat niet afkomstig is van de fabrikant of niet is goedgekeurd door de fabrikant.
- het product niet is gerepareerd door een erkend servicepunt of door een erkende autoriteit.

---

## Veiligheid

---

### Veiligheidsdefinities

Waarschuwingen, voorzorgsmaatregelen en opmerkingen worden gebruikt om te wijzen op belangrijke delen van de handleiding.



**WAARSCHUWING:** Wordt gebruikt om te wijzen op de kans op ernstig of fataal letsel voor de gebruiker of omstanders wanneer de instructies in de handleiding niet worden gevolgd.



**OPGELET:** Wordt gebruikt indien er een risico bestaat op schade aan het product en andere eigenschappen of aan de omgeving wanneer de instructies in de handleiding niet worden gevolgd.

---

**Let op:** Geven verdere informatie die nodig is in een bepaalde situatie.

---

### Algemene productveiligheidswaarschuwingen



**WAARSCHUWING:** Lees alle veiligheidswaarschuwingen, instructies, illustraties en specificaties die worden meegeleverd met dit product. Het niet opvolgen van ieder van de onderstaande

instructies kan leiden tot elektrische schokken, brand en/of ernstig letsel.

---

**Bewaar alle waarschuwingen en instructies voor later gebruik.** De term "product" in de waarschuwingen verwijst zowel naar producten die op het lichtnet (met snoer) werken als producten die met een accu (snoerloos) werken.

### Veiligheid van het werkgebied

- **Zorg ervoor dat de werkplek schoon en goed verlicht is.** In rommelige of donkere gebieden gebeuren eerder ongelukken.
- **Gebruik het product niet in een explosiegevaarlijke omgeving, bijv. in de buurt van ontvlambare vloeistoffen, gassen of stof.** Het product creëert vonken waardoor het stof of de dampen kunnen ontbranden.
- **Houd kinderen en omstanders op afstand wanneer u het product gebruikt.** U kunt de controle over het apparaat verliezen als u afgeleid wordt.

### Persoonlijke veiligheid

- **Wees altijd alert, kijk wat u doet en gebruik uw gezonde verstand wanneer u het product gebruikt. Gebruik het product niet als u moe bent of onder invloed bent van drugs, alcohol of medicijnen.** Een moment van onoplettendheid tijdens het gebruik van producten kan ernstig lichamelijk letsel tot gevolg hebben.

- **Maak altijd gebruik van persoonlijke beschermingsmiddelen. Draag altijd oogbescherming.** Beschermingsmiddelen zoals een stofmasker, veiligheidsschoenen met antislipprofiel, een veiligheidshelm of gehoorbescherming in relevante werkomstandigheden beperken letsel.
- **Voorkom een onbedoelde start. Zorg ervoor dat de schakelaar in de stand OFF staat voordat u het product aansluit op een spanningsbron en/of accupack, oppakt of draagt.** Het dragen van producten met uw vinger op de schakelaar of het onder spanning zetten van producten waarvan de schakelaar op aan staat, kan makkelijk leiden tot ongelukken.
- **Verwijder eventuele (instel)sleutels voordat u het product inschakelt.** Een sleutel die is bevestigd aan een draaiend onderdeel van het product kan persoonlijk letsel tot gevolg hebben.
- **Voorkom overstrekken. Zorg dat u te allen tijde stevig en in balans staat.** Hierdoor hebt u een betere controle over het product in onverwachte situaties.
- **Draag geschikte kleding. Draag geen losse kleding of sieraden. Houd uw haar en kleding uit de buurt van bewegende onderdelen.** Losse kleding, sieraden of lang haar kunnen verstrikt raken in bewegende onderdelen.
- **Als de mogelijkheid bestaat voor het opvangen van stof moet u ervoor zorgen dat deze is aangesloten en op de juiste wijze wordt gebruikt.** Het gebruik van stofopvang kan stofgerelateerde gevaren beperken.
- **Laat de vertrouwdeheid met de door u gebruikte producten door het frequente gebruik ervan niet toe leiden dat u de veiligheidsprincipes negeert.** Een onzorgvuldige handeling kan binnen een fractie van een seconde leiden tot ernstig letsel.

## Gebruik en onderhoud van het product

- **Forceer het product niet. Gebruik het juiste product voor de toepassing.** Het juiste product voert de werkzaamheden waarvoor het is ontworpen beter en veiliger uit.
- **Gebruik het product niet als de On/Off-schakelaar niet werkt.** Producten die niet bediend kunnen worden met de schakelaar zijn gevaarlijk en moeten gerepareerd worden.
- **Haal de stekker uit het stopcontact en/of verwijder het accupack, indien verwijderbaar, van het product voordat u aanpassingen maakt, accessoires verwisselt of producten opbergt.** Dergelijke preventieve veiligheidsmaatregelen verlagen het risico op het onbedoeld starten van het product.
- **Berg producten die u niet nodig hebt op buiten het bereik van kinderen en laat personen die onbekend zijn met het product of deze instructies niet werken met het product.** Producten zijn gevaarlijk in handen van ongetrainde gebruikers.
- **Onderhoud de producten en de accessoires. Controleer het apparaat op verkeerde uitlijning of bevestiging van bewegende onderdelen, breuk van onderdelen en andere condities die de werking van**

**het product negatief kunnen beïnvloeden. Als het product is beschadigd, moet u het laten repareren voordat u het gebruikt.** Veel ongelukken worden veroorzaakt door slecht onderhouden producten.

- **Houd snijgereedschappen scherp en schoon.** Goed onderhouden snijgereedschappen met scherpe snijranden zullen minder gauw vastlopen en zijn eenvoudiger onder controle te houden.
- **Gebruik het product, de accessoires, gereedschapsbits en dergelijke in overeenstemming met deze instructies en houd hierbij rekening met de werkomstandigheden en het type krus dat moet worden uitgevoerd.** Als u het product voor andere toepassingen gebruikt dan waarvoor het is bedoeld, kan er een gevaarlijke situatie ontstaan.
- **Houd de handgrepen en grijppoppervlakken droog, schoon en vrij van olie en vet.** Als handgrepen en grijppoppervlakken glad zijn, kan dit ervoor zorgen dat het product in onverwachte situaties niet veilig kan worden gehanteerd en bediend.

## Gebruik en onderhoud van gereedschap met accu

- **Laad het gereedschap alleen op met de lader die door de fabrikant is gespecificeerd.** Een lader die voor een bepaald type accu geschikt is, kan een risico op brand creëren als de lader met een andere accu wordt gebruikt.
- **Gebruik producten enkel met de specifiek hiervoor bedoelde accupacks.** Als er andere accupacks worden gebruikt, bestaat er risico op letsel en brand.
- **Als het accupack niet gebruikt wordt, houd hem dan uit de buurt van andere metalen voorwerpen, zoals paperclips, munten, sleutels, spijkers, schroeven of andere kleine metalen voorwerpen die een verbinding tussen de twee klemmen kunnen maken.** Als er kortsluiting tussen de accuaansluitingen ontstaat, kunnen er brandwonden of brand ontstaan.
- **Als het accupack verkeerd wordt gebruikt, kan er vloeistof uit de accu komen; zorg dat u deze niet aanraakt. Als u per ongeluk in contact komt met de vloeistof, afspoelen met water. Als er vloeistof in de ogen komt dient u medische hulp in te roepen.** Vloeistof die uit accu's loopt, kan irritatie of brandwonden veroorzaken.
- **Gebruik geen accupack of product dat beschadigd of gewijzigd is.** Beschadigde of aangepaste accu's kunnen onvoorspelbaar gedrag vertonen, wat kan leiden tot brand, explosies of letsel.
- **Stel het accupack of product niet bloot aan vuur of hoge temperaturen.** Blootstelling aan vuur of temperaturen hoger dan 130 °C kan een explosie veroorzaken.
- **Volg alle oplaadinstructies op en laad de accu of het product niet op bij temperaturen die buiten het in de instructies gespecificeerde bereik vallen.** Door onjuist opladen of opladen bij temperaturen die buiten het gespecificeerde bereik liggen, kan de accu beschadigd raken en neemt het risico op brand toe.

## Service

- **Laat uw product onderhouden door een gekwalificeerde onderhoudsmonteur met gebruikmaking van uitsluitend identieke vervangende onderdelen.** Hierdoor blijft de veiligheid van het product gehandhaafd.
- **Voer nooit onderhoud uit aan beschadigde accupacks.** Onderhoud aan accupacks mag alleen worden uitgevoerd door de fabrikant of geautoriseerde dienstverleners.

## Veiligheidsaanschuivingen voor het product

- **Gebruik het product niet bij slechte weersomstandigheden, vooral wanneer er risico op bliksem bestaat.** Dit vermindert het risico op blikseminslag.
- **Inspecteer het gebied waar het product wordt gebruikt grondig op wilde dieren.** Wilde dieren kunnen tijdens gebruik gewond raken door het product.
- **Onderwerp het gebied waar het product gebruikt gaat worden aan een grondige inspectie en verwijder alle stenen, stokken, draden, beenderen, en andere vreemde voorwerpen.** Weggeslingerde objecten kunnen lichamenlijk letsel veroorzaken.
- **Voer vóór het gebruik van het product altijd een visuele inspectie uit om te kijken of de tanden en de tandeneenheid niet versleten of beschadigd zijn.** Versleten of beschadigde onderdelen verhogen het risico op letsel.
- **Controleer de grasopvangbak regelmatig op slijtage of veroudering.** Een versleten of beschadigde grasopvangbak kan het risico op letsel verhogen.
- **Houd beschermkappen op hun plaats. Beschermkappen moeten in goede staat en correct gemonteerd zijn.** Een beschermkap die los zit, beschadigd is of niet goed functioneert, kan leiden tot lichamenlijk letsel.
- **Houd alle koelluchtinlaten vrij van vuil.** Geblokeerde luchtinlaten en vuil kunnen leiden tot oververhitting of brandgevaar.
- **Draag tijdens het gebruik van het product altijd beschermend schoeisel met antislipzool. Bedien het product niet op blote voeten of terwijl u open schoenen draagt.** Dit vermindert het risico op letsel aan de voeten door contact met de bewegende tanden.
- **Draag tijdens gebruik van het product altijd een lange broek.** Blootliggende huid verhoogt de kans op letsel door weggeslingerde voorwerpen.
- **Gebruik het product niet op nat gras. U dient uitsluitend te lopen, nooit te rennen.** Dit verkleint het risico op uitglijden en vallen, wat kan leiden tot lichamenlijk letsel.
- **Gebruik het product niet op extreem steile hellingen.** Dit verkleint het risico van controleverlies, uitglijden en vallen, wat kan leiden tot lichamenlijk letsel.
- **Wees bij het werken op hellingen altijd zeker van uw grip, werk altijd dwars over het oppervlak van**

**hellingen, nooit omhoog of omlaag en wees uiterst voorzichtig wanneer u van richting verandert.** Dit verkleint het risico van controleverlies, uitglijden en vallen, wat kan leiden tot lichamenlijk letsel.

- **Wees uiterst voorzichtig wanneer u achteruit beweegt of het product naar u toe trekt. Let altijd op uw omgeving.** Dit verlaagt het risico op struikelen tijdens het bedrijf.
- **Houd het product alleen vast bij de geïsoleerde grijppoppervlakken, aangezien de tanden verborgen bedrading of het eigen snoer kunnen raken.** Tand die in contact komen met een spanningvoerende draad kunnen blootliggende metalen onderdelen van de machine onder spanning zetten, waardoor de gebruiker een elektrische schok kan krijgen.
- **Raak tanden en andere gevaarlijke bewegende delen niet aan als ze nog bewegen.** Dit verlaagt het risico op letsel door bewegende delen.
- **Als u vastgelopen materiaal verwijderd of het product reinigt, moet u zorgen dat alle schakelaars zijn uitgeschakeld en dat het accupack is losgekoppeld.** Onverwachte inschakeling van het product kan leiden tot ernstig lichamenlijk letsel.

## Algemene veiligheidsinstructies



**WAARSCHUWING:** Lees de volgende waarschuwingen voordat u het product gaat gebruiken.

- Dit product is gevaarlijk als het verkeerd wordt gebruikt, of als u niet voorzichtig bent. Letsel of overlijden kunnen het gevolg zijn als u de veiligheidsvoorschriften negeert.
- Dit product produceert tijdens bedrijf een elektromagnetisch veld. Dit veld kan onder bepaalde omstandigheden de werking van actieve of passieve medische implantaten verstoren. Om het risico op ernstig of dodelijk letsel te beperken, raden we personen met een medisch implantaat aan om contact op te nemen met hun arts en de fabrikant van het medische implantaat alvorens dit product te gaan gebruiken.
- Wees altijd voorzichtig en gebruik uw gezond verstand. Als u niet zeker weet hoe u het product moet bedienen in een bepaalde situatie, stop dan en informeer bij uw Husqvarna dealer voordat u verdergaat.
- Denk erom dat de bediener of gebruiker verantwoordelijk is voor ongelukken of beschadigingen aan eigendommen.
- Houd het product schoon. Zorg ervoor dat u de aanduidingen en stickers duidelijk kunt lezen.
- Laat kinderen of mensen die niet bekend zijn met deze gebruiksaanwijzing het apparaat niet gebruiken. Er kunnen plaatselijke regels zijn met betrekking tot de minimumleeftijd voor het bedienen van dit apparaat.
- Houd personen met een lichamenlijke of geestelijke beperking die het product gebruiken, altijd in de

gaten. Er moet te allen tijde een verantwoordelijke volwassene aanwezig zijn.

- Gebruik het product nooit als u moe of ziek bent, of onder invloed van alcohol, drugs of medicijnen verkeert. Dit heeft een negatief effect op uw visie, alertheid, coördinatie en oordeel.
- Gebruik het product niet als het beschadigd is of niet correct werkt.
- Wijzig dit product niet of gebruik het niet als het door anderen kan zijn gewijzigd.

## Werkveiligheid



**WAARSCHUWING:** Lees de volgende waarschuwingen voordat u het product gaat gebruiken.

- Gebruik dit product alleen om een viltlaag en mos van gazons te verwijderen. Het is niet toegestaan om het product voor andere doeleinden te gebruiken.
- Maak altijd gebruik van persoonlijke beschermingsmiddelen. Raadpleeg *Persoonlijke beschermingsuitrusting op pagina 254*.
- Zorg ervoor dat u weet hoe u de motor in een noodsituatie snel kunt stoppen.
- Gebruik het product niet in regen of natte omstandigheden. Dit kan het risico op elektrische schokken verhogen.
- Gebruik dit product alleen als de tanden en alle afdekkingen juist zijn bevestigd. Verkeerd bevestigde tanden kunnen losraken en letsel veroorzaken.
- Zorg dat de tanden geen voorwerpen raken zoals stenen en wortels. Hierdoor kunnen de tanden beschadigd raken en kan de motoras verbuigen. Een gebogen as veroorzaakt zware trillingen en een zeer groot risico dat de tanden losraken.
- Stop het product onmiddellijk als de tanden een voorwerp raken of als zich trillingen voordoen. Stop de motor, zet de veiligheidssleutel in de stand "0" en verwijder de accu. Wacht tot de bewegende delen zijn gestopt. Controleer het product op schade. Zet loszittende onderdelen vast. Repareer schade en vervang beschadigde onderdelen. Laat reparaties uitvoeren door een erkende servicewerkplaats.
- Bevestig de motorremhendel nooit permanent aan de handgreep wanneer de motor wordt gestart.
- Plaats het product op een stabiele, vlakke ondergrond en start het. Zorg dat de tanden niet in aanraking komen met de grond of andere voorwerpen.
- Blijf altijd achter het product wanneer u het gebruikt.
- Zorg dat alle wielen op de grond blijven en houd 2 handen op de handgreep tijdens de bediening van het product. Houd handen en voeten uit de buurt van roterende tanden.
- Kantel het product niet als u de motor start of terwijl het product in bedrijf is.

- Wees voorzichtig wanneer u het product naar achteren trekt.
- Til het product nooit op terwijl de motor draait. Als u het product moet optillen zet u eerst de motor uit, zet u de veiligheidssleutel op 0 en verwijdert u de accu.
- Loop niet achteruit wanneer u het product bedient.
- Stop de motor als het product moet worden gekanteld voor transport of voordat u dit over gebieden zonder gras beweegt, zoals grind-, stenen- en asfaltpaden.
- Loop niet hard met het product wanneer de motor is ingeschakeld. Loop altijd rustig wanneer u het product bedient.
- Stop de motor voordat u de werkdiepte wijzigt. Voer nooit afstellingen uit terwijl de motor draait.
- Houd altijd toezicht op het product wanneer de motor draait. Stop de motor, zet de veiligheidssleutel in de stand "0" en verwijder de accu. Controleer of de verticuteermachine niet draait.
- De trillingen in het product tijdens het bedrijf kunnen anders zijn dan de opgegeven trillingswaarde in *Technische gegevens op pagina 262*. Het verschil wordt veroorzaakt door variaties in productgebruik. Als u het product regelmatig of gedurende langere tijd gebruikt, moet u regelmatig onderbrekingen inlassen om letsel door trillingen te voorkomen.

## Veiligheidsinstructies voor bediening

### Persoonlijke beschermingsuitrusting



**WAARSCHUWING:** Lees de volgende waarschuwingen voordat u het product gaat gebruiken.

- Persoonlijke beschermingsuitrusting kunnen niet alle risico's uitsluiten maar kunnen de ernst van eventueel letsel helpen beperken. Vraag uw dealer u te helpen bij het kiezen van de juiste beschermingsmiddelen.
- Gebruik zware antisliplaarzen of -schoenen. Draag geen open schoenen en loop niet op blote voeten.
- Draag een lange broek van stevige stof.
- Draag zo nodig beschermende handschoenen, bijvoorbeeld bij het monteren, inspecteren of reinigen van de snijuitrusting.
- Wij adviseren om gehoorbescherming te dragen.

### Veiligheidsvoorzieningen op het product



**WAARSCHUWING:** Lees de volgende waarschuwingen voordat u het product gaat gebruiken.

- Gebruik geen producten met veiligheidsvoorzieningen die beschadigd zijn of niet correct werken.
- Verwijder geen veiligheidsvoorzieningen en voer er geen veranderingen aan uit.

- Controleer de veiligheidsvoorzieningen regelmatig op een juiste werking. Als de veiligheidsvoorzieningen beschadigd zijn of niet goed werken, neem dan contact op met uw Husqvarna-servicewerkplaats.

## De afdekkingen controleren

De afdekking van de verticuteermachine vermindert trillingen in het product en vermindert het risico op letsel door de verticuteerapparatuur.

- Controleer de afdekking aan de zijkant van de verticuteermachine op schade, zoals barsten.
- Controleer de achterste afdekking op schade, zoals barsten.

## Remhendel van de motor

De remhendel van de motor stopt de motor. Als de remhendel van de motor wordt losgelaten, stopt de motor.

Voor een inspectie van de motorrem start u de motor en laat u de motorremhendel los. Als de motor niet binnen 3 seconden stopt, laat de motorrem dan afstellen door een erkende Husqvarna servicewerkplaats.

(Fig. 19)

## Veiligheidsleutel

De veiligheidssleutel bevindt zich onder het accudeksel. De veiligheidssleutel zorgt voor verbinding met de accu die de motor van voeding voorziet.

- Start de motor en schakel die weer uit bij wijze van controle van de veiligheidssleutel.
- Als de veiligheidssleutel naar behoren werkt, start de motor alleen wanneer de sleutel naar stand 1 wordt gedraaid.

(Fig. 20)

## Startvergrendeling onderzoeken

Controleer de startvergrendeling om er zeker van te zijn dat deze de werking van de motor voorkomt.

1. Druk de hendel van de motorrem in de richting van de handgreep. De startvergrendeling stopt de beweging.
2. Duw de startvergrendeling naar buiten. (Fig. 21)
3. Laat de startvergrendeling los en controleer of deze teruggaat naar de oorspronkelijke stand.

## Veiligheid bij accu's



**WAARSCHUWING:** Lees de volgende waarschuwingen voordat u het product gaat gebruiken.

- Gebruik uitsluitend oplaadbare batterijen van Husqvarna als voedingsbron voor gerelateerde producten van Husqvarna. Gebruik de accu niet als

voedingsbron voor andere apparaten, om letsel te voorkomen.

- Gebruik geen niet-oplaadbare accu's.
- Risico van elektrische schok. Breng de accuklemmen niet in contact met sleutels, munten, schroeven of ander metaal. Dit kan kortsluiting van de accu veroorzaken.
- Plaats geen voorwerpen in de luchtspleten van de accu.
- Bescherm de accu tegen direct zonlicht, warmte of open vuur. De accu kan exploderen en brandwonden en/of chemische brandwonden veroorzaken.
- Bescherm de accu tegen regen en vocht.
- Houd de accu uit de buurt van magnetrons en hoge druk.
- Probeer de accu niet te demonteren of te slopen.
- Als er een accu lekt, zorg er dan voor dat de vloeistof niet in aanraking komt met uw huid of ogen. Als u in aanraking bent gekomen met de vloeistof, reinig het oppervlak dan met een ruime hoeveelheid water en raadpleeg een arts.
- Gebruik de accu in het product enkel bij omgevingstemperaturen tussen 5 en 40 °C.
- Gebruik de acculader enkel bij omgevingstemperaturen tussen 5 en 40 °C.
- De accu wordt niet opgeladen als de temperatuur van de accu hoger is dan 50 °C.
- Reinig de accu of acculader nooit met water. Raadpleeg *Accu op pagina 260*.
- Gebruik geen beschadigde accu.
- Sla accu's op uit de buurt van metalen voorwerpen, bijvoorbeeld spijkers, munten en sieraden.

## Veiligheidsvoorschriften voor acculader



**WAARSCHUWING:** Lees de volgende waarschuwingen voordat u het product gaat gebruiken.

- Gebruik de QC-acculaders uitsluitend om vervangende accu's van Husqvarna op te laden.
- Gevaar voor elektrische schokken en kortsluiting. Plaats geen voorwerpen in de luchtspleten van de lader. Probeer de acculader niet te demonteren. Verbind de laadcontacten niet met metalen objecten. Gebruik een goedgekeurde wandcontactdoos.
- Dit product produceert tijdens bedrijf een elektromagnetisch veld. Dit veld kan onder bepaalde omstandigheden de werking van actieve of passieve medische implantaten verstoren. Om het risico op ernstig of fataal letsel te beperken, raden wij personen met een medisch implantaat aan om contact op te nemen met hun arts en de fabrikant van het medische implantaat voordat ze dit product gaan bedienen.
- Controleer regelmatig of de voedingskabel van de acculader niet beschadigd of gescheurd is.

- Til de acculader niet op aan de voedingskabel. Trek aan de stekker om de acculader uit de wandcontactdoos te halen. Trek niet aan de voedingskabel.
- Houd de voedingskabel en de verlengsnoeren uit de buurt van water, olie en scherpe randen. Let op dat de kabel niet bekneld raakt tussen deuren, hekken e.d. Anders kan de lader onder spanning komen te staan.
- Reinig de acculader nooit met water.
- De acculader kan worden gebruikt door kinderen vanaf 8 jaar en ouder en andere personen die ondanks hun fysieke, sensorische of geestelijke handicap of gebrek aan ervaring en kennis onder toezicht of instructie van een verantwoordelijke persoon in staat zijn veilig gebruik te maken van de acculader en op de hoogte zijn van alle gevaren. Kinderen mogen niet spelen met de acculader. Kinderen mogen het apparaat niet zonder toezicht reinigen of onderhouden.
- Laad niet-oplaadbare accu's niet op in de acculader.
- Gebruik de acculader niet in de buurt van brandbare materialen of materialen die corrosie kunnen veroorzaken. Dek de acculader niet af. Haal de stekker van de acculader uit de wandcontactdoos bij rookontwikkeling of brand.
- Gebruik geen defecte of beschadigde acculader.
- De accu mag alleen binnenshuis worden opgeladen op een plek met voldoende ventilatie en zonder direct zonlicht. Laad de accu niet op in vochtige omstandigheden.

## Veiligheidsinstructies voor onderhoud



**WAARSCHUWING:** Lees de volgende waarschuwingen voordat u het product gaat gebruiken.

- Om te voorkomen dat het product tijdens onderhoud per ongeluk wordt gestart, draait u de

veiligheidssleutel naar 0 en verwijdert u de accu. Wacht minstens 5 seconden voordat u begint met het onderhoud.

- Voer de onderhoudswerkzaamheden naar behoren uit om de levensduur van het product te verlengen en het risico op ongevallen te verlagen. Laat professionele reparaties uitvoeren door een erkende servicewerkplaats. Neem contact op met uw dichtstbijzijnde servicewerkplaats voor meer informatie.
- Voer alleen onderhoudswerkzaamheden uit zoals beschreven in deze bedieningshandleiding. Verdergaande werkzaamheden moeten door een erkende servicewerkplaats worden uitgevoerd.
- Verwijder geen veiligheidsvoorzieningen en voer er geen veranderingen aan uit, om letsel te voorkomen.
- Draag handschoenen voor zwaar gebruik wanneer u de verticuteermachine hanteert. De verticuteermachine is zeer scherp en kan gemakkelijk snijwonden veroorzaken.
- Houd de tanden van de verticuteermachine scherp en schoon voor optimale prestaties en veiligheid.
- Laat het product regelmatig controleren door uw servicewerkplaats en laat noodzakelijke aanpassingen en reparaties uitvoeren.
- Vervang beschadigde, versleten of defecte onderdelen. Gebruik altijd originele reserveonderdelen van de fabrikant. Andere reserveonderdelen kunnen het product beschadigen en het risico op ongelukken verhogen.
- Volg de instructies voor het vervangen van accessoires. Gebruik alleen accessoires van de fabrikant.
- Houd het product, de accu en de acculader, wanneer deze niet in gebruik zijn, apart in een droge, afgesloten locatie binnenshuis. Zorg dat kinderen en niet-geautoriseerde personen geen toegang hebben tot het product, de accu of de acculader.

## Montage

### Inleiding



**WAARSCHUWING:** Lees het hoofdstuk over veiligheid voordat u het product monteert.



**WAARSCHUWING:** Voorkom onbedoeld starten tijdens de montage door de veiligheidssleutel op 0 te zetten, de accu te verwijderen en ten minste 5 seconden te wachten.

2. Beweeg de knoppen naar het onderste uiteinde van de sleuven aan de linker- en rechterzijde van het product. (Fig. 22)
3. Stel de hendelhoogte af op een van de twee beschikbare posities.
4. Beweeg de knoppen omhoog naar de handgreep tot de aanslag en u een klik hoort. (Fig. 23)
5. Draai de knoppen volledig vast.

### Grasopvangbak monteren

1. Breng het frame van de grasopvangbak aan in de graszak met het stevige gedeelte van de zak aan de onderzijde. Zorg dat de hendel van het frame aan de bovenkant van de graszak blijft. (Fig. 24)

### Hendel monteren

1. Draai de onderste knoppen los.



2. Bevestig het onderste gedeelte van het frame van de grasopvangbak in de groef aan de onderzijde van de grasopvangbak.
3. Bevestig de graszak met de klemmen aan het frame van de grasopvangbak. (Fig. 25)
4. Til de achterklep op.
5. Plaats de grasopvangbak in de correcte positie. (Fig. 26)
6. Bevestig de grasopvangbak aan de bovenrand van het chassis. Zorg ervoor dat de achterste afdichting de grasopvangbak volledig afsluit om lekkage te voorkomen. (Fig. 27)

## Werking

### Inleiding



**WAARSCHUWING:** Voordat u het product gaat gebruiken, dient u het hoofdstuk over veiligheid te lezen en hebben begrepen.

### Husqvarna Connect

Husqvarna Connect is een gratis app voor uw mobiele apparaat. De Husqvarna Connect-app biedt uitgebreide functies voor uw Husqvarna-product:

- Uitgebreide productinformatie.
- Informatie over, en hulp bij, onderdelen en onderhoud van uw product.

### Husqvarna Connect gebruiken

1. Download de Husqvarna Connect-app op uw mobiele apparaat.
2. Registreer in de Husqvarna Connect-app.
3. Volg de instructies in de Husqvarna Connect-app om verbinding te maken met het product en dit te registreren.

### De werkdiepte instellen



**WAARSCHUWING:** Stel de werkdiepte niet in wanneer u het product gebruikt.

1. Duw en draai de afstelknop voor de werkdiepte linksom om de werkdiepte te vergroten.
2. Duw en draai de afstelknop voor de werkdiepte rechtsom om de werkdiepte te verkleinen. (Fig. 28)

### Accu



**WAARSCHUWING:** Voordat u het product gebruikt, dient u het hoofdstuk over veiligheid te lezen en hebben begrepen. Zorg er ook voor dat u de bedieningshandleiding bij de accu en de acculader hebt gelezen en begrepen.

Houd de accu en de acculader in de correcte omgevingstemperaturen.

	Omgevingstemperatuur
Accu gebruiken	5 °C – 40 °C
Accu laden	5 °C – 40 °C

### Accustatus

Het display geeft de resterende accucapaciteit aan en geeft aan of er problemen zijn met de accu. Druk op de accu-indicatielamp voor informatie over de laadstatus van de accu. Het waarschuwingssymbool op de accu gaat branden als er een fout is opgetreden. Raadpleeg *Accu op pagina 260*.

(Fig. 29)

Ledlampjes	Accustatus
Alle leds branden	Volledig opgeladen (76-100%)
Led 1, led 2, led 3 branden	De accu is 51%-75% opgeladen
Led 1, led 2 branden	De accu is 26%-50% opgeladen
Led 1 brandt	De accu is 6%-25% geladen.
LED 1 knippert	De accu is 0%-5% geladen.

### De accu opladen

Laad de accu voor het eerste gebruik op. De accu is slechts 30% opgeladen wanneer deze aan de klant wordt geleverd.

**Let op:** De acculader moet worden aangesloten op de spanning en frequentie die overeenkomen met de specificaties op het productplaatje.

De accu wordt niet opgeladen als de accutemperatuur hoger is dan 50°C. De acculader verlaagt de temperatuur van de accu voordat deze begint te laden.

1. Sluit een uiteinde van de voedingskabel voor de acculader aan op de aansluiting van de acculader.

2. Sluit het andere uiteinde van de voedingskabel van de acculader aan op een geaarde wandcontactdoos. De LED op de acculader licht eenmaal groen op. (Fig. 30)
3. Plaats de accu in de acculader. Het groene lampje op de lader gaat branden wanneer de accu correct is aangesloten op de acculader. (Fig. 31)
4. Wanneer alle LED's op de accu branden, is de accu volledig opgeladen. Laad de accu max. 24 uur op.
5. Om de acculader uit de wandcontactdoos los te koppelen, dient u aan de stekker, niet aan de kabel te trekken.
6. Haal de accu uit de acculader.

## Product starten

1. Plaats een opgeladen accu in accucompartiment 1 onder het accudeksel. Plaats een tweede opgeladen accu in accucompartiment 2 voor een langere bedrijfstijd.
2. Draai de veiligheidssleutel naar 1. (Fig. 32)
3. Blijf achter het product.
4. Druk op de AAN/UIT-knop (A) op het bedieningspaneel en de groene LED (B) gaat branden. (Fig. 33)
5. Maak de startvergrendeling los. (Fig. 34)
6. Druk de hendel van de motorrem in de richting van de handgreep. (Fig. 35)

## De functie SavE gebruiken

Het product heeft een accubesparingsfunctie (SavE) die voor een langere bedrijfstijd zorgt.

1. Druk op de knop SavE (A) om de functie te starten. De groene LED gaat branden. (Fig. 36)
2. Druk nogmaals op de knop SavE om de functie uit te schakelen. De groene LED (B) gaat uit.

## Functie voor hoge belasting

Als het product lang of vochtig gras maait, verhoogt de motor automatisch het toerental. De motor gaat terug naar de standaardmodus wanneer een hoge belasting niet noodzakelijk is.

## Afslaan van de motor

Tijdens het bedrijf kunnen het blad en de motor tijdelijk stoppen vanwege obstakels zoals blokkering door gras

onder de kap van het maaidek. Als dit gebeurt en u de remhendel van de motor ingedrukt houdt, zal het product proberen om automatisch opnieuw op te starten. Als het product niet binnen 5-10 seconden opnieuw wordt opgestart, kan het nodig zijn om onder de kap van het maaidek te reinigen. Zie *Product reinigen op pagina 259*.



**WAARSCHUWING:** Als de motor stopt, probeert het product gedurende 5-10 seconden automatisch opnieuw op te starten. Wacht minimaal 15 seconden voordat u de kap van het maaidek controleert.



**WAARSCHUWING:** Voordat de kap van het maaidek wordt gecontroleerd moet de remhendel van de motor worden losgelaten, moet de veiligheidssleutel naar 0 worden gezet, moet de accu worden verwijderd en moet minimaal 5 seconden worden gewacht. Er is risico op letsel als het obstakel wordt verwijderd en het product onbedoeld wordt gestart.

## Product stoppen

Het product stopt automatisch als het 10 minuten niet wordt bediend. Houd altijd toezicht op het product wanneer de motor draait. Stop de motor, zet de veiligheidssleutel in de stand "0" en verwijder de accu. Controleer of de verticuteermachine niet is beschadigd.

1. Laat de remhendel van de motor los om de motor te stoppen. (Fig. 37)
2. Houd de ON/OFF-knop (A) op het bedieningspaneel ingedrukt totdat de groene led (B) dooft. (Fig. 33)
3. Open het accudeksel en zet de veiligheidssleutel in de stand 0. (Fig. 38)
4. Om de accu te verwijderen drukt u tegelijkertijd op de 2 ontgrendelknoppen en verwijdert u de accu. (Fig. 39)
5. Laad de accu op wanneer deze zwak is. Zie voor meer informatie *De accu opladen op pagina 257*.

## Onderhoud

### Inleiding



**WAARSCHUWING:** Voordat u onderhoud gaat uitvoeren, dient u het hoofdstuk over veiligheid te lezen en hebben begrepen.

Voor alle onderhouds- en reparatiewerkzaamheden aan het product is speciale training nodig. Wij garanderen de beschikbaarheid van professionele reparaties en onderhoud. Indien uw dealer geen servicewerkplaats heeft, vraag hem dan naar de dichtstbijzijnde servicewerkplaats.

## Onderhoudsschema

De onderhoudsintervallen worden berekend op basis van het dagelijks gebruik van het product. De intervallen veranderen als het product niet dagelijks wordt gebruikt.

S 138i	Elk gebruik	Maandelijks	Elk seizoen
Voer een algemene inspectie uit.	X		
Reinig het product.	X		
Controleer de verticuteermachine.	X		
Controleer of de veiligheidsvoorzieningen op het product in orde zijn. *	X		
Controleer de afschermingen. *	X		
Controleer de remhendel van de motor. *	X		
Controleer de startvergrendeling. *	X		
Controleer of de ON/OFF-knop naar behoren werkt en niet defect is.	X		
Controleer de accu op beschadigingen.	X		
Controleer het laadniveau van de accu.	X		
Controleer of de ontgrendelknoppen op de accu naar behoren werken en de accu in het product wordt vergrendeld.	X		
Controleer de acculader op beschadiging en zorg dat deze naar behoren werkt.		X	
Controleer de verbindingen tussen de accu en het product. Controleer ook de verbinding tussen de accu en de acculader.			X

### Algemene inspectie uitvoeren

- Controleer of de moeren en schroeven op het product goed zijn vastgedraaid.
- Zorg dat de kabels van het product zich in een positie vinden waarin ze niet beschadigd kunnen raken.

### Product reinigen

- Reinig de kunststof onderdelen met een schone en droge doek.
- Gebruik geen water om het product te reinigen. Water kan de accu of de motor binnendringen en kortsluiting of schade aan het product veroorzaken.
- Reinig het product niet met een hogedrukspuit.
- Laat nooit water rechtstreeks op de motor stromen.
- Gebruik een borstel om bladeren, gras en vuil te verwijderen.

### Accu en acculader reinigen



**WAARSCHUWING:** Reinig de accu of acculader nooit met water.



**WAARSCHUWING:** Gebruik nooit chemische middelen om de accu te reinigen.

- Zorg ervoor dat de accu en de acculader schoon en droog zijn voordat u de accu in de acculader plaatst.
- Reinig de accupolen met perslucht of gebruik een zachte en droge doek.
- Reinig de oppervlakken van de accu en de acculader met een zachte en droge doek.

### De verticuteermachine controleren



**WAARSCHUWING:** Voorkom onbedoeld starten door de veiligheidssleutel op 0 te zetten, de accu te verwijderen en ten minste 5 seconden te wachten.



**WAARSCHUWING:** Draag veiligheidshandschoenen wanneer u onderhoud aan de verticuteermachine uitvoert. De tanden van de verticuteermachine zijn zeer scherp

en kunnen gemakkelijk snijwonden veroorzaken.

scherp en kan gemakkelijk snijwonden veroorzaken

- Controleer de verticuteermachine op beschadiging en scheuren. Vervang een beschadigde verticuteermachine altijd.

1. Plaats het product op zijn rechterzijde. (Fig. 40)
2. Verwijder de 2 schroeven (A) en de afdekking (B) van de verticuteermachine. Duw de verticuteerapparatuur (C) omhoog en naar buiten om hem te verwijderen. (Fig. 41)
3. Duw de nieuwe verticuteerapparatuur (C) in de groef en de opening. Bevestig de afdekking (B) van de verticuteermachine en de 2 schroeven (A) (Fig. 42)

## De verticuteerapparatuur vervangen



**WAARSCHUWING:** Draag veiligheidshandschoenen wanneer u onderhoud aan de verticuteerapparatuur uitvoert. De verticuteerapparatuur is zeer

## Probleemoplossing

### Accu

Led op de accu	Oorzaak	Oplossing
De groene led knippert.	De accuspanning is laag.	Laad de accu op. Raadpleeg <i>De accu opladen op pagina 257.</i>
De fout-led van de accu knippert.	De accu is te koud of te heet om te gebruiken.	Laat de accu afkoelen of breng deze naar binnen om warm te worden. Als de accu de juiste temperatuur heeft, kan deze weer worden gebruikt. Gebruik de accu in het product enkel bij omgevingstemperaturen tussen 5 en 40 °C.
	De accu is leeg.	Laad de accu op. Raadpleeg <i>De accu opladen op pagina 257.</i>
De fout-led van de accu gaat branden.	Er is sprake van een permanente accufout.	Neem contact op met uw Husqvarna servicedealer.

### Acculader

Led op de acculader	Oorzaak	Oplossing
De fout-led knippert of gaat branden.	De acculader is te koud of te heet om te gebruiken.	Laat de acculader afkoelen of breng deze naar binnen om warm te worden. Als de acculader de juiste temperatuur heeft, kan deze weer worden gebruikt. Gebruik de acculader bij omgevingstemperaturen tussen 5 en 40 °C.
	Andere fouten.	Neem contact op met uw Husqvarna servicedealer.

## Bedieningspaneel

Fout	Foutcode (aantal keer knipperen)	Mogelijke fouten	Mogelijke actie
De foutled knippert	3	De motor is overbelast.	Verklein de werkdiepte. Raadpleeg <i>De werkdiepte instellen op pagina 257</i> . Als de foutled blijft knipperen, wordt de verticuteerapparatuur geblokkeerd. Voorkom onbedoeld starten door de veiligheids-sleutel op 0 te zetten, de accu te verwijderen en ten minste 5 seconden te wachten. Controleer of de verticuteerma-chine vrij kan bewegen. Indien het probleem zich blijft voordoen neemt u contact op met een erkende servicewerk-plaats.
	5	Het motortoerental daalt te veel en de motor stopt.	
	9	De motorregeling is te warm.	
	7	Accufout of geen signaal van de accu.	
Het product stopt	6	De accu is zwak.	Laad de accu op. Raadpleeg <i>De accu opladen op pagina 257</i> .
	"No" knippert.	Storing accuconnector.	Controleer de accuconnector.
Andere fouten	Als er andere fouten optreden, draait u de veiligheids-sleutel naar 0, verwijdt u de accu en neemt u contact op met een erkende servicewerkplaats.		

## Vervoer, opslag en verwerking

### Inleiding



**WAARSCHUWING:** Voorkom onbedoeld starten tijdens transport en opslag door de veiligheidssleutel op 0 te zetten, de accu te verwijderen en ten minste 5 seconden te wachten.

### Transport

- De wettelijke vereisten voor gevaarlijke stoffen zijn van toepassing voor de Li-ion-accu's die in het product zitten.
- Voor commercieel transport moet aan speciale vereisten voor de verpakking en labels worden voldaan.
- Zorg dat u de regels voor gevaarlijke materialen in acht neemt bij het voorbereiden van het product voor transport. Er kunnen lokale voorschriften van toepassing zijn.
- Verwijder voor transport altijd de accu.
- Plaats tape op de accuconnectors en zorg ervoor dat de accu niet kan bewegen tijdens transport.
- Zet het product vast tijdens transport.

### Opslag

- Verwijder voor opslag altijd de accu's.
- Laat het product afkoelen voordat u het opbergt.
- Om ongevallen te voorkomen, dient u ervoor te zorgen dat de accu tijdens opslag niet op het product is aangesloten.
- Bewaar de acculader in een afgesloten en droge ruimte.
- Bewaar de accu en de acculader op een droge, vocht- en vorstvrije plaats.
- Koppel de accu tijdens opslag los van de accu.
- Bewaar de accu niet op plaatsen waar statische elektriciteit aanwezig is. Bewaar de accu niet in een metalen doos.

- Bewaar het product bij een omgevingstemperatuur tussen -10 °C en 40 °C.
- Bewaar de accu bij een temperatuur tussen 5 °C en 25 °C en nooit in direct zonlicht.
- Bewaar de acculader bij een temperatuur tussen 5 °C en 45 °C en nooit in direct zonlicht.
- Zorg ervoor dat de accu tussen de 30% en 50% is opgeladen alvorens langdurige opslag.
- Bewaar het product, de accu en de acculader in een afgesloten ruimte, buiten bereik van kinderen en onbevoegden.
- Reinig het product en zorg ervoor dat de grasopvangbak leeg is.
- Voer de onderhoudsprocedures uit die in deze bedieningshandleiding staan beschreven. Raadpleeg *Onderhoudsschema op pagina 259*.
- Voer een volledige onderhoudsbeurt uit voordat u het product voor langere tijd opbergt.

## Afvoeren

Symbolen op het product of op de verpakking van het product geven aan dat dit product niet beschouwd kan worden als huishoudelijk afval. Het moet worden ingeleverd bij een geschikt inzamelstation voor het terugwinnen van elektrische en elektronische apparatuur.

Als u ervoor zorgt dat dit product goed wordt verwerkt, helpt u mogelijk negatieve gevolgen voor het milieu en mensen door verkeerd afvalbeheer van dit product tegen te gaan. Neem voor meer informatie over het recyclen van dit product contact op met de gemeente, het afvalverwerkingsbedrijf of de winkel waar u het product hebt gekocht.

(Fig. 43)

## Technische gegevens

### Technische gegevens

<b>S 138i</b>	
<b>Motor</b>	
Motor type	BLDC (borstelloos) 36 V
Toerental apparatuur – SavE, tpm	3000
Toerental apparatuur – nominaal, tpm	3200
Uitgangsvermogen motor – max. kW	1,28
Uitgangsvermogen motor – nominaal, kW	0,9
<b>Gewicht</b>	
Gewicht zonder zak (excl. accu), kg	19,5
Gewicht met zak (incl. 1 x BLi30), kg	23
<b>Accu</b>	
Type accu	Accuserie Husqvarna
<b>Gebruiksduur accu</b>	
Gebruiksduur accu, min., (onbelast gebruik) met SavE geactiveerd, op één Husqvarna 7,5Ah-accu (BLi30).	195
Gebruiksduur accu, min., (onbelast gebruik) met standaardmodus geactiveerd, op één Husqvarna 7,5Ah-accu (BLi30).	175
<b>Geluidsemissies</b> <sup>46</sup>	
Geluidsvermogensniveau, gemeten dB(A)	89
Geluidsvermogensniveau, gegarandeerd L <sub>WA</sub> dB (A)	91

<sup>46</sup> Geluidsemissie naar de omgeving gemeten als geluidsvermogen (L<sub>WA</sub>) volgens EG-richtlijn 2000/14/EG.

<b>S 138i</b>	
<b>Geluidsniveaus</b> <sup>47</sup>	
Geluidsdrukniveau bij het oor van de gebruiker, dB(A)	75
<b>Trillingsniveau</b> <sup>48</sup>	
Hendel, m/s <sup>2</sup>	5,5
<b>Werking</b>	
Werkdiepte max./min. mm	-8/+5
Werkbreedte, cm	37,5
Opzetstuk bladtanden	5973510-01
Opzetstuk veertanden	5973509-01
Capaciteit grasopvangbak, liter	45

Goedgekeurde accu's	Type	Accucapaciteit, Ah	Spanning, V	Gewicht, lb/kg
BLi30	Lithium-ion	7,5	36	4,2/1,9
40-B140	Lithium-ion	4,0	36	2,6/1,2

Goedgekeurde laders voor de gespecificeerde accu's, BLi	Ingangsspanning, V	Frequentie, Hz	Vermogen, W
40-C80	100-240	50-60	68,8
QC250	220-240	50	250

<sup>47</sup> De gerapporteerde gegevens voor het geluidsdrukniveau hebben een onzekerheidsfactor (K) van 1,5 dB(A).

<sup>48</sup> Gerapporteerde gegevens voor het trillingsniveau hebben een onzekerheidsfactor (K) van 1,5 m/s<sup>2</sup>. De opgegeven totale trillingswaarde is gemeten overeenkomstig de norm EN 62841-4-7, Bijlage I en kan worden gebruikt om machines onderling te vergelijken en voor een voorlopige beoordeling van de blootstelling.

---

## Verklaring van overeenstemming

---



## EU-verklaring van overeenstemming

Wij, **Husqvarna AB**, SE-561 82 Huskvarna,  
Zweden, tel: +46-36-146500, verklaren onder onze  
alleenverantwoordelijkheid dat het product:

<b>Beschrijving</b>	Verticuteermachine
<b>Merk</b>	Husqvarna
<b>Type/model</b>	S 138i
<b>Identificatie</b>	Serienummers vanaf 2023 en verder

voldoen volledig aan de volgende EU-richtlijnen en  
-regelgeving:

<b>Richtlijn/Verordening</b>	<b>Beschrijving</b>
2011/65/EU	"inzake beperking van het gebruik van bepaalde gevaarlijke stoffen in elektrische en elektronische apparatuur"
2006/42/EG	"betreffende machines"
2014/30/EU	"betreffende elektromagnetische compatibiliteit"
2000/14/EG	"betreffende de geluidsemissies in het milieu"

en dat de volgende normen en/of technische  
specificaties zijn toegepast: EN 62841-1:2015/  
A11:2022, EN IEC 62841-4-7:2022/A11:2022, EN  
ISO 12100:2010, EN 55014-1:2017/A11:2020, EN  
55014-2:2015, EN IEC 63000:2018.

Voor informatie over geluidsemissies, zie *Technische  
gegevens op pagina 262*.

Huskvarna, 2023-12-30



Claes Losdal

Development Manager/Garden Products

Husqvarna AB

Verantwoordelijk voor technische documentatie



---

# INNHold

---

Innledning.....	266	Feilsøking.....	275
Sikkerhet.....	267	Transport, oppbevaring og avhending.....	276
Montering.....	272	Tekniske data.....	277
Drift.....	272	Samsvarserklæring.....	279
Vedlikehold.....	274		

---

## Innledning

---

### Produktbeskrivelse

Produktet er en elektrisk vertikalskjærer som styres manuelt. Produktet fjerner gressfilt fra plenen og løsner jorden, slik at luft og vann kommer inn i plenen.

Gressfilten samles i en gressoppsamler eller slippes på plenen. Produktet har to typer utstyr for vertikalskjæring.

### Utstyr for vertikalskjæring

Se *Slik bytter du ut utstyr for vertikalskjæring på side 275* for nærmere opplysninger om hvordan du skifter utstyr for vertikalskjæring.

### Knivtinder

Knivtindene fjerner gressfilt og klipper gressrøtter vertikalt. Bruk knivtindene i skråninger, terrasseplener

### Produktoversikt

(Fig. 1)

1. Motorbrems håndtak
2. Øvre håndtak
3. Kontrollpanel
4. Startspærre
5. Nedre håndtak
6. Oppsamler
7. Bakdeksel
8. Vertikalskjærerdeksel
9. Batterideksel
10. Justeringsknott for arbeidsdybde
11. Tenningsnøkkel
12. PÅ/AV-indikatorlampe
13. ON/OFF-knapp
14. SavE-knapp
15. SavE-indikatorlampe
16. Indikator for batterilading og batteriknapp
17. Fjærtinder
18. Batteri (tilbehør)
19. Batterilader (tilbehør)
20. Unbrakonøkkel
21. Bruksanvisning

og i jord med mye leire. Knivtinder gjør at vann slipper inn i plenen og forhindrer at det samler seg vann på overflaten.

(Fig. 17)

### Fjærtinder

Fjærtindene fjerner dødt gress og gressfilt skånsomt fra plenen uten at gressrøttene skades.

(Fig. 18)

### Bruksområder

Bruk produktet til å fjerne gressfilt og mose og til å løsne jord i private hager. Ikke bruk produktet til andre oppgaver.

### Symboler på produktet

- (Fig. 2)      ADVARSEL
- (Fig. 3)      Les instruksjonene.
- (Fig. 4)      ADVARSEL – vær oppmerksom på objekter som kan slynges ut.
- (Fig. 5)      Hold tilskuere på avstand.
- (Fig. 6)      ADVARSEL – hold hender og føtter borte fra tindene.
- (Fig. 7)      Koble fra batteriet før vedlikehold.
- (Fig. 8)      Må ikke utsettes for regn.
- (Fig. 9)      Dette produktet har beskyttelse mot vannsprut.
- (Fig. 10)     Dette produktet er i overensstemmelse med gjeldende EU-direktiver.
- (Fig. 11)     Dette produktet samsvarer med gjeldende britiske direktiver.

(Fig. 12) Støytuslipp til omgivelsene som i EU-direktiver og forskrifter, britiske direktiver og forskrifter og New South Wales-forskriften «Protection of the Environment Operations (Noise Control) Regulation 2017». Garantert lydeffektnivå for produktet er angitt i *Tekniske data på side 277* og på etiketten.

(Fig. 15) Lever dette produktet til et gjenvinningsanlegg for elektrisk og elektronisk utstyr. (Gjelder kun Europa)

(Fig. 16) Startprosedyre: Trykk på PÅ/AV-knappen, løsne startsperran, skyv motorbremsehåndtaket ned.

(Fig. 13) Slipp motorbremshåndtaket for å stoppe.

(Fig. 14) Kode som kan skannes.

**Merk:** Øvrige symboler/klistremerker angitt på produktet gjelder sertifiseringskrav for visse markeder.

## Skader på produktet

Vi er ikke ansvarlige for skader på produktet vårt hvis:

- Produktet er reparert på feil måte.
- Produktet er reparert med deler som ikke kommer fra produsenten eller som ikke er godkjent av produsenten.
- Produktet har et tilbehør som ikke kommer fra produsenten eller som ikke er godkjent av produsenten.
- Produktet er ikke reparert på et godkjent servicesenter eller av en godkjent aktør.

---

## Sikkerhet

---

### Sikkerhetsdefinisjoner

Advarsler, oppfordringer og merknader brukes for å understreke spesielt viktige deler av bruksanvisningen.



**ADVARSEL:** Brukes hvis det er fare for personskade eller død for brukeren eller andre personer om instruksjonene i håndboken ikke følges.



**OBS:** Brukes hvis det er fare for skade på produktet, annet materiell eller nærliggende områder om instruksjonene i håndboken ikke følges.

**Merk:** Brukes for å gi mer nødvendig informasjon for en spesifikk situasjon.

### Generelle sikkerhetsadvarsler for produkt



**ADVARSEL:** Les alle sikkerhetsadvarsler, instruksjoner, illustrasjoner og spesifikasjoner som fulgte med dette produktet. Hvis du ikke følger alle instruksjonene som er angitt nedenfor, kan det føre til elektrisk støt, brann og/eller alvorlige skader.

**Ta vare på alle advarsler og instruksjoner for fremtidig bruk.** Begrepet «produkt» i advarslene refererer til

elektriske produkter som drives av nettstrøm (med ledning) eller batteri (uten ledning).

### Sikkerhet i arbeidsområdet

- **Hold arbeidsområdet rent og godt opplyst.** Rot og dårlig opplyste områder kan lett føre til ulykker.
- **Ikke bruk produktet i eksplosiv atmosfære, for eksempel der det finnes brennbare væsker, gasser eller støv.** Produktet danner gnister som kan antenne støv eller gasser.
- **Hold barn og andre tilskuere på avstand når produktet er i bruk.** Distraksjoner kan føre til at du mister kontrollen.

### Personlig sikkerhet

- **Vær oppmerksom, følg med på det du gjør, og bruk sunn fornuft når du bruker et produkt. Ikke bruk et produkt hvis du er trett eller påvirket av narkotika, alkohol eller medisiner.** Et øyeblikks uoppmerksomhet under bruk av produkter kan føre til alvorlig personskade.
- **Bruk personlig verneutstyr. Bruk alltid vernebriller.** Bruk av verneutstyr som støvmaske, vernesko med antisklisåle, hjelm og hørselvern der det kreves, reduserer faren for personskade.
- **Unngå utilsiktet oppstart. Forsikre deg om at bryteren står i av-stillingen før du kobler til strømforsyningen og/eller batteripakken, tar opp produktet eller bærer produktet.** Hvis du bærer et produkt med en finger på bryteren eller med produktet påslått, kan dette lett føre til ulykker.
- **Fjern eventuelle justeringsnøkler før du slår på produktet.** Nøklene som sitter på de roterende delene av produktet, kan føre til personskade.

- **Ikke strekk deg for langt. Hold alltid føttene på bakken og en balansert stilling.** Dette gir deg bedre kontroll over produktet i uventede situasjoner.
- **Bruk egnede klær. Bruk ikke løstsittende klær eller smykker. Hold hår og klær borte fra bevegelige deler.** Løstsittende klær, smykker eller langt hår kan sette seg fast i bevegelige deler.
- **Hvis apparatet er forsynt med tilkobling for støvsuger eller oppsamlere, må du forsikre deg om at disse er riktig tilkoblet og brukes på riktig måte.** Bruk av støvoppsamlere kan redusere faren for støvrelaterte skader.
- **Selv om du har lang erfaring med bruk av produkter, må du ikke bli uforsiktig eller ignorere sikkerhetsreglene.** En uforsiktig handling kan føre til alvorlig personskade i løpet av en brøkdell av et sekund.

## Bruk og vedlikehold av produktet

- **Ikke bruk makt på produktet. Bruk riktig produkt til den aktuelle oppgaven.** Riktig produkt vil gjøre jobben bedre og sikrere i den hastigheten den er konstruert for.
- **Ikke bruk produktet hvis bryteren ikke lar seg slå på og av.** Produkter som ikke kan kontrolleres med bryteren, er farlige, og må repareres.
- **Koble støpselet fra strømforsyningen og/eller batteripakken fra produktet, hvis det er avtakbart, før du foretar justeringer, skifter tilbehør eller legger unna produktet for oppbevaring.** Slike forebyggende sikkerhetstiltak reduserer faren for at produktet starter ved et uhell.
- **Produkter som ikke er i bruk, må oppbevares utilgjengelig for barn.** Ikke la produkter brukes av personer som ikke er kjent med produktene eller disse instruksjonene. Produkter er farlige når de brukes av uerfarne brukere.
- **Vedlikehold produkter og tilbehør. Kontroller for feil innretting eller festing av bevegelige deler, brudd på deler eller andre tilstander som kan påvirke produktets funksjon. Hvis produktet er ødelagt, må det repareres før bruk.** Mange ulykker forårsakes av dårlig vedlikeholdte produkter.
- **Hold skjæreverktøy skarpe og rene.** Riktig vedlikeholdte skjæreverktøy med skarpe skjærekanter har mindre fare for å sette seg fast, og er lettere å kontrollere.
- **Bruk produktet, tilbehør og verktøybits osv. i henhold til disse instruksjonene, og i forhold til arbeidsforholdene og arbeidet som skal utføres.** Bruk av produkter til andre oppgaver enn de er laget for, kan føre til farlige situasjoner.
- **Hold håndtakene og gripeflatene tørre, rene og frie for olje og fett.** Glatte håndtak og gripeflater gjør trygg håndtering og kontroll av produktet i uventede situasjoner umulig.

## Bruk og pleie av batteriverktøy

- **Må bare lades med laderen som er spesifisert av produsenten.** En lader som passer til én batteripakke

kan skape brannfare hvis den brukes med en annen batteripakke.

- **Produkter skal bare brukes med spesielt angitte batteripakker.** Bruk av andre batteripakker kan medføre fare for personskade og brann.
- **Når batteriet ikke er i bruk, må det holdes unna andre metallgjenstander som binders, mynter, nøkler, spiker, skruer og andre små metallgjenstander som kan danne en forbindelse fra den ene batteripolen til den andre.** Kortslutning av batteripolene kan føre til forbrenning eller brann.
- **Hvis batteriet utsettes for store påkjenninger, kan det komme væske ut av det. Unngå i så fall kontakt med denne væsken. Skyll med vann hvis kontakt oppstår ved et uhell. Hvis du får væske i øynene, kontakt lege øyeblikkelig.** Væske som kommer ut av batteriet kan forårsake irritasjon eller forbrenninger.
- **Ikke bruk batteripakken eller verktøyet hvis det er skadet eller endret.** Skadede eller endrede batterier kan ha en uforutsigbar adferd, noe som kan føre til brann, eksplosjoner eller personskader.
- **Ikke eksponer en batteripakke eller et verktøy for brann eller for høy temperatur.** Eksponering for flammer eller temperaturer over 130 °C (265 °F) kan føre til eksplosjon.
- **Følg alle instruksjoner for lading, og ikke lad batteripakken eller verktøyet utenfor temperaturområdet som er angitt i instruksjonene.** Lading på feil måte eller ved temperaturer utenfor det angitte området kan påføre batteriet skade og øke faren for brann.

## Service

- **La en kvalifisert reparatør utføre service kun med identiske reservedeler.** Dette sørger for at produktets sikkerhet opprettholdes.
- **Utfør aldri service på skadede batteripakker.** Service av batteripakker skal kun utføres av produsenten eller autoriserte serviceleverandører.

## Sikkerhetsadvarsler for produktet

- **Ikke bruk produktet i dårlig vær, spesielt når det er fare for lyn.** Dette øker faren for å bli truffet av lynnedslag.
- **Inspiser området grundig for dyreliv der produktet skal brukes.** Dyreliv kan bli skadet av produktet under bruk.
- **Kontroller grundig området der produktet skal brukes, og fjern alle steiner, pinner, ledninger, bein og andre fremmedlegemer.** Gjenstander som slynges ut, kan forårsake personskade.
- **Før du bruker produktet må du alltid inspisere tindene og tindsammenstillingen etter synlige tegn på slitasje eller skade.** Skadede deler øker faren for personskade.
- **Kontroller gressutkasteren ofte med tanke på slitasje eller skader.** En slitt eller skadet gressoppsamlere kan øke faren for personskade.

- **Hold dekslene på plass. Dekslene må være i god stand og være riktig monterte.** Et deksel som er løst, skadet eller som ikke fungerer som det skal, kan føre til personskafe.
- **Sørg for at det ikke kommer rusk inn i kjøleluftinntaket.** Blokkerte luftinntak og rusk kan føre til overoppheting eller brannfare.
- **Bruk alltid sklisikkert og beskyttende fottøy når du bruker produktet. Ikke vær barbeint eller bruk åpne sandaler når du bruker produktet.** Dette reduserer faren for skade på føttene fra kontakt med tindene når de er i bevegelse.
- **Ha alltid på deg lange bukser når du bruker produktet.** Hud som ikke er tildekket er mer sannsynlig å skades av gjenstander som kan slynges ut.
- **Ikke bruk produktet i vått gress. Gå, ikke løp.** Dette reduserer faren for å skli og falle, som kan føre til personskafe.
- **Ikke bruk produktet i svært bratte skråninger.** Dette reduserer risikoen for å miste kontrollen, skli og falle, som kan føre til personskafe.
- **Når du arbeider i skråninger, må du alltid stå støtt, alltid arbeide på tvers av skråninger, aldri opp eller ned dem, og være svært forsiktig når du skifter retning.** Dette reduserer risikoen for å miste kontrollen, skli og falle, som kan føre til personskafe.
- **Vær ekstremt forsiktig når du kjører i revers eller trekker produktet mot deg. Vær alltid oppmerksom på omgivelsene dine.** Dette reduserer faren for å snuble under drift.
- **Hold produktet kun i de isolerte gripeflatene, da tindene kan komme i kontakt med skjulte ledninger eller sin egen ledning.** Tinder som kommer i kontakt med en strømførende ledning, kan gjøre blottlagte metalldeleer på produktet strømførende og gi brukeren elektrisk støt.
- **Ikke ta på tindene eller andre farlige bevegelige deleer mens de fortsatt er i bevegelse.** Dette reduserer faren for skader fra bevegelige deleer.
- **Når du fjerner fastkjørt materiale eller rengjør produktet, må du kontrollere at alle strømbrytere er av, og at batteripakken er koblet fra.** Uventet drift av produktet kan føre til alvorlig personskafe.

## Generelle sikkerhetsinstruksjoner



**ADVARSEL:** Les de følgende advarelsinstruksjonene før du bruker produktet.

- Dette produktet er farlig hvis det brukes feil, eller hvis du ikke er forsiktig. Personskafe eller død kan forekomme hvis du ikke følger sikkerhetsinstruksjonene.
- Dette produktet danner et elektromagnetisk felt når det er i bruk. Dette feltet kan under visse forhold forstyrre aktive eller passive medisinske implantater.

For å redusere faren for hendelser som kan føre til alvorlig eller livstruende skade, anbefaler vi at personer med medisinske implantater rådfører seg med lege og produsenten av det medisinske implantatet før dette produktet tas i bruk.

- Vær alltid forsiktig, og bruk sunn fornuft. Hvis du ikke er sikker på hvordan du skal bruke produktet i en bestemt situasjon, må du stoppe og snakke med Husqvarna-forhandleren før du fortsetter.
- Husk at brukeren er ansvarlig for ulykker som involverer andre personer eller deres eiendom.
- Hold produktet rent. Sørg for at du kan lese skilt og merker.
- La aldri barn eller personer som ikke har satt seg inn i bruksanvisningen, bruke apparatet. Brukerens ivalder kan være fastsatt i lokale forskrifter.
- Hold alltid øye med personer med redusert fysisk eller mental kapasitet når de bruker produktet. En ansvarlig voksen må alltid være til stede.
- Ikke bruk produktet dersom du er trett eller syk eller under påvirkning av alkohol, andre rusmidler eller medisiner. Disse tingene har en negativ effekt på synet, vurderingsevnen og dømmekraften din.
- Ikke bruk produktet hvis det er skadet eller ikke fungerer som det skal.
- Ikke modifier dette produktet, og ikke bruk det dersom det er mulig at andre har modifisert det.

## Arbeidssikkerhet



**ADVARSEL:** Les de følgende advarelsinstruksjonene før du bruker produktet.

- Bruk dette produktet kun til å fjerne gressfilt og mose fra gressplener. Det er ikke tillatt å bruke det til andre formål.
- Bruk personlig verneutstyr. Se *Personlig verneutstyr på side 270*.
- Sørg for at du vet hvordan du stopper motoren raskt i en nødssituasjon.
- Produktet må ikke brukes i regn eller fuktige omgivelser. Dette kan øke faren for elektrisk støt.
- Ikke bruk produktet med mindre tindene og alle deksler er riktig monterte. Feilmonterte tinder kan løsne og forårsake personskafe.
- Pass på at tindene ikke kommer borti gjenstander som steiner og røtter. Dette kan skade tindene og bøye motorakselen. En bøyd aksel kan forårsake mye vibrasjon og utgjør en svært høy fare for at tindene løsner.
- Hvis tindene treffer en gjenstand eller det oppstår kraftige vibrasjoner, må du stanse produktet øyeblikkelig. Stopp motoren, vri tenningsnøkkelen til 0, og fjern batteriet. Vent til alle bevegelige deleer har stoppet. Kontroller produktet for skader. Stram til løse deleer. Reparer skader og skift ut skadde deleer. La et godkjent serviceverksted utføre reparasjonen.

- Du må aldri feste motorbremsåndtaket permanent til håndtaket når motoren er i gang.
- Plasser produktet på et stabilt, flatt underlag, og start det. Pass på at tindene ikke berører bakken eller andre gjenstander.
- Hold deg alltid bak produktet når du bruker det.
- La alle hjulene være på bakken, og hold begge hender på håndtaket når du bruker produktet. Hold hender og føtter borte fra de roterende tindene.
- Ikke vipp produktet når du starter motoren eller under bruk av produktet.
- Vær forsiktig når du trekker produktet bakover.
- Du må aldri løfte produktet når motoren er i gang. Hvis du har behov for å løfte produktet, må du først stoppe motoren, vri tenningsnøkkelen til 0 og fjerne batteriet.
- Ikke gå bakover når du bruker produktet.
- Stopp motoren når det er nødvendig å vippe produktet for transport eller før du beveger deg over områder uten gress, for eksempel gangveier med grus, stein og asfalt.
- Ikke løp med produktet når motoren er på. Du må alltid gå mens du bruker produktet.
- Stopp motoren før du endrer arbeidsdybde. Utfør aldri justeringer mens motoren er i gang.
- La aldri produktet være ute av syne mens motoren er i gang. Stopp motoren, vri tenningsnøkkelen til 0, og fjern batteriet. Kontroller at utstyret for vertikalskjæring ikke roterer.
- Vibrasjonene i produktet under drift kan være forskjellige fra den oppgitte vibrasjonsverdien i *Tekniske data på side 277*. Forskjellen skyldes variasjoner i hvordan produktet brukes. Hvis du bruker produktet ofte eller over lengre tid, må du ta pauser regelmessig for å unngå skader fra vibrasjonene.

## Sikkerhetsinstruksjoner for drift

### Personlig verneutstyr



**ADVARSEL:** Les de følgende advarelsinstruksjonene før du bruker produktet.

- Verneutstyr kan aldri fullstendig forhindre skade, men det reduserer skadeomfanget hvis ulykken inntreffer. Spør forhandleren din om hjelp til å velge riktig utstyr.
- Bruk kraftige, sklisikre støvler eller sko. Ikke bruk åpne sko eller gå barbeint.
- Bruk tykke langbukser.
- Bruk vernehansker når det er nødvendig, for eksempel når du fester, undersøker eller rengjør skjæreutstyret.
- Vi anbefaler at du bruker hørselsvern.

## Sikkerhetsutstyr på produktet



**ADVARSEL:** Les de følgende advarelsinstruksjonene før du bruker produktet.

- Ikke bruk et produkt med sikkerhetsutstyr som er skadet eller ikke fungerer som det skal.
- Ikke fjern eller gjør endringer på sikkerhetsutstyr.
- Utfør regelmessig kontroll av sikkerhetsutstyret. Hvis sikkerhetsutstyret er skadet eller ikke fungerer som det skal, må du kontakte Husqvarna-serviceverkstedet.

### Slik kontrollerer du dekslene

Vertikalskjærerdekselet gir mindre vibrasjoner og minsker risikoen for skader forårsaket av utstyret for vertikalskjæring.

- Undersøk sidedekselet på vertikalskjæreren for å sikre at det ikke er noen skader, for eksempel sprekker.
- Undersøk bakdekselet for å sikre at det ikke er noen skader, for eksempel sprekker.

### Motorbremsåndtak

Motorbremsåndtaket stopper motoren. Når du slipper motorbremsåndtaket, stopper motoren.

Hvis du vil kontrollere motorbremsen, starter du motoren og slipper deretter motorbremsåndtaket. Hvis motoren ikke stopper innen tre sekunder, må du la et godkjent Husqvarna-serviceverksted justere motorbremsen.

(Fig. 19)

### Tenningsnøkkel

Tenningsnøkkelen er under batteridekselet. Tenningsnøkkelen brukes til å koble til batteriet som forsyner motoren med strøm.

- Skru motoren på og av for å utføre en kontroll av tenningsnøkkelen.
- Hvis tenningsnøkkelen fungerer som den skal, starter motoren bare når du vrir nøkkelen til posisjon 1.

(Fig. 20)

### Slik undersøker du startsperran

Utfør en kontroll av startsperran for å sikre at den hindrer driften av motoren.

1. Trykk motorbremsåndtaket i retning av håndtaket. Startsperran stopper bevegelsen.
2. Skyv startsperran ut. (Fig. 21)
3. Løsne startsperran, og kontroller at den går tilbake til sin opprinnelige posisjon.

## Batterisikkerhet



**ADVARSEL:** Les de følgende advarselsinstruksjonene før du bruker produktet.

- Bruk bare Husqvarna oppladbare batterier som strømforsyning for relaterte Husqvarna-produkter. For å unngå personskader må du ikke bruke batteriet som strømforsyning for andre enheter.
- Ikke bruk ikke-oppladbare batterier.
- Fare for elektrisk støt. Ikke la batteripolene komme i kontakt med nøkler, mynter, skruer eller andre metallgjenstander. Dette kan føre til kortslutning av batteriet.
- Ikke sett gjenstander inn i luftåpningene til batteriet.
- Hold batteriet unna sollys, varme og åpen ild. Batteriet kan eksplodere og forårsake forbrenninger og/eller kjemiske forbrenninger.
- Hold batteriet unna regn og fuktighet.
- Hold batteriet unna mikrobølger og høyt trykk.
- Ikke prøv å demontere eller ødelegge batteriet.
- Hvis batteriet lekker, må væsken ikke komme i kontakt med hud eller øyne. Hvis du har berørt væsken, må du rengjøre området med store mengder vann og oppsøke legehjelp.
- Bruk batteriet i produktet bare i omgivelsestemperaturer fra 5 °C til 40 °C.
- Bruk batteriladeren bare i omgivelsestemperaturer fra 5 °C til 40 °C.
- Batteriet lades ikke hvis batteritemperaturen er på over 50 °C.
- Ikke rengjør batteriet eller batteriladeren med vann. Se *Batteri på side 275*.
- Ikke bruk et skadet batteri.
- Oppbevar batteriene unna metallgjenstander, for eksempel spikre, mynter og smykker.

## Sikker bruk av batteriladeren



**ADVARSEL:** Les de følgende advarselsinstruksjonene før du bruker produktet.

- Bruk QC-batteriladere bare til å lade Husqvarna-erstatningsbatteriene.
- Fare for elektrisk støt eller kortslutning. Ikke sett gjenstander inn i luftåpningene til laderen. Ikke prøv å demontere batteriladeren. Ikke la ladekontaktene berøre metallgjenstander. Bruk en godkjent stikkontakt.
- Dette produktet danner et elektromagnetisk felt når det er i bruk. Dette feltet kan under visse forhold forstyrre aktive eller passive medisinske implantater. For å redusere faren for forhold som kan føre til alvorlig eller livstruende skade, anbefaler vi at personer med medisinske implantater rådfører seg

med sin lege og produsenten av det medisinske implantatet før dette produktet tas i bruk.

- Kontroller regelmessig at strømledningen til batteriladeren ikke er skadet, og at det ikke er sprekker i den.
- Ikke løft batteriladeren etter strømledningen. For å koble laderen fra stikkontakten drar du i støpselet. Ikke dra i ledningen.
- Hold strømledningen og skjøteledninger borte fra vann, olje og skarpe kanter. Pass på at kabelen ikke kommer i klem i dører, gjerder eller lignende. Det kan føre til at laderen blir strømførende.
- Ikke rengjør batteriladeren med vann.
- Batteriladeren kan brukes av barn over 8 år og personer med nedsatte fysiske og mentale evner eller personer uten erfaring eller kunnskap hvis de får tilsyn eller instruksjoner om hvordan de bruker batteriladeren på en sikker måte, og forstår farene ved bruken. Barn skal ikke leke med batteriladeren. Rengjøring og vedlikehold skal ikke utføres av barn uten tilsyn.
- Ikke lad engangsbatterier i batteriladeren.
- Ikke bruk batteriladeren i nærheten av brennbare materialer eller materialer som kan forårsake korrosjon. Batteriladeren må ikke tildekkes. Trekk ut støpselet til batteriladeren hvis det oppstår røyk eller brann.
- Ikke bruk en defekt eller skadet batterilader.
- Bare lad batteriet innendørs på et sted som har god luftsirkulasjon og er beskyttet mot direkte sollys. Ikke lad batteriet i fuktige omgivelser.

## Sikkerhetsinstruksjoner for vedlikehold



**ADVARSEL:** Les de følgende advarselsinstruksjonene før du bruker produktet.

- Når du skal hindre utilsiktet start under vedlikehold, vrir du om tenningsnøkkelen til 0 og tar ut batteriet. Vent i minst 5 sekunder før du begynner vedlikeholdet.
- Utfør vedlikeholdsarbeidet på riktig måte for å øke levetiden til produktet og redusere risikoen for ulykker. La et godkjent serviceverksted utføre det fagmessige vedlikeholdet. Snakk med nærmeste serviceverksted for mer informasjon.
- Utfør bare vedlikeholdsarbeid som er beskrevet i denne bruksanvisningen. Mer omfattende inngrep skal utføres av et godkjent serviceverksted.
- For å forhindre skade må du ikke fjerne eller gjøre endringer på sikkerhetsutstyret.
- Bruk robuste hansker når du bruker utstyret for vertikalskjæring. Utstyret for vertikalskjæring er svært skarpt, og det er lett å skjære seg.
- Hold tindene på utstyret for vertikalskjæring skarpe og rene for å oppnå best og sikrest ytelse.

- La serviceverkstedet undersøke produktet regelmessig og utføre de nødvendige justeringene og reparasjonene.
- Skift ut alle skadde, slitte eller ødelagte deler. Bruk bare originale reservedeler fra produsenten. Andre reservedeler kan forårsake skade på produktet og øke risikoen for ulykker.

- Følg instruksjonene for utskifting av tilbehør. Bruk bare tilbehør fra produsenten.
- Når de ikke er i bruk, oppbevarer du produktet, batteriet og batteriladeren fra hverandre i et tørt, innendørs og avlåst område. Kontroller at barn og personer som ikke er autoriserte, ikke kan få tilgang til produktet, batteriet eller batteriladeren.

## Montering

### Innledning



**ADVARSEL:** Før du monterer produktet, må du lese kapittelet om sikkerhet.



**ADVARSEL:** Når du skal hindre utilsikket start ved montering, vrir du tenningsnøkkelen til 0, tar ut batteriet og venter i minst fem sekunder.

### Slik monterer du håndtaket

1. Løsne de nedre knottene.
2. Flytt knottene til den nedre enden av sporene på venstre og høyre side av produktet. (Fig. 22)
3. Angi høyden på håndtaket til én av de tilgjengelige posisjonene.

4. Flytt knottene oppover i retning av håndtaket til de stopper og du hører et klikk. (Fig. 23)
5. Trekk til knottene helt.

### Slik monterer du oppsamleren

1. Fest oppsamlerammen til gressposen med den faste delen av posen på undersiden. Hold håndtaket på rammen på toppen av gressposen. (Fig. 24)
2. Fest nedre del av oppsamlerammen i sporet på bunnen av oppsamleren.
3. Fest gressposen til oppsamlerammen med klemmene. (Fig. 25)
4. Løft det bakre dekselet.
5. Sett oppsamleren i riktig posisjon. (Fig. 26)
6. Fest oppsamleren til den øverste kanten av chassiset. Kontroller at det bakre dekselet sitter tett mot gressoppsamleren, slik at lekkasje forhindres. (Fig. 27)

## Drift

### Innledning



**ADVARSEL:** Før du bruker produktet, må du lese og forstå kapittelet om sikkerhet.

### Husqvarna Connect

Husqvarna Connect er en kostnadsfri app for mobilenheten din. Husqvarna Connect-appen gir utvidede funksjoner for Husqvarna-produktet ditt:

- utvidet produktinformasjon
- informasjon om og hjelp med produktdele og service

### Slik begynner du å bruke Husqvarna Connect

1. Last ned Husqvarna Connect-appen på mobilenheten din.
2. Utfør registrering i Husqvarna Connect-appen.
3. Følg instruksjonene i Husqvarna Connect-appen for å koble til og registrere produktet.

### Slik angir du arbeidsdybde



**ADVARSEL:** Ikke juster arbeidsdybden mens du bruker produktet.

1. Skyv inn og vri justeringsknotten for arbeidsdybde mot urviseren for å øke arbeidsdybden.
2. Skyv inn og vri justeringsknotten for arbeidsdybde med urviseren for å redusere arbeidsdybden. (Fig. 28)

### Batteri



**ADVARSEL:** Før du bruker batteriet, må du lese og forstå kapittelet om sikkerhet. Du må også lese og forstå bruksanvisningen for batteriet og batteriladeren.

Batteriet og batteriladeren må oppbevares i riktig omgivelsestemperatur.

	Omgivelsestemperatur
Bruk av batteriet	5 °C til 40 °C



	<b>Omgivelsestemperatur</b>
Lade batteriet	5 °C til 40 °C

## Batteristatus

Displayet viser gjenværende batterikapasitet og eventuelle problemer med batteriet. Trykk på batteriindikatorknappen for å få informasjon om batteriets ladestatus. Advarselsymboler på batteriet lyser hvis en feil oppstår. Se *Batteri på side 275*.

(Fig. 29)

LED-lamper	Batteristatus
Alle LED-indikatorer lyser	Fullt ladet (76–100 %)
LED 1, LED 2, LED 3 lyser	Batteriet er 51–75 % ladet
LED 1, LED 2 lyser	Batteriet er 26–50 % ladet
LED 1 lyser	Batteriet er 0–25 % ladet
LED 1 blinker	Batteriet er 0–5 % ladet

## Slik lader du batteriet

Lad batteriet før første gangs bruk. Batteriet er bare 30 % oppladet når det leveres til kunden.

**Merk:** Batteriladeren må kobles til den spenningen og frekvensen som er angitt på typeskiltet.

Batteriet lades ikke hvis batteritemperaturen er over 50 °C. Batteriladeren reduserer batteriets temperatur før den begynner å lade.

1. Koble den ene enden av strømledningen for batteriladeren inn i kontakten på batteriladeren.
2. Koble den andre enden av strømledningen for batteriladeren inn i en jordet stikkontakt. LED-indikatoren på batteriladeren blinker grønt én gang. (Fig. 30)
3. Sett batteriet i batteriladeren. Den grønne lampen på laderen tennes når batteriet er riktig koblet til laderen. (Fig. 31)
4. Når alle LED-indikatorer på batteriet lyser, er batteriet fulladet. Lad batteriet i maks. 24 timer.
5. For å koble laderen fra stikkontakten må du dra i selve støpselet, ikke i ledningen.
6. Fjern batteriet fra batteriladeren.

## Slik starter du produktet

1. Sett inn et ladet batteri i batterirom nr. 1 under batteridekselet. For lengre driftstid kan du sett et andre oppladet batteri i batterirom nr. 2.
2. Vri tenningsnøkkelen til 1. (Fig. 32)
3. Stå bak produktet.

4. Trykk på PÅ/AV-knappen (A) på kontrollpanelet, så tennes den grønne LED-indikatoren (B). (Fig. 33)
5. Løsne startsperreren. (Fig. 34)
6. Trykk motorbrems håndtaket i retning av styret. (Fig. 35)

## Slik bruker du SavE-funksjonen

Produktet har en batterisparefunksjon (SavE) som gir lengre driftstid.

1. Trykk på SavE-knappen (A) for å starte funksjonen. Den grønne LED-indikatoren tennes. (Fig. 36)
2. Trykk på SavE-knappen igjen for å stoppe funksjonen. Den grønne LED-indikatoren (B) slukkes.

## Høybelastningsfunksjon

Når produktet klipper langt eller vått gress, øker motoren automatisk turtallet. Motoren går tilbake til standardmodus når høy last ikke er nødvendig.

## Motoren kveles

Under drift kan skjærebladet og motoren stoppe midlertidig på grunn av hindringer, for eksempel fordi klippedekselet blokkeres av gress. Hvis dette skjer, og du fortsetter å holde motorbrems håndtaket trykket ned, starter produktet automatisk på nytt. Hvis produktet ikke starter på nytt innen 5–10 sekunder, kan det være nødvendig å rengjøre klippedekselet. Se *Slik rengjør du produktet på side 274*.



**ADVARSEL:** Hvis motoren stopper, prøv produktet automatisk å starte på nytt i 5–10 sekunder. Vent i minst 15 sekunder før du kontrollerer klippedekselet.



**ADVARSEL:** Før du kontrollerer klippedekselet, slipper du motorbrems håndtaket, vri tenningsnøkkelen til 0, tar ut batteriet og venter i minst 5 sekunder. Det er fare for personskaade hvis hindringen fjernes og produktet starter ved et uhell.

## Slik stopper du produktet

Produktet stopper automatisk hvis du ikke bruker det på ti minutter. La aldri produktet være ute av syne mens motoren er i gang. Stopp motoren, vri tenningsnøkkelen til 0, og fjern batteriet. Kontroller at utstyret for vertikalskjæring ikke er skadet.

1. Slipp motorbrems håndtaket for å stoppe motoren. (Fig. 37)
2. Trykk på PÅ/AV-knappen (A) på kontrollpanelet, så slukkes den grønne LED-indikatoren (B). (Fig. 33)
3. Åpne batteridekselet og vri tenningsnøkkelen til 0. (Fig. 38)

4. Når du skal ta ut batteriet, trykker du på de to utløserknappene samtidig og trekker ut batteriet. (Fig. 39)

5. Lad batteriet hvis nivået er lavt. Du finner mer informasjon i *Slik lader du batteriet på side 273*.

## Vedlikehold

### Innledning



**ADVARSEL:** Før du utfører vedlikeholdsarbeid, må du lese og forstå kapittelet om sikkerhet.

For alt vedlikehold og reparasjonsarbeid på produktet er det nødvendig med spesiell opplæring. Vi garanterer fagmessig reparasjon og service. Hvis forhandleren ikke er et serviceverksted, må du snakke med dem for å få informasjon om nærmeste serviceverksted.

Hvis du vil ha mer detaljert informasjon, kan du se [www.husqvarna.com](http://www.husqvarna.com).

### Vedlikeholdsskjema

Vedlikeholdsintervallene er beregnet med utgangspunkt i daglig bruk av produktet. Intervallene kan endres hvis produktet ikke brukes daglig.

For vedlikehold identifisert med \* kan du se *Sikkerhetsutstyr på produktet på side 270*.

S 138i	Hver bruk	Månedlig	Hver sesong
Utfør en generell inspeksjon.	X		
Rengjør produktet.	X		
Undersøk utstyret for vertikalskjæring.	X		
Pass på at sikkerhetsutstyret på produktet ikke er defekt. *	X		
Undersøk dekslene. *	X		
Kontroller motorbremsåndtaket. *	X		
Kontroller startsperreren. *	X		
Kontroller at PÅ/AV-knappen fungerer på riktig måte og ikke er defekt.	X		
Kontroller batteriet for skader.	X		
Kontroller batteriets ladenivå.	X		
Kontroller at utløserknappene på batteriet fungerer riktig og at batteriet låses fast i produktet.	X		
Undersøk batteriladeren for skader, og sørg for at den fungerer på riktig måte.		X	
Undersøk forbindelsene mellom batteriet og produktet. Undersøk også forbindelsen mellom batteriet og batteriladeren.			X

### Slik utfører du en generell inspeksjon

- Kontroller at mutrene og skruene på produktet er trukket til.
- Sørg for at kablene på produktet ikke er i en posisjon der de kan bli skadet.

- Ikke spyl vann direkte på motoren.
- Bruk en børste for å fjerne løv, gress og smuss.

### Slik rengjør du produktet

- Rengjør plastdeler med en tørr, ren klut.
- Ikke bruk vann til å rengjøre produktet. Vann kan komme inn i batteriet eller motoren og forårsake kortslutning eller skade på produktet.
- Produktet må ikke rengjøres med høytrykksspyler.

### Slik rengjør du batteriet og batteriladeren



**ADVARSEL:** Ikke rengjør batteriet eller batteriladeren med vann.



**ADVARSEL:** Ikke bruk kjemikalier til å rengjøre batteriet.

- Kontroller at batteriet og batteriladeren er rene og tørre før du setter batteriet i batteriladeren.
- Rengjør batteriklemmene med trykluft, eller bruk en myk og tørr klut.
- Rengjør overflatene på batteriet og batteriladeren med en myk og tørr klut.

## Slik undersøker du utstyret for vertikalskjæring



**ADVARSEL:** For å hindre utilsiktet start vrir du tenningsnøkkelen til 0, tar ut batteriet og venter i minst fem sekunder.



**ADVARSEL:** Bruk vernehansker når du utfører vedlikehold på utstyret for vertikalskjæring. Tindene på utstyret for vertikalskjæring er svært skarpe, og det er fort gjort å skjære seg.

- Kontroller utstyret for vertikalskjæring med henblikk på skader og sprekkdannelse. Bytt alltid ut skadet utstyr for vertikalskjæring.

## Slik bytter du ut utstyr for vertikalskjæring



**ADVARSEL:** Bruk vernehansker når du utfører vedlikehold på utstyret for vertikalskjæring. Utstyret for vertikalskjæring er svært skarpt, og det er fort gjort å skjære seg.

1. Legg produktet ned på produktets høyre side. (Fig. 40)
2. Fjern de to skruene (A) og vertikalskjærrerdekslet (B). Skyv utstyret for vertikalskjæring (C) opp og ut for å fjerne det. (Fig. 41)
3. Skyv det nye utstyret for vertikalskjæring (C) inn i sporet og ned i hullet. Fest vertikalskjærrerdekslet (B) og de to skruene (A). (Fig. 42)

## Feilsøking

### Batteri

LED-indikator på batteriet	Årsak	Løsning
Den grønne LED-lampen blinker.	Batterispenningen er lav.	Lad batteriet. Se <i>Slik lader du batteriet på side 273</i> .
Feilindikatoren for batteriet blinker.	Batteriet er for kaldt eller for varmt for bruk.	La batteriet avkjøles, eller ta det med innendørs for å varme det opp. Når batteriet har riktig temperatur, kan det brukes igjen. Bruk batteriet i produktet bare i omgivelsestemperaturer fra 5 °C til -40 °C.
	Batteriet er utladet.	Lad batteriet. Se <i>Slik lader du batteriet på side 273</i> .
Feilindikatoren for batteriet tennes.	Det har oppstått en permanent batterifeil.	Ta kontakt med Husqvarna-serviceforhandleren din.

## Batterilader

Indikatorlampe på batteriladeren	Årsak	Løsning
LED-feilindikatoren blinker eller tennes.	Batterieladeren er for kald eller for varm for bruk.	La batteriladeren avkjøles, eller ta den med innendørs for å varme den opp. Når batteriladeren har riktig temperatur, kan den brukes igjen. Bruk batteriladeren bare i omgivelsestemperaturer fra 5 °C til 40 °C.
	Andre feil.	Ta kontakt med Husqvarna-serviceforhandleren din.

## Kontrollpanel

Feil	Feilkode (antall lysblink)	Mulige feil	Mulig handling
LED-feillampen blinker.	3	Motoren er overbelastet.	Reduser arbeidsdybden. Se <i>Slik angir du arbeidsdybde på side 272</i> . Hvis LED-feillampen fortsetter å blinke, er utstyret for vertikalskjæring blokkert. Når du skal hindre utilsiktet start, vrir du tenningsnøkkelen til 0, tar ut batteriet og venter i minst fem sekunder. Kontroller at utstyret for vertikalskjæring kan bevege seg fritt. Hvis problemet vedvarer, kontakter du et autorisert serviceverksted.
	5	Motorturtallet faller for mye, og motoren stopper.	
	9	Motorstyringen er for varm.	Stopp motoren, og vent til den er avkjølt.
	7	Batterifeil eller ingen signaler fra batteriet.	Sett batteriet inn i produktet på riktig måte, og undersøk batterikontakten. Hvis feilindikatoren på batteriet blinker, kan du se <i>Batteri på side 275</i> .
		Batteriet er svakt.	Lad batteriet. Se <i>Slik lader du batteriet på side 273</i> .
Produktet stopper.	6	Batteriet er svakt.	Lad batteriet. Se <i>Slik lader du batteriet på side 273</i> .
	Ingen lysblink.	Batterikontaktfeil.	Undersøk batterikontakten.
Andre feil	Hvis det oppstår andre feil, må du vri tenningsnøkkelen til 0, ta ut batteriet, og ta kontakt med et godkjent serviceverksted.		

## Transport, oppbevaring og avhending

### Innledning



**ADVARSEL:** For å forhindre utilsiktet start under transport og lagring, vrir du tenningsnøkkelen til 0, tar ut batteriet og venter i minst 5 sekunder.

### Transport

- Loven om farlige varer gjelder de medfølgende Li-ion-batteriene.
- For kommersiell transport må spesielle krav på emballasje og etiketter følges.
- Sørg for at du overholder lovene om farlig materiale når du klargjør produktet for transport. Lokale forskrifter kan gjelde.
- Ta alltid ut batteriet før transport.

- Sett teip på batterikontaktene, og forsikre deg om at batteriet ikke kan bevege seg rundt under transport.
- Sikre produktet under transport.

## Oppbevaring

- Ta alltid ut batteriene når du skal oppbevare produktet.
- La produktet bli avkjølt før oppbevaring.
- For å hindre ulykker må du sikre at batteriet ikke er koblet til produktet under oppbevaring.
- Oppbevar batteriladeren på et innelukket og tørt sted.
- Oppbevar batteriet og batteriladeren på et tørt sted der det ikke er fukt eller frost.
- Koble batteriet fra batteriladeren under oppbevaring.
- Batteriet må ikke oppbevares der det kan forekomme statisk elektrisitet. Ikke oppbevar batteriet i en metallkasse.
- Oppbevar produktet på et sted der omgivelsestemperaturen er mellom -10 °C og 40 °C.
- Oppbevar batteriet et sted temperaturen er mellom 5 og 25 °C og borte fra sollys.
- Oppbevar batteriladeren et sted temperaturen er mellom 5 og 45 °C og borte fra sollys.
- Kontroller at batteriet er ladet til 30–50 % før du setter det til oppbevaring i lange perioder.

- Oppbevar produktet, batteriet og batteriladeren i et låsbart område, utilgjengelige for barn og uautoriserte personer.
- Rengjør produktet, og kontroller at gressoppsamleren er tom.
- Utfør vedlikeholdsprosedyrene som er beskrevet i denne bruksanvisningen. Se *Vedlikeholdsskjema på side 274*.
- Utfør en fullstendig service før oppbevaring over lang tid.

## Avhending

Symbolene på produktet eller produktemballasjen indikerer at produktet ikke skal håndteres som husholdningsavfall. Produktet skal innleveres til et gjenvinningsanlegg som gjenvinner elektrisk og elektronisk utstyr.

Ved å sikre at produktet håndteres på riktig måte, kan du bidra til å motvirke potensielt negative virkninger på miljø og mennesker, som kan oppstå som følge av at produktet ikke avfallshåndteres på riktig måte. Kontakt det lokale renovasjonsvesenet eller forhandleren der du kjøpte produktet hvis du ønsker mer detaljert informasjon.

(Fig. 43)

## Tekniske data

### Tekniske data

<b>S 138i</b>	
<b>Motor</b>	
Motortype	BLDC (børsteløs) 36 V
Hastigheten til tilbehør – SaveE, turtall	3000
Hastigheten til tilbehør – nominelt turtall	3200
Motoreffekt – maks. kW	1,28
Motoreffekt – nominell, kW	0,9
<b>Vekt</b>	
Vekt uten pose (uten batteri), kg	19,5
Vekt med pose (inkl. 1 stk. BLi30), kg	23
<b>Batteri</b>	
Batteritype	Husqvarna-batteriserien
<b>Batteriets driftstid</b>	
Batteriets driftstid, min., (frikjøring) med SavE aktivert, med ett Husqvarna-batteri på 7,5 Ah (BLi30).	195
Batteriets driftstid, min., (frikjøring) med standardmodus aktivert, med ett Husqvarna-batteri på 7,5 Ah (BLi30).	175

<b>S 138i</b>	
<b>Støyutslipp</b> <sup>49</sup>	
Lydeffektnivå, målt dB (A)	89
Lydeffektnivå, garantert L <sub>WA</sub> dB (A)	91
<b>Lydnivåer</b> <sup>50</sup>	
Lydtrykknivå ved brukerens øre, dB (A)	75
<b>Vibrasjonsnivåer</b> <sup>51</sup>	
Håndtak, m/s <sup>2</sup>	5,5
<b>Drift</b>	
Arbeidsdybde, maks./min., mm	-8/+5
Arbeidsbredde, cm	37,5
Feste for knivtinder	5973510-01
Fjærtindertilbehør	5973509-01
Gressoppsamlerkapasitet, liter	45

Godkjente batterier	Type	Batterikapasitet, Ah	Spenning, V	Vekt, lb/kg
BLi30	Litium-ion	7,5	36	4,2 / 1,9
40-B140	Litium-ion	4,0	36	2,6/1,2

Godkjente ladere for de spesifiserte batteriene, BLi	Inngangsspenning, V	Frekvens, Hz	Effekt, W
40-C80	100-240	50-60	68,8
QC250	220-240	50	250

<sup>49</sup> Utslipp av støy til omgivelsene målt som lydeffekt (L<sub>WA</sub>) samsvarer med EF-direktiv 2000/14/EF.

<sup>50</sup> Rapporterte data for lydtrykknivå har en usikkerhetsfaktor (K) på 1,5 dB (A).

<sup>51</sup> Rapporterte data for vibrasjonsnivåer har en usikkerhetsfaktor (K) på 1,5 m/s<sup>2</sup>. Det oppgitte totale vibrasjonsnivået er målt i samsvar med EN 62841-4-7, Vedlegg I, og kan brukes til å sammenligne en maskin med en annen og i en innledende vurdering av eksponering.

---

# Samsvarserklæring

---

## EU-samsvarserklæring

Vi, **Husqvarna AB**, SE-561 82 Huskvarna, Sverige, tlf.:  
+46 36 146500, erklærer på eget ansvar at produktet:

<b>Beskrivelse</b>	Vertikalskjærer
<b>Merke</b>	Husqvarna
<b>Type/modell</b>	S 138i
<b>ID</b>	Serienumre datert 2023 og senere

fullstendig overholder følgende EU-direktiver og  
-forskrifter:

Direktiv/regulering	Beskrivelse
2011/65/EU	«om begrensning av bruk av visse farlige stoffer i elektrisk og elektronisk utstyr»
2006/42/EF	«angående maskiner»
2014/30/EU	«angående elektromagnetisk kompatibilitet»
2000/14/EF	«angående utslipp av støy til omgivelsene»

og at følgende standarder eller tekniske spesifikasjoner  
er anvendt: EN 62841-1:2015/A11:2022, EN IEC  
62841-4-7:2022/A11:2022, EN ISO 12100:2010, EN  
55014-1:2017/A11:2020, EN 55014-2:2015, EN IEC  
63000:2018.

For informasjon som gjelder støyutslipp, kan du se  
*Tekniske data på side 277.*

Huskvarna, 2023-12-30



Claes Losdal

Utviklingsjef/hageproduktansvarlig

Husqvarna AB

Ansvarlig for teknisk dokumentasjon





---

# SPIS TREŚCI

---

Wstęp.....	281	Rozwiązywanie problemów.....	292
Bezpieczeństwo.....	282	Transport, przechowywanie i utylizacja.....	293
Montaż.....	288	Dane techniczne.....	294
Przeznaczenie.....	288	Deklaracja zgodności.....	296
Przeгляд.....	290		

---

## Wstęp

---

### Opis produktu

Produkt jest elektrycznym pchanym wertykulatorem. Produkt usuwa filc i mech z trawnika oraz rozluźnia glebę, aby umożliwić nawodnienie i napowietrzenie trawnika. Filc jest zbierany do kosza na trawę lub wyrzucany na trawnik. Produkt ma 2 rodzaje osprzętu wertykulacyjnego.

### Osprzęt wertykulacyjny

Patrz *Wymiana osprzętu wertykulacyjnego na stronie 291*, gdzie opisano sposób wymiany osprzętu wertykulacyjnego.

### Zęby noża

Zęby noża usuwają ściółkę i nacinają korzenie trawy w pionie. Zęby noża należy stosować na zboczach,

tarasach i glebach, które mają dużą ilość gliny. Zęby noża umożliwiają przedostanie się wody w głąb trawnika i zapobiegają jej gromadzeniu się na powierzchni.

(Rys. 17)

### Brona sprężynowa

Brona sprężynowa delikatnie usuwa martwą trawę i filc z trawnika bez uszkodzania korzeni trawy.

(Rys. 18)

### Przeznaczenie

Produktu należy używać do usuwania filcu i mchu oraz do rozluźnienia gleby w prywatnych ogrodach. Nie używać produktu do innych zadań.

### Przeгляд produktu

(Rys. 1)

1. Dźwignia hamulca silnikowego
2. Uchwyt górny
3. Panel sterowania
4. Blokada rozruchu
5. Uchwyt dolny
6. Pojemnik na trawę
7. Pokrywa tylna
8. Osłona wertykulatora
9. Pokrywa akumulatora
10. Pokrętło regulacji głębokości roboczej
11. Kluczyk bezpieczeństwa
12. Dioda LED wskaźnika wł./wył.
13. Przycisk WŁ./WYŁ.
14. Przycisk Save
15. Dioda LED wskaźnika SavE
16. Wskaźnik naładowania akumulatora i przycisk akumulatora
17. Brona sprężynowa
18. Akumulator (akcesorium)
19. Ładowarka akumulatora (akcesorium)
20. Klucz sześciokątny
21. Instrukcja obsługi

### Symboly znajdujące się na produkcie

(Rys. 2) OSTRZEŻENIE

(Rys. 3) Przeczytać instrukcje.

(Rys. 4) OSTRZEŻENIE – uważać na odrzucane przedmioty.

(Rys. 5) Osoby postronne powinny zachować odpowiednią odległość.

(Rys. 6) OSTRZEŻENIE – nie zbliżać rąk i stóp do zębów.

(Rys. 7) Przed przystąpieniem do konserwacji odłączyć akumulator.

(Rys. 8) Chronić przed deszczem.

(Rys. 9) Produkt jest zabezpieczony przed rozbryzganiami wody.

(Rys. 10) Niniejszy produkt jest zgodny z obowiązującymi dyrektywami WE.

- (Rys. 11) Ten produkt jest zgodny z przepisami obowiązującymi w Wielkiej Brytanii.
- (Rys. 12) Etykieta emisji hałasu do środowiska zgodnie z dyrektywami oraz przepisami UE i Wielkiej Brytanii, a także przepisami Nowej Południowej Walii „Protection of the Environment Operations (Noise Control) Regulation 2017”. Gwarantowany poziom mocy akustycznej urządzenia jest określony w *Dane techniczne na stronie 294* oraz na etykiecie.

- (Rys. 15) Produkt należy poddać recyklingowi w punkcie zbiórki sprzętu elektrycznego i elektronicznego. (Dotyczy tylko Europy)

- (Rys. 16) Procedura uruchamiania dla modelu LC 141VLi/ LC 141Li: nacisnąć przycisk WŁ./WYŁ., poluzować opóźniacz rozruchu i popchnąć dźwignię hamulca silnika w dół.

- (Rys. 13) Zwolnić dźwignię hamulca silnikowego, aby zatrzymać.

- (Rys. 14) Kod do przeskanowania

**Uwaga:** Pozostałe symbole/naklejki samoprzylepne umieszczone na produkcie dotyczą wymogów związanych z certyfikatami w niektórych krajach.

## Uszkodzenie produktu

Nie odpowiadamy za uszkodzenia naszego produktu, w przypadku gdy:

- produkt jest nieprawidłowo naprawiany.
- produkt jest naprawiany przy użyciu części nie pochodzących od producenta lub niezatwierdzonych przez producenta.
- produkt jest wyposażony w akcesoria nie pochodzące od producenta lub niezatwierdzone przez producenta.
- produkt nie jest naprawiany w autoryzowanym centrum serwisowym lub przez autoryzowaną placówkę.

## Bezpieczeństwo

### Definicje dotyczące bezpieczeństwa

Ostrzeżenia, uwagi i informacje są używane do zwrócenia uwagi na szczególnie ważne sekcje instrukcji obsługi.



**OSTRZEŻENIE:** Jest używane, gdy istnieje ryzyko poważnych obrażeń, śmierci operatora lub uszkodzenia otoczenia w wyniku nieprzestrzegania instrukcji obsługi.



**UWAGA:** Jest używane, gdy istnieje ryzyko uszkodzenia materiałów lub urządzenia w wyniku nieprzestrzegania instrukcji obsługi.

**Uwaga:** Stosuje się, aby przekazać więcej informacji, które są przydatne w danej sytuacji.

### Ostrzeżenia dotyczące bezpieczeństwa ogólnego produktu



**OSTRZEŻENIE:** Zapoznać się ze wszystkimi ostrzeżeniami dotyczącymi bezpieczeństwa, instrukcjami, ilustracjami i specyfikacjami dołączonymi do tego

**produktu.** Niezastosowanie się do wszystkich poniższych instrukcji może spowodować porażenie prądem, pożar i/lub poważne obrażenia.

**Zachować wszystkie ostrzeżenia i instrukcje do korzystania z nich w przyszłości.** Termin „produkt” w ostrzeżeniach dotyczy Twojego produktu zasilanego prądem z sieci elektrycznej (z przewodem) lub produktu zasilanego prądem z akumulatora (bezprowadowego).

### Bezpieczeństwo miejsca pracy

- **Miejsce pracy powinno być czyste i dobrze oświetlone.** Obszary zaciemnione i takie, w których panuje nieład, mogą powodować wypadki.
- **Nie należy używać produktu w atmosferze wybuchowej, takiej jak w przypadku obecności łatwopalnych cieczy, gazów lub pyłów.** Produkt tworzy iskry, które mogą zapalić pył lub opary.
- **Podczas pracy z użyciem produktu należy uważać, aby dzieci i osoby postronne nie zbliżyły się do miejsca pracy.** W wyniku utraty uwagi możesz stracić kontrolę nad urządzeniem.

### Bezpieczeństwo osób

- **Podczas używania produktu należy zachować skupienie, obserwować wykonywane czynności i kierować się zdrowym rozsądkiem.** Produktu nie wolno używać w przypadku zmęczenia ani

pod wpływem narkotyków, alkoholu lub lekarstw.

Chwila nieuwagi podczas obsługi produktu może doprowadzić do poważnych obrażeń.

- **Stosować środki ochrony osobistej. Należy zawsze stosować środki ochrony wzroku.** Sprzęt ochronny, taki jak maski, antypoślizgowe buty robocze, kask lub środki ochrony słuchu stosowane w odpowiednich warunkach pozwalają obniżyć ryzyko odniesienia obrażeń.
- **Należy zapobiec niezamierzonemu rozruchowi. Przed podłączeniem do źródła zasilania i/lub akumulatora, podniesieniem lub przenoszeniem produktu należy upewnić się, że przełącznik znajduje się w położeniu wyłączenia.** Przenoszenie produktu z palcem na przełączniku lub włączenie zasilania produktu, który ma przełącznik w pozycji włączonej, sprzyja wypadkom.
- **Przed włączeniem produktu należy usunąć wszelkie klucze i inne narzędzia.** Klucze lub inne narzędzia, pozostawione przy obracającej się części produktu, mogą spowodować obrażenia ciała.
- **Nie należy przeceniać swoich możliwości. Stać na stabilnym podłożu i zachować równowagę.** Pozwoli to zachować lepszą kontrolę nad produktem w nieoczekiwanych sytuacjach.
- **Należy odpowiednio się ubierać. Nie należy zakładać luźnych ubrań i nosić biżuterii. Włosa oraz ubranie należy trzymać z dala od elementów ruchomych.** Luźna odzież, biżuteria lub długie włosy mogą zostać wciągnięte przez ruchome części.
- **Jeśli dołączone jest wyposażenie służące do podłączenia urządzeń odprowadzających i gromadzących pył, należy zadbać o jego podłączenie i właściwe używanie.** Stosowanie urządzeń odprowadzających pył może ograniczyć zagrożenia związane z obecnością pyłu.
- **Częste używanie produktu nie zwalnia operatora z obowiązku zachowania czujności i przestrzegania zasad bezpieczeństwa dotyczących używania produktu.** Nierozważne działanie może doprowadzić do poważnych obrażeń w ułamku sekundy.

## **Eksplotacja i konserwacja produktu**

- **Nie wymuszaj większych osiągnięć produktu. Używać produktu dopasowanego do zastosowania.** Właściwy produkt pozwoli lepiej i bezpieczniej wykonać pracę z przewidzianą prędkością.
- **Nie wolno używać produktu, jeśli nie można go wyłączyć lub wyłączyć przy użyciu przełącznika.** Jeśli produkt nie może być kontrolowany za pomocą przełącznika, jest on niebezpieczny i musi zostać oddany do naprawy.
- **Przed dokonaniem jakichkolwiek regulacji, zmianą akcesoriów lub pozostawieniem produktu na czas przechowywania należy odłączyć wtyczkę od źródła zasilania i/lub, jeśli jest to możliwe, wymontować akumulator.** Takie działanie zapobiegawcze redukuje ryzyko przypadkowego uruchomienia produktu.
- **Nieużywany produkt należy przechowywać w miejscu niedostępnym dla dzieci. Nie wolno**

pozalać, aby produkt obsługiwały osoby nie zaznajomione z produktem lub niniejszymi instrukcjami. W rękach nieprzeszkolonych użytkowników produkty mogą być niebezpieczne.

- **Konserwować produkty i akcesoria. Produkt należy sprawdzać pod kątem niedopasowania ruchomych części, uszkodzenia elementów i innych nieprawidłowości, które mogą mieć wpływ na jego działanie. W przypadku uszkodzenia naprawić produkty przed jego ponownym użyciem.** Powodem wielu wypadków jest niewłaściwa konserwacja produktów.
- **Narzędzia tnące należy utrzymywać w stanie naostrzonym i czystym.** Właściwie konserwowane narzędzia tnące, z ostrymi krawędziami tnącymi dają mniejsze prawdopodobieństwo zacinania i łatwiej je kontrolować.
- **Produkty, oprzyrządowanie i końcówki itp. muszą być używane zgodnie z niniejszymi instrukcjami, biorąc pod uwagę warunki robocze oraz wykonywane zadanie.** Używanie produktu do zadań innych niż te, do których jest przeznaczony, może być niebezpieczne.
- **Utrzymywać uchwyty i powierzchnie do chwytania w stanie suchym, czystym oraz wolnym od smaru i oleju.** Śliskie uchwyty i powierzchnie do chwytania uniemożliwiają bezpieczną obsługę i kontrolę produktu w nieoczekiwanych sytuacjach.

## **Użytkowanie i konserwacja narzędzia elektrycznego zasilanego akumulatorem**

- **Ładować jedynie za pomocą ładowarki wskazanej przez producenta.** Ładowarka przeznaczona do jednego rodzaju akumulatora może grozić pożarem w przypadku wykorzystania jej do ładowania innego rodzaju akumulatora.
- **Urządzeń należy używać wyłącznie w połączeniu z określonym rodzajem akumulatorów.** Użycie akumulatorów innego rodzaju może stworzyć zagrożenie obrażeniami ciała i pożarem.
- **Kiedy akumulator nie jest używany, należy przechowywać go z dala od innych metalowych przedmiotów, takich jak spinacze do papieru, monety, klucze, gwoździe i śruby oraz innych niewielkich metalowych przedmiotów, które mogłyby połączyć dwa zaciski akumulatora.** Spięcie zacisków akumulatora może spowodować oparzenia lub pożar.
- **W niewłaściwych warunkach z akumulatora może wypłynąć płyn. Należy unikać kontaktu z tym płynem. Jeżeli dojdzie do kontaktu, przemyć wodą. Jeśli dojdzie do kontaktu płynu z oczami, należy dodatkowo skorzystać z pomocy medycznej.** Płyn wydostający się z akumulatora może wywołać podrażnienia lub oparzenia.
- **Nie używać akumulatora ani narzędzia, jeśli są one uszkodzone lub zostały zmodyfikowane.** Uszkodzone lub zmodyfikowane akumulatory mogą charakteryzować się nieprzewidywalnymi

właściwościami skutkującymi pożarem, eksplozją lub ryzykiem doznania obrażeń przez użytkownika.

- **Nie wystawiać akumulatora ani narzędzia na działanie ognia bądź nadmiernej temperatury.** Narażenie na pożar lub temperaturę przekraczającą 130°C (265°F) może spowodować wybuch.
- **Postępować zgodnie ze wszystkimi instrukcjami dotyczącymi ładowania i nie ładować akumulatora ani narzędzia w temperaturach wykraczających poza zakres określony w instrukcji.** Nieprawidłowe ładowanie lub ładowanie w temperaturach wykraczających poza dopuszczalny zakres może uszkodzić akumulator i zwiększyć ryzyko pożaru.

## Serwis

- **Produkt może serwisować wyłącznie wykwalifikowany personel serwisowy przy użyciu identycznych części zamiennych.** Zapewni to bezpieczeństwo użytkownika produktu.
- **Pod żadnym pozorem nie należy serwisować uszkodzonych akumulatorów.** Akumulatory może serwisować wyłącznie producent lub autoryzowany serwis.

## Ostrzeżenia dotyczące bezpieczeństwa urządzenia

- **Nie używać urządzenia przy złych warunkach pogodowych, szczególnie jeśli istnieje ryzyko wystąpienia burzy.** Zmniejsza to ryzyko porażenia piorunem.
- **Dokładnie sprawdź obszar, w którym ma być używane urządzenie, pod kątem występowania dzikich zwierząt.** Podczas pracy urządzenia może dojść do obrażeń ciała u dzikich zwierząt.
- **Należy dokładnie sprawdzić miejsce, w którym będzie używane urządzenie i usunąć wszelkie kamienie, patyki, druty, kości i inne przedmioty.** Wyrzucane przedmioty mogą spowodować obrażenia.
- **Przed użyciem urządzenia należy zawsze wzrokowo sprawdzić, czy zęby i zespół zębów nie są zużyte ani uszkodzone.** Zużyte lub uszkodzone części zwiększają ryzyko odniesienia obrażeń.
- **Regularnie sprawdzaj pojemnik na trawę pod kątem zużycia.** Zużyty lub uszkodzony pojemnik na trawę może zwiększyć ryzyko odniesienia obrażeń.
- **Oslony muszą być założone. Oslony muszą być sprawne i prawidłowo zamontowane.** Poluzowana, uszkodzona lub nieprawidłowo działająca osłona może spowodować obrażenia.
- **Utrzymywać wszelkie wloty powietrza chłodzącego w czystości.** Zablokowane wloty powietrza i zanieczyszczenia mogą spowodować przegrzanie lub wywołać pożar.
- **Podczas obsługi urządzenia należy zawsze nosić obuwie przeciwpoślizgowe i ochronne. Nie obsługiwać urządzenia boso ani w sandałach.** Zmniejsza to ryzyko obrażeń stóp w wyniku kontaktu z ruchomymi zębami.

- **Podczas obsługi urządzenia należy zawsze nosić długie spodnie.** Odsłonięta skóra jest bardziej narażona na obrażenia powodowane przez wyrzucane przedmioty.
- **Nie używać produktu do koszenia mokrej trawy. Należy iść, nie biec.** Zmniejsza to ryzyko poślizgnięcia się i upadku, a tym samym odniesienia obrażeń.
- **Nie wolno używać urządzenia na zbyt stromych zboczach.** Zmniejsza to ryzyko utraty kontroli, poślizgnięcia się i upadku, a tym samym odniesienia obrażeń.
- **Podczas pracy na pochyłościach należy zawsze stawać na stabilnym podłożu i pracować w poprzek zbocza, a nie w górę lub w dół, a także zachować szczególną ostrożność przy zmianie kierunku jazdy.** Zmniejsza to ryzyko utraty kontroli, poślizgnięcia się i upadku, a tym samym odniesienia obrażeń.
- **Należy zachować szczególną ostrożność przy wycofywaniu lub przyciąganiu urządzenia do siebie. Należy zawsze uważać na otoczenie.** Zmniejsza to ryzyko potknięcia się podczas pracy.
- **Urządzenie należy trzymać wyłącznie za izolowaną powierzchnię uchwytu, ponieważ zęby mogą się zetknąć z niewidocznymi przewodami lub własnym kablem zasilającym.** Zęby, które zetknęły się z przewodem pod napięciem, mogą wywołać przepływ prądu przez nieosłonięte metalowe części urządzenia, co może skutkować porażeniem operatora prądem.
- **Nie wolno dotykać zębów ani innych niebezpiecznych ruchomych części, gdy są w ruchu.** Zmniejsza to ryzyko odniesienia obrażeń przez ruchome części.
- **Na czas usuwania zakleszczonego materiału lub czyszczenia urządzenia należy upewnić się, że wszystkie przełączniki znajdują się w pozycji wyłączenia, a akumulator jest odłączony.** Nieoczekiwane uruchomienie urządzenia może spowodować poważne obrażenia ciała.

## Ogólne zasady bezpieczeństwa



**OSTRZEŻENIE:** Przed rozpoczęciem użytkowania produktu przeczytać następujące ostrzeżenia.

- Produkt ten może być niebezpieczny w przypadku jego nieprawidłowego użytkowania i niezachowania ostrożności. Nieprzestrzeganie instrukcji bezpieczeństwa może spowodować obrażenia ciała lub śmierć.
- Niniejszy produkt podczas pracy wytwarza pole elektromagnetyczne. W pewnych okolicznościach pole to może zakłócać pracę aktywnych lub pasywnych implantów medycznych. Przed użyciem tego produktu osoby z wszczepionym implantem medycznym powinny skonsultować się z lekarzem i producentem implantu w celu ograniczenia ryzyka poważnych lub śmiertelnych obrażeń.

- Zawsze zachowywać ostrożność i kierować się zdrowym rozsądkiem. Jeśli nie ma pewności, w jaki sposób należy obsługiwać ten produkt w konkretnej sytuacji, przed wznowieniem pracy należy porozmawiać z dealerem Husqvarna.
- Pamiętać o tym, że operator ponosi odpowiedzialność za wypadki z udziałem innych ludzi i ich własności.
- Utrzymywać produkt czystym. Upewnić się, że można łatwo odczytać oznaczenia i naklejki.
- Nie wolno pozwalać dzieciom ani osobom, które nie zapoznały się z niniejszymi instrukcjami obsługi, na obsługiwanie urządzenia. Przepisy lokalne mogą narzucać ograniczenia dotyczące wieku operatora urządzenia.
- Należy zawsze kontrolować osobę o ograniczonych możliwościach fizycznych lub umysłowych podczas używania produktu. Zawsze musi jej towarzyszyć odpowiedzialna osoba dorosła.
- Osoba, która jest zmęczona, chora lub pod wpływem alkoholu, narkotyków lub lekarstw nie może obsługiwać urządzenia. Stany te mają negatywny wpływ na wzrok, uwagę, koordynację i osąd.
- Jeżeli produkt jest uszkodzony lub nie działa prawidłowo, nie należy go używać.
- Nie wolno dokonywać w maszynie zmian stanowiących modyfikację jej oryginalnej wersji. Nie używać maszyny, jeżeli istnieje podejrzenie, że ktoś inny wprowadził w niej zmiany.

## Pracuj bezpiecznie



**OSTRZEŻENIE:** Przed rozpoczęciem użytkowania produktu przeczytać następujące ostrzeżenia.

- Produkt ten należy używać wyłącznie do usuwania filcu i mchu z trawników. Nie jest dozwolone wykorzystanie maszyny do innych zadań.
- Stosować środki ochrony osobistej. Patrz *Środki ochrony osobistej na stronie 285*.
- Należy zawsze wiedzieć, jak szybko wyłączyć silnik w razie awarii.
- Nie używać urządzenia podczas deszczu ani w wilgotnym otoczeniu. Może to zwiększyć ryzyko porażenia prądem elektrycznym.
- Nie należy obsługiwać urządzenia, jeśli zęby oraz wszystkie pokrywy nie zostały prawidłowo zamocowane. Nieprawidłowo zamocowane zęby mogą się obluźować i spowodować obrażenia.
- Należy upewnić się, że zęby nie uderzają w żadne obiekty, takie jak kamienie czy korzenie. Może to spowodować uszkodzenie zębów oraz wygięcie wału silnika. Zgięta oś powoduje silne wibracje oraz bardzo wysokie zagrożenie obluźowaniem zębów.
- Jeśli zęby uderzą w jakikolwiek obiekt lub jeśli wystąpią drgania, należy natychmiast wyłączyć urządzenie. Wyłącz silnik, przekręć kluczyk bezpieczeństwa do położenia „0” i wyjmij

akumulator. Poczekać, aż ruchome części zatrzymają się. Należy sprawdzić maszynę pod kątem uszkodzeń. Dokręcić luźne części. Naprawić uszkodzenia i wymienić uszkodzone części. Wykonanie przeglądu należy zlecić autoryzowanemu warsztatowi obsługi technicznej.

- Nigdy nie należy na stałe przymocowywać uchwytu hamulca silnikowego do uchwytu podczas pracy silnika.
- Maszynę należy ustawić na stabilnej, płaskiej powierzchni i ją uruchomić. Należy upewnić się, że zęby nie uderzają o podłoże lub w inne przedmioty.
- Podczas obsługi maszyny zawsze należy stać za nią.
- Podczas obsługi maszyny należy upewnić się, że wszystkie koła dotykają podłoża oraz trzymać na kierownicy obie dłonie. Nie wolno zbliżać rąk ani stóp do obracających się zębów.
- Nie przechylać produktu podczas uruchamiania silnika ani podczas pracy produktu.
- Należy zachować ostrożność podczas ciągnięcia maszyny do tyłu.
- Nigdy nie należy podnosić maszyny przy włączonym silniku. Jeśli konieczne jest podniesienie urządzenia, należy najpierw wyłączyć silnik, przekręcić kluczyk bezpieczeństwa do położenia „0” i wyjąć akumulator.
- Nie należy poruszać się do tyłu podczas obsługi maszyny.
- Gdy zachodzi konieczność przechylenia produktu na czas transportu lub przed rozpoczęciem jazdy po obszarach bez trawy, np. po ścieżkach wykonanych ze żwiru, kamienia lub asfaltu, zatrzymać silnik.
- Nie należy biegać z maszyną przy włączonym silniku. Podczas obsługi maszyny zawsze należy poruszać się chodem.
- Przed zmianą głębokości roboczej należy wyłączyć silnik. Nie wolno przeprowadzać regulacji, gdy silnik pracuje.
- Nigdy nie należy pozostawiać maszyny poza zasięgiem wzroku przy włączonym silniku. Wyłącz silnik, przekręć kluczyk bezpieczeństwa do położenia „0” i wyjmij akumulator. Upewnić się, że osprzęt wertykalny nie obraca.
- Drgania produktu podczas pracy mogą różnić się od wartości drgań deklarowanej w *Dane techniczne na stronie 294*. Różnica jest spowodowana różnymi sposobami użytkowania produktu. W przypadku częstej lub dłuższej eksploatacji produktu należy regularnie robić przerwy, aby zapobiec obrażeniom ciała w wyniku wibracji.

## Instrukcje bezpieczeństwa dotyczące obsługi

### Środki ochrony osobistej



**OSTRZEŻENIE:** Przed rozpoczęciem użytkowania produktu przeczytać następujące ostrzeżenia.

- Środki ochrony osobistej nie eliminują ryzyka odniesienia obrażeń, ograniczają natomiast ich rozmiar w razie zaistnienia wypadku. Skorzystaj z pomocy dealera przy wyborze odpowiedniego sprzętu.
- Należy używać mocnego, przeciwpoślizgowego obuwia ochronnego lub obuwia roboczego. Nie należy używać otwartego obuwia lub chodzić boszo.
- Stosować wytrzymałe, długie spodnie.
- W razie potrzeby, na przykład podczas mocowania, badania czy czyszczenia narzędzi tnących, stosować rękawice ochronne.
- Zalecamy stosowanie ochronników słuchu.
- Uruchomić i wyłączyć silnik, aby przeprowadzić kontrolę kluczyka bezpieczeństwa.
- Jeżeli kluczyk bezpieczeństwa działa prawidłowo, silnik uruchomi się tylko po przekręceniu kluczyka do położenia 1.

(Rys. 20)

### Sprawdzanie zabezpieczenia przed niepożądanym uruchomieniem

Skontrolować zabezpieczenie przed niepożądanym uruchomieniem urządzenia, aby upewnić się, że zapobiega ono uruchomieniu silnika.

1. Pchnąć dźwignię hamulca silnikowego w stronę uchwyty sterowniczego. Zabezpieczenie przed niepożądanym uruchomieniem urządzenia zatrzymuje ruch.
2. Popchnąć zabezpieczenie przed niepożądanym uruchomieniem na zewnątrz. (Rys. 21)
3. Zwolnić zabezpieczenie przed niepożądanym uruchomieniem urządzenia, aby upewnić się, że powróci do swojego położenia wyjściowego.

### Zasady bezpieczeństwa związane z akumulatorem



**OSTRZEŻENIE:** Przed rozpoczęciem użytkowania produktu przeczytać następujące ostrzeżenia.

- Używać akumulatorów Husqvarna wyłącznie do zasilania powiązanych produktów Husqvarna. Aby uniknąć obrażeń, nie należy używać akumulatora jako źródła zasilania innych produktów.
- Nie używać baterii jednorazowego użytku.
- Ryzyko porażenia prądem. Nie przykładac zacisków akumulatora do kluczy, monet, śrub lub innych metalowych przedmiotów. Może to spowodować zwarcie akumulatora.
- Nie wkładać żadnych przedmiotów do szczelin wewnętrznych akumulatora.
- Chronić akumulator przed bezpośrednim działaniem promieni słonecznych, wysoką temperaturą i otwartym płomieniem. Akumulator może wybuchnąć i spowodować oparzenia i/lub oparzenia chemiczne.
- Akumulator należy chronić przed deszczem i wodą.
- Akumulator należy chronić przed działaniem mikrofal i wysokiego ciśnienia.
- Nie próbować rozbierać ani rozbijać akumulatora.
- Jeśli doszło do wycieku z akumulatora, unikać kontaktu cieczy ze skórą i oczami. W przypadku dotknięcia cieczy przemyć skórę dużą ilością wody i zgłosić się do lekarza.
- Akumulator produktu może być używany wyłącznie przy temperaturze otoczenia od 5 do 40°C.

### Urządzenia zabezpieczające na produkcji



**OSTRZEŻENIE:** Przed rozpoczęciem użytkowania produktu przeczytać następujące ostrzeżenia.

- Nie używać produktu z urządzeniami zabezpieczającymi, które są uszkodzone lub nie działają prawidłowo.
- Nie wolno wymontowywać ani modyfikować urządzeń zabezpieczających.
- Regularnie przeprowadzać kontrole urządzeń zabezpieczających. Jeśli urządzenia zabezpieczające są uszkodzone lub nie działają prawidłowo, należy skontaktować się z warsztatem obsługi technicznej Husqvarna.

### Sprawdzanie osłon

Osłona wertykulatora ogranicza drgania produktu i obniża ryzyko odniesienia obrażeń od osprzętu wertykulacyjnego.

- Sprawdzić boczną osłonę wertykulatora, aby upewnić się, że nie nosi ona znamion uszkodzenia, takich jak pęknięcia.
- Sprawdzić tylną osłonę wertykulatora, aby upewnić się, że nie nosi ona znamion uszkodzenia, takich jak pęknięcia.

### Dźwignia hamulca silnikowego

Uchwyt hamulca silnika zatrzymuje silnik. Po zwolnieniu uchwytu hamulca silnika następuje wyłączenie silnika.

Aby przeprowadzić kontrolę hamulca silnika, należy uruchomić silnik, a następnie zwolnić uchwyt hamulca silnika. Jeśli silnik nie wyłączy się w czasie 3 sekund, autoryzowany punkt serwisowy Husqvarna powinien wyregulować hamulec silnika.

(Rys. 19)

### Kluczyk bezpieczeństwa

Kluczyk bezpieczeństwa znajduje się pod pokrywą akumulatora. Kluczyk bezpieczeństwa służy do podłączenia akumulatora, który zasilą silnik.

- Ładowarka akumulatora może być używana wyłącznie przy temperaturze otoczenia od 5 do 40°C.
- Akumulator nie będzie się ładować, jeżeli jego temperatura przekroczy 50°C.
- Do czyszczenia akumulatora i ładowarki nie należy używać wody. Patrz *Akumulator na stronie 292*.
- Nie wolno używać uszkodzonego akumulatora.
- Przechowywać akumulatory z dala od metalowych przedmiotów, takich jak gwoździe, monety czy biżuteria.

## Zasady bezpieczeństwa w czasie obsługi ładowarki



**OSTRZEŻENIE:** Przed rozpoczęciem użytkowania produktu przeczytać następujące ostrzeżenia.

- Używać ładowarki QC jedynie do ładowania akumulatorów wymiennych Husqvarna.
- Istnieje ryzyko porażenie prądem i zwarcia. Nie wkładać żadnych przedmiotów do szczeliny wentylacyjnych ładowarki. Nie należy podejmować prób rozmontowania ładowarki. Nie zwierać końcówek ładowarki metalowymi przedmiotami. Należy korzystać z zatwierdzonego gniazda zasilania.
- Niniejszy produkt podczas pracy wytwarza pole elektromagnetyczne. W pewnych okolicznościach pole to może zakłócać pracę aktywnych lub pasywnych implantów medycznych. Przed przystąpieniem do pracy z produktem, w celu ograniczenia ryzyka poważnych lub śmiertelnych obrażeń, osoby posiadające implanty medyczne powinny skonsultować się z lekarzem oraz ich producentem.
- Należy regularnie sprawdzać, czy przewód zasilający ładowarki do akumulatora nie jest uszkodzony i popękany.
- Nie podnosić ładowarki do akumulatora za przewód zasilający. Aby odłączyć ładowarkę do akumulatora od gniazda, wyciągnąć wtyczkę. Nie ciągnąć za przewód.
- Uważać, aby przewód zasilający i przedłużacze nie stykały się z wodą, olejem ani nie dotykały ostrych krawędzi. Uważać także, aby przewód nie został zakleszczony w drzwiach, furtkach, płotach itp. Może to spowodować, że ładowarka znajdzie się pod napięciem.
- Do czyszczenia ładowarki nie należy używać wody.
- Ładowarka do akumulatora może być używana przez dzieci, które przekroczyły 8 rok życia, oraz przez osoby o ograniczonych zdolnościach fizycznych, sensorycznych bądź umysłowych lub nie posiadające odpowiedniego doświadczenia i wiedzy, jeśli są one pod nadzorem lub zostały poinstruowane w zakresie bezpiecznego użytkowania ładowarki i rozumieją wiążące się z nią zagrożenia. Dzieci

nie mogą bawić się ładowarką do akumulatora. Dzieci nie mogą bez nadzoru czyścić urządzenia ani przeprowadzać jego konserwacji.

- Nie należy ładować akumulatorów nieprzeznaczonych do ładowania.
- Nie używać ładowarki do akumulatora w pobliżu łatwopalnych materiałów lub materiałów, które mogą powodować korozję. Ładowarki nie należy przykrywać. W razie zauważenia dymu lub ognia należy odłączyć ładowarkę od źródła zasilania.
- Nie należy używać wadliwej lub uszkodzonej ładowarki do akumulatora.
- Należy ładować akumulator wyłącznie wewnątrz budynku, w pomieszczeniu z dobrym przepływem powietrza i z dala od światła słonecznego. Nie ładować akumulatora w wilgotnym otoczeniu.

## Instrukcje bezpieczeństwa dotyczące konserwacji



**OSTRZEŻENIE:** Przed rozpoczęciem użytkowania produktu przeczytać następujące ostrzeżenia.

- Aby zapobiec przypadkowemu włączeniu w trakcie prac konserwacyjnych, należy przekreślić kluczyk bezpieczeństwa w położeniu „0” i wyjąć akumulator. Przed rozpoczęciem prac konserwacyjnych odczekać co najmniej 5 s.
- Prace konserwacyjne należy wykonywać w prawidłowy sposób, aby zwiększyć żywotność produktu i zmniejszyć ryzyko wypadków. Wykonanie profesjonalnych napraw należy zlecić autoryzowanemu punktowi serwisowemu. Więcej informacji można uzyskać w najbliższym punkcie serwisowym.
- Należy wykonywać jedynie prace konserwacyjne opisane w instrukcji obsługi. Większe i bardziej skomplikowane prace muszą być wykonywane w autoryzowanym punkcie serwisowym.
- Nie wolno wymontowywać ani modyfikować urządzeń zabezpieczających, ponieważ grozi to uszkodzeniem obrażeń.
- Podczas obsługi osprzętu wertykulacyjnego należy nosić specjalistyczne rękawice. Osprzęt wertykulacyjny jest bardzo ostry i może łatwo doprowadzić do skaleczenia.
- Aby uzyskać jak najlepsze efekty i zapewnić bezpieczeństwo, zęby osprzętu wertykulacyjnego powinny być ostre i czyste.
- Regularnie oddawać urządzenie do autoryzowanego punktu serwisowego w celu jego kontroli i dokonania koniecznych regulacji lub napraw.
- Wymienić uszkodzone, zużyte lub zniszczone części. Zawsze należy używać oryginalnych części zamiennych, dostarczanych przez producenta. Inne części zamienne mogą spowodować uszkodzenie produktu i zwiększyć ryzyko wypadków.

- Należy przestrzegać instrukcji wymiany akcesoriów. Używać wyłącznie akcesoriów od producenta urządzenia.
- Gdy urządzenie nie jest użytkowane, należy przechowywać produkt, akumulator i ładowarkę

z dala od siebie, w suchym i zamkniętym pomieszczeniu. Upewnić się, że dzieci ani osoby niepowołane nie mogą uzyskać dostępu do produktu, akumulatora ani ładowarki.

## Montaż

### Wstęp



**OSTRZEŻENIE:** Przed montażem produktu należy przeczytać rozdział dotyczący bezpieczeństwa.



**OSTRZEŻENIE:** Aby uniknąć niezamierzonego uruchomienia w trakcie montażu, należy przekręcić kluczyk zabezpieczający w położenie „0”, wyjąć akumulator i odczekać przynajmniej 5 s.

### Montaż uchwytu

1. Poluzować dolne pokrętła.
2. Przesunąć pokrętła do dolnych końców rowków po lewej i prawej stronie produktu. (Rys. 22)
3. Ustawić wysokość uchwytu w jedną z 2 dostępnych pozycji.
4. Przesunąć pokrętła w górę w kierunku uchwytu aż do zatrzaśnięcia. (Rys. 23)

5. Dokręcić do końca pokrętła.

### Montaż pojemnika na trawę

1. Przymocować ramę pojemnika na trawę do worka na trawę tak, aby sztywna część worka znajdowała się na dole. Upewnić się, że uchwyt ramy znajduje się na górze worka na trawę. (Rys. 24)
2. Zamocować dolną część ramy pojemnika na trawę w rowku na spodzie pojemnika na trawę.
3. Przymocować worek do ramy pojemnika na trawę za pomocą zacisków. (Rys. 25)
4. Unieść tylną osłonę.
5. Umieścić kosz na trawę we właściwej pozycji. (Rys. 26)
6. Zamocować zbiornik na trawę do górnej krawędzi obudowy. Upewnić się, że tylna osłona dolega do kosza na trawę, aby zapobiec wysypywaniu. (Rys. 27)

## Przeznaczenie

### Wstęp



**OSTRZEŻENIE:** Przed użyciem urządzenia należy przeczytać ze zrozumieniem rozdział poświęcony bezpieczeństwu.

### Husqvarna Connect

Husqvarna Connect to darmowa aplikacja na urządzenia mobilne. Husqvarna ConnectHusqvarna

- Extended product information.
- Information about, and help with, product parts and servicing.

### Rozpoczęcie użytkowania Husqvarna Connect

1. Pobierz aplikację Husqvarna Connect na swoim urządzeniu mobilnym.
2. Zarejestruj się w aplikacji Husqvarna Connect.
3. Wykonaj instrukcje wyświetlane w aplikacji Husqvarna Connect, aby nawiązać połączenie i zarejestrować produkt.

### Ustawianie głębokości roboczej



**OSTRZEŻENIE:** Nie regulować głębokości roboczej podczas działania produktu.

1. Aby zwiększyć głębokość roboczą, należy nacisnąć i obrócić pokrętło regulacyjne głębokości roboczej w lewo.
2. Aby zmniejszyć głębokość roboczą, należy nacisnąć i obrócić pokrętło regulacyjne głębokości roboczej w prawo. (Rys. 28)

### Akumulator



**OSTRZEŻENIE:** Przed rozpoczęciem korzystania z akumulatora należy przeczytać ze zrozumieniem rozdział poświęcony bezpieczeństwu. Należy również przeczytać uważnie instrukcję obsługi dołączonej do akumulatora i ładowarki.



Zapewnić akumulatorowi i ładowarce prawidłową temperaturę otoczenia.

	Temperatura otoczenia
Działanie akumulatora	5–40°C
Ładowanie akumulatora	5–40°C

## Stan akumulatora

Na wyświetlaczu pokazywane są informacje o stanie naładowania akumulatora i sygnalizowane ewentualne problemy. Aby uzyskać informacje o stanie naładowania akumulatora, należy nacisnąć przycisk wskaźnika akumulatora. W przypadku wystąpienia błędu włącza się symbol ostrzegawczy na akumulatorze. Patrz *Akumulator na stronie 292*.

(Rys. 29)

Diody LED	Stan akumulatora
Świecą się wszystkie diody LED.	W pełni naładowany (76–100%).
Świecą się diody LED 1, LED 2, LED 3.	Poziom naładowania akumulatora: 51%–75%
Świecą się diody LED 1, LED 2.	Poziom naładowania akumulatora: 26%–50%
Świeci dioda LED 1	Poziom naładowania akumulatora: 6%–25%.
Miga dioda LED 1	Poziom naładowania akumulatora: 0%–5%.

## Ładowanie akumulatora

Przed pierwszym użyciem należy naładować akumulator. W chwili dostawy do klienta akumulator jest naładowany jedynie w 30%.

**Uwaga:** Ładowarka do akumulatora musi zostać podłączona do napięcia i częstotliwości wskazanych na tabliczce znamionowej.

Akumulator nie ładuje się, gdy temperatura akumulatora przekracza 50°C. Przed rozpoczęciem ładowania ładowarka zmniejsza temperaturę akumulatora.

1. Podłączyć jeden koniec przewodu zasilającego ładowarki do gniazda ładowarki.
2. Podłączyć drugi koniec przewodu zasilającego ładowarki do gniazda sieciowego z uziemieniem. Dioda ładowarki błysnie jeden raz na zielono. (Rys. 30)
3. Włożyć akumulator do ładowarki. Kiedy akumulator jest prawidłowo podłączony do ładowarki, włącza się na niej zielona dioda. (Rys. 31)

4. Akumulator jest całkowicie naładowany, gdy włącza się wszystkie diody. Akumulator można ładować przez maks. 24 godziny.
5. Aby odłączyć ładowarkę od gniazda sieciowego, należy ciągnąć za wtyczkę, a nie za przewód.
6. Akumulator należy wyjąć z ładowarki.

## Uruchamianie urządzenia

1. Umieścić naładowany akumulator w komorze akumulatora nr 1 pod pokrywą akumulatora. Aby zapewnić dłuższy czas pracy, należy umieścić drugi akumulator w komorze akumulatora nr 2.
2. Obrócić kluczyk bezpieczeństwa do położenia 1. (Rys. 32)
3. Należy pozostawać za maszyną.
4. Nacisnąć przycisk WŁ./WYŁ. (A) na panelu sterowania. Zaświeci się zielona dioda (B). (Rys. 33)
5. Poluzować opóźniacz rozruchu. (Rys. 34)
6. Pchnąć dźwignię hamulca silnika w stronę drążka sterującego. (Rys. 35)

## Korzystanie z funkcji SavE

Urządzenie wyposażone jest w funkcję oszczędzania akumulatora (SavE), która zapewnia dłuższy czas pracy.

1. Aby uruchomić funkcję, należy nacisnąć przycisk SavE (A). Włączy się zielona dioda. (Rys. 36)
2. Ponowne naciśnięcie przycisku SavE wyłączy funkcję. Zgaśnie zielona dioda (B).

## Funkcja dużego obciążenia

Jeżeli urządzenie jest używane do ścinania mokrej lub długiej trawy, silnik automatycznie zwiększy prędkość obrotową. Silnik powróci do trybu standardowego, gdy wysokie obciążenie nie będzie już potrzebne.

## Silnik gaśnie

Podczas pracy nóż i silnik mogą chwilowo zatrzymać się z powodu przeszkód, takich jak nagromadzona trawa pod pokrywą zespołu tnącego. W takim przypadku, jeśli dźwignia hamulca silnikowego jest nadal wciśnięta w dół, urządzenie automatycznie uruchamia się ponownie. Jeśli urządzenie nie uruchomi się ponownie w ciągu 5-10 sekund, konieczne może być wyczyszczenie obszaru pod pokrywą zespołu tnącego. Patrz *Czyszczenie produktu na stronie 291*.



**OSTRZEŻENIE:** Jeśli silnik się zatrzyma, urządzenie będzie próbować automatycznie uruchomić się ponownie przez 5-10 sekund. Przed sprawdzeniem pokrywy zespołu tnącego należy odczekać co najmniej 15 sekund.



**OSTRZEŻENIE:** Przed sprawdzeniem pokrywy zespołu tnącego zwolnić dźwignię hamulca silnikowego, przekręcić kluczyk bezpieczeństwa do pozycji 0, wyjąć akumulator i odczekać co najmniej 5 sekund. Jeśli przeszkoda zostanie usunięta i produkt przypadkowo uruchomi się, można odnieść obrażenia.

## Wyłączanie produktu

Urządzenie zatrzymuje się automatycznie, jeśli nie jest używane przez 10 min. Nigdy nie należy pozostawiać maszyny poza zasięgiem wzroku przy włączonym silniku. Wyłącz silnik, przekręć kluczyk bezpieczeństwa

do położenia „0” i wyjmij akumulator. Upewnij się, że osprzęt wertykalacyjny się nie obraca.

1. Aby wyłączyć silnik, należy zwolnić dźwignię hamulca silnikowego. (Rys. 37)
2. Nacisnąć przycisk WŁ./WYŁ. (A) na panelu sterowania. Zgaśnie zielona dioda (B). (Rys. 33)
3. Otworzyć pokrywę akumulatora i obrócić kluczyk bezpieczeństwa w położenie „0”. (Rys. 38)
4. Aby wyjąć akumulator, nacisnąć jednocześnie 2 przyciski zwalniające i go wyciągnąć. (Rys. 39)
5. Jeżeli poziom naładowania akumulatora jest niski, należy go naładować. Więcej informacji, patrz *Ładowanie akumulatora na stronie 289.*

## Przegląd

### Wstęp



**OSTRZEŻENIE:** Przed przeprowadzeniem konserwacji należy przeczytać i zrozumieć rozdział o bezpieczeństwie.

Do wykonywania wszelkich prac serwisowych i naprawczych konieczne jest specjalistyczne przeszkolenie. Gwarantujemy dostępność profesjonalnych napraw i usług serwisowych. Jeśli dany dealer nie jest autoryzowanym punktem serwisowym, poproś sprzedawcę o informacje na temat najbliższego autoryzowanego punktu serwisowego.

Aby uzyskać więcej szczegółowych informacji, patrz [www.husqvarna.com](http://www.husqvarna.com).

### Plan konserwacji

Odstępy pomiędzy konserwacjami obliczane są w oparciu o codzienne wykorzystanie produktu. Odstępy te ulegają zmianie, jeśli maszyna nie jest użytkowana codziennie.

Czynności konserwacyjne oznaczone znakiem \*, patrz *Urządzenia zabezpieczające na produkcie na stronie 286.*

S 138i	Każde użycie	Co miesiąc	Co sezon
Przeprowadzić ogólny przegląd.	X		
Wyczyścić urządzenie.	X		
Sprawdzić osprzęt wertykulacyjny.	X		
Sprawdzić, czy urządzenia zabezpieczające są sprawne. *	X		
Sprawdzić osłony. *	X		
Sprawdzić dźwignię hamulca silnikowego. *	X		
Sprawdzić blokadę rozruchu. *	X		
Sprawdzić, czy przycisk WŁ./WYŁ. działa poprawnie i jest sprawny.	X		
Sprawdzić akumulator pod kątem uszkodzeń.	X		
Sprawdzić naładowanie akumulatora.	X		
Sprawdzić, czy przyciski zwalniające akumulator działają prawidłowo oraz czy blokuje się on na miejscu w urządzeniu.	X		
Sprawdzić, czy ładowarka nie jest uszkodzona oraz czy działa prawidłowo.		X	
Sprawdzić połączenia pomiędzy akumulatorem a urządzeniem. Sprawdzić również połączenie pomiędzy akumulatorem a ładowarką.			X

## Przegląd ogólny

- Należy upewnić się, że nakrętki i śruby maszyny są dokręcone.
- Upewnić się, że przewody urządzenia nie znajdują się w położeniu, w którym mogłyby ulec uszkodzeniu.

## Czyszczenie produktu

- Plastikowe części należy czyścić czystą i suchą ściereczką.
- Do czyszczenia urządzenia nie należy używać wody. Woda mogłaby dostać się do akumulatora lub silnika i wywołać zwarcie lub uszkodzenie urządzenia.
- Nie używać myjek wysokociśnieniowych do czyszczenia urządzenia.
- Nie polewać silnika bezpośrednio wodą.
- W celu usunięcia liści, trawy i brudu należy użyć szczotki.

## Czyszczenie akumulatora i ładowarki



**OSTRZEŻENIE:** Do czyszczenia akumulatora i ładowarki nie należy używać wody.



**OSTRZEŻENIE:** Do czyszczenia akumulatora nie należy używać żadnych substancji chemicznych.

- Przed włożeniem akumulatora do ładowarki należy sprawdzić, czy akumulator i ładowarka są czyste i suche.
- Zaciski akumulatora należy czyścić sprężonym powietrzem lub miękką i suchą szmatką.
- Powierzchnie akumulatora i ładowarki należy czyścić miękką i suchą szmatką.

## Kontrola osprzętu wertykulacyjnego



**OSTRZEŻENIE:** Aby zapobiec przypadkowemu uruchomieniu, należy przekrócić kluczyk zabezpieczający do położenia 0, wyjąć akumulator i odczekać przynajmniej 5 s.



**OSTRZEŻENIE:** W trakcie konserwacji osprzętu wertykulacyjnego należy używać rękawic ochronnych. Zęby osprzętu wertykulacyjnego są bardzo ostre i mogą łatwo doprowadzić do skaleczenia.

- Należy skontrolować, czy osprzęt wertykulacyjny nie jest uszkodzony ani pęknięty. Zawsze wymieniać uszkodzony osprzęt wertykulacyjny.

## Wymiana osprzętu wertykulacyjnego



**OSTRZEŻENIE:** W trakcie konserwacji osprzętu wertykulacyjnego należy używać rękawic ochronnych. Osprzęt

wertykulacyjny jest bardzo ostry i może łatwo doprowadzić do skaleczenia

3. Wepchnąć nowy osprzęt wertykulacyjny (C) do rowka i w dół otworu. Zamocować osłonę wertykulatora (B) przy użyciu 2 śrub (A). (Rys. 42)

1. Położyć produkt na prawej stronie. (Rys. 40)
2. Wykręcić 2 śruby (A) i zdjąć osłonę wertykulatora (B). Popchnąć osprzęt wertykulacyjny (C) w górę i na zewnątrz, aby go wyjąć. (Rys. 41)

## Rozwiązywanie problemów

### Akumulator

Dioda na akumulatorze	Przyczyna	Rozwiązanie
Miga zielona dioda LED.	Napięcie akumulatora jest niskie.	Naładować akumulator. Patrz <i>Ładowanie akumulatora na stronie 289</i> .
Miga dioda LED błędu akumulatora.	Akumulator jest za zimny lub za gorący, aby można było go używać.	Należy poczekać aż akumulator ostygnie, lub umieścić w pomieszczeniu celem jego ogrzania. Gdy akumulator odzyska właściwą temperaturę, będzie mógł być ponownie używany. Akumulator produktu może być używany wyłącznie przy temperaturze otoczenia od 5 do 40°C.
	Akumulator rozładowany.	Naładować akumulator. Patrz <i>Ładowanie akumulatora na stronie 289</i> .
Zaświeci się dioda LED błędu.	Występuje błąd akumulatora.	Zwrócić się do punktu serwisowego Husqvarna.

### Ładowarka

Dioda na ładowarce	Przyczyna	Rozwiązanie
Dioda LED błędu miga lub zapala się.	Ładowarka jest za zimna lub za gorąca, aby można było jej używać.	Należy poczekać, aż ładowarka ostygnie, lub umieścić w pomieszczeniu celem jej ogrzania. Gdy ładowarka odzyska właściwą temperaturę, będzie mogła być ponownie używana. Ładowarka akumulatora może być używana przy temperaturze otoczenia od 5 do 40°C.
	Inne błędy.	Zwrócić się do punktu serwisowego Husqvarna.

## Panel sterowania

Błąd	Kod błędu (liczba błysków)	Możliwe usterki	Możliwe działania
Miga dioda LED błędu	3	Silnik jest przeciążony.	Zmniejszyć głębokość roboczą. Patrz <i>Ustawianie głębokości roboczej na stronie 288</i> . Jeśli dioda LED usterki nadal miga, osprzęt wertykacyjny jest zablokowany. Aby uniknąć niezamierzonego uruchomienia, należy przekręcić kluczyk zabezpieczający w położenie 0, wyjąk akumulator i odczekać przynajmniej 5 s. Upewnić się, że osprzęt wertykacyjny może się swobodnie obracać. Jeśli problem utrzymuje się, skontaktować się z autoryzowanym punktem serwisowym.
	5	Prędkość obrotowa silnika spada zbyt mocno i silnik wyłącza się.	
	9	Sterownik silnika jest zbyt gorący.	Wyłączyć silnik i poczekać, aż ostygnie.
	7	Błąd akumulatora lub brak sygnału z akumulatora.	Prawidłowo umieścić akumulator w urządzeniu i sprawdzić złącze akumulatora. Jeśli miga dioda LED błędu na akumulatorze, patrz <i>Akumulator na stronie 292</i> .
		Akumulator jest słaby.	Naładować akumulator. Patrz <i>Ładowanie akumulatora na stronie 289</i> .
Urządzenie wyłącza się.	6	Akumulator jest słaby.	Naładować akumulator. Patrz <i>Ładowanie akumulatora na stronie 289</i> .
		Brak migania.	Sprawdzić złącze akumulatora.
Inne błędy	W przypadku wystąpienia innego błędu obrócić kluczyk bezpieczeństwa do położenia 0, wyjąk akumulator i skonsultować się z autoryzowanym warsztatem obsługi technicznej.		

## Transport, przechowywanie i utylizacja

### Wstęp



**OSTRZEŻENIE:** Aby uniknąć niezamierzonego uruchomienia w trakcie transportu i przechowywania, należy przekręcić kluczyk bezpieczeństwa w położenie 0, wyjąk akumulator i odczekać przynajmniej 5 sekund.

niebezpiecznych. Mogą obowiązywać również lokalne przepisy.

- Zawsze wyjmować akumulator na czas transportu.
- Na złączach akumulatora należy przykleić taśmę i upewnić się, że akumulator nie może się przemieszczać w trakcie transportu.
- W trakcie transportu urządzenie należy zamocować.

### Transport

- Przepisy dotyczące towarów niebezpiecznych mają zastosowanie do dołączonych akumulatorów litowo-jonowych.
- W przypadku transportu komercyjnego należy przestrzegać specjalnych wymagań umieszczonych na opakowaniu i etykietach.
- W trakcie przygotowywania urządzenia do transportu należy upewnić się, że postępuje się zgodnie z przepisami dotyczącymi materiałów

### Przechowywanie

- Zawsze wyjmować akumulatory do przechowania.
- Przed rozpoczęciem przechowywania poczekać na ostygnięcie urządzenia.
- Aby uniknąć wypadków, upewnić się, że akumulator jest odłączony od produktu podczas przechowywania.
- Akumulator należy trzymać w zamkniętym i suchym miejscu.
- Akumulator i ładowarkę należy trzymać w suchym miejscu, w którym nie występuje wilgoć ani mróz.

- Na czas przechowywania odłączyć akumulator od ładowarki.
- Nie przechowywać akumulatora w miejscu, gdzie może występować elektryczność statyczna. Nie przechowywać akumulatora w metalowym pojemniku.
- Produkt należy przechowywać w temperaturze otoczenia w zakresie od -10°C do 40°C.
- Akumulator należy przechowywać w temperaturze od 5°C do 25°C, w miejscu osłoniętym przed działaniem promieni słonecznych.
- Ładowarkę należy przechowywać w temperaturze od 5°C do 45°C, w miejscu osłoniętym przed działaniem promieni słonecznych.
- Przed odstawieniem urządzenia na dłuższe przechowywanie należy upewnić się, że poziom naładowania akumulatora wynosi 30%–50%.
- Urządzenie, akumulator i ładowarkę należy trzymać w zamkniętym pomieszczeniu, niedostępnym dla dzieci ani osób nieupoważnionych.
- Wyczyścić produkt i upewnić się, że pojemnik na trawę jest pusty.
- Konserwację należy przeprowadzać wyłącznie według instrukcji użytkownika. Patrz *Plan konserwacji na stronie 290*.
- Przed dłuższym przechowywaniem należy przeprowadzić pełny przegląd.

## Utylizacja

Symbole znajdujące się na urządzeniu oraz na opakowaniu informują o tym, że nie wolno traktować go jak zwykłego odpadu domowego. Musi ono zostać oddane do odpowiedniego punktu pobierania surowców wtórnych, zajmującego się przetwarzaniem urządzeń elektrycznych oraz elektronicznych.

Przekazując produkt w odpowiednie miejsce, pomagasz przeciwdziałać jego potencjalnemu negatywnemu wpływowi na środowisko naturalne i ludzi. Aby uzyskać więcej informacji na temat recyklingu niniejszego produktu, skontaktować się z urzędem miasta lub gminy, przedsiębiorstwem gospodarki komunalnej albo punktem sprzedaży, w którym produkt został kupiony.

(Rys. 43)

---

## Dane techniczne

---

### Dane techniczne

<b>S 138i</b>	
<b>Silnik</b>	
Typ silnika	BLDC (bezszcotkowy) 36 V
Prędkość osprzętu — SavE, obr./min	3000
Prędkość osprzętu — nominalna, obr./min	3200
Moc silnika – maks., kW	1,28
Moc silnika – nominalna, kW	0,9
<b>Waga</b>	
Waga bez torby (bez akumulatora), kg	19,5
Waga z torbą (w tym 1 x BLi30), kg	23
<b>Akumulator</b>	
Typ akumulatora	Akumulatory z serii Husqvarna
<b>Czas pracy na akumulatorze</b>	
Czas pracy akumulatora, min, (swobodna praca) w trybie SavE, z jednym akumulatorem Husqvarna 7,5 Ah (BLi30).	195
Czas pracy akumulatora, min, (swobodna praca) w trybie standardowym, z jednym akumulatorem Husqvarna 7,5 Ah (BLi30).	175

<b>S 138i</b>	
<b>Poziom hałas</b> <sup>52</sup>	
Zmierzony poziom mocy akustycznej, dB(A)	89
Poziom głośności, gwarantowana moc akustyczna L <sub>WA</sub> dB(A)	91
<b>Poziomy głośności</b> <sup>53</sup>	
Poziomy ciśnienia akustycznego przy uchu operatora, dB(A)	75
<b>Poziomy drgań</b> <sup>54</sup>	
Uchwyt, m/s <sup>2</sup>	5,5
<b>Działanie</b>	
Głębokość robocza maks./min., mm	-8/+5
Szerokość robocza, cm	37,5
Brona zębów noża	5973510-01
Brona sprężynowa	5973509-01
Pojemność pojemnika na trawę, l	45

Zatwierdzone akumulatory	Typ	Pojemność akumulatora, Ah	Napięcie, V	Waga, funty/kg
BLi30	Litowo-jonowy	7,5	36	4,2/1,9
40-B140	Litowo-jonowy	4,0	36	2,6/1,2

Zatwierdzone ładowarki obsługujące określone akumulatory, BLi	Napięcie wejściowe, V	Częstotliwość, Hz	Moc, W
40-C80	100–240	50–60	68,8
QC250	220–240	50	250

<sup>52</sup> Emisję hałasu do otoczenia zmierzono jako moc akustyczną (L<sub>WA</sub>), zgodnie z dyrektywą Rady 2000/14/WE.

<sup>53</sup> Współczynnik niepewności (K) pomiaru zarejestrowanych danych dotyczących poziomu ciśnienia akustycznego wynosi 1,5 dB(A).

<sup>54</sup> Współczynnik niepewności (K) pomiaru zarejestrowanych danych dotyczących poziomu drgań wynosi 1,5 m/s<sup>2</sup>. Zadeklarowana całkowita wartość drgań została zmierzona zgodnie z normą EN 62841-4-7, załącznik I, i może być używana do porównywania różnych maszyn oraz do wstępnej oceny jej wielkości.

---

## Deklaracja zgodności

---



# Deklaracja zgodności UE

Firma **Husqvarna AB**, SE-561 82 Huskvarna,  
Szwecja, tel.: +46-36-146500, deklarujemy z pełną  
odpowiedzialnością, że produkt:

<b>Opis</b>	Frezarka do posadzek
<b>Marka</b>	Husqvarna
<b>Typ/model</b>	S 138i
<b>Identyfikacja</b>	Numery seryjne z roku 2023 i nowsze

spełnia wszystkie wymogi określone w odpowiednich  
dyrektywach i przepisach UE:

Dyrektywa/przepis	Opis
2011/65/UE	„dotycząca ograniczenia użycia niektórych substancji niebezpiecznych w sprzęcie elektrycznym i elektronicznym”
2006/42/WE	„w sprawie maszyn”
2014/30/UE	„dotycząca zgodności elektromagnetycznej”
2000/14/WE	„dotycząca emisji hałasu do środowiska”

oraz został zaprojektowany zgodnie z następującymi  
normami i specyfikacjami technicznymi: EN  
62841-1:2015/A11:2022, EN IEC 62841-4-7:2022/  
A11:2022, EN ISO 12100:2010, EN 55014-1:2017/  
A11:2020, EN 55014-2:2015, EN IEC 63000:2018.

Informacje dotyczące emisji hałasu, patrz *Dane  
techniczne na stronie 294*.

Huskvarna, 2023-12-30



Claes Losdal

Szef ds. Rozwoju Produkcji/Produkty ogrodowe

Husqvarna AB

Osoba odpowiedzialna za dokumentację techniczną



---

# ÍNDICE

---

Introdução.....	298	Resolução de problemas.....	308
Segurança.....	299	Transporte, armazenamento e eliminação.....	310
Montagem.....	304	Especificações técnicas.....	310
Funcionamento.....	305	Declaração de conformidade.....	313
Manutenção.....	307		

---

## Introdução

---

### Descrição do produto

O produto é um esçarificador elétrico de controlo apeado. O produto remove erva seca do relvado e solta o solo, para permitir a entrada de ar e água no relvado. A erva seca é recolhida num coletor de relva ou é lançada para o relvado. O produto tem 2 tipos de equipamento esçarificador.

### Equipamento esçarificador

Consulte *Substituir o equipamento esçarificador na página 308* para obter informações sobre como substituir o equipamento esçarificador.

### Dentes da lâmina

Os dentes da lâmina removem a erva seca e cortam as raízes da relva na vertical. Utilize os dentes da lâmina

### Vista geral do produto

(Fig. 1)

1. Punho do travão do motor
2. Punho superior
3. Painel de controlo
4. Inibidor de arranque
5. Punho inferior
6. Coletor de relva
7. Cobertura traseira
8. Cobertura do esçarificador
9. Tampa da bateria
10. Botão de ajuste da profundidade de funcionamento
11. Chave de segurança
12. LED indicador de ON/OFF
13. Botão ON/OFF
14. Botão Save (economia)
15. LED indicador de Save
16. Indicador de carga da bateria e botão da bateria
17. Dentes de mola
18. Bateria (acessório)
19. Carregador de bateria (acessório)
20. Chave Allen
21. Manual do utilizador

em declives, terraços e em solos com uma quantidade elevada de argila. Os dentes da lâmina permitem que a água escorra para o relvado e evitam que esta se acumule na superfície

(Fig. 17)

### Dentes de mola

Os dentes de mola removem cuidadosamente a relva morta e a erva seca do relvado, sem qualquer dano para as raízes da relva.

(Fig. 18)

### Finalidade

Utilize o produto para remover a erva seca e o musgo e para soltar o solo em jardins privados. Não utilize o produto para outras tarefas.

### Símbolos no produto

(Fig. 2)      ATENÇÃO

(Fig. 3)      Leia as instruções.

(Fig. 4)      AVISO – Tenha cuidado com objetos projetados.

(Fig. 5)      Mantenha as outras pessoas afastadas.

(Fig. 6)      AVISO – Mantenha as mãos e os pés afastados dos dentes.

(Fig. 7)      Desligue a bateria antes da manutenção.

(Fig. 8)      Não exponha à chuva.

(Fig. 9)      Este produto possui proteção contra salpicos de água.

(Fig. 10)      Este produto está em conformidade com as diretivas aplicáveis da CE.

(Fig. 11) Este produto está em conformidade com os regulamentos aplicáveis do Reino Unido.

(Fig. 12) Emissão de ruído para a etiqueta ambiental de acordo com as diretivas e regulamentos da União Europeia e do Reino Unido e o regulamento "Protection of the Environment Operations (Noise Control) Regulation 2017" (regulamento de proteção de operações no meio ambiente [controle do ruído] de 2017) da Nova Gales do Sul. O nível de potência sonora garantido do produto está especificado nas *Especificações técnicas na página 310* e na etiqueta.

(Fig. 15) Recicle este produto numa localização de reciclagem para equipamentos elétricos e eletrônicos. (Válido unicamente na Europa)

(Fig. 16) Procedimento de arranque: prima o botão ON/OFF, desaperte o inibidor de arranque e empurre o punho do travão do motor para baixo.

(Fig. 13) Solte o punho do travão do motor para parar.

(Fig. 14) Código para leitura.

---

**Nota:** Os restantes símbolos/autocolantes existentes no produto dizem respeito às exigências de homologação de alguns países.

---

## Danos no produto

Não somos responsáveis por danos no nosso produto se:

- o produto tiver sido incorretamente reparado.
- o produto tiver sido reparado com peças que não sejam do fabricante ou que não sejam aprovadas pelo fabricante.
- o produto tiver um acessório que não seja do fabricante ou que não seja aprovado pelo fabricante.
- o produto não tiver sido reparado por um centro de assistência autorizado ou por uma autoridade aprovada.

---

# Segurança

---

## Definições de segurança

Os avisos, as precauções e as notas são utilizados para indicar partes especialmente importantes do manual.



**ATENÇÃO:** Utilizado no caso de existir risco de ferimento ou morte para o utilizador ou transeuntes, se não forem respeitadas as instruções do manual.



**CUIDADO:** Utilizado se existir risco de danos para o produto, para outros materiais ou para a área adjacente, se não forem respeitadas as instruções do manual.

**Nota:** Utilizado para disponibilizar informações adicionais necessárias numa determinada situação.

## Avisos gerais de segurança do produto



**ATENÇÃO:** Leia todos os avisos de segurança, as instruções, as ilustrações e as especificações fornecidos com este produto. O incumprimento das instruções indicadas abaixo poderá resultar em

choques elétricos, incêndios e/ou ferimentos graves.

---

**Guarde todos os avisos e instruções para referência futura.** O termo "produto" nos avisos refere-se a produtos (com fios) ligados à corrente elétrica ou a produtos (sem fios) de funcionamento a bateria.

## Segurança no local de trabalho

- **Mantenha a área de trabalho limpa e bem iluminada.** Áreas desarrumadas ou escuras convidam ao acidente.
- **Não utilize o produto em ambientes explosivos, tal como na presença de poeiras, gases ou líquidos inflamáveis.** O produto cria faíscas que podem inflamar poeiras ou gases.
- **Mantenha as crianças e restantes pessoas afastadas enquanto opera o produto.** As distrações podem fazê-lo perder o controlo.

## Segurança pessoal

- **Mantenha-se em alerta, tenha atenção ao que está a fazer e use o bom senso ao utilizar um produto. Não utilize um produto se estiver cansado ou sob a influência de drogas, álcool ou medicação.** Um momento de desatenção ao utilizar os produtos pode resultar em lesões pessoais graves.

- **Use equipamento de proteção pessoal. Use sempre proteção ocular.** A utilização de equipamento de proteção como máscara antipoeira, calçado de segurança antiderrapante, capacete ou protetores acústicos nas condições apropriadas irá reduzir os ferimentos pessoais.
- **Prevenção de arranque não intencional. Certifique-se de que o interruptor se encontra desligado antes de ligar o produto à fonte de alimentação e/ou à bateria, ou de o pegar ou transportar.** Transportar os produtos com o dedo no interruptor ou ligar os produtos à corrente elétrica com o interruptor ligado é um convite aos acidentes.
- **Remova qualquer chave de ajuste ou chave de porcas antes de ligar o produto.** Uma chave de porcas ou uma chave ligada a uma peça em rotação do produto pode resultar em lesões pessoais.
- **Não se debruce. Mantenha o equilíbrio e os pés sempre bem assentes.** Isto permite um melhor controlo do produto em situações inesperadas.
- **Vista-se adequadamente. Não use peças de roupa soltas ou jóias. Mantenha o cabelo e roupas longe de quaisquer peças em movimento.** Roupas soltas, jóias ou cabelo comprido podem ser apanhados nas peças em movimento.
- **Se forem fornecidos dispositivos para a ligação de equipamentos de extração e de recolha de poeiras, assegure-se de que estes estão ligados e são utilizados corretamente.** A utilização da recolha de poeiras pode reduzir os riscos relacionados com poeiras.
- **Siga sempre os princípios de segurança dos produtos, mesmo que já esteja familiarizado com os mesmos devido a utilização frequente.** Uma ação descuidada pode provocar ferimentos graves numa fração de segundo.

## Utilização e tratamento do produto

- **Não force o produto. Utilize o produto adequado para a sua aplicação.** O produto adequado proporcionará melhores resultados e permitirá uma utilização em segurança para os fins a que se destina.
- **Não utilize o produto se o interruptor não ligar ou desligar.** Qualquer produto que não possa ser controlado com o interruptor é perigoso e tem de ser reparado.
- **Desligue a ficha da fonte de alimentação elétrica e/ou retire a bateria, se amovível, do produto antes de efetuar quaisquer ajustes, mudar acessórios ou guardar os produtos.** Estas medidas de prevenção reduzem o risco de ligar o produto acidentalmente.
- **Guarde os produtos que não estão a ser utilizados fora do alcance das crianças e não permita que qualquer pessoa não familiarizada com o produto ou com estas instruções utilize o produto.** Os produtos são perigosos nas mãos de utilizadores inexperientes.
- **Efetue a manutenção dos produtos e dos acessórios. Verifique a existência de bloqueios**

**ou de falhas no alinhamento das peças móveis, danos nas peças e qualquer outra condição que possa afetar o funcionamento do produto. Se estiver danificado, repare o produto antes de o utilizar.** Muitos acidentes são causados por produtos com uma manutenção inadequada.

- **Mantenha as ferramentas de corte afiadas e limpas.** Ferramentas de corte com as zonas de corte afiadas e bem mantidas têm menos probabilidades de bloquear e são mais fáceis de controlar.
- **Use o produto, acessórios e brocas, etc. de acordo com estas instruções, tomando em consideração as condições de funcionamento e o trabalho a ser executado.** A utilização do produto para operações diferentes das previstas pode resultar numa situação perigosa.
- **Mantenha os punhos e as superfícies onde se segura secos, limpos e sem óleo nem massa lubrificante.** As superfícies onde se segura e os punhos escorregadios não permitem um controlo e um manuseamento seguros do produto em situações inesperadas.

## Utilização e manutenção da bateria

- **Recarregue a bateria apenas com o carregador especificado pelo fabricante.** Um carregador adequado para um tipo de bateria pode criar risco de incêndio quando usado com outra bateria.
- **Utilize produtos apenas com as baterias especificamente concebidas para os mesmos.** A utilização de quaisquer outras baterias pode criar risco de ferimentos e incêndio.
- **Quando a bateria não está a ser utilizada, mantenha-a afastada de outros objetos metálicos, como clips, moedas, chaves, pregos, parafusos ou outros objetos metálicos pequenos que possam fazer a ligação entre os dois terminais.** Provocar curto-circuitos nos terminais das baterias pode provocar queimaduras ou um incêndio.
- **Em condições extremas, é possível que o líquido da bateria varta; evite o contacto. Se ocorrer algum contacto accidental, lave com água. Se o líquido entrar em contacto com os olhos, procure assistência médica adicional.** O líquido vertido da bateria pode provocar irritações ou queimaduras.
- **Não utilize uma bateria ou uma ferramenta que se encontre danificada ou modificada.** As baterias danificadas ou modificadas podem apresentar um comportamento imprevisível que pode resultar em incêndios, explosões ou ferimentos graves.
- **Não exponha uma bateria ou uma ferramenta a fogo ou temperaturas excessivas.** A exposição a incêndios ou a temperaturas acima de 130 °C/265 °F pode provocar uma explosão.
- **Siga todas as instruções de carregamento e não carregue a bateria ou a ferramenta fora do intervalo de temperatura especificado nas instruções.** Os carregamentos impróprios ou a temperaturas fora do intervalo especificado podem danificar a bateria e aumentar o risco de incêndio.

## Assistência

- **Garanta que a manutenção do seu produto é efetuada por um técnico de reparações qualificado e que utilize apenas peças de substituição idênticas.** Desta forma, garante a manutenção da segurança do produto.
- **Nunca deve efetuar a manutenção de baterias danificadas.** A manutenção das baterias deve ser efetuada apenas pelo fabricante ou por prestadores de serviços autorizados.

## Avisos de segurança relativos ao produto

- **Não utilize o produto em más condições climáticas, principalmente quando existir risco de ocorrência de relâmpagos.** Isto diminui o risco de ser atingido por relâmpagos.
- **Inspeção cuidadosamente a área quanto à existência de vida selvagem no local onde o produto será utilizado.** A vida selvagem pode ser ferida pelo produto durante o funcionamento.
- **Inspeção minuciosamente a área onde o produto será utilizado e retire todas as pedras, paus, fios, ossos e outros objetos estranhos.** Os objetos projetados podem causar ferimentos pessoais.
- **Antes de utilizar o produto, verifique sempre visualmente se os dentes e o conjunto dos dentes apresentam sinais de desgaste ou danos.** As peças gastas ou danificadas aumentam o risco de ferimentos.
- **Verifique frequentemente o desgaste ou a deterioração do coletor de relva.** Um coletor de relva gasto ou danificado pode aumentar o risco de ferimentos pessoais.
- **Mantenha as proteções no devido lugar. As proteções devem estar em bom estado de funcionamento e corretamente montadas.** Uma proteção solta, danificada ou a funcionar incorretamente pode resultar em ferimentos pessoais.
- **Mantenha todas as entradas de ar de refrigeração livres de detritos.** Entradas de ar obstruídas e detritos podem resultar em sobreaquecimento ou risco de incêndio.
- **Durante o funcionamento do produto, utilize sempre calçado antiderrapante e de proteção. Não utilize o produto se estiver descalço ou com sandálias abertas.** Isto reduz a possibilidade de ferimentos nos pés devido ao contacto com os dentes em movimento.
- **Durante a utilização do produto, use sempre calças compridas.** A pele exposta aumenta a probabilidade de ferimentos causados por objetos projetados.
- **Não utilize o produto em relva molhada. Caminhe, nunca corra.** Isto reduz o risco de escorregamento e queda, que pode resultar em ferimentos pessoais.
- **Não utilize o produto em declives excessivamente íngremes.** Isto reduz o risco de perda de controlo, escorregamento e queda, que pode resultar em ferimentos pessoais.

- **Ao trabalhar em declives, certifique-se sempre da colocação dos pés, trabalhe sempre ao longo da face dos declives, nunca para cima ou para baixo, e tenha muito cuidado ao mudar de direção.** Isto reduz o risco de perda de controlo, escorregamento e queda, que pode resultar em ferimentos pessoais.
- **Tenha muito cuidado ao fazer marcha-atrás ou ao puxar o produto para si. Preste atenção ao que o rodeia.** Isto reduz o risco de tropeçar durante o funcionamento.
- **Segure o produto pelas superfícies de agarrar isoladas, uma vez que os dentes podem entrar em contacto com cablagem oculta ou com o próprio cabo.** O contacto dos dentes com um fio com tensão pode energizar as peças metálicas expostas da máquina e, por conseguinte, provocar um choque elétrico no utilizador.
- **Não toque nos dentes nem noutras peças móveis perigosas enquanto ainda estiverem em movimento.** Isto reduz o risco de ferimentos provocados por peças móveis.
- **Quando estiver a retirar material encurvado ou a limpar o produto, certifique-se de que todos os interruptores estão desligados, bem como a bateria.** O funcionamento inesperado do produto pode resultar em ferimentos pessoais graves.

## Instruções de segurança gerais



**ATENÇÃO:** Leia as instruções de aviso que se seguem antes de utilizar o produto.

- Este produto é perigoso se for utilizado de forma incorreta ou se não o utilizador for cuidadoso. Podem ocorrer ferimentos graves ou mesmo morte se as instruções de segurança não forem respeitadas.
- Este produto produz um campo eletromagnético durante o funcionamento. Em determinadas circunstâncias, este campo pode interferir com o funcionamento de implantes médicos ativos ou passivos. Para diminuir o risco de ferimentos graves ou mortais, recomendamos que os portadores de implantes médicos consultem o seu médico e o fabricante do implante antes de utilizar este produto.
- Seja sempre cuidadoso e use o seu senso comum. Se não tiver a certeza sobre como utilizar o produto numa situação especial, pare e fale com o seu distribuidor Husqvarna antes de continuar.
- Tenha em atenção que o utilizador é responsável pelos acidentes que incluem outras pessoas ou a respetiva propriedade.
- Mantenha o produto limpo. Certifique-se de que pode ler claramente os sinais e os autocolantes.
- Não permita a utilização do equipamento por crianças ou pessoas não familiarizadas com estas instruções. As normas locais podem restringir a idade do utilizador.

- Monitorize sempre a utilização do produto por pessoas com diminuição da capacidade física ou mental. Tem de estar sempre presente um adulto responsável.
- Não utilize o produto se estiver cansado, doente ou sob a influência de álcool, drogas ou medicamentos. Estes têm um efeito negativo na sua visão, atenção, capacidade de discernimento ou controlo físico.
- Não utilize o produto se este estiver danificado ou não funcionar corretamente.
- Não altere este produto e não o utilize se houver a possibilidade de ter sido alterado por outros.

- Nunca levante o produto quando ligar o motor. Se tiver de levantar o produto, desligue primeiro o motor, rode a chave de segurança para a posição 0 e remova a bateria.
- Não caminhe para trás quando operar o produto.
- Pare o motor quando for necessário inclinar o produto para transporte ou antes de se deslocar em áreas sem relva, por exemplo, caminhos em grilha, pedra e asfalto.
- Não corra com o produto quando o motor está ligado. Caminhe sempre que operar o produto.
- Pare o motor antes de mudar a profundidade de funcionamento. Nunca efetue ajustes com o motor ligado.
- Nunca deixe o produto fora de vista com o motor ligado. Desligue o motor, rode a chave de segurança para a posição 0 e remova a bateria. Certifique-se de que o equipamento escarificador não roda.
- As vibrações no produto durante o funcionamento podem ser diferentes do valor de vibração declarado em *Especificações técnicas na página 310*. A diferença é causada por variações na forma como o produto é utilizado. Se utilizar o produto com frequência ou durante longos períodos de tempo, faça pausas regularmente para evitar ferimentos provocados por vibrações.

## Segurança do trabalho



**ATENÇÃO:** Leia as instruções de aviso que se seguem antes de utilizar o produto.

- Utilize este produto apenas para remover erva seca e musgo de relvados. Não é permitido utilizá-lo para outras tarefas.
- Use equipamento de proteção pessoal. Consulte *Equipamento de proteção pessoal na página 302*.
- Certifique-se de que sabe como parar o motor rapidamente em caso de emergência.
- Não utilize o produto em condições de chuva ou de humidade. Isso pode aumentar o risco de choque elétrico.
- Não utilize o produto, a menos que os dentes e todas as coberturas estejam corretamente montadas. Dentes montados incorretamente podem soltar-se e causar ferimentos pessoais.
- Certifique-se de que os dentes não atingem objetos como pedras e raízes. Isto pode causar danos nos dentes e dobrar o eixo do motor. Um eixo dobrado provoca fortes vibrações e um elevado risco de os dentes se soltarem.
- Se os dentes atingirem um objeto ou ocorrerem vibrações, pare o produto imediatamente. Desligue o motor, rode a chave de segurança para a posição 0 e remova a bateria. Aguarde até que as peças móveis parem. Examine se o produto apresenta sinais de danos. Aperte peças soltas. Repare os danos e substitua as peças danificadas. Solicite a realização da reparação numa oficina autorizada.
- Nunca ligue o manípulo de travão do motor de modo permanente ao punho durante o arranque do motor.
- Coloque o produto numa superfície estável e plana e ligue-o. Certifique-se de que os dentes não atingem o solo ou outros objetos.
- Mantenha-se sempre por trás do produto quando o operar.
- Mantenha todas as rodas no chão e as duas mãos sobre o punho quando utilizar o produto. Mantenha as mãos e os pés afastados dos dentes rotativos.
- Não incline o produto quando ligar o motor ou durante o funcionamento do produto.
- Tenha cuidado quando puxar o produto para trás.

## Instruções de segurança para funcionamento

### Equipamento de proteção pessoal



**ATENÇÃO:** Leia as instruções de aviso que se seguem antes de utilizar o produto.

- O equipamento de proteção pessoal não previne totalmente os ferimentos mas diminui a respetiva gravidade em caso de acidente. Obtenha ajuda junto do seu concessionário para selecionar o equipamento certo.
- Use botas ou sapatos antiderrapantes resistentes. Não use calçado aberto nem ande com os pés descalços.
- Use calças compridas e resistentes.
- Use luvas de proteção sempre que necessário, por exemplo, ao fixar, examinar ou limpar o equipamento de corte.
- Recomendamos a utilização de protetores acústicos.

### Dispositivos de segurança no produto



**ATENÇÃO:** Leia as instruções de aviso que se seguem antes de utilizar o produto.

- Não utilize um produto com dispositivos de segurança danificados ou que não funcionem corretamente.

- Não remova os dispositivos de segurança, nem os modifique.
- Verifique regularmente os dispositivos de segurança. Se os dispositivos de segurança estiverem danificados ou não funcionarem corretamente, contacte a sua oficina autorizada Husqvarna.

## Verificar as coberturas

A cobertura do escafificador reduz as vibrações no produto e o risco de ferimentos causados pelo equipamento escafificador.

- Examine a cobertura lateral do escafificador para se certificar de que não existem danos, como fissuras.
- Examine a cobertura traseira para se certificar de que não existem danos, como fissuras.

## Punho do travão do motor

O punho do travão do motor para o motor. Quando soltar o punho do travão do motor, o motor para.

Para verificar o funcionamento do travão do motor, ligue o motor e, em seguida, solte o punho do travão do motor. Se o motor não parar em 3 segundos, solicite o ajuste do travão do motor numa oficina Husqvarna autorizada.

(Fig. 19)

## Chave de segurança

A chave de segurança encontra-se por baixo da tampa da bateria. A chave de segurança é utilizada para ligar a bateria que alimenta o motor.

- Ligue e desligue o motor para verificar o funcionamento da chave de segurança.
- Se a chave de segurança funcionar corretamente, o motor só arranca quando a chave se encontra na posição 1.

(Fig. 20)

## Verificar o inibidor de arranque

Verifique o inibidor de arranque para se certificar de que este impede o funcionamento do motor.

1. Empurre o punho do travão do motor no sentido da barra de direção. O inibidor de arranque para o movimento.
2. Empurre o inibidor de arranque para fora. (Fig. 21)
3. Solte o inibidor de arranque e certifique-se de que este volta à respetiva posição inicial.

## Segurança da bateria



**ATENÇÃO:** Leia as instruções de aviso que se seguem antes de utilizar o produto.

- Utilize baterias recarregáveis Husqvarna como fonte de alimentação apenas para produtos Husqvarna

relacionados. Para evitar ferimentos, não utilize a bateria como fonte de alimentação para outros produtos.

- Não utilize baterias não recarregáveis.
- Risco de choque elétrico. Não ligue os terminais da bateria a chaves, moedas, parafusos ou outros metais. Caso contrário, pode provocar um curto-circuito da bateria.
- Não coloque objetos nas aberturas de ventilação da bateria.
- Mantenha a bateria afastada do sol, calor ou de chamas abertas. A bateria pode explodir e causar queimaduras e/ou queimaduras químicas.
- Mantenha a bateria afastada de chuva e condições de humidade.
- Mantenha a bateria afastada de micro-ondas e alta pressão.
- Não tente desmontar ou partir a bateria.
- Em caso de fuga da bateria, evite o contacto do líquido com a pele ou com os olhos. Em caso de contacto com o líquido, limpe a área com água abundante e procure assistência médica.
- Utilize a bateria do produto apenas quando a temperatura ambiente se encontrar entre os 5 °C e os 40 °C.
- Utilize o carregador de bateria apenas quando a temperatura ambiente se encontrar entre os 5 °C e os 40 °C.
- A bateria não carrega se a respetiva temperatura for superior a 50 °C.
- Não limpe a bateria nem o carregador de bateria com água. Consulte *Bateria na página 308*.
- Não utilize uma bateria danificada.
- Mantenha as baterias armazenadas afastadas de objetos metálicos como, por exemplo, pregos, moedas, joias.

## Segurança do carregador de bateria



**ATENÇÃO:** Leia as instruções de aviso que se seguem antes de utilizar o produto.

- Utilize carregadores de bateria QC para carregar apenas baterias de substituição Husqvarna.
- Risco de choque elétrico ou curto-circuito. Não coloque objetos nas aberturas de ventilação do carregador. Não tente desmontar o carregador de bateria. Não ligue os terminais do carregador a objetos metálicos. Utilize uma tomada de parede aprovada.
- Este produto produz um campo eletromagnético durante o funcionamento. Em determinadas circunstâncias, este campo pode interferir com o funcionamento de implantes médicos ativos ou passivos. Para diminuir o risco de condições que podem causar ferimentos ou morte, recomendamos que os portadores de implantes médicos consultem

o seu médico e o fabricante do implante antes de utilizar este produto.

- Certifique-se regularmente de que o cabo de alimentação do carregador de bateria não está danificado nem apresenta fissuras.
- Não utilize o cabo de alimentação para levantar o carregador de bateria. Para desligar o carregador de bateria de uma tomada elétrica, puxe a ficha. Não puxe o cabo de alimentação.
- Mantenha o cabo de alimentação e os cabos de extensão afastados de água, de óleo e de arestas afiadas. Certifique-se de que o cabo não fica entalado em portas, cercas ou equivalente. Isto pode fazer com que o carregador fique sob tensão.
- Não limpe o carregador de bateria com água.
- O carregador de bateria pode ser utilizado por crianças a partir dos 8 anos de idade e por pessoas com capacidades físicas, sensoriais ou mentais reduzidas, ou falta de experiência e conhecimentos, desde que as mesmas se encontrem sob supervisão ou tenham recebido instruções acerca da utilização segura do carregador da bateria e compreendam os perigos envolvidos. As crianças não devem brincar com o carregador de bateria. As tarefas de limpeza e manutenção a cargo do utilizador não devem ser efetuadas por crianças sem a devida supervisão.
- Não carregue baterias não recarregáveis no carregador de bateria.
- Não utilize o carregador de bateria próximo de materiais inflamáveis ou materiais que possam provocar corrosão. Não cubra o carregador de bateria. Em caso de fumo ou fogo, desligue o carregador de bateria da tomada.
- Não utilize um carregador de bateria que esteja com defeito ou danificado.
- Carregue a bateria apenas em espaços interiores com boa ventilação e sem exposição à luz solar. Não carregue a bateria em condições de humidade.

- Para evitar um arranque accidental durante a manutenção, rode a chave de segurança para a posição 0 e remova a bateria. Aguarde pelo menos 5 segundos antes de começar a manutenção.
- Efetue os trabalhos de manutenção corretamente para aumentar a vida útil do produto e reduzir o risco de acidentes. Solicite a realização de reparações profissionais numa oficina autorizada. Para mais informações, contacte a sua oficina autorizada.
- Efetue apenas os trabalhos de manutenção indicados neste manual do operador. As intervenções maiores têm de ser efetuadas por uma oficina autorizada.
- Para evitar a ocorrência de ferimentos, não remova os dispositivos de segurança, nem os modifique.
- Calce luvas resistentes quando utilizar o equipamento escarificador. O equipamento escarificador é muito afiado e pode facilmente provocar cortes.
- Mantenha os dentes do equipamento escarificador afiados e limpos para garantir um desempenho melhor e mais seguro.
- Solicite à sua oficina autorizada a inspeção regular do produto e a realização dos ajustes e reparações necessários.
- Substitua as peças danificadas, gastas ou partidas. Utilize peças sobresselentes originais do fabricante. Outras peças sobresselentes podem causar danos no produto e aumentar o risco de acidentes.
- Cumpra as instruções relativas à substituição dos acessórios. Utilize apenas os acessórios do fabricante.
- Quando não estiverem em funcionamento, mantenha o produto, a bateria e carregador da bateria afastados num local seco, interior e fechado à chave. Certifique-se de que as crianças e as pessoas não autorizadas não conseguem ter acesso ao produto, à bateria ou ao carregador da bateria.

## Instruções de segurança para manutenção



**ATENÇÃO:** Leia as instruções de aviso que se seguem antes de utilizar o produto.

## Montagem

### Introdução

remova a bateria e aguarde, pelo menos, 5 segundos.



**ATENÇÃO:** Antes de montar o produto, leia o capítulo sobre segurança.

### Montar a barra

1. Desaperte os manípulos inferiores.
2. Desloque os botões para a extremidade inferior das ranhuras, dos lados esquerdo e direito do produto. (Fig. 22)



**ATENÇÃO:** Para evitar um arranque accidental durante a montagem, rode a chave de segurança para a posição 0,



3. Defina a altura do punho para uma das 2 posições disponíveis.
4. Desloque os botões para cima em direção ao punho, até pararem e ouvir um clique. (Fig. 23)
5. Aperte os botões totalmente.
2. Fixe a secção inferior da estrutura do coletor de relva na ranhura da parte inferior do mesmo.
3. Fixe o saco de relva na estrutura do coletor de relva com os grampos. (Fig. 25)
4. Levante a cobertura traseira.
5. Coloque o coletor de relva na posição correta. (Fig. 26)
6. Prenda o coletor de relva à extremidade superior do chassi. Certifique-se de que a cobertura traseira está completamente encostada ao coletor de relva para prevenir fugas. (Fig. 27)

## Montar o coletor de relva

1. Coloque a estrutura do coletor de relva no saco de relva com a parte rígida do saco no fundo. Mantenha o punho da estrutura na parte superior do saco de relva. (Fig. 24)

# Funcionamento

## Introdução



**ATENÇÃO:** Antes de utilizar o produto, tem ler e compreender o capítulo sobre segurança.

## Husqvarna Connect

A Husqvarna Connect é uma aplicação gratuita para o seu dispositivo móvel. A aplicação Husqvarna Connect disponibiliza funções alargadas para o seu produto Husqvarna:

- Informações alargadas sobre o produto.
- Informações sobre, e ajuda relacionada com peças e manutenção do produto.

## Começar a utilizar Husqvarna Connect

1. Transfira a aplicação Husqvarna Connect para o seu dispositivo móvel.
2. Registe-se na aplicação Husqvarna Connect.
3. Siga os passos das instruções na aplicação Husqvarna Connect para ligar e registar o produto.

## Definir a profundidade de funcionamento



**ATENÇÃO:** Não ajuste a profundidade de funcionamento enquanto operar o produto.

1. Empurre e rode o manípulo de regulação da profundidade de funcionamento para a esquerda, para aumentar a profundidade de funcionamento.
2. Empurre e rode o manípulo de regulação da profundidade de funcionamento para a direita, para diminuir a profundidade de funcionamento. (Fig. 28)

## Bateria



**ATENÇÃO:** Antes de utilizar a bateria, tem de ler e compreender o capítulo sobre segurança. Também tem de ler e

compreender o manual do operador da bateria e do carregador da bateria.

Mantenha a bateria e o respetivo carregador de bateria a temperaturas ambiente corretas.

	Temperatura ambiente
Utilização da bateria	5 °C - 40 °C
Carregamento da bateria	5 °C - 40 °C

## Estado da bateria

O visor indica a capacidade restante da bateria e a existência de problemas com a mesma. Prima o botão indicador da bateria para obter informações sobre o estado de carga da bateria. O símbolo de aviso na bateria acende-se quando ocorre um erro. Consulte *Bateria na página 308*.

(Fig. 29)

Luzes LED	Estado da bateria
Todos os LED acesos	Carga completa (76%-100%)
LED 1, LED 2 e LED 3 acesos	A bateria tem uma carga de 51%-75%
LED 1 e LED 2 acesos	A bateria tem uma carga de 26%-50%
LED 1 aceso	A bateria tem uma carga de 6%-25%.
LED 1 intermitente	A bateria tem uma carga de 0%-5%.

## Carregar a bateria

Carregue a bateria antes da primeira utilização. A bateria tem apenas 30% de carga quando é entregue ao cliente.

---

**Nota:** O carregador da bateria tem de ser ligado à tensão e à frequência especificadas na etiqueta de tipo.

A bateria não carrega se a sua temperatura for superior a 50 °C. O carregador da bateria diminui a temperatura da bateria antes de começar a carregar.

1. Ligue uma extremidade do cabo de alimentação do carregador da bateria à tomada do carregador da bateria.
2. Ligue a outra extremidade do cabo de alimentação do carregador da bateria a uma tomada elétrica com ligação à terra. O LED do carregador da bateria pisca a verde uma vez. (Fig. 30)
3. Coloque a bateria no carregador da bateria. A luz verde do carregador acende-se se a bateria estiver corretamente ligada ao carregador da bateria. (Fig. 31)
4. A bateria está totalmente carregada quando todos os LED se acenderem. Carregue a bateria no máximo durante 24 horas.
5. Para desligar o carregador da bateria da tomada, retire a ficha e não o cabo de alimentação.
6. Retire a bateria do carregador da bateria.

## Arranque

1. Coloque uma bateria carregada no compartimento da bateria com o número 1 por baixo da tampa da bateria. Para prolongar o tempo de funcionamento, coloque uma segunda bateria carregada no compartimento da bateria com o número 2.
2. Rode a chave de segurança para a posição 1. (Fig. 32)
3. Mantenha-se atrás do produto.
4. Prima o botão ON/OFF (A) no painel de controlo. O LED verde (B) acende-se. (Fig. 33)
5. Desaperte o inibidor de arranque. (Fig. 34)
6. Empurre o manípulo de travão do motor no sentido da barra de direção. (Fig. 35)

## Utilizar a função SaveE

O produto inclui uma função de poupança da bateria (SaveE), que permite uma utilização mais prolongada.

1. Prima o botão SaveE (A) para ativar a função. O LED verde acende-se. (Fig. 36)
2. Prima o botão SaveE novamente para desativar a função. O LED verde (B) apaga-se.

## Função de carga elevada

Quando o produto estiver a cortar relva alta ou molhada, o motor aumenta automaticamente as rpm. O motor

regressa ao modo padrão quando não houver carga elevada.

## Paragem do motor

Durante o funcionamento, a lâmina e o motor podem parar temporariamente devido a obstáculos, tais como obstruções de relva por baixo da cobertura de corte. Se isto ocorrer e mantiver o punho do travão do motor pressionado, o produto reinicia-se automaticamente. Se o produto não reiniciar em 5 a 10 segundos, pode ser necessário limpar a parte inferior da cobertura de corte. Consulte *Limpar o produto na página 307*.



**ATENÇÃO:** Se o motor parar, o produto tenta reiniciar automaticamente durante 5 a 10 segundos. Aguarde, no mínimo, 15 segundos antes de verificar a cobertura de corte.



**ATENÇÃO:** Antes de verificar a cobertura de corte, solte o punho do travão do motor, rode a chave de segurança para a posição 0, remova a bateria e aguarde, no mínimo, 5 segundos. Existe o risco de ferimentos se o obstáculo for removido e o produto arrancar acidentalmente.

---

## Parar o produto

O produto para automaticamente se não o utilizar durante 10 minutos. Nunca deixe o produto fora de vista com o motor ligado. Desligue o motor, rode a chave de segurança para a posição 0 e remova a bateria. Certifique-se de que o equipamento escarificador não roda.

1. Solte o punho do travão do motor para parar o motor. (Fig. 37)
2. Prima o botão ON/OFF (A) no painel de controlo e o LED verde (B) apaga-se. (Fig. 33)
3. Abra a tampa da bateria e rode a chave de segurança para a posição 0. (Fig. 38)
4. Para remover a bateria, prima os 2 botões de desengate simultaneamente e remova a bateria. (Fig. 39)
5. Carregue a bateria se estiver fraca. Para mais informações, consulte *Carregar a bateria na página 305*.

# Manutenção

## Introdução



**ATENÇÃO:** Antes de efetuar a manutenção, tem de ler e compreender o capítulo sobre segurança.

É necessário ter formação especial para realizar qualquer tarefa de manutenção ou reparação. Garantimos a disponibilidade de reparações e manutenção profissionais. Se o seu distribuidor não for uma oficina autorizada, pergunte-lhe onde se situa a oficina autorizada mais próxima.

Para obter informações mais detalhadas, consulte [www.husqvarna.com](http://www.husqvarna.com).

## Esquema de manutenção

Os intervalos de manutenção são calculados a partir da utilização diária do produto. Os intervalos são alterados se o produto não for utilizado diariamente.

Relativamente às tarefas de manutenção identificadas com \*, consulte *Dispositivos de segurança no produto na página 302*.

S 138i	A cada utilização	Mensalmente	A cada estação
Proceda a uma inspeção geral.	X		
Limpe o produto.	X		
Examine o equipamento escarificador.	X		
Certifique-se de que os dispositivos de segurança do produto não estão danificados. *	X		
Examine as coberturas. *	X		
Verifique o punho do travão do motor. *	X		
Verifique o inibidor de arranque. *	X		
Certifique-se de que o botão ON/OFF funciona corretamente e de que não está avariado.	X		
Examine se a bateria apresenta sinais de danos.	X		
Verifique a carga da bateria.	X		
Certifique-se de que os botões de desengate da bateria funcionam corretamente e que a bateria encaixa no produto.	X		
Verifique a existência de danos no carregador de bateria e certifique-se de este que funciona corretamente.		X	
Verifique as ligações entre a bateria e o produto. Verifique também a ligação entre a bateria e o carregador de bateria.			X

## Para efetuar uma inspeção geral

- Certifique-se de que as porcas e os parafusos do produto estão apertados.
- Certifique-se de que os cabos no produto não estão numa posição suscetível a danos.

## Limpar o produto

- Limpe os componentes plásticos com um pano seco e limpo.
- Não utilize água para limpar o produto. A água pode entrar na bateria ou no motor, provocando um curto-circuito ou danos no produto.

- Não utilize uma máquina de lavar à pressão para limpar o produto.
- Não verta água diretamente no motor.
- Utilize uma escova para remover folhas, relva e sujidade.

## Limpar a bateria e o carregador de bateria



**ATENÇÃO:** Não limpe a bateria nem o carregador de bateria com água.



**ATENÇÃO:** Não utilize substâncias químicas para limpar a bateria.

- Certifique-se de que a bateria e o carregador de bateria estão limpos e secos antes de colocar a bateria no carregador de bateria.
- Limpe os terminais da bateria com ar comprimido ou com um pano macio e seco.
- Limpe as superfícies da bateria e o carregador de bateria com um pano macio e seco.

## Examinar o equipamento escarificador



**ATENÇÃO:** Para evitar o arranque acidental, rode a chave de segurança para a posição 0, remova a bateria e aguarde, pelo menos, 5 segundos.



**ATENÇÃO:** Use luvas de proteção quando realizar a manutenção do equipamento escarificador. Os dentes do

equipamento escarificador são muito afiados e podem facilmente provocar cortes.

- Examine se o equipamento escarificador está danificado ou se apresenta fissuras. Substitua sempre um equipamento escarificador danificado.

## Substituir o equipamento escarificador



**ATENÇÃO:** Use luvas de proteção quando realizar a manutenção do equipamento escarificador. O equipamento escarificador é muito afiado e pode facilmente provocar cortes

1. Coloque o produto sobre o seu lado direito. (Fig. 40)
2. Retire os 2 parafusos (A) e a cobertura do escarificador (B). Empurre o equipamento escarificador (C) para cima e para fora para o retirar. (Fig. 41)
3. Empurre o novo equipamento escarificador (C) para dentro da ranhura e do orifício. Fixe a cobertura do escarificador (B) e os 2 parafusos (A) (Fig. 42)

# Resolução de problemas

## Bateria

LED na bateria	Causa	Solução
LED verde intermitente.	A tensão da bateria é baixa.	Carregue a bateria. Consulte <i>Carregar a bateria na página 305</i> .
O LED de erro da bateria fica intermitente.	A bateria está demasiado fria ou demasiado quente para utilizar.	Deixe a bateria arrefecer ou desloque-a para um espaço interior para a aquecer. Quando a bateria estiver na temperatura correta, esta pode ser utilizada novamente. Utilize a bateria do produto apenas quando a temperatura ambiente se encontrar entre os 5 °C e os 40 °C.
	A bateria está descarregada.	Carregue a bateria. Consulte <i>Carregar a bateria na página 305</i> .
O LED de erro da bateria acende-se.	Existe um erro permanente da bateria.	Contacte o seu distribuidor com assistência técnica Husqvarna.

## Carregador de bateria

LED no carregador de bateria	Causa	Solução
O LED de erro fica intermitente ou acende-se.	O carregador de bateria está demasiado frio ou demasiado quente para utilizar.	Deixe o carregador de bateria arrefecer ou desloque-o para um espaço interior para o aquecer. Quando o carregador de bateria estiver na temperatura correta, pode ser utilizado novamente. Utilize o carregador de bateria quando a temperatura ambiente se encontrar entre os 5 °C e os 40 °C.
	Outros erros.	Contacte o seu distribuidor com assistência técnica Husqvarna.

## Painel de controlo

Erro	Código de erro (número de intermitências)	Falhas possíveis	Ação possível
LED de erro intermitente	3	O motor está sobrecarregado.	Diminua a profundidade de funcionamento. Consulte <i>Definir a profundidade de funcionamento na página 305</i> . Se o LED de erro continuar intermitente, o equipamento escarificador encontra-se bloqueado. Para evitar um arranque acidental, rode a chave de segurança para a posição 0, remova a bateria e aguarde, pelo menos, 5 segundos. Certifique-se de que o equipamento escarificador se move livremente. Se o problema persistir, contacte uma oficina autorizada.
	5	A rotação do motor desce demasiado e o motor para.	
	9	O controlo do motor está demasiado quente.	Desligue o motor e aguarde até arrefecer.
	7	Bateria com erro ou sem sinal.  A bateria está fraca.	Coloque a bateria no produto corretamente e examine o conetor da bateria. Se o LED de erro da bateria ficar intermitente, consulte <i>Bateria na página 308</i> .  Carregue a bateria. Consulte <i>Carregar a bateria na página 305</i> .
O produto para	6	A bateria está fraca.	Carregue a bateria. Consulte <i>Carregar a bateria na página 305</i> .
	Sem intermitências.	Avaria do conetor da bateria.	Examine o conetor da bateria.
Outros erros	Se ocorrerem outros erros, rode a chave de segurança para a posição 0, retire a bateria e contacte uma oficina autorizada.		

# Transporte, armazenamento e eliminação

## Introdução



**ATENÇÃO:** Para evitar um arranque acidental durante o transporte e armazenamento, rode a chave de segurança para a posição 0, remova a bateria e aguarde, pelo menos, 5 segundos.

## Transporte

- Os requisitos da legislação sobre mercadorias perigosas aplicam-se às baterias de íões de lítio incluídas.
- Para um transporte comercial, é necessário cumprir os requisitos especiais na embalagem e nas etiquetas.
- Quando preparar o produto para transporte, certifique-se de que cumpre os regulamentos sobre mercadorias perigosas. Podem aplicar-se normas locais.
- Retire sempre a bateria para transporte.
- Coloque fita adesiva nos conectores da bateria e certifique-se de que a bateria não pode mover-se durante o transporte.
- Prenda o produto durante o transporte.

## Armazenamento

- Remova sempre as baterias durante o armazenamento.
- Deixe o produto arrefecer antes de o armazenar.
- Para evitar acidentes, certifique-se de que a bateria não está ligada ao produto durante o armazenamento.
- Armazene o carregador de bateria apenas em espaços interiores secos.
- Armazene a bateria e o carregador de bateria num local seco, sem humidade nem gelo.
- Desligue a bateria do carregador de bateria durante o armazenamento.
- Não armazene a bateria num local onde possa haver eletricidade estática. Não armazene a bateria numa caixa metálica.

- Armazene o produto num local onde a temperatura ambiente se encontre entre  $-10\text{ }^{\circ}\text{C}$  e  $40\text{ }^{\circ}\text{C}$ .
- Armazene a bateria num local onde a temperatura varie entre  $5\text{ }^{\circ}\text{C}$  e  $25\text{ }^{\circ}\text{C}$  e onde não fique exposta à luz solar.
- Armazene o carregador da bateria num local onde a temperatura varie entre  $5\text{ }^{\circ}\text{C}$  e  $45\text{ }^{\circ}\text{C}$  e onde não fique exposto à luz solar.
- Antes de armazenar a bateria durante longos períodos de tempo, certifique-se de que está carregada entre 30 a 50%.
- Mantenha o produto, a bateria e o carregador de bateria num local fechado à chave, fora do alcance de crianças e de pessoas não autorizadas.
- Limpe o produto e certifique-se de que o coletor de relva está vazio.
- Realize os procedimentos de manutenção indicados neste manual do utilizador. Consulte *Esquema de manutenção na página 307*.
- Efetue uma manutenção completa antes de armazenar durante muito tempo.

## Eliminação

Os símbolos no produto ou na respetiva embalagem indicam que este produto não deve ser tratado como um resíduo doméstico. Tem de ser enviado para uma estação de reciclagem adequada para a recuperação de equipamentos elétricos e eletrónicos.

Ao garantir que este produto é tratado corretamente, pode ajudar a neutralizar o potencial impacto negativo sobre o meio ambiente e as pessoas, que de outra forma pode resultar da gestão incorreta dos resíduos deste produto. Para informações mais detalhadas sobre a reciclagem deste produto, contacte o seu município, o serviço de recolha de resíduos domésticos ou a loja onde adquiriu o produto.

(Fig. 43)

## Especificações técnicas

### Especificações técnicas

S 138I	
<b>Motor</b>	
Tipo de motor	BLDC (sem escovas) 36 V
Velocidade do acessório – SavE, rpm	3000

<b>S 138i</b>	
Velocidade do acessório – Nominal, rpm	3200
Potência do motor – máx. kW	1,28
Potência do motor – nominal, kW	0,9
<b>Peso</b>	
Peso sem saco (excl. bateria), kg	19,5
Peso com saco (incl. 1 x BLi30), kg	23
<b>Bateria</b>	
Tipo de bateria	Gama de equipamentos a bateria da Husqvarna
<b>Tempo de funcionamento da bateria</b>	
Tempo de funcionamento da bateria, mín., (operação livre) com SavE ativado, com uma bateria de 7,5 Ah da Husqvarna (BLi30).	195
Tempo de funcionamento da bateria, mín., (operação livre) com modo normal ativado, com uma bateria de 7,5 Ah da Husqvarna (BLi30).	175
<b>Emissões de ruído</b> <sup>55</sup>	
Nível de potência sonora, medido dB (A)	89
Nível de potência sonora, garantido L <sub>WA</sub> dB (A)	91
<b>Níveis sonoros</b> <sup>56</sup>	
Nível de pressão sonora ao nível do ouvido do operador, dB(A)	75
<b>Níveis de vibração</b> <sup>57</sup>	
Punho, m/s <sup>2</sup>	5,5
<b>Funcionamento</b>	
Profundidade de funcionamento máx/mín., mm	-8/+5
Largura de funcionamento, cm	37,5
Acessório dos dentes da lâmina	5973510-01
Acessório dos dentes de mola	5973509-01
Capacidade do coletor de relva, litros	45

<sup>55</sup> Emissões de ruído para as imediações, medidas sob forma de potência sonora (L<sub>WA</sub>) em conformidade com a diretiva da CE 2000/14/CE.

<sup>56</sup> Os dados comunicados relativamente ao nível de pressão sonora têm um fator de incerteza (K) de 1,5 dB(A).

<sup>57</sup> Os dados comunicados relativamente ao nível de vibração têm um fator de incerteza (K) de 1,5 m/s<sup>2</sup>. O valor total de vibração declarado foi medido em conformidade com a norma EN 62841-4-7, Anexo I, e pode ser utilizado para comparar uma máquina com outra e numa avaliação preliminar da exposição.

<b>Baterias aprovadas</b>	<b>Tipo</b>	<b>Capacidade da bateria, Ah</b>	<b>Tensão, V</b>	<b>Peso, lb / kg</b>
BLi30	lões de lítio	7,5	36	4,2/1,9
40-B140	lões de lítio	4,0	36	2,6/1,2

<b>Carregadores aprovados para as baterias especificadas, BLi</b>	<b>Tensão de entrada, V</b>	<b>Frequência, Hz</b>	<b>Potência, W</b>
40-C80	100-240	50-60	68,8
QC250	220-240	50	250



---

## Declaração de conformidade

---

## Declaração UE de conformidade

A **Husqvarna AB**, SE-561 82 Huskvarna, Suécia, tel.: +46-36-146500, declara, sob sua inteira responsabilidade, que o produto:

<b>Descrição</b>	Escarificador
<b>Marca</b>	Husqvarna
<b>Tipo/Modelo</b>	S 138i
<b>Identificação</b>	Números de série referentes a 2023 e posteriores

está em plena conformidade com as seguintes diretivas e regulamentos da UE:

<b>Diretiva/Regulamento</b>	<b>Descrição</b>
2011/65/UE	"relativa à restrição do uso de determinadas substâncias perigosas em equipamento elétrico e eletrônico"
2006/42/CE	"relativa a máquinas"
2014/30/UE	"relativa à compatibilidade eletromagnética"
2000/14/CE	"relativa a emissões de ruído para o ambiente"

e que as seguintes normas e/ou especificações técnicas são aplicadas: EN 62841-1:2015/A11:2022, EN IEC 62841-4-7:2022/A11:2022, EN ISO 12100:2010, EN 55014-1:2017/A11:2020, EN 55014-2:2015, EN IEC 63000:2018.

Para mais informações sobre as emissões de ruído, consulte *Especificações técnicas na página 310*.

Huskvarna, 2023-12-30



Claes Losdal  
Chefe de desenvolvimento/produtos de jardinagem  
Husqvarna AB  
Responsável pela documentação técnica



---

# CUPRINS

---

Introducere.....	315	Depanarea.....	325
Siguranță.....	316	Transportul, depozitarea și eliminarea.....	326
Asamblarea.....	321	Date tehnice.....	327
Funcționarea.....	322	Declarație de conformitate.....	329
Întreținerea.....	323		

---

## Introducere

---

### Descrierea produsului

Produsul este un scarificator electric controlat de un operator-pieton. Produsul elimină resturile vegetale uscate de pe gazon și afânează solul pentru a permite aerului și apei să pătrundă în gazon. Resturile vegetale sunt strânse într-un colector de iarbă sau sunt eliberate pe gazon. Produsul are 2 tipuri de echipamente pentru scarificator.

### Echipamente pentru scarificator

Consultați *Pentru a înlocui echipamentul scarificatorului la pagina 325* pentru informații despre modalitatea de înlocuire a echipamentelor pentru scarificator.

### Dinții de lamă

Dinții de lamă elimină resturile vegetale uscate și taie pe verticală rădăcinile ierbii. Utilizați dinții de lamă pe pante,

terase și soluri foarte argiloase. Dinții de lamă permit apei să pătrundă în gazon și previn colectarea apei la suprafață

(Fig. 17)

### Dispozitiv cu dinți și resort

Dispozitivul cu dinți și resort elimină cu grijă iarba veștedă și resturile vegetale uscate de pe gazon, fără a deteriora rădăcinile ierbii.

(Fig. 18)

### Domeniul de utilizare

Utilizați produsul pentru a elimina resturile vegetale uscate și mușchiul, dar și pentru a afâna solul din grădinile private. Nu utilizați produsul pentru alte sarcini.

### Prezentare generală a produsului

(Fig. 1)

1. Maneta frânei de motor
2. Mâner superior
3. Panou de control
4. Inhibitor de pornire
5. Mâner inferior
6. Colector de iarbă
7. Capac posterior
8. Capacul scarificatorului
9. Capacul bateriei
10. Butonul de reglare a adâncimii de lucru
11. Cheie de siguranță
12. LED indicator ON/OFF (Pornire/Oprire)
13. Buton ON/OFF
14. Butonul SavE
15. LED indicator SavE (Economisire)
16. Indicator de încărcare a bateriei și butonul bateriei
17. Dispozitiv cu dinți și resort
18. Baterie (accesoriu)
19. Încărcător de baterie (accesoriu)
20. Cheie hexagonală
21. Manual de utilizare

### Simbolurile de pe produs

(Fig. 2) AVERTISMENT

(Fig. 3) Citiți instrucțiunile.

(Fig. 4) AVERTISMENT – Feriți-vă de obiecte proiectate.

(Fig. 5) Țineți trecătorii la distanță.

(Fig. 6) AVERTISMENT – Feriți-vă mâinile și picioarele de dinții lamei.

(Fig. 7) Deconectați bateria înainte de întreținere.

(Fig. 8) Nu expuneți la ploaie.

(Fig. 9) Acest produs este protejat împotriva stropilor de apă.

(Fig. 10) Acest produs este în conformitate cu directivele UE aplicabile.

(Fig. 11) Acest produs este în conformitate cu reglementările aplicabile din Regatul Unit.

(Fig. 12) Etichetă privind emisiile de zgomot în mediu, conform directivelor și reglementărilor din UE și Regatul Unit și legislației din New South Wales „Regulamentul privind măsurile de protecție a mediului (controlul zgomotului) din 2017”. Nivelul de putere sonoră garantat al produsului este specificat în *Date tehnice la pagina 327* și pe etichetă.

(Fig. 15) Reciclați acest produs la un centru de reciclare pentru echipamente electrice și electronice. (Este valabilă numai pentru Europa)

(Fig. 16) Procedură de pornire: apăsați butonul ON/OFF (Pornire/Oprire), slăbiți inhibitorul de pornire, împingeți în jos maneta frânei de motor.

(Fig. 13) Eliberați maneta frânei de motor pentru oprire.

(Fig. 14) Cod scanabil.

**Nota:** Celelalte simboluri/autocolante de pe produs se referă la cerințele de certificare pentru unele piețe.

## Deteriorarea produsului

Nu suntem responsabili pentru deteriorarea produsului dacă:

- produsul este reparat necorespunzător.
- produsul este reparat cu piese care nu provin de la producător sau care nu sunt aprobate de acesta.
- produsul are un accesoriu care nu provine de la producător sau care nu este aprobat de acesta.
- produsul nu este reparat la un centru de service omologat sau de o autoritate omologată.

---

## Siguranță

---

### Definiții privind siguranța

Avertismentele, atenționările și notele sunt utilizate pentru a desemna părți foarte importante din manual.



**AVERTISMENT:** Se utilizează dacă există risc de vătămare sau de deces pentru operator sau pentru trecători, în cazul în care instrucțiunile din manual nu sunt respectate.



**ATENȚIE:** Se utilizează dacă există un risc de deteriorare a produsului, a altor materiale sau a zonelor învecinate, dacă instrucțiunile din manual nu sunt respectate.

**Nota:** Se utilizează pentru a furniza mai multe informații care sunt necesare într-o situație dată.

### Avertismente generale privind siguranța produsului



**AVERTISMENT:** Citiți toate avertismentele, instrucțiunile, ilustrațiile și specificațiile de siguranță furnizate cu acest produs. Nerespectarea instrucțiunilor enumerate mai jos poate avea ca rezultat

electrocutare, incendii și/sau vătămări corporale grave.

**Păstrați toate avertismentele și instrucțiunile pentru consultare ulterioară.** Termenul „produs” folosit în avertismente se referă la produsul acționat de la rețeaua de alimentare (cu cablu) sau pe baterii (fără cablu).

### Siguranța zonei de lucru

- **Păstrați zona de lucru curată și bine iluminată.** Zonele dezordonate sau întunecoase provoacă accidente.
- **Nu întrebuințați produsul în atmosfere explozive, cum ar fi în prezența lichidelor, gazelor și prafului inflamabile.** Produsul scoate scântei care pot aprinde praful sau degajările.
- **Țineți la distanță copiii și alte persoane în timpul folosirii produsului.** Distragerea atenției poate cauza pierderea controlului.

### Siguranța personală

- **Fiți mereu atent, uitați-vă la ce faceți și dați dovadă de simț practic când utilizați produsul. Nu utilizați produsul când sunteți obosit sau sub influența drogurilor, a alcoolului sau a medicamentelor.** Un moment de neatenție în timpul întrebuințării produselor poate duce la vătămări corporale grave.
- **Utilizați echipament individual de protecție. Purtați întotdeauna ochelari de protecție.** Echipamentele de protecție, cum ar fi masca împotriva prafului, încălțăminte de protecție antiderapantă, casca

sau protecția pentru auz utilizate în condiții corespunzătoare, vor reduce riscul de vătămări corporale.

- **Evitați pomirea accidentală. Verificați dacă comutatorul este în poziția oprit înainte de conectarea la o sursă de alimentare și/sau la acumulatori, înainte de ridicarea sau transportarea produsului.** Transportarea produselor cu degetul pe comutator sau activarea produselor care au comutatorul pornit pot genera accidente.
- **Îndepărtați toate cheile de reglare sau cheile fixe înainte de a porni produsul.** O cheie fixă care a rămas prinsă la o piesă rotativă a produsului poate duce la răni.
- **Nu vă întindeți prea mult. Sprijiniți-vă bine pe picioare și păstrați-vă echilibrul.** Aceasta permite un control mai bun asupra produsului în situații neașteptate.
- **Îmbrăcați-vă corespunzător. Nu purtați haine largi sau bijuterii. Țineți părul și îmbrăcămintea la distanță de piesele în mișcare.** Hainele largi, bijuteriile sau părul lung se pot prinde în piesele în mișcare.
- **Dacă dispozitivele sunt dotate cu racorduri la instalații de extragere și colectare a prafului, asigurați-vă că acestea sunt conectate și utilizate corespunzător.** Colectarea prafului poate reduce pericolele provocate de acesta.
- **Nu vă încredeți în familiaritatea dobândită din utilizarea frecventă a produselor și nu neglijați principiile lor de siguranță.** O acțiune neglijentă poate duce la vătămări corporale grave într-o fracțiune de secundă.

## Utilizarea și întreținerea produsului

- **Nu forțați produsul. Utilizați produsul adecvat pentru operațiunea dvs.** Cu produsul adecvat veți efectua lucrarea mai rapid și în condiții mai sigure, la viteza de lucru pentru care a fost proiectat.
- **Nu utilizați produsul dacă nu poate fi pornit și oprit de la comutator.** Orice produs imposibil de controlat cu comutatorul este periculos și trebuie reparat.
- **Deconectați ștecărul de la sursa de alimentare și/sau scoateți acumulatorul, dacă este detașabil, de la produs înainte de a face reglaje, de a schimba accesoriile sau de a depozita produsul.** Astfel de măsuri preventive de siguranță reduc riscul pornirii accidentale a produsului.
- **Nu lăsați produsele nefolosite la îndemâna copiilor și nu permiteți persoanelor care nu sunt familiarizate cu produsele sau cu instrucțiunile acestora să le folosească.** Produsele sunt periculoase în mâinile utilizatorilor neinstruiți.
- **Întrețineți produse și accesoriile. Verificați ca piesele în mișcare să nu fie nealiniate sau îndoite, ca piesele să nu fie deteriorate și să nu existe alte situații care ar putea afecta funcționarea produsului. Dacă produsul se strică, duceți-l la reparat înainte de a-l utiliza iar.** Multe accidente sunt provocate de produsele prost întreținute.

- **Păstrați uneltele de tăiere ascuțite și curate.** Este mai puțin probabil ca uneltele de tăiere cu tășuri ascuțite întreținute corespunzător să se blocheze și sunt mai ușor de controlat.
- **Utilizați produsul, accesoriile, capetele de unelță etc. în conformitate cu aceste instrucțiuni, luând în considerare condițiile de lucru și operațiunea care urmează a fi efectuată.** Utilizarea produsului pentru operațiuni diferite de cele pentru care a fost realizat poate duce la situații periculoase.
- **Mențineți mânerele și suprafețele de prindere uscate, curate, fără ulei și unsoare.** Mânerele și suprafețele de prindere alunecoase nu permit manipularea și controlarea în siguranță a produsului în situații neprevăzute.

## Utilizarea și întreținerea unelei cu baterie

- **Reîncărcați numai cu încărcătorul specificat de producător.** Un încărcător adecvat pentru un tip de baterie poate constitui pericol de incendiu atunci când este utilizat cu un alt tip de baterie.
- **Utilizați produsele numai cu bateriile special indicate.** Utilizarea unui alt tip de acumulatori poate constitui pericol de vătămări corporale și de incendiu.
- **Când acumulatorul nu este utilizat, păstrați-l departe de alte obiecte metalice, precum agrafe de birou, monede, chei, cuie, șuruburi sau alte obiecte mici de metal, care pot crea o conexiune între borne.** Scurtcircuitarea bornelor bateriei poate cauza arsuri sau incendii.
- **În condiții de utilizare neadecvată, din baterie pot ieși stropi de lichid; evitați contactul. Totuși, dacă intrați accidental în contact cu lichidul respectiv, spălați cu apă. Dacă lichidul intră în contact cu ochii, consultați un medic.** Lichidul care se scurge din baterie poate cauza iritații sau arsuri.
- **Nu utilizați acumulatori sau unelte deteriorate sau modificate.** Bateriile deteriorate sau modificate pot prezenta un comportament imprevizibil, ce pot duce la incendii, explozii sau pericol de vătămări corporale.
- **Nu expuneți acumulatorii sau uneltele la flăcări sau temperaturi excesive.** Expunerea la flăcări sau la temperaturi de peste 130°C/265°F poate cauza explozii.
- **Urmați toate instrucțiunile de încărcare și nu încărcați acumulatorul sau unelta în afara intervalului de temperatură specificat în instrucțiuni.** Încărcarea incorectă sau la temperaturi în afara intervalului specificat poate duce la deteriorarea bateriei și la creșterea pericolului de incendiu.

## Service

- **Produsul dvs. trebuie reparat numai de un tehnician calificat, care să folosească numai piese de schimb identice.** Astfel se garantează păstrarea siguranței produsului.
- **Nu reparați niciodată acumulatorii deteriorați.** Repararea acumulatorilor trebuie efectuată numai de producător sau de furnizorii de servicii autorizați.

## Avertismente privind siguranța produsului

- **Nu utilizați produsul în condiții de vreme nefavorabilă, mai ales când există risc de descărcări electrice.** Aceasta reduce riscul de a fi lovit de trăsnet.
- **Verificați temeinic zona în care urmează a fi utilizat produsul, pentru a vedea dacă nu există animale sălbatice.** Animalele sălbatice ar putea fi rănite de produs în timp ce este în funcțiune.
- **Verificați temeinic zona unde urmează a fi utilizat produsul și înlăturați toate pietrele, bețele, cablurile, oasele și alte obiecte străine.** Obiectele proiectate pot provoca vătămări corporale.
- **Înainte de a utiliza produsul, efectuați întotdeauna o inspecție vizuală pentru a vă asigura că dinții și ansamblul dinților nu sunt uzați sau deteriorați.** Componentele deteriorate sau uzate sporesc riscul de vătămare corporală.
- **Verificați frecvent colectorul de iarbă pentru a detecta eventualele semne de uzură sau deteriorare.** Un colector de iarbă uzat sau deteriorat poate crește riscul de vătămări corporale.
- **Păstrați apărătorile montate. Apărătorile trebuie să fie în stare adecvată pentru lucru și montate corect.** O apărătoare slăbită, deteriorată sau care nu funcționează corect poate duce la vătămări corporale.
- **Mențineți toate admisile de aer de răcire neobstrucționate de resturi.** Blocarea admisiiilor de aer și resturile pot duce la supraîncălzire sau incendiu.
- **În timp ce folosiți produsul, purtați mereu încălțăminte antidérapantă de protecție. Nu utilizați produsul desculți sau purtând pantofi deschiși la vârf.** Astfel reduceți riscul de rănire a picioarelor în eventualitatea contactului cu dinții aflați în mișcare.
- **Când folosiți produsul, purtați întotdeauna pantaloni lungi.** Pielea expusă crește probabilitatea rănirii de către obiectele proiectate.
- **Nu utilizați produsul pe iarbă udă. Mergeți, nu alergați niciodată.** Astfel reduceți riscul de alunecare și cădere, care pot provoca vătămări corporale.
- **Nu folosiți produsul pe pante prea înclinate.** Astfel scade riscul de a pierde controlul, de a aluneca sau de a cădea, care pot duce la vătămări corporale.
- **Când lucrați pe pante, asigurați-vă întotdeauna că aveți o poziție stabilă. Lucrați mereu orizontal pe suprafața pantei, niciodată în sus și în jos și aveți foarte mare grijă când schimbați direcția.** Astfel scade riscul de a pierde controlul, de a aluneca sau de a cădea, care pot duce la vătămări corporale.
- **Aveți mare grijă când dați înapoi sau când trageți produsul spre dvs. Aveți mereu grijă la zona din jur.** Astfel se reduce riscul de împiedicare în timpul lucrului.
- **Țineți produsul numai de suprafețele de prindere izolate, deoarece dinții pot intra în contact cu cabluri ascunse sau cu propriul cablu.** Dacă dinții intră în contact cu un cablu „sub tensiune”, părțile metalice

expuse ale mașinii pot intra „sub tensiune” și pot provoca un șoc electric operatorului.

- **Nu atingeți dinții și alte componente mobile periculoase în timp ce încă se află în mișcare.** Astfel reduceți riscul de vătămări corporale produse de componentele în mișcare.
- **Când desprindeți materialul blocat sau curățați produsul, asigurați-vă că toate întrerupătoarele sunt oprite și acumulatorul este scos din priză.** Acționarea neașteptată a produsului poate duce la vătămări corporale grave.

## Instrucțiuni generale de siguranță



**AVERTISMENT:** Înainte de a utiliza produsul, citiți instrucțiunile de avertizare de mai jos.

- Acest produs este periculos dacă este utilizat incorect sau dacă nu sunteți atent. Nerespectarea instrucțiunilor de siguranță poate cauza vătămări corporale sau decesul.
- În timpul funcționării, acest produs generează un câmp electromagnetic. În anumite condiții, acest câmp poate interfera cu implanturile medicale active sau pasive. Pentru a reduce riscul de vătămări corporale grave sau mortale, recomandăm persoanelor cu implanturi medicale să consulte medicul și producătorul implantului medical înainte de a utiliza acest produs.
- Procedați întotdeauna cu atenție și folosiți-vă judecata. Dacă nu sunteți sigur cum să utilizați produsul într-o situație specială, opriți-l și adresați-vă distribuitorului Husqvarna înainte de a continua.
- Rețineți că operatorul poartă responsabilitatea privind orice accidente care implică alte persoane sau bunurile lor.
- Păstrați produsul curat. Asigurați-vă că puteți citi clar semnele și autocolantele.
- Nu lăsați niciodată copiii sau persoanele nefamiliarizate cu aceste instrucțiuni să folosească aparatul. Este posibil ca reglementările locale să limiteze vârsta operatorului.
- Monitorizați permanent o persoană cu capacități fizice sau mintale reduse, care utilizează produsul. Un adult responsabil trebuie să fie prezent în permanență.
- Nu utilizați produsul atunci când sunteți obosit, bolnav sau dacă ați consumat alcool, droguri sau ați luat medicamente. Acestea vă afectează negativ acuitatea vizuală, atenția, coordonarea și judecata.
- Nu folosiți produsul dacă este deteriorat sau dacă nu funcționează corect.
- Nu modificați acest produs și nu îl utilizați dacă este posibil să fi fost modificat de către alte persoane.

## Siguranța în lucru



**AVERTISMENT:** Înainte de a utiliza produsul, citiți instrucțiunile de avertizare de mai jos.

- Utilizați acest produs doar pentru îndepărtarea resturilor vegetale uscate și a mușchiului de pe gazon. Nu este permisă utilizarea acestui produs pentru alte lucrări.
- Utilizați echipament individual de protecție. Consultați *Echipament individual de protecție la pagina 319*.
- Asigurați-vă că știți cum să opriți rapid motorul în caz de urgență.
- Nu utilizați produsul în ploaie sau în condiții de umezeală. Aceste lucruri sporesc pericolul de electrocutare.
- Nu utilizați produsul decât dacă au fost montați corect dinții și toate capacele. Dinții montați incorect se pot desprinde și pot provoca vătămări corporale.
- Asigurați-vă că dinții nu se lovesc de obiecte, cum ar fi pietre și rădăcini. Acest lucru poate deteriora dinții și poate îndoi arborele motorului. Un ax îndoit poate genera vibrații puternice și prezintă un risc foarte ridicat de slăbire a dinților.
- Dacă dinții lovesc un obiect sau dacă apar vibrații, opriți imediat produsul. Opriți motorul, rotiți cheia de siguranță la 0 și scoateți bateria. Așteptați până se opresc componentele aflate în mișcare. Verificați dacă produsul nu este deteriorat. Strângeți componentele slăbite. Reparați avariile și înlocuiți componentele deteriorate. Reparațiile trebuie efectuate de un agent de service autorizat.
- Nu atașați niciodată maneta frânei de motor la mâner, în mod permanent, atunci când motorul este pornit.
- Poziționați produsul pe o suprafață stabilă, plană și porniți-l. Asigurați-vă că dinții nu ating solul sau de alte obiecte.
- Stați întotdeauna în spatele produsului atunci când îl utilizați.
- Mențineți toate roțile pe sol și țineți ambele mâini pe mâner când utilizați produsul. Țineți-vă mâinile și picioarele departe de dinții rotativi.
- Nu înclinați produsul când porniți motorul sau în timp ce utilizați produsul.
- Fiți atenți atunci când trageți produsul în spate.
- Nu ridicați niciodată produsul când motorul este pornit. Dacă trebuie să ridicați produsul, mai întâi opriți motorul, rotiți cheia de siguranță la 0 și scoateți bateria.
- Nu mergeți cu spatele în timp ce utilizați produsul.
- Opriți motorul când este necesar să înclinați produsul pentru transport sau înainte de a trece peste o zonă fără iarbă, de exemplu poteci de pietriș, piatră sau asfalt.

- Nu alergați cu produsul când motorul este pornit. Întotdeauna mergeți în timp ce utilizați produsul.
- Opriți motorul înainte de a schimba adâncimea de lucru. Nu efectuați niciodată reglări cu motorul pornit.
- Nu lăsați niciodată produsul să iasă din câmpul vizual cu motorul pornit. Opriți motorul, rotiți cheia de siguranță la 0 și scoateți bateria. Asigurați-vă că scarificatorul nu se rotește.
- Vibrațiile produsului în timpul funcționării pot fi diferite de valoarea de vibrații declarată în *Date tehnice la pagina 327*. Diferența este dată de variațiile din modulele de utilizare a produsului. Dacă întrebuiți produsul frecvent sau pe durate mari, faceți pauze dese pentru a preveni afecțiunile fizice determinate de vibrații.

## Instrucțiuni de siguranță pentru utilizare

### Echipament individual de protecție



**AVERTISMENT:** Înainte de a utiliza produsul, citiți instrucțiunile de avertizare de mai jos.

- Echipamentul individual de protecție nu pot elimina complet riscul de rănire, însă pot reduce gravitatea rănilor în cazul unui accident. Distribuitorul vă poate ajuta să alegeți echipamentul corect.
- Utilizați întotdeauna ghete sau pantofi pentru regim greu de lucru, cu rezistență la alunecare. Nu folosiți pantofi decupați și nu operați produsul desculți.
- Utilizați pantaloni lungi, groși.
- Purtați mănuși de protecție atunci când este necesar, de exemplu atunci când conectați, inspectați sau curățați echipamentul de tăiere.
- Recomandăm folosirea de echipament de protecție a auzului.

### Dispozitivele de siguranță de pe produs



**AVERTISMENT:** Înainte de a utiliza produsul, citiți instrucțiunile de avertizare de mai jos.

- Nu utilizați un produs cu dispozitive de siguranță care sunt deteriorate sau care nu funcționează corect.
- Nu înlăturați și nu aduceți modificări la dispozitivele de siguranță.
- Verificați regulat dispozitivele de siguranță. În cazul în care dispozitivele de siguranță sunt deteriorate sau nu funcționează corect, adresați-vă Husqvarna agentului de service.

### Verificarea capacelor

Capacul scarificatorului reduce vibrațiile în produs și reduce riscul de rănire de la echipamentul pentru scarificator.

- Examinați capacul lateral al scarificatorului și asigurați-vă că nu există defecte, precum fisuri.
- Examinați capacul posterior și asigurați-vă că nu există defecte, precum fisuri.

## Maneta frânei de motor

Maneta frânei de motor oprește motorul. Când maneta frânei de motor este eliberată, motorul se oprește.

Pentru a efectua o inspecție a frânei de motor, porniți motorul și apoi eliberați maneta frânei de motor. Dacă motorul nu se oprește în 3 secunde, cereți-i unui agent de service autorizat Husqvarna să regleze frâna de motor.

(Fig. 19)

## Cheie de siguranță

Cheia de siguranță se află sub capacul bateriei. Cheia de siguranță este utilizată pentru conectarea bateriei care alimentează motorul cu energie.

- Porniți și opriți motorul pentru a verifica cheia de siguranță.
- În cazul în care cheia de siguranță funcționează corect, motorul pornește doar atunci când cheia este în poziția 1.

(Fig. 20)

## Pentru examinarea inhibitorului de pornire

Verificați inhibitorul de pornire pentru a vă asigura că acesta împiedică funcționarea demarorului.

1. Împingeți maneta frânei de motor în direcția mânerului. Inhibitorul de pornire oprește mișcarea.
2. Împingeți inhibitorul de pornire în afară. (Fig. 21)
3. Eliberați inhibitorul de pornire și asigurați-vă că revine la poziția sa inițială.

## Siguranța bateriei



**AVERTISMENT:** Înainte de a utiliza produsul, citiți instrucțiunile de avertizare de mai jos.

- Utilizați numai baterii reîncărcabile Husqvarna ca sursă de alimentare pentru produsele Husqvarna asociate. Pentru a evita rănirea, nu folosiți bateria ca sursă de alimentare pentru alte dispozitive.
- Nu utilizați baterii nereîncărcabile.
- Risc de electrocutare. Nu conectați bornele bateriei la chei, monede, șuruburi sau alte metale. Aceasta poate cauza scurtcircuitarea bateriei.
- Nu puneți obiecte în fantele de aerisire a bateriei.
- Feriți bateria de lumina solară, de căldură sau de flăcări deschise. Bateria poate exploda și provoca arsuri și/sau arsuri chimice.
- Feriți bateria de ploaie și de condiții de umezeală.
- Feriți bateria de microunde și de înaltă presiune.
- Nu încercați să demontați sau să spargeți bateria.

- Dacă există scurgeri de lichid dintr-o baterie, nu lăsați lichidul să intre în contact cu pielea sau ochii. Dacă ați atins lichidul, curățați zona cu apă din abundență și consultați medicul.
- Utilizați bateria din produs numai când temperatura ambiantă este între 5 și 40 °C.
- Utilizați încărcătorul bateriei numai când temperatura ambiantă este între 5 și 40 °C.
- Bateria nu se va încărca dacă temperatura sa depășește 50 °C.
- Nu curățați niciodată cu apă bateria sau încărcătorul de baterii. Consultați *Baterie la pagina 325*.
- Nu utilizați o baterie deteriorată.
- Depozitați bateriile la distanță de obiecte de metal, de exemplu cuie, monede, bijuterii.

## Siguranța încărcătorului de baterii



**AVERTISMENT:** Înainte de a utiliza produsul, citiți instrucțiunile de avertizare de mai jos.

- Utilizați numai încărcătoare de baterii QC pentru a încărca bateriile de schimb Husqvarna.
- Pericol de electrocutare sau de scurtcircuit. Nu puneți obiecte în fantele de aerisire a încărcătorului. Nu încercați să dezasamblați încărcătorul de baterii. Nu conectați bornele încărcătorului la obiecte metalice. Folosiți o priză de curent aprobată.
- În timpul funcționării, acest produs generează un câmp electromagnetic. În anumite condiții, acest câmp poate interfera cu implanturile medicale active sau pasive. Pentru a reduce riscul vătămarei gravă sau de deces, recomandăm persoanelor cu implanturi medicale să se consulte cu medicul și cu producătorul implantului medical înainte de a utiliza acest produs.
- Asigurați-vă periodic că cablul de alimentare al încărcătorului de baterii nu este deteriorat și că nu prezintă fisuri.
- Nu ridicați încărcătorul de baterii ținând de cablul de alimentare. Pentru a deconecta încărcătorul de baterii de la priza de perete, trageți de ștecăr. Nu trageți de cablul de alimentare.
- Țineți cablul de alimentare și prelungitoarele la distanță de apă, ulei și muchiile ascuțite. Asigurați-vă că acest cablu nu este prins în uși, garduri sau în alte locuri similare. În caz contrar, încărcătorul poate intra sub tensiune.
- Nu curățați încărcătorul de baterii folosind apă.
- Acest încărcător de baterii poate fi utilizat de către copiii cu vârsta peste 8 ani și de către persoane ce au capacități fizice, senzoriale sau mentale reduse sau care nu au experiența și cunoștințele necesare, dacă sunt supravegheate sau au primit instrucțiuni referitoare la utilizarea încărcătorului de baterii în siguranță și înțeleg riscurile implicate. Copiii nu trebuie să se joace cu încărcătorul de baterii.



Curățarea și întreținerea nu trebuie efectuate de copii fără supraveghere.

- Nu încărcați baterii nereîncărcabile în încărcătorul de baterii.
- Nu utilizați încărcătorul de baterii în apropiere de materiale inflamabile sau materiale care pot cauza coroziune. Nu acoperiți încărcătorul bateriei. În caz de fum sau de incendiu, scoateți ștecărul încărcătorului de baterii.
- Nu utilizați un încărcător de baterii defect sau deteriorat.
- Încărcați bateria numai în interior, într-o încăpere cu aerisire adecvată și departe de lumina soarelui. Nu încărcați bateria în medii umede.

## Instrucțiuni de siguranță pentru întreținere



**AVERTISMENT:** Înainte de a utiliza produsul, citiți instrucțiunile de avertizare de mai jos.

- Pentru a preveni pornirea accidentală în timpul operațiilor de întreținere, rotiți cheia de siguranță la 0 și scoateți bateria. Așteptați minimum 5 secunde înainte de a începe lucrările de întreținere.
- Efectuați lucrările de întreținere în mod corect pentru a prelungi durata de viață a produsului și reduce pericolul de accidente. Lucrările de reparații profesionale trebuie efectuate de un agent de

service autorizat. Discutați cu agentul de service cel mai apropiat de dvs. pentru mai multe informații.

- Efectuați numai lucrările de întreținere care se regăsesc în acest manual al operatorului. Operațiile de service mai extinse trebuie efectuate de un agent de service autorizat.
- Pentru a preveni rănirea, nu demontați și nu aduceți modificări la dispozitivele de siguranță.
- Puneți-vă mănuși de protecție rezistente atunci când utilizați echipamentul pentru scarificatorului. Echipamentul scarificatorului este foarte ascuțit și vă puteți tăia foarte ușor.
- Păstrați dinții de pe dispozitivul de desprăfuire ascuții și curățați pentru cea mai bună și mai sigură performanță.
- Permiteți agentului de service să verifice periodic produsul și să efectueze reglajele și reparațiile necesare.
- Înlocuiți piesele deteriorate, uzate sau defecte. Utilizați întotdeauna piese de schimb originale de la producător. Alte piese de schimb pot deteriora produsul și pot crește riscul de accidente.
- Respectați instrucțiunile privind modul de schimbare a accesoriilor. Utilizați numai accesoriile furnizate de producător.
- Atunci când nu este în funcțiune, păstrați produsul, bateria și încărcătorul în interior, într-un loc uscat și încuiat. Asigurați-vă că persoanele neavizate și copiii nu au acces la produs, la baterie sau la încărcător.

## Asamblarea

### Introducere



**AVERTISMENT:** Înainte de a asambla produsul, citiți capitolul privind siguranța.



**AVERTISMENT:** Pentru a preveni pornirea accidentală în timpul asamblării, rotiți cheia de siguranță la 0, scoateți bateria și așteptați minimum 5 secunde.

### Pentru a asambla mânerul

1. Slăbiți butoanele inferioare.
2. Deplasați butoanele spre capătul inferior al canelurilor de pe partea stângă și de pe partea dreaptă a produsului. (Fig. 22)
3. Setări înălțimea mânerului într-una dintre cele 2 poziții disponibile.
4. Deplasați butoanele în sus în direcția mânerului, până când acestea se opresc și se aude un clic. (Fig. 23)

5. Strângeți rozetele până la capăt.

### Pentru a asambla colectorul de iarbă

1. Prindeți cadrul colectorului de iarbă de sacul de iarbă, cu partea rigidă a sacului în jos. Mențineți mânerul cadrului deasupra sacului de iarbă. (Fig. 24)
2. Atașați partea inferioară a cadrului colectorului de iarbă în canelura de pe partea inferioară a colectorului de iarbă.
3. Prindeți sacul de iarbă de cadrul colectorului de iarbă cu ajutorul clemelor. (Fig. 25)
4. Ridicați capacul posterior.
5. Mutați colectorul de iarbă în poziția corectă. (Fig. 26)
6. Fixați colectorul de iarbă de marginea superioară a carcasei. Asigurați-vă că capacul posterior se etanșează pe colectorul de iarbă pentru a preveni scurgerile. (Fig. 27)

# Funcționarea

## Introducere



**AVERTISMENT:** Înainte de a utiliza produsul, trebuie să citiți și să înțelegeți capitolul privind siguranța.

## Husqvarna Connect

Husqvarna Connect este o aplicație gratuită pentru dispozitivul dvs. mobil. Aplicația Husqvarna Connect vă oferă funcții extinse pentru produsul dvs. Husqvarna:

- Informații pe larg despre produs.
- Informații despre piese pentru produse și servicii și asistență pentru acestea.

## Pentru a începe să utilizați Husqvarna Connect

1. Descărcați aplicația Husqvarna Connect pe dispozitivul dvs. mobil.
2. Înregistrați-vă în aplicația Husqvarna Connect.
3. Urmați pașii cu instrucțiuni din aplicația Husqvarna Connect pentru a conecta și înregistra produsul.

## Setarea adâncimii de lucru



**AVERTISMENT:** Nu reglați adâncimea de lucru atunci când utilizați produsul.

1. Împingeți și rotiți butonul de reglare pentru adâncimea de lucru în sens invers acelor de ceasornic pentru a mări adâncimea de lucru.
2. Împingeți și rotiți butonul de reglare pentru adâncimea de lucru în sensul acelor de ceasornic pentru a reduce adâncimea de lucru. (Fig. 28)

## Baterie



**AVERTISMENT:** Înainte de a utiliza bateria, trebuie să citiți și să înțelegeți capitolul privind siguranța. Trebuie, de asemenea, să citiți și înțelegeți informațiile din manualul operatorului privind bateria și încărcătorul.

Păstrați bateria și încărcătorul la temperaturile ambiante corecte.

	Temperatură ambiantă
Folosirea bateriei	5-40 °C
Încărcarea bateriei	5-40 °C

## Stare baterie

Afișajul arată capacitatea rămasă a bateriei și dacă există probleme cu ea. Apăsăți butonul indicator al bateriei pentru a obține informații despre starea de încărcare a bateriei. Simbolul de avertisment de pe baterie se aprinde când apare o eroare. Consultați *Baterie la pagina 325*.

(Fig. 29)

Lumini LED	Stare baterie
Toate LED-urile sunt aprinse	Complet încărcată (76-100%)
Sunt aprinse LED-urile 1, 2 și 3	Bateria este încărcată în proporție de 51-75%
Sunt aprinse LED-urile 1 și 2	Bateria este încărcată în proporție de 26-50%
Este aprins LED-ul 1	Bateria este încărcată în proporție de 6-25%.
LED-ul 1 se aprinde intermitent	Bateria este încărcată în proporție de 0%-5%.

## Încărcarea bateriei

Încărcați bateria înainte de prima utilizare. Bateria este încărcată în proporție de doar 30 % la livrarea către client.

**Nota:** Încărcătorul trebuie conectat la o sursă de alimentare având tensiunea și frecvența specificate pe plăcuța de identificare.

Bateria nu se încarcă dacă temperatura acesteia este mai mare de 50° C. Încărcătorul de baterii reduce temperatura bateriei înainte de a începe încărcarea.

1. Conectați un capăt al cablului de alimentare al încărcătorului la mufa acestuia.
2. Conectați celălalt capăt al cablului de alimentare al încărcătorului la o priză de curent cu împământare. LED-ul de pe încărcătorul bateriei se aprinde o singură dată, în culoarea verde. (Fig. 30)
3. Introduceți bateria în încărcătorul aferent. Lumina verde de pe încărcător se aprinde atunci când bateria este conectată corect la încărcător. (Fig. 31)
4. Atunci când toate LED-urile de pe baterie sunt aprinse, bateria este încărcată complet. Încărcați bateria timp de maximum 24 de ore.
5. Pentru a decupla încărcătorul de baterii de la priza de curent, trageți de ștecher și nu de cablul de alimentare.
6. Scoateți bateria din încărcător.

## Pornirea produsului

1. Puneți o baterie încărcată în compartimentul de baterii numărul 1 sub capacul bateriei. Pentru o durată mai lungă de funcționare, puneți a doua baterie încărcată în compartimentul de baterii numărul 2.
2. Rotiți cheia de siguranță la 1. (Fig. 32)
3. Stați în spatele produsului.
4. Apăsăți butonul de pornire/oprire (A) de pe panoul de control, iar LED-ul verde (B) se aprinde. (Fig. 33)
5. Slăbiți inhibitorul de pornire. (Fig. 34)
6. Împingeți maneta frânei de motor în direcția mânerului. (Fig. 35)

## Utilizarea funcției Save

Produsul are o funcție de economisire a bateriei (Save) care asigură o durată mai lungă de funcționare.

1. Apăsăți pe butonul Save (A) pentru a activa funcția. LED-ul verde se aprinde. (Fig. 36)
2. Apăsăți din nou pe butonul Save pentru a dezactiva funcția. LED-ul verde (B) se stinge.

## Funcționarea cu sarcină ridicată

Atunci când produsul taie iarbă lungă sau umedă, motorul își mărește automat turația. Motorul revine la modul standard când sarcina ridicată nu mai este necesară.

## Oprirea motorului

În timpul funcționării, cuțitul și motorul se pot opri temporar din cauza unor obstacole precum blocarea ierbii sub capacul de tăiere. Dacă se întâmplă acest lucru și țineți maneta frânei de motor apăsată în jos, produsul repornește automat. Dacă produsul nu repornește în 5-10 secunde, poate fi necesar să curățați

sub capacul de tăiere. Consultați *Curățarea produsului la pagina 324.*



**AVERTISMENT:** Dacă motorul se oprește, produsul încearcă să repornească automat timp de 5-10 secunde. Așteptați cel puțin 15 secunde înainte de a vă uita sub capacul de tăiere.



**AVERTISMENT:** Înainte de a verifica sub capacul de tăiere, eliberați maneta frânei de motor, rotiți cheia de siguranță la 0, scoateți bateria și așteptați cel puțin 5 secunde. Există riscul de accidentare dacă obstacolul este îndepărtat și produsul pornește accidental.

## Oprirea produsului

Produsul se oprește automat dacă nu-l utilizați timp de 10 minute. Nu lăsați niciodată produsul să iasă din câmpul vizual cu motorul pornit. Opriți motorul, rotiți cheia de siguranță la 0 și scoateți bateria. Asigurați-vă că scarificatorul nu se rotește.

1. Eliberați maneta frânei de motor pentru a opri motorul. (Fig. 37)
2. Apăsăți butonul de pornire/oprire (A) de pe panoul de control și LED-ul verde (B) se va stinge. (Fig. 33)
3. Deschideți capacul bateriei și rotiți cheia de siguranță la 0. (Fig. 38)
4. Pentru a scoate bateria, apăsați concomitent cele 2 butoane de eliberare și trageți bateria în afară. (Fig. 39)
5. Încărcați bateria dacă este slabă. Pentru mai multe informații, consultați *Încărcarea bateriei la pagina 322.*

## Întreținerea

### Introducere



**AVERTISMENT:** Înainte de a efectua orice operații de întreținere, citiți și înțelegeți capitolul privind siguranța.

Toate lucrările de service și de reparații la produs necesită instruire specială. Garantăm disponibilitatea unor lucrări profesionale de reparații și service. Dacă distribuitorul dvs. nu este agent de service, solicitați acestuia informații cu privire la cel mai apropiat agent de service.

Pentru informații mai detaliate, consultați [www.husqvarna.com](http://www.husqvarna.com).

### Program de întreținere

Intervalele de întreținere sunt calculate având în vedere o utilizare zilnică a produsului. Intervalele se modifică dacă produsul nu este utilizat zilnic.

Pentru întreținerea identificată cu \*, consultați *Dispozitivele de siguranță de pe produs la pagina 319.*

S 138i	La fiecare utilizare	Lunar	În fiecare sezon
Efectuați o inspecție generală.	X		

S 138i	La fieca- re utiliza- re	Lunar	În fiecare sezon
Curățați produsul.	X		
Examinați echipamentul scarificatorului.	X		
Asigurați-vă că dispozitivele de siguranță ale produsului nu sunt defecte. *	X		
Examinați capacele. *	X		
Verificați maneta frânei de motor. *	X		
Verificați inhibitorul de pornire. *	X		
Asigurați-vă că butonul de pornire/oprire funcționează corect și nu este defect.	X		
Verificați dacă bateria este deteriorată.	X		
Verificați nivelul de încărcare a bateriei.	X		
Asigurați-vă că butoanele de eliberare de pe baterie funcționează corect și că bateria este fixată în produs.	X		
Verificați dacă încărcătorul de baterii nu prezintă deteriorări și asigurați-vă că funcționează corect.		X	
Examinați conexiunile dintre baterie și produs. Examinați, de asemenea, conexiunea dintre baterie și încărcător.			X

## Pentru a efectua o inspecție generală

- Asigurați-vă că șuruburile și piulițele produsului sunt strânse.
- Asigurați-vă că cablurile de pe produs nu sunt într-o poziție în care să poată fi deteriorate.

## Curățarea produsului

- Curățați componentele din plastic cu o cârpă curată și uscată.
- Nu utilizați apă pentru a curăța produsul. Apa poate pătrunde în baterie sau în motor și poate provoca scurtcircuitate sau poate avaria produsul.
- Nu utilizați o instalație de spălare cu presiune ridicată pentru a curăța produsul.
- Nu stropiți niciodată direct motorul cu apă.
- Folosiți o perie pentru a elimina frunzele, iarba și murdăria.

## Curățarea bateriei și încărcătorului



**AVERTISMENT:** Nu curățați niciodată cu apă bateria sau încărcătorul bateriei.



**AVERTISMENT:** Nu folosiți chimicale pentru a curăța bateria.

- Asigurați-vă că bateria și încărcătorul sunt curate și uscate înainte să introduceți bateria în încărcător.
- Curățați bornele bateriei cu aer comprimat sau cu o cârpă moale și uscată.
- Curățați suprafețele bateriei și încărcătorul cu o cârpă moale și uscată.

## Examinarea echipamentului scarificatorului



**AVERTISMENT:** Pentru a preveni pornirea accidentală, rotiți cheia de siguranță la 0, scoateți bateria și așteptați cel puțin 5 secunde.



**AVERTISMENT:** Purtați mănuși de protecție când efectuați întreținerea echipamentului scarificatorului. Dinții de pe scarificator sunt foarte ascuțiți și se pot produce cu ușurință tăieturi.

- Examinați echipamentul scarificatorului pentru a identifica eventuale deteriorări sau crăpături. Înlocuiți întotdeauna echipamentele deteriorate pentru scarificator.

## Pentru a înlocui echipamentul scarificatorului



**AVERTISMENT:** Purtați mănuși de protecție când efectuați întreținerea echipamentului scarificatorului. Echipamentul scarificatorului este foarte ascuțit și vă puteți tăia foarte ușor

1. Puneți produsul pe partea sa dreaptă. (Fig. 40)
2. Îndepărtați cele 2 șuruburi (A) și capacul scarificatorului (B). Împingeți echipamentul scarificatorului (C) în sus și în afară pentru a-l îndepărta. (Fig. 41)
3. Împingeți noul echipament al scarificatorului (C) în canelură și în orificiu. Atașați capacul scarificatorului (B) și cele 2 șuruburi (A) (Fig. 42)

## Depanarea

### Baterie

LED pe baterie	Cauză	Soluție
Ledul verde se aprinde intermitent.	Tensiunea bateriei este joasă.	Încărcați bateria. Consultați <i>Încărcarea bateriei la pagina 322.</i>
Ledul de eroare al bateriei luminează intermitent.	Bateria este prea rece sau prea fierbinte pentru a fi utilizată.	Lăsați bateria să se răcească sau mutați-o în interior pentru a o încălzi. Când bateria are temperatura corectă, aceasta poate fi utilizată din nou. Utilizați bateria din produs numai când temperatura ambiantă este între 5 și -40 °C.
	Bateria este descărcată.	Încărcați bateria. Consultați <i>Încărcarea bateriei la pagina 322.</i>
Ledul de eroare a bateriei se aprinde.	Există o eroare permanentă la baterie.	Adresați-vă reprezentatului dvs. de service Husqvarna.

### Încărcător de baterii

LED-ul de pe încărcătorul de baterii	Cauză	Soluție
LED-ul de eroare se aprinde intermitent sau rămâne aprins.	Încărcătorul bateriei este prea rece sau prea fierbinte pentru a fi utilizat.	Lăsați încărcătorul bateriei să se răcească sau mutați-l în interior pentru a-l încălzi. Când încărcătorul bateriei are temperatura corectă, acesta poate fi utilizat din nou. Utilizați încărcătorul bateriei când temperatura ambiantă este între 5 și -40 °C.
	Alte erori.	Adresați-vă reprezentatului dvs. de service Husqvarna.

## Panou de control

Eroare	Cod de eroare (număr de aprinderi intermitente)	Erori posibile	Acțiune posibilă
Ledul de eroare se aprinde intermitent	3	Motorul este supraîncărcat.	Reduceți adâncimea de lucru. Consultați <i>Setarea adâncimii de lucru la pagina 322</i> . Dacă ledul de eroare continuă să se aprindă intermitent, echipamentul scarificatorului este blocat. Pentru a preveni pornirea accidentală, rotiți cheia de siguranță la 0, scoateți bateria și așteptați cel puțin 5 secunde. Asigurați-vă că echipamentul scarificatorului se poate mișca liber. Dacă problema persistă, discutați cu un agent de service autorizat.
	5	Turația motorului scade prea mult și motorul se oprește.	
	9	Controlul motorului este prea fierbinte.	Oprii motorul și așteptați până când acesta se răcește.
	7	Eroare la nivelul bateriei sau nu există semnal de la baterie.	Instalați bateria corect în produs și examinați conectorul bateriei. Dacă LED-ul de eroare de pe baterie se aprinde intermitent, consultați <i>Baterie la pagina 325</i> .
		Bateria este slabă.	Încărcați bateria. Consultați <i>Încărcarea bateriei la pagina 322</i> .
Produsul se oprește	6	Bateria este slabă.	Încărcați bateria. Consultați <i>Încărcarea bateriei la pagina 322</i> .
		Fără luminare intermitentă.	Defecțiune la nivelul conectorului bateriei.
Alte erori	Dacă apar alte erori, rotiți cheia de siguranță la 0, scoateți bateria și contactați un agent de service autorizat.		

## Transportul, depozitarea și eliminarea

### Introducere



**AVERTISMENT:** Pentru a preveni pornirea accidentală în timpul transportului și depozitării, rotiți cheia de siguranță la 0, scoateți bateria și așteptați cel puțin 5 secunde.

### Transportul

- Cerințele din legislația privind bunurile periculoase se aplică pentru bateriile Li-ion incluse.
- Pentru transporturile comerciale cerințele speciale de pe ambalaj și etichete trebuie respectate.
- Respectați cu atenție reglementările privind materialele periculoase atunci când pregătiți produsul pentru transport. Pot exista reglementări locale aplicabile.
- Înainte de transport scoateți întotdeauna bateria.

- Aplicați bandă pe bornele bateriei și asigurați-vă că aceasta nu se poate deplasa în timpul transportului.
- Fixați produsul în timpul transportului.

### Depozitarea

- Înainte de depozitare scoateți întotdeauna bateriile
- Lăsați produsul să se răcească înainte de a îl depozita.
- Pentru a preveni accidentele, asigurați-vă că bateria nu este conectată la produs în timpul depozitării.
- Păstrați încărcătorul într-un spațiu închis și uscat.
- Păstrați bateria și încărcătorul de baterie într-un spațiu uscat unde nu pătrunde umezeala sau înghețul.
- Deconectați bateria de la încărcător în timpul depozitării.

- Nu depozitați bateria într-un loc unde poate apărea electricitatea statică. Nu depozitați bateria într-o cutie metalică.
- Depozitați produsul într-un loc unde temperatura ambiantă este între -10 și 40°C.
- Depozitați bateria într-un loc unde temperatura este cuprinsă între 5 °C și 25 °C și departe de lumina soarelui.
- Depozitați încărcătorul de baterii într-un loc unde temperatura este cuprinsă între 5°C și 45°C și departe de lumina soarelui.
- Asigurați-vă că bateria este încărcată în proporție de 30% - 50% înainte de a o depozita pe o perioadă lungă.
- Păstrați produsul, bateria și încărcătorul de baterii într-un loc închis, la care nu au acces copiii și persoanele neavizate.
- Curățați produsul și asigurați-vă că colectorul de iarbă este gol.
- Efectuați procedurile de întreținere descrise în acest manual. Consultați *Program de întreținere la pagina 323*.
- Efectuați un service complet înainte de o depozitare de lungă durată.

## Dezafectarea

Simbolurile de pe produs sau de pe ambalajul acestuia indică faptul că acest produs nu poate fi tratat ca deșeu menajer. Trebuie trimis la un centru de reciclare corespunzător pentru recuperarea echipamentelor electrice și electronice.

Asigurându-vă că aveți grijă de acest produs în mod corect, puteți contribui la neutralizarea impactului negativ potențial asupra mediului înconjurător și asupra persoanelor; în caz contrar, putând conduce la gestionarea incorectă a deșeurilor acestui produs. Pentru informații mai detaliate referitoare la reciclarea acestui produs, contactați autoritățile, serviciul pentru deșeurii menajere sau magazinul de unde ați achiziționat produsul.

(Fig. 43)

## Date tehnice

### Date tehnice

<b>S 138i</b>	
<b>Motor</b>	
Tip de motor	BLDC (fără perii) de 36 V
Turație accesoriu – SavE, rpm	3000
Turație accesoriu – Valoare nominală, rpm	3200
Putere motor – Valoare max., kW	1,28
Putere motor - Valoare nominală, kW	0,9
<b>Greutate</b>	
Greutate fără sac (fără baterie), kg	19,5
Greutate cu sac (cu 1 baterie BLi30), kg	23
<b>Baterie</b>	
Tip de baterie	Serie baterie Husqvarna
<b>Timp funcționare baterie</b>	
Durata de utilizare a bateriei, min, (funcționare autonomă) cu funcția SavE activată, cu o baterie Husqvarna de 7,5 Ah (BLi30).	195
Durată de funcționare a bateriei, min, (funcționare autonomă) cu modul standard activat, cu o baterie Husqvarna de 7,5 Ah (BLi30).	175

<b>S 138i</b>	
<b>Emisii de zgomot</b> <sup>58</sup>	
Nivel de putere acustică, măsurat dB(A)	89
Nivel de putere acustică garantat L <sub>WA</sub> dB(A)	91
<b>Niveluri de zgomot</b> <sup>59</sup>	
Nivel de presiune a sunetului la urechea operatorului, dB (A)	75
<b>Niveluri de vibrații</b> <sup>60</sup>	
Mâner, m/s <sup>2</sup>	5,5
<b>Funcționare</b>	
Adâncime de lucru max/min, mm	-8/+5
Lățime de lucru, cm	37,5
Accesoriu lamă cu dinți	5973510-01
Accesoriu dispozitiv cu dinți și resort	5973509-01
Capacitate colector de iarbă, litri	45

Baterii aprobate	Tip	Capacitate baterie, Ah	Tensiune, V	Greutate, lb/kg
BLi30	Litiu-ion	7,5	36	4,2 / 1,9
40-B140	Litiu-ion	4	36	2,6/1,2

Încărcătoarele aprobate pentru bateriile specificate, BLI	Tensiune de intrare, V	Frecvență, Hz	Putere, W
40-C80	100-240	50-60	68,8
QC250	220-240	50	250

<sup>58</sup> Emisiile de zgomot în mediu măsurate ca putere acustică (L<sub>WA</sub>) în conformitate cu directiva CE 2000/14/CE.

<sup>59</sup> Datele raportate pentru nivelul de presiune sonoră au un factor de incertitudine (K) de 1,5 dB(A).

<sup>60</sup> Datele raportate pentru nivelul de vibrații au un factor de incertitudine (K) de 1,5 m/s<sup>2</sup>. Valoarea totală a vibrației declarate a fost măsurată în concordanță cu standardul EN 62841-4-7, Anexa I și poate fi utilizată pentru compararea utilajelor, precum și în cadrul unei evaluări preliminare a expunerii.



---

## Declarație de conformitate

---

## Declarație de conformitate UE

Noi, **Husqvarna AB**, SE-561 82 Huskvarna, Suedia, tel.: +46-36-146500, declarăm pe propria răspundere, că produsul:

<b>Descriere</b>	Scarificator
<b>Marcă</b>	Husqvarna
<b>Tip/Model</b>	S 138i
<b>Identificare</b>	Numere de serie începând cu 2023

respectă în totalitate următoarele directive și reglementări UE:

<b>Directivă/Regulament</b>	<b>Descriere</b>
2011/65/UE	„privind restricțiile de utilizare a anumitor substanțe periculoase în echipamentele electrice și electronice”
2006/42/CE	„privind echipamentele tehnice”
2014/30/UE	„privind compatibilitatea electromagnetică”
2000/14/CE	„privind emisiile de zgomot în mediul înconjurător”

și că au fost aplicate următoarele standarde și/sau specificații tehnice: EN 62841-1:2015/A11:2022, EN IEC 62841-4-7:2022/A11:2022, EN ISO 12100:2010, EN 55014-1:2017/A11:2020, EN 55014-2:2015, EN IEC 63000:2018.

Pentru informații privind emisiile de zgomot, consultați *Date tehnice la pagina 327*.

Huskvarna, 2023-12-30



Claes Losdal

Director de dezvoltare / Produse de grădinărit

Husqvarna AB

Responsabil pentru documentația tehnică



---

## Содержание

---

Введение.....	331	Поиск и устранение неисправностей.....	343
Безопасность.....	332	Транспортировка, хранение и утилизация.....	344
Сборка.....	339	Технические данные.....	345
Эксплуатация.....	339	Декларация о соответствии.....	348
Техническое обслуживание.....	341		

---

## Введение

---

### Описание изделия

Изделие представляет собой пешеходный электрический скарификатор. Изделие удаляет с газона солому, а также рыхлит почву, обеспечивая проникновение в нее воздуха и воды. Солома собирается в травосборник или выбрасывается на газон. Изделие оснащено оборудованием скарификатора 2 типов.

### Оборудование скарификатора

Сведения о процедуре замены оборудования скарификатора см. в разделе *Замена оборудования скарификатора на стр. 342.*

### Ударные ножи

Ударные ножи удаляют солому и вертикально разрезают корни травы. Ударные ножи следует

использовать на склонах, насыпях и для почв с высоким содержанием глины. Ударные ножи позволяют воде проникать в почву, чтобы она не скапливалась на поверхности

(Рис. 17)

### Пружинные зубцы

Пружинные зубцы бережно удаляют омертвевшую траву и солому с газона, не повреждая корни травы.

(Рис. 18)

### Назначение

Изделие используется в частных садах для удаления соломы и мха, а также для рыхления почвы. Запрещается использовать изделие для других видов работ.

### Обзор изделия

(Рис. 1)

1. Рукоятка моторного тормоза
2. Верхняя рукоятка
3. Панель управления
4. Ограничитель запуска
5. Нижняя рукоятка
6. Травосборник
7. Задняя крышка
8. Крышка скарификатора
9. Крышка аккумулятора
10. Регулятор рабочей глубины
11. Предохранительный ключ
12. Светодиодный индикатор включения/выключения
13. Кнопка ВКЛ./ВЫКЛ.
14. Кнопка SavE
15. Светодиодный индикатор SavE
16. Индикатор заряда аккумулятора и кнопка аккумулятора
17. Пружинные грабли
18. Аккумулятор (принадлежность)
19. Зарядное устройство аккумулятора (принадлежность)
20. Шестигранный ключ
21. Руководство по эксплуатации

### Символы на изделии

(Рис. 2)

ПРЕДУПРЕЖДЕНИЕ

(Рис. 3)

Прочтите инструкции.

(Рис. 4)

ПРЕДУПРЕЖДЕНИЕ: остерегайтесь отбрасываемых предметов.

(Рис. 5)

Не допускайте приближения посторонних лиц.

(Рис. 6)

ПРЕДУПРЕЖДЕНИЕ: не подносите руки и ноги к ножам и граблям.

(Рис. 7)

Перед техническим обслуживанием отсоедините аккумулятор.

(Рис. 8)

Запрещается эксплуатировать или оставлять изделие под дождем.

(Рис. 9)

Данное изделие имеет защиту от брызг воды.

(Рис. 10) Данное изделие отвечает требованиям соответствующих директив ЕС.

(Рис. 11) Данное изделие отвечает требованиям действующих директив Великобритании.

(Рис. 12) Табличка с уровнем эмиссии шума в окружающую среду в соответствии с директивами и нормативами Европейского союза, Великобританией и законодательством Нового Южного Уэльса "Регламент 2017 года по защите окружающей среды (контроль уровня шума)". Гарантированный уровень мощности звука изделия указан в разделе *Технические данные на стр. 345* и на табличке.

(Рис. 15) После завершения срока службы изделие необходимо передать в пункт переработки электрического и электронного оборудования. (Только для Европы)

(Рис. 16) Процедура запуска: нажмите кнопку ВКЛ./ ВЫКЛ., разблокируйте ограничитель запуска, опустите рукоятку моторного тормоза.

(Рис. 13) Для остановки отпустите рукоятку моторного тормоза.

(Рис. 14) Сканируемый код.

**Примечание:** Другие символы/наклейки на изделии относятся к специальным требованиям сертификации на определенных рынках.

## Повреждение изделия

Мы не несем ответственности за повреждение изделия в следующих случаях:

- ненадлежащий ремонт изделия;
- использование для ремонта изделия неоригинальных деталей или деталей, не одобренных производителем;
- использование неоригинальных дополнительных принадлежностей или принадлежностей, не одобренных производителем;
- ремонт изделия в неавторизованном сервисном центре или неквалифицированным специалистом.

---

## Безопасность

---

### Инструкции по технике безопасности

Предупреждения, предостережения и примечания используются для выделения особо важных пунктов руководства.



#### **ПРЕДУПРЕЖДЕНИЕ:**

Используется, когда несоблюдение инструкций руководства может привести к травмам или смерти оператора или находящихся рядом посторонних лиц.



**ВНИМАНИЕ:** Используется, когда несоблюдение инструкций руководства может привести к повреждению изделия, других материалов или прилегающей территории.

**Примечание:** Используется для предоставления дополнительных сведений о конкретной ситуации.

### Общие меры предосторожности при работе с агрегатом



#### **ПРЕДУПРЕЖДЕНИЕ:**

**Ознакомьтесь со всеми предупреждениями, инструкциями, иллюстрациями и положениями, касающимися техники безопасности и прилагаемыми к данному агрегату.** Несоблюдение всех указанных ниже инструкций может привести к поражению электрическим током, пожару и/или тяжелым травмам.

**Сохраните все предупреждающие указания и инструкции для последующего обращения.** Под словом "агрегат" в данном документе понимается электрический агрегат, работающий от сети (проводной) либо от аккумулятора (беспроводной).

## Техника безопасности на рабочем месте

- Рабочее место должно содержаться в чистоте и быть хорошо освещено. Загромождения или отсутствие освещения могут стать причиной несчастных случаев.
- Не пользуйтесь агрегатом во взрывоопасной атмосфере, например, в присутствии легковоспламеняющихся жидкостей, газов или пыли. Агрегат производит искры, которые могут воспламенить пыль или пары жидкостей.
- Не допускайте приближения детей и посторонних лиц к вам во время работы агрегата. Это может отвлечь ваше внимание и привести к потере управления.

## Личная безопасность

- При работе с агрегатом будьте бдительны, следите за своими действиями и руководствуйтесь здравым смыслом. Не используйте агрегат, если вы устали или находитесь под воздействием наркотических средств, алкоголя или лекарств. Малейшая невнимательность при работе с агрегатом может обернуться серьезными травмами.
- Пользуйтесь средствами индивидуальной защиты. Всегда носите защитные очки. Средства индивидуальной защиты, такие как респиратор, несכולьзающая защитная обувь, каска или средства защиты органов слуха, существенно снижают риск получения травм.
- Примите меры по предотвращению случайного включения агрегата. Перед подключением агрегата к источнику питания и/или аккумуляторному блоку, его подъемом или переноской убедитесь, что переключатель находится в выключенном положении. Не переносите агрегат, держа палец на переключателе, а также не подавайте питание на агрегаты с включенным переключателем, т.к. это может привести к несчастному случаю.
- Уберите все гаечные и регулировочные ключи, прежде чем включать агрегат. Ключ, оставленный на вращающейся части агрегата, может стать причиной травмы.
- Не вытягивайте руки с агрегатом слишком далеко. Всегда сохраняйте равновесие и устойчиво ставьте ноги. Это позволит лучше контролировать агрегат в случае возникновения непредвиденной ситуации.
- Надевайте соответствующую одежду. Не надевайте свободную одежду или украшения. Не допускайте попадания волос и одежды в движущиеся части агрегата. Свободная одежда, украшения или длинные волосы могут попасть в движущиеся части.
- Если агрегат может дополнительно оснащаться устройствами для сбора и удаления пыли, убедитесь, что они подключаются и используются надлежащим образом. Такие устройства

способствуют снижению опасностей, связанных с наличием пыли.

- Не допускайте, чтобы чувство уверенности, приобретенное вследствие частого использования агрегата, позволило вам забыть об опасностях и игнорировать принципы обеспечения безопасности. Неосторожные действия могут привести к тяжелой травме за долю секунды.

## Эксплуатация агрегата и уход за ним

- Не перегружайте агрегат. Убедитесь, что агрегат подходит для выполнения конкретной задачи. Правильно подобранный агрегат лучше и надежнее справится с задачей, соответствующей его конструктивным характеристикам.
- Не пользуйтесь агрегатом, если его переключатель не работает. Если управление агрегатом с помощью переключателя невозможно, такой агрегат представляет опасность и подлежит обязательному ремонту.
- Прежде чем производить какую-либо настройку агрегата, заменять принадлежности или убирать его на хранение, отключите агрегат от источника питания и/или снимите аккумуляторный блок (если снимается). Эти меры предосторожности позволяют исключить риск случайного включения агрегата.
- Храните неиспользуемые агрегаты в недоступном для детей месте и не позволяйте работать с агрегатом лицам, не ознакомленным с ним и с данными правилами техники безопасности. Агрегаты в руках неопытных пользователей являются источником опасности.
- Поддерживайте агрегат и принадлежности в надлежащем состоянии. Проверяйте точность настройки и отсутствие заедания движущихся частей, отсутствие поломанных деталей и иных неисправностей, которые могут нарушить работу агрегата. В случае обнаружения какой-либо неисправности устраните ее перед использованием агрегата. Многие несчастные случаи возникают из-за недостаточно тщательного ухода за агрегатами.
- Поддерживайте остроту и чистоту режущих инструментов. Исправные режущие инструменты с острыми режущими кромками меньше подвержены поломкам и более просты в управлении.
- Используйте агрегат, принадлежности, наконечники и т. д. в соответствии с данными инструкциями, принимая во внимание условия работы и специфику выполняемой задачи. Применение агрегата не по назначению может создать опасные ситуации
- Рукоятки и поверхности захвата должны быть сухими и чистыми, без следов масла и смазки. Скользкие рукоятки и поверхности захвата препятствуют безопасному обращению

и управлению агрегатом в непредвиденных ситуациях.

## Эксплуатация и обслуживание аккумуляторного инструмента

- **Выполняйте подзарядку только с помощью зарядного устройства, указанного производителем.** Зарядное устройство, подходящее для одного типа блока аккумуляторов, может создать опасность возгорания при использовании с блоком аккумуляторов другого типа.
- **Используйте оборудование только со специально предназначенными блоками аккумуляторов.** Использование других блоков аккумуляторов может создать опасность травмы или возгорания.
- **Когда блок аккумуляторов не используется, храните его вдали от других металлических предметов, таких как скрепки, монеты, ключи, гвозди, винты или прочие мелкие предметы, которые могут замкнуть клеммы аккумулятора.** Замыкание клемм аккумулятора может привести к ожогам или пожару.
- **При неправильном обращении из аккумулятора может вытечь жидкость; не допускайте контакта с вытекшей жидкостью.** При случайном прикосновении промойте место соприкосновения водой. При попадании жидкости в глаза обратитесь за медицинской помощью. Вытекшая из аккумулятора жидкость может привести к раздражению или ожогу.
- **Запрещается использовать блок аккумуляторов или инструмент, если они повреждены или модифицированы.** Поврежденные или подвергнутые модификации аккумуляторы могут работать неисправно, что приведет к возникновению пожара, взрыва или риску травм.
- **Не подвергайте блок аккумуляторов или инструмент воздействию огня или чрезмерно высоких температур.** Воздействие огня или температуры выше 130°C / 265°F может привести к взрыву.
- **Точно следуйте всем инструкциям по зарядке и ни в коем случае не заряжайте блок аккумуляторов или инструмент при температуре, выходящей за пределы указанного в инструкциях диапазона.** Ненадлежащая зарядка или зарядка при температуре выше или ниже указанного диапазона может привести к повреждению аккумулятора и повышенному риску пожара.

## Сервисное обслуживание

- **Сервисное обслуживание агрегата должны выполнять квалифицированные специалисты по ремонту оборудования с использованием только идентичных запчастей.** Это гарантирует безопасность эксплуатации агрегата.
- **Никогда не выполняйте обслуживание поврежденных аккумуляторных блоков.** Обслуживание аккумуляторных блоков должно

выполняться только производителем или специалистами авторизованных сервисных центров.

## Указания техники безопасности при работе с изделием

- **Не используйте изделие в плохих погодных условиях, особенно если существует риск удара молнии.** Это позволяет уменьшить риск поражения молнией.
- **Внимательно осмотрите участок, где будет использоваться изделие, на наличие диких животных.** Во время работы изделие может травмировать диких животных.
- **Внимательно осмотрите место эксплуатации изделия, уберите все камни, палки, провода, кости и прочие посторонние предметы.** Отбрасываемые предметы могут стать причиной травмы.
- **Каждый раз перед эксплуатацией изделия осматривайте ножи или грабли и их крепление на наличие износа и повреждений.** Поврежденные или изношенные детали повышают риск получения травмы.
- **Регулярно проверяйте травосборник на наличие износа или повреждений.** Поврежденный или изношенный травосборник повышает риск получения травмы.
- **Кожухи должны быть всегда установлены. Кожухи должны быть исправны и установлены надлежащим образом.** Незакрепленный, поврежденный или неправильно используемый кожух может стать причиной травмы.
- **Следите за тем, чтобы на воздухозаборниках не было загрязнений.** Засоренные воздухозаборники и мусор могут привести к перегреву или возгоранию.
- **При работе с изделием всегда надевайте защитную обувь с нескользящей подошвой. Запрещается работать с изделием босиком или в открытых сандалиях.** Эта мера необходима для снижения риска получения травм ног от контакта с вращающимися ножами или граблями.
- **При эксплуатации изделия обязательно надевайте длинные брюки.** Непокрытые участки тела подвержены большому риску получения травмы от отбрасываемых предметов.
- **Запрещается эксплуатировать изделие во влажной траве. Во время эксплуатации изделия следует идти, ни в коем случае не бежать.** Это снижает риск поскользывания и падения и, как следствие, получения травм.
- **Запрещается использовать изделие на очень крутых склонах.** Это снижает риск потери управления, поскользывания и падения и, как следствие, получения травм.
- **При работе на склонах всегда сохраняйте устойчивое положение, перемещайтесь поперек склона, никогда не двигайтесь вверх или вниз**

- и будьте предельно осторожны при изменении направления движения. Это снижает риск потери управления, поскользывания и падения и, как следствие, получения травм.
- Будьте особенно внимательны при перемещении изделия задним ходом или на себя. Всегда следите за окружающей обстановкой. Это снижает риск спотыкания во время работы.
- Во время работы держите изделие только за изолированную поверхность захвата, поскольку ножи или грабли могут войти в контакт со скрытой проводкой или шнуром изделия. При контакте ножей или граблей с проводом, находящимся под напряжением, неизолированные металлические части изделия тоже окажутся под напряжением и могут поразить оператора электрическим током.
- Не прикасайтесь к ножам, граблям и другим опасным движущимся частям, пока они находятся в движении. Это снижает риск получения травм от движущихся частей.
- Перед удалением застрявшего материала или очисткой изделия убедитесь, что все переключатели питания отключены и аккумуляторный блок отсоединен. Неожиданное срабатывание изделия может привести к серьезной травме.

## Общие инструкции по технике безопасности



**ПРЕДУПРЕЖДЕНИЕ:** В обязательном порядке прочитайте следующие инструкции по технике безопасности, прежде чем приступать к эксплуатации изделия.

- При небрежном или неправильном обращении изделие может представлять собой опасность. Несоблюдение инструкций по технике безопасности может привести к травмам или смерти.
- Во время работы данное изделие создает электромагнитное поле. В определенных обстоятельствах это поле может создавать помехи для пассивных и активных медицинских имплантатов. В целях снижения риска серьезной или смертельной травмы лицам с медицинскими имплантатами рекомендуется проконсультироваться с врачом и изготовителем имплантата, прежде чем приступать к эксплуатации данного изделия.
- Всегда соблюдайте осторожность и руководствуйтесь здравым смыслом. Если вы не уверены, как правильно эксплуатировать изделие в определенной ситуации, прекратите работу и проконсультируйтесь с дилером Husqvarna, прежде чем продолжать.

- Помните: ответственность за несчастные случаи, угрожающие другим людям или их имуществу, несет оператор изделия.
- Содержите изделие в чистоте. Следите за тем, чтобы знаки и наклейки были легко читаемыми.
- Ни в коем случае не позволяйте использовать оборудование детям или лицам, не ознакомившимся с данными инструкциями. Допустимый возраст пользователя может быть ограничен местным законодательством.
- Не оставляйте без присмотра людей с физическими или умственными нарушениями, использующих изделие. Они должны постоянно находиться под присмотром взрослого.
- Ни в коем случае не используйте изделие, если вы устали, больны или находитесь под воздействием алкоголя, наркотических веществ или лекарственных препаратов. Это может повлиять на ваше зрение, реакцию, координацию или оценку действительности.
- Не используйте изделие, если оно повреждено или работает неправильно.
- Запрещается вносить изменения в изделие или использовать его, если вы подозреваете, что конструкция была модифицирована.

## Техника безопасности во время работы



**ПРЕДУПРЕЖДЕНИЕ:** В обязательном порядке прочитайте следующие инструкции по технике безопасности, прежде чем приступать к эксплуатации изделия.

- Используйте данное изделие только для удаления соломы и мха с газонов. Запрещается использовать изделие не по назначению.
- Пользуйтесь средствами индивидуальной защиты. См. раздел *Средства индивидуальной защиты на стр. 336*.
- Убедитесь, что вы знаете, как быстро остановить двигатель в аварийной ситуации.
- Запрещается эксплуатировать изделие под дождем или в условиях высокой влажности. В этих условиях увеличивается риск поражения электрическим током.
- Запрещается использовать изделие, если ножи, грабли или крышки установлены неправильно. Неправильно установленные ножи или грабли могут слететь и стать причиной травмы.
- Следите за тем, чтобы ножи или грабли не ударились о посторонние предметы, например камни и корни. Это может привести к повреждению ножей или граблей и искривлению вала двигателя. При искривлении вала увеличивается уровень вибрации, что может привести к ослаблению крепления ножей или граблей.

- В случае удара ножей или граблей о посторонний предмет или возникновения вибрации незамедлительно остановите изделие. Остановите двигатель, поверните предохранительный ключ в положение "0" и снимите аккумулятор. Дождитесь остановки движущихся частей. Проверьте изделие на наличие повреждений. Затяните ослабленные детали. Выполните ремонт и замену поврежденных деталей. Обратитесь в официальный сервисный центр для выполнения ремонта.
- Во время работы двигателя не прижимайте рукоятку моторного тормоза к рукоятке изделия на длительный период времени.
- При запуске изделие должно находиться на устойчивой ровной поверхности. Убедитесь, что ножи или грабли не касаются грунта или любого другого предмета.
- При работе с изделием всегда стойте сзади.
- Во время работы все колеса изделия должны находиться на земле; держите рукоятку обеими руками. Держите руки и ноги на безопасном расстоянии от вращающихся ножей и граблей.
- Не наклоняйте изделие при запуске двигателя или во время работы.
- Соблюдайте осторожность, когда тянете изделие назад.
- Запрещается поднимать изделие во время работы двигателя. Если изделие необходимо поднять, сначала выключите двигатель, поверните предохранительный ключ в положение "0" и извлеките аккумулятор.
- При работе с изделием запрещается двигаться назад.
- Остановите двигатель, если необходимо наклонить изделие для транспортировки или перед перемещением по участкам без травы, например по дорожкам из гравия, камня или асфальта.
- Запрещается бегать с изделием во время работы двигателя. Работайте с изделием в спокойном темпе.
- Выключите двигатель, прежде чем менять рабочую глубину. Запрещается выполнять регулировку при работающем двигателе.
- Ни в коем случае не выпускайте из вида изделие с работающим двигателем. Остановите двигатель, поверните предохранительный ключ в положение "0" и снимите аккумулятор. Убедитесь, что оборудование скарификатора не вращается.
- Вибрации изделия во время работы могут отличаться от заявленного значения, приведенного в разделе *Технические данные на стр. 345*. Эта разница объясняется зависимостью уровня вибрации от условий эксплуатации изделия. При частом или продолжительном использовании изделия регулярно делайте перерывы во избежание травм от вибрации.

## Инструкции по безопасности во время эксплуатации

### Средства индивидуальной защиты



**ПРЕДУПРЕЖДЕНИЕ:** В обязательном порядке прочитайте следующие инструкции по технике безопасности, прежде чем приступить к эксплуатации агрегата.

- Средства индивидуальной защиты не могут полностью исключить риск получения травмы, но при несчастном случае они снижают тяжесть травмы. За помощью по правильному выбору оборудования обращайтесь к дилеру.
- Используйте прочные, противоскользящие ботинки. Запрещается надевать открытую обувь или работать босиком.
- Надевайте прочные длинные брюки.
- При необходимости надевайте защитные перчатки, например, при закреплении, проверке или очистке режущего оборудования.
- Рекомендуется использовать защитные наушники.

### Защитные устройства на изделии



**ПРЕДУПРЕЖДЕНИЕ:** В обязательном порядке прочитайте следующие инструкции по технике безопасности, прежде чем приступить к эксплуатации изделия.

- Не используйте изделие, если защитные устройства повреждены или работают неправильно.
- Запрещается снимать защитные устройства или вносить в них какие-либо изменения.
- Регулярно выполняйте проверку защитных устройств. Если защитные устройства повреждены или работают неправильно, обратитесь в сервисный центр Husqvarna.

### Проверка крышек

Крышка скарификатора снижает уровень вибрации изделия и риск травмирования оборудованием скарификатора.

- Проверьте боковую крышку скарификатора и убедитесь, что на ней отсутствуют повреждения, такие как трещины.
- Проверьте заднюю крышку и убедитесь, что на ней отсутствуют повреждения, такие как трещины.



## Рукоятка моторного тормоза

Рукоятка моторного тормоза предназначена для остановки двигателя. При отпускании рукоятки тормоза двигатель останавливается.

Чтобы проверить моторный тормоз, запустите двигатель, а затем отпустите рукоятку тормоза. Если двигатель не остановится через 3 секунды, обратитесь в официальный сервисный центр Husqvarna для регулировки моторного тормоза.

(Рис. 19)

## Предохранительный ключ

Предохранительный ключ находится под крышкой аккумулятора. Предохранительный ключ используется для подключения аккумулятора, от которого на двигатель поступает питание.

- Чтобы проверить работу предохранительного ключа, запустите и остановите двигатель.
- Если предохранительный ключ исправен, то двигатель запускается только при переводе ключа в положение "1".

(Рис. 20)

## Проверка ограничителя запуска

Проверьте ограничитель запуска и убедитесь, что он блокирует работу двигателя.

1. Прижмите рукоятку моторного тормоза в направлении рукоятки управления. Ограничитель запуска останавливает движение.
2. Поверните ограничитель запуска в направлении, указанном стрелкой. (Рис. 21)
3. Разблокируйте ограничитель запуска и убедитесь, что он возвращается в исходное положение.

## Техника безопасности при работе с аккумулятором



**ПРЕДУПРЕЖДЕНИЕ:** В обязательном порядке прочитайте следующие инструкции по технике безопасности, прежде чем приступать к эксплуатации изделия.

- Используйте перезаряжаемые аккумуляторы Husqvarna только с теми изделиями Husqvarna, для которых они предназначены. Во избежание травм запрещается использовать аккумулятор в качестве источника питания для других устройств.
- Запрещается использовать одноразовые аккумуляторы.
- Риск поражения электрическим током. Не допускайте контакта клемм аккумулятора с ключами, монетами, винтами или другими

металлическими предметами. Это может привести к короткому замыканию аккумулятора.

- Не размещайте посторонние предметы на воздухозаборниках аккумулятора.
- Аккумулятор не должен подвергаться воздействию солнечного света, тепла или открытого пламени. Аккумулятор может взорваться и стать причиной ожогов, в том числе химических.
- Защищайте аккумулятор от дождя и сырости.
- Не подвергайте аккумулятор воздействию микроволн и высокого давления.
- Не пытайтесь разбирать или ломать аккумулятор.
- При возникновении утечки из аккумулятора не допускайте попадания жидкости на кожу или в глаза. При контакте с жидкостью промойте затронутый участок большим количеством воды и обратитесь за медицинской помощью.
- Используйте аккумулятор в изделии только при температуре окружающей среды в диапазоне от 5 до 40 °C.
- Используйте зарядное устройство только при температуре окружающей среды в диапазоне от 5 до 40 °C.
- Аккумулятор не будет заряжаться, если его температура превышает 50 °C.
- Очистка аккумулятора или зарядного устройства водой запрещена. См. раздел *Аккумулятор на стр. 343*.
- Запрещается использовать поврежденный аккумулятор.
- Храните аккумуляторы вдали от металлических предметов, таких как гвозди, монеты или ювелирные изделия.

## Техника безопасности при работе с зарядным устройством для аккумулятора



**ПРЕДУПРЕЖДЕНИЕ:** В обязательном порядке прочитайте следующие инструкции по технике безопасности, прежде чем приступать к эксплуатации изделия.

- Для зарядки перезаряжаемых аккумуляторов Husqvarna используйте только зарядные устройства QC.
- Риск поражения электрическим током или короткого замыкания. Не размещайте посторонние предметы на воздухозаборниках зарядного устройства. Не пытайтесь разбирать зарядное устройство. Запрещается подключать клеммы зарядного устройства к металлическим предметам. Используйте одобренную сетевую розетку.
- Во время работы данное изделие создает электромагнитное поле. В определенных обстоятельствах это поле может создавать помехи для пассивных и активных медицинских

имплантатов. В целях снижения риска серьезной или смертельной травмы лицам с медицинскими имплантатами рекомендуется проконсультироваться с врачом и изготовителем имплантата, прежде чем приступать к эксплуатации данного изделия.

- Регулярно проверяйте шнур питания зарядного устройства на отсутствие повреждений или трещин.
- Не поднимайте зарядное устройство за шнур питания. Для отсоединения зарядного устройства от сетевой розетки потяните за вилку. Не тяните за шнур питания.
- Не допускайте контакта шнура питания и удлинителя с водой, маслом или острыми краями. Проверьте, что шнур не застрял в двери, заборе и т.д. В противном случае зарядное устройство может оказаться под напряжением.
- Запрещается очищать зарядное устройство водой.
- Дети старше 8 лет и лица с ограниченными физическими, сенсорными или умственными способностями или недостатком опыта и знаний могут использовать зарядное устройство только под надзором или после ознакомления с инструкциями относительно безопасной эксплуатации зарядного устройства и возможными рисками. Не позволяйте детям играть с зарядным устройством. Очистка и техническое обслуживание не должны проводиться детьми без надзора.
- Запрещается заряжать одноразовые аккумуляторы в зарядном устройстве.
- Запрещается использовать зарядное устройство вблизи легковоспламеняющихся материалов и материалов, которые вызывают коррозию. Не накрывайте зарядное устройство. В случае появления дыма или огня извлеките вилку зарядного устройства из розетки.
- Запрещается использовать неисправное или поврежденное зарядное устройство.
- Заряжайте аккумулятор только в хорошо проветриваемом помещении вдали от солнечных лучей. Запрещается заряжать аккумулятор в условиях высокой влажности.

следующие инструкции по технике безопасности, прежде чем приступать к эксплуатации изделия.

- Во избежание случайного запуска во время обслуживания поверните предохранительный ключ в положение "0" и извлеките аккумулятор. Подождите не менее 5 секунд, прежде чем приступить к обслуживанию.
- Чтобы продлить срок службы изделия и снизить вероятность несчастных случаев, соблюдайте все требования к проведению обслуживания. Обратитесь в официальный сервисный центр для выполнения ремонта. Для получения дополнительной информации обратитесь в ближайший сервисный центр.
- Выполняйте только те работы по техобслуживанию, которые указаны в данном руководстве по эксплуатации. Расширенное обслуживание выполняется в официальном сервисном центре.
- Во избежание травм не вносите никаких изменений в защитные устройства и не снимайте их.
- При работе с оборудованием скарификатора надевайте прочные защитные перчатки. Оборудование скарификатора очень острое и при неосторожном обращении может легко привести к порезам.
- Для повышения качества и безопасности работы регулярно затачивайте и чистите ножи и грабли скарификатора.
- Регулярно обращайтесь в сервисный центр для проверки изделия и выполнения необходимых регулировок и ремонта.
- Замените поврежденные, сломанные или изношенные детали. Используйте только оригинальные запчасти от производителя. Другие запчасти могут привести к повреждению изделия и повысить риск несчастных случаев.
- Соблюдайте указания по замене принадлежностей. Пользуйтесь только оригинальными принадлежностями от производителя.
- Храните изделие, аккумулятор и зарядное устройство по отдельности в сухом помещении под замком. Не допускайте к изделию, аккумулятору и зарядному устройству детей и лиц, не имеющих соответствующего разрешения.

## Инструкции по технике безопасности во время технического обслуживания



**ПРЕДУПРЕЖДЕНИЕ:** В обязательном порядке прочитайте

---

## Сборка

---

### Вводная информация



**ПРЕДУПРЕЖДЕНИЕ:** Прежде чем выполнять сборку изделия, прочитайте раздел по технике безопасности.



**ПРЕДУПРЕЖДЕНИЕ:** Во избежание случайного запуска во время сборки переведите предохранительный ключ в положение "0", извлеките аккумулятор и подождите не менее 5 секунд.

### Сборка рукоятки

1. Ослабьте нижние ручки.
2. Переместите ручки в нижние положения в пазах с левой и правой стороны изделия. (Рис. 22)
3. Установите рукоятку в одно из 2 доступных положений по высоте.
4. Переместите ручки вверх в направлении рукоятки до упора. Вы должны услышать щелчок. (Рис. 23)
5. Надежно затяните ручки.

### Установка травосборника

1. Установите раму травосборника на мешок травосборника таким образом, чтобы жесткая часть мешка оказалась внизу. Ручка рамы должна располагаться поверх мешка. (Рис. 24)
2. Установите нижнюю часть рамы травосборника в канавку в нижней части травосборника.
3. Закрепите мешок на раме травосборника зажимами. (Рис. 25)
4. Поднимите заднюю крышку.
5. Правильно разместите травосборник. (Рис. 26)
6. Установите травосборник на верхний край шасси. Во избежание утечек убедитесь, что задняя крышка плотно прилегает к травосборнику. (Рис. 27)

---

## Эксплуатация

---

### Введение



**ПРЕДУПРЕЖДЕНИЕ:** Перед эксплуатацией прибора необходимо внимательно изучить раздел безопасности.

### Husqvarna Connect

Husqvarna Connect представляет собой бесплатное приложение для мобильного устройства. Приложение Husqvarna Connect позволяет пользоваться расширенными функциями вашего изделия Husqvarna:

- Дополнительная информация об изделии.
- Сведения о деталях и помощь в техническом обслуживании.

### Как начать использовать Husqvarna Connect

1. Загрузите приложение Husqvarna Connect на свое мобильное устройство.
2. Зарегистрируйтесь в приложении Husqvarna Connect.
3. Выполните пошаговые инструкции в приложении Husqvarna Connect для подключения и регистрации изделия.

### Настройка рабочей глубины



**ПРЕДУПРЕЖДЕНИЕ:** Запрещается регулировать рабочую глубину во время эксплуатации изделия.

1. Нажмите на ручку регулировки рабочей глубины и поверните ее против часовой стрелки, чтобы увеличить рабочую глубину.
2. Нажмите на ручку регулировки рабочей глубины и поверните ее по часовой стрелке, чтобы уменьшить рабочую глубину. (Рис. 28)

### Аккумулятор



**ПРЕДУПРЕЖДЕНИЕ:** Перед эксплуатацией аккумулятора ознакомьтесь с разделом, посвященным безопасности, и усвойте его содержание. Прочтите и усвойте также все сведения, приведенные в руководстве по эксплуатации аккумулятора и зарядного устройства.

Храните аккумулятор и зарядное устройство при допустимой температуре окружающей среды.

	Температура окружающей среды
Эксплуатация аккумулятора	от 5 до 40 °С
Зарядка аккумулятора	от 5 до 40 °С

## Состояние аккумулятора

На дисплее отображается оставшаяся емкость аккумулятора и уведомления о его неисправностях (при наличии). Нажмите кнопку индикатора аккумулятора, чтобы получить информацию о состоянии заряда аккумулятора. Предупреждающий символ на аккумуляторе загорается в случае возникновения ошибки. См. раздел *Аккумулятор на стр. 343*.

(Рис. 29)

Светодиодные индикаторы	Состояние аккумулятора
Все светодиоды горят	Аккумулятор полностью заряжен (76–100%)
Светодиоды 1, 2, 3 горят	Аккумулятор заряжен на 51–75%
Светодиоды 1, 2 горят	Аккумулятор заряжен на 26–50%
Светодиодный индикатор 1 горит	Аккумулятор заряжен на 6–25%.
Светодиод 1 мигает	Аккумулятор заряжен на 0–5%.

## Зарядка аккумулятора

Зарядите аккумулятор перед первым использованием. Поставляемый аккумулятор заряжен только на 30%.

**Примечание:** Подсоединяйте зарядное устройство к сети питания с напряжением и частотой, указанными на паспортной табличке.

Зарядка не выполняется, если температура аккумулятора превышает 50 °С. Прежде чем начать зарядку, зарядное устройство охлаждает аккумулятор до приемлемой температуры.

1. Вставьте один конец силового кабеля зарядного устройства в гнездо зарядного устройства.
2. Второй конец силового кабеля зарядного устройства вставьте в заземленную розетку сети электропитания. Светодиод на зарядном устройстве мигнет зеленым цветом один раз. (Рис. 30)

3. Вставьте аккумулятор в зарядное устройство. При правильном подключении аккумулятора к зарядному устройству загорается индикатор зеленого цвета. (Рис. 31)
4. Когда на аккумуляторе загорятся все светодиоды, это означает полную зарядку. Длительность зарядки аккумулятора не должна превышать 24 часа.
5. Чтобы отсоединить зарядное устройство от розетки, потяните не за кабель, а за штекер.
6. Извлеките аккумулятор из зарядного устройства.

## Запуск изделия

1. Вставьте заряженный аккумулятор в аккумуляторный отсек 1 под крышкой аккумулятора. Чтобы продлить время работы, вставьте второй заряженный аккумулятор в аккумуляторный отсек 2.
2. Переверните предохранительный ключ в положение "1". (Рис. 32)
3. Стойте сзади изделия.
4. Нажмите кнопку вкл./выкл. (A) на панели управления, после чего должен загореться зеленый светодиодный индикатор (B). (Рис. 33)
5. Разблокируйте ограничитель запуска. (Рис. 34)
6. Прижмите рукоятку моторного тормоза в направлении рукоятки агрегата. (Рис. 35)

## Использование функции Save

На агрегате предусмотрена функция экономии ресурса аккумулятора (SavE), которая продлевает время работы.

1. Чтобы включить эту функцию, нажмите кнопку SavE (A). Загорается зеленый светодиодный индикатор. (Рис. 36)
2. Чтобы отключить эту функцию, повторно нажмите кнопку SavE. Зеленый светодиодный индикатор (B) гаснет.

## Функция высокой нагрузки

При стрижке высокой или влажной травы двигатель автоматически увеличивает число оборотов. Когда необходимость в высокой нагрузке отпадает, двигатель возвращается в стандартный режим работы.

## Остановка двигателя

Во время работы нож и двигатель могут временно остановиться из-за помех, например из-за скопления травы под кожухом режущего оборудования. Если это происходит и вы держите рукоятку моторного тормоза прижатой, изделие автоматически перезапустится. Если изделие не перезапускается в течение 5–10 секунд, возможно, необходимо очистить область под кожухом режущего оборудования. См. раздел *Очистка изделия на стр. 342*.



**ПРЕДУПРЕЖДЕНИЕ:** Если двигатель останавливается, изделие автоматически пытается перезапуститься в течение 5–10 секунд. Подождите не менее 15 секунд, прежде чем проверять кожку режущего оборудования.



**ПРЕДУПРЕЖДЕНИЕ:** Перед проверкой кожу режущего оборудования отпустите рукоятку моторного тормоза, поверните предохранительный ключ в положение "0", извлеките аккумулятор и подождите не менее 5 секунд. При случайном запуске изделия во время удаления помехи существует риск получения травмы.

не выпускайте из вида изделие с работающим двигателем. Остановите двигатель, поверните предохранительный ключ в положение "0" и снимите аккумулятор. Убедитесь, что оборудование скарификатора не вращается.

1. Отпустите рукоятку моторного тормоза, чтобы остановить двигатель. (Рис. 37)
2. Нажмите кнопку ВКЛ./ВЫКЛ. (А) на панели управления, после чего зеленый светодиодный индикатор (В) должен погаснуть. (Рис. 33)
3. Откройте крышку аккумулятора и поверните предохранительный ключ в положение "0". (Рис. 38)
4. Чтобы извлечь аккумулятор, одновременно нажмите на 2 кнопки разблокировки и извлеките аккумулятор. (Рис. 39)
5. Зарядите аккумулятор, если он разряжен. Для получения дополнительных сведений см. раздел *Зарядка аккумулятора на стр. 340.*

## Выключение изделия

Если изделие не используется в течение 10 минут, оно автоматически выключается. Ни в коем случае

# Техническое обслуживание

## Вводная информация



**ПРЕДУПРЕЖДЕНИЕ:** Перед выполнением техобслуживания необходимо внимательно изучить и понять информацию в раздел по технике безопасности.

обратитесь к нему для получения информации о ближайшем сервисном центре.

Дополнительную информацию см. в разделе [www.husqvarna.com](http://www.husqvarna.com).

## График технического обслуживания

График технического обслуживания составлен исходя из ежедневного использования изделия. Если изделие не используется ежедневно, интервалы техобслуживания изменятся.

Сведения о техническом обслуживании, отмеченном знаком \*, см. в разделе *Защитные устройства на изделии на стр. 336.*

Для выполнения любых работ по сервисному обслуживанию и ремонту изделия необходимо пройти специальное обучение. Мы гарантируем доступность услуг по профессиональному ремонту и сервисному обслуживанию. Если ваш дилер не предоставляет услуги сервисного обслуживания,

S 138i	При каждом использовании	Ежемесячно	Каждый сезон
Выполните общий осмотр.	X		
Очистите изделие.	X		
Проверьте оборудование скарификатора.	X		
Убедитесь, что защитные устройства изделия не повреждены. *	X		
Проверьте крышки. *	X		
Проверьте рукоятку моторного тормоза. *	X		
Проверьте работу ограничителя запуска. *	X		
Проверьте работу и состояние кнопки ВКЛ./ВЫКЛ.	X		

S 138i	При каждом использовании	Ежемесячно	Каждый сезон
Проверьте аккумулятор на наличие повреждений.	X		
Проверьте уровень заряда аккумулятора.	X		
Проверьте работу кнопок фиксатора и надежность установки аккумулятора в изделии.	X		
Проверьте состояние и правильность работы зарядного устройства.		X	
Проверьте соединения между аккумулятором и изделием. Проверьте также соединения между аккумулятором и зарядным устройством.			X

## Выполнение общего осмотра

- Проверьте затяжку гаек и винтов на изделии.
- Убедитесь, что расположение кабелей не допускает возможности их повреждения.

## Очистка изделия

- Очистите пластмассовые детали чистой и сухой тканью.
- Не используйте воду для очистки изделия от загрязнений. Попадание воды в аккумулятор или двигатель может вызвать короткое замыкание или повредить изделие.
- Не используйте моечный агрегат высокого давления для очистки изделия.
- Не направляйте струю воды непосредственно на двигатель.
- Используйте щетку для удаления листьев, травы и грязи.

## Очистка аккумулятора и зарядного устройства



**ПРЕДУПРЕЖДЕНИЕ:** Очистка аккумулятора или зарядного устройства водой запрещена.



**ПРЕДУПРЕЖДЕНИЕ:** Не используйте химические реагенты для очистки аккумулятора.

- Прежде чем устанавливать аккумулятор в зарядное устройство, убедитесь, что аккумулятор и зарядное устройство чистые и сухие.
- Используйте для очистки клемм аккумулятора сжатый воздух или мягкую и сухую ткань.
- Очистите поверхности аккумулятора и зарядного устройства мягкой и сухой тканью.

## Проверка оборудования скарификатора



**ПРЕДУПРЕЖДЕНИЕ:** Во избежание случайного запуска переведите предохранительный ключ в положение "0", извлеките аккумулятор и подождите не менее 5 секунд.



**ПРЕДУПРЕЖДЕНИЕ:** Надевайте защитные перчатки при техобслуживании оборудования скарификатора. Ножи и грабли скарификатора очень острые и при неосторожном обращении могут легко привести к порезам.

- Проверьте оборудование скарификатора на наличие повреждений или трещин. Всегда заменяйте поврежденное оборудование скарификатора.

## Замена оборудования скарификатора



**ПРЕДУПРЕЖДЕНИЕ:** Надевайте защитные перчатки при техобслуживании оборудования скарификатора. Оборудование скарификатора очень острое, что при неосторожном обращении может легко привести к порезам

1. Положите изделие на правый бок. (Рис. 40)
2. Отверните 2 винта (А) и снимите крышку скарификатора (В). Потяните оборудование скарификатора (С) вверх и наружу, чтобы извлечь его. (Рис. 41)

3. Вставьте новое оборудование скарификатора (С) в паз и вниз по отверстию. Установите крышку скарификатора (В) и заверните 2 винта (А) (Рис. 42)

## Поиск и устранение неисправностей

### Аккумулятор

Светодиодный индикатор на аккумуляторе	Причина	Решение
Зеленый светодиодный индикатор мигает.	Низкое напряжение аккумулятора.	Зарядите аккумулятор. См. раздел <i>Зарядка аккумулятора на стр. 340.</i>
Светодиодный индикатор ошибки на аккумуляторе мигает.	Аккумулятор может быть слишком холодным или слишком горячим для использования.	Дайте аккумулятору остыть или переместите его в помещение, чтобы прогреть его. Когда температура аккумулятора будет соответствовать норме, его можно использовать снова. Используйте аккумулятор в изделии только при температуре окружающей среды в диапазоне от 5 до 40 °С.
	Аккумулятор разряжен.	Зарядите аккумулятор. См. раздел <i>Зарядка аккумулятора на стр. 340.</i>
Загорается светодиодный индикатор ошибки на аккумуляторе.	Возникла постоянная ошибка аккумулятора.	Обратитесь в сервисный центр Husqvarna.

### Зарядное устройство

Светодиодный индикатор на зарядном устройстве аккумулятора	Причина	Решение
Светодиодный индикатор ошибки мигает или загорается.	Слишком высокая или слишком низкая температура зарядного устройства для использования.	Дайте зарядному устройству остыть или переместите его в помещение, чтобы прогреть его. Когда температура зарядного устройства будет в норме, его можно использовать снова. Используйте зарядное устройство при температуре окружающей среды в диапазоне от 5 до 40 °С.
	Прочие ошибки.	Обратитесь в сервисный центр Husqvarna.

## Панель управления

Ошибка	Код ошибки (количество миганий)	Возможные неисправности	Возможные действия
Мигает светодиодный индикатор ошибки	3	Перегрузка двигателя.	Уменьшите рабочую глубину. См. раздел <i>Настройка рабочей глубины на стр. 339</i> . Если светодиодный индикатор ошибки продолжает мигать, оборудование скарификатора заблокировано. Во избежание случайного запуска переведите предохранительный ключ в положение "0", извлеките аккумулятор и подождите не менее 5 секунд. Убедитесь, что оборудование скарификатора свободно вращается. Если неисправность не устранена, обратитесь в официальный сервисный центр.
	5	Слишком низкая частота вращения двигателя привела к остановке двигателя.	
	9	Перегрев системы управления двигателем.	
	7	Ошибка аккумулятора или отсутствие сигнала от аккумулятора.	
Изделие останавливается	6	Слишком низкий заряд аккумулятора.	Зарядите аккумулятор. См. раздел <i>Зарядка аккумулятора на стр. 340</i> .
	Не мигает.	Неисправность разъема аккумулятора.	
Прочие ошибки	При возникновении других ошибок поверните предохранительный ключ в положение "0", извлеките аккумулятор и обратитесь в авторизованный сервисный центр.		

## Транспортировка, хранение и утилизация

### Вводная информация



**ПРЕДУПРЕЖДЕНИЕ:** Во избежание случайного запуска во время транспортировки и хранения переведите предохранительный ключ в положение "0", извлеките аккумулятор и подождите не менее 5 секунд.

### Транспортировка

- На литий-ионные аккумуляторы в комплекте изделия распространяются требования, предъявляемые к опасным товарам.
- Соблюдайте специальные требования к перевозке коммерческим транспортом, указанные на упаковке и ярлыках.
- При подготовке изделия к транспортировке тщательно выполняйте все требования, предъявляемые к опасным веществам. Могут также применяться требования местного законодательства.
- Перед транспортировкой всегда извлекайте аккумулятор.
- Заклейте разъемы аккумулятора лентой и закрепите аккумулятор таким образом, чтобы во время транспортировки он не мог сместиться.
- Надежно закрепите изделие на время транспортировки.



## Хранение

- Перед помещением изделия на хранение всегда извлекайте аккумулятор.
- Перед помещением на хранение дайте изделию остыть.
- Во избежание несчастных случаев при помещении изделия на хранение убедитесь, что к нему не подключен аккумулятор.
- Храните зарядное устройство в закрытом и сухом помещении.
- Храните аккумулятор и зарядное устройство в сухом помещении, защищенном от влаги и низких температур.
- Храните аккумулятор отдельно от зарядного устройства.
- Не допускается хранение аккумулятора в местах, где возможно возникновение статического электричества. Запрещается хранить аккумулятор в металлической коробке.
- Храните изделие при температуре окружающей среды в диапазоне от -10 до 40 °С.
- Храните аккумулятор при температуре 5–25 °С и не подвергайте воздействию прямых солнечных лучей.
- Храните зарядное устройство при температуре 5–45 °С и не подвергайте воздействию прямых солнечных лучей.
- Перед помещением аккумулятора на длительное хранение убедитесь, что он заряжен на 30–50%.
- Храните изделие, аккумулятор и зарядное устройство в запечатом помещении, вне доступа

детей и лиц, не имеющих соответствующего разрешения.

- Очистите изделие и вытряхните содержимое травосборника.
- Выполняйте техобслуживание в соответствии с инструкциями, приведенными в данном руководстве по эксплуатации. См. раздел *График технического обслуживания на стр. 341*.
- Перед помещением изделия на длительное хранение проведите полное обслуживание

## Утилизация

Обозначения на изделии или его упаковке указывают, что данное изделие не может быть утилизировано в качестве бытовых отходов. Оно должно быть передано в соответствующий пункт для переработки электрического и электронного оборудования.

Обеспечив надлежащую утилизацию данного изделия, вы можете предотвратить потенциальное отрицательное влияние на окружающую среду и здоровье людей, которое иначе может быть последствием неправильной утилизации. Более подробную информацию о переработке данного изделия получите в Городском управлении, у службы, занимающейся переработкой бытовых отходов либо в магазине, где вы приобрели изделие.

(Рис. 43)

---

## Технические данные

---

### Технические данные

<b>S 138i</b>	
<b>Электродвигатель</b>	
Тип двигателя	BLDC (бесщеточный, постоянного тока), 36 В
Частота вращения оборудования – SavE, об/мин	3000
Частота вращения оборудования – номинальная, об/мин	3200
Мощность двигателя — макс., кВт	1,28
Мощность двигателя — номинальная, кВт	0,9
<b>Вес</b>	
Вес без травосборника (без аккумулятора), кг	19,5
Вес с травосборником (вкл. 1 x BLi30), кг	23
<b>Аккумулятор</b>	
Тип аккумулятора	Аккумулятор серии Husqvarna

<b>S 138i</b>	
<b>Время работы от аккумулятора</b>	
Время работы от аккумулятора, минуты, (на холостом ходу) с включенной функцией SavE, с одним аккумулятором Husqvarna 7,5 А·ч (BLi30).	195
Время работы от аккумулятора, минуты, (на холостом ходу) в стандартном режиме, с одним аккумулятором Husqvarna 7,5 А·ч (BLi30).	175
<b>Излучение шума</b> <sup>61</sup>	
Уровень мощности звука, измеренный, дБ(А)	89
Уровень мощности звука, гарантированный, L <sub>WA</sub> , дБ(А)	91
<b>Уровни шума</b> <sup>62</sup>	
Уровень звукового давления на уши оператора, дБ(А)	75
<b>Уровни вибрации</b> <sup>63</sup>	
На рукоятке, м/с <sup>2</sup>	5,5
<b>Работа</b>	
Рабочая глубина, макс./мин., мм	-8/+5
Рабочая ширина, см	37,5
Оборудование, ударные ножи	5973510-01
Оборудование, пружинные грабли	5973509-01
Емкость травосборника, л	45

Рекомендованные аккумуляторы	Тип	Емкость аккумулятора, А·ч	Напряжение, В	Масса, фунт / кг
BLi30	Литий-ионный	7,5	36	4,2 / 1,9
40-B140	Литий-ионный	4,0	36	2,6 / 1,2

Рекомендованные зарядные устройства для указанных аккумуляторов, BLi	Входное напряжение, В	Частота, Гц	Мощность, Вт
40-C80	100–240	50–60	68,8

<sup>61</sup> Излучение шума в окружающую среду измеряется как мощность звука (L<sub>WA</sub>) согласно директиве ЕС 2000/14/ЕС.

<sup>62</sup> Указанные данные об уровне шумового давления имеют погрешность (К) 1,5 дБ(А).

<sup>63</sup> Указанные данные об уровне вибрации имеют погрешность (К) 1,5 м/с<sup>2</sup>. Заявленное суммарное значение вибрации измерено в соответствии со стандартом EN 62841-4-7, приложение I, и может быть использовано для сравнения одного изделия с другим, а также для предварительной оценки воздействия.

Рекомендованные зарядные устройства для указанных аккумуляторов, ВLi	Входное напряжение, В	Частота, Гц	Мощность, Вт
QC250	220–240	50	250

---

## Декларация о соответствии

---

## Декларация соответствия требованиям ЕС

Мы, компания **Husqvarna AB**, SE-561 82  
Husqvarna, Швеция, тел.: +46-36-146500, с полной  
ответственностью заявляем, что изделие:

<b>Описание</b>	Скарификатор
<b>Марка</b>	Husqvarna
<b>Тип / Модель</b>	S 138i
<b>Идентификация</b>	Серийные номера начиная с 2023 года и далее

полностью соответствует следующим директивам и  
нормативам ЕС:

<b>Директива/Норма- тив</b>	<b>Описание</b>
2011/65/EU	"Об ограничении использования определенных опасных веществ в электрическом и электронном оборудовании"
2006/42/EC	"О механическом оборудовании"
2014/30/EU	"Об электромагнитной совместимости"
2000/14/EC	"Об излучении шума в окружающую среду"

а также требованиям следующих стандартов  
и/или технических регламентов: EN 62841-1:2015/  
A11:2022, EN IEC 62841-4-7:2022/A11:2022, EN  
ISO 12100:2010, EN 55014-1:2017/A11:2020, EN  
55014-2:2015, EN IEC 63000:2018.

Информацию по излучению шума см. в разделе  
*Технические данные на стр. 345.*

Husqvarna, 2023-12-30



Клаес Лосдал (Claes Losdal)

Директор отдела разработок/садовая техника

Husqvarna AB

Ответственный за техническую документацию

141400, Московская обл., Г. Химки, ул. Ленинградская,  
владение 39, строение 6, здание II этаж 4,  
помещение OB02\_04,  
телефон горячей линии 8-800-200-1689



---

## Obsah

---

Úvod.....	350	Riešenie problémov.....	360
Bezpečnosť.....	351	Preprava, skladovanie a likvidácia.....	361
Montáž.....	356	Technické údaje.....	362
Prevádzka.....	356	Vyhlasenie o zhode.....	364
Údržba.....	358		

---

## Úvod

---

### Popis výrobku

Elektrický odmachovač s chodiacou obsluhou. Výrobok odstraňuje z trávniku trávnu plsť a kyprí pôdu, vďaka čomu umožňuje prenikanie vzduchu a vody do trávniku. Trávna plsť sa zhromažďuje do zberného koša alebo sa po spracovaní vypúšťa naspäť do trávniku. Výrobok obsahuje 2 typy výbavy odmachovača.

### Výbava odmachovača

Informácie o výmene výbavy odmachovača nájdete v časti *Výmena výbavy odmachovača na strane 359*.

### Nožové hroty

Nožové hroty odstraňujú plevel a vertikálne prerezávajú korene trávy. Nožové hroty používajte na svahoch,

### Prehľad výrobku

(Obr. 1)

1. Rukoväť motorovej brzdy
2. Vrchná rukoväť
3. Ovládací panel
4. Poistka naštartovania
5. Spodná rukoväť
6. Zberný kôš
7. Zadný kryt
8. Kryt odmachovača
9. Kryt akumulátora
10. Otočný regulátor nastavenia pracovnej hĺbky
11. Bezpečnostný kľúč
12. Indikátor LED na vypínači
13. vypínač
14. Tlačidlo SavE
15. Indikátor LED tlačidla SavE
16. Indikátor nabitia akumulátora a tlačidlo akumulátora
17. Pružinové hroty
18. Akumulátor (príslušenstvo)
19. Nabíjačka batérií (príslušenstvo)
20. Šesťhranný kľúč
21. Návod na obsluhu

terasách alebo pri pôdach s vysokým obsahom ílu. Nožové hroty umožňujú prenikanie vody do trávniku a zabráňujú tak zhromažďovaniu vody na povrchu

(Obr. 17)

### Pružinové hroty

Pružinové hroty dôkladne odstraňujú odumretú trávu a trávnu plsť z trávniku bez poškodenia korenkov trávy.

(Obr. 18)

### Plánované použitie

Výrobok používajte na odstraňovanie trávnej plsti a machu a na kyprenie pôdy v súkromných záhradách. Výrobok nepoužívajte na iné účely.

### Symbole na výrobku

- (Obr. 2) UPOZORNENIE
- (Obr. 3) Prečítajte si pokyny.
- (Obr. 4) UPOZORNENIE – Dávajte pozor na vymršťované predmety.
- (Obr. 5) Vykážte ostatné osoby z pracovného priestoru.
- (Obr. 6) UPOZORNENIE – Ruky a nohy držte v bezpečnej vzdialenosti od hrotov.
- (Obr. 7) Pred vykonávaním údržby odpojte batériu.
- (Obr. 8) Výrobok nevystavujte dažďu.
- (Obr. 9) Tento výrobok je vybavený ochranou proti striekajúcej vode.
- (Obr. 10) Tento výrobok je v súlade s príslušnými smernicami EÚ.
- (Obr. 11) Tento výrobok je v súlade s príslušnými právnymi predpismi Spojeného kráľovstva.

(Obr. 12) Označenie týkajúce sa emisie hluku do okolia podľa smerníc a nariadení EÚ a UK a legislatívy v štáte New South Wales „Protection of the Environment Operations (Noise Control) Regulation 2017“ (Nariadenie o ochrane životného prostredia pri prevádzke (kontrola hluku) z roku 2017). Garantovaná hladina akustického výkonu produktu je uvedená v *Technické údaje na strane 362* a na štítku.

(Obr. 15) Tento výrobok recyklujte v miestnom recyklačnom zariadení určenom pre elektrické a elektronické zariadenia. (Uplatňuje sa iba na Európu)

(Obr. 16) Postup štartovania: stlačte vypínač, uvoľnite poistku naštartovania a potlačte rukoväť motorovej brzdy nadol.

(Obr. 13) Zastavte uvoľnením rukoväti motorovej brzdy.

(Obr. 14) Snimateľný kód.

---

**Poznámka:** Ostatné symboly/emblémy na výrobku odkazujú na zvláštne požiadavky certifikácie pre určité trhy.

---

## Poškodenie výrobku

Nie sme zodpovední za škody na našom výrobku v prípade:

- nesprávne vykonanej opravy výrobku,
- opravy výrobku, pri ktorej neboli použité diely od výrobcu alebo diely schválené výrobcom,
- používania príslušenstva od iného výrobcu alebo príslušenstva, ktoré nie je schválené výrobcom,
- opravy výrobku, ktoré neboli vykonané v schválenom servisnom stredisku alebo schválenými kompetentnými osobami.

---

# Bezpečnosť

---

## Bezpečnostné definície

Výstrahy, upozornenia a poznámky slúžia na zdôraznenie mimoriadne dôležitých častí návodu.



**VÝSTRAHA:** Používa sa, ak pre obsluhu alebo osoby v okolí existuje nebezpečenstvo poranenia alebo smrti v prípade nedodržania pokynov v návode.



**VAROVANIE:** Používa sa, ak hrozí nebezpečenstvo poškodenia produktu, iných materiálov alebo okolitej oblasti v prípade nedodržania pokynov v návode.

**Poznámka:** Používa sa na poskytnutie informácií nad rámec nevyhnutných informácií v danej situácii.

## Všeobecné bezpečnostné upozornenia pre výrobok



**VÝSTRAHA:** Prečítajte si všetky bezpečnostné upozornenia a pokyny a pozrite si ilustrácie a uvedené technické údaje tohto výrobku. Nedodržanie všetkých nižšie uvedených pokynov môže spôsobiť zásah elektrickým prúdom, požiar alebo ťažké zranenia.

**Uchovajte si všetky upozornenia a pokyny pre budúce použitie.** Výraz „výrobok“ v upozorneniach označuje výrobky napájané z elektrickej siete (s káblom) alebo batérie (bez kábla).

## Bezpečnosť na pracovisku

- **Udržiavajte pracovisko v čistote a dobre osvetlené.** Neporiadok alebo nedostatočné osvetlenie spôsobujú nehody.
- **Nepoužívajte výrobok vo výbušnom ovzduší, napríklad v prítomnosti horľavých kvapalín, plynov alebo prachu.** Výrobok vytvára iskry, ktoré môžu zapáliť prach alebo výpary.
- **Pri používaní výrobku zabráňte deťom a okolostojacim, aby sa zdržiavali vo vašej blízkosti.** Rušivé podnety môžu spôsobiť stratu kontroly.

## Osobná bezpečnosť

- **Pracujte opatrne, dávajte pozor a pri používaní výrobku postupujte rozumne. Výrobok nepoužívajte, keď ste unavení alebo pod vplyvom drog, alkoholu alebo liekov.** Chvilka nepozornosti pri používaní výrobkov môže zapríčiniť vážny úraz.
- **Používajte osobné ochranné pomôcky. Vždy noste ochranné prostriedky očí.** Ochranné vybavenie, ako sú napríklad masky proti prachu, bezpečnostné topánky s protišmykovou podrážkou, prilby alebo chrániče sluchu použité vo vhodných prípadoch znižujú počet osobných poranení.
- **Zabráňte neúmyselnému spusteniu zariadenia. Pred pripojením k elektrickej sieti alebo batérii overte**

zdvihnutím alebo prenesením výrobku, či je vypínač vo vypnutej polohe. Prenášanie výrobkov s prstom na vypínači alebo napájanie výrobkov, ktoré majú vypínač zapnutý, zvyšuje riziko nehôd.

- **Pred zapnutím výrobku vyberte nastavovací kľúč alebo kľúč na matice.** Kľúč nasadený na rotačnú časť výrobku môže spôsobiť poranenie osôb.
- **Nenaťahujte sa príliš ďaleko. Vždy si udržiavajte rovnováhu a správny postoj.** To umožňuje lepšie ovládanie výrobku v neočakávaných situáciách.
- **Vhodne sa oblečte. Nenoste voľné oblečenie alebo šperky.** Udržujte svoje vlasy a oblečenie mimo dosahu pohyblivých častí. Voľné oblečenie, šperky alebo dlhé vlasy sa môžu zachytiť v pohyblivých častiach.
- **AK je možné pripojiť zariadenia na odsávanie a zber prachu, overte, či sú tieto zariadenia pripojené a či sa správne používajú.** Používanie zberača prachu môže obmedziť nebezpečenstvá týkajúce sa prachu.
- **Nedovoľte, aby vás skúsenosti získané častým používaním produktov uspokojili, a ignorovali by ste bezpečnostné pravidlá pri používaní produktov.** Neopatrné konanie môže v zlomku sekundy spôsobiť vážne poranenie.

## Používanie výrobku a starostlivosť o neho

- **Netlačte na výrobok silou. Používajte správny výrobok na dané použitie.** Správny výrobok vykoná prácu lepšie a bezpečnejšie pri rýchlosti, na akú je určený.
- **Nepoužívajte výrobok, ak sa nedá zapnúť a vypnúť vypínačom.** Akýkoľvek výrobok, ktorý sa nedá ovládať vypínačom, je nebezpečný a musí sa opraviť.
- **Pred akoukoľvek úpravou, výmenou príslušenstva alebo skladovaním výrobkov odpojte zástrčku zo zdroja napájania a/alebo vyberte akumulátory (ak je to možné).** Takéto preventívne bezpečnostné opatrenia znižujú riziko náhodného spustenia výrobku.
- **Nepoužívané výrobky udržiavajte mimo dosahu detí a nedovoľte osobám, ktoré nepoznajú tento výrobok alebo tieto pokyny, aby výrobok používali.** Výrobky sú nebezpečné v rukách neskúsených používateľov.
- **Vykonávajte údržbu výrobkov a príslušenstva. Skontrolujte vychýlenie alebo ohnutie pohyblivých častí, nalomenie častí a akékoľvek iné poškodenie, ktoré môže ovplyvniť prevádzku výrobku. Ak je výrobok poškodený, dajte ho pred použitím opraviť.** Mnoho nehôd je spôsobených nedostatočne udržiavanými výrobkami.
- **Rezacie nástroje udržiavajte nabrúsené a v čistote.** Správne udržiavané rezacie nástroje s ostrými hranami sú menej náchylné na ohnutie a ľahšie sa ovládajú.
- **Používajte výrobok, príslušenstvo, hroty nástroja atď. v súlade s týmito pokynmi, pričom vezmite do úvahy pracovné podmienky a typ vykonávanej práce.** Používanie výrobku na iné ako určené účely môže vyvolať nebezpečnú situáciu.

- **Rukoväti a úchytné povrchy udržiavajte suché, čisté a neznečistené olejom a mazivom.** Šmyklavé rukoväti a úchytné povrchy neumožňujú bezpečnú manipuláciu a ovládanie výrobku v neočakávaných situáciách.

## Používanie nástroja napájaného akumulátorom a starostlivosť oň

- **Nabíjajte iba pomocou nabíjačky špecifikovanej výrobcom.** Nabíjačka, ktorá je vhodná pre jeden typ akumulátora, môže pri použití s iným akumulátorom predstavovať nebezpečenstvo požiaru.
- **Výrobok používajte iba s presne určenými akumulátormi.** Pri použití akéhokoľvek iného akumulátora môže hroziť nebezpečenstvo poranenia a požiaru.
- **Keď sa akumulátor nepoužíva, udržiajte ho mimo dosahu kovových predmetov, ako sú spony na papier, mince, kľúče, kľince, skrutky alebo iné drobné kovové predmety, ktoré môžu vytvoriť spoj medzi svorkami.** Skratovanie svoriek akumulátora môže spôsobiť popálenie alebo požiar.
- **Pri neopatrnom zaobchádzaní môže z akumulátora uniknúť tekutina. Nedotýkajte sa jej. V prípade náhodného kontaktu umyte postihnuté miesto vodou. Ak sa dostane kvapalina z akumulátora do očí, vyhladajte aj lekársku pomoc.** Kvapalina vystrekujúca z akumulátora môže spôsobiť podráždenie alebo popálenie.
- **Nepoužívajte poškodený alebo upravený akumulátor alebo nástroj.** Poškodené alebo upravené akumulátory môžu mať za následok nepredvídateľné fungovanie a spôsobiť požiar, výbuch alebo predstavovať nebezpečenstvo poranenia.
- **Akumulátor alebo nástroj nevystavujte ohňu alebo nadmerne vysokým teplotám.** Pri vystavení ohňu alebo teploty nad 130 °C (265°F) môže dôjsť k výbuchu.
- **Dodržiavajte všetky pokyny na nabíjanie a pri nabíjaní nevystavujte akumulátor alebo nástroj teplotám, ktoré sú mimo teplotného rozsahu uvedeného v pokynoch.** Pri nesprávnom nabíjaní alebo pri vonkajších teplotách mimo uvedeného rozsahu hrozí poškodenie akumulátora a zvyšuje sa nebezpečenstvo požiaru.

## Služba

- **Výrobok zverte do opravy iba kvalifikovanému odborníkovi a používajte iba originálne náhradné diely.** Tým sa zaisťuje zachovanie bezpečnosti výrobku.
- **Poškodené akumulátory nikdy neservisujte sami.** Servis akumulátorov smie vykonávať len výrobca alebo autorizovaný servis.

## Bezpečnostné upozornenia pre výrobok

- **Výrobok nepoužívajte počas nepriaznivých poveternostných podmienok, najmä ak hrozí riziko bleskov.** Zníži sa tým riziko zasiahnutia bleskom.



- **Skontrolujte, či sa v priestore, kde sa má výrobok používať, nenachádzajú voľne žijúce živočíchy.** Počas prevádzky výrobku môže dôjsť k zraneniu voľne žijúcich živočíchov.
- **Pozorne skontrolujte priestor, v ktorom sa bude výrobok používať, a odstráňte všetky kamene, konáre, káble, kosti a iné cudzie predmety.** Vymrštené predmety môžu spôsobiť poranenie osôb.
- **Pred použitím výrobku vždy vizuálne skontrolujte, či nie sú hroty a zostava hrotov opotrebované alebo poškodené.** Opotrebované alebo poškodené diely zvyšujú riziko poranenia.
- **Pravidelne kontrolujte prípadné opotrebovanie alebo poškodenie zberného koša.** Opotrebovaný alebo poškodený zberný kôš môže zvýšiť riziko poranenia osôb.
- **Neodstraňujte ochranné kryty. Ochranné kryty musia byť v dobrom prevádzkovom stave a správne osadené.** Uvoľnený, poškodený alebo nesprávne fungujúci ochranný kryt môže viesť k zraneniu osôb.
- **Všetky vstupné otvory chladiaceho vzduchu udržiavajte čisté od zvyškov.** Upchaté vstupné otvory vzduchu a zvyšky môžu viesť k prehriatiu alebo riziku požiaru.
- **Počas používania výrobku vždy noste protišmykovú a ochrannú obuv. Výrobok nepoužívajte, ak ste bosí alebo máte obuté otvorené sandále.** Zníži sa tým riziko poranenia chodidiel kontaktom s pohybujúcimi sa hrotmi.
- **Pri práci s výrobkom vždy noste dlhé nohavice.** Odhalená pokožka zvyšuje pravdepodobnosť poranenia vymrštenými predmetmi.
- **Výrobok nepoužívajte na mokrej tráve. Pri práci so zariadením kráčajte, nebežte.** Znižuje sa tým riziko pošmyknutia, spadnutia a následného zranenia.
- **Výrobok nepoužívajte na nadmerne strmých svahoch.** Znižuje sa tým riziko straty kontroly, pošmyknutia, spadnutia a následného zranenia.
- **Pri práci na svahoch vždy dbajte na to, aby ste mali pevné postavenie, vždy pracujte naprieč svahom, nikdy smerom nahor alebo nadol a buďte mimoriadne opatrní pri zmene smeru.** Znižuje sa tým riziko straty kontroly, pošmyknutia, spadnutia a následného zranenia.
- **Pri cúvaní alebo ťahaní výrobku smerom k sebe buďte mimoriadne opatrní. Vždy sledujte svoje okolie.** Znižuje sa tak riziko zakopnutia počas práce.
- **Držte výrobok za izolované uchopovacie povrchy, pretože hroty by sa mohli dostať od kontaktu so skrytou kabeľážou alebo vlastným káblom.** Hroty, ktoré sú v kontakte s vodičom pod napätím, môžu spôsobiť prechod prúdu strojom, a môžu spôsobiť osluhu úraz elektrickým prúdom.
- **Nedoťkajte sa hrotov ani iných nebezpečných pohyblivých častí, kým sú v pohybe.** Znižuje sa tým riziko poranenia pohyblivými časťami.
- **Pri odstraňovaní zaseknutého materiálu alebo čistení výrobku sa uistite, že sú vypnuté všetky**

**vypínače a akumulátor je odpojený.** Neočakávané zapnutie výrobku môže viesť k vážnemu poraneniu.

## Všeobecné bezpečnostné pokyny



**VÝSTRAHA:** Skôr než budete výrobok používať, prečítajte si nasledujúce výstrahy.

- Tento výrobok je nebezpečný, ak sa nepoužíva správne alebo ak nie ste pri jeho používaní opatrní. V prípade nedodržania bezpečnostných pokynov hrozí poranenie alebo usmrtenie.
- Tento výrobok vytvára počas prevádzky elektromagnetické pole. Toto pole môže za určitých okolností spôsobovať rušenie aktívnych alebo pasívnych implantovaných zdravotníckych pomôcok. Na zníženie rizika vážneho alebo smrteľného zranenia odporúčame, aby sa osoby s implantovanými pomôckami poradili so svojím lekárom a výrobcom pomôcky ešte pred použitím tohto výrobku.
- Vždy zachovávajte opatrnosť a riadte sa zdravým úsudkom. Ak si v určitých situáciách nie ste istí, ako máte výrobok používať, výrobok nepoužívajte a pred pokračovaním v práci sa poraďte s predajcom spoločnosti Husqvarna.
- Nezabudnite, že operátor bude zodpovedný za nehody zahŕňajúce iné osoby alebo ich majetok.
- Výrobok udržiavajte čistý. Symboly a emblémy musia byť čitateľné.
- Nikdy nedovoľte používať zariadenie deťom ani osobám, ktoré sa neoboznámili s návodom na používanie. Miestne predpisy môžu obmedzovať vek používateľa.
- Osoby so zníženými fyzickými alebo duševnými schopnosťami musia byť počas používania výrobku vždy pod dozorom. Vyžaduje sa neustála prítomnosť zodpovednej dospeléj osoby.
- Výrobok nepoužívajte, ak ste unavení, chorí alebo ste pod vplyvom alkoholu, drog alebo liekov. Vyššie uvedené prípady majú negatívny vplyv na váš zrak, ostražitosť, koordináciu a úsudok.
- Ak je výrobok poškodený alebo nefunguje správne, nepoužívajte ho.
- Výrobok žiadnym spôsobom neupravujte ani nepoužívajte, ak existuje možnosť, že bol upravený inými osobami.

## Bezpečnosť pri práci



**VÝSTRAHA:** Skôr než budete výrobok používať, prečítajte si nasledujúce výstrahy.

- Tento výrobok používajte výlučne na odstraňovanie trávnej plsti a machu z trávnik. Výrobok sa nesmie používať na iné účely.
- Používajte osobné ochranné pomôcky. V časti *Osobné ochranné prostriedky na strane 354.*

- Naučte sa, ako v prípade núdze rýchlo zastaviť motor.
- Výrobok nepoužívajte na daždi alebo vlhkých miestach. Môže to zvýšiť riziko úrazu elektrickým prúdom.
- Výrobok nepoužívajte, pokiaľ nie sú hroty a všetky kryty správne upevnené. Nesprávne pripojené hroty sa môžu uvoľniť a spôsobiť poranenia osôb.
- Uistite sa, že hroty nenarazia na predmety, ako sú napr. kamene alebo korene. Môže dôjsť k poškodeniu hrotov a ohnitiu hriadeľa motora. Ohnutá náprava spôsobuje silné vibrácie a vzniká veľké nebezpečenstvo uvoľnenia hrotov.
- Ak hroty narazia na predmet alebo ak cítite vibrácie, výrobok okamžite vypnite. Zastavte motor, otočte bezpečnostný kľúč do polohy 0 a odstráňte batériu. Počkajte, kým sa zastavia pohyblivé časti. Skontrolujte, či nie je výrobok poškodený. Dotiahnite uvoľnené časti. Opravte akékoľvek poškodenie a vymeňte poškodené diely. Opravu zverte schválenému servisnému zástupcovi.
- Keď je naštartovaný motor, rúkovať motorovej brzdy nesmie byť nikdy trvalo pripevnená k rúkaviti.
- Položte výrobok na stabilný, rovinný povrch a naštartujte ho. Uistite sa, že sa hroty nedostanú do kontaktu so zemou alebo inými predmetmi.
- Pri obsluhu vždy stojte za výrobkom.
- Pri obsluhu výrobku dávajte pozor, aby všetky kolesá dosadali na zem a rúkavť drže oboma rukami. Nepribližujte sa rukami ani chodidlami k rotujúcim hrotom.
- Pri štartovaní motora alebo počas prevádzky výrobok nenakláňajte.
- Pri ťahaní výrobku smerom dozadu buďte opatrní.
- Výrobok nikdy nedvíhajte, keď je spustený motor. Ak výrobok musíte zdvihnúť, najskôr zastavte motor, otočte bezpečnostný kľúč do polohy 0 a odstráňte batériu.
- Počas obsluhy výrobku necúvajte.
- Zastavte motor, keď je potrebné výrobok nakloniť z dôvodu prepravy alebo pred presunom cez plochy bez porastu trávy, napríklad cesty zo štrku, kameňa a asfaltu.
- Keď je zapnutý motor, s výrobkom neutekajte. Počas obsluhy výrobku vždy kráčajte.
- Pred zmenou pracovnej hĺbky zastavte motor. Nikdy nevykonávajte nastavenia so zapnutým motorom.
- Nikdy nenechávajte výrobok bez dozoru, keď je zapnutý motor. Zastavte motor, otočte bezpečnostný kľúč do polohy 0 a odstráňte batériu. Uistite sa, že sa výbava odmachovača neotáča.
- Vibrácie výrobku počas prevádzky sa môžu líšiť od deklarovanej hodnoty vibrácií v časti *Technické údaje na strane 362*. Rozdiel je spôsobený variáciami v spôsobe používania výrobku. Ak výrobok používate často alebo dlhodobo, robte pravidelné prestávky, aby ste predišli poraneniam spôsobeným vibráciami.

## Bezpečnostné pokyny pre prevádzku

### Osobné ochranné prostriedky



**VÝSTRAHA:** Skôr než budete výrobok používať, prečítajte si nasledujúce výstrahy.

- Osobné ochranné prostriedky nedokážu úplne vylúčiť riziko, ale môžu znížiť vážnosť zranenia v prípade nehody. Váš predajca vám pomôže pri výbere správnych prostriedkov.
- Noste odolné protišmykové topánky. Výrobok neobsluhujte v otvorených topánkach ani s bosými nohami.
- Noste dlhé odolné nohavice.
- Keď je to potrebné, používajte ochranné rukavice, ako napríklad pri montáži, kontrole alebo čistení rezného zariadenia.
- Odporúčame používať chrániče sluchu.

### Bezpečnostné zariadenia na výrobku



**VÝSTRAHA:** Skôr než budete výrobok používať, prečítajte si nasledujúce výstrahy.

- Výrobok nepoužívajte s bezpečnostnými zariadeniami, ktoré sú poškodené alebo nefungujú správne.
- Neodstraňujte ani neupravujte bezpečnostné zariadenia.
- Pravidelne kontrolujte bezpečnostné zariadenia. Ak sú bezpečnostné zariadenia poškodené alebo nefungujú správne, obráťte sa na servisného zástupcu Husqvarna.

### Kontrola krytov

Kryt odmachovača tlmi vibrácie vo výrobku a znižuje riziko poranenia rotujúcou výbavou odmachovača.

- Skontrolujte bočný kryt odmachovača, aby ste sa uistili, že na ňom nie sú žiadne známky poškodenia, ako sú napr. praskliny.
- Skontrolujte zadný kryt, aby ste sa uistili, že na ňom nie sú žiadne známky poškodenia, ako sú napr. praskliny.

### Rúkavť motorovej brzdy

Rúkavť motorovej brzdy slúži na zastavenie motora. Keď rúkavť motorovej brzdy uvoľníte, motor sa zastaví.

Ak chcete motorovú brzdú skontrolovať, naštartujte motor a potom uvoľníte rúkavť motorovej brzdy. Ak sa motor v priebehu 3 sekúnd nezastaví, požiadajte servisného zástupcu spoločnosti Husqvarna o nastavenie motorovej brzdy.

(Obr. 19)

## Bezpečnostný kľúč

Bezpečnostný kľúč sa nachádza pod krytom akumulátora. Bezpečnostný kľúč slúži na pripojenie akumulátora, ktorý napája motor.

- Pred vykonaním kontroly bezpečnostného kľúča naštartujte a vypnite motor.
- Ak bezpečnostný kľúč funguje správne, motor sa spustí iba vtedy, keď je kľúč otočený v polohe 1.

(Obr. 20)

## Kontrola poistky naštartovania

Skontrolujte poistku naštartovania, aby ste sa uistili, že zabraňuje prevádzke motora.

1. Potlačte páku pohonu smerom k hornej rukoväti. Poistka naštartovania zastaví pohyb.
2. Zatlacíte poistku naštartovania smerom von. (Obr. 21)
3. Uvoľníte poistku naštartovania a uistite sa, že sa vráti do svojej pôvodnej polohy.

## Bezpečnosť batérie



**VÝSTRAHA:** Skôr než budete výrobok používať, prečítajte si nasledujúce výstrahy.

- Ako napájací zdroj používajte nabíjateľné batérie Husqvarna len pre výrobky typu Husqvarna. V prípade iných zariadení nepoužívajte batérie ako zdroj napájania, aby ste zabránili riziku zranenia.
- Nepoužívajte nenabíjateľné akumulátory.
- Nebezpečenstvo zásahu elektrickým prúdom. Nepripájajte konektory batérie ku kľúčom, minciam, skrutkám ani k iným kovovým predmetom. Môže dôjsť k skratu batérie.
- Do vetracích otvorov batérie nevkladajte žiadne predmety.
- Batériu nevystavuje priamemu slnečnému žiareniu, teplu ani otvorenému ohňu. Batéria môže vybuchnúť a spôsobiť popálenie alebo poleptanie.
- Batériu nevystavuje dažďu ani vlhku.
- Batériu nevystavuje mikrovlnnému žiareniu ani vysokému tlaku.
- Nepokúšajte sa rozoberať ani rozdrviť batériu.
- V prípade úniku kvapaliny z batérie zabráňte zasiahnutiu pokožky a očí kvapalinou. V prípade kontaktu s kvapalinou umyte zasiahnutú oblasť veľkým množstvom vody a vyhľadajte lekársku pomoc.
- Batériu vo výrobku používajte iba vtedy, keď je teplota okolia v rozsahu 5 °C – 40 °C.
- Nabíjačku batérií používajte iba vtedy, keď je teplota okolia v rozsahu 5 °C – 40 °C.
- Batéria sa nenabíja, ak je jej teplota vyššia než 50 °C.

- Batériu ani nabíjačku batérií nečistite vodou. V časti *Batéria na strane 360*.
- Nepoužívajte poškodenú batériu.
- Batérie uchovávajte v bezpečnej vzdialenosti od kovových predmetov, ako sú napr. klinec, mince, šperky.

## Bezpečnosť nabíjačky batérií



**VÝSTRAHA:** Skôr než budete výrobok používať, prečítajte si nasledujúce výstrahy.

- Na nabíjanie náhradných batérií Husqvarna používajte len nabíjačku batérií QC.
- Riziko zasiahnutia elektrickým prúdom alebo skratu. Do vetracích otvorov nabíjačky nevkladajte žiadne predmety. Nabíjačku batérií sa nepokúšajte rozoberať. Konecvičky nabíjačky nikdy nepripájajte ku kovovým predmetom. Používajte schválenú elektrickú zásuvku.
- Tento výrobok vytvára počas prevádzky elektromagnetické pole. Toto pole môže za určitých okolností spôsobovať rušenie aktívnych alebo pasívnych implantovaných zdravotníckych pomôcok. Zníženie rizika podmienok, ktoré môžu viesť k vážnemu alebo aj smrteľnému poraneniu, si vyžaduje, aby sa osoby s implantovanými pomôckami poradili so svojim lekárom a výrobcom pomôcky ešte pred použitím tohto výrobku.
- Pravidelne kontrolujte, či napájací kábel nabíjačky batérií nie je poškodený a či na ňom nie sú praskliny.
- Nabíjačku batérií nedvíhajte za napájací kábel. Pri odpájaní nabíjačky batérií od sieťovej zásuvky ťahajte za zástrčku. Neťahajte za napájací kábel.
- Udržujte všetky napájacie káble a predlžovacie káble v bezpečnej vzdialenosti od vody, oleja a ostrých hrán. Ubezpečte sa, že kábel nie je privretý vo dverách, plotoch a podobne. Môže to spôsobiť, že nabíjačka bude pod napätím.
- Nabíjačku batérií nečistite vodou.
- Nabíjačku batérií smú používať deti od 8 rokov a osoby s obmedzenými fyzickými, zmyslovými alebo mentálnymi schopnosťami alebo s nedostatkom skúseností a vedomostí, pokiaľ sú pod dohľadom alebo boli poučené o bezpečnom používaní nabíjačky batérií a chápu súvisiace riziká. Deti sa nesmú s nabíjačkou batérií hrať. Deti nesmú vykonávať čistenie ani údržbu zariadenia, ak nie sú pod dozorom.
- Nenabíjateľné batérie v nabíjačke nenabíjajte.
- Nabíjačku batérií nepoužívajte v blízkosti horľavých materiálov alebo materiálov, ktoré spôsobujú koróziu. Nabíjačku batérií nezakrývajte. V prípade výskytu dymu alebo ohňa odpojte zástrčku nabíjačky batérií.
- Nepoužívajte chybnú alebo poškodenú nabíjačku batérií.

- Batériu nabíjajte len v interiéri izieb s dobrým prúdením vzduchu a mimo slnečného svetla. Batériu nenabíjajte vo vlhkom prostredí.

## Bezpečnostné pokyny pre údržbu



**VÝSTRAHA:** Skôr než budete výrobok používať, prečítajte si nasledujúce výstrahy.

- Otočte bezpečnostný kľúč do polohy 0 a vyberte akumulátor, aby ste zabránili náhodnému spusteniu počas údržby. Pred začiatkom údržby počkajte minimálne 5 sekúnd.
- Správnym vykonaním údržby zvýšite životnosť výrobku a znížite nebezpečenstvo nehôd. Vykonanie odborných opráv zverte schválenému servisnému zástupcovi. Ďalšie informácie získate od najbližšieho servisného zástupcu.
- Vykonávajte len údržbu uvedenú v tomto návode na obsluhu. Náročnejšie práce musí vykonávať schválený servisný zástupca.
- Aby ste predišli zraneniam, neodstraňujte ani neupravujte bezpečnostné zariadenia.

- Pri používaní výbavy odmachovača používajte odolné rukavice. Výbava odmachovača je veľmi ostrá a ľahko môže dôjsť k porezaniu.
- Hroty na výbave odmachovača udržiavajte ostré a čisté, aby ste dosiahli ten najlepšie a najbezpečnejší výkon.
- Nechajte výrobok pravidelne prehliadnúť servisným zástupcom a vykonať na ňom potrebné nastavenia a opravy.
- Vymeňte všetky poškodené, opotrebované alebo zlomené diely. Vždy používajte originálne náhradné diely od výrobcu. Iné náhradné diely môžu spôsobiť poškodenie výrobku a zvýšiť riziko nehôd.
- Pri výmene príslušenstva sa riadte pokynmi. Používajte iba príslušenstvo od daného výrobcu.
- Keď sa výrobok, batéria a nabíjačka batérií nepoužívajú, skladujte ich oddelene na suchom mieste uzamknuté v interiéri. Zaisťte, aby sa k výrobku, batérii ani k nabíjačke batérií nedostali deti ani neoprávnené osoby.

## Montáž

### Úvod



**VÝSTRAHA:** Pred zostavením výrobku si prečítajte kapitolu o bezpečnosti.



**VÝSTRAHA:** Neúmyselnému spusteniu počas montáže predídete otočením bezpečnostného kľúča do polohy 0, vybratím batérie a dodržaním aspoň 5-sekundovej prestávky.

### Montáž rukoväti

1. Uvoľnite spodné gombíky.
2. Posuňte gombíky smerom k spodnej časti drážok na ľavej a pravej strane výrobku. (Obr. 22)
3. Nastavte výšku rukoväti do jednej z 2 dostupných polôh.

4. Posuňte gombíky nahor smerom k rukoväti, kým sa nezastavia a nebudete počuť kliknutie. (Obr. 23)
5. Gombíky utiahnite na doraz.

### Zostavenie zberného koša

1. Pripojte rám zberného koša k vaku na trávu tak, aby pevná časť vaku bola na spodnej strane. Rukoväť rámu držte nad vakom na trávu. (Obr. 24)
2. Pripojte spodnú časť rámu zberného koša do drážky v spodnej časti zberného koša.
3. Vak na trávu pripojte k rámu zberného koša pomocou svoriek. (Obr. 25)
4. Nadvihnite zadný kryt.
5. Posuňte zberný kôš do správnej polohy. (Obr. 26)
6. Upevnite zberný kôš na horný okraj rámu. V záujme zabránenia netesnosti sa uistite, či zadný kryt pevne dosadá na zberný kôš. (Obr. 27)

## Prevádzka

### Úvod



**VÝSTRAHA:** Pred používaním výrobku si musíte prečítať kapitolu o bezpečnosti a porozumieť informáciám, ktoré sa v nej uvádzajú.

### Husqvarna Connect

Husqvarna Connect je bezplatná aplikácia pre mobilné zariadenia. Aplikácia Husqvarna Connect prináša rozšírené funkcie pre výrobok Husqvarna:

- Rozšírené informácie o výrobku.
- Informácie a podpora vzťahujúce sa na súčasť výrobku a servis.

## Ak chcete začať, použite Husqvarna Connect

1. Stiahnite si aplikáciu Husqvarna Connect do mobilného zariadenia.
2. Zaregistrujte sa v aplikácii Husqvarna Connect.
3. Ak chcete pripojiť a zaregistrovať produkt, postupujte podľa pokynov v aplikácii Husqvarna Connect.

## Nastavenie pracovnej hĺbky



**VÝSTRAHA:** V žiadnom prípade nenastavujte pracovnú hĺbku počas používania výrobku.

1. Ak chcete zväčšiť pracovnú hĺbku, stlačte a otočte otočný regulátor nastavenia proti smeru hodinových ručičiek.
2. Ak chcete zmenšiť pracovnú hĺbku, stlačte a otočte otočný regulátor nastavenia v smere hodinových ručičiek. (Obr. 28)

## Batéria



**VÝSTRAHA:** Pred používaním batérie si musíte prečítať kapitolu o bezpečnosti a porozumieť informáciám, ktoré sa v nej uvádzajú. Okrem toho si musíte prečítať návod na obsluhu batérie a nabíjačky batérií a porozumieť jeho obsahu.

Batériu a nabíjačku udržiavajte pri správnej teplote okolia.

	Teplota okolitého prostredia
Prevádzka batérie	5 °C – 40 °C
Nabíjanie batérie	5 °C – 40 °C

## Štav batérie

Na displeji sa zobrazuje zostávajúca kapacita batérie a prípadné problémy s batériou. Stlačením tlačidla indikátora batérie získate informáciu o stave nabitia batérie. Výstražný symbol na batérii sa rozsvieti, keď sa vyskytne chyba. V časti *Batéria na strane 360*.

(Obr. 29)

Svetlá LED	Štav batérie
Všetky LED svetlá svietia	Plne nabitá (76 – 100 %)
Svieti LED 1, LED 2, LED 3	Batéria je nabitá na 51 % – 75 %
Svieti LED 1, LED 2	Batéria je nabitá na 26 % – 50 %
Svieti LED 1	Batéria je nabitá na 6 % – 25 %.

Svetlá LED	Štav batérie
Bliká dióda LED 1	Batéria je nabitá na 0 % – 5 %.

## Nabíjanie batérie

Batériu nabite pred prvým použitím. Pri dodaní zákazníkovi je batéria nabitá len na 30 % kapacity.

**Poznámka:** Nabíjačka batérie musí byť pripojená k sieti s napätím a frekvenciou, ktoré sa uvádzajú na výkonovom štítku.

Batéria sa nenabíja, ak teplota batérie prekročí 50 °C. Pred začiatkom nabíjania nabíjačka batérií zníži teplotu batérie.

1. Jeden koniec napájacieho kábla nabíjačky batérií pripojte k zásuvke na nabíjačke batérií.
2. Druhý koniec napájacieho kábla nabíjačky batérií pripojte k uzemnenej sieťovej zásuvke. Indikátor LED na nabíjačke batérií raz blikne nazeleno. (Obr. 30)
3. Vložte batériu do nabíjačky batérií. Po správnom pripojení batérie k nabíjačke batérií sa na nabíjačke rozsvieti zelený indikátor. (Obr. 31)
4. Keď svietia všetky indikátory LED na batérii, batéria je plne nabitá. Batériu nabíjajte maximálne 24 hodín.
5. Pri odpájaní nabíjačky batérií od sieťovej zásuvky ťahajte za zástrčku, nie za šnúru.
6. Vyberte batériu z nabíjačky batérií.

## Zapnutie výrobku

1. Nabitý akumulátor vložte do priestoru akumulátora číslo 1 pod krytom akumulátora. Na zaistenie dlhšieho času prevádzky vložte druhý nabitý akumulátor do priestoru akumulátora číslo 2.
2. Otočte bezpečnostný kľúč do polohy 1. (Obr. 32)
3. Stojte za výrobkom.
4. Stlačte vypínač (A) na ovládacom paneli a rozsvieti sa zelený indikátor LED (B). (Obr. 33)
5. Povoľte poistku naštartovania. (Obr. 34)
6. Potlačte páku pohonu smerom k hornej rukoväti. (Obr. 35)

## Používanie funkcie SavE

Výrobok je vybavený funkciou na šetrenie energie akumulátora (SavE), ktorá mu umožní dosiahnuť dlhší prevádzkový čas.

1. Funkciu spustíte stlačením tlačidla SavE (A). Rozsvieti sa zelený indikátor LED. (Obr. 36)
2. Funkciu zastavíte opätovným stlačením tlačidla SavE. Zelený indikátor LED (B) zhasne.

## Funkcia vysokého zaťaženia

Keď výrobok kosí dlhú alebo mokrú trávu, motor automaticky zvýši otáčky. Motor sa vráti do štandardného režimu, keď už vysoké zaťaženie nie je potrebné.

## Zastavenie motora

Počas prevádzky sa môže nôž a motor dočasne zastaviť kvôli prekážkam, ako je napríklad upchatie trávou pod krytom rezacej časti. Ak k tomu dôjde a držíte stlačení rukoväť motorovej brzdy, výrobok sa automaticky znova spustí. Ak sa výrobok do 5 – 10 sekúnd znova nespustí, možno budete musieť vyčistiť priestor pod krytom rezacej časti. V časti *Čistenie výrobku na strane 359*.



**VÝSTRAHA:** Ak sa motor zastaví, výrobok sa za 5 – 10 sekúnd pokúsi automaticky znova spustiť. Pred kontrolou krytu rezacej časti počkajte minimálne 15 sekúnd.



**VÝSTRAHA:** Pred kontrolou krytu rezacej časti uvoľnite rukoväť motorovej brzdy, otočte bezpečnostný kľúč do polohy

0, vyberte akumulátor a počkajte minimálne 5 sekúnd. V prípade odstránenia prekážky a náhodného spustenia výrobku hrozí nebezpečenstvo poranenia.

## Zastavenie výrobku

Výrobok sa automaticky zastaví, ak sa nepoužíva aspoň 10 minút. Nikdy nenechávajte výrobok bez dozoru, keď je zapnutý motor. Zastavte motor, otočte bezpečnostný kľúč do polohy 0 a odstráňte batériu. Uistite sa, že sa výbava odmachovača neatáča.

1. Motor zastavíte uvoľnením brzdovej rukoväti motora. (Obr. 37)
2. Stlačte vypínač (A) na ovládacom paneli a zelený indikátor LED (B) zhasne. (Obr. 33)
3. Otvorte kryt akumulátora a otočte bezpečnostný kľúč do polohy 0. (Obr. 38)
4. Akumulátor vyberte súčasným zatlačením 2 uvoľňovacích tlačidiel a potiahnutím akumulátora smerom von. (Obr. 39)
5. Ak má akumulátor nízku kapacitu, nabite ho. Ďalšie informácie sú uvedené v časti *Nabíjanie batérie na strane 357*.

## Údržba

### Úvod



**VÝSTRAHA:** Pred vykonávaním akejkoľvek údržby si musíte prečítať kapitolu o bezpečnosti a porozumieť jej.

Údržba a opravné práce na výrobku si vyžadujú špeciálne školenie. Zaručujeme dostupnosť profesionálnych opravných prác a údržby. Ak váš predajca nie je servisný zástupca, kontaktujte predajcu, ktorý vám poskytne informácie o najbližšom servisnom zástupcovi.

Podrobnejšie informácie nájdete na stránke [www.husqvarna.com](http://www.husqvarna.com).

### Plán údržby

Intervaly údržby sú vypočítané na základe každodenného používania výrobku. Ak sa výrobok nepoužíva každý deň, tieto intervaly sa menia.

Informácie o prvkoch údržby označených symbolom „\*\*“ nájdete v časti *Bezpečnostné zariadenia na výrobku na strane 354*.

S 138l	Pri každom použití	Mesačne	Každú sezónu
Vykonajte všeobecnú kontrolu.	X		
Vyčistite výrobok.	X		
Skontrolujte výbavu odmachovača.	X		
Skontrolujte, či sú bezpečnostné zariadenia na výrobku nepoškodené. *	X		
Skontrolujte kryty. *	X		
Skontrolujte rukoväť motorovej brzdy. *	X		
Skontrolujte poisťku naštartovania. *	X		
Skontrolujte správnosť funkcie vypínača a zistite, či nemá poruchu.	X		

S 138i	Pri každom použití	Mesačne	Každú sezónu
Skontrolujte, či nie je poškodená batéria.	X		
Skontrolujte nabitie batérie.	X		
Skontrolujte, či uvoľňovacie tlačidlá na akumulátore fungujú správne a riadne zaistia akumulátor vo výrobku.	X		
Skontrolujte, či nabíjačka batérií nie je poškodená, a presvedčte sa, či funguje správne.		X	
Skontrolujte prepojenia medzi batériou a výrobkom. Skontrolujte aj prepojenie medzi akumulátorom a nabíjačkou akumulátorov.			X

## Vykonanie všeobecnej kontroly

- Uistite sa, že sú dotiahnuté matice a skrutky na výrobku.
- Skontrolujte, či káble výrobku nie sú v polohe, v ktorej by sa mohli poškodiť.

## Čistenie výrobku

- Plastové diely čistite čistou a suchou handričkou.
- Výrobok neumývajte vodou. Voda môže preniknúť do batérie alebo motora a spôsobiť skrat alebo poškodenie výrobku.
- Na čistenie výrobku nepoužívajte vysokotlakový čistič.
- Nikdy nelejte vodu priamo na motor.
- Pomocou kefy odstráňte listy, trávu a nečistoty.

## Čistenie batérie a nabíjačky batérií



**VÝSTRAHA:** Batériu ani nabíjačku batérií nečistite vodou.



**VÝSTRAHA:** Na čistenie akumulátora nepoužívajte žiadne chemické látky.

- Pred vloženíím batérie do nabíjačky batérií skontrolujte, či sú batéria a nabíjačka batérií čisté a suché.
- Svorky batérie čistite stlačeným vzduchom alebo mäkkou a suchou handričkou.
- Povrch batérie a nabíjačky batérií čistite mäkkou a suchou handričkou.

## Kontrola výbavy odmachovača



**VÝSTRAHA:** Aby ste zabránili náhodnému spusteniu, otočte bezpečnostný kľúč do polohy 0, vyberte akumulátor a počkajte minimálne 5 sekúnd.



**VÝSTRAHA:** Pri vykonávaní údržby výbavy odmachovača používajte ochranné rukavice. Hroty výbavy odmachovača sú veľmi ostré a ľahko môže dôjsť k porezaniu.

- Skontrolujte, či sa na výbave odmachovača nenachádzajú známky poškodenia alebo praskliny. Poškodenú výbavu odmachovača vždy vymeňte.

## Výmena výbavy odmachovača



**VÝSTRAHA:** Pri vykonávaní údržby výbavy odmachovača používajte ochranné rukavice. Výbava odmachovača je veľmi ostrá a ľahko môže dôjsť k porezaniu

1. Položte výrobok pravou stranou nadol. (Obr. 40)
2. Odskrutkujte 2 skrutky (A) a zložte kryt odmachovača (B). Potlačte výbavu odmachovača (C) smerom nahor a von, aby ste ju vybrali. (Obr. 41)
3. Zatláčte novú výbavu odmachovača (C) do drážky a nadol do otvoru. Pripevnite kryt odmachovača (B) a priskrutkujte 2 skrutky (A). (Obr. 42)

## Riešenie problémov

### Batéria

Indikátory LED na batérii	Príčina	Riešenie
Bliká zelený indikátor LED.	Napätie batérie je nízke.	Nabite batériu. V časti <i>Nabíjanie batérie na strane 357</i> .
Bliká indikátor LED chyby batérie.	Batéria je príliš studená alebo príliš horúca na použitie.	Nechajte batériu vychladnúť alebo ju preneste dovnútra, aby sa zohriala. Keď má batéria správnu teplotu, môžete ju znova použiť. Batériu vo výrobku používajte iba vtedy, keď je teplota okolitého prostredia 5 °C – 40 °C.
	Batéria je vybitá.	Nabite batériu. V časti <i>Nabíjanie batérie na strane 357</i> .
Rozsvieti sa indikátor LED chyby batérie.	Vyskytla sa trvalá chyba batérie.	Obráťte sa na svojho servisného predajcu Husqvarna.

### Nabíjačka batérie

Indikátor LED na nabíjačke batérií	Príčina	Riešenie
Bliká alebo sa rozsvieti indikátor LED, ktorý signalizuje poruchu.	Nabíjačka batérie je príliš studená alebo príliš horúca na použitie.	Nechajte nabíjačku batérie vychladnúť alebo ju preneste dovnútra, aby sa zohriala. Keď má nabíjačka batérie správnu teplotu, môžete ju znova použiť. Nabíjačku batérií používajte keď je teplota okolitého prostredia 5 °C – 40 °C.
	Iné chyby.	Obráťte sa na svojho servisného predajcu Husqvarna.



## Ovládací panel

Chyba	Chybový kód (počet bliknutí)	Možné poruchy	Možná akcia
Bliká dióda LED signalizujúca poruchu	3	Motor je preťažený.	Zmenšite pracovnú hĺbku. V časti <i>Nastavenie pracovnej hĺbky na strane 357</i> . Ak dióda LED signalizujúca poruchu bliká aj naďalej, výbava odmachovača je zablokovaná. Aby ste zabránili náhodnému spusteniu, otočte bezpečnostný kľúč do polohy 0, vyberte akumulátor a počkajte minimálne 5 sekúnd. Skontrolujte, či sa výbava odmachovača môže voľne otáčať. Ak problém pretrváva, obráťte sa na autorizovaného servisného zástupcu.
	5	Otáčky motora výrazne klesajú a motor sa zastavuje.	
	9	Riadenie motora je príliš horúce.	Zastavte motor a počkajte, kým nevychladne.
	7	Chyba batérie alebo žiaden signál z batérie.	Vložte batériu do výrobku správne a skontrolujte konektor batérie. Ak bliká dióda LED signalizujúca poruchu na akumulátore, pozrite si časť <i>Batéria na strane 360</i> .
		Kapacita batérie je nízka.	Nabite batériu. V časti <i>Nabíjanie batérie na strane 357</i> .
Výrobok sa zastaví	6	Kapacita batérie je nízka.	Nabite batériu. V časti <i>Nabíjanie batérie na strane 357</i> .
	Žiadne blikanie.	Chyba konektora akumulátora.	Skontrolujte konektor akumulátora.
Ďalšie chyby	Ak sa vyskytnú ďalšie chyby, otočte bezpečnostný kľúč do polohy 0, vyberte akumulátor a obráťte sa na autorizovaného servisného zástupcu.		

## Preprava, skladovanie a likvidácia

### Úvod



**VÝSTRAHA:** Neúmyselnému spusteniu počas prepravy a skladovania predídete otočením bezpečnostného kľúča do polohy 0, vybratím akumulátora a dodržaním aspoň 5-sekundovej prestávky.

### Preprava

- Právne predpisy upravujúce nebezpečný tovar sa vzťahujú aj na používané lítium-iónové batérie.
- Pri obchodnej preprave treba dodržiavať špeciálne požiadavky týkajúce sa balenia a štítkov.
- Počas prípravy výrobku na prepravu zaistíte, aby ste spĺňali právne predpisy týkajúce sa nebezpečných materiálov. Na túto situáciu sa môžu vzťahovať aj miestne nariadenia.
- Pred prepravou vždy vyberte batériu.

- Konektory batérie prelepte páskou a zaistíte, aby sa batéria počas prepravy nehýbala.
- Počas prepravy výrobok zaistíte.

### Skladovanie

- Pred uložením vždy odstráňte batérie.
- Pred uložením nechajte výrobok vychladnúť.
- Aby ste predišli nehodám, ubezpečte sa, že batéria nie je počas skladovania pripojená k výrobku.
- Nabíjačku batérie skladujte v uzavretých a suchých priestoroch.
- Batériu a nabíjačku batérie skladujte v uzavretých a suchých priestoroch, kde nie sú vystavené vlhkosti ani mrazu.
- Počas skladovania odpojte batériu od nabíjačky.
- Neskladujte batériu na mieste s výskytom statickej elektriny. Batériu nevkladajte do kovovej skrinky.

- Výrobok skladujte pri teplote okolitého prostredia v rozsahu -10°C až 40°C.
- Batériu skladujte v priestoroch, kde sa teplota pohybuje od 5 °C do 25 °C, a nikdy ju nevystavujte priamemu slnečnému svetlu.
- Nabíjačku batérie skladujte v priestoroch, kde sa teplota pohybuje od 5 °C do 45 °C, a nikdy ju nevystavujte priamemu slnečnému svetlu.
- Pred dlhodobým skladovaním sa uistite, že batéria je nabitá na 30 – 50 % kapacity.
- Výrobok, batériu a nabíjačku batérie skladujte v uzamknutom priestore mimo dosahu detí a neoprávnených osôb.
- Vyčistite výrobok a uistite sa, že zberný kôš je prázdny.
- Vykonávajte údržbu uvedenú v tomto návode na obsluhu. V časti *Plán údržby na strane 358*.
- Pred dlhodobým uskladnením vykonajte kompletný servis.

## Likvidácia

Symbyly na výrobku alebo na obale výrobku označujú, že sa tento výrobok nesmie likvidovať ako domáci odpad. Musí sa odovzdať do príslušnej recyklačnej stanice pre recykláciu elektrických a elektronických zariadení.

Zaistením správnej likvidácie tohto výrobku pomôžete zabrániť potenciálnemu negatívemu dopadu na životné prostredie a zdravie ľudí, ktorý by inak mohol byť dôsledkom nesprávnej likvidácie tohto výrobku. Podrobnejšie informácie o recyklácii tohto výrobku získate na mestskom úrade, od služby zaisťujúcej spracovanie domáceho odpadu alebo v predajni, kde ste výrobok zakúpili.

(Obr. 43)

## Technické údaje

### Technické údaje

<b>S 138i</b>	
<b>Motor</b>	
Typ motora	BLDC (bezkontaktný) 36V
Otáčky nadstavca – SavE, ot./min.	3000
Otáčky nadstavca – menovité, ot./min.	3200
Výstupný výkon motora – max., kW	1,28
Výstupný výkon motora – menovitý, kW	0,9
<b>Hmotnosť</b>	
Hmotnosť bez obalu (bez batérie), kg	19,5
Hmotnosť s košom (vrátane 1x BLi30), kg	23
<b>Batéria</b>	
Typ batérie	Rad batérií Husqvarna
<b>Prevádzková doba batérie</b>	
Prevádzková doba akumulátora, min, (prevádzka na-prázdno) s aktivovanou funkciou SavE, s batériou 7,5 Ah Husqvarna (BLi30).	195
Prevádzková doba akumulátora, min, (prevádzka na-prázdno) s aktivovaným štandardným režimom, s 7,5 Ah batériou Husqvarna (BLi30).	175
<b>Emisie hluku<sup>64</sup></b>	
Nameraná hladina akustického výkonu, dB (A)	89

<sup>64</sup> Hladina hluku meraná ako akustický tlak ( $L_{WA}$ ) v súlade s európskou smernicou 2000/14/ES.

<b>S 138i</b>	
Zaručená úroveň hlučnosti L <sub>WA</sub> dB(A)	91
<b>Úrovne hlučnosti</b> <sup>65</sup>	
Hladina akustického tlaku pri uchu obsluhy, dB(A)	75
<b>Úrovne vibrácií</b> <sup>66</sup>	
Rukoväť, m/s <sup>2</sup>	5,5
<b>Prevádzka</b>	
Pracovná hĺbka max./min., mm	-8/+5
Pracovná šírka, cm	37,5
Nadstavec s nožovými hrotmi	5973510-01
Nadstavec s pružinovými hrotmi	5973509-01
Kapacita zberného koša, litre	45

Schválené batérie	Typ	Kapacita batérie, Ah	Napätie, V	Hmotnosť, kg (lb)
BLi30	Lítium-iónová	7,5	36	4,2/1,9
40-B140	Lítium-iónová	4,0	36	2,6/1,2

Schválené nabíjačky pre uvedené batérie, BLi	Vstupné napätie, V	Frekvencia, Hz	Výkon, W
40-C80	100–240	50–60	68,8
QC250	220 – 240	50	250

<sup>65</sup> Uvádzané údaje o hladine akustického tlaku majú faktor neistoty (K) 1,5 dB (A).

<sup>66</sup> Uvádzané údaje týkajúce sa hladiny vibrácií majú faktor neistoty (K) 1,5 m/s<sup>2</sup>. Deklarovaná celková hodnota vibrácií bola meraná v súlade s Prílohou 1 normy EN 62841-4-7 a môže sa použiť na porovnanie jedného stroja s iným a na predbežné posúdenie expozície.

---

## Vyhlásenie o zhode

---

## Vyhlasenie o zhode EÚ

My, spoločnosť **Husqvarna AB**, SE-561 82 Huskvarna, Švédsko, tel.: +46-36-146500, vyhlasujeme s plnou zodpovednosťou, že výrobok:

<b>Popis</b>	Zdrsňovač
<b>Značka</b>	Husqvarna
<b>Typ/model</b>	S 138i
<b>Identifikácia</b>	Výrobné čísla od roku 2023 a novšie

plne spĺňa nasledujúce smernice a nariadenia EÚ:

<b>Smernice/Nariadenia</b>	<b>Popis</b>
2011/65/EÚ	„o obmedzení používania určitých nebezpečných látok v elektrických a elektronických zariadeniach“
2006/42/ES	„o strojových zariadeniach“
2014/30/EÚ	„o elektromagnetickej kompatibilite“
2000/14/ES	„týkajúca sa emisie hluku v prostredí pochádzajúceho zo zariadení používaných vo voľnom priestranstve“

a že sa pri ňom uplatňujú nasledujúce normy a technické špecifikácie: EN 62841-1:2015/A11:2022, EN IEC 62841-4-7:2022/A11:2022, EN ISO 12100:2010, EN 55014-1:2017/A11:2020, EN 55014-2:2015, EN IEC 63000:2018.

Informácie týkajúce sa emisií hluku nájdete v časti *Technické údaje na strane 362*.

Huskvarna, 2023-12-30



Claes Losdal

Manažér vývoja/Produkty pre záhradu

Husqvarna AB

Zodpovedný za technickú dokumentáciu



---

# VSEBINA

---

Uvod.....	366	Odpravljanje težav.....	375
Varnost.....	367	Transport skladiščenje in odstranitev.....	376
Montaža.....	372	Tehnični podatki.....	377
Delovanje.....	372	Izjava o skladnosti.....	380
Vzdrževanje.....	374		

---

## Uvod

---

### Opis izdelka

Izdelek je potisni električni prezračevalnik. Namenjen je odstranjevanju slame s trave in zrahlja zemljo, da postane bolj prepustna za vodo in zrak. Slama se zbira v zbiralniku za travo ali pa se vrača na travo. Izdelek ima 2 vrsti opreme za prezračevanje

### Oprema za prezračevanje

Informacije o zamenjavi opreme za prezračevanje so vam na voljo v *Zamenjava opreme za prezračevanje na strani 375*.

### Zobje rezila

Zobje rezila odstranjujejo travo in režejo travne korenine v navpični smeri. Zobe rezila uporabljajte na naklonih,

### Pregled izdelka

(Sl. 1)

1. Motorna zavorna ročica
2. Zgornji ročaj
3. Kontrolna plošča
4. Blokada vžiga
5. Spodnji ročaj
6. Zbiralnik za travo
7. Zadnji pokrov
8. Pokrov prezračevalnika
9. Pokrov baterije
10. Gumb za nastavitve globine obdelave
11. Varnostni ključ
12. Indikator LED za vklop/izklop
13. Gumb ON/OFF
14. Gumb SavE
15. Indikator LED SavE
16. Indikator napolnjenosti baterije in gumb baterije
17. Vzmetni zobje
18. Baterija (dodatna oprema)
19. Baterijski polnilnik (dodatna oprema)
20. Ključ inbus
21. Navodila za uporabo

terasah in pri zemlji z visoko vsebnostjo gline. Zobje rezila olajšajo pronicanje vode v travo in preprečujejo nastajanje lužic na površju

(Sl. 17)

### Vzmetni zobje

Vzmetni zobje nežno odstranjujejo odmrlo travo in seno s trave, ne da bi pri tem poškodovali travne korenine.

(Sl. 18)

### Namen uporabe

Izdelek uporabljajte za odstranjevanje slame in mahu ter za rahljanje zemlje v zasebnih vrtovih. Izdelka ne uporabljajte za druga opravila.

### Simboli na izdelku

- (Sl. 2) OPOZORILO
- (Sl. 3) Preberite navodila.
- (Sl. 4) OPOZORILO – Pazite na leteče predmete.
- (Sl. 5) Osebe naj se zadržujejo na varni razdalji.
- (Sl. 6) OPOZORILO – Z rokami in nogami ne segajte v območje zob.
- (Sl. 7) Pred vzdrževanjem odklopite baterijo.
- (Sl. 8) Izdelek ne sme biti izpostavljen dežju.
- (Sl. 9) Izdelek je zaščiten pred pljuski vode.
- (Sl. 10) Izdelek je v skladu z veljavnimi predpisi CE.
- (Sl. 11) Izdelek je v skladu z veljavnimi direktivami ZK.

- (Sl. 12) Emisija hrupa v okolje je skladna z direktivami in uredbami EU, ZK ter zakonodajo Novega južnega Walesa, in sicer z direktivo "Zaščita okolja pri delu (nadzor hrupa) iz 2017". Zajamčena raven zvočne moči izdelka je navedena na in v *Tehnični podatki na strani 377* in na oznaki.
- (Sl. 15) Izdelek je treba oddati v zbirnem centru za reciklažo električne in elektronske opreme. (Velja samo za Evropo)
- (Sl. 16) Zagonski postopek: pritisnite gumb za VKLOP/IZKLOP, sprostite blokado vžiga, in ročico zavore motorja potisnite navzdol.
- (Sl. 13) Za zaustavitev sprostite ročico zavore motorja.
- (Sl. 14) Bralna koda.

**Opomba:** Ostali simboli in oznake na izdelku se nanašajo na zahteve za certifikacijo, ki veljajo za nekatere trge.

## Škoda izdelka

Za škodo na izdelku ne odgovarjamo, če:

- Izdelek ni pravilno popravljen.
- Izdelek je popravljen z deli, ki jih ni izdelal ali odobril proizvajalec.
- Na izdelku je nameščena dodatna oprema, ki je ni izdelal ali odobril proizvajalec.
- Izdelek ni bil popravljen v pooblaščenem servisnem centru ali pri pooblaščenem organu.

## Varnost

### Varnostne definicije

Opozorila, svarila in opombe opozarjajo na posebej pomembne dele priročnika.



**OPOZORILO:** Se uporabi, če obstaja nevarnost telesne poškodbe ali smrti uporabnika ali opazovalcev ob neupoštevanju navodil v tem priročniku.



**POZOR:** Se uporabi, če obstaja nevarnost poškodbe izdelka, drugih materialov ali okolice ob neupoštevanju navodil v tem priročniku.

**Opomba:** Se uporabi za podajanje podrobnejših informacij, potrebnih v dani situaciji.

### Splošna varnostna opozorila za izdelek



**OPOZORILO:** Preberite vsa varnostna opozorila, navodila, slike in specifikacije, dobavljene s tem izdelkom. Neupoštevanje vseh spodaj navedenih navodil lahko povzroči električni udar, požar in/ali težko telesno poškodbo.

**Shranite vsa opozorila in navodila za bodočo uporabo.** Izraz »izdelek« v opozorilih se nanaša na (ožičen) izdelek na omrežni pogon ali (brežžičen) izdelek na akumulatorski pogon.

### Varnost delovnega področja

- **Poskrbite za čistočo in dobro osvetlitev delovnega področja.** Prenatrpani ali mračni prostori kar kličejo nesrečo.
- **Izdelka ne uporabljajte v eksplozivnem okolju, na primer v bližini vnetljivih tekočin, plinov ali prahu.** Izdelek sproža iskre, ki lahko vžgejo prah ali hlape.
- **Ne dovolite, da bi bili med uporabo izdelka prisotni otroci ali opazovalci.** Odvratanje pozornosti lahko povzroči izgubo nadzora.

### Osebna zaščita

- **Med uporabo izdelka bodite pozorni, pazite na svoja dejanja in ravnajte razumno. Ne uporabljajte izdelka, ko ste utrujeni oziroma pod vplivom drog, alkohola ali zdravil.** Trenutek nepozornosti med uporabo izdelka lahko povzroči hudo telesno poškodbo.
- **Uporabljajte osebno zaščitno opremo. Vedno uporabljajte zaščito za oči.** Zaščitna oprema, na primer prašna maska, čevlji z nedrsečimi podplatji, čelada ali zaščita za sluh, uporabljena v pravih okoliščinah, zmanjšuje nevarnost osebnih poškodb.
- **Izogibajte se neželenemu zagonu. Preden izdelek priključite na omrežje ali akumulator, ga vzamete v roke ali ga prenašate, se prepričajte, da je stikalo v položaju za izklop.** Prenašanje izdelka s prstom na stikalu ali priključek izdelka z vklopljenim stikalom lahko povzroči nesrečo.
- **Preden izdelek vklopíte, odstranite ključ za nastavitve ali izvijač.** Če ostane ključ na vrtečem delu izdelka, lahko povzroči telesne poškodbe.
- **Ne hodite predaleč. Vedno zanesljivo stopajte in pazite na ravnotežje.** To vam omogoča boljši nadzor nad izdelkom ob nepričakovanih dogodkih.

- **Primerno se oblecite. Ne nosite ohlapnih oblačil in nakita. Z lasmi in oblačili ne segajte v območje gibljivih delov.** Ohlapne obleke, nakit ali dolgi lasje se lahko zapletejo v premične dele.
- **Če so naprave opremljene s priključkom za odvajanje in zbiranje prahu, mora biti ta zaseden in pravilno uporabljen.** Zbiranje prahu lahko zmanjša nevarnost zaradi vdihavanja tega.
- **Kljub morebitni pogosti uporabi izdelka bodite previdni in upoštevajte varnostna opozorila za izdelek.** Neprimerna uporaba lahko v trenutku povzroči hudo telesno poškodbo.
- **Ko baterije ne uporabljate, ne sme priti v stik z drugimi kovinskimi predmeti, kot so sponke za papir, kovanci, ključji, žebelji, vijaki ali drugi majhni kovinski predmeti, ki lahko vzpostavijo povezavo med dvema poloma.** Kratek stik med poloma baterije lahko povzroči opekline ali požar.
- **Ob nepravilni in grobi uporabi lahko iz baterije izteka tekočina; izogibajte se stiku s tekočino. Če se tekočine nehote dotaknete, sperite roke z vodo. Če pride tekočina v stik z očmi, poiščite zdravniško pomoč.** Tekočina, ki izteka iz akumulatorja, lahko povzroči draženje ali opekline.
- **Ne uporabljajte poškodovanega ali spremenjenega baterijskega paketa ali orodja.** Poškodovane ali predelane baterije se lahko obnašajo nepredvidljivo in lahko posledično zagorijo, eksplodirajo ali predstavljajo nevarnost poškodb.
- **Baterijskega paketa ali orodja ne izpostavljajte ognju ali previsokim temperaturam.** Izpostavljenost ognju ali temperaturam nad 130 °C (265 °F) lahko povzroči eksplozijo.
- **Upoštevajte vsa navodila za polnjenje in ne polnite baterijskega paketa ali orodja pri temperaturah zunaj temperaturnega območja, navedenega v navodilih.** Neustrezna zamenjava ali temperature zunaj dovoljenega območja lahko povzročijo poškodbe baterije in povečajo nevarnost požara.

## Uporaba in nega izdelka

- **Ne preobremenjujte izdelka. Pri delu uporabljajte ustrezen izdelek.** Pravi izdelek bo delo opravil bolje in varneje, če deluje pri hitrosti, za katero je bil zasnovan.
- **Izdelka ne uporabljajte, če stikalo za vklop/izklop ne deluje.** Izdelek, ki ga ni mogoče upravljati s stikalom, je nevaren in ga je treba popraviti.
- **Pred izvajanjem nastavitve, menjavo priključkov ali shranjevanjem izdelka izvlecite vtič iz omrežne vtičnice in/ali odstranite baterijo iz izdelka, če je to mogoče.** Tak preventivni ukrep pomaga zmanjšati nevarnost neželenega vklopa izdelka.
- **Izdelek, ki ga ne potrebujete, shranite zunaj dosega otrok in ne dovolite, da bi ga uporabljale osebe, ki ne poznajo izdelka ali teh navodil.** Izdelek je v rokah nepoučenih uporabnikov nevaren.
- **Vzdržujte izdelek in dodatno opremo. Preverite poravnavo ali zatikanje gibljivih delov. Prepričajte se, da noben del ni poškodovan, in preverite vsa druga stanja, ki bi lahko vplivala na delovanje izdelka. Če je izdelek poškodovan, ga pred uporabo odnesite v popravilo.** Veliko nesreč povzročijo slabo vzdrževani izdelki.
- **Rezila naj bodo vedno ostra in čista.** Pravilno vzdrževana rezila z ostrimi rezalnimi robovi se manj zatikajo in jih je lažje kontrolirati.
- **Izdelek, dodatno opremo, rezalne ploščice ipd. uporabljajte skladno s temi navodili ter upoštevajte delovne pogoje in delo, ki ga boste opravljali.** Uporaba izdelka za opravila, za katera ta izdelek ni namenjen, je lahko nevarna.
- **Ročaji in prijemalne površine naj bodo suhi, čisti in brez ostankov olja in masti.** Če so ročaji in prijemalne površine spolzki, ne omogočajo varne uporabe in upravljanja izdelka v nepričakovanih razmerah.

## Uporaba in nega baterije

- **Baterijo polnite le s polnilnikom, ki ga določi proizvajalec.** Polnilnik, ki je primeren za eno vrsto baterij, lahko poveča nevarnost požara pri drugih baterijah.
- **Izdelke uporabljajte le s točno določenimi baterijami.** Če uporabite druge baterije, se lahko poveča nevarnost poškodb in požara.

## Servis

- **Popravila izdelka sme izvajati usposobljen serviser, pri tem pa mora uporabljati originalne nadomestne dele.** S tem zagotovite ohranitev kakovosti in varnosti izdelka.
- **Ne servisirajte poškodovanih baterijskih enot.** Baterijo lahko servisirajo samo pooblaščen serviserji in proizvajalec.

## Varnostna opozorila za izdelek

- **Izdelka ne uporabljajte v slabem vremenu, zlasti ko obstaja nevarnost bliskanja.** S tem zmanjšate nevarnost udara strele.
- **Prepričajte se, da na območju, na katerem nameravate uporabiti izdelek, ni prostoživečih živali.** Izdelek lahko med delovanjem poškoduje prostoživeče živali.
- **Skrbno pregledjte območje, na katerem boste uporabljali izdelek, ter odstranite vse kamne, veje, kable, kosti in druge predmete.** Zaradi izmeta predmetov lahko pride do telesnih poškodb.
- **Pred uporabo izdelka se vedno vizualno prepričajte, da rezilo in sklop rezila nista obrabljena ali poškodovana.** Obrabljeni ali poškodovani deli povečajo nevarnost telesnih poškodb.
- **Pogosto preverjajte, ali je zbiralnik za travo obrabljen ali dotrajan.** Obrabljen ali poškodovan zbiralnik za travo lahko poveča tveganje za telesne poškodbe.
- **Ščitniki naj ostanejo na mestu. Ščitniki morajo biti v delujočem stanju in pravilno nameščeni.** Razrahljan, poškodovan ali nedelujoč ščitnik lahko povzroči telesne poškodbe.



- **Dovodi hladilnega zraka morajo biti prosti.** Zamašeni dovodi za zrak in umazanija lahko povzročijo pregrevanje ali nevarnost požara.
- **Med uporabo izdelka vedno nosite nedrsečo zaščitno obutev. Izdelka ne uporabljajte bosih ali v sandalih.** S tem zmanjšate možnost poškodb stopal zaradi stika s premikajočim se zobmi.
- **Med uporabo izdelka obvezno nosite dolge hlače.** Izpostavljena koža poveča verjetnost poškodb zaradi letječih predmetov.
- **Izdelka ne uporabljajte na mokri travi. Hodite, nikoli ne tecite.** S tem zmanjšate tveganje zdrsa in padca, ki lahko povzroči telesne poškodbe.
- **Izdelka ne uporabljajte na strminah z izjemno velikim naklonom.** S tem zmanjšate tveganje izgube nadzora, zdrsa in padca, ki lahko povzroči telesne poškodbe.
- **Pri delu na strminah se vedno prepričajte, da stojite na stabilni podlagi, vedno delajte v vodoravni smeri, nikoli navzgor ali navzdol, in bodite izjemno previdni pri spreminjanju smeri.** S tem zmanjšate tveganje izgube nadzora, zdrsa in padca, ki lahko povzroči telesne poškodbe.
- **Pri obračanju ali vleki izdelka proti sebi bodite izjemno previdni. Pazite na okolico.** Tako zmanjšate tveganje spotikanja med uporabo kosilnice.
- **Izdelek držite za izolirane oprijemalne površine, saj se lahko z zobmi rezila dotaknete skrite napeljave ali kabla izdelka.** Če se zobje rezila dotaknejo kabla pod napetostjo, lahko pride do "živega" izpostavljenega kovinskega dela električnega orodja in lahko povzroči električni udar upravljavca.
- **Zob rezila in drugih nevarnih gibljivih delov se ne dotikajte, kadar se premikajo.** Tako zmanjšate tveganje telesnih poškodb zaradi gibljivih delov.
- **Pri odstranjevanju zagozdenega materiala ali čiščenju izdelka se prepričajte, da so vsa vklopna stikala izključena in da je akumulatorska enota odklopljena.** Nepričakovano delovanje izdelka lahko povzroči hude telesne poškodbe.

## Splošna varnostna navodila



**OPOZORILO:** Pred uporabo izdelka preberite navodila v povezavi z opozorili v nadaljevanju.

- Ta izdelek je lahko nevaren, če ga ne uporabljate pravilno ali če niste previdni. Če ne upoštevate varnostnih navodil, lahko nastopijo poškodbe ali celo smrt.
- Izdelek med delovanjem ustvarja elektromagnetno polje. To polje lahko v nekaterih pogojih interferira z aktivnimi ali pasivnimi medicinskimi vsadki. Emisije hrupa za oznako okolja v skladu z EU (vključno z zakonodajo avstralske zvezne države New South Wales) ter direktivami in uredbami Združenega kraljestva.
- Vedno bodite previdni in ravnajte razumno. Če niste prepričani, kako upravljati ta izdelek v določeni situaciji, prenehajte z delom in se pogovorite s prodajalcem Husqvarna.
- Ne pozabite, da je uporabnik odgovoren za nesreče, ki jih povzroči drugim ljudem ali njihovi lastnini.
- Izdelek redno čistite. Pozorno preberite znake in nalepke.
- Naprave ne smejo uporabljati otroci ali osebe, ki niso seznanjene z navodili. Lokalni predpisi lahko omejujejo starost uporabnika.
- Če izdelek uporabljajo osebe z zmanjšanimi fizičnimi ali intelektualnimi sposobnostmi, jih nenehno nadzorujte. Vedno mora biti prisotna odgovorna odrasla oseba.
- Izdelka ne uporabljajte, ko ste utrujeni, bolni, ali pod vplivom alkohola, drog ali zdravil. To negativno vpliva na vaš vid, pozornost, koordinacijo in presojo.
- Če izdelek ne deluje pravilno ali je okvarjen, ga ne uporabljajte.
- Izdelka ne spreminjajte ali uporabljajte, če obstaja možnost, da so ga spremenile tretje osebe.
- Izdelek uporabljajte samo za odstranjevanje slame in mahu s travnatih površin. Ne uporabljajte ga za druga opravila.
- Uporabljajte osebno zaščitno opremo. Glejte, *Osebna zaščitna oprema na strani 370*.
- V zasilmem primeru morate znati motor hitro izklopiti.
- Izdelka ne uporabljajte dežju ali visoki vlagi. To lahko poveča nevarnost električnega udara.
- Izdelka ne uporabljajte, če zobje rezila in vsi pokrovi niso nameščeni pravilno. Nepravilno nameščeni zobje rezila lahko odletijo in povzročijo poškodbe.
- Pazite, da zobje rezila ne udarjajo ob predmete, npr. kamenje in korenine. To lahko poškoduje zobe rezila in ukrivi motorno gred. Zvita os povzroča vibracije in zelo visoko tveganje, da zobje rezila odletijo.
- Če zobje rezila trčijo ob predmet ali začutite vibracije, izdelek nemudoma izklopite. Izklopite motor, varnostni ključ obrnite v položaj 0 in odstranite baterijo. Počakajte, da se gibljivi deli ustavijo. Preglejte, ali je izdelek morda poškodovan. Trdno pritrdite razrahljane dele. Popravite poškodbe in zamenjajte poškodovane dele. Popravilo naj izvede pooblaščen servisier.
- Ročice zavore motorja nikoli ne pritrdite trajno na ročaj, ko motor deluje.
- Izdelek vklopite na stabilni in ravni podlagi. Prepričajte se, da zobje rezila ne trčijo ob tla ali druge predmete.
- Vedno bodite za izdelkom, ko ga upravljate.

## Varnost pri delu



**OPOZORILO:** Pred uporabo izdelka preberite navodila v povezavi z opozorili v nadaljevanju.

- Ko upravljate izdelek, morajo biti vsa kolesa na tleh, prav tako pa imejte na ročaju obe roki. Z rokami in nogami se ne približujte vrtljivim zobem rezila.
- Ne nagibajte izdelka med njegovim delovanjem in zagonom motorja.
- Ko izdelek potegnete nazaj, bodite previdni.
- Izdelka ne dvigajte, ko motor deluje. Če morate izdelek dvigniti, najprej izklopite motor, nato varnostni ključ obrnite v položaj 0 in odstranite baterijo.
- Med uporabo izdelka ne hodite vzvratno.
- Če morate izdelek nagniti zaradi prenašanja ali preden se premikate po območjih brez trave, na primer po poteh iz gramoza, kamna ali asfalta, izklopite motor.
- Pri delujočem motorju ne tecite z izdelkom. Pri uporabi tega izdelka vedno hodite.
- Pred spreminjanjem globine obdelave ustavite motor. Ne izvajajte nastavitve, ko motor deluje.
- Izdelek z delujočim motorjem morate imeti vedno na očeh. Izklopite motor, varnostni ključ obrnite v položaj 0 in odstranite baterijo. Prepričajte se, da se oprema za prezračevanje ne vrti.
- Tresljaji v izdelku med njegovim delovanjem se lahko razlikujejo od vrednosti treslajev, navedenih v razdelku *Tehnični podatki na strani 377*. Razlika je posledica različnih načinov uporabe izdelka. Če izdelek uporabljate pogosto ali dlje časa, delajte redne premore, da preprečite telesne poškodbe zaradi treslajev.

- Redno preverjajte varnostne naprave. Če so varnostne naprave poškodovane ali ne delujejo pravilno, se obrnite na servisnega zastopnika Husqvarna.

## Preverjanje pokrovov

Pokrov opreme za prezračevanje blaži tresljaje v izdelku in zmanjšuje nevarnost poškodb zaradi opreme za prezračevanje.

- Preglejte stranski pokrov opreme za prezračevanje in se prepričajte, da ni poškodovan, na primer razpokan.
- Preglejte zadnji pokrov in se prepričajte, da ni poškodovan, na primer razpokan.

## Motorna zavorna ročica

Zavorna ročica motorja izklopi motor. Ko spustite zavorno ročico motorja, se motor ustavi.

Za preverjanje motorne zavore morate motor zagnati, potem pa ročico zavore motorja sprostiti. Če se motor ne izklopi v 3 sekundah, mora izdelek preveriti pooblaščen servisler Husqvarna, ki mora nato nastaviti motorno zavoro.

(Sl. 19)

## Varnostni ključ

Varnostni ključ najdete pod pokrovom baterije. Varnostni ključ se uporablja za priklon baterije, ki napaja motor.

- Zaženite in izklopite motor, da preverite varnostni ključ.
- Če varnostni ključ deluje pravilno, se motor zažene šele, ko ključ obrnete v položaj 1.

(Sl. 20)

## Za pregled blokade vžiga

Preverite blokado vžiga in se prepričajte, da onemogoča zagon motorja.

1. Ročico motorne zavore potisnite v smer ročaja. Blokada vžiga ustavi premikanje.
2. Blokado vžiga potisnite ven. (Sl. 21)
3. Sprostite gumb blokade vžiga in se prepričajte, da se vrne v izhodiščni položaj.

## Varna uporaba baterije



**OPOZORILO:** Pred uporabo izdelka preberite navodila v povezavi z opozorili v nadaljevanju.

- Kot vir napajanja uporabljajte akumulatorske baterije Husqvarna; samo za povezane izdelke Husqvarna. Za preprečevanje poškodb akumulatorske baterije ne uporabljajte za napajanje drugih naprav.
- Ne uporabljajte baterij za enkratno uporabo.
- Nevarnost električnega udara. Poli baterije ne smejo priti v stik s ključi, kovanci, vijaki ali drugimi

## Varnostna navodila za uporabo

### Osebna zaščitna oprema



**OPOZORILO:** Pred uporabo izdelka preberite navodila v povezavi z opozorili v nadaljevanju.

- Osebna zaščitna oprema ne more popolnoma preprečiti poškodb, vendar v primeru nesreče omili posledice. Prodajalec naj vam pomaga izbrati ustrezno opremo.
- Uporabite trpežno obutev, ki ne drsi. Ne bodite bos! ali nosite odprtih čevljev.
- Oblečene imejte trpežne, dolge hlače.
- Po potrebi uporabite zaščitne rokavice, npr. kadar pritrjujete, pregledujete ali čistite rezalno opremo.
- Priporočamo uporabo zaščite za sluh.

### Varnostne naprave na izdelku



**OPOZORILO:** Pred uporabo izdelka preberite navodila v povezavi z opozorili v nadaljevanju.

- Ne uporabljajte izdelka z varnostnimi napravami, ki so poškodovane ali ne delujejo pravilno.
- Ne odstranjujte in ne spreminjajte varnostnih naprav.

kovinskimi deli. To lahko povzroči kratek stik akumulatorske baterije.

- V zračne reže akumulatorske baterije ne vstavljajte predmetov.
- Akumulatorske baterije ne izpostavljajte neposredni sončni svetlobi, vročini ali odprtemu ognju. Akumulatorska baterija lahko eksplodira in povzroči opekline in/ali kemične opekline.
- Akumulatorska baterije ne izpostavljate dežju in vlagi.
- Akumulatorske baterije ne izpostavljajte mikrovalovom in visokemu tlaku.
- Akumulatorske baterije ne poskušajte razstaviti ali odpreti.
- Če baterija pušča, pazite, da tekočina ne pride v stik s telesom ali očmi. Če ste se tekočine dotaknili, območje očistite z obilo vode in poiščite zdravniško pomoč.
- Akumulatorsko baterijo uporabljajte samo v okolju s temperaturami med 5 °C in 40 °C.
- Polnilnik akumulatorske baterije uporabljajte samo v okolju s temperaturami med 5 °C in 40 °C.
- Če temperatura akumulatorske baterije presega 50 °C, se baterija ne bo polnila.
- Akumulatorske baterije ali polnilnika nikoli ne čistite z vodo. Glejte, *Akumulatorska baterija na strani 375*.
- Ne uporabljajte poškodovane akumulatorske baterije.
- Akumulatorske baterije med skladiščenjem ne smejo priti v stik s kovinskimi predmeti, na primer žebli, kovanci ali nakitom.

## Varna uporaba polnilnika baterij



**OPOZORILO:** Pred uporabo izdelka preberite navodila v povezavi z opozorili v nadaljevanju.

- Za polnjenje nadomestnih baterij Husqvarna uporabljajte samo polnilnike baterij QC.
- Nevarnost električnega udara ali kratkega stika. V zračne reže polnilnika ne vstavljajte predmetov. Polnilnika baterije ne poskušajte razstaviti. Poli na polnilniku se ne smejo dotikati kovinskih predmetov. Uporabljajte homologirano omrežno vtičnico.
- Izdelek med delovanjem ustvarja elektromagnetno polje. To polje lahko v nekaterih pogojih interferira z aktivnimi ali pasivnimi medicinskimi vsadki. Da bi zmanjšali nevarnost ki bi lahko povzročila telesne poškodbe ali smrt, priporočamo, da se osebe z medicinskimi vsadki pred uporabo izdelka posvetujejo s svojim zdravnikom in proizvajalcem vsadka.
- Redno preverjajte, da napajalni kabel polnilnika ni poškodovan in ni napokan.
- Polnilnika akumulatorske baterije ne dvigujte za napajalni kabel. Polnilnik baterije odklopite iz stenske vtičnice tako, da povlečete vtič. Nikoli ne vlečite za napajalni kabel.

- Pazite, da se napajalni kabel in kabelski podaljški ne dotaknejo vode, olja in ostrih robov. Kabli ne smejo biti preščipnjeni med vrata, ograje in podobne dele. Zaradi tega je lahko polnilnik pod napetostjo.
- Polnilnika akumulatorske baterije nikoli ne čistite z vodo.
- Polnilnik akumulatorske baterije lahko uporabljajo otroci, stari 8 let in več, ter osebe z omejenimi telesnimi, zaznavalnimi ali duševnimi sposobnostmi ali s pomanjkanjem izkušenj in znanja, če so pri tem pod nadzorom ali jih o varni uporabi ter morebitnih nevarnostih podučijo odgovorna oseba. Otroci se s polnilnikom akumulatorske baterije ne smejo igrati. Otroci naprave brez nadzora ne smejo čistiti, ali opravljati običajnih uporabnikovih vzdrževalnih posegov.
- V polnilniku akumulatorske baterije ne polnite baterij za enkratno uporabo.
- Polnilnika akumulatorske baterije ne uporabljajte v bližini gorljivih materialov ali materialov, ki povzročajo korozijo. Polnilnika akumulatorske baterije ne pokrivajte. V primeru dima ali požara izvelice vtič polnilnika baterije.
- Ne uporabljajte poškodovanega ali pokvarjenega polnilnika akumulatorske baterije.
- Akumulatorsko baterijo polnite le v zaprtih prostorih z dobrim prezračevanjem, kjer je zaščiten pred neposredno sončno svetlobo. Akumulatorske enote ne polnite v stiku z vodo ali vlago.

## Varnostna navodila za vzdrževanje



**OPOZORILO:** Pred uporabo izdelka preberite navodila v povezavi z opozorili v nadaljevanju.

- Za preprečevanje neželenega zagona med vzdrževanjem morate varnostni ključ obrniti v položaj 0 in odstraniti baterijo. Pred začetkom vzdrževalnih del počakajte najmanj 5 sekund.
- Vzdrževalna dela opravljajte pravilno in tako podaljšajte življenjsko dobo izdelka ter zmanjšajte nevarnost nesreč. Pooblaščen serviser naj opravi popravila, za katera je zahtevano profesionalno osebe. Za več informacij se obrnite na najbližjega servisnega zastopnika.
- Vzdrževalna dela opravite tako, kot piše v teh navodilih za uporabo. Zahtevnejše posege mora opraviti pooblaščen serviser.
- Da preprečite nastanek telesnih poškodb, ne odstranjujte in ne spreminjajte varnostnih naprav.
- Pri delu z opremo za prezračevanje morate nositi močne zaščitne rokavice. Oprema za prezračevanje je izjemno ostra, zato lahko hitro pride do poškodb.
- Za najboljše in najvarnejše delovanje morajo biti zobje rezila opreme za prezračevanje ostra in čista.
- Izdelek naj redno preverja in po potrebi nastavlja ter popravlja pooblaščen servisna delavnica.

- Zamenjajte poškodovane, obrabljene ali zlomljene dele. Vedno uporabljajte originalne nadomestne dele proizvajalca. Drugi nadomestni deli lahko poškodujejo izdelek in povečajo nevarnost nesreč.
- Upoštevajte navodila za zamenjavo dodatne opreme. Uporabljajte samo dodatno opremo, ki jo odobri proizvajalec.

- Ko izdelka ne uporabljate, morate izdelek, baterijo in polnilnik baterije hraniti ločeno v suhem, zaprtem in zaklenjenem prostoru. Otroci in osebe, katerim uporaba ni dovoljena, ne smejo imeti dostopa do izdelka, baterije ali polnilnika baterije.

---

## Montaža

---

### Uvod



**OPOZORILO:** Preden sestavite izdelek, preberite poglavje o varnosti.



**OPOZORILO:** Neželen vklop med sestavljanjem preprečite tako, da ključ obrnete v položaj 0, odstranite baterijo in počakate vsaj 5 sekund.

### Montaža ročice

1. Sprostite spodnja gumbna vijaka.
2. Gumbna vijaka na levi in desni strani izdelka pomaknite v spodnji del utorov. (Sl. 22)
3. Višino ročice prestavite v enega od 2 razpoložljivih položajev.

4. Premaknite gumbna vijaka do konca navzgor proti ročici, da zaslišite klik. (Sl. 23)
5. Popolnomaategnite gumbne vijake.

### Namestititev zbiralnika za travo

1. Ogrodje zbiralnika za travo vstavite v vrečo za travo tako, da je trdi del vrečke na dnu. Ročaj ogrodja zbiralnika za travo mora biti vedno na vrhu. (Sl. 24)
2. Spodnji del ogrodja zbiralnika za travo vstavite v utor na dnu zbiralnika za travo.
3. Vrečo za travo namestite na ogrodje zbiralnika za travo in ga pritrdite z sponkami. (Sl. 25)
4. Dvignite zadnji pokrov.
5. Zbiralnik za travo potisnite v pravičen položaj. (Sl. 26)
6. Zbiralnik za travo pritrdite na zgornji rob ohišja. Prepričajte se, da se zadnji pokrov tesno prilega zbiralniku za travo, da ne bi prišlo do uhajanja. (Sl. 27)

---

## Delovanje

---

### Uvod



**OPOZORILO:** Pred uporabo izdelka morate prebrati in razumeti poglavje o varnosti.

### Husqvarna Connect

Husqvarna Connect je brezplačna aplikacija za vašo mobilno napravo. Aplikacija Husqvarna Connect omogoča razširitev funkcij vašega izdelka Husqvarna:

- Dodatne informacije o izdelku.
- Informacije o izdelku, delih in servisu ter pomoč.

### Začetek uporabe: Husqvarna Connect

1. V mobilno napravo si prenesite aplikacijo Husqvarna Connect.
2. Registrirajte se v aplikaciji Husqvarna Connect.
3. Za vzpostavitev povezave in registracijo izdelka sledite navodilom v aplikaciji Husqvarna Connect.

### Nastavitev globine obdelave



**OPOZORILO:** Globine obdelave ne nastavljajte med uporabo izdelka.

1. Če želite povečati globino obdelave, pritisnite gumb za nastavitev globine obdelave ter ga zavrtite v nasprotni smeri urinega kazalca.
2. Če želite zmanjšati globino obdelave, pritisnite gumb za nastavitev globine obdelave ter ga zavrtite v smeri urinega kazalca. (Sl. 28)

### Akumulator



**OPOZORILO:** Pred uporabo baterije morate prebrati in razumeti poglavje o varnosti. Prebrati in razumeti morate tudi navodila za uporabo, ki so priložena bateriji in polnilniku.

Baterijo in polnilnik baterije shranjujte v prostoru s pravilno temperaturo.

	<b>Temperatura okolice</b>
Delovanje baterije	Od 5 °C do 40 °C
Polnjenje baterije	Od 5 °C do 40 °C

## Stanje baterije

Na zaslonu je prikazana preostala napolnjenost baterije in podatki o morebitnih težavah z akumulatorsko baterijo. Za prikaz stanja napolnjenosti baterije pritisnite gumb indikatorja na njej. V primeru napake sveti na akumulatorski bateriji opozorilni indikator. Glejte, *Akumulatorska baterija na strani 375*.

(Sl. 29)

Indikatorji LED	Stanje baterije
Vsi indikatorji LED svetijo	Polna napolnjenost (76–100 %)
Svetijo indikatorji LED 1, 2 in 3	Akumulatorska baterija je napolnjena med 51 % in 75 %.
Svetita indikatorja LED 1 in 2	Akumulatorska baterija je napolnjena med 26 % in 50 %.
Sveti indikator LED 1	Napolnjenost akumulatorske baterije je med 6 % in 25 %.
Indikator LED 1 utripa	Napolnjenost akumulatorske baterije je med 0 % in 5 %.

## Polnjenje baterije

Baterijo pred prvo uporabo napolnite. Baterija je ob dobavi napolnjena na 30 %.

**Opomba:** Baterijski polnilnik mora biti priključen na napetost in frekvenco, ki sta navedena na tipski ploščici.

Če je temperatura baterije višja od 50 °C, se ne polni. Polnilnik baterije pred polnjenjem zniža temperaturo baterije.

1. En konec napajalnega kabla vstavite v konektor v polnilniku baterije.
2. Drugi konec napajalnega kabla polnilnika priključite v primerno ozemljeno električno vtičnico. Indikator LED na polnilniku baterije enkrat utripne zeleno. (Sl. 30)
3. Baterijo vstavite v polnilnik baterije. Zeleni indikator na polnilniku se vklopi, ko je baterija pravilno vstavljena v polnilnik. (Sl. 31)
4. Ko se vsi indikatorji LED na bateriji vklopijo, je baterija popolnoma napolnjena. Baterijo polnite največ 24 ur.

5. Polnilnik baterije iz stenske vtičnice izvlecite za vtič, ne za kabel.
6. Odstranite baterijo iz polnilnika.

## Zagon izdelka

1. Napolnjeno baterijo vstavite v prostorček 1 pod pokrovom baterije. Za daljše delovanje v prostorček 2 vstavite še eno napolnjeno baterijo.
2. Varnostni ključ obrnite v položaj 1. (Sl. 32)
3. Ostanite za izdelkom.
4. Pritisnite gumb VKLOP/IZKLOP (A) na krmilni plošči in zelena LED (B) se vklopi. (Sl. 33)
5. Sprostite blokado vžiga. (Sl. 34)
6. Ročico motorne zavore potisnite v smer ročaja. (Sl. 35)

## Za uporabo funkcije SavE

Izdelek je opremljen s funkcijo varčevanja z baterijo (SavE), ki omogoča daljši čas delovanja.

1. Pritisnite gumb SavE (A) za začetek izvajanja funkcije. Zelena LED se vklopi. (Sl. 36)
2. Znova pritisnite gumb SavE za konec izvajanja funkcije. Zelena LED (B) se izklopi.

## Funkcija visoke obremenitve

Ko izdelek kosi dolgo ali mokro travo, motor samodejno poveča število vrtljajev. Motor znova preklopi v normalni način, ko višja obremenitev ni več potrebna.

## Ugašanje motorja

Med delovanjem izdelka se lahko rezilo in motor začasno ustavita zaradi ovir, kot je zagozdena trava pod pokrovom rezila. Če se to zgodi in držite zavorno ročico motorja potisnjeno navzdol, se izdelek samodejno znova zažene. Če se izdelek ne zažene znova v 5–10 sekundah, boste morda morali očistiti pod pokrovom rezila. Glejte *Čiščenje izdelka na strani 374*.



**OPOZORILO:** Če se motor zaustavi, se izdelek poskuša v 5–10 sekundah samodejno znova zagnati. Počakajte najmanj 15 sekund, preden preverite pokrov rezila.



**OPOZORILO:** Preden preverite pokrov rezila, sprostite zavorno ročico motorja, obrnite varnostni ključ v položaj 0, odstranite baterijo in počakajte najmanj 5 sekund. Če se ovira odstrani in se izdelek nenamerno zažene, obstaja nevarnost telesnih poškodb.

## Zaustavitev izdelka

Izdelek se samodejno izklopi po 10 minutah mirovanja. Izdelek z delujočim motorjem morate imeti vedno na očeh. Izklopite motor, varnostni ključ obrnite v položaj 0 in odstranite baterijo. Prepričajte se, da se oprema za prezračevanje ne vrti.

1. Za izklop motorja sprostite ročico motorne zavore. (Sl. 37)

2. Pritisnite gumb VKLOP/IZKLOP (A) na krmilni plošči in zelena LED (B) se izklopi. (Sl. 33)
3. Odprite pokrov baterije in varnostni ključ obrnite v položaj 0. (Sl. 38)
4. Za odstranitev baterije hkrati pritisnite 2 gumba za sprostitev baterije, nato pa jo izvlecite. (Sl. 39)
5. Napolnite baterijo, če je izpraznjena. Za več informacij glejte *Polnjenje baterije na strani 373*.

## Vzdrževanje

### Uvod



**OPOZORILO:** Pred izvajanjem vzdrževalnih del morate prebrati in razumeti poglavje o varnosti.

Za servisiranje in popravila na izdelku posebno usposabljanje ni potrebno. Zagotavljamo, da vam bodo na voljo strokovna popravila in servisiranje. Če vaš prodajalec ni pooblaščen serviser, ga povprašajte, kje je naslednja najbližja pooblaščen servisna delavnica.

Za več informacij glejte [www.husqvarna.com](http://www.husqvarna.com).

### Urnik vzdrževanja

Izračunani intervali vzdrževanja veljajo za vsakodnevno uporabo izdelka. Intervali se spremenijo, če izdelka ne uporabljate vsakodnevno.

Za vzdrževalne posege, ki so označeni z \*, glejte *Varnostne naprave na izdelku na strani 370*.

S 138i	Pri vsaki uporabi	Mesečno	Vsako sezono
Opravite splošen pregled.	X		
Izdelek očistite.	X		
Preverite opremo za prezračevanje.	X		
Prepričajte se, da varnostne naprave izdelka niso poškodovane. *	X		
Preglejte pokrove. *	X		
Preverite ročico motorne zavore. *	X		
Preverite blokado vžiga. *	X		
Prepričajte se, da gumb za VKLOP/IZKLOP deluje pravilno in ni pokvarjen.	X		
Preverite, ali je baterija poškodovana.	X		
Preverite napolnjenost baterije.	X		
Prepričajte se, da gumba za sprostitev na bateriji delujeta pravilno in omogočata pravi zaklep baterije v izdelku.	X		
Preverite, ali je polnilnik baterije poškodovan, in se prepričajte, da pravilno deluje.		X	
Preverite povezave med baterijo in izdelkom. Preverite tudi povezave med baterijo in polnilnikom baterije.			X

### Izvajanje splošnih pregledov

- Prepričajte se, da so matice in vijaki na izdelku dobro priviti.
- Prepričajte se, da kabli na izdelku niso v položaju, v katerem bi se lahko poškodovali.

### Čiščenje izdelka

- Plastične dele čistite s čisto in suho krpo.
- Izdelka ne čistite z vodo. Voda lahko vdre v baterijo ali motor in povzroči kratki stik ali poškoduje izdelek.
- Izdelka ne čistite z visokotlačnim čistilnikom.

- Vode ne zlivajte neposredno na motor.
- S krtačo odstranite listje, travo in umazanijo.

položaj "0", odstranite baterijo in počakajte najmanj 5 sekund.

## Čiščenje baterije in baterijskega polnilnika



**OPOZORILO:** Baterije ali polnilnika nikoli ne čistite z vodo.



**OPOZORILO:** Izdelka ne čistite s kemičnimi snovmi.

- Pred vstavljanjem baterije v polnilnik baterije se prepričajte, da sta baterija in polnilnik baterije čista in suha.
- Pola baterije očistite s stisnjenim zrakom ali za čiščenje uporabite mehko in suho krpo.
- Površine baterije in polnilnika očistite z mehko in suho krpo.

## Pregledovanje opreme za prezačevanje



**OPOZORILO:** Za preprečevanje neželenega vklopa varnostni ključ obrnite v



**OPOZORILO:** Pri vzdrževanju opreme za prezačevanje uporabite zaščitne rokavice. Zobje rezila opreme za prezačevanje so izjemno ostri, zato lahko hitro pride do ureznin.

- Preverite, ali je oprema za prezačevanje poškodovana oziroma razpokana. Če je oprema za prezačevanje poškodovana, jo zamenjajte.

## Zamenjava opreme za prezačevanje



**OPOZORILO:** Pri vzdrževanju opreme za prezačevanje uporabite zaščitne rokavice. Oprema za prezačevanje je izjemno ostra, zato lahko hitro pride do ureznin.

1. Izdelek odložite na desno stran. (Sl. 40)
2. Odstranite 2 vijaka (A) in pokrov prezačevalnika (B). Potisnite opremo za prezačevanje (C) navzgor in navzven, da jo odstranite. (Sl. 41)
3. Novo opremo za prezačevanje (C) potisnite v utor in v odprtino. Pokrov prezačevalnika (B) znova privijte z 2 vijakoma (A). (Sl. 42)

## Odpravljanje težav

### Akumulatorska baterija

LED na bateriji	Vzrok	Rešitev
Zeleni LED-indikator utripa.	Napetost akumulatorske baterije je prenizka.	Napolnite baterijo. Glejte, <i>Polnjenje baterije na strani 373</i> .
LED-indikator za napa-ko baterije utripa.	Baterija je premrzla ali prevroča za uporabo.	Počakajte, da se baterija ohladi ali jo odnesite v toplem prostor, da se ogreje. Ko bo temperatura baterije ustrezna, jo lahko spet uporabljate. Akumulatorsko baterijo uporabljajte samo v okolju s temperaturami med 5 °C in -40 °C.
	Baterija je prazna.	Napolnite baterijo. Glejte, <i>Polnjenje baterije na strani 373</i> .
LED-indikator za napa-ko baterije sveti.	Prišlo je do trajne napa-ke akumulatorske bate-rije.	Obrnite se na servisnega zastopnika Husqvarna.

## Polnilnik akumulatorske baterije

Lučka LED na polnilniku baterije	Vzrok	Rešitev
Indikator LED za napako utripa ali zasveti.	Polnilnik akumulatorske baterije je premrzel ali prevroč za uporabo.	Počakajte, da se polnilnik akumulatorske baterije ohladi ali ga odnesite v toplem prostoru, da se ogreje. Ko bo temperatura polnilnika akumulatorske baterije ustrezna, ga lahko spet uporabljate. Polnilnik akumulatorske baterije uporabljajte samo v okolju s temperaturami med 5 °C in -40 °C.
	Druge napake.	Obrnite se na servisnega zastopnika Husqvarna.

## Kontrolna plošča

Napaka	Koda napake (število utripov)	Možne napake	Možen ukrep
Dioda LED za napako utripa	3	Motor je preobremenjen.	Zmanjšajte globino obdelave. Glejte, <i>Nastavitve globine obdelave na strani 372</i> . Če indikator LED za napako nenehno utripa, se je oprema za prezračevanje zagostila. Neželen vklop preprečite tako, da varnostni ključ obrnete v položaj 0, odstranite baterijo in počakate vsaj 5 sekund. Prepričajte se, da se lahko oprema za prezračevanje neovirano premika. Če se napaka ponavlja, se obrnite na pooblaščenega servisnega zastopnika.
	5	Število vrtljajev motorja preveč upade in motor se izklopi.	
	9	Krmilnik motorja je prevroč.	Izklopite motor in počakajte, da se ohladi.
	7	Napaka baterije ali baterija ne oddaja signala.	Baterijo pravilno vstavite v izdelek in preverite priključek baterije. Če indikator LED za napako baterije utripa, glejte <i>Akumulatorska baterija na strani 375</i> .
Izdelek se ustavi	6	Napolnjenost baterije je nizka.	Napolnite baterijo. Glejte, <i>Polnjenje baterije na strani 373</i> .
		Brez utripanja.	Napaka priključka baterije. Preverite priključek baterije.
Druge napake	Če pride do drugih napak, obrnite ključ v položaj 0, odstranite baterijo in se obrnite na pooblaščenega serviserja.		

## Transport skladiščenje in odstranitev

### Uvod

da ključ obrnete v položaj 0, odstranite baterijo in počakate vsaj 5 sekund.



**OPOZORILO:** Neželen vklop med prevozom in skladiščenjem preprečite tako,



## Prevoz

- Za vstavljene litij-ionske baterijske enote veljajo zahteve zakonodaje o nevarnem blagu.
- Pri transportu v komercialne namene morate upoštevati posebne zahteve, navedene na pakiranju in nalepkah.
- Pri pripravi izdelka za transport morate upoštevati uredbe za ravnanje z nevarnimi materiali. Veljajo lokalni predpisi.
- Baterijo pri prevozu vedno odstranite.
- Na priključke baterije namestite izolacijski trak in se prepričajte, da se baterija med transportom ne more premikati.
- Med izdelek pritrdite.

## Skladiščenje

- Pri skladiščenju vedno odstranite akumulatorske baterije.
- Pred skladiščenjem se mora izdelek ohladiti.
- Za preprečevanje nesreč baterija med skladiščenjem ne sme biti priklopljena.
- Polnilnik baterije vedno hranite v zaprtem in suhem prostoru.
- Baterijo in polnilnik baterije hranite v zaprtem prostoru, kjer ni vlage ali nevarnosti zamrzovanja.
- Med shranjevanjem baterijo odstranite iz polnilnika.
- Baterijske ne shranjujte na mestu, kjer je lahko prisotna statična elektrika. Baterije ne shranjujte v kovinski škatli.
- Izdelek shranjujte v prostoru s temperaturo med – 10 °C in 40 °C.
- Baterijo hranite v prostoru s temperaturo med 5°C in 25°C, ki je zaščiten pred neposredno sončno svetlobo.

- Polnilnik baterije hranite v prostoru s temperaturo med 5 °C in 45 °C, ki je zaščiten pred neposredno sončno svetlobo.
- Pred dolgotrajnejšim skladiščenjem mora biti baterija napolnjena med 30 % in 50 %.
- Izdelek, baterijo in polnilnik hranite v zaklenjenem prostoru, do katerega otroci in nepooblaščen osebe nimajo dostopa.
- Očistite izdelek in se prepričajte, da je zbiralnik za travo prazen.
- Vzdrževalna dela opravite tako, kot je navedeno v teh navodilih za uporabo. Glejte, *Urnik vzdrževanja na strani 374*.
- Pred dolgotrajnim skladiščenjem opravite celovit servis.

## Odlaganje

Simboli na izdelku ali njegovi embalaži opozarjajo, da izdelka ne smete obravnavati kot gospodinjskega odpadka. Odnesti ga je treba v ustrezno zbirališče, kjer bodo poskrbeli za recikliranje električnih in elektronskih naprav.

Z zagotavljanjem pravilne obravnave izdelka boste pomagali preprečiti njegov morebiten škodljiv učinek na okolje in ljudi, do katerega bi lahko prišlo, kot posledica nepravilnega upravljanja z odpadki. Podrobnejše informacije o recikliranju tega izdelka lahko dobite v svoji občini, v komunalnem podjetju ali v trgovini, kjer ste ga kupili.

(Sl. 43)

---

## Tehnični podatki

---

### Tehnični podatki

<b>S 138i</b>	
<b>Motor</b>	
Tip motorja	BLDC (brezkrtačni enosmerni) 36 V
Št. vrtljajev priključka – SavE, vrt/min	3000
Št. vrtljajev priključka – nazivno, vrt/min	3200
Najvišja izhodna moč motorja v kW	1,28
Nazivna izhodna moč motorja v kW	0,9
<b>Teža</b>	
Teža brez vreče (brez baterije), kg	19,5
Teža z vrečo (vklj. z 1 x BLI30), kg	23
<b>Akumulatorska baterija</b>	

<b>S 138i</b>	
Vrsta baterije	Serija baterij Husqvarna
<b>Avtonomija baterije</b>	
Avtonomija baterije, najkrajša, (prosto delovanje) z aktivirano funkcijo SavE, z eno baterijo Husqvarna z močjo 7,5 Ah (BLi30).	195
Avtonomija baterije, najkrajša, (prosto delovanje) z aktiviranim standardnim načinom, z eno baterijo Husqvarna moči 7,5 Ah (BLi30).	175
<b>Emisije hrupa</b> <sup>67</sup>	
Raven zvočne moči, izmerjena v dB (A)	89
Raven zvočne moči, zajamčena $L_{WA}$ v dB(A)	91
<b>Nivoji hrupa</b> <sup>68</sup>	
Nivo zvočnega tlaka pri ušesu operaterja, dB(A)	75
<b>Ravni vibracij</b> <sup>69</sup>	
Ročaj, $m/s^2$	5,5
<b>Delovanje</b>	
Največja/najmanjša globina obdelave v mm	-8/+5
Širina obdelave v cm	37,5
Nastavek za zobe rezila	5973510-01
Priključek z vzmetnimi zobmi	5973509-01
Prostornina zbiralnika za travo v litrih	45

Homologirane baterije	Vrsta	Zmogljivost akumulatorja v Ah	Napetost, V	Teža, lb/kg
BLi30	Litij-ionska	7,5	36	4,2/1,9
40-B140	Litij-ionska	4,0	36	2,6/1,2

Odobreni polnilniki za določene baterije, BLi	Vhodna napetost, V	Frekvenca, Hz	Moč, W
40-C80	100–240	50–60	68,8

<sup>67</sup> Emisije hrupa v okolje, merjene kot moč zvoka ( $L_{WA}$ ), v skladu z direktivo ES 2000/14/ES.

<sup>68</sup> Dejavnik negotovosti (K) sporočenih podatkov za raven zvočnega tlaka je 1,5 dB(A).

<sup>69</sup> Dejavnik negotovosti (K) sporočenih podatkov za raven tresljajev je 1,5  $m/s^2$ . Navedena skupna vrednost tresljajev je bila izmerjena v skladu s prilogo B standarda EN 62841-4-7 ter se lahko uporablja za primerjavo dveh strojev in za predhodno oceno izpostavljenosti.

Odobreni polnilniki za določene baterije, BLi	Vhodna napetost, V	Frekvenca, Hz	Moč, W
QC250	220–240	50	250

---

## Izjava o skladnosti

---

## Izjava EU o skladnosti

Mi, **Husqvarna AB**, SE--561 82 Huskvarna, Švedska,  
tel.: +46-36-146500, izjavljamo na lastno odgovornost,  
da je izdelek:

<b>Opis</b>	Prezračevalnik zemlje
<b>Znamka</b>	Husqvarna
<b>Vrsta/model</b>	S 138i
<b>Identifikacija</b>	Serijske številke od letnika 2023 dalje

v celoti skladen z naslednjimi direktivami in uredbami  
EU:

Direktiva/uredba	Opis
2011/65/EU	"o omejevanju uporabe nekaterih nevarnih snovi v električni in elektronski opremi"
2006/42/ES	"o strojih"
2014/30/EU	"o elektromagnetni združljivosti"
2000/14/ES	"o emisijah hrupa v okolico"

in so pri tem v veljavi naslednji standardi in/ali  
tehnične specifikacije: EN 62841-1:2015/A11:2022, EN  
IEC 62841-4-7:2022/A11:2022, EN ISO 12100:2010,  
EN 55014-1:2017/A11:2020, EN 55014-2:2015, EN IEC  
63000:2018.

Za informacije v zvezi z emisijami hrupa glejte poglavje  
*Tehnični podatki na strani 377.*

Huskvarna, 2023-12-30



Claes Losdal

Vodja oddelka za razvoj vrtno opreme

Husqvarna AB

Odgovorni za tehnično dokumentacijo



---

## Sadržaj

---

Uvod.....	382	Rešavanje problema.....	391
Bezbednost.....	383	Transport, skladištenje i odlaganje.....	392
Sklapanje.....	388	Tehnički podaci.....	393
Rukovanje.....	388	Deklaracija o usaglašenosti.....	395
Održavanje.....	390		

---

## Uvod

---

### Opis proizvoda

Proizvod je električni ditačer koji kontroliše rukovalac. Proizvod uklanja tač (slamu) sa travnjaka i čini zemljište rastresitijim kako bi vazduh i voda prodrli u travnjak. Tač se prikuplja u hvatač trave ili se izbacuje na travnjak. Proizvod ima dve vrste opreme za ditačer.

### Oprema za ditačer

Pogledajte *Zamena opreme za ditačer na stranici 391* za informacije kako da zamenite opremu za ditačer.

### Zupci sečiva

Zupci sečiva uklanjaju tač i režu koren trave vertikalno. Koristite zupce sečiva na nagibima, ravnim uzdignutim

### Pregled proizvoda

(Sl. 1)

1. Ručica kočnice motora
2. Gornja ručica
3. Kontrolna tabla
4. Inhibitor pokretanja
5. Donja ručica
6. Hvatač trave
7. Zadnji poklopac
8. Poklopac ditačera
9. Poklopac baterije
10. Dugme za podešavanje radne dubine
11. Bezbednosni ključ
12. LED lampica indikatora ON/OFF
13. Dugme ON/OFF
14. Dugme Save
15. LED lampica indikatora Save
16. Indikator punjenja baterije i dugme baterije
17. Opružni zupci
18. Baterija (oprema)
19. Punjač baterije (oprema)
20. Šestougao ni ključ
21. Uputstvo za rukovaoca

### Simboli na proizvodu

(Sl. 2) UPOZORENJE

oblastima i zemljištima koja imaju veliku količinu gline. Zupci sečiva omogućavaju da voda proдре u travnjak i sprečavaju da se voda sakuplja na površini.

(Sl. 17)

### Opružni zupci

Opružni zupci pažljivo uklanjaju mrtvu travu i tač sa travnjaka bez oštećenja korena trave.

(Sl. 18)

### Namena

Koristite proizvod u privatnim vrtovima za uklanjanje tača i mahovine i da učinite zemljište rastresitijim. Nemojte koristiti proizvod za druge zadatke.

(Sl. 3) Pročitajte uputstva.

(Sl. 4) UPOZORENJE – pazite se izbačenih predmeta.

(Sl. 5) Udaljite druga lica.

(Sl. 6) UPOZORENJE – udaljite šake i stopala od zubaca.

(Sl. 7) Iskopčajte bateriju pre radova na održavanju.

(Sl. 8) Nemojte izlagati kiši.

(Sl. 9) Ovaj proizvod ima zaštitu od prskanja vode.

(Sl. 10) Proizvod je usaglašen sa važećim direktivama EZ.

(Sl. 11) Proizvod je usaglašen sa važećim direktivama UK.

(Sl. 12) Oznaka emisije buke u okruženje u skladu sa direktivama i propisima EU i UK i propisom o zaštiti radova u okruženju (kontrola buke) Novog Južnog Velsa iz

2017. Garantovani nivo zvučne snage za ovaj proizvod naveden je u *Tehnički podaci na stranici 393* i na nalepnici.

- (Sl. 15) Reciklirajte ovaj proizvod u pogonu za recikliranje električne i elektronske opreme. (Odnosi se samo na Evropu)
- (Sl. 16) Postupak pokretanja: pritisnite dugme ON/OFF, olabavite inhibitor pokretanja, pritisnite ručicu kočnice motora.
- (Sl. 13) Otpustite ručicu kočnice motora za zaustavljanje.

(Sl. 14) Kôd koji se može skenirati.

**Napomena:** Ostali simboli/nalepnice koji su navedeni na proizvodu važe za specifične zahteve sertifikata na određenim tržištima.

## Oštećenje proizvoda

Nismo odgovorni za oštećenja proizvoda u sledećim slučajevima:

- proizvod je popravljen na pogrešan način
- proizvod je popravljen korišćenjem delova koji nisu napravljeni ili odobreni od strane proizvođača
- proizvod ima opremu koja ne potiče ili nije odobrena od strane proizvođača
- proizvod nije popravljen u ovlašćenom servisnom centru ili od strane ovlašćenog stručnjaka

## Bezbednost

### Bezbednosne definicije

Upozorenja, mere opreza i napomene se koriste da ukažu na naročito važne delove korisničkog uputstva.



**UPOZORENJE:** Koristi se ako, usled nepoštovanja uputstava, postoji rizik od nastanka telesnih povreda ili smrti kod rukovaoca ili prisutnih osoba.



**OPREZ:** Koristi se ako, usled nepoštovanja uputstava, postoji rizik od nastanka oštećenja na proizvodu, drugim materijalima ili susednim oblastima.

**Napomena:** Koristi se za pružanje više informacija koje su neophodne u datoj situaciji.

### Opšta bezbednosna upozorenja za proizvod



**UPOZORENJE:** Pročitajte sva bezbednosna upozorenja, uputstva, ilustracije i specifikacije koje su obezbeđene uz ovaj proizvod. Nepridržavanje svih uputstava navedenih u nastavku može da dovede do strujnog udara, požara i/ili teških telesnih povreda.

**Sačuvajte sva upozorenja i uputstva kao referencu za kasnije.** Izraz „proizvod“ iz upozorenja odnosi se na proizvod koji se napaja preko električne mreže (putem kabla) ili akumulatora (bežično).

### Bezbednost u radnom području

- **Držite radnu oblast čistom i dobro osvetljenom.** U neurednim ili mračnim oblastima nezgode se češće dešavaju.
- **Ne radite sa proizvodom u eksplozivnim okruženjima, npr. u prisustvu zapaljivih tečnosti, gasova ili prašine.** Proizvod stvara iskre koje mogu da zapale prašinu ili isparenja.
- **Deca i posmatrači treba da se udalje dok koristite proizvod.** Skretanje pažnje može da dovede do toga da izgubite kontrolu.

### Lična bezbednost

- **Budite na oprezu, ne skrećite pogled sa onoga što radite i rukujte proizvodom zdravorazumski. Nemojte da koristite proizvod ako ste umorni ili pod dejstvom droge, alkohola ili lekova.** Trenutak nepažnje prilikom korišćenja proizvoda može da dovede do teških telesnih povreda.
- **Koristite ličnu zaštitnu opremu. Uvek nosite zaštitu za oči.** Zaštitna oprema poput zaštitne maske od prašine, sigurnosnih neklizajućih cipela, kacige ili zaštite za sluh koja se koristi u odgovarajućim uslovima smanjuje telesne povrede.
- **Sprečite slučajno pokretanje. Uverite se da je prekidač u isključenom položaju pre priključivanja na izvor napajanja i/ili prenosivi punjač akumulatora, podizanja ili nošenja proizvoda.** Nošenje proizvoda sa prstom na prekidaču ili napajanje proizvoda sa prekidačem u položaju za uključivanje može da dovede do nezgode.
- **Uklonite ključ za podešavanje ili francuski ključ pre uključivanja proizvoda.** Francuski ključ ili ključ koji ostanu pričvršćeni za obrtni deo proizvoda mogu da dovedu do telesne povrede.

- **Nemojte se preterano naginjati. Uvek budite oslonjeni na obe noge i pazite na ravnotežu.** To će vam omogućiti bolju kontrolu nad proizvodom u nepredviđenim situacijama.
- **Budite propisno odeveni. Nemojte da nosite nakit ili široku odeću. Vodite računa da vam kosa i odeća ne dođu u dodir sa pokretnim delovima.** Pokretni delovi mogu da zakače široku odeću, nakit ili dugu kosu.
- **Ukoliko su obezbeđeni uređaji za povezivanje aparata za izbacivanje ili sakupljanje prašine, proverite da li su povezani i da li se pravilno koriste.** Korišćenje aparata za prikupljanje prašine može da smanji broj kvarova koji su nastali usled prašine.
- **Nemojte dozvoliti da vam iskustvo koje ste stekli kroz čestu upotrebu proizvoda stvori osećaj samopouzdanja i da se ne pridržavate principa u vezi sa bezbednošću.** Nemarna radnja može da izazove teške povrede u deliću sekunde.

## Upotreba i održavanje proizvoda

- **Ne silite proizvod. Koristite proizvod koji odgovara nameni.** Adekvatan proizvod će bolje i sigurnije obaviti posao u meri za koju je napravljen.
- **Ne koristite proizvod ako ga prekidač ne uključuje ili ne isključuje.** Svaki proizvod koji ne može da se kontroliše putem prekidača je opasan i mora da se popravi.
- **Isključite utikač iz izvora električne energije i/ili uklonite akumulator, ako se može odvojiti, sa proizvoda pre nego što pristupite bilo kakvom podešavanju, promeni dodatne opreme ili skladištenju proizvoda.** Takve bezbednosne preventivne mere smanjuju rizik od slučajnog uključivanja proizvoda.
- **Proizvod koji se ne koristi čuvajte dalje od dohvata dece i nemojte da dozvoljavate rad sa alatom osobama koje nisu upoznate sa njim ili ovim uputstvima.** Proizvod je opasan kada njime rukuju neobučeni korisnici.
- **Održavajte proizvode i dodatke. Proverite da li su pokretni i vezni delovi pravilno postavljeni, da li postoje pukotine na delovima i sva druga stanja koja mogu uticati na rad proizvoda. Ukoliko je oštećen, proizvod odnesite na popravku pre korišćenja.** Mnoge nezgode su prouzrokovale loše održavani proizvodi.
- **Održavajte alat za sečenje ostrim i čistim.** Alat za sečenje koji se pravilno održava i ima oštre rezne vrhove se ređe krivi i lakše kontroliše.
- **Proizvod, pribor, delove alata itd. koristite u skladu sa ovim uputstvima uzimajući u obzir radne uslove i posao koji treba da se obavi.** Korišćenje proizvoda za operacije za koje nije namenjen može da dovede do opasnih situacija.
- **Ručke i prihvatne površine bi trebalo da budu suve, čiste i bez ostatka ulja i maziva.** Klizave ručke i prihvatne površine ne omogućavaju bezbedno rukovanje i kontrolu proizvoda u neočekivanim situacijama.

## Upotreba i održavanje akumulatorskog alata

- **Punite samo punjačem koji je naznačen od strane proizvođača.** Punjač koji je odgovarajući za jedan tip akumulatora može stvoriti rizik od požara kada se koristi sa drugim akumulatorom.
- **Koristite proizvode samo sa posebno naznačenim akumulatorima.** Korišćenje drugih akumulatora može stvoriti rizik od telesne povrede i požara.
- **Kad se akumulator ne koristi držite ga dalje od metalnih predmeta, kao što su spajalice, novčići, ključevi, ekseri, zavrtnji ili slični mali metalni predmeti koji mogu da naprave spoj između polova akumulatora.** Kratko spajanje polova akumulatora može da izazove opekotine ili požar.
- **U opasnim uslovima, tečnost može da prsne iz akumulatora; izbegavajte kontakt. Ako do kontakta slučajno dođe, isperite to mesto vodom. Ako tečnost dođe u kontakt sa očima, dodatno potražite lekarsku pomoć.** Tečnost koja prsne iz akumulatora može da prouzrokuje iritaciju ili opekotine.
- **Ne koristite akumulatore i uređaje koji su oštećeni ili modifikovani.** Oštećeni ili modifikovani akumulatori mogu biti nepredvidivi što može dovesti do vatre, eksplozije ili rizika od povrede.
- **Akumulator ili uređaj nemojte da izlažete vatri ili previsokoj temperaturi.** Izlaganje vatri ili temperaturi iznad 130 °C / 265 °F može dovesti do eksplozije.
- **Pridržavajte se svih uputstava za punjenje i nemojte da puniti akumulator ili uređaj izvan opsega temperature koji je naveden u uputstvima.** Nepravilno punjenje ili temperature izvan navedenog opsega mogu oštetiti akumulator i povećati rizik od požara.

## Usluga

- **Servisiranje proizvoda poverite kvalifikovanom serviseru koji isključivo koristi iste rezervne delove.** Tako ćete biti sigurni u očuvanje bezbednosti proizvoda.
- **Nikad ne servisirajte oštećene akumulatore.** Servisiranje akumulatora treba da vrše samo proizvođač ili ovlašćeni serviseri.

## Bezbednosna upozorenja za proizvod

- **Nemojte koristiti proizvod po lošim vremenskim uslovima, naročito kada postoji opasnost od groma.** Time se smanjuje rizik od udara groma.
- **Temeljito pregledajte oblast u pogledu faune tamo gde će se proizvod koristiti.** Proizvod može tokom rada prouzrokovati povrede životinja.
- **Pažljivo pregledajte oblast u kojoj će se proizvod koristiti i uklonite sve kamenje, grane, žice, kosti i ostale strane predmete.** Izbačeni predmeti mogu da nanesu telesne povrede.
- **Pre korišćenja proizvoda, uvek vizuelno proverite nožve i sklop zubaca da biste videli jesu li pohabani ili oštećeni.** Pohabani i oštećeni delovi povećavaju rizik od povrede.



- **Često proveravajte da li je sakupljač trave pohaban ili istrošen.** Pohaban ili oštećen hvatač trave povećava rizik od povrede.
- **Vodite računa da štitnici budu postavljani. Štitnici moraju biti u radnom stanju i propisno postavljani.** Štitnik koji je labav, oštećen ili ne funkcioniše ispravno može dovesti do povrede.
- **Održavajte sve ulaze vazduha za hlađenje čistim od otpadaka.** Blokirani ulazi, vazduha i otpaci mogu da izazovu prekomerno zagrevanje ili rizik od požara.
- **Dok rukujete proizvodom, uvek nosite neklizajuću i zaštitnu obuću. Ne rukujte proizvodom bosi ili u otvorenim sandalima.** Time se smanjuje mogućnost povrede stopala usled kontakta sa zupcima koji se okreću.
- **Dok rukujete proizvodom, uvek nosite duge nogavice.** Izložena koža povećava verovatnoću povrede izbačenim predmetima.
- **Ne koristite proizvod u mokroj travi. Hodajte, ne trčite.** Time se smanjuje rizik od klizanja i pada koji može da dovede do povrede.
- **Nemojte rukovati proizvodom na previše strmim nagibima.** Tako ćete smanjiti rizik od gubitka kontrole, klizanja i pada koji može da dovede do povrede.
- **Prilikom rada na nagibima, uvek obezbedite dobar oslonac stopala, uvek radite koso preko nagiba, nikada nagore ili nadole i budite naročito pažljivi kad se okrećete.** Tako ćete smanjiti rizik od gubitka kontrole, klizanja i pada koji može da dovede do povrede.
- **Vodite računa kad se krećete unazad ili vučete proizvod ka sebi. Uvek vodite računa o okruženju.** Tako se smanjuje rizik od saplitanja tokom rada.
- **Držite proizvod samo za izollirane prihvatne površine tokom provođenja radova pri kojima zupci mogu da dođu u kontakt sa sakrivenim kablovskim svežnjem ili kablom.** Zupci koji dođu u kontakt sa žicom pod naponom mogu da učine da izloženi metalni delovi proizvoda dođu pod napon i dovedu do strujnog udara rukovaoca.
- **Ne dodirujte zupce i ostale opasne pokretne delove sve dok se kreću.** Time se smanjuje rizik od povrede pokretnim delovima.
- **Prilikom uklanjanja zaglavljenog materijala ili čišćenja proizvoda, uverite se da su svi prekidači za pokretanje isključeni i da je baterija odvojena.** Neočekivan rad proizvoda može da dovede do teških telesnih povreda.

## Opšta bezbednosna uputstva



**UPOZORENJE:** Pročitajte upozoravajuća uputstva koja slede pre korišćenja proizvoda.

- Proizvod je opasan ako se koristi na nepravilan način ili ako niste oprezni. Može doći do telesne

povrede ili smrti ako se ne pridržavate bezbednosnih uputstava.

- Ovaj proizvod pri radu stvara elektromagnetno polje. Ovo polje u određenim uslovima može da izazove smetnje na aktivnim i pasivnim medicinskim implantatima. Kako bi se smanjio rizik od teških ili smrtnih povreda, preporučujemo osobama koje imaju medicinske implantate da se pre upotrebe ovog uređaja konsultuju sa lekarom ili proizvođačem implanta.
- Uvek budite pažljivi i koristite zdrav razum. Ako niste sigurni kako da rukujete proizvodom u određenoj situaciji, prekinite rad i obratite se Husqvarna prodavcu pre nastavka rada.
- Imajte na umu da će se rukovalac smatrati odgovornim za nesrećne slučajeve koji uključuju druge osobe ili njihovu imovinu.
- Održavajte proizvod čistim. Pobrinite se da jasno možete pročitati znakove i nalepnice.
- Nikada nemojte dozvoliti deci ili osobama koje nisu pročitale ova uputstva da koriste uređaj. Uzrast rukovaoca je možda ograničen lokalnim propisima.
- Uvek nadzirite osobu sa smanjenim fizičkim ili mentalnim sposobnostima koja koristi proizvod. Odgovorna odrasla osoba mora biti prisutna sve vreme.
- Nemojte koristiti proizvod kada ste umorni, bolesni ili pod uticajem alkohola, droge ili lekova. To negativno utiče na vaš vid, opreznost, koordinaciju i rasuđivanje.
- Nemojte koristiti uređaj ako je oštećen ili neispravan.
- Nemojte vršiti izmene na proizvodu i nemojte koristiti proizvod ako postoji mogućnost da su druge osobe vršile izmene na njemu.

## Bezbednost na radu



**UPOZORENJE:** Pročitajte upozoravajuća uputstva koja slede pre korišćenja proizvoda.

- Koristite proizvod samo za uklanjanje tača i mahovine sa travnjaka. Nije dozvoljeno njegovo korišćenje za druge zadatke.
- Koristite ličnu zaštitnu opremu. Pogledajte *Lična zaštitna oprema na stranici 386*.
- Naučite kako da brzo zaustavite motor u slučaju opasnosti.
- Nemojte raditi sa proizvodom po kiši ili u vlažnim uslovima. To može povećati rizik od strujnog udara.
- Nemojte raditi sa proizvodom ako zupci i svi poklopci nisu pravilno postavljani. Nepravilno postavljani zupci se mogu otkočiti i prouzrokovati telesnu povredu.
- Pobrinite se da zupci ne udaraju o predmete kao što su kamenje ili korenje. To može dovesti do njihovog oštećenja i savijanja osovine motora. Savijena osovina proizvodi velike vibracije i postoji povećana opasnost da se zupci olabave.

- Ako zupci udare o predmet ili ako se pojave vibracije, odmah zaustavite proizvod. Zaustavite motor, okrenite bezbednosni ključ u položaj 0 i uklonite bateriju. Sačekajte da se pokretni delovi zaustave. Pregledajte proizvod u pogledu oštećenja. Pritegnite labave delove. Popravite oštećenja, zamenite oštećene delove. Neka odobreni serviser obavi popravku.
- Nikada nemojte postavljati ručicu kočnice motora trajno na ručku kada je motor pokrenut.
- Postavite proizvod na stabilnu, ravnu površinu i pokrenite ga. Vodite računa da zupci ne dodiruju tlo ili druge predmete.
- Uvek stojte iza proizvoda kada radite sa njim.
- Vodite računa da svi točkici ostanu na tlu i držite dve ruke na ručki kada rukujete proizvodom. Udaljite šake i stopala od rotirajućih zubaca.
- Ne naginjte proizvod pri pokretanju motora i tokom rada.
- Budite pažljivi kada povlačite proizvod unazad.
- Nikada nemojte podizati proizvod kada je motor pokrenut. Ako morate podići proizvod, prvo zaustavite motor, okrenite bezbednosni ključ u položaj 0 i uklonite bateriju.
- Nemojte hodati unazad kada radite sa proizvodom.
- Zaustavite motor ako treba nagnuti ili preneti proizvod ili preko područja bez trave, na primer, stazica napravljenih od šljunka, kamena i asfalta.
- Nemojte trčati sa proizvodom kada je motor pokrenut. Uvek hodajte kada radite sa proizvodom.
- Zaustavite motor pre nego što promenite radnu dubinu. Nikada nemojte da vršite podešavanja dok je motor pokrenut.
- Nikada nemojte dozvoliti da proizvod ostane bez nadzora dok je motor pokrenut. Zaustavite motor, okrenite bezbednosni ključ u položaj 0 i uklonite bateriju. Uverite se da se prema za ditačer ne okreće.
- Vibracije tokom rada mogu da se razlikuju od vrednosti koja je navedena u *Tehnički podaci na stranici 393*. Odstupanje izazivaju razlike u načinu korišćenja proizvoda. Ako proizvod koristite često ili dugo, redovno pauzirajte da biste sprečili nastanak povreda od vibracija.

## Bezbednosna uputstva za rad

### Lična zaštitna oprema



**UPOZORENJE:** Pročitajte upozoravajuća uputstva koja slede pre korišćenja proizvoda.

- Lična zaštitna oprema ne može da u potpunosti spreči telesnu povredu, ali ona umanjuje stepen telesne povrede ako dođe do nesrećnog slučaja. Neka vam vaš prodavac pomogne u izboru odgovarajuće opreme.

- Nosite čvrste neklizajuće cizme ili cipele. Nemojte nositi obuću sa otvorenim prstima ili ići bosonogi.
- Uvek nosite duge pantalone od čvrstog materijala.
- Nosite zaštitne rukavice po potrebi, na primer, kada pričvršćujete, pregledate ili čistite opremu za košenje.
- Preporučujemo da koristite zaštitu za sluh.

## Bezbednosni uređaji na proizvodu



**UPOZORENJE:** Pročitajte upozoravajuća uputstva koja slede pre korišćenja proizvoda.

- Nemojte da koristite bezbednosne uređaje koji su oštećeni ili neispravni.
- Ne uklanjajte i ne prepravljajte bezbednosne uređaje.
- Redovno proveravajte bezbednosne uređaje. Ako su bezbednosni uređaji oštećeni ili neispravni, obratite se svom Husqvarna servisnim agentu.

### Pregled poklopaca

Poklopac ditačera smanjuje vibracije u proizvodu, kao i rizik od povrede od opreme za ditačer.

- Pregledajte bočni poklopac ditačera kako biste se uverili da nema oštećenja kao što su naprsline.
- Pregledajte zadnji poklopac kako biste se uverili da nema oštećenja kao što su naprsline.

### Ručica kočnice motora

Ručica kočnice motora zaustavlja motor. Kada je ručica kočnice motora otpuštena, motor se zaustavlja.

Da biste izvršili proveru kočnice motora, pokrenite motor a zatim otpustite ručicu kočnice motora. Ako se motor ne zaustavi u roku od 3 sekunde, neka ovlašćeni Husqvarna servisni agent izvrši podešavanje kočnice motora.

(Sl. 19)

### Bezbednosni ključ

Bezbednosni ključ se nalazi ispod poklopca baterije. Bezbednosni ključ se koristi za povezivanje baterije koji snabdeva motor napajanjem.

- Pokrenite i zaustavite motor da biste izvršili proveru bezbednosnog ključa.
- Ako bezbednosni ključ ispravno funkcioniše, motor se pokreće samo kada je ključ u položaju 1.

(Sl. 20)

### Provera inhibitora pokretanja

Izvršite proveru inhibitora pokretanja kako biste se uverili da sprečava rad motora.

1. Pritisnite ručicu kočnice motora u smeru upravljača. Inhibitor pokretanja zaustavlja kretanje.
2. Pritisnite inhibitor pokretanja ka spolja. (Sl. 21)

3. Otpustite inhibitor pokretanja i uverite se da se vraća u početni položaj.

## Bezbedna upotreba akumulatora



**UPOZORENJE:** Pročitajte upozoravajuća uputstva koja slede pre korišćenja proizvoda.

- Koristite Husqvarna punjive akumulatora kao izvor napajanja samo za odgovarajuće Husqvarna proizvode. Kako bi se sprečila telesna povreda, nemojte koristiti bateriju kao izvor napajanja za druge uređaje.
- Ne koristite baterije za jednokratnu upotrebu.
- Opasnost od strujnog udara. Nemojte povezivati terminale baterije na ključeve, kovanice, vijke ili druge metalne predmete. To može dovesti do kratkog spoja baterije.
- Nemojte stavljati predmete u proreze za vazduh baterije.
- Držite bateriju tako da ne bude izložen sunčevoj svetlosti, toploti ili otvorenom plamenu. Akumulator može da eksplodira i izazove opekotine i/ili hemijske opekotine.
- Držite bateriju tako da ne bude izložena kiši i vlažnim uslovima.
- Držite bateriju dalje od mikrotalasnih pećnica i visokog pritiska.
- Nemojte pokušavati da rastavite ili lomite bateriju.
- Ako baterija curi, ne dozvolite da vam ta tečnost dospe na kožu ili u oči. Ako ste dodirnuli tečnost, isperite površinu velikom količinom vode i obratite se doktoru.
- Akumulator u proizvodu koristite samo kad je temperatura okoline između 5 °C i 40 °C.
- Punjač akumulatora koristite samo kad je temperatura okoline između 5 °C i 40 °C.
- Akumulator se neće puniti ako mu je temperatura veća od 50 °C.
- Nemojte čistiti bateriju ili punjač baterija vodom. Pogledajte *Akumulator na stranici 391*.
- Nemojte koristiti oštećen akumulator.
- Držite akumulatora uskladištene tako da budu udaljeni od metalnih predmeta kao što su ekseri, kovanice, nakit.

## Bezbedna upotreba punjača baterije



**UPOZORENJE:** Pročitajte upozoravajuća uputstva koja slede pre korišćenja proizvoda.

- Koristite QC punjače baterije samo za punjenje Husqvarna zamenskih baterija.
- Opasnost od strujnog udara ili kratkog spoja. Nemojte stavljati predmete u proreze za vazduh punjača. Nemojte pokušavati da rasklopite punjač baterije. Nemojte povezivati terminale punjača

na metalne predmete. Koristite odobrenu mrežnu utičnicu.

- Ovaj proizvod pri radu stvara elektromagnetno polje. Ovo polje u određenim uslovima može da izazove smetnje na aktivnim i pasivnim medicinskim implantatima. U cilju smanjenja rizika od uslova od nastanka teških ili smrtnih povreda, preporučujemo osobama koje imaju medicinske implante da se pre upotrebe ovog uređaja konsultuju sa lekarom ili proizvođačem implanta.
- Redovno proveravajte da kabl za napajanje punjača baterije nije oštećen i da na njemu ne postoje naprsline.
- Nemojte podizati punjač baterije za kabl za napajanje. Da biste iskopčali punjač baterije sa mrežne utičnice, povucite utikač. Ne vucite kabl za napajanje.
- Držite kabl za napajanje i produžni kabl dalje od vode, ulja i oštih ivica. Uverite se da kabl nije priklješten vratima, ogradom ili sličnim stvarima. Time punjač može da dođe pod napon.
- Nemojte čistiti punjač baterije vodom.
- Ovaj punjač baterije mogu koristiti deca uzrasta 8 godina i starija i osobe sa smanjenim fizičkim, senzornim ili mentalnim sposobnostima ili nedostatkom iskustva i znanja ako su pod nadzorom ili su upućeni u pogledu korišćenja punjača baterije na bezbedan način i razumeju povezane opasnosti. Deca ne smeju da se igraju sa punjačem baterije. Deca ne smeju da čiste i održavaju uređaj bez nadzora.
- Nemojte puniti jednokratne baterije.
- Nemojte koristiti punjač baterije u blizini zapaljivih materijala ili materijala koji mogu da izazovu koroziju. Nemojte pokrivati punjač baterija. Izvucite utikač kabla iz punjača baterije ako se pojave dim ili vatra.
- Nemojte koristiti defektan ili oštećen punjač baterije.
- Bateriju puniti samo u zatvorenom prostoru u prostoriji sa dobrom ventilacijom i podalje od sunčeve svetlosti. Nemojte puniti bateriju u vlažnim uslovima.

## Bezbednosna uputstva za održavanje



**UPOZORENJE:** Pročitajte upozoravajuća uputstva koja slede pre korišćenja proizvoda.

- Kako biste sprečili slučajno pokretanje tokom održavanja, okrenite bezbednosni ključ u položaj 0 i uklonite bateriju. Sačekajte najmanje 5 sekundi pre nego što počnete da vršite održavanje.
- Pravilno vršite rad na održavanju kako biste povećali radni vek proizvoda i smanjili rizik od nesrećnih slučajeva. Neka ovlašćeni servisni agent izvrši stručne popravke. Obratite se najbližem servisnom agentu za više informacija.

- Vršite samo one radove na održavanju proizvoda koji su navedeni u ovom korisničkom uputstvu. Svaki veći rad mora da izvrši ovlašćeni servisni agent.
- Da biste sprečili povrede, ne uklanjajte i ne prepravljajte bezbednosne uređaje.
- Nosite čvrste rukavice kada koristite opremu za ditačer. Oprema za ditačer je veoma oštra i lako dolazi do posekotine.
- Održavajte zupce na opremi za ditačer oštroma i čistima kako biste dobili najbolje i najbezbednije performanse.
- Neka servisni agent redovno proverava proizvod i vrši potrebna podešavanja i popravke.
- Zamenite oštećene, pohabane ili pokvarene delove. Uvek koristite originalne rezervne delove proizvođača. Ostali rezervni delovi mogu da oštete proizvod i povećavaju rizik od nezgoda.
- Pridržavajte se uputstava za zamenu opreme. Koristite samo opremu od proizvođača.
- Kada se ne koriste, čuvajte proizvod, bateriju i punjač baterije odvojeno na suvom i zaključanom zatvorenom mestu. Pobrnite se da deca i neovlašćene osobe ne mogu imati pristup proizvodu, bateriji ili punjaču baterije.

---

## Sklopanje

---

### Uvod



**UPOZORENJE:** Pre sklopanja proizvoda, pročitajte poglavlje o bezbednosti.



**UPOZORENJE:** Kako biste sprečili slučajno pokretanje tokom sklopanja, okrenite bezbednosni ključ u položaj 0, uklonite bateriju i sačekajte najmanje 5 sekundi.

### Sklopanje ručke

1. Olabavite donju dugmad.
2. Pomerite dugmad u donji kraj žlebova na levoj i desnoj strani proizvoda. (Sl. 22)
3. Stavite ručku u jedan od 2 položaja za visinu.

4. Pomerite dugmad nagore u smeru ručke dok se ne zaustave i ne čujete klik zvuk. (Sl. 23)
5. Potpuno zategnite dugmad.

### Sklopanje hvatača trave

1. Postavite ram hvatača trave na vreću za travu tako da krut deo vreće bude na dnu. Ručica rama treba da bude na vrhu vreće za travu. (Sl. 24)
2. Postavite donji deo rama hvatača trave u žleb na dnu hvatača trave.
3. Pričvrstite okvir vreće za travu spojnicama. (Sl. 25)
4. Podignite zadnji poklopac.
5. Pomerite hvatač trave u odgovarajući položaj. (Sl. 26)
6. Pričvrstite hvatač trave na gornju ivicu šasije. Uverite se da zadnji poklopac dobro naleže na hvatač trave kako bi se sprečilo curenje. (Sl. 27)

---

## Rukovanje

---

### Uvod



**UPOZORENJE:** Pre rada sa proizvodom, morate pročitati i razumeti poglavlje o bezbednosti.

### Husqvarna Connect

Husqvarna Connect je besplatna aplikacija za mobilne uređaje. Aplikacija Husqvarna Connect pruža proširene funkcije za proizvod Husqvarna:

- Dodatne informacije o proizvodu.
- Informacije o delovima proizvoda i servisiranju i pomoći u vezi s njima.

### Da biste počeli koristiti Husqvarna Connect

1. Preuzmite aplikaciju Husqvarna Connect na svoj mobilni uređaj.

2. Registrujte se u aplikaciji Husqvarna Connect.
3. Pratite uputstva u aplikaciji Husqvarna Connect da biste se spojili i registrovali proizvod.

### Podešavanje radne dubine



**UPOZORENJE:** Nemojte podešavati radnu dubinu dok rukujete proizvodom.

1. Pritisnite i okrenite dugme za podešavanje radne dubine suprotno kretanju kazaljke na satu da biste povećali radnu dubinu.
2. Pritisnite i okrenite dugme za podešavanje radne dubine u pravcu kazaljke na satu da biste smanjili radnu dubinu. (Sl. 28)

## Akumulator



**UPOZORENJE:** Pre korišćenja akumulatora, morate pročitati i razumeti poglavlje o bezbednosti. Takođe morate pročitati i razumeti korisničko uputstvo za akumulator i punjač akumulatora.

Akumulator i punjač akumulatora čuvajte na odgovarajućoj temperaturi.

	Temperatura sredine
Radni opseg akumulatora	5 °C – 40 °C
Punjenje akumulatora	5 °C – 40 °C

### Status baterije

Displej prikazuje preostali kapacitet akumulatora kao i da li postoje problemi sa akumulatorom. Pritisnite dugme indikatora akumulatora kako biste dobili informacije o statusu punjenja akumulatora. Simbol upozorenja na akumulatoru se prikazuje kada je došlo do greške. Pogledajte *Akumulator na stranici 391*.

(Sl. 29)

LED svetla	Status baterije
Sve LED lampice svetle	Potpuno napunjeno (76–100%)
LED br. 1, LED br. 2, LED br. 3 svetle	Akumulator je 51–75% napunjen
LED br. 1, LED br. 2 svetle	Akumulator je 26–50% napunjen
LED br. 1 svetli	Akumulator je 6–25% napunjen.
LED br. 1 trepće	Akumulator je 0–5% napunjen.

### Punjenje akumulatora

Napunite akumulator pre prvog korišćenja. Akumulator je samo 30% napunjen prilikom isporuke kupcu.

**Napomena:** Punjač akumulatora je potrebno povezati na napon i frekvenciju navedenu na nazivnoj ploči.

Akumulator se ne puni ako je temperatura akumulatora iznad 50 °C. Punjač akumulatora smanjuje temperaturu akumulatora pre početka punjenja.

1. Povežite jedan kraj kabla za napajanje za punjač akumulatora u utičnicu punjača akumulatora.

2. Povežite drugi kraj kabla za napajanje za punjač akumulatora u uzemljenu mrežnu utičnicu. LED lampica na punjaču akumulatora trepće zeleno jedanput. (Sl. 30)
3. Stavite akumulator u punjač akumulatora. Zelena lampica na punjaču svetli kada je akumulator ispravno povezan na punjač akumulatora. (Sl. 31)
4. Akumulator je potpuno napunjen kada na njemu svetle sve LED lampice. Punite akumulator najviše 24 sata.
5. Da biste iskopčali punjač akumulatora iz mrežne utičnice, povucite utikač, a ne kabl za napajanje.
6. Izvadite akumulator iz punjača akumulatora.

### Pokretanje proizvoda

1. Napunjen akumulator stavite u odeljak za akumulator broj 1 ispod poklopca akumulatora. Za duže vreme rada, stavite drugi napunjen akumulator u odeljak za akumulator broj 2.
2. Okrenite bezbednosni ključ u položaj 1. (Sl. 32)
3. Stanite iza proizvoda.
4. Pritisnite dugme za uključivanje/isključivanje (ON/OFF) (A) na kontrolnoj tabli i zelena LED lampica (B) se uključuje. (Sl. 33)
5. Olabavite inhibitor pokretanja. (Sl. 34)
6. Pritisnite ručicu kočnice motora u smeru upravljača. (Sl. 35)

### Korišćenje funkcije Save

Proizvod ima funkciju uštede akumulatora (Save) koja pruža duže vreme rada.

1. Pritisnite dugme Save (A) da biste pokrenuli funkciju. Zelena LED lampica svetli. (Sl. 36)
2. Ponovo pritisnite dugme Save da biste zaustavili funkciju. Zelena LED lampica (B) se isključuje.

### Funkcija velikog opterećenja

Kada se proizvodom kosi visoka ili vlažna trava, motor automatski povećava broj obrtaja. Motor se vraća u standardni režim kada veliko opterećenje nije potrebno.

### Zaustavljanje motora

Tokom rada, nož i motor mogu da se privremeno zaustave zbog prepreka kao što su zapušenje travom ispod poklopca košenja. Ako dođe do toga, i držite pritisnutu ručicu kočnice motora, proizvod će probati da se automatski ponovo pokrene. Ako se proizvod ne pokrene ponovo za 5–10 sekundi, treba očistiti prostor ispod poklopca košenja. Pogledajte *Čišćenje proizvoda na stranici 391*.



**UPOZORENJE:** Ako se motor zaustavi, proizvod će probati da se automatski ponovo pokrene za 5–10

sekundi. Sačekajte najmanje 15 sekundi pre nego što proverite poklopac košenja.



**UPOZORENJE:** Pre provere poklopca košenja pustite ručicu kočnice motora, okrenite bezbednosni ključ u položaj 0, uklonite akumulator i sačekajte najmanje 5 sekundi. Rizik od povrede ako se prepreka ukloni i proizvod slučajno proradi.

ostane bez nadzora dok je motor pokrenut. Zaustavite motor, okrenite bezbednosni ključ u položaj 0 i uklonite bateriju. Uverite se da se oprema za ditačer ne okreće.

1. Otpustite ručicu kočnice motora da biste zaustavili motor. (Sl. 37)
2. Pritisnite dugme ON/OFF (A) na kontrolnoj tabli i zelena LED lampica (B) se isključuje. (Sl. 33)
3. Otvorite poklopac baterije i okrenite bezbednosni ključ u položaj 0. (Sl. 38)
4. Da biste uklonili bateriju, pritisnite 2 dugmeta za otpuštanje u isto vreme i izvucite bateriju. (Sl. 39)
5. Napunite bateriju ako je prazna. Za više informacija, pogledajte *Punjenje akumulatora na stranici 389*.

## Zaustavljanje proizvoda

Proizvod se automatski zaustavlja ako ne radite sa njim tokom 10 minuta. Nikada nemojte dozvoliti da proizvod

## Održavanje

### Uvod



**UPOZORENJE:** Pre održavanja, morate pročitati i razumeti poglavlje o bezbednosti.

Za sva servisiranja i popravke proizvoda, potrebna je specijalna obuka. Garantujemo dostupnost stručnih popravki i servisiranja. Ako vaš prodavac nije servisni agent, obratite mu se za informacije o najbližem servisnom agentu.

Za detaljnije informacije pogledajte [www.husqvarna.com](http://www.husqvarna.com).

### Šema održavanja

Intervali održavanja su izračunati na osnovu svakodnevnog korišćenja proizvoda. Intervali se menjaju ako se proizvod ne koristi svakodnevno.

Za održavanje označeno sa \*, pogledajte *Bezbednosni uređaji na proizvodu na stranici 386*.

S 138i	Svaka upotreba	Mesečno	Svaka sezona
Izvršite generalni pregled.	X		
Očistite proizvod.	X		
Pregledajte opremu za ditačer.	X		
Uverite se da bezbednosni uređaji na proizvodu nisu neispravni. *	X		
Pregledajte poklopce. *	X		
Proverite ručicu kočnice motora. *	X		
Proverite inhibitor pokretanja. *	X		
Uverite se da dugme ON/OFF ispravno radi i da nije defektno.	X		
Pregledajte bateriju u pogledu oštećenja.	X		
Proverite punjenje baterije.	X		
Uverite se da dugmad za otpuštanje na bateriji ispravno radi i da baterija pravilno stoji u proizvodu.	X		
Pregledajte punjač baterije u pogledu oštećenja i uverite se da ispravno radi.		X	
Pregledajte konektore između baterije i proizvoda. Takođe pregledajte konektore između baterije i punjača baterije.			X

## Vršenje opšteg pregleda

- Uverite se da su navrtke i zavrtnji na proizvodu zategnuti.
- Uverite se da kablovi na proizvodu nisu u položaju u kojem se mogu oštetiti.

## Čišćenje proizvoda

- Očistite plastične delove čistom i suvom krpom.
- Nemojte čistiti proizvod vodom. Voda može da prođe u akumulator ili motor i izazove kratak spoj ili oštećenje proizvoda.
- Nemojte da koristite čistač pod visokim pritiskom za čišćenje proizvoda.
- Nemojte direktno ispirati motor vodom.
- Uklonite lišće, travu i prljavštinu pomoću četke.

## Čišćenje akumulatora i punjača akumulatora



**UPOZORENJE:** Nemojte čistiti akumulator ili punjač akumulatora vodom.



**UPOZORENJE:** Nemojte da koristite hemijske supstance za čišćenje akumulatora.

- Uverite se da su akumulator i punjač akumulatora čisti i suvi pre stavljanja akumulatora na punjač akumulatora.
- Očistite terminale akumulatora komprimovanim vazduhom ili pomoću meke i suve krpe.

- Očistite površine akumulatora i punjača akumulatora pomoću meke i suve krpe.

## Pregled opreme za ditačer



**UPOZORENJE:** Kako biste sprečili slučajno pokretanje, okrenite bezbednosni ključ u položaj 0, uklonite bateriju i sačekajte najmanje 5 sekundi.



**UPOZORENJE:** Nosite zaštitne rukavice kada vršite održavanje na opremi za ditačer. Zupci na opremi za ditačer su veoma oštri i lako dolazi do posekotina.

- Pregledajte opremu za ditačer u pogledu oštećenja ili naprsina. Uvek zamenite oštećenu opremu za ditačer.

## Zamena opreme za ditačer



**UPOZORENJE:** Nosite zaštitne rukavice kada vršite održavanje na opremi za ditačer. Oprema za ditačer je veoma oštra i lako dolazi do posekotina.

1. Postavite proizvod na njegovu desnu stranu. (Sl. 40)
2. Uklonite 2 zavrtnja (A) i poklopac ditačera (B). Pritisnite opremu za ditačer (C) nagore i izvan kako biste je uklonili. (Sl. 41)
3. Pritisnite novu opremu za ditačer (C) u žleb i nadole u otvor. Postavite poklopac ditačera (B) i 2 zavrtnja (A). (Sl. 42)

## Rešavanje problema

### Akumulator

LED lampice na akumulatoru	Uzrok	Rešenje
Zelena LED lampica trepće.	Napon akumulatora je nizak.	Napunite bateriju. Pogledajte <i>Punjenje akumulatora na stranici 389</i> .
LED lampica greške akumulatora trepće.	Akumulator je previše hladan ili previše vruć za korišćenje.	Pustite da se baterija ohladi ili je unesite u zatvoreni prostor da se zagreje. Kada baterija dostigne ispravnu temperaturu, možete je ponovo koristiti. Akumulator u proizvodu koristite samo kad je temperatura okoline između 5 °C i -40 °C.
	Akumulator je prazan.	Napunite bateriju. Pogledajte <i>Punjenje akumulatora na stranici 389</i> .
LED lampica greške na akumulatoru se uključuje.	Javila se trajna greška akumulatora.	Obratite se Husqvarna serviseru.

## Punjač akumulatora

LED lampice na punjaču baterije	Uzrok	Rešenje
LED lampica greške trepće ili se uključuje.	Punjač akumulatora je previše hladan ili previše vruć za korišćenje.	Pustite da se akumulator ohladi ili ga unesite u zatvoreni prostor da se zagreje. Kada ounjča akumulatora dostigne ispravnu temperaturu, možete ga ponovo koristiti. Punjač akumulatora koristite kad je temperatura okoline između 5 °C i -40 °C.
	Druge greške.	Obratite se Husqvarna serviseru.

## Kontrolna tabla

Greška	Kôd greške (broj treptaja)	Moguće greške	Moguća radnja
LED lampica greške trepće	3.	Motor je preopterećen.	Smanjite radnu dubinu. Pogledajte <i>Pod-ešavanje radne dubine na stranici 388</i> . Ako LED lampica greške nastavi da trepće, oprema za ditačer je blokirana. Kako biste sprečili slučajno pokretanje, okrenite bezbednosni ključ u položaj 0, uklonite bateriju i sačekajte najmanje 5 sekundi. Uverite se da se oprema za ditačer može slobodno okretati. Ako problem nastavi da se pojavljuje, obratite se ovlašćenom servisnom agentu.
	5	Brzina motora prekomerno opada i motor se zaustavlja.	
	9.	Kontrola motora je prevruća.	
	7.	Greška baterije ili nema signala sa baterije.	
		Baterija je slaba.	Napunite bateriju. Pogledajte <i>Punjenje akumulatora na stranici 389</i> .
Proizvod se zaustavlja	6.	Baterija je slaba.	Napunite bateriju. Pogledajte <i>Punjenje akumulatora na stranici 389</i> .
	Ne trepće.	Kvar konektora baterije.	Pregledajte konektor baterije.
Druge greške	Ako se pojave druge greške, okrenite bezbednosni ključ u položaj 0, uklonite bateriju i obratite se ovlašćenom servisnom agentu.		

## Transport, skladištenje i odlaganje

### Uvod



**UPOZORENJE:** Kako biste sprečili slučajno pokretanje tokom transporta i skladištenja, okrenite bezbednosni ključ u položaj 0, uklonite akumulator i sačekajte najmanje 5 sekundi.

### Transport

- Zahtevi u pogledu transporta opasnih materija primenjuju se na sadržane litijum-jonske akumulateore.
- Za komercijalni transport moraju se poštovati posebni zahtevi koji su navedeni na pakovanju i nalepnicama.



- Pobrinite se da se pridržavate propisa za transport opasnih materija prilikom pripreme proizvoda za transport. Lokalni propisi se mogu primenjivati.
- Uvek uklonite akumulator pre transporta.
- Stavite traku na konektore akumulatora i uverite se da se akumulator ne može pomerati tokom transporta.
- Fiksirajte proizvod tokom transporta.
- Pobrinite se da je baterija napunjena na 30%–50% pre skladištenja na duži vremenski period.
- Čuvajte proizvod, bateriju i punjač baterije na zaključanom mestu izvan domašaja dece i neovlašćenih osoba.
- Očistite proizvod i uverite se da je hvatač trave prazan.
- Obavljajte poslove održavanja opisane u ovom korisničkom uputstvu. Pogledajte *Šema održavanja na stranici 390*.
- Izvršite kompletno servisiranje pre nego što uskladištite proizvod na duži vremenski period.

## Skladištenje

- Uvek uklonite baterije pre skladištenja.
- Sačekajte da se proizvod ohladi pre nego što ga uskladištite.
- Kako bi se sprečili nesrećni slučajevi, uverite se da baterija nije povezana na proizvod tokom skladištenja.
- Držite punjač baterije u zatvorenom i suvom prostoru.
- Držite bateriju i punjač baterije u suvom prostoru gde nema vlage ili mraza.
- Iskopčajte bateriju sa punjača baterije tokom skladištenja.
- Ne čuvajte bateriju na mestima gde može doći do statičkog pražnjenja. Ne čuvajte bateriju u metalnoj kutiji.
- Čuvajte proizvod na mestu gde je temperatura okoline između -10 °C i 40 °C.
- Čuvajte bateriju na mestu gde je temperatura okoline između 5 °C i 25 °C i van direktne sunčeve svetlosti.
- Čuvajte punjač baterije na mestu gde je temperatura okoline između 5 °C i 45 °C i van direktne sunčeve svetlosti.

## Odlaganje

Simboli na proizvodu ili njegovom pakovanju ukazuju na to da se ovim proizvodom ne može rukovati kao otpadom iz domaćinstva. On se mora odneti u odgovarajući reciklažni pogon za obnavljanje električne i elektronske opreme.

Starajući se da se na odgovarajući način pobrinite za ovaj proizvod, možete da pomognete da se ublaži mogući negativni uticaj na životnu sredinu i ljude, do kojeg bi u suprotnom došlo u slučaju nepravilnog odlaganja ovog proizvoda na otpad. Za detaljnije informacije o recikliranju ovog proizvoda, obratite se vašoj opštini, „Gradskoj čistoći“ ili osoblju u prodavnici u kojoj ste proizvod kupili.

(Sl. 43)

## Tehnički podaci

### Tehnički podaci

<b>S 138i</b>	
<b>Motor</b>	
Tip motora	BLDC (bez četkica) 36 V
Brzina dodatka – SavE, o/min	3000
Brzina dodatka – nominalna, o/min	3200
Izlazna snaga motora – maks. kW	1,28
Izlazna snaga motora – nominalna, kW	0,9
<b>Težina</b>	
Masa bez kese (bez baterije), kg	19,5
Masa sa kesom (sa 1 x BLi30), kg	23.
<b>Baterija</b>	
Vrsta baterije	Husqvarna serija baterije

<b>S 138i</b>	
<b>Vreme rada baterije</b>	
Vreme rada baterije, min, (slobodan rad) sa aktiviranom funkcijom SavE, sa jednom Husqvarna 7,5 Ah baterijom (BLi30).	195
Vreme rada baterije, min, (slobodan rad) sa aktiviranim standardnim režimom, sa jednom Husqvarna 7,5 Ah baterijom (BLi30).	175
<b>Emisija buke</b> <sup>70</sup>	
Nivo zvučne snage, mereno dB (A)	89
Nivo zvučne snage, garantovano L <sub>WA</sub> dB (A)	91
<b>Nivoi zvuka</b> <sup>71</sup>	
Nivo zvučnog pritiska na uho rukovaoca, dB (A)	75
<b>Nivoi vibracije</b> <sup>72</sup>	
Ručka, m/s <sup>2</sup>	5,5
<b>Rad</b>	
Maks./min. radna dubina, mm	-8/+5
Radna dubina, cm	37,5
Dodatak zubaca sečiva	5973510-01
Dodatak opružnih zubaca	5973509-01
Kapacitet hvatača trave, litara	45.

Odobrena baterija	Tip	Kapacitet baterije, Ah	Napon, V	Težina, lb/kg
BLi30	Litijum-jonska	7,5	36.	4,2/1,9
40-B140	Litijum-jonska	4,0	36.	2,6/1,2

Odobreni punjači za navedene baterije, BLI	Ulazni napon, V	Frekvencija, Hz	Snaga, W
40-C80	100–240	50–60	68,8
QC250	220–240	50.	250

<sup>70</sup> Emisije buke u životnoj sredini merene kao zvučna snaga (L<sub>WA</sub>) u skladu sa direktivom 2000/14/EZ.

<sup>71</sup> Prijavljeni podaci o nivou pritiska buke imaju nepouzdanost (K) od 1,5 dB(A).

<sup>72</sup> Prijavljeni podaci o nivou vibracije imaju nepouzdanost (K) od 1,5 m/s<sup>2</sup>. Deklarisana ukupna jačina vibracija izmerena je u skladu sa standardom EN 62841-4-7, Aneks I, i može da se koristi za poređenje mašina i za preliminarnu ocenu izloženosti.

---

## Deklaracija o usaglašenosti

---

## EU deklaracija o usaglašenosti

Mi, **Husqvarna AB**, SE-561 82 Huskvarna, Švedska, tel: +46-36-146500, izjavljujemo pod punom odgovornošću da je proizvod:

<b>Opis</b>	Zasekač
<b>Marka</b>	Husqvarna
<b>Tip/model</b>	S 138i
<b>Identifikacija</b>	Serijski brojevi od 2023. i nadalje

su u potpunosti usaglašeni sa sledećim EU direktivama i propisima:

Direktiva/propis	Opis
2011/65/EU	„koji se odnose na ograničenje upotrebe određenih opasnih supstanci u električnoj i elek-tronskoj opremi“
2006/42/EC	"koji se odnose na mašine"
2014/30/EU	„koji se odnose na elektromagnetsku kompatibilnost“
2000/14/EC	„koji se odnose na emisiju buke u okruženju“

i da su sledeći standardi i/ili tehničke specifikacije primenjeni: EN 62841-1:2015/A11:2022, EN IEC 62841-4-7:2022/A11:2022, EN ISO 12100:2010, EN 55014-1:2017/A11:2020, EN 55014-2:2015, EN IEC 63000:2018.

Za informacije o emisiji buke pogledajte *Tehnički podaci na stranici 393*.

Huskvarna, 2023-12-30



Claes Losdal

Menadžer razvoja / baštenski proizvodi

Husqvarna AB

Odgovoran za tehničku dokumentaciju



---

## Innehåll

---

Introduktion.....	397	Felsökning.....	406
Säkerhet.....	398	Transport, förvaring och kassering.....	407
Montering.....	403	Tekniska data.....	408
Drift.....	403	Försäkran om överensstämmelse.....	410
Underhåll.....	405		

---

## Introduktion

---

### Produktbeskrivning

Produkten är en eldriven vertikalskärare som styrs av en gående person. Produkten tar bort dött gräs och luckrar upp jorden så att luft och vatten kan tränga in i gräsmattan. Det döda gräset samlas i en gräsuppsamlare eller släpps ut på gräsmattan. Produkten har två typer av vertikalskärningsutrustning.

### Vertikalskärningsutrustning

Se *Byta ut vertikalskärningsutrustningen på sida 406* för information om hur vertikalskärningsutrustningen byts ut.

### Bladknivar

Bladknivarna tar bort dött gräs och kapar gräsrötterna vertikalt. Använd bladknivarna i sluttningar, på avsatser

### Produktöversikt

(Fig. 1)

1. Motorbromsbygel
2. Övre handtag
3. Reglagepanel
4. Startspärr
5. Undre handtag
6. Gräsuppsamlare
7. Bakre kåpa
8. Vertikalskärarkåpa
9. Batterilock
10. Inställningsvred för arbetsdjup
11. Säkerhetsnyckel
12. PÅ/AV-kontrollampa
13. PÅ/AV-knapp
14. SavE-knapp
15. SavE-kontrollampa
16. Batteriladdningsindikator och batteriknapp
17. Fjäderknivar
18. Batteri (tillbehör)
19. Batteriladdare (tillbehör)
20. Insexnyckel
21. Bruksanvisning

och i jordar med hög lerhalt. Bladknivar gör att vatten kan tränga ner i gräsmattan och förhindrar vattenansamling vid ytan.

(Fig. 17)

### Fjädertänder

Fjädertänderna tar varsamt bort gräsrester utan att skada gräsrötterna.

(Fig. 18)

### Avsedd användning

Använd produkten för att ta bort dött gräs och mossa och för att luckra upp jorden i trädgården. Använd inte produkten till andra uppgifter.

### Symboler på produkten

(Fig. 2)      WARNING

(Fig. 3)      Läs instruktionerna.

(Fig. 4)      WARNING! Se upp för föremål som slungas iväg.

(Fig. 5)      Håll kringstående på avstånd.

(Fig. 6)      WARNING! Håll händer och fötter borta från knivarna.

(Fig. 7)      Koppla bort batteriet före underhåll.

(Fig. 8)      Utsätt inte för regn.

(Fig. 9)      Produkten har skydd mot vattenstänk.

(Fig. 10)      Produkten överensstämmer med gällande EG-direktiv.

(Fig. 11)      Denna produkt överensstämmer med gällande brittiska direktiv.

(Fig. 12) Miljömärkning för bulleremission enligt direktiv och bestämmelser för EU och Storbritannien samt New South Wales-lagen "Protection of the Environment Operations (Noise Control) Regulation 2017". Produktens garanterade ljudeffektnivå anges i *Tekniska data på sida 408* och på etiketten.

(Fig. 15) Återvinn produkten vid en återvinningsstation för elektrisk och elektronisk utrustning. (Gäller endast Europa)

(Fig. 16) Startprocedur: Tryck på PÅ/AV-knappen, lyft på startspärren och tryck ner motorbromsbygeln.

(Fig. 13) Stoppa genom att släppa motorbromsbygeln.

(Fig. 14) Kod som kan skannas.

---

**Notera:** Övriga symboler/etiketter på produkten avser specifika krav för certifieringar på vissa marknader.

---

## Produktskada

Vi ansvarar inte för skador på vår produkt om:

- produkten repareras felaktigt
- produkten repareras med delar som inte kommer från tillverkaren eller inte har godkänts av tillverkaren
- produkten har ett tillbehör som inte kommer från tillverkaren eller inte har godkänts av tillverkaren
- produkten inte repareras vid ett godkänt servicecenter eller av en godkänd person.

---

## Säkerhet

---

### Säkerhetsdefinitioner

Varningar, försiktighetsåtgärder och anmärkningar används för att betona speciellt viktiga delar i bruksanvisningen.



**VARNING:** Används om det finns risk för skador eller dödsfall för användaren eller kringstående om anvisningarna i bruksanvisningen inte följs.



**OBSERVERA:** Används om det finns risk för skada på produkten, annat material eller det angränsande området om anvisningarna i bruksanvisningen inte följs.

**Notera:** Används för att ge mer information som är nödvändig i en viss situation.

### Allmänna säkerhetsvarningar



**VARNING:** Gå igenom alla säkerhetsvarningar, instruktioner, illustrationer och specifikationer som medföljer produkten. Om du inte följer instruktionerna nedan kan det leda till elektriska stötar, brand och/eller allvarliga skador.

**Spara alla varningar och instruktioner som referens.** I varningarna syftar begreppet "produkten" på en produkt som antingen är ansluten till en strömkälla (med sladd) eller drivs av batteri (sladdlöst).

### Säkerhet i arbetsområdet

- **Arbetsområdet ska hållas välordnat och välbelyst.** I rörliga eller mörka arbetsområden händer det lätt olyckor.
- **Använd inte produkten i explosiva miljöer, t.ex. i närvaro av brandfarliga vätskor, gaser eller damm.** Gnistor från produkten kan antända damm eller ångor.
- **Håll barn och åskådare på avstånd när du använder produkten.** Om du blir distraherad kan du tappa kontrollen.

### Personssäkerhet

- **Var på din vakt, var uppmärksam på vad du gör och använd sunt förnuft när du använder produkten. Använd inte produkten om du är trött, om du har druckit alkohol eller om du har tagit andra droger eller mediciner.** Ett ögonblick av ouppmärksamhet när du använder produkter kan leda till allvarlig personskada.
- **Använd personlig skyddsutrustning. Använd alltid ögonskydd.** Lämplig skyddsutrustning som ansiktsmask, halkfria skyddsskor, hjälm eller hörselskydd minskar risken för personskador.
- **Förebygg att elverktøget startar oavsiktligt. Se till att strömbrytaren är fränslagen innan du ansluter elverktøget till en strömkälla och/eller ett batteri och innan du tar upp eller bär produkten.** Risken för olyckor är stor om du bär produkter med fingret på strömbrytaren eller tillför ström till produkter med strömbrytaren påslagen.
- **Ta bort eventuella justeringsnycklar eller skiftnycklar innan du slår på produkten.** Skiftnycklar som lämnas kvar i produktens rörliga delar kan orsaka personskada.

- **Sträck dig inte för långt. Ha alltid ett stadigt fotfäste och god balans.** Det ger dig större kontroll över produkten i oväntade situationer.
- **Klä dig rätt. Använd inte löst sittande kläder eller smycken. Håll hår och kläder borta från rörliga delar.** Lösa kläder, smycken eller långt hår kan fastna i rörliga delar.
- **Om det finns anordningar för anslutning av enheter för uppsamling av damm, se då till att dessa är ordentligt anslutna och att de används på rätt sätt.** Dammuppsamling kan minska dammrelaterad fara.
- **Tillåt inte dig själv att bli för avslappnad, även om du har erfarenhet av regelbunden användning av produkter, så att du börjar strunta i produktsäkerheten.** En slarvig handling kan orsaka allvarlig skada på mindre än en sekund.

## Produkternas användning och skötsel

- **Använd inte onödigt kraft med produkten. Använd den produkt som är rätt för aktuellt syfte.** Med rätt produkt utför du ett bättre och säkrare jobb med den hastighet som produkten är utformad för.
- **Använd inte produkten om du inte kan starta och stänga av den med strömbrytaren.** Produkter som inte kan regleras med strömbrytaren är farliga och måste repareras.
- **Koppla bort kontakten från strömkällan och/eller ta ut batteriet (om det kan tas bort) innan du gör några justeringar, byter tillbehör eller förvarar produkter.** Sådana förebyggande säkerhetsåtgärder minskar risken för att produkten startas oavsiktligt.
- **Förvara produkter utom räckhåll för barn när de inte används. Se till att personer som inte tidigare har hanterat produkter eller som inte har läst instruktionerna inte använder dem.** Produkter är farliga om de används av ovana användare.
- **Underhåll produkter och tillbehör. Kontrollera att rörliga delar ligger i linje och inte kärvar. Kontrollera även om det finns skadade delar eller om det föreligger andra förhållanden som kan påverka produktfunktionen. Om produkten är skadad ska den repareras innan den används igen.** Många olyckor sker på grund av att rätt underhåll inte har utförts på produkter.
- **Håll kapverktyg skarpa och rena.** Väl underhållna klippande verktyg med vassa eggar kärvar mer sällan och är lättare att kontrollera.
- **Använd produkten och tillbehör enligt de här instruktionerna. Tänk på att ta hänsyn till arbetsförhållandena och det arbete som ska utföras.** Användning av produkten i andra syften än de avsedda kan resultera i en farlig situation.
- **Håll handtagen och greppytorna torra, rena och fria från olja och fett.** Hala handtag och greppytor innebär att det inte är säkert att hantera och styra produkten i oväntade situationer.

## Använda och underhålla batteridrivna verktyg

- **Ladda endast upp med den laddare som anges av tillverkaren.** En laddare som är lämplig för en typ av

batteripack kan utgöra en brandrisk när den används med ett annat batteripack.

- **Använd endast produkter med särskilt avsedda batteripack.** Användning av andra batteripack kan innebära risk för skada och brand.
- **När batteripacket inte används ska du hålla det borta från andra metallföremål, som gem, mynt, nycklar, spikar, skruvar och andra små metallföremål, som kan skapa en anslutning mellan kontakterna.** Kortslutning av batteriets kontakter kan orsaka brännskador eller brand.
- **Vid felaktig användning kan vätska sprutas ut från batteriet. Undvik kontakt. Om kontakt inträffar av misstag ska du skölja med vatten. Om du får vätska i ögonen ska du uppsöka läkare.** Vätska som sprutas ut från batteriet kan orsaka irritation eller sveda.
- **Använd inte ett batteripack eller ett verktyg som är trasigt eller modifierat.** Skadade eller modifierade batterier kan fungera på ett oväntat sätt vilket kan leda till brand, explosion eller risk för skada.
- **Utsätt inte ett batteripack eller ett verktyg för brand eller extrema temperaturer.** Om det utsätts för brand eller temperaturer över 130 °C kan en explosion inträffa.
- **Följ alla anvisningar för laddning och ladda inte batteripacket eller verktyget utanför det temperaturintervall som anges i instruktionerna.** Felaktig laddning eller temperaturer utanför det specificerade området kan skada batteriet och öka risken för brand.

## Tjänst

- **Låt en kvalificerad reparatör, som endast använder identiska reservdelar, underhålla produkten.** På så sätt garanterar du att säkerheten för produkten upprätthålls.
- **Utför aldrig underhåll på skadade batteripack.** Underhåll på batteripack bör endast utföras av tillverkaren eller auktoriserade tjänsteleverantörer.

## Säkerhetsvarningar för produkten

- **Använd inte produkten i dåligt väder, i synnerhet inte vid risk för blixtnedslag.** Det minskar risken att träffas av blixten.
- **Kontrollera noga om det finns vilda djur i området där produkten ska användas.** Vilda djur kan skadas av produkten under drift.
- **Kontrollera noga området där produkten ska användas och ta bort alla stenar, kvistar, kablar, ben och andra främmande föremål.** Utslungade föremål kan orsaka personskador.
- **Innan du använder produkten är det viktigt att kontrollera att knivarna och knivenheten inte är slitna eller skadade.** Slitna eller skadade delar ökar skaderisken.
- **Kontrollera gräsuppsamlaren ofta med avseende på slitage eller fel.** En slitna eller skadad gräsuppsamlare kan öka risken för personskador.

- **Se till att skydden sitter på plats. Skydden måste vara i funktionsdugligt skick och vara korrekt monterade.** Skydd som är lösa, skadade eller inte fungerar som de ska kan leda till personskador.
- **Håll alla kallluftsintag borta från skräp.** Blockerade luftintag och skräp kan leda till överhettning eller brandrisk.
- **Ha alltid på dig halksäkra skyddsskor när du använder produkten. Använd aldrig produkten barfota eller med öppna sandaler.** Detta minskar risken för skador på fötterna av de rörliga knivarna.
- **Ha alltid på dig långbyxor när du använder produkten.** Exponerad hud ökar risken för skador från utkastade föremål.
- **Använd inte produkten i vått gräs. Gå – spring aldrig.** Detta minskar risken för att halka och falla, som kan leda till personskador.
- **Använd inte produkten i för branta sluttningar.** Detta minskar risken för att du tappar kontrollen, halkar eller ramlar, som kan resultera i personskador.
- **När du arbetar i lutningar ska du alltid stå stadigt, alltid arbeta tvärs över lutningen snarare än uppifrån och ner och vara oerhört försiktig när du byter riktning.** Detta minskar risken för att du tappar kontrollen, halkar eller ramlar, som kan resultera i personskador.
- **Var extremt försiktig när du backar eller drar produkten mot dig. Var alltid uppmärksam på din omgivning.** Då minskar risken för att snubbla under användningen.
- **Håll produkten i de isolerade greppytorna, eftersom knivarna kan komma i kontakt med dolda ledningar eller sin egen sladd.** Om knivarna kommer i kontakt med en strömförande ledning kan maskinens metalldelar strömsättas och ge användaren en elstöt.
- **Vidrör inte knivarna eller andra farliga rörliga delar när de fortfarande är i rörelse.** Detta minskar risken för skador som orsakas av rörliga delar.
- **När du tar bort material som har fastnat eller rengör produkten måste du se till att alla strömbrytare är fränslagna och att batteriet är fränkopplat.** Övontade rörelser av produkten kan leda till allvarliga personskador.

## Allmänna säkerhetsanvisningar



**WARNING:** Läs varningsinstruktionerna nedan innan du använder produkten.

- Denna produkt är farlig om den används på fel sätt, och om du inte är försiktig. Skada eller dödsfall kan inträffa om du inte följer säkerhetsinstruktionerna.
- Denna produkt alstrar ett elektromagnetiskt fält under drift. Detta fält kan under vissa omständigheter ge påverkan på aktiva eller passiva medicinska implantat. För att reducera risken för omständigheter som kan leda till allvarliga eller livshotande skador rekommenderar vi därför

personer med implantat att rådgöra med läkare samt tillverkaren av det medicinska implantatet innan denna produkt används.

- Var alltid försiktig och använd sunt förnuft. Om du inte vet hur du ska använda produkten i en särskild situation ska du stanna den och tala med en Husqvarna-återförsäljare innan du fortsätter.
- Tänk på att användaren kommer att hållas ansvarig för olyckor som involverar andra människor eller deras egendom.
- Håll produkten ren. Se till att du kan läsa skyltar och dekaler tydligt.
- Låt aldrig barn eller personer som inte känner till de här instruktionerna använda produkten. Lokala föreskrifter kan ange en åldersgräns för användning.
- Övervaka alltid en person med nedsatt fysisk eller mental kapacitet som använder produkten. En vuxen person måste vara närvarande hela tiden.
- Använd aldrig produkten om du är trött, sjuk eller om du är påverkad av alkohol, droger eller läkemedel. Detta har en negativ inverkan på din syn, ditt omdöme och din kroppskontroll.
- Använd inte produkten om den är skadad eller inte fungerar korrekt.
- Modifiera aldrig den här produkten och använd den inte om det är möjligt att den har blivit modifierad av andra.

## Arbets säkerhet



**WARNING:** Läs varningsinstruktionerna nedan innan du använder produkten.

- Använd enbart den här produkten för att ta bort dött gräs och mossor från gräsmattor. Det är inte tillåtet att använda den för andra uppgifter.
- Använd personlig skyddsutrustning. Se *Personlig skyddsutrustning på sida 401*.
- Se till att du vet hur man snabbt stoppar motorn i en nödsituation.
- Använd inte produkten i regn eller vid blöta förhållanden. Detta kan öka risken för elstötar.
- Använd inte produkten om inte knivarna och alla kåpor är korrekt monterade. Felaktigt monterade knivar kan lossna och orsaka personskador.
- Se till att knivarna inte slår emot föremål som stenar och rötter. Detta kan göra att knivarna skadas och att motoraxeln böjs. En böjd axel orsakar kraftiga vibrationer och risken för att knivarna lossnar blir mycket hög.
- Om knivarna träffar ett föremål eller om det uppstår vibrationer ska du omedelbart stoppa produkten. Stäng av motorn, vrid säkerhetsnyckeln till 0 och ta bort batteriet. Vänta tills alla rörliga delar står stilla. Kontrollera om det finns några skador på produkten. Dra åt lösa delar. Reparera skador och byt ut skadade delar. Låt en godkänd serviceverkstad utföra reparationer.



- Fäst aldrig motorbromsbygeln permanent på handtaget när motorn är igång.
- Ställ produkten på ett stabilt plant underlag och starta den. Se till att knivarna inte vidrör marken eller andra föremål.
- Håll dig alltid bakom produkten när du använder den.
- Låt alla hjul stå på marken och håll båda händerna på handtaget när du använder produkten. Håll händer och fötter borta från de roterande knivarna.
- Luta inte produkten när du startar motorn eller under användning av produkten.
- Var försiktig när du drar produkten bakåt.
- Lyft aldrig upp produkten när motorn är igång. Om du måste lyfta upp produkten stänger du av motorn, vrider säkerhetsnyckeln till 0 och tar bort batteriet.
- Gå inte baklänges när du använder produkten.
- Stäng av motorn när du behöver luta produkten för transport eller innan du förflyttar dig över ytor utan gräs, till exempel vägar med grus, sten och asfalt.
- Spring inte med produkten när motorn är igång. Gå alltid när du använder produkten.
- Stäng av motorn innan du ändrar arbetsdjupet. Gör aldrig justeringar med motorn igång.
- Lämna aldrig produkten utom synhåll med motorn igång. Stäng av motorn, vrid säkerhetsnyckeln till 0 och ta bort batteriet. Se till att vertikalskärningsutrustningen inte roterar.
- Vibrationerna i produkten under drift kan skilja sig från deklarerat vibrationsvärde i *Tekniska data på sida 408*. Skillnaden beror på varierande användning av produkten. Om du använder produkten ofta eller under långa perioder bör du ta pauser regelbundet för att förhindra skador till följd av vibrationer.

## Säkerhetsinstruktioner för drift

### Personlig skyddsutrustning



**WARNING:** Läs varningsinstruktionerna nedan innan du använder produkten.

- Personlig skyddsutrustning kan inte eliminera skaderisken helt, men den reducerar effekten av en skada vid ett eventuellt olyckstillbud. Be din återförsäljare om hjälp med att välja rätt utrustning.
- Använd kraftiga hals säkra kängor eller skor. Använd inte öppna skor och var inte barfota.
- Använd tjockare långbyxor.
- Använd skyddshandskar vid behov, till exempel när du ansluter, undersöker eller rengör skärutrustningen.
- Vi rekommenderar att du använder hörselskydd.

### Säkerhetsanordningar på produkten



**WARNING:** Läs varningsinstruktionerna nedan innan du använder produkten.

- Använd inte en produkt med säkerhetsanordningar som är skadade eller som inte fungerar korrekt.
- Ta inte bort och gör inga ändringar på säkerhetsanordningar.
- Kontrollera säkerhetsanordningarna regelbundet. Om säkerhetsanordningarna är skadade eller om de inte fungerar korrekt ska du kontakta en Husqvarna-serviceverkstad.

### Kontrollera kåporna

Vertikalskärarkåpan dämpar vibrationerna och minskar risken för skador orsakade av vertikalskärningsutrustningen.

- Undersök vertikalskärarens sidokåpa för att se till att den inte har några skador, t.ex. sprickor.
- Undersök den bakre kåpan för att se till att den inte har några skador, t.ex. sprickor.

### Motorbromsbygel

Motorbromsbygeln stänger av motorn. När motorbromsbygeln släpps stannar motorn.

För att inspektera motorbromsen ska du starta motorn och sedan släppa motorbromsbygeln. Om motorn inte stannar inom tre sekunder ska du låta en godkänd Husqvarna-serviceverkstad justera motorbromsen.

(Fig. 19)

### Säkerhetsnyckel

Säkerhetsnyckeln finns under batteriluckan. Säkerhetsnyckeln används för att koppla batteriet som förser motorn med ström.

- Starta och stäng av motorn för att kontrollera säkerhetsnyckeln.
- Om säkerhetsnyckeln fungerar som den ska startar motorn endast när nyckeln är i läge 1.

(Fig. 20)

### Undersöka startspärren

Gör en kontroll av startspärren för att se till att den hindrar drift av motorn.

1. Tryck motorbromsbygeln i styrets riktning. Startspärren stoppar rörelsen.
2. Tryck ut startspärren. (Fig. 21)
3. Lossa startspärren och se till att den går tillbaka till ursprungs läget.

### Batterisäkerhet



**WARNING:** Läs varningsinstruktionerna nedan innan du använder produkten.

- Använd endast laddningsbara batterier från Husqvarna som strömkälla för relaterade Husqvarna-produkter. På grund av risken för skador

ska du inte använda batteriet som strömkälla för andra enheter.

- Använd inte batterier som inte är laddningsbara.
- Risk för elektrisk stöt. Anslut inte batteripolerna till nycklar, mynt, skruvar eller andra metallföremål. Det kan orsaka kortslutning i batteriet.
- Placera inte föremål i luftspringorna på batteriet.
- Håll batteriet borta från direkt solljus, värme och öppen eld. Batteriet kan explodera och orsaka brännskador och/eller kemiska brännskador.
- Håll batteriet borta från regn och fuktiga förhållanden.
- Håll batteriet borta från mikrovågor och högt tryck.
- Försök inte ta isär eller krossa batteriet.
- Om batteriet läcker ska du inte låta vätskan komma i kontakt med huden eller ögonen. Om du har rört vid vätskan ska du rengöra området med stora mängder vatten och kontakta läkare.
- Använd endast batteriet i produkten när omgivningstemperaturen är 5–40 °C.
- Använd endast batteriladdaren när omgivningstemperaturen är 5–40 °C.
- Batteriet laddas inte om batteritemperaturen överstiger 50 °C.
- Rengör inte batteriet eller batteriladdaren med vatten. Se *Batteri på sida 406*.
- Använd inte ett skadat batteri.
- Håll batterier som förvaras borta från metallföremål, exempelvis spikar, mynt och smycken.

## Säkerhet, batteriladdare



**VARNING:** Läs varningsinstruktionerna nedan innan du använder produkten.

- Använd endast QC-batteriladdare för att ladda utbytesbatterier från Husqvarna.
- Risk för elektrisk stöt eller kortslutning. Placera inte föremål i luftspringorna på laddaren. Försök inte plocka isär batteriladdaren. Anslut inte laddarens kontakter till metallföremål. Använd ett godkänt eluttag.
- Denna produkt alstrar ett elektromagnetiskt fält under drift. Detta fält kan under vissa omständigheter ge påverkan på aktiva eller passiva medicinska implantat. För att reducera risken för omständigheter som kan leda till allvarliga eller livshotande skador rekommenderar vi därför personer med implantat att rådgöra med läkare samt tillverkaren av det medicinska implantatet innan denna maskin används.
- Kontrollera regelbundet att strömkabeln till batteriladdaren är oskadad och att inga sprickor finns.
- Lyft inte batteriladdaren i strömkabeln. Koppla bort batteriladdaren från eluttaget genom att dra i kontakten. Dra inte i strömkabeln.

- Håll strömkabel och skarvsladdar borta från vatten, olja och skarpa kanter. Var uppmärksam så att inte kabeln kläms i dörrar, stängsel eller liknade. Det kan annars medföra att laddaren blir strömförande.
- Rengör inte batteriladdaren med vatten.
- Batteriladdaren kan användas av barn från 8 år och uppåt och personer med olika funktionshinder eller bristande erfarenhet och kunskap om de hålls under uppsikt eller får instruktioner om säker användning av batteriladdaren och förstår de risker användandet medför. Barn får inte leka med batteriladdaren. Rengöring och underhåll får inte utföras av barn utan tillsyn.
- Ladda aldrig batterier som inte är laddningsbara i batteriladdaren.
- Använd inte batteriladdaren nära brandfarliga material eller material som kan orsaka korrosion. Täck inte över batteriladdaren. Dra ut stickkontakten till batteriladdaren vid rökutveckling eller brand.
- Använd aldrig defekta eller skadade batteriladdare.
- Ladda endast batteriet inomhus där den inte utsätts för solljus och i ett rum med bra luftflöde. Ladda inte batteriet vid fuktiga förhållanden.

## Säkerhetsinstruktioner för underhåll



**VARNING:** Läs varningsinstruktionerna nedan innan du använder produkten.

- För att förhindra oavsiktlig start vid underhåll ska du vrida säkerhetsnyckeln till 0 och ta bort batteriet. Vänta i minst fem sekunder innan du påbörjar underhåll.
- Utför underhållsarbete på rätt sätt för att öka produktens livslängd och minska risken för olyckor. Låt en godkänd serviceverkstad utföra fackmannamässig reparation. Tala med din närmaste serviceverkstad för mer information.
- Utför endast det underhållsarbete som anges i den här bruksanvisningen. Mer omfattande arbete ska utföras av en godkänd serviceverkstad.
- Undvik risken för skador: Ta inte bort och gör inga ändringar på säkerhetsanordningar.
- Använd kraftiga arbetshandskar när du använder vertikalskärningsutrustningen. Vertikalskärningsutrustningen är mycket vass och skårskador uppstår lätt.
- Håll knivarna på vertikalskärningsutrustningen välslipade och rena för bästa och säkraste prestanda.
- Låt din serviceverkstad regelbundet kontrollera produkten och göra nödvändiga inställningar och reparationer.
- Byt ut skadade, slitna eller trasiga delar. Använd alltid reservdelar i original från tillverkaren. Andra reservdelar kan orsaka skador på produkten och öka risken för olyckor.

- Följ instruktionerna för byte av tillbehör. Använd endast tillbehör från tillverkaren.
- När den inte används ska du hålla produkten, batteriet och batteriladdaren ifrån varandra på ett

torrt och låst utrymme inomhus. Se till att barn och personer som inte är godkända inte kan få tillgång till produkten, batteriet eller batteriladdaren.

## Montering

### Introduktion



**VARNING:** Innan du monterar produkten ska du läsa säkerhetskapitlet.



**VARNING:** Förhindra oavsiktlig start vid montering genom att vrida säkerhetsnyckeln till 0, ta bort batteriet och vänta minst fem sekunder.

### Montera handtaget

1. Lossa de nedre vreden.
2. Flytta vreden till den nedre delen av spåren på produktens vänstra och högra sida. (Fig. 22)
3. Ställ in handtagshöjden till ett av två tillgängliga lägen.

4. Skjut vreden uppåt mot handtaget tills det tar stopp och du hör ett klick. (Fig. 23)
5. Dra åt vreden helt.

### Montera gräsuppsamlaren

1. Fäst gräsuppsamlarens ram i gräsbehållaren, med behållarens stela del nedåt. Håll ramens handtag ovanpå gräsbehållaren. (Fig. 24)
2. Sätt fast den nedre delen av gräsuppsamlarens ram i spåret på undersidan av gräsuppsamlaren.
3. Fäst gräsbehållaren på gräsuppsamlarens ram med klämmorna. (Fig. 25)
4. Lyft den bakre kåpan.
5. Flytta gräsuppsamlaren till rätt läge. (Fig. 26)
6. Fäst gräsuppsamlaren i den övre kanten på chassit. Kontrollera att den bakre kåpan ligger helt tätt mot gräsuppsamlaren för att förhindra läckage. (Fig. 27)

## Drift

### Introduktion



**VARNING:** Innan du använder produkten måste du läsa igenom och förstå kapitlet om säkerhet.

### Husqvarna Connect

Husqvarna Connect är en kostnadsfri app för mobila enheter. Husqvarna Connect-appen utökar funktionerna för Husqvarna-produkten:

- Mer produktinformation.
- Information om, och hjälp med, produktdelar och service.

### Börja använda Husqvarna Connect

1. Hämta Husqvarna Connect-appen på din mobila enhet.
2. Utför registreringen i Husqvarna Connect-appen.
3. Följ instruktionerna i Husqvarna Connect-appen för att ansluta och registrera produkten.

### Ställa in arbetsdjupet



**VARNING:** Ställ inte in arbetsdjupet när du använder produkten.

1. Tryck in och vrid inställningsvredet för arbetsdjup moturs för att öka arbetsdjupet.
2. Tryck in och vrid inställningsvredet för arbetsdjup medurs för att minska arbetsdjupet. (Fig. 28)

### Batteri



**VARNING:** Innan du använder batteriet måste du läsa igenom och förstå kapitlet om säkerhet. Du måste också läsa igenom och förstå den bruksanvisning som medföljer batteriet och batteriladdaren.

Förvara batteriet och batteriladdaren i rätt omgivningstemperatur.

	Omgivningstemperatur
Användning av batteri	5–40 °C
Laddning av batteri	5–40 °C

### Batteristatus

Displayen visar den återstående batterikapaciteten och om det föreligger problem med batteriet. Tryck på batteriindikatorknappen för att få information om batteriets laddningsstatus. Varningssymbolen på

batteriet tänds när ett fel har inträffat. Se *Batteri på sida 406*.

(Fig. 29)

Lysdioder	Batteristatus
Alla lysdioder är tända	Fulladdat (76–100 %)
Lysdiod 1, 2 och 3 lyser	Batteriet är 51–75 % laddat.
Lysdiod 1 och 2 lyser	Batteriet är 26–50 % laddat.
Lysdiod 1 lyser	Batteriet är 6–25 % laddat.
Lysdiod 1 blinkar	Batteriet är 0–5% laddat.

## Ladda batteriet

Ladda batteriet före första användning. Batteriet är endast 30 % laddat när det levereras till kunden.

**Notera:** Batteriladdaren måste vara kopplad till den spänning och frekvens som anges på typskylten.

Batteriet laddas inte om batteritemperaturen är över 50 °C. Batteriladdaren sänker batteriets temperatur innan den börjar ladda.

1. Anslut den ena änden av batteriladdarens nätsladd till batteriladdarens uttag.
2. Anslut den andra änden av batteriladdarens nätsladd till ett jordat eluttag. Lysdioden på batteriladdaren blinkar grönt en gång. (Fig. 30)
3. Sätt i batteriet i batteriladdaren. Den gröna lampan på laddaren tänds när batteriet är korrekt anslutet till laddaren. (Fig. 31)
4. När alla lysdioder på batteriet lyser är batteriet fulladdat. Ladda batteriet i högst 24 timmar.
5. Koppla bort batteriladdaren ur vägguttaget genom att dra i kontakten, inte i nätsladden.
6. Ta ut batteriet ur batteriladdaren.

## Starta produkten

1. Sätt ett laddat batteri i batterifack nummer 1 under batteriluckan. För längre drifttid sätter du ett andra laddat batteri i batterifack nummer 2.
2. Vrid säkerhetsnyckeln till 1. (Fig. 32)
3. Stå bakom produkten.
4. Tryck på PÅ/AV-knappen (A) på reglagepanelen så tänds den gröna lysdioden (B). (Fig. 33)
5. Lossa startspärren. (Fig. 34)
6. Tryck motorbromsbygeln i handtagets riktning. (Fig. 35)

## Använda SavE-funktionen

Produkten har en batterisparfunktion (SavE) som ger längre drifttid.

1. Tryck på SavE-knappen (A) för att starta funktionen. Den gröna lysdioden tänds. (Fig. 36)
2. Tryck på SavE-knappen igen för att stänga av funktionen. Den gröna lysdioden (B) slocknar.

## Funktion för hög belastning

När produkten klipper högt eller vått gräs ökar motorn automatiskt varvtalet. Motorn återgår till standardläge när hög belastning inte längre behövs.

## Motorn stannar

Under drift kan kniven och motorn tillfälligt stanna på grund av hinder, till exempel gräsansamling under klippkåpan. Om detta inträffar och du håller motorbromshandtaget nedtryckt startar produkten om automatiskt. Om produkten inte startar om på 5–10 sekunder kan det vara nödvändigt att göra rent under klippskyddet. Se *Rengöra produkten på sida 405*.



**VARNING:** Om motorn stannar försöker produkten starta om automatiskt i 5–10 sekunder. Vänta i minst 15 sekunder innan du kontrollerar klippkåpan.



**VARNING:** Innan du kontrollerar klippkåpan: Släpp motorbromsbygeln, vrid säkerhetsnyckeln till 0, ta ut batteriet och vänta i minst fem sekunder. Det finns risk för skador om hindret tas bort och produkten oavsiktligt startar.

## Stoppa produkten

Produkten stängs av automatiskt om du inte använder den på tio minuter. Lämna aldrig produkten utom synhåll med motorn igång. Stäng av motorn, vrid säkerhetsnyckeln till 0 och ta bort batteriet. Se till att vertikalskärningsutrustningen inte roterar.

1. Släpp motorbromsbygeln för att stänga av motorn. (Fig. 37)
2. Tryck på PÅ/AV-knappen (A) på reglagepanelen så släcks den gröna lampan (B). (Fig. 33)
3. Öppna batteriluckan och vrid säkerhetsnyckeln till läget 0. (Fig. 38)
4. För att ta bort batteriet trycker du på de två frigöringsknapparna samtidigt och drar ut batteriet. (Fig. 39)
5. Ladda batteriet om det är svagt. Mer information finns i *Ladda batteriet på sida 404*.

# Underhåll

## Introduktion

Mer information finns här i [www.husqvarna.com](http://www.husqvarna.com).



**VARNING:** Innan du utför underhåll måste du läsa och förstå kapitlet om säkerhet.

För allt service- och reparationsarbete på produkten krävs särskild utbildning. Vi garanterar att du kan få en fackmannamässig reparation och service utförd. Om din återförsäljare inte är en serviceverkstad kan du tala med dem för information om närmaste serviceverkstad.

## Underhållsschema

Underhållsintervallen beräknas utifrån daglig användning av produkten. Intervallen ändras om produkten inte används dagligen.

För underhåll som markeras med \*, se *Säkerhetsanordningar på produkten på sida 401*.

S 138i	Varje användning	Varje månad	Varje säsong
Utför en allmän inspektion.	X		
Rengöra produkten.	X		
Undersök vertikalskärningsutrustningen.	X		
Kontrollera att produktens säkerhetsanordningar inte är defekta. *	X		
Undersök kåporna. *	X		
Kontrollera motorbromsbygeln. *	X		
Kontrollera startspärren. *	X		
Se till att PÅ/AV-knappen fungerar som den ska och att den inte är defekt.	X		
Undersök om det finns några skador på batteriet.	X		
Kontrollera batteriladdningen.	X		
Se till att frigöringsknapparna på batteriet fungerar och låser fast batteriet i produkten.	X		
Undersök om batteriladdaren har skador och se till att den fungerar som den ska.		X	
Undersök anslutningarna mellan batteriet och produkten. Undersök även anslutningen mellan batteriet och batteriladdaren.			X

## Allmän inspektion

- Se till att skruvar och muttrar på produkten är åtdragna.
- Se till att produktens kablar inte är i ett läge där de kan skadas.

## Rengöra produkten

- Rengör plastdelar med en ren och torr trasa.
- Använd inte vatten för att rengöra produkten. Vatten kan tränga in i batteriet eller motorn och orsaka kortslutning eller skada på produkten.
- Undvik att använda högtryckstvätt när du rengör maskinen.
- Spola inte vatten direkt på motorn.

- Använd en borste för att ta bort löv, gräs och smuts.

## Rengöra batteriet och batteriladdaren



**VARNING:** Rengör inte batteriet eller batteriladdaren med vatten.



**VARNING:** Använd inga kemiska ämnen vid rengöring av batteriet.

- Se till att batteriet och batteriladdaren är rena och torra innan du sätter i batteriet i batteriladdaren.

- Rengör batteripolerna med tryckluft eller med en mjuk, torr trasa.
- Rengör ytorna på batteriet och batteriladdaren med en mjuk, torr trasa.

## Undersöka vertikalskärningsutrustningen



**VARNING:** Förhindra oavsiktligt start genom att vrida säkerhetsnyckeln till 0, ta bort batteriet och vänta minst fem sekunder.



**VARNING:** Använd skyddshandskar när du utför underhåll på vertikalskärningsutrustningen. Knivarna på vertikalskärningsutrustningen är mycket vassa och skärskador uppstår lätt.

- Kontrollera att vertikalskärningsutrustningen inte är skadad eller har sprickor. Byt alltid ut skadad vertikalskärningsutrustning.

## Byta ut vertikalskärningsutrustningen



**VARNING:** Använd skyddshandskar när du utför underhåll på vertikalskärningsutrustningen. Vertikalskärningsutrustningen är mycket vass och skärskador uppstår lätt.

1. Ställ produkten på sidan. (Fig. 40)
2. Ta bort de två skruvarna (A) och vertikalskärarkåpan (B). Tryck vertikalskärningsutrustningen (C) uppåt och utåt för att ta bort den. (Fig. 41)
3. Skjut den nya vertikalskärningsutrustningen (C) in i spåret och ned i hålet. Montera vertikalskärarkåpan (B) och de två skruvarna (A). (Fig. 42)

## Felsökning

### Batteri

Lysdiod på batteriet	Orsak	Lösning
Den gröna lysdioden blinkar.	Batterispänningen är låg.	Ladda batteriet. Se <i>Ladda batteriet på sida 404</i> .
Batteriets varningslampan blinkar.	Batteriet är för kallt eller för varmt för att användas.	Låt batteriet svalna eller ta in det inomhus för att värma det. När batteriet har rätt temperatur kan du använda det. Använd endast batteriet i produkten när omgivningstemperaturen är 5–40 °C.
	Batteriet är tomt.	Ladda batteriet. Se <i>Ladda batteriet på sida 404</i> .
Batteriets varningslampan tänds.	Det förekommer ett permanent batterifel.	Kontakta en Husqvarna-serviceverkstad.

### Batteriladdare

Lysdiod på batteriladdaren	Orsak	Lösning
Varningslampan blinkar eller tänds.	Batteriladdaren är för kall eller för varm för att användas.	Låt batteriladdaren svalna eller ta in den inomhus för att värma den. När batteriladdaren har rätt temperatur kan du använda den. Använd endast batteriladdaren när omgivningstemperaturen är 5–40 °C.
	Andra fel.	Kontakta en Husqvarna-serviceverkstad.

## Reglagepanel

Fel	Felkod (antal blinkningar)	Eventuella fel	Möjlig åtgärd
Fellampan blinkar	3	Motorn är överbelastad.	Minska arbetsdjuget. Se <i>Ställa in arbetsdjuget på sida 403</i> . Om fellampan fortsätter att blinka är vertikalskärningsutrustningen blockerad. Förhindra oavsiktlig start genom att vrida säkerhetsnyckeln till 0, ta bort batteriet och vänta minst fem sekunder. Se till att vertikalskärningsutrustningen kan röra sig fritt. Om problemet kvarstår kontaktar du en auktoriserad serviceverkstad.
	5	Motorns varvtal sjunker för mycket och motorn stängs av.	
	9	Motorstyrningen är för varm.	Stäng av motorn och vänta tills den har svalnat.
	7	Batterifel eller ingen signal från batteriet.	Sätt batteriet i produkten på rätt sätt och undersök batterianslutningen. Om fellampan på batteriet blinkar, se <i>Batteri på sida 406</i> .
Batteriet är svagt.		Ladda batteriet. Se <i>Ladda batteriet på sida 404</i> .	
Produkten stannar	6	Batteriet är svagt.	Ladda batteriet. Se <i>Ladda batteriet på sida 404</i> .
	Inga blinkningar.	Batterianslutningsfel.	Undersök batterianslutningen.
Övriga fel	Om andra fel uppstår vrid du säkerhetsnyckeln till 0, tar bort batteriet och kontaktar en godkänd serviceverkstad.		

## Transport, förvaring och kassering

### Introduktion



**WARNING:** Förhindra oavsiktlig start vid transport och förvaring genom att vrida säkerhetsnyckeln till 0, ta bort batteriet och vänta minst fem sekunder.

### Transport

- Kraven i lagstiftningen för farligt gods gäller för de medföljande litiumjonbatterierna.
- För kommersiella transporterna måste särskilda krav på förpackning och etiketter följas.
- Se till att du följer kraven gällande farligt material när du förbereder produkten för transport. Lokala föreskrifter kan gälla.
- Ta alltid loss alltid batteriet vid transport.
- Sätt tejp på batterikontakterna och se till att batteriet inte kan röra sig under transport.
- Sätt fast produkten under transport.

### Förvaring

- Ta alltid bort batterierna före förvaring.
- Låt produkten svalna före förvaring.
- Förhindra olyckor genom att se till att batteriet inte är kopplat till produkten vid förvaring.
- Förvara batteriladdaren på en sluten och torr plats.
- Förvara batteriet och batteriladdaren på en torr plats där det inte finns någon fukt eller frost.
- Koppla ur batteriet från batteriladdaren vid förvaring.
- Förvara inte batteriet där statisk elektricitet kan uppkomma. Förvara inte batteriet i en metallåda.
- Förvara produkten i temperaturer mellan –10 och 40 °C.
- Förvara batteriet i temperaturer mellan 5 och 25 °C, och inte i direkt solljus.
- Förvara batteriladdaren i temperaturer mellan 5 och 45 °C, och inte i direkt solljus.
- Se till att batteriet är 30–50 % laddat innan du förvarar det under längre perioder.

- Förvara produkten, batteriet och batteriladdaren i ett låst utrymme utom räckhåll för barn och personer som inte är godkända.
- Rengör produkten och se till att gräsupsamlaren är tom.
- Utför underhåll enligt anvisningarna i den här bruksanvisningen. Se *Underhållsschema på sida 405*.
- Utför en fullständig service före långtidsförvaring.

hushållsavfall. Istället ska den överlämnas till lämplig återvinningsstation för återvinning av elektrisk och elektronisk utrustning.

Genom att se till att denna produkt omhändertas ordentligt kan du hjälpa till att motverka potentiella negativa konsekvenser på miljö och människor, vilka annars kan orsakas genom oriktig avfallshantering av denna produkt. För mer detaljerad information om återvinning av denna produkt, kontakta din kommun, din hushållsavfallsservice eller affären där du köpte produkten.

(Fig. 43)

## Kassering

Symbolen på produkten eller dess förpackning indikerar att denna produkt inte får hanteras som

## Tekniska data

### Tekniska data

<b>S 138i</b>	
<b>Motor</b>	
Motortyp	BLDC (borstlös) 36 V
Utrustningens varvtal – SavE, varv/min	3 000
Utrustningens varvtal – nominellt, varv/min	3 200
Motoreffekt – max. kW	1,28
Motoreffekt – nominell, kW	0,9
<b>Vikt</b>	
Vikt utan väska (exkl. batteri), kg	19,5
Vikt med väska (inkl. 1 st. BLi30), kg	23
<b>Batteri</b>	
Batterityp	Husqvarna Battery-serien
<b>Batteritid</b>	
Batteritid, min, (fri drift) med SavE aktiverat, med ett 7,5 Ah-batteri från Husqvarna (BLi30).	195
Batteritid, min, (fri drift) med standardläge aktiverat, med ett 7,5 Ah-batteri från Husqvarna (BLi30).	175
<b>Bulleremission</b> <sup>73</sup>	
Ljudeffektnivå, uppmätt dB(A)	89
Ljudeffektnivå, garanterad L <sub>WA</sub> dB(A)	91
<b>Ljudnivåer</b> <sup>74</sup>	
Ljudtrycksnivå vid användarens öra, dB(A)	75

<sup>73</sup> Bulleremission till omgivningen uppmätt som ljudeffekt (L<sub>WA</sub>) enligt EG-direktiv 2000/14/EG.

<sup>74</sup> Rapporterade data för ljudtrycksnivå har en osäkerhetsfaktor (K) på 1,5 dB(A).



<b>S 138i</b>	
<b>Vibrationsnivåer</b> <sup>75</sup>	
Handtag, m/s <sup>2</sup>	5,5
<b>Drift</b>	
Arbetsdjup, max/min, mm	-8/+5
Arbetsbredd, cm	37,5
Bladknivar, tillbehör	5973510-01
Fjäderknivar, tillbehör	5973509-01
Gräsuppsamlarens kapacitet, liter	45

Godkända batterier	Typ	Batterikapacitet, Ah	Spänning, V	Vikt, lb/kg
BLi30	Litiumjonbatteri	7,5	36	4,2/1,9
40-B140	Litiumjonbatteri	4,0	36	2,6/1,2

Laddare som är godkända för de angivna batterierna, BLi	Ingående spänning, V	Frekvens, Hz	Effekt, W
40-C80	100–240	50–60	68,8
QC250	220–240	50	250

<sup>75</sup> Rapporterade data för vibrationsnivå har en osäkerhetsfaktor (K) på 1,5 m/s<sup>2</sup>. Det deklarerade totala vibrationsvärdet har uppmätts i enlighet med EN 62841-4-7, bilaga 1 och kan användas för jämförelse av en maskin med en annan samt vid en preliminär bedömning av exponering.

---

## Försäkran om överensstämmelse

---

## EU-försäkran om överensstämmelse

Vi, **Husqvarna AB**, 561 82 Huskvarna, Sverige, tel:  
+46-36-146500, försäkrar på eget ansvar att produkten:

<b>Beskrivning</b>	Vertikalskärare
<b>Varumärke</b>	Husqvarna
<b>Typ/Modell</b>	S 138i
<b>Identifiering</b>	Serienummer daterade 2023 och framåt

uppfyller alla krav i följande EU-direktiv och förordningar:

Direktiv/förordning	Beskrivning
2011/65/EU	"angående begränsning av användning av vissa farliga ämnen i elektrisk och elektronisk utrustning"
2006/42/EG	"om maskiner"
2014/30/EU	"angående elektromagnetisk kompatibilitet"
2000/14/EC	"angående emission av buller till omgivningen"

och att följande standarder och/eller tekniska specifikationer tillämpas: EN 62841-1:2015/A11:2022, EN IEC 62841-4-7:2022/A11:2022, EN ISO 12100:2010, EN 55014-1:2017/A11:2020, EN 55014-2:2015, EN IEC 63000:2018.

För information om bulleremissioner, se *Tekniska data på sida 408*.

Huskvarna, 2023-12-30



Claes Losdal

Utvecklingschef/trädgårdsprodukter, Husqvarna AB

Husqvarna AB

Ansvarig för teknisk dokumentation



## İçindekiler

Giriş.....	412	Sorun giderme.....	421
Güvenlik.....	413	Taşıma, depolama ve atma.....	422
Montaj.....	418	Teknik veriler.....	423
Çalışma.....	418	Uyumluluk Bildirimi.....	425
Bakım.....	420		

## Giriş

### Ürün açıklaması

Ürün, yaya kumandalı bir elektrikli çim havalandırıcıdır. Ürün, çimenlik alandaki ayrık otları temizleyip toprağı gevşeterek çimenlik alana hava ve su girmesini sağlar. Ayrık otlar, çim toplama sepetinde toplanır veya çimenlik alana bırakılır. Bu üründe 2 tip çim havalandırıcı ekipmanı vardır.

### Çim havalandırıcı ekipmanı

Çim havalandırıcı ekipmanının değiştirilmesi hakkında bilgi için bkz. *Çim havalandırıcı ekipmanını değiştirme sayfa*: 421.

### Bıçak dişler

Bıçak dişler, zor çürüyen bitkisel tabakayı temizler ve çim köklerini dikey olarak keser. Bıçak dişleri

### Ürüne genel bakış

(Şek. 1)

1. Motor fren kolu
2. Üst tutma yeri
3. Kontrol paneli
4. Başlatma engelleyici
5. Alt tutma yeri
6. Çim toplama sepeti
7. Arka kapak
8. Ayrıştırıcı kapağı
9. Akü kapağı
10. Çalışma derinliği ayar düğmesi
11. Güvenlik anahtarı
12. AÇMA/KAPAMA göstergesi LED'i
13. AÇMA/KAPAMA düğmesi
14. SavE düğmesi
15. SavE göstergesi LED'i
16. Akü şarj göstergesi ve akü düğmesi
17. Yaylı dişler
18. Akü (Aksesuar)
19. Akü şarj cihazı (Aksesuar)
20. Alyan anahtarı
21. Kullanım kılavuzu

eğimli alanlarda, yamaçlarda ve kil bakımından zengin topraklarda kullanın. Bıçak dişler, suyun çimenlik alanın içine işlemesini sağlayarak yüzeyde birikmesini önler

(Şek. 17)

### Yaylı dişler

Yaylı dişler, çimenlik alandaki kuru çimleri ve ayrık otları çim köklerine zarar vermeden itinayla temizler.

(Şek. 18)

### Kullanım amacı

Bu ürünü özel bahçelerdeki toprağı gevşetmenin yanı sıra ayrık ot ve yosunları temizlemek için kullanın. Ürünü başka işler için kullanmayın.

### Ürün üzerindeki semboller

(Şek. 2) UYARI

(Şek. 3) Talimatları okuyun.

(Şek. 4) UYARI - Fırlayan nesnelere karşı dikkatli olun.

(Şek. 5) Hiç kimsenin yaklaşmasına izin vermeyin.

(Şek. 6) UYARI - Ellerinizi ve ayaklarınızı dişlerden uzakta tutun.

(Şek. 7) Bakımdan önce akünün bağlantısını kesin.

(Şek. 8) Yağmura maruz bırakmayın.

(Şek. 9) Ürün, su sıçramasına karşı korumalıdır.

(Şek. 10) Bu ürün yürürlükteki AT direktiflerine uygundur.

(Şek. 11) Bu ürün yürürlükteki Birleşik Krallık yönetmeliklerine uygundur.

(Şek. 12) AB ve BK direktifleri ile yönetmelikleri ve Yeni Güney Galler mevzuatı "Çevre Koruma Operasyonları (Gürültü Kontrolü) Yönetmeliği 2017" uyarınca çevreye yayılan gürültü emisyonu etiketi. Ürünün garantili ses gücü düzeyi *Teknik veriler sayfasında*: 423 bölümünde ve etiketin üstünde belirtilmektedir.

(Şek. 15) Bu ürünü, elektrikli ve elektronik ekipmanlara uygun bir geri dönüşüm noktasında geri dönüştürün. (Sadece Avrupa için geçerlidir)

(Şek. 16) Çalıştırma prosedürü: AÇMA/KAPAMA düğmesine basın, başlatma engelleyiciyi gevşetin, motor freni kolunu aşağıya doğru itin.

(Şek. 13) Durdurmak için motor fren kolunu serbest bırakın.

(Şek. 14) Taranabilir kod.

**Not:** Ürünün üzerindeki diğer semboller/etiketler, bazı pazarların sertifikalandırma gereklilikleri ile ilgilidir.

## Üründe oluşabilecek hasarlar

Aşağıdaki durumlarda ürünümlüde oluşabilecek hasarlardan sorumlu olmayız:

- ürünün hatalı bir şekilde onarılması,
- ürünün, üretici tarafından onaylanmayan veya üreticiden alınmayan parçalarla tamir edilmesi,
- üründe, üreticiden alınmayan veya üretici tarafından onaylanmayan bir aksesuar bulunması,
- ürünün, onaylı bir servis merkezinde veya yetkili bir kurum tarafından tamir edilmemesi.

## Güvenlik

### Güvenlik tanımları

Kılavuzdaki önemli kısımları vurgulamak için uyarılar ve notlar kullanılmıştır.



**UYARI:** Kılavuzdaki talimatlara uyulmadığı takdirde operatör veya çevredeki kişiler için ciddi yaralanma veya ölüm tehlikesi varsa kullanılır.



**DİKKAT:** Kılavuzdaki talimatlara uyulmadığı takdirde ürünün, diğer malzemelerin veya çevrenin zarar görme riski olduğunda kullanılır.

**Not:** Belirli bir durumda bilgi verilmesi gerektiğinde kullanılır.

### Genel ürün güvenlik uyarıları



**UYARI:** Bu ürünle birlikte verilen tüm güvenlik uyarılarını, talimatları, çizimleri ve teknik özellikleri okuyun. Aşağıda listelenen talimatların göz ardı edilmesi elektrik çarpmasına, yangına ve/veya ciddi yaralanmaya neden olabilir.

**Tüm uyarı ve talimatları ilerde başvurmak üzere saklayın.** Uyarılardaki "ürün" şebeke akımıyla çalışan (kablolu) ürününüzü veya aküyle çalışan (kablosuz) ürününüzü belirtmektedir.

### Çalışma alanı güvenliği

- **Çalışma alanını temiz ve iyi aydınlatılmış tutun.** Kalabalık veya karanlık alanlar kazalara neden olabilir.
- **Ürünü yanıcı maddelerin, gazların veya tozların bulunduğu patlayıcı ortamlarda çalıştırmayın.** Ürün, toz veya gazı ateşleyebilecek kıvılcımlar çıkarır.
- **Ürünü kullanırken çocukları ve çevredekileri uzakta tutun.** Dikkatinizin dağılması, kontrolü kaybetmenize neden olabilir.

### Kişisel güvenlik

- **Ürünü kullanırken tetikte olun, dikkatinizi yaptığınız işe verin ve sağduyulu olun. Yorgunken veya uyuşturucu, alkol ya da ilaç etkisi altındayken ürünü kullanmayın.** Ürünleri kullanırken bir anlık bir dikkatsizlik, ciddi yaralanmaya neden olabilir.
- **Kişisel koruyucu ekipmanlar kullanın. Daima koruyucu gözlük takınız.** Uygun durumlarda toz maskesi, kaymayan güvenlik ayakkabıları, çelik başlık veya kulak koruma ekipmanı gibi koruyucu ekipman kullanımı yaralanmaları azaltır.
- **İstenmeyen çalıştırmaları önleyin. Güç kaynağına ve/veya akü grubuna bağlamadan, ürünü kaldırmadan veya taşımadan önce anahtarın kapalı konumunda olduğundan emin olun.** Ürünleri parmağınız çalıştırma düğmesindeyken taşımak veya açık elektrikli ürünlere enerji vermek kazalara yol açabilir.
- **Ürünü açmadan önce ayarlamaya anahtarlarını veya İngiliz anahtarlarını çıkarın.** Ürünün dönen kısmına takılı bırakılan İngiliz anahtarları veya anahtar yaralanmaya neden olabilir.

- **Makineyi kullanırken erişim alanınızın dışındaki yerlere uzanmaya çalışmayın. Her zaman yere sağlam basın ve dengeinizi koruyun.** Bu, ürünün beklenmedik durumlarda daha iyi kontrolünü sağlar.
- **Gerektiği gibi giyinin Bol elbise veya takı giymeyin. Saçınızı ve kıyafetinizi hareketli parçalardan uzakta tutun.** Hareketli parçalar bol giysiler, takılar veya uzun saçlar takılabilir.
- **Cihazlar toz çekme ve toplama takımı bağlantısı ile geldiyse bunların bağlı olduğundan ve düzgün kullanıldığından emin olun.** Toz toplama özelliği tozla ilgili tehlikeleri azaltabilir.
- **Ürünleri sık kullanmanın verdiği aşinalıkla kendinizi rahat hissedip ürün güvenlik ilkelerini görmezden gelmeyin.** Dikkatsizce gerçekleştirilen işlemler bir anda ciddi yaralanmalara neden olabilir.
- **Ürünleri yalnızca özel olarak belirlenmiş akü gruplarıyla kullanın.** Farklı türde akü gruplarının kullanılması yangın ve yaralanma riski doğurabilir.
- **Akü grubu kullanımda değilken ataç, bozuk para, anahtar, çivi, vida veya diğer küçük metal cisimler gibi bir ucun başka bir uca bağlanmasına neden olabilecek cisimlerden uzak tutun.** Akü uçlarının kısa devre yapması vücudun yanmasına veya yangına neden olabilir.
- **Zorlayıcı koşullarda aküden elektrolit sızabilir; dokunmayın. Kazayla temas ederseniz bol suyla yıkayın. Sıvı göze temas ederse ayrıca doktora başvurun.** Aküden sızan sıvı cildin tahriş olmasına veya yanıklara neden olabilir.
- **Hasarlı veya değiştirilmiş bir akü grubu veya alet kullanmayın.** Hasarlı veya üzerinde değişiklik yapılmış aküler yangın, patlama ya da yaralanma riski ile sonuçlanabilecek beklenmedik davranışlar sergileyebilir.
- **Akü grubunu veya aleti ateşe veya aşırı sıcaklığa maruz bırakmayın.** Bunların ateşe veya 130°C/265°F üzeri sıcaklığa maruz kalması patlamaya neden olabilir.
- **Tüm şarj etme talimatlarına uyun ve akü grubunu ya da aleti talimatlarda belirtilen sıcaklık aralığı dışında şarj etmeyin.** Belirtilen sıcaklık aralığının dışında veya hatalı olarak yapılan şarj işlemleri, aküye zarar verebilir ve yangın riskini artırabilir.

## Ürün kullanımı ve bakımı

- **Ürünü zorlamayın. Yapacağınız iş için doğru ürünü kullanın.** Doğru ürün, tasarlandığı oranda işi daha iyi ve güvenli yapar.
- **Anahtar, ürünü açıp kapatmıyorsa ürünü kullanmayın.** Anahtar ile kontrol edilemeyen ürünler tehlikelidir ve onarılmalıdır.
- **Herhangi bir ayarlamaya yapmadan, aksesuar değiştirmeden veya ürünleri depolamadan önce ürünün fişini güç kaynağından çekin ve/veya çıkarılabilirse akü grubunu çıkarın.** Bu tür önleyici güvenlik önlemleri, ürünün kazara çalıştırılma riskini azaltır.
- **Kullanılmayan ürünleri çocukların erişemeyeceği yerde saklayın ve ürüne veya bu talimatlara yabancı olan kişilerin ürünü çalıştırmasına izin vermeyin.** Ürünler, eğitimsiz kullanıcıların elinde tehlikelidir.
- **Ürün ve aksesuarların bakımını yapın.** Hareketli parçaların yanlış konumlandırılması veya bağlanması, parçaların kırılması ve ürünün çalışmasını etkileyebilecek herhangi bir durum olup olmadığını kontrol edin. Hasarlıysa kullanmadan önce ürünü tamir ettirin. Çoğu kaza yetersiz bakım yapılmış ürünlerden kaynaklanmaktadır.
- **Kesme araçlarını keskin ve temiz tutun.** Bakımı düzgün yapılmış, kesen tarafları yeterli keskinlikte olan kesme araçlarının takılma ihtimali daha az olup kontrol etmesi daha kolaydır.
- **Ürün, aksesuarlar, araç parçaları vb. bileşenleri, çalışma koşullarını ve yapılacak işi göz önünde bulundurarak bu talimatlara uygun şekilde kullanın.** Ürünün tasarlanan amaçları dışında kullanılması tehlikeli bir duruma yol açabilir.
- **Tutma yerlerini ve kavrama yüzeylerini kuru, temiz, gres ve yağdan arındırılmış halde tutun.** Kaygan tutma yerleri ve kavrama yüzeyleri beklenmedik durumlarda ürünün güvenli şekilde kullanılmasına ve kontrol edilmesine izin vermez.

## Akülü alet kullanımı ve bakımı

- **Sadece üreticinin belirttiği şarj aletiyle şarj edin.** Bir akü grubu için uygun olan bir şarj aleti başka bir akü grubuyla kullanıldığında yangın riski doğurabilir.

## Hizmet

- **Ürününüzün yalnızca aynı yedek parçalar kullanan uzman bir tamirci tarafından onarılmasını sağlayın.** Bu, ürünün güvenliğinin sağlanması için gereklidir.
- **Hasarlı akü gruplarına asla servis işlemi uygulamayın.** Akü gruplarının servis işlemleri yalnızca üretici veya yetkili servis sağlayıcıları tarafından gerçekleştirilmelidir.

## Ürün güvenlik uyarıları

- **Ürünü kötü hava koşullarında, özellikle de yıldırım düşmesi riski olduğunda kullanmayın.** Bu, bir yıldırım tarafından çarpılma riskini azaltır.
- **Ürünün kullanılacağı alandaki doğal hayatı dikkatlice inceleyin.** Ürün, çalışma sırasında doğal hayata zarar verebilir.
- **Ürünün kullanılacağı alanı dikkatlice kontrol edin; tüm taşları, dal parçalarını, telleri, kemikleri ve diğer yabancı nesnelere kaldırmın.** Fırlayan nesnelere yaralanmalara neden olabilir.
- **Ürünü kullanmadan önce daima dişlerin ve diş tertibatının aşınmış veya hasarlı olup olmadığını gözle kontrol edin.** Aşınmış veya hasarlı parçalar yaralanma riskini artırır.
- **Çim toplama sepefinden yıpranma veya bozulma olup olmadığını sık sık kontrol edin.** Aşınmış veya hasarlı çim toplama sepeti, yaralanma riskini artırabilir.
- **Siperlikleri yerinde tutun.** Siperlikler çalışır durumda olmalı ve düzgün şekilde monte edilmelidir. Gevşek,

hasarlı veya düzgün çalışmayan bir siperlik, yaralanmalara neden olabilir.

- **Soğutma havası girişlerinde döküntü olmadığından emin olun.** Tıkalı hava girişleri ve döküntüler aşırı ısınmaya veya yangın riskine neden olabilir.
- **Ürünü kullanırken her zaman kaymayan ve koruyucu ayakkabı giyin. Ürünü çıplak ayakta veya açık sandalet giyerek kullanmayın.** Bu, ayakların hareket eden dişlere temas etmesiyle oluşabilecek yaralanma olasılığını azaltır.
- **Ürünü kullanırken her zaman uzun pantolon giyin.** Açıkta kalan cilt, fırlatılan nesnelere kaynaklanan yaralanma olasılığını artırır.
- **Ürünü ıslak çimlerde çalıştırmayın. Yürüyün, asla koşmayın.** Bu, yaralanmaya neden olabilecek kayma ve düşme riskini azaltır.
- **Ürünü aşırı dik eğimlerde kullanmayın.** Bu, yaralanmaya neden olabilecek kontrol kaybı, kayma ve düşme riskini azaltır.
- **Eğimli yerlerde çalışırken her zaman yere sağlam basın, makineyi eğimli yüzeye paralel kullanın, asla yukarı veya aşağı doğru kullanmayın ve yön değiştiren çok dikkatli olun.** Bu, yaralanmaya neden olabilecek kontrol kaybı, kayma ve düşme riskini azaltır.
- **Ürünü geri hareket ettiren veya kendinize doğru çekerken çok dikkatli olun. Her zaman çevrenize dikkat edin.** Bu, çalışma sırasında takılma riskini azaltır.
- **Dişler, gizli kablo bağlantılarıyla veya kendi kablosuyla temas edebileceğinden ürünü yalnızca yalıtımlı kavrama alanlarından tutun.** Dişlerin "akım" geçen bir kabloya temas etmesi, makinenin yalıtılmamış metal parçalarına "akım" yüklenmesine ve operatöre elektrik çarpmasına neden olabilir.
- **Hareket halindeyken dişlere ve diğer tehlikeli hareketli parçalara dokunmayın.** Bu, hareketli parçalardan kaynaklanan yaralanma riskini azaltır.
- **Sıkışmış malzemeyi temizlerken veya ürünü temizlerken, tüm güç anahtarlarının kapalı olduğundan ve akü grubu bağlantısının kesildiğinden emin olun.** Ürünün beklenmedik şekilde çalışması ciddi yaralanmalara neden olabilir.

## Genel güvenlik talimatları



**UYARI:** Ürünü kullanmadan önce aşağıdaki uyarı talimatlarını okuyun.

- Bu ürün yanlış kullanıldığında veya dikkatli olmazsanız tehlikelidir. Güvenlik talimatlarına uyulmaması yaralanmalara veya ölüme yol açabilir.
- Bu ürün, çalışırken elektromanyetik bir alan oluşturur. Bu alan, bazı koşullarda aktif veya pasif tıbbi implantlarda parazitlenmeye neden olabilir. Ciddi yaralanmaya veya ölüme neden olabilecek durumların ortaya çıkma riskini azaltmak için tıbbi implantı olan kişilerin, bu ürünü çalıştırmadan

önce doktorlarına ve tıbbi implant üreticilerine danışmalarını öneririz.

- Her zaman dikkatli olun ve sağduyunuzu kullanın. Özel bir durumda ürünü nasıl kullanacağınızdan emin değilseniz durun ve devam etmeden önce Husqvarna bayinizle görüşün.
- Diğer insanlar veya bu insanlara ait mülkleri içeren kazaardan operatörün sorumlu tutulacağını unutmayın.
- Ürünü temiz tutun. İşaretleri ve etiketleri net bir şekilde okuyabildiğinizden emin olun.
- Çocukların veya bu kullanma talimatlarını bilmeyen kişilerin cihazı kullanmasına asla izin vermeyin. Yerel yönetmeliklerde operatör yaşı konusunda bir sınırlama olabilir.
- Fiziksel veya zihinsel kapasitesi düşük olan bir kişi ürünü kullanırken bu kişiyi daima gözetim altında tutun. Sorumluluk sahibi bir yetişkin her zaman orada olmalıdır.
- Ürünü yorgunken, hastayken veya alkol ya da ilaç etkisi altındayken kullanmayın. Bu durum görüş, dikkat, koordinasyon ve doğru bir şekilde düşünmenizi olumsuz yönde etkiler.
- Hasarlı veya düzgün çalışmıyorsa ürünü kullanmayın.
- Başkaları tarafından değiştirilmiş olma olasılığı varsa bu ürünü değiştirmeyin veya kullanmayın.

## Çalışma güvenliği



**UYARI:** Ürünü kullanmadan önce aşağıdaki uyarı talimatlarını okuyun.

- Bu ürünü sadece çimenlik alanlardaki zor çürüyen bitkisel tabakayı ve yosunları temizlemek için kullanın. Ürünün başka işler için kullanılması yasaktır.
- Kişisel koruyucu ekipmanlar kullanın. Bkz. *Kişisel koruyucu ekipman sayfa: 416*.
- Acil bir durumda motoru hızlı bir şekilde nasıl kapatacağınızı öğrenin.
- Ürünü yağmurda veya ıslak koşullarda çalıştırmayın. Bu, elektrik çarpması riskini artırabilir.
- Dişleri ve tüm kapakları doğru bir şekilde takmadan ürünü çalıştırmayın. Yanlış bir şekilde takılan dişler gevşeyerek yaralanmanıza neden olabilir.
- Dişlerin taş veya kök gibi nesnelere çarpmasına dikkat edin. Bu, dişlere zarar verebilir ve motor milini bükebilir. Bükülmüş aks, ağır titreşime ve çok yüksek bir diş gevşemesi riskine neden olabilir.
- Dişler bir nesneye çarpar veya titreşim olursa ürünü hemen durdurun. Motoru durdurun, güvenlik anahtarını 0 konumuna getirin ve aküyü çıkarın. Hareketli parçalar durana kadar bekleyin. Üründe hasar olup olmadığını kontrol edin. Gevşek parçaları sıkın. Hasarları onarın ve hasarlı parçaları değiştirin. Onarımı yetkili bir servis noktasında yaptırın.

- Motor çalıştırıldığında motor fren kolunu asla sürekli olarak tutma yerine takmayın.
- Ürünü sabit ve düz bir yüzeye koyup çalıştırın. Dişlerin yere veya diğer cisimlere çarpmadığından emin olun.
- Ürünü çalıştırırken her zaman arkasında durun.
- Ürünü kullanırken tüm tekerleklerin yere basmasını sağlayın ve 2 elinizi tutma yerinin üzerinde tutun. Ellerinizi ve ayaklarınızı döner dişlerden uzakta tutun.
- Motoru çalıştırırken veya ürünün çalışması sırasında ürünü eğmeyin.
- Ürünü arkaya doğru çekerken dikkatli olun.
- Motor çalışırken ürünü hiçbir zaman yukarı kaldırmayın. Ürünü kaldırmamız gerekiyorsa öncelikle motoru durdurun, güvenlik anahtarını 0 konumuna getirin ve aküyü çıkarın.
- Ürünü kullanırken arkaya doğru yürümeyin.
- Ürünü taşımak için yatırmamız gerektiğinde veya çim bulunmayan alanlarda (örneğin çakıl, taş ve asfalttan yapılan yollar) hareket etmeden önce motoru durdurun.
- Motor çalışırken ürünle birlikte koşmayın. Ürünü kullanırken her zaman yürüyün.
- Çalıştırma derinliğini değiştirmeden önce motoru durdurun. Motor çalışırken asla ayarlama yapmayın.
- Motor çalışırken ürünün görüş alanından çıkmasına asla izin vermeyin. Motoru durdurun, güvenlik anahtarını 0 konumuna getirin ve aküyü çıkarın. Ayırıştırıcı ekipmanının dönmediğinden emin olun.
- Çalışma sırasında üründeki titreşimler, şu bölümde belirtilen titreşim değerinden farklı olabilir: *Teknik veriler sayfasında: 423*. Fark, ürünün kullanım şeklindeki değişikliklerden kaynaklanır. Ürünü sıklıkla veya uzun süre kullanıyorsanız titreşimlerden kaynaklanabilecek yaralanmaları önlemek için düzenli olarak mola verin.

## Kullanım için güvenlik talimatları

### Kişisel koruyucu ekipman



**UYARI:** Ürünü kullanmadan önce aşağıdaki uyarı talimatlarını okuyun.

- Kişisel koruyucu ekipmanlar yaralanma riskini tamamen engelleyemez ancak bir kaza durumunda yaralanmanın derecesini azaltır. Bayinizin doğru ekipmanı seçmenize yardımcı olmasını sağlayın.
- Ağır hizmet tipi kaymayan botlar veya ayakkabılar kullanın. Açık ayakkabılar giymeyin veya çıplak ayakla yürümeyin.
- Kalın, uzun pantolonlar giyin.
- Kesme donanımını takma, kontrol etme veya temizleme gibi gerekli durumlarda koruyucu eldivenler kullanın.
- Kulak koruma ekipmanı kullanmanızı öneririz.

## Ürünün üzerindeki güvenlik araçları



**UYARI:** Ürünü kullanmadan önce aşağıdaki uyarı talimatlarını okuyun.

- Güvenlik araçları hasarlı olan veya düzgün çalışmayan bir ürünü kullanmayın.
- Güvenlik araçlarını çıkarmayın veya araçların üzerinde değişiklik yapmayın.
- Güvenlik araçlarını düzenli olarak kontrol edin. Güvenlik araçları hasarlıysa veya düzgün çalışmıyorsa Husqvarna servis noktanızla görüşün.

### Kapakları kontrol etme

Ayrıştırıcı kapağı, üründeki titreşimleri ve ayırıştırıcı ekipmanının neden olabileceği yaralanma riskini azaltır.

- Yan ayırıştırıcı kapağını inceleyip çatlak gibi hasarlar olmadığından emin olun.
- Arka kapağı inceleyip çatlak gibi hasarlar olmadığından emin olun.

### Motor fren kolu

Motor fren kolu motoru durdurur. Motor fren kolu serbest bırakıldığında motor durur.

Motor frenini kontrol etmek için motoru çalıştırıp motor fren kolunu serbest bırakın. Motor 3 saniye içinde durmazsa motor frenini onaylı bir Husqvarna servis noktasına ayarlatın.

(Şek. 19)

### Güvenlik anahtarı

Güvenlik anahtarı, akü kapağının altındadır. Güvenlik anahtarı, motora güç sağlayan aküyü bağlamak için kullanılır.

- Güvenlik anahtarını kontrol etmek için motoru çalıştırıp durdurun.
- Güvenlik anahtarı doğru çalışıyorsa motor sadece anahtar 1 konumuna getirildiğinde çalışır.

(Şek. 20)

### Başlatma engelleyiciyi inceleme

Başlatma engelleyiciyi kontrol edip motorun çalışmasını engellediğinden emin olun.

1. Motor fren kolunu gidonun yönünde itin. Başlatma engelleyici, hareketi durdurur.
2. Başlatma engelleyiciyi dışarı doğru itin. (Şek. 21)
3. Başlatma engelleyiciyi serbest bırakın ve başlangıç konumuna geri döndüğünden emin olun.

### Akü güvenliği



**UYARI:** Ürünü kullanmadan önce aşağıdaki uyarı talimatlarını okuyun.



- İlgili Husqvarna ürünleri için güç kaynağı olarak yalnızca Husqvarna şarj edilebilir akülerini kullanın. Yaralanmayı önlemek için aküyü başka cihazların güç kaynağı olarak kullanmayın.
- Şarj edilebilir olmayan akü kullanmayın.
- Elektrik çarpması riski. Akü terminallerini anahtarlara, madeni paralara, vidalara veya diğer metallere bağlamayın. Bu, aküde kısa devreye neden olabilir.
- Akünün hava deliklerine herhangi bir nesne koymayın.
- Aküyü güneş ışığından, ısı kaynaklarından veya açık alevlerden uzak tutun. Akü patlayabilir ve yanıklara ve/veya kimyasal yanıklara neden olabilir.
- Aküyü yağmurdan ve ıslak koşullardan uzak tutun.
- Aküyü mikrodalgalardan ve yüksek basınçtan uzak tutun.
- Aküyü parçalarına ayırmaya veya kırmaya çalışmayın.
- Aküde sızıntı varsa sıvının vücudunuza veya gözlerinize temas etmesine izin vermeyin. Sıvıya temas ederseniz etkilenen bölgeyi bol suyla yıkayın ve tıbbi yardım alın.
- Üründeki aküyü yalnızca 5°C - 40°C arasındaki ortam sıcaklıklarında kullanın.
- Akü şarj cihazını yalnızca 5°C - 40°C arasındaki ortam sıcaklıklarında kullanın.
- Akü sıcaklığı 50°C'nin üzerindeyse akü şarj olmaz.
- Aküyü veya akü şarj cihazını suyla temizlemeyin. Bkz. *Akü sayfada: 421*.
- Hasarlı bir aküyü kullanmayın.
- Aküleri çivi, madeni para, mücevher gibi metal nesnelere uzak bir yerde saklayın.

## Akü şarj cihazı güvenliği



**UYARI:** Ürünü kullanmadan önce aşağıdaki uyarı talimatlarını okuyun.

- QC akü şarj cihazlarını yalnızca Husqvarna yedek akülerini şarj etmek için kullanın.
- Elektrik çarpması veya kısa devre riski. Şarj cihazının hava deliklerine herhangi bir nesne koymayın. Akü şarj cihazını parçalarına ayırmaya çalışmayın. Şarj cihazı terminallerini metal nesnelere bağlamayın. Onaylı bir duvar prizi kullanın.
- Bu ürün, çalışırken elektromanyetik bir alan oluşturur. Bu alan, bazı koşullarda aktif veya pasif tıbbi implantlarda parazitlenmeye neden olabilir. Ciddi yaralanmaya veya ölüme neden olabilecek durumların ortaya çıkma riskini azaltmak için tıbbi implantı olan kişilerin, bu ürünü çalıştırmadan önce doktorlarına ve tıbbi implant üreticilerine danışmalarını öneririz.
- Akü şarj cihazının güç kablosunun hasarlı olmadığını ve üzerinde çatlaklar bulunmadığını düzenli olarak kontrol edin.

- Akü şarj cihazını güç kablosundan tutup kaldırmayın. Akü şarj cihazını duvar prizinden çıkarmak için fişi çekin. Güç kablosunu çekmeyin.
- Güç kablosunu ve uzatma kablolarını sudan, yağdan ve keskin kenarlardan uzak tutun. Kabloların kapılara, çitlere veya benzeri yerlere sıkışmadığından emin olun. Bu durum şarj cihazının elektrik yüklenmesine sebep olabilir.
- Akü şarj cihazını suyla temizlemeyin.
- Akü şarj cihazı, gözetim altında tutuldukları ya da akü şarj cihazının güvenli şekilde kullanımına ilişkin talimatlar sağlandığı ve gerçekleştirilecek tehlikeler açıklandığı sürece 8 yaş ve üzeri çocuklar ve fiziksel, duyuşsal veya zihinsel yetenekleri sınırlı olan ya da yetersiz deneyim ve bilgiye sahip kişiler tarafından kullanılabilir. Çocuklar akü şarj cihazı ile oynamamalıdır. Temizlik ve kullanıcı bakım işlemleri gözetim olmadan çocuklar tarafından gerçekleştirilmemelidir.
- Akü şarj cihazında şarj edilemeyen aküleri şarj etmeyi denemeyin.
- Akü şarj cihazını, yanıcı malzemelerin veya korozyona neden olabilecek malzemelerin yakınında kullanmayın. Akü şarj cihazının üzerini kapatmayın. Duman veya ateş çıkması durumunda akü şarj cihazının fişini çekip çıkarın.
- Hatalı veya hasarlı akü şarj cihazlarını kullanmayın.
- Aküyü yalnızca kapalı alanda, iyi hava akışı olan ve güneş ışığından uzak bir odada şarj edin. Aküyü ıslak koşullarda şarj etmeyin.

## Bakım için güvenlik talimatları



**UYARI:** Ürünü kullanmadan önce aşağıdaki uyarı talimatlarını okuyun.

- Bakım sırasında yanlışlıkla çalıştırmayı önlemek için güvenlik anahtarını 0 konumuna getirin ve aküyü çıkarın. Bakıma başlamadan önce en az 5 saniye bekleyin.
- Ürünün ömrünü uzatmak ve kaza riskini azaltmak için bakım işini doğru şekilde yapın. Onaylı bir servis noktasında profesyonel onarım yaptırın. Daha fazla bilgi için size en yakın servis noktası ile görüşün.
- Yalnızca bu kullanım kılavuzunda belirtilen bakım çalışmasını yapın. Bu kapsamın dışındaki işlemler onaylı bir servis noktası tarafından yapılmalıdır.
- Yaralanmaları önlemek için güvenlik cihazlarını çıkarmayın veya cihazların üzerinde değişiklik yapmayın.
- Ayırıştırıcı ekipmanını kullanırken ağır hizmet tipi eldiven giyin. Ayırıştırıcı ekipmanı çok keskindir ve kolaylıkla kesiklere yol açabilir.
- En iyi ve en güvenli performans için ayırıştırıcı ekipmanındaki dişlerin keskin ve temiz olmasına özen gösterin.

- Servis noktasının düzenli olarak ürünü kontrol etmesini ve gerekli ayarları ve onarımları yapmasını sağlayın.
- Hasarlı, aşınmış veya bozuk parçaları değiştirin. Her zaman üreticinin orijinal yedek parçalarını kullanın. Diğer yedek parçalar üründe hasara neden olabilir ve kaza riskini artırabilir.

- Aksesuar değiştirmeye ilgili talimatlara uyun. Yalnızca üreticiden gelen aksesuarları kullanın.
- Çalışmadığı zaman ürünü, aküyü ve akü şarj cihazını ayrı olarak kuru, kapalı ve kilitli bir alanda saklayın. Çocukların ve onaylı olmayan kişilerin ürüne, aküye veya akü şarj cihazına erişemediklerinden emin olun.

## Montaj

### Giriş



**UYARI:** Ürünü monte etmeden önce, güvenlik bölümünü okuyun.



**UYARI:** Montaj sırasında yanlışlıkla çalıştırmayı önlemek için güvenlik anahtarını 0 konumuna getirin, aküyü çıkarın ve en az 5 saniye bekleyin.

### Kolun takılması

1. Alt düğmeleri gevşetin.
2. Düğmeleri ürünün sol ve sağ tarafındaki girintilerin alttaki ucuna getirin. (Şek. 22)
3. Kol yüksekliğini mevcut 2 konumdan birine ayarlayın.
4. Düğmeleri durana ve tık sesi duyulana kadar kol yönünde yukarı hareket ettirin. (Şek. 23)

5. Düğmeleri tamamen sıkın.

### Çim toplama sepetinin takılması

1. Çim toplama sepeti çerçevesini, torbanın sert kısmı aşağı gelecek şekilde çim torbasına takın. Çerçevenin kolunu çim torbasının üst kısmında tutun. (Şek. 24)
2. Çim toplama sepeti çerçevesinin alt kısmını çim toplama sepetinin altındaki oluğa takın.
3. Çim torbasını, kliplerle çim toplama sepeti çerçevesine takın. (Şek. 25)
4. Arka kapağı kaldırın.
5. Çim toplama sepetini doğru konuma getirin. (Şek. 26)
6. Çim toplama sepetini şasinin üst kenarına takın. Dökmeyi önlemek için arka kapağın çim toplama sepetine oturduğundan emin olun. (Şek. 27)

## Çalışma

### Giriş



**UYARI:** Ürünü kullanmadan önce güvenlik bölümünü okuyup anlamalısınız.

### Husqvarna Connect

Husqvarna Connect, mobil cihazınız için ücretsiz bir uygulamadır. Husqvarna Connect uygulaması, Husqvarna ürününüz için ayrıntılı işlevler sunar:

- Ayrıntılı ürün bilgileri.
- Ürün parçaları ve servis hakkında bilgi ve yardım.

### Husqvarna Connect uygulamasını kullanmaya başlamak için

1. Husqvarna Connect uygulamasını mobil cihazınıza indirin.
2. Husqvarna Connect uygulamasında kaydolun.
3. Ürünü bağlamak ve kaydettirmek için Husqvarna Connect uygulamasındaki talimatları izleyin.

### Çalışma derinliğini ayarlama



**UYARI:** Ürünü çalıştıran çalışma derinliğini ayarlamayın.

1. Çalışma derinliğini artırmak için çalışma derinliği ayar düğmesine basın ve saat yönünün tersine çevirin.
2. Çalışma derinliğini azaltmak için çalışma derinliği ayar düğmesine basın ve saat yönünde çevirin. (Şek. 28)

### Akü



**UYARI:** Aküyü kullanmadan önce güvenlik bölümünü okuyup anlamalısınız. Akü ve akü şarj cihazına ait kullanım kılavuzunu da okuyup anlamalısınız.

Aküye ve akü şarj cihazını doğru ortam sıcaklıklarında tutun.

	Ortam sıcaklığı
Akü çalışma sıcaklığı	5°C - 40°C
Akü şarj etme sıcaklığı	5°C - 40°C

## Akü durumu

Ekranında, kalan akü kapasitesi ve aküyle ilgili sorun olup olmadığı gösterilir. Akünün şarj durumu hakkında bilgi almak için akü göstergesi üzerine basın. Bir hata meydana geldiğinde akünün üzerindeki uyarı simgesi yanar. Bkz. *Akü sayfada: 421*.

(Şek. 29)

LED lambalar	Akü durumu
Tüm LED'ler yanıyor	Tamamen dolu (%76-100)
LED 1, LED 2, LED 3 yanıyor	Akü %51 - %75 dolu
LED 1, LED 2 yanıyor	Akü %26 - %50 dolu
LED 1 yanıyor	Akü %6 - %25 dolu.
LED 1 yanıp söniyor	Akü %0 - %5 dolu.

## Aküyü şarj etme

İlk kullanımdan önce aküyü şarj edin. Akü, müşteriye tedarik edildiğinde yalnızca %30 oranında doludur.

**Not:** Akü şarj cihazı, nominal değerler plakasında belirtilen voltaj ve frekansa bağlanmalıdır.

Akü sıcaklığı 50°C'nin üzerindeyse akü şarj olmaz. Akü şarj cihazı, şarj işlemine başlamadan önce akünün sıcaklığını düşürür.

1. Akü şarj cihazının güç kablosunun bir ucunu akü şarj cihazının soketine bağlayın.
2. Akü şarj cihazının güç kablosunun diğer ucunu topraklamalı bir elektrik prizine bağlayın. Akü şarj cihazındaki LED bir kez yeşil renkte yanıp söner. (Şek. 30)
3. Aküyü şarj cihazına yerleştirin. Akü, akü şarj cihazına doğru şekilde bağlandığında, şarj cihazı üzerindeki yeşil ışık yanar. (Şek. 31)
4. Akü üzerindeki tüm LED'ler yandığında akü tam olarak şarj olmuştur. Aküyü en fazla 24 saat boyunca şarj edin.
5. Akü şarj cihazını elektrik prizinden çıkarmak için güç kablosunu değil fişi çekin.
6. Aküyü şarj cihazından çıkarın.

## Ürünü çalıştırma

1. Şarj olmuş bir aküyü, akü kapağının altındaki 1 numaralı akü bölümüne yerleştirin. Daha uzun süreli çalışma için şarj olmuş ikinci bir aküyü 2 numaralı akü bölümüne yerleştirin.
2. Güvenlik anahtarını 1 konumuna getirin. (Şek. 32)
3. Ürünün arkasında durun.
4. Kontrol panelindeki AÇMA/KAPAMA düğmesine (A) basın, yeşil LED (B) yanar. (Şek. 33)
5. Başlatma engelleyiciyi gevşetin. (Şek. 34)
6. Motor freni kolunu gidonun yönünde itin. (Şek. 35)

## SavE işlevinin kullanılması

Üründe, daha uzun süre çalışma sağlayan bir akü tasarruf işlevi (SavE) bulunur.

1. İşlevi başlatmak için SavE düğmesine (A) basın. Yeşil LED yanar. (Şek. 36)
2. İşlevi durdurmak için SavE düğmesine tekrar basın. Yeşil LED (B) söner.

## Yüksek yük işlevi

Ürün uzun veya ıslak çim keserken motor otomatik olarak devri yükseltir. Yüksek yük gerektiğinde motor, standart moda geri döner.

## Motor duruyor

Çalışma sırasında bıçak ve motor, kesme kapağının altındaki çimden kaynaklanan tıkanma gibi engeller nedeniyle geçici olarak durabilir. Bu durum meydana gelir ve motor fren kolunu basılı tutarsanız ürün otomatik olarak yeniden çalışır. Ürün 5-10 saniye içinde yeniden çalışmazsa kesme kapağının alt kısmını temizlemek gerekebilir. Talimatlar için bkz. *Ürünün temizlenmesi sayfada: 420*.



**UYARI:** Motor durursa ürün 5-10 saniye boyunca otomatik olarak yeniden çalışmayabilir. Kesme kapağını kontrol etmeden önce en az 15 saniye bekleyin.



**UYARI:** Kesme kapağını kontrol etmeden önce motor fren kolunu serbest bırakın, güvenlik anahtarını 0 konumuna getirin, aküyü çıkarın ve en az 5 saniye bekleyin. Tıkanıklık giderildiği sırada ürün yanlışlıkla çalışırsa yaralanma riski vardır.

## Ürünü durdurma

10 dakika boyunca kullanmazsanız ürün otomatik olarak durur. Motor çalışırken ürünün görüş alanından çıkmasına asla izin vermeyin. Motoru durdurun, güvenlik anahtarını 0 konumuna getirin ve aküyü çıkarın. Ayrıştırıcı ekipmanının dönmediğinden emin olun.

1. Motoru durdurmak için motor fren kolunu serbest bırakın. (Şek. 37)
2. Kontrol panelindeki AÇMA/KAPAMA düğmesine (A) basın, yeşil LED (B) söner. (Şek. 33)
3. Akü kapağını açın ve güvenlik anahtarını 0 konumuna getirin. (Şek. 38)

4. Aküyü çıkarmak için 2 serbest bırakma düğmesine aynı anda basın ve aküyü çekip çıkarın. (Şek. 39)
5. Akünün gücü zayıfsa aküyü şarj edin. Daha fazla bilgi için bkz. *Aküyü şarj etme sayfa: 419.*

## Bakım

### Giriş



**UYARI:** Bakım yapmadan önce güvenlik bölümünün okuyup anlamazın gerekir.

Ürüne uygulanacak tüm servis ve onarım işlemleri için özel eğitim gereklidir. Profesyonel onarım ve servis hizmetlerinin mevcut bulunduğunu garanti etmekteyiz. Yetkili satıcınız servis noktası değilse kendisiyle görüşüp en yakınınızdaki servis noktası hakkında bilgi edinin.

Daha ayrıntılı bilgi için bkz. [www.husqvarna.com](http://www.husqvarna.com).

### Bakım takvimi

Bakım aralıkları, ürünün günlük kullanımına göre hesaplanır. Ürün her gün kullanılmıyorsa aralıklar değişir.

\* İşaretili bakım işlemleri için bkz. *Ürünün üzerindeki güvenlik araçları sayfa: 416.*

S 138i	Her kullanımda	Aylık	Her mevsimde
Genel inceleme yapın.	X		
Ürünü temizleyin.	X		
Ayrıştırıcı ekipmanını inceleme.	X		
Üründeki güvenlik araçlarının hatalı olmadığından emin olun. *	X		
Kapakları kontrol edin. *	X		
Motor fren kolunu kontrol edin. *	X		
Başlatma engelleyiciyi kontrol edin. *	X		
AÇMA/KAPAMA düğmesinin doğru şekilde çalıştığından ve hatalı olmadığından emin olun.	X		
Aküde hasar olup olmadığını kontrol edin.	X		
Akü şarjını kontrol edin.	X		
Aküdeki serbest bırakma düğmelerinin doğru şekilde çalıştığından ve akünün ürüne sabitlendiğinden emin olun.	X		
Akü şarj cihazında hasar olup olmadığını kontrol edin ve cihazın doğru şekilde çalıştığından emin olun.		X	
Akü ile ürün arasındaki bağlantıları kontrol edin. Akü ile akü şarj cihazı arasındaki bağlantıyı da kontrol edin.			X

### Genel denetim yapma

- Ürünün üzerindeki somun ve vidaların sıkı olduğundan emin olun.
- Üründeki kabloların hasar görebilecekleri bir konumda olmadığından emin olun.

### Ürünün temizlenmesi

- Plastik parçaları temiz ve kuru bir bezle temizleyin.
- Ürünü temizlemek için su kullanmayın. Aküye veya motora su girebilir ve üründe kısa devreye veya hasara neden olabilir.
- Ürünü temizlemek için yüksek basınçlı yıkayıcı kullanmayın.
- Motora doğrudan su tutmayın.

- Yaprak, çim ve kirleri gidermek için fırça kullanın.

## Aküyü ve akü şarj cihazını temizleme



**UYARI:** Aküyü veya akü şarj cihazını suyla temizlemeyin.



**UYARI:** Aküyü temizlemek için kimyasal maddeler kullanmayın.

- Aküyü akü şarj cihazına yerleştirmeden önce akünün ve akü şarj cihazının temiz ve kuru olduğundan emin olun.
- Akü terminallerini basınçlı hava ile temizleyin veya yumuşak ve kuru bir bez ile silin.
- Akü ve akü şarj cihazının yüzeylerini yumuşak ve kuru bir bezle temizleyin.

## Ayrıştırıcı ekipmanını kontrol etme



**UYARI:** Yanlışlıkla çalıştırmayı önlemek için güvenlik anahtarını 0 konumuna getirin, aküyü çıkarın ve en az 5 saniye bekleyin.



**UYARI:** Ayrıştırıcı ekipmanında bakım yaparken koruyucu eldiven kullanın. Ayrıştırıcı ekipmanındaki dişler çok keskindir ve kolaylıkla kesiklere yol açabilir.

- Ayrıştırıcı ekipmanında hasar veya çatlak olup olmadığını inceleyin. Hasarlı bir ayrıştırıcı ekipmanını mutlaka değiştirin.

## Çim havalandırıcı ekipmanını değiştirme



**UYARI:** Çim havalandırıcı ekipmanında bakım yaparken koruyucu eldiven kullanın. Çim havalandırıcı ekipmanı çok keskindir ve kolaylıkla kesiklere yol açabilir

1. Ürünü sağa yatırın. (Şek. 40)
2. 2 vidayı (A) ve çim havalandırıcı kapağını (B) çıkarın. Çim havalandırıcı ekipmanını (C) yukarı ve dışarı doğru iterek çıkarın. (Şek. 41)
3. Yeni çim havalandırıcı ekipmanını (C) yuvaya yerleştirin ve aşağıdaki deliğe doğru itin. Çim havalandırıcı kapağını (B) ve 2 vidayı (A) takın (Şek. 42)

## Sorun giderme

### Akü

Aküdeki LED	Neden	Çözüm
Yeşil LED yanıp sönüyor.	Akü voltajı düşüktür.	Aküyü şarj edin. Bkz. <i>Aküyü şarj etme sayfa: 419.</i>
Akü hata LED'i yanıp sönüyor.	Akü kullanılmayacak kadar soğuk ya da sıcaktır.	Akünün soğumasını bekleyin veya ısınması için kapalı mekana taşıyın. Akü doğru sıcaklığa geldiğinde tekrar kullanılabilir. Üründeki aküyü yalnızca ortam sıcaklığı 5°C - 40°C arasında olduğunda kullanın.
	Akü boştur.	Aküyü şarj edin. Bkz. <i>Aküyü şarj etme sayfa: 419.</i>
Akü hata LED'i yanıyor.	Kalıcı akü hatası vardır.	Husqvarna servis bayinize ile iletişime geçin.

## Akü şarj cihazı

Akü şarj cihazındaki LED	Neden	Çözüm
Hata LED'i yanıyor veya yanıp sönüyor.	Akü şarj cihazı kullanılmayacak kadar soğuk ya da sıcaktır.	Akü şarj cihazının soğumasını bekleyin veya ısınması için kapalı mekana taşıyın. Akü şarj cihazı doğru sıcaklığa geldiğinde tekrar kullanılabilir. Akü şarj cihazını yalnızca ortam sıcaklığı 5°C - 40°C arasında olduğunda kullanın.
	Diğer hatalar.	Husqvarna servis bayinize ile iletişime geçin.

## Kontrol paneli

Hata	Hata kodu (Yanıp sönme sayısı)	Olası arızalar	Olası işlem	
Hata LED'i yanıp sönüyor	3	Motorda aşırı yük oluşuyor.	Çalışma derinliğini azaltın. Bkz. <i>Çalışma derinliğini ayarlama sayfa: 418</i> . Hata LED'i yanıp sönmeye devam ediyorsa ayırıştırıcı ekipmanı tıkanmıştır. Yanlışlıkla çalıştırmayı önlemek için güvenlik anahtarını 0 konumuna getirin, aküyü çıkarın ve en az 5 saniye bekleyin. Ayırıştırıcı ekipmanının serbestçe hareket edebildiğinden emin olun. Sorun devam ederse yetkili bir servis noktasıyla görüşün.	
	5	Motor devri çok düşüyor ve motor duruyor.		
	9	Motor denetleyicisi çok sıcak.		Motoru durdurun ve soğuyana kadar bekleyin.
	7	Akü hatası oluştu veya akü sinyali yok.		Aküyü ürüne doğru şekilde yerleştirin ve akü konektörünü kontrol edin. Aküdeki hata LED'i yanıp sönerse bkz. <i>Akü sayfa: 421</i> .
		Akünün gücü zayıf.	Aküyü şarj edin. Bkz. <i>Aküyü şarj etme sayfa: 419</i> .	
Ürün duruyor	6	Akünün gücü zayıf.	Aküyü şarj edin. Bkz. <i>Aküyü şarj etme sayfa: 419</i> .	
	Yanıp sönme yok.	Akü konektörü arızası.	Akü konektörünü kontrol edin.	
Diğer hatalar	Başka hatalar oluşursa güvenlik anahtarını 0 konumuna getirin, aküyü çıkarın ve onaylı bir servis noktasıyla görüşün.			

## Taşıma, depolama ve atma

### Giriş



**UYARI:** Taşıma ve depolama sırasında yanlışlıkla çalışmayı önlemek için güvenlik anahtarını 0 konumuna getirin, aküyü çıkarın ve en az 5 saniye bekleyin.

### Taşıma

- Ürün içindeki Lityum iyon aküler Tehlikeli Maddeler Kanunu gerekliliklerine tabidir.
- Ticari amaçlı taşımalarda, paketteki ve etiketlerdeki özel gerekliliklere uyulmalıdır.

- Ürünü taşıma için hazırlarken tehlikeli malzeme yönetmeliklerine uyduğunuzdan emin olun. Yerel yönetmelikler uygulanabilir.
- Ürünü taşıırken aküyü kesinlikle çıkarın.
- Akü konektörlerine bant yapıştırın ve taşıma sırasında akünün hareket edemeyeceğinden emin olun.
- Taşıma sırasında ürünü bağlayın.

## Depolama

- Ürünü depolarken aküleri kesinlikle çıkarın.
- Depolamadan önce ürünün soğumasını bekleyin.
- Kazaları önlemek için depolama sırasında akünün ürüne bağlı olmadığından emin olun.
- Akü şarj cihazını kapalı ve kuru bir alanda tutun.
- Aküyü ve akü şarj cihazını, nem veya don olmayan kuru bir alanda tutun.
- Depolama sırasında aküyü şarj cihazından ayırın.
- Aküyü, statik elektrik oluşabilecek yerlerde tutmayın. Aküyü metal bir kutuda tutmayın.
- Ürünü, ortam sıcaklığının -10°C ile 40°C arasında olduğu bir yerde tutun.
- Aküyü, sıcaklığın 5°C ile 25°C arasında olduğu ve güneş ışığı almayan yerlerde tutun.
- Akü şarj cihazını, sıcaklığın 5°C ile 45°C arasında olduğu ve güneş ışığı almayan yerlerde tutun.

- Uzun süreli depolamadan önce akünün %30 - %50 arasındaki bir seviyede şarjlı olduğundan emin olun.
- Ürünü, aküyü ve akü şarj cihazını, çocukların ve onaylı olmayan kişilerin erişemeyeceği kilitli bir alanda tutun.
- Ürünü temizleyin ve çim toplama sepetinin boş olduğundan emin olun.
- Bu kullanım kılavuzunda verilen bakım prosedürlerini gerçekleştirin. Bkz. *Bakım takvimi sayfa: 420*.
- Uzun süreli depolamadan önce eksiksiz bir bakım yapın.

## Atma

Ürün veya ürün ambalajı üzerinde bulunan semboller, bu ürünün evsel atık olarak değerlendirilemeyeceğini belirtir. Elektrikli ve elektronik ekipman, kurtarma için uygun bir geri dönüşüm istasyonuna gönderilmelidir.

Bu ürüne doğru önemin verilmesini sağlayarak, çevreye ve insanlara olabilecek potansiyel negatif etkisini önlemeye yardımcı olabilirsiniz, aksi takdirde bu ürünün yanlış atık yönetimi durumunda negatif etkiler meydana gelebilir. Bu ürünün geri dönüşümü hakkında daha ayrıntılı bilgi için belediyenize, mahallenizdeki atık hizmetine veya ürünü satın aldığınız mağazaya danışın.

(Şek. 43)

## Teknik veriler

### Teknik veriler

<b>S 138i</b>	
<b>Motor</b>	
Motor tipi	BLDC (fırçasız) 36 V
Ataşman devri – SavE, dev/dak	3000
Ataşman devri – Nominal, dev/dak	3200
Motor çıkışı – maks. kW	1,28
Motor çıkışı – Nominal, kW	0,9
<b>Ağırlık</b>	
Torbasız ağırlık (akü hariç), kg	19,5
Torbayla birlikte ağırlık (1 adet BLi30 dahil), kg	23
<b>Akü</b>	
Akü tipi	Husqvarna Akü Serisi
<b>Akü çalışma süresi</b>	
Bir adet Husqvarna 7,5 Ah akü (BLi30) ile birlikte SavE etkin durumdayken dakika cinsinden akü çalışma süresi (serbest çalışma).	195

<b>S 138i</b>	
Bir adet Husqvarna 7,5 Ah akü (BLi30) ile birlikte standart mod etkin durumdayken dakika cinsinden akü çalışma süresi (serbest çalışma).	175
<b>Gürültü emisyonu</b> <sup>76</sup>	
Ses gücü düzeyi, ölçülmüş dB (A)	89
Ses gücü düzeyi, garantili L <sub>WA</sub> dB (A)	91
<b>Ses düzeyleri</b> <sup>77</sup>	
Operatörün kulağındaki ses basıncı düzeyi, dB(A)	75
<b>Titreşim düzeyleri</b> <sup>78</sup>	
Tutma yeri, m/sn <sup>2</sup>	5,5
<b>Çalışma</b>	
Maks./min. çalışma derinliği, mm	-8/+5
Çalışma genişliği, cm	37,5
Bıçak dişler ataşmanı	5973510-01
Yaylı dişler ataşmanı	5973509-01
Çim toplama sepeti kapasitesi, litre	45

Onaylı aküler	Tip	Akü kapasitesi, Ah	Voltaj, V	Ağırlık, lb / kg
BLi30	Lityum iyon	7,5	36	4,2 / 1,9
40-B140	Lityum iyon	4,0	36	2,6 / 1,2

Belirtilen aküler için onaylı şarj cihazları, BLi	Giriş voltajı, V	Frekans, Hz	Güç, W
40-C80	100-240	50-60	68,8
QC250	220-240	50	250

<sup>76</sup> 2000/14/AT sayılı AT direktifi uyarınca ses gücü (L<sub>WA</sub>) olarak çevrede ölçülen gürültü emisyonu düzeyi.

<sup>77</sup> Ses basıncı düzeyi için bildirilen verilerde 1,5 dB (A) değerinde belirsizlik faktörü (K) mevcuttur.

<sup>78</sup> Titreşim düzeyleri için bildirilen verilerde 1,5 m/sn<sup>2</sup> değerinde belirsizlik faktörü (K) mevcuttur. Beyan edilen toplam titreşim değeri EN 62841-4-7 standardı, Ek l'e göre hesaplanmıştır ve bir makineyi bir diğeriyle karşılaştırmak ve maruz kalma ön değerlendirmesi yapmak için kullanılabilir.



---

## Uyumluluk Bildirimi

---

## AB Uyumluluk Bildirimi

Biz, **Husqvarna AB**, SE-561 82 Huskvarna, İsveç, tel: +46-36-146500 olarak tek sorumlu vasfıyla ürüne ilişkin aşağıdaki beyanlarda bulunmaktayız:

<b>Açıklama</b>	Zemin kazıyıcı
<b>Marka</b>	Husqvarna
<b>Tip/Model</b>	S 138i
<b>Kimlik</b>	2023 ve sonrası tarihli seri numaraları

aşağıdaki AB direktifleri ve yönetmelikleriyle tamamen uyumludur:

<b>Direktif/Yönetmelik</b>	<b>Açıklama</b>
2011/65/AB	"elektrikli ve elektronik ekipmanlarda belirli tehlikeli maddelerin kullanımının kısıtlanmasıyla ilgili"
2006/42/AT	"makinelere ilgili"
2014/30/AB	"elektromanyetik uyumlulukla ilgili"
2000/14/AT	"çevredeki gürültü emisyonlarıyla ilgili"

ve aşağıdaki standartlar ve/veya teknik özellikler uygulanmıştır: EN 62841-1:2015/A11:2022, EN IEC 62841-4-7:2022/A11:2022, EN ISO 12100:2010, EN 55014-1:2017/A11:2020, EN 55014-2:2015, EN IEC 63000:2018.

Gürültü emisyonu ile ilgili bilgi için bkz. *Teknik veriler sayfa: 423*.

Huskvarna, 2023-12-30



Claes Losdal

Geliştirme Müdürü/Bahçe Ürünleri

Husqvarna AB

Teknik dokümantasyon sorumlusu

Türk ithalat şirketi daha fazla bilgi için temas edilecek:  
Çullas Orman Bahçe ve Tarım Mak. San. Tic. A.Ş.  
Suadiye Mh. Bağdat Cd. No:455/4  
Kadıköy – 34740 İstanbul / Türkiye  
Telefon: +90 216 519 88 82  
Faks: +90 216 519 88 78  
info@cullas.com.tr



---

## Зміст

---

Вступ.....	427	Усунення несправностей.....	438
Безпека.....	428	Транспортування, зберігання й утилізація.....	439
Збирання.....	434	Технічні характеристики.....	440
Експлуатація.....	434	Декларація відповідності.....	442
ТЕХНІЧНЕ ОБСЛУГОВУВАННЯ.....	436		

---

## Вступ

---

### Опис виробу

Цей виріб – це електричний ґрунторозпушувач, керований пішим оператором. Він прибирає з газону соломку й розпушує ґрунт, щоб у газон потрапляло повітря й вода. Солома збирається в травозбірник чи викидається знову на газон. Виріб має дві ґрунторозпушувальні насадки.

### Ґрунторозпушувальне обладнання

Інформацію щодо заміни ґрунторозпушувального обладнання див. у *Замінення ґрунторозпушувального обладнання на сторінці 438*.

### Вертикальні леза

Вертикальні леза прибирають соломку й вертикально підрізують корені трави. Використовуйте вертикальні

леза на схилах, терасах і ґрунті, який містить багато глини. Вертикальні леза дають воді змогу потрапляти в газон і запобігають її скупченню на поверхні

(Мал. 17)

### Паросткові зубці

Паросткові зубці обережно прибирають із газону суху траву й соломку без шкоди корінню трави.

(Мал. 18)

### Призначення

Використовуйте виріб для прибирання соломи й моху та розпушення ґрунту в приватних садах. Забороняється використовувати продукт для інших завдань.

### Огляд виробу

(Мал. 1)

1. Ручка зупинення двигуна
2. Верхня ручка
3. Панель керування
4. Обмежувач запуску
5. Нижня ручка
6. Травозбірник
7. Задній кожух
8. Кришка ґрунторозпушувача
9. Кришка акумулятора
10. Ручка регулювання робочої глибини
11. Ключ безпеки
12. Світлодіодний індикатор «УВІМК./ВИМКН.»
13. Кнопка увімкнення / вимкнення
14. Кнопка SavE
15. Світлодіодний індикатор функції SavE
16. Індикатор стану заряду акумулятора й кнопка акумулятора
17. Паросткові зубці
18. Акумулятор (додатковий аксесуар)
19. Зарядний пристрій (додатковий аксесуар)
20. Шестигранний ключ
21. Посібник користувача

### Символи на виробі

(Мал. 2) ПОПЕРЕДЖЕННЯ

(Мал. 3) Прочитайте інструкцію.

(Мал. 4) ПОПЕРЕДЖЕННЯ. Остерігайтеся об'єктів, що можуть відлетіти.

(Мал. 5) Не підпускайте сторонніх осіб.

(Мал. 6) ПОПЕРЕДЖЕННЯ. Тримайте руки й ноги на безпечній відстані від лез.

(Мал. 7) Перш ніж проводити технічне обслуговування, від'єднайте акумулятор.

(Мал. 8) Захищайте від дощу.

(Мал. 9) Цей виріб захищено від бризок.

(Мал. 10) Цей виріб відповідає вимогам відповідних директив ЄС.

(Мал. 11) Цей виріб відповідає вимогам застосованих норм Сполученого Королівства.

(Мал. 12) Етикетка з інформацією щодо шумових викидів у навколишнє середовище відповідно до вимог директив і нормативних актів ЄС і Сполученого Королівства та Закону про збереження навколишнього середовища (контроль шуму) 2017 р. Нового Південного Уельсу. Гарантований рівень звукової потужності виробу вказано в розділі *Технічні характеристики на сторінці 440* і на етикетці.

(Мал. 15) Утилізацію виробу необхідно проводити на підприємстві з переробки відходів електричного й електронного обладнання. (Лише для країн Європи.)

(Мал. 16) Порядок запуску: натисніть кнопку «УВІМК./ВИМК.», відпустіть обмежувач запуску й натисніть на ручку зупинення двигуна.

(Мал. 13) Щоб зупинити двигун, відпустіть ручку зупинення двигуна.

(Мал. 14) Сканований код.

**Зверніть увагу:** Інші позначення на виробі відповідають вимогам сертифікації для певних ринків.

## Пошкодження виробу

Ми не несемо відповідальності за пошкодження, якщо:

- виріб було неправильно відремонтовано;
- виріб було відремонтовано із використанням деталей, виготовлених не виробником або не затверджених ним;
- виріб обладнано аксесуаром, виготовленим не виробником або не затвердженим ним;
- виріб було відремонтовано в неавторизованому сервісному центрі або неавторизованою компанією;

---

## Безпека

---

### Визначення щодо безпеки

Попередження, застереження й примітки служать для наголошення на особливо важливих положеннях посібника.



**ПОПЕРЕДЖЕННЯ:** Вказує на те, що в разі порушення інструкцій, наведених у цьому посібнику, існує небезпека поранення або смерті оператора чи інших осіб, що знаходяться поруч.



**УВАГА:** Вказує на те, що в разі порушення інструкцій, наведених у цьому посібнику, існує небезпека пошкодження виробу, інших матеріалів або навколишніх об'єктів.

**Зверніть увагу:** Використовується для надання додаткової інформації щодо певної ситуації.

### Загальні правила техніки безпеки для виробу



**ПОПЕРЕДЖЕННЯ:** Ознайомтеся з усіма попередженнями, правилами техніки безпеки, інструкціями, рисунками й технічними характеристиками до цього виробу. Недотримання наведених далі інструкцій може призвести до враження електричним струмом, пожежі та / або серйозних травм.

**Збережіть усі попереджувальні знаки й інструкції для їх використання в майбутньому.** Терміном «виріб» у попередженнях позначається ваш виріб, що працює від електромережі (з кабелем), або акумуляторний (безпроводний) виріб.

### Безпека в робочій зоні

- **Забезпечуйте порядок та добре освітлення в робочій зоні.** Безлад і погане освітлення сприяють нещасним випадкам.
- **Не використовуйте інструмент у вибухонебезпечному середовищі, наприклад**

поблизу легкозаймистих рідин, газів або пилу.

Виріб утворює іскри, від яких можуть зайнятися пил чи випари.

- **Не підпускайте до себе дітей і сторонніх осіб, коли працюєте з виробом.** Ви можете відволіктися та втратити контроль.

## Особиста безпека

- **Будьте пильними, слідкуйте за тим, що робите, і дотримуйтеся здорового глузду під час експлуатації виробу. Не використовуйте виріб, коли ви втомлені або перебуваєте під впливом наркотиків, алкоголю чи лікарських засобів.** Утрата уваги на мить під час експлуатації виробу може призвести до серйозної травми.
- **Використовуйте засоби індивідуального захисту. Обов'язково необхідно користуватися засобами захисту для очей.** Захисне спорядження, наприклад респіратор, черевки з нековзною підошвою, каска або захисні навушники за використання у відповідних умовах зменшують ризик травмування.
- **Запобігайте випадковому запуску. Переконайтеся, що вимикач перебуває у вимкненому положенні, перш ніж підключати виріб до джерела живлення чи акумуляторної батареї, піднімати або переносити його.** Небезпечно переносити виріб, тримаючи палець на перемикачі, або заряджати його, коли перемикач установлено в положення ввімкнення, оскільки це може призвести до нещасних випадків.
- **Перед увімкненням виробу приберіть будь-які регульовальні або гайкові ключі.** Якщо залишити на деталі виробу, яка обертається, регульовальний або гайковий ключ, це може призвести до травмування.
- **Не тягніться. Завжди дотримуйтесь правильної дистанції і балансування.** Це дасть змогу краще контролювати виріб у несподіваних ситуаціях.
- **Одягайтеся правильно. Не вдягайте просторий широкий одяг, не надягайте на себе ювелірні вироби.** Тримайте волосся й одяг подалі від рухомих частин. Просторий широкий одяг, ювелірні вироби або довге волосся можуть потрапити в рухомі деталі.
- **У разі наявності обладнання з видалення й збору пилу переконайтеся в тому, що воно під'єднано та використовується правильно.** Використання обладнання для збору пилу зменшує ризики, пов'язані з пилом.
- **Досвід роботи, набутий упродовж регулярного використання цього виробу, не є підставою для недбалості експлуатації виробу й нехтування технікою безпеки.** Необережні дії можуть миттєво призвести до тяжких травм.

## Експлуатація виробу та догляд за ним

- **Не докладайте силу до виробу. Використовуйте виріб, що підходить для ваших потреб.** Виріб

краще, безпечніше й швидше виконає ту роботу, для якої він призначений.

- **Не використовуйте виріб, якщо вимикач не працює.** Будь-який виріб, яким неможливо керувати за допомогою вимикача, є небезпечним і підлягає ремонту.
- **Коли ви збираєтесь виконувати будь-які налаштування, заміняти приладдя або залишити виріб на зберігання, спочатку витягніть штекер із розетки живлення чи змінний акумуляторний блок із виробу.** Такі запобіжні заходи зменшують ризик ненавмисного запуску виробу.
- **Вимкнені вироби зберігайте в недоступному для дітей місці й не дозволяйте користуватися ними особам, які не ознайомилися з порядком використання виробу або цією інструкцією.** Вироби становлять небезпеку в руках невідготовлених користувачів.
- **Виконуйте технічне обслуговування виробів і приладдя. Перевіряйте виріб на предмет зміщення чи вигину рухомих деталей, поломок деталей і будь-якого іншого стану, що може негативно позначитися на роботі виробу.** У разі пошкодження відремонтуйте виріб, перш ніж користуватися ним. Багато нещасних випадків виникають унаслідок недостатнього технічного обслуговування виробів.
- **Підтримуйте різальні елементи в нагостреному та чистому стані.** Різальні елементи, що добре обслуговуються та мають гострі різальні кромки, будуть легше керуватися та з меншою імовірністю будуть заклипати.
- **Використовуйте виріб, приладдя й біти відповідно до цієї інструкції, ураховуючи умови та характер роботи, яку потрібно виконати.** Використання виробу для виконання непередбачених операцій може призвести до небезпечної ситуації.
- **Рукоятки та поверхні для тримання мають бути сухими, чистими й незжереними.** Утримання виробу за слизькі рукоятки чи інші поверхні для тримання є порушенням правил техніки безпеки й заважає керувати виробом у непередбачених ситуаціях.

## Використання інструментів з акумуляторною батареєю та догляд за ними

- **Зарядку батареї слід здійснювати виключно за допомогою зарядного пристрою, зазначеного виробником.** Використання зарядного пристрою, призначеного для роботи з батареями одного типу, з батареями іншого типу може спричинити пожежу.
- **Використовуйте пристрій лише із сумісними акумуляторними блоками.** Використання акумуляторних батарей інших типів може призвести до травмування чи пожежі.
- **Якщо акумуляторний блок не використовується, слід тримати його подалі від металевих**

предметів, таких як скріпки, монети, ключі, цвяхи, гвинти й інші дрібні металеві предмети, які можуть з'єднати один контакт батареї з іншим. Замикання контактів акумулятора може призвести до опіків або пожежі.

- У разі неправильного застосування з акумулятора може виплискуватися рідина; уникайте контакту з нею. При випадковому контакті промийте місце контакту водою. В разі потраплення рідини в очі на додаток до їхнього інтенсивного промивання зверніться по медичну допомогу. Рідина з акумуляторної батареї може викликати подразнення та опіки.
- Не використовуйте пошкоджений чи знятий акумуляторний блок або інструмент. Із пошкодженими чи видозміненими батареями може статися непередбачуване: вони можуть зайнятися, вибухнути або створити інший ризик травмування оператора.
- Захищайте акумуляторний блок та інструмент від вогню й надмірних температур. Під впливом вогню або температури понад 130 °C (265°F) може статися вибух.
- Дотримуйтеся всіх інструкцій із заряджання й не заряджайте акумуляторний блок чи інструмент поза межами діапазону температур, зазначеного в інструкціях. Неналежне заряджання за температури поза межами зазначеного діапазону може пошкодити акумулятор і підвищує ризик займання.

## Служба

- Сервісне обслуговування виробу має виконувати кваліфікований майстер за використання лише ідентичних запасних частин. Це гарантуватиме підтримання безпечної роботи виробу.
- За жодних умов не виконуйте технічного обслуговування пошкоджених акумуляторних блоків. Технічне обслуговування акумуляторних блоків має виконуватися лише виробником або повноваженим постачальником послуг.

## Попередження про небезпеку під час експлуатації пристрою

- Не використовуйте пристрій за поганих погодних умов, особливо якщо існує ризик удару блискавки. Недотримання цієї вимоги підвищує ризик ураження блискавкою.
- Ретельно огляньте ділянку, де використовуватиметься пристрій, на наявність тварин. Під час використання пристрою ви можете завдати шкоди тваринам.
- Ретельно перевірте ділянку, де використовуватиметься пристрій, і приберіть каміння, палиці, проводи, кістки та інші сторонні предмети. Предмети, що розлітаються, можуть спричинити тяжкі травми.
- Перед використанням завжди здійснюйте огляд, перевіряючи леза і їхній вузол для виявлення ознак зношування чи пошкодження.

Зношені й пошкоджені деталі підвищують ризик травмування.

- Достатньо часто перевіряйте травозбірник на наявність ознак зношення чи псування. Пошкоджений чи зношений травозбірник може спричинити травмування.
- Захист має бути на своєму місці. Захист має бути справним і правильно встановленим. Погано закріплений, пошкоджений або несправний захист може призвести до травмування.
- Не допускайте засмічення вентиляційних отворів. Заблоковані вентиляційні отвори та сміття можуть призвести до перегрівання або пожежі.
- Під час роботи з пристроєм завжди використовуйте захисне взуття, яке не ковзає. Не використовуйте пристрій босоніж або у відкритому взутті. Таким чином ви знизите ризик травмування ніг унаслідок контакту з рухомими лезами.
- Завжди працюйте з пристроєм у довгих штанах. Предмети, які відлітають, можуть пошкодити відкриті ділянки шкіри.
- Не використовуйте виріб на вологій траві. Пересувайтеся повільно, ніколи не біжіть. Це зменшує ризик ковзання й падіння, які можуть призвести до травмування.
- Не використовуйте пристрій на надмірно крутих схилах. Це зменшує ризик втрати керування, ковзання й падіння, які можуть призвести до травмування.
- Під час роботи на схилах завжди впевнено стійте на ногах, косіть поперек схилів і ніколи не косіть угору або вниз та будьте надзвичайно обережними під час зміни напрямку. Це зменшує ризик втрати керування, ковзання й падіння, які можуть призвести до травмування.
- Будьте вкрай обережними, коли розвертаєте або рухаєте пристрій у напрямку до себе. Завжди стежте за тим, що відбувається навколо. Це дасть змогу зменшити ризик спотикання під час роботи.
- Під час роботи пристрій треба завжди тримати за ізольовану поверхню, тому що леза можуть доторкнутися до схованих електричних дротів або до кабелю живлення пристрою. Леза, які торкаються кабелів під напругою, можуть проводити напругу до відкритих металевих деталей машини, що загрожують операторові ураженням електричним струмом.
- Не торкайтеся лез чи інших небезпечних деталей, поки вони рухаються. Це дасть змогу зменшити ризик травмування рухомими деталями.
- Під час видалення застряглих обрізків або чищення пристрою всі вимикачі електроживлення мають перебувати у вимкненому положенні, а акумуляторний блок має бути від'єднано. Неочікуваний запуск пристрою може призвести до важкого травмування.

## Загальні правила техніки безпеки



**ПОПЕРЕДЖЕННЯ:** Перш ніж розпочати використання виробу, уважно прочитайте наведені нижче попередження.

- Цей виріб може бути небезпечним у разі неправильного або недбалого використання. Порушення правил техніки безпеки може призвести до травм або смерті.
- Під час роботи цього виробу утворюється електромагнітне поле. Це поле може за деяких умов взаємодіяти з активними чи пасивними медичними імплантатами. Щоб зменшити ризик тяжких або смертельних травм, рекомендуємо особам із медичними імплантатами проконсультуватися зі своїм лікарем і виробником медичного імплантату перед початком експлуатації цього виробу.
- Завжди будьте обережні й керуйтеся здоровим глуздом. Якщо ви маєте сумніви щодо того, як користуватися виробом у конкретній ситуації, припиніть роботу й проконсультуйтеся з дилером Husqvarna.
- Пам'ятайте, що оператор несе відповідальність за нещасні випадки, у результаті яких постраждали інші особи або їхнє майно.
- Тримайте пристрій у чистоті. Переконайтеся, що знаки та наклейки читабельні.
- У жодному разі не дозволяйте користуватися приладом дітям або людям, які не ознайомилися із цим посібником. Вік оператора може обмежуватися місцевими нормами.
- Завжди наглядайте за особами з обмеженими фізичними чи розумовими можливостями, які використовують виріб. Біля виробу, що працює, має завжди перебувати відповідальна доросла особа.
- Забороняється використовувати виріб, якщо ви втомлені, хворі, чи перебуваєте під впливом наркотиків, алкоголю або медикаментів. Ці фактори мають негативний вплив на ваш зір, зосередженість, свідомість і координацію рухів.
- Не використовуйте виріб, який пошкоджений або працює неналежним чином.
- Заборонено вносити зміни в конструкцію виробу чи використовувати виріб, якщо є підозра, що його було змінено сторонніми особами.

## Техніка безпеки



**ПОПЕРЕДЖЕННЯ:** Перш ніж розпочати використання виробу, уважно прочитайте наведені нижче попередження.

- Використовуйте цей виріб для прибирання соломи й моху з газонів, на яких росте лише

трава. Заборонено використовувати виріб для інших цілей.

- Використовуйте засоби індивідуального захисту. Дивіться розділ *Засоби індивідуального захисту на сторінці 432*.
- Дізнайтеся, як швидко зупинити двигун в екстреній ситуації.
- Не використовуйте виріб під дощем або в умовах підвищеної вологості. Це може збільшити ризик ураження електричним струмом.
- Забороняється використовувати виріб без правильно встановлених лез і всіх кожухів. Неправильно встановлені леза можуть від'єднатися й спричинити травму.
- Стежте за тим, щоб леза не зачіпали сторонніх предметів на кшталт каміння чи коріння. Це може призвести до пошкодження лез і згинання вала двигуна. Зігнута вісь спричиняє значні вібрації й призводить до високого ризику від'єднання лез від виробу.
- У разі удару лез о будь-який сторонній предмет чи появи вібрації негайно зупиніть виріб. Зупиніть двигун, переведіть запобіжник у положення «0» і вийміть акумулятор. Зачекайте, доки рухомі деталі зупиняться. Перевіряйте виріб на наявність пошкоджень. Надійно закріпіть деталі, що розхиталися. Відремонтуйте пошкодження й замініть пошкоджені деталі. Доручайте ремонт авторизованому центру обслуговування.
- Забороняється закріплювати ручку зупинення двигуна на рукоятці, коли працює двигун.
- Поставте виріб на тверду рівну поверхню й увімкніть його. При цьому леза не повинні торкатися землі або інших предметів.
- Під час роботи з виробом завжди залишайтеся позаду нього.
- Під час роботи з виробом усі колеса мають залишатися на землі, а обидві руки треба тримати на ручці. Тримайте руки й ноги на безпечній відстані від лез, що обертаються.
- Не нахиляйте виріб під час запуску двигуна чи використання.
- Будьте обережні під час руху у зворотному напрямку.
- Забороняється піднімати виріб, коли двигун увімкнений. Якщо треба підняти виріб, спочатку зупиніть двигун, переведіть запобіжник у положення «0» і вийміть акумулятор.
- Не рухайтесь у зворотному напрямку під час роботи з виробом.
- Коли потрібно нахилити виріб для перенесення або перед його переміщенням ділянкою без трави, як-от асфальтом чи бруцаткою, вимикайте двигун.
- Не бігайте з виробом, коли двигун увімкнений. Під час роботи з виробом необхідно ходити зі звичайною швидкістю.

- Вимикайте двигун, перш ніж змінювати робочу глибину. Забороняється виконувати регулювання, коли двигун увімкнено.
- Забороняється залишати виріб без нагляду коли двигун працює. Зупиніть двигун, переведіть запобіжник у положення «0» і вийміть акумулятор. Переконайтеся в тому, що ґрунторозпушувальне обладнання не обертається.
- Рівень вібрації виробу під час роботи може відрізнитися від заявленого в розділі *Технічні характеристики на сторінці 440*. Відмінність зумовлена різними умовами використання виробу. Якщо ви використовуєте виріб часто або впродовж довгого часу, регулярно робіть перевірки, щоб уникнути травмування внаслідок вібрації.

## Правила техніки безпеки під час використання

### Засоби індивідуального захисту



**ПОПЕРЕДЖЕННЯ:** Перш ніж розпочати використання виробу, уважно прочитайте наведені нижче попередження.

- Засоби індивідуального захисту не можуть повністю усунути небезпеку травмування, але в разі нещасного випадку знизять ступінь тяжкості травми. Дозвольте дилеру допомогти вам із вибором підходящого обладнання.
- Використовуйте взуття із захистом від ковзання для роботи у важких умовах. Забороняється використовувати відкрите взуття або працювати взагалі без нього.
- Використовуйте цупкі довгі штани.
- За потреби використовуйте рукавички, наприклад, якщо необхідно приєднати, оглянути або почистити різальне обладнання.
- Рекомендуємо використовувати засоби захисту органів слуху.

### Запобіжне обладнання на виробі



**ПОПЕРЕДЖЕННЯ:** Перш ніж розпочати використання виробу, уважно прочитайте наведені нижче попередження.

- Не використовуйте виріб із запобіжними пристроями, які пошкоджені або не працюють належним чином.
- Не демонуйте й не змінюйте захисні пристрої.
- Регулярно перевіряйте захисні пристрої. Якщо запобіжні пристрої пошкоджені або не працюють належним чином, зверніться до центру обслуговування Husqvarna.

## Перевірка кожухів

Кожух ґрунторозпушувача частково поглинає вібрацію виробу й знижує небезпеку травмування ґрунторозпушувальним обладнанням.

- Огляньте боковий кожух ґрунторозпушувача й переконайтеся, що він не має пошкоджень на кшталт тріщин.
- Огляньте задній кожух і переконайтеся, що він не має пошкоджень на кшталт тріщин.

## Ручка зупинення двигуна

Ручка зупинення двигуна зупиняє двигун. За відпускання ручки зупинення двигуна він зупиняється.

Щоб перевірити роботу гальма двигуна, запустіть двигун, а потім відпустіть ручку зупинення. Якщо двигун не зупиняється протягом 3 секунд, необхідно передати виріб в авторизований центр обслуговування Husqvarna для налаштування гальма двигуна.

(Мал. 19)

## Ключ безпеки

Ключ безпеки розташований під кришкою акумуляторного відсіку. Ключ безпеки призначений для з'єднання з акумулятором, який у свою чергу живить двигун.

- Для перевірки ключа безпеки запустіть і зупиніть двигун.
- Якщо ключ безпеки справний, двигун заводиться лише тоді, коли ключ перебуває в положенні «1».

(Мал. 20)

## Перевірка обмежувача запуску

Перевірте обмежувач запуску, щоб переконатися, що він дійсно блокує роботу двигуна.

1. Перемістіть ручку зупинення двигуна в напрямку рукоятки. Обмежувач запуску блокує рух.
2. Потягніть обмежувач запуску. (Мал. 21)
3. Відпустіть обмежувач запуску та переконайтеся, що він повертається до початкового положення.

## Заходи безпеки під час роботи з акумуляторами



**ПОПЕРЕДЖЕННЯ:** Перш ніж розпочати використання виробу, уважно прочитайте наведені нижче попередження.

- Для живлення виробів Husqvarna необхідно використовувати лише акумулятори Husqvarna. Щоб уникнути травмування, заборонено використовувати акумулятор як джерело живлення для інших приладів.



- Не використовуйте одноразові акумулятори.
- Небезпека враження електричним струмом. Заборонено під'єднувати клеми акумулятора до ключів, монет, гвинтів або інших металевих предметів. Це може призвести до короткого замикання в акумуляторі.
- Заборонено вставляти предмети у вентиляційні отвори акумулятора.
- Тримайте акумулятор подалі від прямих сонячних променів, джерел тепла й відкритого вогню. Акумулятор може вибухнути, що призведе до опіків та/або хімічних опіків.
- Бережіть акумулятор від дощу та вологи.
- Захищайте акумулятор від впливу мікрохвиль чи високого тиску.
- Заборонено розбирати чи ламати акумулятор.
- У разі витікання рідини з акумулятора стежте, щоб вона не потрапила на тіло чи в очі. Якщо рідина потрапила на шкіру, промийте вражену ділянку великою кількістю води й зверніться по медичну допомогу.
- Використовуйте акумулятор виробу лише за температури навколишнього середовища від 5 °C до 40 °C.
- Використовуйте зарядний пристрій акумулятора лише за температури навколишнього середовища від 5 °C до 40 °C.
- Акумулятор не заряджатиметься, якщо його температура перевищує 50 °C.
- Заборонено мити батарею чи заряджальний пристрій водою. Дивіться розділ *Акумулятор на сторінці 438*.
- Не користуйтеся пошкодженим акумулятором.
- Зберігайте акумулятор подалі від металевих предметів на кшталт цвяхів, монет, ювелірних виробів.

## Заходи безпеки під час роботи із зарядним пристроєм



**ПОПЕРЕДЖЕННЯ:** Перш ніж розпочати використання виробу, уважно прочитайте наведені нижче попередження.

- Для заряджання замінних акумуляторів Husqvarna необхідно використовувати лише зарядні пристрої QC.
- Ризик короткого замикання й ураження електричним струмом. Забороняється вставляти предмети у вентиляційні отвори зарядного пристрою. Заборонено розбирати зарядний пристрій. Не торкайтеся металевих предметів контактами зарядного пристрою. Використовуйте сертифіковані електричні розетки.
- Під час роботи цього виробу утворюється електромагнітне поле. Це поле може за деяких умов взаємодіяти з активними чи пасивними медичними імплантатами. Щоб

зменшити ризик тяжких або смертельних травм, рекомендуємо особам із медичними імплантатами проконсультуватися зі своїм лікарем і виробником медичного імплантату перед початком експлуатації цього виробу.

- Регулярно перевіряйте шнур живлення зарядного пристрою на предмет пошкоджень та тріщин.
- Заборонено підіймати зарядний пристрій, тримаючи його за шнур живлення. Щоб від'єднати зарядний пристрій від настінної розетки, витягніть штепсельну вилку. У жодному разі не тягніть за шнур живлення.
- Тримайте шнур живлення та подовжувачі на безпечній відстані від води, мастил і гострих предметів. Переконайтеся, що кабель не здавлено дверима, огорожею або іншими предметами. У такому випадку зарядний пристрій може опинитися під напругою.
- Заборонено мити зарядний пристрій водою.
- Діти віком від 8 років та особи з обмеженими фізичними, сенсорними або психічними можливостями або особи, які не мають досвіду та знань, можуть використовувати зарядний пристрій лише під наглядом або після належного інструктажу щодо безпечного його використання, за умови розуміння ними пов'язаних із таким використанням ризиків. Дітям заборонено грати із зарядним пристроєм. Дітям заборонено виконувати чищення та обслуговування без нагляду.
- Не намагайтеся заряджати одноразові батареї за допомогою зарядного пристрою.
- Заборонено використовувати зарядний пристрій поблизу легкозаймистих або корозійних матеріалів. Заборонено накривати зарядний пристрій. При появі диму чи вогню витягніть штепсель зарядного пристрою з розетки.
- Не використовуйте зарядний пристрій із ознаками пошкодження.
- Заряджати акумулятор слід тільки в добре провітрюваних приміщеннях та подалі від сонячного світла. Не заряджайте акумулятор у вологому середовищі.

## Правила техніки безпеки під час обслуговування



**ПОПЕРЕДЖЕННЯ:** Перш ніж розпочати використання виробу, уважно прочитайте наведені нижче попередження.

- Для запобігання ненавмисному запуску двигуна під час обслуговування переведіть ключ безпеки в положення «0» і вийміть акумулятор. Перед початком обслуговування зачекайте щонайменше 5 секунд.
- Виконуйте технічне обслуговування правильно, адже це допоможе збільшити термін експлуатації

виробу та знизить ризик виникнення нещасних випадків. Доручайте професійний ремонт уповноваженому центру обслуговування. Більш детальну інформацію можна дізнатися в найближчому центрі обслуговування.

- Виконуйте лише те технічне обслуговування, що наведене в цьому посібнику користувача. Більш серйозні роботи повинні виконуватися працівниками сертифікованих центрів обслуговування.
- Щоб запобігти травмуванню, не знімайте захисні пристрої та не змінюйте їхню конструкцію.
- Під час роботи з ґрунторозпушувальним обладнанням завжди надягайте міцні рукавиці. Ґрунторозпушувальне обладнання дуже гостре, тож ним можна легко порізатися.
- Для найвищої продуктивності й безпеки слід підтримувати леза ґрунторозпушувального обладнання гострими та чистими.

- Регулярно віддавайте виріб до центру обслуговування, де його будуть перевіряти, робити необхідні налаштування або ремонт.
- Замінійте пошкоджені, зношені або зламані деталі. Завжди використовуйте лише оригінальні запасні частини виробника. Інші запасні частини можуть пошкодити виріб і підвищити ризик нещасних випадків.
- Дотримуйтеся інструкцій щодо заміни аксесуарів. Користуйтеся аксесуарами лише від виробника обладнання.
- Коли виріб не використовується, зберігайте його окремо від акумулятора та зарядного пристрою в сухому закритому приміщенні. Переконайтеся, що діти та особи без належної підготовки не зможуть отримати доступ до виробу, акумулятора чи зарядного пристрою.

---

## Збирання

---

### Вступ



**ПОПЕРЕДЖЕННЯ:** Перед монтажем виробу необхідно прочитати розділ про заходи безпеки.



**ПОПЕРЕДЖЕННЯ:** Щоб запобігти випадковому ввімкненню виробу під час збирання, поверніть ключ безпеки в положення «0», вийміть акумуляторну батарею й зачекайте принаймні 5 секунд.

### Монтаж ручки

1. Відпустіть нижні фіксувальні головки.
2. Пересуньте головки у нижню частину прорізів зліва та справа виробу. (Мал. 22)
3. Встановіть висоту ручки в одне з двох доступних положень.
4. Пересуньте головки вгору в напрямку ручки, доки вони не зупиняться та ви не почуєте клацання. (Мал. 23)

5. Надійно затягніть фіксувальні головки.

### Монтаж травозбірника

1. Встановіть рамку травозбірника на мішок для трави. Твердий бік мішка має бути знизу. Тримайте рукоятку рами зверху мішка для трави. (Мал. 24)
2. Вставте нижню частину рами травозбірника в паз знизу травозбірника.
3. Зафіксуйте мішок для трави на рамі травозбірника за допомогою затискачів. (Мал. 25)
4. Підніміть задню кришку.
5. Установіть травозбірник у правильне положення. (Мал. 26)
6. Під'єднайте травозбірник до верхньої кромки рами. Переконайтеся, що задній кожух щільно прилягає до травозбірника, щоб уникнути випадіння трави. (Мал. 27)

---

## Експлуатація

---

### Вступ



**ПОПЕРЕДЖЕННЯ:** Перед експлуатацією виробу обов'язково прочитайте й усвідомте зміст розділу про заходи безпеки.

### Husqvarna Connect

Husqvarna Connect є безкоштовною програмою для мобільного пристрою. У програмі Husqvarna Connect доступна ціла низка розширених функцій для користування Husqvarna:

- розширена інформація про виріб;
- відомості про деталі й обслуговування виробу, а також довідкова інформація.

## Щоб почати користуватися Husqvarna Connect

1. Завантажте програму Husqvarna Connect на свій мобільний пристрій.
2. Зареєструйтеся в програмі Husqvarna Connect.
3. Виконайте кроки з реєстрації в програмі Husqvarna Connect, щоб під'єднати та зареєструвати виріб.

## Установлення робочої глибини



### ПОПЕРЕДЖЕННЯ:

Забороняється налаштовувати робочу глибину під час експлуатації виробу.

1. Натисніть і поверніть ручку регулювання робочої глибини проти годинникової стрілки, щоб збільшити робочу глибину.
2. Натисніть і поверніть ручку регулювання робочої глибини за годинниковою стрілкою, щоб зменшити робочу глибину. (Мал. 28)

## Акумулятор



**ПОПЕРЕДЖЕННЯ:** Перед використанням акумулятора обов'язково прочитайте й усвідомте зміст розділу про заходи безпеки. Також необхідно прочитати й усвідомити зміст посібника користувача для акумулятора та зарядного пристрою.

Дотримуйтеся вимог щодо температури навколишнього середовища для акумулятора й зарядного пристрою.

	Температура навколишнього середовища
Використання акумулятора	5–40 °C
Зарядження акумулятора	5–40 °C

## Стан акумулятора

На дисплеї відображаються поточний стан заряду акумулятора та можливі проблеми під час його роботи. Щоб дізнатися рівень заряду акумулятора, натисніть кнопку індикатора стану акумулятора. У разі виникнення будь-якої помилки на дисплеї акумулятора з'являється попереджувальний символ. Дивіться розділ *Акумулятор на сторінці 438*.

(Мал. 29)

Світлодіодні індикатори	Стан акумулятора
Горять усі світлодіодні індикатори	Акумулятор заряджений повністю (76–100 %)
Горять світлодіодні індикатори 1, 2 та 3	Акумулятор заряджено на 51–75 %.
Горять світлодіодні індикатори 1 та 2	Акумулятор заряджено на 26–50 %.
Горить світлодіодний індикатор 1	Акумулятор заряджено на 6–25 %.
Блимає світлодіод 1	Акумулятор заряджено на 0–5 %

## Зарядка акумулятора

Перед першим використанням акумулятор слід зарядити. Акумулятор постачається зарядженим лише на 30 % ємності.

**Зверніть увагу:** Зарядний пристрій слід під'єднувати лише до джерел електроживлення з напругою та частотою, вказаними на табличці з паспортними даними.

Акумулятор не заряджається, якщо його температура перевищує 50°C. Перед початком зарядження зарядний пристрій зменшує температуру акумулятора.

1. Під'єднайте один кінець шнура живлення зарядного пристрою до його роз'єму.
2. Під'єднайте інший кінець шнура живлення зарядного пристрою до електричної розетки із заземленням. Світлодіод зарядного пристрою блимне один раз зеленим кольором. (Мал. 30)
3. Встановіть акумулятор у зарядний пристрій. Якщо акумулятор підключено правильно, на зарядному пристрої загоряється зелений індикатор. (Мал. 31)
4. Якщо загоряються всі світлодіодні індикатори, це означає, що акумулятор повністю заряджений. Тривалість зарядження акумулятора не повинна перевищувати 24 години.
5. Щоб від'єднати зарядний пристрій із розетки, тримайтеся тільки за штепсель, не тягніть за шнур.
6. Вийміть акумулятор із зарядного пристрою.

## Запуск виробу

1. Встановіть акумулятор в акумуляторний відсік №1 під кришкою. Для більш тривалого часу використання вставте другий заряджений акумулятор в акумуляторний відсік №2.
2. Поверніть ключ безпеки в положення «1». (Мал. 32)

3. Залишайтеся позаду виробу.
4. Натисніть кнопку «УВИМК./ВИМКН.» (А) на панелі керування, після чого ввімкнеться зелений світлодіодний індикатор (В). (Мал. 33)
5. Відпустіть обмежувач запуску. (Мал. 34)
6. Перемістіть ручку зупинення двигуна в напрямку рукоятки. (Мал. 35)

повторного автоматичного запуску протягом 5–10 секунд. Перш ніж перевіряти кожух леза, зачекайте щонайменше 15 секунд.



**ПОПЕРЕДЖЕННЯ:** Перед перевіркою кожуха леза відпустіть ручку гальма двигуна, переведіть ключ безпеки в положення «0», вийміть акумулятор і зачекайте щонайменше 5 секунд. Існує ризик того, що після усунення засмічення виріб раптово запуститься та травмує оператора.

## Використання функції SaveE

Виріб оснащений функцією збереження заряду акумулятора (SaveE), що дозволяє подовжити час використання.

1. Для ввімкнення функції натисніть кнопку SaveE (А). Увімкнеться зелений світлодіодний індикатор. (Мал. 36)
2. Для вимкнення функції натисніть кнопку SaveE ще раз. Зелений світлодіодний індикатор (В) вимкнеться.

## Функція підвищеної потужності

Якщо виріб використовується для зрізання довгої чи вологої трави, двигун автоматично збільшує оберти. Коли необхідність у підвищеній потужності зникає, двигун повертається до роботи в стандартному режимі.

## Стопоріння двигуна

Під час роботи лезо та двигун можуть тимчасово зупинитися, якщо під кожухом леза є засмічення на кшталт скупчень трави. Якщо це сталося й ви втримуєте ручку гальма двигуна в натиснутому положенні, виріб здійснить автоматичний перезапуск. Якщо виріб не перезапустився за 5–10 секунд, може знадобитися почистити дно кожуха леза. Дивіться розділ *Чистення виробу на сторінці 437*.



**ПОПЕРЕДЖЕННЯ:** Якщо двигун зупиняється, виріб здійснить спробу

## Зупинення виробу

Якщо ви не користуєтесь виробом протягом 10 хвилин, він автоматично зупиняється. Забороняється залишати виріб без нагляду коли двигун працює. Зупиніть двигун, переведіть запобіжник у положення «0» і вийміть акумулятор. Переконайтеся, що ґрунторозпушувальне обладнання не обертається.

1. Щоб зупинити двигун, відпустіть ручку зупинення двигуна. (Мал. 37)
2. Натисніть кнопку «УВИМК./ВИМКН.» (А) на панелі керування, після чого зелений світлодіодний індикатор (В) вимкнеться. (Мал. 33)
3. Відкрийте кришку акумуляторного відсіку й поверніть ключ безпеки в положення «0». (Мал. 38)
4. Щоб вийняти акумулятор, одночасно натисніть дві кнопки фіксатора й витягніть акумулятор. (Мал. 39)
5. Якщо рівень заряду акумулятора низький, зарядіть його. Докладніше див. *Зарядка акумулятора на сторінці 435*.

## ТЕХНІЧНЕ ОБСЛУГОВУВАННЯ

### Вступ



**ПОПЕРЕДЖЕННЯ:** Перед виконанням робіт із технічного обслуговування обов'язково прочитайте й усвідомте зміст розділу про заходи безпеки.

Для всіх робіт з обслуговування та ремонту необхідна спеціальна підготовка. Ми гарантуємо доступність послуг із професійного ремонту та обслуговування. Якщо ваш дилер не є агентом з обслуговування, зверніться до нього по інформацію щодо найближчого центру обслуговування.

Для отримання більш детальної інформації див. [www.husqvarna.com](http://www.husqvarna.com).

### Графік технічного обслуговування

Інтервали технічного обслуговування зазначено з урахуванням щоденного використання виробу. Інтервали змінюються для іншої частоти використання виробу.

Відомості про види обслуговування, позначені зірочкою (\*), дивіться в розділі *Запобіжне обладнання на виробі на сторінці 432*.

S 138i	Перед кожним використанням	Щомісяця	Кожного сезону
Загальна перевірка.	X		
Очистьте виріб.	X		
Перевірка ґрунторозпушувального обладнання.	X		
Перевірка справності захисних систем виробу. *	X		
Перевірка кожухів. *	X		
Перевірка ручки зупинення двигуна. *	X		
Перевірка обмежувача запуску. *	X		
Перевірка справності роботи кнопки «УВІМК./ВИМК.».	X		
Перевірка акумулятора на наявність пошкоджень.	X		
Перевірка рівня заряду акумулятора.	X		
Перевірка справності кнопок виймання акумулятора та надійності втримання акумулятора у виробі.	X		
Перевірка заряджального пристрою на наявність пошкоджень і правильність роботи.		X	
Перевірка з'єднань між акумулятором і виробом. Перевірка з'єднань між акумулятором і заряджальним пристроєм.			X

## Процедура загальної перевірки

- Переконайтеся, що всі гайки й гвинти на виробі затягнуті.
- Переконайтеся, що кабелі встановлені так, щоб вони не пошкодилися.

## Чищення виробу

- Для очищення пластмасових деталей використовуйте суху чисту тканину.
- Не користуйтеся водою для очищення виробу. Вода може потрапити в акумулятор чи двигун та призвести до короткого замикання або пошкодження виробу.
- Для чищення виробу не використовуйте миючий апарат високого тиску.
- Заборонено лити воду безпосередньо на двигун.
- Прибирайте листя, траву та бруд за допомогою щітки.

## Чищення акумулятора й заряджального пристрою



**ПОПЕРЕДЖЕННЯ:** Заборонено мити батарею чи заряджальний пристрій водою.



**ПОПЕРЕДЖЕННЯ:** Для очищення акумулятора не треба використовувати будь-які хімічні речовини.

- Перш ніж уставити акумулятор у заряджальний пристрій, переконайтеся, що вони обидва чисті й сухі.
- Чистити контакти акумулятора треба стисненим повітрям або за допомогою м'якої сухої ганчірки.
- Чистити поверхню акумулятора й заряджального пристрою треба за допомогою м'якої сухої ганчірки.

## Перевірка ґрунторозпушувального обладнання



**ПОПЕРЕДЖЕННЯ:** щоб запобігти випадковому запуску двигуна, поверніть ключ безпеки в положення «0», вийміть акумулятор і зачекайте принаймні 5 секунд.



**ПОПЕРЕДЖЕННЯ:** Під час технічного обслуговування ґрунторозпушувального обладнання використовуйте захисні рукавиці. Леза

на ґрунторозпушувальному обладнанні є дуже гострими, тож ними можна легко порізатися.

ґрунторозпушувального обладнання використовуйте захисні рукавиці. Ґрунторозпушувальне обладнання дуже гостре, тож ним можна легко порізатися

- Перевірте ґрунторозпушувальне обладнання на наявність пошкоджень або тріщин. Обов'язково замінійте пошкоджене ґрунторозпушувальне обладнання.

## Замінення ґрунторозпушувального обладнання



**ПОПЕРЕДЖЕННЯ:** Під час технічного обслуговування

1. Покладіть виріб на праву сторону. (Мал. 40)
2. Відкрутіть 2 гвинти (А) й кожух ґрунторозпушувача (В). Потягніть за ґрунторозпушувальне обладнання (С) й зніміть його. (Мал. 41)
3. Вставте нове ґрунторозпушувальне обладнання (С) у паз і далі в отвір. Установіть кожух ґрунторозпушувача (В) й два гвинти (А) (Мал. 42)

## Усунення несправностей

### Акумулятор

Світлодіоди на акумуляторі	Причина	Вирішення
Блимає зелений світлодіод.	Низька напруга акумулятора.	Зарядіть акумулятор. Дивіться розділ <i>Зарядка акумулятора на сторінці 435</i> .
Блимає індикатор помилки акумулятора.	Акумулятор надто холодний або надто гарячий для використання.	Дайте акумулятору охолонути або віднесіть його в приміщення, щоб підігріти. Коли температура акумулятора досягне прийнятних значень, його можна буде знову використовувати. Використовуйте акумулятор виробу лише за температури навколишнього середовища від 5 °С до 40 °С.
	Акумулятор розряджений.	Зарядіть акумулятор. Дивіться розділ <i>Зарядка акумулятора на сторінці 435</i> .
Вмикається світлодіодний індикатор помилки акумулятора.	Постійна помилка акумулятора.	Зверніться до дилера з обслуговування Husqvarna.

### Зарядний пристрій

Світлодіодний індикатор на заряджальному пристрої	Причина	Вирішення
Блимає або вмикається світлодіодний індикатор помилки.	Зарядний пристрій надто холодний або надто гарячий для використання.	Дайте зарядному пристрою охолонути або віднесіть його в приміщення, щоб підігріти. Коли температура зарядного пристрою досягне прийнятних значень, його можна буде знову використовувати. Використовуйте зарядний пристрій за температури навколишнього середовища від 5 °С до 40 °С.
	Інші помилки.	Зверніться до дилера з обслуговування Husqvarna.

## Панель керування

Помилка	Код помилки (кількість спалахів)	Можливі несправності	Рекомендовані дії
Блимає світлодіодний індикатор помилки.	3	Двигун перевантажено.	Зменште робочу глибину. Дивіться розділ <i>Установлення робочої глибини на сторінці 435</i> . Якщо світлодіодний індикатор помилки продовжує блимати, ґрунторозпушувальне обладнання заблоковано. Щоб запобігти випадковому ввімкненню виробу, поверніть ключ безпеки в положення «0», вийміть акумуляторну батарею й зачекайте принаймні 5 секунд. Переконайтеся в тому, що ґрунторозпушувальне обладнання рухається вільно. Якщо усунути несправність не вдалося, зв'яжіться з уповноваженим центром обслуговування.
	5	Частота обертання двигуна занадто падає, і він зупиняється.	
	9	Елементи керування двигуном занадто нагрілися.	Зупиніть двигун і почекайте, доки він охолоне.
	7	Помилка акумулятора або відсутність сигналу від нього.	Правильно вставте акумулятор у виріб і перевірте його роз'єм. Якщо світлодіодний індикатор помилки на акумуляторі блимає, див. <i>Акумулятор на сторінці 438</i> .
		Занизький рівень заряду акумулятора.	Зарядіть акумулятор. Дивіться розділ <i>Зарядка акумулятора на сторінці 435</i> .
Виріб зупиняється	6	Занизький рівень заряду акумулятора.	Зарядіть акумулятор. Дивіться розділ <i>Зарядка акумулятора на сторінці 435</i> .
	Не блимає.	Несправність роз'єму акумулятора.	Огляньте роз'єм акумулятора.
Інші помилки	У разі появи інших помилок поверніть ключ безпеки в положення «0», вийміть акумулятор і зверніться в затверджений центр обслуговування.		

## Транспортування, зберігання й утилізація

### Вступ



**ПОПЕРЕДЖЕННЯ:** Щоб запобігти випадковому ввімкненню виробу під час транспортування та зберігання, поверніть ключ безпеки в положення «0», вийміть акумулятор і зачекайте принаймні 5 секунд.

### Транспортування

- Під час транспортування цивільним транспортом слід дотримуватися спеціальних вимог, що зазначені на пакуванні та наклейках.
- У разі підготовки виробу до транспортування переконайтеся, що ви дотримуетесь законодавства щодо небезпечних матеріалів. Крім того, можуть застосовуватися місцеві норми.
- Перед перевезенням виробу слід завжди виймати акумуляторну батарею.
- Заклейте з'єднувачі акумулятора стрічкою та переконайтеся, що під час транспортування він буде надійно зафіксований.
- Під час транспортування закріплюйте виріб.
- До літій-іонних акумуляторів, що йдуть у комплекті, застосовується законодавство щодо небезпечних товарів.

## Зберігання

- Перед зберіганням слід завжди виймати акумулятори.
- Перш ніж поміщати виріб на зберігання, дайте йому охолонути.
- Задля уникнення нещасних випадків переконайтеся, що під час зберігання акумулятор не під'єднаний до виробу.
- Зберігайте заряджальний пристрій у сухому місці в закритому приміщенні.
- Зберігайте акумулятор і заряджальний пристрій у сухому місці, захищеному від вологи й холоду.
- Під час зберігання від'єднуйте акумулятор від заряджального пристрою.
- Заборонено зберігати акумулятор у місці, де можуть утворюватися статичні заряди. Не зберігайте акумулятор у металевій коробці.
- Зберігайте виріб за температури навколишнього середовища від -10 до 40 °C.
- Зберігайте акумулятор за температури від 5 °C до 25 °C у захищеному від прямих сонячних променів місці.
- Зберігайте зарядний пристрій за температури від 5 °C до 45 °C у захищеному від прямих сонячних променів місці.
- Перед тривалим зберіганням акумулятора переконайтеся, що рівень його заряду становить 30–50 %.
- Зберігайте виріб, акумулятор і заряджальний пристрій у закритому приміщенні, куди не зможуть

дістати доступ діти й особи без належної підготовки.

- Очистьте виріб і впевніться, що травозбірник порожній.
- Виконуйте роботи з технічного обслуговування, описані в цьому посібнику користувача. Дивіться розділ *Графік технічного обслуговування на сторінці 436*.
- Перед тривалим зберіганням виконуйте повне обслуговування.

## Утилізація

Символи на виробі або його упаковці вказують на те, що його не слід утилізувати разом з побутовими відходами. Утилізацію цього виробу слід здійснювати на спеціалізованому підприємстві з переробки відходів електричного й електронного обладнання.

Належна утилізація виробу допоможе запобігти потенційному негативному впливу на стан навколишнього середовища та здоров'я людей, який може стати наслідком некоректної обробки відходів. Докладну інформацію про утилізацію цього виробу можна отримати в органах місцевого самоврядування, місцевих службах переробки відходів або в магазині, де було придбано цей пристрій.

(Мал. 43)

## Технічні характеристики

### Технічні характеристики

<b>S 138i</b>	
<b>Електродвигун</b>	
Тип двигуна	Двигун постійного струму (без щіток) 36 В
Частота обертання насадки – SavE, об/хв	3000
Частота обертання насадки – номінальна, об/хв	3200
Вихідна потужність двигуна – максимальна, кВт	1,28
Вихідна потужність двигуна – номінальна, кВт	0,9
<b>Маса</b>	
Маса без мішка (без акумулятора), кг	19,5
Маса з мішком (з урахуванням BLi30, 1 шт.), кг	23
<b>Акумулятор</b>	
Тип акумулятора	Серія Husqvarna
<b>Ресурс акумулятора</b>	



<b>S 138i</b>	
Тривалість роботи від акумулятора, хв, (на холостому ходу), з активованою функцією SavE, з одним акумулятором Husqvarna ємністю 7,5 А·год (BLi30).	195
Тривалість роботи від акумулятора, хв, (на холостому ходу), у стандартному режимі роботи, з одним акумулятором Husqvarna ємністю 7,5 А·год (BLi30).	175
<b>Випромінювання шуму</b> <sup>79</sup>	
Рівень звукової потужності, дБ (A)	89
Гарантований рівень звукової потужності, L <sub>WA</sub> дБ(A)	91
<b>Рівні звуку</b> <sup>80</sup>	
Рівень звукового тиску у вусі оператора, дБ(A)	75
<b>Рівні вібрації</b> <sup>81</sup>	
Ручка, м/с <sup>2</sup>	5,5
<b>Експлуатація</b>	
Мін. / макс. робоча глибина, мм	-8 / +5
Робоча ширина, см	37,5
Насадка з вертикальними лезами	5973510-01
Насадка з паростковими зубцями	5973509-01
Місткість травозбірника, л	45

Схвалені акумулятори	Тип	Ємність батареї, ампер-години	Напруга, В	Маса, фунти / кг
BLi30	Літій-іонний	7,5	36	4,2 / 1,9
40-B140	Літій-іонний	4,0	36	2,6 / 1,2

Схвалені зарядні пристрої для вказаних акумуляторів, BLi	Вхідна напруга, В	Частота, Гц	Потужність, Вт
40-C80	100-240	50-60	68,8
QC250	220-240	50	250

<sup>79</sup> Випромінювання шуму в середовище, виміряне як звукова потужність (L<sub>WA</sub>), відповідає директиві ЄС 2000/14/ЕС.

<sup>80</sup> Заявлені дані про рівень шумового тиску мають коефіцієнт невизначеності (K), який становить 1,5 дБ(A).

<sup>81</sup> Заявлені дані про рівень вібрації мають похибку (K), яка становить 1,5 м/с<sup>2</sup>. Зазначене загальне значення рівня вібрації виміряно відповідно до додатку I стандарту EN 62841-4-7, його можна використовувати для порівняння однієї машини з іншою, а також для попереднього оцінювання впливу вібрації на оператора.

---

## Декларація відповідності

---

## Декларація відповідності ЄС

Ми, компанія **Husqvarna AB**, SE-561 82 Huskvarna, Швеція, тел.: +46-36-146500, заявляємо під свою виключну відповідальність, що представлений виріб:

<b>Опис</b>	Скарифкатор
<b>Бренд</b>	Husqvarna
<b>Тип / модель</b>	S 138i
<b>Ідентифікація</b>	Серійні номери за 2023 рік і пізніше

повністю відповідає таким директивам і нормам ЄС:

<b>Директива/норма</b>	<b>Опис</b>
2011/65/EU	«Про обмеження використання деяких небезпечних речовин в електричному й електронному обладнанні»
2006/42/EC	«Про механічне обладнання»
2014/30/EU	«Про електромагнітну сумісність»
2000/14/EC	«Про виділення шуму в навколишнє середовище»

і що до нього застосовуються вказані далі узгоджені стандарти та (або) технічні специфікації: EN 62841-1:2015/A11:2022, EN IEC 62841-4-7:2022/A11:2022, EN ISO 12100:2010, EN 55014-1:2017/A11:2020, EN 55014-2:2015, EN IEC 63000:2018.

Відомості стосовно випромінювання шуму дивіться в розділі *Технічні характеристики на сторінці 440*.

Husqvarna, 2023-12-30



Клас Лосдал (Claes Losdal)

Директор із питань розвитку / продукти для садівництва

Husqvarna AB

Відповідальний за технічну документацію



## 目次

はじめに.....	444	トラブルシューティング.....	453
安全性.....	445	搬送、保管、廃棄.....	454
組立.....	450	主要諸元.....	455
Operation( 操作 ).....	450	適合宣言.....	457
メンテナンス.....	452		

## はじめに

### 製品の説明

本製品は、手押し式電動デサッチャーです。本製品は芝生からサッチを取り除き、土壌をほぐして芝生に空気と水を取り入れます。サッチはグラスキャッチャーに回収されるか、芝生上に放出されます。本製品には2種類のデサッチャー装置があります。

### デサッチャー装置

デサッチャー装置の交換方法については、*デサッチャー装置の交換方法* 453 ページを参照してください。

### ブレードタイン

ブレードタインはサッチを取り除き、芝の根を垂直に切断します。ブレードタインは、斜面や階段状の地面、粘

土の量が多い土壌で使用してください。ブレードタインは、水を芝生に落とし入れ、水が表面に溜まらないようにします

(図 17)

### スプリングタイン

スプリングタインは、芝の根を傷つけずに、芝生から枯草やサッチを慎重に取り除きます。

(図 18)

### 用途

本製品はサッチや苔を取り除き、ご家庭の庭の土壌をほぐすために使用します。他の作業に本製品を使用しないでください。

### 製品の概要

(図 1)

1. モーターブレーキハンドル
2. 上部ハンドル
3. コントロールパネル
4. 始動抑制装置
5. 下部ハンドル
6. グラスキャッチャー
7. 後部カバー
8. デサッチャーカバー
9. バッテリーリッド
10. 作業深さの調整ノブ
11. 安全キー
12. ON/OFF インジケータ LED
13. ON/OFF ボタン
14. SavE ボタン
15. SavE インジケータ LED
16. バッテリー充電インジケータおよびバッテリーボタン
17. スプリングタイン
18. バッテリー ( アクセサリー )
19. バッテリー充電器 ( アクセサリー )
20. 六角レンチ
21. 取扱説明書

### 製品に表記されるシンボルマーク

- (図 2) 警告
- (図 3) すべての指示をお読みください。
- (図 4) 警告 - 飛んでくる物体に気をつけてください。
- (図 5) そばに人がいないようにしてください。
- (図 6) 警告 - タインに手や足を近づけないでください。
- (図 7) メンテナンスを行う前に、バッテリーを取り外してください。
- (図 8) 雨が当たらないようにしてください。
- (図 9) 本製品は防沫仕様です。
- (図 10) この製品は EC 指令適合製品です。
- (図 11) この製品は該当する UK 規制に準拠しています。
- (図 12) 環境に対する騒音レベルは EC 指令と英国の指令および規制、ニューサウスウェー

ルズの法規「Protection of the Environment Operations ( Noise Control ) Regulation 2017」に準拠しています。本製品の保証音響レベルは次の場所とラベルに記載されています： 主要諸元 455 ページ。

(図 14) スキャン用のコード

**注記：** 本製品に付いている他のシンボル / デカールは、一部の市場地域に向けた認定条件を示します。

(図 15) 電気・電子機器のリサイクル業者にリサイクルを依頼してください。(ヨーロッパにのみ適用)

(図 16) 始動手順：オン / オフボタンを押して、始動抑制装置を外し、モーターブレーキハンドルを下方へ押しします。

(図 13) モーターブレーキハンドルを放すと、モーターは停止します。

## 製品の損傷

以下の場合、当社は製品の損傷について責任を負いません。

- 本製品が誤って修理された場合。
- メーカーによるものではない部品、またはメーカーの認可していない部品を使用して本製品を修理した場合。
- メーカーによるものではないアクセサリ、またはメーカーの認可していないアクセサリを本製品に使用した場合。
- 認定サービスセンターまたは認定販売店で本製品が修理されていない場合。

## 安全性

### 安全性の定義

警告、注意、注記は、取扱説明書の特に重要な部分を示しています。



**警告：** 取扱説明書の指示に従わない場合、使用者が負傷したり、死亡したりするが、あるいは付近の人に損傷を与える危険があることを意味します。



**注意：** 取扱説明書の指示に従わない場合、製品や他の物品、または隣接するエリアに損傷を与える危険があることを意味します。

**注記：** 特定の状況で必要とされる詳細情報を提供するために使用されます。

### 製品に関する一般的な安全上の警告



**警告：** 本製品に付属する安全に関する警告、注意事項、図、仕様をすべてお読みください。下記のすべての指示に従わない場合、感電、火災、あるいは深刻な傷害を招くことがあります。

すべての警告や説明は、以後の参考のために保管してください。警告の「製品」とは、電源で動作する（コード付）製品またはバッテリー駆動（コードレス）の製品を指します。

### 作業エリアの安全

- 作業エリアはきれいにし、適切な照度を保ってください。乱雑な場所や暗い場所では、事故が起こりやすくなります。
- 可燃性の液体や気体、塵がある所など、爆発性環境の中では本製品を動作させないでください。本製品は、塵やガスを発火させる火花を発生することがあります。
- 本製品の操作中は子供やそばにいる人たちと十分な距離を置いてください。注意が散漫になって、操作ミスを引き起こす可能性があります。

### 個人の安全

- 製品を使用するときは、十分に気をつけて慎重に行動し、常識に従ってください。疲労時、医薬品およびアルコールの影響が残っている状態で製品を使用しないでください。製品の操作中は、一瞬の不注意が重大な人的損傷につながる可能性があります。
- 身体保護具を使用してください。常に眼の保護具を着用してください。防塵マスクや滑り止め用の安全靴、ヘルメット、イヤマフを使用すると、負傷の危険性が少なくなります。
- 予期せぬ始動を防止してください。電源およびバッテリーパックを接続する場合や本製品を持ち運ぶ場合は、必ずスイッチがオフの位置にあることを確認してください。スイッチに指を置いて製品を運んだり、製品のスイッチが入った状態で給電すると、事故につながります。
- 製品の電源を入れる前に、調整キーやレンチを外してください。本製品の回転部品にレンチやキーが取り付けられていると負傷の原因となります。
- 無理な体勢で作業しないでください。常に、安定した足場とバランスを保つようにしてください。これにより、予期しない事態でも本製品を安定した状態に保つことができます。

- 適切な服装を心がけてください。ゆったりした衣服や装身具を身につけないでください。可動部に髪の毛や衣服を近づけないでください。ゆったりした衣服や装身具、長髪は可動部に絡まるおそれがあります。
- 集塵装置の接続用装備が提供されている場合、それが接続されて正しく使用されているか確認してください。集塵装置を使用すると、塵に関連する危険を回避できます。
- 製品を頻繁に使用することによる慣れで、安全への関心を失ってツールの安全原則を無視することは非常に危険です。不注意により、一瞬で深刻な事故が発生するおそれがあります。

## 製品の使用と手入れ

- 本製品に無理な力を加えないでください。用途に合った適切な製品を使用してください。適切な製品を使用することで、設計された速度でより良く安全に作業を行えます。
- スイッチが機能しない場合は本製品を使用しないでください。スイッチで制御できない製品は危険なため、修理する必要があります。
- 製品の調整、アクセサリの変更、または製品の保管前は、電源プラグを外し、製品からバッテリーパックを取り外してください（着脱可能な場合）。予防的な安全対策を行うことで、誤って本製品を始動させる危険性が少なくなります。
- 使用していない製品は子供の手の届かない所に保管して、製品や製品の取り扱い方法に詳しくない人間が操作しないように注意してください。慣れないユーザーが製品を扱うと危険です。
- 製品とアクセサリのメンテナンスを行ってください。可動部品の誤調整や巻き付き、部品の破損や製品の動作に影響するその他の状態が発生していないことを確認します。破損している場合は、本製品を修理してから使用してください。多くの事故は、製品の保守不備によって発生します。
- 切削工具は研いだけ状態で清潔に保ちます。正しくメンテナンスされて研いである切削工具は、バインドすることも少なく、制御が簡単です。
- 本製品、アクセサリ、工具ビットなどは、作業条件と作業について考慮して、取扱説明書に従って使用してください。本製品の用途と異なる作業に本製品を使用すると、危険な状況を招くことがあります。
- ハンドル部および保持面は乾燥させて、オイルや油が付着しないようにきれいな状態を保ってください。ハンドルと保持面が滑りやすくと、予期しない状況で製品の安全な取り扱いや制御ができません。

## バッテリーツールの使用と手入れ

- メーカー指定の充電器のみを使って充電してください。1種類のバッテリーパックのみに適合する充電器は、それ以外のバッテリーパックの充電で使用すると、火災を起こす恐れがあります。
- 製品には、指定された専用バッテリーパックのみ使用してください。それ以外のバッテリーパックを使用すると、怪我や火災を招く危険があります。
- バッテリーパックを使用しないときは、ペーパーリップ、コイン、キー、爪きり、ネジなどの金物、

あるいは端子間を短絡する恐れがある他の小さな金物から遠ざけるようにしてください。バッテリー端子の短絡は、火傷や火災を引き起こす恐れがあります。

- 劣悪な環境では、液体がバッテリーから漏れ出すことがあります。そのような場合、液体には触れないようご注意ください。もし万が一誤って触れてしまった場合、水で洗い流してください。液体が目に入ってしまった場合、医師の診察を受けてください。バッテリーから漏れ出した液体は、炎症や火傷を引き起こすことがあります。
- 故障した、または改造されたバッテリーパックやツールは使用しないでください。故障した、または改造されたバッテリーは、予測不可能な挙動を起こし、発火や破裂、障害の原因となる可能性があります。
- バッテリーパックやツールを火や高温にさらさないでください。火または 130°C (265°F) 以上の温度環境にさらすと爆発する恐れがあります。
- 充電の手順にすべて従い、指示された温度範囲外でバッテリーパックまたはツールを充電しないでください。充電を不適切に行ったり、指定された範囲から外れた温度環境で行ったりした場合、バッテリーの損傷や火災発生の危険の増加につながることがあります。

## サービス

- 製品のサービスは、資格のある修理担当者が同じ交換部品を使って行うようにしてください。こうすることで、製品の安全性を維持できます。
- 損傷したバッテリーパックを決して修理しようとしないうでください。バッテリーパックの修理は、メーカーまたは販売店しか行えません。

## 本製品に関する安全上の警告

- 悪天候の場合、特に雷発生の危険がある場合は、本製品を使用しないでください。これは、落雷の危険を避けるためです。
- 本製品を使用するエリアの野生動物について十分に調査してください。本製品の動作中に野生動物が負傷する可能性があります。
- 本製品を使用するエリアを十分に調査して、すべての石、枝、ケーブル、骨などの異物を取り除いてください。飛んでくる物によって負傷する可能性があります。
- 本製品を使用する前に、必ずタインとタインアセンブリが摩耗または損傷していないことを目視で点検してください。パーツが摩耗または損傷していると、負傷する可能性が高くなります。
- グラスキャッチャーに摩耗や劣化がないか、頻繁に確認してください。グラスキャッチャーが磨耗または損傷していると、負傷する危険性が高くなります。
- ガードを取り付けてください。適切に動作するガードを正しく取り付ける必要があります。ガードに緩みや損傷がある場合や適切に動作しない場合は、負傷につながるおそれがあります。
- すべての冷却用吸気口から異物を取り除いてください。冷却用吸気口が異物で塞がれていると、火災を起こす危険性があります。

- 本製品の操作中は常に滑りにくい保護靴を着用してください。裸足やサンダルで本製品を操作しないでください。動作中のタインと足が接触しないようにすることで負傷の可能性が減少します。
- 本製品の操作中は、必ず長ズボンを着用してください。肌が露出している、飛ばされた物体によって負傷する可能性が高くなります。
- 本製品を濡れた手で操作しないでください。歩きながら操作し、決して走らないでください。滑って転倒して負傷する可能性が減少します。
- 本製品は急斜面では使用しないでください。制御が効かずに滑って転倒して負傷する可能性が減少します。
- 斜面で作業する場合は、常に足元を確認して、斜面を上下することは避けて横方向に移動してください。方向を変えるときは特に注意を払ってください。制御が効かずに滑って転倒して負傷する可能性が減少します。
- 本製品を後退させるとき、または手前に引くときは、細心の注意を払ってください。常に周囲に気をつけてください。これにより、運転中の転倒のリスクが低減されます。
- タインは離れた配線や自身のコードに接触する可能性があるため、絶縁グリップ面だけを掴んで本製品を持ってください。タインが「通電」している配線に接触することで、本製品の露出している金属部分は「通電」状態となることがあり、操作者が感電する危険性があります。
- タインやその他の危険な可動部品が動いている間は触れないでください。これにより、可動部品による負傷のリスクが低減されます。
- 詰まった物体を取り除くときや本製品を清掃するときは、すべての電源スイッチがオフで、バッテリーパックが外れていることを確認してください。誤って本製品が作動すると、重傷の原因となる可能性があります。

## 一般的な安全注意事項



**警告：** 本製品を使用する前に、以下の警告指示をお読みください。

- 本製品は、慎重かつ適切に使用しないと、危険な道具となります。安全注意事項に従わないと、負傷や死亡事故が発生するおそれがあります。
- 本製品では、運転中に電磁場が発生します。この電磁場は、ある条件下でアクティブ、またはパッシブな医療用インプラントに影響を及ぼすことがあります。深刻な傷害または致命傷の危険を避けるため、医療用インプラントを使用している方は、本製品を使用する前に主治医および医療用インプラントの製造元に相談することを勧めます。
- 常に常識に基づいて注意して使用してください。特殊な状況での本製品の操作方法がわからない場合、作業を続ける前に本製品を停止して、Husqvarna 販売店までご連絡ください。
- 第三者やその所有物が事故に巻き込まれた場合、その責任は、作業員にあることをご留意ください。

- 本製品は清潔に保ってください。標識やラベルがはつきりと読み取れるようにしてください。
- 子供や使用方法に習熟していない人に、本製品を使用させないでください。地域の規制によっては、使用者の年齢制限がある場合があります。
- 身体的、精神的にハンデを負った人が本製品を使用する場合は常に監視してください。責任を有する大人が常にそばにいる必要があります。
- 疲労時、疾病時、アルコールや医薬品の影響が残っているときは、本製品を使用しないでください。視力、注意力、動作、判断力に悪影響を与えます。
- 損傷した製品や正しく動作しない製品を使用しないでください。
- 本製品を改造しないでください。また、本製品が改造されている可能性がある場合は使用しないでください。

## 安全な作業



**警告：** 本製品を使用する前に、以下の警告指示をお読みください。

- 本製品は、芝生のサッチや苔を取り除くためののみ使用してください。他の作業には使用できません。
- 身体保護具を使用してください。参照：*身体保護具 448 ページ*。
- 緊急時にモーターをすばやく停止する方法を必ず確認してください。
- 雨降りや湿潤な環境下で本製品を操作しないでください。操作すると、感電のリスクが高くなります。
- タインやすべてのカバーを適切に装着してから本製品を始動させてください。タインが適切に装着されていないと、緩んで、怪我をすることがあります。
- タインが石や根などの物体にぶつからないように気を付けてください。タインが損傷したり、モーターシャフトが曲がったりするおそれがあります。シャフトが曲がるとう振動が激しくなり、タインが緩む危険性が非常に高くなります。
- タインが物に当たったり振動が発生したりした場合は、すぐに本製品を停止してください。モーターを停止し、安全キーを0の位置に回してバッテリーを取り外します。可動部品が停止するまで待ちます。製品に損傷がないか点検します。緩んだ部品を締め付けます。損傷部を修理するか、破損した部品を交換します。販売店にメンテナンスを依頼してください。
- モーターの始動時は、モーターブレーキハンドルをハンドルに完全に固定しないでください。
- 製品を平らで安定した面に置き、始動します。タインが地面やその他の物に触れないよう、注意してください。
- 本製品の操作時は、必ず製品の後ろに立ってください。
- 製品を操作するときは、すべてのホイールを地面につけ、両手でハンドルをつかんで操作してください。回転しているタインに手や足を近づけないでください。

- モーターの始動時や本製品の動作中には、本製品を傾けないでください。
- 本製品を後方に引くときは注意してください。
- モーターの作動中は、本製品を持ち上げないでください。本製品を持ち上げる必要がある場合は、まずモーターを停止させ、安全キーを0の位置に回してバッテリーを取り外してください。
- 本製品を操作するときは、後方に歩かないでください。
- 搬送のために本製品を傾ける必要がある場合や、砂利、石、アスファルトの道など草のない場所を通過する前には、モーターを停止してください。
- モーターの作動中は、本製品を操作しながら走らないでください。本製品を操作するときは、必ず歩いてください。
- 作業深さを変更する場合は、まずモーターを停止してください。モーターが作動している状態での調整は決して行わないでください。
- モーターが作動している状態で、見えない場所に製品を放置しないでください。モーターを停止し、安全キーを0の位置に回してバッテリーを取り外します。デサッチャー装置が回転しないことを確認します。
- 動作中の本製品の振動は、*主要諸元 455* ページの公称振動値とは異なる場合があります。これは製品の使用方法が異なることが理由です。本製品を頻繁に、または長期間使用する場合は、振動による負傷を防ぐために定期的に休憩を取ってください。

## 操作のための安全注意事項

### 身体保護具



**警告：** 本製品を使用する前に、以下の警告指示をお読みください。

- 身体保護具で怪我を完全に防止できるわけではありませんが、万が一事故が起こった場合、負傷の度合いを軽減することができます。適切な保護具の選択については、販売店にご相談ください。
- 丈夫で滑りやすいブーツや靴を着用してください。開放部の多い靴を使用したり、裸足で作業を行ったりしないでください。
- 厚手の長ズボンを着用してください。
- カutting装置の取り付け、点検、清掃を行う場合は、必要に応じて保護グローブを着用してください。
- イヤマフを使用することをお勧めします。

### 本製品の安全装置



**警告：** 本製品を使用する前に、以下の警告指示をお読みください。

- 損傷している、または正しく動作していない安全装置を取り付けた状態で、製品を使用しないでください。
- 安全装置を取り外したり、改造しないでください。

- 安全装置は定期的に点検してください。安全装置が損傷している、または正しく動作していない場合は、Husqvarna サービス販売店にお問い合わせください。

### カバーの点検

デサッチャーカバーは、本製品の振動を抑え、デサッチャー装置で負傷する危険性を低減します。

- サイドデサッチャーカバーを点検して、亀裂などの損傷がないことを確認してください。
- 後部カバーを点検して、亀裂などの損傷がないことを確認してください。

### モーターブレーキハンドル

モーターブレーキハンドルは、モーターを停止させるための物です。モーターブレーキハンドルを放すと、モーターが停止します。

モーターブレーキを点検するには、モーターを始動させてから、モーターブレーキハンドルを放します。モーターが3秒で停止しない場合は、Husqvarnaの認定サービス代理店にモーターブレーキの調整を依頼してください。

(図 19)

### 安全キー

安全キーはバッテリーリッドの下にあります。安全キーは、モーターに電力を供給するバッテリーを接続するために使用します。

- 安全キーを点検するには、モーターを始動して停止します。
- 安全キーが正しく機能している場合は、キーを「1」の位置に回したときのみモーターが始動します。

(図 20)

### 始動抑制装置の点検

始動抑制装置を点検して、モーターの作動が抑制されることを確認します。

1. ハンドルバーの方向にモーターブレーキハンドルを押しします。始動抑制装置により動きが停止します。
2. 始動抑制装置を押します。(図 21)
3. 始動抑制装置を放して、最初の位置に戻ることを確認します。

### バッテリーの安全



**警告：** 本製品を使用する前に、以下の警告指示をお読みください。

- Husqvarna 充電式バッテリーは、対応する Husqvarna 製品の電源としてのみ使用してください。負傷を防ぐため、このバッテリーを他の装置の電源として使用しないでください。
- 充電式ではないバッテリーは使用しないでください。



- ・ 感電するおそれがあります。バッテリーの端子を鍵や硬貨、ネジや他の金属に接触させないでください。バッテリーが短絡する原因になります。
- ・ バッテリーのエアスロットに物が入らないようにしてください。
- ・ バッテリーは直射日光や熱、裸火から保護してください。バッテリーが爆発して、やけどや化学熱傷を負うおそれがあります。
- ・ バッテリーは雨から遠ざけて、濡れない状態に維持してください。
- ・ バッテリーは電子レンジや高圧から保護してください。
- ・ バッテリーを分解したり壊したりしないでください。
- ・ バッテリーから漏れが発生した場合、身体や目に液体が触れないようにしてください。液体に触れた場合は、触れた箇所を大量の水で洗い流し、医療機関に相談してください。
- ・ 本製品のバッテリーは、周囲温度が 5°C~40°C の場合にのみ使用してください。
- ・ バッテリー充電器は、周囲温度が 5°C~40°C の場合にのみ使用してください。
- ・ バッテリーの温度が 50°C を超えると、バッテリーは充電されません。
- ・ バッテリーまたはバッテリー充電器は、水で洗淨しないでください。参照： *バッテリー 453* ページ。
- ・ 損傷したバッテリーは使用しないでください。
- ・ バッテリーは、くぎ、硬貨、宝飾品などの金属から離して保管してください。

## バッテリー充電器の安全性



**警告：** 本製品を使用する前に、以下の警告指示をお読みください。

- ・ Husqvarna 交換用バッテリーの充電には、QC バッテリー充電器のみを使用してください。
- ・ 感電や短絡のおそれがあります。充電器のエアスロットに物を入れないでください。バッテリー充電器を分解しないでください。充電器の端子を金属に接触させないでください。認可された主電源ソケットを使用してください。
- ・ 本製品では、運転中に電磁場が発生します。この電磁場は、ある条件下でアクティブ、またはパッシブな医療用インプラントに影響を及ぼすことがあります。深刻な傷害または致命傷の危険を避けるため、医療用インプラントを使用している方は、本製品を使用する前に主治医および医療用インプラントの製造元に相談することをお勧めします。
- ・ 定期的に充電器の電源コードを点検し、損傷や亀裂がないことを確認してください。
- ・ 電源コードを持ってバッテリー充電器を持ち上げないでください。主電源ソケットからバッテリー充電器を取り外す際は、プラグを引っ張ってください。電源コードを引っ張らないでください。
- ・ 電源コードや延長ケーブルが、水、油、鋭利な物に接触しないようにしてください。ケーブルがドアや

- ・ フェンスなどに挟まっていないことを確認してください。充電器が通電する可能性があります。
- ・ バッテリー充電器を水で洗淨しないでください。
- ・ 本バッテリー充電器は、8 才以上の子供、身体的、知覚的、精神的障害のある方、または経験や知識のない方でも、本バッテリー充電器の安全な使用に関する監督または指示を受け、関連する危険について理解することで使用できます。子供を充電器で遊ばせないでください。保護者による監督のない限り、子供にクリーニングおよびメンテナンスを行わせないでください。
- ・ 充電不可能なバッテリーを本バッテリー充電器で充電しないでください。
- ・ 可燃性の物質や、腐食の原因となる物質の近くでは、バッテリー充電器を使用しないでください。バッテリー充電器を覆わないでください。煙や火災が発生した場合、バッテリー充電器の電源プラグをコンセントから引き抜いてください。
- ・ 故障または破損したバッテリー充電器は使用しないでください。
- ・ バッテリーは、通気がよく直射日光が当たらない室内でのみ充電してください。濡れた状態でバッテリーを充電しないでください。

## メンテナンスのための安全注意事項



**警告：** 本製品を使用する前に、以下の警告指示をお読みください。

- ・ メンテナンス中に誤って始動しないようにするために、安全キーを「0」の位置に回して、バッテリーを取り外します。5 秒以上待ってから、メンテナンスを開始してください。
- ・ 適切にメンテナンス作業を実施すると、製品の寿命が延び、事故のリスクを低減することができます。認定サービス代理店に専門的な修理を依頼してください。詳しくは、最寄りのサービス代理店までお問い合わせください。
- ・ 本取扱説明書に記載されているメンテナンスのみを実施してください。本書に記載されている内容以外のメンテナンスは、必ず認定サービス代理店に依頼してください。
- ・ 負傷を防ぐために、安全装置を修理または改造しないでください。
- ・ テサッチャー装置を取り扱う際は、丈夫な作業用手袋を着用してください。テサッチャー装置は非常に鋭利なため、切り傷を負う危険性があります。
- ・ 最も安全で最良の性能を実現するために、テサッチャー装置のタインを目立てし、清潔に保ってください。
- ・ サービス代理店に本製品の定期点検を依頼し、必要な調整や修理を受けてください。
- ・ 損傷、摩耗、破損した部品は交換してください。必ずメーカーが推奨する純正スペアパーツのみを使用してください。その他のスペアパーツを使用すると、本製品が損傷し、事故の危険性が高まる可能性があります。

- アクセサリーの交換は、手順に従って実施してください。純正のアクセサリーのみを使用してください。
- 使用しないときは、製品、バッテリー、バッテリー充電器を別々に屋内の鍵のかかる乾燥した場所に保

管してください。子供や許可されていない人が、製品、バッテリー、バッテリー充電器に近づけないようにしてください。

## 組立

### はじめに



**警告：** 製品を組み立てる前に、安全に関する章を読んでください。



**警告：** 組み立て中に誤って始動しないようにするために、安全キーを0の位置に返し、バッテリーを取り外してから最低5秒間待ってください。

### ハンドルの組み立て

1. 下側ノブを緩めます。
2. 本製品の左右にある溝の下端までノブを動かします。(図 22)
3. ハンドルを2つの高さのいずれかにセットします。
4. カチッと音がして止まるまでノブをハンドル方向上方に動かします。(図 23)

5. ノブを完全に締め込みます。

### グラスキャッチャーの組み付け方法

1. グラスキャッチャーフレームを、バッグ下部の硬質な部分を使用してグラスバッグに取り付けます。フレームのハンドルがグラスバッグの上になるようにします。(図 24)
2. グラスキャッチャーフレームの下部をグラスキャッチャーの底の溝に取り付けます。
3. グラスバッグをグラスキャッチャーフレームにクリップで取り付けます。(図 25)
4. 後部カバーを持ち上げます。
5. グラスキャッチャーを正しい位置に動かします。(図 26)
6. グラスキャッチャーをシャーシの上端に取り付けます。漏れを防ぐため、後部カバーがグラスキャッチャーに密着していることを確認してください。(図 27)

## Operation ( 操作 )

### はじめに



**警告：** 本製品を操作する前に、安全に関する章をお読みになり、内容を理解してください。

### Husqvarna Connect

Husqvarna Connect は、モバイルデバイス用の無料アプリです。Husqvarna Connect アプリは、お持ちのHusqvarna 製品の拡張機能を提供します。

- 拡張製品情報。
- 製品の部品とサービスに関する情報とヘルプ。

### Husqvarna Connect の使い方

1. Husqvarna Connect アプリをモバイルデバイスにダウンロードします。
2. Husqvarna Connect アプリで登録を行います。
3. Husqvarna Connect アプリの指示に沿って、製品を接続して登録します。

### 作業深さの設定方法



**警告：** 本製品を操作するときは、作業深さを調整しないでください。

1. 作業深さの調整ノブを押して反時計方向に回すと、作業深さが深くなります。
2. 作業深さの調整ノブを押して時計方向に回すと、作業深さが浅くなります。(図 28)

### バッテリー



**警告：** バッテリーを使用する前に、安全に関する章をお読みになり、内容を理解してください。バッテリーおよびバッテリー充電器の取扱説明書もお読みになり、内容を理解してください。

バッテリーとバッテリー充電器を適切な周辺温度の場所に保管します。

	周辺温度
バッテリーの作動	5 °C ~ -40 °C
バッテリーの充電	5 °C ~ -40 °C

## バッテリーステータス

ディスプレイには、バッテリー残量やバッテリーに関する問題が表示されます。バッテリーインジケータボタンを押すと、バッテリーの充電状態の情報が表示されます。エラーが発生すると、バッテリーに関する警告マークが点灯します。参照： *バッテリー 453* ページ。

(図 29)

LED ランプ	バッテリーステータス
すべての LED が点灯	フル充電 (76 ~ 100%)
LED 1、LED 2、LED 3 が点灯	バッテリーは 51% ~ 75% 充電済み
LED 1、LED 2 が点灯	バッテリーは 26% ~ 50% 充電済み
LED 1 が点灯	バッテリーは 6% ~ 25% 充電済み。
LED 1 が点滅	バッテリーは 0% ~ 5% 充電済み。

## バッテリーの充電方法

初めて使用する前に、バッテリーを充電してください。お客様への出荷時、バッテリーは 30 %のみ充電されています。

**注記：** バッテリー充電器は、銘板で指定された電圧と周波数の電源に接続する必要があります。

バッテリーの温度が 50°C を超えている場合は、バッテリーが充電されません。バッテリー充電器は、バッテリーの温度が下がってから充電を開始します。

1. バッテリー充電器用電源コードの片端をバッテリー充電器のソケットに接続します。
2. バッテリー充電器用電源コードのもう一方の端を、アースされている主電源ソケットに接続します。バッテリー充電器の LED が一度緑色で点滅します。(図 30)
3. バッテリーをバッテリー充電器に取り付けます。バッテリーがバッテリー充電器に正しく接続されると、バッテリー充電器の緑色のランプが点灯します。(図 31)
4. バッテリーの LED がすべて点灯したら、バッテリーはフル充電されています。バッテリーを最大 24 時間充電します。
5. 主電源ソケットからバッテリー充電器を取り外す際は、電源コードではなくプラグを引いてください。
6. バッテリー充電器からバッテリーを外します。

## 本製品の始動方法

1. バッテリーリッドの下のバッテリー収納部 1 に、充電したバッテリーを入れます。動作時間を長くするには、充電した 2 つ目のバッテリーをバッテリー収納部 2 に入れます。

2. 安全キーを「1」に回します。(図 32)
3. 製品の後ろに立ってください。
4. コントロールパネルの ON/OFF ボタン (A) を押すと、緑色の LED (B) が点灯します。(図 33)
5. 始動抑制装置を緩めます。(図 34)
6. ハンドルバーの方向にモーターブレーキハンドルを押します。(図 35)

## SavE 機能の使用

本製品には、長時間の動作を実現するバッテリー節約機能 (SavE) が備わっています。

1. [SavE (セーブイー)] ボタン (A) を押すと、この機能が始動します。緑色の LED が点灯します。(図 36)
2. もう一度 [SavE (セーブイー)] ボタンを押すと、SavE 機能が停止します。緑色の LED (B) が消灯します。

## 高負荷機能

長い芝や濡れた芝を刈り取るときは、モーターの回転数が自動的に増加します。高負荷が不要になると、モーターは標準モードに戻ります。

## モーターの失速

動作中、カッティングカバーの下に詰まった草などの障害物が原因で、ブレードとモーターが一時的に停止することがあります。この場合、モーターブレーキハンドルを押し下げて維持すると、本製品は自動的に再始動します。5 ~ 10 秒以内に本製品が再始動しない場合は、カッティングカバーの下の清掃が必要になることがあります。参照： *製品の清掃方法 452* ページ。



**警告：** モーターが停止すると、本製品は 5 ~ 10 秒間、自動的に再始動を試みます。カッティングカバーを点検する前に、15 秒以上待ちます。



**警告：** カッティングカバーを点検する前に、モーターブレーキハンドルを放して、安全キーを回して 0 に合わせ、バッテリーを取り外して 5 秒以上待ちます。障害物を取り除いた状態で本製品が誤って始動すると、負傷するおそれがあります。

## 本製品の停止方法

10 分間操作しないと、本製品は自動的に停止します。モーターが作動している状態で、見えない場所に製品を放置しないでください。モーターを停止し、安全キーを 0 の位置に回してバッテリーを取り外します。デサッチャー装置が回転しないことを確認します。

1. モーターブレーキハンドルを放すと、モーターは停止します。(図 37)
2. コントロールパネルの ON/OFF ボタン (A) を押すと、緑色の LED (B) が消灯します。(図 33)

3. バッテリーリッドを開いて、安全キーを「0」の位置に回します。(図 38)
4. バッテリーを取り外すには、2つの解除ボタンを同時に押して、バッテリーを引き出します。(図 39)

5. バッテリーの充電が不足している場合は、充電してください。詳細については、*バッテリーの充電方法 451* ページを参照してください。

## メンテナンス

### はじめに



**警告：** メンテナンスを行う前に、安全に関する章をお読みにになり、内容を理解してください。

本製品のすべての整備と修理作業には、特別な訓練が必要です。当社では責任をもって専門的な修理と整備作業を提供します。お客様の販売店がサービス代理店でない場合は、最寄りのサービス代理店に関する情報をお問い合わせください。

詳しくは、[www.husqvarna.com](http://www.husqvarna.com) を参照してください。

### メンテナンスのスケジュール

メンテナンス間隔は、本製品が毎日使用されることを前提に算出されています。本製品を毎日使用しない場合は、メンテナンス間隔が変わります。

\* の印の付いたメンテナンスについては、*本製品の安全装置 448* ページを参照してください。

S 138i	使用ごと	毎月	季節ごと
一般的な点検を実施します。	X		
製品を清掃します。	X		
デサッチャー装置を点検します。	X		
本製品の安全装置に不具合がないことを確認します。*	X		
カバーを点検します。*	X		
モーターブレーキハンドルを点検します。*	X		
始動抑制装置を点検します。*	X		
ON/OFF ボタンが正しく機能し、不具合がないことを確認します。	X		
バッテリーに損傷がないか点検します。	X		
バッテリー充電器を点検します。	X		
バッテリーの解除ボタンが正常に作動し、本製品にバッテリーをロックできるか確認します。	X		
バッテリー充電器に損傷がないか点検し、正しく作動することを確認します。		X	
バッテリーと本製品の接続部を点検します。バッテリーとバッテリー充電器の接続部も点検します。			X

### 一般点検の実施方法

- 製品のナットとネジが締め込まれていることを確認してください。
- 製品のケーブルが損傷しやすい場所に配置されていないことを確認してください。

### 製品の清掃方法

- プラスチック部品は清潔で乾燥した布で清掃してください。
- 本製品を水で洗淨しないでください。バッテリーやモーターに水が浸入して、本製品が短絡したり、破損したりする原因となります。

- 本製品の清掃には高圧水を使用しないでください。
- モーターに直接水をかけないでください。
- ブラシで、葉、草、土を取り除いてください。

### バッテリーとバッテリー充電器の清掃方法



**警告：** バッテリーまたはバッテリー充電器は、水で洗淨しないでください。



**警告：** バッテリーの清掃には化学物質を使用しないでください。

- バッテリーをバッテリー充電器にセットする前に、バッテリーとバッテリー充電器に汚れがなく、乾燥していることを確認してください。
- 圧縮空気を使用してバッテリー端子を清掃するか、柔らかい乾いた布で拭いてください。
- バッテリーとバッテリー充電器の表面を柔らかい乾いた布で拭いてください。

## デサッチャー装置の点検方法



**警告：** 誤って始動しないようにするために、安全キーを「0」の位置に回し、バッテリーを取り外してから最低5秒間待ってください。



**警告：** デサッチャー装置のメンテナンスを実施するときは、保護グローブを着用して

ください。デサッチャー装置のタインは非常に鋭利なため、切り傷を負う危険性があります。



**警告：** デサッチャー装置のメンテナンスを実施するときは、保護グローブを着用してください。デサッチャー装置は非常に鋭利なため、切り傷を負う危険性があります。

## デサッチャー装置の交換方法

1. 本製品を右側に置きます。(図 40)
2. 2本のネジ(A)とデサッチャーカバー(B)を取り外します。デサッチャー装置(C)を押し上げて取り外します。(図 41)
3. 新しいデサッチャー装置(C)を溝に押し込んで、下向きに穴に押し込みます。デサッチャーカバー(B)と2本のネジ(A)を取り付けます。(図 42)

# トラブルシューティング

## バッテリー

バッテリーのLED	原因	解決策
緑色のLEDが点滅します。	バッテリーの電圧が低下しています。	バッテリーを充電してください。参照：バッテリーの充電方法 451 ページ。
バッテリーエラー LED が点滅します。	バッテリーの温度が低すぎるかまたは高すぎるため、使用できません。	バッテリーの温度が下がるまで待つか、屋内に入れて温度を上げます。バッテリーの温度が適切になると、使用できるようになります。本製品にバッテリーは、周囲温度が5°C ~ -40°C の場合にのみ使用してください。
	バッテリーは空です。	バッテリーを充電してください。参照：バッテリーの充電方法 451 ページ。
バッテリーエラー LED が点灯します。	永続的なバッテリーエラーが発生しています。	Husqvarna サービス販売店にお問い合わせください。

## バッテリー充電器

バッテリー充電器の LED	原因	解決策
エラー LED が点滅または点灯します。	バッテリー充電器の温度が低すぎるか高すぎるため、使用できません。	バッテリー充電器の温度が下がるまで待つか、室内に入れて温度を上げます。バッテリー充電器の温度が適切になると、再度使用できるようになります。バッテリー充電器は、周囲温度が 5°C ~ -40°C の場合にのみ使用してください。
	その他のエラー。	Husqvarna サービス販売店にお問い合わせください。

## コントロールパネル

エラー	エラーコード(点滅回数)	想定される障害	対応措置	
エラー LED が点滅	3	モーターが過負荷になっています。	作業深さを浅くします。参照：作業深さの設定方法 450 ページ。エラー LED が点滅し続ける場合は、デサッチャー装置がブロックされています。誤って始動しないようにするために、安全キーを「0」の位置に回し、バッテリーを取り外してから最低 5 秒間待ってください。デサッチャー装置がスムーズに動くことを確認してください。問題が解決しない場合は、認定サービス代理店に相談してください。	
	5	モーター回転数が大幅に低下し、モーターが停止しています。		
	9	モーターコントロールが高温です。		モーターを停止し、温度が下がるまで待ちます。
	7	バッテリーのエラー、またはバッテリーからの信号がありません。		バッテリーを製品に正しく取り付け、バッテリーのコネクターを点検してください。バッテリーのエラー LED が点滅する場合は、バッテリー 453 ページを参照してください。
		バッテリーの充電が不足しています。	バッテリーを充電してください。参照：バッテリーの充電方法 451 ページ。	
製品が停止	6	バッテリーの充電が不足しています。	バッテリーを充電してください。参照：バッテリーの充電方法 451 ページ。	
	点滅しません。	バッテリーコネクターの不具合です。	バッテリーコネクターを点検します。	
その他のエラー	その他のエラーが発生した場合は、安全キーを「0」に回し、バッテリーを取り外して、認定サービス代理店にお問い合わせください。			

## 搬送、保管、廃棄

### はじめに

回し、バッテリーを取り外してから最低 5 秒間待ってください。



**警告：** 搬送時や保管時に誤って始動しないようにするために、安全キーを 0 の位置に

## 搬送

- 付属のリチウムイオン電池には、危険物の規制に関する規則が適用されます。
- 商用搬送においては、梱包およびラベル付けに関する特別な要件を遵守する必要があります。
- 本製品の搬送準備をする際は、危険物に関する規制を遵守していることを確認してください。地域の規制が適用されることがあります。
- 搬送時は常にバッテリーを外してください。
- バッテリーのコネクターにテープを貼り、搬送中にバッテリーが動かないようにしてください。
- 搬送中、本製品を固定してください。

## 保管

- 保管時は常にバッテリーを外してください。
- 保管前に本製品を冷ましてください。
- 事故防止のため、保管時はバッテリーが本製品に接続されていないことを確認してください。
- バッテリー充電器は、密閉された乾燥した場所に保管してください。
- 湿気や霜が発生しない乾燥した場所に、バッテリーとバッテリー充電器を保管してください。
- 保管時は、バッテリーをバッテリー充電器から取り外してください。
- 静電気が発生するような場所にはバッテリーを保管しないでください。バッテリーは金属製の箱に保管しないでください。
- 本製品は、周囲温度が  $-10^{\circ}\text{C}$  ~  $40^{\circ}\text{C}$  の場所に保管してください。

- バッテリーは、 $5^{\circ}\text{C}$  ~  $25^{\circ}\text{C}$  の温度環境で直射日光に当たらない場所に保管してください。
- バッテリー充電器は、 $5^{\circ}\text{C}$  ~  $45^{\circ}\text{C}$  の温度環境で直射日光に当たらない場所に保管してください。
- バッテリーを長期間保管する前に、バッテリー充電量を 30% ~ 50% にしてください。
- 製品、バッテリー、バッテリー充電器は、鍵のかかる場所に保管し、子供や許可されていない人の手が届かないようにしてください。
- 本製品を清掃し、グラスキャッチャーが空であることを確認します。
- 取扱説明書に記載されているメンテナンスを実施してください。参照：メンテナンスのスケジュール 452 ページ。
- 長期間保管する前に、完全に整備してください。

## 廃棄

本製品や本製品パッケージ上のマークは、本製品が家庭ゴミとして取り扱われてはならないことを示します。電気・電子機器の再利用を行うため、適切にリサイクル営業所に引き渡す必要があります。

以上を遵守することで、本製品は正しく処理され、本製品を不適切に廃棄した場合に環境や人に与えられる悪影響を防止することができます。本製品のリサイクルについての詳細は、あなたの所在する地区の地方自治体、廃棄物処理サービス、本製品を購入した代理店に連絡してください。

(図 43)

## 主要諸元

### 主要諸元

<b>S 138i</b>	
<b>モーター</b>	
モータータイプ	BLDC ( ブラシレス ) 36 V
アタッチメント回転数 - SavE、r/min	3000
アタッチメント回転数 - 公称、r/min	3200
モーター出力 - 最大、kW	1.28
モーター出力 - 公称、kW	0.9
<b>質量</b>	
質量 ( バッグなし、バッテリーを除く )、kg	19.5
重量 ( バッグあり、BLi30 x 1 )、kg	23
<b>バッテリー</b>	
バッテリーの種類	Husqvarna バッテリーシリーズ
<b>バッテリー稼働時間</b>	

<b>S 138i</b>	
バッテリー稼働時間、分、(無負荷) SavE (セーブイー) オン、Husqvarna 製 7.5 Ah バッテリー (BLi30) 1 個の場合。	195
バッテリー稼働時間、分、(無負荷) 標準モードオン、Husqvarna 製 7.5 Ah バッテリー (BLi30) 1 個の場合。	175
<b>騒音排出</b> <sup>82</sup>	
実測音響レベル dB (A)	89
保証音響レベル ( $L_{WA}$ ) dB (A)	91
<b>サウンドレベル</b> <sup>83</sup>	
使用者の耳における音圧レベル、dB (A)	75
<b>振動レベル</b> <sup>84</sup>	
ハンドル、 $m/s^2$	5.5
<b>動作</b>	
最大作業深さ/最小作業深さ、mm	-8/+5
作業深さ、cm	37.5
ブレードタインアタッチメント	5973510-01
スプリングタインアタッチメント	5973509-01
グラスキャッチャー容量、リットル	45

認可されたバッテリー	タイプ	バッテリー容量 (Ah)	電圧 (V)	質量、ポンド / kg
BLi30	リチウムイオン	7.5	36	4.2/1.9
40-B140	リチウムイオン	4.0	36	2.6/1.2

指定バッテリーに適合する認定充電器、BLi	入力電圧、V	周波数、Hz	電力、W
40-C80	100 ~ 240	50 ~ 60	68.8
QC250	220 ~ 240	50	250

<sup>82</sup> 環境における騒音の排出は、EC 指令 2000/14/EC に従って、音響パワー ( $L_{WA}$ ) として測定。

<sup>83</sup> 報告データによれば、騒音圧力レベルの不確定性係数 (K) は 1.5 dB (A) です。

<sup>84</sup> 報告データによれば、振動レベルの不確定性係数 (K) は 1.5  $m/s^2$  です。公称振動合成値は規格 EN 62841-4-7、付録 I に則って測定されており、装置間の比較および振動暴露の予備評価に使用できます。



---

## 適合宣言

---

## EU 適合宣言

ハスクバーナ社 ( Husqvarna AB, SE-561 82 Huskvarna, Sweden、電話番号 : +46-36-146500 ) は、単独責任のもとで、以下の製品の適合を宣言します。

名称	スカリファイヤ
ブランド	Husqvarna
タイプ / モデル	S 138i
ID	2023 年以降のシリアル番号

が以下の EU 指令および規制を完全に順守し、

指令 / 規制	名称
2011/65/EU	「電気・電子製品に含まれる特定有害物質の使用制限に関する」
2006/42/EC	「機械類に関する」
2014/30/EU	「電磁環境適合性に関する」
2000/14/EC	「環境への騒音排出に関する」

および以下の規格または技術仕様が適用されています。  
EN 62841-1:2015/A11:2022, EN IEC 62841-4-7:2022/  
A11:2022, EN ISO 12100:2010, EN 55014-1:2017/  
A11:2020, EN 55014-2:2015, EN IEC 63000:2018。

騒音排出に関する詳細 : 主要諸元 455 ページ。

Huskvarna, 2023-12-30



Claes Losdal

開発マネージャー / 造園製品

ハスクバーナ AB

正式代表兼技術文書担当







FR

Cet appareil,  
ses cordons,  
et batterie  
se recyclent

À DÉPOSER  
EN MAGASIN

OU

À DÉPOSER  
EN DÉCHÈTERIE

Points de collecte sur [www.quefairedemesdechets.fr](http://www.quefairedemesdechets.fr)  
Privilégiez la réparation ou le don de votre appareil !

# Husqvarna®

[www.husqvarna.com](http://www.husqvarna.com)

Original instructions  
Оригинални инструкции  
Původní pokyny  
Originale instruktioner  
Originalanweisungen  
Αρχικές οδηγίες  
Instrucciones originales  
Originalaajuhend  
Alkuperäiset ohjeet  
Instructions d'origine

Originalne upute  
Eredeti útmutatás  
Istruzioni originali  
Originalios instrukcijos

Lietošanas pamācība  
Originale instructies  
Originale instruksjoner  
Oryginalne instrukcje  
Instruções originais  
Instrucțiuni inițiale  
Оригинальные инструкции  
Pôvodné pokyny  
Izvirna navodila  
Originalna uputstva  
Bruksanvisning i original  
Orjinal talimatlar  
Оригинальні інструкції  
取扱説明書原本



FR



1143796-38



2023-11-17