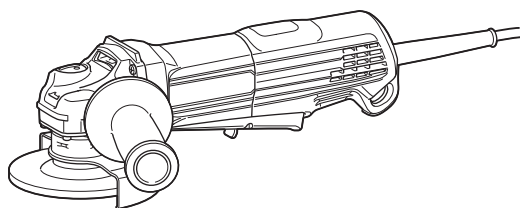




<b>EN</b>	Angle Grinder	INSTRUCTION MANUAL	5
<b>FR</b>	Meuleuse d'Angle	MANUEL D'INSTRUCTIONS	12
<b>DE</b>	Winkelschleifer	BETRIEBSANLEITUNG	19
<b>IT</b>	Smerigliatrice angolare	ISTRUZIONI PER L'USO	27
<b>NL</b>	Haakse slijpmachine	GEBRUIKSAANWIJZING	35
<b>ES</b>	Esmeriladora Angular	MANUAL DE INSTRUCCIONES	43
<b>PT</b>	Esmerilhadeira Angular	MANUAL DE INSTRUÇÕES	51
<b>DA</b>	Vinkelsliber	BRUGSANVISNING	58
<b>EL</b>	Γωνιακός λειαντήρας	ΕΓΧΕΙΡΙΔΙΟ ΟΔΗΓΙΩΝ	65
<b>TR</b>	Taşlama Makinası	KULLANMA KILAVUZU	73

**GA4051R**  
**GA4551R**  
**GA5051R**



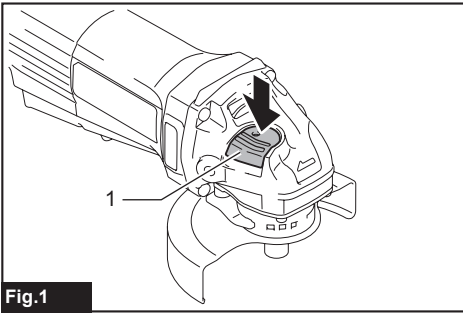


Fig.1

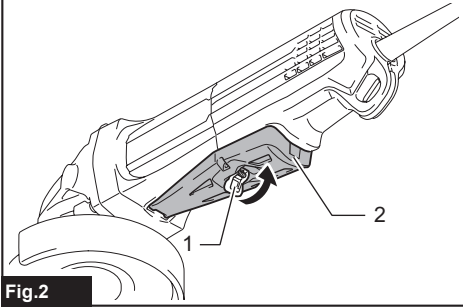


Fig.2

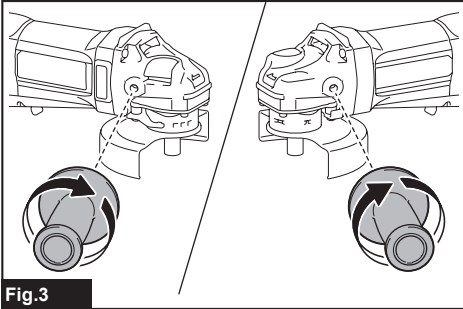


Fig.3

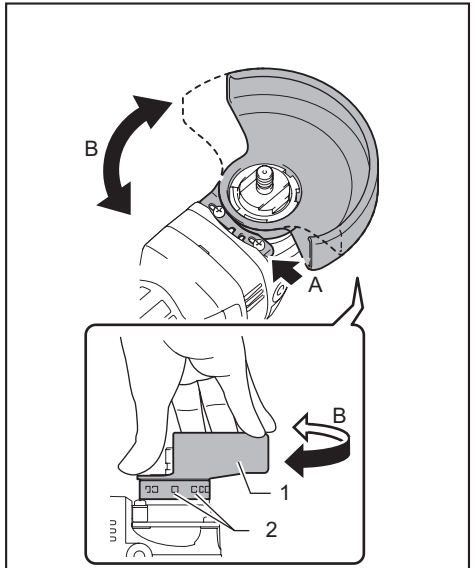


Fig.4

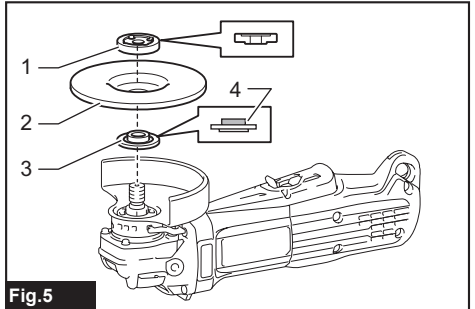


Fig.5

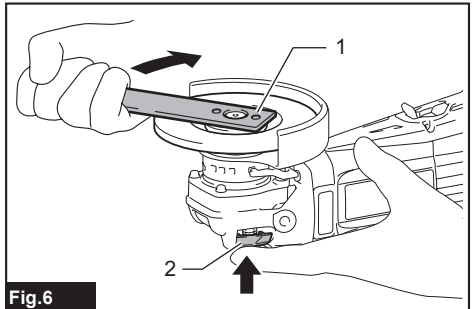
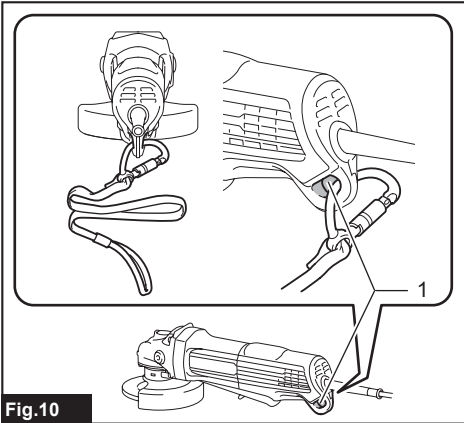
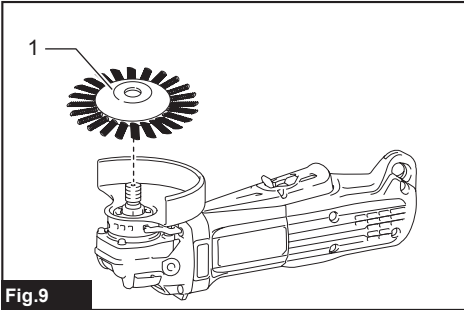
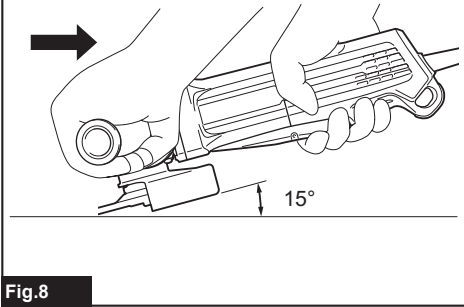
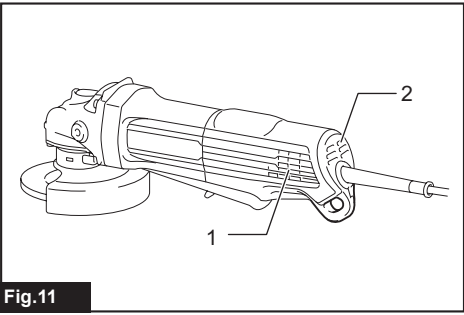
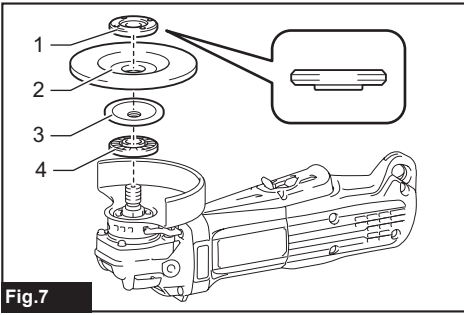
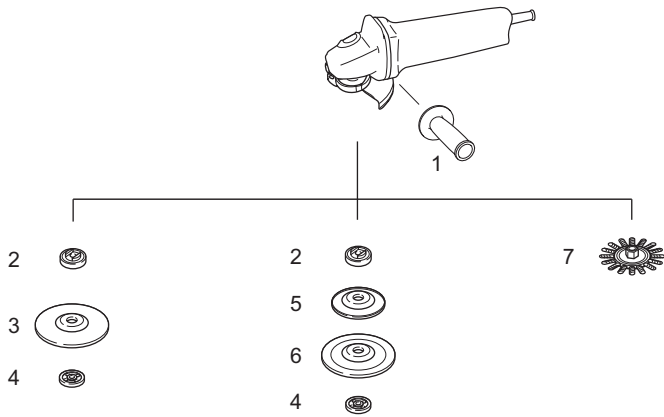


Fig.6





**Fig.12**



## SPECIFICATIONS

Model:	GA4051R	GA4551R	GA5051R
Wheel diameter	100 mm (4")	115 mm (4-1/2")	125 mm (5")
Max. wheel thickness	6.4 mm (1/4")	7.2 mm (9/32")	
Spindle thread	M10	M14 or 5/8"	
Rated speed (n)	11,000 min <sup>-1</sup>		
Overall length	325 mm		
Net weight	2.3 - 2.5 kg	2.5 - 2.7 kg	
Safety class	□/II		

- Due to our continuing program of research and development, the specifications herein are subject to change without notice.
- Specifications may differ from country to country.
- The weight may differ depending on the attachment(s). The lightest and heaviest combination, according to EPTA-Procedure 01/2014, are shown in the table.

### Intended use

The tool is intended for grinding without the use of water.

### Power supply

The tool should be connected only to a power supply of the same voltage as indicated on the nameplate, and can only be operated on single-phase AC supply. They are double-insulated and can, therefore, also be used from sockets without earth wire.

### Noise

The typical A-weighted noise level determined according to EN60745-2-3:

Model	Sound pressure level (L <sub>ppA</sub> ) : (dB(A))	Sound power level (L <sub>WA</sub> ) : (dB(A))	Uncertainty (K) : (dB(A))
GA4051R	91	102	3
GA4551R	91	102	3
GA5051R	91	102	3

**NOTE:** The declared noise emission value(s) has been measured in accordance with a standard test method and may be used for comparing one tool with another.

**NOTE:** The declared noise emission value(s) may also be used in a preliminary assessment of exposure.

**⚠ WARNING:** Wear ear protection.

**⚠ WARNING:** The noise emission during actual use of the power tool can differ from the declared value(s) depending on the ways in which the tool is used especially what kind of workpiece is processed.

**⚠ WARNING:** Be sure to identify safety measures to protect the operator that are based on an estimation of exposure in the actual conditions of use (taking account of all parts of the operating cycle such as the times when the tool is switched off and when it is running idle in addition to the trigger time).

### Vibration

The vibration total value (tri-axial vector sum) determined according to EN60745-2-3:

**Work mode: surface grinding with normal side grip**

Model	Vibration emission (a <sub>hV AG</sub> ) : (m/s <sup>2</sup> )	Uncertainty (K) : (m/s <sup>2</sup> )
GA4051R	6.5	1.5
GA4551R	7.0	1.5
GA5051R	7.5	1.5

## Work mode: surface grinding with anti vibration side grip

Model	Vibration emission ( $a_{hv, AG}$ ) : (m/s <sup>2</sup> )	Uncertainty (K) : (m/s <sup>2</sup> )
GA4051R	5.5	1.5
GA4551R	7.0	1.5
GA5051R	8.5	1.5

## Work mode: disc sanding with normal side grip

Model	Vibration emission ( $a_{hv, AG}$ ) : (m/s <sup>2</sup> )	Uncertainty (K) : (m/s <sup>2</sup> )
GA4051R	2.5 m/s <sup>2</sup> or less	1.5
GA4551R	2.5	1.5
GA5051R	2.5 m/s <sup>2</sup> or less	1.5

## Work mode: disc sanding with anti vibration side grip

Model	Vibration emission ( $a_{hv, AG}$ ) : (m/s <sup>2</sup> )	Uncertainty (K) : (m/s <sup>2</sup> )
GA4051R	2.5 m/s <sup>2</sup> or less	1.5
GA4551R	2.5 m/s <sup>2</sup> or less	1.5
GA5051R	2.5 m/s <sup>2</sup> or less	1.5

**NOTE:** The declared vibration total value(s) has been measured in accordance with a standard test method and may be used for comparing one tool with another.

**NOTE:** The declared vibration total value(s) may also be used in a preliminary assessment of exposure.

**⚠ WARNING:** The vibration emission during actual use of the power tool can differ from the declared value(s) depending on the ways in which the tool is used especially what kind of workpiece is processed.

**⚠ WARNING:** Be sure to identify safety measures to protect the operator that are based on an estimation of exposure in the actual conditions of use (taking account of all parts of the operating cycle such as the times when the tool is switched off and when it is running idle in addition to the trigger time).

**⚠ WARNING:** The declared vibration emission value is used for main applications of the power tool. However if the power tool is used for other applications, the vibration emission value may be different.

## EC Declaration of Conformity

### For European countries only

The EC declaration of conformity is included as Annex A to this instruction manual.

## SAFETY WARNINGS

### General power tool safety warnings

**⚠ WARNING:** Read all safety warnings, instructions, illustrations and specifications provided with this power tool. Failure to follow all instructions listed below may result in electric shock, fire and/or serious injury.

## Save all warnings and instructions for future reference.

The term "power tool" in the warnings refers to your mains-operated (corded) power tool or battery-operated (cordless) power tool.

## Grinder safety warnings

### Safety Warnings Common for Grinding, Wire Brushing Operations:

1. **This power tool is intended to function as a grinder or wire brush. Read all safety warnings, instructions, illustrations and specifications provided with this power tool.** Failure to follow all instructions listed below may result in electric shock, fire and/or serious injury.
2. **Operations such as polishing, sanding and cutting-off are not recommended to be performed with this power tool.** Operations for which the power tool was not designed may create a hazard and cause personal injury.
3. **Do not use accessories which are not specifically designed and recommended by the tool manufacturer.** Just because the accessory can be attached to your power tool, it does not assure safe operation.
4. **The rated speed of the accessory must be at least equal to the maximum speed marked on the power tool.** Accessories running faster than their rated speed can break and fly apart.
5. **The outside diameter and the thickness of your accessory must be within the capacity rating of your power tool.** Incorrectly sized accessories cannot be adequately guarded or controlled.

6. **Threaded mounting of accessories must match the grinder spindle thread. For accessories mounted by flanges, the arbour hole of the accessory must fit the locating diameter of the flange.** Accessories that do not match the mounting hardware of the power tool will run out of balance, vibrate excessively and may cause loss of control.
7. **Do not use a damaged accessory. Before each use inspect the accessory such as wire brush for loose or cracked wires. If power tool or accessory is dropped, inspect for damage or install an undamaged accessory. After inspecting and installing an accessory, position yourself and bystanders away from the plane of the rotating accessory and run the power tool at maximum no-load speed for one minute.** Damaged accessories will normally break apart during this test time.
8. **Wear personal protective equipment. Depending on application, use face shield, safety goggles or safety glasses. As appropriate, wear dust mask, hearing protectors, gloves and workshop apron capable of stopping small abrasive or workpiece fragments.** The eye protection must be capable of stopping flying debris generated by various operations. The dust mask or respirator must be capable of filtrating particles generated by your operation. Prolonged exposure to high intensity noise may cause hearing loss.
9. **Keep bystanders a safe distance away from work area. Anyone entering the work area must wear personal protective equipment.** Fragments of workpiece or of a broken accessory may fly away and cause injury beyond immediate area of operation.
10. **Hold the power tool by insulated gripping surfaces only, when performing an operation where the cutting accessory may contact hidden wiring or its own cord.** Cutting accessory contacting a "live" wire may make exposed metal parts of the power tool "live" and could give the operator an electric shock.
11. **Position the cord clear of the spinning accessory.** If you lose control, the cord may be cut or snagged and your hand or arm may be pulled into the spinning accessory.
12. **Never lay the power tool down until the accessory has come to a complete stop.** The spinning accessory may grab the surface and pull the power tool out of your control.
13. **Do not run the power tool while carrying it at your side.** Accidental contact with the spinning accessory could snag your clothing, pulling the accessory into your body.
14. **Regularly clean the power tool's air vents.** The motor's fan will draw the dust inside the housing and excessive accumulation of powdered metal may cause electrical hazards.
15. **Do not operate the power tool near flammable materials.** Sparks could ignite these materials.
16. **Do not use accessories that require liquid coolants.** Using water or other liquid coolants may result in electrocution or shock.

## Kickback and Related Warnings

Kickback is a sudden reaction to a pinched or snagged rotating wheel, backing pad, brush or any other accessory. Pinching or snagging causes rapid stalling of the rotating accessory which in turn causes the uncontrolled power tool to be forced in the direction opposite of the accessory's rotation at the point of the binding. For example, if an abrasive wheel is snagged or pinched by the workpiece, the edge of the wheel that is entering into the pinch point can dig into the surface of the material causing the wheel to climb out or kick out. The wheel may either jump toward or away from the operator, depending on direction of the wheel's movement at the point of pinching. Abrasive wheels may also break under these conditions. Kickback is the result of power tool misuse and/or incorrect operating procedures or conditions and can be avoided by taking proper precautions as given below.

1. **Maintain a firm grip on the power tool and position your body and arm to allow you to resist kickback forces. Always use auxiliary handle, if provided, for maximum control over kickback or torque reaction during start-up.** The operator can control torque reactions or kickback forces, if proper precautions are taken.
2. **Never place your hand near the rotating accessory.** Accessory may kickback over your hand.
3. **Do not position your body in the area where power tool will move if kickback occurs.** Kickback will propel the tool in direction opposite to the wheel's movement at the point of snagging.
4. **Use special care when working corners, sharp edges etc. Avoid bouncing and snagging the accessory.** Corners, sharp edges or bouncing have a tendency to snag the rotating accessory and cause loss of control or kickback.
5. **Do not attach a saw chain woodcarving blade or toothed saw blade.** Such blades create frequent kickback and loss of control.

## Safety Warnings Specific for Grinding Operations:

1. **Use only wheel types that are recommended for your power tool and the specific guard designed for the selected wheel.** Wheels for which the power tool was not designed cannot be adequately guarded and are unsafe.
2. **The grinding surface of centre depressed wheels must be mounted below the plane of the guard lip.** An improperly mounted wheel that projects through the plane of the guard lip cannot be adequately protected.
3. **The guard must be securely attached to the power tool and positioned for maximum safety, so the least amount of wheel is exposed towards the operator.** The guard helps to protect the operator from broken wheel fragments, accidental contact with wheel and sparks that could ignite clothing.
4. **Wheels must be used only for recommended applications.**
5. **Always use undamaged wheel flanges that are of correct size and shape for your selected wheel.** Proper wheel flanges support the wheel thus reducing the possibility of wheel breakage.
6. **Do not use worn down wheels from larger power tools.** Wheel intended for larger power tool is not suitable for the higher speed of a smaller tool and may burst.

### Safety Warnings Specific for Wire Brushing Operations:

1. **Be aware that wire bristles are thrown by the brush even during ordinary operation. Do not overstress the wires by applying excessive load to the brush.** The wire bristles can easily penetrate light clothing and/or skin.
2. **If the use of a guard is recommended for wire brushing, do not allow any interference of the wire wheel or brush with the guard.** Wire wheel or brush may expand in diameter due to work load and centrifugal forces.

### Additional Safety Warnings:

1. **When using depressed centre grinding wheels, be sure to use only fiberglass-reinforced wheels.**
2. **NEVER USE Stone Cup type wheels with this grinder.** This grinder is not designed for these types of wheels and the use of such a product may result in serious personal injury.
3. **Be careful not to damage the spindle, the flange (especially the installing surface) or the lock nut.** Damage to these parts could result in wheel breakage.
4. **Make sure the wheel is not contacting the workpiece before the switch is turned on.**
5. **Before using the tool on an actual workpiece, let it run for a while. Watch for vibration or wobbling that could indicate poor installation or a poorly balanced wheel.**
6. **Use the specified surface of the wheel to perform the grinding.**
7. **Do not leave the tool running. Operate the tool only when hand-held.**
8. **Do not touch the workpiece immediately after operation; it may be extremely hot and could burn your skin.**
9. **Do not touch accessories immediately after operation; it may be extremely hot and could burn your skin.**
10. **Observe the instructions of the manufacturer for correct mounting and use of wheels. Handle and store wheels with care.**
11. **Do not use separate reducing bushings or adaptors to adapt large hole abrasive wheels.**
12. **Use only flanges specified for this tool.**
13. **For tools intended to be fitted with threaded hole wheel, ensure that the thread in the wheel is long enough to accept the spindle length.**
14. **Check that the workpiece is properly supported.**
15. **Pay attention that the wheel continues to rotate after the tool is switched off.**
16. **If working place is extremely hot and humid, or badly polluted by conductive dust, use a short-circuit breaker (30 mA) to assure operator safety.**
17. **Do not use the tool on any materials containing asbestos.**
18. **Do not use cloth work gloves during operation.** Fibers from cloth gloves may enter the tool, which causes tool breakage.

## SAVE THESE INSTRUCTIONS.

**⚠ WARNING:** DO NOT let comfort or familiarity with product (gained from repeated use) replace strict adherence to safety rules for the subject product. MISUSE or failure to follow the safety rules stated in this instruction manual may cause serious personal injury.

## FUNCTIONAL DESCRIPTION

**⚠ CAUTION:** Always be sure that the tool is switched off and unplugged before adjusting or checking function on the tool.

### Shaft lock

Press the shaft lock to prevent spindle rotation when installing or removing accessories.

► Fig.1: 1. Shaft lock

**NOTICE:** Never actuate the shaft lock when the spindle is moving. The tool may be damaged.

### Switch action

**⚠ CAUTION:** Before plugging in the tool, always check to see that the switch trigger actuates properly and returns to the "OFF" position when released.

**⚠ CAUTION:** Do not pull the switch lever forcibly without pressing the lock-off button. The switch may break.

To prevent the switch lever from accidentally pulled, a lock-off lever is provided. To start the tool, pull the lock-off lever toward the operator, and then pull the switch lever. Release the switch lever to stop.

► Fig.2: 1. Lock-off lever 2. Switch lever

### Unintentional restart proof

The tool does not start while pulling the switch lever even when the tool is plugged. To start the tool, first release the switch lever. Then pull the lock-off lever, and pull the switch lever.

**NOTE:** Wait more than one second before restarting the tool when unintentional restart proof functions.

### Soft start feature

Soft start feature reduces starting reaction.

## ASSEMBLY

**⚠ CAUTION:** Always be sure that the tool is switched off and unplugged before carrying out any work on the tool.

### Installing side grip (handle)

**⚠ CAUTION:** Always be sure that the side grip is installed securely before operation.

Screw the side grip securely on the position of the tool as shown in the figure.

► Fig.3

## Adjusting angle of wheel guard

**⚠ WARNING:** Make sure that the wheel guard is securely locked by the lock lever with one of the holes on the wheel guard.

The angle of the wheel guard can be adjusted. While pushing the lock lever, rotate the wheel guard toward B, and then, change the angle of the wheel guard according to the work so that the operator can be protected. Align the lock lever with one of the holes in the wheel guard, and then release the lock lever to lock the wheel guard.

► **Fig.4:** 1. Wheel guard 2. Hole

## Installing or removing depressed center wheel or flap disc

### Optional accessory

**⚠ WARNING:** When using a depressed center wheel or flap disc, the wheel guard must be fitted on the tool so that the closed side of the guard always points toward the operator.

**⚠ CAUTION:** Make sure that the mounting part of the inner flange fits into the inner diameter of the depressed center wheel / flap disc perfectly. Mounting the inner flange on the wrong side may result in the dangerous vibration.

Mount the inner flange onto the spindle. Make sure to fit the dented part of the inner flange onto the straight part at the bottom of the spindle. Fit the depressed center wheel / flap disc on the inner flange and screw the lock nut onto the spindle.

► **Fig.5:** 1. Lock nut 2. Depressed center wheel 3. Inner flange 4. Mounting part

To tighten the lock nut, press the shaft lock firmly so that the spindle cannot revolve, then use the lock nut wrench and securely tighten clockwise.

► **Fig.6:** 1. Lock nut wrench 2. Shaft lock

To remove the wheel, follow the installation procedure in reverse.

## Installing or removing flex wheel

### Optional accessory

**⚠ WARNING:** Always use supplied guard when flex wheel is on tool. Wheel can shatter during use and guard helps to reduce chances of personal injury.

► **Fig.7:** 1. Lock nut 2. Flex wheel 3. Back up pad 4. Inner flange

Follow instructions for depressed center wheel but also use back up pad over wheel. See order of assembly on accessories page in this manual.

## OPERATION

**⚠ WARNING:** It should never be necessary to force the tool. The weight of the tool applies adequate pressure. Forcing and excessive pressure could cause dangerous wheel breakage.

**⚠ WARNING:** ALWAYS replace wheel if tool is dropped while grinding.

**⚠ WARNING:** NEVER bang or hit grinding disc or wheel onto work.

**⚠ WARNING:** Avoid bouncing and snagging the wheel, especially when working corners, sharp edges etc. This can cause loss of control and kickback.

**⚠ WARNING:** NEVER use tool with wood cutting blades and other saw blades. Such blades when used on a grinder frequently kick and cause loss of control leading to personal injury.

**⚠ WARNING:** Continued use of a worn-out wheel may result in wheel explosion and serious personal injury.

**⚠ CAUTION:** Never switch on the tool when it is in contact with the workpiece, it may cause an injury to operator.

**⚠ CAUTION:** Always wear safety goggles or a face shield during operation.

**⚠ CAUTION:** After operation, always switch off the tool and wait until the wheel has come to a complete stop before putting the tool down.

**⚠ CAUTION:** ALWAYS hold the tool firmly with one hand on housing and the other on the side grip (handle).

## Operation with wheel/disc

► **Fig.8**

Turn the tool on and then apply the wheel or disc to the workpiece.

In general, keep the edge of the wheel or disc at an angle of about 15° to the workpiece surface. During the break-in period with a new wheel, do not work the grinder in forward direction or it may cut into the workpiece. Once the edge of the wheel has been rounded off by use, the wheel may be worked in both forward and backward direction.

## Operation with wire wheel brush

### Optional accessory

**CAUTION:** Check operation of wire wheel brush by running tool with no load, insuring that no one is in front of or in line with the wire wheel brush.

**CAUTION:** Do not use wire wheel brush that is damaged, or which is out of balance. Use of damaged wire wheel brush could increase potential for injury from contact with broken wires.

**CAUTION:** ALWAYS use guard with wire wheel brushes, assuring diameter of wheel fits inside guard. Wheel can shatter during use and guard helps to reduce chances of personal injury.

► Fig.9: 1. Wire wheel brush

Unplug tool and place it upside down allowing easy access to spindle.

Remove any accessories on spindle. Thread wire wheel brush onto spindle and tighten with the wrenches.

**NOTICE:** Avoid applying too much pressure which causes over bending of wires when using wire wheel brush. It may lead to premature breakage.

## Lanyard (tether strap) connection

**SAFETY** Safety warnings specific for use at height. Read all safety warnings and instructions. Failure to follow the warnings and instructions may result in serious injury.

1. Always keep the tool tethered when working "at height". Maximum lanyard length is 2 m. The maximum permissible fall height for lanyard (tether strap) must not exceed 2 m.
2. Use only with lanyards appropriate for this tool type and rated for at least 4.0 kg.
3. Do not anchor the tool lanyard to anything on your body or on movable components. Anchor the tool lanyard to a rigid structure that can withstand the forces of a dropped tool.
4. Make sure the lanyard is properly secured at each end prior to use.
5. Inspect the tool and lanyard before each use for damage and proper function (including fabric and stitching). Do not use if damaged or not functioning properly. The tool must be repaired especially when a crack or a red line appears around the hole for the lanyard.
6. Do not wrap lanyards around or allow them to come in contact with sharp or rough edges.
7. Fasten the other end of the lanyard outside the working area so that a falling tool is held securely.
8. Attach the lanyard so that the tool will move away from the operator if it falls. Dropped tools will swing on the lanyard, which could cause injury or loss of balance.

9. Do not use near moving parts or running machinery. Failure to do so may result in a crush or entanglement hazard.
10. Do not carry the tool by the attachment device or the lanyard.
11. Only transfer the tool between your hands while you are properly balanced.
12. Do not attach lanyards to the tool in a way that keeps guards, switches or lock-offs from operating properly.
13. Avoid getting tangled in the lanyard.
14. Keep lanyard away from the cutting area of the tool.
15. Use a locking carabiner (multi-action and screw gate type). Do not use single action spring clip carabiners.
16. In the event the tool is dropped, it must be tagged and removed from service, and should be inspected by a Makita Factory or Authorized Service Center.
17. Only attach the lanyard with a locking carabiner. Do not attach the lanyard by looping or knotting the lanyard. Do not use ropes or cords.

► Fig.10: 1. Hole for lanyard (tether strap)

## MAINTENANCE

**CAUTION:** Always be sure that the tool is switched off and unplugged before attempting to perform inspection or maintenance.

**NOTICE:** Never use gasoline, benzine, thinner, alcohol or the like. Discoloration, deformation or cracks may result.

To maintain product SAFETY and RELIABILITY, repairs, any other maintenance or adjustment should be performed by Makita Authorized or Factory Service Centers, always using Makita replacement parts.

### Air vent cleaning

The tool and its air vents have to be kept clean. Regularly clean the tool's air vents or whenever the vents start to become obstructed.

► Fig.11: 1. Exhaust vent 2. Inhalation vent

# OPTIONAL ACCESSORIES

**⚠ CAUTION:** These accessories or attachments are recommended for use with your Makita tool specified in this manual. The use of any other accessories or attachments might present a risk of injury to persons. Only use accessory or attachment for its stated purpose.

If you need any assistance for more details regarding these accessories, ask your local Makita Service Center.

► Fig.12

-	100 mm (4") model	115 mm (4-1/2") model	125 mm (5") model
1	Side grip		
2	Inner flange	Inner flange / Super flange	
3	Depressed center wheel / Flap disc		
4	Lock nut		
5	Back up pad		
6	Flex wheel		
7	Wire wheel brush		
-	Lock nut wrench		
-	Dust cover attachment		

**NOTE:** Some items in the list may be included in the tool package as standard accessories. They may differ from country to country.

## SPÉCIFICATIONS

Modèle :	GA4051R	GA4551R	GA5051R
Diamètre de meule	100 mm (4")	115 mm (4-1/2")	125 mm (5")
Épaisseur max. de la meule	6,4 mm (1/4")	7,2 mm (9/32")	
Filetage de l'axe	M10	M14 ou 5/8"	
Vitesse nominale (n)	11 000 min <sup>-1</sup>		
Longueur totale	325 mm		
Poids net	2,3 - 2,5 kg	2,5 - 2,7 kg	
Catégorie de sécurité	□/II		

- Étant donné l'évolution constante de notre programme de recherche et de développement, les spécifications contenues dans ce manuel sont sujettes à modification sans préavis.
- Les spécifications peuvent varier suivant les pays.
- Le poids peut être différent selon les accessoires. Les associations la plus légère et la plus lourde, conformément à la procédure EPTA 01/2014, sont indiquées dans le tableau.

## Utilisations

L'outil est conçu pour le meulage sans utiliser d'eau.

## Alimentation

L'outil ne devra être raccordé qu'à une alimentation de la même tension que celle qui figure sur la plaque signalétique, et il ne pourra fonctionner que sur un courant secteur monophasé. Réalisé avec une double isolation, il peut de ce fait être alimenté par une prise sans mise à la terre.

## Bruit

Niveau de bruit pondéré A typique, déterminé selon EN60745-2-3 :

Modèle	Niveau de pression sonore ( $L_{pA}$ ) : (dB (A))	Niveau de puissance sonore ( $L_{WA}$ ) : (dB (A))	Incertitude (K) : (dB (A))
GA4051R	91	102	3
GA4551R	91	102	3
GA5051R	91	102	3

**NOTE** : La ou les valeurs d'émission de bruit déclarées ont été mesurées conformément à la méthode de test standard et peuvent être utilisées pour comparer les outils entre eux.

**NOTE** : La ou les valeurs d'émission de bruit déclarées peuvent aussi être utilisées pour l'évaluation préliminaire de l'exposition.

**⚠ AVERTISSEMENT** : Portez un serre-tête antibruit.

**⚠ AVERTISSEMENT** : L'émission de bruit lors de l'usage réel de l'outil électrique peut être différente de la ou des valeurs déclarées, suivant la façon dont l'outil est utilisé, particulièrement selon le type de pièce usinée.

**⚠ AVERTISSEMENT** : Les mesures de sécurité à prendre pour protéger l'utilisateur doivent être basées sur une estimation de l'exposition dans des conditions réelles d'utilisation (en tenant compte de toutes les composantes du cycle d'utilisation, comme par exemple le moment de sa mise hors tension, lorsqu'il tourne à vide et le moment de son déclenchement).

## Vibrations

Valeur totale de vibrations (somme de vecteur triaxial) déterminée selon EN60745-2-3 :

**Mode de travail : meulage de surfaces avec poignée latérale normale**

Modèle	Émission de vibrations ( $a_{h, A0}$ ) : (m/s <sup>2</sup> )	Incertitude (K) : (m/s <sup>2</sup> )
GA4051R	6,5	1,5
GA4551R	7,0	1,5
GA5051R	7,5	1,5



## Mode de travail : meulage de surfaces avec poignée latérale anti-vibration

Modèle	Émission de vibrations ( $a_{h,AG}$ ) : (m/s <sup>2</sup> )	Incertitude (K) : (m/s <sup>2</sup> )
GA4051R	5,5	1,5
GA4551R	7,0	1,5
GA5051R	8,5	1,5

## Mode de travail : ponçage au disque avec poignée latérale normale

Modèle	Émission de vibrations ( $a_{h,AG}$ ) : (m/s <sup>2</sup> )	Incertitude (K) : (m/s <sup>2</sup> )
GA4051R	2,5 m/s <sup>2</sup> ou moins	1,5
GA4551R	2,5	1,5
GA5051R	2,5 m/s <sup>2</sup> ou moins	1,5

## Mode de travail : ponçage au disque avec poignée latérale anti-vibration

Modèle	Émission de vibrations ( $a_{h,AG}$ ) : (m/s <sup>2</sup> )	Incertitude (K) : (m/s <sup>2</sup> )
GA4051R	2,5 m/s <sup>2</sup> ou moins	1,5
GA4551R	2,5 m/s <sup>2</sup> ou moins	1,5
GA5051R	2,5 m/s <sup>2</sup> ou moins	1,5

**NOTE** : La ou les valeurs de vibration totales déclarées ont été mesurées conformément à la méthode de test standard et peuvent être utilisées pour comparer les outils entre eux.

**NOTE** : La ou les valeurs de vibration totales déclarées peuvent aussi être utilisées pour l'évaluation préliminaire de l'exposition.

**⚠ AVERTISSEMENT** : L'émission de vibrations lors de l'usage réel de l'outil électrique peut être différente de la ou des valeurs déclarées, suivant la façon dont l'outil est utilisé, particulièrement selon le type de pièce usinée.

**⚠ AVERTISSEMENT** : Les mesures de sécurité à prendre pour protéger l'utilisateur doivent être basées sur une estimation de l'exposition dans des conditions réelles d'utilisation (en tenant compte de toutes les composantes du cycle d'utilisation, comme par exemple le moment de sa mise hors tension, lorsqu'il tourne à vide et le moment de son déclenchement).

**⚠ AVERTISSEMENT** : La valeur d'émission de vibrations déclarée est utilisée pour les applications principales de l'outil électrique. Toutefois si l'outil électrique est utilisé pour d'autres applications, la valeur d'émission de vibrations peut être différente.

## Déclaration de conformité CE

### Pour les pays européens uniquement

La déclaration de conformité CE est fournie en Annexe A à ce mode d'emploi.

## Consignes de sécurité pour meuleuse

### Consignes de sécurité communes aux opérations de meulage et de brossage métallique :

1. **Cet outil électrique est conçu pour le meulage et le brossage métallique. Veuillez lire les consignes de sécurité, instructions, illustrations et spécifications qui accompagnent cet outil électrique.** Le non-respect de toutes les instructions indiquées ci-dessous peut entraîner une électrocution, un incendie et/ou de graves blessures.
2. **Il n'est pas recommandé de polir, de poncer ou de tronçonner avec cet outil électrique.** Il y a risque de danger et de blessure si l'outil électrique est utilisé pour exécuter des travaux pour lesquels il n'a pas été conçu.
3. **N'utilisez pas d'accessoires qui n'ont pas été conçus spécifiquement et recommandés par le fabricant de l'outil.** Même si un accessoire peut être fixé sur l'outil électrique, cela ne garantit pas qu'il fonctionnera de manière sûre.
4. **La vitesse nominale de l'accessoire doit être au moins égale à la vitesse maximum inscrite sur l'outil électrique.** Les accessoires tournant plus vite que leur vitesse nominale peuvent se casser et voler en éclats.
5. **Le diamètre extérieur et l'épaisseur de l'accessoire ne doivent pas dépasser la capacité nominale de l'outil électrique.** Les accessoires de taille incorrecte ne peuvent être protégés ou contrôlés adéquatement.

## CONSIGNES DE SÉCURITÉ

### Consignes de sécurité générales pour outils électriques

**⚠ AVERTISSEMENT** : Veuillez lire les consignes de sécurité, instructions, illustrations et spécifications qui accompagnent cet outil électrique. Le non-respect de toutes les instructions indiquées ci-dessous peut entraîner une électrocution, un incendie et/ou de graves blessures.

## Conservez toutes les mises en garde et instructions pour référence ultérieure.

Le terme « outil électrique » dans les avertissements fait référence à l'outil électrique alimenté par le secteur (avec cordon d'alimentation) ou à l'outil électrique fonctionnant sur batterie (sans cordon d'alimentation).

6. **Le filetage des accessoires à monter doit correspondre à celui de l'axe de la meuleuse. Pour les accessoires montés à l'aide de flasques, la taille de l'alésage de l'accessoire doit correspondre au diamètre du flasque.**  
Les accessoires qui ne sont pas bien adaptés à la taille de la pièce où ils sont montés sur l'outil électrique se déséquilibreront, vibreront trop et pourront entraîner une perte de maîtrise de l'outil.
7. **N'utilisez jamais un accessoire endommagé. Avant chaque utilisation, assurez-vous que l'accessoire comme la brosse métallique est exempt de fils métalliques lâches ou cassés. Si vous lâchez l'outil électrique ou un accessoire, assurez-vous qu'il n'est pas endommagé ou bien remplacez l'accessoire endommagé. Après avoir vérifié et posé un accessoire, assurez-vous que personne, y compris vous-même, ne se trouve dans la trajectoire de l'accessoire en rotation et faites tourner l'outil électrique à vitesse à vide maximale pendant une minute.**  
Les accessoires endommagés se brisent généralement au cours de cette période d'essai.
8. **Portez un équipement de protection individuelle. Suivant le type de travail à effectuer, utilisez un écran facial, des lunettes à coques ou des lunettes de sécurité. Si nécessaire, portez un masque anti-poussière, des protège-tympans, des gants et un tablier de travail pouvant arrêter les particules abrasives ou les fragments de pièce.** La protection oculaire doit pouvoir arrêter les débris volants produits par les diverses opérations. Le masque anti-poussières ou le masque filtrant doit pouvoir filtrer les particules générées lors des travaux. Une exposition prolongée à un bruit d'intensité élevée peut entraîner une perte auditive.
9. **Assurez-vous que les passants demeurent à une distance sûre de la zone de travail. Toute personne pénétrant dans la zone de travail doit porter un équipement de protection individuelle.** Des fragments de pièce ou un accessoire cassé peuvent être éjectés et blesser les personnes au-delà de la zone immédiate de travail.
10. **Tenez l'outil électrique par une surface de prise isolée uniquement, lorsque vous effectuez une tâche où l'accessoire de coupe pourrait toucher un câblage caché ou son propre cordon d'alimentation.** Le contact de l'accessoire de coupe avec un fil sous tension peut transmettre du courant dans les pièces métalliques exposées de l'outil électrique et électrocouter l'utilisateur.
11. **Placez le cordon à l'écart de l'accessoire en rotation.** En cas de perte de maîtrise, vous risquez, en coupant ou en accrochant le cordon, d'avoir la main ou le bras attiré vers l'accessoire en rotation.
12. **Ne déposez jamais l'outil électrique avant que l'accessoire ne se soit parfaitement arrêté.** L'accessoire en rotation peut accrocher la surface et projeter l'outil électrique de telle sorte que vous en perdiez la maîtrise.
13. **Ne transportez pas l'outil électrique tout en le laissant tourner.** En cas de contact accidentel avec l'accessoire en rotation, ce dernier risque d'accrocher vos vêtements et d'être entraîné vers votre corps.
14. **Nettoyez régulièrement les orifices d'aération de l'outil électrique.** Le ventilateur du moteur aspire la poussière à l'intérieur du carter, ce qui présente un danger électrique en cas d'accumulation excessive de poussières métalliques.
15. **N'utilisez pas l'outil électrique près de matériaux inflammables.** Les étincelles risqueraient d'enflammer ces matériaux.
16. **N'utilisez pas d'accessoires nécessitant un liquide de refroidissement.** L'utilisation d'eau ou d'un liquide de refroidissement comporte un risque d'électrocution ou de choc électrique.

#### Mises en garde concernant le choc en retour et autres dangers

Le choc en retour est une réaction soudaine qui survient lorsque la meule, la semelle, la brosse ou un autre accessoire en rotation se coince ou accroche. Lorsque l'accessoire en rotation se coince ou accroche, il s'arrête soudainement et l'utilisateur perd alors la maîtrise de l'outil électrique projeté dans le sens contraire de sa rotation au point où il se coince dans la pièce.

Par exemple, si une meule abrasive accroche ou se coince dans la pièce, son tranchant introduit au point de pincement risque d'y creuser la surface du matériau, entraînant la sortie ou le déchaussement de la meule. La meule peut alors dévier de sa trajectoire, vers l'utilisateur ou dans le sens opposé, selon la direction du mouvement de la meule au point de pincement. Dans ces conditions, la meule abrasive risque également de se briser.

Le choc en retour est le résultat d'une utilisation incorrecte de l'outil électrique et/ou de l'inobservation des procédures ou conditions d'utilisation. Il peut être évité en prenant les précautions adéquates indiquées ci-dessous.

1. **Maintenez une poigne ferme sur l'outil électrique et placez corps et bras de façon à pouvoir résister à la force exercée par les chocs en retour. Utilisez toujours la poignée auxiliaire, s'il y en a une, pour avoir une maîtrise maximale de l'outil en cas de choc en retour ou de force de réaction exercée au moment du démarrage.** L'utilisateur peut maîtriser les forces de réaction ou de choc en retour s'il prend les précautions adéquates.
2. **Ne placez jamais la main près d'un accessoire en rotation.** L'accessoire risquerait de passer sur votre main en cas de choc en retour.
3. **Ne vous placez pas dans la zone vers laquelle l'outil électrique se déplacera en cas de choc en retour.** Le choc en retour projetera l'outil dans le sens opposé au mouvement de la meule au point où elle accroche dans la pièce.
4. **Soyez tout particulièrement prudent lorsque vous travaillez sur les coins, les arêtes vives, etc. Évitez de laisser l'accessoire sautiller ou accrocher.** L'accessoire en rotation a tendance à accrocher dans les coins, sur les arêtes vives ou lorsqu'il sautille, ce qui comporte un risque de perte de maîtrise ou de choc en retour.
5. **Ne fixez pas une chaîne de coupe, une lame à sculpter le bois ou une lame de scie dentée.** De telles lames causent fréquemment des chocs en retour et des pertes de maîtrise.

## Consignes de sécurité propres aux opérations de meulage :

1. **Utilisez exclusivement les types de meule recommandés pour votre outil électrique, et le carter de protection conçu spécifiquement pour la meule sélectionnée.** Les meules pour lesquelles l'outil électrique n'a pas été conçu ne pourront pas être protégées correctement et se révéleront dangereuses.
2. **La surface de meulage des meules à moyeu déporté doit être montée sous le plan de la lèvre du carter de protection.** Si la meule n'est pas bien montée et dépasse le plan de la lèvre du carter de protection, celui-ci ne pourra pas assurer une protection adéquate.
3. **Le carter de protection doit être solidement fixé à l'outil électrique et placé de façon à assurer une sécurité maximale en ne laissant qu'une partie minimale de la meule exposée du côté de l'utilisateur.** Le carter de protection permet de protéger l'utilisateur des éclats de meule brisée, d'un contact accidentel avec la meule et des étincelles qui pourraient enflammer ses vêtements.
4. **Les meules ne doivent être utilisées que pour les applications recommandées.**
5. **Utilisez toujours des flasques pour meule en bon état, dont la taille et la forme correspondent à la meule sélectionnée.** Des flasques pour meule adéquats soutiennent la meule et réduisent ainsi les risques de rupture de la meule.
6. **N'utilisez pas de meules usées provenant d'outils électriques plus grands.** Les meules conçues pour des outils électriques plus grands ne conviennent pas à la vitesse supérieure d'un outil plus petit et risquent d'éclater.

## Consignes de sécurité spécifiques aux travaux de broissage métallique :

1. **N'oubliez pas que des fils métalliques se détachent de la brosse même lors de travaux ordinaires. Ne soumettez pas les fils métalliques à une surcharge en appliquant une pression excessive sur la brosse.** Les fils métalliques pénètrent facilement dans les vêtements légers et/ou dans la peau.
2. **Si l'utilisation d'un carter de protection est recommandée pour le broissage métallique, assurez-vous que la meule ou brosse métallique ne gêne pas le carter de protection.** Selon la charge de travail et l'intensité de la force centrifuge, le diamètre de la meule ou brosse métallique peut augmenter.

## Consignes de sécurité supplémentaires :

1. **Lors de l'utilisation des meules ordinaires à moyeu déporté, assurez-vous d'utiliser exclusivement des meules renforcées de fibre de verre.**
2. **N'UTILISEZ JAMAIS une meule boisseau pour pierre avec cette meuleuse.** Cette meuleuse n'est pas conçue pour ces types de meule, et leur utilisation peut entraîner de graves blessures.
3. **Prenez garde de ne pas endommager l'axe, le flasque (tout particulièrement la surface d'installation) ou le contre-écrou.** La meule risque de casser si ces pièces sont endommagées.

4. **Assurez-vous que la meule n'entre pas en contact avec la pièce avant de mettre l'outil sous tension.**
5. **Avant d'utiliser l'outil sur une pièce, faites-le tourner un instant à vide.** Soyez attentif aux vibrations ou sautillements pouvant indiquer que la meule n'est pas bien posée ou qu'elle est mal équilibrée.
6. **Utilisez la surface spécifiée de la meule pour meuler.**
7. **N'abandonnez pas l'outil alors qu'il tourne. Ne faites fonctionner l'outil qu'une fois que vous l'avez bien en main.**
8. **Ne touchez pas la pièce immédiatement après avoir terminé le travail ; elle peut être très chaude et vous brûler la peau.**
9. **Ne touchez pas les accessoires immédiatement après avoir terminé le travail ; ils peuvent être très chauds et vous brûler la peau.**
10. **Suivez les instructions du fabricant pour un montage adéquat et une utilisation appropriée des meules.** Manipulez et rangez les meules soigneusement.
11. **N'utilisez pas de bagues de réduction ou d'adaptateurs vendus dans le commerce pour adapter des meules abrasives dont l'orifice central est grand.**
12. **N'utilisez que les flasques spécifiés pour cet outil.**
13. **Pour les outils destinés à être équipés d'une meule à orifice fileté, assurez-vous que le filetage dans la meule est suffisamment long pour accueillir la longueur de l'axe.**
14. **Assurez-vous que la pièce à travailler est correctement soutenue.**
15. **N'oubliez pas que la meule continue de tourner une fois l'outil éteint.**
16. **Si le lieu de travail est extrêmement chaud et humide, ou fortement pollué de poussières conductrices, utilisez un disjoncteur (30 mA) pour assurer la sécurité de l'utilisateur.**
17. **N'utilisez l'outil avec aucun matériau contenant de l'amiante.**
18. **N'utilisez pas de gants de travail en tissu pendant la tâche.** Les fibres des gants en tissu peuvent pénétrer dans l'outil et le casser.

## CONSERVEZ CES INSTRUCTIONS.

**⚠️ AVERTISSEMENT : NE vous laissez PAS tromper (au fil d'une utilisation répétée) par un sentiment d'aisance et de familiarité avec le produit, en négligeant le respect rigoureux des consignes de sécurité qui accompagnent le produit en question. La MAUVAISE UTILISATION de l'outil ou l'ignorance des consignes de sécurité indiquées dans ce mode d'emploi peut entraîner de graves blessures.**

## DESCRIPTION DU FONCTIONNEMENT

**ATTENTION** : Assurez-vous toujours que l'outil est hors tension et débranché avant de l'ajuster ou de vérifier son fonctionnement.

### Verrouillage de l'arbre

Avant de poser ou de retirer des accessoires, appuyez sur le verrouillage de l'arbre pour empêcher l'axe de tourner.

► Fig.1: 1. Verrouillage de l'arbre

**REMARQUE** : N'activez jamais le verrouillage de l'arbre pendant que l'axe tourne. Vous risqueriez d'abîmer l'outil.

### Interrupteur

**ATTENTION** : Avant de brancher l'outil, assurez-vous toujours que la gâchette fonctionne correctement et revient en position d'arrêt une fois relâchée.

**ATTENTION** : Ne tirez pas sur la gâchette allongée en forçant sans appuyer sur le bouton de sécurité. La gâchette pourrait casser.

Un levier de sécurité est fourni pour prévenir l'enclenchement accidentel de la gâchette allongée. Pour démarrer l'outil, tirez le levier de sécurité vers vous, puis enclenchez la gâchette allongée. Pour arrêter l'outil, relâchez la gâchette allongée.

► Fig.2: 1. Levier de sécurité 2. Gâchette allongée

### Protection contre le redémarrage accidentel

Même branché, l'outil ne démarre pas alors que vous enclenchez la gâchette allongée. Pour démarrer l'outil, relâchez d'abord la gâchette allongée. Tirez ensuite sur le levier de sécurité et enclenchez la gâchette allongée.

**NOTE** : Patientez plus d'une seconde avant de redémarrer l'outil si la protection contre le redémarrage accidentel est activée.

### Fonction de démarrage en douceur

La fonction de démarrage en douceur réduit le choc de démarrage.

## ASSEMBLAGE

**ATTENTION** : Avant d'effectuer toute intervention sur l'outil, assurez-vous toujours qu'il est hors tension et débranché.

### Pose de la poignée latérale

**ATTENTION** : Avant l'utilisation, assurez-vous toujours que la poignée latérale est fermement posée.

Vissez fermement la poignée latérale sur la position de l'outil comme indiqué sur la figure.

► Fig.3

## Angle de réglage du carter de meule

**AVERTISSEMENT** : Assurez-vous que le carter de meule est solidement verrouillé par le levier de verrouillage via l'un des orifices sur le carter de meule.

Il est possible de régler l'angle du carter de meule. Tout en poussant le levier de verrouillage, faites tourner le carter de meule dans le sens B, puis changez l'angle du carter de meule selon la tâche en vue de protéger l'utilisateur. Alignez le levier de verrouillage sur l'un des trous dans le carter de meule, puis relâchez le levier de verrouillage pour verrouiller le carter de meule.

► Fig.4: 1. Carter de meule 2. Orifice

## Pose ou retrait de la meule à moyeu déporté ou du disque à lamelles

### Accessoire en option

**AVERTISSEMENT** : Pour l'utilisation d'une meule à moyeu déporté ou d'un disque à lamelles, le carter de meule doit être posé sur l'outil de manière à toujours se refermer du côté de l'utilisateur.

**ATTENTION** : Assurez-vous que la pièce de fixation du flasque intérieur s'engage parfaitement dans le diamètre interne de la meule à moyeu déporté ou du disque à lamelles. La fixation du flasque intérieur du mauvais côté peut provoquer des vibrations dangereuses.

Montez le flasque intérieur sur l'axe. Assurez-vous d'insérer la partie dentelée du flasque intérieur dans la partie droite au bas de l'axe.

Placez la meule à moyeu déporté ou le disque à lamelles sur le flasque intérieur, et vissez le contre-écrou sur l'axe.

► Fig.5: 1. Contre-écrou 2. Meule à moyeu déporté 3. Flasque intérieur 4. Pièce de fixation

Pour serrer le contre-écrou, appuyez fermement sur le verrouillage de l'arbre pour empêcher l'axe de tourner, et serrez fermement à l'aide de la clé à contre-écrou en tournant dans le sens des aiguilles d'une montre.

► Fig.6: 1. Clé à contre-écrou 2. Verrouillage de l'arbre

Pour retirer la meule, effectuez la procédure de pose dans l'ordre inverse.

## Pose ou dépose de la meule flexible

### Accessoire en option

**AVERTISSEMENT** : Lorsque la meule flexible est posée sur l'outil, utilisez toujours le carter de protection fourni. La meule peut se briser en éclats pendant l'utilisation ; le cas échéant, le carter contribue à réduire les risques de blessure.

► Fig.7: 1. Contre-écrou 2. Meule flexible 3. Semelle 4. Flasque intérieur

Suivez les instructions pour la meule à moyeu déporté, mais posez également la semelle sur la meule. Pour l'ordre d'assemblage, reportez-vous à la page des accessoires dans le présent manuel.

## UTILISATION

**⚠️ AVERTISSEMENT :** Il n'est jamais nécessaire de forcer l'outil. Le poids de l'outil suffit pour appliquer une pression adéquate. En forçant l'outil ou en appliquant une pression excessive, vous risquez de provoquer un dangereux éclatement de la meule.

**⚠️ AVERTISSEMENT :** Remplacez TOUJOURS la meule si vous laissez tomber l'outil en meulant.

**⚠️ AVERTISSEMENT :** Ne frappez ni ne heurtez JAMAIS le disque ou la meule contre la pièce à travailler.

**⚠️ AVERTISSEMENT :** Évitez de laisser la meule sautiller ou accrocher, tout spécialement lorsque vous travaillez dans des coins, sur des angles vifs, etc. Il y a risque de perte de contrôle de l'outil et de choc en retour.

**⚠️ AVERTISSEMENT :** N'utilisez JAMAIS l'outil avec des lames à bois et autres lames de scie. Utilisées sur une meuleuse, ces lames reculent souvent et causent une perte de contrôle, ce qui comporte un risque de blessure.

**⚠️ AVERTISSEMENT :** Continuer à utiliser une meule usée peut entraîner l'explosion de la meule et provoquer de graves blessures corporelles.

**⚠️ ATTENTION :** Ne faites jamais démarrer l'outil alors qu'il touche la pièce à travailler ; il y a risque de blessure pour l'utilisateur.

**⚠️ ATTENTION :** Portez toujours des lunettes à coques ou un écran facial pendant l'utilisation.

**⚠️ ATTENTION :** Une fois le travail terminé, mettez toujours l'outil hors tension et attendez l'arrêt complet de la meule avant de déposer l'outil.

**⚠️ ATTENTION :** Tenez TOUJOURS l'outil fermement, avec une main sur le carter de l'outil et l'autre main sur la poignée latérale (poignée).

## Utilisation avec la meule ou le disque

► Fig.8

Faites démarrer l'outil, puis appliquez la meule ou le disque sur la pièce à travailler.

En général, maintenez le bord de la meule ou du disque à un angle d'environ 15° par rapport à la surface de la pièce à travailler.

Pendant la période de rodage d'une meule neuve, ne faites pas avancer la meuleuse dans le sens avant sous peine de couper la pièce à travailler. Une fois le bord de la meule rodé, la meule peut être utilisée dans les sens avant et arrière.

## Utilisation avec la brosse métallique circulaire

Accessoire en option

**⚠️ ATTENTION :** Vérifiez le fonctionnement de la brosse métallique circulaire en faisant tourner l'outil à vide, après vous être assuré que personne ne se trouve devant ou dans la trajectoire de la brosse métallique circulaire.

**⚠️ ATTENTION :** N'utilisez pas la brosse métallique circulaire si elle est abîmée ou déséquilibrée. L'utilisation d'une brosse métallique circulaire abîmée augmente le risque de blessure au contact des fils métalliques cassés de la brosse.

**⚠️ ATTENTION :** Utilisez TOUJOURS le carter de protection avec les brosses métalliques circulaires, en vous assurant que le diamètre de la meule tient dans le carter de protection. La brosse peut se briser en éclats pendant l'utilisation ; le cas échéant, le carter contribue à réduire les risques de blessure.

► Fig.9: 1. Brosse métallique circulaire

Débranchez l'outil et retournez-le pour accéder facilement à l'axe. Retirez tout accessoire présent sur l'axe. Vissez la brosse métallique circulaire sur l'axe et serrez-la à l'aide des clés.

**REMARQUE :** Évitez d'appliquer une pression excessive pour éviter de trop courber les fils lors de l'utilisation de la brosse métallique circulaire. Ce qui pourrait provoquer leur usure prématurée.

## Raccordement de la longe (sangle de retenue)

**⚠️ Consignes de sécurité spécifiques à l'utilisation en hauteur**

Lisez toutes les consignes de sécurité et instructions. Le non-respect des avertissements et instructions peut entraîner de graves blessures.

1. L'outil doit toujours être attaché lorsque vous travaillez en hauteur. La longueur maximum de la longe est de 2 m. La hauteur de chute maximale autorisée pour la longe (sangle de retenue) ne doit pas dépasser 2 m.
2. Utilisez uniquement des longes convenant à ce type d'outil et conçues pour supporter au moins 4,0 kg.
3. N'accrochez pas la longe de l'outil à quoi que ce soit sur votre corps ou à des éléments mobiles. Accrochez la longe de l'outil à une structure rigide capable de supporter la force exercée par la chute d'un outil.
4. Assurez-vous que la longe est correctement fixée à chaque extrémité avant utilisation.
5. Vérifiez que l'outil et la longe ne sont pas endommagés et fonctionnent correctement avant chaque utilisation (y compris le tissu et les coutures). Ne les utilisez pas s'ils sont endommagés ou fonctionnent mal. L'outil doit être réparé en particulier lorsqu'une fissure ou une ligne rouge apparaît autour de l'orifice pour la longe.

6. N'enroulez pas les longues autour de bords rugueux ou coupants, ni ne les laissez entrer en contact avec des bords rugueux ou coupants.
7. Serrez l'autre extrémité de la longe en dehors de l'espace de travail de sorte qu'un outil tombant soit retenu en sécurité.
8. Fixez la longe de sorte que l'outil s'éloigne de l'utilisateur en cas de chute. Les outils tombés se balanceront sur la longe, ce qui pourrait provoquer des blessures ou une perte d'équilibre.
9. Ne les utilisez pas à proximité de pièces en mouvement ou de machines en fonctionnement. Le non-respect de cette précaution présente un risque d'écrasement ou d'enchevêtrement.
10. Ne transportez pas l'outil en le tenant par le dispositif de fixation ou la longe.
11. Faites passer l'outil d'une main à l'autre uniquement si vous avez un bon équilibre.
12. Ne fixez pas les longues à l'outil d'une manière qui empêche les carters de protection, les commutateurs ou les verrouillages de fonctionner correctement.
13. Évitez de vous empêtrer dans la longe.
14. Éloignez la longe de la zone de coupe de l'outil.
15. Utilisez un mousqueton à verrouillage (bague vissée et à ouverture multi-action(s)). N'utilisez pas de mousquetons à ressort à ouverture action unique.
16. Si l'outil tombe, il doit être marqué et mis hors service, puis être confié à une usine Makita ou à un centre de service après-vente Makita agréé pour inspection.
17. Attachez uniquement la longe avec un mousqueton à verrouillage. N'attachez pas la longe en faisant une boucle ou un nœud. N'utilisez pas de cordes.

► Fig.10: 1. Orifice pour la longe (sangle de retenue)

## ENTRETIEN

**ATTENTION** : Assurez-vous toujours que l'outil est hors tension et débranché avant d'y effectuer tout travail d'inspection ou d'entretien.

**REMARQUE** : N'utilisez jamais d'essence, benzine, diluant, alcool ou autre produit similaire. Cela risquerait de provoquer la décoloration, la déformation ou la fissuration de l'outil.

Pour assurer la SÉCURITÉ et la FIABILITÉ du produit, toute réparation, tout travail d'entretien ou de réglage doivent être effectués par un centre d'entretien Makita agréé, avec des pièces de rechange Makita.

## Nettoyage des orifices d'aération

L'outil et ses orifices d'aération doivent être conservés propres. Nettoyez régulièrement les orifices d'aération de l'outil ou dès qu'ils sont obstrués.

► Fig.11: 1. Orifice de sortie d'air 2. Orifice d'entrée d'air

## ACCESSOIRES EN OPTION

**ATTENTION** : Ces accessoires ou pièces complémentaires sont recommandés pour l'utilisation avec l'outil Makita spécifié dans ce mode d'emploi. L'utilisation de tout autre accessoire ou pièce complémentaire peut comporter un risque de blessure. N'utilisez les accessoires ou pièces complémentaires qu'aux fins auxquelles ils ont été conçus.

Pour obtenir plus de détails sur ces accessoires, contactez votre centre d'entretien local Makita.

► Fig.12

	Modèle 100 mm	Modèle 115 mm	Modèle 125 mm
1		Poignée latérale	
2	Flasque intérieur	Flasque intérieur/Super flasque	
3		Meule à moyeu déporté/Disque à lamelles	
4		Contre-écrou	
5		Semelle	
6		Meule flexible	
7		Brosse métallique circulaire	
-		Clé à contre-écrou	
-		Accessoire pare-poussière	

**NOTE** : Il se peut que certains éléments de la liste soient compris dans l'emballage de l'outil en tant qu'accessoires standard. Ils peuvent varier d'un pays à l'autre.



## TECHNISCHE DATEN

Modell:	GA4051R	GA4551R	GA5051R
Scheibendurchmesser	100 mm (4")	115 mm (4-1/2")	125 mm (5")
Max. Scheibendicke	6,4 mm (1/4")	7,2 mm (9/32")	
Spindelgewinde	M10	M14 oder 5/8"	
Nenn Drehzahl (n)	11.000 min <sup>-1</sup>		
Gesamtlänge	325 mm		
Nettogewicht	2,3 - 2,5 kg	2,5 - 2,7 kg	
Sicherheitsklasse	□/II		

- Wir behalten uns vor, Änderungen der technischen Daten im Zuge der Entwicklung und des technischen Fortschritts ohne vorherige Ankündigung vorzunehmen.
- Die technischen Daten können von Land zu Land unterschiedlich sein.
- Das Gewicht kann abhängig von den Aufsätzen unterschiedlich sein. Die leichteste und die schwerste Kombination, gemäß dem EPTA-Verfahren 01/2014, sind in der Tabelle angegeben.

### Vorgesehene Verwendung

Das Werkzeug ist zum Schleifen ohne Wasser vorgesehen.

### Stromversorgung

Das Werkzeug sollte nur an eine Stromquelle angeschlossen werden, deren Spannung mit der Angabe auf dem Typenschild übereinstimmt, und kann nur mit Einphasen-Wechselstrom betrieben werden. Diese sind doppelt schutzisoliert und können daher auch an Steckdosen ohne Erdleiter verwendet werden.

### Geräusch

Typischer A-bewerteter Geräuschpegel ermittelt gemäß EN60745-2-3:

Modell	Schalldruckpegel (L <sub>PA</sub> ): (dB (A))	Schallleistungspegel (L <sub>WA</sub> ): (dB (A))	Messunsicherheit (K): (dB (A))
GA4051R	91	102	3
GA4551R	91	102	3
GA5051R	91	102	3

**HINWEIS:** Der (Die) angegebene(n) Schallemissionswert(e) wurde(n) im Einklang mit der Standardprüfmethode gemessen und kann (können) für den Vergleich zwischen Werkzeugen herangezogen werden.

**HINWEIS:** Der (Die) angegebene(n) Schallemissionswert(e) kann (können) auch für eine Vorbewertung des Gefährdungsgrads verwendet werden.

**⚠️ WARNUNG:** Einen Gehörschutz tragen.

**⚠️ WARNUNG:** Die Schallemission während der tatsächlichen Benutzung des Elektrowerkzeugs kann je nach der Benutzungsweise des Werkzeugs, und speziell je nach der Art des bearbeiteten Werkstücks, von dem (den) angegebenen Wert(en) abweichen.

**⚠️ WARNUNG:** Identifizieren Sie Sicherheitsmaßnahmen zum Schutz des Benutzers anhand einer Schätzung des Gefährdungsgrads unter den tatsächlichen Benutzungsbedingungen (unter Berücksichtigung aller Phasen des Arbeitszyklus, wie z. B. Ausschalt- und Leerlaufzeiten des Werkzeugs zusätzlich zur Betriebszeit).

## Schwingungen

Schwingungsgesamtwert (Drei-Achsen-Vektorsumme) ermittelt gemäß EN60745-2-3:

### Arbeitsmodus: Oberflächenschleifen mit normalem Seitengriff

Modell	Vibrationsemission ( $a_{h, AG}$ ): ( $m/s^2$ )	Messunsicherheit (K): ( $m/s^2$ )
GA4051R	6,5	1,5
GA4551R	7,0	1,5
GA5051R	7,5	1,5

### Arbeitsmodus: Oberflächenschleifen mit vibrationsfestem Seitengriff

Modell	Vibrationsemission ( $a_{h, AG}$ ): ( $m/s^2$ )	Messunsicherheit (K): ( $m/s^2$ )
GA4051R	5,5	1,5
GA4551R	7,0	1,5
GA5051R	8,5	1,5

### Arbeitsmodus: Scheibenschleifen mit normalem Seitengriff

Modell	Vibrationsemission ( $a_{h, AG}$ ): ( $m/s^2$ )	Messunsicherheit (K): ( $m/s^2$ )
GA4051R	2,5 $m/s^2$ oder weniger	1,5
GA4551R	2,5	1,5
GA5051R	2,5 $m/s^2$ oder weniger	1,5

### Arbeitsmodus: Scheibenschleifen mit vibrationsfestem Seitengriff

Modell	Vibrationsemission ( $a_{h, AG}$ ): ( $m/s^2$ )	Messunsicherheit (K): ( $m/s^2$ )
GA4051R	2,5 $m/s^2$ oder weniger	1,5
GA4551R	2,5 $m/s^2$ oder weniger	1,5
GA5051R	2,5 $m/s^2$ oder weniger	1,5

**HINWEIS:** Der (Die) angegebene(n) Vibrationsgesamtwert(e) wurde(n) im Einklang mit der Standardprüfmethode gemessen und kann (können) für den Vergleich zwischen Werkzeugen herangezogen werden.

**HINWEIS:** Der (Die) angegebene(n) Vibrationsgesamtwert(e) kann (können) auch für eine Vorbewertung des Gefährdungsgrads verwendet werden.

**⚠️ WARNUNG:** Die Vibrationsemission während der tatsächlichen Benutzung des Elektrowerkzeugs kann je nach der Benutzungsweise des Werkzeugs, und speziell je nach der Art des bearbeiteten Werkstücks, von dem (den) angegebenen Emissionswert(en) abweichen.

**⚠️ WARNUNG:** Identifizieren Sie Sicherheitsmaßnahmen zum Schutz des Benutzers anhand einer Schätzung des Gefährdungsgrads unter den tatsächlichen Benutzungsbedingungen (unter Berücksichtigung aller Phasen des Arbeitszyklus, wie z. B. Ausschalt- und Leerlaufzeiten des Werkzeugs zusätzlich zur Betriebszeit).

**⚠️ WARNUNG:** Der angegebene Schwingungsemissionswert wird für Hauptanwendungen des Elektrowerkzeugs verwendet. Wird das Elektrowerkzeug jedoch für andere Anwendungen verwendet, kann der Schwingungsemissionswert abweichen.

## EG-Konformitätserklärung

### Nur für europäische Länder

Die EG-Konformitätserklärung ist als Anhang A in dieser Bedienungsanleitung enthalten.

## SICHERHEITSWARNUNGEN

### Allgemeine Sicherheitswarnungen für Elektrowerkzeuge

**⚠️ WARNUNG:** Lesen Sie alle mit diesem Elektrowerkzeug gelieferten Sicherheitswarnungen, Anweisungen, Abbildungen und technischen Daten durch. Eine Missachtung der unten aufgeführten Anweisungen kann zu einem elektrischen Schlag, Brand und/oder schweren Verletzungen führen.



# Bewahren Sie alle Warnungen und Anweisungen für spätere Bezugnahme auf.

Der Ausdruck „Elektrowerkzeug“ in den Warnhinweisen bezieht sich auf Ihr mit Netzstrom (mit Kabel) oder Akku (ohne Kabel) betriebenes Elektrowerkzeug.

## Sicherheitswarnungen für Schleifmaschine

### Allgemeine Sicherheitswarnungen für Schleifen, Drahtbürstenbetrieb:

1. **Dieses Elektrowerkzeug ist für den Einsatz als Schleifer oder Drahtbürste vorgesehen. Lesen Sie alle mit diesem Elektrowerkzeug gelieferten Sicherheitswarnungen, Anweisungen, Abbildungen und technischen Daten durch.** Eine Missachtung der unten aufgeführten Anweisungen kann zu einem elektrischen Schlag, Brand und/oder schweren Verletzungen führen.
2. **Arbeiten, wie Polieren, Schleifen und Trennschleifen, sind mit diesem Elektrowerkzeug nicht zu empfehlen.** Benutzungsweisen, für die das Elektrowerkzeug nicht ausgelegt ist, können Gefahren erzeugen und Personenschäden verursachen.
3. **Verwenden Sie kein Zubehör, das nicht speziell vom Werkzeughersteller vorgesehen ist und empfohlen wird.** Die bloße Tatsache, dass ein Zubehörteil an Ihrem Elektrowerkzeug angebracht werden kann, gewährleistet noch keinen sicheren Betrieb.
4. **Die Nenn Drehzahl des Zubehörteils muss mindestens der am Elektrowerkzeug angegebenen Maximaldrehzahl entsprechen.** Zubehörteile, die schneller als ihre Nenn Drehzahl rotieren, können bersten und auseinander fliegen.
5. **Außendurchmesser und Dicke des Zubehörteils müssen innerhalb der Kapazitätsgrenzen Ihres Elektrowerkzeugs liegen.** Zubehörteile der falschen Größe können nicht angemessen geschützt oder kontrolliert werden.
6. **Die Gewindehalterung von Zubehörteilen muss genau dem Spindelgewinde der Schleifmaschine entsprechen.** Bei Zubehörteilen, die durch Flansche montiert werden, muss die Spindelbohrung dem Positionierdurchmesser des Flansches angepasst sein. Zubehörteile, die nicht genau auf den Montageflansch des Elektrowerkzeugs passen, laufen unruhig, vibrieren übermäßig und können einen Verlust der Kontrolle verursachen.
7. **Verwenden Sie keine beschädigten Zubehörteile. Überprüfen Sie das Zubehörteil, wie z. B. Drahtbürste, vor jedem Gebrauch auf lose oder gerissene Drähte.** Falls das Elektrowerkzeug oder das Zubehörteil herunterfällt, überprüfen Sie es auf Beschädigung, oder montieren Sie ein unbeschädigtes Zubehörteil. Achten Sie nach der Überprüfung und Installation eines Zubehörteils darauf, dass Sie selbst und Umstehende nicht in der Rotationsebene des Zubehörteils stehen, und lassen Sie das Elektrowerkzeug eine Minute lang mit maximaler Leerlaufdrehzahl laufen. Ein beschädigtes Zubehörteil bricht normalerweise während dieses Probelaufs auseinander.

8. **Tragen Sie Schutzausrüstung. Benutzen Sie je nach der Arbeit einen Gesichtsschutz bzw. eine Sicherheits- oder Schutzbrille. Tragen Sie bei Bedarf eine Staubmaske, Ohrschützer, Handschuhe und eine Arbeitsschürze, die in der Lage ist, kleine Schleifpartikel oder Werkstücksplitter abzuwehren.** Der Augenschutz muss in der Lage sein, den bei verschiedenen Arbeiten anfallenden Flugstaub abzuwehren. Die Staubmaske oder Atemschutzmaske muss in der Lage sein, durch die Arbeit erzeugte Partikel herauszufiltern. Lang anhaltende Lärmbelastung kann zu Gehörschäden führen.
9. **Halten Sie Umstehende in sicherem Abstand vom Arbeitsbereich. Jeder, der den Arbeitsbereich betritt, muss persönliche Schutzausrüstung tragen.** Bruchstücke des Werkstücks oder eines beschädigten Zubehörteils können weggeschleudert werden und Verletzungen über den unmittelbaren Arbeitsbereich hinaus verursachen.
10. **Halten Sie das Elektrowerkzeug nur an den isolierten Griffflächen, wenn Sie Arbeiten ausführen, bei denen die Gefahr besteht, dass das Schneidzubehör verborgene Kabel oder das eigene Kabel kontaktiert.** Bei Kontakt mit einem Strom führenden Kabel können die freiliegenden Metallteile des Elektrowerkzeugs ebenfalls Strom führend werden, so dass der Benutzer einen elektrischen Schlag erleiden kann.
11. **Halten Sie das Kabel vom rotierenden Zubehörteil fern.** Falls Sie die Kontrolle verlieren, kann das Kabel durchgetrennt oder erfasst werden, so dass Ihre Hand oder Ihr Arm in das rotierende Zubehörteil hineingezogen wird.
12. **Legen Sie das Elektrowerkzeug erst ab, nachdem das Zubehörteil zum vollständigen Stillstand gekommen ist.** Anderenfalls kann das rotierende Zubehörteil die Oberfläche erfassen und das Elektrowerkzeug aus Ihren Händen reißen.
13. **Lassen Sie das Elektrowerkzeug nicht laufen, während Sie es an Ihrer Seite tragen.** Das rotierende Zubehörteil könnte sonst bei versehentlichem Kontakt Ihre Kleidung erfassen und auf Ihren Körper zu gezogen werden.
14. **Reinigen Sie die Ventilationsöffnungen des Elektrowerkzeugs regelmäßig.** Der Lüfter des Motors saugt Staub in das Gehäuse an, und starke Ablagerungen von Metallstaub können elektrische Gefahren verursachen.
15. **Betreiben Sie das Elektrowerkzeug nicht in der Nähe von brennbaren Materialien.** Funken könnten diese Materialien entzünden.
16. **Verwenden Sie keine Zubehörteile, die Kühlfüssigkeiten erfordern.** Die Verwendung von Wasser oder anderen Kühlfüssigkeiten kann zu einem Stromschlag führen.

### Warnungen vor Rückschlag und damit zusammenhängenden Gefahren

Ein Rückschlag ist eine plötzliche Reaktion auf Klemmen oder Hängenbleiben der Schleifscheibe, des Schleiftellers, der Drahtbürste oder eines anderen Zubehörteils. Klemmen oder Hängenbleiben verursacht sofortiges Stocken des rotierenden Zubehörteils, was wiederum dazu führt, dass das außer Kontrolle geratene Elektrowerkzeug am Stockpunkt in die entgegengesetzte Drehrichtung des Zubehörs geschleudert wird.

Wenn beispielsweise eine Schleifscheibe vom Werkstück erfasst oder eingeklemmt wird, kann sich die in den Klemmpunkt eindringende Schleifscheibenkante in die Materialoberfläche bohren, so dass sie herauspringt oder zurückschlägt. Je nach der Drehrichtung der Schleifscheibe am Klemmpunkt kann die Schleifscheibe auf die Bedienungsperson zu oder von ihr weg springen. Schleifscheiben können unter solchen Bedingungen auch brechen.

Rückschlag ist das Resultat falscher Handhabung des Elektrowerkzeugs und/oder falscher Arbeitsverfahren oder -bedingungen und kann durch Anwendung der nachstehenden Vorsichtsmaßnahmen vermieden werden.

1. **Halten Sie das Elektrowerkzeug mit festem Griff, und positionieren Sie Ihren Körper und Arm so, dass Sie die Rückschlagkräfte auffangen können. Benutzen Sie stets den Zusatzgriff, wenn vorhanden, um maximale Kontrolle über Rückschlag oder Drehbewegungen während des Anlaufs zu haben.** Drehbewegungen oder Rückschlagkräfte können kontrolliert werden, wenn entsprechende Vorkehrungen getroffen werden.
2. **Legen Sie Ihre Hand niemals in die Nähe des rotierenden Zubehörs. Bei einem Rückschlag könnte das Zubehörs Ihre Hand verletzen.**
3. **Stellen Sie sich nicht in den Bereich, in den das Elektrowerkzeug bei Auftreten eines Rückschlags geschleudert wird.** Der Rückschlag schleudert das Werkzeug am Stockpunkt in die entgegengesetzte Drehrichtung der Schleifscheibe.
4. **Lassen Sie beim Bearbeiten von Ecken und scharfen Kanten usw. besondere Vorsicht walten. Achten Sie darauf, dass das Zubehörs nicht springt oder hängen bleibt.** Ecken, scharfe Kanten oder Anstoßen führen leicht zu Hängenbleiben des rotierenden Zubehörs und verursachen Verlust der Kontrolle oder Rückschlag.
5. **Montieren Sie keine Sägeketten, Holzfräsen oder gezahnte Sägeblätter.** Solche Zubehörs verursachen häufige Rückschläge und Verlust der Kontrolle.

#### **Sicherheitswarnungen speziell für Schleifbetrieb:**

1. **Verwenden Sie nur Schleifscheiben, die für Ihr Elektrowerkzeug empfohlen werden, und die für die ausgewählte Schleifscheibe vorgesehene Schutzhaube.** Schleifscheiben, die nicht für das Elektrowerkzeug geeignet sind, können nicht angemessen abgeschirmt werden und sind unsicher.
2. **Die Schleiffläche von gekröpften Trennschleifscheiben muss unterhalb der Ebene der Schutzlippe montiert werden.** Eine falsch montierte Schleifscheibe, die über die Ebene der Schutzlippe hinausragt, kann nicht angemessen geschützt werden.
3. **Die Schutzhaube muss sicher am Elektrowerkzeug befestigt und für maximale Sicherheit positioniert werden, um den auf die Bedienungsperson gerichteten Schleifscheibenbetrag minimal zu halten.** Die Schutzhaube schützt den Bediener vor Schleifscheiben-Bruchstücken, versehentlichem Kontakt mit der Schleifscheibe und Funken, welche die Kleidung in Brand setzen könnten.

4. **Schleifscheiben dürfen nur für empfohlene Anwendungen eingesetzt werden.**
5. **Verwenden Sie stets unbeschädigte Scheibenflansche der korrekten Größe und Form für die ausgewählte Schleifscheibe.** Korrekte Scheibenflansche stützen die Schleifscheibe und reduzieren somit die Möglichkeit eines Scheibenbruchs.
6. **Verwenden Sie keine abgenutzten Schleifscheiben von größeren Elektrowerkzeugen.** Schleifscheiben für größere Elektrowerkzeuge eignen sich nicht für die höhere Drehzahl eines kleineren Werkzeugs und können bersten.

#### **Sicherheitswarnungen speziell für Drahtbürstenbetrieb:**

1. **Beachten Sie, dass Drahtborsten auch bei normalem Betrieb von der Drahtbürste herausgeschleudert werden. Überbeanspruchen Sie die Drähte nicht durch Ausübung übermäßigen Drucks auf die Drahtbürste.** Die Drahtborsten können ohne weiteres leichte Kleidung und/oder Haut durchdringen.
2. **Wenn der Einsatz einer Schutzhaube für Drahtbürsten empfohlen wird, achten Sie darauf, dass die Drahtscheibe oder die Drahtbürste nicht mit der Schutzhaube in Berührung kommt.** Der Durchmesser der Drahtscheibe oder Drahtbürste kann sich aufgrund der Arbeitslast und der Fliehkräfte vergrößern.

#### **Zusätzliche Sicherheitswarnungen:**

1. **Verwenden Sie nur glasfaserverstärkte Scheiben als gekröpfte Trennschleifscheiben.**
2. **Verwenden Sie NIEMALS Steintopschleifscheiben mit dieser Schleifmaschine.** Diese Schleifmaschine ist nicht für derartige Schleifscheiben ausgelegt, und der Gebrauch eines solchen Produkts kann zu schweren Personenschäden führen.
3. **Achten Sie sorgfältig darauf, dass Spindel, Flansch (insbesondere die Ansatzfläche) und Sicherungsmutter nicht beschädigt werden. Eine Beschädigung dieser Teile kann zu einem Scheibenbruch führen.**
4. **Vergewissern Sie sich vor dem Einschalten des Werkzeugs, dass die Schleifscheibe nicht das Werkstück berührt.**
5. **Lassen Sie das Werkzeug vor der eigentlichen Bearbeitung eines Werkstücks eine Weile laufen. Achten Sie auf Vibrationen oder Taumelbewegungen, die Anzeichen für schlechte Montage oder eine schlecht ausgewuchtete Schleifscheibe sein können.**
6. **Verwenden Sie nur die vorgeschriebene Fläche der Schleifscheibe für Schleifarbeiten.**
7. **Lassen Sie das Werkzeug nicht unbeaufsichtigt laufen. Benutzen Sie das Werkzeug nur im handgeführten Einsatz.**
8. **Vermeiden Sie eine Berührung des Werkstücks unmittelbar nach der Bearbeitung, weil es dann noch sehr heiß ist und Hautverbrannungen verursachen kann.**

9. Vermeiden Sie eine Berührung von Zubehöerteilen unmittelbar nach der Bearbeitung, weil sie dann noch sehr heiß sind und Hautverbrennungen verursachen können.
10. Befolgen Sie die Anweisungen des Herstellers für korrekte Montage und Verwendung von Schleifscheiben. Behandeln und lagern Sie Schleifscheiben mit Sorgfalt.
11. Verwenden Sie keine getrennten Reduzierbuchsen oder Adapter zur Anpassung von Schleifscheiben mit großem Lochdurchmesser.
12. Verwenden Sie nur die für dieses Werkzeug vorgeschriebenen Flansche.
13. Wenn eine Trennscheibe mit Gewindebohrung am Werkzeug montiert werden soll, achten Sie darauf, dass ihr Gewinde tief genug für die Spindellänge ist.
14. Vergewissern Sie sich, dass das Werkstück sicher abgestützt ist.
15. Beachten Sie, dass sich die Schleifscheibe nach dem Ausschalten des Werkzeugs noch weiterdreht.
16. Falls der Arbeitsplatz sehr heiß, feucht oder durch leitfähigen Staub stark verschmutzt ist, verwenden Sie einen Kurzschlusschalter (30 mA) zum Schutz des Bedieners.
17. Verwenden Sie dieses Werkzeug nicht zur Bearbeitung von asbesthaltigen Materialien.
18. Verwenden Sie keine Arbeitshandschuhe aus Stoff während der Arbeit. Fasern von Stoffhandschuhen können in das Werkzeug gelangen, was zu einer Beschädigung des Werkzeugs führen kann.

## BEWAHREN SIE DIESE ANLEITUNG AUF.

**⚠️ WARNUNG:** Lassen Sie sich NICHT durch Bequemlichkeit oder Vertrautheit mit dem Produkt (durch wiederholten Gebrauch erworben) von der strikten Einhaltung der Sicherheitsregeln für das vorliegende Produkt abhalten. MISSBRAUCH oder Missachtung der Sicherheitsvorschriften in dieser Anleitung können schwere Personenschäden verursachen.

## FUNKTIONSBESCHREIBUNG

**⚠️ VORSICHT:** Vergewissern Sie sich vor jeder Einstellung oder Funktionsprüfung des Werkzeugs stets, dass es ausgeschaltet und vom Stromnetz getrennt ist.

### Spindelarretierung

Drücken Sie die Spindelarretierung, um die Spindel zum Montieren oder Demontieren von Zubehör zu blockieren.

► **Abb.1:** 1. Spindelarretierung

**ANMERKUNG:** Betätigen Sie die Spindelarretierung niemals bei rotierender Spindel. Das Werkzeug kann sonst beschädigt werden.

### Schalterfunktion

**⚠️ VORSICHT:** Vergewissern Sie sich vor dem Anschließen des Werkzeugs an das Stromnetz stets, dass der Ein-Aus-Schalter ordnungsgemäß funktioniert und beim Loslassen in die AUS-Stellung zurückkehrt.

**⚠️ VORSICHT:** Betätigen Sie den Schalthebel nicht gewaltsam, ohne den Einschaltsperrknopf zu drücken. Anderenfalls kann der Schalter beschädigt werden.

Um versehentliche Betätigung des Schalthebels zu verhindern, ist das Werkzeug mit einem Einschaltsperrhebel ausgestattet. Zum Einschalten des Werkzeugs ziehen Sie den Einschaltsperrhebel zum Bediener hin, und betätigen Sie dann den Schalthebel. Zum Anhalten lassen Sie den Schalthebel los.

► **Abb.2:** 1. Einschaltsperrhebel 2. Schalthebel

### Schutz vor ungewolltem Neustart

Das Werkzeug läuft bei betätigtem Schalthebel nicht an, selbst wenn der Netzstecker eingesteckt ist. Zum Einschalten des Werkzeugs muss der Schalthebel zuerst losgelassen werden. Dann den Einschaltsperrhebel ziehen und den Schalthebel betätigen.

**HINWEIS:** Warten Sie länger als eine Sekunde, bevor Sie das Werkzeug wieder in Betrieb nehmen, wenn der Schutz vor ungewolltem Neustart aktiviert wird.

### Soft-Start-Funktion

Die Soft-Start-Funktion reduziert den Anlaufstoß.

# MONTAGE

**⚠ VORSICHT:** Vergewissern Sie sich vor der Ausführung von Arbeiten am Werkzeug stets, dass es ausgeschaltet und vom Stromnetz getrennt ist.

## Montieren des Seitengriffs (Handgriffs)

**⚠ VORSICHT:** Vergewissern Sie sich vor dem Betrieb stets, dass der Seitengriff einwandfrei montiert ist.

Schrauben Sie den Seitengriff an der in der Abbildung geeigneten Position fest an das Werkzeug.

► **Abb.3**

## Einstellen des Winkels der Schutzhaube

**⚠ WARNUNG:** Vergewissern Sie sich, dass die Schutzhaube durch den Verriegelungshebel mit einem der Löcher in der Schutzhaube sicher verriegelt ist.

Der Winkel der Schutzhaube kann eingestellt werden. Während Sie den Verriegelungshebel drücken, drehen Sie die Schutzhaube in Richtung B, und ändern Sie dann den Winkel der Schutzhaube entsprechend der Arbeit ein, so dass der Bediener geschützt werden kann. Richten Sie den Verriegelungshebel auf eine der Bohrungen in der Schutzhaube aus, und lassen Sie dann den Verriegelungshebel los, um die Schutzhaube zu verriegeln.

► **Abb.4:** 1. Schutzhaube 2. Bohrung

## Montieren oder Demontieren einer gekröpften Trennschleifscheibe oder Fächerscheibe

### Sonderzubehör

**⚠ WARNUNG:** Wenn Sie eine gekröpfte Trennschleifscheibe oder Fächerscheibe benutzen, muss die Schutzhaube so am Werkzeug angebracht werden, dass ihre geschlossene Seite immer zum Bediener gerichtet ist.

**⚠ VORSICHT:** Vergewissern Sie sich, dass der Montageteil des Innenflansches genau in den Innendurchmesser der gekröpften Trennschleifscheibe / Fächerscheibe passt. Die Montage des Innenflansches auf der falschen Seite kann zu gefährlichen Vibrationen führen.

Montieren Sie den Innenflansch an der Spindel. Vergewissern Sie sich, dass der gezahnte Teil des Innenflansches auf dem geraden Teil am unteren Ende der Spindel sitzt.

Passen Sie die gekröpfte Trennschleifscheibe / Fächerscheibe auf den Innenflansch, und schrauben Sie die Sicherungsmutter auf die Spindel.

► **Abb.5:** 1. Sicherungsmutter 2. Gekröpfte Trennschleifscheibe 3. Innenflansch 4. Montageteil

Zum Anziehen der Sicherungsmutter die Spindelarretierung drücken, um die Spindel zu blockieren; dann die Mutter mit dem Sicherungsmutterschlüssel im Uhrzeigersinn anziehen.

► **Abb.6:** 1. Sicherungsmutterschlüssel  
2. Spindelarretierung

Zum Demontieren der Schleifscheibe ist das Montageverfahren umgekehrt anzuwenden.

## Anbringen oder Abnehmen einer Flexscheibe

### Sonderzubehör

**⚠ WARNUNG:** Benutzen Sie immer die mitgelieferte Schutzhaube, wenn eine Flexscheibe am Werkzeug montiert ist. Die Schutzhaube reduziert die Gefahr von Personenschäden, falls die Scheibe während des Betriebs zerbricht.

► **Abb.7:** 1. Sicherungsmutter 2. Flexscheibe  
3. Stützteller 4. Innenflansch

Folgen Sie den Anweisungen für eine gekröpfte Trennschleifscheibe, aber benutzen Sie auch eine Stützteller auf der Schleifscheibe. Die Montagereihenfolge ist auf der Zubehörseite in dieser Anleitung ersichtlich.

# BETRIEB

**⚠ WARNUNG:** Das Werkzeug darf auf keinen Fall gewaltsam angedrückt werden. Das Eigengewicht des Werkzeugs übt ausreichenden Druck aus. Gewaltanwendung und übermäßiger Druck können zu einem gefährlichen Schleifscheibenbruch führen.

**⚠ WARNUNG:** Wechseln Sie die Schleifscheibe IMMER aus, falls das Werkzeug während der Schleifarbeit fallen gelassen wurde.

**⚠ WARNUNG:** Eine Schleif- oder Trennscheibe darf NIEMALS gegen das Werkstück geschlagen oder gestoßen werden.

**⚠ WARNUNG:** Achten Sie besonders beim Bearbeiten von Ecken, scharfen Kanten usw. darauf, dass die Schleifscheibe nicht springt oder hängen bleibt. Dies kann den Verlust der Kontrolle und Rückschläge verursachen.

**⚠ WARNUNG:** Verwenden Sie das Werkzeug NIEMALS mit Holz- und anderen Sägeblättern. Solche Sägeblätter verursachen bei Verwendung an einer Schleifmaschine häufiges Rückschlagen und Verlust der Kontrolle, was zu Verletzungen führen kann.

**⚠ WARNUNG:** Fortgesetzter Gebrauch einer abgenutzten Schleifscheibe kann zum Zerbersten der Schleifscheibe führen und schwere Personenschäden verursachen.

**⚠ VORSICHT:** Schalten Sie das Werkzeug niemals ein, wenn es mit dem Werkstück in Berührung ist, weil sonst Verletzungsgefahr für die Bedienungsperson besteht.

**⚠ VORSICHT:** Tragen Sie bei der Arbeit stets eine Schutzbrille oder einen Gesichtsschutz.

**⚠ VORSICHT:** Schalten Sie das Werkzeug nach der Arbeit stets aus, und warten Sie, bis die Schleifscheibe zum völligen Stillstand gekommen ist, bevor Sie das Werkzeug ablegen.

**⚠ VORSICHT:** Halten Sie das Werkzeug IMMER mit einer Hand am Gehäuse und mit der anderen am Seitengriff (Handgriff) fest.

## Betrieb mit Trennscheibe/ Schleifscheibe

### ► Abb.8

Schalten Sie das Werkzeug ein, und setzen Sie dann die Trenn- oder Schleifscheibe an das Werkstück an. Halten Sie die Trenn- oder Schleifscheibe im Allgemeinen in einem Winkel von etwa 15° zur Werkstückoberfläche.

Bewegen Sie die Schleifmaschine beim Einschleifen einer neuen Schleifscheibe nicht in Vorwärtsrichtung, weil die Schleifscheibe sonst in das Werkstück einschneiden kann. Sobald die Schleifscheibenkante durch Gebrauch abgerundet ist, kann die Schleifscheibe sowohl in Vorwärts- als auch in Rückwärtsrichtung bewegt werden.

## Betrieb mit Rotordrahtbürste

### Sonderzubehör

**⚠ VORSICHT:** Überprüfen Sie den Betrieb der Rotordrahtbürste, indem Sie das Werkzeug bei Nulllast laufen lassen und sicherstellen, dass sich niemand vor der Rotordrahtbürste oder in ihrer Linie befindet.

**⚠ VORSICHT:** Verwenden Sie keine beschädigte oder unausgewuchtete Rotordrahtbürste. Bei Verwendung einer beschädigten Rotordrahtbürste ist das Verletzungspotenzial durch Kontakt mit gebrochenen Bürstendrähten größer.

**⚠ VORSICHT:** Verwenden Sie Rotordrahtbürsten IMMER mit einer Schutzhaube, die groß genug für den Rotordurchmesser ist. Die Schutzhaube reduziert die Gefahr von Personenschäden, falls die Rotordrahtbürste während des Betriebs zerbricht.

### ► Abb.9: 1. Rotordrahtbürste

Trennen Sie das Werkzeug vom Stromnetz, und legen Sie es umgedreht hin, um leichten Zugang zur Spindel zu ermöglichen.

Entfernen Sie sämtliches Zubehör von der Spindel. Die Rotordrahtbürste auf die Spindel schrauben und mit den Schraubenschlüsseln festziehen.

**ANMERKUNG:** Vermeiden Sie übermäßige Druckausübung, die Verbiegung der Drähte bei Benutzung der Rotordrahtbürste verursacht. Dies kann zu vorzeitigem Brechen führen.

## Anschluss einer Schnur (Haltegurt)

**⚠ Spezielle Sicherheitswarnungen für Gebrauch an hohen Orten**

Lesen Sie alle Sicherheitswarnungen und Anweisungen durch. Eine Missachtung der Warnungen und Anweisungen kann zu schweren Verletzungen führen.

1. Halten Sie das Werkzeug stets angebunden, wenn Sie „an hohen Orten“ arbeiten. Die maximale Schnurlänge beträgt 2 m. Die maximal zulässige Fallhöhe für die Schnur (Haltegurt) darf 2 m nicht überschreiten.
2. Verwenden Sie nur für diesen Werkzeugsyp geeignete Schnüre, die für eine Belastung von mindestens 4,0 kg bemessen sind.
3. Verankern Sie die Werkzeugschnur nicht an irgendeinem Körperteil oder an beweglichen Komponenten. Verankern Sie die Werkzeugschnur an einer starren Struktur, die den Kräften eines herunterfallenden Werkzeugs widerstehen kann.
4. Vergewissern Sie sich vor der Benutzung, dass die Schnur an beiden Enden einwandfrei gesichert ist.
5. Überprüfen Sie Werkzeug und Schnur vor jeder Benutzung auf Beschädigung und ordnungsgemäße Funktion (einschließlich Stoff und Nähte). Unterlassen Sie den Gebrauch bei Beschädigung oder nicht ordnungsgemäßer Funktion. Das Werkzeug muss repariert werden, insbesondere, wenn ein Riss oder eine rote Linie um das Loch für die Schnur erscheint.
6. Wickeln Sie die Schnüre nicht um scharfe oder raue Kanten, und lassen Sie sie auch nicht mit diesen in Berührung kommen.
7. Befestigen Sie das andere Ende der Schnur außerhalb des Arbeitsbereichs, so dass ein herunterfallendes Werkzeug sicher gehalten wird.
8. Bringen Sie die Schnur so an, dass sich das Werkzeug vom Bediener weg bewegt, falls es herunterfällt. Heruntergefallene Werkzeuge schwingen an der Schnur, was Verletzungen oder Verlust des Gleichgewichts verursachen kann.
9. Unterlassen Sie die Benutzung in der Nähe von beweglichen Teilen oder laufenden Maschinen. Anderenfalls besteht Gefährdung durch Zerquetschen oder Erfassen.
10. Tragen Sie das Werkzeug nicht an der Aufsatzvorrichtung oder der Schnur.
11. Übertragen Sie das Werkzeug nur zwischen Ihren Händen, wenn Sie einwandfreies Gleichgewicht haben.
12. Befestigen Sie Schnüre nicht in einer Weise am Werkzeug, die ordnungsgemäße Funktionen von Schutzhauben, Schaltem oder Verriegelungen verhindert.
13. Vermeiden Sie es, in der Schnur verwickelt zu werden.
14. Halten Sie die Schnur vom Schneidbereich des Werkzeugs fern.

15. Verwenden Sie einen Schraubkarabiner (Multi-Action- und Screw Gate-Ausführung). Verwenden Sie keine Single-Action-Karabiner mit Federschnapper.
  16. Falls das Werkzeug herunterfällt, muss es markiert und außer Betrieb genommen werden und sollte von einem Makita-Werk oder einem autorisierten Service-Center überprüft werden.
  17. Befestigen Sie die Schnur nur mit einem Schraubkarabiner. Befestigen Sie die Schnur nicht durch Schlingenbildung oder Verknoten der Schnur. Verwenden Sie keine Seile oder Kabel.
- **Abb.10:** 1. Öse für Schnur (Haltegurt)

## WARTUNG

**⚠ VORSICHT:** Vergewissern Sie sich vor der Durchführung von Überprüfungen oder Wartungsarbeiten des Werkzeugs stets, dass es ausgeschaltet und vom Stromnetz getrennt ist.

**ANMERKUNG:** Verwenden Sie auf keinen Fall Benzin, Waschbenzin, Verdünner, Alkohol oder dergleichen. Solche Mittel können Verfärbung, Verformung oder Rissbildung verursachen.

Um die SICHERHEIT und ZUVERLÄSSIGKEIT dieses Produkts zu gewährleisten, sollten Reparaturen und andere Wartungs- oder Einstellarbeiten nur von Makita-Vertragswerkstätten oder Makita-Kundendienstzentren unter ausschließlicher Verwendung von Makita-Originalersatzteilen ausgeführt werden.

## Reinigung der Ventilationsöffnungen

Halten Sie das Werkzeug und seine Ventilationsöffnungen stets sauber. Reinigen Sie die Ventilationsöffnungen des Werkzeugs regelmäßig oder im Anfangsstadium einer Verstopfung.

► **Abb.11:** 1. Auslassöffnung 2. Einlassöffnung

## SONDERZUBEHÖR

**⚠ VORSICHT:** Die folgenden Zubehörteile oder Vorrichtungen werden für den Einsatz mit dem in dieser Anleitung beschriebenen Makita-Werkzeug empfohlen. Die Verwendung anderer Zubehörteile oder Vorrichtungen kann eine Verletzungsgefahr darstellen. Verwenden Sie Zubehörteile oder Vorrichtungen nur für ihren vorgesehenen Zweck.

Wenn Sie weitere Einzelheiten bezüglich dieser Zubehörteile benötigen, wenden Sie sich bitte an Ihre Makita-Kundendienststelle.

► **Abb.12**

	100-mm-Modell	115-mm-Modell	125-mm-Modell
1	Seitengriff		
2	Innenflansch	Innenflansch / Superflansch	
3	Gekröpfte Trennschleifscheibe / Fächerscheibe		
4	Sicherungsmutter		
5	Stützteller		
6	Flexscheibe		
7	Rotordrahtbürste		
-	Sicherungsmutterschlüssel		
-	Staubfänger		

**HINWEIS:** Manche Teile in der Liste können als Standardzubehör im Werkzeugsatz enthalten sein. Sie können von Land zu Land unterschiedlich sein.



## DATI TECNICI

<b>Modello:</b>	<b>GA4051R</b>	<b>GA4551R</b>	<b>GA5051R</b>
Diametro disco	100 mm (4")	115 mm (4-1/2")	125 mm (5")
Spessore massimo disco	6,4 mm (1/4")	7,2 mm (9/32")	
Filettatura mandrino	M10	M14 o 5/8"	
Velocità nominale (n)	11.000 min <sup>-1</sup>		
Lunghezza totale	325 mm		
Peso netto	2,3 - 2,5 kg	2,5 - 2,7 kg	
Classe di sicurezza	□/II		

- In conseguenza del nostro programma di ricerca e sviluppo continui, i dati tecnici nel presente manuale sono soggetti a modifiche senza preavviso.
- I dati tecnici possono variare da nazione a nazione.
- Il peso può variare a seconda dell'accessorio o degli accessori. La combinazione più leggera e quella più pesante, in base alla Procedura EPTA 01/2014, sono indicate nella tabella.

### Utilizzo previsto

Questo utensile è progettato per la molatura senza l'uso di acqua.

### Alimentazione

L'utensile deve essere collegato a una fonte di alimentazione con la stessa tensione indicata sulla targhetta del nome, e può funzionare solo a corrente alternata monofase. L'utensile è dotato di doppio isolamento, per cui può essere utilizzato con prese elettriche sprovviste di messa a terra.

### Rumore

Livello tipico di rumore pesato A determinato in base allo standard EN60745-2-3:

Modello	Livello di pressione sonora (L <sub>pA</sub> ): (dB (A))	Livello di potenza sonora (L <sub>WA</sub> ): (dB (A))	Incertezza (K): (dB (A))
GA4051R	91	102	3
GA4551R	91	102	3
GA5051R	91	102	3

**NOTA:** Il valore o i valori dichiarati delle emissioni di rumori sono stati misurati in conformità a un metodo standard di verifica, e possono essere utilizzati per confrontare un utensile con un altro.

**NOTA:** Il valore o i valori dichiarati delle emissioni di rumori possono venire utilizzati anche per una valutazione preliminare dell'esposizione.

**⚠AVVERTIMENTO:** Indossare protezioni per le orecchie.

**⚠AVVERTIMENTO:** L'emissione di rumori durante l'utilizzo effettivo dell'utensile elettrico può variare rispetto al valore o ai valori dichiarati, a seconda dei modi in cui viene utilizzato l'utensile e specialmente a seconda di che tipo di pezzo venga lavorato.

**⚠AVVERTIMENTO:** Accertarsi di identificare misure di sicurezza per la protezione dell'operatore che siano basate su una stima dell'esposizione nelle condizioni effettive di utilizzo (tenendo conto di tutte le parti del ciclo operativo, ad esempio del numero di spegnimenti dell'utensile e di quando giri a vuoto, oltre al tempo di attivazione).

## Vibrazioni

Valore totale delle vibrazioni (somma vettoriale triassiale) determinato in base allo standard EN60745-2-3:

### Modalità di lavoro: smerigliatura di superficie con impugnatura laterale normale

Modello	Emissione di vibrazioni ( $a_{h, AG}$ ): ( $m/s^2$ )	Incertezza (K): ( $m/s^2$ )
GA4051R	6,5	1,5
GA4551R	7,0	1,5
GA5051R	7,5	1,5

### Modalità di lavoro: smerigliatura di superficie con impugnatura laterale antivibrazioni

Modello	Emissione di vibrazioni ( $a_{h, AG}$ ): ( $m/s^2$ )	Incertezza (K): ( $m/s^2$ )
GA4051R	5,5	1,5
GA4551R	7,0	1,5
GA5051R	8,5	1,5

### Modalità di lavoro: carteggiatura con disco con impugnatura laterale normale

Modello	Emissione di vibrazioni ( $a_{h, AG}$ ): ( $m/s^2$ )	Incertezza (K): ( $m/s^2$ )
GA4051R	2,5 $m/s^2$ o inferiore	1,5
GA4551R	2,5	1,5
GA5051R	2,5 $m/s^2$ o inferiore	1,5

### Modalità di lavoro: carteggiatura con disco con impugnatura laterale antivibrazioni

Modello	Emissione di vibrazioni ( $a_{h, AG}$ ): ( $m/s^2$ )	Incertezza (K): ( $m/s^2$ )
GA4051R	2,5 $m/s^2$ o inferiore	1,5
GA4551R	2,5 $m/s^2$ o inferiore	1,5
GA5051R	2,5 $m/s^2$ o inferiore	1,5

**NOTA:** Il valore o i valori complessivi delle vibrazioni dichiarati sono stati misurati in conformità a un metodo standard di verifica, e possono essere utilizzati per confrontare un utensile con un altro.

**NOTA:** Il valore o i valori complessivi delle vibrazioni dichiarati possono venire utilizzati anche per una valutazione preliminare dell'esposizione.

**⚠AVVERTIMENTO:** L'emissione delle vibrazioni durante l'utilizzo effettivo dell'utensile elettrico può variare rispetto al valore o ai valori dichiarati, a seconda dei modi in cui viene utilizzato l'utensile, specialmente a seconda di che tipo di pezzo venga lavorato.

**⚠AVVERTIMENTO:** Accertarsi di identificare misure di sicurezza per la protezione dell'operatore che siano basate su una stima dell'esposizione nelle condizioni effettive di utilizzo (tenendo conto di tutte le parti del ciclo operativo, ad esempio del numero di spegnimenti dell'utensile e di quando giri a vuoto, oltre al tempo di attivazione).

**⚠AVVERTIMENTO:** Il valore di emissione delle vibrazioni dichiarato viene utilizzato per le applicazioni principali dell'utensile elettrico. Tuttavia, qualora l'utensile elettrico venga utilizzato per altre applicazioni, il valore di emissione delle vibrazioni potrebbe essere diverso.

## Dichiarazione di conformità CE

### Solo per i paesi europei

La dichiarazione di conformità CE è inclusa nell'Allegato A al presente manuale di istruzioni.

## AVVERTENZE DI SICUREZZA

### Avvertenze generali relative alla sicurezza dell'utensile elettrico

**⚠AVVERTIMENTO:** Leggere tutte le avvertenze di sicurezza, le istruzioni, le illustrazioni e i dati tecnici forniti con il presente utensile elettrico. La mancata osservanza di tutte le istruzioni elencate di seguito potrebbe risultare in scosse elettriche, incendi e/o gravi lesioni personali.



## Conservare tutte le avvertenze e le istruzioni come riferimento futuro.

Il termine "utensile elettrico" nelle avvertenze si riferisce sia all'utensile elettrico (cablato) nel funzionamento alimentato da rete elettrica che all'utensile elettrico (a batteria) nel funzionamento alimentato a batteria.

### Avvertenze di sicurezza per la smerigliatrice

Avvertenze di sicurezza comuni per le operazioni di molatura e di spazzolatura metallica:

- Questo utensile elettrico è progettato per funzionare come smerigliatrice o spazzola metallica. Leggere tutte le avvertenze di sicurezza, le istruzioni, le illustrazioni e i dati tecnici forniti con questo utensile elettrico.** La mancata osservanza di tutte le istruzioni seguenti potrebbe risultare in scosse elettriche, incendi e/o gravi lesioni personali.
- Con il presente utensile elettrico non è consigliata l'esecuzione di operazioni quali la lucidatura, la levigatura e la troncatura.** Le operazioni per le quali questo utensile elettrico non è stato progettato potrebbero costituire un pericolo e causare lesioni personali.
- Non utilizzare accessori che non siano stati designati e consigliati appositamente dal produttore dell'utensile.** La semplice possibilità di montare un accessorio sull'utensile elettrico utilizzato non ne garantisce un funzionamento sicuro.
- La velocità nominale dell'accessorio deve essere almeno pari alla velocità massima indicata sull'utensile elettrico.** Gli accessori che girano più velocemente della loro velocità nominale possono spaccarsi, e i frammenti possono venire scagliati via.
- Il diametro esterno e lo spessore dell'accessorio utilizzato devono rientrare nella capacità nominale dell'utensile elettrico utilizzato.** Non è possibile proteggere o controllare in modo appropriato accessori di dimensioni errate.
- L'attacco filettato degli accessori deve coincidere con la filettatura del mandrino della smerigliatrice. Per gli accessori montati mediante flange, il foro per l'albero dell'accessorio deve essere adatto al diametro di posizionamento della flangia.** Gli accessori che non coincidano con le misure degli attacchi di montaggio dell'utensile elettrico funzionano in modo sbilanciato, vibrano eccessivamente e potrebbero causare la perdita di controllo.
- Non utilizzare accessori danneggiati. Prima di ciascun utilizzo, ispezionare l'accessorio, ad esempio la spazzola metallica, per verificare l'eventuale presenza di fili di ferro allentati o spaccati. Qualora l'utensile elettrico o l'accessorio vengano fatti cadere, verificare l'eventuale presenza di danni o installare un accessorio non danneggiato. Dopo aver ispezionato e installato un accessorio, posizionare se stessi e gli astanti lontano dal piano di rotazione dell'accessorio, quindi far funzionare l'utensile elettrico alla massima velocità a vuoto per un minuto.** Gli accessori danneggiati in genere si rompono, durante questo periodo di prova.
- Indossare un'attrezzatura di protezione personale. A seconda dell'applicazione, utilizzare una visiera, occhiali oppure occhiali di sicurezza. A seconda delle esigenze, indossare una mascherina antipolvere, protezioni per l'udito, guanti e un grembiule da officina in grado di arrestare piccoli frammenti abrasivi o dei pezzi in lavorazione.** La protezione per gli occhi deve essere in grado di arrestare detriti volanti generati da svariate operazioni. La mascherina antipolvere o il respiratore devono essere in grado di filtrare le particelle generate dall'operazione in corso. L'esposizione prolungata al rumore ad alta intensità potrebbe causare la perdita dell'udito.
- Tenere gli astanti a distanza di sicurezza dall'area di lavoro. Chiunque entri nell'area di lavoro deve indossare l'attrezzatura di protezione personale.** I frammenti del pezzo in lavorazione o di un accessorio rotto potrebbero venire scagliati via e causare lesioni personali a una distanza superiore alle immediate vicinanze dell'operazione in corso.
- Mantenere l'utensile elettrico solo per le superfici di impugnatura isolate quando si esegue un'operazione in cui l'accessorio di taglio potrebbe entrare in contatto con fili elettrici nascosti o con il proprio cavo di alimentazione.** Un accessorio di taglio che entri in contatto con un filo elettrico sotto tensione potrebbe mettere sotto tensione le parti metalliche esposte dell'utensile elettrico e dare una scossa elettrica all'operatore.
- Posizionare il cavo di alimentazione a distanza dall'accessorio in rotazione.** Qualora si perda il controllo dell'utensile, il cavo di alimentazione potrebbe venire tagliato o restare impigliato, e la mano o il braccio dell'operatore potrebbero venire tirati nell'accessorio in rotazione.
- Non appoggiare mai l'utensile elettrico fino all'arresto completo dell'accessorio.** L'accessorio in rotazione potrebbe far presa sulla superficie di appoggio e tirare l'utensile elettrico facendone perdere il controllo all'operatore.
- Non far funzionare l'utensile elettrico mentre lo si trasporta sul proprio fianco.** Un contatto accidentale con l'accessorio in rotazione potrebbe fare impigliare gli indumenti, attirando l'accessorio contro il corpo dell'operatore.
- Pulire regolarmente le aperture di ventilazione dell'utensile elettrico.** La ventola del motore attira le polveri all'interno dell'alloggiamento, e l'accumulazione eccessiva di polvere metallica potrebbe causare pericoli di natura elettrica.
- Non far funzionare l'utensile elettrico in prossimità di materiali infiammabili.** Le scintille potrebbero dare fuoco a tali materiali.
- Non utilizzare accessori che richiedano refrigeranti liquidi.** L'impiego di acqua o di altri refrigeranti liquidi potrebbe causare la folgorazione o scosse elettriche.

### Contraccolpo e relative avvertenze

Il contraccolpo è una reazione improvvisa a un disco in rotazione, un platorello di sostegno, una spazzola o qualsiasi altro accessorio che resti incastrato o impigliato. Un accessorio in rotazione che resti incastrato o impigliato subisce un rapido stallo che, che a sua volta, spinge l'utensile elettrico fuori controllo nella direzione opposta alla rotazione dell'accessorio nel punto di inceppamento.

Ad esempio, qualora una mola abrasiva resti incastrata o impigliata nel pezzo in lavorazione, il filo del disco che entra nel punto di inceppamento potrebbe scavare nella superficie del materiale, causando la fuoriuscita o il contraccolpo del disco verso l'esterno. Il disco potrebbe saltare verso l'operatore o lontano da quest'ultimo, a seconda della direzione del movimento del disco nel punto in cui si è incastrato. In queste condizioni, le mole abrasive potrebbero anche rompersi.

Il contraccolpo è il risultato dell'uso improprio dell'utensile elettrico e/o di procedure o condizioni operative errate, e può essere evitato adottando le precauzioni appropriate indicate di seguito.

1. **Mantenere una salda presa sull'utensile elettrico e posizionare il corpo e il braccio in modo da poter resistere alle forze dei contraccolpi. Per il massimo controllo dei contraccolpi o di reazioni di coppia durante l'avvio, utilizzare sempre il manico ausiliario, se in dotazione.** L'operatore può controllare le reazioni di coppia o le forze dei contraccolpi, se adotta le precauzioni appropriate.
2. **Non posizionare mai le mani in prossimità dell'accessorio in rotazione.** L'accessorio potrebbe saltare all'indietro sulla mano per un contraccolpo.
3. **Non posizionare il corpo nell'area in cui l'utensile elettrico si sposterebbe qualora si verificasse un contraccolpo.** Il contraccolpo lancia l'utensile nella direzione opposta al movimento del disco sul punto in cui si è impigliato.
4. **Fare particolarmente attenzione quando si intende lavorare su angoli, bordi acuti, e così via. Evitare che l'accessorio rimbalzi o resti impigliato.** Gli angoli, i bordi acuti o i rimbalzi tendono a far impigliare l'accessorio in rotazione e a causare la perdita di controllo o il contraccolpo.
5. **Non montare catene per seghe, lame da intaglio per legno o lame dentate.** Queste lame causano frequenti contraccolpi e perdite di controllo.

### Avvertenze di sicurezza specifiche per le operazioni di molatura:

1. **Utilizzare solo i tipi di dischi consigliati per l'utensile elettrico utilizzato e la protezione specifica progettata per il disco selezionato.** I dischi che non siano stati progettati per questo utensile elettrico non possono essere adeguatamente protetti e non sono sicuri.
2. **La superficie di smerigliatura dei dischi a centro depresso deve essere montata sotto il piano del lembo della protezione.** Un disco montato in modo errato che sporga oltre il piano del lembo della protezione non può essere protetto adeguatamente.

3. **La protezione deve essere montata saldamente sull'utensile elettrico e posizionata per la massima sicurezza, in modo che una parte minima del disco sia esposta verso l'operatore.** La protezione aiuta a proteggere l'operatore da frammenti di dischi rotti, dal contatto accidentale con il disco e dalle scintille che potrebbero incendiare gli indumenti.
4. **I dischi devono essere utilizzati esclusivamente per le applicazioni consigliate.**
5. **Utilizzare sempre flange dei dischi non danneggiate, di dimensione e forma corrette per il disco selezionato.** Flange dei dischi corrette supportano i dischi, riducendo pertanto la possibilità di rottura dei dischi.
6. **Non utilizzare dischi usurati provenienti da utensili elettrici più grandi.** I dischi progettati per gli utensili elettrici più grandi non sono adatti alla velocità più elevata di un utensile più piccolo, e potrebbero scoppiare.

### Avvertenze di sicurezza specifiche per le operazioni di spazzolatura metallica:

1. **Tenere presente che le setole in filo metallico vengono scagliate via dalla spazzola anche durante il normale funzionamento. Non sollecare eccessivamente le setole in filo metallico esercitando un carico eccessivo sulla spazzola.** Le setole in filo metallico possono penetrare facilmente gli abiti leggeri e/o la pelle.
2. **Qualora sia consigliato l'uso di una protezione per la spazzolatura metallica, evitare qualsiasi interferenza della spazzola metallica a disco o della spazzola metallica con la protezione.** Il diametro della spazzola metallica a disco o della spazzola metallica potrebbe espandersi a causa del carico di lavoro e delle forze centrifughe.

### Avvertenze aggiuntive per la sicurezza:

1. **Quando si intende utilizzare mole a centro depresso, scegliere esclusivamente mole rinforzate in fibra di vetro.**
2. **NON UTILIZZARE MAI mole a tazza in pietra con questa smerigliatrice.** Questa smerigliatrice non è progettata per questi tipi di mole, e l'utilizzo di tali prodotti potrebbe risultare in gravi lesioni personali.
3. **Fare attenzione a non danneggiare il mandrino, la flangia (soprattutto la superficie di installazione) o il controdado.** Il danneggiamento di queste parti potrebbe risultare nella rottura del disco.
4. **Accertarsi che il disco non sia in contatto con il pezzo in lavorazione prima dell'attivazione dell'interruttore.**
5. **Prima di utilizzare l'utensile sul pezzo in lavorazione effettivo, lasciarlo girare per qualche momento. Osservare se siano presenti vibrazioni od ondeggiamenti, che potrebbero denotare un'installazione errata del disco o un disco bilanciato male.**
6. **Utilizzare la superficie specificata del disco per eseguire la molatura.**
7. **Non lasciare l'utensile in funzione. Far funzionare l'utensile solo mentre lo si impugna.**

8. Non toccare il pezzo in lavorazione subito dopo averlo lavorato con l'utensile; la temperatura del pezzo potrebbe essere estremamente elevata e causare ustioni.
9. Non toccare gli accessori subito dopo l'utilizzo; la loro temperatura potrebbe essere estremamente elevata e potrebbero causare ustioni.
10. Osservare le istruzioni del produttore per il corretto montaggio e utilizzo dei dischi. Maneggiare e conservare i dischi con cura.
11. Non utilizzare boccole di riduzione o adattatori separati per adattare mole abrasive con foro largo.
12. Utilizzare esclusivamente le flange specificate per questo utensile.
13. Per gli utensili su cui vanno montati dischi con foro filettato, accertarsi che la filettatura del disco sia sufficientemente lunga da accettare la lunghezza del mandrino.
14. Accertarsi che il pezzo in lavorazione sia supportato correttamente.
15. Tenere presente che il disco continua a girare dopo lo spegnimento dell'utensile.
16. Qualora l'ambiente di lavoro sia estremamente caldo o umido, oppure notevolmente contaminato da polvere conduttiva, utilizzare un salvavita (da 30 mA) per garantire la sicurezza dell'operatore.
17. Non utilizzare l'utensile su materiali contenenti amianto.
18. Non utilizzare guanti da lavoro in tessuto durante l'uso dell'utensile. Le fibre provenienti da guanti in tessuto potrebbero penetrare nell'utensile, causandone la rottura.

## CONSERVARE LE PRESENTI ISTRUZIONI.

**⚠AVVERTIMENTO:** NON lasciare che comodità o la familiarità d'utilizzo con il prodotto (acquisita con l'uso ripetuto) sostituisca la stretta osservanza delle norme di sicurezza per il prodotto in questione. L'USO IMPROPRIO o la mancata osservanza delle norme di sicurezza indicate nel presente manuale di istruzioni potrebbero causare gravi lesioni personali.

## DESCRIZIONE DELLE FUNZIONI

**⚠ATTENZIONE:** Accertarsi sempre che l'utensile sia spento e scollegato dall'alimentazione prima di regolare o controllare le sue funzioni.

### Blocco albero

Premere il blocco albero per impedire la rotazione del mandrino quando si intende installare o rimuovere gli accessori.

► Fig.1: 1. Blocco albero

**AVVISO:** Non utilizzare mai il blocco albero mentre il mandrino è in movimento. In caso contrario, si potrebbe danneggiare l'utensile.

### Utilizzo dell'interruttore

**⚠ATTENZIONE:** Prima di collegare l'utensile all'alimentazione elettrica, controllare sempre che l'interruttore a grilletto funzioni correttamente e che torni sulla posizione "OFF" quando viene rilasciato.

**⚠ATTENZIONE:** Non premere forzatamente l'interruttore a leva senza tenere premuto il pulsante di sblocco. In caso contrario, l'interruttore potrebbe rompersi.

L'utensile è dotato di una leva di sblocco, per evitare di premere accidentalmente l'interruttore a leva. Per avviare l'utensile, tirare la leva di sblocco verso l'operatore, quindi premere l'interruttore a leva. Per arrestare l'utensile, rilasciare l'interruttore a leva.

► Fig.2: 1. Leva di sblocco 2. Interruttore a leva

### Sicura contro l'avvio involontario

L'utensile non si avvia quando l'interruttore a leva viene premuto, anche quando l'utensile è collegato alla presa elettrica. Per avviare l'utensile, rilasciare innanzitutto l'interruttore a leva. Quindi tirare la leva di sblocco e premere l'interruttore a leva.

**NOTA:** Attendere più di un secondo prima di riavviare l'utensile, quando la sicura contro l'avvio involontario è entrata in funzione.

### Funzione di avvio morbido

La funzione di avvio morbido riduce la reazione di avvio.

## MONTAGGIO

**⚠ATTENZIONE:** Accertarsi sempre che l'utensile sia spento e scollegato dall'alimentazione elettrica, prima di effettuare qualsiasi intervento su di esso.

## Installazione dell'impugnatura laterale (manico)

**⚠ATTENZIONE:** Accertarsi sempre che l'impugnatura laterale sia installata saldamente prima dell'uso.

Avvitare saldamente l'impugnatura laterale sulla posizione dell'utensile mostrata nella figura.

► Fig.3

## Regolazione dell'angolazione della protezione disco

**⚠AVVERTIMENTO:** Accertarsi che la protezione disco sia bloccata saldamente dalla leva di blocco con uno dei fori presenti sulla protezione disco.

È possibile regolare l'angolazione della protezione disco. Mentre si tiene premuta la leva di blocco, ruotare la protezione disco nella direzione B, quindi modificare l'angolazione della protezione disco in base al lavoro da svolgere, in modo che sia possibile proteggere l'operatore. Allineare la leva di blocco con uno dei fori presenti nella protezione disco, quindi rilasciare la leva di blocco per bloccare la protezione disco.

► Fig.4: 1. Protezione disco 2. Foro

## Installazione o rimozione di un disco a centro depresso o di un disco lamellare

### Accessorio opzionale

**⚠AVVERTIMENTO:** Quando si intende utilizzare un disco a centro depresso o un disco lamellare, la protezione disco deve essere montata sull'utensile in modo che il lato chiuso della protezione sia sempre rivolto verso l'operatore.

**⚠ATTENZIONE:** Accertarsi che la parte di montaggio della flangia interna entri perfettamente nel diametro interno del disco a centro depresso o del disco lamellare. Il montaggio della flangia interna sul lato errato potrebbe risultare in vibrazioni pericolose.

Montare la flangia interna sul mandrino. Accertarsi di inserire la parte dentellata della flangia interna sulla parte diritta sul fondo del mandrino. Installare il disco a centro depresso o il disco lamellare sulla flangia interna e avvitare il controdado sul mandrino.

► Fig.5: 1. Controdado 2. Disco a centro depresso 3. Flangia interna 4. Parte di montaggio

Per serrare il controdado, premere con decisione il blocco albero in modo che il mandrino non possa girare, quindi utilizzare la chiave per controdadi e serrare il controdado saldamente in senso orario.

► Fig.6: 1. Chiave per controdadi 2. Blocco albero

Per rimuovere il disco, seguire la procedura di installazione al contrario.

## Installazione o rimozione del disco flessibile

### Accessorio opzionale

**⚠AVVERTIMENTO:** Utilizzare sempre la protezione in dotazione quando il disco flessibile è montato sull'utensile. Il disco potrebbe frantumarsi durante l'uso, e la protezione contribuisce a ridurre il rischio di lesioni personali.

► Fig.7: 1. Controdado 2. Disco flessibile 3. Platorello di sostegno 4. Flangia interna

Seguire le istruzioni per il disco a centro depresso, ma usare anche il platorello di sostegno sopra il disco.

Vedere l'ordine di montaggio nella pagina degli accessori del presente manuale.

## FUNZIONAMENTO

**⚠AVVERTIMENTO:** Non deve essere mai necessario forzare l'utensile. Il peso dell'utensile esercita una pressione adeguata. Qualora si forzi l'utensile e si eserciti una pressione eccessiva, si potrebbe causare una pericolosa rottura del disco.

**⚠AVVERTIMENTO:** Sostituire SEMPRE il disco se l'utensile è caduto durante la molatura.

**⚠AVVERTIMENTO:** Non sbattere MAI il disco o la mola contro il materiale che si lavora né fargli subire colpi.

**⚠AVVERTIMENTO:** Evitare che il disco rimbalzi o resti impigliato, specialmente quando si lavorano angoli, bordi acuti, e così via. Questo potrebbe causare la perdita di controllo e contraccolpi.

**⚠AVVERTIMENTO:** Non utilizzare MAI l'utensile con lame per il taglio del legno e altre lame. Tali lame, se utilizzate su una smerigliatrice, causano spesso contraccolpi e perdite di controllo, che portano a lesioni personali.

**⚠AVVERTIMENTO:** L'utilizzo continuativo di un disco usurato potrebbe risultare nell'esplosione del disco e in gravi lesioni personali.

**⚠ATTENZIONE:** Non accendere mai l'utensile mentre è in contatto con il pezzo in lavorazione, poiché potrebbe causare una lesione personale all'operatore.

**⚠ATTENZIONE:** Indossare sempre occhiali di sicurezza o una visiera durante il lavoro.

**⚠ATTENZIONE:** Dopo l'uso, spegnere sempre l'utensile e attendere l'arresto completo del disco prima di appoggiare l'utensile.

**⚠ATTENZIONE:** Tenere SEMPRE saldamente l'utensile con una mano sull'alloggiamento e l'altra sull'impugnatura laterale (manico).

## Utilizzo con la mola o il disco

### ► Fig.8

Accendere l'utensile e applicare la mola o il disco sul pezzo in lavorazione.  
In generale, mantenere il bordo della mola o del disco a un angolo di circa 15° rispetto alla superficie del pezzo in lavorazione.  
Durante il periodo di rodaggio con una nuova mola, non far funzionare la smerigliatrice nella direzione in avanti; in caso contrario, potrebbe tagliare il pezzo in lavorazione. Dopo che il bordo della mola si è arrotondato con l'uso, può essere utilizzata in entrambe le direzioni in avanti e all'indietro.

## Utilizzo con una spazzola metallica a disco

### Accessorio opzionale

**⚠ATTENZIONE:** Controllare il funzionamento della spazzola metallica a disco facendo girare l'utensile a vuoto, accertandosi che non sia presente alcuna persona davanti o in linea con la spazzola metallica a disco.

**⚠ATTENZIONE:** Non utilizzare una spazzola metallica a disco danneggiata o sbilanciata. Qualora si utilizzi una spazzola metallica a disco danneggiata, si aumenta il rischio potenziale di lesioni personali dovute al contatto con i fili metallici rotti della spazzola.

**⚠ATTENZIONE:** Utilizzare SEMPRE la protezione con le spazzole metalliche a disco, accertandosi che il diametro del disco entri nella protezione. Il disco potrebbe frantumarsi durante l'uso, e la protezione contribuisce a ridurre il rischio di lesioni personali.

### ► Fig.9: 1. Spazzola metallica a disco

Scollare l'utensile dalla presa elettrica e posizionarlo capovolto in modo da consentire un facile accesso al mandrino. Rimuovere eventuali accessori dal mandrino. Avvitare la spazzola metallica a disco sul mandrino e serrarla con le chiavi.

**AVVISO:** Evitare di applicare una pressione eccessiva che faccia piegare troppo i fili metallici quando si utilizza la spazzola metallica a disco. Questo potrebbe portare a una rottura prematura della spazzola.

## Collegamento di un cordino (cinghia di sicurezza)

**⚠Avvertenze di sicurezza specifiche per l'utilizzo in altezza**

Leggere tutte le avvertenze di sicurezza e le istruzioni. La mancata osservanza delle avvertenze e delle istruzioni potrebbe risultare in gravi lesioni personali.

1. **Tenere sempre l'utensile legato con un cordino quando si lavora "in altezza". La lunghezza massima del cordino è di 2 m.**  
L'altezza di caduta massima consentita per il cordino (cinghia di sicurezza) non deve superare i 2 m.

2. **Utilizzare esclusivamente cordini appropriati per questo tipo di utensile e omologati per almeno 4,0 kg.**
3. **Non ancorare il cordino dell'utensile ad alcunché sul proprio corpo o su componenti mobili. Ancorare il cordino dell'utensile a una struttura rigida in grado di sopportare le forze di un utensile caduto.**
4. **Accertarsi che il cordino sia fissato correttamente a ciascuna estremità prima dell'uso.**
5. **Ispezionare l'utensile e il cordino prima di ciascun utilizzo, alla ricerca di eventuali danni e per verificarne il funzionamento corretto (incluso il tessuto e le cuciture). Non utilizzarli in presenza di danni o di funzionamento errato. L'utensile deve essere riparato specialmente quando è visibile una spaccatura o una linea rossa intorno al foro per il cordino.**
6. **Non avvolgere i cordini intorno a bordi affilati o ruvidi, né consentire che entrino in contatto con bordi affilati o ruvidi.**
7. **Fissare l'altra estremità del cordino al di fuori dell'area di lavoro, in modo che un utensile che cada venga mantenuto saldamente.**
8. **Montare il cordino in modo che l'utensile, qualora cada, si allontani dall'operatore. Gli utensili caduti dondolano sul cordino, il che potrebbe causare lesioni personali o perdita di equilibrio.**
9. **Non utilizzarlo in prossimità di parti mobili o macchinari in funzione. La mancata osservanza di questa indicazione potrebbe risultare in uno schiacciamento o nel pericolo che resti impigliato.**
10. **Non trasportare l'utensile mediante il dispositivo di fissaggio o il cordino.**
11. **Passare l'utensile da una mano all'altra solo quando si è correttamente bilanciati.**
12. **Non fissare i cordini all'utensile in un modo che impedisca il corretto funzionamento di protezioni, interruttori o dispositivi di blocco.**
13. **Evitare di restare impigliati nel cordino.**
14. **Tenere il cordino lontano dall'area di taglio dell'utensile.**
15. **Utilizzare un moschettono con ghiera (ad azionamento multiplo e con leva dotata di ghiera a vite). Non utilizzare moschettoni a scatto con clip a molla.**
16. **Nel caso che l'utensile venga fatto cadere, deve essere etichettato e rimosso dal servizio, e dovrebbe venire sottoposto a ispezione presso una fabbrica Makita o un centro di assistenza autorizzato Makita.**
17. **Fissare il cordino solo con un moschettono con ghiera. Non fissare il cordino avvolgendolo ad anello o annodandolo. Non utilizzare corde o cavi.**

### ► Fig.10: 1. Foro per il cordino (cinghia di sicurezza)

## MANUTENZIONE

**⚠ATTENZIONE:** Accertarsi sempre che l'utensile sia spento e scollegato dall'alimentazione elettrica, prima di tentare di eseguire interventi di ispezione o manutenzione.

**AVVISO:** Non utilizzare mai benzina, benzene, solventi, alcol o altre sostanze simili. In caso contrario, si potrebbero causare scolorimenti, deformazioni o crepe.

Per preservare la SICUREZZA e l'AFFIDABILITÀ del prodotto, le riparazioni e qualsiasi altro intervento di manutenzione e di regolazione devono essere eseguiti da un centro di assistenza autorizzato Makita, utilizzando sempre ricambi Makita.

## Pulizia delle aperture di ventilazione

L'utensile e le sue aperture di ventilazione devono essere mantenuti puliti. Pulire le aperture di ventilazione dell'utensile a intervalli regolari, oppure ogni volta che iniziano a ostruirsi.

► **Fig.11:** 1. Apertura di scarico 2. Apertura di aspirazione

## ACCESSORI OPZIONALI

**⚠ATTENZIONE:** Questi accessori o componenti aggiuntivi sono consigliati per l'uso con l'utensile Makita specificato nel presente manuale. L'impiego di altri accessori o componenti aggiuntivi può costituire un rischio di lesioni alle persone. Utilizzare gli accessori o i componenti aggiuntivi solo per il loro scopo prefissato.

Per ottenere ulteriori dettagli relativamente a questi accessori, rivolgersi a un centro di assistenza Makita.

► **Fig.12**

-	Modello da 100 mm	Modello da 115 mm	Modello da 125 mm
1	Impugnatura laterale		
2	Flangia interna	Flangia interna / Super flangia	
3	Disco a centro depresso / disco lamellare		
4	Controdado		
5	Platello di sostegno		
6	Disco flessibile		
7	Spazzola metallica a disco		
-	Chiave per controdadi		
-	Protezioni antipolvere applicabili		

**NOTA:** Alcuni articoli nell'elenco potrebbero essere inclusi nell'imballaggio dell'utensile come accessori standard. Tali articoli potrebbero variare da nazione a nazione.

## TECHNISCHE GEGEVENS

<b>Model:</b>	<b>GA4051R</b>	<b>GA4551R</b>	<b>GA5051R</b>
Schijfdiameter	100 mm (4")	115 mm (4-1/2")	125 mm (5")
Max. schijfdikte	6,4 mm (1/4")	7,2 mm (9/32")	
Asschroefdraad	M10	M14 of 5/8"	
Nominaal toerental (n)	11.000 min <sup>-1</sup>		
Totale lengte	325 mm		
Nettogewicht	2,3 - 2,5 kg	2,5 - 2,7 kg	
Veiligheidsklasse	□/II		

- In verband met ononderbroken research en ontwikkeling behouden wij ons het recht voor bovenstaande technische gegevens te wijzigen zonder voorafgaande kennisgeving.
- De technische gegevens kunnen van land tot land verschillen.
- Het gewicht kan verschillen afhankelijk van de hulpstukken. De lichtste en zwaarste combinatie, volgens EPTA-procedure 01/2014, worden vermeld in de tabel.

### Gebruiksdoeleinden

Dit gereedschap is bedoeld voor slijpen zonder gebruik te maken van water.

### Voeding

Het gereedschap mag alleen worden aangesloten op een voeding van dezelfde spanning als aangegeven op het typeplaatje, en kan alleen worden gebruikt op enkelfase-wisselstroom. Het gereedschap is dubbel-geïsoleerd en kan derhalve ook op een niet-geaard stop-contact worden aangesloten.

### Geluidsniveau

De typische, A-gewogen geluidsniveaus zijn gemeten volgens EN60745-2-3:

Model	Geluidsdrukniveau (L <sub>pA</sub> ): (dB (A))	Geluidsvermogniveau (L <sub>WA</sub> ): (dB (A))	Onzekerheid (K): (dB (A))
GA4051R	91	102	3
GA4551R	91	102	3
GA5051R	91	102	3

**OPMERKING:** De opgegeven geluidsemissiewaarde(n) is/zijn gemeten volgens een standaardtestmethode en kan/kunnen worden gebruikt om dit gereedschap te vergelijken met andere gereedschappen.

**OPMERKING:** De opgegeven geluidsemissiewaarde(n) kan/kunnen ook worden gebruikt voor een beoordeling vooraf van de blootstelling.

**⚠ WAARSCHUWING:** Draag gehoorbescherming.

**⚠ WAARSCHUWING:** De geluidsemissie tijdens het gebruik van het elektrisch gereedschap in de praktijk kan verschillen van de opgegeven waarde(n) afhankelijk van de manier waarop het gereedschap wordt gebruikt, met name van het soort werkstuk waarmee wordt gewerkt.

**⚠ WAARSCHUWING:** Zorg ervoor dat veiligheidsmaatregelen worden getroffen ter bescherming van de gebruiker die zijn gebaseerd op een schatting van de blootstelling onder praktijkomstandigheden (rekening houdend met alle fasen van de bedrijfscyclus, zoals de tijdsduur gedurende welke het gereedschap is uitgeschakeld en stationair draait, naast de ingeschakelde tijdsduur).



## Trilling

De totale trillingswaarde (triaxiale vectorsom) zoals vastgesteld volgens EN60745-2-3:

### Gebruikstoepassing: slijpen van oppervlakken met normale zijhandgreep

Model	Trillingsemisatie ( $a_{h, AG}$ ): ( $m/s^2$ )	Onzekerheid (K): ( $m/s^2$ )
GA4051R	6,5	1,5
GA4551R	7,0	1,5
GA5051R	7,5	1,5

### Gebruikstoepassing: slijpen van oppervlakken met trillingsdempende zijhandgreep

Model	Trillingsemisatie ( $a_{h, AG}$ ): ( $m/s^2$ )	Onzekerheid (K): ( $m/s^2$ )
GA4051R	5,5	1,5
GA4551R	7,0	1,5
GA5051R	8,5	1,5

### Gebruikstoepassing: schuren met schijf met normale zijhandgreep

Model	Trillingsemisatie ( $a_{h, AG}$ ): ( $m/s^2$ )	Onzekerheid (K): ( $m/s^2$ )
GA4051R	2,5 $m/s^2$ of lager	1,5
GA4551R	2,5	1,5
GA5051R	2,5 $m/s^2$ of lager	1,5

### Gebruikstoepassing: schuren met schijf met trillingsdempende zijhandgreep

Model	Trillingsemisatie ( $a_{h, AG}$ ): ( $m/s^2$ )	Onzekerheid (K): ( $m/s^2$ )
GA4051R	2,5 $m/s^2$ of lager	1,5
GA4551R	2,5 $m/s^2$ of lager	1,5
GA5051R	2,5 $m/s^2$ of lager	1,5

**OPMERKING:** De totale trillingswaarde(n) is/zijn gemeten volgens een standaardtestmethode en kan/kunnen worden gebruikt om dit gereedschap te vergelijken met andere gereedschappen.

**OPMERKING:** De opgegeven totale trillingswaarde(n) kan/kunnen ook worden gebruikt voor een beoordeling vooraf van de blootstelling.

**⚠️ WAARSCHUWING:** De trillingsemisatie tijdens het gebruik van het elektrisch gereedschap in de praktijk kan verschillen van de opgegeven waarde(n) afhankelijk van de manier waarop het gereedschap wordt gebruikt, met name van het soort werkstuk waarmee wordt gewerkt.

**⚠️ WAARSCHUWING:** Zorg ervoor dat veiligheidsmaatregelen worden getroffen ter bescherming van de gebruiker die zijn gebaseerd op een schatting van de blootstelling onder praktijkomstandigheden (rekening houdend met alle fasen van de bedrijfscyclus, zoals de tijdsduur gedurende welke het gereedschap is uitgeschakeld en stationair draait, naast de ingeschakelde tijdsduur).

**⚠️ WAARSCHUWING:** De opgegeven trillingsemisatiewaarde geldt voor de voornaamste toepassingen van het elektrisch gereedschap. Als het elektrisch gereedschap echter voor andere toepassingen wordt gebruikt, kan de trillingsemisatiewaarde daarvoor anders zijn.

## EG-verklaring van conformiteit

### Alleen voor Europese landen

De EG-verklaring van conformiteit is bijgevoegd als Bijlage A bij deze gebruiksaanwijzing.



# VEILIGHEIDSWAARSCHUWINGEN

## Algemene veiligheids waarschuwingen voor elektrisch gereedschap

**⚠ WAARSCHUWING:** Lees alle veiligheids-waarschuwingen, aanwijzingen, afbeeldingen en technische gegevens behorend bij dit elektrische gereedschap aandachtig door. Als u niet alle onderstaande aanwijzingen naleeft, kan dat resulteren in brand, elektrische schokken en/of ernstig letsel.

## Bewaar alle waarschuwingen en instructies om in de toekomst te kunnen raadplegen.

De term "elektrisch gereedschap" in de veiligheidsvoor-schriften duidt op gereedschappen die op stroom van het lichtnet werken (met snoer) of gereedschappen met een accu (snoerloos).

## Veiligheids waarschuwingen voor een slijpmachine

Gemeenschappelijke veiligheids waarschuwingen slijp- en draadborstelwerkzaamheden:

1. **Dit elektrisch gereedschap is bedoeld voor gebruik als slijp- of draadborstelgereedschap. Lees alle veiligheids waarschuwingen, instructies, afbeeldingen en technische gegevens die bij dit elektrisch gereedschap worden geleverd.** Als u nalaat alle onderstaande instructies te volgen, kan dit leiden tot een elektrische schok, brand en/of ernstig letsel.
2. **Werkzaamheden zoals polijsten, schuren en doorslijpen worden niet aangeraden met dit elektrisch gereedschap.** Werkzaamheden waarvoor dit elektrisch gereedschap niet is bedoeld kunnen gevaarlijke situaties opleveren en tot persoonlijk letsel leiden.
3. **Gebruik geen accessoires die niet specifiek zijn ontworpen en aanbevolen door de fabrikant van het gereedschap.** Ook wanneer het accessoire kan worden aangebracht op uw elektrisch gereedschap, is een veilige werking niet gegarandeerd.
4. **Het nominale toerental van het accessoire moet minstens gelijk zijn aan het maximumtoerental vermeld op het elektrisch gereedschap.** Accessoires die met een hoger toerental draaien dan hun nominaal toerental kunnen stuk breken en in het rond vliegen.
5. **De buitendiameter en de dikte van het accessoire moeten binnen het capaciteitsbereik van het elektrisch gereedschap vallen.** Accessoires met verkeerde afmetingen kunnen niet afdoende worden afgeschermd of beheerst.

6. **Als accessoires met schroefdraadbevestiging worden aangebracht, moet de schroefdraad overeenkomen met de asschroefdraad van de slijpmachine. Als accessoires met flensbevestiging worden aangebracht, moet het asgat van het accessoire overeenkomen met de diameter van de pasrand op de flens.** Accessoires die niet overeenkomen met de bevestigingshard-ware van het elektrisch gereedschap, zullen niet gebalanceerd draaien en buitensporig trillen, en kunnen leiden tot verlies van controle over het gereedschap.
7. **Gebruik nooit een beschadigd accessoire. Inspecteer het accessoire, bijvoorbeeld een draadborstel, vóór ieder gebruik op losse of afgebroken draden. Nadat het elektrisch gereedschap of accessoire is gevallen, inspecteert u het op schade of monteert u een onbeschadigd accessoire. Na inspectie en montage van een accessoire, zorgt u ervoor dat u en omstanders niet in het rotatievlak van het accessoire staan, en laat u het elektrisch gereedschap draaien op het maximaal, onbelast toerental gedurende één minuut.** Beschadigde accessoires breken normaal gesproken in stukken gedurende deze testduur.
8. **Draag persoonlijke-veiligheidsmiddelen. Afhankelijk van de toepassing gebruikt u een spatscherm, een beschermende bril of een veiligheidsbril. Al naar gelang de toepassing draagt u een stofmasker, gehoorbeschermers, handschoenen en een werkschort die in staat zijn kleine stukjes slijpsel of werkstukfragmenten te weerstaan.** De oogbescherming moet in staat zijn rondvliegend afval te stoppen dat ontstaat bij de diverse werkzaamheden. Het stofmasker of ademhalingsapparaat moet in staat zijn deeltjes te filteren die ontstaat bij de werkzaamheden. Langdurige blootstelling aan zeer intens geluid kan leiden tot gehoorbeschadiging.
9. **Houd omstanders op veilige afstand van het werkgebied. Iedereen die zich binnen het werkgebied begeeft, moet persoonlijke-veiligheidsmiddelen gebruiken.** Fragmenten van het werkstuk of van een uiteengevallen accessoire kunnen rondvliegen en letsel veroorzaken buiten de onmiddellijk werkomgeving.
10. **Houd elektrisch gereedschap uitsluitend vast aan het geïsoleerde oppervlak van de handgrepen wanneer u werkt op plaatsen waar het slijpaccessoire met verborgen bedrading of zijn eigen snoer in aanraking kan komen.** Wanneer het slijpaccessoire in aanraking komt met onder spanning staande draden, zullen de niet-geïsoleerde metalen delen van het gereedschap onder spanning komen te staan zodat de gebruiker een elektrische schok kan krijgen.
11. **Houd het snoer goed uit de buurt van het ronddraaiende accessoire.** Als u de controle over het gereedschap verliest, kan het snoer worden doorgesneden of bekneld raken, en kan uw hand of arm tegen het ronddraaiende accessoire worden getrokken.
12. **Leg het elektrisch gereedschap nooit neer voordat het accessoire volledig tot stilstand is gekomen.** Het ronddraaiende accessoire kan de ondergrond pakken zodat u de controle over het elektrisch gereedschap verliest.

13. **Laat het elektrisch gereedschap niet draaien terwijl u het naast u draagt.** Als het ronddraaiende accessoire u per ongeluk raakt, kan het verstrikt raken in uw kleding waardoor het accessoire in uw lichaam wordt getrokken.
14. **Maak de ventilatieopeningen van het elektrisch gereedschap regelmatig schoon.** De ventilator van de motor zal het stof de behuizing in trekken, en een grote opeenhoping van metaalslijpsel kan leiden tot elektrisch gevaarlijke situaties.
15. **Gebruik het elektrisch gereedschap niet in de buurt van brandbare materialen.** Vonken kunnen deze materialen doen ontvlammen.
16. **Gebruik geen accessoire die met vloeistof moeten worden gekoeld.** Het gebruik van water of andere vloeibare koelmiddelen kan leiden tot elektrocutie of elektrische schokken.

#### **Terugslag en aanverwante waarschuwingen**

Terugslag is een plotselinge reactie op een beknelde of vastgelopen draaiende schijf, rugschijf, borstel of enig ander accessoire. Beknellen of vastlopen veroorzaakt een snelle stilstand van het draaiende accessoire dat op zijn beurt ertoe leidt dat het elektrisch gereedschap zich ongecontroleerd beweegt in de tegenovergestelde richting van de draairichting van het accessoire op het moment van vastlopen.

Bijvoorbeeld, als een slijpschijf bekneld raakt of vastloopt in het werkstuk, kan de rand van de schijf die het beknellingspunt ingaat, zich invreten in het oppervlak van het materiaal waardoor de schijf eruit klimt of eruit slaat. De schijf kan daarbij naar de gebruiker toe of weg springen, afhankelijk van de draairichting van de schijf op het beknellingspunt. Slijpschijven kunnen in dergelijke situaties ook breken.

Terugslag is het gevolg van misbruik van het elektrisch gereedschap en/of onjuiste gebruiksprocedures of omstandigheden, en kan worden voorkomen door goede voorzorgsmaatregelen te treffen, zoals hieronder vermeld:

1. **Houd het elektrisch gereedschap stevig vast en houd uw armen en lichaam zodanig dat u in staat bent een terugslag op te vangen.** Gebruik altijd de extra handgreep (indien aanwezig) voor een maximale controle over het gereedschap in geval van terugslag en de koppelreactiekrachten bij het starten. De gebruiker kan een terugslag of de koppelreactiekrachten opvangen indien de juiste voorzorgsmaatregelen worden getroffen.
2. **Plaats uw hand nooit in de buurt van het draaiende accessoire.** Het accessoire kan terugslaan over uw hand.
3. **Plaats uw lichaam niet in het gebied waar het elektrisch gereedschap naar toe gaat wanneer een terugslag optreedt.** Een terugslag zal het gereedschap bewegen in de tegenovergestelde richting van de draairichting van de schijf op het moment van beknellen.
4. **Wees bijzonder voorzichtig bij het werken met hoeken, scherpe randen, enz. Voorkom dat het accessoire springt of bekneld raakt.** Hoeken, scherpe randen of springen veroorzaken vaak beknellen van het draaiende accessoire wat leidt tot terugslag of verlies van controle over het gereedschap.

5. **Bevestig geen zaagketting, houtbewerkingsblad of getand zaagblad.** Dergelijke bladen leiden vaak tot terugslag of verlies van controle over het gereedschap.

#### **Veiligheidswaarschuwingen specifiek voor slijpwerkzaamheden:**

1. **Gebruik uitsluitend schijven van het type aanbevolen voor uw elektrisch gereedschap en de specifieke beschermkap voor de te gebruiken schijf.** Schijven waarvoor het elektrisch gereedschap niet is ontworpen, kunnen niet goed worden afgeschermd en zijn niet veilig.
2. **Het slijpoppervlak van schijven met een verzonken middengat moet bij het aanbrengen lager liggen dan het vlak van de beschermrand.** Bij een onjuist aangebrachte schijf die boven het vlak van de beschermrand uitsteekt is geen goede bescherming mogelijk.
3. **De beschermkap moet stevig worden vastgezet aan het elektrisch gereedschap en in de maximaal beschermende stand worden gezet zodat het kleinste mogelijke deel van de schijf is blootgesteld in de richting van de gebruiker.** De beschermkap dient om de gebruiker te beschermen tegen aanraking met de schijf, stukjes die daarvan af breken en vonken die brandgevaar voor kleding opleveren.
4. **Schijven mogen uitsluitend worden gebruikt voor de aanbevolen toepassingen.**
5. **Gebruik altijd onbeschadigde schijfflensen van de juiste afmetingen en vorm voor de te gebruiken schijf.** Een goede schijfflens ondersteunt de schijf en verkleint daarmee de kans op het breken van de schijf.
6. **Gebruik geen deels afgesleten schijven van grotere elektrische gereedschappen.** Schijven die zijn bedoeld voor grotere elektrische gereedschappen zijn niet geschikt voor de hogere snelheid van een kleiner elektrisch gereedschap en kunnen in stukken breken.

#### **Veiligheidswaarschuwingen specifiek voor draadborstelwerkzaamheden:**

1. **Wees erop bedacht dat ook tijdens normaal gebruik borstelraden door de borstel worden rondgeslingerd. Oefen niet te veel kracht uit op de borstelraden door een te hoge belasting van de borstel.** De borstelraden kunnen met gemak door dunne kleding en/of de huid dringen.
2. **Als het gebruik van een beschermkap wordt aanbevolen voor draadborstelen, zorgt u ervoor dat de draadschijf of draadborstel niet in aanraking komt met de beschermkap.** De draadschijf of draadborstel kan in diameter toemenen als gevolg van de werkbelasting en centrifugale krachten.

#### **Aanvullende veiligheidswaarschuwingen:**

1. **Bij gebruik van een slijpschijf met een verzonken middengat, mag u uitsluitend met glasvezel versterkte schijven gebruiken.**
2. **GEBRUIK NOOIT een stenen komschijf op deze slijpmachine.** Deze slijpmachine is niet ontworpen voor dit type schijven en het gebruik ervan kan leiden tot ernstig persoonlijk letsel.

3. Let erop dat u de as, de flens (met name de montagekant) en de borgmoer niet beschadigt. Als deze onderdelen beschadigd raken, kan de schijf breken.
4. Zorg ervoor dat de schijf niet in aanraking is met het werkstuk voordat u het gereedschap hebt ingeschakeld.
5. Laat gereedschap een tijdje draaien voordat u het op het werkstuk gaat gebruiken. Controleer op trillingen of schommelingen die op onjuiste montage of een slecht uitgebalanceerd schijf kunnen wijzen.
6. Gebruik de aangegeven kant van de schijf om mee te slijpen.
7. Laat het gereedschap niet ingeschakeld liggen. Schakel het gereedschap alleen in wanneer u het vasthoudt.
8. Raak het werkstuk niet onmiddellijk na bewerking aan. Het kan bijzonder heet zijn en brandwonden op uw huid veroorzaken.
9. Raak accessoires niet onmiddellijk na bewerking aan. Deze kunnen bijzonder heet zijn en brandwonden op uw huid veroorzaken.
10. Houd u aan de instructies van de fabrikant voor het juist aanbrengen en gebruiken van de schijven. Behandel de schijven voorzichtig en berg deze met zorg op.
11. Gebruik geen afzonderlijke verloopbussen of adapters om slijpschijven met een groot asgat aan dit gereedschap aan te passen.
12. Gebruik uitsluitend flenzen die geschikt zijn voor dit gereedschap.
13. Voor gereedschap waarop schijven met een geschroefd asgat dienen aangebracht te worden, moet u ervoor zorgen dat de schroefdraad in de schijf lang genoeg is zodat de as helemaal erin gaat.
14. Zorg ervoor dat het werkstuk goed ondersteund is.
15. Houd er rekening mee dat de schijf nog een tijdje blijft draaien nadat het gereedschap is uitgeschakeld.
16. Indien de werkplaats uiterst warm en vochtig is, of erg verontreinigd is met geleidend stof, gebruikt u een kortsluitstroomonderbreker (30 mA) om de veiligheid van de gebruiker te verzekeren.
17. Gebruik het gereedschap niet op materialen die asbest bevatten.
18. Draag geen stoffen werkhandschoenen tijdens gebruik van dit gereedschap. Vezels van stoffen handschoenen kunnen binnendringen in het gereedschap waardoor het gereedschap defect kan raken.

## BEWAAR DEZE INSTRUCTIES.

**⚠ WAARSCHUWING:** Laat u NIET misleiden door een vals gevoel van comfort en bekendheid met het gereedschap (na veelvuldig gebruik) en neem alle veiligheidsvoorschriften van het betreffende gereedschap altijd strikt in acht. **VERKEERD GEBRUIK** of het niet naleven van de veiligheidsvoorschriften in deze gebruiksaanwijzing kan leiden tot ernstig persoonlijk letsel.

## BESCHRIJVING VAN DE FUNCTIES

**⚠ LET OP:** Controleer altijd of het gereedschap is uitgeschakeld en de stekker ervan uit het stopcontact is verwijderd alvorens de functies op het gereedschap te controleren of af te stellen.

### Asvergrendeling

Druk de asvergrendeling in om te voorkomen dat de as meedraait wanneer u accessoires aanbrengt of verwijderd.

► Fig.1: 1. Asvergrendeling

**KENNISGEVING:** Bedien de asvergrendeling nooit terwijl de as draait. Het gereedschap kan hierdoor worden beschadigd.

### Werkning van de schakelaar

**⚠ LET OP:** Controleer altijd, voordat u de stekker in het stopcontact steekt, of de trekkerschakelaar op de juiste manier schakelt en weer terugkeert naar de uit-stand nadat deze is losgelaten.

**⚠ LET OP:** Knijp de aan-uitschakelaar niet met grote kracht in zonder de uit-vergrendelknop te bedienen. De schakelaar kan kapot gaan.

Om te voorkomen dat de aan-uitschakelaar per ongeluk wordt ingeknepen, is een uit-vergrendelknop aangebracht. Om het gereedschap te starten, trekt u de uit-vergrendelknop in de richting van de gebruiker en knijpt u vervolgens de aan-uitschakelaar in. Laat de aan-uitschakelaar los om het gereedschap te stoppen.

► Fig.2: 1. Uit-vergrendelknop 2. Aan-uitschakelaar

### Beveiliging tegen onbedoeld inschakelen

Het gereedschap kan niet worden ingeschakeld terwijl de aan-uitschakelaar wordt ingeknepen, ondanks dat het gereedschap van stroom wordt voorzien. Om het gereedschap te starten, laat u eerst de aan-uitschakelaar los. Trek daarna eerst aan de uit-vergrendelknop in en knijp vervolgens de aan-uitschakelaar in.

**OPMERKING:** Wanneer de beveiliging tegen onbedoeld inschakelen in werking is, wacht u minstens één seconde voordat u het gereedschap weer inschakelt.

### Zachte-startfunctie

De zachte-startfunctie voorkomt abrupt schoksgewijs inschakelen.

## MONTAGE

**⚠ LET OP:** Zorg altijd dat het gereedschap is uitgeschakeld en dat zijn stekker uit het stopcontact is verwijderd alvorens enig werk aan het gereedschap uit te voeren.

### De zijhandgreep (handvat) monteren

**⚠ LET OP:** Controleer altijd voor gebruik of de zijhandgreep stevig vastzit.

Draai de zijhandgreep vast op het gereedschap in een van de standen aangegeven in de afbeelding.

► Fig.3

### De hoek van de beschermkap aanpassen

**⚠ WAARSCHUWING:** Zorg ervoor dat de beschermkap goed vergrendeld wordt door de vergrendelhendel in een van de gaten in de beschermkap.

De hoek van de beschermkap kan worden ingesteld. Terwijl u tegen de vergrendelhendel duwt, draait u de beschermkap in de richting B om de hoek van de beschermkap te veranderen overeenkomstig de werkzaamheden zodat de gebruiker wordt beschermd. Lijn de vergrendelhendel uit met één van de gaten in de beschermkap en laat daarna de vergrendelhendel los om de beschermkap te vergrendelen.

► Fig.4: 1. Beschermkap 2. Gat

### Een schijf met een verzonken middengat of een lamellenschijf aanbrengen en verwijderen

#### Optioneel accessoire

**⚠ WAARSCHUWING:** Bij gebruik van een schijf met een verzonken middengat of een lamellenschijf, moet de beschermkap zodanig op het gereedschap worden aangebracht dat de gesloten zijde van de kap altijd naar de gebruiker is gekeerd.

**⚠ LET OP:** Zorg ervoor dat de pasrand van de binnenflens perfect past in de binnendiameter van de schijf met een verzonken middengat of lamellenschijf. Als u de binnenflens met de verkeerde zijkant aanbrengt, kunnen gevaarlijke trillingen het gevolg zijn.

Breng de binnenflens aan op de as. Zorg ervoor dat het ingedeukte deel van de binnenflens wordt aangebracht op het rechte deel onderaan de as. Pas de schijf met een verzonken middengat of lamellenschijf op de binnenflens en draai de borgmoer op de as vast.

► Fig.5: 1. Borgmoer 2. Schijf met een verzonken middengat 3. Binnenflens 4. Pasrand

Om de borgmoer vast te draaien, drukt u de asvergrendeling stevig in zodat de as niet kan draaien, en gebruikt u vervolgens de borgmoersleutel om de borgmoer stevig rechtsom vast te draaien.

► Fig.6: 1. Borgmoersleutel 2. Asvergrendeling

Om de schijf te verwijderen, volgt u de procedure in omgekeerde volgorde.

## Een flexischijf aanbrengen of verwijderen

#### Optioneel accessoire

**⚠ WAARSCHUWING:** Gebruik altijd de bijgeleverde beschermkap wanneer een flexischijf op het gereedschap is aangebracht. De schijf kan tijdens het gebruik kapotslaan en de beschermkap helpt om persoonlijk letsel te voorkomen.

► Fig.7: 1. Borgmoer 2. Flexischijf 3. Rugschijf 4. Binnenflens

Houd u aan de instructies voor een schijf met een verzonken middengat, maar gebruik tevens een rugschijf onder de schijf. Raadpleeg de volgorde van aanbrengen op de accessoire-pagina in deze gebruiksaanwijzing.

## BEDIENING

**⚠ WAARSCHUWING:** Het is in geen geval ooit nodig om grote druk op het gereedschap uit te oefenen. Het gewicht van het gereedschap oefent voldoende druk uit. Forceren of te grote druk uitoefenen kan ertoe leiden dat de schijf breekt, hetgeen gevaarlijk is.

**⚠ WAARSCHUWING:** Vervang **ALTIJD** de schijf als het gereedschap tijdens het slijpen is gevallen.

**⚠ WAARSCHUWING:** Laat **NOOIT** de slijpschijf of de schijf met kracht op uw werkstuk terecht komen.

**⚠ WAARSCHUWING:** Voorkom dat de schijf springt of bekneld raakt, met name bij het werken rond hoeken, scherpe randen enz. Dat kan leiden tot terugslag of verlies van controle over het gereedschap.

**⚠ WAARSCHUWING:** Gebruik dit gereedschap **NOOIT** met houtzagen en andere zaagbladen. Zulke zaagbladen op een slijpmachine leiden vaak tot terugslag of verlies van controle over het gereedschap, wat kan leiden tot persoonlijk letsel.

**⚠ WAARSCHUWING:** Als u een versleten schijf blijft gebruiken, kan de schijf exploderen met ernstig persoonlijk letsel tot gevolg.

**⚠ LET OP:** Schakel nooit het gereedschap in terwijl dat het werkstuk al raakt omdat hierdoor letsel kan worden veroorzaakt bij de gebruiker.

**⚠ LET OP:** Draag tijdens gebruik altijd een veiligheidsbril of spatscherm.

**⚠ LET OP:** Schakel na gebruik altijd het gereedschap uit en wacht tot de schijf helemaal tot stilstand is gekomen voordat u het gereedschap neerlegt.

**⚠ LET OP:** Houd het gereedschap **ALTIJD** stevig vast met één hand op de behuizing en de andere hand aan de zijhandgreep (handvat).

## Gebruik met een schijf

### ► Fig.8

Schakel het gereedschap in en breng daarna de schijf op/in het werkstuk.

In het algemeen geldt: houd de rand van de schijf onder een hoek van ongeveer 15° op het oppervlak van het werkstuk.

Tijdens de inlooptijd van een nieuwe schijf mag u de slijpmachine niet in voorwaartse richting bewegen omdat deze anders in het werkstuk kan 'invreten'. Pas nadat de rand van de schijf door slijtage is afgerond, mag u de schijf in zowel voorwaartse als achterwaartse richting gebruiken.

## Gebruik met een schijfvormige draadborstel

### Optioneel accessoire

**⚠ALLET OP:** Controleer de werking van de schijfvormige draadborstel door het gereedschap onbelast te laten draaien terwijl u erop let dat niemand vóór of in één lijn met de schijfvormige draadborstel staat.

**⚠ALLET OP:** Gebruik de schijfvormige draadborstel niet wanneer deze beschadigd is of onbalans heeft. Het gebruik van een beschadigde schijfvormige draadborstel verhoogt de kans op verwonding door aanraking van afgebroken borsteldraden.

**⚠ALLET OP:** Gebruik bij de schijfvormige draadborstel ALTIJD de beschermkap, waarbij de buitendiameter van de schijfvormige draadborstel binnenin de beschermkap moet vallen. De schijf kan tijdens het gebruik kapotslaan en de beschermkap helpt om persoonlijk letsel te voorkomen.

### ► Fig.9: 1. Schijfvormige draadborstel

Trek de stekker van het netsnoer uit het stopcontact en plaats het gereedschap ondersteboven zodat de as goed toegankelijk is.

Verwijder alle accessoires vanaf de as. Draai de schijfvormige draadborstel op de as en zet deze vast met de bijgeleverde sleutel.

**KENNISGEVING:** Voorkom tijdens gebruik van de draadborstel te veel druk waardoor de draden van de schijfvormige draadborstel te veel verbuigen. Dit kan leiden tot voortijdig afbreken.

## Een touw (tuiriem) bevestigen

**⚠Veiligheidswaarschuwingen specifiek voor werken op hoogte**

Lees alle veiligheidswaarschuwingen en alle instructies. Het niet volgen van de waarschuwingen en instructies kan leiden tot ernstig letsel.

1. Houd het gereedschap altijd vastgebonden tijdens het werken 'op hoogte'. De maximale lengte van het touw is 2 m. De maximaal toegestane valhoogte van het touw (tuiriem) mag niet meer zijn dan 2 meter.

2. Gebruik uitsluitend met een touw dat geschikt is voor dit type gereedschap en een draagvermogen heeft van minstens 4,0 kg.
3. Veranker het touw van het gereedschap niet aan iets op uw lichaam of aan een verplaatsbaar voorwerp. Veranker het touw van het gereedschap aan een stevige constructie die de krachten van een vallend gereedschap kan opvangen.
4. Verzeker u er vóór gebruik van dat het touw goed is vastgemaakt aan beide uiteinden.
5. Inspecteer het gereedschap en touw vóór elk gebruik op beschadigingen en correcte werking (inclusief het materiaal en de stiksels). Gebruik het niet wanneer het beschadigd is of niet correct werkt. Het gereedschap moet worden gerepareerd, met name wanneer een barst of rode lijn verschijnt rondom het gat voor het touw.
6. Wikkel touwen niet rondom scherpe of ruwe randen en laat ze er niet mee in aanraking komen.
7. Bevestig het andere uiteinde van het touw buiten het werkgebied zodat een vallend gereedschap stevig bevestigd blijft.
8. Bevestig het touw zodanig dat het gereedschap tijdens het vallen zich verwijderd van de gebruiker. Een gereedschap dat valt zal aan het touw slingeren, waardoor letsel kan worden veroorzaakt of u uw evenwicht kunt verliezen.
9. Gebruik niet nabij bewegende onderdelen of draaiende machines. Als u zich hier niet aan houdt, kan dat leiden tot beknellingsgevaar of verstrikkingsgevaar.
10. Draag het gereedschap niet aan de bevestigingsvoorziening of het touw.
11. Verplaats het gereedschap uitsluitend tussen uw handen terwijl u een goed evenwicht hebt.
12. Bevestig een touw niet aan het gereedschap op een manier waardoor beschermkappen, schakelaars of uit-vergrendelingen niet correct kunnen werken.
13. Voorkom dat u verstrikt raakt in het touw.
14. Houd het touw uit de buurt van het snij- of zaaggebied van het gereedschap.
15. Gebruik een karabijnhaak met vergrendeling (multiactie- en schroefsluiting-type). Gebruik geen enkelvoudige karabijnhaken met veersluiting.
16. In het geval een gereedschap valt, moet het worden gelabeld en buiten bedrijf gesteld, en moet het worden geïnspecteerd door de Makita-fabriek of een Makita-servicecentrum.
17. Bevestig het touw uitsluitend met behulp van een karabijnhaak met vergrendeling. Bevestig het touw niet door middel van een lus of knoop. Gebruik geen koord.

### ► Fig.10: 1. Gat voor touw (tuiriem)

## ONDERHOUD

**⚠ LET OP:** Zorg altijd dat het gereedschap is uitgeschakeld en zijn stekker uit het stopcontact is verwijderd alvorens te beginnen met inspectie of onderhoud.

**KENNISGEVING:** Gebruik nooit benzine, wasbenzine, thinner, alcohol en dergelijke. Hierdoor kunnen verkleuring, vervormingen en barsten worden veroorzaakt.

Om de VEILIGHEID en BETROUWBAARHEID van het gereedschap te handhaven, dienen alle reparaties, onderhoud of afstellingen te worden uitgevoerd bij een erkend Makita-servicecentrum of de Makita-fabriek, en altijd met gebruik van Makita-vervangingsonderdelen.

## De ventilatieopeningen schoonmaken

Zorg dat het gereedschap en de ventilatieopeningen steeds goed schoon blijven. Maak regelmatig de ventilatieopeningen schoon en let goed op dat ze niet verstopt raken.

► Fig.11: 1. Luchtuitlaatopening 2. Luchtinlaatopening

## OPTIONELE ACCESSOIRES

**⚠ LET OP:** Deze accessoires of hulpstukken worden aanbevolen voor gebruik met het Makita gereedschap dat in deze gebruiksaanwijzing is beschreven. Bij gebruik van andere accessoires of hulpstukken bestaat het gevaar van persoonlijke letsels. Gebruik de accessoires of hulpstukken uitsluitend voor hun bestemde doel.

Wenst u meer bijzonderheden over deze accessoires, neem dan contact op met het plaatselijke Makita-servicecentrum.

► Fig.12

-	Model voor 100 mm	Model voor 115 mm	Model voor 125 mm
1	Zijhandgreep		
2	Binnenflens	Binnenflens of superflens	
3	Schijf met een verzonken middengat of lamellenschijf		
4	Borgmoer		
5	Rugschijf		
6	Flexischijf		
7	Schijfvormige draadborstel		
-	Borgmoersleutel		
-	Stoffilter		

**OPMERKING:** Sommige items op de lijst kunnen zijn inbegrepen in de doos van het gereedschap als standaard toebehoren. Deze kunnen van land tot land verschillen.



## ESPECIFICACIONES

Modelo:	GA4051R	GA4551R	GA5051R
Diámetro de la muela	100 mm (4")	115 mm (4-1/2")	125 mm (5")
Grosor máx. de la muela	6,4 mm (1/4")	7,2 mm (9/32")	
Rosca de mandril	M10	M14 o 5/8"	
Velocidad especificada (n)	11.000 min <sup>-1</sup>		
Longitud total	325 mm		
Peso neto	2,3 - 2,5 kg	2,5 - 2,7 kg	
Clase de seguridad	□/II		

- Debido a nuestro continuado programa de investigación y desarrollo, las especificaciones aquí dadas están sujetas a cambios sin previo aviso.
- Las especificaciones pueden ser diferentes de país a país.
- El peso puede variar dependiendo del accesorio(s). La combinación menos pesada y la más pesada, de acuerdo con el procedimiento EPTA 01/2014, se muestran en la tabla.

### Uso previsto

La herramienta ha sido prevista para esmerilar sin la utilización de agua.

### Alimentación

La herramienta deberá ser conectada solamente a una fuente de alimentación de la misma tensión que la indicada en la placa de características, y solamente puede ser utilizada con alimentación de CA monofásica. La herramienta tiene doble aislamiento y puede, por lo tanto, utilizarse también en tomas de corriente sin conductor de tierra.

### Ruido

El nivel de ruido A-ponderado típico determinado de acuerdo con la norma EN60745-2-3:

Modelo	Nivel de presión del sonido (L <sub>pa</sub> ) : (dB (A))	Nivel de potencia del sonido (L <sub>wa</sub> ) : (dB (A))	Incertidumbre (K) : (dB (A))
GA4051R	91	102	3
GA4551R	91	102	3
GA5051R	91	102	3

**NOTA:** El valor (o los valores) de emisión de ruido declarado ha sido medido de acuerdo con un método de prueba estándar y se puede utilizar para comparar una herramienta con otra.

**NOTA:** El valor (o valores) de emisión de ruido declarado también se puede utilizar en una valoración preliminar de exposición.

**⚠ ADVERTENCIA:** Póngase protectores para oídos.

**⚠ ADVERTENCIA:** La emisión de ruido durante la utilización real de la herramienta eléctrica puede variar del valor (o los valores) de emisión declarado dependiendo de las formas en las que la herramienta sea utilizada, especialmente qué tipo de pieza de trabajo se procesa.

**⚠ ADVERTENCIA:** Asegúrese de identificar medidas de seguridad para proteger al operario que estén basadas en una estimación de la exposición en las condiciones reales de utilización (teniendo en cuenta todas las partes del ciclo operativo como las veces cuando la herramienta está apagada y cuando está funcionando en vacío además del tiempo de gatillo).

## Vibración

El valor total de la vibración (suma de vectores triaxiales) determinado de acuerdo con la norma EN60745-2-3:

### Modo de tarea: esmerilado superficial con empuñadura lateral normal

Modelo	Emisión de vibración ( $a_{hv, AG}$ ) : (m/s <sup>2</sup> )	Incertidumbre (K) : (m/s <sup>2</sup> )
GA4051R	6,5	1,5
GA4551R	7,0	1,5
GA5051R	7,5	1,5

### Modo de tarea: esmerilado superficial con empuñadura lateral antivibratoria

Modelo	Emisión de vibración ( $a_{hv, AG}$ ) : (m/s <sup>2</sup> )	Incertidumbre (K) : (m/s <sup>2</sup> )
GA4051R	5,5	1,5
GA4551R	7,0	1,5
GA5051R	8,5	1,5

### Modo de tarea: lijado con disco con empuñadura lateral normal

Modelo	Emisión de vibración ( $a_{hv, AG}$ ) : (m/s <sup>2</sup> )	Incertidumbre (K) : (m/s <sup>2</sup> )
GA4051R	2,5 m/s <sup>2</sup> o menos	1,5
GA4551R	2,5	1,5
GA5051R	2,5 m/s <sup>2</sup> o menos	1,5

### Modo de tarea: lijado con disco con empuñadura lateral antivibratoria

Modelo	Emisión de vibración ( $a_{hv, AG}$ ) : (m/s <sup>2</sup> )	Incertidumbre (K) : (m/s <sup>2</sup> )
GA4051R	2,5 m/s <sup>2</sup> o menos	1,5
GA4551R	2,5 m/s <sup>2</sup> o menos	1,5
GA5051R	2,5 m/s <sup>2</sup> o menos	1,5

**NOTA:** El valor (o los valores) total de emisión de vibración declarado ha sido medido de acuerdo con un método de prueba estándar y se puede utilizar para comparar una herramienta con otra.

**NOTA:** El valor (o los valores) total de emisión de vibración declarado también se puede utilizar en una valoración preliminar de exposición.

**⚠ ADVERTENCIA:** La emisión de vibración durante la utilización real de la herramienta eléctrica puede variar del valor (o los valores) de emisión declarado dependiendo de las formas en las que la herramienta sea utilizada, especialmente qué tipo de pieza de trabajo se procesa.

**⚠ ADVERTENCIA:** Asegúrese de identificar medidas de seguridad para proteger al operario que estén basadas en una estimación de la exposición en las condiciones reales de utilización (teniendo en cuenta todas las partes del ciclo operativo como las veces cuando la herramienta está apagada y cuando está funcionando en vacío además del tiempo de gatillo).

**⚠ ADVERTENCIA:** El valor de emisión de vibración declarado se utiliza para las aplicaciones principales de la herramienta eléctrica. Sin embargo, si la herramienta eléctrica es utilizada para otras aplicaciones, el valor de emisión de vibración podrá ser diferente.

## Declaración CE de conformidad

### Para países europeos solamente

La declaración CE de conformidad está incluida como Anexo A de esta manual de instrucciones.

## ADVERTENCIAS DE SEGURIDAD

### Advertencias de seguridad para herramientas eléctricas en general

**⚠ ADVERTENCIA:** Lea todas las advertencias de seguridad, instrucciones, ilustraciones y especificaciones provistas con esta herramienta eléctrica. Si no sigue todas las instrucciones indicadas abajo podrá resultar en una descarga eléctrica, un incendio y/o heridas graves.



## Guarde todas las advertencias e instrucciones para futuras referencias.

El término "herramienta eléctrica" en las advertencias se refiere a su herramienta eléctrica de funcionamiento con conexión a la red eléctrica (con cable) o herramienta eléctrica de funcionamiento a batería (sin cable).

### Advertencias de seguridad para la esmeriladora

#### Advertencias de seguridad comunes para operaciones de esmerilado y cepillado con alambres:

1. **Esta herramienta eléctrica ha sido prevista para funcionar como esmeriladora o cepillo de alambres. Lea todas las advertencias de seguridad, instrucciones, ilustraciones y especificaciones provistas con esta herramienta eléctrica.** Si no sigue todas las instrucciones indicadas abajo podrá resultar en una descarga eléctrica, un incendio y/o heridas graves.
2. **Operaciones tales como las de pulir, lijar y cortar no se recomienda realizarlas con esta herramienta eléctrica.** Las operaciones para las que la herramienta eléctrica no ha sido diseñada podrán crear un riesgo y ocasionar heridas personales.
3. **No utilice accesorios que no estén específicamente diseñados y recomendados por el fabricante de la herramienta.** Solo porque el accesorio pueda ser colocado en su herramienta eléctrica no garantiza una operación segura.
4. **La velocidad especificada del accesorio deberá ser por lo menos igual a la máxima velocidad marcada en la herramienta eléctrica.** Los accesorios utilizados por encima de su velocidad especificada podrán romperse y salir despedidos.
5. **El diámetro exterior y el grosor de su accesorio deberán estar dentro del rango de capacidad de su herramienta eléctrica.** Los accesorios de tamaño incorrecto no podrán ser protegidos y controlados debidamente.
6. **El montaje a rosca de los accesorios deberá coincidir con la rosca de mandril de la esmeriladora. Para accesorios montados con bridas, el orificio para eje del accesorio deberá encajar en el diámetro de ubicación de la brida.** Los accesorios que no coincidan con el mecanismo de montaje de la herramienta eléctrica se desequilibrarán, vibrarán excesivamente y podrán ocasionar una pérdida de control.
7. **No utilice un accesorio que esté dañado. Antes de cada utilización inspeccione el accesorio tal como el cepillo de alambres por si tiene alambres flojos o agrietadas. Si deja caer la herramienta eléctrica o el accesorio, inspeccione por si hay daños o instale un accesorio que no esté dañado. Después de inspeccionar e instalar un accesorio, póngase usted y cualquier curioso alejados del plano del accesorio giratorio y haga funcionar la herramienta eléctrica a la máxima velocidad sin carga durante un minuto.** Los accesorios dañados normalmente se desintegrarán durante este tiempo de prueba.

8. **Póngase equipo de protección personal.** Dependiendo de la aplicación, utilice pantalla facial, gafas de protección o gafas de seguridad. Según corresponda, póngase mascarilla contra el polvo, protectores auditivos, guantes y delantal de taller que pueda detener pequeños fragmentos abrasivos o de pieza de trabajo. La protección de los ojos deberá poder detener los desechos despedidos generados en distintas operaciones. La mascarilla contra el polvo o respirador deberá poder filtrar las partículas generadas por la operación que realice. Una exposición prolongada a ruido de alta intensidad podrá ocasionar pérdida auditiva.
9. **Mantenga a los curiosos a una distancia segura del área de trabajo. Cualquier persona que entre en el área de trabajo deberá ponerse equipo de protección personal.** Los fragmentos de la pieza de trabajo o de un accesorio roto podrán salir despedidos y ocasionar heridas más allá del área de operación.
10. **Cuando realice una operación en la que la herramienta de corte pueda entrar en contacto con cableado oculto o con su propio cable, sujete la herramienta eléctrica por las superficies de asimiento aisladas.** El contacto del accesorio de corte con un cable con corriente hará que la corriente circule por las partes metálicas expuestas de la herramienta eléctrica y podrá soltar una descarga eléctrica al operario.
11. **Coloque el cable apartado del accesorio giratorio.** Si pierde el control, el cable podrá ser cortado o enredarse y su mano o brazo ser arrastrado hacia el accesorio giratorio.
12. **No deje nunca la herramienta eléctrica hasta que el accesorio se haya detenido completamente.** El accesorio giratorio podrá agarrarse a la superficie y tirar de la herramienta eléctrica haciéndole perder el control de la misma.
13. **No tenga en marcha la herramienta eléctrica mientras la trasporta en su costado.** Un contacto accidental con el accesorio giratorio podrá enredar sus ropas, y atraer el accesorio hacia su cuerpo.
14. **Limpie regularmente las aberturas de ventilación de la herramienta eléctrica.** El ventilador del motor conducirá el polvo hacia el interior de la carcasa y una acumulación excesiva de metal en polvo podrá ocasionar peligros eléctricos.
15. **No utilice la herramienta eléctrica cerca de materiales inflamables.** Las chispas podrán prender fuego a estos materiales.
16. **No utilice accesorios que requieran refrigerantes líquidos.** La utilización de agua u otros refrigerantes líquidos podrá resultar en una electrocución o descarga eléctrica.

#### Advertencias sobre retrocesos bruscos y otros peligros relacionados

El retroceso brusco es una reacción repentina debida a un aprisionamiento o estancamiento de la muela giratoria, plato de respaldo, cepillo o cualquier otro accesorio giratorio. El aprisionamiento o estancamiento ocasiona un detenimiento rápido del accesorio giratorio que a su vez hace que la herramienta eléctrica descontrolada sea forzada en dirección opuesta a la rotación del accesorio en el punto de bloqueo.

Por ejemplo, si una muela abrasiva queda aprisionada o estancada por la pieza de trabajo, el borde de la muela que está entrando en el punto de estancamiento puede hincarse en la superficie del material haciendo que la muela se salga de la hendidura o salte. La muela podrá saltar hacia el operario o en dirección contraria a él, dependiendo de la dirección del movimiento de la muela en el punto de estancamiento. Las muelas abrasivas también podrán romperse en estas condiciones. El retroceso brusco es el resultado de un mal manejo de la herramienta eléctrica y/o procedimientos o condiciones de operación incorrectos y pueden evitarse tomando las precauciones apropiadas ofrecidas abajo.

1. **Mantenga empuñada firmemente la herramienta eléctrica y coloque su cuerpo y brazo de forma que le permitan resistir las fuerzas del retroceso brusco. Utilice siempre el mango auxiliar, si está provisto, para tener el máximo control sobre el retroceso brusco o reacción de torsión durante la puesta en marcha.** El operario puede controlar las reacciones de torsión o fuerzas del retroceso brusco, si toma las precauciones adecuadas.
2. **No ponga nunca su mano cerca del accesorio giratorio.** El accesorio podrá retroceder bruscamente sobre su mano.
3. **No ponga su cuerpo en el área donde vaya a desplazarse la herramienta eléctrica si ocurre un retroceso brusco.** El retroceso brusco propulsará la herramienta en dirección opuesta al movimiento de la muela en el punto del enredo.
4. **Tenga cuidado especial cuando trabaje en esquinas, bordes cortantes, etc. Evite que el accesorio rebote o se enrede.** Las esquinas, bordes cortantes o los rebotes tienen una tendencia a enredar el accesorio giratorio y causar una pérdida de control o retroceso brusco.
5. **No coloque una cadena de sierra, un disco de tallar madera o un disco de sierra dentado.** Tales discos crean retrocesos bruscos y pérdida de control frecuentes.

#### **Advertencias de seguridad específicas para operaciones de esmerilado:**

1. **Utilice solamente tipos de muela que estén recomendadas para su herramienta eléctrica y el protector específico diseñado para la muela seleccionada.** Las muelas para las que no ha sido diseñada la herramienta eléctrica no pueden ser protegidas debidamente y no son seguras.
2. **La superficie para esmerilar de las muelas de centro hundido deberá estar montada por debajo del plano de la falda del protector.** Una muela mal montada que sobresalga a través del plano de la falda del protector no estará bien protegida.
3. **El protector deberá estar colocado firmemente en la herramienta eléctrica y posicionado para ofrecer la máxima seguridad, de forma que hacia el operario quede expuesta la mínima parte de muela.** El protector ayuda a proteger al operario de fragmentos de una muela rota, de un contacto accidental con la muela y de chispas que pueden prender fuego a sus ropas.
4. **Las muelas deberán ser utilizadas solamente para aplicaciones recomendadas.**
5. **Utilice siempre bridas de muela que no estén dañadas, y del tamaño y forma correctos para la muela que ha seleccionado.** Las bridas de muela correctas sujetan la muela de tal manera que reducen la posibilidad de rotura de la muela.

6. **No utilice muelas desgastadas de otras herramientas eléctricas más grandes.** Las muelas previstas para herramientas eléctricas más grandes no son apropiadas para la máxima velocidad de una herramienta más pequeña y pueden reventarla.

#### **Advertencias de seguridad específicas para operaciones de cepillado con alambres:**

1. **Sea consciente de que el cepillo lanza hebras de alambre incluso durante una operación normal. No fatigue los alambres aplicando una carga excesiva al cepillo.** Las hebras de alambre pueden penetrar la ropa ligera y/o la piel fácilmente.
2. **Si se recomienda utilizar un protector para el cepillado con alambres, no permita ninguna interferencia del disco o el cepillo de alambres con el protector.** El disco o el cepillo de alambres podrán expandir su diámetro debido a la carga del trabajo y las fuerzas centrífugas.

#### **Advertencias de seguridad adicionales:**

1. **Cuando utilice muelas de esmerilar de centro hundido, asegúrese de utilizar solamente muelas reforzadas con fibra de vidrio.**
2. **NO UTILICE NUNCA muelas de tipo copa de piedra con esta esmeriladora.** Esta esmeriladora no ha sido diseñada para estos tipos de muelas y la utilización de un producto como ese podrá resultar en graves heridas personales.
3. **Tenga cuidado de no dañar el mandril, la brida (especialmente la cara de instalación) o la contratuercia.** Los daños en estas piezas podrán ocasionar la rotura de la muela.
4. **Asegúrese de que la muela no está haciendo contacto con la pieza de trabajo antes de activar el interruptor.**
5. **Antes de utilizar la herramienta en una pieza de trabajo definitiva, déjela funcionar durante un rato.** Observe por si hay vibración o bamboleo que pueda indicar una incorrecta instalación o muela mal equilibrada.
6. **Utilice la superficie especificada de la muela para realizar el esmerilado.**
7. **No deje la herramienta en marcha.** Tenga en marcha la herramienta solamente cuando la tenga en la mano.
8. **No toque la pieza de trabajo inmediatamente después de la operación; podrá estar muy caliente y quemarle la piel.**
9. **No toque los accesorios inmediatamente después de la operación; podrán estar muy calientes y quemarle la piel.**
10. **Observe las instrucciones del fabricante para montar y utilizar correctamente las muelas. Maneje y guarde con cuidado las muelas.**
11. **No utilice bujes de reducción o adaptadores separados para adaptar muelas abrasivas de orificio grande.**
12. **Utilice solamente las bridas especificadas para esta herramienta.**
13. **Para herramientas que han sido previstas para ser equipadas con muelas de orificio roscado, asegúrese de que la rosca de la muela sea lo suficientemente larga como para aceptar la longitud del mandril.**
14. **Compruebe que la pieza de trabajo está apoyada debidamente.**
15. **Tenga en cuenta que la muela continuará girando después de haber apagado la herramienta.**

16. Si el lugar de trabajo es muy caluroso y húmedo, o si está muy contaminado con polvo conductor, utilice un disyuntor de cortocircuito (30 mA) para garantizar la seguridad del operario.
17. No utilice la herramienta con ningún material que contenga asbestos.
18. No utilice guantes de trabajo de tejido durante la operación. Las fibras del tejido pueden entrar en la herramienta, lo que ocasionará la rotura de la herramienta.

## GUARDE ESTAS INSTRUCCIONES.

**⚠ADVERTENCIA:** NO deje que la comodidad o familiaridad con el producto (a base de utilizarlo repetidamente) sustituya la estricta observancia de las normas de seguridad para el producto en cuestión. El MAL USO o el no seguir las normas de seguridad establecidas en este manual de instrucciones podrá ocasionar graves heridas personales.

## DESCRIPCIÓN DEL FUNCIONAMIENTO

**⚠PRECAUCIÓN:** Asegúrese siempre de que la herramienta está apagada y desenchufada antes de intentar realizar cualquier tipo de ajuste o comprobación en ella.

### Bloqueo del eje

Presione el bloqueo del eje para impedir que el mandril gire cuando instale o desmonte accesorios.

► Fig.1: 1. Bloqueo del eje

**AVISO:** No accione nunca el bloqueo del eje cuando el mandril esté moviéndose. Podrá dañar la herramienta.

### Accionamiento del interruptor

**⚠PRECAUCIÓN:** Antes de enchufar la herramienta, compruebe siempre para cerciorarse de que el gatillo interruptor se acciona debidamente y que vuelve a la posición "OFF" cuando lo suelta.

**⚠PRECAUCIÓN:** No apriete con fuerza el interruptor de palanca sin presionar el botón de desbloqueo. El interruptor podrá romperse.

Para evitar que el interruptor de palanca sea apretado accidentalmente, se ha provisto una palanca de desbloqueo. Para poner en marcha la herramienta, tire de la palanca de desbloqueo hacia el operario y después apriete el interruptor de palanca. Suelte el interruptor de palanca para parar.

► Fig.2: 1. Palanca de desbloqueo 2. Interruptor de palanca

## Seguro de puesta en marcha involuntaria

La herramienta no se pondrá en marcha mientras se presiona el interruptor de palanca aunque la herramienta esté enchufada. Para poner en marcha la herramienta, primero suelte el interruptor de palanca. Después apriete la palanca de desbloqueo, y apriete el interruptor de palanca.

**NOTA:** Espere más de un segundo antes de volver a poner en marcha la herramienta cuando esté funcionando el seguro de puesta en marcha involuntaria.

## Función de inicio suave

La función de inicio suave reduce la reacción del arranque.

## MONTAJE

**⚠PRECAUCIÓN:** Asegúrese siempre de que la herramienta está apagada y desenchufada antes de realizar cualquier trabajo en la herramienta.

### Instalación de la empuñadura lateral (mango)

**⚠PRECAUCIÓN:** Antes de la operación, asegúrese siempre de que la empuñadura lateral está instalada firmemente.

Rosque la empuñadura lateral firmemente en la posición de la herramienta mostrada en la figura.

► Fig.3

### Ajuste del ángulo del protector de muela

**⚠ADVERTENCIA:** Asegúrese de que el protector de muela está bloqueado firmemente por medio de la palanca de bloqueo con uno de los orificios del protector de muela.

El ángulo del protector de muela se puede ajustar. Mientras presiona la palanca de bloqueo, gire el protector de muela hacia B, y después, cambie el ángulo del protector de muela de acuerdo con la tarea de forma que el operario pueda estar protegido. Alinee la palanca de bloqueo con uno de los agujeros del protector de muela, y después libere la palanca de bloqueo para bloquear el protector de muela.

► Fig.4: 1. Protector de muela 2. Orificio

## Instalación o desmontaje de una muela de centro hundido o disco flap

### Accesorios opcionales

**⚠ADVERTENCIA:** Cuando se utilice una muela de centro hundido o disco flap, el protector de muela deberá estar instalado en la herramienta de tal forma que el lado cerrado del protector siempre quede orientado hacia el operario.

**⚠PRECAUCIÓN:** Asegúrese de que la parte de montaje de la brida interior encaje en el diámetro interior de la muela de centro hundido / disco flap perfectamente. El montar la brida interior en el lado incorrecto puede resultar en una vibración peligrosa.

Monte la brida interior en el mandril.

Asegúrese de encajar la parte dentada de la brida interior en la parte recta de la parte inferior del mandril.

Encaje la muela de centro hundido / disco flap en la brida interior y rosque la contratuerca en el mandril.

► **Fig.5:** 1. Contratuerca 2. Muela de centro hundido 3. Brida interior 4. Parte de montaje

Para apretar la contratuerca, presione el bloqueo del eje firmemente para que el mandril no pueda girar, después apriete firmemente hacia la derecha utilizando la llave de contratuerca.

► **Fig.6:** 1. Llave de contratuerca 2. Bloqueo del eje

Para desmontar la muela, siga el procedimiento de instalación a la inversa.

## Instalación o desmontaje de un disco flexible

### Accesorios opcionales

**⚠ADVERTENCIA:** Utilice siempre el protector suministrado cuando haya un disco flexible en la herramienta. El disco puede desintegrarse durante la utilización y el protector ayuda a reducir las posibilidades de que se produzcan heridas personales.

► **Fig.7:** 1. Contratuerca 2. Disco flexible 3. Plato de respaldo 4. Brida interior

Siga las instrucciones para muela de centro hundido pero también utilice un plato de respaldo sobre la muela. Vea el orden de montaje en la página de accesorios de este manual.

## OPERACIÓN

**⚠ADVERTENCIA:** No deberá ser nunca necesario forzar la herramienta. El peso de la herramienta aplica la presión adecuada. El forzamiento y la presión excesiva pueden ocasionar una peligrosa rotura de la muela.

**⚠ADVERTENCIA:** Reemplace la muela SIEMPRE si deja caer la herramienta mientras esmerila.

**⚠ADVERTENCIA:** No lance ni golpee NUNCA el disco o muela de esmerilar contra la pieza de trabajo.

**⚠ADVERTENCIA:** Evite los rebotes y enganches de la muela, especialmente cuando trabaje en esquinas, bordes cortantes, etc. Esto puede ocasionar la pérdida del control y retrocesos bruscos.

**⚠ADVERTENCIA:** No utilice NUNCA esta herramienta con discos para cortar madera y otros discos de sierra. Los discos de ese tipo cuando se utilizan en una esmeriladora con frecuencia ocasionan retrocesos bruscos y pérdida del control que acarrearán heridas personales.

**⚠ADVERTENCIA:** Si se continúa utilizando una muela desgastada podrá resultar en una explosión de la muela y heridas personales graves.

**⚠PRECAUCIÓN:** No encienda nunca la herramienta cuando esta está en contacto con la pieza de trabajo, podría ocasionar heridas al operario.

**⚠PRECAUCIÓN:** Póngase siempre gafas de protección o máscara facial durante la operación.

**⚠PRECAUCIÓN:** Después de la operación, apague siempre la herramienta y espere hasta que la muela se haya parado completamente antes de dejar la herramienta.

**⚠PRECAUCIÓN:** Sujete SIEMPRE la herramienta firmemente con una mano en la carcasa y la otra en la empuñadura lateral (mango).

## Operación con la muela/disco

► **Fig.8**

Encienda la herramienta y después aplique la muela o el disco a la pieza de trabajo.

En general, mantenga el borde de la muela o disco a un ángulo de unos 15° con la superficie de la pieza de trabajo.

Durante el periodo de uso inicial de una muela nueva, no trabaje con la esmeriladora en dirección hacia adelante porque podrá cortar la pieza de trabajo. Una vez que el borde de la muela se haya redondeado con el uso, se podrá trabajar con la muela en las direcciones hacia adelante y hacia atrás.

## Operación con cepillo circular de alambres

### Accesorios opcionales

**⚠️ PRECAUCIÓN:** Compruebe la operación del cepillo circular de alambres haciendo funcionar la herramienta sin carga, asegurándose de que no haya nadie enfrente ni en línea con el cepillo circular de alambres.

**⚠️ PRECAUCIÓN:** No utilice un cepillo circular de alambres que esté dañado o desequilibrado. La utilización de un cepillo circular de alambres dañado podrá aumentar la posibilidad de heridas causadas por el contacto con alambres rotos.

**⚠️ PRECAUCIÓN:** Utilice SIEMPRE el protector con cepillos circulares de alambres, asegurándose de que el diámetro del cepillo encaje dentro del protector. El cepillo puede desintegrarse durante la utilización y el protector ayuda a reducir las posibilidades de que se produzcan heridas personales.

#### ► Fig.9: 1. Cepillo circular de alambres

Desenchufe la herramienta y póngala al revés para permitir un acceso fácil al mandril. Quite cualquier accesorio que haya en el mandril. Rosque el cepillo circular de alambres en el mandril y apriételo con las llaves.

**AVISO:** Evite aplicar presión excesiva que haga doblar demasiado los alambres cuando utilice el cepillo circular de alambres. Podrá acarrear una rotura prematura.

## Conexión del acollador (correa de amarre)

**⚠️ Advertencias de seguridad específicas para utilización en altura**

Lea todas las advertencias de seguridad e instrucciones. Si no sigue las advertencias e instrucciones podrá resultar en heridas graves.

1. Mantenga siempre atada la herramienta cuando trabaje "en altura". La longitud máxima del acollador es de 2 m. La altura de caída máxima permisible para el acollador (correa de amarre) no debe exceder los 2 m.
2. Utilice solamente con acolladores apropiados para este tipo de herramienta y con capacidad para al menos 4,0 kg.
3. No amarre el acollador de la herramienta a ninguna parte de su cuerpo ni a componentes móviles. Amarre el acollador de la herramienta a una estructura rígida que pueda soportar las fuerzas de una herramienta que se caiga.
4. Asegúrese de que el acollador está sujeto debidamente en cada extremo antes de utilizar.
5. Inspeccione la herramienta y el acollador antes de cada utilización por si están dañados y para comprobar que funcionan correctamente (incluidos el tejido y la costura). No los utilice si están dañados o no funcionan debidamente. La herramienta deberá ser reparada especialmente cuando aparezca una grieta o una línea roja alrededor del orificio para el acollador.

6. No enrolle los acolladores ni permita que entren en contacto con bordes cortantes o ásperos.
7. Amarre el otro extremo del acollador fuera del área de trabajo de forma que si la herramienta se cae sea sujeta firmemente.
8. Sujete el acollador de forma que si la herramienta se cae lo haga alejándose del operario. Las herramientas dejadas caer se balancearán en el acollador, lo que podrá ocasionar heridas o pérdida del equilibrio.
9. No utilice cerca de partes en movimiento o maquinaria en marcha. De lo contrario, podrá resultar en un riesgo de aplastamiento o enredo.
10. No transporte la herramienta cogiéndola por el dispositivo de sujeción o el acollador.
11. Transfiera la herramienta entre sus manos solamente mientras se encuentre equilibrado debidamente.
12. No sujete los acolladores a la herramienta de una manera que impidan a los protectores, interruptores o bloqueos funcionar debidamente.
13. Evite enredarse en el acollador.
14. Mantenga el acollador alejado del área de corte de la herramienta.
15. Utilice un mosquetón con cierre de seguridad (tipo acción múltiple y cierre de rosca). No utilice mosquetones con pestillo de resorte de acción simple.
16. En el caso de que la herramienta se caiga, se deberá etiquetar y poner fuera de servicio, y deberá ser inspeccionada en una fábrica Makita o en un centro de servicio autorizado.
17. Coloque el acollador solamente con un mosquetón con cierre de seguridad. No coloque el acollador haciendo un lazo o anudando el acollador. No utilice cuerdas o cordones.

#### ► Fig.10: 1. Orificio para acollador (correa de amarre)

## MANTENIMIENTO

**⚠️ PRECAUCIÓN:** Asegúrese siempre de que la herramienta está apagada y desenchufada antes de intentar realizar la inspección o el mantenimiento.

**AVISO:** No utilice nunca gasolina, bencina, disolvente, alcohol o similares. Podría producir descoloración, deformación o grietas.

Para mantener la SEGURIDAD y FIABILIDAD del producto, las reparaciones, y cualquier otra tarea de mantenimiento o ajuste deberán ser realizadas en centros de servicio o de fábrica autorizados por Makita, empleando siempre repuestos Makita.

## Limpieza de las aberturas de ventilación

La herramienta y sus aberturas de ventilación han de mantenerse limpias. Limpie las aberturas de ventilación de la herramienta regularmente o siempre que comiencen a estar obstruidas.

► **Fig.11:** 1. Abertura de salida de aire 2. Abertura de entrada de aire

## ACCESORIOS OPCIONALES

**⚠ PRECAUCIÓN:** Estos accesorios o aditamentos están recomendados para su uso con la herramienta Makita especificada en este manual. El uso de cualquier otro accesorio o aditamento puede suponer un riesgo de heridas personales. Utilice el accesorio o aditamento solamente con la finalidad indicada para el mismo.

Si necesita cualquier ayuda para más detalles en relación con estos accesorios, pregunte al centro de servicio Makita local.

► **Fig.12**

-	Modelo de 100 mm	Modelo de 115 mm	Modelo de 125 mm
1	Empuñadura lateral		
2	Brida interior	Brida interior / Súper brida	
3	Muela de centro hundido / disco flap		
4	Contratuercas		
5	Plato de respaldo		
6	Disco flexible		
7	Cepillo circular de alambres		
-	Llave de contratuercas		
-	Accesorio guardapolvo		

**NOTA:** Algunos elementos de la lista podrán estar incluidos en el paquete de la herramienta como accesorios estándar. Pueden variar de un país a otro.

## ESPECIFICAÇÕES

Modelo:	GA4051R	GA4551R	GA5051R
Diâmetro da roda	100 mm (4")	115 mm (4-1/2")	125 mm (5")
Espessura máxima da roda	6,4 mm (1/4")	7,2 mm (9/32")	
Rosca do eixo	M10	M14 ou 5/8"	
Velocidade nominal (n)	11.000 min <sup>-1</sup>		
Comprimento total	325 mm		
Peso líquido	2,3 - 2,5 kg	2,5 - 2,7 kg	
Classe de segurança	□/II		

- Devido a um programa contínuo de pesquisa e desenvolvimento, estas especificações podem ser alteradas sem aviso prévio.
- As especificações podem variar de país para país.
- O peso poderá diferir em função do(s) acessório(s). A combinação mais leve e a mais pesada, de acordo com o Procedimento EPTA 01/2014, são apresentadas na tabela.

### Utilização a que se destina

A ferramenta serve para esmerilar sem utilizar água.

### Alimentação

A ferramenta só deve ser ligada a uma fonte de alimentação com a mesma tensão da indicada na placa de características, e só funciona com alimentação de corrente alternada (CA) monofásica. Tem um sistema de isolamento duplo e pode, por isso, utilizar tomadas sem ligação à terra.

### Ruído

A característica do nível de ruído A determinado de acordo com a EN60745-2-3:

Modelo	Nível de pressão sonora ( $L_{pA}$ ) : (dB (A))	Nível de potência sonora ( $L_{WA}$ ) : (dB (A))	Incerteza (K): (dB (A))
GA4051R	91	102	3
GA4551R	91	102	3
GA5051R	91	102	3

**NOTA:** O(s) valor(es) da emissão de ruído indicado(s) foi medido de acordo com um método de teste padrão e pode ser utilizado para comparar duas ferramentas.

**NOTA:** O(s) valor(es) da emissão de ruído indicado(s) pode também ser utilizado na avaliação preliminar da exposição.

**⚠ AVISO:** Utilize protetores auriculares.

**⚠ AVISO:** A emissão de ruído durante a utilização real da ferramenta elétrica pode diferir do(s) valor(es) indicado(s), dependendo das formas como a ferramenta é utilizada, especialmente o tipo de peça de trabalho que é processada.

**⚠ AVISO:** Certifique-se de identificar as medidas de segurança para proteção do operador que sejam baseadas em uma estimativa de exposição em condições reais de utilização (considerando todas as partes do ciclo de operação, tal como quando a ferramenta está desligada e quando está a funcionar em marcha lenta além do tempo de acionamento).

### Vibração

Valor total da vibração (soma vetorial tri-axial) determinado de acordo com a EN60745-2-3:

**Modo de trabalho:** esmerilagem de superfície com punho lateral normal

Modelo	Emissão de vibração ( $a_{hv, AD}$ ) : (m/s <sup>2</sup> )	Incerteza (K): (m/s <sup>2</sup> )
GA4051R	6,5	1,5
GA4551R	7,0	1,5
GA5051R	7,5	1,5



## Modo de trabalho: esmerilagem de superfície com punho lateral anti-vibração

Modelo	Emissão de vibração ( $a_{hv, AG}$ ): ( $m/s^2$ )	Incerteza (K): ( $m/s^2$ )
GA4051R	5,5	1,5
GA4551R	7,0	1,5
GA5051R	8,5	1,5

## Modo de trabalho: lixagem de disco com punho lateral normal

Modelo	Emissão de vibração ( $a_{hv, AG}$ ): ( $m/s^2$ )	Incerteza (K): ( $m/s^2$ )
GA4051R	2,5 $m/s^2$ ou menos	1,5
GA4551R	2,5	1,5
GA5051R	2,5 $m/s^2$ ou menos	1,5

## Modo de trabalho: lixagem de disco com punho lateral anti-vibração

Modelo	Emissão de vibração ( $a_{hv, AG}$ ): ( $m/s^2$ )	Incerteza (K): ( $m/s^2$ )
GA4051R	2,5 $m/s^2$ ou menos	1,5
GA4551R	2,5 $m/s^2$ ou menos	1,5
GA5051R	2,5 $m/s^2$ ou menos	1,5

**NOTA:** O(s) valor(es) total(ais) de vibração indicado(s) foi medido de acordo com um método de teste padrão e pode ser utilizado para comparar duas ferramentas.

**NOTA:** O(s) valor(es) total(ais) de vibração indicado(s) pode também ser utilizado na avaliação preliminar da exposição.

**⚠️ AVISO:** A emissão de vibração durante a utilização real da ferramenta elétrica pode diferir do(s) valor(es) indicado(s), dependendo das formas como a ferramenta é utilizada, especialmente o tipo de peça de trabalho que é processada.

**⚠️ AVISO:** Certifique-se de identificar as medidas de segurança para proteção do operador que sejam baseadas em uma estimativa de exposição em condições reais de utilização (considerando todas as partes do ciclo de operação, tal como quando a ferramenta está desligada e quando está a funcionar em marcha lenta além do tempo de acionamento).

**⚠️ AVISO:** O valor de emissão de vibração declarado é utilizado para aplicações principais da ferramenta elétrica. No entanto, se a ferramenta elétrica for utilizada para outras aplicações, o valor da emissão da vibração pode ser diferente.

## Declaração de conformidade da CE

### Apenas para os países europeus

A declaração de conformidade da CE está incluída como Anexo A neste manual de instruções.

## AVISOS DE SEGURANÇA

### Avisos gerais de segurança para ferramentas elétricas

**⚠️ AVISO:** Leia todos os avisos de segurança, instruções, ilustrações e especificações fornecidos com esta ferramenta elétrica. O não cumprimento de todas as instruções indicadas em baixo pode resultar em choque elétrico, incêndio e/ou ferimentos graves.

## Guarde todos os avisos e instruções para futuras referências.

O termo "ferramenta elétrica" nos avisos refere-se às ferramentas elétricas ligadas à corrente elétrica (com cabo) ou às ferramentas elétricas operadas por meio de bateria (sem cabo).

## Avisos de segurança para a esmeriladora

**Avisos de segurança comuns para as operações de esmerilagem ou com a escova de arame:**

- Esta ferramenta elétrica foi concebida para funcionar como esmeriladora ou escova de arame. Leia todos os avisos de segurança, instruções, ilustrações e especificações fornecidos com esta ferramenta.** O não seguimento de todas as instruções que se seguem pode resultar em choque elétrico, incêndio e/ou ferimentos graves.
- As operações como o polimento, a lixagem e o corte não são recomendadas para serem realizadas com esta ferramenta elétrica.** As operações diferentes daquelas para as quais a ferramenta foi projetada podem criar situações perigosas e provocar ferimentos ao operador.
- Não utilize acessórios que não tenham sido especificamente projetados e recomendados pelo fabricante da ferramenta.** O facto de poder instalar o acessório na ferramenta elétrica não garante um funcionamento com segurança.
- A velocidade nominal do acessório deve ser pelo menos igual à velocidade máxima indicada na ferramenta elétrica.** Os acessórios que funcionam em velocidade mais alta do que a velocidade nominal podem partir e estilhaçar.



5. **O diâmetro externo e a espessura do acessório devem estar dentro da capacidade nominal da ferramenta elétrica.** Não é possível resguardar ou controlar adequadamente os acessórios de tamanho incorreto.
  6. **A montagem roscada dos acessórios tem de corresponder à rosca do eixo da esmeriladora. Em relação aos acessórios montados por flanges, o orifício do veio do acessório deve encaixar no diâmetro guia da flange.** Os acessórios que não correspondem ao hardware de instalação da ferramenta elétrica ficam desequilibrados, vibram excessivamente e podem provocar perda de controlo.
  7. **Não utilize acessórios danificados. Antes de cada utilização, inspecione o acessório, como a escova de arame, quanto a fios soltos ou rachados. Se a ferramenta elétrica ou o acessório cair, verifique se há danos ou instale um acessório em boas condições. Após inspecionar e instalar um acessório, certifique-se de que os espetadores bem como você mesmo estão afastados do nível do acessório rotativo, e utilize a ferramenta elétrica à velocidade máxima em vazio durante um minuto.** Geralmente, os acessórios danificados partem-se durante este ensaio.
  8. **Utilize equipamento de proteção pessoal. Dependendo da aplicação, utilize um protetor facial, óculos de segurança ou de proteção. Conforme adequado, utilize uma máscara contra o pó, protetores auriculares, luvas e avental capazes de resguardar contra pequenos estilhaços ou abrasivos da peça de trabalho.** Os protetores oculares devem ter capacidade para resguardar contra fragmentos volantes gerados por diversas operações. A máscara contra o pó ou de respiração deve ter capacidade de filtrar partículas geradas pela operação. A exposição prolongada a ruídos de alta intensidade pode provocar perda de audição.
  9. **Mantenha os espetadores a uma distância segura da área de trabalho. Todas as pessoas que entram na área de trabalho devem utilizar equipamento de proteção pessoal.** Os estilhaços da peça de trabalho ou de um acessório partido podem ser arremessados e provocar ferimentos além da área imediata de operação.
  10. **Segure a ferramenta apenas pelas partes isoladas quando executar uma operação em que o acessório de corte possa tocar em fios ocultos ou no seu próprio cabo.** O contacto do acessório de corte com um fio com corrente pode levar a corrente às peças metálicas expostas da ferramenta elétrica e pode provocar um choque elétrico no operador.
  11. **Posicione o cabo afastado do acessório rotativo.** Se perder o controlo, o cabo pode ser cortado ou ficar preso e a sua mão ou braço pode ser puxado para o acessório em rotação.
  12. **Nunca pose a ferramenta elétrica antes de o acessório parar completamente.** O acessório rotativo pode enganchar na superfície e descontrolar a ferramenta.
  13. **Não utilize a ferramenta elétrica enquanto a carga ao seu lado.** O contacto accidental com o acessório rotativo pode prender as suas roupas, puxando o acessório na direção do seu corpo.
  14. **Limpe regularmente os orifícios de ventilação da ferramenta elétrica.** A ventoinha do motor aspira o pó para dentro da caixa e a acumulação excessiva de metal pulverizado pode provocar perigos elétricos.
  15. **Não utilize a ferramenta elétrica próximo de materiais inflamáveis.** As faíscas podem incendiar estes materiais.
  16. **Não utilize acessórios que requerem refrigerantes líquidos.** A utilização de água ou outros refrigerantes líquidos pode resultar em choque ou eletrocussão.
- Avisos sobre recuos e outras relacionadas**
- O recuo é uma reação repentina a uma roda rotativa, uma base protetora, uma escova ou qualquer outro acessório preso ou emperrado. O bloqueio ou obstáculo provoca a paragem imediata do acessório rotativo que, por sua vez, faz com que a ferramenta elétrica descontrolada seja forçada a ir na direção oposta à da rotação do acessório, no ponto onde ficou presa. Se a roda abrasiva ficar presa ou enroscada na peça de trabalho, por exemplo, a borda da roda que está a entrar no ponto onde prendeu, pode entrar ainda mais fundo na superfície do material fazendo com que a roda salte ou provoque um recuo. A roda pode saltar na direção do operador ou na direção oposta, dependendo do sentido do movimento da roda no ponto em que ficou presa. As rodas abrasivas também podem partir nessas condições.
- O recuo é o resultado da utilização imprópria da ferramenta elétrica e/ou das condições ou procedimentos de funcionamento incorretos e pode ser evitado tomando-se as medidas de precaução adequadas, como indicado abaixo.
1. **Segure firmemente a ferramenta elétrica e posicione o seu corpo e braço de tal forma que lhe permitam resistir às forças do recuo. Utilize sempre o punho auxiliar, se fornecido, para um controlo máximo do recuo ou da reação de binário durante o arranque.** O operador poderá controlar as reações de binário ou as forças do recuo se tomar as precauções necessárias.
  2. **Nunca coloque as mãos perto do acessório rotativo.** O acessório pode recuar sobre a sua mão.
  3. **Não posicione o seu corpo na área em que a ferramenta elétrica será lançada, caso ocorra um recuo.** O recuo lança a ferramenta na direção oposta ao movimento da roda no ponto onde prende.
  4. **Tenha cuidado quando trabalhar em cantos, arestas cortantes, etc. Evite balançar e prender o acessório.** Os cantos, as arestas cortantes ou as batidas tendem a prender o acessório rotativo e causar perda de controlo ou recuo.
  5. **Não instale uma corrente de serra, uma lâmina para esculpir madeira nem uma lâmina de serra dentada.** Essas lâminas criam recuos frequentes e perda de controlo.

#### **Avisos de segurança específicos para as operações de esmerilagem:**

1. **Utilize apenas os tipos de rodas recomendadas para a sua ferramenta elétrica e o resguardo específico designado para a roda selecionada.** As rodas incompatíveis com a ferramenta elétrica são impossíveis de resguardar adequadamente e não são seguras.
2. **A superfície de esmerilação das rodas com centro rebaixado deve estar montada abaixo do plano do bordo de resguardo.** Uma roda montada incorretamente que sobressai através do plano do bordo de resguardo não pode ser devidamente protegida.
3. **O resguardo deve ser instalado firmemente na ferramenta elétrica e posicionado para máxima segurança, de forma que o mínimo da roda fique exposta na direção do operador.** O resguardo ajuda a proteger o operador contra fragmentos partidos da roda, contacto accidental com a roda e faíscas que podem incendiar as roupas.
4. **As rodas devem ser utilizadas apenas para as aplicações recomendadas.**
5. **Utilize sempre flanges da roda em boas condições, e que sejam do tamanho e formato corretos para a roda selecionada.** As flanges apropriadas suportam a roda reduzindo, assim, a possibilidade de quebra da roda.
6. **Não utilize rodas desgastadas de ferramentas elétricas maiores.** As rodas projetadas para ferramentas elétricas maiores não são apropriadas para a velocidade mais elevada de uma ferramenta menor e podem rebentar.

#### **Avisos de segurança específicos para as operações com a escova de arame:**

1. **Lembre-se que a escova lança filamentos de metal, mesmo durante uma operação normal. Não sujeite os filamentos de metal a esforço excessivo aplicando uma carga excessiva na escova.** Os filamentos de metal podem penetrar facilmente nas roupas finas e/ou na pele.
2. **Se for recomendada a utilização de um resguardo para operação com a escova de arame, não permita quaisquer interferências da roda ou da escova metálicas com o resguardo.** A roda ou a escova metálicas podem expandir em diâmetro devido à carga de trabalho e às forças centrífugas.

#### **Avisos de segurança adicionais:**

1. **Quando utilizar rodas de esmerilar com centro rebaixado, utilize apenas rodas reforçadas com fibra de vidro.**
2. **NUNCA UTILIZE rodas do tipo copo de pedra com esta esmeriladora.** A esmeriladora não foi concebida para esses tipos de rodas e a utilização deste produto pode resultar em ferimentos pessoais graves.
3. **Tenha cuidado para não danificar o eixo, a flange (especialmente a superfície de instalação) nem a porca de bloqueio.** Os danos nestas peças pode resultar em quebra da roda.
4. **Antes de ligar o interruptor, certifique-se de que a roda não está em contacto com a peça de trabalho.**

5. **Antes de utilizar a ferramenta numa peça de trabalho, deixe-a funcionar por alguns instantes. Verifique se há vibrações ou movimentos irregulares que possam indicar má instalação ou desequilíbrio da roda.**
6. **Utilize a superfície específica da roda para esmerilar.**
7. **Não deixe a ferramenta a funcionar. Opere a ferramenta apenas quando estiver a segurá-la na mão.**
8. **Não toque na peça de trabalho imediatamente após a operação.** Pode estar extremamente quente e provocar queimaduras na sua pele.
9. **Não toque nos acessórios imediatamente após a operação.** Podem estar extremamente quentes e provocar queimaduras na sua pele.
10. **Tenha em conta as instruções do fabricante para a montagem e utilização corretas das rodas.** Manuseie e armazene as rodas com cuidado.
11. **Não utilize buchas de redução ou adaptadores separados para adaptar rodas abrasivas de orifício grande.**
12. **Utilize apenas as flanges especificadas para esta ferramenta.**
13. **Para ferramentas destinadas a serem equipadas com rodas de orifício roscado, certifique-se de que a rosca na roda tem tamanho suficiente para aceitar o comprimento do eixo.**
14. **Verifique se a peça de trabalho está corretamente suportada.**
15. **Preste atenção, pois a roda continua a rodar depois de desligar a ferramenta.**
16. **Se o local de trabalho for extremamente quente e húmido, ou muito poluído por pó condutor, utilize um disjuntor (30 mA) para assegurar a segurança do operador.**
17. **Não utilize a ferramenta em nenhum material que contenha amianto.**
18. **Não utilize luvas de trabalho de pano durante a operação.** As fibras do tecido podem entrar na ferramenta e provocar a quebra da ferramenta.

## **GUARDE ESTAS INSTRUÇÕES.**

**AVISO:** NÃO permita que o conforto ou familiaridade com o produto (adquirido com o uso repetido) substitua o cumprimento estrito das regras de segurança da ferramenta. A MÁ INTERPRETAÇÃO ou o não seguimento das regras de segurança estabelecidas neste manual de instruções pode provocar ferimentos pessoais graves.

## DESCRIÇÃO FUNCIONAL

**⚠️ PRECAUÇÃO:** Certifique-se sempre de que a ferramenta está desligada e com a ficha retirada da tomada, antes de proceder a afinações ou de verificar o funcionamento da respetiva ferramenta.

### Bloqueio do eixo

Pressione o bloqueio do eixo para impedir a rotação do eixo quando instalar ou remover acessórios.

► Fig.1: 1. Bloqueio do eixo

**OBSERVAÇÃO:** Nunca acione o bloqueio do eixo quando o eixo estiver em movimento. A ferramenta pode ficar danificada.

### Ação do interruptor

**⚠️ PRECAUÇÃO:** Antes de ligar a ferramenta à corrente, verifique sempre se o gatilho funciona corretamente e volta para a posição “OFF” quando libertado.

**⚠️ PRECAUÇÃO:** Não puxe a alavanca do interruptor à força sem pressionar o botão de desbloqueio. O interruptor pode partir-se.

Para evitar que a alavanca do interruptor seja puxada acidentalmente, existe uma alavanca de desbloqueio. Para arrancar a ferramenta, puxe a alavanca de desbloqueio na direção do operador e depois puxe a alavanca do interruptor. Liberte a alavanca do interruptor para parar.

► Fig.2: 1. Alavanca de desbloqueio 2. Alavanca do interruptor

### À prova de reinício acidental

A ferramenta não arranca enquanto puxa a alavanca do interruptor, mesmo quando a ferramenta está ligada. Para começar a utilizar a ferramenta, primeiro solte a alavanca do interruptor. Depois, puxe a alavanca de desbloqueio e puxe a alavanca do interruptor.

**NOTA:** Aguarde mais de um segundo antes de reiniciar a ferramenta durante a realização da prova de funcionamento.

### Funcionalidade de arranque suave

A funcionalidade de arranque suave reduz a reação de arranque.

## MONTAGEM

**⚠️ PRECAUÇÃO:** Certifique-se sempre de que a ferramenta está desligada e com a ficha retirada da tomada antes de executar quaisquer trabalhos na ferramenta.

### Instalação do punho lateral (pega)

**⚠️ PRECAUÇÃO:** Certifique-se sempre de que o punho lateral está instalado em segurança antes da operação.

Aparafuse o punho lateral firmemente na posição da ferramenta indicada na figura.

► Fig.3

### Ajustar o ângulo do resguardo da roda

**⚠️ AVISO:** Certifique-se de que o resguardo da roda está firmemente bloqueado pela alavanca de bloqueio com um dos orifícios no resguardo da roda.

O ângulo do resguardo da roda pode ser ajustado. Enquanto empurra a alavanca de bloqueio, rode o resguardo da roda na direção de B e, em seguida, altere o ângulo do resguardo da roda de acordo com o trabalho de modo a poder proteger o operador. Alinhe a alavanca de bloqueio com um dos orifícios no resguardo da roda e, em seguida, solte a alavanca de bloqueio para bloquear o resguardo da roda.

► Fig.4: 1. Resguardo da roda 2. Orifício

### Instalar ou remover a roda com centro rebaixado ou o disco de aba

#### Acessório opcional

**⚠️ AVISO:** Quando utilizar uma roda com centro rebaixado ou um disco de aba, o resguardo da roda tem de estar instalado na ferramenta para que o lado fechado do resguardo aponte sempre em direção ao operador.

**⚠️ PRECAUÇÃO:** Certifique-se de que a peça de montagem da flange interior encaixa perfeitamente dentro do diâmetro interno da roda com centro rebaixado / disco de aba. A montagem da flange interior no lado errado pode resultar em vibração perigosa.

Monte a flange interior no eixo.

Certifique-se de que instala a peça dentada da flange interior na peça reta no fundo do eixo.

Instale a roda com centro rebaixado / disco de aba na flange interior e aparafuse a porca de bloqueio no eixo.

► Fig.5: 1. Porca de bloqueio 2. Roda com centro rebaixado 3. Flange interior 4. Peça de montagem

Para apertar a porca de bloqueio, prima o bloqueio do eixo firmemente para que o eixo não possa girar, depois utilize a chave para porcas de bloqueio e aperte com segurança para a direita.

► Fig.6: 1. Chave para porcas de bloqueio 2. Bloqueio do eixo

Para retirar a roda, siga inversamente o processo de instalação.

## Instalar ou retirar a roda flexível

### Acessório opcional

**⚠️ AVISO:** Utilize sempre o resguardo fornecido quando a roda flexível estiver na ferramenta. A roda pode partir-se durante a utilização e o resguardo ajuda a reduzir os riscos de ferimentos pessoais.

- Fig.7: 1. Porca de bloqueio 2. Roda flexível  
3. Almofada de apoio 4. Flange interior

Siga as instruções referentes à roda com centro rebaiado, mas utilize, igualmente, uma almofada de apoio sobre a roda. Veja a ordem de montagem na página dos acessórios neste manual.

## OPERAÇÃO

**⚠️ AVISO:** Nunca deve ser necessário forçar a ferramenta. O peso da ferramenta aplica a pressão adequada. Forçar e pressionar excessivamente pode provocar a quebra perigosa da roda.

**⚠️ AVISO:** Substitua **SEMPRE** a roda se a ferramenta cair enquanto estiver a esmerilar.

**⚠️ AVISO:** **NUNCA** provoque golpes violentos nem bata com o disco de esmerilar ou com a roda no trabalho.

**⚠️ AVISO:** Evite bater ou dar pancadas na roda, especialmente quando trabalhar nos cantos, extremidades afiadas, etc. Isto pode provocar perda de controlo e recuos.

**⚠️ AVISO:** **NUNCA** utilize a ferramenta com lâminas para corte de madeira e outras lâminas da serra. Essas lâminas quando utilizadas numa esmeriladora ressaltam frequentemente e provocam perda de controlo originando ferimentos pessoais.

**⚠️ AVISO:** A utilização continuada de uma roda desgastada pode resultar na explosão da roda e em ferimentos pessoais graves.

**⚠️ PRECAUÇÃO:** Nunca ligue a ferramenta quando estiver em contacto com a peça de trabalho, pois pode ferir o operador.

**⚠️ PRECAUÇÃO:** Use sempre óculos de segurança ou um protetor facial durante a operação.

**⚠️ PRECAUÇÃO:** Depois da operação, desligue sempre a ferramenta e espere até que a roda esteja completamente parado antes de pousar a ferramenta.

**⚠️ PRECAUÇÃO:** Agarre **SEMPRE** na ferramenta firmemente com uma mão no corpo e a outra na punho lateral (pega).

## Operação com roda/disco

- Fig.8

Ligue a ferramenta e, em seguida, aplique a roda ou o disco na peça de trabalho.

Em geral, mantenha a extremidade da roda ou disco num ângulo de cerca de 15° relativamente à superfície da peça de trabalho. Durante o período de arranque com uma roda nova, não utilize a esmeriladora para a frente ou pode cortar a peça de trabalho. Depois de a extremidade da roda estar arredondada pelo uso, pode trabalhar com a roda para a frente ou para trás.

## Operação com escova de arame tipo roda

### Acessório opcional

**⚠️ PRECAUÇÃO:** Verifique a operação da escova de arame tipo roda operando a ferramenta em vazio, certificando-se de que ninguém está à frente ou em linha com a escova de arame tipo roda.

**⚠️ PRECAUÇÃO:** Não utilize uma escova de arame tipo roda danificada nem desequilibrada. A utilização de uma escova de arame tipo roda danificada pode aumentar o risco de ferimentos decorrentes do contacto com arames partidos.

**⚠️ PRECAUÇÃO:** Utilize **SEMPRE** o resguardo com as escovas de arame tipo roda, garantindo que o diâmetro da roda encaixa dentro do resguardo. A roda pode partir-se durante a utilização e o resguardo ajuda a reduzir os riscos de ferimentos pessoais.

- Fig.9: 1. Escova de arame tipo roda

Retire a ferramenta da tomada e vire-a ao contrário para ter um acesso fácil ao eixo.

Retire quaisquer acessórios do eixo. Enrosque a escova de arame tipo roda no eixo e aperte com as chaves.

**⚠️ OBSERVAÇÃO:** Quando utilizar a escova de arame tipo roda, evite aplicar uma pressão excessiva que pode provocar a dobragem excessiva dos arames. Pode dar origem a quebra prematura.

## Ligação de cordão (tirante)

**⚠️ Avisos de segurança específicos para utilização em altura**

Leia todos os avisos e instruções de segurança. A inobservância dos avisos e das instruções pode resultar em ferimentos graves.

1. Mantenha sempre a ferramenta amarrada quando trabalhar “em altura”. O comprimento máximo do cordão é de 2 m. A altura de queda máxima admissível para cordão (tirante) não deve exceder 2 m.
2. Utilize apenas com cordões apropriados para este tipo de ferramenta e com classificação nominal mínima de 4,0 kg.
3. Não amarre o cordão da ferramenta em nada no seu corpo ou em componentes móveis. Amarre o cordão da ferramenta a uma estrutura rígida capaz de suportar as forças de uma ferramenta caída.
4. Certifique-se de que o cordão está devidamente seguro em cada extremidade antes de utilizá-lo.
5. Inspeccione a ferramenta e o cordão antes de cada utilização quanto a danos e ao funcionamento correto (incluindo tecido e costura). Não utilize em caso de danos ou se não estiver a funcionar corretamente. A ferramenta deve ser reparada especialmente quando aparece uma fissura ou uma linha vermelha em torno do orifício para o cordão.
6. Não ate os cordões em redor de bordos afiados ou ásperos, nem permita que toquem nestes.

7. Aperte a outra extremidade do cordão fora da área de trabalho, de modo a segurar firmemente uma ferramenta caída.
8. Prenda o cordão, de modo que a ferramenta se afaste do operador no caso de cair. As ferramentas caídas balançam no cordão, o que pode causar ferimentos ou perda de equilíbrio.
9. Não o utilize próximo de peças móveis ou máquinas em funcionamento. Se o fizer, pode resultar em perigo de esmagamento ou emaranhamento.
10. Não transporte a ferramenta através do dispositivo de fixação ou do cordão.
11. Transfira a ferramenta de uma mão para a outra apenas enquanto estiver devidamente equilibrado.
12. Não prenda cordões à ferramenta de uma forma que impeça as proteções, os interruptores ou desbloqueios de funcionarem corretamente.
13. Evite ficar preso no cordão.
14. Mantenha o cordão afastado da área de corte da ferramenta.
15. Utilize um mosquetão de bloqueio (de ação múltipla e do tipo parafuso). Não utilize mosquetões de mola de ação única.
16. No caso de a ferramenta cair, esta deve ser etiquetada e retirada de serviço e deve ser inspecionada por uma fábrica ou centro de assistência autorizado da Makita.
17. Prenda o cordão apenas com um mosquetão de bloqueio. Não prenda o cordão amarrando ou atando o mesmo. Não utilize cordas ou cabos.

► Fig.10: 1. Orifício para cordão (tirante)

## MANUTENÇÃO

**⚠PRECAUÇÃO:** Certifique-se sempre de que a ferramenta está desligada e com a ficha retirada da tomada antes de tentar proceder à inspeção ou à manutenção.

**OBSERVAÇÃO:** Nunca utilize gasolina, benzina, diluente, álcool ou produtos semelhantes. Pode ocorrer a descoloração, deformação ou rachaduras.

Para manter a SEGURANÇA e a FIABILIDADE do produto, as reparações e qualquer outra manutenção ou ajuste devem ser levados a cabo pelos centros de assistência Makita autorizados ou pelos centros de assistência de fábrica, utilizando sempre peças de substituição Makita.

### Limpeza do ventilador de ar

A ferramenta e os respetivos ventiladores de ar têm de ser mantidos limpos. Limpe regularmente os ventiladores de ar da ferramenta ou sempre que os ventiladores comecem a ficar obstruídos.

► Fig.11: 1. Ventilador de exaustão 2. Ventilador de inalação

## ACESSÓRIOS OPCIONAIS

**⚠PRECAUÇÃO:** Estes acessórios ou peças são recomendados para utilização com a ferramenta Makita especificada neste manual. A utilização de outros acessórios ou peças pode ser perigosa para as pessoas. Utilize apenas acessórios ou peças para os fins indicados.

Se necessitar de informações adicionais relativas a estes acessórios, solicite-as ao seu centro de assistência Makita.

► Fig.12

-	Modelo de 100 mm	Modelo de 115 mm	Modelo de 125 mm
1	Punho lateral		
2	Flange interior	Flange interior / Super flange	
3	Roda com centro rebaixado / Disco de aba		
4	Porca de bloqueio		
5	Almofada de apoio		
6	Roda flexível		
7	Escova de arame tipo roda		
-	Chave para porcas de bloqueio		
-	Fixação de cobertura contra a poeira		

**NOTA:** Alguns itens da lista podem estar incluídos na embalagem da ferramenta como acessórios padrão. Eles podem variar de país para país.

## SPECIFIKATIONER

Model:	GA4051R	GA4551R	GA5051R
Skivediameter	100 mm (4")	115 mm (4-1/2")	125 mm (5")
Maks. skivetykkelse	6,4 mm (1/4")	7,2 mm (9/32")	
Spindelgevind	M10	M14 eller 5/8"	
Nominel hastighed (n)	11.000 min <sup>-1</sup>		
Længde i alt	325 mm		
Nettovægt	2,3 - 2,5 kg	2,5 - 2,7 kg	
Sikkerhedsklasse	□/II		

- På grund af vores kontinuerlige forsknings- og udviklingsprogrammer kan hosstående specifikationer blive ændret uden varsel.
- Specifikationer kan variere fra land til land.
- Vægten kan være anderledes afhængigt af tilbehøret. Den letteste og tungeste kombination i henhold til EPTA-procedure 01/2014 er vist i tabellen.

### Tilsigtet anvendelse

Maskinen er beregnet til slibning uden brug af vand.

### Strømforsyning

Maskinen må kun tilsluttes en strømforsyning med samme spænding som angivet på typeskiltet og kan kun anvendes på enfaset vekselstrømforsyning. Den er dobbeltisoleret og kan derfor også tilsluttes netstik uden jordforbindelse.

### Støj

Det typiske A-vægtede støjniveau bestemt i overensstemmelse med EN60745-2-3:

Model	Lydtrykniveau (L <sub>PA</sub> ): (dB (A))	Lydeffektniveau (L <sub>WA</sub> ): (dB (A))	Usikkerhed (K): (dB (A))
GA4051R	91	102	3
GA4551R	91	102	3
GA5051R	91	102	3

**BEMÆRK:** De(n) angivne støjemissionsværdi(er) er målt i overensstemmelse med en standardtestmetode og kan anvendes til at sammenligne en maskine med en anden.

**BEMÆRK:** De(n) angivne støjemissionsværdi(er) kan også anvendes i en præliminær eksponeringsvurdering.

**⚠ ADVARSEL:** Bær høreværn.

**⚠ ADVARSEL:** Støjemissionen under den faktiske anvendelse af maskinen kan være forskellig fra de(n) angivne værdi(er), afhængigt af den måde hvorpå maskinen anvendes, især den type arbejdsemne der behandles.

**⚠ ADVARSEL:** Sørg for at identificere de sikkerhedsforskrifter til beskyttelse af operatøren, som er baseret på en vurdering af eksponering under de faktiske brugsforhold (med hensyntagen til alle dele i brugscyklussen, f.eks. de gange, hvor maskinen er slukket, og når den kører i tomgang i tilgift til afbrydertiden).

### Vibration

Vibrationens totalværdi (tre-aksial vektorsum) bestemt i overensstemmelse med EN60745-2-3:

**Funktionstilstand: overfladeslibning med normalt sidehåndtag**

Model	Vibrationsafgivelse (a <sub>hV AG</sub> ): (m/s <sup>2</sup> )	Usikkerhed (K): (m/s <sup>2</sup> )
GA4051R	6,5	1,5
GA4551R	7,0	1,5
GA5051R	7,5	1,5

## Funktionstilstand: overfladeslibning med anti-vibrations-sidehåndtag

Model	Vibrationsafgivelse ( $a_{hv, AG}$ ): (m/s <sup>2</sup> )	Usikkerhed (K): (m/s <sup>2</sup> )
GA4051R	5,5	1,5
GA4551R	7,0	1,5
GA5051R	8,5	1,5

## Funktionstilstand: disksandslibning med normalt sidehåndtag

Model	Vibrationsafgivelse ( $a_{hv, AG}$ ): (m/s <sup>2</sup> )	Usikkerhed (K): (m/s <sup>2</sup> )
GA4051R	2,5 m/s <sup>2</sup> eller mindre	1,5
GA4551R	2,5	1,5
GA5051R	2,5 m/s <sup>2</sup> eller mindre	1,5

## Funktionstilstand: disksandslibning med anti-vibrations-sidehåndtag

Model	Vibrationsafgivelse ( $a_{hv, AG}$ ): (m/s <sup>2</sup> )	Usikkerhed (K): (m/s <sup>2</sup> )
GA4051R	2,5 m/s <sup>2</sup> eller mindre	1,5
GA4551R	2,5 m/s <sup>2</sup> eller mindre	1,5
GA5051R	2,5 m/s <sup>2</sup> eller mindre	1,5

**BEMÆRK:** De(n) angivne totalværdi(er) for vibration er målt i overensstemmelse med en standardtestmetode og kan anvendes til at sammenligne en maskine med en anden.

**BEMÆRK:** De(n) angivne totalværdi(er) for vibration kan også anvendes i en præliminær eksponeringsvurdering.

**⚠ ADVARSEL:** Vibrationsemissionen under den faktiske anvendelse af maskinen kan være forskellig fra de(n) angivne værdi(er), afhængigt af den måde hvorpå maskinen anvendes, især den type arbejdsemne der behandles.

**⚠ ADVARSEL:** Sørg for at identificere de sikkerhedsforskrifter til beskyttelse af operatøren, som er baseret på en vurdering af eksponering under de faktiske brugsforhold (med hensyntagen til alle dele i brugsklassen, f.eks. de gange, hvor maskinen er slukket, og når den kører i tomgang i tilgift til afbrydertiden).

**⚠ ADVARSEL:** Den erklærede værdi for vibrationsemission gælder for el-værktøjets primære anvendelser. Hvis el-værktøjet imidlertid anvendes til andre formål, kan værdien for vibrationsemission være anderledes.

## EF-overensstemmelseserklæring

### Kun for lande i Europa

EF-overensstemmelseserklæringen er inkluderet som Bilag A i denne brugsanvisning.

## SIKKERHEDSADVARSLER

### Almindelige sikkerhedsregler for el-værktøj

**⚠ ADVARSEL:** Læs alle de sikkerhedsadvarsler, instruktioner, illustrationer og specifikationer, der følger med denne maskine. Forsømmelse af at overholde alle nedenstående instruktioner kan medføre elektrisk stød, brand og/eller alvorlig personskade.

### Gem alle advarsler og instruktioner til fremtidig reference.

Ordet "el-værktøj" i advarslerne henviser til det netforsynede (netledning) el-værktøj eller batteriforsynede (akku) el-værktøj.

## Sikkerhedsadvarsler for sliber

### Generelle sikkerhedsadvarsler for slibning og trådbørstning:

1. Denne maskine er beregnet til at fungere som en sliber eller en trådbørste. Læs alle de sikkerhedsadvarsler, instruktioner, illustrationer og specifikationer, som følger med denne maskine. Forsømmelse af at følge alle instruktionerne herunder kan resultere i elektrisk stød, brand og/eller alvorlig tilskadekomst.
2. Det anbefales ikke at benytte maskinen til formål som f.eks. polering, sandslibning og afskæring. Anvendelse, som maskinen ikke er beregnet til, kan være farligt og føre til personskade.
3. Anvend ikke tilbehør, som ikke er specifikt lavet og anbefalet af maskinens fabrikant. Den omstændighed, at tilbehøret kan monteres på din maskine, er ingen garanti for, at anvendelsen bliver sikkerhedsmæssig forsvarlig.
4. Tilbehørets nominelle hastighed skal være beregnet til mindst den samme som den maksimale hastighed, som er anført på maskinen. Tilbehør, som kører med en større hastighed end deres nominelle hastighed, kan brække og slynges af.
5. Tilbehørets ydre diameter og tykkelse skal være inden for din maskines kapacitetsrating. Tilbehør med en forkert størrelse kan ikke beskyttes eller styres tilstrækkeligt.



6. **Gevindmontering af tilbehør skal passe til maskinens spindelgevind. For tilbehør, som monteres med flanger, skal dornhullet på tilbehøret passe til lokaliseringsdiametere på flangen.** Tilbehør, som ikke passer til maskinens monteringsdele, vil miste balancen, vibrere ekstremt og kan føre til tab af kontrol.
7. **Anvend ikke beskadiget tilbehør. Inspicer altid tilbehøret inden brugen, som for eksempel trådbørsten for løse eller revnede tråde. Hvis maskinen eller tilbehøret tabes, skal de eftersees for skade, eller en ubeskadiget tilbehørsdel skal monteres. Efter inspektion og montering af tilbehør, skal De og omkringstående stå på god afstand af det roterende tilbehørs flade, og maskinen skal køres på højeste, ubelastede hastighed i et minut.** Beskadiget tilbehør vil normalt brække under prøvetiden.
8. **Anvend personligt beskyttelsesudstyr. Afhængigt af brugen skal der anvendes ansigtsskærm, beskyttelsesbriller eller sikkerhedsbriller. Anvend, alt efter forholdene, støvmaske, høreværn, handsker og forklæde, som kan stoppe små slibningsstykker eller fragmenter fra arbejdsområdet.** Øjenbeskyttelsen skal kunne stoppe afslyngede stykker, som er frembragt af forskelligt arbejde. Støvmasken og respiratoren skal være i stand til at filtrere partikler, som er frembragt af arbejdet. Længere tids udsættelse for støj af høj intensitet kan medføre høretab.
9. **Hold tilskuere på god afstand af arbejdsområdet. Enhver person, som befinder sig i arbejdsområdet, skal bære personligt beskyttelsesudstyr.** Fragmenter fra arbejdsområdet eller fra brækket tilbehør kan blive slynget af og være årsag til tilskadekomst, også uden for det umiddelbare arbejdsområde.
10. **Hold kun maskinen i de isolerede gribeblade, når der udføres et arbejde, hvor det skærende tilbehør kan komme i berøring med skjulte ledninger eller dets egen ledning.** Skærende tilbehør, som kommer i berøring med en strømførende ledning, kan bevirke, at udsatte metaldele på maskinen bliver ledende, hvorved operatøren kan få stød.
11. **Anbring altid ledningen, så den ikke kommer i kontakt med drejende tilbehør.** Hvis De mister herredømmet over maskinen, kan ledningen blive skåret over eller sætte sig fast, og Deres hånd eller arm kan komme i kontakt med det roterende tilbehør.
12. **Læg aldrig maskinen fra Dem, før tilbehøret er stoppet fuldstændigt.** Det roterende tilbehør kan gribe fat i overfladen, hvilket kan bevirke, at De mister herredømmet over maskinen.
13. **Lad ikke maskinen køre, mens De bærer den ved siden.** Utilsigtet kontakt med det roterende tilbehør kan gribe fat i tøjet og derved trække tilbehøret ind mod kroppen.
14. **Rengør maskinens ventilationsåbninger med jævne mellemrum.** Motorens vifte vil trække støv ind i huset, og en kraftig ophobning af metalstøv kan skabe elektrisk fare.
15. **Anvend ikke maskinen i nærheden af brændbare materialer.** Disse materialer kan blive antændt af gnister.
16. **Anvend ikke tilbehør, der kræver kølevæske.** Anvendelse af vand eller anden kølevæske kan resultere i dødelige stød eller elektriske stød.

## Tilbageslag og relaterede advarsler

Tilbageslag er en pludselig reaktion på en fastklemt eller blokeret roterende skive, bagskive, børste eller andet tilbehør. En fastklemt eller blokeret del forårsager hurtig standstill af det roterende tilbehør, som derved bliver årsag til, at den ukontrollerede maskine bliver tvunget i den modsatte retning af tilbehørets rotation ved punktet for bindingen. Hvis for eksempel en slibeskive er blokeret eller fastklemt af arbejdsområdet, kan kanten på skiven, som går ind i fastklemningspunktet, grave sig ind i materialets overflade og derved bevirke, at skiven kommer ud eller presses ud. Skiven kan enten slynges mod eller bort fra operatøren, afhængigt af skivens bevægelse på fastklemningspunktet. Slibeskiver kan også brække under disse forhold. Tilbageslag er resultatet af misbrug af maskinen og/eller fejlagtig anvendelse eller forkerte brugsforhold og kan undgås ved at man tager de rigtige forholdsregler som vist herunder.

1. **Hold godt fast i maskinen og hold kroppen og armen således, at De kan modvirke tilbageslagskraften.** Anvend altid hjælpehåndtaget, hvis et sådant medfølger, til at opnå maksimal kontrol af tilbageslag og drejningsmomentreaktion under starten. Operatøren kan kontrollere drejningsmomentreaktion eller tilbageslagskraft, hvis de rigtige forholdsregler tages.
2. **Anbring aldrig hænderne i nærheden af det roterende tilbehør.** De risikerer at få hånden ind i tilbageslagsbane.
3. **Stil Dem ikke i det område, hvor maskinen vil bevæge sig, hvis der opstår tilbageslag.** Tilbageslag vil slynge maskinen i den modsatte retning af skivens omdrejning på blokeringspunktet.
4. **Vær særlig omhyggelig, når De arbejder på hjørner, skarpe kanter osv. Undgå at bumpe eller blokere tilbehøret.** Hjørner, skarpe kanter eller bumpen har tendens til at blokere det roterende tilbehør og forårsage tab af kontrol eller tilbageslag.
5. **Monter ikke en savkæde, træskæreklinge eller en savklinge med tænder.** Sådanne klinger giver hyppige tilbageslag og tab af kontrol.

## Specifikke sikkerhedsadvarsler for slibning:

1. **Anvend kun skivetyper, som anbefales til din maskine og den specielle beskyttelsesskærm, som er beregnet til den valgte skive.** Skiver, for hvilke maskinen ikke er beregnet, kan ikke afskærmes tilstrækkeligt og er ikke sikkerhedsmæssigt forsvarlige.
2. **Slibefluden på forsænkede centerskiver skal monteres under beskyttelsesskærmkantens flade.** En forkert monteret skive, som stikker ud fra beskyttelsesskærmkantens flade, kan ikke beskyttes tilstrækkeligt.
3. **Beskyttelsesskærmen skal være ordentligt monteret på maskinen og placeret, så den optimale sikkerhed opnås, således at mindst muligt af skiven vender mod operatøren.** Beskyttelsesskærmen bidrager til at beskytte operatøren mod afbrækkede skivefragmenter og utilsigtet kontakt med skiven og gnister, der kan antænde tøjet.
4. **Skiver må kun anvendes til de anbefalede opgaver.**
5. **Anvend altid ubeskadigede skiveflanger, som har den rigtige størrelse og form til den valgte skive.** Rigtige skiveflanger støtter skiven, hvorved risikoen for skivebrud nedsættes.
6. **Anvend ikke nedslidte skiver fra større maskiner.** Skiver, som er beregnet til større maskiner, er ikke egnede til en mindre maskines højere hastighed og kan brække.



### Særlige sikkerhedsadvarsler for trådbørstning:

1. Vær opmærksom på, at trådbørstehårene afstødes fra børsten selv under almindelig anvendelse. Udsæt ikke trådbørstehårene for et for stort tryk ved at trykke for kraftigt på børsten. Trådbørstehårene kan nemt gennemtrænge tynde klæder og/eller huden.
2. Hvis anvendelse af en beskyttelseskærm ved trådbørstning anbefales, må man ikke tillade interferens af trådskeen eller børsten med beskyttelseskærmen. Trådskeen eller børsten kan udvide sig i diameter på grund af arbejdsbelastningen og centrifugalkraften.

### Supplerende sikkerhedsadvarsler:

1. Hvis der anvendes forsænkede centerskiver, skal man sørge for kun at anvende fiberglasforstærkede skiver.
2. ANVEND ALDRIG skiver af stenkop-typen med denne sliber. Denne sliber er ikke beregnet til disse typer skiver, og anvendelse af et sådant produkt kan resultere i alvorlig tilskadekomst.
3. Vær påpasselig med ikke at komme til at beskadige spindlen, flangen (specielt monteringsfladen) eller låsemøtrikken. Beskadigelse af disse dele kan resultere i, at skiven brækker.
4. Sørg for, at skiven ikke er i berøring med arbejdsemnet, inden De tænder for maskinen med afbryderen.
5. Inden De begynder at anvende maskinen på et rigtigt arbejdsemne, skal De lade den køre i et stykke tid. Vær opmærksom på vibrationer eller slør, som kan være tegn på dårlig montering eller en forkert afbalanceret skive.
6. Anvend den specificerede overflade på skiven til at udføre slibningen.
7. Læg ikke maskinen fra Dem, mens den stadig kører. Anvend kun maskinen som håndværktøj.
8. Berør ikke arbejdsemnet lige efter at arbejdet er udført. Det kan blive meget varmt og være årsag til forbrændinger.
9. Undgå at berøre tilbehør umiddelbart efter arbejdets ophør. Det kan være meget varmt og kan forårsage forbrændinger af huden.
10. Overhold altid fabrikantens instruktioner for korrekt montering og anvendelse af skiver. Behandl og opbevar skiver med forsigtighed.
11. Anvend ikke separate reduktionsbøsninger eller adaptere til at tilpasse slibeskiver med store centerhuller til maskinen.
12. Anvend kun de specificerede flanger til denne maskine.
13. Ved anvendelse af maskiner, der er beregnet til montering af slibeskiver med gevindforsynet hul, skal det altid sikres, at gevindet i skiven er langt nok i forhold til spindellængden.
14. Kontrollér at emnet er korrekt understøttet.
15. Forsigtig! Skiven fortsætter med at rotere, efter at der slukket for maskinen.
16. Hvis arbejdsstedet er ekstremt varmt eller fugtigt, eller slemt tilnavset med ledende støv, bør der anvendes en kortslutningsafbryder (30 mA) for at garantere sikkerheden under arbejdet.
17. Anvend aldrig maskinen på materialer, der indeholder asbest.

18. Anvend ikke stofarbejdshandsker under brugen. Fibre fra stofhandsker kan muligvis trænge ind i maskinen, hvilket forvolder skade på maskinen.

## GEM DISSE FORSKRIFTER.

**⚠ ADVARSEL:** LAD IKKE bekvemmelighed eller kendskab til produktet (opnået gennem gentagen brug) forhindre, at sikkerhedsforskrifterne for produktet nøje overholdes. MISBRUG eller forsummelse af at følge de i denne brugsvejledning givne sikkerhedsforskrifter kan medføre alvorlig personskade.

## FUNKTIONSBESKRIVELSE

**⚠ FORSIGTIG:** Kontrollér altid, at maskinen er slået fra, og at netstikket er trukket ud, før der udføres justeringer, eller funktioner kontrolleres på maskinen.

### Aksellås

Tryk på aksellåsen for at forhindre, at spindlen roterer, når tilbehør monteres eller afmonteres.

► Fig.1: 1. Aksellås

**BEMÆRKNING:** Udløs aldrig aksellåsen, mens spindlen bevæger sig. Maskinen kan lide skade.

### Afbryderfunktion

**⚠ FORSIGTIG:** Før maskinen sættes i stikkontakten, skal De altid kontrollere, at afbryderknappen fungerer korrekt og returnerer til "OFF"-positionen, når den slippes.

**⚠ FORSIGTIG:** Undlad at presse afbryderhåndtaget ind med magt uden at trykke på lås fra-knappen. Afbryderen kan gå i stykker.

For at forhindre utilsigtet indtrykning af afbryderhåndtaget er maskinen udstyret med et aflåsehåndtag. For at starte maskinen trækkes aflåsehåndtaget mod operatøren og derefter trækkes i afbryderhåndtaget. Slip afbryderhåndtaget for at stoppe.

► Fig.2: 1. Aflåsehåndtag 2. Afbryderhåndtag

### Sikring mod utilsigtet start

Maskinen starter ikke, mens der trykkes på afbryderhåndtaget, selv hvis maskinen er tilsluttet. For at starte maskinen skal man først slippe afbryderhåndtaget. Træk derefter i aflåsehåndtaget, og træk afbryderhåndtaget.

**BEMÆRK:** Vent i mere end ét sekund inden maskinen genstartes, når sikringen mod utilsigtet start er aktiveret.

### Funktion for blød start

Funktionen for blød start reducerer startreaktionen.

## SAMLING

**⚠️FORSIGTIG:** Sørg altid for, at maskinen er slukket og taget ud af forbindelse, inden der udføres nogen form for arbejde på maskinen.

### Montering af sidehåndtag

**⚠️FORSIGTIG:** Sørg altid for, at sidehåndtaget er ordentligt monteret inden brugen.

Skrue sidehåndtaget ordentligt på maskinen på det på illustrationen viste sted.

► Fig.3

### Justeringsvinkel for beskyttelsesskærm

**⚠️ADVARSEL:** Kontroller at beskyttelsesskærmen er låst ordentligt fast vha. låsearmen med et af hullerne i beskyttelsesskærmen.

Vinklen på beskyttelsesskærmen kan justeres. Mens du trykker på låsearmen, skal du dreje beskyttelsesskærmen mod B og derefter ændre vinklen på beskyttelsesskærmen i overensstemmelse med arbejdet, så operatøren kan blive beskyttet. Ret låsearmen ind med et af hullerne i beskyttelsesskærmen og slip derefter låsearmen for at låse beskyttelsesskærmen.

► Fig.4: 1. Beskyttelsesskærm 2. Hul

### Montering eller afmontering af forsænket centerskive eller bladdisk

#### Ekstraudstyr

**⚠️ADVARSEL:** Når en forsænket centerskive eller bladdisk anvendes, skal beskyttelsesskærmen sættes på maskinen, så den lukkede side af skærmen altid er rettet mod operatøren.

**⚠️FORSIGTIG:** Sørg for, at monteringsdelen af den indvendige flange passer perfekt ind i den indvendige diameter på den forsænkede centerskive / bladdisken. Monteres den indvendige flange på den forkerte side, kan det medføre farlig vibration.

Monér den indvendige flange på spindlen. Sørg for, at anbringe den bulende del af den indvendige flange på den lige del nederst på spindlen.

Anbring den forsænkede centerskive / bladdisken på den indvendige flange og skru låsemøtrikken på spindlen.

► Fig.5: 1. Låsemøtrik 2. Forsænket centerskive 3. Indvendig flange 4. Monteringsdel

Låsemøtrikken strammes ved at man trykker fast på aksellåsen, så spindlen ikke kan dreje, og derefter anvender låsemøtriknøglen til at stramme godt til i retningen med uret.

► Fig.6: 1. Låsemøtriknøgle 2. Aksellås

Gå frem i modsat rækkefølge af monteringsproceduren, når skiven skal tages af.

## Montering og afmontering af flex-skive

#### Ekstraudstyr

**⚠️ADVARSEL:** Brug altid den medfølgende beskyttelsesskærm, når flex-skiven er monteret på maskinen. Skiven kan brække under brugen, og beskyttelsesskærmen bidrager til at reducere risikoen for tilskadekomst.

► Fig.7: 1. Låsemøtrik 2. Flex-skive 3. Bagskive 4. Indvendig flange

Følg instruktionerne for den forsænkede centerskive, men brug også bagskiven over skiven. Se rækkefølgen for samling på siden med beskrivelse af tilbehør i denne brugsanvisning.

## ANVENDELSE

**⚠️ADVARSEL:** Det bør aldrig være nødvendigt at anvende magt på maskinen. Maskinens egen vægt sørger for det nødvendige tryk. Tvang og ekstremt tryk kan medføre farlige brud på skiven.

**⚠️ADVARSEL:** Skift **ALTID** skiven ud, hvis maskinen tabes under slibning.

**⚠️ADVARSEL:** Stød eller slå **ALDRIG** slibeskiven mod arbejdsemnet.

**⚠️ADVARSEL:** Undgå at støde og vride skiven, især ved arbejde på hjørner, skarpe kanter osv. Det kan medføre tab af kontrol og tilbageslag.

**⚠️ADVARSEL:** Anvend **ALDRIG** maskinen med klinger, der er beregnet til skæring i træ, og andre savklinger. Hvis sådanne klinger anvendes på en sliber, bliver resultatet ofte tilbageslag og tab af kontrol, hvilket kan føre til tilskadekomst.

**⚠️ADVARSEL:** Fortsat brug af en udslidt skive kan medføre, at skiven sprænger, og alvorlig personskade.

**⚠️FORSIGTIG:** Tænd aldrig for maskinen, mens den er i kontakt med arbejdsemnet. Operatøren kan i så fald komme til skade.

**⚠️FORSIGTIG:** Bær altid beskyttelsesbriller eller ansigtsskærm under brugen.

**⚠️FORSIGTIG:** Efter brugen skal man altid slukke for maskinen og vente, indtil skiven er stoppet helt, inden man lægger maskinen fra sig.

**⚠️FORSIGTIG:** Hold **ALTID** godt fast i maskinen med den ene hånd på maskinhuset og den anden på sidehåndtaget.

### Anvendelse med skive/disk

► Fig.8

Start maskinen og anbring derefter skiven eller disken på arbejdsemnet.

Generelt skal kanten på skiven eller disken holdes i en vinkel på ca. 15° mod arbejdsemnets overflade.

I det tidsrum, hvor en ny skive indkøres, må man ikke arbejde med sliberen i forlæns retning, da dette muligvis vil bevirke, at den skærer ind i arbejdsemnet. Når først et stykke tids anvendelse har rundet kanten af skiven af, kan den anvendes i både forlæns og baglæns retning.

## Anvendelse med trådskeivebørste

### Ekstraudstyr

**⚠FORSIGTIG:** Kontroller trådskeivebørstens funktion ved at køre maskinen uden belastning, og sørg for, at der ikke befinder sig nogen personer foran eller i forlængelse af børsten.

**⚠FORSIGTIG:** Anvend ikke en trådskeivebørste, som er beskadiget, eller som ikke er i balance. Anvendelse af en beskadiget trådskeivebørste kan øge risikoen for tilskadekomst forårsaget af kontakt med ødelagte tråde.

**⚠FORSIGTIG:** Anvend **ALTID** en beskyttelseskærm med trådskeivebørster, og sørg for, at skivens diameter passer inden i beskyttelseskærmen. Skiven kan brække under brugen, og beskyttelseskærmen bidrager til at reducere risikoen for tilskadekomst.

#### ► Fig.9: 1. Trådskeivebørste

Tag maskinen ud af forbindelse og anbring den på hovedet, så der er nem adgang til spindlen. Fjern alt ekstraudstyr på spindlen. Sæt trådskeivebørsten på spindlen og stram med nøglerne.

**BEMÆRKNING:** Undgå, når trådskeivebørsten anvendes, at udøve et for stort tryk, som medfører overbøjning af tråde. Det kan muligvis medføre for tidligt brud.

## Montering af tøjresnor (sikkerhedslinje)

**⚠** Specifikke sikkerhedsadvarsler for brug på høje steder

Læs alle sikkerhedsadvarsler og instruktioner. Hvis alle advarsler og instruktioner ikke følges, kan det medføre alvorlig personskade.

1. Hold altid maskinen tøjret, når du arbejder "i højden". Den maksimale længde af tøjresnoren er 2 m. Den maksimale tilladelige faldhøjde for tøjresnoren (sikkerhedslinen) må ikke overstige 2 m.
2. Brug kun sammen med tøjresnore, der passer til denne maskintype og er normeret til mindst 4,0 kg.
3. Undlad at forankre maskinens tøjresnor til nogen del af din krop eller til bevægelige komponenter. Fastgør maskinens tøjresnor til en fast struktur, som kan modstå kraften af en maskine, der tabes.
4. Sørg for, at tøjresnoren er korrekt fastgjort i begge ender før brugen.
5. Inspicer maskinen og tøjresnoren før hver gang, de bruges, for beskadigelser og korrekt funktion (inklusive stof og sammenhæftning). Undlad brug, hvis de er beskadiget eller ikke fungerer korrekt. Maskinen skal repareres, især hvis der opstår en revne eller rød linje rundt om hullet til tøjresnoren.

6. Undlad at vikle tøjresnore omkring skarpe eller ru kanter eller at lade dem komme i kontakt med disse.
  7. Fastgør den anden ende af tøjresnoren uden for arbejdsområdet, så en nedfaldende maskine fastholdes sikkert.
  8. Fastgør tøjresnoren på en sådan måde, at maskinen vil bevæge sig væk fra operatøren, hvis den falder ned. Tabte maskiner vil svinge i tøjresnoren, hvilket kan medføre personskade eller tab af balancen.
  9. Undlad brug i nærheden af dele i bevægelse eller maskiner, der kører. Hvis du ikke gør dette, kan det medføre risiko for knusning eller indvikling.
  10. Undlad at bære maskinen ved at holde i monteringsenheden eller tøjresnoren.
  11. Overfør kun maskinen mellem dine hænder, når du har korrekt balance.
  12. Undlad at fastgøre tøjresnore til maskinen på en måde, der forhindrer beskyttelseskærme, kontakter eller låseanordninger i at fungere korrekt.
  13. Undgå at blive viklet ind i tøjresnoren.
  14. Hold tøjresnoren væk fra maskinens skærområde.
  15. Brug en låsekarabinhage (flerfunktions- og skrueporttype). Brug ikke karabinhager med enkeltfunktions fjederklemmer.
  16. Hvis maskinen tabes, skal den mærkes og tages ud af tjeneste og inspiceres af en Makita-fabrik eller et autoriseret servicecenter.
  17. Fastgør kun tøjresnoren med en låsekarabinhage. Fastgør ikke tøjresnoren ved at lave en løkke eller binde en knude med tøjresnoren. Anvend ikke reb eller ledninger.
- Fig.10: 1. Hul til tøjresnor (sikkerhedslinje)

## VEDLIGEHOLDELSE

**⚠FORSIGTIG:** Kontrollér altid, at der er slukket for maskinen, og at netstikket er trukket ud, før der udføres eftersyn eller vedligeholdelse.

**BEMÆRKNING:** Anvend aldrig benzin, rensbenzin, fortynder, alkohol og lignende. Det kan medføre misfarvning, deformation eller revner.

For at opretholde produktets SIKKERHED og PÅLIDELIGHED må reparation, vedligeholdelse eller justering kun udføres af et autoriseret Makita servicecenter eller fabrikkens servicecenter med anvendelse af Makita reservedele.

## Rengøring af ventilationsåbninger

Maskinen og dens ventilationsåbninger skal altid holdes rene. Rengør maskinens ventilationsåbninger med jævne mellemrum eller når ventilationsåbningerne begynder at blive tilstoppede.

► Fig.11: 1. Udstødningsåbning 2. Indsugningsåbning

# EKSTRAUDSTYR

**⚠ FORSIGTIG:** Det følgende tilbehør og ekstraudstyr er anbefalet til brug med Deres Makita maskine, der er beskrevet i denne brugsanvisning. Anvendelse af andet tilbehør eller ekstraudstyr kan udgøre en risiko for personskade. Anvend kun tilbehør og ekstraudstyr til det beskrevne formål.

Hvis De behøver hjælp ved valg af tilbehør eller ønsker yderligere informationer, bedes De kontakte Deres lokale Makita servicecenter.

► Fig.12

-	100 mm model	115 mm model	125 mm model
1	Sidehåndtag		
2	Indvendig flange	Indvendig flange / superflange	
3	Forsænket centerskive / bladdisk		
4	Låsemøtrik		
5	Bagskive		
6	Flex-skive		
7	Trådskivebørste		
-	Låsemøtriknøgle		
-	Støvdækselanordning		

**BEMÆRK:** Nogle ting på denne liste kan være inkluderet i værktøjspakken som standardtilbehør. Det kan være forskellige fra land til land.

## ΠΡΟΔΙΑΓΡΑΦΕΣ

Μοντέλο:	GA4051R	GA4551R	GA5051R
Διάμετρος τροχού	100 mm (4")	115 mm (4-1/2")	125 mm (5")
Μέγιστο πάχος τροχού	6,4 mm (1/4")	7,2 mm (9/32")	
Σπείρωμα ατράκτου	M10	M14 ή 5/8"	
Ονομαστική ταχύτητα (n)	11.000 min <sup>-1</sup>		
Συνολικό μήκος	325 mm		
Καθαρό βάρος	2,3 - 2,5 kg	2,5 - 2,7 kg	
Κατηγορία ασφάλειας	☐/II		

- Λόγω του συνεχόμενου προγράμματος που εφαρμόζουμε για έρευνα και ανάπτυξη, τα τεχνικά χαρακτηριστικά στο παρόν έντυπο υπόκεινται σε αλλαγή χωρίς προειδοποίηση.
- Τα τεχνικά χαρακτηριστικά μπορεί να διαφέρουν από χώρα σε χώρα.
- Το βάρος μπορεί να διαφέρει ανάλογα με το(α) εξάρτημα(τα). Ο ελαφρύτερος και βαρύτερος συνδυασμός, σύμφωνα με τη διαδικασία ΕΡΤΑ 01/2014, απεικονίζονται στον πίνακα.

### Προοριζόμενη χρήση

Το εργαλείο προορίζεται για λείανση χωρίς τη χρήση νερού.

### Ηλεκτρική παροχή

Το εργαλείο πρέπει να συνδέεται μόνο με ηλεκτρική παροχή της ίδιας τάσης με αυτή που αναγράφεται στην πινακίδα ονομαστικών τιμών και μπορεί να λειτουργήσει μόνο με εναλλασσόμενο μονοφασικό ρεύμα. Υπάρχει διπλή μόνωση και κατά συνέπεια, μπορεί να γίνει σύνδεση σε ακροδέκτες χωρίς σύρμα γείωσης.

### Θόρυβος

Το τυπικό Α επίπεδο καταμετρημένου θορύβου καθορίζεται σύμφωνα με το EN60745-2-3:

Μοντέλο	Επίπεδο ηχητικής πίεσης (L <sub>pa</sub> ): (dB (A))	Επίπεδο ηχητικής ισχύος (L <sub>wa</sub> ): (dB (A))	Αβεβαιότητα (K): (dB (A))
GA4051R	91	102	3
GA4551R	91	102	3
GA5051R	91	102	3

**ΠΑΡΑΤΗΡΗΣΗ:** Η δηλωμένη τιμή(ές) εκπομπής θορύβου έχει μετρηθεί σύμφωνα με την πρότυπη μέθοδο δοκιμής και μπορεί να χρησιμοποιηθεί για τη σύγκριση ενός εργαλείου με κάποιο άλλο.

**ΠΑΡΑΤΗΡΗΣΗ:** Η δηλωμένη τιμή(ές) εκπομπής θορύβου μπορεί να χρησιμοποιηθεί και στην προκαταρκτική αξιολόγηση της έκθεσης.

**⚠ ΠΡΟΕΙΔΟΠΟΙΗΣΗ:** Να φοράτε ωτοασπίδες.

**⚠ ΠΡΟΕΙΔΟΠΟΙΗΣΗ:** Η εκπομπή θορύβου κατά τη χρήση του ηλεκτρικού εργαλείου σε πραγματικές συνθήκες μπορεί να διαφέρει από τη δηλωμένη τιμή(ές) ανάλογα με τους τρόπους χρήσης του εργαλείου, ιδιαίτερα το είδος του τεμαχίου εργασίας που υπόκειται επεξεργασία.

**⚠ ΠΡΟΕΙΔΟΠΟΙΗΣΗ:** Φροντίστε να λάβετε τα κατάλληλα μέτρα προστασίας του χειριστή βάσει ενός υπολογισμού της έκθεσης σε πραγματικές συνθήκες χρήσης (λαμβάνοντας υπόψη όλες τις συνιστώσες του κύκλου λειτουργίας όπως τους χρόνους που το εργαλείο είναι εκτός λειτουργίας και όταν βρίσκεται σε αδρανή λειτουργία πέραν του χρόνου ενεργοποίησης).

## Κραδασμός

Η ολική τιμή δόνησης (άθροισμα τρι-αξονικού διανύσματος) καθορίζεται σύμφωνα με το EN60745-2-3:

### Κατάσταση λειτουργίας: λείανση επιφανειών με κανονική πλάγια λαβή

Μοντέλο	Εκπομπή δόνησης ( $a_{h, AG}$ ): (m/s <sup>2</sup> )	Αβεβαιότητα (K): (m/s <sup>2</sup> )
GA4051R	6,5	1,5
GA4551R	7,0	1,5
GA5051R	7,5	1,5

### Κατάσταση λειτουργίας: λείανση επιφανειών με αντικραδασμική πλάγια λαβή

Μοντέλο	Εκπομπή δόνησης ( $a_{h, AG}$ ): (m/s <sup>2</sup> )	Αβεβαιότητα (K): (m/s <sup>2</sup> )
GA4051R	5,5	1,5
GA4551R	7,0	1,5
GA5051R	8,5	1,5

### Κατάσταση λειτουργίας: τρίψιμο δίσκου με κανονική πλάγια λαβή

Μοντέλο	Εκπομπή δόνησης ( $a_{h, AG}$ ): (m/s <sup>2</sup> )	Αβεβαιότητα (K): (m/s <sup>2</sup> )
GA4051R	2,5 m/s <sup>2</sup> ή λιγότερο	1,5
GA4551R	2,5	1,5
GA5051R	2,5 m/s <sup>2</sup> ή λιγότερο	1,5

### Κατάσταση λειτουργίας: τρίψιμο δίσκου με αντικραδασμική πλάγια λαβή

Μοντέλο	Εκπομπή δόνησης ( $a_{h, AG}$ ): (m/s <sup>2</sup> )	Αβεβαιότητα (K): (m/s <sup>2</sup> )
GA4051R	2,5 m/s <sup>2</sup> ή λιγότερο	1,5
GA4551R	2,5 m/s <sup>2</sup> ή λιγότερο	1,5
GA5051R	2,5 m/s <sup>2</sup> ή λιγότερο	1,5

**ΠΑΡΑΤΗΡΗΣΗ:** Η δηλωμένη τιμή(ές) συνολικών κραδασμών έχει μετρηθεί σύμφωνα με την πρότυπη μέθοδο δοκιμής και μπορεί να χρησιμοποιηθεί για τη σύγκριση ενός εργαλείου με κάποιο άλλο.

**ΠΑΡΑΤΗΡΗΣΗ:** Η δηλωμένη τιμή(ές) συνολικών κραδασμών μπορεί να χρησιμοποιηθεί και στην προκαταρκτική αξιολόγηση της έκθεσης.

**⚠️ ΠΡΟΕΙΔΟΠΟΙΗΣΗ:** Η εκπομπή κραδασμών κατά τη χρήση του ηλεκτρικού εργαλείου σε πραγματικές συνθήκες μπορεί να διαφέρει από τη δηλωμένη τιμή(ές) εκπομπής ανάλογα με τους τρόπους χρήσης του εργαλείου, ιδιαίτερα το είδος του τεμαχίου εργασίας που υπόκειται επεξεργασία.

**⚠️ ΠΡΟΕΙΔΟΠΟΙΗΣΗ:** Φροντίστε να λάβετε τα κατάλληλα μέτρα προστασίας του χειριστή βάσει ενός υπολογισμού της έκθεσης σε πραγματικές συνθήκες χρήσης (λαμβάνοντας υπόψη όλες τις συνιστώσες του κύκλου λειτουργίας όπως τους χρόνους που το εργαλείο είναι εκτός λειτουργίας και όταν βρίσκεται σε αδρανή λειτουργία πέραν του χρόνου ενεργοποίησης).

**⚠️ ΠΡΟΕΙΔΟΠΟΙΗΣΗ:** Η δηλωμένη τιμή εκπομπής δόνησης χρησιμοποιείται για κύριες εφαρμογές του ηλεκτρικού εργαλείου. Ωστόσο, αν το ηλεκτρικό εργαλείο χρησιμοποιείται για άλλες εφαρμογές, η τιμή εκπομπής δόνησης ενδέχεται να είναι διαφορετική.

## Δήλωση συμμόρφωσης ΕΚ

*Μόνο για χώρες της Ευρώπης*

Η δήλωση συμμόρφωσης ΕΚ περιλαμβάνεται ως Παράρτημα Α στο παρόν εγχειρίδιο οδηγιών.

## ΠΡΟΕΙΔΟΠΟΙΗΣΕΙΣ ΑΣΦΑΛΕΙΑΣ

### Γενικές προειδοποιήσεις ασφαλείας για το ηλεκτρικό εργαλείο

**⚠️ ΠΡΟΕΙΔΟΠΟΙΗΣΗ:** Διαβάστε όλες τις προειδοποιήσεις ασφάλειας, οδηγίες, εικονογραφησεις και προδιαγραφές που παρέχονται με αυτό το ηλεκτρικό εργαλείο. Η μη τήρηση όλων των οδηγιών που αναγράφονται κατωτέρω μπορεί να καταλήξει σε ηλεκτροπληξία, πυρκαγιά ή/και σοβαρό τραυματισμό.

## Φυλάξτε όλες τις προειδοποιήσεις και τις οδηγίες για μελλοντική παραπομπή.

Στις προειδοποιήσεις, ο όρος «ηλεκτρικό εργαλείο» αναφέρεται σε ηλεκτρικό εργαλείο που τροφοδοτείται από την κύρια παροχή ηλεκτρικού ρεύματος (με ηλεκτρικό καλώδιο) ή σε ηλεκτρικό εργαλείο που τροφοδοτείται από μπαταρία (χωρίς ηλεκτρικό καλώδιο).

### Προειδοποιήσεις ασφαλείας για τον λειαντήρα

**Προειδοποιήσεις ασφαλείας κοινές για εργασίες λείανσης και καθαρισμού με συρματόβουρτσες:**

- 1. Το παρόν ηλεκτρικό εργαλείο προορίζεται για λειτουργία ως λειαντής ή συρματόβουρτσας. Διαβάστε όλες τις προειδοποιήσεις ασφαλείας, οδηγίες, εικονογραφίες και προδιαγραφές που παρέχονται με αυτό το ηλεκτρικό εργαλείο. Η μη τήρηση όλων των οδηγιών που αναγράφονται κατωτέρω μπορεί να καταλήξει σε ηλεκτροπληξία, τυρκακιά ή/και σοβαρό τραυματισμό.**
- 2. Δεν συνιστάται η εκτέλεση εργασιών όπως στίλβωση, λείανση και κοπή με αυτό το ηλεκτρικό εργαλείο. Λειτουργίες για τις οποίες το ηλεκτρικό αυτό εργαλείο δεν έχει σχεδιαστεί μπορεί να δημιουργήσουν κίνδυνο και να προκαλέσουν προσωπικό τραυματισμό.**
- 3. Μη χρησιμοποιείτε εξαρτήματα που δεν είναι ειδικά σχεδιασμένα και συνιστώμενα από τον κατασκευαστή του εργαλείου. Απλώς και μόνο επειδή το εξάρτημα μπορεί να προσαρτηθεί στο ηλεκτρικό εργαλείο, αυτό δεν εξασφαλίζει ασφαλή λειτουργία.**
- 4. Η ονομαστική ταχύτητα του εξαρτήματος πρέπει να είναι τουλάχιστον ίση με την μέγιστη ταχύτητα που είναι σημειωμένη στο ηλεκτρικό εργαλείο. Εξαρτήματα που λειτουργούν ταχύτερα από την ονομαστική ταχύτητα τους μπορεί να σπαστούν και να εκτοξευθούν.**
- 5. Η εξωτερική διάμετρος και το πάχος του εξαρτήματός σας πρέπει να είναι μέσα στα όρια ικανότητας του ηλεκτρικού εργαλείου σας. Εξαρτήματα μη σωστού μεγέθους δεν μπορούν να προφυλαχθούν ή να ελεγχθούν επαρκώς.**
- 6. Η στερέωση με σπείρωμα των εξαρτημάτων πρέπει να ταιριάζει με το σπείρωμα ατράκτου του λειαντήρα. Για εξαρτήματα στερεωμένα με φλάντζες, η οπή προσαρμογής του εξαρτήματος πρέπει να ταιριάζει με τη διάμετρο εντοπισμού της φλάντζας. Τα εξαρτήματα που δεν ταιριάζουν με το εξάρτημα στερέωσης του ηλεκτρικού εργαλείου θα παρουσιάσουν υποβαθμισμένη ζυγοστάθμιση, υπερβολικούς κραδασμούς και ενδεχομένως απώλεια ελέγχου.**
- 7. Μη χρησιμοποιείτε εξάρτημα που έχει υποστεί βλάβη. Πριν από κάθε χρήση, ελέγχετε το εξάρτημα, όπως τη συρματόβουρτσα, για χαλαρά ή ραγισμένα σύρματα. Αν το ηλεκτρικό εργαλείο ή το εξάρτημα πέσει κάτω, ελέγξτε το για ζημιές ή προσαρμόστε ένα καλό εξάρτημα. Μετά τον έλεγχο και την προσαρμογή ενός εξαρτήματος, απομακρυνθείτε εσείς και οι γύρω σας από το επίπεδο περιστροφής του εξαρτήματος και αφήστε σε λειτουργία το ηλεκτρικό εργαλείο σε μέγιστη ταχύτητα χωρίς φορτίο για ένα λεπτό. Εξαρτήματα με ζημιές θα διαλυθούν κατά τον χρόνο αυτής της δοκιμής.**
- 8. Να φοράτε ατομικό εξοπλισμό προστασίας. Ανάλογα με την εφαρμογή, να χρησιμοποιείτε προσωπίδα προστασίας, προστατευτικά γυαλιά-προσωπίδες ή γυαλιά προστασίας. Όταν απαιτείται, να φοράτε μάσκα σκόνης, προστατευτικά ακοής, γάντια και ποδιά συνεργείου ικανά να παρέχουν προστασία από τα εκτινασόμενα μικρά θραύσματα λόγω της λείανσης ή του τεμαχίου εργασίας. Τα προστατευτικά ματιών πρέπει να είναι ικανά να σταματήσουν τυχόν εκτινασόμενα θραύσματα που δημιουργούνται κατά την εκτέλεση διαφόρων εργασιών. Η μάσκα σκόνης ή αναπνευστήρας πρέπει να είναι ικανή να φιλτράρει σωματίδια παραγόμενα από τις λειτουργίες σας. Η παρατεταμένη έκθεση σε θόρυβο υψηλής έντασης μπορεί να προκαλέσει απώλεια ακοής.**
- 9. Κρατάτε τους γύρω σας σε μια ασφαλή απόσταση από τον χώρο εργασίας. Οποιοσδήποτε εισερχόμενος στο χώρο εργασίας πρέπει να φορά ατομικό προστατευτικό εξοπλισμό. Τεμαχίδια από το τεμάχιο εργασίας ή από ένα σπασμένο εξάρτημα μπορεί να εκτιναχθούν μακριά και να προκαλέσουν τραυματισμό πέραν της άμεσης περιοχής εργασίας.**
- 10. Κρατάτε το ηλεκτρικό εργαλείο μόνο από τις μονωμένες επιφάνειες κρατήματος, όταν εκτελείτε μια εργασία όπου το εξάρτημα κοπής μπορεί να έρθει σε επαφή με κρυμμένες καλωδιώσεις ή με το δικό του καλώδιο. Σε περίπτωση επαφής του εξαρτήματος κοπής με ηλεκτροφόρο καλώδιο, μπορεί τα εκτεθειμένα μεταλλικά εξαρτήματα του ηλεκτρικού εργαλείου να καταστούν τα ίδια ηλεκτροφόρα και να προκαλέσουν ηλεκτροπληξία στο χειριστή.**
- 11. Κρατήστε το καλώδιο μακριά από το περιστρεφόμενο εξάρτημα. Αν χάσετε τον έλεγχο, το καλώδιο τροφοδοσίας μπορεί να κοπεί ή να εμπλακεί με το χέρι ή ο βραχιόνιάς σας μπορεί να τραβηχτεί προς το περιστρεφόμενο εξάρτημα.**
- 12. Μην τοποθετείτε ποτέ το ηλεκτρικό εργαλείο κάτω μέχρι το εξάρτημα να έχει σταματήσει τελείως. Το περιστρεφόμενο εξάρτημα μπορεί να πιάσει την επιφάνεια και να τραβήξει το ηλεκτρικό εργαλείο έξω από τον έλεγχο σας.**
- 13. Μη χειρίζεστε το ηλεκτρικό εργαλείο ενώ το μεταφέρετε στο πλευρό σας. Τυχαία επαφή με το περιστρεφόμενο εξάρτημα μπορεί να προκαλέσει πιάσιμο στα ρούχα σας και να τραβήξει το εξάρτημα μέσα στο σώμα σας.**
- 14. Καθαρίζετε τακτικά τα ανοίγματα εξαερισμού του ηλεκτρικού εργαλείου. Ο ανεμιστήρας του μοτέρ θα αναρροφήσει τη σκόνη μέσα στο περιβλήμα και η υπερβολική συκέντρωση ρινισμάτων μετάλλου μπορεί να προκαλέσει κίνδυνο ηλεκτροπληξίας.**
- 15. Μη χειρίζεστε το ηλεκτρικό εργαλείο κοντά σε εύφλεκτα υλικά. Σπινθήρες μπορεί να αναφλέξουν τα υλικά αυτά.**
- 16. Μη χρησιμοποιείτε εξαρτήματα που χρειάζονται ψυκτικά υγρά. Η χρήση νερού ή άλλων ψυκτικών υγρών μπορεί να προκαλέσουν ηλεκτροπληξία ή σοκ.**



## Κλότσημα και σχετικές προειδοποιήσεις

Το κλότσημα είναι μια ξαφνική αντίδραση του εργαλείου λόγω σύσφιξης ή σκαλώματος του περιστρεφόμενου τροχού, της βύσης υποστήριξης, της βούρτσας ή τυχόν άλλου εξαρτήματος. Η σύσφιξη ή το σκάλωμα προκαλεί ταχεία απώλεια ελέγχου του περιστρεφόμενου εξαρτήματος το οποίο στη συνέχεια υποχρεώνει το ανεξέλεγκτο ηλεκτρικό εργαλείο σε περιστροφή αντίθετη από εκείνη του εξαρτήματος στο σημείο εμπλοκής. Για παράδειγμα, αν ένας λειαντικός τροχός περιέλθει σε σύσφιξη ή σκάλωμα στο τεμάχιο εργασίας, η ακμή του τροχού που εισέρχεται στο σημείο σύσφιξης μπορεί να σκάψει την επιφάνεια του υλικού προκαλώντας την αναπήδηση ή το κλότσημα του τροχού. Ο τροχός μπορεί να αναπηδήσει προς το μέρος του χειριστή ή αντίθετα να απομακρυνθεί από αυτόν, ανάλογα με τη φορά περιστροφής του τροχού στο σημείο σύσφιξης. Υπό αυτές τις συνθήκες, οι λειαντικοί τροχοί μπορεί επίσης να υποστούν θραύση.

Το κλότσημα είναι αποτέλεσμα κακής χρήσης του ηλεκτρικού εργαλείου ή/και σφαλμένων χειρισμών ή συνθηκών και μπορεί να αποφευχθεί με τις κατάλληλες προφυλάξεις όπως δίνονται παρακάτω.

- Κρατάτε σταθερά το ηλεκτρικό εργαλείο και τοποθετήστε το σώμα σας και τον βραχίονα έτσι ώστε να ανδίστανται στις δυνάμεις του κλότσηματος. Να χρησιμοποιείτε πάντα βοηθητική λαβή, αν παρέχεται, για μέγιστο βαθμό ελέγχου του κλότσηματος ή της ροπής αντίδρασης κατά την εκκίνηση.** Ο χειριστής μπορεί να ελέγξει τις αντιδράσεις ροπής ή δυνάμεις κλότσηματος, αν έχουν ληφθεί οι κατάλληλες προφυλάξεις.
- Ποτέ μη βάλετε το χέρι σας κοντά στο περιστρεφόμενο εξάρτημα.** Το εξάρτημα μπορεί να κλοτσήσει στο χέρι σας.
- Μη τοποθετήσετε το σώμα σας στην περιοχή όπου το ηλεκτρικό εργαλείο θα κινηθεί αν συμβεί κλότσημα.** Το κλότσημα θα οδηγήσει το εργαλείο σε διεύθυνση αντίθετη της κίνησης του τροχού στο σημείο εμπλοκής.
- Δώστε ιδιαίτερη προσοχή όταν εργάζεστε σε γωνίες, κοφτερές ακμές, κλπ. Να αποφεύγετε την αναπήδηση και το σκάλωμα του εξαρτήματος.** Γωνίες, αιχμηρές άκρες ή αναπήδησεις έχουν την τάση να προκαλούν εμπλοκή στο περιστρεφόμενο εξάρτημα και προκαλούν απώλεια ελέγχου ή κλότσημα.
- Μην προσαρμόζετε αλυσοπρίονο, λεπίδα ξυλογλυπτικής ή λάμα πριονιού με δόντια.** Τέτοιες λάμες προκαλούν συχνό κλότσημα και απώλεια ελέγχου.

## Προειδοποιήσεις ασφάλειας ειδικές για εργασίες λείανσης:

- Να χρησιμοποιείτε μόνο τύπους τροχών που συνιστώνται για χρήση με το δικό σας ηλεκτρικό εργαλείο και το συγκεκριμένο προφυλακτήρα που έχει σχεδιαστεί για τον επιλεγμένο τροχό.** Η παροχή επαρκούς προστασίας από τροχούς για τους οποίους δεν έχει σχεδιαστεί το ηλεκτρικό εργαλείο, δεν είναι δυνατή και επομένως οι τροχοί δεν είναι ασφαλείς.
- Η επιφάνεια λείανσης των τροχών με χαμηλωμένο κέντρο πρέπει να είναι στερεωμένη κάτω από το επίπεδο του προστατευτικού χείλους.** Ένας τροχός που δεν είναι στερεωμένος καλά ο οποίος προεξέχει μέσα από το επίπεδο του προστατευτικού χείλους δεν μπορεί να προστατευτεί επαρκώς.

- Η προσαρμογή του προφυλακτήρα στο ηλεκτρικό εργαλείο πρέπει να πραγματοποιείται με ασφάλεια και η τοποθέτηση του να παρέχει τη μέγιστη δυνατή προστασία, ώστε ελάχιστο τμήμα του τροχού να εκτίθεται προς το μέρος του χειριστή.** Ο προφυλακτήρας διευκολύνει την προστασία του χειριστή από σπασμένα θραύσματα του τροχού, τυχαία επαφή με τον τροχό και σπινθήρες που μπορούν να προκαλέσουν την ανάφλεξη ρουχισμού.
- Οι τροχοί πρέπει να χρησιμοποιούνται μόνο στις προβλεπόμενες εφαρμογές.**
- Να χρησιμοποιείτε πάντα φλάντζες τροχών που δεν έχουν υποστεί βλάβη και είναι κατάλληλου μεγέθους και σχήματος για τον επιλεγμένο τροχό.** Οι κατάλληλες φλάντζες τροχών υποστηρίζουν τους τροχούς και μειώνουν επομένως την πιθανότητα θραύσης τους.
- Μη χρησιμοποιείτε φθαρμένους τροχούς από μεγαλύτερα ηλεκτρικά εργαλεία.** Ένας τροχός που προορίζεται για χρήση με ένα μεγαλύτερο ηλεκτρικό εργαλείο δεν είναι κατάλληλος για την υψηλότερη ταχύτητα ενός μικρότερου εργαλείου και μπορεί να υποστεί θραύση.

## Προειδοποιήσεις ασφαλείας ειδικά για εργασίες καθαρισμού με συρματόβουρτσα:

- Να είστε προσεκτικοί επειδή συρματίνες τρίχες εκτινάσσονται από τη βούρτσα ακόμη και κάτω από συνθήκες συνθηκών λειτουργίας. Μην ασκείτε υπερβολική δύναμη στα σύρματα εφαρμόζοντας υπερβολικό φορτίο στη βούρτσα.** Οι συρματίνες τρίχες μπορούν να διαπεράσουν ελαφρό ρουχισμό ή/και το δέρμα με ευκολία.
- Αν συνιστάται η χρήση προφυλακτήρα για εργασίες καθαρισμού με συρματόβουρτσα, μην επιτρέψετε οποιαδήποτε παρεμπόδιση της λειτουργίας του συρματινού τροχού ή της βούρτσας από τον προφυλακτήρα.** Η διάμετρος ενός συρματινού τροχού ή βούρτσας μπορεί να αυξηθεί λόγω του φόρτου εργασίας και της φυγόκεντρου δύναμης.

## Πρόσθετες προειδοποιήσεις ασφάλειας:

- Όταν χρησιμοποιείτε τροχούς λείανσης με χαμηλό κέντρο, φροντίστε οι τροχοί να φέρουν ενίσχυση από ίνες γυαλιού μόνο.**
- Μην ΧΡΗΣΙΜΟΠΟΙΕΙΤΕ ΠΟΤΕ κωδωνοειδείς τροχούς λείανσης πέτρας με αυτόν τον λειαντήρα.** Αυτός ο λειαντήρας δεν έχει σχεδιαστεί για αυτούς τους τύπους τροχών και η χρήση ενός τέτοιου προϊόντος μπορεί να προκαλέσει σοβαρό τραυματισμό.
- Προσέξτε ώστε να μην προκαλέσετε βλάβη στην άρακτο, στη φλάντζες (ιδιαίτερα στην επιφάνεια εγκατάστασης) ή στο παζιμάδι.** Τυχόν βλάβη στα συγκεκριμένα μέρη θα μπορούσε να καταλήξει σε θραύση του τροχού.
- Φροντίστε ο τροχός να μην έρχεται σε επαφή με το τεμάχιο εργασίας πριν από την ενεργοποίηση του διακόπτη.**
- Πριν από τη χρήση του τροχού πάνω σε πραγματικό τεμάχιο εργασίας, αφήστε τον σε λειτουργία για μικρό χρονικό διάστημα. Παρατηρήστε αν υπάρχουν δονήσεις ή ταλάντευση που υποδηλώνουν κακή εγκατάσταση ή τροχό με κακή ισοροπία.**



6. Χρησιμοποιήστε την προκαθορισμένη επιφάνεια του τροχού για να εκτελέσετε την εργασία λείανσης.
7. Μην αφήνετε το εργαλείο αναμμένο. Χειρίζεστε το εργαλείο μόνο όταν το κρατάτε στο χέρι.
8. Μην αγγίζετε το τεμάχιο εργασίας αμέσως μετά τη λειτουργία. Μπορεί να είναι υπερβολικά καυτό και να προκαλέσει έγκαυμα.
9. Μην αγγίζετε τα εξαρτήματα αμέσως μετά τη λειτουργία. Μπορεί να είναι υπερβολικά καυτό και να προκαλέσει έγκαυμα στο δέρμα σας.
10. Μελετήστε τις οδηγίες του κατασκευαστή για σωστή τοποθέτηση και χρήση των τροχών. Χειριστείτε και αποθηκεύστε τους τροχούς με φροντίδα.
11. Μη χρησιμοποιείτε ξεχωριστές συστολές ή προσαρμογείς για να προσαρμόσετε λειαντικούς τροχούς με μεγάλη οπή προσαρμογής.
12. Χρησιμοποιείτε φλάντζες κατάλληλες για το εργαλείο.
13. Για εργαλεία στα οποία πρόκειται να τοποθετηθεί τροχός με οπή με σπείρωμα, σιγουρευτείτε ότι το σπείρωμα στον τροχό έχει επαρκές μήκος για να δεχτεί το μήκος της ατράκτου.
14. Ελέγξτε ότι το τεμάχιο εργασίας υποστηρίζεται σταθερά.
15. Προσέξτε ότι ο τροχός συνεχίζει να περιστρέφεται ακόμη και αφού το εργαλείο έχει σβήσει.
16. Αν το μέρος εργασίας είναι πολύ ζεστό και υγρό, ή υπάρχει πολύ αγωγίμη σκόνη, χρησιμοποιήστε ένα ασφαλειοδιακόπτη βραχυκυκλώματος (30 mA) για να είστε σίγουροι για ασφαλή λειτουργία.
17. Μη χρησιμοποιείτε το εργαλείο σε κανένα υλικό που περιέχει αμίαντο.
18. Μη χρησιμοποιείτε υφασμάτινα γάντια εργασίας κατά τη λειτουργία. Οι ίνες από τα υφασμάτινα γάντια μπορεί να εισέλθουν στο εργαλείο, γεγονός που προκαλεί το σπάσιμο του εργαλείου.

## ΦΥΛΑΞΕΤΕ ΑΥΤΕΣ ΤΙΣ ΟΔΗΓΙΕΣ.

**▲ΠΡΟΕΙΔΟΠΟΙΗΣΗ:** ΜΗΝ επιτρέψετε στην άνεση ή στην εξοικείωσή σας με το προϊόν (που αποκτήθηκε από επανειλημμένη χρήση) να αντικαταστήσει την αυστηρή τήρηση των κανόνων ασφαλείας του παρόντος εργαλείου. Η **ΛΑΝΘΑΣΜΕΝΗ ΧΡΗΣΗ** ή η αμέλεια να ακολουθήσετε τους κανόνες ασφαλείας που διατυπώνονται στο παρόν εγχειρίδιο οδηγιών μπορεί να προκαλέσει σοβαρό προσωπικό τραυματισμό.

## ΠΕΡΙΓΡΑΦΗ ΛΕΙΤΟΥΡΓΙΑΣ

**▲ΠΡΟΣΟΧΗ:** Να βεβαιώνεστε πάντα ότι το εργαλείο είναι σβηστό και αποσυνδεδεμένο από την ηλεκτρική παροχή πριν ρυθμίσετε ή ελέγχετε κάποια λειτουργία του.

### Εξάρτημα κλειδώματος άξονα

Πιέστε το εξάρτημα κλειδώματος άξονα για να εμποδίσετε την περιστροφή της ατράκτου όταν τοποθετείτε ή αφαιρείτε εξαρτήματα.

► **Εικ.1:** 1. Εξάρτημα κλειδώματος άξονα

**ΕΙΔΟΠΟΙΗΣΗ:** Μην ενεργοποιείτε ποτέ το εξάρτημα κλειδώματος άξονα όταν κινείται η άτράκτος. Μπορεί να προκληθεί βλάβη στο εργαλείο.

### Δράση διακόπτη

**▲ΠΡΟΣΟΧΗ:** Πριν από τη σύνδεση του εργαλείου στην ηλεκτρική παροχή, να ελέγχετε πάντα ότι η σκανδάλη διακόπτης ενεργοποιείται σωστά και επιστρέφει στη θέση «OFF» όταν την αφήνετε.

**▲ΠΡΟΣΟΧΗ:** Μην τραβάτε το μοχλό διακόπτη δυνατά χωρίς να πατήσετε το κουμπί απασφάλισης. Ο διακόπτης μπορεί να σπάσει.

Για να μην πιέζεται ο μοχλός διακόπτης κατά λάθος, παρέχεται ένας μοχλός απασφάλισης. Για να ξεκινήσει η λειτουργία του εργαλείου, τραβήξτε το μοχλό απασφάλισης προς τη μεριά του χειριστή και κατόπιν τραβήξτε το μοχλό διακόπτη. Ελευθερώστε το μοχλό διακόπτη για να σταματήσει.

► **Εικ.2:** 1. Μοχλός απασφάλισης  
2. Μοχλός-διακόπτης

### Προστασία από αθέλητη επανεκκίνηση

Το εργαλείο δεν ξεκινάει ενώ τραβάτε το μοχλό διακόπτη ακόμη και όταν το εργαλείο είναι συνδεδεμένο. Για να ξεκινήσετε το εργαλείο, απλώς απασφαλίστε το μοχλό-διακόπτη. Μετά, τραβήξτε το μοχλό απασφάλισης και τραβήξτε το μοχλό-διακόπτη.

**ΠΑΡΑΤΗΡΗΣΗ:** Περιμένετε περισσότερο από ένα δευτερόλεπτο πριν επανεκκινήσετε το εργαλείο όταν τεθεί σε λειτουργία η διάταξη προστασίας από αθέλητη επανεκκίνηση.

### Δυνατότητα ομαλής έναρξης

Η δυνατότητα ομαλής έναρξης καταστέλλει την αιφνίδια έναρξη.

# ΣΥΝΑΡΜΟΛΟΓΗΣΗ

**⚠ ΠΡΟΣΟΧΗ:** Να βεβαιώνετε πάντα ότι το εργαλείο είναι σβηστό και αποσυνδεδεμένο από την ηλεκτρική παροχή πριν εκτελέσετε οποιαδήποτε εργασία σε αυτό.

## Τοποθέτηση πλάγιας λαβής (λαβή)

**⚠ ΠΡΟΣΟΧΗ:** Πριν από τη λειτουργία, να βεβαιώνετε πάντα ότι η πλάγια λαβή έχει τοποθετηθεί με ασφάλεια.

Βιδώστε την πλάγια λαβή με ασφάλεια στη θέση του εργαλείου όπως απεικονίζεται στην εικόνα.

▶ **Εικ.3**

## Ρύθμιση γωνίας του προφυλακτήρα τροχού

**⚠ ΠΡΟΕΙΔΟΠΟΙΗΣΗ:** Να βεβαιώνετε ότι ο προφυλακτήρας τροχού είναι καλά ασφαλισμένος με το μοχλό κλειδώματος σε μία από τις οπές στον προφυλακτήρα τροχού.

Η κλίση του προφυλακτήρα τροχού μπορεί να ρυθμιστεί. Ενώ ωθείτε τον μοχλό κλειδώματος, περιστρέψτε τον προφυλακτήρα τροχού προς το Β και, στη συνέχεια, αλλάξτε τη γωνία του προφυλακτήρα τροχού ανάλογα με την εργασία για να είναι ο χειριστής προστατευμένος. Ευθυγραμμίστε τον μοχλό κλειδώματος με μία από τις οπές στον προφυλακτήρα τροχού και, στη συνέχεια, απελευθερώστε τον μοχλό κλειδώματος για να ασφαλίσετε τον προφυλακτήρα τροχού.

▶ **Εικ.4:** 1. Προφυλακτήρας τροχού 2. Οπή

## Τοποθέτηση ή αφαίρεση τροχού χαμηλωμένου κέντρου ή δίσκου λείανσης

### Προαιρετικό εξάρτημα

**⚠ ΠΡΟΕΙΔΟΠΟΙΗΣΗ:** Όταν χρησιμοποιείτε τροχό χαμηλωμένου κέντρου ή δίσκο λείανσης, ο προφυλακτήρας τροχού πρέπει να τοποθετηθεί στο εργαλείο ώστε η κλειστή πλευρά του προφυλακτήρα να είναι πάντα στραμμένη προς τον χειριστή.

**⚠ ΠΡΟΣΟΧΗ:** Βεβαιωθείτε ότι το τμήμα στερέωσης της εσωτερικής φλάντζας ταιριάζει καλά στην εσωτερική διάμετρο του τροχού χαμηλωμένου κέντρου / δίσκου λείανσης. Η στερέωση της εσωτερικής φλάντζας στη λανθασμένη πλευρά μπορεί να οδηγήσει σε επικίνδυνο κραδασμό.

Στερεώστε την εσωτερική φλάντζα πάνω στην άτρακτο. Βεβαιωθείτε να προσαρμόσετε το εγχαραγμένο μέρος της εσωτερικής φλάντζας επάνω στο ευθύ μέρος στο κάτω μέρος της ατράκτου.

Εφαρμόστε τον τροχό χαμηλωμένου κέντρου / δίσκο λείανσης στην εσωτερική φλάντζα και βιδώστε το παξιμάδι ασφάλισης πάνω στην άτρακτο.

▶ **Εικ.5:** 1. Παξιμάδι ασφάλισης 2. Τροχός χαμηλωμένου κέντρου 3. Εσωτερική φλάντζα 4. Τμήμα στερέωσης

Για να σφίξετε το παξιμάδι ασφάλισης, πατήστε το εξάρτημα κλειδώματος άξονα σταθερά έτσι ώστε να μην μπορεί να περιστραφεί η άτρακτος, μετά χρησιμοποιήστε το κλειδί παξιμαδιού ασφάλισης και σφίξτε με ασφάλεια δεξιόστροφα.

▶ **Εικ.6:** 1. Κλειδί παξιμαδιού ασφάλισης 2. Εξάρτημα κλειδώματος άξονα

Για να αφαιρέσετε τον τροχό, ακολουθήστε τη διαδικασία τοποθέτησης με αντίστροφη σειρά.

## Τοποθέτηση ή αφαίρεση εύκαμπτου τροχού

### Προαιρετικό εξάρτημα

**⚠ ΠΡΟΕΙΔΟΠΟΙΗΣΗ:** Να χρησιμοποιείτε πάντα τον παρεχόμενο προφυλακτήρα όταν ο εύκαμπτος τροχός βρίσκεται στο εργαλείο. Ο τροχός μπορεί να υποστεί θραύση κατά τη χρήση και ο προφυλακτήρας διευκολύνει στη μείωση των πιθανοτήτων πρόκλησης τραυματισμού.

▶ **Εικ.7:** 1. Παξιμάδι ασφάλισης 2. Εύκαμπτος τροχός 3. Πέλημα υποστήριξης 4. Εσωτερική φλάντζα

Να ακολουθείτε τις οδηγίες για τον τροχό χαμηλωμένου κέντρου αλλά να χρησιμοποιείτε και το πέλημα υποστήριξης επάνω από τον τροχό. Δείτε τη σειρά συναρμολόγησης στη σελίδα των εξαρτημάτων του παρόντος εγχειριδίου.

# ΛΕΙΤΟΥΡΓΙΑ

**⚠ ΠΡΟΕΙΔΟΠΟΙΗΣΗ:** Δεν θα πρέπει ποτέ να εξασκείτε υπερβολική δύναμη στο εργαλείο. Το βάρος του εργαλείου εφαρμόζει αρκετή πίεση. Ο εξαναγκασμός και η υπερβολική πίεση μπορεί να προκαλέσουν επικίνδυνο σπάσιμο του τροχού.

**⚠ ΠΡΟΕΙΔΟΠΟΙΗΣΗ:** Να αντικαθιστάτε ΠΑΝΤΑ τον τροχό αν το εργαλείο πέσει κάτω κατά τη λείανση.

**⚠ ΠΡΟΕΙΔΟΠΟΙΗΣΗ:** Μη χτυπάτε ΠΟΤΕ το δίσκο λείανσης ή τον τροχό επάνω στο τεμάχιο εργασίας.

**⚠ ΠΡΟΕΙΔΟΠΟΙΗΣΗ:** Αποφύγετε τις αναπηδήσεις και τσιμπήματα του τροχού, ιδιαίτερα όταν εργάζεστε πάνω σε γωνίες, αιχμηρές άκρες κλπ. Αυτά μπορεί να προκαλέσουν απώλεια ελέγχου και τίναγμα προς τα πίσω.

**⚠ ΠΡΟΕΙΔΟΠΟΙΗΣΗ:** Μη χρησιμοποιείτε ΠΟΤΕ το εργαλείο με λάμες κοπής ξύλου και λάμα πριονιού. Τέτοιες λάμες όταν χρησιμοποιούνται συχνά στον λειαντή προκαλούν απώλεια ελέγχου από τα τινάγματα και οδηγούν σε προσωπικό τραυματισμό.

**⚠ ΠΡΟΕΙΔΟΠΟΙΗΣΗ:** Η συνεχόμενη χρήση ενός φθαρμένου τροχού μπορεί να έχει ως αποτέλεσμα την έκρηξη του τροχού και σοβαρό προσωπικό τραυματισμό.

**▲ ΠΡΟΣΟΧΗ:** Μη θέτετε ποτέ το εργαλείο σε λειτουργία όταν βρίσκεται σε επαφή με το τεμάχιο εργασίας επειδή μπορεί να προκληθεί τραυματισμός του χειριστή.

**▲ ΠΡΟΣΟΧΗ:** Κατά τη διάρκεια της λειτουργίας, να φοράτε πάντα προστατευτικά γυαλιά ή προσωπίδα.

**▲ ΠΡΟΣΟΧΗ:** Μετά τη λειτουργία, να σβήνετε πάντα το εργαλείο και να περιμένετε μέχρι ο τροχός να σταματήσει τελείως πριν αφήσετε κάτω το εργαλείο.

**▲ ΠΡΟΣΟΧΗ:** Να κρατάτε ΠΑΝΤΑ το εργαλείο σταθερά με το ένα χέρι στο περίβλημα και με το άλλο χέρι στην πλάγια λαβή (λαβή).

## Λειτουργία με τροχό/δίσκο

### ► Εικ.8

Θέστε το εργαλείο σε λειτουργία και μετά εφαρμόστε τον τροχό ή το δίσκο στο τεμάχιο εργασίας.

Σε γενικές γραμμές, να κρατάτε την άκρη του τροχού ή του δίσκου σε γωνία περίπου 15 μοιρών ως προς την επιφάνεια του τεμαχίου εργασίας. Κατά τη διάρκεια της περιόδου στρωσίματος ενός καινούργιου τροχού, μη χειρίζεστε τον λειαντή προς την εμπρόσθια κατεύθυνση επειδή θα προκαλέσει κοπή του τεμαχίου εργασίας. Μόλις στοιγγυλοποιηθεί η άκρη του τροχού από τη χρήση, ο τροχός μπορεί να χρησιμοποιηθεί προς την εμπρόσθια και οπίσθια κατεύθυνση.

## Λειτουργία με συρμάτινη βούρτσα σχήματος τροχού

### Προαιρετικό εξάρτημα

**▲ ΠΡΟΣΟΧΗ:** Ελέγξτε τη λειτουργία της συρμάτινης βούρτσας σχήματος τροχού θέτοντας το εργαλείο σε λειτουργία χωρίς φορτίο, φροντίζοντας να μην υπάρχει κανείς μπροστά ή σε ευθεία γραμμή με τη βούρτσα.

**▲ ΠΡΟΣΟΧΗ:** Μη χρησιμοποιείτε συρμάτινη βούρτσα σχήματος τροχού η οποία έχει υποστεί ζημιά ή η οποία δεν είναι κατάλληλα ζυγοσταθμισμένη. Η χρήση συρμάτινης βούρτσας σχήματος τροχού που έχει υποστεί ζημιά θα μπορούσε να αυξήσει τον κίνδυνο τραυματισμού λόγω επαφής με κομμένα τεμάχια συρμάτων.

**▲ ΠΡΟΣΟΧΗ:** Να χρησιμοποιείτε ΠΑΝΤΑ προφυλακτήρα με τις συρμάτινες βούρτσες σχήματος τροχού, φροντίζοντας ώστε η διάμετρος του τροχού να επιτρέπει την εφαρμογή του μέσα στον προφυλακτήρα. Ο τροχός μπορεί να υποστεί θραύση κατά τη χρήση και ο προφυλακτήρας διευκολύνει στη μείωση των πιθανοτήτων πρόκλησης τραυματισμού.

### ► Εικ.9: 1. Συρμάτινη βούρτσα σχήματος τροχού

Αποσυνδέστε το εργαλείο και τοποθετήστε το ανάποδα ώστε να διευκολυνθείτε στην πρόσβαση της άτρακτου. Αφαιρέστε οποιαδήποτε εξαρτήματα από την άτρακτο. Τοποθετήστε τη συρμάτινη βούρτσα σχήματος τροχού στην άτρακτο και σφίξτε με τα κλειδιά.

**ΕΙΔΟΠΟΙΗΣΗ:** Φροντίστε να μην ασκείτε πολύ μεγάλη πίεση η οποία προκαλεί υπερβολικό λύγισμα των συρμάτων κατά τη χρήση της συρμάτινης βούρτσας σχήματος τροχού. Μπορεί να προκαλέσει πρόωρο σπάσιμο.

## Σύνδεση αναδέτη (ιμάντας πρόσδεσης)

**▲ Προειδοποιήσεις ασφαλείας ειδικά για χρήση από ύψος**

Διαβάστε όλες τις προειδοποιήσεις για την ασφάλεια και τις οδηγίες. Η μη τήρηση των προειδοποιήσεων και οδηγιών μπορεί να έχει ως αποτέλεσμα σοβαρό τραυματισμό.

1. Να διατηρείτε πάντα το εργαλείο προσδεμένο όταν εργάζεστε από ύψος. Το μέγιστο μήκος αναδέτη είναι 2 m. Το μέγιστο επιτρεπτό ύψος πτώσης για τον αναδέτη (ιμάντα πρόσδεσης) δεν πρέπει να ξεπερνάει τα 2 m.
2. Να χρησιμοποιείτε μόνο με αναδέτες κατάλληλους για αυτόν τον τύπο εργαλείου και με ονομαστική τιμή τουλάχιστον 4,0 kg.
3. Μην αγκυρώνετε τον αναδέτη εργαλείου σε οτιδήποτε υπάρχει επάνω στο σώμα σας ή σε κινητά εξαρτήματα. Να αγκυρώνετε τον αναδέτη εργαλείου σε μια άκαμπτη δομή που μπορεί να αντέξει στις δυνάμεις που ασκεί ένα εργαλείο που πέφτει.
4. Βεβαιωθείτε ότι ο αναδέτης είναι σωστά ασφαλισμένος σε κάθε άκρο πριν από τη χρήση.
5. Επιθεωρήστε το εργαλείο και τον αναδέτη πριν από κάθε χρήση για ζημιά και σωστή λειτουργία (συμπεριλαμβανομένου του υφάσματος και των ραφών). Μην χρησιμοποιείτε αν υπάρχει ζημιά ή δεν λειτουργεί σωστά. Το εργαλείο πρέπει να επισκευαστεί ειδικά όταν εμφανίζεται μια ρωγμή ή κόκκινη γραμμή γύρω από την οπή για τον αναδέτη.
6. Μην περιτυλίγετε τους αναδέτες και μην τους αφήνετε να έρθουν σε επαφή με αιχμηρά ή σκληρά άκρα.
7. Συνδέστε το άλλο άκρο του αναδέτη σε ένα σημείο έξω από το χώρο εργασίας ώστε το εργαλείο να συγκρατηθεί με ασφάλεια στην περίπτωση που πέσει.
8. Προσδέστε τον αναδέτη με τρόπο ώστε το εργαλείο να απομακρυνθεί από τον χειριστή σε περίπτωση που πέσει. Τα εργαλεία που πέφτουν αιωρούνται στον αναδέτη, γεγονός που μπορεί να προκαλέσει τραυματισμό και απώλεια ισορροπίας.
9. Μην χρησιμοποιείτε κοντά σε κινούμενα μέρη ή σε μηχανήματα που βρίσκονται σε λειτουργία. Η μη τήρηση αυτού μπορεί να έχει ως αποτέλεσμα κίνδυνο σύνθλιψης ή εμπλοκής.
10. Μην μεταφέρετε το εργαλείο από τη διάταξη σύνδεσης ή τον αναδέτη.
11. Να μεταφέρετε το εργαλείο μεταξύ των χεριών σας μόνο ενώ είστε καλά ισορροπημένοι.
12. Μην συνδέετε αναδέτες στο εργαλείο με τρόπο που εμποδίζει τη σωστή λειτουργία των προστατευτικών, διακοπών ή απασφαλίσεων.
13. Αποφύγετε την εμπλοκή με τον αναδέτη.
14. Κρατήστε τον αναδέτη μακριά από την περιτομή κοπής του εργαλείου.

15. Χρησιμοποιήστε καραμπίνερ ασφάλισης (τύπου πολλών δράσεων και βιδωτού κλεισίματος). Μην χρησιμοποιείτε καραμπινέρ με ελατηριωτά κλιπ μίας δράσης.
16. Στην περίπτωση που το εργαλείο πέσει, πρέπει να επισημανθεί και να μην χρησιμοποιηθεί ξανά, και να επιθεωρηθεί από εργοστάσιο ή εξουσιοδοτημένο κέντρο σέρβις της Makita.
17. Να συνδέετε τον αναδέτη μόνο με καραμπίνερ ασφάλισης. Μην συνδέετε τον αναδέτη με βρόχο ή κόμπο. Μην χρησιμοποιείτε σκοινιά ή σύρματα.

► **Εικ.10:** 1. Οπή για αναδέτη (ιμάντα πρόσδεσης)

## ΣΥΝΤΗΡΗΣΗ

**▲ΠΡΟΣΟΧΗ:** Να βεβαιώνεστε πάντα ότι το εργαλείο είναι σβηστό και αποσυνδεδεμένο από την ηλεκτρική παροχή πριν εκτελέσετε οποιαδήποτε εργασία επιθεώρησης ή συντήρησης σε αυτό.

**ΕΙΔΟΠΟΙΗΣΗ:** Μην χρησιμοποιείτε ποτέ βενζίνη, πετρελαϊκό αιθέρα, διαλυτικό, αλκοόλη ή παρόμοιες ουσίες. Μπορεί να προκληθεί αποχρωματισμός, παραμόρφωση ή ρωγμές.

Για τη διατήρηση της ΑΣΦΑΛΕΙΑΣ και ΑΞΙΟΠΙΣΤΙΑΣ του προϊόντος, οι επισκευές και οποιαδήποτε άλλη εργασία συντήρησης ή ρύθμισης πρέπει να εκτελούνται από εξουσιοδοτημένα ή εργοστασιακά κέντρα εξυπηρέτησης της Makita, χρησιμοποιώντας πάντοτε ανταλλακτικά της Makita.

## Καθαρισμός ανοιγμάτων εξαερισμού

Το εργαλείο και τα ανοίγματα εξαερισμού του πρέπει να διατηρούνται καθαρά. Να καθαρίζετε τακτικά τα ανοίγματα εξαερισμού του εργαλείου ή όταν αυτά αρχίσουν να φράσσονται.

► **Εικ.11:** 1. Άνοιγμα εξόδου αέρα 2. Άνοιγμα εισόδου αέρα

## ΠΡΟΑΙΡΕΤΙΚΑ ΕΞΑΡΤΗΜΑΤΑ

**▲ΠΡΟΣΟΧΗ:** Αυτά τα εξαρτήματα ή προσαρτήματα συνιστώνται για χρήση με το εργαλείο Makita που περιγράφηκε στις οδηγίες αυτές. Η χρήση οποιονδήποτε άλλων εξαρτημάτων ή προσαρτημάτων μπορεί να προκαλέσει κίνδυνο τραυματισμού σε άτομα. Να χρησιμοποιείτε τα εξαρτήματα ή προσαρτήματα μόνο για την χρήση που προορίζονται.

Εάν χρειάζεστε οποιαδήποτε βοήθεια για περισσότερες πληροφορίες σε σχέση με αυτά τα εξαρτήματα, αποτανθείτε στο τοπικό σας κέντρο εξυπηρέτησης Makita.

► **Εικ.12**

-	Μοντέλο 100 mm	Μοντέλο 115 mm	Μοντέλο 125 mm
1	Πλάγια λαβή		
2	Εσωτερική φλάντζα	Εσωτερική φλάντζα / Υπερφλάντζα	
3	Τροχός χαμηλωμένου κέντρου / Δίσκος λείανσης		
4	Παξιμάδι ασφάλισης		
5	Πέλα υποστήριξης		
6	Εύκαμπτος τροχός		
7	Συρμάτινη βούρτσα σχήματος τροχού		
-	Κλειδί παξιμαδιού ασφάλισης		
-	Εξάρτημα καλύμματος σκόνης		

**ΠΑΡΑΤΗΡΗΣΗ:** Μερικά στοιχεία στη λίστα μπορεί να συμπεριλαμβάνονται στη συσκευασία εργαλείου ως στάνταρ εξαρτήματα. Μπορεί να διαφέρουν ανάλογα με τη χώρα.

## TEKNİK ÖZELLİKLER

Model:	GA4051R	GA4551R	GA5051R
Disk çapı	100 mm (4")	115 mm (4-1/2")	125 mm (5")
Maks. disk kalınlığı	6,4 mm (1/4")	7,2 mm (9/32")	
Mil dişi	M10	M14 veya 5/8"	
Anma hızı (n)	11.000 min <sup>-1</sup>		
Toplam uzunluk	325 mm		
Net ağırlık	2,3 - 2,5 kg	2,5 - 2,7 kg	
Emniyet sınıfı	□/II		

- Sürekli yapılan araştırma ve geliştirmelerden dolayı, burada belirtilen özellikler önceden bildirilmeksizin değiştirilebilir.
- Özellikler ülkeden ülkeye değişebilir.
- Ağırlık, ek parçaya(parçalara) bağlı olarak değişebilir. En hafif ve en ağır kombinasyon, EPTA Prosedürü 01/2014'e göre, tabloda gösterilmiştir.

### Kullanım amacı

Alet; su kullanmadan taşlama yapmak için tasarlanmıştır.

### Güç kaynağı

Aletin, yalnızca isim levhasında belirtilenle aynı voltajlı güç kaynağına bağlanması gerekir ve yalnızca tek fazlı AC güç kaynağıyla çalıştırılabilir. Çifte yalıtımlıdır ve topraklamasız prizlerle de kullanılabilir.

### Gürültü

Tipik A-ağırlıklı gürültü düzeyi (EN60745-2-3 standardına göre belirlenen):

Model	Ses basıncı seviyesi (L <sub>WA</sub> ): (dB (A))	Ses gücü seviyesi (L <sub>WA</sub> ): (dB (A))	Belirsizlik (K): (dB (A))
GA4051R	91	102	3
GA4551R	91	102	3
GA5051R	91	102	3

**NOT:** Beyan edilen gürültü emisyonu değer(ler)i bir standart test yöntemine uygun şekilde ölçülmüştür ve bir aletle bir başkasıyla karşılaştırmak için kullanılabilir.

**NOT:** Beyan edilen gürültü emisyonu değer(ler)i bir ön maruz kalma değerlendirmesi olarak da kullanılabilir.

**⚠UYARI:** Kulak koruyucuları takın.

**⚠UYARI:** Elektrikli aletin gerçek kullanımı sırasındaki gürültü emisyonu, aletin kullanım biçimlerine, özellikle işlenen iş parçasının türüne bağlı olarak beyan edilen değer(ler)den farklı olabilir.

**⚠UYARI:** Gerçek kullanım koşullarındaki tahmini maruziyeti baz alan, operatörü koruyacak güvenlik önlemlerini mutlaka belirleyin (çalışma döngüsü içerisinde aletin kapalı olduğu ve aktif durumda olmasının yanı sıra boşta çalıştığı zamanlar gibi, bütün zaman dilimleri göz önünde bulundurarak).

### Titreşim

Titreşim toplam değeri (üç eksenli vektör toplamı) (EN60745-2-3 standardına göre hesaplanan):

**Çalışma modu:** normal yan kavrama kolu ile yüzey taşlama

Model	Titreşim emisyonu (a <sub>h, AG</sub> ): (m/s <sup>2</sup> )	Belirsizlik (K): (m/s <sup>2</sup> )
GA4051R	6,5	1,5
GA4551R	7,0	1,5
GA5051R	7,5	1,5

## Çalışma modu: titreşim önleyici yan kavrama kolu ile yüzey taşılama

Model	Titreşim emisyonu ( $a_{h, AG}$ ): (m/s <sup>2</sup> )	Belirsizlik (K): (m/s <sup>2</sup> )
GA4051R	5,5	1,5
GA4551R	7,0	1,5
GA5051R	8,5	1,5

## Çalışma modu: normal yan kavrama kolu ile disk zımparalama

Model	Titreşim emisyonu ( $a_{h, AG}$ ): (m/s <sup>2</sup> )	Belirsizlik (K): (m/s <sup>2</sup> )
GA4051R	2,5 m/s <sup>2</sup> 'den az	1,5
GA4551R	2,5	1,5
GA5051R	2,5 m/s <sup>2</sup> 'den az	1,5

## Çalışma modu: titreşim önleyici yan kavrama kolu ile disk zımparalama

Model	Titreşim emisyonu ( $a_{h, AG}$ ): (m/s <sup>2</sup> )	Belirsizlik (K): (m/s <sup>2</sup> )
GA4051R	2,5 m/s <sup>2</sup> 'den az	1,5
GA4551R	2,5 m/s <sup>2</sup> 'den az	1,5
GA5051R	2,5 m/s <sup>2</sup> 'den az	1,5

**NOT:** Beyan edilen titreşim toplam değer(ler)i bir standart test yöntemine uygun şekilde ölçülmüştür ve bir aleti bir başkasıyla karşılaştırmak için kullanılabilir.

**NOT:** Beyan edilen titreşim toplam değer(ler)i bir ön maruz kalma değerlendirmesi olarak da kullanılabilir.

**⚠UYARI:** Elektrikli aletin gerçek kullanımı sırasındaki titreşim emisyonu, aletin kullanım biçimlerine, özellikle işlenen iş parçasının türüne bağlı olarak beyan edilen değer(ler)den farklı olabilir.

**⚠UYARI:** Gerçek kullanım koşullarındaki tahmini maruziyeti baz alan, operatörü koruyacak güvenlik önlemlerini mutlaka belirleyin (çalışma döngüsü içerisinde aletin kapalı olduğu ve aktif durumda olmasının yanı sıra boşta çalıştığı zamanlar gibi, bütün zaman dilimleri göz önünde bulundurarak).

**⚠UYARI:** Beyan edilen titreşim emisyon değeri bu elektrikli aletin başlıca uygulamaları için kullanılır. Ancak, bu elektrikli alet başka uygulamalar için kullanılırsa titreşim emisyon değeri farklı olabilir.

## EC Uygunluk Beyanı

### Sadece Avrupa ülkeleri için

EC uygunluk beyanı bu kullanım kılavuzuna Ek A olarak eklenmiştir.

## GÜVENLİK UYARILARI

### Genel elektrikli alet güvenliği uyarıları

**⚠UYARI:** Bu elektrikli aletle birlikte sunulan tüm güvenlik uyarılarını, talimatları, çizimleri ve teknik özellikleri okuyun. Aşağıda verilen talimatlara uyulmaması elektrik şoku, yangın ve/veya ciddi yaralanmalar ile sonuçlanabilir.

## Tüm uyarıları ve talimatları ile-ride başvurmak için saklayın.

Uyarılardaki "elektrikli alet" terimi ile ya prizden çalışan (kordonlu) elektrikli aletiniz ya da kendi aküsü ile çalışan (kordonsuz) elektrikli aletiniz kastedilmektedir.

## Taşılama güvenlik uyarıları

### Taşılama, Tel Fırça İşlemleri için Ortak Güvenlik Uyarıları:

- Bu elektrikli el aleti bir taşıma makinesi ya da tel fırça olarak görev yapmak üzere tasarlanmıştır. Bu elektrikli aletle birlikte verilen tüm güvenlik uyarılarını, talimatları, resimli açıklamaları ve özellik tablolarını okuyun.** Aşağıda listelenen talimatların herhangi birine uyulmaması elektrik şoku, yangın ve/veya ciddi yaralanmalar ile sonuçlanabilir.
- Bu elektrikli aletle polisaj, zımparalama ve kesme gibi işlemlerin yapılması tavsiye edilmez.** Bu elektrikli aletin tasarım amacına uygun olmayan işlemler tehlike oluşturabilir ve yaralanmaya neden olabilir.
- Aletin imalatçısı tarafından özel olarak tasarlanmamış ve tavsiye edilmeyen aksesuarları kullanmayın.** Bir aksesuarın yalnızca elektrikli aletinize takılabiliyor olması, onun güvenli çalışacağını garanti etmez.
- Aksesuarın anma hızı en azından elektrikli aletin üstünde belirtilen maksimum hıza eşit olmalıdır.** Anma hızlarından daha hızlı çalışan aksesuarlar kırılabilir ve fırlayabilir.
- Aksesuarınızın dış çapı ve kalınlığı elektrikli aletinizin kapasite derecelendirmesi dahilinde olmalıdır.** Doğru boyutta olmayan aksesuarlar yeterince korunamayabilir ve kontrol edilemeyebilir.

6. **Aksesuarların dışı montaj parçaları taşıma makinesinin mil dişine tam olarak uymalıdır. Flaş yardımcıyla takılan aksesuarlar için, aksesuarın mil delikleri flaşın yerleştirme çapına uygun olmalıdır.** Elektrikli aletin monte edildiği kısıma uymayan aksesuarlar dengesi döner, aşırı titreşim yapar ve kontrolde çıkabilir.
7. **Hasarlı bir aksesuarı kullanmayın. Her kullandıktan önce tel fırça gibi aksesuarlarda gevşeklik veya kırık tel olmadığını kontrol edin. Eğer elektrikli alet veya aksesuar düşürülürse, hasar muayenesi yapın veya hasarsız bir aksesuar takın. Bir aksesuarı muayene ettikten ve taktıktan sonra, kendinizi ve civardaki insanları döner aksesuarın düzleminden uzak tutun ve elektrikli aleti bir dakika boyunca maksimum yüksüz hızda çalıştırın.** Bu test çalıştırması sırasında normal olarak hasarlı aksesuarlar kopar.
8. **Kişisel koruyucu donanım kullanın. Uygulamaya bağlı olarak yüz siperleri veya güvenlik gözlükleri kullanın. Uygun görüldüğü şekilde toz maskesi, kulak koruyucuları, eldiven ve küçük aşındırıcı parçalardan veya iş parçasından kopan küçük parçalardan sizi koruyabilecek iş önlüğü takın.** Göz koruyucu, çeşitli işlemlerin üreteceği uçan kırıntıları durdurabilecek nitelikte olmalıdır. Toz maskesi veya solunum cihazı yaptığınız işlemin üreteceği küçük parçacıkları süzebilecek nitelikte olmalıdır. Uzun süre yüksek yoğunlukta gürültüye maruz kalmak işitme kaybına neden olabilir.
9. **Civarda bulunanları çalışma alanından güvenli bir uzaklıkta tutun. Çalışma alanına giren herkes kişisel koruyucu donanım kullanmalıdır.** İş parçasının veya kırılan bir aksesuarın kırıkları uzağa fırlayıp, çalışma yerinin ötesinde yaralanmalara neden olabilir.
10. **Kesici aksesuarın görünmeyen kabloları ya da aletin kendi kordonuna temas etme olasılığı bulunan yerlerde çalışırken elektrikli aleti sadece yalıtımlı kavrama yüzeyinden tutun.** Kesici aksesuarın "akımlı" bir telle temas etmesi elektrikli aletin yalıtımsız metal kısımlarını "akımlı" hale getirebilir ve kullanıcıyı elektrik şokuna maruz bırakabilir.
11. **Kordonu döner aksesuardan uzakta tutun.** Eğer kontrolü kaybederseniz, kordon kesilebilir veya takılabilir ve eliniz ya da kolunuz döner aksesuara çekilebilir.
12. **Aksesuar tamamen durmadan önce elektrikli aleti kesinlikle yere koymayın.** Döner aksesuar yere sürtünüp, elektrikli aletin kontrolünüz dışında fırlamasına neden olabilir.
13. **Elektrikli aleti yanınızda taşırken çalıştırmayın.** Giysilerinizin kazayla döner aksesuara temas etmesi giysinizin sıkışmasına neden olarak aksesuarı vücudunuza çekebilir.
14. **Elektrikli aletin hava deliklerini düzenli olarak temizleyin.** Motorun fanı tozu gövdenin içine çeker ve aşırı toz metal birikimi elektrik tehlikelerine neden olabilir.
15. **Elektrikli aleti tutuşabilen malzemelerin yakınında kullanmayın.** Kivılcıklar bu malzemeleri tutuşturabilir.
16. **Sıvı soğutucu gerektiren aksesuarlar kullanmayın.** Su veya diğer sıvı soğutucuların kullanılması elektrik çarpmasına veya şokuna neden olabilir.

## **Geri Tepme ve İlgili Uyarılar**

Geri tepme sıkışan veya takılan bir döner diske, taban altlığına, fırçaya veya başka bir aksesuara verilen ani bir tepkidir. Sıkışma veya takılma döner aksesuarın aniden durmasına ve bu da elektrikli aletin tutukluk noktasında aksesuarın dönme yönünün tersi doğrultuda kontrolsüz şekilde itilmesine neden olur.

Örneğin, eğer bir aşındırıcı disk iş parçasına takılır veya sıkışarsa, sıkışma noktasına giren diskin kenarı malzeme yüzeyine batarak, diskin dışarı tırmanmasına veya tepmesine neden olabilir. Disk, sıkışma noktasında diskin hareket yönüne bağlı olarak operatöre veya ondan uzağa doğru sıçrayabilir. Bu koşullarda aşındırıcı diskler kırılabilir de.

Geri tepme elektrikli aletin yanlış kullanılması ve/veya yanlış kullanım usulleri veya koşullarının bir sonucudur ve aşağıda belirtildiği gibi doğru önlemlerle önlenbilir.

1. **Elektrikli aleti daima sıkıca kavrayın ve vücudunuzun ve kolunuzun duruşunu geri tepme kuvvetlerine direnç gösterecek şekilde ayarlayın. İlk çalıştırma sırasında geri tepme veya tork etkisi üzerinde maksimum kontrol sağlamak için, eğer varsa, daima yardımcı sapı kullanın.** Eğer doğru önlemler alınrsa, operatör tork etkilerini veya geri tepme kuvvetlerini kontrol edebilir.
2. **Elinizi kesinlikle döner aksesuarın yakınına koymayın.** Aksesuar elinizin üstüne doğru geri tepebilir.
3. **Vücudunuza geri tepme halinde elektrikli aletin fırlayacağı alanda bulundurmayın.** Geri tepme aleti takılma noktasında diskin hareketinin tersi yönde iter.
4. **Köşelerde, keskin kenarlarda, vb. çalışırken özel dikkat gösterin. Aksesuarın zıplamasından ve takılmasından kaçının.** Köşelerde, keskin kenarlarda veya zıplama halinde döner aksesuarın takılma eğilimi vardır ve kontrol kaybına ve geri tepmeye neden olur.
5. **Bir zincir testere, oyma bıçağı veya dişli testere bıçağı takmayın.** Bu bıçağlar sıkça geri tepme ve kontrol kaybı yaratır.

## **Taşıma İşlemlerine Özel Güvenlik Uyarıları:**

1. **Sadece elektrikli aletiniz için tavsiye edilen diskleri ve seçilen disk için özel olarak tasarlanmış siperi kullanın.** Elektrikli aletin tasarımı uygun olmayan diskler yeterli şekilde koruma altına alınmayabilir ve güvensizdir.
2. **Merkezden basmalı disklerin taşıma yüzeyi, koruyucu kapak çarkı düzleminin altına monte edilmelidir.** Koruyucu kapak çarkının üzerine doğru çinkinti yapacak şekilde hatalı monte edilmiş bir disk yeterli ölçüde kapatamaz.
3. **Siper elektrikli alete sıkı şekilde takılı olmalı ve diskin operatöre doğru açığa kalan kısmı en az olacak şekilde maksimum güvenlik için konumlandırılmalıdır.** Siper, operatörün kırılan disk parçalarından, kazayla diske temas etmekten ve giysileri tutuşturabilecek kıvılcıklardan korunmasına yardımcı olur.
4. **Diskler sadece tavsiye edilen uygulamalarda kullanılmalıdır.**
5. **Daima seçtiğiniz disk için doğru boyut ve şekilde hasarsız flaşlar kullanın.** Doğru flaşlar diski destekleyerek, disk kırılması olasılığını azaltır.
6. **Daha büyük elektrikli aletlerin aşınarak küçülmüş disklerini kullanmayın.** Daha büyük elektrikli aletler için tasarlanmış küçük aletlerin daha yüksek hızlarına uygun olmayabilir ve parçalanabilir.



### Tel Fırça İşlemlerine Özgü Güvenlik Uyarıları:

1. Olağan işlemler sırasında bile fırçadan tellerin fırlayabileceği konusunda uyanık olun. Fırçaya aşırı yük uygulayarak telleri aşırı zorlamayın. Teller kolaylıkla ince giysilere ve/veya cilde bataabilir.
2. Tel fırça işlemi için bir siper kullanılması tavsiye ediliyorsa, tel diskin veya fırçanın siper tarafından engellenmemesini sağlayın. Tel disk veya fırça iş yüküne veya merkezkaç kuvvetlerine bağlı olarak genişleyebilir.

### Ek Güvenlik Uyarıları:

1. Merkezden basmal taşlama diskleri kullanırsanız, mutlaka sadece fiberglas takviyeli diskler kullanın.
2. Bu taşlama makinesiyle Taş Çanak tipi diskleri KESİNLİKLE KULLANMAYIN. Bu taşlama makinesi bu tip diskler için tasarlanmamıştır ve böyle bir ürün kullanılması ciddi yaralanmalara neden olabilir.
3. Mile, flanşa (özellikle takma yüzeyine) veya kilit somununa zarar vermeye dikkat edin. Bu kısımların hasar görmesi diskin kırılması ile sonuçlanabilir.
4. Alet çalıştırılmadan önce diskin iş parçasına değmediğinden emin olun.
5. Aleti gerçek bir iş parçası üzerinde kullanmadan önce bir süre boşta çalıştırın. Diskin yanlış takılmış veya dengesiz olduğunu gösteren titreme ya da yalpalamalara dikkat edin.
6. Taşlama yaparken diskin belirlenmiş yüzeyini kullanın.
7. Aleti çalışır durumda bırakmayın. Aleti sadece elinizde tutarken çalıştırın.
8. Çalışmadan hemen sonra iş parçasına dokunmayın; çok sıcak olabilir ve cildinizi yakabilir.
9. Çalışmadan hemen sonra aksesuarlara dokunmayın; çok sıcak olabilir ve cildinizi yakabilirler.
10. Disklerin doğru monte edilmesi ve kullanılması için imalatçının talimatlarına uyun. Diskleri özenle aktarın ve saklayın.
11. Büyük delikli aşındırıcı diskleri uydurmak için ayrı redüksiyon nipel ya da adaptör kullanmayın.
12. Sadece bu alet için belirtilen flanşları kullanın.
13. Deliği vida dişli disk takılmak istenen aletlerde bu diskin dişlerinin mil uzunluğunu kabul edecek kadar uzun olması gereklidir.
14. İş parçasının doğru desteklenip desteklenmediğini kontrol edin.
15. Diskin alet kapatıldıktan sonra dönmeye devam ettiğine dikkat edin.
16. Çalışma yeri aşırı sıcak ve nemliyse ya da çok fazla iletken toz kirliliği mevcutsa kullanıcının güvenliği için bir kısa devre kesicisi (30 mA) kullanın.
17. Bu aleti asbest içeren hiçbir malzeme üstünde kullanmayın.
18. Çalışma sırasında kumaş iş eldivenleri kullanmayın. Kumaş eldivenlerin lifleri alete girebilir, bu da aletin bozulmasına neden olur.

## BU TALİMATLARI MUHAFAZA EDİNİZ.

**⚠UYARI:** Ürünü kullanırken (defalarca kullanınca kazanılan) rahatlık ve tanıdıklık duygusunun ilgili ürünün güvenlik kurallarına sıkı sıkıya bağlı kalmanın yerine geçmesine İZİN VERMEYİN. YANLIŞ KULLANIM veya bu kullanma kılavuzunda belirtilen emniyet kurallarına uymama ciddi yaralanmaya neden olabilir.

## İŞLEVSEL NİTELİKLER

**⚠DİKKAT:** Alet üzerinde ayarlama ya da işleyiş kontrolü yapmadan önce aletin kapalı ve fişinin çekili olduğundan daima emin olun.

### Şaft kilidi

Aksesuarları takarken veya çıkarırken milin dönmelerini önlemek için şaft kilidine basın.

► **Şek.1:** 1. Şaft kilidi

**ÖNEMLİ NOT:** Mil hareket halindeyken şaft kilidini asla kullanmayın. Alet zarar görebilir.

### Anahtar işlemi

**⚠DİKKAT:** Aleti fişe takmadan önce anahtar tetiğinin doğru çalıştığından ve bırakıldığında "OFF" (kapalı) konumuna döndüğünden emin olun.

**⚠DİKKAT:** Güvenlik kilidi düğmesine basmadan anahtar kolunu zorlayarak çekmeyin. Anahtar kırılabilir.

Anahtar kolunun kazara çekilmesini önlemek için, bir güvenlik kilidi kolu sunulmuştur. Aleti çalıştırmak için, güvenlik kilidi kolunu kullanıcıya doğru çekin ve ardından anahtar kolunu çekin. Durdurmak için anahtar kolunu serbest bırakın.

► **Şek.2:** 1. Güvenlik kilidi kolu 2. Anahtar kolu

### İstenmeyen yeniden başlatma koruması

Aleti fişi takılı olsa da anahtar kolu çekildiğinde alet çalışmaya başlamaz. Aleti başlatmak için önce anahtar kolunu serbest bırakın. Ardından güvenlik kilidi kolunu ve anahtar kolunu çekin.

**NOT:** İstenmeyen yeniden başlatma koruması çalışırken aleti yeniden başlatmadan önce bir saniyeden fazla bekleyin.

### Yumuşak başlatma özelliği

Yumuşak başlatma özelliği başlatma tepkisini azaltır.

## MONTAJ

**⚠DİKKAT:** Alet üzerinde herhangi bir iş yapmadan önce aletin kapalı ve fişinin çekili olduğundan daima emin olun.

### Yan kavrama kolunun (tutamağın) takılması

**⚠DİKKAT:** Çalışmaya başlamadan önce yan kavrama kolunu yerine sağlam şekilde takılmış olduğundan daima emin olun.

Yan kavrama kolunu şekilde gösterildiği gibi alet üstündeki konumuna sıkıca vidalayın.

► **Şek.3**

### Disk siperi açısının ayarlanması

**⚠UYARI:** Disk siperinin disk siperi üzerindeki deliklerden biri ile kilitleme kolu tarafından sıkıca kilitletiğinden emin olun.

Disk siperinin açısı ayarlanabilir. Kilitleme kolunu bastırırken disk siperini B'ye doğru çevirin ve ardından disk siperinin açısını, operatör korunacak şekilde işe göre değiştirin. Kilitleme kolunu disk siperindeki deliklerden biri ile hizalayın ve ardından kilitleme kolunu bırakarak disk siperini kilitleyin.

► **Şek.4:** 1. Disk siperi 2. Delik

### Merkezden basmalı diskin veya flap diskin takılması veya çıkarılması

#### İsteğe bağlı aksesuar

**⚠UYARI:** Merkezden basmalı bir disk veya flap disk kullanırken, disk siperi, siperin kapalı tarafının yönü daima kullanıcıya doğru bakacak şekilde takılmalıdır.

**⚠DİKKAT:** İç flanşın montaj parçasının merkezden basmalı diskin / flap diskin iç çapına tam olarak uyduğundan emin olun. İç flanşı yanlış tarafa monte etmek tehlikeli titreşime neden olabilir.

İç flanşı mile takın.

İç flanşın dişli parçasını milin tabanındaki düz parçanın üzerine yerleştirdiğinizden emin olun.

Merkezden basmalı disk / flap diski iç flanşın üstüne takın ve kilit somununu milin üzerine vidalayın.

► **Şek.5:** 1. Kilit somunu 2. Merkezden basmalı disk 3. İç flanş 4. Montaj parçası

Kilit somununu sıkılamak için, milin dönmemesini sağlayacak şekilde şaft kilidine kuvvetle bastırın, sonra kilit somunu anahtarını kullanarak saat yönünde iyice sıkın.

► **Şek.6:** 1. Kilit somunu anahtarı 2. Şaft kilidi

Diski çıkarmak için, takma işlemlerini tersinden uygulayın.

## Fleks diskin takılması veya çıkarılması

#### İsteğe bağlı aksesuar

**⚠UYARI:** Fleks disk alet üzerindeyken daima verilen siperi kullanın. Disk kullanım sırasında kırılabilir ve siper kişisel yaralanma olasılığını azaltır.

► **Şek.7:** 1. Kilit somunu 2. Fleks disk 3. Yedek altlık 4. İç flanş

Merkezden basmalı disk için verilen talimatları izleyin fakat ayrıca diskin üzerinde yedek altlık kullanın. Bu kılavuzun aksesuarlar sayfasında verilen montaj düzenine bakın.

## KULLANIM

**⚠UYARI:** Aletin hiçbir zaman zorlanması gerekmemelidir. Aletin ağırlığı yeterli basıncı uygular. Zorlama ve fazla basınç tehlikeli disk kırılmasına neden olabilir.

**⚠UYARI:** Taşlama sırasında alet düşürülürse diski DAİMA değiştirin.

**⚠UYARI:** Taşlama diskini ASLA üzerinde çalışılan parçaya vurmayın ya da çarpmayın.

**⚠UYARI:** Özellikle köşelerde, keskin kenarlarda, vb. alanlarda çalışırken diski zıplatmaktan ve engellere takılmaktan kaçının. Bu, kontrol kaybına ve geri tepmeye neden olabilir.

**⚠UYARI:** Bu aleti ASLA ahşap kesme bıçakları ve diğer testere bıçakları ile kullanmayın. Bu bıçaklar bir taşlama makinesiyle kullanıldığında sıkça geri teper ve yaralanmaya yol açacak kontrol kaybına neden olur.

**⚠UYARI:** Aşınmış bir diski kullanmaya devam etmek diskin parçalanmasına ve ciddi kişisel yaralanmalara yol açabilir.

**⚠DİKKAT:** İş parçası ile temas halindeyken aleti asla çalıştırmayın; bu, kullanıcının yaralanmasına neden olabilir.

**⚠DİKKAT:** Çalışma sırasında daima emniyet gözlükleri veya bir yüz siperi kullanın.

**⚠DİKKAT:** Çalışmanız bitince daima aleti kapa-tın ve yere koymadan önce diskin tamamen durmasını bekleyin.

**⚠DİKKAT:** Aleti DAİMA bir elinizle gövdeden ve diğer elinizle yan kavrama kolundan (saptan) sıkıca tutun.

### Disk ile çalışma

► **Şek.8**

Aleti çalıştırın ve diski iş parçasına uygulayın.

Genel olarak diskin kenarını iş parçasının yüzeyine yaklaşık 15 derecelik bir açıyla tutun.

Yeni bir diskin alıştırma döneminde taşlama makinesini ileri yönde çalıştırmayın aksi takdirde disk iş parçasını keser. Diskin kenarı kullanılıp yuvarlandıktan sonra, disk hem ileri hem de geri yönde kullanılabilir.

## Tel disk fırçayla çalışma

### İsteğe bağlı aksesuar

**⚠DİKKAT:** Fırçanın önünde veya hizasında hiç kimse olmadığından emin olarak, aleti yüksüz çalıştırıp tel disk fırçanın çalışmasını kontrol edin.

**⚠DİKKAT:** Hasarlı veya dengesiz tel disk fırçaları kullanmayın. Hasarlı tel disk fırça kullanılması kırık fırça tellerinin temas etmesiyle yaralanma potansiyelini artırabilir.

**⚠DİKKAT:** Tel disk fırçalarla birlikte DAİMA, diskin çapı siperin içinde kalacak şekilde, siper kullanın. Disk kullanım sırasında kırılabilir ve siper kişisel yaralanma olasılığını azaltır.

#### ► Şek.9: 1. Tel disk fırça

Aleti prizden çıkarın ve mile kolay erişim için ters şekilde yerleştirin.

Mil üstündeki aksesuarları çıkarın. Tel disk fırçayı mile takın ve anahtarlarla sıkın.

**ÖNEMLİ NOT:** Tel disk fırça kullanırken, tellerin aşırı bükülmesine neden olan aşırı basıncı uygulamayın. Erken kırılmaya neden olabilir.

## Halat (bağlama kayışı) bağlantısı

**⚠Yüksekte kullanıma özel güvenlik uyarıları**  
Tüm güvenlik uyarılarını ve talimatları okuyun. Uyarıların ve talimatların izlenmemesi ciddi yaralanmaya yol açabilir.

1. “Yüksekte” çalışırken aleti her zaman bağlı tutun. Maksimum halat uzunluğu 2 m’dir. Halat (bağlama kayışı) için izin verilebilir maksimum düşme yüksekliği 2 m’yi geçmemelidir.
2. Yalnızca bu alet türüne uygun ve taşıma kapasitesi en az 4,0 kg olan halatlarla kullanın.
3. Alet halatını vücudunuzdaki hiçbir şeye veya hareketli parçalara bağlamayın. Alet halatını, düşen bir aletin kuvvetlerine dayanabilecek sabit bir yapıya bağlayın.
4. Kullanmadan önce halatın iki ucunun da uygun şekilde tutturulduğunu kontrol edin.
5. Her kullanımdan önce aleti ve halatı (örgü ve dikiş dahil) hasar ve uygun çalışma açısından kontrol edin. Hasarlı ise veya düzgün çalışmıyorsa kullanmayın. Özellikle halat deliğinin etrafında çatlak veya kırmızı çizgi gözüktüğünde alet onarılmalıdır.
6. Halatları keskin veya pürüzlü kenarların etrafına sarmayın veya bunlara temas etmesine izin vermeyin.
7. Halatın diğer ucunu, düşen alet güvenli bir şekilde tutulacak şekilde çalışma alanının dışına bağlayın.
8. Halatı, alet düştüğünde operatörden uzaklaşacak şekilde bağlayın. Düşen aletler halatın ucunda sallanır, bu durum yaralanmaya veya denge kaybına neden olabilir.

9. Hareketli parçaların veya çalışan makinelerin yakınında kullanmayın. Aksi takdirde parçalanma veya takılma tehlikesine neden olabilir.
10. Aleti bağlantı aygıtından veya halattan taşımayın.
11. Aleti yalnızca ellerinizin arasında, dengeniz tam iken aktarın.
12. Halatları siperlerin, anahtarların veya güvenlik kilitlemelerinin düzgün çalışmasını engelleyecek şekilde alete takmayın.
13. Halata takılmaktan sakının.
14. Halatı aletin kesim alanından uzak tutun.
15. Bir kilitleme karabinası (çok işlemliler ve vidalı tip) kullanın. Tek işlemliler yaylı karabinalar kullanmayın.
16. Aletin düşmesi durumunda alet etiketlenmeli ve servis dışı bırakılmalıdır; Makita fabrikası veya yetkili servis merkezi tarafından kontrol edilmelidir.
17. Halatı yalnızca bir kilitleme karabinası ile takın. Halatı ilmek yaparak veya düğümleyerek takmayın. İp veya kablo kullanmayın.

#### ► Şek.10: 1. Halat (bağlama kayışı) deliği

## BAKIM

**⚠DİKKAT:** Muayene ya da bakım yapmadan önce aletin kapalı ve fişinin çekili olduğundan daima emin olun.

**ÖNEMLİ NOT:** Benzin, tiner, alkol ve benzeri maddeleri kesinlikle kullanmayın. Renk değişimi, deformasyon veya çatlaklar oluşabilir.

Aleti EMNİYETLİ ve ÇALIŞMAYA HAZIR durumda tutmak için onarımlar, başka her türlü bakım ve ayarlamalar daima Makita yedek parçaları kullanılarak Makita yetkili servis merkezleri veya Fabrikanın Servis Merkezleri tarafından yapılmalıdır.

## Hava deliğinin temizlenmesi

Alet ve hava delikleri temiz tutulmalıdır. Aletin hava deliklerini düzenli aralıklarla veya delikler her tıkanmaya başladığında temizleyin.

#### ► Şek.11: 1. Hava çıkma deliği 2. Hava alma deliği

# İSTEĞE BAĞLI AKSESUARLAR

**⚠ DİKKAT:** Bu aksesuarlar ve ek parçalar bu el kitabında belirtilen Makita aletiniz ile kullanılmak için tavsiye edilmektedir. Herhangi başka bir aksesuar ya da ek parça kullanılması insanlar için bir yaralanma riski getirebilir. Aksesuarları ya da ek parçaları yalnızca belirtilmiş olan kullanım amaçlarına uygun olarak kullanın.

Bu aksesuarlarla ilgili daha fazla bilgiye ihtiyaç duyarsanız bulunduğunuz yerdeki yetkili Makita servisine başvurun.

► **Şek.12**

-	100 mm model	115 mm model	125 mm model
1	Yan kavrama kolu		
2	İç flanş	İç flanş / Süper flanş	
3	Merkezden basmalı disk / Flap disk		
4	Kilit somunu		
5	Yedek altlık		
6	Fleks disk		
7	Tel disk fırça		
-	Kilit somunu anahtar		
-	Toz kapağı eklentisi		

**NOT:** Listedeki parçaların bazıları alet paketi içerisinde standart aksesuar olarak dahil edilmiş olabilir. Bunlar ülkeden ülkeye farklılık gösterebilir.

**Makita Europe N.V.** Jan-Baptist Vinkstraat 2,  
3070 Kortenberg, Belgium

**Makita Corporation** 3-11-8, Sumiyoshi-cho,  
Anjo, Aichi 446-8502 Japan

[www.makita.com](http://www.makita.com)

885735A999  
EN, FR, DE, IT, NL,  
ES, PT, DA, EL, TR  
20200623