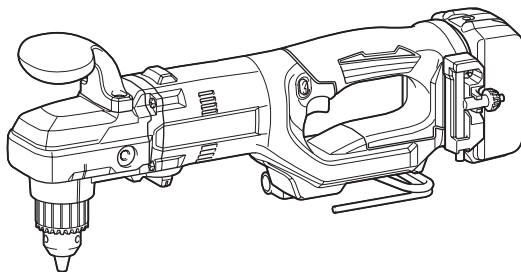




EN	Cordless Angle Drill	INSTRUCTION MANUAL	4
SL	Brezlični kotni vrtalnik	NAVODILA ZA UPORABO	10
SQ	Trapan me kënd me bateri	MANUALI I PËRDORIMIT	16
BG	Акумулаторна ъглова бормашина	РЪКОВОДСТВО ЗА ЕКСПЛОАТАЦИЯ	22
HR	Bežična kutna bušilica	PRIRUČNIK S UPUTAMA	30
MK	Безжична аголна дупчалка	УПАТСТВО ЗА УПОТРЕБА	36
SR	Бежична угаона бушилица	УПУТСТВО ЗА УПОТРЕБУ	43
RO	Mașină de găurit unghiulară cu acumulator	MANUAL DE INSTRUCȚIUNI	50
UK	Бездротовий дріль для свердління під кутом	ІНСТРУКЦІЯ З ЕКСПЛУАТАЦІЇ	57
RU	Аккумуляторная угловая дрель	РУКОВОДСТВО ПО ЭКСПЛУАТАЦИИ	65

DDA450



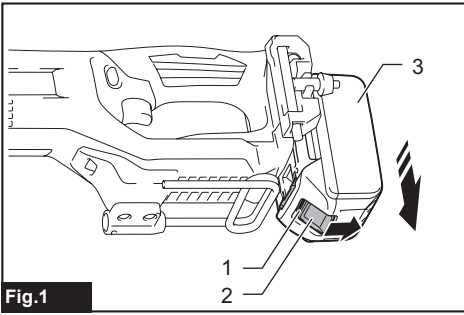


Fig.1

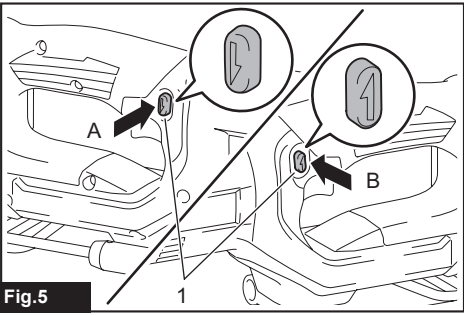


Fig.5



Fig.2

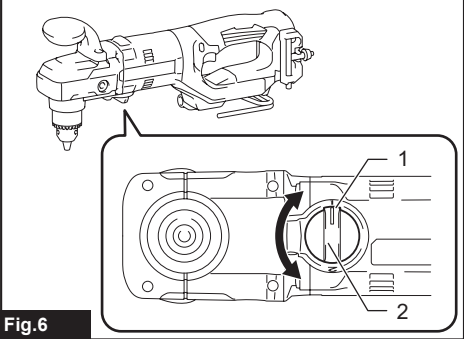


Fig.6

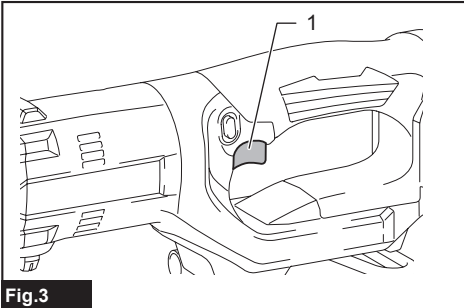


Fig.3

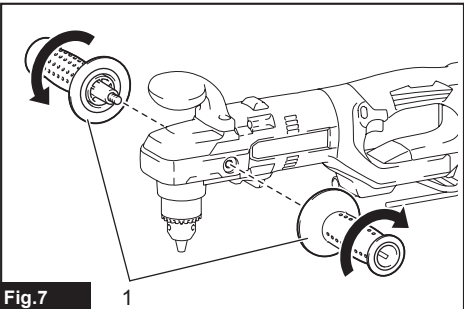


Fig.7

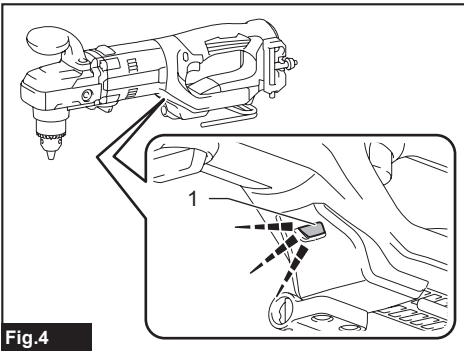


Fig.4

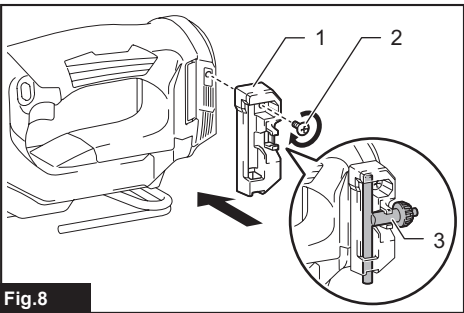


Fig.8

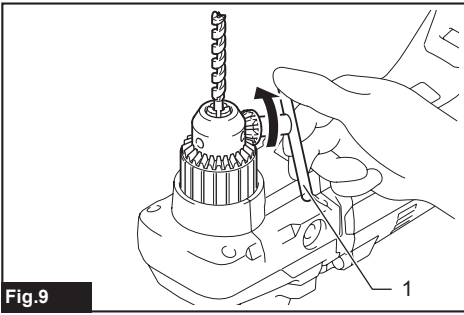


Fig.9

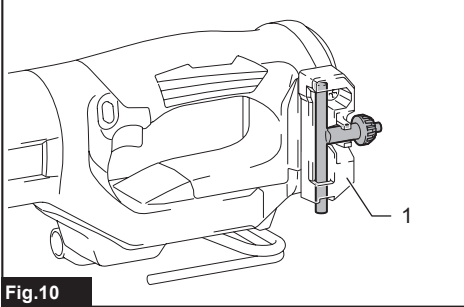


Fig.10

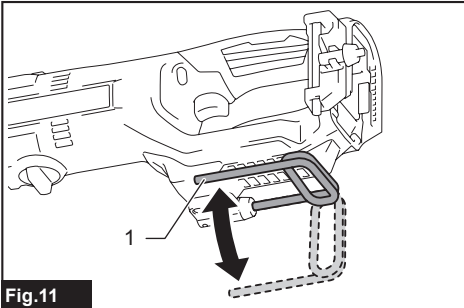


Fig.11

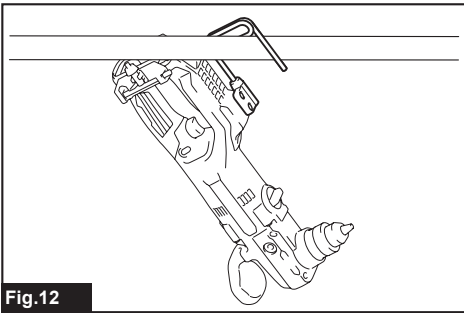


Fig.12

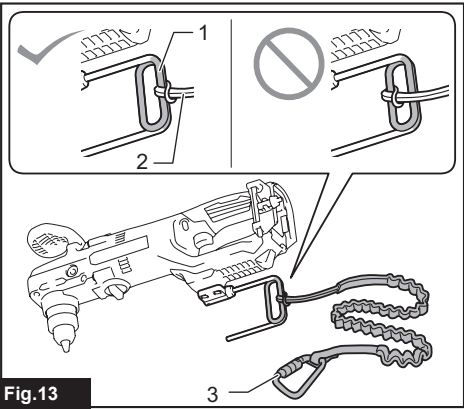


Fig.13

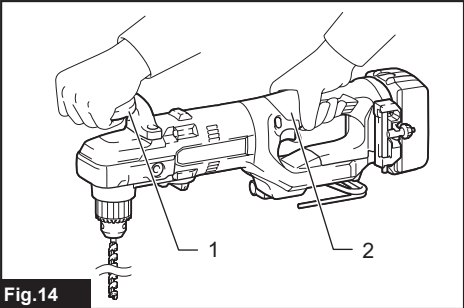


Fig.14

SPECIFICATIONS

Model:		DDA450	
Gear speed		High	Low
Drilling capacities	Steel	13 mm	
	Wood	Auger bit: 38 mm Self-feed bit: 50 mm Hole saw: 101 mm	Auger bit: 38 mm Self-feed bit: 65 mm Hole saw: 127 mm
No load speed		0 - 1,400 min ⁻¹	0 - 450 min ⁻¹
Overall length (With battery cartridge BL1860B)		434 mm	
Rated voltage		D.C. 18 V	
Net weight		3.2 - 3.5 kg	

- Due to our continuing program of research and development, the specifications herein are subject to change without notice.
- Specifications may differ from country to country.
- The weight may differ depending on the attachment(s), including the battery cartridge. The lightest and heaviest combination, according to EPTA-Procedure 01/2014, are shown in the table.

Applicable battery cartridge and charger

Battery cartridge	BL1815N / BL1820B / BL1830B / BL1840B / BL1850B / BL1860B
Charger	DC18RC / DC18RD / DC18RE / DC18SD / DC18SE / DC18SF / DC18SH

- Some of the battery cartridges and chargers listed above may not be available depending on your region of residence.

⚠ WARNING: Only use the battery cartridges and chargers listed above. Use of any other battery cartridges and chargers may cause injury and/or fire.

Intended use

The tool is intended for drilling in wood, metal and plastic.

Noise

The typical A-weighted noise level determined according to EN62841-2-1:

Sound pressure level (L_{pA}): 83 dB(A)

Sound power level (L_{WA}): 94 dB (A)

Uncertainty (K) : 3 dB(A)

NOTE: The declared noise emission value(s) has been measured in accordance with a standard test method and may be used for comparing one tool with another.

NOTE: The declared noise emission value(s) may also be used in a preliminary assessment of exposure.

⚠ WARNING: Wear ear protection.

⚠ WARNING: The noise emission during actual use of the power tool can differ from the declared value(s) depending on the ways in which the tool is used especially what kind of workpiece is processed.

⚠ WARNING: Be sure to identify safety measures to protect the operator that are based on an estimation of exposure in the actual conditions of use (taking account of all parts of the operating cycle such as the times when the tool is switched off and when it is running idle in addition to the trigger time).

Vibration

The vibration total value (tri-axial vector sum) determined according to EN62841-2-1:

Work mode: drilling into metal

Vibration emission ($a_{h,D}$): 2.5 m/s² or less

Uncertainty (K) : 1.5 m/s²

NOTE: The declared vibration total value(s) has been measured in accordance with a standard test method and may be used for comparing one tool with another.

NOTE: The declared vibration total value(s) may also be used in a preliminary assessment of exposure.

⚠ WARNING: The vibration emission during actual use of the power tool can differ from the declared value(s) depending on the ways in which the tool is used especially what kind of workpiece is processed.

⚠ WARNING: Be sure to identify safety measures to protect the operator that are based on an estimation of exposure in the actual conditions of use (taking account of all parts of the operating cycle such as the times when the tool is switched off and when it is running idle in addition to the trigger time).

EC Declaration of Conformity

For European countries only

The EC declaration of conformity is included as Annex A to this instruction manual.

SAFETY WARNINGS

General power tool safety warnings

⚠️WARNING: Read all safety warnings, instructions, illustrations and specifications provided with this power tool. Failure to follow all instructions listed below may result in electric shock, fire and/or serious injury.

Save all warnings and instructions for future reference.

The term "power tool" in the warnings refers to your mains-operated (corded) power tool or battery-operated (cordless) power tool.

Cordless drill safety warnings

Safety instructions for all operations

1. **Use the auxiliary handle(s).** Loss of control can cause personal injury.
2. **Hold the power tool by insulated gripping surfaces, when performing an operation where the cutting accessory may contact hidden wiring.** Cutting accessory contacting a "live" wire may make exposed metal parts of the power tool "live" and could give the operator an electric shock.
3. **Always be sure you have a firm footing. Be sure no one is below when using the tool in high locations.**
4. **Hold the tool firmly.**
5. **Keep hands away from rotating parts.**
6. **Do not leave the tool running. Operate the tool only when hand-held.**
7. **Do not touch the drill bit or the workpiece immediately after operation; they may be extremely hot and could burn your skin.**
8. **Some material contains chemicals which may be toxic. Take caution to prevent dust inhalation and skin contact. Follow material supplier safety data.**
9. **If the drill bit cannot be loosened even you open the jaws, use pliers to pull it out.** In such a case, pulling out the drill bit by hand may result in injury by its sharp edge.
10. **If something wrong with the tool such as abnormal sounds, stop operating immediately and ask your local Makita Service Center for repair.**
11. **Before operation, make sure that there is no buried object such as electric pipe, water pipe or gas pipe in the ground.** Otherwise, the tool may touch them, resulting an electric shock, electrical leakage or gas leak.

Safety instructions when using long drill bits

1. **Never operate at higher speed than the maximum speed rating of the drill bit.** At higher speeds, the bit is likely to bend if allowed to rotate freely without contacting the workpiece, resulting in personal injury.
2. **Always start drilling at low speed and with the bit tip in contact with the workpiece.** At higher speeds, the bit is likely to bend if allowed to rotate freely without contacting the workpiece, resulting in personal injury.

3. **Apply pressure only in direct line with the bit and do not apply excessive pressure.** Bits can bend causing breakage or loss of control, resulting in personal injury.

SAVE THESE INSTRUCTIONS.

⚠️WARNING: DO NOT let comfort or familiarity with product (gained from repeated use) replace strict adherence to safety rules for the subject product. MISUSE or failure to follow the safety rules stated in this instruction manual may cause serious personal injury.

Important safety instructions for battery cartridge

1. **Before using battery cartridge, read all instructions and cautionary markings on (1) battery charger, (2) battery, and (3) product using battery.**
2. **Do not disassemble or tamper with the battery cartridge.** It may result in a fire, excessive heat, or explosion.
3. **If operating time has become excessively shorter, stop operating immediately. It may result in a risk of overheating, possible burns and even an explosion.**
4. **If electrolyte gets into your eyes, rinse them out with clear water and seek medical attention right away. It may result in loss of your eyesight.**
5. **Do not short the battery cartridge:**
 - (1) **Do not touch the terminals with any conductive material.**
 - (2) **Avoid storing battery cartridge in a container with other metal objects such as nails, coins, etc.**
 - (3) **Do not expose battery cartridge to water or rain.**

A battery short can cause a large current flow, overheating, possible burns and even a breakdown.
6. **Do not store and use the tool and battery cartridge in locations where the temperature may reach or exceed 50 °C (122 °F).**
7. **Do not incinerate the battery cartridge even if it is severely damaged or is completely worn out. The battery cartridge can explode in a fire.**
8. **Do not nail, cut, crush, throw, drop the battery cartridge, or hit against a hard object to the battery cartridge.** Such conduct may result in a fire, excessive heat, or explosion.
9. **Do not use a damaged battery.**
10. **The contained lithium-ion batteries are subject to the Dangerous Goods Legislation requirements.**

For commercial transports e.g. by third parties, forwarding agents, special requirement on packaging and labeling must be observed.

For preparation of the item being shipped, consulting an expert for hazardous material is required. Please also observe possibly more detailed national regulations.

Tap or mask off open contacts and pack up the battery in such a manner that it cannot move around in the packaging.

11. When disposing the battery cartridge, remove it from the tool and dispose of it in a safe place. Follow your local regulations relating to disposal of battery.
12. Use the batteries only with the products specified by Makita. Installing the batteries to non-compliant products may result in a fire, excessive heat, explosion, or leak of electrolyte.
13. If the tool is not used for a long period of time, the battery must be removed from the tool.
14. During and after use, the battery cartridge may take on heat which can cause burns or low temperature burns. Pay attention to the handling of hot battery cartridges.
15. Do not touch the terminal of the tool immediately after use as it may get hot enough to cause burns.
16. Do not allow chips, dust, or soil stuck into the terminals, holes, and grooves of the battery cartridge. It may result in poor performance or breakdown of the tool or battery cartridge.
17. Unless the tool supports the use near high-voltage electrical power lines, do not use the battery cartridge near high-voltage electrical power lines. It may result in a malfunction or breakdown of the tool or battery cartridge.
18. Keep the battery away from children.

SAVE THESE INSTRUCTIONS.

CAUTION: Only use genuine Makita batteries. Use of non-genuine Makita batteries, or batteries that have been altered, may result in the battery bursting causing fires, personal injury and damage. It will also void the Makita warranty for the Makita tool and charger.

Tips for maintaining maximum battery life

1. Charge the battery cartridge before completely discharged. Always stop tool operation and charge the battery cartridge when you notice less tool power.
2. Never recharge a fully charged battery cartridge. Overcharging shortens the battery service life.
3. Charge the battery cartridge with room temperature at 10 °C - 40 °C (50 °F - 104 °F). Let a hot battery cartridge cool down before charging it.
4. When not using the battery cartridge, remove it from the tool or the charger.
5. Charge the battery cartridge if you do not use it for a long period (more than six months).

FUNCTIONAL DESCRIPTION

CAUTION: Always be sure that the tool is switched off and the battery cartridge is removed before adjusting or checking function on the tool.

Installing or removing battery cartridge

CAUTION: Always switch off the tool before installing or removing of the battery cartridge.

CAUTION: Hold the tool and the battery cartridge firmly when installing or removing battery cartridge. Failure to hold the tool and the battery cartridge firmly may cause them to slip off your hands and result in damage to the tool and battery cartridge and a personal injury.

► Fig.1: 1. Red indicator 2. Button 3. Battery cartridge

To remove the battery cartridge, slide it from the tool while sliding the button on the front of the cartridge.

To install the battery cartridge, align the tongue on the battery cartridge with the groove in the housing and slip it into place. Insert it all the way until it locks in place with a little click. If you can see the red indicator on the upper side of the button, it is not locked completely.

CAUTION: Always install the battery cartridge fully until the red indicator cannot be seen. If not, it may accidentally fall out of the tool, causing injury to you or someone around you.



















CAUTION: Do not install the battery cartridge forcibly. If the cartridge does not slide in easily, it is not being inserted correctly.

Indicating the remaining battery capacity

Only for battery cartridges with the indicator

► Fig.2: 1. Indicator lamps 2. Check button

Press the check button on the battery cartridge to indicate the remaining battery capacity. The indicator lamps light up for a few seconds.

Indicator lamps			Remaining capacity
 Lighted	 Off	 Blinking	
			75% to 100%
			50% to 75%
			25% to 50%
			0% to 25%
			Charge the battery.
 	 	 	The battery may have malfunctioned.

NOTE: Depending on the conditions of use and the ambient temperature, the indication may differ slightly from the actual capacity.

NOTE: The first (far left) indicator lamp will blink when the battery protection system works.

Tool / battery protection system

The tool is equipped with a tool/battery protection system. This system automatically cuts off power to the motor to extend tool and battery life. The tool will automatically stop during operation if the tool or battery is placed under one of the following conditions:

Overload protection

When the tool/battery is operated in a manner that causes it to draw an abnormally high current, the tool stops automatically. In this situation, turn the tool off and stop the application that caused the tool to become overloaded. Then turn the tool on to restart.

Overheat protection

When the tool/battery is overheated, the tool stops automatically and the lamp will blink. In this situation, let the tool cool down before turning the tool on again.

Overdischarge protection

When the battery capacity is not enough, the tool stops automatically. In this case, remove the battery from the tool and charge the battery.

Switch action

CAUTION: Before installing the battery cartridge into the tool, always check to see that the switch trigger actuates properly and returns to the "OFF" position when released.

► **Fig.3:** 1. Switch trigger

To start the tool, pull the switch trigger. Tool speed is increased by increasing pressure on the switch trigger. Release the switch trigger to stop.

NOTE: The tool automatically stops if you keep pulling the switch trigger for about 6 minutes.

Lighting up the front lamp

CAUTION: Do not look in the light or see the source of light directly.

► **Fig.4:** 1. Lamp

Pull the switch trigger to light up the lamp. The lamp keeps on lighting while the switch trigger is being pulled. The lamp goes out approximately 10 seconds after releasing the switch trigger.

NOTE: When the tool is overheated, the tool stops automatically and the lamp starts flashing. In this case, release the switch trigger. The lamp turns off in 1 minute(s).

NOTE: Use a dry cloth to wipe the dirt off the lens of the lamp. Be careful not to scratch the lens of lamp, or it may lower the illumination.

Reversing switch action

CAUTION: Always check the direction of rotation before operation.

CAUTION: Use the reversing switch only after the tool comes to a complete stop. Changing the direction of rotation before the tool stops may damage the tool.

CAUTION: When not operating the tool, always set the reversing switch lever to the neutral position.

This tool has a reversing switch to change the direction of rotation. Depress the reversing switch lever from the A side for clockwise rotation or from the B side for counterclockwise rotation.

When the reversing switch lever is in the neutral position, the switch lever cannot be pulled.

► **Fig.5:** 1. Reversing switch lever

Speed change

NOTICE: Use the speed change knob only after the tool comes to a complete stop. Changing the tool speed before the tool stops may damage the tool.

NOTICE: Always set the speed change knob carefully into the correct position. If you operate the tool with the speed change knob positioned halfway between the position 1 and the position 2, the tool may be damaged.

NOTICE: If the rotation speed significantly decreases during operation in the high speed mode, stop the tool and change the mode to the low speed mode. Otherwise, the motor may get overloaded and cause a malfunction or fire.

Two speed ranges can be preselected with the speed change knob.

To change the speed, turn the speed change knob so that the pointer points to the position 1 for low speed mode or the position 2 for high speed mode.

► **Fig.6:** 1. Pointer 2. Speed change knob

Electronic function

Electric brake

This tool is equipped with an electric brake. If the tool consistently fails to quickly cease to function after the switch trigger is released, have the tool serviced at a Makita service center.

Soft start feature

This function allows the smooth start-up of the tool by limiting the start-up torque.

ASSEMBLY

CAUTION: Always be sure that the tool is switched off and the battery cartridge is removed before carrying out any work on the tool.

Installing side grip (auxiliary handle)

CAUTION: Always be sure that the side grip is installed securely before operation.

Screw the side grip on the tool securely. The side grip can be installed on either side of the tool, whichever is convenient.

► Fig.7: 1. Side grip

Installing key holder

(Country specific)

CAUTION: Always be sure that the key holder is installed securely before operation.

Screw the key holder on the tool securely. Then place the chuck key in position.

► Fig.8: 1. Key holder 2. Screw 3. Chuck key

Installing or removing drill bit

To install the drill bit, place it in the chuck as far as it will go. Tighten the chuck by hand. Place the chuck key in each of the three holes and tighten clockwise. Be sure to tighten all three chuck holes evenly.

To remove the drill bit, turn the chuck key counterclockwise in just one hole, then loosen the chuck by hand.

► Fig.9: 1. Chuck key

After use, return the chuck key to the key holder on the tool as illustrated.

► Fig.10: 1. Key holder

Hook

CAUTION: Always remove the battery when hanging the tool with the hook.

CAUTION: Never hook the tool at high location or on potentially unstable surface.

The hook is convenient for temporarily hanging the tool. To use the hook, simply lift up hook until it snaps into the open position. When not in use, always lower hook until it snaps into the closed position.

► Fig.11: 1. Hook

► Fig.12

Connecting lanyard (tether strap) to the hook

CAUTION: Do not use damaged hook and screws. Before use, always check for damages, cracks or deformations, and make sure that the screws are tightened.

CAUTION: Make sure that the hook is securely installed with the screws.

CAUTION: Do not install or remove any accessory while hanging the tool. The tool may fall if the screws are not tightened.

CAUTION: Always use a locking carabiner (multi-action and screw gate type) and be sure to attach the lanyard (tether strap) to the double looped portion of the hook. Improper attachment may cause tool drop from the hook and result in personal injury.

The hook is also used for connecting the lanyard (tether strap). Be sure to connect the lanyard (tether strap) to the double looped portion of the hook.

► Fig.13: 1. Double looped portion of the hook
2. Lanyard (tether strap) 3. Locking carabiner (multi-action and screw gate type)

OPERATION

CAUTION: Always insert the battery cartridge all the way until it locks in place. If you can see the red indicator on the upper side of the button, it is not locked completely. Insert it fully until the red indicator cannot be seen. If not, it may accidentally fall out of the tool, causing injury to you or someone around you.

CAUTION: When the speed comes down extremely, reduce the load or stop the tool to avoid the tool damage.

CAUTION: Hold the tool firmly when operating the tool.

Holding tool

CAUTION: This is a powerful tool. High torque is developed and it is important that the tool should be securely held and properly braced.

Grasp the handle with one hand and the front handle with the other hand.

► Fig.14: 1. Front handle 2. Handle

Drilling operation

Drilling in wood

When drilling in wood, the best results are obtained with wood drills equipped with a guide screw. The guide screw makes drilling easier by pulling the drill bit into the workpiece.

Drilling in metal

To prevent the drill bit from slipping when starting a hole, make an indentation with a center-punch and hammer at the point to be drilled. Place the point of the drill bit in the indentation and start drilling. Use a cutting lubricant when drilling metals. The exceptions are iron and brass which should be drilled dry.

⚠CAUTION: Pressing excessively on the tool will not speed up the drilling. In fact, this excessive pressure will only serve to damage the tip of your drill bit, decrease the tool performance and shorten the service life of the tool.

⚠CAUTION: Hold the tool firmly and exert care when the drill bit begins to break through the workpiece. There is a tremendous force exerted on the tool/drill bit at the time of hole break through.

⚠CAUTION: A stuck drill bit can be removed simply by setting the reversing switch to reverse rotation in order to back out. However, the tool may back out abruptly if you do not hold it firmly.

⚠CAUTION: Always secure workpieces in a vise or similar hold-down device.

⚠CAUTION: Avoid drilling in material that you suspect contains hidden nails or other things that may cause the drill bit to bind or break.

⚠CAUTION: If the tool is operated continuously until the battery cartridge has discharged, allow the tool to rest for 15 minutes before proceeding with a fresh battery.

Lanyard (tether strap) connection

⚠Safety warnings specific for use at height
Read all safety warnings and instructions. Failure to follow the warnings and instructions may result in serious injury.

1. Always keep the tool tethered when working "at height". Maximum lanyard length is 2 m (6.5 ft). The maximum permissible fall height for lanyard (tether strap) must not exceed 2 m (6.5 ft).
2. Use only with lanyards appropriate for this tool type and rated for at least 5.0 kg (11.0 lbs).
3. Do not anchor the tool lanyard to anything on your body or on movable components. Anchor the tool lanyard to a rigid structure that can withstand the forces of a dropped tool.
4. Make sure the lanyard is properly secured at each end prior to use.
5. Inspect the tool and lanyard before each use for damage and proper function (including fabric and stitching). Do not use if damaged or not functioning properly.
6. Do not wrap lanyards around or allow them to come in contact with sharp or rough edges.
7. Fasten the other end of the lanyard outside the working area so that a falling tool is held securely.
8. Attach the lanyard so that the tool will move away from the operator if it falls. Dropped tools will swing on the lanyard, which could cause injury or loss of balance.

9. Do not use near moving parts or running machinery. Failure to do so may result in a crush or entanglement hazard.
10. Do not carry the tool by the attachment device or the lanyard.
11. Only transfer the tool between your hands while you are properly balanced.
12. Do not attach lanyards to the tool in a way that keeps guards, switches or lock-offs from operating properly.
13. Avoid getting tangled in the lanyard.
14. Keep lanyard away from the cutting area of the tool.
15. Use multi-action and screw gate type carabineers. Do not use single action spring clip carabineers.
16. In the event the tool is dropped, it must be tagged and removed from service, and should be inspected by a Makita Factory or Authorized Service Center.

MAINTENANCE

⚠CAUTION: Always be sure that the tool is switched off and the battery cartridge is removed before attempting to perform inspection or maintenance.

NOTICE: Never use gasoline, benzine, thinner, alcohol or the like. Discoloration, deformation or cracks may result.

To maintain product SAFETY and RELIABILITY, repairs, any other maintenance or adjustment should be performed by Makita Authorized or Factory Service Centers, always using Makita replacement parts.

OPTIONAL ACCESSORIES

⚠CAUTION: These accessories or attachments are recommended for use with your Makita tool specified in this manual. The use of any other accessories or attachments might present a risk of injury to persons. Only use accessory or attachment for its stated purpose.

If you need any assistance for more details regarding these accessories, ask your local Makita Service Center.

- Drill bits
- Makita genuine battery and charger

NOTE: Some items in the list may be included in the tool package as standard accessories. They may differ from country to country.

TEHNIČNI PODATKI

Model:		DDA450	
Hitrost orodja		Hitro	Počasi
Vrtalne zmogljivosti	Jeklo	13 mm	
	Les	Nastavek z vrtalnim polžem: 38 mm Nastavek za samodejno podajanje: 50 mm Vbodna žaga: 101 mm	Nastavek z vrtalnim polžem: 38 mm Nastavek za samodejno podajanje: 65 mm Vbodna žaga: 127 mm
Hitrost brez obremenitve		0 - 1.400 min ⁻¹	0 - 450 min ⁻¹
Celotna dolžina (z akumulatorsko baterijo BL1860B)		434 mm	
Nazivna napetost		D.C. 18 V	
Neto teža		3,2 - 3,5 kg	

- Ker nenehno opravljamo raziskave in razvijamo svoje izdelke, se lahko tehnični podatki v tem dokumentu spremenijo brez obvestila.
- Tehnični podatki se lahko razlikujejo od države do države.
- Teža se lahko razlikuje glede na priključke, vključno z akumulatorsko baterijo. Najlažja in najtežja kombinacija v skladu s postopkom EPTA 01/2014 sta prikazani v preglednici.

Uporabna akumulatorska baterija in polnilnik

Baterijski vložek	BL1815N / BL1820B / BL1830B / BL1840B / BL1850B / BL1860B
Polnilnik	DC18RC / DC18RD / DC18RE / DC18SD / DC18SE / DC18SF / DC18SH

- Nekatere zgoraj navedene akumulatorske baterije in polnilniki morda v vaši državi prebivališča niso na voljo.

⚠ OPOZORILO: Uporabljajte le zgoraj navedene akumulatorske baterije in polnilnike. Uporaba drugih akumulatorskih baterij in polnilnikov lahko povzroči telesne poškodbe in/ali požar.

Predvidena uporaba

Orodje je namenjeno za vrtnanje v les, kovino in plastiko.

Hrup

Običajna A-ovrednotena raven hrupa v skladu z EN62841-2-1:
Raven zvočnega tlaka (L_{pA}): 83 dB (A)
Raven zvočne moči (L_{WA}): 94 dB (A)
Odstopanje (K): 3 dB (A)

OPOMBA: Navedene vrednosti oddajanja hrupa so bile izmerjene v skladu s standardnimi metodami testiranja in se lahko uporabljajo za primerjavo orodij.

OPOMBA: Navedene vrednosti oddajanja hrupa se lahko uporabljajo tudi pri predhodni oceni izpostavljenosti.

⚠ OPOZORILO: Uporabljajte zaščito za sluh.

⚠ OPOZORILO: Oddajanje hrupa med dejansko uporabo električnega orodja se lahko razlikuje od navedenih vrednosti, odvisno od načina uporabe orodja in predvsem vrste obdelovanca.

⚠ OPOZORILO: Upravljalavec mora za lastno zaščito poznati varnostne ukrepe, ki temeljijo na oceni izpostavljenosti v dejanskih pogojih uporabe (poleg časa proženja je treba upoštevati celoten delovni cikel, vključno s časom, ko je orodje izklopljeno, in časom, ko deluje v prostem teku).

Vibracije

Skupne vrednosti vibracij (vektorska vsota treh osi) v skladu z EN62841-2-1:

Delovni način: vrtnanje v kovino

Emisije vibracij ($a_{h,D}$): 2,5 m/s² ali manj

Odstopanje (K): 1,5 m/s²

OPOMBA: Navedene skupne vrednosti oddajanja vibracij so bile izmerjene v skladu s standardnimi metodami testiranja in se lahko uporabljajo za primerjavo orodij.

OPOMBA: Navedene skupne vrednosti oddajanja vibracij se lahko uporabljajo tudi pri predhodni oceni izpostavljenosti.

⚠ OPOZORILO: Oddajanje vibracij med dejansko uporabo električnega orodja se lahko razlikuje od navedenih vrednosti, odvisno od načina uporabe orodja in predvsem vrste obdelovanca.

⚠ OPOZORILO: Upravljalavec mora za lastno zaščito poznati varnostne ukrepe, ki temeljijo na oceni izpostavljenosti v dejanskih pogojih uporabe (poleg časa proženja je treba upoštevati celoten delovni cikel, vključno s časom, ko je orodje izklopljeno, in časom, ko deluje v prostem teku).

Izjava o skladnosti ES

Samo za evropske države

Izjava ES o skladnosti je vključena v dodatku A, ki je priložen tem navodilom za uporabo.

VARNOSTNA OPOZORILA

Splošna varnostna opozorila za električno orodje

⚠ OPOZORILO: Preberite vsa varnostna opozorila in navodila s slikami in tehničnimi podatki, ki so dobavljeni skupaj z električnim orodjem. Ob neupoštevanju spodaj navedenih navodil obstaja nevarnost električnega udara, požara in/ali hudih telesnih poškodb.

Shranite vsa opozorila in navodila za poznejšo uporabo.

Izraz „električno orodje“ v opozorilih se nanaša na vaše električno orodje (s kablom) ali baterijsko električno orodje (brez kabla).

Varnostna opozorila za brezžični vrtnik

Varnostna navodila za vse načine uporabe

1. **Uporabite dodatne ročaje.** Izguba nadzora lahko povzroči telesne poškodbe.
2. **Če obstaja nevarnost, da bi z rezalnim pripomočkom prerezali skrito električno napeljavo, držite električno orodje na izoliranih držalnih površinah.** Če pride do stika z vodniki pod napetostjo, so pod napetostjo vsi neizolirani kovinski deli električnega orodja, zaradi česar lahko uporabnik utрпи električni udar.
3. **Vedno zagotovite, da imate trden oprijem na podlagi, kjer stojite.** Kadar uporabljate orodje na višini, se prepričajte, da spodaj ni nikogar.
4. **Trdno držite orodje.**
5. **Ne približujte rok vrtečim se delom.**
6. **Orodja ne pustite delovati brez nadzora.** Dovoljeno ga je uporabljati samo ročno.
7. **Takoj po končani obdelavi se ne dotikajte vrtnega nastavka ali obdelovanca; lahko sta zelo vroča in povzročita opekline kože.**
8. **Nekateri materiali vsebujejo kemikalije, ki so lahko strupene.** Bodite previdni in preprečite vdihavanje prahu in stik s kožo. Upoštevajte varnostne podatke dobavitelja materiala.
9. **Če vrtnega nastavka ni mogoče sprostiti, niti ko odprete čeljusti, ga izvlecite s kleščami.** V takšnih primerih se lahko pri vlečenju vrtnega nastavka z roko poškodujete ob ostrem robu nastavka.
10. **Če je karkoli narobe z orodjem, na primer nenormalen zvok, ga takoj prenehajte uporabljati in se za popravilo obrnite na lokalni center Makita.**
11. **Pred delom se prepričajte, da se v zemlji ne skriva noben predmet, na primer električna, vodovodna ali plinska cev.** Če se orodje dotakne takšne cevi, lahko povzroči električni udar, uhajavi tok ali uhajanje plina.

Varnostna navodila za uporabo dolgih vrtnalnih nastavkov

1. **Nikoli ne uporabljajte vrtnega nastavka pri hitrosti, ki je višja od njegove največje nazivne hitrosti.** Pri višjih hitrostih se lahko nastavek ukrivi, če se prosto vrti brez stika z obdelovancem, zaradi česar lahko pride do telesnih poškodb.
2. **Vedno začnite vrtati pri nizki hitrosti, pri čemer mora biti konica nastavka v stiku z obdelovancem.** Pri višjih hitrostih se lahko nastavek ukrivi, če se prosto vrti brez stika z obdelovancem, zaradi česar lahko pride do telesnih poškodb.
3. **Na orodje pritiskajte samo v smeri nastavka in ne uporabite prekomerne sile.** Nastavki se lahko ukrivijo, zaradi česar lahko pride do zloma ali izgube nadzora ter posledično tudi do telesnih poškodb.

SHRANITE TA NAVODILA.

⚠ OPOZORILO: NE dovolite, da bi zaradi udobnejšega dela ali znanja o uporabi izdelka (pridobljenega z večkratno uporabo) opustili strogo upoštevanje varnostnih zahtev v okviru pravilne uporabe orodja. ZLORABA ali neupoštevanje varnostnih zahtev v teh navodilih za uporabo lahko povzroči resne telesne poškodbe.

Pomembna varnostna navodila za akumulatorsko baterijo

1. **Pred uporabo baterijskega vložka preberite vsa navodila in opozorilne oznake na (1) polnilniku akumulatorja, (2) akumulatorju in (3) izdelku, ki uporablja akumulator.**
2. **Ne razstavljajte ali spreminjajte akumulatorske baterije.** S tem lahko povzročite požar, prekomerno vročino ali eksplozijo.
3. **Če se je čas delovanja občutno skrajšal, takoj prenehajte uporabljati orodje.** V nasprotnem primeru lahko pride do pregretja, morebitnih opeklin in celo eksplozije.
4. **Če pride elektrolit v stik z očmi, jih sperite s čisto vodo in takoj poiščite zdravniško pomoč.** Posledica je lahko izguba vida.
5. **Ne povzročite kratkega stika baterijskega vložka:**
 - (1) **Ne dotikajte se priključkov s kakršnim koli prevodnim materialom.**
 - (2) **Izogibajte se shranjevanju baterijskega vložka v vsebniku z drugimi kovinskimi predmeti kot so žebliji, kovanci itn.**
 - (3) **Ne izpostavljajte baterijskega vložka vodi ali dežju.**Kratek stik akumulatorja lahko povzroči velik električni tok, pregrevanje, morebitne opekline in celo okvaro.
6. **Ne shranjujte in uporabljajte orodja in akumulatorske baterije na mestih, kjer lahko temperatura doseže ali preseže 50 °C (122 °F).**
7. **Ne sežigajte baterijskega vložka, tudi če je hudo poškodovan ali v celoti izpraznjen.** Baterijski vložek lahko v ognju eksplodira.
8. **Ne pribijajte, režite, drobite, mečite, spuščajte akumulatorske baterije oziroma ne udarjajte z akumulatorsko baterijo po trdem predmetu.** Takšno ravnanje lahko povzroči požar, prekomerno vročino ali eksplozijo.
9. **Ne uporabljajte poškodovanih akumulatorjev.**

- Priložene litij-ionske baterije ustrezajo zahtevam zakonodaje v zvezi z nevarnim blagom.** Za komercialne prevoze, npr. tiste, ki jih opravljajo tretje stranke in carinski posredniki, je treba upoštevati posebne zahteve v zvezi z embalažo in označevanjem. Med postopkom priprave na odpremo izdelka se je treba posvetovati s strokovnjakom za nevarne snovi. Pri tem upoštevajte tudi podrobnejše nacionalne predpise. Odprte stike oblepite z lepilnim trakom ali jih drugače zaščitite, baterijo pa zapakirajte tako, da se v embalaži ne more premikati.
- Ko odstranjujete akumulatorsko baterijo, jo vzemite iz orodja in varno zavržite.** Upoštevajte lokalne uredbe glede odlaganja baterije.
- Baterije uporabljajte le z izdelki, ki jih določi Makita.** Če namestite baterije v neskladne izdelke, lahko pride do požara, pregrevanja, eksplozije ali puščanja elektrolita.
- Če orodja dlje časa ne uporabljate, morate iz njega odstraniti baterijo.**
- Med uporabo in po uporabi lahko akumulatorska baterija postane vroča in povzroči opekline.** Z vročimi akumulatorskimi baterijami ravnajte pazljivo.
- Ne dotikajte se priključka orodja takoj po uporabi, ker se lahko dovolj segreje, da povzroči opekline.**
- Ne dovolite, da bi se v priključke, odprtine in utore akumulatorske baterije zleplili ostružki, prah ali zemlja.** Umazanija lahko povzroči slabše delovanje ali okvaro orodja oziroma akumulatorske baterije.
- Razen če orodje podpira uporabo v bližini visokonapetostnih električnih vodov, akumulatorske baterije ne uporabljajte v bližini visokonapetostnih električnih vodov.** Takšna uporaba lahko povzroči motnje v delovanju ali okvaro orodja oziroma akumulatorske baterije.
- Baterijo hranite izven dosega otrok.**

SHRANITE TA NAVODILA.

⚠️ POZOR: Uporabljajte le originalne baterije Makita. Če uporabljate neoriginalne baterije Makita ali baterije, ki so bile spremenjene, lahko pride do eksplozije baterije in posledično do požara, telesnih poškodb ali materialne škode. S takšno uporabo boste tudi razveljavili garancijo Makita za orodje in polnilnik Makita.

Nasveti za ohranjanje največje zmogljivosti akumulatorja

- Napolnite baterijski vložek, preden se v celoti izprazni.** Ko opazite, da ima orodje manjšo moč, vedno ustavite delovanje orodja in napolnite baterijski vložek.
- Nikoli znova ne polnite popolnoma napolnjenega baterijskega vložka.** Prenapolnjenje skrajša življenjsko dobo akumulatorja.
- Baterijski vložek s sobno temperaturo polnite pri temperaturi okolja od 10 °C do 40 °C.** Počakajte, da se vroč baterijski vložek pred polnjenjem ohladi.
- Ko akumulatorske baterije ne uporabljate, jo odstranite iz orodja ali polnilnika.**
- Če baterijskega vložka ne uporabljate dalj časa (več kot 6 mesecev), ga napolnite.**

OPIS DELOVANJA

⚠️ POZOR: Pred nastavljanjem ali preizkusom delovanja orodja se prepričajte, ali je orodje izključeno in ali je akumulatorska baterija odstranjena.

Nameščanje ali odstranjevanje akumulatorske baterije

⚠️ POZOR: Vedno izklopite orodje, preden namestite ali odstranite akumulatorsko baterijo.

⚠️ POZOR: Kadar nameščate ali odstranjujete akumulatorsko baterijo, trdno držite orodje in akumulatorsko baterijo. Če orodja in akumulatorske baterije ne držite trdno, se lahko zgodi, da vam zdrsneta iz rok, posledica pa je lahko poškodba orodja in akumulatorske baterije ter telesna poškodba.

► **SI.1:** 1. Rdeči indikator 2. Gumb 3. Baterijski vložek

Če želite odstraniti akumulatorsko baterijo, jo potisnite iz orodja, pri tem pa pomikajte gumb na sprednji strani vložka.

Akumulatorsko baterijo vstavite tako, da poravnate jeziček na bateriji z utovor na ohišju in jo potisnete v ležišče. Potisnite jo do konca, da se zaskoči. Če je rdeči indikator na zgornji strani gumba viden, pomeni, da baterija ni ustrezno zaklenjena.

⚠️ POZOR: Vedno namestite akumulatorsko baterijo tako, da rdeči indikator ni več viden. Če tega ne upoštevate, lahko baterija nepričakovano pade iz orodja in poškoduje vas ali osebe v neposredni bližini.












⚠️ POZOR: Ne nameščajte akumulatorske baterije s silo. Če se akumulatorska baterija ne zaskoči zlahka, ni pravilno vstavljena.

Prikazuje preostalo raven napolnjenosti akumulatorja

Samo za akumulatorske baterije z indikatorjem

► **SI.2:** 1. Indikatorske lučke 2. Gumb za preverjanje

Pritisnite gumb za preverjanje na baterijskem vložku, da preverite raven napolnjenosti akumulatorja. Indikatorske lučke na kratko zasvetijo.

Indikatorske lučke			Prikaz preostale ravni napolnjenosti
 Sveti	 Ne svetlo	 Utripa	
			od 75 % do 100 %
			od 50 % do 75 %
			od 25 % do 50 %
			od 0 % do 25 %
			Napolnite akumulator.

Indikatorske lučke			Prikaz preostale ravni napolnjenosti
Sveti	Ne sveti	Utripa	
			Akumulator je morda okvarjen.

OPOMBA: Odvisno od pogojev uporabe in okoljske temperature se označba lahko nekoliko razlikuje od dejanske napolnjenosti.

OPOMBA: Prva opozorilna lučka (skrajno levo) bo utripala, ko sistem za zaščito akumulatorja deluje.

Zaščitni sistem orodja/akumulatorja

Orodje je opremljeno z zaščitnim sistemom za orodje/akumulator. Sistem samodejno prekine napajanje orodja, da podaljša življenjsko dobo orodja in akumulatorja. Orodje se samodejno zaustavi med delovanjem, če orodje ali akumulator delujeta pod naslednjimi pogoji:

Zaščita pred preobremenitvijo

Kadar orodje/akumulator uporabljate na način, ki povzroča uporabo neobičajno visokega toka, se orodje samodejno ustavi. V tem primeru izklopite orodje in prekinite delo, ki je povzročilo preobremenitev orodja. Nato vklopite orodje, da ga znova zaženete.

Zaščita pred pregrevanjem

Če je orodje/akumulator pregret, se orodje samodejno ustavi in lučka začne utripati. V tem primeru počakajte, da se orodje ohladi, preden ga znova vklopite.

Zaščita pred izpraznjenjem

Ko je zmogljivost akumulatorja prenizka, se orodje samodejno ustavi. V tem primeru odstranite akumulator iz orodja in ga napolnite.

Delovanje stikala

⚠️ POZOR: Preden vstavite akumulatorsko baterijo v orodje, se vedno prepričajte, da stikalo deluje brezhibno in se vrača v položaj za izklop (OFF), ko ga spustite.

► **SI.3:** 1. Sprožilno stikalo

Za zagon orodja pritisnite sprožilec. Z močnejšim pritiskom na sprožilec se poveča hitrost orodja. Če želite zaustaviti orodje, spustite sprožilec.

OPOMBA: Orodje se samodejno ustavi, če držite sprožilno stikalo pritisnjeno približno 6 minut.

Vklop sprednje lučke

⚠️ POZOR: Ne glejte neposredno v lučko ali vir svetlobe.

► **SI.4:** 1. Lučka

Za vklop svetilke pritisnite sprožilno stikalo. Lučka sveti, dokler je pritisnjeno sprožilno stikalo. Lučka se izklopi približno 10 sekund zatem, ko spustite sprožilno stikalo.

OPOMBA: Če je orodje pregreto, se samodejno ustavi in lučka začne utripati. V tem primeru izpusite sprožilno stikalo. Lučka se bo ugasnila v 1 minuti.

OPOMBA: Uporabite suho krpo, da obrišete umazanijo z leče lučke. Pazite, da ne opraskate stekla lučke, ker praske občutno zmanjšajo svetilnost.

Stikalo za preklop smeri vrtenja

⚠️ POZOR: Pred obratovanjem vedno preverite smer vrtenja.

⚠️ POZOR: Stikalo za spreminjanje smeri vrtenja uporabite šele, ko se stroj popolnoma ustavi. Če smer vrtenja spremenite, preden se stroj ustavi, se ta lahko poškoduje.

⚠️ POZOR: Ko orodja ne uporabljate, vedno potisnite preklopno stikalo v nevtralen položaj.

To orodje je opremljeno s preklopnikom za spremembo smeri vrtenja. Ročico preklopnika smeri vrtenja pritisnite v smeri A za vrtenje v smeri urnega kazalca in v smeri B za vrtenje v obratni smeri urnega kazalca.

Ko je preklopno stikalo v nevtralnem položaju, se preklopne ročice ne da premakniti.

► **SI.5:** 1. Ročica za preklop smeri vrtenja

Spreminjanje hitrosti

OBVESTILO: Uporabite gumb za spremembo hitrosti samo takrat, ko se orodje popolnoma ustavi. Če spremenite hitrost orodja, preden se orodje ustavi, se lahko orodje poškoduje.

OBVESTILO: Gumb za spremembo hitrosti vedno previdno potisnite v pravi položaj. Če vklopite orodje, medtem ko je gumb za spremembo hitrosti v vmesnem položaju med oznakama 1 in 2, lahko pride do okvare orodja.

OBVESTILO: Če se med delovanjem v načinu z visoko hitrostjo hitrost vrtenja bistveno zmanjša, ustavite orodje in preklopite v način z nizko hitrostjo. V nasprotnem primeru se lahko motor pregreje in povzroči okvaro ali požar.

Z gumbom za spremembo hitrosti lahko vnaprej izbere dve območji hitrosti.

Hitrost spremenite z obračanjem gumba za spreminjanje hitrosti tako, da je kazalec obrnjen proti položaju 1 za način nizke hitrosti ali proti položaju 2 za način visoke hitrosti.

► **SI.6:** 1. Kazalnik 2. Gumb za spreminjanje hitrosti

Elektronska funkcija

Električna zavora

Orodje je opremljeno z električno zavoro. Če se orodje po sprostitvi sprožilca ni zmožno hitro ustaviti, odnesite orodje na popravilo v servisni center Makita.

Funkcija mehkega zagona

Ta funkcija omogoča gladek zagon orodja, tako da omeji zagonski vrtilni moment.

MONTAŽA

⚠️ POZOR: Pred vsako izvedbo dela na orodju se prepričajte, da je le to izključeno in da je akumulatorska baterija odstranjena.

Nameščanje stranskega ročaja (pomožni ročaj)

⚠️ POZOR: Pred uporabo se vedno prepričajte, da je stranski ročaj varno nameščen.

Trdno privijte stranski ročaj na orodje. Stranski ročaj lahko namestite na eno ali drugo stran orodja, kar je bolj priročno.

► **Sl.7:** 1. Stranski ročaj

Nameščanje držala za ključ

(odvisno od države)

⚠️ POZOR: Pred uporabo se vedno prepričajte, da je držalo za ključ varno nameščeno.

Držalo za ključ trdno privijte na orodje. Nato vpenjalni ključ namestite v vdolbino.

► **Sl.8:** 1. Držalo za ključ 2. Vijak 3. Vpenjalni ključ

Nameščanje ali odstranjevanje vrtnega nastavka

Za namestitvev vrtnega nastavka ga vstavite do konca v vpenjalno glavo. Z roko privijte vpenjalno glavo. Vstavite vpenjalni ključ v vse tri odprtine in privijte v smeri urnega kazalca. Vpenjalno glavo privijete na vseh treh luknjah enakomerno.

Vrtni nastavek odstranite tako, da obračate vpenjalni ključ v le eni odprtini v nasprotni smeri urnega kazalca in nato z roko odvijete vpenjalno glavo.

► **Sl.9:** 1. Vpenjalni ključ

Po uporabi vrnite vpenjalni ključ v držalo za ključ na orodju, kot je prikazano na sliki.

► **Sl.10:** 1. Držalo za ključ

Kavelj

⚠️ POZOR: Kadar obešate orodje na kavelj, vedno odstranite akumulator.

⚠️ POZOR: Orodja ne obešajte na visoka mesta ali nestabilne površine.

Kavelj je priročen pripomoček za začasno obešanje orodja.

Ko želite orodje obesiti, kavelj preprosto dvignite, da se zaskoči v odprti položaj. Kadar kavlja ne uporabljate, ga spustite, da se zaskoči v zaprti položaj.

► **Sl.11:** 1. Kljuka

► **Sl.12**

Pritrditev traku z vponko (pritrditveni trak) na kavelj

⚠️ POZOR: Ne uporabljajte poškodovanega kavlja in vijakov. Pred uporabo vedno preverite, da orodje ni poškodovano, razpokano ali obrabljeno in da so vijaki trdno priviti.

⚠️ POZOR: Prepričajte se, da je kavelj trdno pritrjen z vijaki.

⚠️ POZOR: Med obešanjem orodja ne odstranjujte ali nameščajte dodatkov. Če vijaki niso priviti, lahko orodje pade.

⚠️ POZOR: Vedno uporabite vpenjalno vponko (večnamensko z varovalom) in obvezno pritrdite trak (pritrditveni trak) na dvojni del kavlja. Zaradi nepravilne pritrditve lahko orodje pade s kljuke in povzroči telesne poškodbe.

Kavelj je namenjen tudi pritrditvi traka z vponko (pritrditveni trak). Ne pozabite povezati traka z vponko (pritrditvenega traku) na dvojni del kavlja.

► **Sl.13:** 1. Dvojni del kavlja 2. Trak z vponko (pritrditveni trak) 3. Vpenjalna vponka (večnamenska z varovalom)

UPRAVLJANJE

⚠️ POZOR: Akumulatorsko baterijo vedno vstavite do konca, tako da se zaskoči. Če je na zgornji strani gumba viden rdeč indikator, pomeni, da baterija ni ustrezno zaskočena. Vstavite jo do konca, tako da rdečega indikatorja ni mogoče videti. V nasprotnem primeru se lahko akumulatorska baterija sname z orodja in poškoduje vas ali osebe v neposredni bližini.

⚠️ POZOR: Če se hitrost močno zniža, zmanjšajte obremenitev ali ustavite orodje, da preprečite poškodbo orodja.

⚠️ POZOR: Med delom trdno držite orodje.

Držanje orodja

⚠️ POZOR: To je zmogljivo orodje. Razvijte se visok navor in pomembno je, da orodje držite varno in čvrsto.

Ročaj primite z eno roko, sprednjega pa z drugo.

► **Sl.14:** 1. Sprednji ročaj 2. Ročaj

Vrtanje

Vrtanje v les

Pri vrtanju v les dosežete najboljše rezultate z lesnimi svedri, ki so opremljeni s centrimo konico. Centrirna konica olajša vrtanje, saj pospeši prodiranje vrtnega nastavka v les.

Vrtanje v kovino

Pri vrtanju v kovino uporabite točkalo, s katerim si označite točko vrtanja in tako preprečite zdrs vrtnega nastavka ob začetku vrtanja. Postavite konico vrtnega nastavka v vdolbino in začnite vrtati.

Kadar vrtate v kovino, uporabite mazivo za rezanje. Pri vrtanju v železo in medenino mazivo ni potrebno.

⚠️ POZOR: Čezmerno pritiskanje na orodje ne bo pospešilo napredovanja nastavka med vrtenjem. Nasprotno, s čezmernim pritiskanjem se poškoduje konica vrtnega nastavka, kar zmanjša učinkovitost delovanja ter skrajša življenjsko dobo orodja.

⚠️ POZOR: Trdno držite orodje in bodite previdni, ko začne vrtni nastavek prebijati obdelovanca. Po prevrtanju materiala delujejo na orodje oz. vrtni nastavek izjemno visoke sile.

⚠️ POZOR: Zagodeni vrtni nastavek lahko enostavno odstranite, tako da nastavite stikalo za spremembo smeri v položaj za vrtenje v obratno smer. Vseeno pa lahko orodje nenadoma sune nazaj, če ga ne držite trdno.

⚠️ POZOR: Obdelovance vedno vpnite v primež ali podobno napravo za držanje.

⚠️ POZOR: Izogibajte se vrtnanju v material, pri katerem sumite, da vsebuje skrite žebelje ali druge predmete, ki bi lahko povzročili zvijete ali zlom vrtnega nastavka.

⚠️ POZOR: Če orodje neprekinjeno uporabljate, dokler se akumulatorska baterija ne izprazni, pustite orodje mirovati 15 minut, preden ga uporabite z novim akumulatorjem.

Namestitev traku z vponko (pritrditveni trak)

⚠️ Posebna varnostna opozorila za uporabo na višini

Preberite vsa varnostna opozorila in navodila.

Neupoštevanje opozoril in navodil lahko privede do hudih telesnih poškodb.

1. Ko delate „na višini“, mora biti orodje vedno pritrjeno s trakom. Maksimalna dolžina traku z vponko je 2 m (6,5 čevlja). Največja dovoljena višina padca za trak z vponko (pritrditveni trak) ne sme presegati 2 m (6,5 čevlja).
2. Uporabljajte samo trakove z vponko, ustrezne za to vrsto orodja, z nosilnostjo vsaj 5,0 kg (11,0 funta).
3. Traku z vponko za orodje na noben način ne pripnite na kar koli na svojem telesu ali na premične predmete. Trak z vponko pripnite na trdno konstrukcijo, ki zdrži silo padca orodja.
4. Pred uporabo se prepričajte, da je trak z vponko ustrezno pritrjen na obeh straneh.
5. Pred vsako uporabo pregledjte orodje in trak z vponko zaradi morebitnih poškodb in preverite delovanje (vključno s tkanino in šivi). V primeru poškodb ali nepravilnega delovanja ju ne uporabljajte.
6. Traku z vponko ne ovijajte okoli ostrih ali grobih robov in poskrbite, da ne pride v stik z njimi.
7. Drugi konec traku z vponko pritrдите izven delovnega področja, da je padajoče orodje čvrsto pritrjeno.
8. Trak z vponko pritrдите tako, da bo orodje v primeru padca zanihalo stran od upravljavca. Orodja, ki padejo, zanihajo na traku z vponko, kar lahko povzroči poškodbe ali izgubo ravnotežja.

9. Orodja ne uporabljajte v bližini premičnih delov ali delujočih strojev. V nasprotnem primeru lahko pride do zmečkanin ali zapletanja v trak.
10. Orodja ne prenašajte tako, da visi s priključka ali traku z vponko.
11. Orodje vedno držite z rokami in poskrbite, da imate dobro ravnotežje.
12. Traku z vponko ne pripnite tako, da ovira pravično delovanje ščitnikov, sprožilcev ali ročic za zaklep.
13. Pazite, da se ne zaplete v trak z vponko.
14. Traku z vponko ne približujte območju rezanja.
15. Uporabljajte večnamenske in navojne vponke. Ne uporabljajte samo enojnih vzmetnih vponk.
16. Če vam orodje pade, ga morate označiti in prenehati uporabljati ter odnesti v pregled v tovarno Makita ali pooblaščenemu serviserju.

VZDRŽEVANJE

⚠️ POZOR: Preden se lotite pregledovanja ali vzdrževanja orodja, se vedno prepričajte, da je orodje izklopljeno in akumulatorska baterija odstranjena.

OBVESTILO: Nikoli ne uporabljajte bencina, razredčila, alkohola ali podobnega sredstva. V tem primeru se lahko orodje razbarva ali deformira oziroma lahko nastanejo razpoke.

VARNO in ZANESLJIVO delovanje tega izdelka bo zagotovljeno le, če boste popravila, vzdrževanje in nastavitve prepustili pooblaščenemu servisu za orodja Makita ali tovarniškemu osebju, ki vgrajuje izključno originalne nadomestne dele.

DODATNA OPREMA

⚠️ POZOR: Ta dodatni pribor ali pripomočki so predvideni za uporabo z orodjem Makita, ki je opisano v teh navodilih za uporabo. Pri uporabi drugega pribora ali pripomočkov obstaja nevarnost telesnih poškodb. Dodatni pribor ali pripomočke uporabljajte samo za navedeni namen.

Za več informacij o dodatni opremi se obrnite na najbližji pooblaščen servis za orodja Makita.

- Vrtni nastavki
- Originalna akumulator in polnilnik Makita

OPOMBA: Nekateri predmeti na seznamu so lahko priloženi orodju kot standardna dodatna oprema. Lahko se razlikujejo od države do države.

SPECIFIKIMET

Modeli:		DDA450	
Shpejtësia e ingranazhit		E lartë	E ulët
Kapacitetet e shpimit	Çelik	13 mm	
	Dru	Punto turjelë: 38 mm Punto me vetëfurnizim: 50 mm Sharrë për vrima: 101 mm	Punto turjelë: 38 mm Punto me vetëfurnizim: 65 mm Sharrë për vrima: 127 mm
Shpejtësia pa ngarkesë		0 - 1 400 min ⁻¹	0 - 450 min ⁻¹
Gjatësia e përgjithshme (me kutinë e baterisë BL1860B)		434 mm	
Tensioni nominal		D.C. 18 V	
Pesha neto		3,2 - 3,5 kg	

- Për shkak të programit tonë të vazhdueshëm të kërkim-zhvillimit, specifikimet që jepen këtu mund të ndryshojnë pa dhënë njoftim.
- Specifikimet mund të ndryshojnë nga njëri shtet në tjetrin.
- Pesha mund të ndryshojë në varësi të aksesorit(ëve), përfshirë kutinë e baterisë. Kombinimi më i lehtë dhe më i rëndë, sipas Procedurës EPTA 01/2014, tregohet në tabelë.

Kutia e aplikueshme e baterisë dhe karikuesi

Kutia e baterisë	BL1815N / BL1820B / BL1830B / BL1840B / BL1850B / BL1860B
Karikuesi	DC18RC / DC18RD / DC18RE / DC18SD / DC18SE / DC18SF / DC18SH

- Disa prej kutive të baterive dhe karikuesve të renditura më lart mund të mos jenë të disponueshme në varësi të zonës ku ju banoni.

⚠ PARALAJMËRIM: Përdorni vetëm kutitë e baterisë dhe karikuesit e listuar më lart. Përdorimi i karikuesve dhe kutive të tjera të baterisë mund të shkaktojë lëndim dhe/ose zjarr.

Përdorimi i suyar

Pajisja është prodhuar për t'u përdorur për shpime në dru, metal dhe plastikë.

Zhurma

Niveli tipik i zhurmës A, i matur sipas EN62841-2-1:
Niveli i presionit të zhurmës (L_{pA}): 83 dB (A)
Niveli i fuqisë së zhurmës (L_{WA}): 94 dB (A)
Pasiguria (K): 3 dB (A)

SHËNIM: Vlerat e deklaruar totale të emetimeve të zhurmës janë matur sipas një metode standarde testimi dhe mund të përdoren për të krahasuar një vegël me një tjetër.

SHËNIM: Vlerat e deklaruar totale të emetimeve të zhurmës mund të përdoren për një vlerësim paraprak të ekspozimit.

⚠ PARALAJMËRIM: Mbani mbrojtëse për veshët.

⚠ PARALAJMËRIM: Emetimet e zhurmës gjatë përdorimit aktual të veglës elektrike mund të ndryshojnë nga vlerat e deklaruar në varësi të mënyrave sesi përdoret vegla, veçanërisht nga lloji i materialit të punës që përdoret.

⚠ PARALAJMËRIM: Vërtetoni që masat e sigurisë për mbrojtjen e përdoruesit bazohen në vlerësimin e ekspozimit ndaj kushteve aktuale të përdorimit (duke marrë parasysh të gjitha pjesët e ciklit të funksionimit si ato kur pajisja është e fikur dhe punon pa prerë ashtu edhe kohën e përdorimit).

Dridhja

Vlera totale e dridhjeve (shuma e vektorit me tre akse) përcaktohet sipas EN62841-2-1:
Regjimi i punës: shpimi në metal
Emetimi i dridhjeve ($a_{h,D}$): 2,5 m/s² ose më pak
Pasiguria (K): 1,5 m/s²

SHËNIM: Vlerat e deklaruar totale të dridhjeve janë matur sipas një metode standarde testimi dhe mund të përdoren për të krahasuar një vegël me një tjetër.

SHËNIM: Vlerat e deklaruar totale të dridhjeve mund të përdoren për një vlerësim paraprak të ekspozimit.

⚠ PARALAJMËRIM: Emetimet e dridhjeve gjatë përdorimit aktual të veglës elektrike mund të ndryshojnë nga vlerat e deklaruar në varësi të mënyrave sesi përdoret vegla, veçanërisht nga lloji i materialit të punës që përdoret.

⚠ PARALAJMËRIM: Vërtetoni që masat e sigurisë për mbrojtjen e përdoruesit bazohen në vlerësimin e ekspozimit ndaj kushteve aktuale të përdorimit (duke marrë parasysh të gjitha pjesët e ciklit të funksionimit si ato kur pajisja është e fikur dhe punon pa prerë ashtu edhe kohën e përdorimit).

Deklarata e konformitetit me KE-në

Vetëm për shtetet evropiane

Deklarata e konformitetit me KE-në përfshihet si Shtojca A në këtë manual përdorimi.

PARALAJMËRIME SIGURIE

Paralajmërimet e përgjithshme për sigurinë e veglës

▲PARALAJMËRIM: Lexoni të gjitha paralajmërimet për sigurinë, udhëzimet, ilustrimet dhe specifikimet e dhëna me këtë vegël elektrike. Mosndjekja e të gjitha udhëzimeve të renditura më poshtë mund të shkaktojë goditje elektrike, zjarr dhe/ose lëndim të rëndë.

Ruajini të gjitha paralajmërimet dhe udhëzimet për të ardhmen.

Termi "vegël elektrike" në paralajmërimi e referohet veglës elektrike që përdoret e lidhur në prizë (me kordon) ose veglës së përdorur me bateri (pa kordon).

Paralajmërimi i sigurisë për trapanin me bateri

Udhëzimet e sigurisë për të gjitha veprimet

1. **Përdorni dorezën(at) ndihmëse.** Humbja e kontrollit mund të shkaktojë dëmtime personale.
2. **Mbajeni veglën elektrike të sipërfaqet kapëse të izoluar kur të jeni duke kryer një veprim në të cilin aksesorit prerës mund të prekë tela të fshehur.** Nëse aksesorit prerës prek një tel me rrymë, atëherë pjesët metalike të veglës elektrike elektrizohen dhe mund t'i shkaktojnë përdoruesit goditje elektrike.
3. **Gjithmonë sigurohuni që të keni bazament të fortë qëndrimi.** Sigurohuni që të mos ketë njeri poshtë ndërkohë që e përdorni pajisjen në vende të larta.
4. **Mbajeni veglën fort.**
5. **Mbajini duart larg pjesëve rrotulluese.**
6. **Mos e lini veglën të ndezur.** Përdoreni veglën vetëm duke e mbajtur në dorë.
7. **Mos e prekni puntën e shpimit menjëherë pas punës;** mund të jetë shumë i nxehtë dhe mund t'ju djegë lëkurën.
8. **Disa materiale përbajnë kimikate që mund të jenë toksike.** Kini kujdes që të parandaloni thithjen e pluhurave dhe kontaktin me lëkurën. Ndiqni të dhënat e sigurisë nga furnizuesi i materialit.
9. **Nëse maja e puntos nuk mund të lirohet edhe nëse lironi nofullat, përdorni pinca për ta tërhequr.** Në rast të tillë, nxjerrja e majës së puntos me dorë mund të rezultojë në lëndim nga ana e saj e mprehtë.
10. **Nëse ndodh diçka e gabuar me veglën, si p.sh. tinguj jonormalë, ndalojeni menjëherë punën dhe kërkoni qendrës lokale të shërbimit të Makita që ta riparojë.**
11. **Përpara përdorimit, sigurohuni që në tokë nuk ka objekte të futura, si p.sh. tuba elektrike, tuba uji ose gazi.** Përndryshe, vegla mund të bjerë në kontakt me to, duke rezultuar në goditje elektrike, humbje energjike dhe rrjedhje gazi.

Udhëzimet e sigurisë kur përdorni maja puntosh të gjata

1. **Asnjëherë mos e përdorni me shpejtësi më të lartë se shpejtësia maksimale nominale e majës së puntos.** Në shpejtësi më të larta, maja mund të shtrembërohet nëse lejohet të rrotullohet lirshëm pa kontaktuar me materialin e punës, gjë që rezulton në lëndim personal.
2. **Gjithmonë shpuni me shpejtësi të ulëta dhe me majën e puntos në kontakt me materialin e punës.** Në shpejtësi më të larta, maja mund të shtrembërohet nëse lejohet të rrotullohet lirshëm pa kontaktuar me materialin e punës, gjë që rezulton në lëndim personal.
3. **Aplikoni presion vetëm në vijë direkte me majën dhe mos aplikoni presion të tepërt.** Majat mund të shtrembërohen duke shkakuar thyerje ose humbje të kontrollit, duke rezultuar në lëndim personal.

RUAJINI KËTO UDHËZIME.

▲PARALAJMËRIM: MOS lejoni që njohja ose familjarizimi me produktin (të fituar nga përdorimi i shpeshhtë) të zëvendësojnë zbatimin me përpikëri të rregullave të sigurisë për produktin në fjalë. KEQPËRDORIMI ose mosndjekja e rregullave të sigurisë të dhëna në këtë manual përdorimi mund të shkaktojë dëmtime të rënda personale.

Udhëzime të rëndësishme rreth sigurisë për kutinë e baterisë

1. **Përpara se ta përdorni kutinë e baterisë, lexoni të gjitha udhëzimet dhe shënimet e masave parandaluese të (1) ngarkuesit të baterisë, (2) bateria dhe (3) produkti që përdor baterinë.**
2. **Mos e çmontoni ose dëmtoni kutinë e baterisë.** Kjo mund të shkaktojë zjarr, nxehtësi të lartë ose shpërthim.
3. **Nëse koha e përdorimit është shkurtuar jashtë mase, ndalojeni punën menjëherë.** Kjo mund të rezultojë në rrezik mbinxehjeje, djegie të mundshme, madje edhe shpërthim.
4. **Nëse ju futen elektrolitë në sy, shpëlajini sytë me ujë të pastër dhe kërkoni ndihmë mjekësore menjëherë.** Kjo gjë mund të rezultojë në humbje të shikimit.
5. **Mos bëni lidhje të shkurtër me kutinë e baterisë:**
 - (1) **Mos i prekni terminalët me materiale përcjellëse.**
 - (2) **Shmangni ruajtjen e kutisë së baterisë në një kuti me objekte të tjera metalike, si gozhdë, monedha etj.**
 - (3) **Mos e ekspozoni kutinë e baterisë në ujë ose shi.** Qarku i shkurtër i baterisë mund të shkaktojë qarkullim të madh të rrymës elektrike, mbinxehje, djegie të mundshme dhe madje prishje.
6. **Mos e ruani dhe mos e përdorni pajisjen dhe kutinë e baterisë në vende ku temperatura mund të arrijë ose tejkalojë 50 °C (122 °F).**
7. **Mos e digjni kutinë e baterisë, edhe nëse është shumë e dëmtuar ose është konsumuar plotësisht.** Kutia e baterisë mund të shpërthejë në zjarr.
8. **Mos e shpuni, pritni, shtypni, hidhni apo rrëzoni kutinë e baterisë apo ta goditni kutinë e baterisë me një objekt të fortë.** Një sjellje e tillë mund të shkaktojë zjarr, nxehtësi të lartë ose shpërthim.
9. **Mos përdorni bateri të dëmtuar.**

- Bateritë e përfshira të litiumit, u nënshtrohen kërkesave të legjislacionit për mallrat e rrezikshme.** Për transport tregtar p.sh. nga palë të treta, agjentët të ndërmjetëm, duhet të ndiqen kërkesa specifike mbi paketimin dhe etiketimin. Për përgatitjen e artikullit për transport, është i nevojshëm konsultimi i një eksperti për materiale të rrezikshme. Ju lutemi, ndiqni gjithashtu rregulloret me gjasë më të detajuara vendore. Mbuloni me ngjyeshme ose maskoni kontaktet e zhveshura dhe paketojeni baterinë në mënyrë të tillë që të mos lëvizë në paketim.
- Kur hidhni kutinë e baterisë, hiqeni nga vegla dhe hidhni në një vend të sigurt. Zbatoni rregulloret lokale rreth hedhjes së baterisë.**
- Përdorini bateritë vetëm me produktet e specifikuar nga Makita.** Instalimi i baterive në produkte të papajtueshme mund të rezultojë në zjarr, nxehtësi të lartë, shpërthim ose rrjedhje të elektrolitëve.
- Nëse vegla nuk përdoret për një periudhë të gjatë kohe, bateria duhet të hiqet nga vegla.**
- Gjatë dhe pas përdorimit, kutia e baterisë mund të nxehtë, gjë që mund të shkaktojë djegie ose djegie në temperaturë të ulët. Tregoni kujdes gjatë manovrimit të kutive të nxehta të baterive.**
- Mos prekni terminalin e veglës menjëherë pas përdorimit pasi mund të nxehtë aq shumë sa të shkaktojë djegie.**
- Mos lejoni që grumbullimin e ashklave, pluhurave ose papastërtive në terminalët, vrimat ose kanalet e kutisë së baterisë.** Kjo mund të shkaktojë rendiment të ulët ose dëmtim të veglës ose të kutisë së baterisë.
- Përveç kur vegla e mbështet përdorimin pranë linjave elektrike me voltazh të lartë, mos e përdorni kutinë e baterisë pranë linjave elektrike me voltazh të lartë.** Kjo mund të shkaktojë një defekt ose dëmtim të veglës ose të kutisë së baterisë.
- Mbajeni baterinë larg fëmijëve.**

RUAJINI KËTO UDHËZIME.

▲KUJDES: Përdorni vetëm bateri origjinale Makita. Përdorimi i baterive jo-origjinale Makita ose baterive që mund të jenë modifikuar, mund të rezultojë në marrjen flakë të baterisë, lëndime personale apo dëmtime. Kjo do të anulohet gjithashtu edhe garancinë e Makita-s për veglën e Makita-s dhe ngarkuesin.

Këshilla për të ruajtur jetëgjatësinë maksimale të baterisë

- Ngarkojeni baterinë përpara se të shkarkohet plotësisht.** Gjithmonë ndaloni punën me pajisjen dhe ngarkoni baterinë kur vëreni ulje të fuqisë së pajisjes.
- Asnjëherë mos e ringarkoni baterinë e ngarkuar plotësisht.** Mbingarkimi shkurton jetëgjatësinë e shërbimit të baterisë.
- Ngarkojeni baterinë në temperaturën e dhomës në 10 °C - 40 °C.** Lëreni kutinë e nxehtë të baterisë të ftohet përpara se ta ngarkoni atë.
- Kur nuk e përdorni kutinë e baterisë, hiqeni atë nga vegla ose karikuesi.**
- Ngarkojeni baterinë nëse nuk e përdorni për një kohë të gjatë (mbi gjashtë muaj).**

PËRSHKRIMI I PUNËS

▲KUJDES: Sigurohuni gjithmonë që vegla të jetë e fikur dhe kutia e baterisë të jetë hequr përpara se ta rregulloni apo t'i kontrolloni funksionet e veglës.

Instalimi ose heqja e kutisë së baterisë

▲KUJDES: Fikeni gjithmonë veglën përpara se të instaloni ose hiqni kutinë e baterisë.

▲KUJDES: Mbajeni fort veglën dhe kutinë e baterisë kur montoni ose hiqni kutinë e baterisë.

Mosmbajta fort e veglës dhe e kutisë së baterisë mund të bëjë që t'ju rrëshqasin nga duart dhe të shkaktojë dëmtim të veglës dhe të kutisë së baterisë, si dhe lëndim personal.

► Fig.1: 1. Treguesi i kuq 2. Butoni 3. Kutia e baterisë

Për të hequr kutinë e baterisë, rrëshqitni atë nga vegla ndërsa rrëshqasin butonin në pjesën e përparme të kutisë së baterisë.

Për të vendosur kutinë e baterisë, bashkërenditni gjuhëzën e kutisë së baterisë me kanalën e folesë dhe rrëshqitni për ta futur. Futni deri në fund, derisa të kërca së dhe të bllokohet në vend. Nëse shikoni treguesin e kuq në anën e sipërme të butonit, ajo nuk është e bllokuar plotësisht.

▲KUJDES: Vendoseni gjithnjë plotësisht kutinë e baterisë derisa treguesi i kuq të mos duket. Në të kundërt, ajo mund të bjerë aksidentalisht nga vegla duke ju lënduar juve ose personin pranë jush.

▲KUJDES: Mos e vendosni me forcë kutinë e baterisë. Nëse kutia nuk hyn lehtë, nuk po e futni siç duhet.

Treguesi i kapacitetit të mbetur të baterive

Vetëm për kuti baterie me llambë

► Fig.2: 1. Llambat treguese 2. Butoni i kontrollit

Shtypni butonin e kontrollit në kutinë e baterisë për të treguar kapacitetin e mbetur të baterisë. Llambat treguese ndizen për pak sekonda.

Llambat treguese			Kapaciteti i mbetur
Ndezur	Fikur	Duke pulsuar	
■	□	▧	75% deri 100%
■	■	■	50% deri 75%
■	■	□	25% deri 50%
■	□	□	0% deri 25%
▧	□	□	Ngarkojeni baterinë.
■	■	□	Llambushka mund të ketë keqfunksionuar.
□	□	■	

SHËNIM: Në varësi të kushteve të përdorimit dhe të temperaturës së ambientit, treguesi mund të ndryshojë paksa nga kapaciteti aktual.

SHËNIM: Llamba e parë e treguesit (në fund majtas) do të pulsojë kur sistemi i mbrojtjes së baterisë është në punë.

Sistemi i mbrojtjes së veglës/baterisë

Vegla është e pajisur me një sistem të mbrojtjes së veglës/baterisë. Ky sistem ndërpret automatikisht energjinë në motor për të zgjatur jetëgjatësinë e veglës dhe baterisë. Vegla do të ndalojë automatikisht gjatë punës nëse vegla ose bateria janë vendosur sipas një prej kushteve të mëposhtme:

Mbrojtja nga mbingarkesa

Kur vegla/bateria vihet në punë në një mënyrë që e bën atë të tërheqë një rymë më të lartë nga normalja, vegla ndalon automatikisht. Në këtë situatë, fiken veglën dhe ndaloni punën që shkaktoi mbingarkesën e veglës. Pastaj ndizen veglën për ta rinisur.

Mbrojtja ndaj mbinxehjes

Kur vegla/bateria është mbinxehur, vegla ndalon automatikisht dhe llamba e funksionimit do të pulsojë. Në këtë situatë, lëreni veglën të ftohet përpara se ta ndizni sërish.

Mbrojtja nga mbishkarkimi

Kur kapaciteti i baterisë nuk është i mjaftueshëm, vegla ndalon automatikisht. Në këtë rast, hiqeni baterinë nga vegla dhe ngarkojeni.

Veprimi i ndërrimit

▲KUJDES: Përpara se ta vendosni kutinë e baterisë në vegël, kontrolloni gjithmonë nëse çelësi është në pozicionin e duhur dhe nëse kthehet në pozicionin "OFF" (fikur) kur lëshohet.

► Fig.3: 1. Këmbëza e çelësit

Për ta ndezur veglën, tërhiqni këmbëzën e çelësit. Shpejtësia e veglës rritet me rritjen e trysnisë në këmbëzën e çelësit. Lëshoni këmbëzën e çelësit për ta ndaluar.

SHËNIM: Vegla ndalon automatikisht nëse vazhdoni të tërhiqni këmbëzën e çelësit për rreth 6 minuta.

Ndezja e llambës së përparme

▲KUJDES: Mos e shikoni direkt dritën ose burimin e dritës.

► Fig.4: 1. Llamba

Tërhiqni çelësin për të ndezur llambën. Llamba vazhdon të ndriçojë gjatë tërheqjes së çelësit. Llamba fiket afërsisht pas 10 sekondash pas lëshimit të këmbëzës së çelësit.

SHËNIM: Kur vegla është e mbinxehur, ajo ndalon automatikisht dhe llamba nis të pulsojë. Në këtë rast, lëshoni këmbëzën e çelësit. Llamba fiket për 1 minutë.

SHËNIM: Përdorni një leckë të thatë për të fshirë papastërtitë nga lentet e llambës. Bëni kujdes të mos gërvishni lentet e llambës, në të kundërt ajo do të ulë ndriçimin.

Çelësi i ndryshimit të veprimit

▲KUJDES: Kontrolloni gjithmonë drejtimin e rrotullimit përpara përdorimit.

▲KUJDES: Përdorni çelësin e ndryshimit vetëm pasi vegla të ndalojë plotësisht. Ndryshimi i drejtimit të rrotullimit përpara se të ndalojë vegla mund të dëmtojë veglën.

▲KUJDES: Kur nuk e përdorni veglën, vendoseni gjithmonë levën e çelësit të ndryshimit në pozicionin neutral.

Vegla ka një çelës ndryshimi për të ndryshuar drejtimin e rrotullimit. Shtypni levën e çelësit të ndryshimit nga ana A për rrotullimin në drejtimin orar ose nga ana B për rrotullimin në drejtimin kundërorar.

Kur leva e çelësit të ndryshimit është në pozicionin neutral, leva e çelësit nuk mund të tërhiqet.

► Fig.5: 1. Leva e ndryshimit të veprimit

Ndryshimi i shpejtësisë

VINI RE: Përdorni çelësin për ndryshimin e shpejtësisë vetëm pasi vegla të ndalojë plotësisht. Ndryshimi i shpejtësisë së veglës para se vegla të ndalojë mund të dëmtojë veglën.

VINI RE: Gjithmonë vendoseni me kujdes çelësin për ndryshimin e shpejtësisë në pozicionin e duhur. Nëse e përdorni veglën me çelësin për ndryshimin e shpejtësisë të pozicionuar diku në mes të pozicionit 1 dhe 2, vegla mund të dëmtohet.

VINI RE: Nëse shpejtësia e rrotullimit ulët në mënyrë të konsiderueshme gjatë vënies në punë në regjimin me shpejtësi të lartë, ndaloni veglën dhe ndryshojeni në regjimin me shpejtësi të ulët. Ndryses, motori mund të mbingarkohet dhe të shkaktojë keqfunksionim ose zjarr.

Mund të zgjidhen paraprakisht dy shkallë shpejtësie me anë të çelësit për ndryshimin e shpejtësisë.

Për të ndryshuar shpejtësinë, kthejeni çelësin e ndryshimit të shpejtësisë në mënyrë të tillë që treguesi të tregojë pozicionin 1 për modalitetin e shpejtësisë së ulët ose pozicionin 2 për modalitetin e shpejtësisë së lartë.

► Fig.6: 1. Treguesi 2. Çelësi i ndryshimit të shpejtësisë

Funksioni elektronik

Freni elektrik

Kjo vegël është pajisur me fren elektrik. Nëse vegla vazhdimisht nuk arrin të ndalojë me shpejtësi funksionimin pasi lëshohet këmbëza e çelësit, dërgojeni veglën për shërbim te një qendër shërbimi Makita.

Veçoria e ndezjes së ngadaltë

Ky funksion lejon ndezjen pa probleme të veglës duke kufizuar forcën rrotulluese në ndezje.

MONTIMI

▲KUJDES: Sigurohuni gjithmonë që vegla të jetë e fikur dhe kutia e baterisë të jetë hequr përpara se të kryeni ndonjë punë në vegël.

Instalimi i mbajtëses anësore (dorezës ndihmëse)

▲KUJDES: Sigurohuni gjithnjë që mbajtësja anësore është instaluar siç duhet përpara përdorimit.

Vidhosni fort mbajtësen anësore mbi vegël. Mbajtësja anësore mund të montohet në cilëndo anë të veglës, cilado t'ju përshtatet.

► **Fig.7:** 1. Mbajtësja anësore

Instalimi i mbajtësit të çelësit

(Sipas shtetit)

▲KUJDES: Sigurohuni gjithnjë që mbajtësi i çelësit është instaluar siç duhet përpara përdorimit.

Vidhoseni mirë mbajtësin e çelësit në vegël. Pastaj vendoseni çelësin e mandrinës në pozicion.

► **Fig.8:** 1. Mbajtësi i çelësit 2. Vida 3. Çelësi i mandrinës

Instalimi ose heqja e majës së puntos

Për të instaluar majën e puntos, vendoseni në mandrinë deri në fund. Shtrëngoni mandrinën me dorë. Vendosni çelësin e mandrinës në secilën nga tri vrimat dhe shtrëngojeni në drejtim të akrepave të orës. Sigurohuni që t'i shtrëngoni të tri vrimat e mandrinës në mënyrë të barabartë.

Për të hequr majën e puntos, rrotulloni çelësin e mandrinës në drejtim të kundërt të akrepave të orës vetëm në një nga vrimat dhe më pas lirojeni mandrinën me dorë.

► **Fig.9:** 1. Çelësi i mandrinës

Pas përdorimit, kthejeni çelësin e mandrinës në mbajtësin e çelësit në vegël siç ilustron.

► **Fig.10:** 1. Mbajtësi i çelësit

Grepi

▲KUJDES: Hiqeni gjithmonë baterinë kur e varni veglën me anë të grepit.

▲KUJDES: Mos e varni asnjëherë veglën në vend të lartë ose në sipërfaqe që mund të jetë e paqëndrueshme.

Grepi shërben për ta varur veglën përkohësisht. Për ta përdorur grepin, thjesht ngrijeni grepin derisa të ngecë në pozicionin hapur. Kur nuk e përdorni, uleni gjithmonë grepin derisa të ngecë në pozicionin mbyllur.

► **Fig.11:** 1. Grep

► **Fig.12**

Lidhja e kordonit (rripit lidhës) me kapësen

▲KUJDES: Mos i përdorni kapësen dhe vidat nëse janë të dëmtuara. Përpara përdorimit, gjithmonë kontrolloni për dëmtime, plasaritje ose deformime dhe sigurohuni që vidat të jenë të shtrënguara.

▲KUJDES: Sigurohuni që kapësja të jetë e montuar në mënyrë të sigurt me vida.

▲KUJDES: Mos instaloni apo hiqni ndonjë aksesori gjatë varjes së veglës. Vegla mund të bjerë nëse vidat nuk janë shtrënguar.

▲KUJDES: Përdorni gjithmonë një kllapë bllokimi me sustë (tipi me mbyllje me vidhosje dhe me shumë veprime) dhe sigurohuni që të lidhni kordonin (rripin lidhës) me pjesën me dy unaza të kapësës. Lidhja e papërshtatshme mund të shkaktojë rrëzimin e veglës nga kapësja dhe të shkaktojë lëndime personale.

Kapësja përdoret po ashtu për lidhjen e kordonit (rripit lidhës). Sigurohuni që ta lidhni kordonin (rripin lidhës) me pjesën me dy unaza të kapësës.

► **Fig.13:** 1. Pjesa me dy unaza e kapësës 2. Kordoni (rripin lidhës) 3. Kllapa bllokuese me sustë (tipi me mbyllje me vidhosje dhe me shumë veprime)

PËRDORIMI

▲KUJDES: Futeni gjithmonë deri në fund kutinë e baterisë derisa të bllokohet në vend.

Nëse shikoni treguesin e kuq në anën e sipërme të butonit, ajo nuk është e bllokuar plotësisht. Futeni plotësisht derisa treguesi i kuq të mos shihet. Në të kundërt, ajo mund të bjerë aksidentalisht nga vegla duke ju lënduar juve ose personin pranë jush.

▲KUJDES: Kur shpejtësia ulet shumë, ulni ngarkesën ose ndaloni veglën për të shmangur dëmtimin e saj.

▲KUJDES: Mbajeni veglën fort gjatë përdorimit të veglës.

Mbajtja e veglës

▲KUJDES: Kjo është një vegël e fuqishme. Zhvillohet një forcë e lartë rrotulluese dhe është e rëndësishme që vegla të mbahet fort dhe të shtrëngohet siç duhet.

Mbërthejeni dorezën me një dorë dhe dorezën e përparme me dorën tjetër.

► **Fig.14:** 1. Doreza e përparme 2. Doreza

Funksionimi i shpimit

Shpimi në dru

Gjatë shpimit në dru arrihen rezultate më të mira me përdorimin e puntave për dru me vidë udhëzuese. Vida udhëzuese lehtëson shpimin sepse tërheq majën e puntos në objekt.

Shpimi në metal

Për të parandaluar daljen e majës së puntos kur bëni një vrimë, bëni një shenjë me bulino dhe çekiç në vendin ku do të shpohet. Pastaj në vendin e shënuar vendosni majën e puntos dhe filloni shpimin. Gjatë shpimit të metalit përdorni lubrifikuesin për prerje. Përfundimisht bëni shpimi i hekurit dhe bronzi që duhet të shpohen në të thatë.

▲KUJDES: Shtypja e tepërt e veglës nuk do të shpejtojë shpimin. Në fakt, shtypja e madhe do të dëmtojë majën e puntos, zvogëlon efikasitetin e veglës dhe shkurton afatin e përdorimit të veglës.

▲KUJDES: Mbajeni veglën fort dhe bëni kujdes kur maja e puntos fillon të depërtojë përmes objektit që po punohet. Gjatë depërimit të puntos në anën e kundërt të objektit mbi vegël/majën e puntos ushtrohet një forcë e madhe shpuese.

▲KUJDES: Maja e puntos e ngecur mund të hiqet thjesht duke vendosur çelësin e ndryshimit në rrotullimin e anasjelltë për ta nxjerrë puntun. Megjithatë, vegla mund të dalë papritmas nëse nuk e mbani fort.

▲KUJDES: Siguroni gjithmonë materialet e punës në mosë ose pajisje të ngjashme për shtrengim.

▲KUJDES: Shmangni shpimin në materiale ku dyshoni se ndodhen gozhdë të fshehura ose gjëra të tjera që mund të shtrembërojnë ose thejnë majën e puntos.

▲KUJDES: Nëse vegla përdoret në mënyrë të vazhdueshme derisa kutia e baterisë të shkarkohet, mos e përdorni veglën për 15 minuta derisa të vazhdoni me një bateri të re.

Lidhja me kordon (rrip lidhës)

▲Paralajmërimet e sigurisë specifike për përdorimin në lartësi
Lexoni të gjitha paralajmërimet dhe udhëzimet për sigurinë. Mosndjekja e paralajmërimeve dhe e udhëzimeve mund të rezultojë në lëndime serioze.

1. **Gjithmonë mbajeni veglën të lidhur kur punoni “në lartësi”.** Gjatësia maksimale e kordonit është 2 m (6,5 ft). Lartësia maksimale e lejueshme e rënies së kordonit (rripit lidhës) nuk duhet të jetë mbi 2 m (6,5 ft).
2. Përdoreni vetëm me kordon të përshtatshëm për këtë lloj vegle dhe të miratuar për të paktën 5,0 kg (11,0 lbs).
3. Mos e ankoroni kordonin e veglës në ndonjë gjë në trupin tuaj ose në komponentë të lëvizshëm. Ankoroni kordonin e veglës në një strukturë të fortë që mund t’u bëjë ballë forcave të një vegle që bie.
4. Sigurohuni që kordoni të jetë siguruar mirë në secilin anë përpara përdorimit.
5. Inspektojeni veglën dhe kordonin përpara çdo përdorimi për dëmtime dhe për funksionimin e rregullt (duke përfshirë copën dhe fijen e qepjes). Mos e përdorni nëse është i dëmtuar ose nuk funksionon në rregull.
6. Mos i mbështillni kordonët rrotull cepave të mprehtë ose të ashpër, ose mos i lejoni të bien në kontakt me to.

7. Shtrengojeni anën tjetër të kordonit jashtë zonës së punës në mënyrë që vegla të mbahet në mënyrë të sigurt nëse bie.
8. Lidhni kordonin në mënyrë të tillë që vegla të lëvizë larg nga operatori nëse bie. Veglat që bien do të luhaten në kordon, gjë që mund të shkaktojë lëndim ose humbje të ekuilibrit.
9. Mos e përdorni pranë pjesëve që lëvizin ose makinerive që janë në punë. Në të kundërt, mund të shkaktohet rrezik shtypjeje ose ngecjeje.
10. Mos e transportoni veglën nga pajisja e bashkuar ose nga kordoni.
11. Transferojeni veglën nga njëra dorë në tjetrën vetëm kur keni ekuilibrin e duhur.
12. Mos i bashkoni kordonët me veglën në mënyrë të tillë që pengon funksionimin e mbrojtëseve, çelësve ose zhblokuesve.
13. Shmangni ngecjen nëpër kordon.
14. Mbajeni kordonin larg zonës së prerjes së veglës.
15. Përdorni kllapa me shumë funksione dhe të llojit me vidhosje. Mos përdorni kllapa me një funksion dhe me kapëse.
16. Në rast se vegla rrezohet, ajo duhet të etiketohet dhe të hiqet nga shërbimi dhe duhet të inspektohet nga një fabrikë ose qendër e autorizuar shërbimi Makita.

MIRËMBAJTJA

▲KUJDES: Sigurohuni gjithmonë që vegla të jetë fikur dhe të jetë hequr nga bateria përpara se të kryeni inspektimin apo mirëmbajtjen.

VINI RE: Mos përdorni kurrë benzinë, benzinë pastrimi, hollues, alkoool dhe të ngjashme. Mund të shkaktoni çngjyrosje, deformime ose krisje.

Për të ruajtur SIGURINË dhe QËNDRUESHMËRINË, riparimet dhe çdo mirëmbajtje apo rregullim tjetër duhen kryer nga qendrat e autorizuar të shërbimit ose të shërbimit të fabrikës të Makita-s, duke përdorur gjithnjë pjesë këmbimi të Makita-s.

AKSESORË OPSIONALË

▲KUJDES: Këta aksesorë ose shtojca rekomandohen për përdorim me veglën Makita të përcaktuar në këtë manual. Përdorimi i aksesorëve apo shtojcave të tjera ndryshe nga këto mund të përbëjë rrezik lëndimi. Aksesorët ose shtojcat përdorini vetëm për qëllimin e tyre të përcaktuar.

Nëse keni nevojë për më shumë të dhëna në lidhje me aksesorët, pyesni qendrën vendore të shërbimit të Makita-s.

- Majat e puntove
- Bateri dhe ngarkues original Makita

SHËNIM: Disa artikuj të listës mund të përfshihen në paketën e veglës si aksesorë standardë. Ato mund të ndryshojnë nga njëri shtet në tjetrin.

СПЕЦИФИКАЦИИ

Модел:		DDA450	
Предавка		Високи	Ниски
Работен капацитет при пробиване	Стомана	13 мм	
	Дърво	Винтово свердело: 38 мм Самопроходно свердело: 50 мм Боркорона: 101 мм	Винтово свердело: 38 мм Самопроходно свердело: 65 мм Боркорона: 127 мм
Скорост без товар		0 – 1 400 мин ⁻¹	0 – 450 мин ⁻¹
Обща дължина (с акумулаторна батерия BL1860B)		434 мм	
Номинално напрежение		Постоянно напрежение 18 V	
Нетно тегло		3,2 – 3,5 кг	

- Поради нашата непрекъсната научно-развойна дейност посочените тук спецификации могат да бъдат променени без предизвестие.
- Спецификациите може да са различни в различните държави.
- Теглото може да се различава в зависимост от принадлежността(ите), включително акумулаторната батерия. Най-леката и най-тежката комбинация в съответствие с процедурата на ЕРТА 01/2014 са показани в таблицата.

Приложима акумулаторна батерия и зарядно устройство

Акумулаторна батерия	BL1815N / BL1820B / BL1830B / BL1840B / BL1850B / BL1860B
Зарядно устройство	DC18RC / DC18RD / DC18RE / DC18SD / DC18SE / DC18SF / DC18SH

- Някои от акумулаторните батерии и зарядните устройства, посочени по-горе, може да не са налични в зависимост от региона на местоживеене.

▲ ПРЕДУПРЕЖДЕНИЕ: Използвайте само посочените по-горе акумулаторни батерии и зарядни устройства. Използването на други акумулаторни батерии и зарядни устройства може да причини нараняване и/или пожар.

Предназначение

Инструментът е предназначен за пробиване на отвори в дърво, метал и пластмаса.

Шум

Обичайното ниво на шума с тегловен коефициент А, определено съгласно EN62841-2-1:

Ниво на звуково налягане (L_{pA}): 83 dB(A)

Ниво на звукова мощност (L_{WA}): 94 dB(A)

Коефициент на неопределеност (K): 3 dB(A)

ЗАБЕЛЕЖКА: Обявената(ите) стойност(и) на шумовите емисии e (са) измерена(и) в съответствие със стандартни методи за изпитване и може да се използва(т) за сравняване на инструменти.

ЗАБЕЛЕЖКА: Обявеното(ите) стойност(и) на шумови емисии може да се използва(т) също и за предварителна оценка на вредното въздействие.

▲ ПРЕДУПРЕЖДЕНИЕ: Използвайте предпазни средства за слуха.

▲ ПРЕДУПРЕЖДЕНИЕ: Нивото на шума при работа с електрически инструмент може да се различава от обявената(ите) стойност(и) в зависимост от начина на използване на инструмента, по-специално какъв детайл се обработва.

▲ ПРЕДУПРЕЖДЕНИЕ: Задължително определете предпазни мерки за защита на оператора въз основа на оценка на риска в реални работни условия (като се вземат предвид всички етапи на работния цикъл, като например момента на изключване на инструмента, работата на празен ход, както и времето на задействане).

Вибрации

Общата стойност на вибрациите (сума от три осови вектора), определена съгласно EN62841-2-1:

Работен режим: пробиване в метал

Ниво на вибрациите ($a_{h,D}$): 2,5 m/s² или по-малко

Коефициент на неопределеност (K): 1,5 m/s²

ЗАБЕЛЕЖКА: Обявената(ите) обща(и) стойност(и) на вибрациите е(са) измерена(и) в съответствие със стандартни методи за изпитване и може да се използва(т) за сравняване на инструменти.

ЗАБЕЛЕЖКА: Обявената(ите) обща(и) стойност(и) на вибрациите може да се използва(т) също и за предварителна оценка на вредното въздействие.

▲ПРЕДУПРЕЖДЕНИЕ: Нивото на вибрациите при работа с електрическия инструмент може да се различава от обявената(ите) стойност(и) в зависимост от начина на използване на инструмента, по-специално какъв детайл се обработва.

▲ПРЕДУПРЕЖДЕНИЕ: Задължително определете предпазни мерки за защита на оператора въз основа на оценка на риска в реални работни условия (като се вземат предвид всички етапи на работния цикъл, като например момента на изключване на инструмента, работата на празен ход, както и времето на задействане).

ЕО декларация за съответствие

Само за европейските страни

ЕО декларацията за съответствие е включена като Анекс А към тази инструкция за употреба.

ПРЕДУПРЕЖДЕНИЯ ЗА БЕЗОПАСНОСТ

Общи предупреждения за безопасност при работа с електрически инструменти

▲ПРЕДУПРЕЖДЕНИЕ: Прочетете всички предупреждения, инструкции, илюстрации и спецификации за безопасността, предоставени с този електрически инструмент. При неспазване на изброените по-долу инструкции има опасност от токов удар, пожар и/или тежко нараняване.

Запазете всички предупреждения и инструкции за справка в бъдеще.

Терминът "електрически инструмент" в предупрежденията се отнася за вашия инструмент (с кабел за включване в мрежата) или работещ на батерии (безжичен) електрически инструмент.

Предупреждения за безопасност с акумулаторна бормашина

Инструкции за безопасност за всички операции

1. Използвайте спомагателната(ите) ръкохватка(и). Загубата на контрол може да причини нараняване.
2. Дръжте електрическия инструмент за изолираните и нехлъзгави повърхности, когато има опасност рещещият елемент да допре скрити кабели. Ако рещещият елемент докосне проводник под напрежение, токът може да премине през металните части на електрическия инструмент и да „ударя“ работещия.

3. Винаги осигурявайте добра опора за краката си. Когато използвате инструмента на високи места, се убедете, че отдолу няма никой.
4. Дръжте инструмента здраво.
5. Дръжте ръцете си далеч от въртящите се части.
6. Не оставяйте инструмента да работи без надзор. Инструментът трябва да работи само когато го държите в ръце.
7. Не докосвайте свредлото или работния детайл непосредствено след работа, защото могат да са много горещи и да изгорят кожата ви.
8. Някои материали съдържат химикали, които е възможно да са токсични. Вземете предпазни мерки, за да предотвратите вдишването на прах и контакта с кожата. Следвайте информацията на доставчика за безопасната работа с материала.
9. Ако свредлото не може да се разхлаби дори при отваряне на челоустите, използвайте клещи, за да го извадите. Изваждането на свредлото с ръка може да Ви нарани с остриите си ръбове.
10. При проблем с инструмента, например необичайни звъци, спрете незабавно работата и се обърнете към местния сервиз на Makita за извършване на ремонт.
11. Преди работа се уверете, че в земята няма скрит обект, като тръба за електрическа инсталация, тръба за водопровод или тръба за газ. В противен случай инструментът може да влезе в контакт с тях, което ще доведе до електрически удар, токова утечка или изтичане на газ.

Инструкции за безопасност при използване на дълги свредла

1. Никога не работете на по-високи обороти от максималните, за които е оразмерено свредлото. При по-високи обороти свредлото може да се огъне, ако му се позволи да се върти свободно, без да е в контакт с детайла, което ще доведе до телесно нараняване.
2. Винаги започвайте да пробивате на ниски обороти и с връх на свредлото, допрян до детайла. При по-високи обороти свредлото може да се огъне, ако му се позволи да се върти свободно, без да е в контакт с детайла, което ще доведе до телесно нараняване.
3. Прилагайте натиск само по права линия спрямо свредлото, но не натискайте твърде силно. Свредлата може да се огънат, което ще доведе до счупване или загуба на контрол, причинявайки телесни наранявания.

ЗАПАЗЕТЕ НАСТОЯЩИТЕ ИНСТРУКЦИИ.

▲ПРЕДУПРЕЖДЕНИЕ: НЕ позволявайте комфорта от познването на продукта (придобит при дългата му употреба) да замени стриктното спазване на правилата за безопасност за въпросния продукт. НЕПРАВИЛНАТА УПОТРЕБА и неспазването на правилата за безопасност, посочени в настоящото ръководство за експлоатация, могат да доведат до тежки наранявания.

Важни инструкции за безопасност за акумулаторната батерия

1. Преди да използвате акумулаторната батерия, прочетете всички инструкции и предупредителни маркировки на (1) зарядното устройство за батериите, (2) за батериите и (3) за използващия батериите продукт.
2. Не разглобявайте и не променяйте акумулаторната батерия. Това може да предизвика пожар, прегряване или взрив.
3. Ако мощността на машината намалее много, веднага спрете да работите. Това може да доведе до риск от прегряване, до възможни изгаряния и даже до експлозии.
4. Ако в очите ви попадне електролит, изплакнете ги с чиста вода и веднага потърсете лекарска помощ. Това може да доведе до загуба на зрението ви.
5. Не давайте на късо акумулаторните батерии:
 - (1) Не докосвайте клемите с проводими материали.
 - (2) Избягвайте съхраняването на акумулаторните батерии в контейнер с други метални предмети като пирони, монети и други подобни.
 - (3) Не излагайте акумулаторните батерии на вода или дъжд.Закъсяването на акумулаторна батерия може да доведе до протичане на много силен ток, до прегряване, до възможни изгаряния и даже до разпадане на батерията.
6. Не съхранявайте и не използвайте инструмента и акумулаторните батерии на места, където температурата може да достигне или надмине 50 °C (122 °F).
7. Не изгаряйте акумулаторните батерии даже и ако те са сериозно повредени или напълно износени. Акумулаторната батерия може да експлодира в огън.
8. Не забивайте пирони, не режете, не смачкавайте, не хвърляйте, не изпускате и не удяряйте в твърд предмет акумулаторната батерия. Това поведение може да предизвика пожар, прегряване или взрив.
9. Не използвайте повредени акумулаторни батерии.
10. Съдържащите се литиево-йонни акумулаторни батерии са обект на изискванията на законодателството за опасни стоки. При търговски превози, напр. от трети страни, спедитори, трябва да се спазват специални изисквания за опаковане и етикетирание. За подготовка на артикула, който трябва да бъде изпратен, е необходима консултация с експерт по опасните материали. Моля, спазвайте и евентуално по-подробните национални разпоредби. Запелете с лента или покрийте откритите контакти и опаковайте акумулаторната батерия по такъв начин, че да не може да се премества в опаковката.
11. При изхвърляне на акумулаторната батерия я извадете от инструмента и я изхвърлете на подходящо място. Спазвайте местните разпоредби за изхвърляне на акумулаторни батерии.

12. Използвайте батериите само с продуктите, определени от Makita. Поставянето на батериите към неподобрени продукти може да предизвика пожар, прегряване, взрив или изтичане на електролит.
13. Ако инструментът няма да се използва продължително време, батерията трябва да се извади от него.
14. По време на и след употреба акумулаторната батерия може да поеме топлина, която може да причини изгаряния или нискотемпературни изгаряния. Внимавайте, когато боравите с горещите акумулаторни батерии.
15. Не докосвайте клемата на инструмента веднага след употреба, тъй като е възможно да е достатъчно нагрята, за да предизвика изгаряния.
16. Не позволявайте стружки, прах или почва да полепят по клемите, отворите и каналите на акумулаторната батерия. Това може да доведе до лоши работни характеристики или повреда на инструмента или акумулаторната батерия.
17. Освен ако инструментът поддържа използването в близост до високоволтови електропроводи, не използвайте акумулаторната батерия близо до високоволтови електропроводи. Това може да доведе до неизправност или повреда на инструмента или акумулаторната батерия.
18. Пазете батерията от деца.

ЗАПАЗЕТЕ НАСТОЯЩИТЕ ИНСТРУКЦИИ.

⚠ВНИМАНИЕ: Използвайте само оригинални акумулаторни батерии на Makita. При използване на различни от акумулаторните батерии на Makita или стари акумулаторни батерии може да се получи пръскане на акумулаторната батерия, което да доведе до пожар, нараняване или повреда. Това също ще анулира гаранцията на Makita за инструмента и зарядното устройство Makita.

Съвети за поддържане на максимално дълъг живот на акумулаторните батерии

1. Зареждайте акумулаторните батерии, преди те да са се разредили напълно. Когато забележите, че мощността на инструмента намалява, винаги спирайте работата с инструмента и заредете акумулаторната батерия.
2. Никога не презареждайте напълно заредена акумулаторна батерия. Презарядът скъсява експлоатационния живот на батерията.
3. Зареждайте акумулаторната батерия при стайна температура от 10 °C – 40 °C (50 °F – 104 °F). Оставете зарегите акумулаторни батерии да се охладят, преди да ги зареждате.
4. Когато не използвате акумулаторната батерия, извадете я от инструмента или зарядното устройство.
5. Заредете акумулаторната батерия, ако не сте го използвали дълъг период от време (повече от шест месеца).

ОПИСАНИЕ НА ФУНКЦИИТЕ

⚠ ВНИМАНИЕ: Винаги проверявайте дали инструментът е изключен и касетата с акумулаторната батерия е извадена, преди да регулирате или проверявате дадена функция на инструмента.

Поставяне и изваждане на акумулаторната батерия

⚠ ВНИМАНИЕ: Винаги изключвайте инструмента преди поставяне или изваждане на акумулаторната батерия.

⚠ ВНИМАНИЕ: Когато инсталирате или изваждате акумулаторната батерия, дръжте здраво инструмента и акумулаторната батерия. Ако не държите здраво инструмента и акумулаторната батерия, те могат да се изплъзнат от ръцете ви и да доведат до повреждане на инструмента и акумулаторната батерия или нараняване.

► **Фиг.1:** 1. Червен индикатор 2. Бутон 3. Акумулаторна батерия

За да извадите акумулаторната батерия, я плъзнете извън инструмента, плъзгайки същевременно бутон в предната част на акумулаторната батерия.

За да поставите акумулаторната батерия, изравнете езичето на акумулаторната батерия с жлеба в корпуса и го плъзнете на мястото му. Вмъкнете го докрай, докато ключалката го задържи на място с малко прищракване. В случай че виждате червения индикатор в горната част на бутон, това означава, че тя не е фиксирана напълно на мястото си.

⚠ ВНИМАНИЕ: Винаги вмъквайте акумулаторната батерия докрай, така че червеният индикатор да се скрие. В противен случай тя може неволно да изпадне от инструмента, което може да нарани вас или някого около вас.

⚠ ВНИМАНИЕ: Не инсталирайте акумулаторната батерия със сила. Ако батерията не се движи свободно, тя не е била поставена правилно.

Индикация на оставащия капацитет на акумулаторната батерия

Само за акумулаторни батерии с индикатор

► **Фиг.2:** 1. Светлинни индикатори 2. Бутон за проверка

Натиснете бутон за проверка на акумулаторната батерия за показване на оставащия заряд на батерията. Светлинните индикатори ще светнат за няколко секунди.

Светлинни индикатори			Оставащ заряд на батерията
Свети	Изкл.	Мига	
■ ■ ■ ■			75% до 100%
■ ■ ■ □			50% до 75%
■ ■ □ □			25% до 50%
■ □ □ □			0% до 25%
▬ □ □ □			Заредете батерията.
■ ■ □ □			Батерията може да не работи правилно.
□ □ ■ ■	↑ ↓		

ЗАБЕЛЕЖКА: В зависимост от условията на употреба и околната температура е възможно показанията леко да се различават от действителния капацитет.

ЗАБЕЛЕЖКА: Първият (краен ляв) светлинен индикатор ще мига, когато системата за защита на батерията функционира.

Система за защита на инструмента / акумулаторната батерия

Инструментът е оборудван със система за защита на инструмента/акумулаторната батерия. Тази система автоматично прекъсва захранването към електромотора, за да осигури по-дълъг живот на инструмента и акумулаторната батерия. Инструментът ще спре автоматично по време на работа, ако инструментът или батерията се намират в едно от следните условия:

Защита срещу претоварване

Когато инструментът/акумулаторната батерия се използва по начин, който води до необичайно висока консумация на ток, инструментът спира автоматично. В този случай изключете инструмента и преустановете приложението, което претоварва инструмента. След това включете инструмента за повторно стартиране.

Защита срещу прегряване

Ако инструментът/акумулаторната батерия прегреят, той автоматично спира и лампата започва да мига. В този случай оставете инструмента да изстине, преди да го включите отново.

Защита срещу прекомерно разреждане

Когато капацитетът на акумулаторната батерия не е достатъчен, инструментът спира автоматично. В този случай извадете батерията от инструмента и я заредете.

Включване

⚠ ВНИМАНИЕ: Преди да поставите батерията в инструмента, винаги проверявайте дали пусковият прекъсвач работи нормално и се връща в положение "OFF" (ИЗКЛ.) при отпускането му.

► **Фиг.3:** 1. Пусков прекъсвач

За да стартирате инструмента, натиснете пусковия прекъсвач. Оборотите на инструмента се увеличават с увеличаване на натиска върху пусковия прекъсвач. За спиране освободете пусковия прекъсвач.

ЗАБЕЛЕЖКА: Инструментът ще спре автоматично, ако задържите пусковия прекъсвач около 6 минути.

Включване на предната лампичка

⚠ ВНИМАНИЕ: Не гледайте директно в светлинния източник.

► **Фиг.4:** 1. Лампа

Натиснете пусковия прекъсвач, за да включите лампата. Лампата свети, докато пусковият прекъсвач е натиснат. Лампата се самоизключва около 10 секунди след отпускане на пусковия прекъсвач.

ЗАБЕЛЕЖКА: Ако инструментът прегрее, той автоматично спира да работи и лампата започва да мига. В този случай отпуснете пусковия прекъсвач. Лампата се изключва след 1 минута(и).

ЗАБЕЛЕЖКА: Използвайте суха кърпа, за да изчистите полепналата по лупата на лампата мръсотия. Внимавайте да не надраскате лупата на лампата, тъй като това ще влоши осветяването.

Действие на превключвателя за промяна на посоката

⚠ ВНИМАНИЕ: Винаги проверявайте посоката на въртене преди работа.

⚠ ВНИМАНИЕ: Използвайте превключвателя за промяна на посоката на въртене само когато инструментът е напълно спрял. Промяна на посоката на въртене преди спиране на инструмента може да го повреди.

⚠ ВНИМАНИЕ: Когато инструментът не се използва, винаги поставяйте превключвателя на посоката на въртене в неутрално положение.

Инструментът е снабден с превключвател за промяна на посоката на въртене. Натиснете превключвателя на посоката на въртене от положение А за въртене по посока на часовниковата стрелка към положение В за посока обратна на часовниковата стрелка.

Когато превключвателят на посоката на въртене е в неутрално положение, лостът на прекъсвача не може да се издърпа.

► **Фиг.5:** 1. Превключвател на посоката на въртене

Промяна на скоростта на въртене

БЕЛЕЖКА: Използвайте ключа за промяна на скоростта на въртене само когато инструментът е напълно спрял. Промяна на скоростта на инструмента преди спиране на инструмента може да го повреди.

БЕЛЕЖКА: Винаги поставяйте ключа за промяна на скоростта на въртене докрай в правилното положение. Ако експлоатирате инструмента, когато ключът за промяна на скоростта на въртене е поставен по средата между позиция 1 и позиция 2, това може да повреди инструмента.

БЕЛЕЖКА: Ако скоростта на въртене значително се понижи по време на работа в режим с висока скорост, спрете инструмента и сменете режима на режим с ниска скорост. В противен случай двигателят може да се претовари и да предизвика неизправност или пожар.

С ключа за промяна на скоростта на въртене могат да бъдат предварително избрани два диапазона на скорост. За да промените скоростта, завъртете ключа за промяна на скоростта на въртене така, че показалецът да сочи позиция 1 за режим на ниска скорост или позиция 2 за режим на висока скорост.

► **Фиг.6:** 1. Показалец 2. Ключ за промяна на скоростта на въртене

Електронна функция

Електрическа спирачка

Този инструмент е оборудван с електрическа спирачка. Ако инструментът неколкократно не успява бързо да спре работа след освобождаване на пусковия прекъсвач, занесете инструмента за извършване на техническо обслужване в сервизен център на Makita.

Функция за плавно пускане

Тази функция осигурява плавно пускане на инструмента чрез ограничаване на пусковия въртящ момент.

СГЛОБЯВАНЕ

⚠ ВНИМАНИЕ: Преди да извършите никакви дейности по инструмента, задължително проверете дали той е изключен и акумулаторната батерия е извадена.

Монтиране на страничната ръкохватка (допълнителна ръкохватка)

⚠ ВНИМАНИЕ: Преди да започнете работа проверете дали страничната ръкохватка е закрепена здраво.

Завийте здраво страничната ръкохватка към инструмента. Страничната ръкохватка може да се монтира от двете страни на инструмента, която е по-удобна за потребителя.

► **Фиг.7:** 1. Странична дръжка

Монтиране на държач за ключа

(Зависи от държавата)

⚠ВНИМАНИЕ: Преди да започнете работа, винаги проверявайте дали държачът за ключа е монтиран стабилно.

Завийте здраво държача за ключа към инструмента. След това поставете ключа на патронника в съответната позиция.

► **Фиг.8:** 1. Държач за ключа 2. Винт 3. Ключ на патронника

Монтаж или демонтаж на свредлото

За да монтирате свредлото, го вкарайте в патронника възможно най-навътре. Затегнете патронника на ръка. Поставете ключа на патронника във всеки от трите отвора и затегнете по посока на часовниковата стрелка. Непременно затегнете и трите отвора за патронника еднакво.

За да извадите свредлото, завъртете ключа на патронника обратно на часовниковата стрелка само в един от отворите, след което разхлабете патронника на ръка.

► **Фиг.9:** 1. Ключ на патронника

След употреба върнете ключа на патронника в държача за ключа на инструмента, както е показано на фигурата.

► **Фиг.10:** 1. Държач за ключа

Кука

⚠ВНИМАНИЕ: Винаги изваждайте акумулаторната батерия, когато окачвате инструмента с куката.

⚠ВНИМАНИЕ: Никога не окачвайте инструмента нависоко или на повърхност, която може да е нестабилна.

Куката може да се използва за Ваше удобство за временно закачане на инструмента.

За да използвате куката, просто повдигнете куката, докато не щракне в отворено положение. Когато не се използва, винаги прибирайте куката, докато щракне в избрано положение.

► **Фиг.11:** 1. Кука

► **Фиг.12**

Закрепване на ремъка (колана) към куката

⚠ВНИМАНИЕ: Не използвайте повредена кука и винтове. Преди употреба винаги проверявайте за повреди, пукнатини или деформации и дали винтовете са затегнати.

⚠ВНИМАНИЕ: Уверете се, че куката е здраво закрепена с винтовете.

⚠ВНИМАНИЕ: Не монтирайте и не демонтирайте никакви аксесоари, докато окачвате инструмента. Инструментът може да падне, ако винтовете не са затегнати.

⚠ВНИМАНИЕ: Винаги използвайте заключващ карабинер (с многостъпково отваряне и винтов) и се уверете, че сте закрепили ремъка (колана) към двойната част на куката. Неправилното закрепване може да причини падане на инструмента от куката и да доведе до нараняване.

Куката се използва за закрепване на ремъка (колана). Уверете се, че свързвате ремъка (колана) към двойната част на куката.

► **Фиг.13:** 1. Двойна част на куката 2. Ремък (колан) 3. Заклучващ карабинер (с многостъпково отваряне и винтов)

Експлоатация

⚠ВНИМАНИЕ: Винаги поставяйте акумулаторната батерия, докато се фиксира на място. В случай че виждате червения индикатор в горната част на бутона, това означава, че тя не е фиксирана напълно на мястото си. Приплъзнете го докрай, докато червеният индикатор се скрие. В противен случай тя може неволно да изпадне от инструмента, което може да нарани вас или някого около вас.

⚠ВНИМАНИЕ: При рязко спадане на оборотите, намалете натоварването или спрете инструмента, за да не го повредите.

⚠ВНИМАНИЕ: По време на работа дръжте инструмента здраво.

Захват на инструмента

⚠ВНИМАНИЕ: Това е мощен инструмент. Развива се голям въртящ момент и е важно инструментът да се държи здраво и да е осигурена правилно допълнителна опора.

Хванете ръкохватката с една ръка, а предната – с другата ръка.

► **Фиг.14:** 1. Предна ръкохватка 2. Ръкохватка

Пробиване в дърво

Когато пробивате в дърво, най-добри резултати се получават със свредла за пробиване на дърво, снабдени с водещ винт. Той улеснява пробиването като издърпва свредлото в обработвания детайл.

Пробиване в метал

За да избегнете отклоняване на свредлото, когато започвате да пробивате отвор, направете вдлъбнатина с пробой и чук в точката на пробиване. Поставете върха на свредлото във вдлъбнатината и започнете да пробивате.

При пробиване на метали използвайте смазка за рязане. Изключения са чугунът и бронзът, които трябва да се пробиват на сухо.

⚠ВНИМАНИЕ: Прекомерно силен натиск върху инструмента няма да ускори пробиването. Всъщност този излишен натиск само може да доведе до повреда на върха на свредлото, да намали ефективността на инструмента и да съкрати срока за експлоатация на инструмента.

⚠ВНИМАНИЕ: Дръжте инструмента здраво и работете с внимание, когато свредлото започне да прониква през обработвания детайл. В момента на разпробиване на отвор възниква огромна сила, упражнявана върху инструмента/свредлото.

⚠ВНИМАНИЕ: Блокирано свредло може да се извади лесно, като превключателят на посоката на въртене се настрои за обратно въртене, за да се извади. Въпреки това инструментът може рязко да завърти обратно, ако не го държите здраво.

⚠ВНИМАНИЕ: Малките обработвани детайли трябва винаги да се закрепват в менгеме или подобно задържащо устройство.

⚠ВНИМАНИЕ: Избягвайте пробиване в материал, в който очаквате да има скрити гвоздеи или други предмети, които може да доведат до задиране или счупване на свредлото.

⚠ВНИМАНИЕ: Ако инструментът е бил използван без прекъсване до разреждане на акумулаторната батерия, оставете го в покой за 15 минути, преди да продължите работата с нова заредена батерия.

⚠Предупреждения за безопасност, специфични за работа на височина

Прочетете всички предупреждения за безопасност и инструкции. Неспазването на предупрежденията и инструкциите може да доведе до тежко нараняване.

1. **Винаги инструментът трябва да е вързан, когато се работи „на височина“.** Максималната дължина на ремъка е 2 м (6,5 фута). Максималната допустима височина на падане за ремък (колан) не трябва да превишава 2 м (6,5 фута).
2. Използвайте само с ремъци, подходящи за този тип инструмент и изчислени за поне 5,0 кг (11,0 паунда).
3. Не прикрепвайте ремъка на инструмента към нищо по тялото си или към движещи се компоненти. Прикрепете ремъка на инструмента към здрава конструкция, която може да издържи силата на падащ инструмент.
4. Преди употреба се уверете, че ремъкът е закрепен правилно във всеки край.
5. Преди всяка употреба проверявайте инструмента и ремъка (включително тъканта и шевовете) за повреди и правилно функциониране. Не използвайте при повреда или при неправилно функциониране.
6. Не увивайте ремъците около остри или грапави ръбове и не допускайте да влизат в контакт с тях.
7. Закрепете другия край на ремъка извън работната зона така, че при евентуално падане инструментът да се задържа здраво.
8. Прикрепете ремъка така, че ако инструментът падне, да се отдалечи от оператора. Изпадналият инструмент ще се люлее на ремъка, което може да причини наранявания или загуба на равновесие.
9. Не използвайте в близост до движещи се части или работещи машини. В противен случай може да възникне опасност от смачкване или заплитане.
10. Не носете инструмента, като го държите за приставката или ремъка.
11. Прехвърляйте инструмента от едната си ръка в другата само когато сте правилно балансирани.
12. Не прикрепвайте ремъците към инструмента по начин, който възпрепятства надеждната работа на предпазители, превключватели/прекъсвачи или блокировки.
13. Избягвайте заплитане в ремъка.
14. Дръжте ремъка далеч от зоната на рязане на инструмента.
15. Използвайте карабинери с многостъпково отваряне и винтови карабинери. Не използвайте самозатварящи се с пружинна скоба карабинери.
16. В случай че инструментът падне, той трябва да бъде обозначен и изведен от експлоатация, и трябва да бъде проверен от фабрика на Makita или от упълномощен сервизен център.

ПОДДРЪЖКА

⚠ ВНИМАНИЕ: Преди да проверявате или извършвате поддръжка на инструмента, се уверете, че той е изключен и акумулаторната батерия е извадена.

БЕЛЕЖКА: Не използвайте бензин, нафта, разреждател, спирт и др. подобни. Това може да причини обезцветяване, деформация или пукнатини.

За да се поддържа БЕЗОПАСНОСТТА и НАДЕЖНОСТТА на продукта, ремонтите, поддръжката или регулирането трябва да се извършват от упълномощен сервиз или фабрични сервизни центрове на Makita, като винаги трябва да използвате резервни части от Makita.

ДОПЪЛНИТЕЛНИ АКСЕСОАРИ

⚠ ВНИМАНИЕ: Препоръчва се използването на тези аксесоари или крайници с вашия инструмент Makita, описан в настоящото ръководство. Използването на други аксесоари или крайници може да доведе до опасност от телесни повреди. Използвайте съответния аксесоар или крайник само по предназначение.

Ако имате нужда от помощ за повече подробности относно тези аксесоари, се обърнете към местния сервизен център на Makita.

- Свредла
- Оригинална акумулаторна батерия и зарядно устройство на Makita

ЗАБЕЛЕЖКА: Някои артикули от списъка може да са включени в комплекта на инструмента, като стандартни аксесоари. Те може да са различни в различните държави.

SPECIFIKACIJE

Model:		DDA450	
Brzina prijenosa		Visoko	Nisko
Kapaciteti bušenja	Čelik	13 mm	
	Drvo	Svrđlo: 38 mm Pužni nastavak: 50 mm Pila s rupom: 101 mm	Svrđlo: 38 mm Pužni nastavak: 65 mm Pila s rupom: 127 mm
Brzina bez opterećenja		0 – 1.400 min ⁻¹	0 – 450 min ⁻¹
Ukupna dužina (s baterijskim uloškom BL1860B)		434 mm	
Nazivni napon		DC 18 V	
Neto težina		3,2 – 3,5 kg	

- Zahvaljujući našem stalnom programu razvoja i istraživanja, navedene specifikacije podložne su promjenama bez obavijesti.
- Specifikacije mogu biti različite ovisno o zemlji.
- Težina se može razlikovati ovisno o opremi, uključujući baterijski uložak. Najlakša i najteža kombinacija, sukladno postupku EPTA 01/2014, prikazane su u nastavku.

Odgovarajući baterijski uložak i punjač

Baterija	BL1815N / BL1820B / BL1830B / BL1840B / BL1850B / BL1860B
Punjač	DC18RC / DC18RD / DC18RE / DC18SD / DC18SE / DC18SF / DC18SH

- Neki od navedenih baterijskih uložaka i punjača možda neće biti dostupni ovisno o regiji u kojoj se nalazite.

⚠ UPOZORENJE: Upotrebite samo navedene baterijske uloške i punjače. Upotreba bilo koje druge vrste baterijskih uložaka i punjača može prouzročiti ozljede i/ili požar.

Namjena

Alat je namijenjen za bušenje drva, metala i plastike.

Buka

Tipična jačina buke označena s A, određena sukladno EN62841-2-1:
 Razina tlaka zvuka (L_{pA}): 83 dB (A)
 Razina snage zvuka (L_{WA}): 94 dB (A)
 Neodređenost (K): 3 dB (A)

NAPOMENA: Deklarirana vrijednost emisije buke izmjerena je prema standardnoj metodi testiranja i može se rabiti za usporedbu jednog alata s drugim.

NAPOMENA: Deklarirana vrijednost emisije buke također se može rabiti za preliminarnu procjenu izloženosti.

⚠ UPOZORENJE: Nosite zaštitu za uši.

⚠ UPOZORENJE: Emisija buke tijekom stvarnog korištenja električnog ručnog alata se može razlikovati od deklariranih vrijednosti emisije, ovisno o načinu na koji se alat rabi, posebice ovisno o tome kakav se izradak izrađuje.

⚠ UPOZORENJE: Nemojte zaboraviti da identificirate sigurnosne mjere zaštite rukovatelja koje se temelje na procjeni izloženosti u stvarnim uvjetima korištenja (uzimajući u obzir sve dijelove radnog ciklusa, poput vremena kada je alat isključen i kada on radi u praznom hodu, a također i vrijeme okidanja).

Vibracija

Ukupna vrijednost vibracija (troosni vektorski zbir) izračunata u skladu s EN62841-2-1:

Način rada: bušenje metala
 Emisija vibracija ($a_{h,D}$): 2,5 m/s² ili manje
 Neodređenost (K): 1,5 m/s²

NAPOMENA: Deklarirana vrijednost ukupnih vibracija izmjerena je prema standardnoj metodi testiranja i može se rabiti za usporedbu jednog alata s drugim.

NAPOMENA: Deklarirana vrijednost ukupnih vibracija također se može rabiti za preliminarnu procjenu izloženosti.

⚠ UPOZORENJE: Emisija vibracija tijekom stvarnog korištenja električnog ručnog alata se može razlikovati od deklariranih vrijednosti emisije, ovisno o načinu na koji se alat rabi, posebice ovisno o tome kakav se izradak izrađuje.

⚠ UPOZORENJE: Nemojte zaboraviti da identificirate sigurnosne mjere zaštite rukovatelja koje se temelje na procjeni izloženosti u stvarnim uvjetima korištenja (uzimajući u obzir sve dijelove radnog ciklusa, poput vremena kada je alat isključen i kada on radi u praznom hodu, a također i vrijeme okidanja).

Izjava o sukladnosti EZ

Samo za države članice Europske unije

Izjava o sukladnosti EZ u privitku je Priloga A ovih uputa za upotrebu.

SIGURNOSNA UPOZORENJA

Opća sigurnosna upozorenja za električne ručne alate

⚠ UPOZORENJE: Pročitajte sva sigurnosna upozorenja, upute, ilustracije i specifikacije priložene uz ovaj električni ručni alat. Nepridržavanje svih uputa navedenih u nastavku može rezultirati strujnim udarom, požarom i/ili ozbiljnim ozljedama.

Sačuvajte sva upozorenja i upute radi kasnijeg korištenja.

Pojam „električni alat“ u upozorenjima odnosi se na električni (kabelski) alat uključen u struju ili na bežične električne alate (na baterije).

Sigurnosna upozorenja za bežičnu bušilicu

Sigurnosne upute za sve radnje

1. **Koristite pomoćne ručke.** Gubitak kontrole može uzrokovati ozljede.
2. **Držite električni alat za izolirane rukohvatne površine** kad izvodite radnju pri kojoj rezni dodatak može doći u dodir sa skrivenim vodičima. Rezni dodatak koji dođe u doticaj s vodičem pod naponom može dovesti pod napon izložene metalne dijelove električnog alata i rukovatelj može pretrpjeti strujni udar.
3. **Uvijek stojte na čvrstom uporištu.** Pazite da nitko ne stoji ispod vas kad koristite uređaj na visini.
4. **Čvrsto držite alat.**
5. **Držite ruke podalje od dijelova koji se okreću.**
6. **Ne ostavljajte alat da radi.** Alatom radite isključivo držeći ga u ruci.
7. **Ne dodirujte nastavak bušilice odmah nakon rada;** može biti izuzetno vruć i mogao bi vam opeći kožu.
8. **Neki materijal sadrži kemikalije koje mogu biti toksične.** Poduzmite potrebne mjere opreza da biste spriječili udisanje prašine i dodir s kožom. Pročitajte sigurnosno-tehnički list dobavljača materijala.
9. **Ako nastavak za bušenje ne možete otpustiti čak ni kad otvorite čeljust, izvucite ga kliješćima.** U tom slučaju, izvlačenje nastavka za bušenje rukom može rezultirati ozljedama zbog oštrog ruba.
10. **Ako se prilikom rad javi neka neispravnost, primjerce neuobičajen zvuk, odmah prekinite rad i obratite se lokalnom servisnom centru tvrtke Makita radi popravka.**
11. **Prije rada provjerite da u tlu nema ukopanih objekata kao što su električne, vodovodne ili plinske instalacije.** U protivnom, alat bi ih mogao dodirnuti i time izazvati strujni udar, curenje vode ili curenje plina.

Sigurnosne upute pri upotrebi dugačkih nastavaka za bušenje

1. **Ne upravljajte nastavcima za bušenje pri brzini koja je veća od maksimalne brzine rada.** Ako se može slobodno okretati bez kontakta s izratkom, nastavak se pri većim brzinama može saviti, što će rezultirati ozljedama.
2. **Uvijek počnite bušiti na manjoj brzini tako da je vrh nastavka u kontaktu s izratkom.** Ako se može slobodno okretati bez kontakta s izratkom, nastavak se pri većim brzinama može saviti, što će rezultirati ozljedama.
3. **Primijenite pritisak samo na putanji nastavka i nemojte primjenjivati dodatni pritisak.** Nastavci se mogu saviti, što može dovesti do pucanja ili gubitka kontrole i rezultirati ozljedama.

ČUVAJTE OVE UPUTE.

⚠ UPOZORENJE: NEMOJTE dozvoliti da udobnost ili znanje o proizvodu (stečeno stalnim korištenjem) zamijene strogo pridržavanje sigurnosnih propisa za određeni proizvod. ZLOUPORABA ili nepridržavanje sigurnosnih propisa navedenih u ovom priručniku s uputama mogu prouzročiti ozbiljne ozljede.

Važne sigurnosne upute za bateriju

1. **Prije uporabe baterije pročitajte sve upute i oznake upozorenja na (1) punjaču za baterije, (2) bateriji i (3) proizvodu koji koristi bateriju.**
2. **Nemojte rastavljati ili izmjenjivati baterijski uložak.** To može dovesti do požara, pretjeranog zagrijavanja ili eksplozije.
3. **Ako se vrijeme rada znatno skratilo, odmah prestanite raditi.** Može doći do pregrijavanja, mogućih opekline pa čak i eksplozije.
4. **Ako vam elektrolit dospije u oči, isperite ih čistom vodom i odmah se obratite liječniku.** Tako možete izgubiti vid.
5. **Nemojte kratko spajati bateriju:**
 - (1) **Ne dovodite terminale u kontakt s provodljivim materijalima.**
 - (2) **Ne čuvajte bateriju u spremniku s drugim metalnim predmetima poput čavala, kovanica itd.**
 - (3) **Ne izlažite bateriju vodi ili kiši.** Kratki spoj baterije može uzrokovati velik protok struje, pregrijavanje, moguće opekline pa čak i kvar.
6. **Ne držite i ne upotrebljavajte alat i baterijski uložak na mjestima gdje temperatura može premašiti 50 °C (122 °F).**
7. **Ne spaljujte bateriju čak ni ako je ozbiljno oštećena ili potpuno istrošena.** Baterija može eksplodirati u vatri.
8. **Nemojte zabijati čavle u baterijski uložak, rezati ga, gnječiti, bacati ili udarati tvrdim predmetom.** Ti postupci mogu dovesti do požara, pretjeranog zagrijavanja ili eksplozije.
9. **Ne koristite oštećene baterije.**

10. **Sadržane litij-ionske baterije podliježu odredbama zakonskih propisa o opasnim tvarima.** Kada se radi o komercijalnom transportu koji obavlja npr. dobavljači ili špediteri, moraju se poštovati posebni zahtjevi na pakiranju i oznakama. Prilikom pripreme isporuke takve stavke potražite savjet stručnjaka za opasne tvari. Pogledajte i moguće podrobnije nacionalne propise. Prekrijte trakom ili zaštitite otvorene kontakte i bateriju zapakirajte tako da se ne može pomicati u pakiranju.
11. **Kada odlažete baterijski uložak u otpad, uklonite ga iz alata i zbrinite na sigurnom mjestu. Pridržavajte se lokalnih zakonskih propisa za zbrinjavanje baterija.**
12. **Upotrebljavajte baterije samo s proizvodima koje je odobrila tvrtka Makita.** Umetanje baterija u neprimkladne proizvode može dovesti do požara, prekomjerne topline, eksplozije ili curenja elektrolita.
13. **Ako se alat ne upotrebljava dulje vrijeme, bateriju morate ukloniti iz alata.**
14. **Tijekom i nakon upotrebe baterijski uložak može se zagrijati i prouzročiti opekline višeg ili nižeg stupnja. Pažljivo rukujte vrućim baterijskim ulošcima.**
15. **Nemojte dirati priključak alata neposredno nakon upotrebe jer se može zagrijati toliko da prouzroči opekline.**
16. **Ne dopustite da krhotine, prašina ili zemlja zapnu u priključcima, otvorima i urezima baterijskog uloška.** To može dovesti do neispravnog rada ili kvara alata ili baterijskog uloška.
17. **Ako alat ne podržava upotrebu u blizini visokonaponskih električnih vodova, nemojte upotrebljavati baterijski uložak u blizini a visokonaponskih električnih vodova.** To može dovesti do neispravnog rada ili kvara alata ili baterijskog uloška.
18. **Bateriju čuvajte podalje od djece.**

ČUVAJTE OVE UPUTE.

⚠OPREZ: Uvijek upotrebljavajte originalne baterije Makita. Upotreba baterija koje nisu originalne baterije Makita ili su izmijenjene može dovesti do rasprskavanja baterije i uzrokovati požar, tjelesnu ozljedu ili štetu. To će također poništiti jamstvo tvrtke Makita za alat i punjač Makita.

Savjeti za održavanje najduljeg vijeka trajanja baterije

1. **Napunite bateriju prije nego što se potpuno isprazni. Uvijek zaustavite alat i napunite bateriju kad primijetite da alat slabije radi.**
2. **Nikad ne punite već do kraja napunjenu bateriju. Pretjerano punjenje skraćuje radni vijek baterije.**
3. **Bateriju punite na sobnoj temperaturi između 10 °C i 40 °C. Vruću bateriju prije punjenja ostavite da se ohladi.**
4. **Kada ne upotrebljavate baterijski uložak, uklonite ga iz alata ili punjača.**
5. **Napunite bateriju ako je ne mislite koristiti duže vrijeme (duže od 6 mjeseci).**

FUNKCIONALNI OPIS

⚠OPREZ: Prije podešavanja ili provjere rada alata obavezno provjerite je li stroj isključen i baterija uklonjena.

Umetanje ili uklanjanje baterije

⚠OPREZ: Uvijek isključite alat prije umetanja ili uklanjanja baterije.

⚠OPREZ: Čvrsto držite alat i bateriju pri umetanju ili uklanjanju baterije. Ako alat i bateriju ne držite čvrsto, mogli bi vam iskliznuti iz ruku te oštetiti alat i bateriju ili uzrokovati osobnu ozljedu.

► **Sl.1:** 1. Crvena oznaka 2. Gumb 3. Baterija

Za uklanjanje bateriju gurnite van iz alata pritiskom gumba na prednjoj strani uloška.

Za umetanje baterijskog uloška poravnajte jezičac na baterijskom ulošku s otvorom na kućištu i gurnite ga na mjesto. Umetnite baterijski uložak do kraja dok ne sjedne na svoje mjesto uz mali klik. Ako možete vidjeti crvenu oznaku na gornjoj strani gumba, baterijski uložak nije do kraja sjeo na svoje mjesto.

⚠OPREZ: Uvijek umetnite baterijski uložak do kraja tako da ne možete vidjeti crvenu oznaku. U suprotnom može slučajno ispasti iz alata, što može dovesti do ozljede vas ili nekog u blizini.






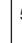

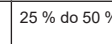

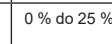

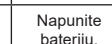




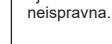
⚠OPREZ: Ne umećite bateriju silom. Ako baterija ne klizne lagano, znači da nije ispravno umetnuta.

Prikaz preostalog kapaciteta baterije

Samo za baterijske uloške s indikatorom

► **Sl.2:** 1. Žaruljice indikatora 2. Gumb za provjeru

Pritisnite gumb za provjeru na bateriji kako biste provjerili preostali kapacitet baterije. Žaruljica indikatora zasvijetliće na nekoliko sekundi.

Žaruljice indikatora			Preostali kapacitet
 Svijetli	 Isključeno	 Treperi	
			75 % do 100 %
			50 % do 75 %
			25 % do 50 %
			0 % do 25 %
			Napunite bateriju.
			Baterija je možda neispravna.
			

NAPOMENA: Ovisno o uvjetima upotrebe i temperaturi okoline, prikaz indikatora može se donekle razlikovati od stvarnog kapaciteta.

NAPOMENA: Prva (krajnja lijeva) žaruljica indikatora treperit će dok radi sustav za zaštitu baterije.

Sustav zaštite alata/baterije

Ovaj alat sadrži sustav zaštite alata/baterije. Sustav automatski prekida napajanje motora da bi produžio vijek trajanja alata i baterije. Alat automatski prestaje raditi ako se alat ili baterija nađu u nekom od sljedećih uvjeta:

Zaštita od preopterećenja

Ako se alatom/baterijom rukuje na način koji dovodi do neuobičajeno velike potrošnje struje, alat se automatski zaustavlja. U tom slučaju isključite alat i prekinite radnje koje su izazvale njegovo preopterećenje. Zatim uključite alat kako biste ga pokrenuli.

Zaštita od pregrijavanja

U slučaju pregrijavanja alata/baterije alat se automatski zaustavlja i žaruljica počinje treperiti. U tom slučaju pričekajte da se alat ohladi prije nego što ga ponovno uključite.

Zaštita od prekomjernog pražnjenja

Ako kapacitet baterije nije dovoljan, alat se automatski zaustavlja. U tom slučaju izvadite baterijski uložak iz alata i napunite ga.

Uključivanje i isključivanje

OPREZ: Prije umetanja baterije u alat provjerite radi li uključno/isključna sklopka i vraća li se u položaj za isključivanje „OFF” nakon otpuštanja.

► **SI.3:** 1. Uključno/isključna sklopka

Da biste pokrenuli alat, povucite uključno/isključnu sklopku. Brzina alata povećava se povećanjem pritiska na uključno/isključnu sklopku. Otpustite uključno/isključnu sklopku da biste ga zaustavili.

NAPOMENA: Alat se automatski zaustavlja ako povlačite uključno/isključnu sklopku oko 6 minuta.

Uključuje se prednja žaruljica

OPREZ: Nemojte izravno gledati u svjetlo ili izvor svjetlosti.

► **SI.4:** 1. Žaruljica

Povucite uključno/isključnu sklopku da bi se uključila žaruljica. Žaruljica ostaje uključena dok god se povlači uključno/isključna sklopka. Žaruljica se isključuje otprilike 10 sekundi nakon otpuštanja uključno/isključne sklopke.

NAPOMENA: U slučaju pregrijavanja alat se automatski zaustavlja i žaruljica počinje treperiti. U tom slučaju otpustite uključno/isključnu sklopku. Žaruljica se isključuje nakon 1 min.

NAPOMENA: Suhom krpom obrišite prljavštinu s leće žaruljice. Budite oprezni da ne zagrebete leću žaruljice jer to može smanjiti osvijetljenje.

Rad prekidača za promjenu smjera

OPREZ: Uvijek provjerite smjer vrtnje prije rada.

OPREZ: Koristite prekidač za promjenu smjera tek kad se alat do kraja zaustavi. Promjena smjera vrtnje prije zaustavljanja može oštetiti alat.

OPREZ: Kad alat ne radi, uvijek postavite ručicu prekidača za promjenu smjera vrtnje u neutralan položaj.

Ovaj alat ima prekidač za promjenu smjera vrtnje. Otpustite prekidač za promjenu smjera iz strane A za zakretanje u smjeru kazaljke na satu ili iz strane B u smjeru suprotnom kazaljci na satu. Kad je prekidač za promjenu smjera vrtnje u neutralnom položaju, povlačenje ručice prekidača nije moguće.

► **SI.5:** 1. Ručica prekidača za promjenu smjera

Promjena brzine

NAPOMENA: Koristite kotačić za promjenu brzine tek kad dođe do potpunog zastoja alata. Promjena brzine prije zaustavljanja alata može oštetiti alat.

NAPOMENA: Uvijek pažljivo postavite kotačić za promjenu brzine u točan položaj. Ako radite s alatom dok je kotačić za promjenu brzine postavljen na pola puta između položaja 1 i 2, alat se može oštetiti.

NAPOMENA: Ako se brzina okretanja znatno smanji tijekom rada u načinu rada s velikim brojem okretaja, zaustavite alat i promijenite način rada u načinu rada s malim brojem okretaja. U suprotnom može doći do preopterećenja motora te time do kvara ili požara.

Dva raspona brzine mogu se unaprijed odabrati kotačićem za promjenu brzine.

Kako biste promijenili brzinu, okrenite kotačić za promjenu brzine tako da pokazuje pokazuje na položaj 1 za način rada s manjom brzinom ili položaj 2 za način rada s većom brzinom.

► **SI.6:** 1. Pokazivač 2. Kotačić za promjenu brzine

Elektroničke funkcije

Električna kočnica

Ovaj alat opremljen je električnom kočnicom. Ako alat opetovano ne uspijeva brzo prekinuti rad nakon otpuštanja uključno/isključne sklopke, odnesite alat u servisni centar Makita.

Značajka mekog pokretanja (soft-start)

Ova funkcija omogućuje glatko pokretanje alata tako da ograničava pokretni moment.

MONTAŽA

⚠ OPREZ: Prije izvođenja bilo kakve radnje na alatu obavezno provjerite je li stroj isključen i baterija uklonjena.

Instalacija bočne ručke (pomoćna ručka)

⚠ OPREZ: Prije rada uvijek provjerite je li bočni rukohvat sigurno postavljen.

Čvrsto zavrnite bočni rukohvat na alatu. Bočni se rukohvat može postaviti s bilo koje strane alata, ovisno o tome koja je prikladnija.

► **Sl.7:** 1. Bočna ručka

Postavljanje držača ključeva

(Ovisno o državi)

⚠ OPREZ: Prije rada uvijek provjerite je li držač ključeva sigurno postavljen.

Čvrsto zavrnite držač ključeva na alatu. Zatim postavite u položaj ključ za brzosteznu glavu.

► **Sl.8:** 1. Držač ključeva 2. Vijak 3. Ključ za brzosteznu glavu

Postavljanje ili uklanjanje nastavka za bušenje

Postavite nastavak za bušenje što dublje u brzosteznu glavu. Rukom zategnite brzosteznu glavu. Postavite ključ za brzosteznu glavu u svaku od tri rupe i zategnite u smjeru kazaljke na satu. Obavezno ravnomjerno zategnite sve tri rupe glave.

Nastavak za bušenje uklonite tako da okrenete ključ za brzosteznu glavu u jednoj rupi u smjeru suprotnom od smjera kazaljke na satu i ručno otpustite glavu.

► **Sl.9:** 1. Ključ za brzosteznu glavu

Nakon upotrebe vratite ključ za brzosteznu glavu u držač ključeva na alatu, kao što je prikazano.

► **Sl.10:** 1. Držač ključeva

Kuka

⚠ OPREZ: Prilikom vješanja alata o kuku uvijek izvadite bateriju.

⚠ OPREZ: Nikad ne vješajte alat na povišenom mjestu ili potencijalno nestabilnoj površini.

Kuka služi za privremeno vješanje alata.

Da biste koristili kuku, jednostavno podignite kuku dok ne škljocne u otvorenom položaju. Kada se ne koristi, uvijek spustite kuku dok ne škljocne u zatvoreni položaj.

► **Sl.11:** 1. Kuka

► **Sl.12**

Spajanje uzice (sigurnosne uzice) na kuku

⚠ OPREZ: Nemojte upotrebljavati oštećenu kuku i vijke. Prije upotrebe uvijek provjerite postoje li oštećenja, pukotine ili iskrivljenja i provjerite jesu li vijci zategnuti.

⚠ OPREZ: Provjerite je li kuka sigurno postavljena s vijcima.

⚠ OPREZ: Nemojte postavljati ili uklanjati dodatni pribor dok vješate alat. Alat može pasti ako vijci nisu zategnuti.

⚠ OPREZ: Uvijek upotrijebite karabiner sa zaključavanjem (višestupanjski i s vijčanim otvorom) i provjerite jeste li uzicu (sigurnosnu uzicu) pričvrstili na dio kuke s dvostrukom petljom. Neispravno pričvršćivanje može dovesti do padanje alata s kuke i prouzročiti tjelesne ozljede.

Kuka se upotrebljava i za spajanje uzice (sigurnosna uzica). Uzicu (sigurnosna uzica) svakako spojite na dio kuke s dvostrukom petljom.

► **Sl.13:** 1. Dio kuke s dvostrukom petljom 2. Uzica (sigurnosna uzica) 3. Karabiner sa zaključavanjem (višestupanjski i s vijčanim otvorom)

RAD

⚠ OPREZ: Uvijek umetnite bateriju do kraja tako da sjedne na mjesto. Ako možete vidjeti crveni indikator na gornjoj strani gumba, baterija nije do kraja sjela na svoje mjesto. Umetnite je do kraja tako da crveni indikator više ne bude vidljiv. U protivnom može slučajno ispasti iz alata, što može uzrokovati ozljede vas ili nekog u blizini.

⚠ OPREZ: U slučaju značajnog smanjenja brzine smanjite opterećenje ili zaustavite alat da se ne bi oštetio.

⚠ OPREZ: Prilikom rada čvrsto držite alat.

Držanje alata

⚠ OPREZ: Riječ je o snažnom alatu. Razvija se velik okretni moment i važno je da alat čvrsto i pravilno držite.

Jednom rukom uhvatite ručku, a prednju ručku držite drugom rukom.

► **Sl.14:** 1. Prednja ručka 2. Ručka

Bušenje

Bušenje drva

Pri bušenju drva najbolji se rezultati ostvaruju svrdlima za drvo s vodećim vijkom. Vodeći vijak olakšava bušenje gurajući nastavak za bušenje u izradak.

Bušenje metala

Za sprječavanje klizanja nastavka za bušenje pri bušenju rupe napravite urez u središtu rupe za bušenje i udarite u točku u kojoj treba bušiti. Postavite vrh nastavka za bušenje u urez i počnite bušiti. Koristite mazivo za rezanje kad bušite metale. Izuzeci od ovog su željezo i bronca koje treba bušiti suhe.

⚠OPREZ: Jače pritiskanje alata neće ubrzati bušenje. Štoviše, dodatni će pritisak samo oštetiti vrh vašeg nastavka za bušenje, smanjiti performanse alata i skratiti njegov radni vijek.

⚠OPREZ: Čvrsto držite alat i obratite posebnu pozornost kad nastavak za bušenje počne prolaziti kroz izradak. Pri bušenju rupe na alat/nastavak za bušenje utječe velika sila.

⚠OPREZ: Nastavak za bušenje koji se zaglavi lako se može ukloniti postavljanjem prekidača u obrnuti smjer vrtnje da bi ga povukao van. No alat može naglo odskočiti unatrag ako ga ne držite čvrsto.

⚠OPREZ: Izratke uvijek držite u škripcu ili sličnom uređaju.

⚠OPREZ: Izbjegavajte bušenje u materijalu za koji sumnjate da ima skrivene čavle ili druge predmete koji izazvati savijanje ili pucanje nastavka za bušenje.

⚠OPREZ: Ako alat kontinuirano radi sve dok se baterijski uložak ne isprazni, ostavite alat da odstoji 15 minuta prije nastavka rada s novom baterijom.

Povezivanje uzicom (sigurnosna uzica)

⚠Sigurnosna upozorenja specifična za upotrebu na visini

Pročitajte sva sigurnosna upozorenja i upute.

Nepridržavanje upozorenja ili uputa može rezultirati ozbiljnim ozljedama.

1. Uvijek održavajte alat pričvršćenim prilikom rada na visini. Maksimalna duljina uzice iznosi 2 m (6,5 stopa). Maksimalna dopuštena visina pada uzice (sigurnosne uzice) ne smije prelaziti 2 m (6,5 stopa).
2. Koristite samo uzice prikladne za alat, s nazivnom težinom od najmanje 5,0 kg (11,0 lbs).
3. Nemojte pričvršćivati uzicu alata na bilo koji dio tijela ili na pokretne komponente. Pričvrstite uzicu alata na stabilnu strukturu koja može izdržati sile u slučaju pada alata.
4. Pazite da uzica bude ispravno osigurana na svaki kraj prije upotrebe.
5. Pregledajte postoje li oštećenja na alatu i uzici prije svake upotrebe te rade li ispravno (uključujući tkaninu i šavove). Nemojte koristiti u slučaju oštećenja ili neispravnog rada.
6. Nemojte motati uzicu oko alata i pazite da ne dođe u dodir s oštrim ili neravnim rubovima.

7. Pričvrstite drugi kraj uzice izvan radnog područja tako da alat bude dobro pričvršćen u slučaju pada.
8. Pričvrstite uzicu tako da alat u tom slučaju ne može pasti na rukovatelja. Ispušteni alat njihov će se na uzici, što može dovesti do ozljeđivanja ili gubitka ravnoteže.
9. Nemojte koristiti alat u blizini pokretnih dijelova ili radnih dijelova postrojenja. U protivnom može doći do opasnosti od loma ili zapetljanja.
10. Nemojte nositi alat držeći ga za pričvrсни uređaj ili uzicu.
11. Alat prenosite između ruku samo kad dok održavate odgovarajuću ravnotežu.
12. Nemojte pričvršćivati uzice na alat tako da ometaju rad štitnika, sklopki ili blokada.
13. Pazite da se ne zapetljate u uzicu.
14. Držite uzicu podalje od reznog područja alata.
15. Koristite višenamjenske karabine s navojem. Nemojte koristiti karabine s oprugom.
16. U slučaju ispuštanja alata, alat treba označiti i ukloniti iz upotrebe, a zatim poslati na pregled u tvornicu Makita ili ovlašteni servisni centar.

ODRŽAVANJE

⚠OPREZ: Prije svih zahvata na stroju provjerite jeste li isključili stroj i uklonili bateriju.

NAPOMENA: Nikada nemojte koristiti benzin, mješavinu benzina, razrjeđivač, alkohol ili slično. Kao rezultat toga može se izgubiti boja, pojaviti deformacija ili pukotine.

Da biste zadržali SIGURNOST I POUZDANOST proizvoda, održavanje ili namještanja trebali biste prepustiti ovlaštenim servisnim ili tvorničkim centrima tvrtke Makita; uvijek rabite originalne rezervne dijelove.

DODATNI PRIBOR

⚠OPREZ: Ovaj dodatni pribor ili priključci preporučuju se samo za upotrebu s alatom Makita navedenim u ovom priručniku. Upotreba bilo kojeg drugog dodatnog pribora ili priključaka može prouzročiti ozljede. Upotrebljavajte dodatni pribor ili priključak samo za njegovu navedenu svrhu.

Ako vam je potrebna pomoć za više detalja u pogledu ovih dodatnih pribora, obratite se najbližem Makita servisnom centru.

- Nastavci za bušenje
- Izvorna Makita baterija i punjač

NAPOMENA: Neke stavke iz popisa se mogu isporučiti zajedno sa strojem kao standardni dodatni pribori. Oni mogu biti različiti ovisno o zemlji.

СПЕЦИФИКАЦИИ

Модел:		DDA450	
Брзина на погонскиот запченик		Висока	Ниска
Капацитет на дупчење	Челик	13 мм	
	Дрво	Спирална бургија: 38 мм Бургија со самотуркање: 50 мм Кружна пила: 101 мм	Спирална бургија: 38 мм Бургија со самотуркање: 65 мм Кружна пила: 127 мм
Брзина без оптоварување		0 - 1.400 мин. ⁻¹	0 - 450 мин. ⁻¹
Вкупна должина (Со касета за батерија BL1860B)		434 мм	
Номинален напон		D.C. 18 V	
Нето тежина		3,2 - 3,5 кг	

- Поради нашата континуирана програма за истражување и развој, спецификациите тука подлежат на промена без најава.
- Спецификациите може да се разликуваат од држава до држава.
- Тежината може да се разликува во зависност од додатоците, вклучувајќи ја и касетата за батерија. Најлесната и најтешката комбинација, согласно процедурата на ЕПТА 01/2014 (Европската асоцијација за електрични алати), се прикажани во табелата.

Применлива касета за батерија и полнач

Касета за батерија	BL1815N / BL1820B / BL1830B / BL1840B / BL1850B / BL1860B
Полнач	DC18RC / DC18RD / DC18RE / DC18SD / DC18SE / DC18SF / DC18SH

- Некои од касетите за батерии и полначите наведени погоре може да не се достапни зависно од регионот во кој живеете.

▲ ПРЕДУПРЕДУВАЊЕ: Користете ги само касетите за батерии и полначите наведени погоре. Користењето какви било поинакви касети за батерии и полначи може да создаде ризик од повреда и/или пожар.

Наменета употреба

Алатот е наменет за дупчење во дрво, метал и пластика.

Бучава

Типична А-вредност за ниво на бучавата одредена во согласност со EN62841-2-1:
 Ниво на звучниот притисок (L_{pA}): 83 dB (A)
 Ниво на јачина на звукот (L_{WA}): 94 dB (A)
 Отстапување (K): 3 dB (A)

НАПОМЕНА: Номиналната вредност(и) за емисија на бучава е измерена во согласност со стандардни методи за испитување и може да се користи за споредување алати.

НАПОМЕНА: Номиналната вредност(и) за емисија на бучава може да се користи и како прелиминарна процена за изложеност.

▲ ПРЕДУПРЕДУВАЊЕ: Носете заштита за ушите.

▲ ПРЕДУПРЕДУВАЊЕ: Емисијата на бучава при фактичкото користење на алатот може да се разликува од номиналната вредност(и), зависно од начинот на којшто се користи алатот, особено од тоа како вид работен материјал се обработува.

▲ ПРЕДУПРЕДУВАЊЕ: Погрижете се да ги утврдите безбедносните мерки за заштита на лицето кое ракува со алатот врз основа на процена на изложеноста при фактичките услови на употреба (земајќи ги предвид сите делови на работниот циклус, како периодите кога електричниот алат е исклучен и кога работи во празен од, не само кога е активен).

Вибрации

Вкупна вредност на вибрациите (векторска сума на три оски) одредена во согласност со EN62841-2-1:
 Работен режим: дупчење во метал
 Ширење вибрации (a_{hD}): 2,5 м/с² или помалку
 Отстапување (K): 1,5 м/с²

НАПОМЕНА: Вкупната вредност(и) на номиналната јачина на вибрациите е измерена во согласност со стандардни методи за испитување и може да се користи за споредување алати.

НАПОМЕНА: Вкупната вредност(и) на номиналната јачина на вибрациите може да се користи и како прелиминарна процена за изложеност.

▲ ПРЕДУПРЕДУВАЊЕ: Јачината на вибрациите при фактичкото користење на алатот може да се разликува од номиналната вредност(и), зависно од начинот на којшто се користи алатот, особено од тоа како вид работен материјал се обработува.

▲ ПРЕДУПРЕДУВАЊЕ: Погрижете се да ги утврдите безбедносните мерки за заштита на лицето кое ракува со алатот врз основа на процена на изложеноста при фактичките услови на употреба (земајќи ги предвид сите делови на работниот циклус, како периодите кога електричниот алат е исклучен и кога работи во празен од, не само кога е активен).

Декларација за сообразност од ЕУ

Само за земјите во Европа

Декларацијата за сообразност од ЕУ е вклучена во Додаток А од упатствата за корисникот.

БЕЗБЕДНОСНИ ПРЕДУПРЕДУВАЊА

Општи упатства за безбедност за електричните алати

▲ ПРЕДУПРЕДУВАЊЕ: Прочитајте ги сите безбедносни предупредувања, упатства, илустрации и спецификации дадени со електричниот алат. Ако не се почитуваат сите упатства наведени подолу, може да дојде до струен удар, пожар и/или сериозни повреди.

Чувајте ги сите предупредувања и упатства за да може повторно да ги прочитате.

Под терминот „електричен алат“ во предупредувањата се мисли на вашиот електричен алат кој работи на струја (со кабел) или на батерии (безжично).

Безбедносни предупредувања за безжичната дупчалка

Безбедносни упатства за сите работи

1. Користете ја помошната дршка(и). Губењето контрола може да предизвика повреда.
2. Држете го алатот за изолираните држачи кога вршите работи каде што додатокот за сечење може да дојде во допир со скриени жици. Додатокот за сечење што ќе допре жица под напон може да ја пренесе струјата до металните делови на алатот и да предизвика струен удар на операторот.

3. Бидете сигурни дека секогаш стоите на цврста подлога. Уверете се дека под Вас нема никој кога го користите алатот на високи места.
4. Цврсто држете го алатот.
5. Не допирајте ги вртливите делови.
6. Не оставајте го алатот вклучен. Работете со алатот само кога кога го држите в раце.
7. Не допирајте ја бургијата од дупчалката или работниот материјал веднаш по работата, може да е многу жешка и да Ви ја изгори кожата.
8. Некои материјали содржат хемикали што можат да бидат отровни. Избегнувајте вдишување на прашината и избегнувајте контакт на прашината со кожата. Следете ги упатствата од производителот на материјалот.
9. Ако бургијата не може да се олабави дури и ако сте ги отвориле стегите, користете клешти за да ја извадите. Во таков случај, вадењето на бургијата со рака може да резултира со повреда од нејзиниот остар раб.
10. Доколку нешто не е во ред со алатот, како на пример ненормални звуци, веднаш престанете со работа и однесете го на поправка во вашиот локален сервисен центар на Makita.
11. Пред да започнете со работа, проверете дали има вметнати предмети, како цевка за електричен кабел, цевка за вода или гас, во земјата. Во спротивно, алатот може да ги допре, што ќе резултира со електричен удар, протекување на струја или гас.

Безбедносни упатства кога се користат долги бургии за дупчење

1. Не работете со брзина поголема од максималната работна брзина на бургијата за дупчење. На поголеми брзини бургијата веројатно ќе се свитка ако се дозволи да се врти слободно без допирање на работниот материјал, што ќе резултира со телесна повреда.
2. Секогаш започнете со дупчење на мала брзина и со врвот на бургијата во допир со работниот материјал. На поголеми брзини бургијата веројатно ќе се свитка ако се дозволи да се врти слободно без допирање на работниот материјал, што ќе резултира со телесна повреда.
3. Притискајте само во директна линија со бургијата и не притискајте прекумерно. Бургиите може да се скршат или да предизвикаат губење на контролата, што ќе резултира со телесна повреда.

ЧУВАЈТЕ ГО УПАТСТВОТО.

▲ ПРЕДУПРЕДУВАЊЕ: НЕ ДОЗВОЛУВАЈТЕ удобноста или познавањето на производот (стекнати со подолга употреба) да ве наведат да не се придржувате строго до безбедносните правила за овој производ. ЗЛОУПОТРЕБАТА или непочитувањето на безбедносните правила наведени во ова упатство може да предизвикаат тешка телесна повреда.

Важни безбедносни упатства за касетата за батеријата

1. Пред користење на касетата за батеријата, прочитајте ги сите упатства и ознаки за претпазливост на (1) полначот за батеријата, (2) батеријата и (3) производот што ја користи батеријата.
2. Не расклопувајте ја, ниту експериментирајте со касетата за батеријата. Тоа може да резултира со оган, прекумерна топлина или експлозија.
3. Ако оперативното време станало прекумерно кратко, престанете веднаш со работа. Тоа може да резултира со ризик од прегревање, можни изгореници, па дури и експлозија.
4. Ако електролит навлезе во вашите очи, измијте ги со чиста вода и побарајте медицинска нега веднаш. Тоа може да резултира со губење на вашиот вид.
5. Не предизвикувајте спој на касетата за батеријата.
 - (1) Не допирајте ги контактите со никаков проводлив материјал.
 - (2) Избегнувајте да ја чувате касетата за батерија во сад со други метални предмети како што се шајки, монети и сл.
 - (3) На изложувајте ја касетата за батеријата на вода или дожд.

Краткиот спој на батеријата може да предизвика голем проток на електрична енергија, прегревање, можни изгореници, па дури и пад на напојувањето.

6. Не складирајте и не користете ги алатот и касетата за батеријата на места каде што температурата може да достигне или надминува 50 °C (122 °F).
7. Не палете ја касетата за батеријата дури и кога е многу оштетена или целосно потрошена. Касетата за батеријата може да експлодира ако се стави во оган.
8. Не заковувајте ја, сечете ја, фрлајте ја, испуштајте ја касетата за батерија, ниту удирајте ја од тврд предмет касетата за батеријата. Таквото однесување може да резултира со оган, прекумерна топлина или експлозија.
9. Не користете оштетена батерија.
10. Содржаните батерии со литиумови јони се подложни на условите во Правилата за опасни предмети. За комерцијален транспорт на пр. од трети лица и посредници, мора да се следат посебните услови на пакувањата или ознаките. При подготовка на предметот кој треба да се испрати, консултирајте се со експерт за опасни материјали. Исто така, следете ги потенцијално подеталните национални правила. Запелете ги со леплива лента или маскирајте ги отворените контакти, а батеријата спакувајте ја, така што нема да се движи слободно во пакувањето.
11. Кога ја фрлате во отпад касетата за батеријата, извадете ја од алатот и фрлате ја на безбедно место. Почитувајте ги локалните законски прописи што се однесуваат на фрлање во отпад на батеријата.

12. Користете ги батериите само со производите назначени од Makita. Монтирањето батерии на неусогласените производи може да резултира со пожар, прекумерна топлина, експлозија или истекување на електролитот.
13. Доколку алатот не се користи подолг временски период, батеријата мора да се извади од алатот.
14. Пред и по употребата, касетата за батеријата може да прими топлина што може да предизвика изгореници или изгореници од ниска температура. Внимавајте како ракувате со жешките касети за батерии.
15. Не допирајте го терминалот на алатот непосредно по употребата бидејќи може да се загрее доволно за да предизвика изгореници.
16. Не дозволувајте деланки, прав или земја да се заглават во терминалите, отворите и жлебовите на касетата за батерија. Тоа може да резултира со слаба изведба или пад на напојувањето на алатот или касетата за батерија.
17. Освен ако алатката не поддржува употреба на електричните далноводи со висок напон во близина, не користете ја касетата за батерија во близина на електричните далноводи со висок напон. Тоа може да резултира со дефект или пад на напојувањето на алатот или касетата за батерија.
18. Држете ја батеријата подалеку од деца.

ЧУВАЈТЕ ГО УПАТСТВОТО.

▲ВАЖНО: Користете само оригинални батерии на Makita. Користењето неоригинални батерии на Makita или батерии што се изменети може да резултира со распукување на батеријата, предизвикувајќи пожар, телесна повреда и оштетување. Тоа исто така ќе ја поништи гаранцијата на Makita за алатот и полначот на Makita.

Совети за одржување максимален работен век на батеријата

1. Заменете ја касетата за батеријата пред целосно да се испразни. Секогаш запирајте ја работата со алатот и заменете ја касетата за батеријата кога ќе забележите дека алатот дава помала моќност.
2. Никогаш немојте да полните целосно полна касета за батерија. Прекумерното полнење го скратува работниот век на батеријата.
3. Полнете ја касетата за батеријата на собна температура од 10°C - 40°C. Дозволете загреаната касета за батерија да се олади пред да ја ставите на полнење.
4. Кога не ја користите касетата за батерија, извадете ја алатот или полначот.
5. Полнете ја касетата за батеријата доколку не ја користите подолго време (повеќе од шест месеци).

ОПИС НА ФУНКЦИИТЕ

⚠ ВНИМАНИЕ: Пред секое нагодување или проверка на алатот, проверувајте дали е исклучен и батеријата е извадена.

Монтирање или отстранување на касетата за батеријата

⚠ ВНИМАНИЕ: Секогаш исклучувајте го алатот пред ставањето или вадењето на касетата за батеријата.

⚠ ВНИМАНИЕ: Држете ги алатот и касетата за батеријата цврсто кога ја монтирате или вадите касетата за батеријата. Ако не ги држите цврсто алатот и касетата за батеријата, тие може да се лизнат од вашите раце и да дојде до нивно оштетување, како и до телесна повреда.

► Сл.1: 1. Црвен индикатор 2. Копче 3. Касета за батерија

За да ја извадите касетата за батеријата, повлечете ја од алатот додека го лизгате копчето на предната страна на касетата.

За вметнување на касетата за батеријата, порамнете го јазичето на касетата со жлебот во кукиштето и лизнете го во место. Вметнете ја до крај додека не се блокира во место при што ќе се слушне мало кликување. Ако можете да го видите црвениот индикатор на горната страна од копчето, тоа значи дека не е заклучена целосно во место.

⚠ ВНИМАНИЕ: Секогаш монтирајте ја касетата за батеријата целосно додека црвениот индикатор не се изгасне. Во спротивно, може ненадејно да испадне од алатот предизвикувајќи ви повреда вам или на некој друг околу вас.

⚠ ВНИМАНИЕ: Немојте да ја монтирате касетата за батеријата на сила. Ако касетата не може да се лизне лесно, тоа значи дека не е поставена правилно.

Укажување на преостанатиот капацитет на батеријата

Само за батерии со индикатор

► Сл.2: 1. Индикаторски ламбички 2. Копче за проверка

Притиснете го копчето за проверка на касетата за батеријата за укажување на преостанатиот капацитет на батеријата. Индикаторските ламбички светнуваат неколку секунди.

Индикаторски ламбички			Преостанат капацитет
Запалено	Исклучено	Трепка	
			75% до 100%
			50% до 75%
			25% до 50%
			0% до 25%
			Наполнете ја батеријата.
			Батеријата можеби е неисправна.

НАПОМЕНА: Во зависност од условите на користење и амбиенталната температура, индикацијата може да се разликува во мала мера од реалниот капацитет.

НАПОМЕНА: Првата (најлево) ламбичка на индикаторот ќе трепка кога работи системот за заштита на батеријата.

Систем за заштита на алатот/ батеријата

Алатот е опремен со систем за заштита на алатот/ батеријата. Овој систем автоматски го прекинува напојувањето на моторот за да го продолжи работниот век на алатот и на батеријата. Алатот автоматски ќе се исклучи за време на работењето ако тој или батеријата се најдат под еден од следниве услови:

Заштита од преоптоварување

Кога со алатот/батеријата се работи на начин што предизвикува повлекување прекумерно висока струја, алатот автоматски се исклучува. Во таква ситуација, исклучете го алатот и запрете со примената што предизвикала негово преоптоварување. Потоа, повторно вклучете го алатот.

Заштита од прегревање

Кога алатот/батеријата ќе се прегрее, алатот автоматски ќе запре и ламбичката ќе трепка. Во оваа ситуација, оставете го алатот да се излади пред повторно да го вклучите.

Заштита од прекумерно празнење

Кога капацитетот на батеријата нема да биде доволен, алатот автоматски се исклучува. Во овој случај, извадете ја батеријата од алатот и наполнете ја.

Вклучување

⚠ ВНИМАНИЕ: Пред да ја ставите батеријата во алатот, проверете го прекинувачот дали функционира правилно и дали се враќа во положбата „OFF“ кога ќе се отпушти.

► Сл.3: 1. Прекинувач

За стартување на алатот, повлечете го прекинувачот за стартување. Брзината на алатот се зголемува со зголемување на притисокот врз прекинувачот за стартување. Отпуштете го прекинувачот за стартување за да запре.

НАПОМЕНА: Алатот автоматски запира ако го држите прекинувачот повлечен околу 6 минути.

Вклучување на предната ламба

⚠ ВНИМАНИЕ: Не гледајте директно во светлината или во изворот на светлина.

► Сл.4: 1. Ламба

Повлечете го прекинувачот за вклучување на ламбата. Ламбата продолжува да свети додека прекинувачот е повлечен. Ламбата ќе се исклучи приближно 10 секунди по отпуштањето на прекинувачот.

НАПОМЕНА: Кога алатот е прегреан, тој автоматски ќе запре и ламбичката ќе почне да трепка. Во овој случај, отпуштете го прекинувачот за стартување. Ламбичката ќе се исклучи 1 минута(и).

НАПОМЕНА: Користете сува крпа за да ја избришете нечистотијата од леќата на ламбата. Внимавајте да не ја изгребете леќата на ламбата затоа што тоа може да го намали осветлувањето.

Прекинувач за обратна акција

⚠ ВНИМАНИЕ: Секогаш проверувајте ја насоката на ротација пред работата.

⚠ ВНИМАНИЕ: Користете го прекинувачот за обратна акција само откако алатот целосно ќе запре. Променувањето на насоката на ротација пред алатот целосно да застане може да го оштети алатот.

⚠ ВНИМАНИЕ: Кога не работите со алатот, секогаш поставувајте го прекинувачот за обратна акција во неутрална положба.

Овој алат има прекинувач за обратна акција за променување на насоката на ротација. Отпуштете го прекинувачот за обратна акција од страна А за ротација во насока на стрелките на часовникот или од страна В за ротација во насока спротивна од стрелките на часовникот.

Кога рачката на прекинувачот за обратна акција е во неутрална положба, рачката на прекинувачот за вклучување не може да се повлече.

► Сл.5: 1. Рачка на прекинувачот за обратна акција

Промена на брзина

ЗАБЕЛЕШКА: Користете ја рачката за промена на брзината само откако алатот целосно ќе запре. Промената на брзината пред алатот да запре може да го оштети алатот.

ЗАБЕЛЕШКА: Секогаш поставувајте ја рачката за промена на брзината внимателно во соодветната положба. Ако ракувате со алатот со рачката за промена на брзината поставена на половина помеѓу позицијата 1 и 2, алатот може да се оштети.

ЗАБЕЛЕШКА: Ако брзината на ротација значително се намали при работа во режим на висока брзина, сопнете го алатот и сменете го режимот на мала брзина. Во спротивно, моторот може да се прегрее и да предизвика дефект или пожар.

Опсегот на двете брзини може да се избере однапред со рачката за промена на брзината. За промена на брзината, свртете ја рачката за промена на брзината, така што покажувачот ќе покажува на положба 1 за режим со мала брзина или положба 2 за режим со голема брзина.

► Сл.6: 1. Покажувач 2. Рачка за промена на брзината

Електронска функција

Електрична сопирачка

Алатот е опремен со електрична сопирачка. Ако алатот постојано не успева брзо да прекине да функционира по отпуштање на прекинувачот за стартување, алатот треба да се однесе на сервис во сервисен центар на Makita.

Одлика за меко стартување

Оваа функција овозможува лесно стартување на алатот со ограничување на стартниот вртежен момент.

СОСТАВУВАЊЕ

⚠ ВНИМАНИЕ: Пред секое дотерување или проверка на алатот, секогаш проверувајте дали е исклучен и батеријата е извадена.

Монтирање на страничниот држач (помошна рачка)

⚠ ВНИМАНИЕ: Секогаш проверувајте дали страничниот држач е наместен цврсто пред да работите.

Прицврстете го страничниот држач на алатот. Страничниот држач може да се монтира од двете страни на алатот, каде што е погодно.

► Сл.7: 1. Страничен држач

Монтирање на држачот на клучот

(Зависно од земјата)

⚠ВНИМАНИЕ: Секогаш проверувајте дали држачот на клучот е монтиран цврсто пред да работите.

Цврсто зашрафете го држачот на клучот на алатот. Потоа поставете го клучот за главата во позиција.

► **Сл.8:** 1. Држач на клучот 2. Шраф 3. Клуч за главата

Поставување или отстранување бургија

За да ја монтирате бургијата, ставете ја во главата до крај. Зацврстете ја главата со рака. Поставете го клучот за главата во секоје од трите дупчиња и завртете во насока на стрелките на часовникот. Осигурете се да ги затегнете сите три дупчиња на главата подеднакво. За ја извадите бургијата, вртете го клучот за главата налево во само едно од дупчињата, а потоа олабавете ја главата со рака.

► **Сл.9:** 1. Клуч за главата

По употребата, вратете го клучот за главата во држачот на клучот на алатот, како што е прикажано.

► **Сл.10:** 1. Држач на клучот

Кука

⚠ВНИМАНИЕ: Секогаш вадете ја батеријата кога го закачувате алатот со куката.

⚠ВНИМАНИЕ: Никогаш не закачувајте го алатот на високо место или на потенцијално нестабилна површина.

Куката е практична за привремено закачување на алатот. За да ја употребите куката, едноставно подигнете ја додека не влезе во отворена положба. Кога куката не се користи, секогаш спуштете ја додека не влезе во затворена положба.

► **Сл.11:** 1. Кука

► **Сл.12**

Поврзување на јажето (лентата за прицврстување) со куката

⚠ВНИМАНИЕ: Не користете оштетени кука и шrafoви. Пред употреба, секогаш проверете дали има оштетувања, пукнатини или деформации и проверете дали шrafoвите се затегнати.

⚠ВНИМАНИЕ: Осигурете се дека куката е безбедно монтирана со шrafoвите.

⚠ВНИМАНИЕ: Не монтирајте ниту вадете никаков додаток додека го закачувате алатот. Алатот може да падне ако шrafoвите не се затегнати.

⚠ВНИМАНИЕ: Секогаш користете прицврстувач за заклучување (тип со повеќе дејства и порта на шrafoт) и проверете дали јажето (лента за прицврстување) е прикачено на делот со двоен јазол на куката. Несоодветното прикачување може да предизвика алатот да падне од куката и да резултира со телесна повреда.

Куката исто така се користи и за поврзување на јажето (лентата за прицврстување). Проверете дали јажето (лента за прицврстување) е прикачено на делот со двоен јазол на куката.

► **Сл.13:** 1. Дел со двоен јазол на куката
2. Јаже (лента за прицврстување)
3. Прицврстувач за заклучување (тип со повеќе дејства и порта на шrafoт)

РАБОТЕЊЕ

⚠ВНИМАНИЕ: Секогаш вметнувајте ја касетата со батерии до крај додека не се блокира во место. Ако можете да го видите црвениот индикатор на горната страна од копчето, тоа значи дека не е целосно блокирана во место. Вметнете ја целосно додека не се прекрие црвениот индикатор. Во спротивно, може ненадејно да испадне од алатот предизвикувајќи ви повреда вам или на некој друг околу вас.

⚠ВНИМАНИЕ: Кога брзината нагло ќе опадне, намалете ја оптовареноста или запрете го алатот за да избегнете негово оштетување.

⚠ВНИМАНИЕ: Држете го алатот цврсто кога работите со него.

Алат за држење

⚠ВНИМАНИЕ: Ова е моќен алат. Се произведува голем вртежен момент и важно е алатот да се држи цврсто и правилно.

Фатете ја рачката со едната рака, а предната рачка со другата рака.

► **Сл.14:** 1. Предна рачка 2. Рачка

Дупчење

Дупчење во дрво

Кога дупчите во дрво, најдобрите резултати се добиваат со бургии за дрво опремени со водилка. Водилката го олеснува дупчењето со тоа што ја вовлекува бургијата за дупчење во работниот материјал.

Дупчење во метал

За да спречите лизгање на бургијата за дупчење кога започнувате со дупка, направете вдлабнување со шило и чекан на местото каде што сакате да дупчите. Поставете го врвот од бургијата за дупчење во продупченото место и започнете со дупчење. Кога дупчите во метал, користете средство за подмачкување при сечење. Исклучок од тоа се железо и месинг кои треба да се дупчат на суво.

▲ВНИМАНИЕ: Притискањето силно врз алатот нема да го забрза дупчењето. Всушност, овој прекумерен притисок само ќе го оштети врвот на бургијата за дупчење, ќе ги намали перформансите на алатот и ќе го скрати неговиот работен век.

▲ВНИМАНИЕ: Цврсто држете го алатот и внимателно напредувајте кога бургијата за дупчење почнува да навлегува во материјалот. Доаѓа до јака сила која делува врз алатот/ бургијата за дупчење при дупнувањето на дупката.

▲ВНИМАНИЕ: Заглавената бургија за дупчење може лесно да се извади со поставување на прекинувачот за обратна акција на обратна ротација за да се повлече назад. Сепак, алатот може да отскокне наназад нагло ако не го држите доволно цврсто.

▲ВНИМАНИЕ: Секогаш прицврстувајте ги работните материјали на менгеме или сличен уред за прицврстување.

▲ВНИМАНИЕ: Избегнувајте дупчење во материјал за кој се сомневате дека има шајки или други предмети што можат да предизвикаат виткање или кршење на бургијата.

▲ВНИМАНИЕ: Ако алатот работи континуирано додека касетата за батеријата не се испразни, оставете го да се одмори 15 минути пред да продолжите со свежа батерија.

Поврзување со јаже (лента за прицврстување)

▲Посебни безбедносни предупредувања за користење на висина
Прочитајте ги сите безбедносни предупредувања и упатства. Ако не се почитуваат предупредувањата и упатствата, може да дојде до сериозни повреди.

1. Секогаш држете го алатот прицврстен кога работите „на висина“. Максимална должина на јажеото е 2 м (6,5 стапки). Максималната дозволена висина на пад на јажеото (лентата за прицврстување) не смее да надмине 2 м (6,5 стапки).
2. Користете само јажиња што се соодветни за овој тип алат и проценети за најмалку 5,0 kg (11,0 lbs).
3. Не зацврстувајте го јажеото од алатот со ниту еден дел на телото или на подвижните компоненти. Зацврстете го јажеото од алатот на цврста структура што може да ги издржи силите на паднатиот алат.
4. Пред употреба, проверете дали јажеото е правилно затегнато на секој крај.
5. Пред секоја употреба, проверете дали алатот има оштетувања и дали функционира правилно (вклучувајќи ги платното и шевовите). Не користете ако е оштетен или ако не функционира правилно.
6. Не виткајте ги јажињата ниту дозволувајте да дојдат во допир со остри или груби рабови.
7. Зацврстете го другиот крај од јажеото надвор од работниот простор, така што алатот што паѓа ќе биде добро прицврстен.

8. Прикачете го јажеото, така што алатот ќе се оддалечи од операторот ако падне. Паднатите алати ќе се нишаат на јажеото, што може да предизвика повреда или губење на рамнотежата.
9. Не користете го во близина на подвижни делови или машинерија што работи. Во спротивно, тоа може да резултира со опасност од кршење или заплеткување.
10. Не носете го алатот со додадениот уред или јажеото.
11. Пренесувајте го алатот само со рацете додека држите соодветна рамнотежа.
12. Не прикачувајте ги јажињата на алатот на начин што ќе ги спречи штитниците, прекинувачите или одблокирањата да работат правилно.
13. Избегнувајте заглавување во јажеото.
14. Држете го јажеото настрана од областа каде што се сече со алатот.
15. Користете карабинери со повеќе дејства и со тип шрафови со затворање. Не користете карабинери со едно дејство со клипови со пружини.
16. Во случај кога алатот ќе падне, тој мора да се означи и да се отстрани од работа и треба да го провери фабричкиот или овластениот сервисен центар на Makita.

ОДРЖУВАЊЕ

▲ВНИМАНИЕ: Пред секоја проверка или одржување, секогаш проверувајте дали алатот е исклучен и касетата за батеријата е извадена.

ЗАБЕЛЕШКА: За чистење, не користете нафта, бензин, разредувач, алкохол или слично. Тие средства ја вадат бојата и може да предизвикаат деформации или пукнатини.

За да се одржи БЕЗБЕДНОСТА и СИГУРНОСТА на производот, поправките, одржувањата или дотерувањата треба да се вршат во овластени сервисни или фабрички центри на Makita, секогаш со резервни делови од Makita.

ОПЦИОНАЛЕН ПРИБОР

▲ВНИМАНИЕ: Овој прибор или додатоци се препорачуваат за користење со алатот од Makita дефиниран во упатството. Со користење друг прибор или додатоци може да се изложите на ризик од телесни повреди. Користете ги приборот и додатоците само за нивната назначена намена.

Ако ви треба помош за повеќе детали за приборот, прашајте во локалниот сервисен центар на Makita.

- Бургии за дупчење
- Оригинална батерија и полнач на Makita

НАПОМЕНА: Некои ставки на листата може да се вклучени со алатот како стандарден прибор. Тие може да се разликуваат од држава до држава.

ТЕХНИЧКИ ПОДАЦИ

Модел:		DDA450	
Брзина зупчаника		Велика	Мала
Капацитет бушења	Челик	13 мм	
	Дрво	Бургија: 38 мм Крунаста тестера: 50 мм Тестера за рупе: 101 мм	Бургија: 38 мм Крунаста тестера: 65 мм Тестера за рупе: 127 мм
Брзина без оптерећења		0 – 1.400 мин ⁻¹	0 – 450 мин ⁻¹
Укупна дужина (са улошком батерије BL1860В)		434 мм	
Номинални напон		DC 18 V	
Нето тежина		3,2 – 3,5 кг	

- На основу нашег непрестаног истраживања и развоја задржавамо право измена наведених техничких података без претходне најаве.
- Спецификације могу да се разликују у различитим земљама.
- Тежина може да се разликује у зависности од наставака, укључујући и уложак батерије. Најлакша и најтежа комбинација, према процедури ЕПТА 01/2014, приказане су у табели.

Применљив уложак батерије и пуњач

Уложак батерије	BL1815N / BL1820B / BL1830B / BL1840B / BL1850B / BL1860B
Пуњач	DC18RC / DC18RD / DC18RE / DC18SD / DC18SE / DC18SF / DC18SH

- Неки горенаведени улошки батерија и пуњачи можда неће бити доступни у зависности од места становања.

▲УПОЗОРЕЊЕ: Користите само горенаведене улошке батерије и пуњаче. Коришћење других уложака батерије и пуњача може узроковати повреде и/или пожар.

Намена

Алат је намењен за бушење дрвета, метала и пластике.

Бука

Типичан А-пондерисани ниво буке одређен је према стандарду EN62841-2-1:

Ниво звучног притиска (L_{pA}): 83 dB (A)

Ниво звучне снаге (L_{WA}): 94 dB (A)

Несигурност (K): 3 dB (A)

НАПОМЕНА: Декларисане вредности емисије буке су измерене према стандардизованом мерном поступку и могу се користити за упоређивање алата.

НАПОМЕНА: Декларисана вредност емисије буке се такође може користити за прелиминарну процену изложености.

▲УПОЗОРЕЊЕ: Носите заштитне слушалице.

▲УПОЗОРЕЊЕ: Емисије буке током стварне примене електричног алата могу се разликовати од декларисане вредности у зависности од начина на који се користи алат, а посебно која врста предмета се обрађује.

▲УПОЗОРЕЊЕ: Уверите се да сте идентификовали безбедносне мере за заштиту руковаоца које су засноване на процени изложености у стварним условима употребе (узимајући у обзир све делове радног циклуса, као што је време рада уређаја, али и време када је алат искључен и када ради у празном ходу).

Вибрације

Укупна вредност вибрација (векторски збир по три осе) одређена је према стандарду EN62841-2-1:
Режим рада: бушење метала
Вредност емисије вибрација ($a_{h,D}$): 2,5 м/с² или мања
Несигурност (K): 1,5 м/с²

НАПОМЕНА: Декларисане укупне вредности вибрација су измерене према стандардизованом мерном поступку и могу се користити за упоређивање алата.

НАПОМЕНА: Декларисане укупне вредности вибрација се такође могу користити за прелиминарну процену изложености.

▲УПОЗОРЕЊЕ: Вредност емисије вибрација током стварне примене електричног алата може се разликовати од декларисане вредности у зависности од начина на који се користи алат, а посебно која врста предмета се обрађује.

▲УПОЗОРЕЊЕ: Уверите се да сте идентификовали безбедносне мере за заштиту руковаоца које су засноване на процени изложености у стварним условима употребе (узимајући у обзир све делове радног циклуса, као што је време рада уређаја, али и време када је алат искључен и када ради у празном ходу).

ЕЗ декларација о усаглашености

Само за европске земље

ЕЗ декларација о усаглашености део је Додатка А у овом приручнику са упутствима.

БЕЗБЕДНОСНА УПОЗОРЕЊА

Општа безбедносна упозорења за електричне алате

▲УПОЗОРЕЊЕ: Прочитајте сва безбедносна упозорења, упутства, илустрације и спецификације које су испоручене уз овај електрични алат. Непοштовање свих доле наведених безбедносних упутстава може изазвати електрични удар, пожар и/или озбиљну повреду.

Сачувајте сва упозорења и упутства за будуће потребе.

Термин „електрични алат“ у упозорењима односи се на електрични алат који се напаја из електричне мреже (каблом) или батерије (без кабла).

Безбедносна упозорења за бежичну бушилицу

Безбедносна упутства за све операције

1. Користите помоћне ручке. Губитак контроле може да доведе до телесних повреда.
2. Електрични алат држите за изоловане рукохвате када обављате радове при којима постоји могућност да резни прибор додирне скривене водове. Резни прибор који додирне струјни вод може да стави под напон изложене металне делове електричног алата и изложи руковаоца струјном удару.

3. Побрините се да увек имате чврст ослонац испод ногу. Уверите се да никога нема испод вас ако алат користите на високим местима.
4. Чврсто држите алат.
5. Држите руке даље од ротирајућих делова.
6. Немојте да остављате укључен алат. Алат укључите само када га држите рукама.
7. Бургију или предмет обраде не додирујте одмах после завршетка рада јер може да буде врло врућ и да вас опече.
8. Неки материјали садрже хемикалије које могу да буду отровне. Будите опрезни да не би дошло до удисања прашине или контакта са кожом. Следите безбедносне податке добављача материјала.
9. Ако бургију није могуће олабавити чак и ако сте отворили чељусти, извуците је клештима. Извлачење бургије рукама у оваквим ситуацијама може довести до повреде због њених оштрих ивица.
10. Ако нешто није у реду са алатом, нпр. ако чујете неуобичајене звукове, одмах престаните са радом и обратите се локалном сервисном центру компаније Makita ради поправке.
11. Пре почетка рада, уверите се да у земљи нема закопаних објеката попут електричне цеви, цеви за воду или гас. У супротном, алат може да дође у додир са њима, што може да изазове струјни удар, електрично цурење или цурење гаса.

Безбедносна упутства за коришћење дугих бургија

1. Никада немојте да их користите на већој брзини од максималне наведене брзине бургије. При вишим брзинама наставак може да се савије ако се слободно окреће без додиривања предмета обраде, што може да доведе до повреде.
2. Обавезно почините да бушите при нижој брзини и тако да врх наставка додирује предмет обраде. При вишим брзинама наставак може да се савије ако се слободно окреће без додиривања предмета обраде, што може да доведе до повреде.
3. Примените притисак само у директној линији са наставком и немојте да примењујете прекомерни притисак. Наставци могу да се савију и тиме доведу до прелома или губитка контроле, што може да изазове повреде.

САЧУВАЈТЕ ОВО УПУТСТВО.

▲УПОЗОРЕЊЕ: НЕМОЈТЕ себи да дозволите да занемарите строга безбедносна правила која се односе на овај производ услед чињенице да сте производ добро упознали и стекли рутину у руковању њиме (услед честог коришћења). НЕНАМЕНСКА УПОТРЕБА или непоштовање безбедносних правила наведених у овом упутству могу довести до тешких телесних повреда.

Важна безбедносна упутства која се односе на уложак батерије

1. Пре употребе уложка батерије, прочитајте сва упутства и безбедносне ознаке на (1) пуњачу батерије, (2) батерији и (3) производу који користи батерију.
2. Не растављајте и не модификујте уложак батерије. Тиме можете да изазовете пожар, прекомерно загревање или експлозију.
3. Ако се време рада знатно скратило, одмах престаните са коришћењем. То може да доведе до ризика од прегревања, могућих опекотина, па чак и експлозије.
4. Ако електролит доспе у очи, исперите их чистом водом и одмах затражите помоћ лекара. То може да доведе до губитка вида.
5. Немојте да изазивате кратак спој уложка батерије:
 - (1) Немојте додиривати прикључке било којим проводним материјалом.
 - (2) Избегавајте складиштење уложка батерије у кутији са другим металним предметима као што ексери, новчићи итд.
 - (3) Немојте да излажете уложак батерије води или киши.

Кратак спој батерије може да доведе до великог протока струје, прегревања, могућих опекотина, па чак и прегоривања.

6. Немојте да складиштите и користите алат и уложак батерије на местима где температура може да достигне или премаше 50 °C (122 °F).
7. Немојте да палите уложак батерије чак ни када је озбиљно оштећен или потпуно похабан. Уложак батерије може да експлодира у ватри.
8. Немојте да закивате, сечете, ломите, бацате или испуштате уложак батерије, или да њиме ударате по чврстој површини. На тај начин можете да изазовете пожар, прекомерно загревање или експлозију.
9. Немојте да користите оштећену батерију.
10. Садржане литијум-јонске батерије подлежу Закону о превозу опасних материја. Приликом комерцијалног превоза, нпр. од стране трећих лица и превозника, мора се обратити посебна пажња на специјалне захтеве паковања и обележавања. Приликом припреме материјала за превоз, потребно је саветовати се са стручњаком за опасне материје. Такође обратите пажњу на евентуалне даље националне прописе. Омотајте траком или прекријте отворене контакте и запакујте батерију тако да се не може померати унутар паковања.
11. Када одлажете уложак батерије на отпад, извадите га из алата и одложите на безбедно место. Придржавајте се локалних прописа у вези са одлагањем батерије.

12. Батерије користите само са производима које је навела компанија Makita. Постављање батерије на производе који нису усаглашени може да доведе до пожара, прекомерне топлоте, експлозије или цурења електролита.
13. Ако се алат не користи током дужег периода, батерија мора да се извади из алата.
14. Током и након коришћења, уложак батерије може да акумулира толико топлоте да то може довести до опекотина, уобичајених и нискотемпературних. Пажљиво рукујте врућим улошцима батерије.
15. Не додирујте контакте алата одмах након коришћења јер су можда толико врући да могу да изазову опекотине.
16. Водите рачуна да се струготина, прашина или земља не заглаве у контактима, рупицама и жлебовима уложка батерије. У супротном може доћи до лошег учинка или прегоривања алата или уложка батерије.
17. Осим ако алат то не подржава, немојте да користите уложак батерије близу високонапонских разводних линија електричне струје. У супротном може доћи до квара или прегоривања алата или уложка батерије.
18. Држите батерију ван домаћаја деце.

САЧУВАЈТЕ ОВО УПУТСТВО.

▲ПАЖЊА: Користите само оригиналне Makita батерије. Коришћење Makita батерија које нису оригиналне или батерија које су измењене може да доведе до пуцања батерије, које може да изазове пожар, телесне повреде или штету. То ће такође поништити гаранцију компаније Makita за Makita алат и пуњач.

Савети за максимално трајање батерије

1. Напуните уложак батерије пре него што се потпуно испразни. Сваки пут прекините рад са алатом и напуните уложак батерије када приметите да је снага алата слабија.
2. Никада немојте да поново пуните потпуно напуњени уложак батерије. Препуњавање скраћује радни век батерије.
3. Пуните уложак батерије на собној температури између 10°C и 40°C (између 50°F и 104°F). Сачекајте да се врући уложак батерије охлади пре пуњења.
4. Када не користите уложак батерије, извадите га из алата или пуњача.
5. Напуните уложак батерије ако га нећете користити дуже време (више од шест месеци).

ОПИС НАЧИНА ФУНКЦИОНИСАЊА

ПАЖЊА: Пре подешавања или провере функција алата увек проверите да ли је алат искључен и да ли је уложак батерије уклоњен.

Постављање и уклањање уложка батерије

ПАЖЊА: Увек искључите алат пре постављања или уклањања уложка батерије.

ПАЖЊА: Држите чврсто алат и уложак батерије када постављате или уклањате уложак батерије. Ако алат и уложак батерије не будете држали чврсто, могу вам исклизнути из руку, оштетити се при паду и повредити вас.

► **Слика1:** 1. Црвени индикатор 2. Дугме 3. Уложак батерије

Да бисте уклонили уложак батерије, клизањем га извучите из алата док клизањем померате дугме на предњој страни уложка.

Да бисте поставили уложак батерије, поравнајте језичак на њему са жлебом на кућишту и гурните га на место. Гурните га до краја тако да легне на своје место и чује се тихо шкљоцање. Ако можете да уочите црвени индикатор на горњој страни дугмета, то значи да уложак батерије није потпуно заглављан.

ПАЖЊА: Увек до краја гурните уложак батерије тако да се црвени индикатор не види. У супротном, он случајно може испасти из алата и повредити вас или неку особу у вашој близини.

ПАЖЊА: Немојте на силу да постављате уложак батерије. Ако уложак не можете лако да гурнете, то значи да га не постављате исправно.

Приказ преосталог капацитета батерије

Само за уложке батерије са индикатором

► **Слика2:** 1. Индикаторске лампиче 2. Дугме за проверу

Притисните дугме за проверу на уложку батерије да бисте приказали преостали капацитет батерије. Индикаторске лампиче ће се укључити на неколико секунди.

Индикаторске лампиче			Преостали капацитет
Светли	Искључено	Трепће	
■	□	▧	Од 75% до 100%
■ ■ ■ ■	□ □ □ □		
■ ■ ■ ■	□ □ □ □		Од 50% до 75%
■ ■ ■ ■	□ □ □ □		Од 25% до 50%
■ ■ ■ ■	□ □ □ □		Од 0% до 25%
▧	□ □ □ □		Напуните батерију.
■ ■ ■ ■	□ □ □ □		Могуће је да је батерија постала неисправна.
□ □ □ □	■ ■ ■ ■		

НАПОМЕНА: У зависности од услова коришћења и температуре околине, приказани капацитет може донекле да се разликује од стварног.

НАПОМЕНА: Прва (крајња лева) индикаторска лампича трепери када систем за заштиту батерије ради.

Систем за заштиту алата/батерије

Алат је опремљен системом за заштиту алата/батерије. Овај систем аутоматски прекида напајање мотора како би продужио век трајања алата и батерије. Алат ће се аутоматски зауставити током рада ако алат или батерија уђу у једно од следећих стања:

Заштита од преоптерећења

Када се алатом рукује тако да троши превише струје, алат ће аутоматски престати са радом. У овој ситуацији, искључите алат и престаните са употребом која је довела до преоптерећења алата. Затим укључите алат да бисте га поново покренули.

Заштита од прегревања

Када се прегреје алат/батерија, алат аутоматски престаје да ради и лампа почиње да трепери. У том случају, сачекајте да се алат охлади пре него што га поново укључите.

Заштита од превеликог пражњења

Када капацитет батерије није довољан, алат аутоматски престаје с радом. У том случају, уклоните батерију из алата и напуните је.

Функционисање прекидача

ПАЖЊА: Пре постављања уложка батерије у алат увек проверите да ли окидач прекидача ради правилно и да ли се након отпуштања враћа у положај „OFF“ (Искључено).

► **Слика3:** 1. Окидач прекидача

Да бисте активирали алат, повуците окидач прекидача. Брзину алата повећавањем притиска на окидач прекидача. Отпустите окидач прекидача да бисте зауставили алат.

НАПОМЕНА: Алат аутоматски престаје са радом ако узастопно повлачите окидач прекидача око 6 минута.

Укључивање предње лампе

ПАЖЊА: Немојте да гледате у лампу ни директно у извор светлости.

► **Слика4:** 1. Лампа

Притисните окидач прекидача да бисте укључили лампу. Лампа ће светлети све док држите притиснут окидач прекидача. Лампа ће се искључити приближно 10 секунди након што отпустите окидач прекидача.

НАПОМЕНА: Када се прегреје, алат аутоматски престаје да ради и лампа почиње да трепери. У овом случају, отпустите окидач прекидача. Лампа се искључује за 1 минут.

НАПОМЕНА: Сувом крпом обришите прљавштину са сочива лампе. Пазите да не огревете сочиво лампе, јер тако можете смањити осветљеност.

Рад прекидача за окретање

⚠ ПАЗИЈА: Увек проверите смер обртања пре рада.

⚠ ПАЗИЈА: Користите прекидач за окретање тек након што се алат потпуно заустави.
Промена смера обртања пре заустављања алата може оштетити алат.

⚠ ПАЗИЈА: Када се алат не користи, увек поставите полуку прекидача за окретање у неутралан положај.

Овај алат има прекидач за окретање који служи за промену смера обртања. Притисните полуку прекидача за окретање са стране А за обртање у смеру кретања казале на сату или са стране Б за обртање у супротном смеру.
Када се полуку прекидача за окретање налази у неутралном положају, није могуће притиснути полуку прекидача.

► **Слика5:** 1. Полуку прекидача за окретање

Промена брзине

ОБАВЕШТЕЊЕ: Користите дугме за мењање брзине тек након што се алат потпуно заустави.
Промена брзине алата пре заустављања алата може да оштети алат.

ОБАВЕШТЕЊЕ: Дугме за мењање брзине увек пажљиво поставите у исправан положај.
Ако алат користите док је дугме за мењање брзине подешено између положаја 1 и положаја 2, алат се може оштетити.

ОБАВЕШТЕЊЕ: Ако се брзина ротације значајно смањи током рада у режиму велике брзине, зауставите алат и изаберите режим мале брзине. У супротном, мотор се може преоптеретити и довести до квара или пожара.

Помоћу дугмета за мењање брзине можете да унапред изаберете два опсега брзине.
Да бисте променили брзину, окрените точић за мењање брзине тако да показивач показује на положај 1 за режим мале брзине или положај 2 за режим велике брзине.

► **Слика6:** 1. Показивач 2. Точић за мењање брзине

Електронска функција

Електрична кочница

Алат је опремљен електричном кочницом. Ако се више пута деси да се алат не зауставља брзо након пуштања окидача прекидача, однесите га у Makita сервисни центар.

Функција лаганог старта

Ова функција обезбеђује глатко покретање алата тако што ограничава обртни момент при покретању.

СКЛАПАЊЕ

⚠ ПАЗИЈА: Пре обављања било каквог посла на алату увек проверите да ли је он искључен и да ли је уложак батерије уклоњен.

Монтажа бочног рукохвата (помоћна ручка)

⚠ ПАЗИЈА: Пре употребе се побрините да бочни рукохват буде правилно монтиран.

Заврните чврсто бочни рукохват на алат. Бочни рукохват може да се постави са обе стране алата, како год да вам је zgodније.

► **Слика7:** 1. Бочни рукохват

Монтажа држача кључа

(у зависности од земље)

⚠ ПАЗИЈА: Пре употребе се увек уверите да је држач кључа правилно монтиран.

Заврните чврсто држач кључа на алат. Затим поставите кључ за стезну главу на место.

► **Слика8:** 1. Држач кључа 2. Завртањ 3. Кључ за стезну главу

Постављање или скидање бургије

Да бисте поставили бургију, ставите је у стезну главу докле год може да уђе. Стегните стезну главу руком. Ставите кључ за стезну главу у сваку од три рупе и затегните у смеру кретања казале на сату. Водите рачуна да затегнете равномерно све три рупе стезне главе.

Да бисте извукли бургију, окрените кључ за стезну главу само у једној рупи у смеру супротном од кретања казале на сату, затим одвртните стезну главу руком.

► **Слика9:** 1. Кључ за стезну главу

Након коришћења, кључ за стезну главу вратите у држач кључа на алату, као што је приказано на слици.

► **Слика10:** 1. Држач кључа

Кука

⚠ ПАЗИЈА: Увек уклоните батерију када алат качите помоћу куке.

⚠ ПАЗИЈА: Никада немојте да качите алат на високој локацији нити на потенцијално нестабилној површини.

Кука је zgodна за привремено качење алата.

Да бисте користили куку, само подигните куку док не дође у отворен положај. Када није у употреби, увек спустите куку док не дође у затворен положај.

► **Слика11:** 1. Кука

► **Слика12**

Повезивање врпце (траке за везивање) на куку

▲ПАЖЊА: Немојте да користите куку и завртње ако су оштећени. Пре употребе увек проверите да ли има оштећења, пукотина или деформација и уверите се да су завртњи притегнути.

▲ПАЖЊА: Водите рачуна да кука буде чврсто постављена помоћу завртња.

▲ПАЖЊА: Немојте да постављате или уклањате било који прибор када вешате алат. Алат може да падне ако ови завртњи нису притегнути.

▲ПАЖЊА: Увек користите карабинер са закључавањем (вишенаменски или са опругом) и проверите да ли сте повезали врпцу (траку за везивање) за део куке са двоструком омчом. Алат се може откачити са куке и довести до повреде услед неправилног повезивања.

Кука се користи и за повезивање врпце (траке за везивање). Обавезно повежите врпцу (траку за везивање) са делом куке са двоструком омчом.

- **Слика13:**
1. Део куке са двоструком омчом
 2. Врпца (трака за везивање)
 3. Карабинер са закључавањем (вишенаменски или са опругом)

РАД

▲ПАЖЊА: Увек уметните уложак батерије до краја, тако да легне на своје место. Ако можете да уочите црвени индикатор на горњој страни дугмета, то значи да уложак батерије није потпуно закључан. Убаците га у потпуности тако да се црвени индикатор не може видети. У супротном, он случајно може испасти из алата и повредити вас или неку особу у вашој близини.

▲ПАЖЊА: Ако брзина драстично опадне, смањите оптерећење или зауставите алат да бисте избегли његово оштећење.

▲ПАЖЊА: Чврсто држите алат приликом руковања.

Држање алата

▲ПАЖЊА: Ово је моћан алат. Он развија велику силу обртног момента и важно је да се чврсто држи и исправно хвата.

Једном руком ухватите ручку, а другом предњу ручку.

- **Слика14:** 1. Предња ручка 2. Ручка

Бушење

Бушење дрвета

Приликом бушења дрвета, најбољи резултати се постижу бушилицама за дрво опремљеним завртњем за вођење. Завртањ за вођење олакшава бушење увлачењем бургије у предмет обраде.

Бушење метала

Да бисте спречили да бургија склизне на почетку бушења рупе, направите удубљење на месту бушења бушачем и чекићем. Поставите врх бургије у удубљење и започните бушење.

Користите мазиво за сечење када бушите метал. Изузетак представљају гвожђе и месинг, које треба бушити на суво.

▲ПАЖЊА: Прекомерним притискањем алата нећете убрзати бушење. Штавише, прекомерно притискање само оштећује врх бургије, смањује учинак алата и скраћује његов радни век.

▲ПАЖЊА: Држите алат чврсто и будите пажљиви у тренутку када бургија почне да пробија предмет обраде. У тренутку пробијања рупе, на алат/бургију делује огромна сила.

▲ПАЖЊА: Заглављена бургија се може једноставно уклонити подешавањем прекидача за окретање на ротацију у супротном смеру ради вађења. Међутим, алат може одскочити нагло ако га не држите чврсто.

▲ПАЖЊА: Увек причврстите предмете обраде степом или сличним уређајем за причвршћивање.

▲ПАЖЊА: Избегавајте бушење у материјалима за које сумњате да садрже скривене ексерне или друге предмете који би могли да доведу до савијања или лома бургије.

▲ПАЖЊА: Ако се алат користи без престанка док се уложак батерије не испразни, оставите га да се охлади 15 минута пре него што наставите рад са новом батеријом.

Повезивање врпцом (траком за везивање)

▲Безбедносна упозорења за коришћење на висини
Прочитајте сва безбедносна упозорења и упутства. Непоштовање упозорења и упутстава може изазвати тешке телесне повреде.

1. Увек држите алат привезан када радите на висини. Максимална дужина врпце је 2 м (6,5 стопа). Максимална дозвољена висина пада за врпцу (трака за везивање) не сме да премаши 2 м (6,5 стопа).
2. Користите само врпце које одговарају за овај тип алата и које су предвиђене за најмање 5,0 кг (11,0 фунти).
3. Не причвршћујте врпцу алата за себе нити за покретне компоненте. Причврстите врпцу алата за чврсту структуру која може да издржи силу коју алат производи када падне.

4. Уверите се да је врпца исправно причвршћена на оба краја пре коришћења.
5. Пре сваке употребе, уверите се да на алату и врпци не постоје оштећења и да исправно раде (укључујући тканину и шавове). Не користите их ако су оштећени или ако не раде исправно.
6. Немојте да обмотавате врпцу око оштрих или грубих ивица и не дозволите да дође у контакт са њима.
7. Причврстите други крај врпце ван радног поља тако да алат буде сигурно причвршћен у случају да падне.
8. Повежите врпцу тако да се алат помери даље од руковаоца у случају да падне. Испуштени алати се љуљају на врпци, што може да проузрокује повреде или губитак равнотеже.
9. Не користите у близини покретних делова или покренутих машина. У супротном постоји опасност од ударца или петљања.
10. Не преносите алат држећи га за додатни уређај или врпцу.
11. Преносите алат држећи га обема рукама само ако можете да одржавате равнотежу.
12. Не повезујте врпцу за алат тако да спречава исправан рад штитника, прекидача или блокада алата.
13. Обратите пажњу да се не упетљате врпцом.
14. Држите врпцу даље од области резања алата.
15. Користите вишенаменске карабинере и карабинере са закључавањем. Не користите једнонаменске карабинере са опругом.
16. У случају да испустите алат, он мора да се означи и повуче из употребе и морају да га прегледају фабрика Makita или овлашћени сервисни центар.

ОДРЖАВАЊЕ

ПАЖЊА: Пре него што почнете с прегледом или одржавањем алата, искључите алат и уклоните уложак батерије.

ОБАВЕШТЕЊЕ: Никад немојте да користите нафту, бензин, разређивач, алкохол и слична средства. Може доћи до губитка боје, деформације или оштећења.

БЕЗБЕДАН и ПОУЗДАН рад алата гарантујемо само ако поправке, свако друго одржавање или подешавање, препустите овлашћеном сервису компаније Makita или фабричком сервису, уз употребу оригиналних резервних делова компаније Makita.

ОПЦИОНИ ПРИБОР

ПАЖЊА: Ова опрема и прибор су предвиђени за употребу са алатом Makita описаним у овом упутству за употребу. Употреба друге опреме и прибора може да доведе до повреда. Користите делове прибора или опрему искључиво за предвиђену намену.

Да бисте добили више детаља у вези са овим прибором, обратите се локалном сервисном центру компаније Makita.

- Бургије
- Makita оригинална батерија и пуњач

НАПОМЕНА: Поједине ставке на листи могу бити укључене у садржај паковања алата као стандардна опрема. Оне се могу разликовати од земље до земље.

SPECIFICAȚII

Model:		DDA450	
Cutie de viteze		Turație înaltă	Turație joasă
Capacități de găurire	Oțel	13 mm	
	Lemn	Burghiu cilindric: 38 mm Burghiu cu alimentare automată: 50 mm Ferăstrău: 101 mm	Burghiu cilindric: 38 mm Burghiu cu alimentare automată: 65 mm Ferăstrău: 127 mm
Turație în gol		0 - 1.400 min ⁻¹	0 - 450 min ⁻¹
Lungime totală (cu cartușul acumulatorului BL1860B)		434 mm	
Tensiune nominală		18 V cc.	
Greutate netă		3,2 - 3,5 kg	

- Datorită programului nostru continuu de cercetare și dezvoltare, specificațiile pot fi modificate fără o notificare prealabilă.
- Specificațiile pot varia în funcție de țară.
- Greutatea poate diferi în funcție de accesoriu(ii), inclusiv cartușul acumulatorului. În tabel se prezintă combinația cea mai ușoară și cea mai grea, conform Procedurii EPTA 01/2014.

Cartușul acumulatorului și încărcătorul aplicabile

Cartușul acumulatorului	BL1815N / BL1820B / BL1830B / BL1840B / BL1850B / BL1860B
Încărcător	DC18RC / DC18RD / DC18RE / DC18SD / DC18SE / DC18SF / DC18SH

- Este posibil ca unele cartușe ale acumulatorilor și încărcătoare menționate mai sus să nu fie disponibile în funcție de regiunea dvs. de reședință.

⚠️ AVERTIZARE: Utilizați numai cartușele de acumulator și încărcătoarele enumerate mai sus. Utilizarea oricărui altor cartușe de acumulator și încărcătoare poate duce la rănire și/sau incendii.

Destinația de utilizare

Această mașină este destinată operațiunilor de găurire a lemnului, metalului și materialelor plastice.

Zgomot

Nivelul de zgomot normal ponderat A determinat în conformitate cu EN62841-2-1:

Nivel de presiune acustică (L_{pA}): 83 dB(A)

Nivel de putere acustică (L_{WA}): 94 dB (A)

Marjă de eroare (K): 3 dB(A)

NOTĂ: Valoarea (valorile) totală(e) a (ale) emisiilor de zgomot declarate a(u) fost măsurată(e) în conformitate cu o metodă de test standard și poate (pot) fi utilizată(e) pentru compararea unei unelte cu alta.

NOTĂ: Valoarea (valorile) totală(e) a (ale) emisiilor de zgomot declarate poate (pot) fi, de asemenea, utilizată(e) într-o evaluare preliminară a expunerii.

⚠️ AVERTIZARE: Purtați echipament de protecție pentru urechi.

⚠️ AVERTIZARE: Emisiile de zgomot în timpul utilizării efective a unelei electrice poate diferi de valoarea (valorile) nivelului declarat, în funcție de modul în care unealta este utilizată, în special ce fel de piesă este prelucrată.

⚠️ AVERTIZARE: Asigurați-vă că identificați măsurile de siguranță pentru a proteja operatorul, acestea fiind bazate pe o estimare a expunerii în condiții reale de utilizare (luând în considerare toate părțile ciclului de operare, precum timpii în care unealta a fost oprită, sau a funcționat în gol, pe lângă timpul de declanșare).

Vibrații

Valoarea totală a vibrațiilor (suma vectorilor tri-axiali) determinată conform EN62841-2-1:

Mod de lucru: găurirea metalului

Emisie de vibrații ($a_{h,D}$): 2,5 m/s² sau mai puțin

Marjă de eroare (K): 1,5 m/s²

NOTĂ: Valoarea (valorile) totală(e) a (ale) nivelului de vibrații declarat a (au) fost măsurată(e) în conformitate cu o metodă de test standard și poate (pot) fi utilizată(e) pentru compararea unei unelte cu alta.

NOTĂ: Valoarea (valorile) totală(e) a (ale) nivelului de vibrații declarat poate (pot) fi, de asemenea, utilizată(e) într-o evaluare preliminară a expunerii.

⚠️ AVERTIZARE: Nivelul de vibrații în timpul utilizării efective a unelei electrice poate diferi de valoarea (valorile) nivelului declarat, în funcție de modul în care unelta este utilizată, în special ce fel de piesă este prelucrată.

⚠️ AVERTIZARE: Asigurați-vă că identificați măsurile de siguranță pentru a proteja operatorul, acestea fiind bazate pe o estimare a expunerii în condiții reale de utilizare (luând în considerare toate părțile ciclului de operare, precum timpul în care unelta a fost oprită, sau a funcționat în gol, pe lângă timpul de declanșare).

Declarație de conformitate CE

Numai pentru țările europene

Declarația de conformitate CE este inclusă ca Anexa A în acest manual de instrucțiuni.

AVERTIZĂRI DE SIGURANȚĂ

Avertismente generale de siguranță pentru mașinile electrice

⚠️ AVERTIZARE: Citiți toate avertismentele privind siguranța, instrucțiunile, ilustrațiile și specificațiile furnizate cu această sculă electrică. Nerespectarea integrală a instrucțiunilor de mai jos poate cauza electrocutări, incendii și/sau vătămări corporale grave.

Păstrați toate avertismentele și instrucțiunile pentru consultări ulterioare.

Termenul „mașină electrică” din avertisări se referă la mașinile dumneavoastră electrice acționate de la rețea (prin cablu) sau cu acumulator (fără cablu).

Avertisări privind siguranța pentru mașina de găurit

Instrucțiuni privind siguranța pentru toate operațiunile

1. **Utilizați mânerle auxiliare.** Pierderea controlului poate produce accidentări.
2. **Țineți mașina electrică de suprafețele de prindere izolate atunci când efectuați o operațiune în timpul căreia accesoriul de tăiere poate intra în contact cu cabluri ascunse.** Accesoriul de tăiere care intră în contact cu un cablu aflat sub tensiune poate pune sub tensiune componentele metalice neizolate ale mașinii electrice și poate supune operatorul la șoc electric.

3. **Păstrați-vă echilibrul. Asigurați-vă că nu se află nicio persoană dedesubt atunci când folosiți mașina la înălțime.**
4. **Țineți bine mașina.**
5. **Nu atingeți piesele în mișcare.**
6. **Nu lăsați mașina în funcțiune. Folosiți mașina numai când o țineți cu mâinile.**
7. **Nu atingeți capul de burghiu sau piesa de lucru imediat după operațiune; acestea pot fi foarte fierbinți și pot cauza arsuri ale pielii.**
8. **Unele materiale conțin substanțe chimice care pot fi toxice. Aveți grijă să nu inhalați praful și evitați contactul cu pielea. Respectați instrucțiunile de siguranță ale furnizorului.**
9. **În cazul în care capul de burghiu nu poate fi slăbit cu toate că deschiideți fălcile, utilizați un clește pentru a-l trage afară.** Într-un astfel de caz, tragerea manuală a capului de burghiu poate duce la vătămare din cauza marginii ascuțite a acestuia.
10. **În cazul unei funcționări defectuoase a mașinii, precum sunete anormale, opriți imediat utilizarea acesteia și adresați-vă centrului local de service Makita pentru reparații.**
11. **Înainte de utilizare, asigurați-vă că nu există obiecte îngropate în pământ, cum ar fi țevi electrice, conducte de apă sau gaz.** În caz contrar, mașina le poate atinge, provocând șocuri electrice, scurgeri electrice sau de gaz.

Instrucțiuni privind siguranța atunci când utilizați capete lungi de burghiu

1. **Nu utilizați mașina la o viteză mai mare decât viteza maximă specificată a capului de burghiu.** La viteze mai mari, capul de burghiu se poate îndoi dacă se rotește liber fără să intre în contact cu piesa de prelucrat, provocând accidentări.
2. **Începeți întotdeauna să găuriți la o viteză redusă și ținând vârful capului de burghiu în contact cu piesa de prelucrat.** La viteze mai mari, capul de burghiu se poate îndoi dacă se rotește liber fără să intre în contact cu piesa de prelucrat, provocând accidentări.
3. **Aplicați presiune numai pe direcția capului de burghiu și nu aplicați presiune excesivă.** Capetele se pot îndoi provocând ruperi sau pierderea controlului, ducând la accidentări.

PĂSTRAȚI ACESTE INSTRUCȚIUNI.

⚠️ AVERTIZARE: NU permiteți comodității și familiarizării cu produsul (obținute prin utilizare repetată) să înlocuiască respectarea strictă a normelor de securitate pentru acest produs. **FOLOSIREA INCORECTĂ** sau nerespectarea normelor de securitate din acest manual de instrucțiuni poate provoca vătămări corporale grave.

Instrucțiuni importante privind siguranța pentru cartușul acumulatorului

1. Înainte de a folosi cartușul acumulatorului, citiți toate instrucțiunile și atenționările de pe (1) încărcătorul acumulatorului, (2) acumulator și (3) produsul care folosește acumulatorul.
2. Nu dezamblați și nu interveniți asupra cartușului acumulatorului. Acest lucru poate cauza incendii, căldură excesivă sau explozii.
3. Dacă timpul de funcționare s-a redus excesiv, întrerupeți imediat funcționarea. Aceasta poate prezenta risc de supraîncălzire, posibile arsuri și chiar explozie.
4. Dacă electrolitul pătrunde în ochi, clătiți bine ochii cu apă curată și consultați imediat un medic. Există risc de orbire.
5. Nu scurtcircuitați cartușul acumulatorului:
 - (1) Nu atingeți bornele cu niciun material conductor.
 - (2) Evitați depozitarea cartușului acumulatorului la un loc cu alte obiecte metalice cum ar fi cuie, monede etc.
 - (3) Nu expuneți cartușul acumulatorului la apă sau ploaie.

Un scurtcircuit al acumulatorului poate provoca un flux puternic de curent electric, supraîncălzire, posibile arsuri și chiar defectarea mașinii.

6. Nu depozitați și nu utilizați mașina și cartușul acumulatorului în locuri în care temperatura poate atinge sau depăși 50 °C (122 °F).
7. Nu incinerati cartușul acumulatorului chiar dacă acesta este grav deteriorat sau complet uzat. Cartușul acumulatorului poate exploda în foc.
8. Nu introduceți cuie în cartușul acumulatorului, nu îl tăiați, striviți, aruncați sau scăpați și nu îl loviți cu un obiect dur. Astfel de acțiuni pot provoca incendii, căldură excesivă sau explozii.
9. Nu utilizați un acumulator deteriorat.
10. Acumulatorii Li-Ion încorporați se supun cerințelor Legislației privind substanțele periculoase.

Pentru transporturi comerciale, efectuate de exemplu de către părți terțe, expeditori, trebuie respectate cerințele speciale de ambalare și etichetare.

Pentru pregătirea articolului care urmează să fie expediat, este necesară consultarea unui expert în materiale periculoase. Vă rugăm să respectați, de asemenea, reglementările naționale, care pot fi mai detaliate.

Izolați sau acoperiți contactele deschise și împachetați acumulatorul în așa fel încât să nu se poată mișca în ambalaj.
11. Atunci când eliminați la deșeuri cartușul acumulatorului, scoateți-l din mașină și eliminați-l într-un loc sigur. Respectați normele naționale privind eliminarea la deșeuri a acumulatorului.

12. Utilizați acumuloarele numai cu produsele specificate de Makita. Instalarea acumulatorilor în produse neconforme poate cauza incendii, căldură excesivă, explozii sau scurgeri de electrolit.
13. Dacă mașina nu este utilizată o perioadă lungă de timp, acumulatorul trebuie scos din acesta.
14. În timpul utilizării și după aceea, cartușul acumulatorului se poate încălzi, ceea ce poate cauza arsuri sau arsuri la temperaturi scăzute. Fiți atenți la manipularea cartușelor de acumulator atunci când sunt fierbinți.
15. Nu atingeți borna mașinii imediat după utilizare, întrucât se poate încălzi foarte tare și poate provoca arsuri.
16. Nu lăsați să pătrundă așchii, praf sau pământ în borne, în orificii și în canelurile cartușului acumulatorului. Acest lucru poate duce la o performanță slabă sau poate cauza defectarea mașinii sau a cartușului acumulatorului.
17. Nu utilizați cartușul acumulatorului în apropierea liniilor electrice de înaltă tensiune, cu excepția cazului în care mașina suportă utilizarea în apropierea liniilor electrice de înaltă tensiune. Acest lucru poate duce la funcționarea necorespunzătoare sau la defectarea mașinii sau a cartușului acumulatorului.
18. Țineți acumulatorul la distanță de copii.

PĂSTRAȚI ACESTE INSTRUCȚIUNI.

⚠ATENȚIE: Folosiți numai acumulatori Makita originali. Acumulatorii Makita care nu sunt originali și acumulatorii care au suferit modificări se pot aprinde, provocând incendii, leziuni corporale și daune. De asemenea, anulează garanția oferită de Makita pentru unele și încărcătorul Makita.

Sfaturi pentru obținerea unei durate maxime de exploatare a acumulatorului

1. Încărcați cartușul acumulatorului înainte de a se descărca complet. Întrerupeți întotdeauna funcționarea mașinii și încărcați cartușul acumulatorului când observați o scădere a puterii mașinii.
2. Nu reîncărcați niciodată un acumulator complet încărcat. Supraîncărcarea va scurta durata de exploatare a acumulatorului.
3. Încărcați cartușul acumulatorului la temperatura camerei, între 10 °C - 40 °C (50 °F - 104 °F). Lăsați un acumulator fierbinte să se răcească înainte de a-l încărca.
4. Atunci când nu utilizați cartușul acumulatorului, scoateți-l din mașină sau din încărcător.
5. Încărcați cartușul acumulatorului în cazul în care nu a fost utilizat pe o perioadă mai lungă (mai mult de șase luni).

DESCRIEREA FUNCȚIILOR

ATENȚIE: Asigurați-vă întotdeauna că mașina este oprită și cartușul acumulatorului este scos înainte de a ajusta sau verifica funcționarea mașinii.

Instalarea sau scoaterea cartușului acumulatorului

ATENȚIE: Opriti întotdeauna mașina înainte de montarea sau demontarea cartușului de acumulator.

ATENȚIE: Țineți ferm mașina și cartușul acumulatorului la montarea sau demontarea cartușului. În cazul în care nu țineți ferm mașina și cartușul de acumulator, acestea vă pot aluneca din mâini, rezultând defectarea mașinii și cartușului de acumulator, precum și în accidentări personale.

► Fig.1: 1. Indicator roșu 2. Buton 3. Cartușul acumulatorului

Pentru a scoate cartușul acumulatorului, glisați-l din mașină în timp ce glisați butonul de pe partea frontală a cartușului.

Pentru a instala cartușul acumulatorului, aliniați limba de pe cartușul acumulatorului cu canelura din carcasă și introduceți-l în locaș. Introduceți-l complet, până când se încliquează în locaș. Dacă puteți vedea indicatorul roșu din partea superioară a butonului, acesta nu este blocat complet.

ATENȚIE: Instalați întotdeauna cartușul acumulatorului complet, până când indicatorul roșu nu mai este vizibil. În caz contrar, acesta poate cădea accidental din mașină provocând rănirea dumneavoastră sau a persoanelor din jur.

ATENȚIE: Nu forțați cartușul acumulatorului la montare. Dacă acesta nu se glisează ușor, înseamnă că a fost introdus incorect.

Indicarea capacității rămase a acumulatorului

Numai pentru cartușe de acumulator cu indicator

► Fig.2: 1. Lămpi indicatoare 2. Buton de verificare

Apăsăți butonul de verificare de pe cartușul acumulatorului, astfel încât să se indice capacitățile rămase ale acumulatorului. Lămpile indicatorului vor lumina timp de câteva secunde.

Lămpi indicatoare			Capacitate rămasă
Iluminat	Oprit	Iluminare intermitentă	
■	□	▩	între 75% și 100%
■	■	▩	între 50% și 75%
■	■	□	între 25% și 50%
■	□	□	între 0% și 25%
▩	□	□	Încărcați acumulatorul.

Lămpi indicatoare			Capacitate rămasă
Iluminat	Oprit	Iluminare intermitentă	
■	□	▩	Este posibil ca acumulatorul să fie defect.
■	■	▩	

NOTĂ: În funcție de condițiile de utilizare și temperatura ambientală, indicația poate fi ușor diferită de capacitatea reală.

NOTĂ: Prima lampă indicatoare (extremitatea stângă) va lumina intermitent când sistemul de protecție a acumulatorului funcționează.

Sistem de protecție mașină/acumulator

Mașina este prevăzută cu un sistem de protecție mașină/acumulator. Acest sistem întrerupe automat alimentarea motorului pentru a extinde durata de funcționare a mașinii și acumulatorului. Mașina se va opri automat în timpul funcționării dacă mașina sau acumulatorul se află într-una din situațiile următoare:

Protecție la suprasarcină

Când mașina/acumulatorul este utilizat într-un mod care duce la un consum de curent anormal de ridicat, mașina se va opri automat. În această situație, opriți mașina și întrerupeți aplicația care a dus la suprasolicitarea mașinii. Apoi, reporniți mașina.

Protecție la supraîncălzire

Atunci când mașina/acumulatorul se supraîncălzește, mașina se oprește automat și lampa va lumina intermitent. În această situație, lăsați mașina să se răcească înainte de a o reporni.

Protecție la supradescărcare

Când capacitatea acumulatorului scade, unealta se oprește automat. În acest caz, scoateți acumulatorul din mașină și încărcați-l.

Aționarea întrerupătorului

ATENȚIE: Înainte de a introduce cartușul acumulatorului în mașină, verificați întotdeauna dacă butonul declanșator funcționează corect și revine în poziția „OFF” (oprit) când este eliberat.

► Fig.3: 1. Buton declanșator

Pentru a porni mașina, trageți butonul declanșator. Viteza mașinii poate fi crescută prin creșterea forței de apăsare pe butonul declanșator. Eliberați butonul declanșator pentru a opri mașina.

NOTĂ: Mașina se va opri automat în cazul în care trageți continuu butonul declanșator timp de aproximativ 6 minute.

Aprinderea lămpii frontale

⚠️ ATENȚIE: Nu priviți direct în raza sau în sursa de lumină.

► Fig.4: 1. Lampă

Apăsăți butonul declanșator pentru a aprinde lampa. Lampa continuă să lumineze atât timp cât butonul declanșator este apăsat. Lampa se stinge după aproximativ 10 secunde de la eliberarea butonului declanșator.

NOTĂ: În momentul în care mașina se supraîncălzește, aceasta se oprește automat și lampa începe să lumineze intermitent. În acest caz, eliberați butonul declanșator. Lampa se stinge în 1 minut(e).

NOTĂ: Folosiți o lavetă uscată pentru a șterge murdăria de pe lentila lămpii. Aveți grijă să nu zgăriați lentila lămpii deoarece, în caz contrar, iluminarea va fi redusă.

Funcția inversorului

⚠️ ATENȚIE: Verificați întotdeauna sensul de rotație înainte de utilizare.

⚠️ ATENȚIE: Folosiți inversorul numai după ce mașina s-a oprit complet. Schimbarea sensului de rotație înainte de oprirea mașinii poate avaria mașina.

⚠️ ATENȚIE: Atunci când nu folosiți mașina, deplasați întotdeauna pârghia inversorului în poziția neutră.

Această mașină dispune de un inversor pentru schimbarea sensului de rotație. Apăsăți pârghia inversorului în poziția A pentru rotire în sens orar sau în poziția B pentru rotire în sens antiorar.

Când pârghia de comutare de inversor se află în poziția neutră, pârghia de comutare nu poate fi trasă.

► Fig.5: 1. Pârghie de inversor

Schimbarea vitezei

NOTĂ: Folosiți butonul de schimbare a vitezei numai după ce mașina s-a oprit complet.

Schimbarea vitezei mașinii înainte de oprirea acesteia poate avaria mașina.

NOTĂ: Așezați întotdeauna butonul de schimbare a vitezei în poziția corectă. Dacă folosiți mașina cu butonul de schimbare a vitezei poziționat intermediar între poziția 1 și poziția 2, mașina poate fi avariata.

NOTĂ: Opriti mașina și comutați în modul de turație scăzută dacă turația scade considerabil în timpul funcționării în modul de turație ridicată. În caz contrar, motorul se poate supraîncălca și poate produce o avarie sau un incendiu.

Se pot preselecta două intervale de viteză cu ajutorul butonului de schimbare a vitezei.

Pentru a schimba viteză, rotiți butonul de schimbare a vitezei în așa fel încât indicatorul să indice poziția 1 pentru modul viteză scăzută sau poziția 2 pentru modul viteză ridicată.

► Fig.6: 1. Indicator 2. Buton de schimbare a vitezei

Funcție electronică

Frână electrică

Această mașină este echipată cu frână electrică. Dacă în repetate rânduri, mașina nu se oprește rapid după ce butonul declanșator este eliberat, solicitați repararea acesteia la un centru de service Makita.

Funcție de pornire lină

Această funcție permite pornirea corectă a uneltei prin limitarea cuplului de pornire.

ASAMBLARE

⚠️ ATENȚIE: Asigurați-vă întotdeauna că mașina este oprită și cartușul acumulatorului este scos înainte de a executa orice lucrări la mașină.

Instalarea mânerului lateral (mânerul auxiliar)

⚠️ ATENȚIE: Asigurați-vă că mânerul lateral este bine fixat înainte de a pune mașina în funcțiune.

Înșurubați bine mânerul lateral pe mașină. Mânerul lateral poate fi instalat pe oricare latură a mașinii, după cum este mai convenabil pentru dvs.

► Fig.7: 1. Mâner lateral

Instalarea suportului pentru cheie

(Diferă în funcție de țară)

⚠️ ATENȚIE: Asigurați-vă întotdeauna că suportul pentru cheie este bine fixat înainte de a pune mașina în funcțiune.

Înșurubați bine suportul pentru cheie pe mașină. Apoi puneți în poziție cheia pentru mandrină.

► Fig.8: 1. Suport pentru cheie 2. Șurub 3. Cheie pentru mandrină

Instalarea sau demontarea capului de burghiu

Pentru a instala capul de burghiu, introduceți-l în mandrină până la capăt. Strângeți manual mandrina. Introduceți cheia pentru mandrină în fiecare dintre cele trei orificii și strângeți rotind spre dreapta. Aveți grijă să strângeți uniform toate cele trei orificii ale mandrinei. Pentru a demonta capul de burghiu, răsuciți cheia pentru mandrină spre stânga într-un singur orificiu, apoi slăbiți mandrina manual.

► Fig.9: 1. Cheie pentru mandrină

După utilizare, puneți la loc cheia pentru mandrină în suportul pentru cheie al mașinii, așa cum se arată în imagine.

► Fig.10: 1. Suport pentru cheie

Agățătoare

⚠️ ATENȚIE: Scoateți întotdeauna acumulatorul atunci când agățați mașina de agățătoare.

⚠️ ATENȚIE: Nu agățați niciodată mașina în locații înalte sau pe suprafețe potențial instabile.

Cârligul este util pentru suspendarea temporară a mașinii. Pentru a folosi cârligul, ridicați pur și simplu cârligul până când se blochează în poziție deschisă. Când nu îl folosiți, coborâți întotdeauna cârligul până când se blochează în poziție închisă.

► Fig.11: 1. Agățătoare

► Fig.12

Conectarea curelei (cureaua de prindere) de cârlig

⚠️ ATENȚIE: Nu utilizați cârlige sau șuruburi deteriorate. Înainte de utilizare, verificați întotdeauna dacă acestea sunt deteriorate, fisurate sau deformate și asigurați-vă că șuruburile sunt strânse.

⚠️ ATENȚIE: Asigurați fixarea corespunzătoare a cârligului cu șuruburile.

⚠️ ATENȚIE: Nu instalați sau scoateți accesorii în timp ce suspendați mașina. Dacă șuruburile nu sunt strânse, mașina poate cădea.

⚠️ ATENȚIE: Utilizați întotdeauna o carabinieră de fixare (cu acționare multiplă și cu șuruburi) și asigurați-vă că ați atașat cureaua (cureaua de prindere) la porțiunea cu buclă dublă a agățătoarei. Atașarea necorespunzătoare poate cauza desprinderea mașinii din cârlig și poate duce la accidentări.

De asemenea, cârligul este destinat conectării curelei (cureaua de prindere). Asigurați-vă că cureaua (cureaua de prindere) este legată la porțiunea cu buclă dublă a cârligului.

► Fig. 13: 1. Porțiunea cu buclă dublă a cârligului
2. Curea (cureaua de prindere)
3. Carabinieră de fixare (cu acționare multiplă și cu șuruburi)

OPERAREA

⚠️ ATENȚIE: Introduceți întotdeauna complet cartușul acumulatorului până când se blochează în locaș. Dacă puteți vedea indicatorul roșu din partea superioară a butonului, acesta nu este blocat complet. Introduceți-l complet, până când indicatorul roșu nu mai este vizibil. În caz contrar, acesta poate cădea accidental din mașină provocând rănirea dumneavoastră sau a persoanelor din jur.

⚠️ ATENȚIE: Când viteza scade extrem de mult, reduceți sarcina sau opriți mașina, pentru a preveni defectarea acesteia.

⚠️ ATENȚIE: Țineți ferm unealta atunci când o utilizați.

Unealtă-suport

⚠️ ATENȚIE: Aceasta este o unealtă puternică. Unealta funcționează cu un cuplu ridicat și este important ca aceasta să fie bine ținută și fixată.

Apucați mânerul cu o mână și mânerul din față cu cealaltă mână.

► Fig.14: 1. Mâner față 2. Mâner

Găurirea

Găurirea lemnului

Când găuriți lemn, obțineți cele mai bune rezultate cu burghiile de lemn dotate cu șurub de ghidaj. Șurubul de ghidare ușurează găurirea trăgând capul de burghiu în piesa de prelucrat.

Găurirea metalului

Pentru a preveni alunecarea capului de burghiu atunci când începeți găurirea, realizați o adâncitură cu un dorn și un ciocan în punctul în care se va găuri. Așezați vârful capului de burghiu în adâncitură și începeți găurirea. Folosiți un lubrifiant de tăiere atunci când găuriți metale. Excepție fac fierul și alama, care trebuie găurite pe uscat.

⚠️ ATENȚIE: Aplicarea unei forțe excesive asupra mașinii nu va grăbi operațiunea de găurire. De fapt, presiunea excesivă nu va face decât să deterioreze burghiul, reducând performanțele mașinii și durata de viață a acesteia.

⚠️ ATENȚIE: Țineți mașina ferm și procedați cu atenție atunci când capul de burghiu trece prin piesa de prelucrat. Asupra mașinii/capului de burghiu este exercitată o forță enormă în momentul în care gaura este străpunsă.

⚠️ ATENȚIE: Un cap de burghiu blocat se poate debloca prin simpla setare a inversorului pentru rotația în sens invers, pentru retragere. Totuși, mașina se poate retrage brusc dacă nu o țineți ferm.

⚠️ ATENȚIE: Piesele trebuie fixate întotdeauna cu o menhină sau cu un alt dispozitiv similar de fixare.

⚠️ ATENȚIE: Evitați găurirea materialelor pe care le suspectați că ar conține cuie ascunse sau alte elemente care pot cauza înțepenirea capului de burghiu sau ruperea acestuia.

⚠️ ATENȚIE: Dacă mașina este folosită continuu până la descărcarea cartușului acumulatorului, lăsați mașina în repaus timp de 15 minute înainte de a continua cu un acumulator nou.

Conexiune curea (curea de prindere)

⚠️ Avertismente de siguranță specifice utilizării la înălțime

Citiți toate avertismentele de siguranță și toate instrucțiunile. Nerespectarea avertizărilor și instrucțiunilor poate conduce la vătămări grave.

1. Atașați întotdeauna uneltei o curea atunci când lucrați „la înălțime”. Lungimea maximă a curelei este de 2 m (6,5 ft). Înălțimea de cădere maximă admisă a curelei (curea de prindere) nu trebuie să depășească 2 m (6,5 ft).
2. Utilizați doar curele adecvate pentru acest tip de unealtă și aprobate pentru a susține o greutate de cel puțin 5,0 kg (11,0 lbs).
3. Nu ancorați curea uneltei de corpul dvs. sau de componente mobile. Ancorați curea uneltei de o structură rigidă care să poată susține forțele unei unelte aflate în cădere.
4. Asigurați-vă că ați fixat bine curea la fiecare capăt înainte de utilizare.
5. Inspectați unealta și curea înainte de fiecare utilizare pentru a identifica potențialele defecțiuni și dacă funcționarea este corectă (incluzând materialele textile și cusăturile). Nu continuați dacă observați defecțiuni sau dacă nu funcționează corespunzător.
6. Nu înfășurați curelele în jurul dvs. și nu le permiteți să intre în contact cu muchii ascuțiți sau aspre.
7. Prindeți fiecare capăt al curelei în afara zonei de lucru, pentru a putea fixa bine o unealtă în cădere.
8. Atașați curea astfel încât unealta să se distanțeze de operator în cazul în care cade. Unelele căzute vor rămâne agățate de curea, ceea ce ar putea provoca vătămări sau pierderea echilibrului.
9. Nu utilizați în apropierea pieselor în mișcare sau a utilajelor în funcțiune. În caz contrar, pot apărea accidente sau pericole.
10. Nu țineți unealta de dispozitivul de atașare sau de curea.
11. Mutăți unealta dintr-o mână în alta doar dacă sunteți într-o poziție echilibrată.
12. Nu atașați curelele de unealtă într-un mod care poate împiedica funcționarea corespunzătoare a apărătoarelor, a butoanelor sau pârghiilor de deblocare.
13. Evitați încurcarea în curea.
14. Țineți curea la distanță de zona de tăiere a uneltei.
15. Utilizați carabine acționate multiplu și cu șuruburi. Nu utilizați carabine cu o singură acționare și cu arc.
16. În cazul în care unealta cade de la înălțime, trebuie etichetată și scoasă din funcțiune și trebuie inspectată de o fabrică Makita sau de un centru autorizat de service.

ÎNȚREȚINERE

⚠️ ATENȚIE: Asigurați-vă întotdeauna că mașina este oprită și cartușul acumulatorului scos înainte de a executa lucrările de inspecție și întreținere.

NOTĂ: Nu utilizați niciodată gazolină, benzină, diluant, alcool sau alte substanțe asemănătoare. În caz contrar, pot rezulta decolorări, deformări sau fisuri.

Pentru a menține SIGURANȚA și FIABILITATEA produsului, reparațiile și orice alte lucrări de întreținere sau reglare trebuie executate de centre de service Makita autorizate sau proprii, folosind întotdeauna piese de schimb Makita.

ACCESORII OPȚIONALE

⚠️ ATENȚIE: Folosiți accesoriile sau piesele auxiliare recomandate pentru mașina dumneavoastră Makita în acest manual. Utilizarea oricăror alte accesorii sau piese auxiliare poate prezenta risc de vătămare corporală. Utilizați accesoriile și piesele auxiliare numai în scopul destinat.

Dacă aveți nevoie de asistență sau de mai multe detalii referitoare la aceste accesorii, adresați-vă centrului local de service Makita.

- Capete de burghiu
- Acumulator și încărcător original Makita

NOTĂ: Unele articole din listă pot fi incluse ca accesorii standard în ambalajul de scule. Acestea pot diferi în funcție de țară.

ТЕХНІЧНІ ХАРАКТЕРИСТИКИ

Модель:		DDA450	
Зубчасте колесо перемикачів коробки швидкостей		Висока	Низька
Максимальний діаметр свердління	Сталь	13 мм	
	Деревина	Гвинтове свердло: 38 мм Свердло з автоматичною подачею: 50 мм Кільцева пила: 101 мм	Гвинтове свердло: 38 мм Свердло з автоматичною подачею: 65 мм Кільцева пила: 127 мм
Частота обертання в режимі холостого ходу		0 – 1 400 хв ⁻¹	0 – 450 хв ⁻¹
Загальна довжина (з касетою з акумулятором BL1860B)		434 мм	
Номінальна напруга		18 В пост. струму	
Маса нетто		3,2 – 3,5 кг	

- Оскільки наша програма наукових досліджень і розробок триває безперервно, наведені тут технічні характеристики можуть бути змінені без попередження.
- У різних країнах технічні характеристики можуть бути різними.
- Вага може відрізнятись залежно від допоміжного обладнання, наприклад касети з акумулятором. Найлегші та найважчі комплекти, відповідно до стандарту ЕРТА (Європейська асоціація виробників електроінструменту) від січня 01/2014 року, представлено в таблиці.

Застосовна касета з акумулятором і зарядний пристрій

Касета з акумулятором	BL1815N / BL1820B / BL1830B / BL1840B / BL1850B / BL1860B
Зарядний пристрій	DC18RC / DC18RD / DC18RE / DC18SD / DC18SE / DC18SF / DC18SH

- Деякі касети з акумулятором і зарядні пристрої, які вказано вище, можуть бути недоступними залежно від вашого регіону або місця перебування.

⚠ ПОПЕРЕДЖЕННЯ: Використовуйте лише касети з акумулятором і зарядні пристрої, перелічені вище. Використання будь-яких інших касет з акумулятором і зарядних пристроїв може призвести до травмування й/або пожежі.

Призначення

Інструмент призначено для свердління деревини, металу й пластмас.

Шум

Рівень шуму за шкалою А в типовому виконанні, визначений відповідно до стандарту EN62841-2-1:
Рівень звукового тиску (L_{pA}): 83 дБ (А)
Рівень звукової потужності (L_{WA}): 94 дБ (А)
Похибка (К): 3 дБ (А)

ПРИМІТКА: Заявлене значення шуму було виміряно відповідно до стандартних методів тестування й може використовуватися для порівняння одного інструмента з іншим.

ПРИМІТКА: Заявлене значення шуму може також використовуватися для попереднього оцінювання впливу.

⚠ ПОПЕРЕДЖЕННЯ: Користуйтеся засобами захисту органів слуху.

⚠ ПОПЕРЕДЖЕННЯ: Залежно від умов використання рівень шуму під час фактичної роботи електроінструмента може відрізнятися від заявленого значення вібрації; особливо сильно на це впливає тип деталі, що оброблюється.

⚠ ПОПЕРЕДЖЕННЯ: Забезпечте належні запобіжні заходи для захисту оператора, що відповідатимуть умовам використання інструмента (слід брати до уваги всі складові робочого циклу, як-от час, коли інструмент вимкнено та коли він починає працювати на холостому ході під час запуску).

Вібрація

Загальна величина вібрації (векторна сума трьох напрямків) визначена згідно з EN62841-2-1:
Режим роботи: свердління металу
Вібрація ($a_{h,D}$): 2,5 м/с² або менше
Похибка (К): 1,5 м/с²

ПРИМІТКА: Заявлене загальне значення вібрації було виміряно відповідно до стандартних методів тестування й може використовуватися для порівняння одного інструмента з іншим.

ПРИМІТКА: Заявлене загальне значення вібрації може також використовуватися для попереднього оцінювання впливу.

⚠ ПОПЕРЕДЖЕННЯ: Залежно від умов використання вібрація під час фактичної роботи електроінструмента може відрізнятися від заявленого значення вібрації; особливо сильно на це впливає тип деталі, що оброблюється.

⚠ ПОПЕРЕДЖЕННЯ: Забезпечте належні запобіжні заходи для захисту оператора, що відповідатимуть умовам використання інструмента (слід брати до уваги всі складові робочого циклу, як-от час, коли інструмент вимкнено та коли він починає працювати на холостому ході під час запуску).

Декларація про відповідність стандартам ЄС

Тільки для країн Європи

Декларацію про відповідність стандартам ЄС наведено в Додатку А до цієї інструкції з експлуатації.

ПОПЕРЕДЖЕННЯ ПРО ДОТРИМАННЯ ТЕХНІКИ БЕЗПЕКИ

Загальні застереження щодо техніки безпеки при роботі з електроінструментами

⚠ ПОПЕРЕДЖЕННЯ: Уважно ознайомтеся з усіма попередженнями про дотримання правил техніки безпеки, інструкціями, ілюстраціями та технічними характеристиками, що стосуються цього електроінструмента. Невиконання будь-яких інструкцій, перелічених нижче, може призвести до ураження електричним струмом, пожежі та/або тяжких травм.

Збережіть усі інструкції з техніки безпеки та експлуатації на майбутнє.

Термін «електроінструмент», зазначений у інструкції з техніки безпеки, стосується електроінструмента, який функціонує від електромережі (електроінструмент з кабелем живлення), або електроінструмента з живленням від батареї (безпроводний електроінструмент).

Попередження про необхідну обережність під час роботи з бездротовим дрилем

Інструкції з техніки безпеки під час виконання робіт

1. Використовуйте додаткові ручки. Утрата контролю над інструментом може призвести до травмування.
2. Тримайте електроінструмент за спеціальні ізольовані поверхні під час роботи в місцях, де різальне приладдя може зачепити приховану електропроводку. Торкання різальним приладдям дроту під напругою може призвести до передавання напруги до оголених металевих частин інструмента й до ураження оператора електричним струмом.
3. Обов'язково забезпечте надійну опору. При виконанні робіт з інструментом на висоті переконайтеся, що внизу нікого немає.
4. Тримайте інструмент міцно.
5. Не торкайтеся руками деталей, що обертаються.
6. Не залишайте інструмент, який працює. Працюйте з інструментом тільки тоді, коли тримаєте його в руках.
7. Не торкайтеся свердла або оброблюваної деталі одразу після свердління; вони можуть бути дуже гарячими й спричинити опіки шкіри.
8. Деякі матеріали мають у своєму складі токсичні хімічні речовини. Будьте обережні, щоб не допустити вдихання пилу та його контакту зі шкірою. Дотримуйтеся правил техніки безпеки виробника матеріалу.
9. Якщо свердло не можна відпустити навіть за відкритих лещат, витягніть його за допомогою плоскогубців. Витягування свердла руками в такому випадку може призвести до поранення його гострим краєм.
10. У разі появи проблем у роботі інструмента, наприклад незвичних звуків, негайно припиніть роботу та зверніться до місцевого сервісного центру компанії Makita для проведення ремонту.
11. Перед початком роботи переконайтеся в тому, що під поверхню землі не проходять лінії електропостачання, водопроводи або газопроводи. Контакт інструмента з такими об'єктами призведе до удару електричним струмом, витoku струму або газу.

Інструкції з техніки безпеки під час використання подовжених свердел

1. Заборонено працювати на робочій частоті, яка перевищує максимальне номінальне значення для свердла. На вищих робочих частотах свердло може зігнути, якщо обертається вільно без контакту із заготівкою, що може призвести до травми.
2. Завжди починайте свердління на низькій робочій частоті, притиснувши кінець свердла до заготівки. На вищих робочих частотах свердло може зігнути, якщо обертається вільно без контакту із заготівкою, що може призвести до травми.
3. Тисніть на інструмент тільки за віссю свердла й не притискайте його занадто сильно. Свердла можуть зігнути, що призведе до поломки або втрати контролю – це може стати причиною травми.

ЗБЕРІГАЙТЕ ЦІ ВКАЗІВКИ.

▲ПОПЕРЕДЖЕННЯ: НИКОЛИ НЕ втрачайте пильності та не розслабляйтеся під час користування виробом (що можливо при частому використанні); обов'язково строго дотримуйтеся відповідних правил безпеки. **НЕНАЛЕЖНЕ ВИКОРИСТАННЯ** або недотримання правил безпеки, викладених у цій інструкції з експлуатації, може призвести до серйозних травм.

Важливі інструкції з безпеки для касети з акумулятором

1. Перед тим як користуватися касетою з акумулятором, слід прочитати всі інструкції та застережні знаки щодо (1) зарядного пристрою акумулятора, (2) акумулятора та (3) виробів, що працюють від акумулятора.
2. Не розбирайте касету з акумулятором і не змінюйте її конструкцію. Це може призвести до пожежі, перегріву або вибуху.
3. Якщо період роботи дуже покоротшав, слід негайно припинити користування. Це може призвести до виникнення ризику перегріву, опіку та навіть вибуху.
4. У разі потраплення електроліту в очі слід промити їх чистою водою та негайно звернутися до лікаря. Це може призвести до втрати зору.
5. Не закоротіть касету з акумулятором.
 - (1) Не слід торкатися клею будь-яким струмопровідним матеріалом.
 - (2) Не слід зберігати касету з акумулятором у ємності з іншими металевими предметами, такими як цвяхи, монети тощо.
 - (3) Не залишайте касету з акумулятором під дощем, запобігайте контакту з водою.Коротке замикання може призвести до появи значного струму, перегріву, можливих опіків та навіть виходу з ладу.
6. Не слід зберігати й використовувати інструмент і касету з акумулятором у місцях, де температура може сягнути чи перевищити 50 °C (122 °F).
7. Не слід спалювати касету з акумулятором, навіть якщо вона була неодноразово пошкоджена або повністю спрацьована. Касета з акумулятором може вибухнути у вогні.
8. Заборонено забивати цвяхи в касету з акумулятором, різати, ламати, кидати, впускати касету з акумулятором або вдаряти її твердим предметом. Це може призвести до пожежі, перегріву або вибуху.
9. Не слід використовувати пошкоджений акумулятор.
10. Літій-іонні акумулятори, що містяться в інструменті, мають відповідати вимогам законів про небезпечні товари.

Під час транспортування за допомогою комерційних перевезень, наприклад із залучанням третьої сторони та експедиторів, необхідно дотримуватись особливих вимог, вказаних на пакуванні й у маркуванні. Під час підготування позиції до відправлення необхідно проконсультуватись зі спеціалістом з небезпечних матеріалів. Крім того, слід виконувати більш докладні національні настанови, якщо такі є. Заклейте відкриті контакти стрічкою або заховайте їх і запакуйте акумулятор таким чином, щоб він не міг рухатися в пакуванні.

11. Для утилізації касети з акумулятором витягніть її з інструмента та утилізуйте безпечним способом. Дотримуйтеся норм місцевого законодавства щодо утилізації акумуляторів.
12. Використовуйте акумулятори лише з виробами, указаними компанією Makita. Установлення акумуляторів у невідповідні вироби може призвести до пожежі, надмірного нагрівання, вибуху чи витоку електроліту.
13. Якщо інструментом не користуватимуться протягом тривалого періоду часу, вийміть акумулятор з інструмента.
14. Під час і після використання касета з акумулятором може нагріватися, що може стати причиною опіків або низькотемпературних опіків. Будьте обережні під час поводження з гарячою касетою з акумулятором.
15. Не торкайтеся контактів інструмента відразу після використання, оскільки він може бути досить гарячим, щоб викликати опіки.
16. Не допускайте, щоб уламки, пил або земля прилипали до контактів, отворів і пазів на касеті з акумулятором. Це може привести до зниження експлуатаційних параметрів, поломки інструмента або касети з акумулятором.
17. Якщо інструмент не розраховано на використання поблизу високовольтних ліній електропередач, не використовуйте касету з акумулятором поблизу високовольтних ліній електропередач. Це може призвести до несправності, поломки інструмента або касети з акумулятором.
18. Тримайте акумулятор у недоступному для дітей місці.

ЗБЕРІГАЙТЕ ЦІ ВКАЗІВКИ.

▲ОБЕРЕЖНО: Використовуйте тільки акумулятори Makita. Використання акумуляторів, інших ніж оригінальні акумулятори Makita, або акумуляторів, конструкцію яких було змінено, може призвести до вибуху акумулятора і спричинити пожежу, травму або пошкодження. У зв'язку з цим також буде анульовано гарантію Makita на інструмент Makita і на зарядний пристрій.

Поради з забезпечення максимального строку експлуатації акумулятора

1. Касету з акумулятором слід заряджати до того, як він розрядиться повністю. Завжди слід зупиняти роботу інструмента та зарядити акумулятор, якщо ви помітили зменшення потужності інструмента.
2. Ніколи не слід заряджати повторно повністю заряджену касету з акумулятором. Перезарядження скорочує строк експлуатації акумулятора.
3. Заряджайте касету з акумулятором при кімнатній температурі 10°C - 40°C (50°F - 104°F). Перед тим як заряджати касету з акумулятором, слід зачекати, доки вона охолоне.
4. Коли касета з акумулятором не використовується, виймайте її з інструмента або зарядного пристрою.
5. Якщо касета з акумулятором не використовувалася тривалий час (понад шість місяців), її слід зарядити.

ОПИС РОБОТИ

⚠ ОБЕРЕЖНО: Обов'язково переконайтеся, що прилад вимкнено, а касету з акумулятором знято, перед регулюванням або перевіркою функціонування інструмента.

Встановлення та зняття касети з акумулятором

⚠ ОБЕРЕЖНО: Завжди вимикайте інструмент перед встановленням або зняттям касети з акумулятором.

⚠ ОБЕРЕЖНО: Під час встановлення або зняття касети з акумулятором слід міцно тримати інструмент та касету з акумулятором. Якщо ви утримуватимете інструмент та касету з акумулятором недостатньо міцно, вони можуть вислизнути з рук, що може призвести до пошкодження інструмента та касети з акумулятором або може спричинити травми.

► **Рис.1:** 1. Червоний індикатор 2. Кнопка 3. Касета з акумулятором

Щоб зняти касету з акумулятором, слід витягнути її з інструмента, натиснувши на кнопку в передній частині касети.

Щоб установити касету з акумулятором, слід сумістити виступ на касеті з акумулятором із пазом у корпусі та вставити касету на місце. Її необхідно вставити повністю, аж доки не почуєте клацання. Якщо на верхній частині кнопки помітний червоний індикатор, це означає, що касета з акумулятором установлена не до кінця.

⚠ ОБЕРЕЖНО: Завжди вставляйте касету з акумулятором повністю, щоб червоного індикатора не було видно. Якщо цього не зробити, касета може випадково випасти з інструмента та завдати травми вам або людям, що знаходяться поряд.

⚠ ОБЕРЕЖНО: Не встановлюйте касету з акумулятором із зусиллям. Якщо касета не вставляється легко, то це означає, що ви її неправильно вставляєте.

Відображення залишкового заряду акумулятора

Тільки для касет з акумулятором, які мають індикатори

► **Рис.2:** 1. Індикаторні лампи 2. Кнопка перевірки

Натисніть кнопку перевірки на касеті з акумулятором для відображення залишкового ресурсу акумулятора. Індикаторні лампи загоряться на кілька секунд.

Індикаторні лампи			Залишковий ресурс
Горить	Вимк.	Блимає	
■	□	▧	від 75 до 100%
■ ■ ■ ■	■ ■ ■ ■	■ ■ ■ ■	від 50 до 75%
■ ■ ■ ■	□ □ □ □	□ □ □ □	від 25 до 50%
■ □ □ □	□ □ □ □	□ □ □ □	від 0 до 25%
▧ □ □ □	□ □ □ □	□ □ □ □	Зарядіть акумулятор.
■ ■ □ □	□ □ □ □	□ □ □ □	Можливо, акумулятор вийшов з ладу.
□ □ ■ ■	□ □ □ □	■ ■ ■ ■	

ПРИМІТКА: Залежно від умов використання та температури оточуючого середовища показання можуть незначним чином відрізнитися від дійсного ресурсу.

ПРИМІТКА: Перша (дальня ліва) індикаторна лампа блимає під час роботи захисної системи акумулятора.

Система захисту інструмента/акумулятора

Інструмент оснащено системою захисту інструмента/акумулятора. Ця система автоматично вимикає живлення двигуна з метою збільшення терміну служби інструмента та акумулятора. Інструмент автоматично зупиняється під час роботи, якщо інструмент або акумулятор перебувають у зазначених нижче умовах.

Захист від перевантаження

Якщо інструмент або акумулятор використовуються в умовах надмірного споживання струму, він автоматично зупиняється. У такому разі вимкніть інструмент і припиніть роботу, під час виконання якої інструмент зазнав перевантаження. Щоб перезапустити інструмент, увімкніть його знову.

Захист від перегрівання

Якщо інструмент/акумулятор перегрівся, інструмент автоматично вимикається, а індикатор починає блимати. У такій ситуації зачекайте, доки інструмент охолоне, перш ніж знову його увімкнете.

Захист від надмірного розрядження

Коли заряд акумулятора стає недостатнім для подальшої роботи, інструмент автоматично зупиняється. У такому випадку вийміть акумулятор з інструмента та зарядіть його.

Дія вимикача

⚠ ОБЕРЕЖНО: Перед тим як вставляти касету з акумулятором в інструмент, обов'язково перевірте, чи курок вимикача спрацював належним чином та повертається у положення «ВИМК.», коли його відпускають.

► Рис.3: 1. Курок вимикача

Щоб запустити інструмент, натисніть курок вимикача. Для підвищення робочої швидкості інструмента натисніть курок вимикача сильніше. Відпустіть курок вимикача, щоб зупинити роботу.

ПРИМІТКА: Інструмент автоматично зупиняється у разі натискання на курок вимикача упродовж приблизно 6 хвилин.

Увімкнення переднього підсвічування

⚠ ОБЕРЕЖНО: Не дивіться на світло або безпосередньо на джерело світла.

► Рис.4: 1. Лампа

Натисніть на курок вимикача, щоб увімкнути підсвічування. Лампа світиться, поки курок вимикача натиснуто. Підсвічування згасне приблизно за 10 секунд після відпускання курка вимикача.

ПРИМІТКА: Якщо інструмент перегрівся, він автоматично вимикається і лампа підсвічування починає блимати. У такому випадку відпустіть курок вимикача. Лампа підсвічування гасне через 1 хвилину.

ПРИМІТКА: Для очищення скла лампи підсвічування протріть її сухою тканиною. Будьте обережні, щоб не подряпати скло лампи підсвічування, тому що це погіршить освітлювання.

Робота перемикача реверсу

⚠ ОБЕРЕЖНО: Перед початком роботи обов'язково перевіряйте напрям обертання.

⚠ ОБЕРЕЖНО: Перемикач реверсу можна використовувати тільки після повної зупинки інструмента. Зміна напрямку обертання до повної зупинки інструмента може призвести до його пошкодження.

⚠ ОБЕРЕЖНО: Коли інструмент не використовується, важіль перемикача реверсу повинен знаходитися в нейтральному положенні.

Цей інструмент обладнано перемикачем реверсу для зміни напрямку обертання. Для обертання за годинниковою стрілкою пересуньте важіль перемикача реверсу в положення А, проти годинникової стрілки — у положення В.

Якщо важіль перемикача реверсу знаходиться в нейтральному положенні, важіль вимикача потягнути неможливо.

► Рис.5: 1. Важіль перемикача реверсу

Зміна швидкості

УВАГА: Використовуйте ручку зміни швидкості тільки після повної зупинки інструмента. Зміна швидкості обертання до повної зупинки інструмента може привести до його пошкодження.

УВАГА: Завжди встановлюйте ручку зміни швидкості в правильне положення до кінця. Якщо під час роботи з інструментом ручка зміни швидкості знаходиться у проміжному положенні між 1 і 2, це може привести до пошкодження інструмента.

УВАГА: У разі значного зниження частоти обертання в режимі високої частоти обертання зупиніть інструмент і перемикніть його в режим низької частоти обертання. Недотримання цієї вимоги може призвести до перевантаження двигуна й призвести до несправності чи пожежі.

За допомогою ручки зміни швидкості можна попередньо вибрати два діапазони швидкості. Для зміни швидкості поверніть кнопку регулювання частоти обертання, сумістивши покажчик із відміткою 1 для вибору режиму низької частоти обертання або з відміткою 2 для вибору режиму високої частоти обертання.

► Рис.6: 1. Покажчик 2. Кнопка регулювання швидкості

Функції електронного обладнання

Електричне гальмо

Цей інструмент обладнано електричним гальмом. Якщо після відпускання курка вимикача не відбувається швидкого припинення роботи інструмента, зверніться до сервісного центру Makita для обслуговування інструмента.

Функція плавного запуску

Ця функція також забезпечує плавний запуск інструмента, обмежуючи обертальний момент під час пуску.

ЗБОРКА

⚠ ОБЕРЕЖНО: Обов'язково переконайтеся, що прилад вимкнено, а касету з акумулятором знято, перш ніж проводити будь-які роботи з інструментом.

Установка бокової рукоятки (допоміжна рукоятка)

⚠ ОБЕРЕЖНО: Перед початком роботи необхідно перевірити надійність кріплення бокової рукоятки.

Надійно пригвинтіть бокову рукоятку до інструмента. Для зручності бокову рукоятку можна встановлювати на будь-якій стороні інструмента.

► Рис.7: 1. Бокова рукоятка

Установлення тримача ключа

(залежно від країни)

⚠ ОБЕРЕЖНО: Перед початком роботи необхідно перевірити надійність кріплення тримача ключа.

Надійно прикрутіть тримач ключа до інструмента. Потім вставте ключ патрона у відповідне положення.

► Рис.8: 1. Тримач ключа 2. Гвинт 3. Ключ патрона

Установлення й зняття свердла

Щоб установити свердло, вставте його в патрон до упору. Затягніть патрон вручну. Вставте ключ патрона по черзі в кожен із трьох отворів і затягніть за годинниковою стрілкою. Затягування має бути рівномірним у всіх трьох отворах патрона.

Щоб зняти свердло, поверніть ключ патрона проти годинникової стрілки лише в одному з отворів, а потім вручну відкрутіть патрон.

► Рис.9: 1. Ключ патрона

Після використання ключ патрона слід помістити в тримач ключа в інструменті, як показано на рисунку.

► Рис.10: 1. Тримач ключа

Скоба

⚠ ОБЕРЕЖНО: Підвішуючи інструмент за допомогою пристрою для підвішування, завжди знімайте акумулятор.

⚠ ОБЕРЕЖНО: Ніколи не підвішуйте інструмент за скобу високо й не залишайте його на потенційно нестійкій поверхні.

Скобу зручно використовувати для тимчасового підвішування інструмента.

Щоб скористатися скобою, просто підніміть її, щоб вона стала у відкрите положення з клацанням. Коли скоба не використовується, слід завжди опускати її в закрите положення з клацанням.

► Рис.11: 1. Скоба

► Рис.12

Під'єднання стропа (страхувального ремня) до гачка

⚠ ОБЕРЕЖНО: Не використовуйте пошкоджені гачок і гвинти. Перед початком роботи проведіть огляд і переконайтеся в тому, що на інструменті відсутні пошкодження, тріщини або деформації, а також у тому, що гвинти затягнуто.

⚠ ОБЕРЕЖНО: Переконайтеся в тому, що гачок надійно затягнуто гвинтами.

⚠ ОБЕРЕЖНО: Не встановлюйте та не виймайте будь-які аксесуари, якщо інструмент підвішений за гачок. Інструмент може впасти, якщо гвинти не затягнуто.

⚠ ОБЕРЕЖНО: Завжди використовуйте муфтований карабін (універсальний та з гвинтовим затискачем) і прикріплюйте строп (страхувальний ремінь) до частини гачка з подвійною петлею. Неправильне прикріплення може призвести до падіння інструмента з гачка й травми.

Гачок також використовується для під'єднання стропа (страхувального ремня). Під'єднайте строп (страхувальний ремінь) до частини гачка з подвійною петлею.

► Рис.13: 1. Частина гачка з подвійною петлею
2. Строп (страхувальний ремінь)
3. Муфтований карабін (універсальний і з гвинтовим затискачем)

РОБОТА

⚠ ОБЕРЕЖНО: Обов'язково вставляйте касету з акумулятором до кінця з фіксацією на місці. Якщо на верхній частині кнопки помітний червоний індикатор, це означає, що касета з акумулятором зафіксована не до кінця. Вставте касету повністю, щоб червоний індикатор зник. Якщо цього не зробити, касета може випадково випасти з інструмента та завдати травми вам або людям, що знаходяться поряд.

⚠ ОБЕРЕЖНО: Коли швидкість сильно знижується, слід зменшити навантаження або зупинити інструмент, щоб уникнути його пошкодження.

⚠ ОБЕРЕЖНО: Під час роботи міцно тримайте інструмент.

Тримання інструмента

⚠ ОБЕРЕЖНО: Цей інструмент відрізняється високою потужністю. Він розвиває високий крутний момент, у зв'язку з чим цей інструмент слід міцно утримувати та правильно закріплювати.

Візьміться однією рукою за ручку, а другою рукою – за передню рукоятку.

► Рис.14: 1. Передня рукоятка 2. Рукоятка

Свердління

Свердління деревини

Під час свердління деревини найліпші результати можна отримати, використовуючи свердла для деревини, обладнані напрямним гвинтом. Напрямний гвинт полегшує свердління тим, що він втягує свердло в оброблювану деталь.

Свердління металу

Щоб запобігти зісковзуванню свердла на початку свердління отвору, місце свердління необхідно накернити за допомогою керна та молотка. Встановіть кінчик свердла в накернене місце та почніть свердління.

Під час свердління металу слід використовувати мастильно-охолоджувальну рідину. Винятком є чавун та талун, які свердлять насухо.

⚠ОБЕРЕЖНО: Прикладання до інструмента надмірного тиску не пришвидшує свердління. Насправді надмірний тиск може лише пошкодити свердло, погіршити характеристики інструмента та скоротити термін його експлуатації.

⚠ОБЕРЕЖНО: Слід тримати інструмент міцно та бути обережним, коли свердло починає входити в оброблювану деталь. Під час пробивання отвору до інструмента/свердла прикладається величезне зусилля.

⚠ОБЕРЕЖНО: Свердло, яке застрягло, можна легко видалити, встановивши важіль перемикача реверсу на зворотний напрямок обертання, щоб отримати задній хід. Але якщо інструмент не тримати міцно, він може різко відскочити.

⚠ОБЕРЕЖНО: Оброблювану деталь обов'язково необхідно затискати в лещатах або подібному пристрою фіксації.

⚠ОБЕРЕЖНО: Не допускайте свердління матеріалів, у яких можуть знаходитися приховані цвяхи або інші предмети – це може привести до заїдання або поломки свердла.

⚠ОБЕРЕЖНО: Якщо інструмент безперервно працює до розрядження касети з акумулятором, необхідно зробити перерву на 15 хвилин, перш ніж продовжити роботу з новим акумулятором.

Прикріплення стропа (страхувального ремня)

⚠Інструкції з техніки безпеки робіт на висоті
Ознайомтеся зі всіма застереженнями стосовно техніки безпеки та інструкціями. Недотримання відповідних застережень та інструкцій може призвести до серйозних травм.

1. Під час виконання робіт на висоті обов'язково користуйтеся страхувальним ремнем для фіксації інструмента. Максимальна довжина стропа становить 2 м (6,5 фути). Максимальна допустима висота падіння для стропа (страхувального ремня) не повинна перевищувати 2 м (6,5 фути).
2. З цим інструментом слід використовувати тільки спеціальні стропи, розраховані на навантаження не менше 5,0 кг (11,0 фунти).
3. Не прикріплюйте строп інструмента до елементів одягу або до рухливих деталей. Прикріпіть строп інструмента до жорсткої конструкції, яка може витримати вагу інструменту, що падає.
4. Перед використанням переконайтеся в тому, що строп надійно закріплений з кожного кінця.
5. Перевіряйте інструмент і строп перед кожним використанням на предмет справності та пошкоджень (включаючи стан тканини та швів). Не використовуйте пошкоджене або несправне приладдя.

6. Не огортайте стропи навколо предметів з гострими або зазубленими кінцями і не допускайте контакту стропів з такими предметами.
7. Прикріпіть інший кінець стропа за межами робочої зони таким чином, щоб інструмент, що падає, надійно фіксувався.
8. Прикріпіть строп таким чином, щоб у разі падіння інструмент рухався в протилежному від оператора напрямку. Інструменти, що впади, розгойдуватимуться на стропах, що може призвести до травми або втрати балансу.
9. Не використовувати поблизу рухомих частин або обладнання, що працює. Недотримання цієї вимоги може призвести до механічних пошкоджень або заплутування.
10. Не переносьте інструмент, тримаючи за кріпильне пристосування або строп.
11. Перекладайте інструмент з однієї руки в іншу тільки перебуваючи в стійкому положенні.
12. Прикріплюючи стропи до інструмента, стежте за тим, щоб вони не перешкождали нормальній роботі захисних пристосувань, перемикачів або важелів блокування.
13. Не допускайте заплутування в стропах.
14. Тримайте строп на відстані від зони різання інструмента.
15. Використовуйте універсальні карабіни та карабіни з гвинтовим замком. Не використовуйте карабіни однієї дії з пружинним фіксатором.
16. Інструмент, що впаде, слід позначити, припинити його експлуатацію та відправити на завод або до авторизованого сервісного центру Makita для перевірки.

ТЕХНІЧНЕ ОБСЛУГОВУВАННЯ

⚠ОБЕРЕЖНО: Перед здійсненням перевірки або обслуговування завжди перевіряйте, щоб інструмент був вимкнений, а касета з акумулятором була знята.

УВАГА: Ніколи не використовуйте газолін, бензин, розріджувач, спирт та подібні речовини. Їх використання може призвести до зміни кольору, деформації або появи тріщин.

Для забезпечення БЕЗПЕКИ та НАДІЙНОСТІ продукції, її ремонт, а також роботи з обслуговування або регулювання повинні виконуватись уповноваженими або заводськими сервісними центрами Makita із використанням запчастин виробництва компанії Makita.

ДОДАТКОВЕ ПРИЛАДДЯ

⚠ ОБЕРЕЖНО: Це додаткове та допоміжне обладнання рекомендовано використовувати з інструментом Makita, зазначеним у цій інструкції з експлуатації. Використання будь-якого іншого додаткового та допоміжного обладнання може становити небезпеку травмування. Використовуйте додаткове та допоміжне обладнання лише за призначенням.

У разі необхідності отримати допомогу в більш детальному ознайомленні з оснащенням звертайтеся до місцевого сервісного центру Makita.

- Свердла
- Оригінальний акумулятор та зарядний пристрій Makita

ПРИМІТКА: Деякі елементи списку можуть входити до комплекту інструмента як стандартне приладдя. Вони можуть відрізнятися залежно від країни.

ТЕХНИЧЕСКИЕ ХАРАКТЕРИСТИКИ

Модель:		DDA450	
Зубчатое колесо переключения коробки скоростей		Высокая	Низкая
Максимальный диаметр сверления	Сталь	13 мм	
	Дерево	Винтовое сверло: 38 мм Сверло с автоматической подачей: 50 мм Кольцевая пила: 101 мм	Винтовое сверло: 38 мм Сверло с автоматической подачей: 65 мм Кольцевая пила: 127 мм
Частота вращения без нагрузки		0 – 1 400 мин ⁻¹	0 – 450 мин ⁻¹
Общая длина (с блоком аккумулятора BL1860B)		434 мм	
Номинальное напряжение		18 В пост. тока	
Масса нетто		3,2 – 3,5 кг	

- Благодаря нашей постоянно действующей программе исследований и разработок указанные здесь технические характеристики могут быть изменены без предварительного уведомления.
- Технические характеристики могут различаться в зависимости от страны.
- Масса может отличаться в зависимости от дополнительного оборудования. Обратите внимание, что блок аккумулятора также считается дополнительным оборудованием. В таблице представлены комбинации с наибольшим и наименьшим весом в соответствии с процедурой EPTA 01/2014.

Подходящий блок аккумулятора и зарядное устройство

Блок аккумулятора	BL1815N / BL1820B / BL1830B / BL1840B / BL1850B / BL1860B
Зарядное устройство	DC18RC / DC18RD / DC18RE / DC18SD / DC18SE / DC18SF / DC18SH

- В зависимости от региона проживания некоторые блоки аккумуляторов и зарядные устройства, перечисленные выше, могут быть недоступны.

⚠ ОСТОРОЖНО: Используйте только перечисленные выше блоки аккумуляторов и зарядные устройства. Использование других блоков аккумуляторов и зарядных устройств может привести к травме и/или пожару.

Назначение

Инструмент предназначен для сверления древесины, металла и пластика.

Шум

Типичный уровень взвешенного звукового давления (A), измеренный в соответствии с EN62841-2-1: Уровень звукового давления (L_{pA}): 83 дБ (A)
Уровень звуковой мощности (L_{WA}): 94 дБ (A)
Погрешность (K): 3 дБ (A)

ПРИМЕЧАНИЕ: Заявленное значение распространения шума измерено в соответствии со стандартной методикой испытаний и может быть использовано для сравнения инструментов.

ПРИМЕЧАНИЕ: Заявленное значение распространения шума можно также использовать для предварительных оценок воздействия.

⚠ ОСТОРОЖНО: Используйте средства защиты слуха.

⚠ ОСТОРОЖНО: Распространение шума во время фактического использования электроинструмента может отличаться от заявленного значения в зависимости от способа применения инструмента и в особенности от типа обрабатываемой детали.

⚠ ОСТОРОЖНО: Обязательно определите меры безопасности для защиты оператора, основанные на оценке воздействия в реальных условиях использования (с учетом всех этапов рабочего цикла, таких как выключение инструмента, работа без нагрузки и включение).

Вибрация

Суммарное значение вибрации (сумма векторов по трем осям), определенное в соответствии с EN62841-2-1:
Рабочий режим: сверление металла
Распространение вибрации ($a_{h,D}$): 2,5 м/с² или менее
Погрешность (K): 1,5 м/с²

ПРИМЕЧАНИЕ: Заявленное общее значение распространения вибрации измерено в соответствии со стандартной методикой испытаний и может быть использовано для сравнения инструментов.

ПРИМЕЧАНИЕ: Заявленное общее значение распространения вибрации можно также использовать для предварительных оценок воздействия.

⚠ОСТОРОЖНО: Распространение вибрации во время фактического использования электроинструмента может отличаться от заявленного значения в зависимости от способа применения инструмента и в особенности от типа обрабатываемой детали.

⚠ОСТОРОЖНО: Обязательно определите меры безопасности для защиты оператора, основанные на оценке воздействия в реальных условиях использования (с учетом всех этапов рабочего цикла, таких как выключение инструмента, работа без нагрузки и включение).

Декларация о соответствии ЕС

Только для европейских стран

Декларация о соответствии ЕС включена в руководство по эксплуатации (Приложение А).

МЕРЫ БЕЗОПАСНОСТИ

Общие рекомендации по технике безопасности для электроинструментов

⚠ОСТОРОЖНО: Ознакомьтесь со всеми представленными инструкциями по технике безопасности, указаниями, иллюстрациями и техническими характеристиками, прилагаемыми к данному электроинструменту. Несоблюдение каких-либо инструкций, указанных ниже, может привести к поражению электрическим током, пожару и/или серьезной травме.

Сохраните брошюру с инструкциями и рекомендациями для дальнейшего использования.

Термин "электроинструмент" в предупреждениях относится ко всему инструменту, работающему от сети (с проводом) или на аккумуляторах (без провода).

Меры безопасности при использовании аккумуляторной дрели

Инструкции по технике безопасности при выполнении работ

1. Используйте дополнительные ручки. Потеря контроля над инструментом может привести к травме.
2. Если при выполнении работ существует риск контакта режущего инструмента со скрытой электропроводкой, держите электроинструмент за специальные изолированные поверхности. При контакте металлических частей электроинструмента с проводом под напряжением оператор может получить удар током.

3. При выполнении работ всегда занимайте устойчивое положение. При использовании инструмента на высоте убедитесь в отсутствии людей внизу.
4. Крепко держите инструмент.
5. Руки должны находиться на расстоянии от вращающихся деталей.
6. Не оставляйте работающий инструмент без присмотра. Включайте инструмент только тогда, когда он находится в руках.
7. Сразу после окончания работ не прикасайтесь к головке сверла или детали. Они могут быть очень горячими, что приведет к ожогу кожи.
8. Некоторые материалы могут содержать токсичные химические вещества. Примите соответствующие меры предосторожности, чтобы избежать вдыхания или контакта с кожей таких веществ. Соблюдайте требования, указанные в паспорте безопасности материала.
9. Если головку сверла не удается ослабить даже с помощью открывания зажимов, воспользуйтесь плоскогубцами, чтобы вытянуть ее. Вытягивание головки сверла вручную может привести к травмированию ее острой кромкой.
10. В случае появления проблем в работе инструмента, например необычных звуков, немедленно прекратите работу и обратитесь в местный сервисный центр Makita для ремонта.
11. Перед началом работы убедитесь в том, что под поверхностью грунта не проходят линии электропитания, водопроводы или газопроводы. Контакт инструмента с такими объектами приведет к удару электрическим током, утечке тока или газа.

Инструкции по технике безопасности при использовании удлиненных головок сверла

1. Запрещено работать на рабочей частоте, превышающей максимальные номинальные значения для головки сверла. На более высоких рабочих частотах сверло может изогнуться, если позволить ему вращаться свободно без контакта с заготовкой, что может привести к травме.
2. Всегда начинайте сверление на низкой частоте, прижав кончик сверла к заготовке. На более высоких рабочих частотах сверло может изогнуться, если позволить ему вращаться свободно без контакта с заготовкой, что может привести к травме.
3. Прикладывайте давление к инструменту только по оси сверла и не прижимайте сверло слишком сильно. Сверла могут согнуться, что приведет к поломке или потере контроля и может стать причиной травмы.

СОХРАНИТЕ ДАННЫЕ ИНСТРУКЦИИ.

⚠ОСТОРОЖНО: НЕ ДОПУСКАЙТЕ, чтобы удобство или опыт эксплуатации данного устройства (полученный от многократного использования) доминировали над строгим соблюдением правил техники безопасности при обращении с этим устройством. НЕПРАВИЛЬНОЕ ИСПОЛЬЗОВАНИЕ инструмента или несоблюдение правил техники безопасности, указанных в данном руководстве, может привести к тяжелой травме.

Важные правила техники безопасности для работы с аккумуляторным блоком

1. Перед использованием аккумуляторного блока прочитайте все инструкции и предупреждающие надписи на (1) зарядном устройстве, (2) аккумуляторном блоке и (3) инструменте, работающем от аккумуляторного блока.
2. Не разбирайте блок аккумулятора и не меняйте его конструкцию. Это может привести к пожару, перегреву или взрыву.
3. Если время работы аккумуляторного блока значительно сократилось, немедленно прекратите работу. В противном случае, может возникнуть перегрев блока, что приведет к ожогам и даже к взрыву.
4. В случае попадания электролита в глаза промойте их обильным количеством чистой воды и немедленно обратитесь к врачу. Это может привести к потере зрения.
5. Не замыкайте контакты аккумуляторного блока между собой:

- (1) Не прикасайтесь к контактам какими-либо токопроводящими предметами.
- (2) Не храните аккумуляторный блок в контейнере вместе с другими металлическими предметами, такими как гвозди, монеты и т. п.
- (3) Не допускайте попадания на аккумуляторный блок воды или дождя.

Замыкание контактов аккумуляторного блока между собой может привести к возникновению большого тока, перегреву, возможным ожогам и даже поломке блока.

6. Не храните и не используйте инструмент и аккумуляторный блок в местах, где температура может достигать или превышать 50 °C (122 °F).
7. Не бросайте аккумуляторный блок в огонь, даже если он сильно поврежден или полностью вышел из строя. Аккумуляторный блок может взорваться под действием огня.
8. Запрещено вбивать гвозди в блок аккумулятора, резать, ломать, бросать, ронять блок аккумулятора или ударять его твердым предметом. Это может привести к пожару, перегреву или взрыву.
9. Не используйте поврежденный аккумуляторный блок.
10. Входящие в комплект литий-ионные аккумуляторы должны эксплуатироваться в соответствии с требованиями законодательства об опасных товарах. При коммерческой транспортировке, например, третьей стороной или экспедитором, необходимо нанести на упаковку специальные предупреждения и маркировку. В процессе подготовки устройства к отправке обязательно проконсультируйтесь со специалистом по опасным материалам. Также соблюдайте местные требования и нормы. Они могут быть строже. Закройте или закрепите разомкнутые контакты и упакуйте аккумулятор так, чтобы он не перемещался по упаковке.
11. Для утилизации блока аккумулятора извлеките его из инструмента и утилизируйте безопасным способом. Выполняйте требования местного законодательства по утилизации аккумуляторного блока.

12. Используйте аккумуляторы только с продукцией, указанной Makita. Установка аккумуляторов на продукцию, не соответствующую требованиям, может привести к пожару, перегреву, взрыву или утечке электролита.
13. Если инструментом не будут пользоваться в течение длительного периода времени, извлеките аккумулятор из инструмента.
14. Во время и после использования блок аккумулятора может нагреваться, что может стать причиной ожогов или низкотемпературных ожогов. Будьте осторожны при обращении с горячим блоком аккумулятора.
15. Не прикасайтесь к контактам инструмента сразу после использования, поскольку они могут быть достаточно горячими, чтобы вызвать ожоги.
16. Не допускайте, чтобы обломки, пыль или земля прилипали к контактам, отверстиям и пазам на блоке аккумулятора. Это может привести к снижению эксплуатационных параметров, поломке инструмента или блока аккумулятора.
17. Если инструмент не рассчитан на использование вблизи высоковольтных линий электропередач, не используйте блок аккумулятора вблизи высоковольтных линий электропередач. Это может привести к неисправности, поломке инструмента или блока аккумулятора.
18. Храните аккумулятор в недоступном для детей месте.

СОХРАНИТЕ ДАННЫЕ ИНСТРУКЦИИ.

▲ВНИМАНИЕ: Используйте только фирменные аккумуляторные батареи Makita. Использование аккумуляторных батарей, не прошедших Makita, или батарей, которые были подвергнуты модификациям, может привести к взрыву аккумулятора, пожару, травмам и повреждению имущества. Это также автоматически аннулирует гарантию Makita на инструмент и зарядное устройство Makita.

Советы по обеспечению максимального срока службы аккумулятора

1. Заряжайте блок аккумуляторов перед его полной зарядкой. Обязательно прекратите работу с инструментом и зарядите блок аккумуляторов, если вы заметили снижение мощности инструмента.
2. Никогда не подзаряжайте полностью заряженный блок аккумуляторов. Перезарядка сокращает срок службы аккумулятора.
3. Заряжайте блок аккумуляторов при комнатной температуре в 10 - 40 °C (50 - 104 °F). Перед зарядкой горячего блока аккумуляторов дайте ему остыть.
4. Если блок аккумулятора не используется, извлеките его из инструмента или зарядного устройства.
5. Зарядите ионно-литиевый аккумуляторный блок, если вы не будете пользоваться инструментом длительное время (более шести месяцев).

ОПИСАНИЕ РАБОТЫ

ВНИМАНИЕ: Перед регулировкой или проверкой функций инструмента обязательно убедитесь, что он выключен и его аккумуляторный блок снят.

Установка или снятие блока аккумуляторов

ВНИМАНИЕ: Обязательно выключайте инструмент перед установкой и извлечением аккумуляторного блока.

ВНИМАНИЕ: При установке и извлечении аккумуляторного блока крепко удерживайте инструмент и аккумуляторный блок. Если не соблюдать это требование, они могут выскользнуть из рук, что приведет к повреждению инструмента, аккумуляторного блока и травмированию оператора.

► **Рис.1:** 1. Красный индикатор 2. Кнопка 3. Блок аккумулятора

Для снятия аккумуляторного блока нажмите кнопку на лицевой стороне и извлеките блок.

Для установки блока аккумулятора совместите выступ блока аккумулятора с пазом в корпусе и задвиньте его на место. Устанавливайте блок до упора так, чтобы он зафиксировался на месте с небольшим щелчком. Если вы можете видеть красный индикатор на верхней части клавиши, блок аккумулятора не полностью зафиксирован на месте.

ВНИМАНИЕ: Обязательно устанавливайте блок аккумулятора до конца, чтобы красный индикатор не был виден. В противном случае блок аккумулятора может выпасть из инструмента и нанести травму вам или другим людям.

ВНИМАНИЕ: Не прилагайте чрезмерных усилий при установке аккумуляторного блока. Если блок не движется свободно, значит он вставлен неправильно.

Индикация оставшегося заряда аккумулятора

Только для блоков аккумулятора с индикатором

► **Рис.2:** 1. Индикаторы 2. Кнопка проверки

Нажмите кнопку проверки на аккумуляторном блоке для проверки заряда. Индикаторы загорятся на несколько секунд.

Индикаторы			Уровень заряда
Горит	Выкл.	Мигает	
■	□	◐	от 75 до 100%
■	■	■	
■	■	□	от 50 до 75%
■	□	□	от 25 до 50%
■	□	□	от 0 до 25%
◐	□	□	Зарядите аккумуляторную батарею.

Индикаторы			Уровень заряда
Горит	Выкл.	Мигает	
■	□	◐	Возможно, аккумуляторная батарея неисправна.
■	■	□	
□	□	■	

ПРИМЕЧАНИЕ: В зависимости от условий эксплуатации и температуры окружающего воздуха индикация может незначительно отличаться от фактического значения.

ПРИМЕЧАНИЕ: Первая (дальняя левая) индикаторная лампа будет мигать во время работы защитной системы аккумулятора.

Система защиты инструмента/аккумулятора

На инструменте предусмотрена система защиты инструмента/аккумулятора. Она автоматически отключает питание двигателя для продления срока службы инструмента и аккумулятора. Инструмент автоматически останавливается во время работы в следующих случаях:

Защита от перегрузки

Если из-за способа эксплуатации инструмент/аккумулятор потребляет слишком большое количество тока, произойдет автоматический останов. В этом случае выключите инструмент и прекратите работу, повлекшую перегрузку инструмента. Затем включите инструмент для перезапуска.

Защита от перегрева

При перегреве инструмента/аккумулятора инструмент автоматически останавливается и начинает мигать индикатор. В таком случае дайте инструменту остыть перед повторным включением.

Защита от переразрядки

При истощении емкости аккумулятора инструмент автоматически останавливается. В этом случае извлеките аккумулятор из инструмента и зарядите его.

Действие выключателя

ВНИМАНИЕ: Перед установкой аккумуляторного блока в инструмент обязательно убедитесь, что его триггерный переключатель нормально работает и возвращается в положение "OFF" (ВЫКЛ) при отпуске.

► **Рис.3:** 1. Триггерный переключатель

Чтобы запустить инструмент, нажмите триггерный переключатель. Для повышения рабочей скорости инструмента нажмите триггерный переключатель сильнее. Отпустите триггерный переключатель для остановки.

ПРИМЕЧАНИЕ: Инструмент автоматически останавливается, если удерживать триггерный переключатель нажатым примерно 6 минут.

Включение передней лампы

⚠ ВНИМАНИЕ: Не смотрите непосредственно на свет или источник света.

► Рис.4: 1. Лампа

Лампа продолжает гореть, пока нажат триггерный переключатель. Лампа будет светиться до тех пор, пока нажат триггерный переключатель. Лампа гаснет примерно через 10 секунд после отпущания триггерного переключателя.

ПРИМЕЧАНИЕ: При перегреве инструмент автоматически останавливается, а лампа начинает мигать. В этом случае отпустите триггерный переключатель. Лампа гаснет через 1 минуту.

ПРИМЕЧАНИЕ: Для удаления пыли с линзы лампы используйте сухую ткань. Не допускайте возникновения царапин на линзе лампы, так как это приведет к снижению освещенности.

Действие реверсивного переключателя

⚠ ВНИМАНИЕ: Перед работой всегда проверяйте направление вращения.

⚠ ВНИМАНИЕ: Используйте реверсивный переключатель только после полной остановки инструмента. Изменение направления вращения до полной остановки инструмента может привести к его повреждению.

⚠ ВНИМАНИЕ: Если инструмент не используется, обязательно переведите рычаг реверсивного переключателя в нейтральное положение.

Этот инструмент оборудован реверсивным переключателем для изменения направления вращения. Нажмите на рычаг реверсивного переключателя со стороны А для вращения по часовой стрелке или со стороны В для вращения против часовой стрелки. Когда рычаг реверсивного переключателя находится в нейтральном положении, рычаг переключателя не может быть нажат.

► Рис.5: 1. Рычаг реверсивного переключателя

Изменение скорости

ПРИМЕЧАНИЕ: Используйте ручку изменения скорости только после полной остановки инструмента. Изменение скорости вращения до полной остановки инструмента может привести к его повреждению.

ПРИМЕЧАНИЕ: Всегда устанавливайте ручку изменения скорости в правильное положение до конца. Если при работе с инструментом ручка изменения скорости находится в промежуточном положении между 1 и 2, это может привести к повреждению инструмента.

ПРИМЕЧАНИЕ: В случае значительного снижения частоты вращения в режиме высокой частоты вращения остановите инструмент и переключите его в режим низкой частоты вращения. Несоблюдение этого требования может привести к перегрузке двигателя и стать причиной неисправности или возгорания.

С помощью ручки изменения скорости можно предварительно выбрать два диапазона скорости.

Для изменения скорости поверните кнопку регулировки частоты вращения, совместив указатель с отметкой 1 для выбора режима с низкой частотой вращения или с отметкой 2 для выбора режима с высокой частотой вращения.

► Рис.6: 1. Указатель 2. Кнопка регулировки скорости

Электронная функция

Электрический тормоз

Этот инструмент оснащен электрическим тормозом. Если после отпущания триггерного переключателя не происходит быстрого прекращения работы инструмента, отправьте инструмент в сервисный центр Makita для обслуживания.

Функция плавного запуска

Эта функция позволяет плавно включать инструмент путем ограничения пускового момента.

СБОРКА

⚠ ВНИМАНИЕ: Перед проведением каких-либо работ с инструментом обязательно убедитесь, что инструмент отключен, а блок аккумулятора снят.

Установка боковой ручки (вспомогательной рукоятки)

⚠ ВНИМАНИЕ: Перед работой всегда проверяйте надежность крепления боковой ручки.

Надежно привинтите боковую рукоятку к инструменту. Для удобства боковую ручку можно устанавливать с любой стороны инструмента.

► Рис.7: 1. Боковая ручка

Установка держателя ключа

(в зависимости от страны)

⚠ ВНИМАНИЕ: Перед началом работы всегда проверяйте надежность установки держателя ключа.

Надежно привинтите держатель ключа к инструменту. Вставьте патронный ключ в соответствующее положение.

► Рис.8: 1. Держатель ключа 2. Винт 3. Патронный ключ

Установка или снятие головки сверла

Для установки головки сверла вставьте ее до упора в сверлильный патрон. Вручную затяните зажимной патрон. Вставьте патронный ключ в каждое из трех отверстий и затяните его по часовой стрелке. Обязательно затягивайте все три отверстия патрона равномерно.

Для снятия головки сверла поверните патронный ключ против часовой стрелки только в одном отверстии, затем ослабьте патрон вручную.

► **Рис.9:** 1. Патронный ключ

После использования установите патронный ключ обратно в держатель ключа на инструменте, как показано на рисунке.

► **Рис.10:** 1. Держатель ключа

Крючок

ВНИМАНИЕ: Всегда извлекайте аккумулятор при подвешивании инструмента за крючок.

ВНИМАНИЕ: Никогда не вешайте инструмент на высоте или на потенциально неустойчивой поверхности.

Крючок удобен для временного подвешивания инструмента. Для использования крючка просто поднимите его так, чтобы он защелкнулся в открытом положении. Если крючок не используется, опустите его так, чтобы он защелкнулся в закрытом положении.

► **Рис.11:** 1. Крючок

► **Рис.12**

Подсоединение стропа (страховочного ремня) к крючку

ВНИМАНИЕ: Не используйте поврежденный крючок и винты. Перед началом работы проведите осмотр и убедитесь в том, что на инструменте отсутствуют повреждения, трещины или деформация, а также в том, что винты затянуты.

ВНИМАНИЕ: Убедитесь в том, что крючок надежно затянут винтами.

ВНИМАНИЕ: Не устанавливайте и не отсоединяйте какие-либо принадлежности, если инструмент подвешен за крючок. Если винты не затянуты, инструмент может упасть.

ВНИМАНИЕ: Всегда используйте муфтованный карабин (универсальный и с винтовым зажимом) и прикрепляйте строп (страховочный ремень) к части крючка с двойной петлей. Неправильное прикрепление может привести к тому, что инструмент упадет и нанесет травмы.

Крючок также используется для подсоединения стропа (страховочного ремня). Подсоедините строп (страховочный ремень) к части крючка с двойной петлей.

► **Рис.13:** 1. Часть крючка с двойной петлей
2. Строп (страховочный ремень)
3. Муфтованный карабин (универсальный и с винтовым зажимом)

ЭКСПЛУАТАЦИЯ

ВНИМАНИЕ: Всегда устанавливайте блок аккумулятора до упора так, чтобы он зафиксировался на месте. Если вы можете видеть красный индикатор на верхней части клавиши, блок аккумулятора не полностью установлен на месте. Установите его до конца так, чтобы красный индикатор был не виден. В противном случае блок может выпасть из инструмента и нанести травму вам или другим людям.

ВНИМАНИЕ: В случае значительного снижения оборотов уменьшите нагрузку или остановите инструмент во избежание его повреждения.

ВНИМАНИЕ: Во время работы крепко удерживайте инструмент.

Удержание инструмента

ВНИМАНИЕ: Этот инструмент отличается высокой мощностью. Он развивает высокий крутящий момент, в связи с чем этот инструмент следует крепко удерживать и надежно фиксировать.

Возьмитесь одной рукой за ручку, а второй рукой – за переднюю рукоятку.

► **Рис.14:** 1. Передняя рукоятка 2. Рукоятка

Сверление

Сверление дерева

При сверлении дерева наилучшие результаты достигаются с применением сверл для дерева с направляющим винтом. Направляющий винт упрощает сверление, удерживая головку сверла в обрабатываемой детали.

Сверление металла

Для предотвращения скольжения сверла при начале сверления сделайте углубление с помощью кернера и молотка в точке сверления. Вставьте острие головки сверла в углубление и начните сверление. При сверлении металлов пользуйтесь смазочно-охлаждающей жидкостью. Исключение составляют железо и латунь, которые надо сверлить насухо.

▲ВНИМАНИЕ: Чрезмерное нажатие на инструмент не ускорит сверление. На самом деле, чрезмерное давление только повредит наконечник головки сверла, снизит производительность инструмента и сократит срок его службы.

▲ВНИМАНИЕ: Крепко удерживайте инструмент и будьте осторожны, когда головка сверла начинает проходить сквозь обрабатываемую деталь. В момент выхода головки сверла из детали возникает огромное усилие на инструмент/сверло.

▲ВНИМАНИЕ: Заклинившая головка сверла может быть без проблем извлечена из обрабатываемой детали путем изменения направления вращения при помощи реверсивного переключателя. Однако если вы не будете крепко держать инструмент, он может резко сдвинуться назад.

▲ВНИМАНИЕ: Всегда закрепляйте обрабатываемые детали в тисках или аналогичном зажимном устройстве.

▲ВНИМАНИЕ: Не допускайте сверления материалов, в которых могут находиться скрытые гвозди или другие предметы — это может привести к заеданию или поломке головки сверла.

▲ВНИМАНИЕ: Если инструмент эксплуатировался непрерывно до разрядки блока аккумулятора, сделайте перерыв на 15 минут, прежде чем продолжить работу с заряженным аккумулятором.

Подсоединение стропа (страховочного ремня)

▲Инструкции по технике безопасности работ на высоте. Ознакомьтесь со всеми предупреждениями и инструкциями по технике безопасности. Несоблюдение требований предупреждений и инструкций может привести к серьезным травмам.

1. При выполнении работ на высоте обязательно используйте страховочный ремень для фиксации инструмента. Максимальная длина стропа составляет 2 м (6,5 фута). Максимальная допустимая высота падения для стропа (страховочного ремня) не должна превышать 2 м (6,5 фута).
2. С этим инструментом следует использовать только специальные стропы, рассчитанные на нагрузку не менее 5,0 кг (11,0 фунта).
3. Не прикрепляйте строп инструмента к элементам одежды или к подвижным деталям. Прикрепите строп инструмента к жесткой конструкции, которая может выдержать вес падающего инструмента.
4. Перед использованием убедитесь в том, что строп надежно закреплен со всех концов.
5. Проверяйте инструмент и строп перед каждым использованием на предмет исправности и отсутствия повреждений (включая состояние ткани и швов). Не используйте поврежденные или неисправные приспособления.

6. Не оборачивайте стропы вокруг предметов с острыми или зазубренными краями и не допускайте соприкосновения стропов с такими предметами.
7. Прикрепите другой конец стропа за пределами рабочей зоны таким образом, чтобы падающий инструмент надежно фиксировался.
8. Прикрепите строп таким образом, чтобы в случае падения инструмента двигался в противоположном от оператора направлении. Упавшие инструменты будут раскачиваться на стропе, что может привести к травме или потере баланса.
9. Не используйте вблизи движущихся частей или работающего оборудования. Несоблюдение этого требования может привести к механическим повреждениям или запутыванию.
10. Не переносите инструмент, держа за крепежное приспособление или строп.
11. Переключайте инструмент из одной руки в другую только находясь в устойчивом положении.
12. Прикрепляя стропы к инструменту, следите за тем, чтобы они не препятствовали нормальной работе защитных приспособлений, переключателей или рычагов блокировки.
13. Не допускайте запутывания в стропе.
14. Держите строп на расстоянии от зоны резания инструмента.
15. Используйте универсальные карабины и карабины с винтовым замком. Не используйте карабины одностороннего действия с пружинным фиксатором.
16. Если инструмент упал, его следует пометить, прекратить его эксплуатацию и отправить на завод или в авторизованный сервисный центр Makita для проверки.

ОБСЛУЖИВАНИЕ

▲ВНИМАНИЕ: Перед проведением проверки или работ по техобслуживанию всегда проверяйте, что инструмент выключен, а блок аккумулятора снят.

ПРИМЕЧАНИЕ: Запрещается использовать бензин, растворители, спирт и другие подобные жидкости. Это может привести к обесцвечиванию, деформации и трещинам.

Для обеспечения БЕЗОПАСНОСТИ и НАДЕЖНОСТИ оборудования ремонт, любое другое техобслуживание или регулировку необходимо производить в уполномоченных сервис-центрах Makita или сервис-центрах предприятия с использованием только сменных частей производства Makita.

ДОПОЛНИТЕЛЬНЫЕ ПРИНАДЛЕЖНОСТИ

⚠ВНИМАНИЕ: Данные принадлежности или приспособления рекомендуются для использования с инструментом Makita, указанным в настоящем руководстве. Использование других принадлежностей или приспособлений может привести к получению травмы. Используйте принадлежность или приспособление только по указанному назначению.

Если вам необходимо содействие в получении дополнительной информации по этим принадлежностям, свяжитесь с вашим сервис-центром Makita.

- Головки сверл
- Оригинальный аккумулятор и зарядное устройство Makita

ПРИМЕЧАНИЕ: Некоторые элементы списка могут входить в комплект инструмента в качестве стандартных приспособлений. Они могут отличаться в зависимости от страны.

Makita Europe N.V. Jan-Baptist Vinkstraat 2,
3070 Kortenberg, Belgium

Makita Corporation 3-11-8, Sumiyoshi-cho,
Anjo, Aichi 446-8502 Japan

www.makita.com

885869-962
EN, SL, SQ, BG,
HR, MK, SR, RO,
UK, RU
20201202