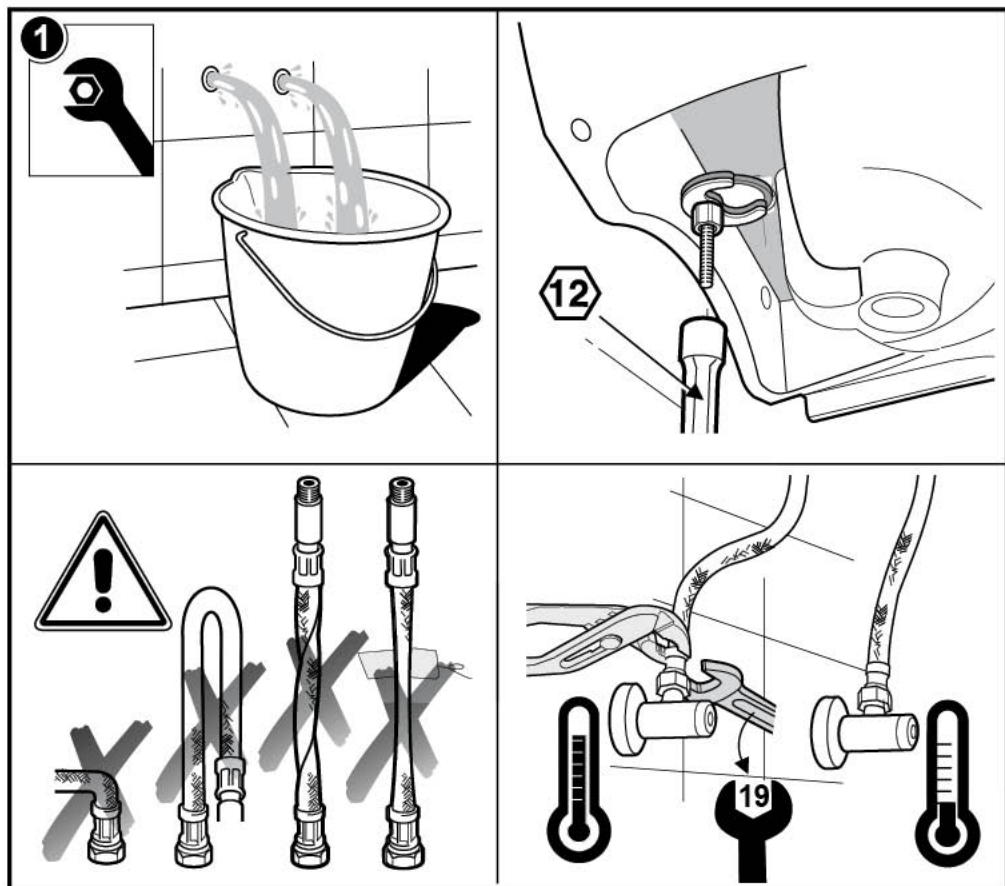












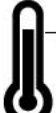
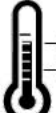



Roca

VICTORIA-N





 P 	P bar	 MAX 10	
 P 	P bar	MIN 1  5 MAX	 3 2 
  T	°C	 80 MAX.	 65 50 

2



A5A3025C0F

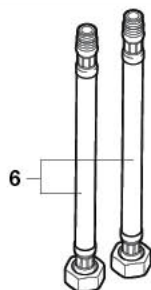
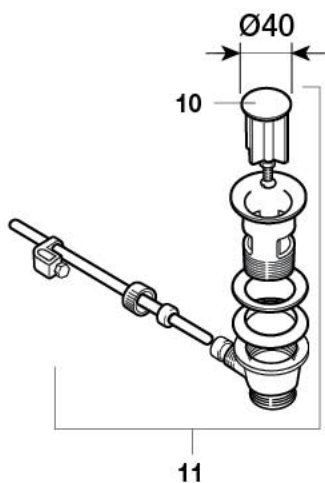
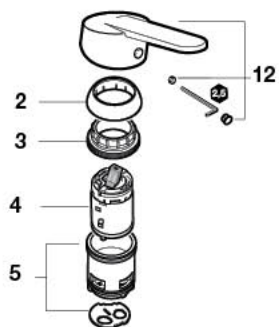
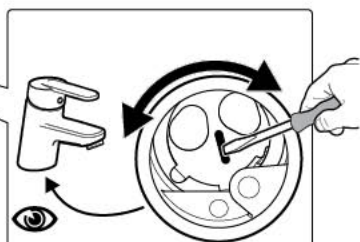
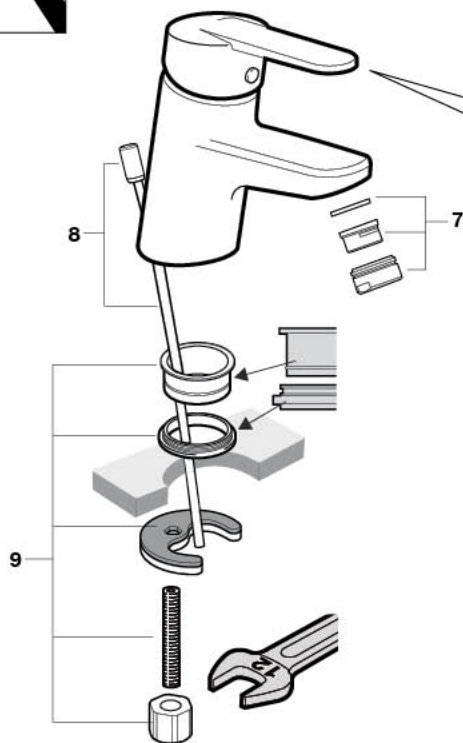
A5A3B25C0F

A5A3E25C0F

A5A3A25C0F

A5A3C25C0F

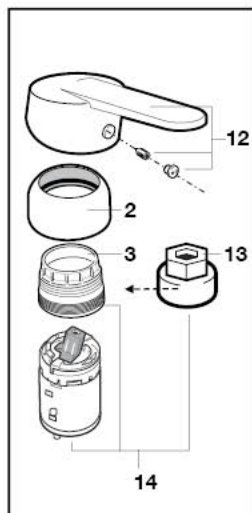
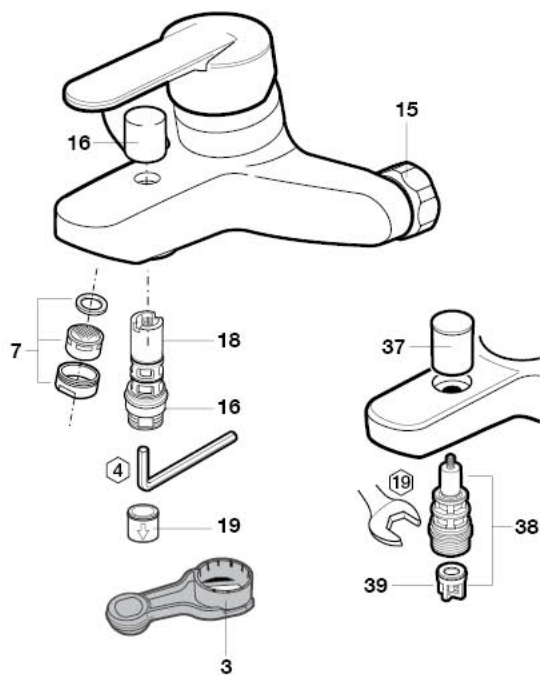
A5A3F25C0F







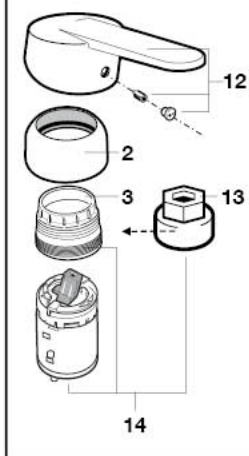
	E	0	7l/min // 10l/min
	C	3	Économie d'eau et d'énergie
	A	2	Class I* // 17 dB (A)
	U	3	min. 175.000 cycles use



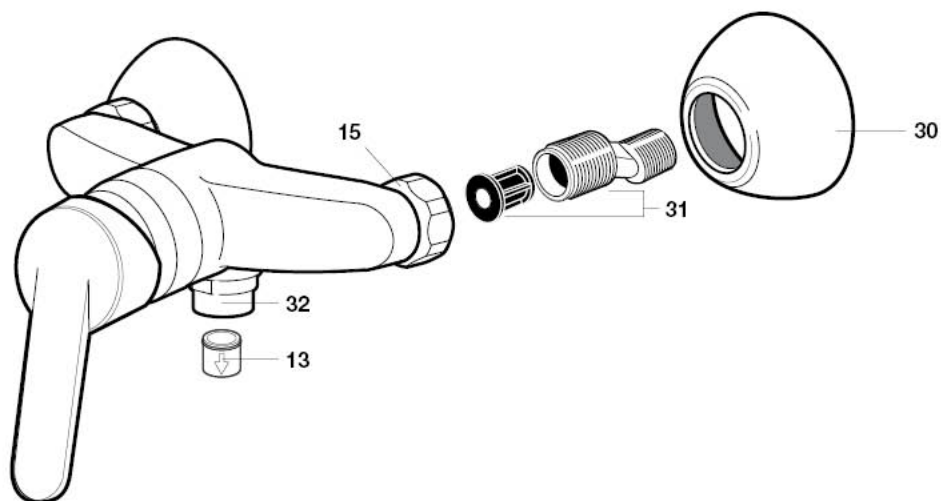
A5A0325C0F







	E	3/1	20 l/min // 8 l/min _ 14 l/min
	C	2	Économie d'eau
	A	2	Class I C/A // 19 dB(A)
	U	3	min. 175.000 cycles usage



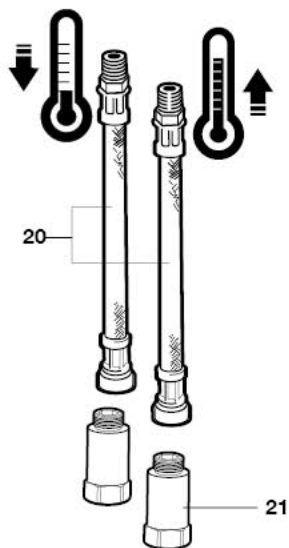
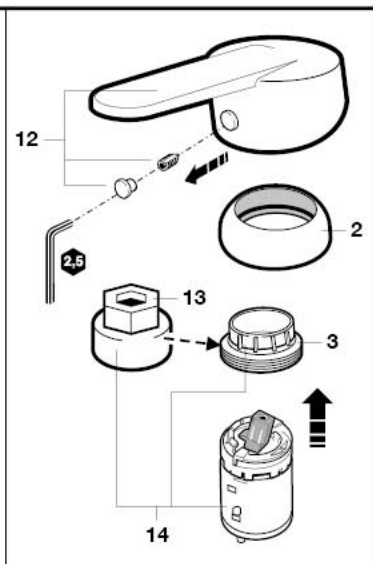
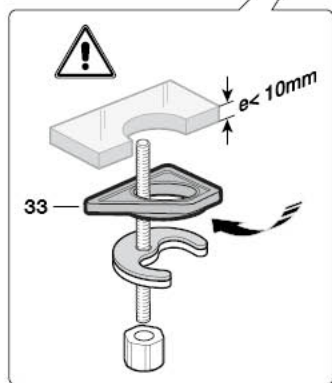
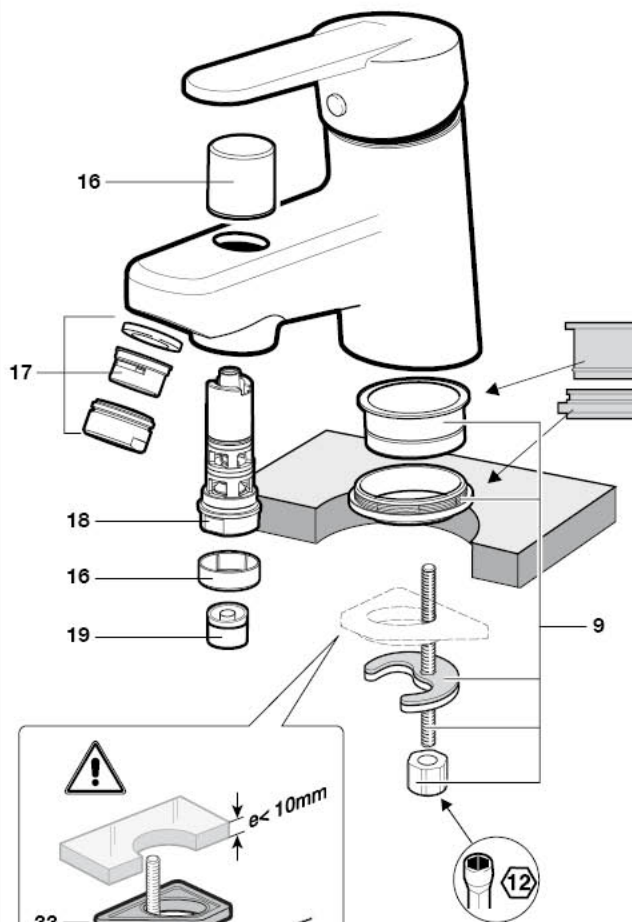
A5A2125C0F



	E	1	4,5 l/min _ 10 l/min
	C	2	Économie d'eau
	A	2	Class I* // 16 dB(A)
	U	3	min. 175.000 cycles usage



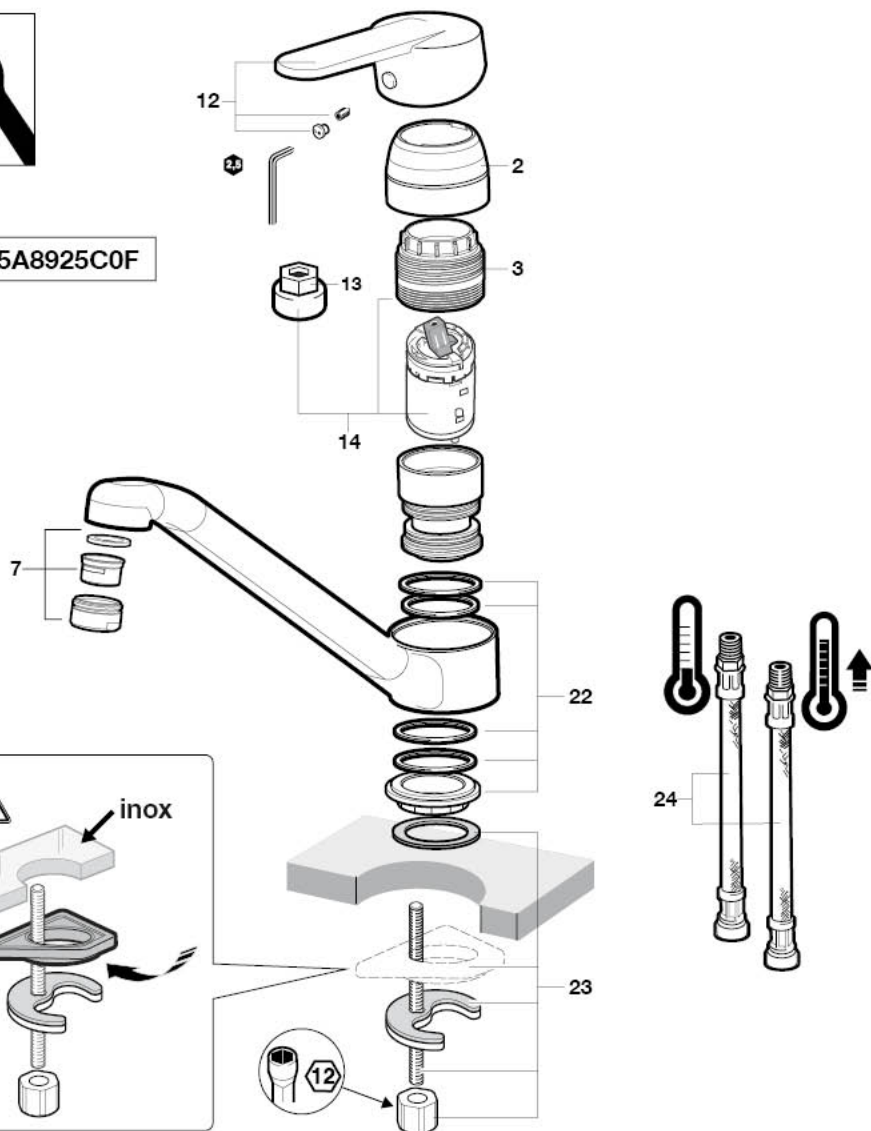
A5A0525C0F



	E	3/1	20 l/min // 7 l/min _ 14 l/min
	C	2	Économie d'eau
	A	2	Class I D/A // 19 dB(A)
	U	3	min. 175.000 cycles usage



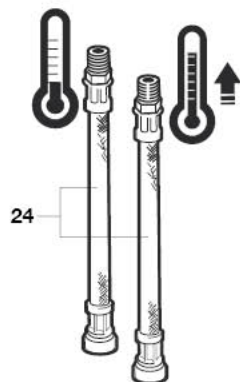
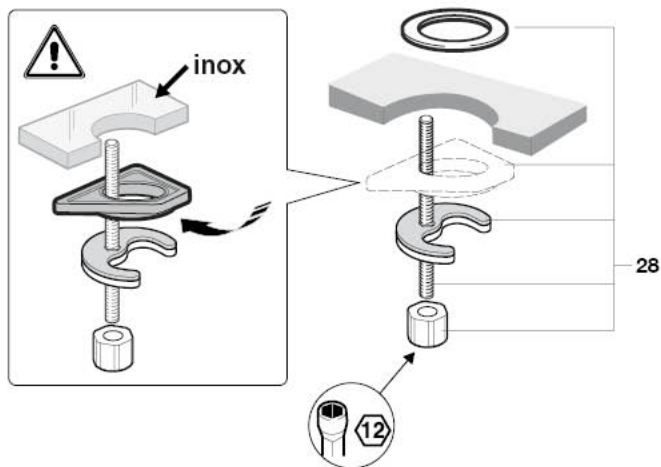
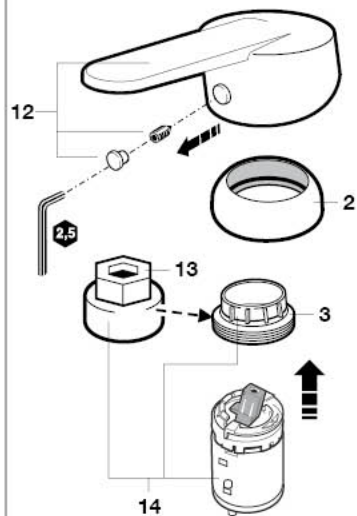
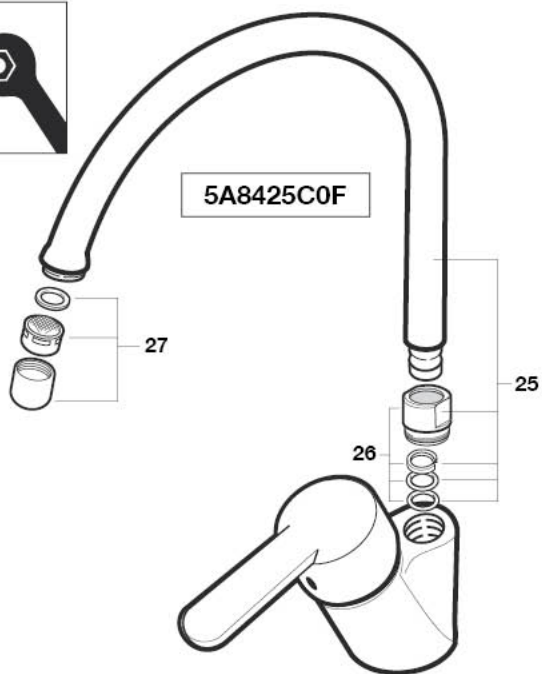
A5A8925C0F



	E	1	7 l/min // 10 l/min
	C	3	Économie d'eau et d'énergie
	A	2	Class I* // 18 dB(A)
	U	3	min. 175.000 cycles usage



5A8425C0F

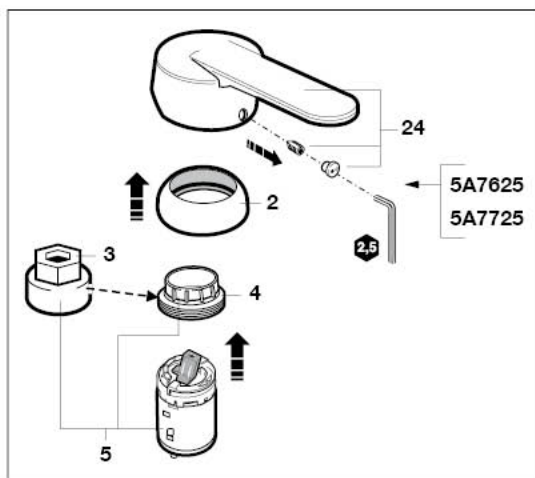
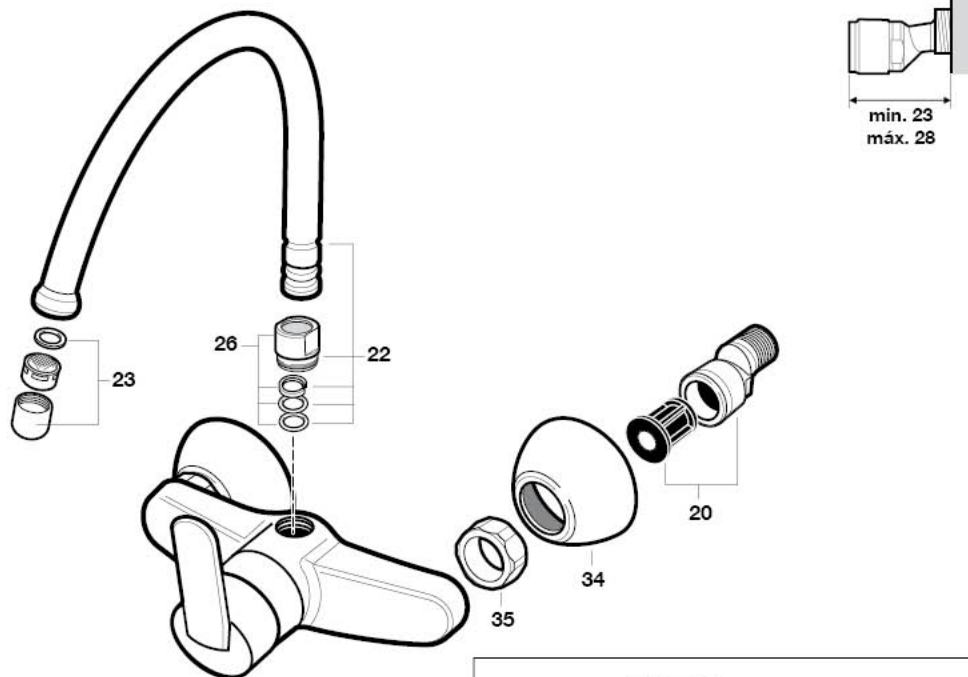


	E	0	7 l/min _ 10 l/min
	C	2	Économie d'eau
	A	2	Class I A // 18 dB(A)
	U	3	min. 175.000 cycles usage

8

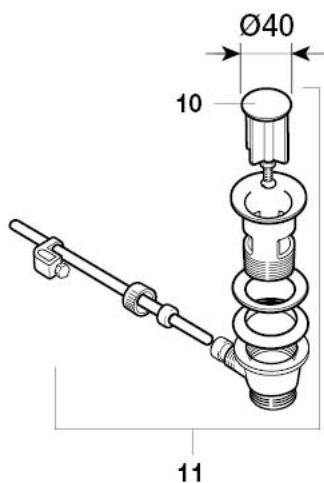
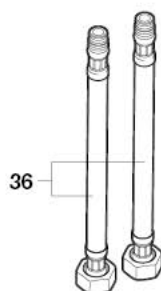
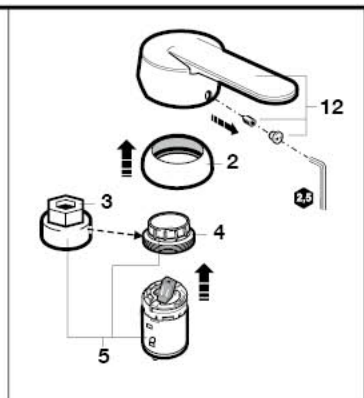
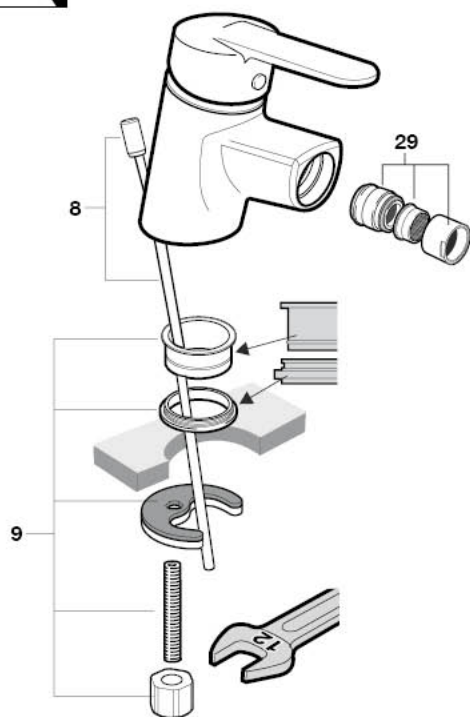






A5A7625C0F





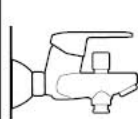
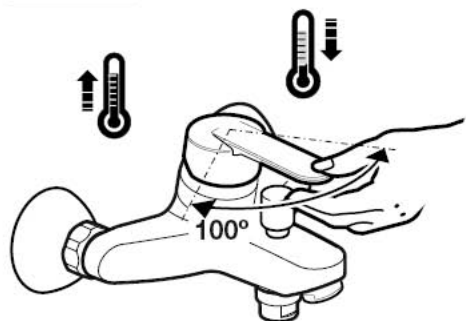
A5A6A25C0F



	E	0	4,5 l/min // 10 l/min
	C	2	Économie d'eau
	A	2	Class I* // 16 dB(A)
	U	3	min. 175.000 cycles usage



NF-C2

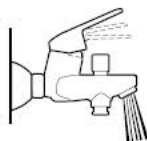


0%



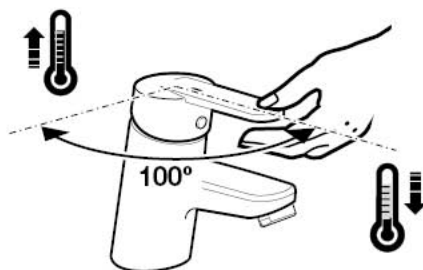
C2

Economie d'eau



100%

NF-C3



0%



C2

Economie d'eau



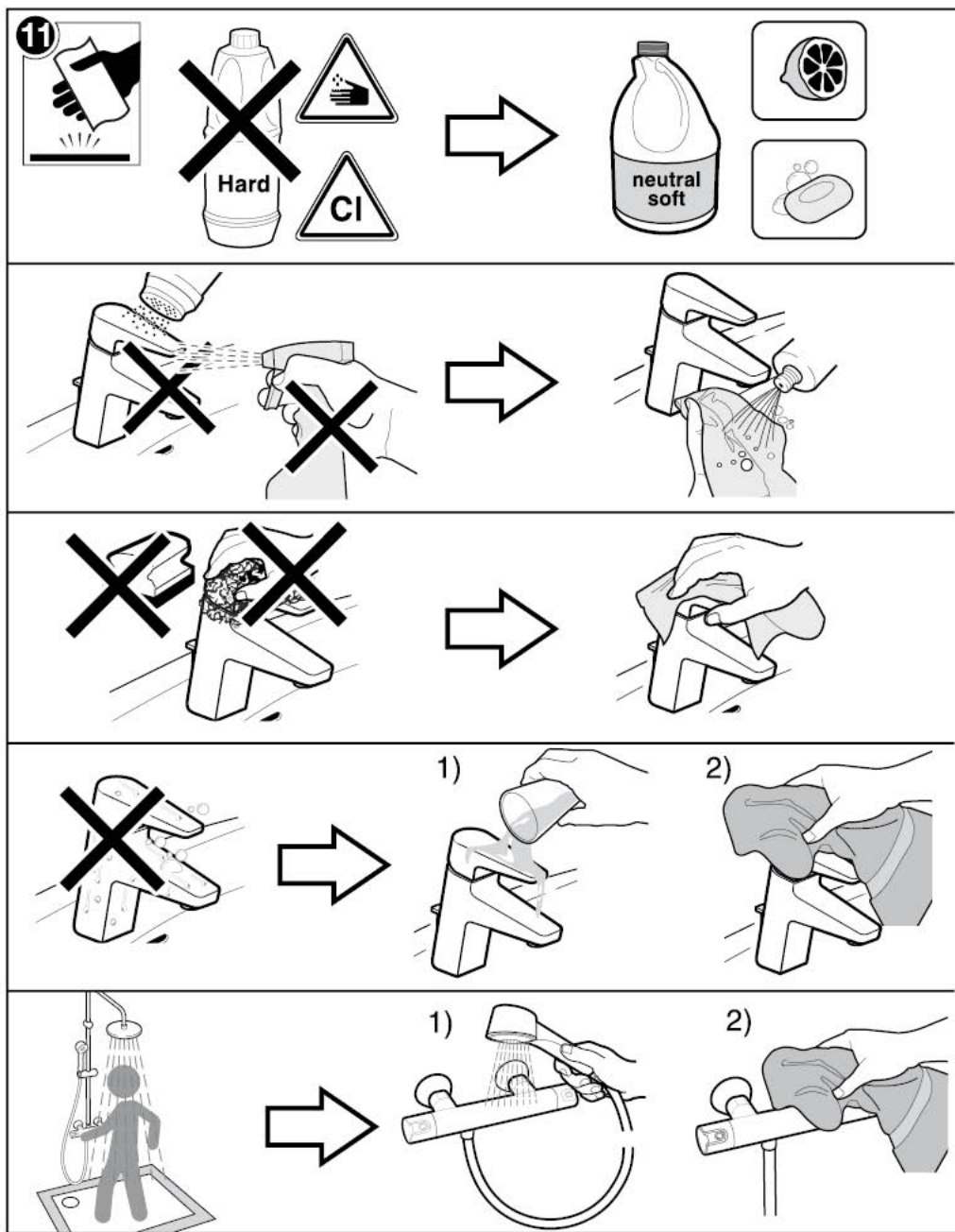
100%

- 1 - AG0111600R
- 2 - AG0085300R
- 3 - A525023507
- 4 - AG0110007R
- 5 - AG0077807R
- 6 - A525020309
- 7 - A525004700
- 8 - AG0003600R
- 9 - A525004403

- | | | |
|----|--------------|-----------------------------|
| 10 | - AG0096200R | for Brass
pop-up waste |
| | - AG0085700R | for Plastic
pop-up waste |
| 11 | - AG0075300R | Brass |
| | - AG0075200R | Plastic |

- 12 - AG0003400R
- 13 - A525005407
- 14 - AG0109807R
- 15 - AG0002500R
- 16 - A525023200
- 17 - A525005800
- 18 - A525087300
- 19 - A525005507
- 20 - A525005308
- 21 - A525010700
- 22 - AG0024100R
- 23 - AG0085803R
- 24 - AG0003500R
- 25 - AG0002200R
- 26 - AG0085500R

- 27 - A525006600
- 28 - AG0001503R
- 29 - AG0111700R
- 30 - AG0085400R
- 31 - A525005308
- 32 - AG0036800R
- 33 - AG0101207R
- 34 - AG0085400R
- 35 - AG0002500R
- 36 - A525020309
- 37 - AG0116700R
- 38 - AG0116500R
- 39 - AG0116600R



A543099607g