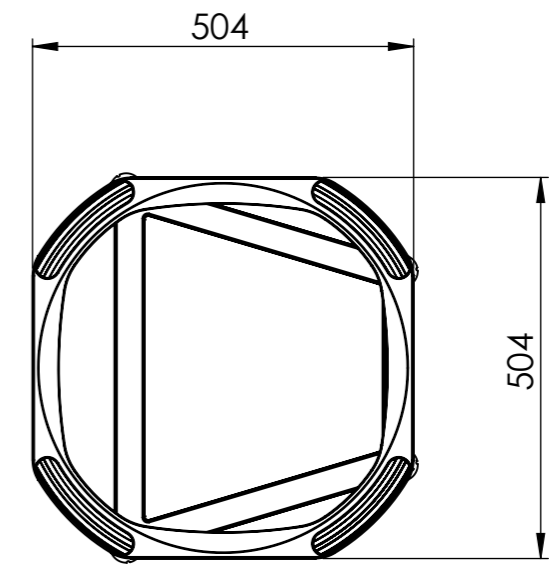
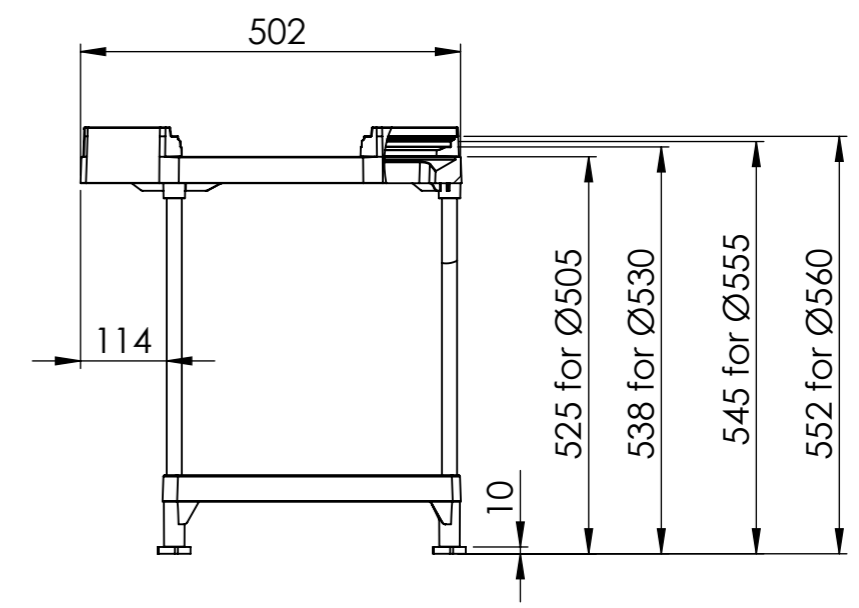
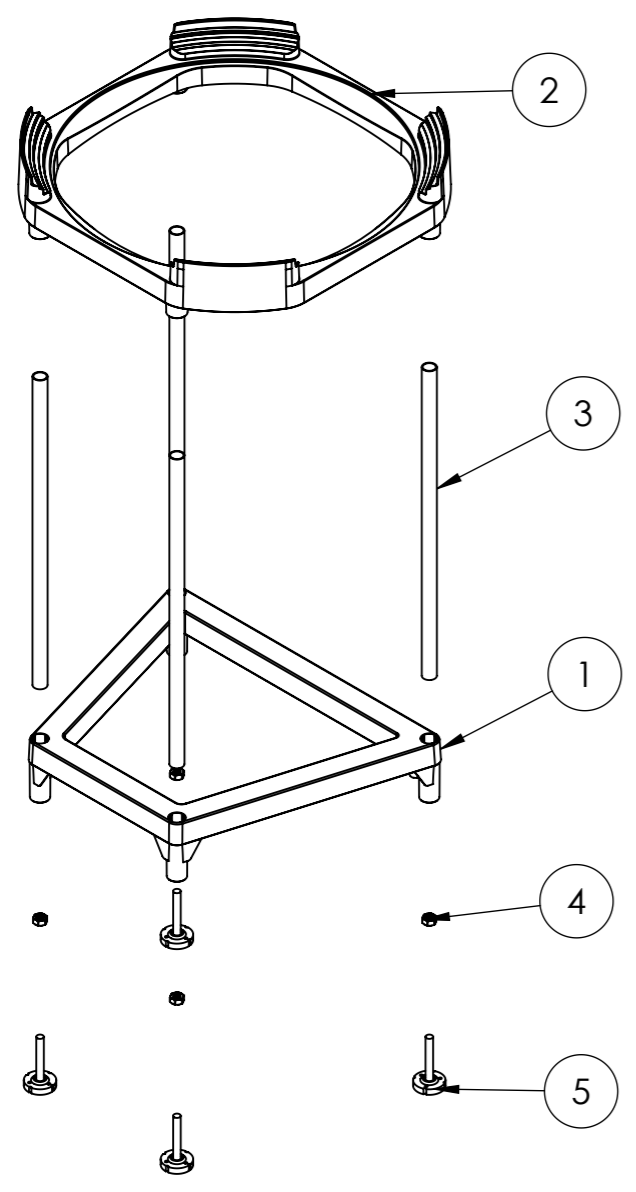


| CODE*   | DESCRIPTION**  | EAN 13        | VERSION |
|---------|--|---------------|---------|
| 3018082 | N SUPPORT 505-530-555-560 GSB<br>(Modèle sans pieds réglables)       | 5414849594005 | MODEL A |
| 3018067 | N TREPIED UNIVERSEL 505-530-555-560<br>(Modèle avec pieds réglables) | 5414849593992 | MODEL B |



| Num. articolo | Num. parte        | Descrizione                     | MODEL A | MODEL B |
|---------------|-------------------|---------------------------------|---------|---------|
| 1             | 72.0.0.3.00148.00 | SUPPORT ANNEAU INF              | 1       | 1       |
| 2             | 72.0.03.00147.01  | SUPPORT ANNEAU SUP              | 1       | 1       |
| 3             | 58.0.03.00002.00  | TUBE ALU. 20X1.2X500            | 4       | 4       |
| 4             | 00.0.0918041.01   | DADO M10                        | 0       | 4       |
| 5             | 78.0.08.00406.00  | Pied réglable                   | 0       | 4       |
| 6             | 42.0.06.05749.00  | ETICHETTA TRACCABILITÀ TREPIEDE | 1       | 1       |
| 7             | 44.0.05.01540.01  | BOITE CARTON SUPPORT TREPIED    | 1       | 1       |

|  |   |   |                  |                              |            |                  |
|--|---|---|------------------|------------------------------|------------|------------------|
| Modification description   |   | Designer  | ECN Modification | Date                         | Code       | RL               |
| Document code  | Precision level for dimensions without tolerance indications has to be:<br><input type="checkbox"/> FINE <input type="checkbox"/> MEDIUM <input checked="" type="checkbox"/> COARSE <input type="checkbox"/> VERY COARSE EN 22768 | ECN first creation                                |                  | Date                         | 19/10/2015 | Designer Sacconi |
| <input type="checkbox"/> F = 0 <input type="checkbox"/> P = 0 <input type="checkbox"/> S = 0                 |   | Drawing format                                    |                  | A3                           | Scale      | 1:10             |
| Conformity requirements see the document named "Product Conformity Requirements"                             |   | Material  |                  | //                           |            |                  |
|  |   | Treatment   |                  | //                           |            |                  |
|  |   | Finishing   |                  |                              |            |                  |
|  |   | Via A. Merloni 45<br>Fabriano (AN)<br>60044 Italy |                  | Description                  |            | Code             |
| <small>BY TERM LAWS WE RESERVE THE PROPERTY OF THIS DRAWING WITH PROHIBITION OF USE AND REPRODUCTION</small> |   |   |                  | Support for EWH Wall hung ** |            | see table *      |